



For service contact:

German Knife Inc.
1-800-500-3519
www.turboairinc.com

OWNER & OPERATOR INSTRUCTION MANUAL

Model No.

GBS-450S



IMPORTANT SAFETY NOTICE

To ensure safe and trouble free performance of you new German knife slicer, we suggest that all personnel who will use and maintain the slicer read and understand the manual before operating the equipment. Should there be any questions or if we can be of further assistance, please call us toll free at (800) 500-3519.

www.turboairinc.com

TABLE OF CONTENTS

	PAGE
LUBRICATION INSTRUCTION	3
FRAME PARTS	4
UPPER SAW WHEEL PARTS	5
LOWER SAW WHEEL PARTS	6
SAW GUIDE PARTS	7
DRIVE PARTS	8
FRONT SCRAPER PARTS	9
REAR SCRAPER PARTS	10
MEAT GAUGE PARTS	11
TABLE PARTS	12
ELECTRIC CURCUIT	13
WARRANTY INFORMATION	14

German Knife Industries

4184 E. Conant St., Long Beach, CA 90808

Phone : 800-500-3519

Fax : 310-900-1066

www.turboairinc.com

LUBRICATION INSTRUCTIONS

UPPER WHEEL :

2-4 strokes with grease gun every 30 days as needed

TENSION HANDLE :

Lubricate daily with edible oil while screwing in and out

UPPER BLADE GUIDE SUPPORT BAR :

Lubricate daily with food grade oil while moving up and down

MEAT CARRYING TABLE WHEELS :

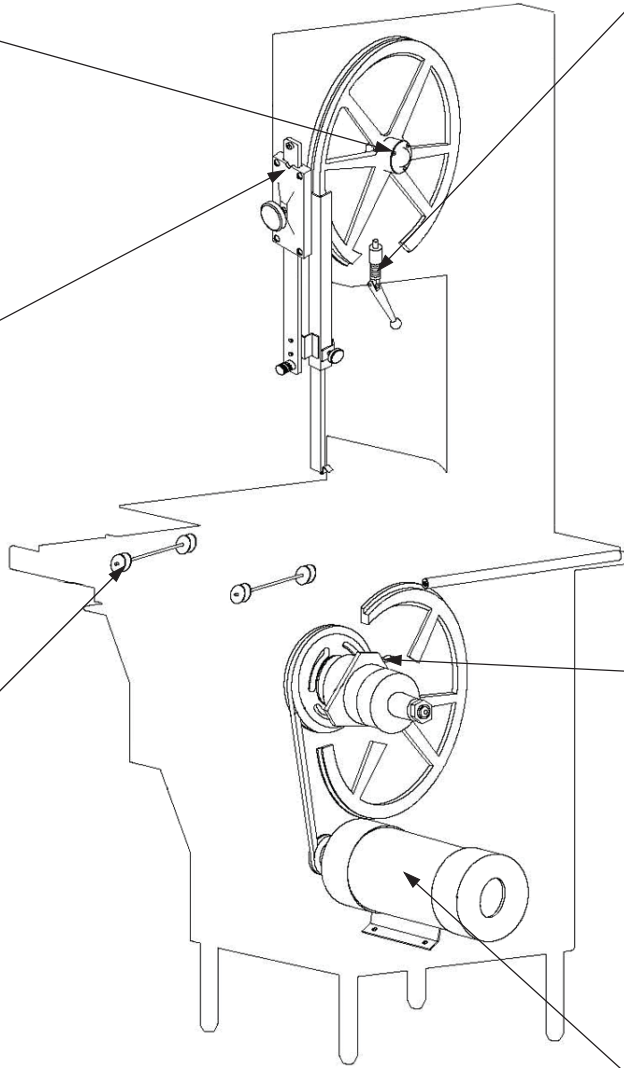
Lubricate daily with edible oil

LOWER WHEEL & BEARING HOUSING :

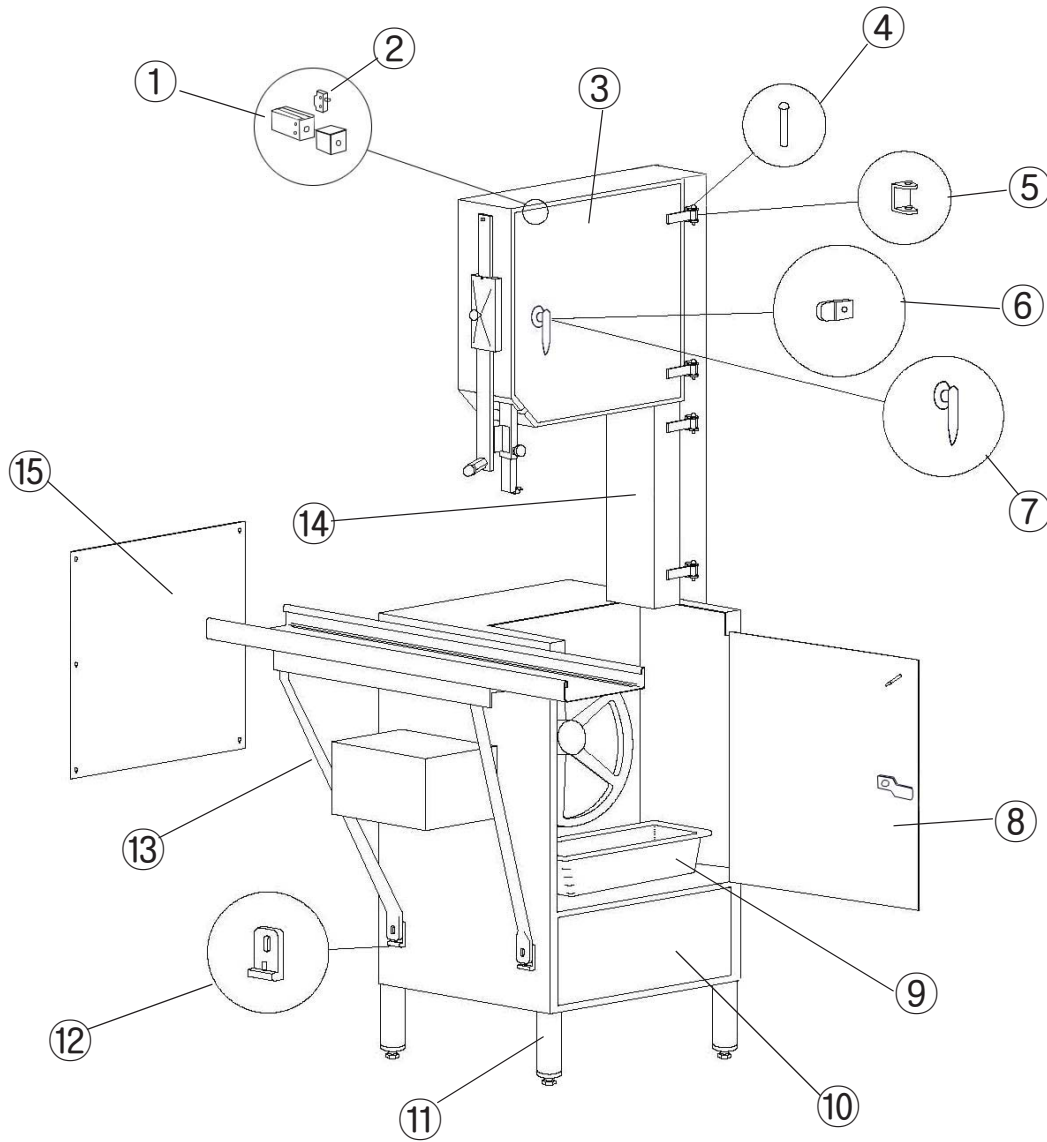
2-4 strokes with grease gun every 30 days as needed

MOTOR :

If equipped with grease fittings grease every six months with bearing grease

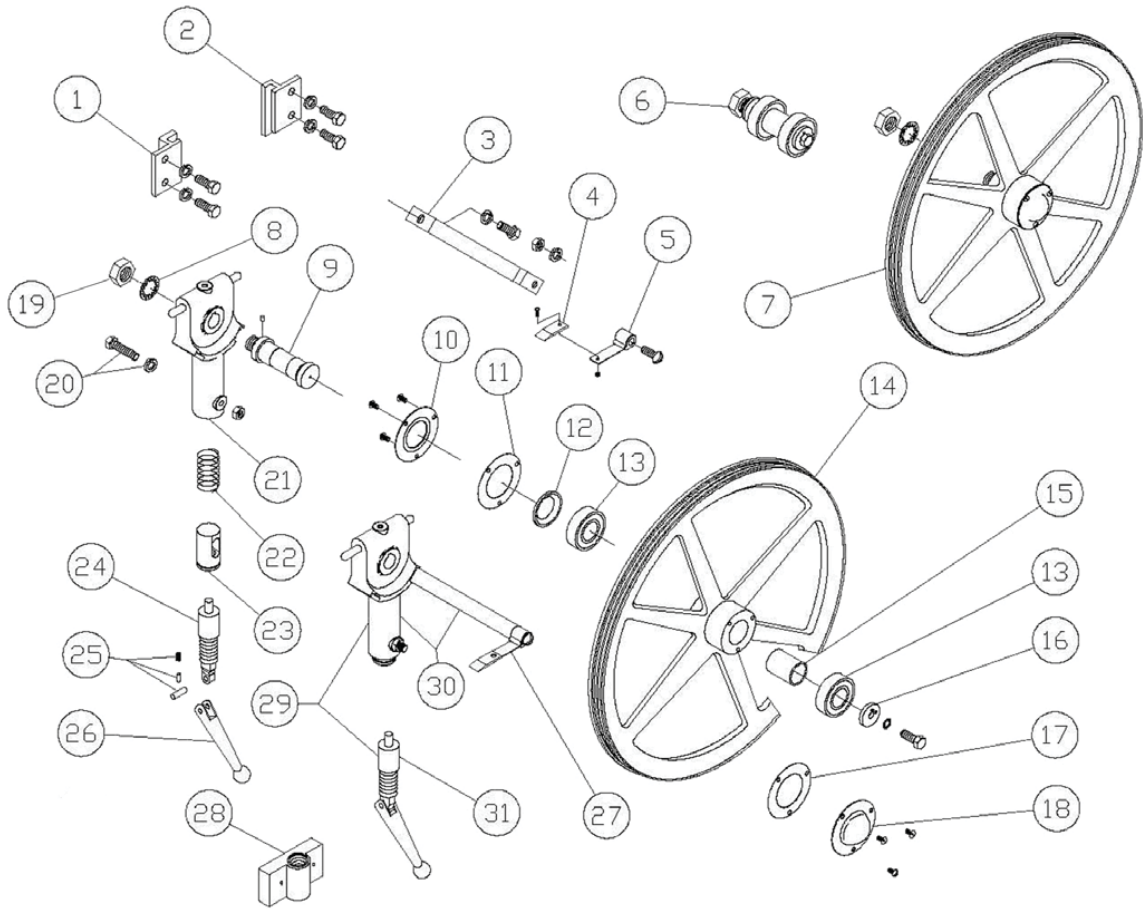


FRAME PARTS



ITEM	DESCRIPTION	PART NO.	USE	ITEM	DESCRIPTION	PART NO.	USE
1	Upper micro switch cover	301101	1	9	Scrap Box	301109	1
2	Micro switch	301102	2	10	Motor Access Panel	301110	2
3	Upper door	301103	1	11	Leg Assy	301111	4
4	Hinge Pin	301104	6	12	Brace Adjust Bracket	000219	2
5	Hinge	301105	6	13	Brace	301113	2
6	Door Latch	301106	2	14	Middle Door	301114	1
7	Door Handle	301107	2	15	Rear Cover	301115	1
8	Lower Door	301108	1				

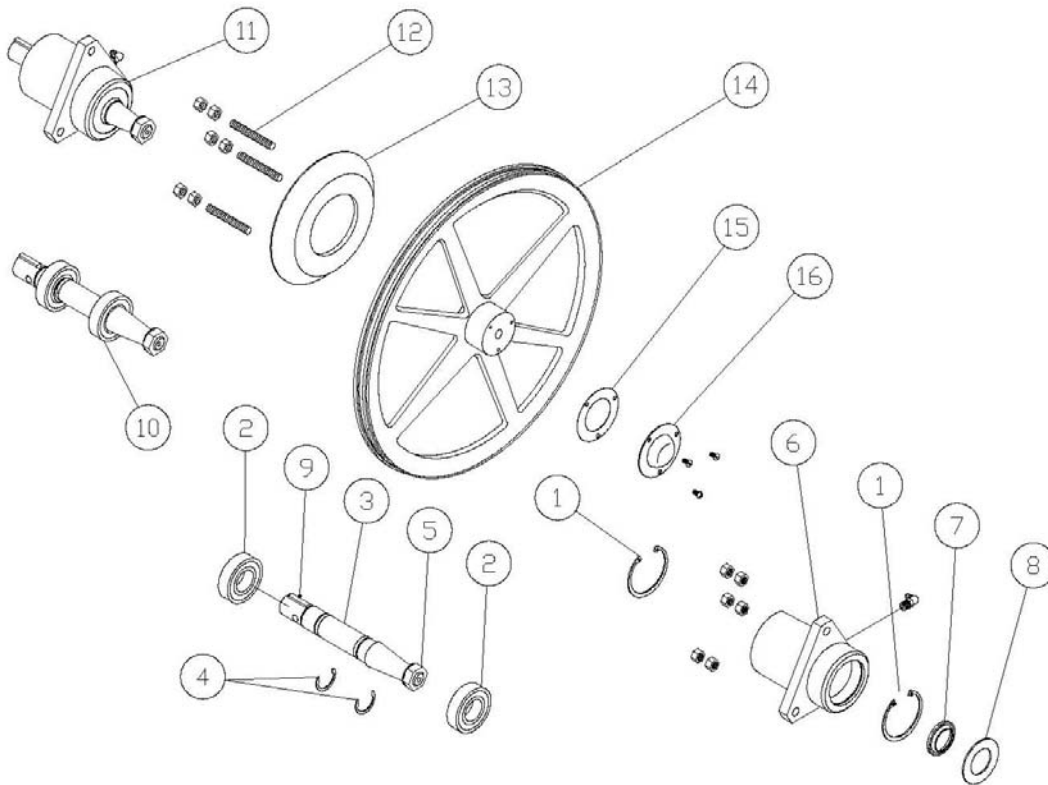
UPPER SAW WHEEL PARTS



ITEM	DESCRIPTION	PART NO.	USE	ITEM	DESCRIPTION	PART NO.	USE
1	Guide Block LH	000101	1	17	Gasket	301217	2
2	Guide Block RH	000102	1	18	Hub Cap	301218	1
3	Scraper Arm	301203	1	19	Upper Shaft Nut	301219	1
4	Fiber Scraper	301204	1	20	Adjusting Screw & Nut	301220	1
5	Scraper Spring	000132	1	21	Upper Hanger	000121	1
6	Upper Shaft & Bearing Assy	301206	1	22	Tension Spring	301222	1
7	16" Upper Wheel & Shaft Assy	301207	1	23	Indicator	301223	1
8	Washer	301208	1	24	Adjusting Screw	301224	1
9	Upper Shaft W/Nut & Washer	301209	1	25	Pins & Spring Assy	301225	1
10	Bearing Retainer	301210	1	26	Tension Handle	000126	1
11	Gasket	301211	2	27	Wheel Scraper Assy	301227	1
12	Rubber Seal	301212	1	28	Gauge Block	000128	1
13	Bearing	301213	2	29	Blade Tension Assy	301229	1
14	16" Upper Wheel	000114	1	30	Hanger & Arm Assy	301230	1
15	Bearing Spacer	301215	1	31	Tension Handle Assy	301231	1
16	Retainer & Screw Assy	301216	1				

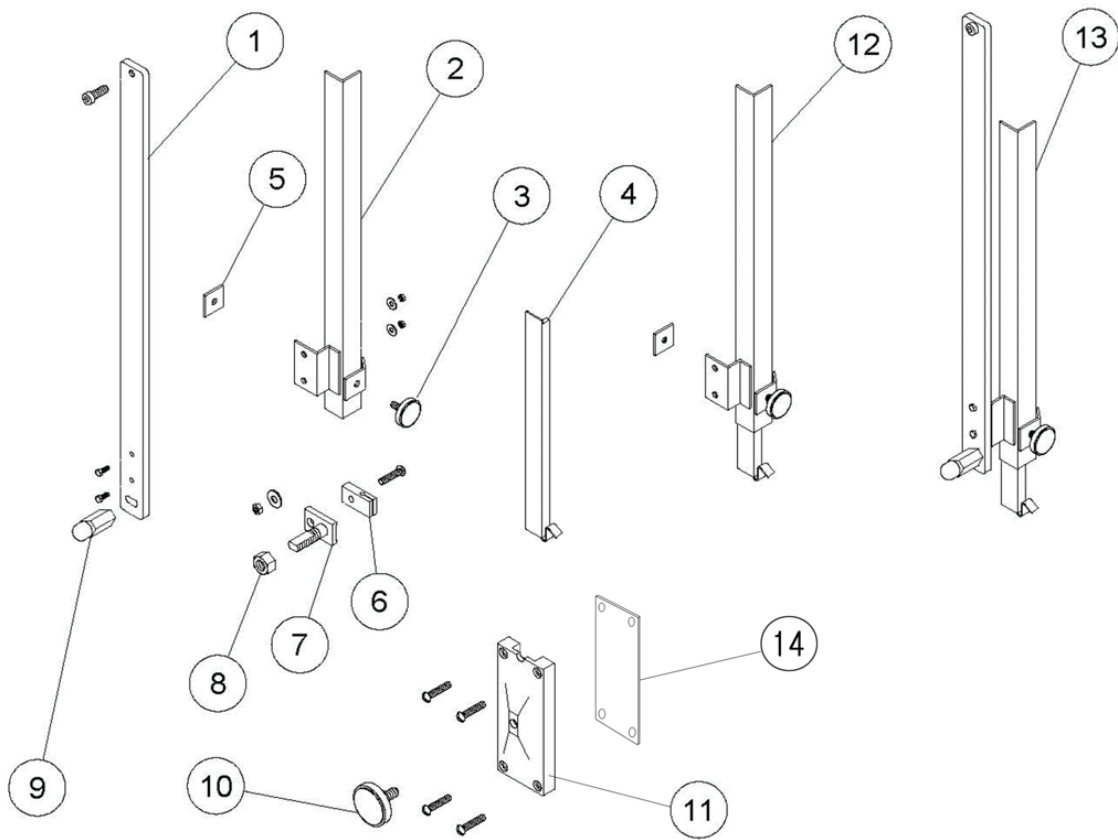


LOWER SAW WHEEL PARTS



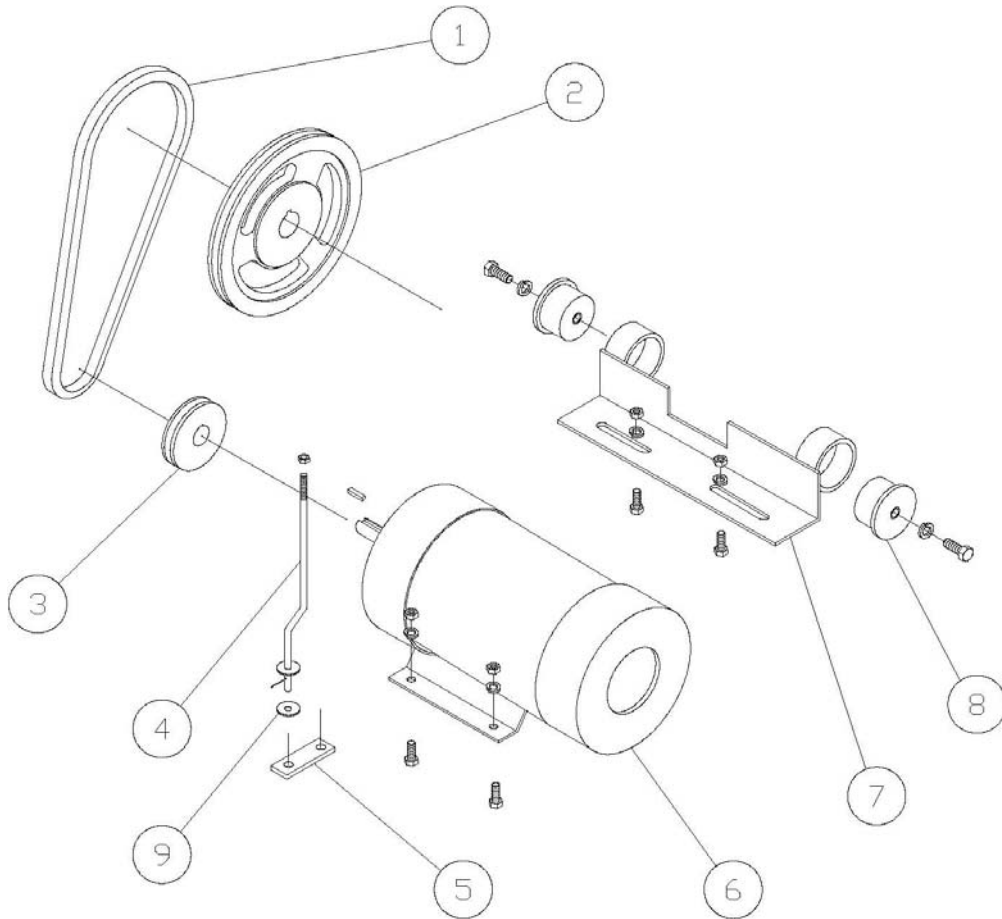
ITEM	DESCRIPTION	PART NO.	USE
1	Snap Ring	301301	2
2	Bearing	301213	2
3	Lower Wheel Shaft & Washer, Nut	301303	1
4	Snap Ring	301304	2
5	Nut & Washer	301305	1
6	Bearing Case	000138	1
7	Rubber Seal	301307	1
8	Special Washer	301308	1
9	Key	301309	1
10	Lower Shaft and Bearing Assy	301310	
11	Lower Bearing Case and Shaft Assy	301311	
12	Stud	301312	3
13	Bearing Case Support	301313	1
14	16" Lower Wheel	000145	1
15	Gasket	301211	1
16	Hub Cap	301218	1

SAW GUIDE PARTS



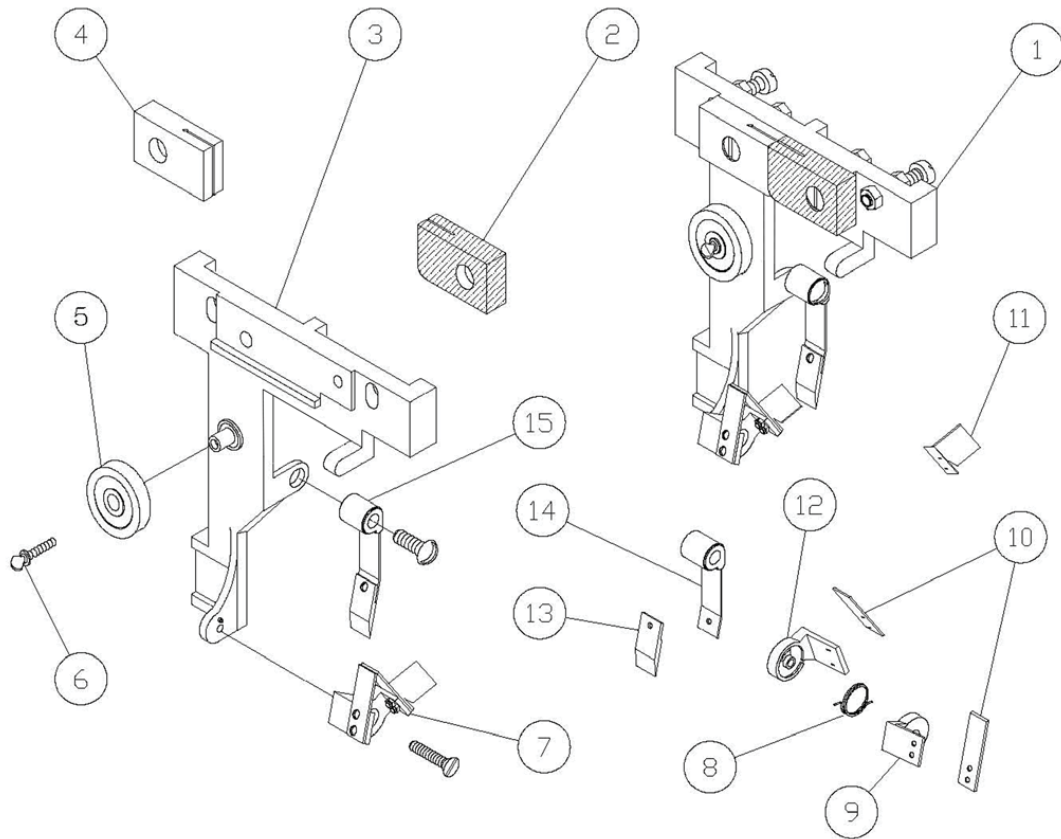
ITEM	DESCRIPTION	PART NO.	USE
1	Blade Support Adj. Bar	301401	1
2	Blade Guard Assy. Rh	301402	1
3	Knob	301403	1
4	Blade Guard Extension Rh	301404	1
5	Extension Stop	301405	1
6	Blade Guide	301406	1
7	Holder	000152	1
8	Lock Nut	301408	1
9	Hand Grip Hex Nut	000154	1
10	Knob	301410	1
11	Blade Support Bar Guide	000157	1
12	Blade Guard Assy. W/Ext-Rh	301412	1
13	Blade Guard Assy. W/Ext & Adj. Bar	301413	1
14	Blade Support Bar Guide Spacer	301414	1

DRIVE PARTS



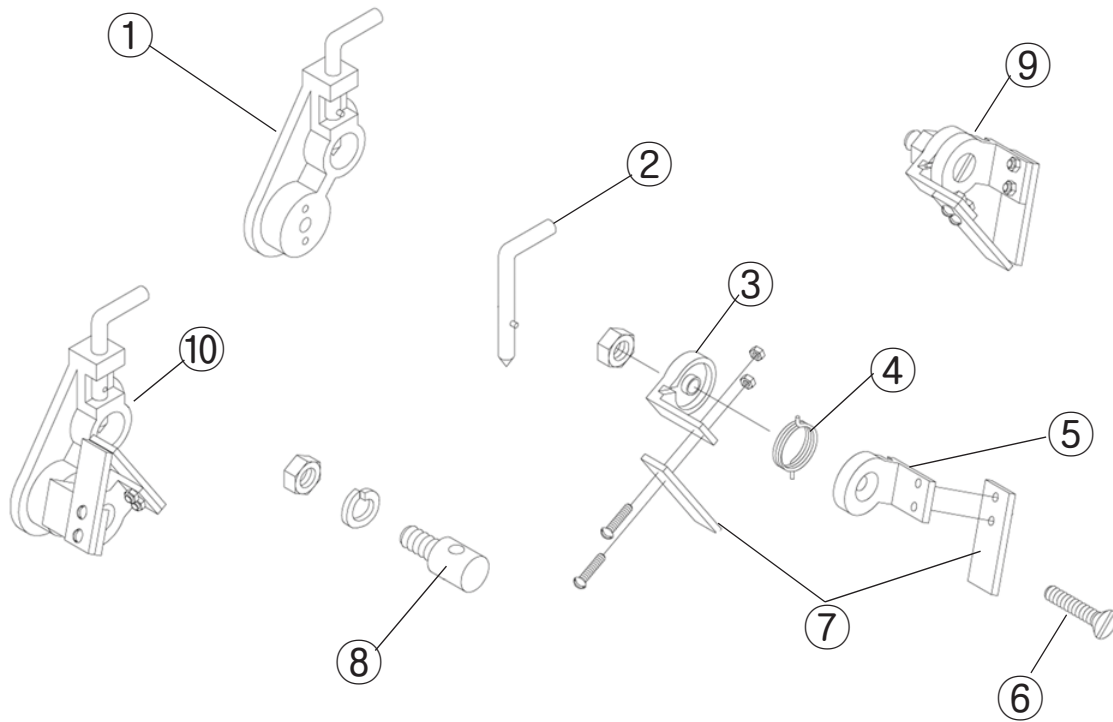
ITEM	DESCRIPTION	PART NO.	USE
1	V-Belt	301501	1
2	Driven Pulley(8.5")	301502	1
3	Motor Pulley(Standard)	301503	1
	Motor Pulley(High Speed)	301503	
4	Torque Rod Assy	301504	1
5	Torque Bracket	301505	1
6	Motor(3HP)	301506	1
7	Motor Mount Assy	301507	1
8	Rubber Mount Assy	301508	2
9	Rubber Washer	301509	1

FRONT SCRAPER PARTS



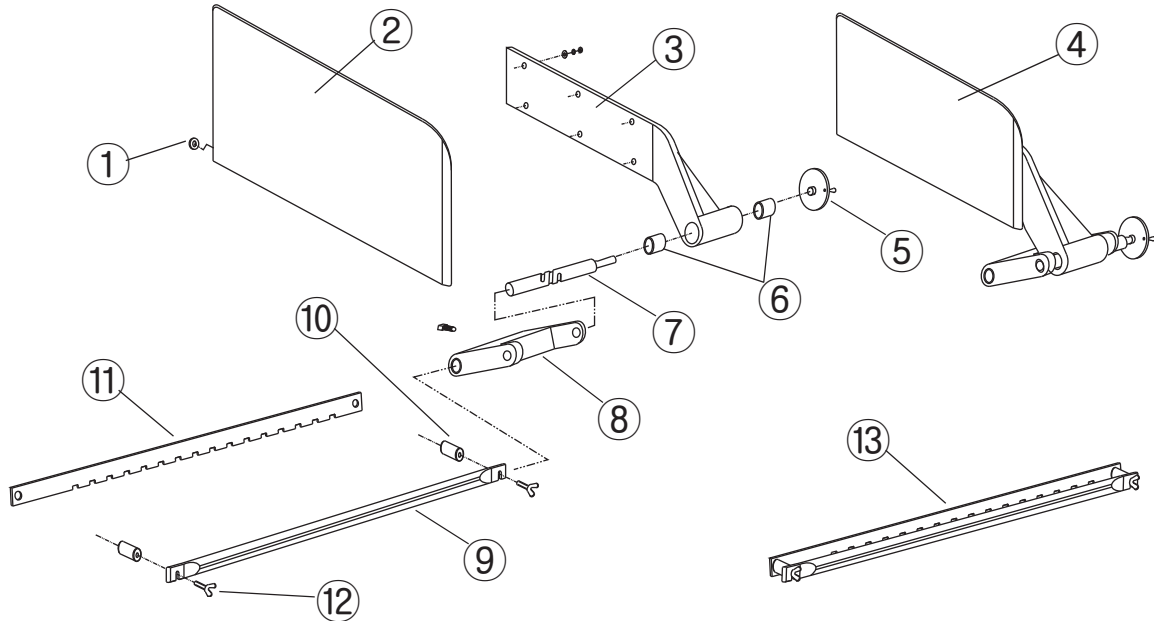
ITEM	DESCRIPTION	PART NO.	USE
1	Front Scraper Assy	301601	1
2	Fiber Blade Block	301602	1
3	Scraper & Roller Mount	000170	1
4	Lower Blade Guide	301604	1
5	Back-Up Bearing	301605	1
6	Bolt	301606	1
7	Blade Scraper Assy	301607	1
8	Spring	301608	1
9	Lh Scraper Holder	000176	1
10	Scraper - Stainless Steel	301610	2
11	Deflector	301611	1
12	Rh Scraper Holder	000179	1
13	Fiber Wheel Scraper	301613	1
14	Scraper Spring	000132	1
15	Wheel Scraper Assy	301227	1

REAR SCRAPER PARTS



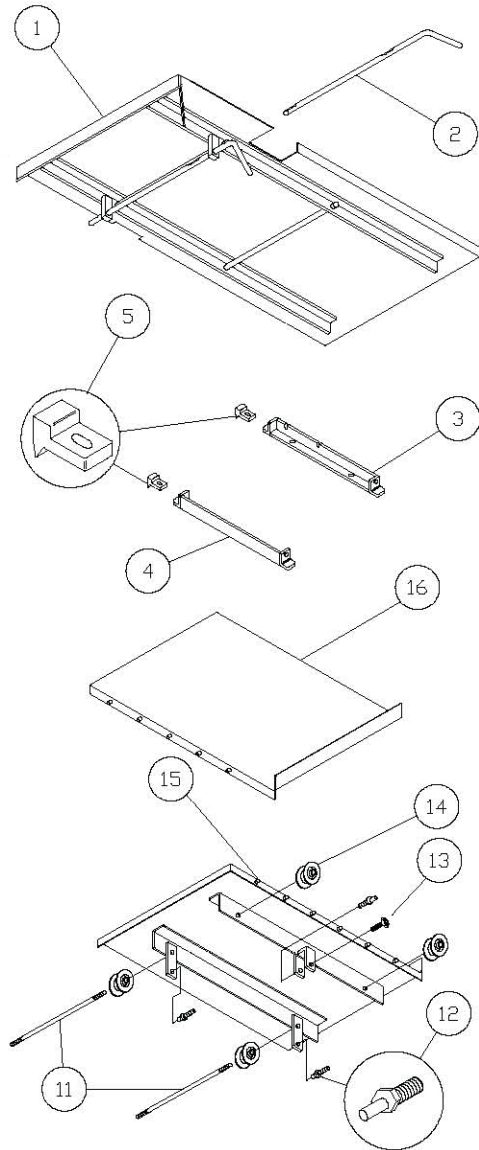
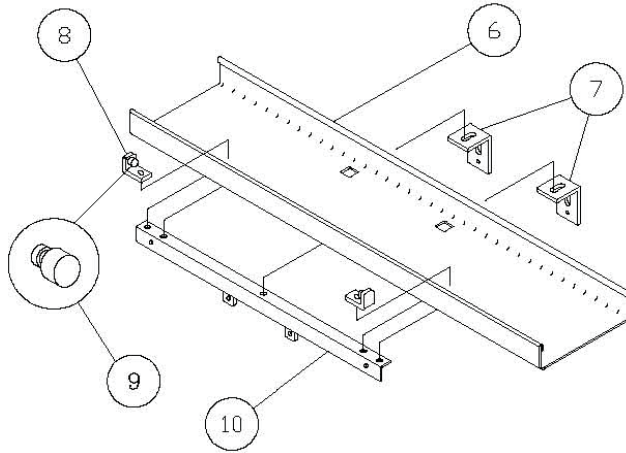
ITEM	DESCRIPTION	PART NO.	USE
1	Scrapper Mount & Lock	300405	1
2	Lock Pin	301702	1
3	Rh Scrapper Holder	000179	1
4	Spring	301608	1
5	Lh Scrapper Holder	000176	1
6	Bolt & Nut	301706	1
7	Fiber Scrapper	301707	2
8	Holding Stud	301708	1
9	Blade Scrapper Assy	301607	1
10	Scrapper Assy	301710	1

MEAT GAUGE PARTS



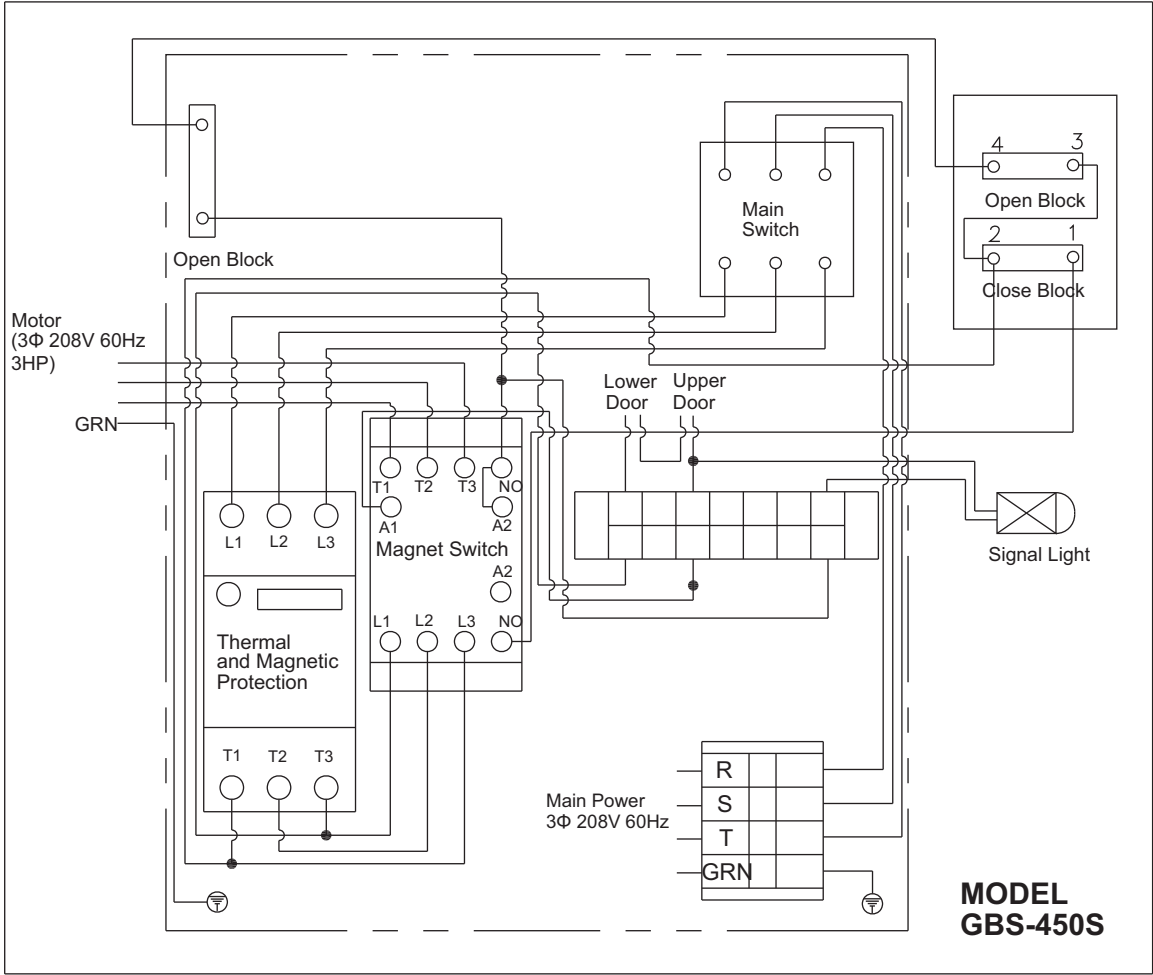
ITEM	DESCRIPTION	PART NO.	USE
1	Thickness Gauge Roller	301801	1
2	Thickness Gauge Plate	301802	1
3	Thickness Gauge Arm	301803	1
4	Thickness Gauge Arm Assy	301804	1
5	Handle Assy	301805	1
6	Bushing	301806	4
7	Gauge Spindle	301807	1
8	Thickness Gauge Slide Bracket	301808	1
9	Thickness Gauge Slide Lod	301809	1
10	Slide Lod Bracket	301810	2
11	Gauge Latch Lock	301811	1
12	Wing Bolt	301812	2
13	Slide Lod Assy	301813	1

TABLE PARTS



ITEM	DESCRIPTION	PART NO.	USE
1	Stationary Table Assy	301901	1
2	Table Lock Lever	301902	1
3	Front Table Support	301903	1
4	Rear Table Support	301904	1
5	Lever Adjusting Lock	301905	2
6	Table Track	301906	1
7	Table Track Support	301907	2
8	Stop Bracket Assy	301908	2
9	Rubber Stopper	301909	2
10	Angle Support Assy	301910	1
11	Table Wheel Axel	301911	2
12	Table Holding Pin	301912	3
13	Table Stop Handle	301913	1
14	Table Rolling Wheel	301914	4
15	Table Button	301915	6
16	Roller Table Assy	301916	1

ELECTRIC CURCUIT



LIMITED WARRANTY

Warranty Claims...

All Claims for parts or labor must be made directly through German Knife or Radiance. All claims should include the model number, serial number, proof of purchase, date of installation and all pertinent information supporting the alleged defect. All warranty claims must be authorized by German Knife or Radiance prior to the purchase of parts or labor. Failure to comply with these warranty policies will result in the voiding of warranty claims.

Products Under Warranty...

Radiance warrants all heavy duty microwaves to include all new parts and components to be free from defects in material or workmanship under normal and proper use and maintenance service as specified by Radiance upon proper commercial installation. Radiance's obligation under this warranty is limited to a period of three (3) years from the date of original purchase. Any Part covered under this warranty that is found by Radiance to have been defective within 3 years of the original purchase is limited to the repair or replacement, including labor charges, of defective parts or assemblies. The labor charges shall include standard straight time labor charges only and reasonable travel time as determined by Radiance.

Radiance warrants all gas cooking equipment and microwave models TMW-1100MR and TMW-1100ER and German Knife warrants all light duty meat slicers to include all new parts and components to be free from defects in material or workmanship under normal and proper use and maintenance service as specified by German Knife upon proper commercial installation. German Knife's obligation under this warranty is limited to a period of one (1) year from the date of original purchase. Any Part covered under this warranty that is found by German Knife to have been defective within 1 year of the original purchase is limited to the repair or replacement, including labor charges, of defective parts or assemblies. The labor charges shall include standard straight time labor charges only and reasonable travel time as determined by German Knife.

German Knife warrants all heavy duty meat slicers, meat grinders, and meat saws to include all new parts and components to be free from defects in material or workmanship under normal and proper use and maintenance service as specified by German Knife upon proper commercial installation. German Knife's obligation under this warranty is limited to a period of two (2) years from the date of original purchase. Any Part covered under this warranty that is found by German Knife to have been defective within 2 years of the original purchase is limited to the repair or replacement, including labor charges, of defective parts or assemblies. The labor charges shall include standard straight time labor charges only and reasonable travel time as determined by German Knife.

What is Not Covered by This Warranty...

German Knife's sole obligation under this warranty is limited to either repair or replacement of parts, subject to the additional limitations below. This warranty neither assumes nor authorizes any person to assume obligations other than those expressly covered by this warranty.

No consequential damages. Radiance is not responsible for economic loss; profit loss; or special, indirect, or consequential damages. Warranty is not transferable, this warranty is not assignable and applies only in favor of the original purchaser/user to whom delivered. Any such assignment or transfer shall void the warranties herein and shall void all warranties, express or implied, including any warranty of merchantability or labor coverage for component failure or other warranty packet provided with the unit.

Alteration, neglect, abuse, misuse, accident, damage during transit or installation, fire, flood, acts of god. German Knife is not responsible for the repair or replacement of any parts that radiance determines have been subjected after the date of manufacture to alteration, neglect, abuse, misuse, accident, damage during transit or installation, fire, flood, or act of god. Improper electrical connections. German Knife is not responsible for the repair or replacement of failed or damaged components resulting from electrical power failure, the use of extension cords, low voltage, or voltage drops to the unit. No implied warranty of merchantability or fitness for a particular purpose; there are no other warranties, expressed, implied or statutory, except the warranties expressly granted above. These warranties are exclusive and in lieu of all other warranties, including implied warranty and merchantability or fitness for a particular purpose. There are no warranties, which extend beyond the description on the face hereof.

Outside U.S. and Canada; this warranty does not apply to, and radiance is not responsible for, any warranty claims made on products sold or used outside the continent of the United States and Canada.