

PHARMACY REFRIGERATOR
RÉFRIGÉRATEUR PHARMACEUTIQUE

Models/Modèles: ACR1717 series



Instruction Manual
Mode d'emploi

BEFORE USE, PLEASE READ AND FOLLOW ALL SAFETY RULES AND OPERATING INSTRUCTIONS.

AVANT UTILISATION, VEUILLEZ S'IL VOUS PLAÎT LIRE ET SUIVRE TOUTES LES RÈGLES DE SÉCURITÉ ET LES INSTRUCTIONS DE FONCTIONNEMENT.

Write Serial No. (on back of unit) here:
Ecrire N ° de série (à l'arrière de l'appareil) ici:

FELIX STORCH, INC.
Summit Appliance Division
770 Garrison Avenue
Bronx, NY 10474
www.summitappliance.com

ACCUCOLD® is a division of Summit Appliance
ACCUCOLD® est une division de Summit Appliance.

TABLE OF CONTENTS

Appliance Safety	3
Important Safeguards	3 - 4
Special Cautions	5
Location of Parts	6
Handling & Transport	6
Unit Review & Inspection	7
Installation Instructions	7 - 9
Location	7
Installing Shelves	8
Electrical System	8 - 9
Operation	9 - 10
Compressor	9
Temperature Control	10
Alarm Settings	10
Energy-Saving Mode	10
Lighting	10
User Maintenance	11 - 12
Cabinet Cleaning	11
Condenser Cleaning	11
Care of the Alarm/Thermometer	11
Cleaning the Compressor/Fan Compartment	12
Defrosting	12
Security Lock	12
Energy-Saving Tips	12
Troubleshooting	14
Limited Warranty	15
French version of this manual	15 - 28

APPLIANCE SAFETY

Your safety and the safety of others are very important.

We have provided many important safety messages in this manual and on your appliance. Always read and obey all safety messages.



This is the Safety Alert Symbol. The symbol alerts you to potential hazards that can kill or injure you and others. All safety messages will follow the Safety Alert Symbol and either the words "DANGER" or "WARNING".



Danger means that failure to heed this safety statement may result in severe personal injury or death.



Warning means that failure to heed this safety statement may result in extensive product damage, serious personal injury, or death.

All safety messages will alert you about the potential hazard, tell you how to reduce the chance of injury, and let you know what can happen if the instructions are not followed.

IMPORTANT SAFEGUARDS



Before the appliance is used, it must be properly positioned and installed as described in this manual, so read the manual carefully. To reduce the risk of fire, electrical shock or injury when using the appliance, follow basic precautions, including the following:



- Plug into a grounded 3-prong outlet, do not remove grounding prong, do not use an adapter, and do not use an extension cord.
- Replace all panels before operating.
- It is recommended that a separate circuit serving only your appliance be provided. Use receptacles that cannot be turned off by a switch or pull chain.
- Never clean appliance parts with flammable fluids. These fumes can create a fire hazard or explosion. And do not store or use gasoline or other flammable vapors and liquids in the vicinity of this or any other appliance. The fumes can create a fire hazard or explosion.
- Before proceeding with cleaning and maintenance operations, make sure the power line of the unit is disconnected.
- Do not connect or disconnect the electric plug when your hands are wet.

- Unplug the appliance or disconnect power before cleaning or servicing. Failure to do so can result in electrical shock or death.
- Do not attempt to repair or replace any part of your appliance unless it is specifically recommended in this manual. All other servicing should be referred to a qualified technician.

WARNING

FOLLOW WARNING CALLOUTS BELOW ONLY WHEN APPLICABLE TO YOUR MODEL

- Use two or more people to move and install appliance. Failure to do so can result in back or other injury.
- To ensure proper ventilation for your appliance, the front of the unit must be completely unobstructed. Choose a well-ventilated area with temperatures above 60°F (16°C) and below 80.6°F (27°C). This unit must be installed in an area protected from the elements, such as wind, rain, water spray or drips.
- The appliance should not be located next to ovens, grills or other sources of high heat.
- The appliance must be installed with all electrical, water and drain connections in accordance with state and local codes. A standard electrical supply (115 V AC only, 60 Hz), properly grounded in accordance with the National Electrical Code and local codes and ordinances, is required.
- Do not place chemical substances (solvents, reagents) or food in this refrigerator. This equipment is intended for the storage and display of vaccines, pharmaceuticals and other specimens requiring refrigeration at precise temperatures.
- Do not kink or pinch the power supply cord of the appliance.
- The size of the fuse (or circuit breaker) should be 15 amperes.
- It is important that the appliance be leveled in order to work properly. You may need to make several adjustments to level it.
- All installations must be in accordance with local plumbing code requirements.
- Make certain that the pipes are not pinched, kinked or damaged during installation.
- Check for leaks after connection.
- Never allow children to operate, play with or crawl inside the appliance.
- Do not use solvent-based cleaning agents or abrasives on the interior. These cleaners may damage or discolor the interior.
- Use this appliance only for its intended purpose as described in this *Instruction Manual*.
- Keep fingers out of the “pinch point” areas. Clearances between the door and cabinet are necessarily small. Be careful closing doors when children are in the area.

DANGER

Risk of child entrapment!

Child entrapment and suffocation are not problems of the past. Junked or abandoned appliances are still dangerous, even if they will “just sit in the garage a few days”.

Before discarding your old refrigerator:

- *Take off the doors*
- *Leave the shelves in place so that children may not easily climb inside.*

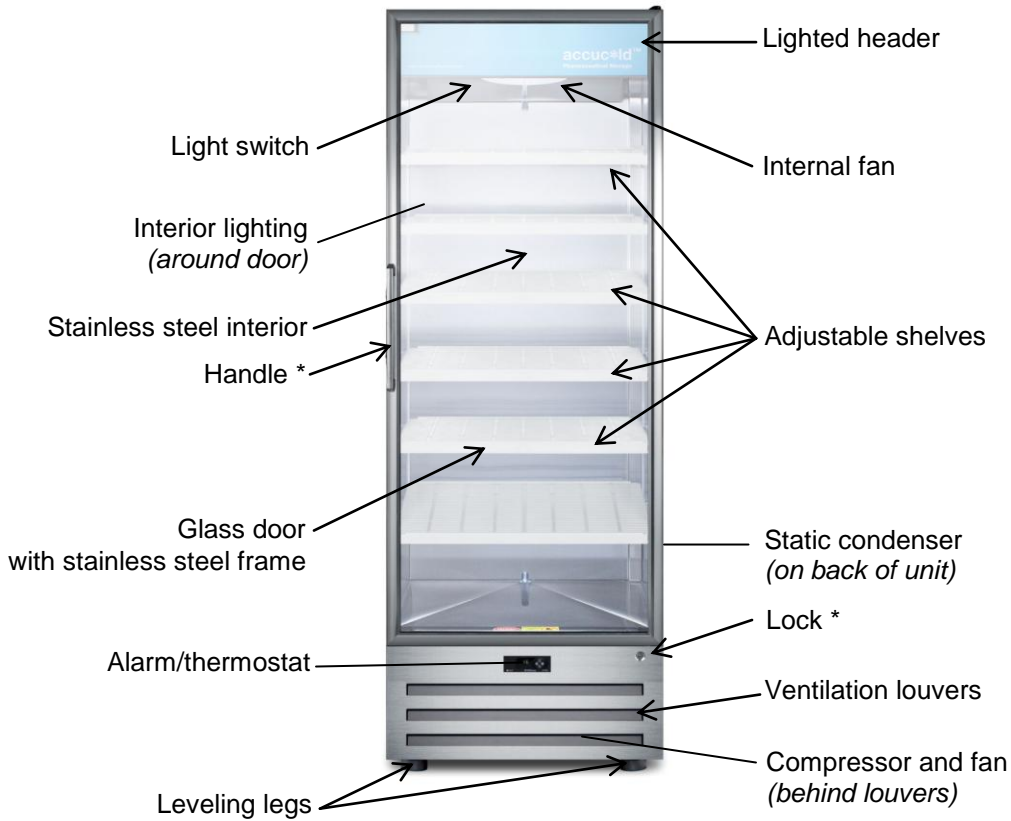
- SAVE THESE INSTRUCTIONS -

SPECIAL CAUTIONS

- **DO NOT** step on the front louver panel of your unit or use it as a step.
- **ONLY** use polarized plugs to plug in your unit.
- **DO NOT CUT OR REMOVE** the ground connection on the electrical cable.
- **CHECK** that the electrical system is grounded **BEFORE** plugging in refrigerator for the first time.
- The polyurethane in your unit contains cyclopentane gas as a foaming agent. When repairing, **DO NOT** use other types of polyurethane or mix the existing polyurethane with other types. SUMMIT is not responsible for changes in the refrigerator if repairs are made by the user or unauthorized technicians. Contact an authorized distributor for repair information.
- **DO NOT** place hands or other objects in the front louvers, rear grating or the fan guard while in operation. This can cause personal injury and/or damage the unit.
- **BEFORE** removing the front louver panel for maintenance and cleaning, **DISCONNECT** the unit's power supply to avoid accidents which may be caused by the oscillation of the blade of the fan motor.
- **KEEP HANDS AWAY** from door pivot when door is open.
- Before loading refrigerator, **CHECK** that shelves are fixed and have the number of supports indicated for your model in the *Instruction Manual*.
- **CHECK** that the front louver panel and rear grating are in place before plugging in unit.
- **DO NOT** place chemical substances (solvents, reagents) or food in this refrigerator. This equipment is intended for the storage and display of vaccines, pharmaceuticals and other specimens requiring refrigeration at precise temperatures.
- This equipment is intended to be located in a **PHARMACY**. The floor under the unit must be kept clean.
- **DO NOT** balance or tip unit at more than a 45° angle without the supervision of authorized personnel. Severe injury can occur.
- **DO NOT** try to repair unit by yourself. Always consult your authorized distributor for service.
- **BEFORE** reporting a problem with your ACCUCOLD® refrigerator, check the plug and fuses or circuit breaker. If this is not the cause of the problem, call your distributor immediately so a technician can be sent.
- The unit's cooling capacity will decrease if:
 - It is open for long periods,
 - Excessive amounts of product are stored in it.

THIS WILL OVERLOAD UNIT AND INCREASE MALFUNCTION RISK.

LOCATION OF PARTS

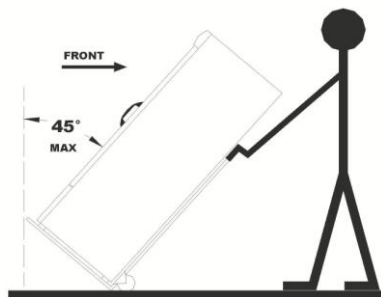


Model descriptions:
 ACR1717LH – left-hand door opening
 ACR1717RH – right-hand door opening

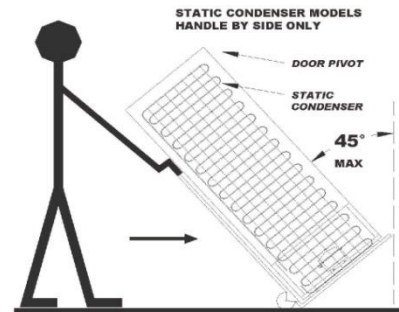
* Handle and position of lock are subject to change.

HANDLING & TRANSPORT

DO NOT MOVE UNIT WITH PRODUCT INSIDE as loose product can break, spill, damage the appliance, etc.



DO NOT TIP UNIT AT MORE THAN A 45° ANGLE. DO NOT EXPOSE TO SUNLIGHT OR STORE AT TEMPERATURES HIGHER THAN 131°F (55°C).



WHEN HANDLING STATIC CONDENSER MODELS SUCH AS THIS, MAKE SURE THAT DOOR PIVOT IS LOCATED AS SHOWN IN FIGURE ABOVE.

UNIT REVIEW & INSPECTION

This refrigerator was completely inspected before leaving the factory. Check for signs of damage when the unit is received. If there is any damage, contact your authorized distributor or manufacturer immediately. Check that the following accessories are included with your refrigerator:

- 6 plastic (polycarbonate) shelves (packed in plastic wrap inside unit cabinet)
- 24 shelf clips (packed separately in a plastic bag inside the cabinet)

INSTALLATION INSTRUCTIONS

This model is designed for interior use at a maximum operation temperature of 80.6°F (27°C) and 55% humidity. It is meant to be free-standing and not built into an enclosure.

Do not place the unit near heat sources such as stoves, grills, radiators, etc. and do not place in areas where direct sunlight may reach the unit.

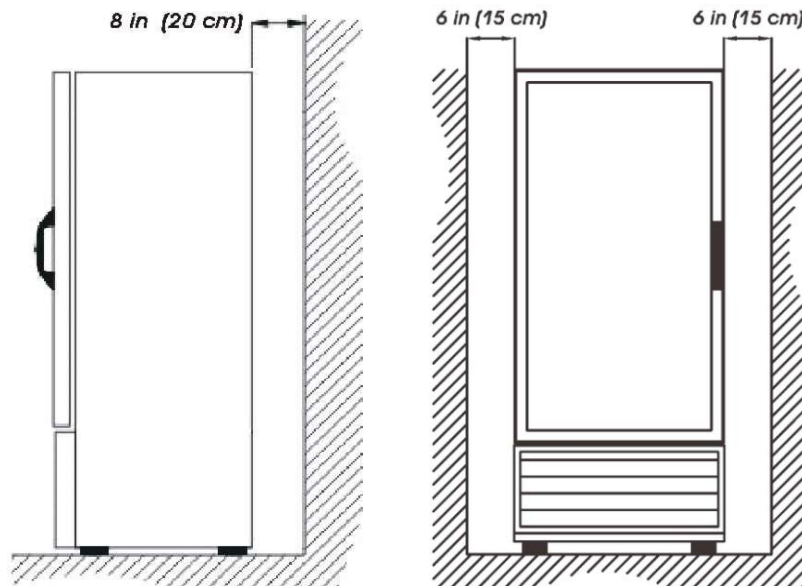
CAUTION: This appliance is designed for storing and cooling pharmaceuticals, vaccines and other medical specimens. Do not use it to store perishable food or chemical substances like solvents and reagents.

LOCATION

It is recommended that the rear portion and both sides of your refrigerator be at least 8 inches and 6 inches from the wall respectively, to allow air flow to the compressor and improve heat transfer.

Place your refrigerator on a level surface.

Minimum Distances



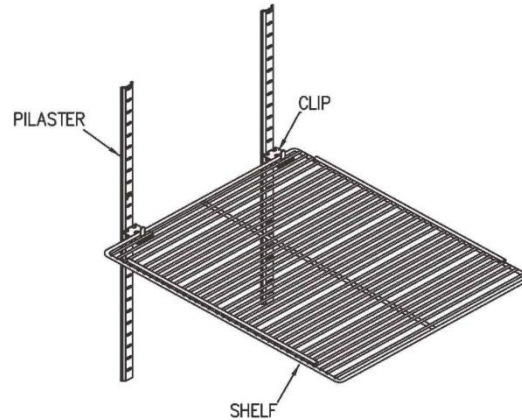
Once the unit is installed, check that it is level. If necessary, use the two front legs to adjust the height of the unit.

CAUTION: After unpacking you **MUST** allow this appliance to stand upright for at least 2 hours to allow the lubricant and refrigerant to drain back into the compressor and stabilize. Failure to do so may adversely affect performance and the lifetime of this unit.

INSTALLING SHELVES

Your refrigerator contains 6 polycarbonate plastic shelves and 24 shelf clips.

To install shelves, first place the shelf clips in the slots in the pilasters in the cabinet interior. Use the numbers on the pilasters as a guide in placing the clips at the same distance from the cabinet floor, with the tab pointing up as shown. Once all clips are in place, install the shelves by placing them on the clips, with the outside bar of the shelf on the inside of the clip tabs. Keep all stored items inside the limits of the shelves. These allow airflow and should not be blocked when product is stocked in the unit.



CAUTION: DO NOT STOCK PRODUCT UNTIL SHELVES ARE CORRECTLY INSTALLED IN THE UNIT WITH SHELF CLIPS.



IMPORTANT: TO AVOID ACCIDENTS WHEN CLEANING INSIDE OF UNIT, FIRST REMOVE SHELVES AND SHELF CLIPS.

ELECTRICAL SYSTEM

Proper electrical installation is required for your refrigerator to function correctly and to prolong the useful life of electrical parts and compressor.



BEFORE CONNECTING UNIT FOR FIRST TIME:

Verify that line voltage does not fluctuate more than 10% above the nominal value of 115 V, 60 Hz.

DO NOT use extension cords.

DO NOT connect refrigerator to multiple plugs or plugs with another appliance connected.

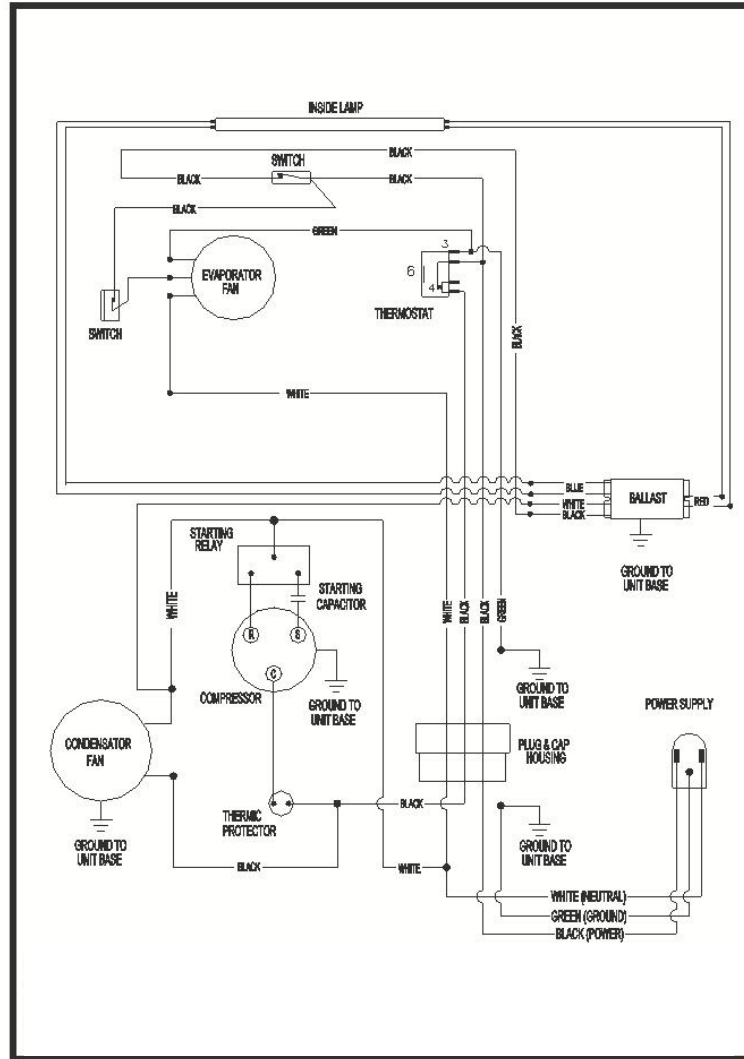
The unit **MUST** be plugged into a grounded socket.



IMPORTANT:

- Do not try to repair any portion of the electrical system yourself. Contact the nearest authorized service center.
- The unit must be grounded.
- Ignoring any of the precautions in this manual invalidates the Warranty.
- The unit must be connected to a circuit breaker with a 15-ampere fuse and installed with a minimum 14-caliber wire.


Wiring Diagram
for ACR1717 models:




OPERATION

COMPRESSOR

The compressor in your ACCUCOLD® refrigerator is designed to function silently. **DO NOT** plug in the unit immediately after moving it or changing its position. Allow a minimum of 2 hours for the pressures inside the refrigeration system to equalize and the oils in the compressor to settle. After plugging the unit in, let it run for one more hour without load or product. The refrigerator may then be loaded.



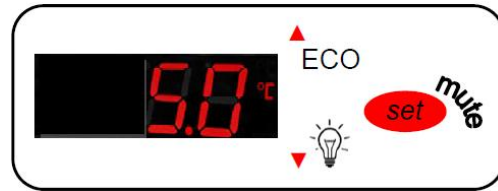
DO NOT TOUCH THE COMPRESSOR TOP COVER while unit is running. It is designed for high operational temperatures and its surface can become very hot, which may cause burns. (The compressor is located at the bottom of the refrigerator, behind the front louvers.)





TEMPERATURE CONTROL

The temperature is controlled by a thermostat which is located above the front ventilation louvers, just below the door. The thermostat is factory-set to maintain the internal temperature between 2 and 8°C (35.6 and 46.4°F). The thermostat normally displays the temperature inside the cabinet. The default setting is 2°C.



Face of alarm/thermostat

To change the set temperature,

1. Press and hold the **set** button for 5 seconds until “0” appears on the screen.
2. Release the button and press it again to confirm the “0” command.
3. Press the **UP** or **DOWN** buttons until you see the parameter “St” on the screen.
4. Press the **set** button again to enter that parameter.
5. With the **UP** and **DOWN** buttons choose the desired operating temperature. (NOTE: Only temperatures from 2 to 8°C are permitted.)
6. Press **set** again to confirm the temperature.
7. Wait 1 minute without touching any button while the unit accepts the changes. It will then start running normally.

ALARM SETTINGS

Your refrigerator is designed to sound an alarm if the internal temperature rises above 15°C or falls below 0°C. If you wish to change these settings, call our Customer Service Line at **1-800-932-4267**.

An alarm will also sound if the door is left open for more than 2 minutes.

To stop an alarm when it is sounding, press the **set/mute** button on the thermostat.

ENERGY-SAVING MODE

To save energy by limiting the length of operation time of the fan motors and compressor and by turning off the interior light, you can put the refrigerator into **Energy-Saving mode** by pressing the **UP arrow (ECO)** for 3 seconds. The display will show “EnS” when this mode is active. To deactivate the **Energy-Saving mode**, press the **UP arrow** again and hold it for at least 3 seconds.

LIGHTING

LED lighting surrounds the glass on the interior side of the door. Additionally, the header panel above the door is backlit.

Cabinet lighting is designed to function continuously or may be controlled with a switch, located inside the unit to the left of the internal fan in the ceiling. See Wiring Diagram, page 9. Putting the refrigerator into **Energy-Saving mode** (see section above) will also turn off the interior lighting.

NOTES:

- If the unit is unplugged, or power is lost or turned off, you must wait 3 to 5 minutes before restarting the unit. If you attempt to restart before this time delay, the unit will not start.
- When you use the unit for the first time or restart the unit after it has been shut off for a long time, allow a few hours for the interior temperature to normalize.

USER MAINTENANCE

For better performance and user convenience, this refrigerator has been designed to function with the least possible maintenance and to provide optimal energy consumption and serviceability. It is recommended, however, that the unit be kept clean and that the following preventative maintenance be performed.

CABINET CLEANING

- Turn off the power, unplug the appliance, and remove all items, including shelves and shelf clips.
- When cleaning cabinet interior, use a solution of warm water and mild soap.
- Do not use steel wool, caustic or abrasive cleaners or bleach that may damage the stainless surface.
- Once the cabinet interior is clean, dry it with a clean, dry cloth.
- Wipe the door gasket with a solution of warm soapy water, then dry with a clean soft cloth.
- Wash the shelves with a mild detergent solution, then dry them.
- Wring excess water out of the sponge or cloth when cleaning the area where the controls are located, or any electrical parts.
- Clean the outside of the unit with an approved stainless steel cleaning product. Do not use steel wool or a steel brush on the stainless steel surfaces.

NOTE: Do not use alcohol derivatives or thinner to clean the cabinet.



CAUTION: Failure to unplug the appliance during cleaning could result in electrical shock or other personal injury.

CONDENSER CLEANING

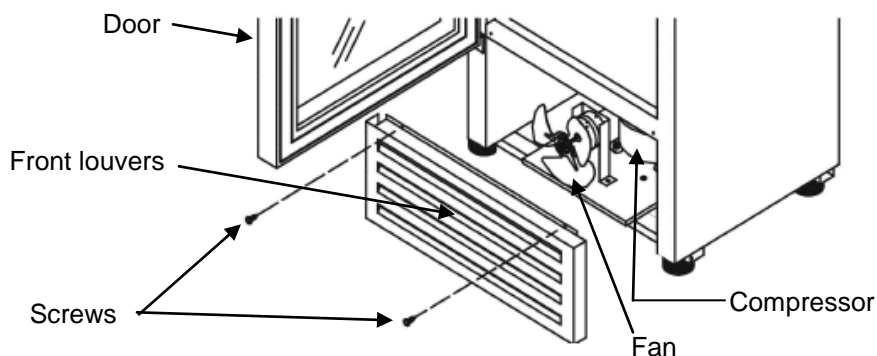
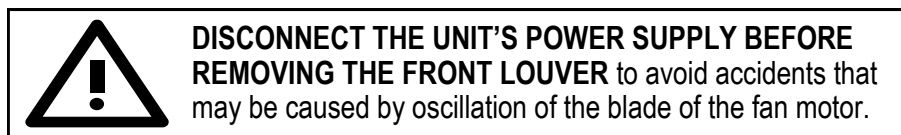
Disconnect the refrigerator's power supply before cleaning. The static condenser (on back of unit) should be cleaned every 12 months for optimum performance. Use a soft-bristle brush to remove excess dust to improve heat transfer to the surrounding air.

CARE OF THE ALARM/THERMOSTAT.

- Do not wash or expose the alarm/thermostat to water or other liquids.
- Clean the product by wiping with a soft, dry cloth.
- Never use volatile or abrasive liquids or cleaners to clean the product.
- Do not subject the product to sudden shock or impact.

CLEANING THE COMPRESSOR/FAN COMPARTMENT

The compressor and fan are located behind the front louvers of the appliance.



To clean the compartment behind the front louvers,

1. **Disconnect the power supply to the appliance.**
2. Remove the two screws, as shown above.
3. Lift the front louver panel, then pull it toward you, being careful not to disconnect any attached wiring.
4. Clean the area with a damp cloth, then dry it.
5. Replace the louver panel and screw it back into place.
6. Reconnect power to the appliance.

DEFROSTING

It is not necessary to defrost your refrigerator. This is done automatically, using a forced-air system.

There is a defrost water evaporation pan in the compartment below the main cabinet. A hot gas line from the compressor passes through this pan and evaporates the water. Check occasionally that the drain hose is always inside the evaporation pan.

SECURITY LOCK

Your unit is provided with a lock and key combination. The lock may be found on the front of the refrigerator. The keys are located inside the plastic bag that contains the *Instruction Manual*. After a key has been used, remove it and put it in a secure place for safekeeping.

ENERGY-SAVING TIPS

- DO NOT DISCONNECT UNIT AT NIGHT. Not only will contents most likely suffer damage, but reconnecting next day will increase energy consumption.
- DO NOT keep the door open any longer than necessary.
- DO NOT OVERLOAD UNIT. Allow free air flow inside refrigerator.
- DO NOT PLACE HEAVY AND/OR LARGE OBJECTS INSIDE UNIT.
- It is important not to block air flow inside the refrigerator. Remember that it is designed exclusively for cooling vaccines, pharmaceuticals and other medical specimens.
- The appliance should be located in the coolest area of the room, away from heat-producing appliances and out of direct sunlight.
- Ensure that the unit is adequately ventilated. Never cover air vents.
- DO NOT PLACE FOODS IN REFRIGERATOR. Not only will you risk contamination of medical products, but the forced air system will absorb moisture from the food.

TROUBLESHOOTING

You can solve many common problems easily, saving you the cost of a possible service call. Try the suggestions below to see if you can solve the problem before calling the servicer.

Troubleshooting Guide

PROBLEM	POSSIBLE CAUSE
The unit does not operate.	Not plugged in. Voltage is outside specifications. Tripped circuit breaker or blown fuse.
The unit is not cold enough.	Voltage is outside specifications. Interior air flow is blocked. There is a nearby heat source. The door is opened too often. The door is not closed completely. The door gasket does not seal properly. Condenser needs cleaning.
Turns on and off frequently.	There is a nearby heat source. Interior air flow is blocked. A large amount of product has been added to the refrigerator. The door is opened too often. The door is not closed completely. The door gasket does not seal properly. Condenser needs cleaning.
The light does not work.	Not plugged in. Tripped circuit breaker or blown fuse. The light switch is OFF.
Ice forms on evaporator.	High relative humidity in environment. The door is not closed properly. The door is opened too often or for too long. Interior air flow is blocked.
Vibrations	Appliance is not level. Fan blades are out of balance. Tubes or moving parts are grazing metallic parts.
The unit seems to make too much noise.	The rattling noise may come from the flow of the refrigerant, which is normal. As each cycle ends, you may hear gurgling sounds caused by the flow of refrigerant in the unit. Contraction and expansion of the inside walls may cause popping and crackling noises. The appliance is not level.
The door will not close properly.	The appliance is not level. The gasket is dirty. The shelves are out of position.
Excessive condensation in interior and on door.	High relative humidity in environment. The door is not closed properly. The door is opened too often or for too long.

LIMITED WARRANTY

ONE-YEAR LIMITED WARRANTY

Within the 48 contiguous United States, for one year from the date of purchase, when this appliance is operated and maintained according to instructions attached to or furnished with the product, warrantor will pay for factory-specified parts and repair labor to correct defects in materials or workmanship. Service must be provided by a designated service company. Outside the 48 states, all parts are warranted for one year from manufacturing defects. Plastic parts, shelves and cabinets are warranted to be manufactured to commercially acceptable standards, and are not covered from damage during handling or breakage.

5-YEAR COMPRESSOR WARRANTY

1. The compressor is covered for 5 years.
2. Replacement does not include labor.

ITEMS WARRANTOR WILL NOT PAY FOR:

1. Service calls to correct the installation of your appliance, to instruct you how to use your appliance, to replace or repair fuses or to correct wiring or plumbing.
2. Service calls to repair or replace appliance light bulbs or broken shelves. Consumable parts (such as filters) are excluded from warranty coverage.
3. Damage resulting from accident, alteration, misuse, abuse, fire, flood, acts of God, improper installation, installation not in accordance with electrical or plumbing codes, or use of products not approved by warrantor.
4. Replacement parts or repair labor costs for units operated outside the United States.
5. Repairs to parts or systems resulting from unauthorized modifications made to the appliance.
6. Expenses for travel and transportation for product service in remote locations.
7. The removal and reinstallation of your appliance if it is installed in an inaccessible location or is not installed in accordance with published installation instructions.

DISCLAIMER OF IMPLIED WARRANTIES – LIMITATION OF REMEDIES

CUSTOMER'S SOLE AND EXCLUSIVE REMEDY UNDER THIS LIMITED WARRANTY SHALL BE PRODUCT REPAIR AS PROVIDED HEREIN. IMPLIED WARRANTIES, INCLUDING WARRANTIES OF MERCHANTABILITY OR FITNESS FOR A PARTICULAR PURPOSE, ARE LIMITED TO ONE YEAR. WARRANTOR SHALL NOT BE LIABLE FOR INCIDENTAL OR CONSEQUENTIAL DAMAGES. SOME STATES DO NOT ALLOW THE EXCLUSION OR LIMITATION OF INCIDENTAL OR CONSEQUENTIAL DAMAGES, OR LIMITATIONS ON THE DURATION OF IMPLIED WARRANTIES OF MERCHANTABILITY OR FITNESS, SO THESE EXCLUSIONS OR LIMITATIONS MAY NOT APPLY TO YOU. THIS WARRANTY GIVES YOU SPECIFIC LEGAL RIGHTS AND YOU MAY ALSO HAVE OTHER RIGHTS, WHICH VARY FROM STATE TO STATE.

WARNING! This product may contain chemicals known to the state of California to cause cancer or birth defects or other reproductive harm. For more information, visit: www.summitappliance.com/prop65

Chemicals known by the manufacturer to be present in this product in concentrations higher than threshold limits: NONE.

accucold[®]
by SUMMIT APPLIANCE

FELIX STORCH, INC.

770 Garrison Avenue
Bronx, NY 10474

TEL 718-893-3900

FAX 844-478-8799

✉ info@summitappliance.com

www.summitappliance.com

Printed in Mexico

TABLE DES MATIÈRES

Consignes de sécurité	16
Mise en garde importantes	16 - 17
Mise en garde spéciales	18
Emplacements des pièces	19
Transport et manutention	19
Évaluation de l'unité et inspection	20
Instructions pour l'installation	20 - 22
Localisation	20
Installation des étagères.....	21
Système électrique.....	21 - 22
Fonctionnement	22- 23
Compresseur	22
Contrôle de la température	23
Mode d'économie d'énergie	23
Éclairage	23
Entretien par l'utilisateur	24 - 26
Nettoyage de l'armoire	24
Nettoyage du condenseur	24
Entretien de l'alarme / thermostat	24
Nettoyage du compartiment du compresseur / ventilateur	25
Dégivrage	25
Verrouillage de sécurité	25
Conseils pour économiser l'énergie	26
Dépannage	27
Garantie limitée	28

CONSIGNES DE SÉCURITÉ

Votre sécurité et celle des autres est très importante.



Nous avons fourni de nombreux messages de sécurité importants sur votre appareil dans ce manuel. Toujours lire et respecter les consignes de sécurité.

 **DANGER** 

DANGER est le symbole d'alerte de sécurité. Ce symbole vous signale les dangers potentiels qui pourraient tuer ou blesser vous et les autres. Tous les messages de sécurité suivront le symbole d'alerte de sécurité, soit après le mot "DANGER" ou "AVERTISSEMENT".

 **AVERTISSEMENT**

Le symbole AVERTISSEMENT signifie que le non-respect de ce message de sécurité peut entraîner des dommages importants au produit, des blessures graves ou la mort.

Tous les messages de sécurité vous alertent au danger potentiel et vous expliquent comment réduire le risque de blessure et les conséquences qui peuvent se produire si les instructions ne sont pas suivies.

MISES EN GARDE IMPORTANTES



Avant d'utiliser l'appareil, il doit être positionné correctement et installé comme décrit dans ce manuel. Lisez le manuel attentivement. Pour réduire le risque d'incendie, de choc électrique ou de blessure lors de l'utilisation de l'appareil, suivez les précautions de base, y compris ce qui suit:

 **DANGER** 

- Branchez sur une prise à 3 broches de sortie, ne retirez pas la broche de terre, ne pas utiliser un adaptateur, et ne pas utiliser une rallonge.
- Remplacez tous les panneaux avant de faire fonctionner l'appareil.
- Il est recommandé d'utiliser un circuit distinct afin d'alimenter votre appareil uniquement. Utilisez des réceptacles qui ne peuvent pas être désactivés par un interrupteur ou une chaîne de traction.
- Ne jamais nettoyer des pièces d'appareils avec des liquides inflammables. Les émanations peuvent provoquer un incendie ou une explosion. Ne pas stocker ni utiliser d'essence ou autres vapeurs et liquides inflammables à proximité de cet appareil ou de tout autre. Les vapeurs peuvent créer un risque d'incendie ou d'explosion.
- Avant de procéder à des opérations de nettoyage et d'entretien, assurez-vous que la ligne d'alimentation de l'appareil soit débranchée.
- Ne pas brancher ou débrancher la prise électrique lorsque vos mains sont mouillées.
- Débranchez l'appareil ou coupez le courant avant de le nettoyer ou de le réparer. Le non-respect de cette consigne peut entraîner un choc électrique ou la mort.

- Ne tentez pas de réparer ou de remplacer une partie quelconque de votre appareil à moins qu'il ne soit spécifiquement recommandé de le faire dans ce manuel. Toute autre réparation doit être confiée à un technicien qualifié.



AVERTISSEMENT

Suivez la légende des consignes d' AVERTISSEMENT ci-dessous lorsque applicables à votre modèle.

- Il est important qu'au moins deux personnes déplacent et installent l'appareil. Le non-respect de cette consigne peut entraîner des blessures au dos ou autres lésions.
- Pour assurer une bonne ventilation de votre appareil, le devant de l'unité doit être complètement dégagé. Choisissez un endroit bien aéré, avec des températures supérieures à 60°F (16°C) et au-dessous de 90°F (32°C). Cet appareil doit être installé dans une zone protégée contre les éléments, comme le vent, la pluie, les éclaboussures et les gouttes d'eau.
- L'appareil ne doit pas être situé à proximité de fours, grilles chauffantes ou d'autres sources de chaleur élevée.
- L'appareil doit être installé avec toutes les connexions électriques, d'eau et de vidange conformément aux codes nationaux et locaux. Une alimentation électrique standard (115 V CA seulement, 60 Hz), correctement mise à terre en conformité avec le National Electrical Code et les codes et ordonnances locaux, est requise.
- Ne placez pas des substances chimiques (solvants, réactifs) ou de la nourriture dans le réfrigérateur. Cet équipement est prévu pour le stockage et l'affichage des vaccins, des médicaments et d'autres spécimens qui doivent être réfrigérés à des températures précises.
- Ne pas plier ou pincer le cordon d'alimentation de l'appareil.
- L'intensité du fusible (ou disjoncteur) doit être de 15 ampères.
- Il est important que l'appareil soit mis à niveau afin de fonctionner correctement. Vous devrez peut-être faire plusieurs ajustements pour y arriver.
- Toutes les installations doivent être conformes aux exigences du code de plomberie local.
- Assurez-vous que les tuyaux ne soient pas pincés, noués ou endommagés lors de l'installation.
- Vérifier les fuites après la connexion.
- Ne jamais laisser les enfants utiliser, jouer ou ramper à l'intérieur de l'appareil.
- Ne pas utiliser de produits nettoyants à base de solvants ou de produits abrasifs à l'intérieur. Ces produits peuvent endommager ou décolorer l'intérieur.
- Utilisez cet appareil uniquement pour son usage, tel que décrit dans ce *Manuel d'emploi*.
- Gardez les doigts hors des zones de "pinçage". Le dégagement entre la porte et le placard est toujours étroit. Surveillez la fermeture des portes soigneusement lorsque les enfants se trouvent dans les alentours.

DANGER!

Risque d'emprisonnement pour les enfants!

Des enfants pris au piège et suffoqués n'est pas un scénario du passé. Les appareils jetés ou abandonnés sont encore dangereux, même si ils sont "simplement entreposés dans le garage pendant quelques jours".

Avant de jeter votre vieux réfrigérateur:

- *Enlever les portes*
- *Laissez les étagères en place afin que les enfants ne peuvent pas y pénétrer facilement.*

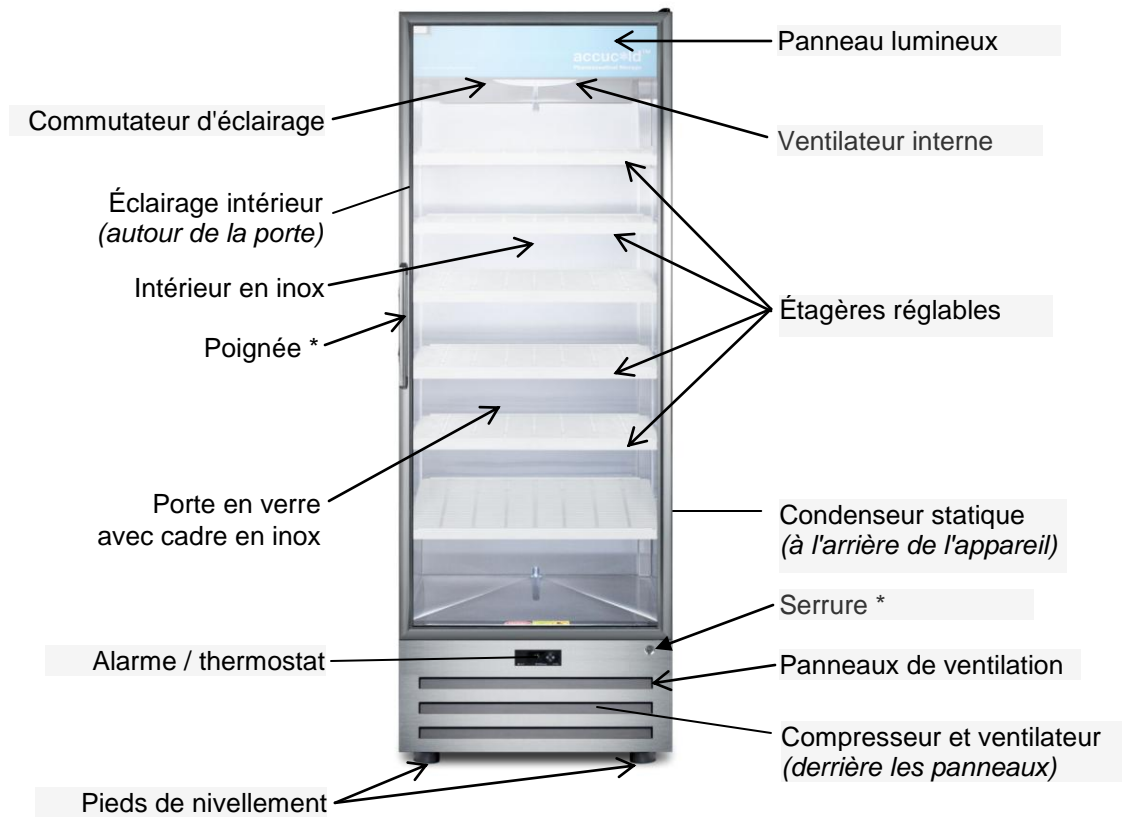
- CONSERVER CES INSTRUCTIONS -

MISE EN GARDE SPÉCIALES

- Ne marchez pas sur le panneau de volet avant de l'appareil ou de l'utiliser comme une marche.
- Utilisez UNIQUEMENT des fiches polarisées de brancher votre appareil.
- NE PAS couper ou enlever la terre sur le câble électrique.
- Vérifiez que le système électrique soit mis à la terre avant de brancher le réfrigérateur pour la première fois.
- Le polyuréthane dans votre appareil contient du gaz cyclopentane comme agent moussant. Lors de la réparation, NE PAS utiliser d'autres types de polyuréthane ou mélanger le polyuréthane existant avec d'autres types d'agents. SUMMIT n'est pas responsable des changements du réfrigérateur si les réparations sont effectuées par l'utilisateur ou des techniciens non-certifiés. Contactez un distributeur autorisé pour des informations sur la réparation.
- NE placez pas les mains ou d'autres objets dans les panneaux avant de l'appareil, les grilles situées à l'arrière ou dans le ventilateur en fonctionnement. Cela peut entraîner des blessures corporelles et / ou des dommages à l'unité.
- Avant de retirer le panneau situé à l'avant pour l'entretien et le nettoyage, débranchez l'alimentation électrique de l'appareil pour éviter les accidents qui peuvent être provoqués par l'oscillation de la lame du moteur du ventilateur.
- Gardez les mains éloignées du pivot de la porte lorsque la porte est ouverte.
- Avant de charger le réfrigérateur, vérifiez que les étagères soient fixes et qu'elles contiennent le nombre de supports indiqués pour votre modèle, tel que décrit dans le *Mode d'emploi*.
- Vérifiez que le panneau de volet avant de l'appareil et les grilles de derrière soient en place avant de brancher l'appareil.
- NE PAS placer les substances chimiques (solvants, réactifs) ou de la nourriture dans le réfrigérateur. Cet équipement est prévu pour le stockage et l'affichage des vaccins, de médicaments et d'autres spécimens qui doivent être réfrigérés à des températures précises.
- Cet appareil est destiné à être localisé dans une pharmacie. Le sol sous l'appareil doit être gardé propre.
- NE PAS mettre en équilibre ou incliner l'unité à plus d'un angle de 45° sans la supervision d'un personnel autorisé. Des blessures graves peuvent survenir.
- N'essayer pas de réparer l'unité vous-même. Consultez toujours votre distributeur autorisé de service.
- Avant de signaler un problème avec votre réfrigérateur ACCUCOLD®, vérifiez la fiche et les fusibles, ainsi que le disjoncteur. Si cela n'est pas la cause du problème, contactez votre distributeur immédiatement afin qu'un technicien vous soit envoyé.
- La capacité de refroidissement de l'unité diminuera si:
 - La porte est ouverte pendant de longues périodes,
 - Une quantité excessive de produit est stockée dans celle-ci.

Cela surchargera l'appareil et augmentera le risque de mauvais fonctionnement.

EMPLACEMENTS DES PIÈCES



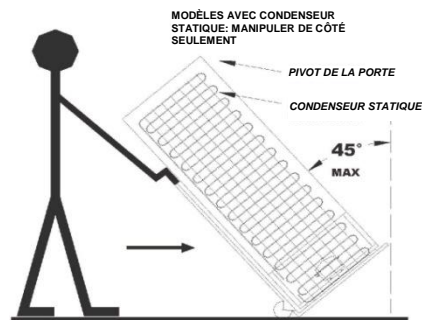
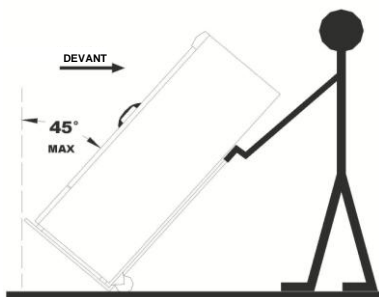
Descriptions des modèles:

ACR1717LH - ouverture de la porte à gauche
 ACR1717RH - ouverture de la porte à droite

* La poignée et la position de la serrure sont sujettes à changement.

TRANSPORT ET MANUTENTION

NE PAS DÉPLACER L'UNITÉ AVEC LES PRODUITS À L'INTÉRIEUR, des produits mal fermés peuvent se casser, se renverser, endommager l'appareil, etc.



NE PAS PENCHER L'UNITÉ À UN ANGLE DE PLUS DE 45°. NE PAS EXPOSER AU SOLEIL; NE PAS STOCKER À DES TEMPÉRATURES SUPÉRIEURES À 131°F (55°C).



LORSQUE VOUS MANIPULEZ UN APPAREIL AVEC CONDENSEUR STATIQUE COMME CELUI-CI, ASSUREZ-VOUS QUE LE PIVOT DE PORTE SE TROUVE TEL QU'ILLUSTRÉ DANS L'IMAGE CI-DESSUS.

ÉVALUATION DE L'UNITÉ ET INSPECTION

Ce réfrigérateur a été entièrement inspecté avant de quitter l'usine. Inspectez l'appareil pour des signes de dommages lorsque vous le recevez. S'il ya un problème, contactez votre distributeur agréé ou le fabricant immédiatement. Vérifiez que les accessoires suivants sont fournis avec votre réfrigérateur:

- 6 étagères en plastique (emballées dans une pellicule de plastique à l'intérieur de l'unité)
- 24 pinces pour étagères (emballées séparément dans un sac en plastique à l'intérieur de l'unité)

INSTRUCTIONS POUR L'INSTALLATION

Ce modèle est conçu pour un usage intérieur à une température de fonctionnement maximale de 27°C (80,6°F) et un degré humidité de 55%. Il est destiné à être autonome et non intégré dans un boîtier.

Ne placez pas l'appareil près de sources de chaleur telles que poêles, grilles chauffantes, radiateurs, etc., et ne placez pas dans des zones où la lumière du soleil directe peut atteindre l'unité.

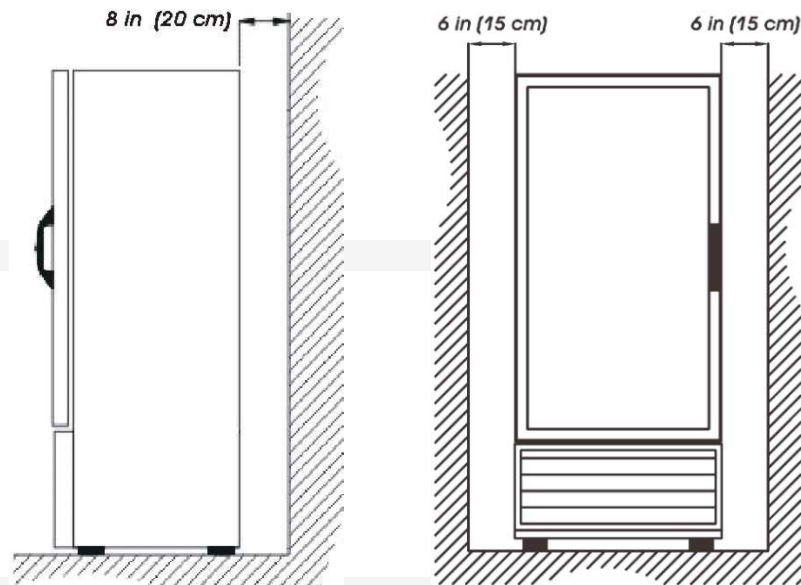
ATTENTION: Cet appareil est conçu pour le stockage et la réfrigération de médicaments, de vaccins et d'autres spécimens médicaux. Ne pas l'utiliser pour entreposer les denrées périssables ou des substances chimiques comme les solvants et les réactifs.

LOCALISATION

Il est recommandé que la partie arrière et les deux côtés de votre réfrigérateur soient à une distance respective d'au moins 8 pouces et 6 pouces du mur, pour permettre l'écoulement de l'air du compresseur et afin d'améliorer le transfert de chaleur.

Placez votre réfrigérateur sur une surface plane.

Les distances minimales



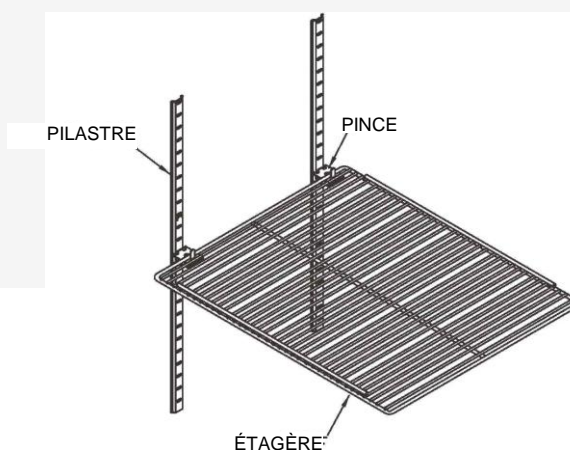
Une fois l'appareil installé, vérifiez qu'il est à niveau. Si nécessaire, utilisez les deux pattes avant pour régler la hauteur de l'appareil.

ATTENTION: Après le déballage vous **DEVEZ** permettre cet appareil de se tenir debout pendant au moins 2 heures pour permettre aux lubrifiant et réfrigérant à écouler dans le compresseur et se stabiliser. Ne pas le faire peut affecter les performances et la durée de vie de cette unité.

INSTALLATION DES ÉTAGÈRES

Votre réfrigérateur comprend 6 étagères en plastic polycarbonate et 24 pinces.

Pour installer les étagères, placez d'abord les pinces d'étagère dans les fentes des pilastres de l'intérieur de l'armoire. Basez-vous sur les chiffres sur les pilastres comme guide afin de placer les pinces à la même distance du plancher de l'armoire, avec l'onglet pointant vers le haut, tel qu'illustré. Une fois que toutes les pinces sont en place, installez les étagères en les plaçant sur les pinces, avec la barre extérieure du plateau à l'intérieur des onglets. Gardez tous les articles stockés à l'intérieur des limites des plateaux. Ceux-ci favorisent le flux d'air et ne doivent pas être bloqués lorsque les produits sont stockés dans l'appareil.



ATTENTION: NE PAS STOCKER DE PRODUITS AVANT QUE LES ÉTAGÈRES NE SOIENT CORRECTEMENT INSTALLÉES DANS L'APPAREIL À L'AIDE DES PINCES.



IMPORTANT: POUR ÉVITER LES ACCIDENTS LORS DU NETTOYAGE INTÉRIEUR DE L'APPAREIL, ENLEVEZ LES ÉTAGÈRES EN PREMIER ET ENSUITE LES PINCES.

SYSTÈME ÉLECTRIQUE

Une installation électrique adéquate est nécessaire pour que votre réfrigérateur fonctionne correctement et afin de prolonger la durée de vie des composants électriques et du compresseur.



AVANT DE RACCORDER VOTRE UNITÉ POUR LA PREMIÈRE FOIS:

Vérifiez que la tension de ligne ne varie pas de plus de 10% de la valeur nominale de 115 V, 60 Hz.

NE PAS utiliser de rallonge.

NE PAS brancher réfrigérateur à des prises multiples ou à des prises connectées à autre appareil.

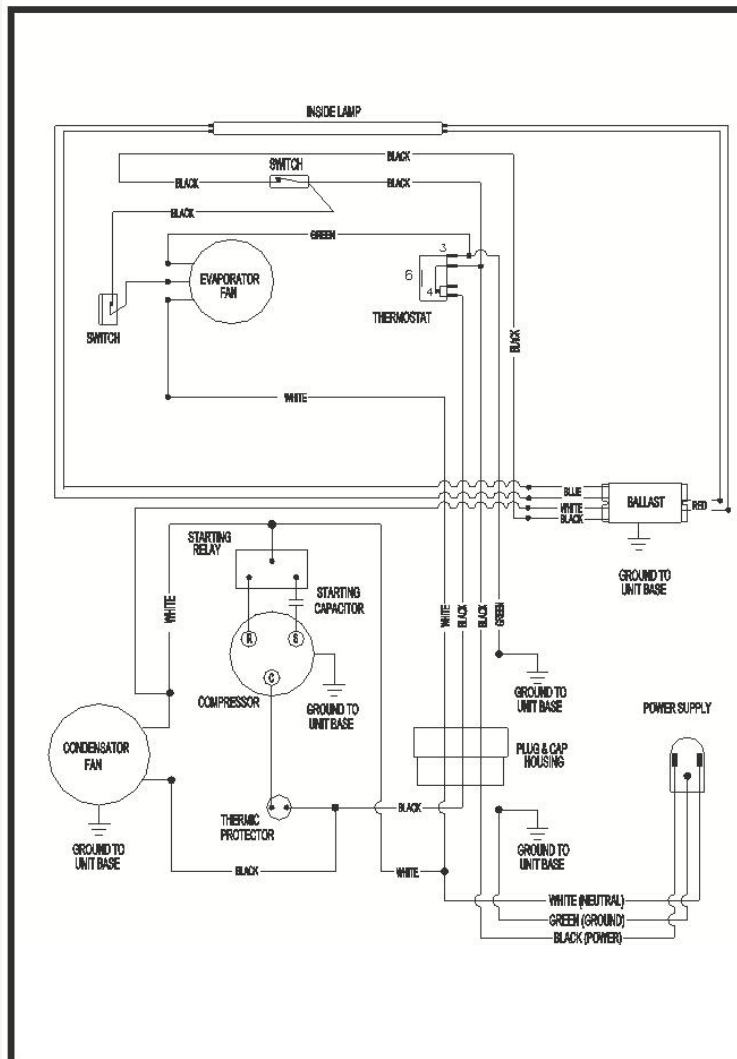
L'appareil **DOIT** être branché sur une prise de terre.



IMPORTANT:

- Ne pas essayer de réparer aucune pièce du système électrique vous-même. Contactez le centre de service agréé.
- L'appareil doit être mis à la terre.
- Le non-respect des consignes contenues dans ce manuel annule la garantie.
- L'appareil doit être raccordé à un disjoncteur avec un fusible de 15 ampères et installé avec un fil d'un minimum de 14 calibre.

**Schéma de raccordement
pour le série ACR1717:**



FUNCTIONNEMENT

COMPRESSEUR

Le compresseur du réfrigérateur ACCUCOLD® est conçu pour fonctionner silencieusement. NE PAS brancher l'appareil immédiatement après le déplacement ou après avoir changé sa position. Prévoir un minimum de 2 heures pour que la pression à l'intérieur du système de réfrigération soit régularisée et pour stabiliser les huiles dans le compresseur. Après avoir branché l'appareil, laissez-le fonctionner pendant une heure sans charge ou produit. Le réfrigérateur peut alors être chargé.

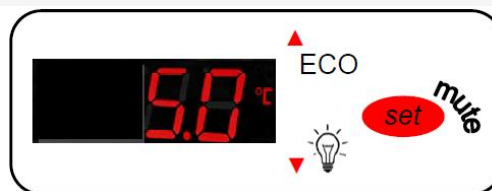


NE TOUCHEZ PAS LE CAPOT DU COMPRESSEUR
pendant que l'appareil est en marche. Il est conçu pour des températures de fonctionnement élevées et sa surface peut devenir très chaude, ce qui peut causer des brûlures.
(Le compresseur est situé dans le bas du réfrigérateur, derrière les ouvertures des grilles.)



CONTRÔLE DE LA TEMPÉRATURE

La température est contrôlée par un thermostat qui est situé au-dessus des louveres de ventilation avant, juste en dessous de la porte. Le thermostat a été réglé en usine pour maintenir la température intérieure comprise entre 2 et 8 ° C (35,6 et 46,4 ° F). Le thermostat affiche normalement la température à l'intérieur du cabinet. Le réglage par défaut est de 2 ° C.



Cadran d'alarme / thermostat

Pour changer la température réglée :

1. Appuyez et maintenez le bouton **set** (réglage) pendant 5 secondes jusqu'à ce que " 0 " apparaisse sur l'écran.
2. Relâchez le bouton et appuyez-le à nouveau pour confirmer la commande " 0 ".
3. Appuyez sur les flèche-boutons HAUT ou BAS jusqu'à ce que vous voyiez le paramètre " St " sur l'écran.
4. Appuyez encore sur la touche **set** pour entrer ce paramètre.
5. Avec les touches HAUT et BAS choisir la température de fonctionnement souhaitée. (NOTE : Seulement des températures de 2 à 8 ° C sont permises.)
6. Appuyez sur **set** pour confirmer la température.
7. Attendre 1 minute sans toucher aucun bouton pendant que l'appareil accepte les modifications. Ensuite il se mettra en marche normalement.

MODE D'ÉCONOMIE D'ÉNERGIE

Pour économiser de l'énergie en limitant la durée du temps de fonctionnement des moteurs de ventilateur et du compresseur et en éteignant la lumière intérieure, vous pouvez mettre le réfrigérateur en *Mode d'économie d'énergie* en appuyant sur la flèche HAUT (ECO) pendant 3 secondes. L'écran affiche " EnS " lorsque ce mode est actif. Pour désactiver le *Mode d'économie d'énergie*, appuyez sur la flèche à nouveau et maintenez-le pendant au moins 3 secondes.

ÉCLAIRAGE

Sur le côté intérieur de la porte, éclairage LED entoure le verre. De plus, le panneau au-dessus de la porte est rétro-éclairé.

L'éclairage du cabinet est conçu pour fonctionner de façon continue mais peut aussi être réglé par un interrupteur, situé au plafond à l'intérieur de l'appareil, à la gauche du ventilateur interne. Voir le *Schéma de raccordement* à la page 22. Mettre le réfrigérateur en *Mode d'économie d'énergie* (voir section ci-dessus) également désactivera l'éclairage intérieur.

NOTES:

- Si l'appareil est débranché ou l'alimentation est perdue ou hors tension, vous devez attendre de 3 à 5 minutes avant de redémarrer l'appareil. Si vous essayez de redémarrer avant ce laps de temps, l'unité ne démarrera pas.
- Lorsque vous utilisez l'appareil pour la première fois ou que vous redémarrez l'appareil après qu'il ait été arrêté pendant une longue période, prévoyez quelques heures pour que la température intérieure soit normalisée.

ENTRETIEN PAR L'UTILISATEUR

Pour une meilleure performance et la facilité d'utilisation, ce réfrigérateur a été conçu pour fonctionner avec un entretien minimal et pour fournir une consommation d'énergie optimale et une facilité de maintenance. Il est recommandé, cependant, que l'appareil soit gardé propre et que des entretiens préventifs soient effectués.

NETTOYAGE DE L'ARMOIRE

- Coupez l'alimentation, débranchez l'appareil et retirez tous les éléments, y compris les étagères et les clips.
- Lors du nettoyage intérieur de l'armoire, utiliser une solution d'eau tiède et un savon doux.
- Ne pas utiliser de laine d'acier, de savon caustique, de nettoyants abrasifs ou de l'eau de javel qui peuvent endommager la surface de l'acier inoxydable.
- Une fois que l'intérieur de l'armoire est nettoyé, séchez avec un chiffon propre et sec.
- Essuyez le joint de la porte avec une solution d'eau tiède et savonneuse, puis séchez-le avec un chiffon doux et propre.
- Lavez les étagères avec un détergent doux, puis séchez-les.
- Essorez l'éponge ou du chiffon pour nettoyer la zone où les commandes et les pièces électriques sont situées.
- Nettoyez l'extérieur de l'appareil avec un produit approuvé pour le nettoyage d'acier inoxydable. Ne pas utiliser de laine d'acier ou une brosse métallique sur les surfaces en acier inoxydable.

REMARQUE:

Ne pas utiliser de dérivés de l'alcool ou du diluant pour nettoyer l'armoire.



ATTENTION: Ne pas débrancher l'appareil pendant le nettoyage, cela pourrait entraîner un choc électrique ou d'autres blessures.

NETTOYAGE DU CONDENSEUR

Coupez l'alimentation électrique du réfrigérateur avant de le nettoyer. Le condenseur statique (à l'arrière de l'appareil) doit être nettoyé tous les 12 mois pour une performance optimale. Utiliser une brosse à poils souples pour enlever l'excès de poussière afin d'améliorer le transfert de chaleur à l'air ambiant.

ENTRETIEN DE L'ALARME / THERMOSTAT

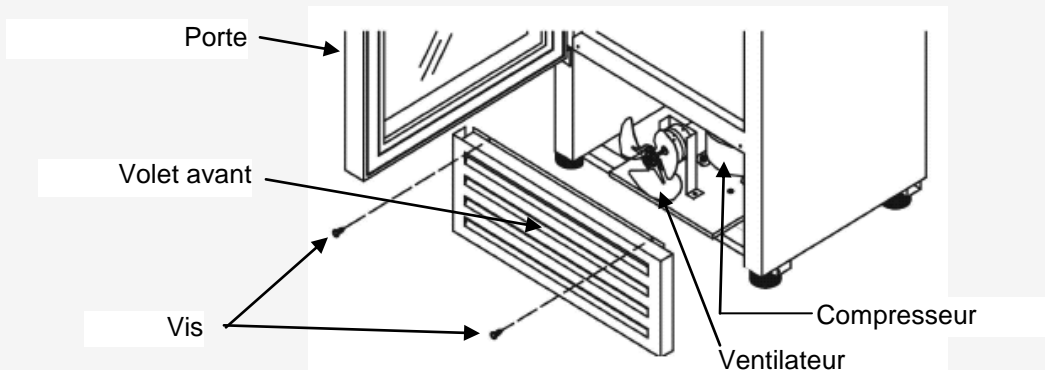
- Ne pas laver ou exposer l'alarme / thermostat à l'eau ou d'autres liquides.
- Nettoyez le produit en essuyant avec un chiffon doux et sec.
- Ne jamais utiliser de liquides ou de nettoyants abrasifs ou volatils pour nettoyer le produit.
- Ne pas soumettre le produit à un choc brusque ou de collision.

NETTOYAGE DU COMPARTIMENT COMPRESSEUR / VENTILATEUR

Le compresseur et le ventilateur sont situés derrière les volets avant de l'appareil.



COUPEZ LE COURANT DE L'APPAREIL AVANT DE RETIRER LE VOLET AVANT pour éviter les accidents qui peuvent être provoqués par l'oscillation de la lame du moteur du ventilateur.



Pour nettoyer le compartiment à l'arrière des volets situés à l'avant de l'appareil,

1. **Débranchez l'alimentation électrique de l'appareil.**
2. Retirez les deux vis, comme indiqué ci-dessus.
3. Soulevez le panneau du volet avant, puis tirez-le vers vous, en prenant garde de ne pas toucher au câblage.
4. Nettoyez la zone avec un chiffon humide, puis séchez.
5. Replacez le panneau du volet avant et vissez-le en place.
6. Rebranchez l'appareil.

DÉGIVRAGE

Il n'est pas nécessaire de dégivrer votre réfrigérateur. Ceci est fait automatiquement, à l'aide d'un système à air pulsé.

Il y a un bac d'évaporation d'eau pour le dégivrage situé dans le compartiment au-dessous de l'armoire principale. Une conduite de gaz chaud du compresseur passe à travers ce bac et fait évaporer l'eau. Vérifiez de temps en temps que le tuyau de vidange se trouve toujours à l'intérieur du bac d'évaporation.

VERROUILLAGE DE SÉCURITÉ

L'appareil est muni d'une serrure et deux clés. La serrure se trouve sur le panneau de volet avant, juste au-dessous du cadre de porte. Les clés se trouvent dans le sac en plastique qui contient le manuel d'instructions. Après une clé a été utilisé, retirez-le et mettez-le dans un endroit sûr pour la garde.

CONSEILS POUR ÉCONOMISER L'ÉNERGIE

- **NE PAS DÉBRANCHER LA NUIT.** Non seulement le contenu est plus susceptible d'être endommagé, mais la reconnexion du lendemain augmentera la consommation d'énergie.
- Ne laissez pas la porte ouverte plus longtemps que nécessaire.
- **NE PAS surcharger la machine.** Permettez à l'air de circuler à l'intérieur du réfrigérateur.
- **NE PAS** placer d'objets lourds et / ou larges à l'intérieur de l'unité.
- Il est important de ne pas bloquer la circulation de l'air à l'intérieur du réfrigérateur. Rappelez-vous qu'il est conçu exclusivement pour le refroidissement des vaccins, les produits pharmaceutiques et d'autres spécimens médicaux.
- L'appareil doit être situé dans la zone la plus fraîche de la pièce, loin des appareils qui produisent de la chaleur et loin de la lumière directe du soleil.
- Assurez-vous que l'unité est correctement ventilée. Ne jamais bloquer les orifices de ventilation de l'air.
- **NE PAS PLACER LES ALIMENTS** dans le réfrigérateur. Non seulement risquez-vous de contaminer les produits médicaux, mais le système d'air forcé absorbera l'humidité de la nourriture.

DÉPANNAGE

Vous pouvez résoudre de nombreux problèmes courants facilement, vous épargnant le coût d'une visite de service possible. Essayez les suggestions ci-dessous pour voir si vous pouvez résoudre le problème avant d'appeler le réparateur.

GUIDE DE DÉPANNAGE

PROBLÈME	CAUSE POSSIBLE
L'unité ne fonctionne pas.	L'unité n'est pas branchée. La tension n'est pas dans les spécifications. Problème avec le disjoncteur ou fusible grillé.
L'unité n'est pas assez froide.	La tension est en dehors des spécifications. La circulation d'air à l'intérieur est bloquée. Il y a une source de chaleur à proximité. La porte est ouverte trop souvent. La porte n'est pas complètement fermée. Le joint de la porte ne se referme pas correctement. Le condenseur doit être nettoyé.
L'appareil s'allume et s'éteint fréquemment.	Il y a une source de chaleur à proximité. La circulation d'air à l'intérieur est bloquée. Une grande quantité de contenu a été ajoutée. La porte est ouverte trop souvent. La porte n'est pas complètement fermée. Le joint de la porte ne se referme pas correctement. Le condenseur doit être nettoyé.
La lumière ne fonctionne pas.	L'appareil n'est pas branché. Problème avec le disjoncteur ou fusible grillé. Le commutateur d'éclairage est éteint.
De la glace se forme sur l'évaporateur.	Humidité relative élevée dans l'environnement. La porte n'est pas complètement fermée. La porte est ouverte trop souvent ou trop longtemps. La circulation d'air à l'intérieur est bloquée.
Vibrations	L'appareil n'est pas à niveau. Les lames du ventilateur ne sont pas équilibrées. Les tubes ou les pièces en mouvement se frottent contre des pièces métalliques.
L'unité semble faire beaucoup de bruit.	Le bruit de crécelle peut provenir de l'écoulement de fluide frigorigène, ce qui est normal. Comme chaque cycle se termine, vous pouvez entendre glossements causés par le débit de réfrigérant dans l'unité. Contraction et la dilatation des parois internes peuvent produire des claquements et craquements. L'appareil n'est pas à niveau.
La porte ne se ferme pas correctement.	L'appareil n'est pas à niveau. Le joint est sale. Les étagères sont hors de position.
Condensation excessive à l'intérieur et sur la porte	Humidité relative élevée dans l'environnement. La porte n'est pas complètement fermée. La porte est ouverte trop souvent ou trop longtemps.

GARANTIE LIMITÉE

UN AN DE GARANTIE LIMITÉE

Dans les 48 États américains contigus, pendant un an à partir de la date d'achat, lorsque cet appareil est utilisé et entretenu conformément aux instructions jointes à ou fournies avec le produit, le garant paiera pour les pièces spécifiées en usine et la main-d'œuvre pour corriger les vices de matériaux ou de fabrication. Le service doit être fourni par une compagnie de service désignée. En dehors des 48 États, toutes les pièces sont garanties pendant un an pour les défauts de fabrication. Les pièces en plastique, étagères et armoires sont garanties avoir été fabriquées conformément aux normes acceptées dans le commerce et ne sont pas couvertes contre les dommages pendant la manipulation ou la rupture.

GARANTIE DE 5 ANS DU COMPRESSEUR

1. Le compresseur est couvert pendant 5 ans.
2. Le remplacement n'inclut pas la main-d'œuvre.

LE GARANT NE SERA PAS DÉDOMMAGÉ POUR LES POINTS SUIVANTS:

1. Les appels de service pour rectifier l'installation de votre appareil, pour vous indiquer comment utiliser votre appareil, remplacer ou réparer des fusibles ou rectifier le câblage ou la plomberie.
2. Les appels de service pour réparer ou remplacer des ampoules ou des étagères cassées. Les pièces consommables (tels que des filtres) sont exclus de la couverture de la garantie.
3. Les dommages résultant d'un accident, modification, usage impropre ou abusif, incendie, inondation, actes de Dieu, mauvaise installation, une installation non-conforme aux codes d'électricité ou de plomberie, ou l'utilisation de produits non approuvés par le garant.
4. Les pièces de rechange ou les frais de réparation pour les appareils utilisés hors des États-Unis.
5. Les réparations aux pièces ou systèmes résultant de modifications non autorisées apportées à l'appareil.
6. Les frais de déplacement et de transport pour le service produit dans des endroits hors des zones approuvées.
7. La livraison et la réinstallation de votre appareil s'il est installé dans un endroit inaccessible ou n'est pas installé conformément aux instructions d'installation.

EXCLUSION DE GARANTIES IMPLICITES - LIMITATION DES RECOURS

LE SEUL ET UNIQUE RECOURS DU CLIENT EN VERTU DE CETTE GARANTIE LIMITÉE EST LA RÉPARATION DU PRODUIT COMME PRÉSENTÉE. GARANTIE IMPLICITE, Y COMPRIS LES GARANTIES DE QUALITÉ MARCHANDE OU D'ADEQUATION À UN USAGE PARTICULIER, SONT LIMITÉES À UN AN. LE GARANT NE SERA PAS RESPONSABLE DES DOMMAGES DIRECTS OU INDIRECTS. CERTAINS ÉTATS NE PERMETTENT PAS L'EXCLUSION OU LA LIMITATION DES DOMMAGES DIRECTS OU INDIRECTS, OU LA LIMITATION DE LA DURÉE DES GARANTIES DE QUALITÉ MARCHANDE OU D'ADAPTATION, DE SORTE QUE CES EXCLUSIONS OU LIMITATIONS PEUVENT NE PAS VOUS TOUCHER. CETTE GARANTIE VOUS DONNE DES DROITS SPÉCIFIQUES ET VOUS POUVEZ AUSSI AVOIR D'AUTRES DROITS QUI PEUVENT VARIER D'UN ÉTAT À L'AUTRE.

ATTENTION! Ce produit peut contenir des produits chimiques reconnus par l'État de la Californie pour causer le cancer ou des défauts de naissance et d'autres dangers pour la reproduction. Pour plus d'informations, visitez le site: www.summitappliance.com/prop65

Produits chimiques reconnus par le fabricant qui sont présents dans ce produit en concentrations supérieures aux limites permises: AUCUNS.

FELIX STORCH, INC.
770 Garrison Avenue
Bronx, NY 10474
Téléphone: (718) 893-3900
Fax: (844) 478-8799
www.summitappliance.com

accuc[®]ld
by SUMMIT APPLIANCE

Pour les pièces et la commande d'accessoires, le dépannage et des conseils de service, visitez le site:
www.summitappliance.com/support

Imprimé au Mexique