

EVAPORATIVE COOLER/ HEATER

use & care

Introduction.....	2	The Controls & Operation.....	7
Important Safety Information.....	3	Cleaning and Maintenance Attention.....	10
Features.....	5	Troubleshooting.....	12
Specifications.....	6	Limited Warranty.....	13

2

INTRODUCTION

Welcome to our *family*

Register Your Frigidaire Product Online Today!

Take advantage of all the benefits product registration has to offer:



Service and Support

Diagnose troubleshooting and service issues faster and more accurately



Recall Notifications

Stay up-to-date on safety notices, system updates, and recall notifications



Special Promotions

Opt-in for promotions and offers

Registering your product information online is safe & secure and takes less than 2 minutes to complete:

newair.com/register

Alternatively, we recommend you attach a copy of your sales receipt below and record the following information, which can be found on the manufacturer's nameplate on the back of the unit. You will need this information if it becomes necessary to contact the manufacturer for service inquiries.

Date of Purchase: _____

Serial Number: _____

Model Number: _____



WARNING

Please read all instructions before using this appliance.



WARNING

Cancer and Reproductive Harm
www.P65Warnings.ca.gov.

Child Safety

Destroy or recycle the carton, plastic bags, and any exterior wrapping material immediately after the refrigerator is unpacked. Children should NEVER use these items to play. Cartons covered with rugs, bedspreads, plastic sheets or stretch wrap may become airtight chambers, and can quickly cause suffocation.

Safety Definitions



This is the safety alert symbol. It is used to alert of potential personal injury hazards. Obey all safety messages that follow this symbol to avoid possible injury or death.



DANGER

DANGER indicates an imminently hazardous situation which, if not avoided, will result in death or serious injury.



WARNING

WARNING indicates a potentially hazardous situation which, if not avoided, could result in death or serious injury.



CAUTION

CAUTION indicates a potentially hazardous situation which, if not avoided, may result in minor or moderate injury.



IMPORTANT

IMPORTANT indicates installation, operation or maintenance information which is important but not hazard-related.

4

IMPORTANT SAFETY INFORMATION

Safety Instructions

When using electrical appliances, basic precautions should always be followed to reduce the risk of fire, electric shock, and injury to persons, including the following:

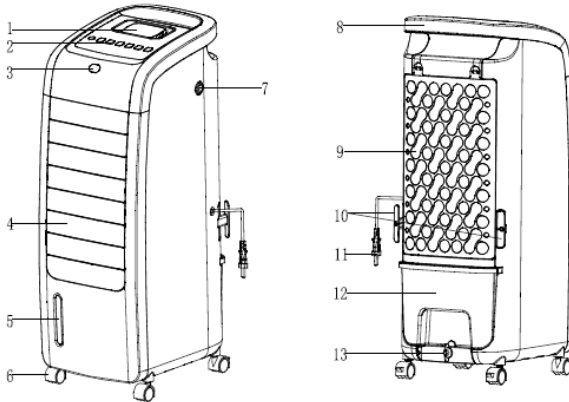
- Read all instructions before using this product.
- This product is hot when use heating function. To avoid burns, do not let bare skin touch hot surfaces. If provided, use handles when moving this product. Keep combustible materials, such as furniture, pillows, bedding, papers, clothes, and curtains at least 3 feet (0.9 m) from the front of the product and keep them away from the sides and rear.
- Extreme caution is necessary when any product is used by or near children or invalids and whenever the product is left operating and unattended.
- Always unplug the product when not in use.
- Do not operate any product with a damaged cord or plug or after the product malfunctions, has been dropped or damaged in any manner. Discard the product or return to authorized service facility for examination and/or repair.
- The appliance is only for household and indoor use. Do not use outdoors.
- This product is not intended for use in bathrooms, laundry areas and similar indoor locations. Never locate the product where it may fall into a bathtub or other water container.
- Do not run cord under carpeting. Do not cover cord with throw rugs, runners, or similar coverings. Do not route cord under furniture or appliances. Arrange cord away from traffic area and where it will not be tripped over.
- To disconnect the product, press the button to off, then remove plug from outlet.
- Do not insert or allow foreign objects to enter any ventilation or exhaust opening as this may cause an electric shock or fire or damage the product.
- To prevent a possible fire, do not block air intakes or exhaust in any manner.

Do not use on soft surfaces, like a bed, where openings may become blocked.

- A product with heating function has hot and arcing or sparking parts inside. Do not use it in areas where gasoline, paint, or flammable liquids are used or stored.
- Use this product only as described in this manual. Any other use not recommended by the manufacturer may cause fire, electric shock, or injury to persons.
- Always plug the product directly into a wall outlet/receptacle. Never use with an extension cord or relocate power tap (outlet/power strip).
- **WARNING:** Unplug or disconnect the appliance from the power supply before user servicing or cleaning operation.
- This appliance has a polarized plug (one blade is wider than the other). To reduce the risk of electric shock, this plug is intended to fit in a polarized outlet only one way. If the plug does not fit fully in the outlet, reverse the plug. If it still does not fit, contact a qualified electrician. Do not attempt to defeat this safety feature.
- **WARNING:** To Reduce the Risk of Fire or Electric Shock. Do Not Use This Product with Any Solid-State Speed Control Device.
- **WARNING:** Chemical Burn Hazard. Keep batteries away from children.
- This product contains a lithium button/coin cell battery. If a new or used lithium button/coin cell battery is swallowed or enters the body, it can cause severe internal burns and can lead to death in as little as 2 hours. Always completely secure the battery compartment. If the battery compartment does not close securely, stop using the product, remove the batteries, and keep it away from children. If you think batteries might have been swallowed or placed inside any part of the body, seek immediate medical attention.

SAVE THESE INSTRUCTIONS

1. Fan mode
2. Three fan speeds: high, medium, low
3. Cooling function
4. 1, 2, 4 and 8 hours timing function
5. Heater mode
6. Three heater settings: temperature can be set as low (71°F), medium (84°F) and high (96°F) manually. When the environmental temperature is higher than the temperature set by manual, hot wind status will be transferred to cool wind
7. Two oscillation settings; vertical and horizontal
8. Remote control operation available
9. Fully removable water tank which is easy to clean
10. Equipped with high quality large cooling pad for good evaporation capacity and cooling effect
11. Spray-type water circulation refrigeration technology for faster cooling effect
12. Dual air filtration
13. Cardan wheel design for front and rear casters with brake



1. Remote control depository
2. Control panel
3. Remote control receiving window
4. Vane assembly
5. Water level display window
6. Caster
7. Switch

8. Handle
9. Air filter net
10. Reel
11. Power cable
12. Water tank
13. Water tank lock

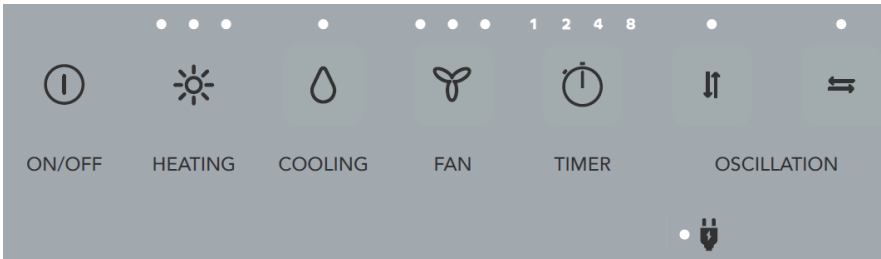
6

SPECIFICATIONS

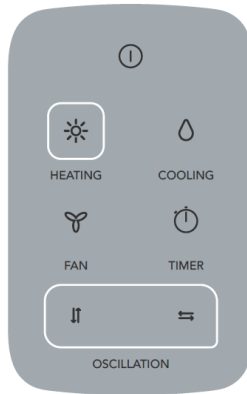
ACCESSORIES



Remote Control



Operation panel and Display panel



Remote control operation panel

SPECIFICATIONS

MODEL NO:	FEC350WH02
RATED VOLTAGE	120V
RATED FREQUENCY	60 Hz
RATED POWER	1200W
NOISE	55≤dB
CFM	350
PRODUCT DIMENSIONS	9.84" W x 13.00" D x 27.72" H

INSTALLATION METHOD

The product can be used directly after unpacked (without installation).

USAGE OF CONTROL PANEL

- Where power comes initially, all the LED lights will light for 2s and beep. Then, the machine will enter into standby mode and all buttons will be invalid except "ON/OFF" button.



a) Press "ON/OFF" button under standby mode and the machine will beep and enter into working mode.

b) Press "ON/OFF" button under working mode, for the unit to go into standby mode with a long beep (If you turn off the machine under heater mode, the fan will be off 10s later). Press "ON/OFF" button under working mode, the unit will be off and enter into standby mode with a beep.



FAN

2. Press "FAN" button to set wind speed, the unit will beep: related indicator lights will turn on for low--medium--high.



TIMER

3. Press "TIMER" button to set a 1H, 2H, 4H and 8H lapse for the unit to turn off after the selected time has passed.



4. a) Press "Horizontal Oscillation" button, for the blades to move horizontally.



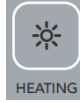
b) Press "Vertical Oscillation" button, for the blades to move horizontally.

- Press Horizontal and Vertical oscillation buttons at the same time for 3s, to enter silent mode; (the buttons won't beep when pressed), press again for 3s, to deactivate silent mode.



COOLING

6. Press "COOLING" button to turn on or off the refrigeration (pump) function.



HEATING

7. Press "HEATING" switching button:

a) Press this button, to change from cooling to heating function under working mode. Heating mode can only be used with medium fan speed, temperature will start at low (71°F) and the first light indicator will turn on; press this button twice, to set to medium (84°F) and the second light indicator will turn on; press this button three times, to set to high (96°F) and the third light indicator will turn on; press this button four times, heater will stop and after 10s, cooling mode will start (no cool wind indicator light). Use this to select desired setting.

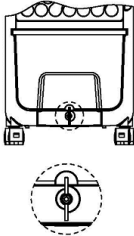
b) When in heating mode, if the indoor temperature reaches (71°F, 84°F or 96°F), the unit will stop heating and the fan will keep working, when the indoor temperature is lower than (71°F, 84°F or 96°F), the unit will restart. (E.g., The preset temperature is 84°F, when the indoor temperature is higher than 84°F, heating function will stop; when the indoor temperature is lower than 80°F, heating will restart.)

Notes:

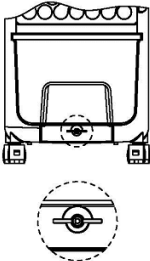
- Cooling and heating function can be on at the same time and will produce humid, hot air.
- If there is no activity on the control panel while in working mode for 1min the indicator lights will dim automatically and will return to regular brightness once you press any button on the control panel again.
- In case of power loss, the unit's memory function will restart the unit with the previous setting once energy it's recovered.

Filling water:

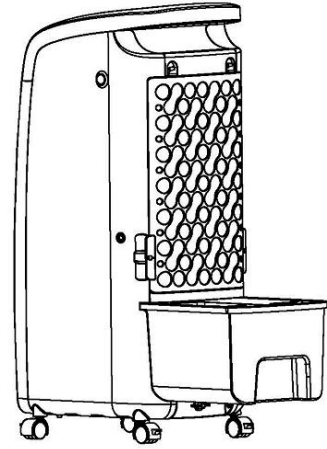
For cooling function, please add water into the water tank. Before adding water, please open the water tank lock, take the water tank out and add water in it slowly (Figure 1, 2, 3 and 4); put the water tank to the original location after adding water and lock the water tank lock.



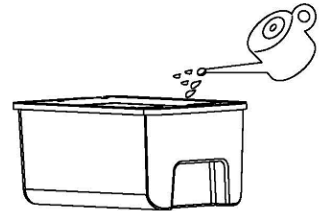
Water tank Locked (Fig. 1)



Water tank Unlocked (Fig. 2)



Water tank pulled out (Fig. 3)



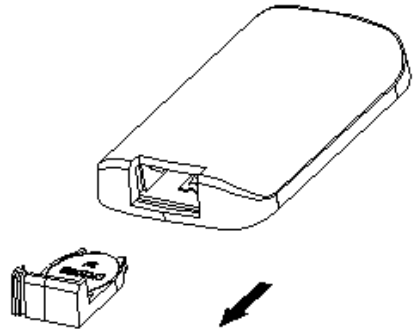
Filling water (Fig. 4)

For manual water filling, please note the level indicator in the front of the air cooler (Fig. 3).

1. Do not fill the water exceeding the maximum water level (Fig. 3).
2. Be sure to use clean water.
3. Tip: It is normal, non-toxic, and will not affect your health if the device has slight odor or the water in the tank has a slight discoloration when it is used for the first time.

Using the remote control:

1. Open the battery cover of the remote control and insert a 3V CR2032 battery.
2. Please point to the receiver when using the remote control.
3. If the battery voltage is low, please open the battery cover as shown in the figure and replace with new battery (CR2032). Please note the positive pole and the negative pole of the battery; then, put on the battery cover.
4. a) The battery shall be disposed of properly, keeping them away from children;
b) Even used batteries may cause injury.



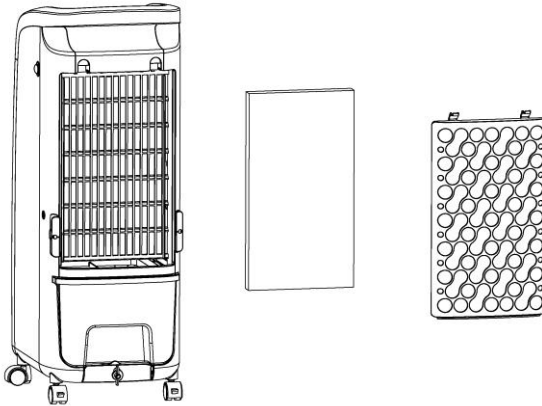
10

CLEANING AND MAINTENANCE ATTENTION

Air filter net and cooling pad assembly cleaning

If there is too much dust or dirt on the air filter net, the wind effect will be impacted, therefore, it should be cleaned at least once a month.

1. Take the air filter net out first, then the cooling pad can also be taken out (as shown below).



2. Use cleanser and banister brush to clean the air filter net.
3. Dip the cooling pad into cleanser for several minutes, then rinse and dry it.

Water tank cleaning

1. Cut off the power and unlock the water tank knob by rotating the knob to a horizontal position., then take the water tank out.
2. Use a towel to clean the water tank with cleanser, and then use water to wash and pour dirty water out.

Machine body cleaning

1. Turn off the power and unplug the power cord (be sure to unplug the power cord when cleaning the body, or else it may cause electric shock, fire or other personal injury).
2. If dust is accumulated on the surface, please wipe with soft cloth: if the surface is dirty, mix

warm water and neutral detergent, wipe with soft cloth and dry. Avoid washing directly with water.

3. Do not wash with corrosive cleanser or solvent. Do not use gasoline, thinner and any substance that damages the surface easily for cleaning.
4. When cleaning, use ordinary detergent and soft brush. Do not use chemical agents. Do not use corrosive detergent or solvent.
5. Make sure the unit is fully dry or else it may cause electric shock.

Installation after cleaning

1. After cleaning, please ensure that the Outer Dust Filter, Cooling Pad, and Water Tank are correctly installed before using.
2. Link the power and confirm the machine runs smoothly.

Maintenance

1. When the product is not used for a long time, remove the power plug, pack the product and prevent dust from entering the body, or else it may cause mechanical damage.
2. Please ensure the cooling pad and air filter net is dry and there is no water in the tank before packing.
3. After packaging, it should be stored in a dry and ventilated place.
4. If the product fails, please let an authorized service agent repair it. Do not disassemble or replace parts without proper technical advice.

12 TROUBLESHOOTING

Let us help you troubleshoot your concern! This section will help you with common issues. If you need us, visit our website, chat with an agent, or call us. We may be able to help you avoid a service visit. If you do need service, we can get that started for you!

Problem	Possible Causes	Solution
The unit does not cool.	There is insufficient water in the tank.	Check the water level in the tank and make sure there is enough water.
	The water pump is not lowered all the way to the bottom. The pump is defective.	Check the water pump to make sure it is lowered all the way to the bottom, then press the evaporative cooling button. Contact customer service if there is an issue with the water pump.
The unit does not cool on high speed.	The cooling pad is not sufficiently saturated with water.	The cooling pad will be fully soaked after the unit runs for 10 minutes.
The water tank is leaking.	The water tank is damaged.	Contact customer service if there is an issue with the water tank.
The heater function does nothing.	The plug may not be well plugged in to the outlet.	Check whether the plug is properly inserted into the outlet.
	Heater function is not activated.	Check whether the heater function is selected.

This appliance is covered by a limited manufacturer's warranty. For one year from the original date of purchase, the manufacturer will repair or replace any parts of this appliance that prove to be defective in materials and workmanship, provided the appliance has been used under normal operating conditions as intended by the manufacturer.

Warranty Terms:

During the first year, any components of this appliance found to be defective due to materials or workmanship will be repaired or replaced, at the manufacturer's discretion, at no charge to the original purchaser. The purchaser will be responsible for any removal or transportation costs.

Warranty Exclusions:

The warranty will not apply if damage is caused by any of the following:

- Power failure
- Damage in transit or when moving the appliance
- Improper power supply such as low voltage, defective household wiring or inadequate fuses
- Accident, alteration, misuse or abuse of the appliance such as using non-approved accessories, inadequate air circulation in the room or abnormal operating conditions (extreme temperatures)
- Use in commercial or industrial applications
- Fire, water damage, theft, war, riot, hostility or acts of God such as hurricanes, floods, etc.
- Use of force or damage caused by external influences
- Removal of stickers and/or screws
- Partially or completely dismantled appliances

Obtaining Service:

When making a warranty claim, please have the original bill of purchase with purchase date available. The purchaser will be responsible for any removal or transportation costs. Replacement parts and/or units will be new, remanufactured or refurbished and are subject to the manufacturer's discretion.

For technical support and warranty service, please email support@newair.com

FRIGIDAIRE is a pending or registered trademark used under license from Electrolux Home Products, Inc.

All rights reserved.

Manufactured under license by:

NewAir, LLC

6600 Katella Ave, Cypress, CA 90630

FRIGIDAIRE®

welcome *home*

Our home is your home. Visit us if you need help with any of these things:



owner support



accessories



service



registration

(See your registration card for more information.)

newair.com
1 (855) 963-9247