



**For service contact:**  
German Knife Inc.  
1-800-500-3519  
www.turboairinc.com

# OWNER & OPERATOR INSTRUCTION MANUAL

**Model No.**

**GG-22**



## **IMPORTANT SAFETY NOTICE**

To ensure safe and trouble free performance of you new German knife slicer, we suggest that all personnel who will use and maintain the slicer read and understand the manual before operating the equipment. Should there be any questions or if we can be of further assistance, please call us toll free at (800) 500-3519.

[www.turboairinc.com](http://www.turboairinc.com)

## TABLE OF CONTENTS

	PAGE
GG-22 Meat Grinder Instruction Manual	
Inspection.....	3
Standard Features .....	3
Specifications .....	3
Operator Safety .....	4
Assembly and Operating Instructions .....	4 - 5
GG-22 Meat Grinder Parts List .....	6 - 8
Warranty Information .....	9

### **German Knife Industries**

4184 E. Conant St., Long Beach, CA 90808

Phone : 800-500-3519

Fax : 310-900-1066

[www.turboairinc.com](http://www.turboairinc.com)

# GG-22 MEAT GRINDER INSTRUCTION MANUAL

## INSPECTION

All GG-22's are inspected prior to packaging to assure both the machine quality, correct inclusion of options, and proper voltage (115V). However, upon unpacking, all items should be carefully verified that they are correct. Any damage, imperfection, or shortages should be reported immediately to your dealer or directly to German Knife Customer Service, and/or shipment carrier.

## STANDARD FEATURES

- 115 Voltage
- 1 1/2 HP Motor
- 16 Lbs. per minute capacity
- Ideal for "On demand" Meat chopping for processing fresh, boned meat.
- Can be fed at a rapid pace with continuous chopping action and no crushing or mashing of the meat.
- All parts which contact food are easily accessible and readily removable for convenient cleaning without the use of tools.
- Grinder machine will not operate when feed pan is removed.

## SPECIFICATIONS

**MOTOR** : 1 1/2 HP. has grease-packed ball bearings. Protected by machine enclosure, ventilation is provided through two openings in the base covered by perforated metal screen (1.16" diameter holes). Single phase is capacitor-start, induction-run type.

**SWITCH SYSTEM** : Power switch - conveniently mounted at side of machine. Inter-lock switch - located under feed pan.

**TRANSMISSION** : Precision made gears and shafts mounted on ball bearings are fully enclosed in the transmission case, packed with a special oils at the factory. Smooth, quiet operation is assured for years of normal operation. The attachment hub has a double seal, designed to exclude meat juices or water from the transmission. Final out worm gear speed is 143 R.P.M

\* Use and supply oil type : API GL-5 (Gear oil)

**CHOPPING** : GG-22 has a protective type chopping end, with cylinder of the spiral-fluted design. A heat-treated steel knife and plate and feed stomper.

# GG-22 MEAT GRINDER INSTRUCTION MANUAL

**MOTOR** : GG-22 has a stainless steel feed pan - 530 x 330 x 50mm dimensions.

**CAPACITY** : GG-22 will grind 16 lbs. per minute, first cutting through a 6mm plate.

**FINISH** : Standard finish is stainless steel housing. An attractive stainless steel trim plate is provided at the attachment opening, cushioned on the bottom with resilient rubber feet. Provides clearance to keep the table clean under the chopping unit.

**STANDARD EQUIPMENT** : Includes the working unit with protective type chopping end, stainless steel hopper, feed stomper, on knife and one plate. The plate has 6mm diameter holes.

## OPERATOR SAFETY

- Read and understand all instructions and safety warnings prior to operating unit.
- Never put fingers or any utensils (other than the stomper in the throat or entry of the grinder, or in the knife and plate area of the grinder. This is a powerful unit designed to grind meat; use extreme caution and avoid exposing body parts to grinding and cutting areas of the unit.
- Switch the power off and disconnect the electric power supply prior to assembly and disassembly cleaning, or serving.
- Knife is sharp and can cut finger. Use caution when handling.
- Always have bowl securely mounted, worm assembly fully coupled onto drive coupling, and the knife, plate, and ring snugged on before switching the power on.
- Always remove the cylinder from the power drive before cleaning; never rinse with hose while connected power source, (may cause electrical shock).
- For user's safety feed pan has a interlock switch. When the feed pan is removed, power is automatically interrupted preventing injury.

## ASSEMBLY AND OPERATING INSTRUCTIONS

### INTRODUCTION

The GG-22 Meat Grinder consists of a 1 1/2 HP electric motor power base which drives a meat grinder designed to utilize industry standard #22 knives and full range of #22 grinding plates.

The GG-22 has safety and ease of operation built into it. The readily removable feed pan and storage container provide for ease of processing and cleaning.

# GG-22 MEAT GRINDER INSTRUCTION MANUAL

## ASSEMBLY

**WARNING** : Disconnect power supply prior to assembly.

1. Mount the grinding cylinder to the housing by firmly tightening handle onto mounting studs.
2. Slide the knife, sharp edges toward the plate, onto the square of the screw assembly. Slide the plate onto the screw assembly. Screw the ring onto the grinding cylinder until it is just snug. Too much pressure can damage the unit.

**WARNING** : The knife is sharp and can cut fingers.

3. Guide the hopper over the grinding cylinder onto the hopper support.
5. Connect power supply and actuate power switch.

**WARNING** : Never put fingers or utensils in the throat of the grinder or the knife and plate interface.

## PROCESS

1. Cut meat to be processed to fit under or through the safety guard. Set meat in hopper.
2. With grinder running, slide product under the guard of the grinding cylinder. Use the meat stomper if desired, to guide product into grinding zone.
3. Collect product in storage container.

## CLEANING

1. Turn unit off and disconnect from power supply.
2. Disassemble unit in reverse of assembly instructions - Remove storage container, chopper, and then ring, plate, knife, screw assembly, and grinding cylinder assembly.

**WARNING** : The knife is sharp and cut fingers.

3. Clean component including the drive coupling by following the procedure : wash, rinse, sanitize, and air dry. Use the bristle brush provided to clean areas difficult to access. Apply a small amount of food grade lubricant to bronze bushing, located inside the grinding cylinder assembly, before use.
4. Use liquid soap in receptacle of main frame and wipe main frame with damp cloth.
5. Do not use a hose or pressure washer to clean power base unit. This can cause electrical damage.

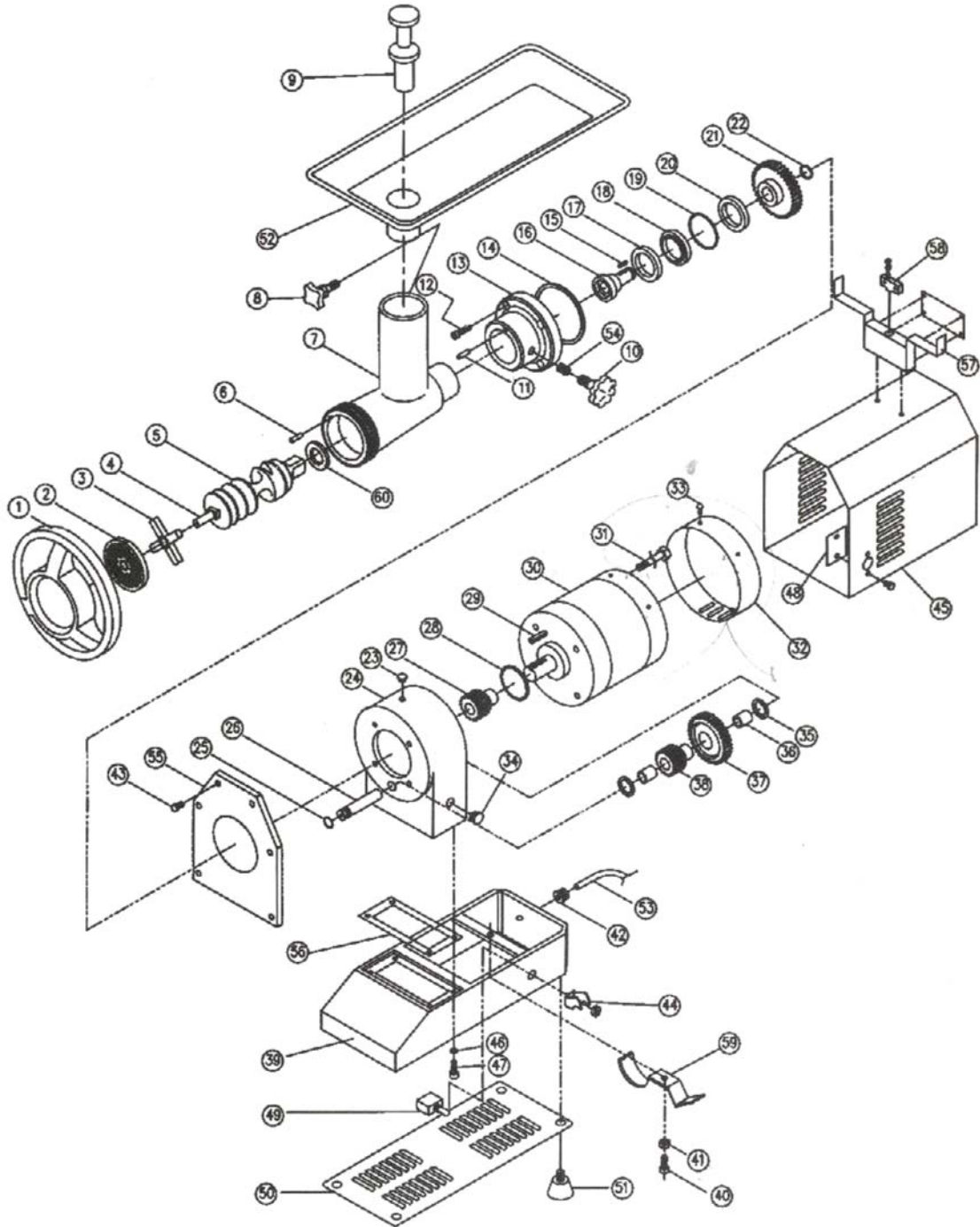
## GG-22 MEAT GRINDER PART LIST

NO.	PART NO.	DESCRIPTION	QTY.
1	420113	RING, #22	1
2	420102	PLATE, 6mm	1
3	420105	KNIFE, #22	1
4	420109	SQUARE STUD	1
5	420108	SCREW, #22	1
6	420125	PIN, PLATE	1
7	420107	CYLINDER	1
8	420116	KNOB, HOPPER	1
9	420131	STOMPER	1
10	420110	HANDLE, CYLINDER	1
11	420132A	STUD, CYLINDER	1
12		WRENCH BOLT, M8 x 20mm	4
13	420104	HOUSING	1
14		O-RING, HOUSING	1
15		KEY, SHAFT 5 x 20	1
16	420111	SQUARE SHAFT	1
17		OIL SEAL	1
18		TAPERED BEARING, #32006	1
19		SNAP RING	1
20		BALL BEARING, #6006ZZ	1
21	420122	HELICAL GEAR, 4st	1
22		SNAP RING, GEAR	1
23		OIL CAP	1
24	420118	GEAR BOX	1
25		O-RING	2
26	420117	GEAR SHAFT	1
27	420119	HELICAL GEAR (1ST)	1
28		O-RING, MOTOR	1
29		KEY, MOTOR	1
30	420129	MOTOR	1

## GG-22 MEAT GRINDER PART LIST

NO.	PART NO.	DESCRIPTION	QTY.
31		BOLT	4
32		MOTOR COVER	1
33		BOLT, MOTOR COVER	3
34		CAP, OIL	1
35		WASHER	2
36		D.U BUSHING	2
37	420120	HELICAL GEAR (2ND)	1
38	420121	HELICAL GEAR (3RD)	1
39	420101	BASE	1
40		BOLT, M8 x 30mm	1
41		NUT, M8	1
42		CORD BUSHING	1
43		BOLT, COVER, M5 x 10mm	6
44		SUPPORT, SWITCH	1
45	420103	COVER	1
46		SPRING WASHER	4
47		WRENCH BOLT, M8 x 30mm	4
48	420123	PLATE, OIL SEE	1
49		POWER SWITCH, TOGGLE	1
50	420124	BASE PLATE	1
51	420115	RUBBER FEET	4
52	420106	FEED FAN	1
53		POWER CORD	1
54		HELICOIL	1
55	420114	FRONT COVER	1
56	420112	GASKET	1
57	420130	FEED PAN SUPPORT	1
58		INTERLOCK SWITCH	1
59	420101B	CAPACITOR CLAMP	1
60	420108B	WASHER	1

# GG-22 MEAT GRINDER PART LIST



# **LIMITED WARRANTY**

## ***Warranty Claims...***

All Claims for parts or labor must be made directly through German Knife or Radiance. All claims should include the model number, serial number, proof of purchase, date of installation and all pertinent information supporting the alleged defect. All warranty claims must be authorized by German Knife or Radiance prior to the purchase of parts or labor. Failure to comply with these warranty policies will result in the voiding of warranty claims.

## ***Products Under Warranty...***

Radiance warrants all heavy duty microwaves to include all new parts and components to be free from defects in material or workmanship under normal and proper use and maintenance service as specified by Radiance upon proper commercial installation. Radiance's obligation under this warranty is limited to a period of three (3) years from the date of original purchase. Any Part covered under this warranty that is found by Radiance to have been defective within 3 years of the original purchase is limited to the repair or replacement, including labor charges, of defective parts or assemblies. The labor charges shall include standard straight time labor charges only and reasonable travel time as determined by Radiance.

Radiance warrants all gas cooking equipment and microwave models TMW-1100MR and TMW-1100ER and German Knife warrants all light duty meat slicers to include all new parts and components to be free from defects in material or workmanship under normal and proper use and maintenance service as specified by German Knife upon proper commercial installation. German Knife's obligation under this warranty is limited to a period of one (1) year from the date of original purchase. Any Part covered under this warranty that is found by German Knife to have been defective within 1 year of the original purchase is limited to the repair or replacement, including labor charges, of defective parts or assemblies. The labor charges shall include standard straight time labor charges only and reasonable travel time as determined by German Knife.

German Knife warrants all heavy duty meat slicers, meat grinders, and meat saws to include all new parts and components to be free from defects in material or workmanship under normal and proper use and maintenance service as specified by German Knife upon proper commercial installation. German Knife's obligation under this warranty is limited to a period of two (2) years from the date of original purchase. Any Part covered under this warranty that is found by German Knife to have been defective within 2 years of the original purchase is limited to the repair or replacement, including labor charges, of defective parts or assemblies. The labor charges shall include standard straight time labor charges only and reasonable travel time as determined by German Knife.

## ***What is Not Covered by This Warranty...***

German Knife's sole obligation under this warranty is limited to either repair or replacement of parts, subject to the additional limitations below. This warranty neither assumes nor authorizes any person to assume obligations other than those expressly covered by this warranty.

No consequential damages. Radiance is not responsible for economic loss; profit loss; or special, indirect, or consequential damages. Warranty is not transferable, this warranty is not assignable and applies only in favor of the original purchaser/user to whom delivered. Any such assignment or transfer shall void the warranties herein and shall void all warranties, express or implied, including any warranty of merchantability or labor coverage for component failure or other warranty packet provided with the unit.

Alteration, neglect, abuse, misuse, accident, damage during transit or installation, fire, flood, acts of god. German Knife is not responsible for the repair or replacement of any parts that radiance determines have been subjected after the date of manufacture to alteration, neglect, abuse, misuse, accident, damage during transit or installation, fire, flood, or act of god. Improper electrical connections. German Knife is not responsible for the repair or replacement of failed or damaged components resulting from electrical power failure, the use of extension cords, low voltage, or voltage drops to the unit. No implied warranty of merchantability or fitness for a particular purpose; there are no other warranties, expressed, implied or statutory, except the warranties expressly granted above. These warranties are exclusive and in lieu of all other warranties, including implied warranty and merchantability or fitness for a particular purpose. There are no warranties, which extend beyond the description on the face hereof.

Outside U.S. and Canada; this warranty does not apply to, and radiance is not responsible for, any warranty claims made on products sold or used outside the continent of the United States and Canada.