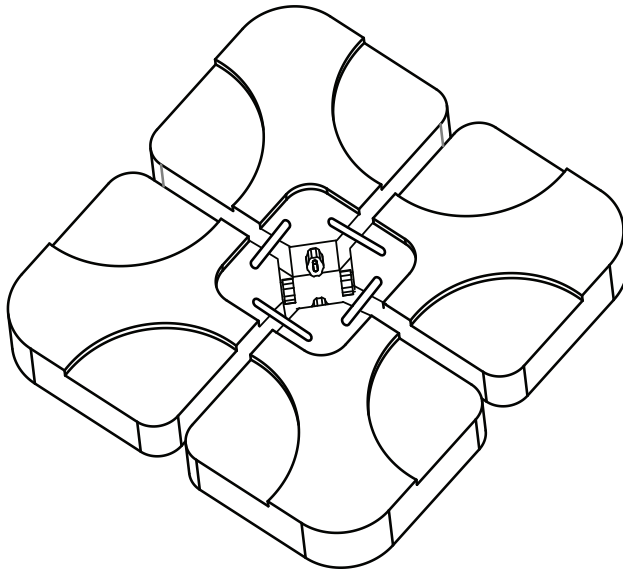


IMPORTANT, RETAIN FOR FUTURE REFERENCE:
READ CAREFULLY



The schematics in this manual are for assembly and operation illustration only.
They may differ from the actual appearance.

For assistance with use, parts, or customer service, please contact:

ATLeisure, LLC

Customer Service is available by email at customerservice@atleisure.com or
chat at <https://help.atleisure.com> 8 AM – 5 PM EST, Monday – Friday.

DO NOT RETURN TO STORE

Contents

Preparation 2
Package Contents 2
Warnings and Cautions 3
Assembly and Operation 3-5
Warranty 5

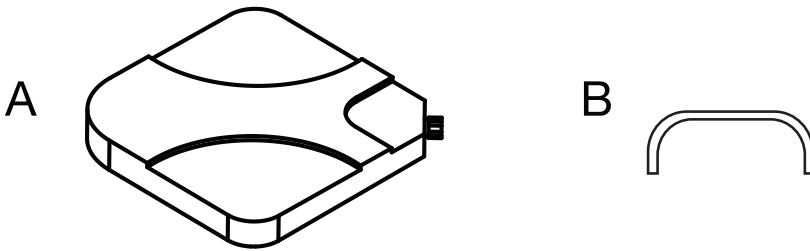
Preparation

Remove all protective materials. Be careful not to throw away small parts such as bolts, washers, etc., that may be wrapped in the protective materials.

Before assembling make sure all parts are present. Compare parts with package contents list. If any part is missing or damaged, do not attempt to assemble the product. Contact our customer service representative for assembly assistance at customerservice@atleisure.com or chat with us at <https://help.atleisure.com> 8 AM - 5 PM EST, Monday - Friday.

Estimated Assembly Time: 20 minutes

Package Contents



Part	Description	Re-order Number	Quantity
A	Plastic Base	UBS-953000	4
B	Connecting Clip	CLIP-953000	4

Warnings and Cautions

- Keep children out of the assembly area during assembly.
- Use the base on flat ground.

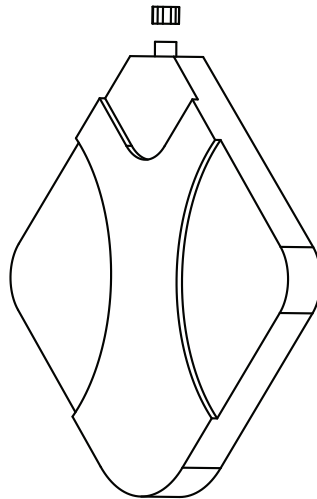
NOTICE: When moving or storing the umbrella for winter, open the base and drain the water and/or sand.



WARNING: Only fill with water in warm climates. Do not fill with Water when the base is exposed to freezing temperatures. The formation and expansion of ice may crack the base.

Assembly and Operation

Step 1: Twist the cap off.

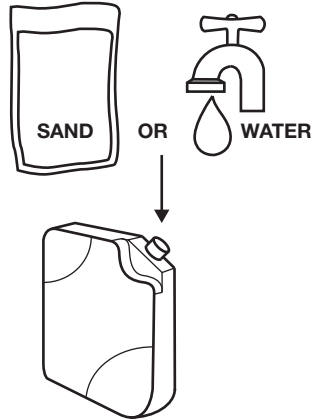


Assembly and Operation (continued)

Step 2: Fill the base with sand or water to increase the weight.

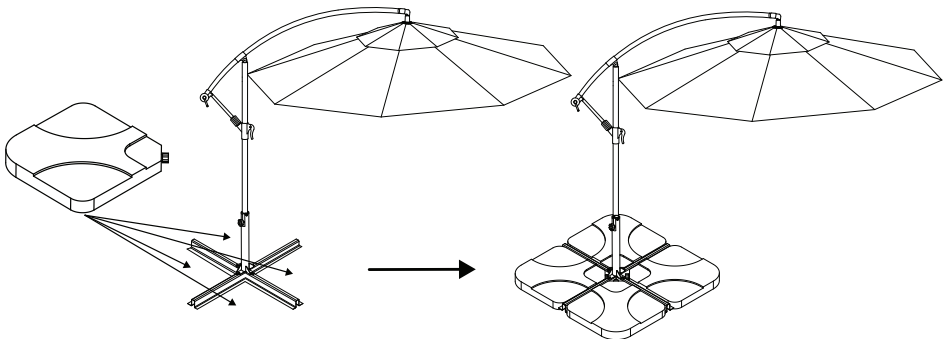


WARNING: Only fill with water in warm climates. Do not fill with Water when the base is exposed to freezing temperatures. The formation and expansion of ice may crack the base.



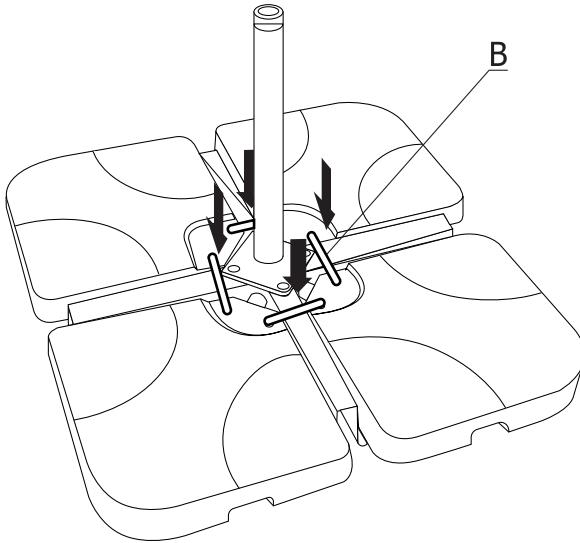
Step 3: Place the water or sand filled bases snug into a corner of the umbrella stand as shown in the diagram.

NOTICE: Use four plastic bases to properly weigh the umbrella base to the ground.



Assembly and Operation (continued)

Step 4: Put Connecting Clip (B) into the Plastic Base and finish assembly.



Warranty

ONE YEAR WARRANTY

This product is covered under a manufacturer's one year warranty from date of purchase against defects in materials and workmanship. This warranty does not cover damage due to neglect, abuse or weather related damage. This warranty gives you specific legal rights, and you may also have other rights which vary from state to state.

Filing a Claim

If you are within your warranty, you may file a claim by sending your receipt and pictures of your damaged umbrella to ATLeisure at:

Email: customerservice@atleisure.com or chat with us at <https://help.atleisure.com> 8:00 AM to 5:00 PM EST (Monday - Friday)

BACKYARD *Creations*®

For assistance with use, parts, or customer service, please contact:

ATLeisure, LLC

Customer Service is available by email at customerservice@atleisure.com or
chat at <https://help.atleisure.com> 8 AM – 5 PM EST, Monday – Friday.

DO NOT RETURN TO STORE

2024 Distributed by Menards, Inc. Eau Claire, WI 54703
Made in China