



APPLIANCES FOR LIVING

**ASO601RX & ASO901RX
ASO620X & ASO920X
OPERATION MANUAL**

 **ARTUSI**
THE ART OF LIVING

Congratulations, you are now the proud owner of an ARTUSI cooking appliance. Thank you for purchasing ARTUSI and welcome to the ARTUSI Family.

This instruction manual has been specially created to inform you of the full range of features your ARTUSI appliance has to offer and serves as an introduction to getting the very best out of your ARTUSI appliance.

We present detailed information on each of the features your ARTUSI appliance consists of. Once you have read this section you will be able to choose the most appropriate settings for your appliance when cooking different types of food.

We ask you to read the instructions in this booklet very carefully as this will allow you to get the best results from using your appliance. KEEP THE DOCUMENTATION OF THIS PRODUCT FOR FUTURE REFERENCE.

TO REGISTER YOUR PRODUCT WITH ARTUSI, PLEASE FILL OUT THE WARRANTY CARD AT THE END OF THIS BOOKLET AND POST IT TO: **REPLY PAID 83617**
LEICHHARDT NSW 2040

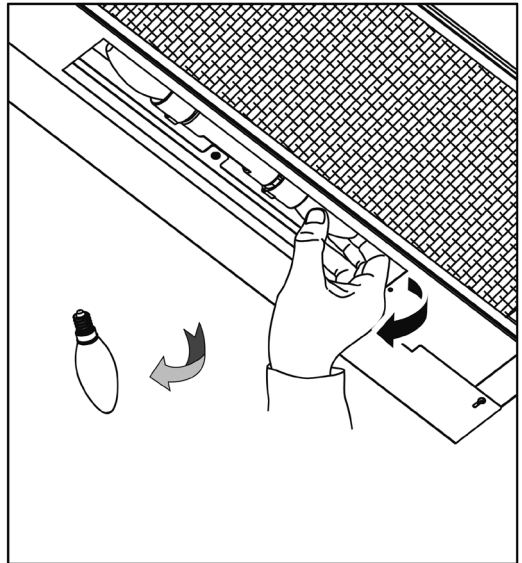
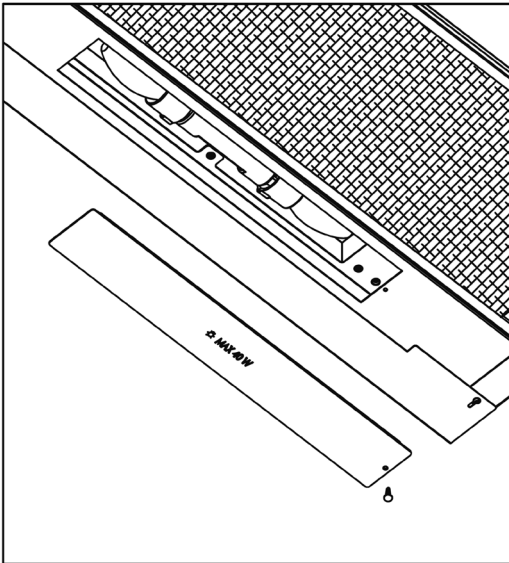
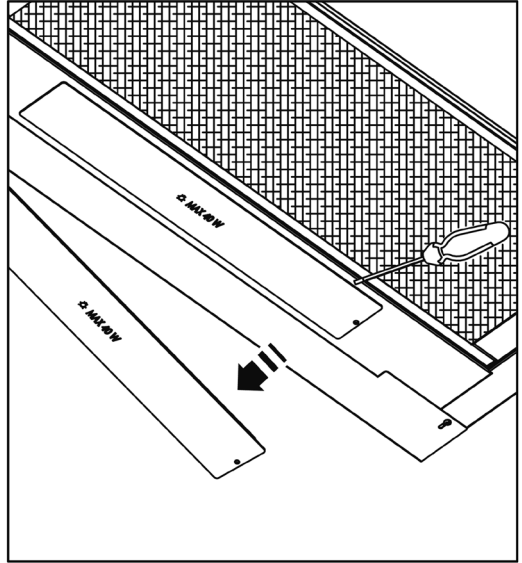
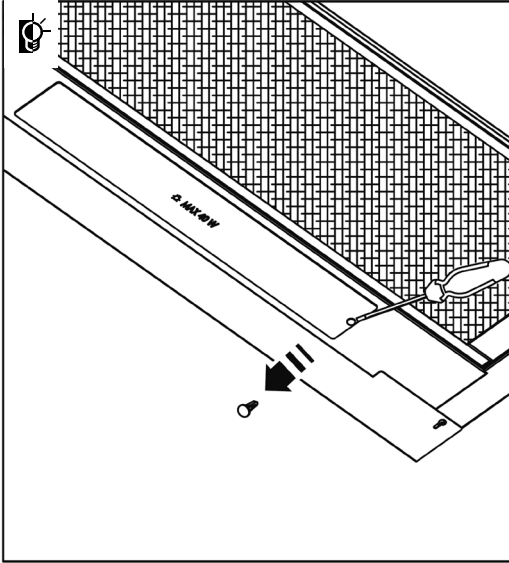
Dear Artusi Customer, please read this user manual carefully before using the product and, keep it permanently at your disposal.

Note: This user manual is prepared for more than one model. Some of the features specified in this Manual may not be available on your appliance.

All our appliances are only for domestic use, not for commercial use. Products marked with (*) are optional.

“THIS APPLIANCE SHALL BE INSTALLED IN ACCORDANCE WITH THE REGULATIONS FORCE AND ONLY USED IN A WELL VENTILATED SPACE. READ THE INSTRUCTIONS BEFORE INSTALLING OR USING THIS APPLIANCE”

“Conforms with the WEEE Regulations.”



EN EXTRACTOR HOOD

Dear Customer,

Thank you for buying our hood. Please read these instructions carefully for its optimum installation, use and maintenance.

Notes: The figures mentioned in this manual are in the first pages.

This hood is designed for fitting in a cabinet or on some other support.

Warning: consult local regulations regarding fumes outlets. Do not connect the hood to a fume, ventilation or hot air duct. Confirm that room ventilation is appropriate with the local authorities. Make sure

the maximum air extraction flow rate for the appliances in the room does not exceed 4 Pa (0.04 mbar). The room must have adequate ventilation if an extractor hood is used simultaneously with appliances that run on gas or other fuels. The evacuated air must be extracted through ducts that are used for evacuating fumes from appliances that run on gas or other fuels. Regulations regarding air extraction must be complied with.

This product is intended for HOUSEHOLD USE only.

Use a rigid PVC pipe with a min. Ø 120 mm to evacuate fumes outside.

The above restrictions do not apply to hoods with no fumes outlet to outside

(recirculation system with activated charcoal filter).

Install the hood in line with the instructions on the template

Install the hood in line with the instructions on the template provided.

For gas cooking appliances only: the minimum distance to the hood must be at least 65 cm.

INSTALLATION

The cooker hood is supplied with

- 1 Spacer (F)
- 4 Screws
- 2 Bulbs

Close the space that remains between the hood and the wall, adjusting the spacer (F).

Before completing any connection, make sure the house voltage corresponds with the voltage indicate on the data label.

Connecting the hood to the grid

Warning: before connecting the hood: switch off the electricity supply and check that the supplied voltage and frequency coincide with that indicated on the appliance nameplate.

If the extractor hood has a plug, connect it to a power socket in line with applicable regulations, located in an accessible area.

If the hood does not have a plug, connect it directly to the electrical grid, protected by a separator device accessible for disconnection, in line with local regulations.

The connection to the electrical mains must be made as follows:

BLUE....."N" NEUTRAL
BROWN....."L" LIVE
GREEN AND YELLOW.....(símbolo tierra) EARTH

If the terminals of the plug are unmarked or if you are in any doubt consult a qualified electrician.

If it is not supplied fit a plug normalized in the cord for the load showed on the rating plate.

USE OF THE HOOD – SAFETY

Warning: the hood may stop working during an electrostatic discharge (e. g. lightning). This involves no risk of damage. Switch off the electricity supply to the hood and reconnect after one minute.

Do not allow the hood to be used by children or persons with reduced (physical, sensory or mental) capabilities or lack of experience and knowledge, unless they have been given instruction concerning use of the appliance by a person responsible for their safety.

Children should be supervised so that they do not play with the appliance.

To avoid the risk of fire, clean the metal filter regularly, permanently control pans containing hot oil and do not flambé food underneath the hood.

Do not use the hood if it shows signs of damage or imperfection. Contact an official distributor or authorised dealer.

Accessible parts may heat up when using cooking appliances.

OPERATION INSTRUCTION

SWITCH ON THE LAMPS (C-1, FIG.2)

- Pull out the grill (G) more than 50 mm,
- Slide the switch (C-1) from position "0" to "1".
- **ASPIRATE SPEED (FIG.2)**
- Pull out the grill (G) more than 50 mm
- Slide the switch (C-2) from position "0" to "1" allow speed.
- Adjust the aspirate speed at mid speed by Slide the switch (C-3) from position " 1" to "2"
- Adjust the aspirate speed at high speed by Slide the switch (C-3) form position "2" to "3"
- Switch off the appliance by slide the switch (C-2) from position "1" to "0"
- LED (C-4) will be lighted up when the aspirate motor operate.

YOU CAN CHANGE THE SPEED DURING OPERATION.

SUCTION VERSION

If the hood is to be installed as a SUCTION hood, connect the plastic outlet piece (A) supplied with the hood (125mm diameter pipe for better performance and lower noise levels.

FILTERED VERSION (INTERNAL RECYCLING) ASO601RX & ASO901RX ONLY

When there is no exhaust duct for venting out-door, you can use a carbon filter (D). The air is deputed by the filter and put again in the surrounding.

The air is released in the room through a connecting pipe, which goes through the hanging cupboard and us connected to the connecting ring supplied (A) Fig 1.

To use the appliance in this version, proceed as follows:

- Open the grids (E)
- To proceed to change the charcoal filter (D).
- Reinstall the grids.

HOOD MAINTENANCE

Warning: always switch off the electricity supply before carrying out maintenance work on the hood. In the event of a fault, contact an official distributor or authorised dealer.

Exterior cleaning: use non-corrosive, liquid detergent and avoid the use of abrasive cleaning products.

Grease filters: to avoid fires, clean thoroughly once a month or whenever the display pilot light indicates as such. To do so, remove the filters and wash with hot water and detergent. If using a dishwasher, position the filters vertically to prevent solid remains from depositing on them.

Activated charcoal filters: replace the every 2 months.

Important: increase the filter cleaning/replacement frequency if the hood is used for more than 2 hours a day. Always use genuine filters from the manufacturer.

Bulb replacement (look for the  symbol in the figures)

Warning: do not handle the bulbs until the electricity supply has been switched off and they have cooled.

Important: use new bulbs according to that indicated on the hood nameplate.

Use bulbs with an aluminium reflector to replace halogen bulbs. Do not use dichroic bulbs - risk of overheating.

On cooker hoods equipped with tungsten lamps, the lights should only be used during operation of the motor. They should not be left on permanently and used as a light source.

Legal information

The manufacturer:

- Declares that this product meets all basic requirements regarding low-voltage electrical equipment established in Directive 2006/95/EC of 12 December 2006 and electro-magnetic compatibility established in Directive 2004/108/EC of 15 December 2004.

- Is not responsible for any failure to observe the instructions given in this manual and current safety regulations for the correct use of the equipment.

- Reserves the right to make any modifications to the equipment or this manual without prior notice.

Contact our official distributor should you require technical assistance or additional information on our products.



Worldwide Appliances Pty Limited
A.B.N. 45868077422

Office:

48-50 Moore Street, Leichhardt N.S.W 2040

Post:

Locked Bag 3000, Annandale, N.S.W 2038

P: 1300 694 583

WARRANTY REGISTRATION

Your ongoing satisfaction with your artusi product is important to us. We ask that you complete the enclosed Warranty Registration Card and return it to us so that we have a record of the artusi product purchased by you.

PRIVACY

Worldwide Appliances respects your privacy and is committed to handling your personal information in accordance with the National Privacy Principles and the Privacy Act 1988 (Cth). A copy of the Worldwide Appliances Privacy Policy is available at www.artusi.com.au. Worldwide Appliances will not disclose any personal information set out in the Warranty Registration Card ("Personal Information") without your consent unless required by:

1. law;
2. any Worldwide Appliances related company;
3. any service provider which provide services to artusi or assist artusi in providing services (including repair and warranty services) to customers. Our purpose in collecting the Personal Information is

to keep a record of the artusi product purchased by you, in order to provide a better warranty service to you in the unlikely event that there is a problem with your artusi product. Worldwide Appliances may contact you at any one or more of the address, email address or telephone numbers set out in the Warranty Registration Card. Please contact artusi on 1300 694 583 should you not wish to be contacted by Worldwide Appliances.

WARRANTY

1. Warranty

Worldwide Appliances warrants that each artusi product will remain, for a period of either 12 months or 24 months of warranty. All Warranties are valid from the original date of purchase, And warranty claims must be accompanied by the proof of purchase.

24 months warranty products:

All Built-in Appliances – Limited to Ovens, Gas, Induction and Electric Cooktops, and All Rangehoods

Freestanding Cookers - Gas and Electric Models (900mm Width)

Dishwashers - Freestanding, Fully Integrated, Semi Integrated and built-in

12 months warranty products:

Freestanding Cookers - Gas and Electric Models in 50cm, 54cm and 60cm Widths

Portable Appliances* – Benchtop Models and Portable Gas Models

2. What is not Covered by the Warranty.

The Warranty does not apply if an artusi product is defective by a factor other than a defect arising in the manufacture of the artusi product, including but not limited to:

- (a) damage through misuse (including failure to maintain, service or use with proper care), neglect, accident or ordinary wear and tear (including deterioration of parts and accessories and glass breakage);
- (b) use for purpose for which the artusi product was not sold or designed;
- (c) use or installation which is not in accordance with any specified instructions for use or installation;
- (d) use or operation after a defect has occurred or been discovered;
- (e) damage through freight, transportation or handling in transit (other than when Worldwide Appliances is responsible);
- (f) damage through exposure to chemicals, dusts, residues, excessive voltage, heat, atmospheric conditions or other forces or environmental factors outside the control of Worldwide Appliances;
- (g) repair, modification or tampering by the purchaser or any person other than Worldwide Appliances, an employee of Worldwide Appliances or an authorised artusi service contractor*;
- (h) use of parts, components or accessories which have not been supplied or specifically approved by artusi.
- (i) damage to surface coatings caused by cleaning or maintenance using products not recommended in the artusi product handbook provided to the purchaser upon purchase of the artusi product;
- (j) damage to the base of an electric oven due to items having been placed on the base of the oven cavity or covering the base, such as aluminium foil (this impedes the transfer of heat from the element to the oven cavity and can result in irreparable damage); or
- (k) damages, dents or other cosmetic imperfections not affecting the performance of the artusi in respect of an artusi product purchased as a "factory second" or from display

The Warranty does not extend to light globes used in artusi products.

3. Domestic Use

Each artusi product is made for domestic use. This Warranty may not extend to artusi products used for commercial purposes.

Continued over...

4. Time for Claim under the Warranty

You must make any claim under this Warranty within twenty eight (28) days after the occurrence of an event which gives rise to a claim pursuant to the Warranty, by booking a service call on the telephone number below.

5. Proof of Purchase

Customers must retain proof of purchase in order to be eligible to make a warranty claim in respect of an artusi product.

6. Claiming under the Warranty

Customers will bear the cost of claiming under this Warranty unless Worldwide Appliances determines the expenses are reasonable, in which case the customer must claim those expenses by providing written evidence of each expense to Worldwide Appliances at the address on the Warranty Registration Card.

7. Statutory Rights

(a) These terms and conditions do not affect your statutory rights.

(b) The limitations on the Warranty set out in this document do not exclude or limit the application of the consumer guarantees set out in the Act or any other equivalent or corresponding legislation in the relevant jurisdiction where to do so would:

(i) contravene the law of the relevant jurisdiction; or

(ii) cause any part of the Warranty to be void.

(c) Worldwide Appliances excludes indirect or consequential loss of any kind (including, without limitation, loss of use of the artusi product) and (other than expressly provided for in these terms and conditions) subject to all terms, conditions and warranties implied by custom, the general law, the Act or other statute.

(d) The liability of Worldwide Appliances to you

for a breach of any express or non-excludable implied term, condition or warranty is limited at the option of Worldwide Appliances to:

(i) replacing or repairing the defective part of the artusi product;

(ii) paying the cost of replacing or repairing the defective part of the artusi product;

(iii) replacing the artusi product; or

(iv) paying the cost of replacing the artusi product.

(e) Our goods come with guarantees that cannot be excluded under the Australian Consumer Law. You are entitled to a replacement or refund for a major failure and for compensation for any other reasonably foreseeable loss or damage. You are also entitled to have the goods repaired or replaced if the goods fail to be of acceptable quality and the failure does not amount to a major failure.

8. Defects

Any part of an artusi product deemed to be defective and replaced by Worldwide Appliances is the property of Worldwide Appliances. Worldwide Appliances reserves the right to inspect and test artusi products in order to determine the extent of any defect and the validity of a claim under the Warranty.

*To locate your closest artusi authorised service agent please contact us on 1300 652 100 or visit www.artusi.com.au

ALL SERVICE CALLS MUST BE BOOKED THROUGH AN AUTHORISED DEALER OR WARRANTY DEPARTMENT ON 1300 652 100 OR stokesaps.com.au/artusi-service

01032014



Warranty Card tear off

WARRANTY REGISTRATION CARD
01052013

Please complete and send to ARTUSI at: REPLY PAID 83617
LEICHHARDT NSW 2040

Last Name:		First Name:	
Address:			
State:	Postcode:	Email:	
Home Phone:		Mobile:	
Purchase Date: / /		(Please attach proof of purchase to validate warranty)	

MODEL NUMBER	SERIAL NUMBER (if you cannot locate the serial number please call ARTUSI on 1300 694 583)
1	
2	
3	
4	

01032014





DISCLAIMER

Worldwide Appliances PTY LTD, trading as ARTUSI, is continually seeking ways to improve the design specifications, aesthetics and production techniques of its products. As a result alterations to our products and designs take place continually. Whilst every effort is made to produce information and literature that is up to date, this brochure should not be regarded as an infallible guide to the current specifications, nor does it constitute an offer for the sale of any particular product. Product dimensions indicated in our literature is indicative only. Actual product only should be used to define dimension cutouts. Distributors, and retailers are not agents of ARTUSI and are not authorised to bind ARTUSI by any express or implied undertaking or representation.

ARTUSI OFFICES ARE OPEN DAILY FROM 9AM-5PM AND SATURDAYS 10AM-4PM

NSW & ACT (HEAD OFFICE)
48-50 MOORE STREET
LEICHHARDT
F 02 8569 4699

VIC, TAS & SA
1211 TOORAK ROAD
CAMBERWELL
F 03 9809 2155

QLD
1/42 CAVENDISH ROAD
COORPAROO
F 07 3397 0850

WA & NT
UNIT 10/55 HOWE STREET
OSBORNE PARK
F 08 9201 9188

NZ
PO BOX 11160
SOCKBURN CHRISTCHURCH
F 03 344 5906

P: 1300 649 583

ARTUSI.COM.AU

