

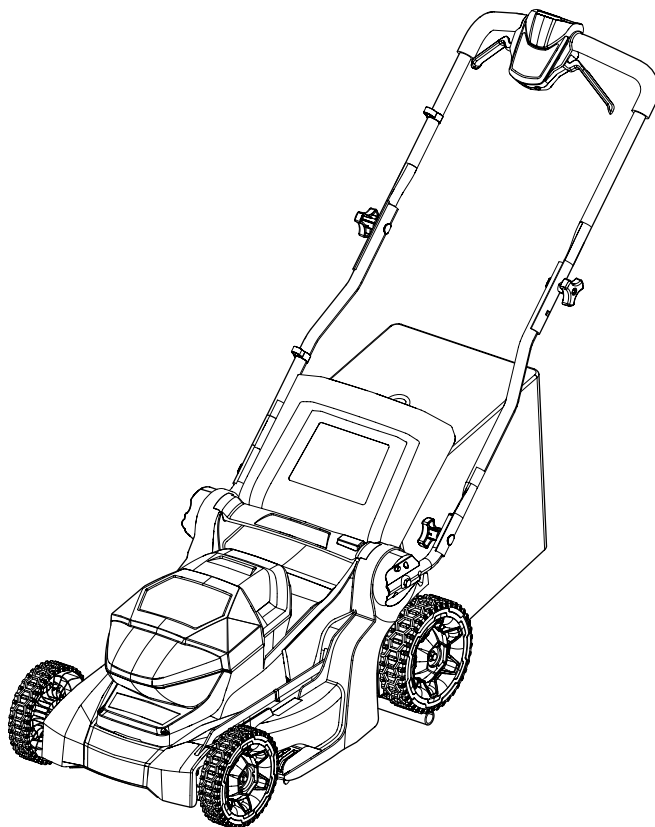
KOBALT™

KOBALT and logo design are trademarks or registered trademarks of LF, LLC. All rights reserved.

ITEM #6036641
MODEL #KM 4224A-06

17-INCH PUSH MOWER

Español p. 28



Serial Number _____

Purchase Date _____

Thank you for purchasing this KOBALT product.
Questions, problems or missing parts?
Before returning, contact us on:
888-356-2258, 8 a.m. - 8 p.m., EST, Monday - Sunday or ascs@lowes.com.

DF25329

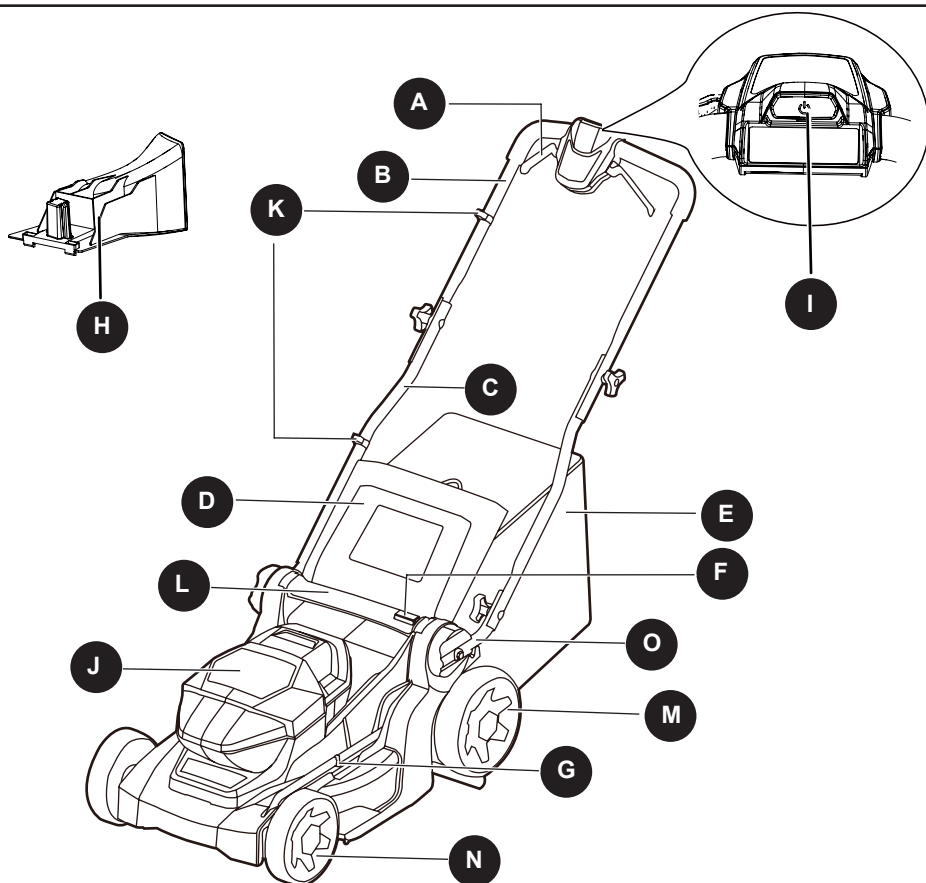
TABLE OF CONTENTS

Product Specifications.....	2
Package Contents.....	3
Hardware Contents.....	4
Symbols.....	5
Safety Information.....	6
Preparation.....	14
Assembly Instructions.....	15
Operating Instructions.....	19
Care and Maintenance	21
Troubleshooting.....	24
Warranty.....	25
Replacement Parts List.....	26

PRODUCT SPECIFICATIONS

SPECIFICATIONS	
Rated voltage	48V DC
No-load speed	3500 RPM
Approximate cutting height settings	1.6 in. (40mm); 2 in. (50mm); 2.5 in. (63mm); 3 in. (76mm); 3.4 in. (86mm); 3.9 in. (98mm)
Cutting Design	2-in-1: Mulch or rear bag
Tool Only Weight	36.4 lbs. (16.5kg)
Deck Size	17 in.
Cutting Diameter	16 in.
Grass Bag Volume	1.42 Bushel (50 L)

PACKAGE CONTENTS

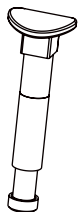


PART	DESCRIPTION	QUANTITY
A	Blade activation lever	1
B	Upper handle	1
C	Lower handle	1
D	Rear discharge door	1
E	Grass bag	1
F	Height adjustment button	1
G	Height adjustment indicator	1

PART	DESCRIPTION	QUANTITY
H	Mulching plug	1
I	Power button	1
J	Battery door	1
K	Cable Clip	2
L	Rear handle	1
M	Rear wheel	2
N	Front wheel	2
O	Bent rod	2

HARDWARE CONTENTS (not shown actual size)

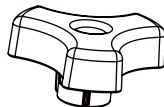
AA



Handle bolt

Qty. 4

BB



Handle knob








Qty. 4

⚠WARNING

- Remove the product from the package and examine it carefully. Do not discard the carton or any packaging material until all parts have been examined.
- If any part of the product is missing or damaged, do not attach the battery to use the product until the part has been repaired or replaced. Failure to heed this warning could result in serious injury.




SYMBOLS

Some of the following symbols may be used on this product. Please study them and learn their meaning. Proper interpretation of these symbols will allow you to operate the product better and safer.


SYMBOLS	EXPLANATION
	Precautions that involve your safety.
	To reduce the risk of injury user must read and understand operator's manual before using this product.
	Do not expose to rain or use in damp locations.
	Keep hands and feet away from blade and cutting area.
	WARNING — Beware of thrown objects — keep bystanders away.
	WARNING — Keep hands and feet away from the blades.
	WARNING — Disconnect all batteries before maintenance.

SAFETY INFORMATION

The following signal words and meanings are intended to explain the levels of risk associated with this product.

SYMBOL	SIGNAL	MEANING
	DANGER	Indicates an imminently hazardous situation, which, if not avoided, will result in death or serious injury.
	WARNING	Indicates a potentially hazardous situation, which, if not avoided, could result in death or serious injury.
	CAUTION	Indicates a potentially hazardous situation, which, if not avoided, may result in minor or moderate injury.
	CAUTION	(Without Safety Alert Symbol) Indicates a situation that may result in property damage.

WARNING

- To avoid serious personal injury, do not attempt to use this product until you have read this owner's manual thoroughly and understand it completely. If you do not understand the warnings and instructions in this owner's manual, do not use this product. Call **888-356-2258** for assistance.
-  The operation of any product can result in foreign objects being thrown into your eyes, which can result in severe eye damage. Before operating a product, always wear safety goggles, safety glasses with side shields, or a full-face shield when needed. A Wide Vision Safety Mask is recommended for use over eyeglasses or standard safety glasses with side shields. Always use eye protection that is marked to comply with ANSI Z87.1.

SAFETY INFORMATION

LAWNMOWER SAFETY WARNINGS

READ ALL INSTRUCTIONS CAREFULLY

WARNING

Read all safety warnings, instructions, illustrations and specifications provided with this lawnmower. *Failure to follow all instructions listed below may result in electric shock, fire and/or serious injury.*

Save all warnings and instructions for future reference.

Work area safety

- **To avoid bystander contact with the moving blade or a thrown object injury, keep the area of operation clear of all bystanders, particularly small children.** *Stop the lawnmower and any attachment(s) if anyone enters the area. Contact with the moving blade or thrown objects may result in serious personal injury or death.*
- **Only operate the lawnmower in daylight or good artificial light.** *Dark areas invite accidents.*
- **Do not operate lawnmowers in explosive atmospheres, such as in the presence of flammable liquids, gases or dust.** *Lawnmowers create sparks which may ignite the dust or fumes.*
- **Do not use the lawnmower in bad weather conditions, especially when there is a risk of lightning.** *This decreases the risk of being struck by lightning.*
- **Thoroughly inspect the area where the lawnmower is to be used and remove all stones, sticks, wires, bones, and other foreign objects.** *Thrown objects can cause personal injury.*

Electrical safety

- **Do not expose the lawnmower to rain or wet conditions.** *Water entering a lawnmower may increase the risk of electric shock.*

Personal safety

- **Use personal protective equipment. Always wear eye protection.** *Protective equipment will reduce personal injuries.*
- **Dress properly. Do not wear loose clothing or jewelry.** *Keep your hair and clothing away from moving parts. Loose clothes, jewelry or long hair can be caught in moving parts.*
- **While operating the lawnmower, always wear long trousers.** *Exposed skin increases the likelihood of injury from thrown objects.*
- **While operating the lawnmower, always wear non-slip and protective footwear.** *Do not operate the lawnmower when barefoot or wearing open sandals. This reduces the chance of injury to the feet from contact with the moving blade.*
- **Prevent unintentional starting.** *Ensure the switch is in the off-position before connecting to power source and/or batteries, picking up or carrying the lawnmower. Carrying a lawnmower with your finger on the switch or energizing a lawnmower that has the switch on invites accidents.*
- **Remove any adjusting key or wrench before turning the lawnmower on.** *A wrench or a key left attached to a rotating part of the lawnmower may result in personal injury.*
- **Keep proper footing and balance at all times.** *This enables better control of the lawnmower in unexpected situations.*
- **Stay alert, watch what you are doing and use common sense when operating a lawnmower.** *Do not use a lawnmower while you are tired or under the influence of drugs, alcohol or medication. A moment of inattention while operating a lawnmower may result in serious personal injury.*

SAFETY INFORMATION

- **Do not let familiarity gained from frequent use of lawnmower allow you to become complacent and ignore lawnmower safety principles.** *A careless action can cause severe injury within a fraction of a second.*
- **To avoid operator blade contact or a thrown object injury, stay in the operator zone behind the lawnmower handles.** *Blade contact or thrown objects may result in serious personal injury.*
- **Do not touch blades and other hazardous moving parts while they are still in motion.** *This reduces the risk of injury from moving parts.*

Lawnmower use and care

- **Use the lawnmower and accessories in accordance with these instructions, taking into account the working conditions and the work to be performed.** *Use of the lawnmower for operations different from those intended may result in a hazardous situation.*
- **Before using the lawnmower, always visually inspect to see that the blade(s) and the blade(s) assembly are properly secured and not worn or damaged.** *Loose, worn, or damaged parts may increase the risk of injury.*
- **Keep guards and other safety devices in place, properly mounted, and in working order.** *A guard or other safety device that is loose, damaged, or is not functioning correctly may result in personal injury.*
- **Keep all cooling air inlets clear of debris.** *Blocked air inlets and debris may result in overheating or risk of fire.*
- **Do not use the lawnmower if the switch does not turn it on and off.** *Any lawnmower that cannot be controlled with the switch is dangerous and must be repaired.*
- **Do not operate the lawnmower in wet grass. Walk, never run.** *This reduces the risk of slipping and falling which may result in personal injury.*
- **Do not operate the lawnmower on excessively steep slopes.** *This reduces the risk of loss of control, slipping and falling which may result in personal injury.*
- **Do not force the lawnmower. Use the correct lawnmower for your application.** *The correct lawnmower will do the job better and safer at the rate for which it was designed.*
- **Be aware of the mower and attachment discharge direction and do not point the mower discharge at anyone.** *Thrown objects can cause personal injury.*
- **Use extreme caution when reversing or pulling the lawnmower towards you. Always be aware of your surroundings.** *This reduces the risk of tripping during operation.*
- **When working on slopes, always be sure of your footing, always work across the face of slopes, never up or down and exercise extreme caution when changing direction.** *This reduces the risk of loss of control, slipping and falling which may result in personal injury.*
- **Operate the disabling device and/or remove all battery packs, if removable, from the lawnmower before making any adjustments, changing accessories, or storing the lawnmower.** *Such preventive safety measures reduce the risk of starting the lawnmower accidentally.*
- **Keep handles and grasping surfaces dry, clean and free from oil and grease.** *Slippery handles and grasping surfaces do not allow for safe handling and control of the lawnmower in unexpected situations.*
- **Check the grass bag frequently for wear or deterioration.** *A worn or damaged grass bag may increase the risk of personal injury.*

SAFETY INFORMATION

- **Before removing the grass bag, turn off the motor and wait until the blade(s) comes to a complete stop.** *The cutting blade(s) continues to rotate after the blade control is released. Never place any part of the body in the blade(s) area until you are certain the motor is off and the blade(s) has stopped rotating. Contact with the moving cutting blade(s) may result in serious personal injury.*
- **Before unclogging the chute, turn off the motor, wait until the blade(s) comes to a complete stop, operate the disabling device and/or remove all batteries, if removable.** *The cutting blade(s) continues to rotate after the blade control is released. Never place any part of the body in the blade(s) area until you are certain the motor is off and the blade(s) has stopped rotating. Contact with the moving cutting blade(s) may result in serious personal injury.*
- **Before cleaning or inspecting the lawnmower, turn off the motor, wait until the blade(s) comes to a complete stop, operate the disabling device and/or remove all batteries, if removable.** *Accidental contact with the moving blade and moving parts may result in personal injury.*
- **Maintain the lawnmower and accessories.** *Check for misalignment or binding of moving parts, breakage of parts and any other condition that may affect the lawnmower's operation. If damaged, have the lawnmower repaired before use. Many accidents are caused by poorly maintained lawnmowers.*
- **Store idle lawnmowers out of the reach of children and do not allow persons unfamiliar with the lawnmower or these instructions to operate the lawnmower.** *Lawnmowers are dangerous in the hands of untrained users.*

Battery lawnmower use and care

- **Use lawnmowers only with specifically designated battery packs.** *Use of any other battery packs may create a risk of injury and fire.*
- **Recharge only with the charger specified by the manufacturer.** *A charger that is suitable for one type of battery pack(s) may create a risk of fire when used with another battery pack(s).*
- **Follow all charging instructions and do not charge the battery pack(s) or lawnmower outside the temperature range specified in the instructions.** *Charging improperly or at temperatures outside the specified range may damage the battery and increase the risk of fire.*
- **Do not use a battery pack or lawnmower that is damaged or modified.** *Damaged or modified batteries may exhibit unpredictable behavior resulting in fire, explosion or risk of injury.*
- **Do not expose a battery pack(s) or lawnmower to fire or excessive temperature.** *Exposure to fire or temperature above 265°F(130°C) may cause explosion.*
- **Under abusive conditions, liquid may be ejected from the battery(ies); avoid contact.** *If contact accidentally occurs, flush with water. If liquid contacts eyes, additionally seek medical help. Liquid ejected from the battery(ies) may cause irritation or burns.*
- **When battery packs are not in use, keep them away from other metal objects, like paper clips, coins, keys, nails, screws or other small metal objects that can make a connection from one terminal to another.** *Shorting the battery terminals together may cause burns or a fire.*

Service

- **Have your lawn mower serviced by a qualified repair person using only identical replacement parts.** *This will ensure that the safety of the lawn mower is maintained. Use of parts which do not meet the original equipment specifications may lead to improper performance and compromise safety.*

SAFETY INFORMATION

- **Never service damaged battery packs.** Service of battery packs should only be performed by the manufacturer or authorized service providers.

SAFETY FEATURES ON THE PRODUCT

WARNING

- Carefully read and understand the safety precautions below before using the product.
- Ensure that the safety hardware on the product is functioning properly before use.
- Regularly inspect the safety hardware, and if any defects are found, please contact your nearest service center immediately.

Check the cutting deck

- The cutting deck is designed to reduce vibrations in the product and minimize the risk of injury from the blade.
- To ensure safe operation of the mower, it's important to inspect the cutting deck for any damages, such as cracks.

Check the grass bag

- The grass bag wears during operation, so it is important to inspect it regularly for damages such as tears or holes. If there is any damage, replace it immediately with a grass bag approved by the manufacturer.

Check the blade activation lever

- The blade activation lever starts the motor. When the lever is released, the motor stops.
- It's important to perform regular checks on the blade activation lever. To do this, power on the motor and then release the lever. If the motor doesn't stop within 3 seconds, there may be an issue with the lever. And it's recommended to have an approved service center adjust the lever.

Battery safety

- Refer to the Battery Operator Manual for warning instructions before you use the product.

Battery charger safety

- Refer to the Battery Charger Operator Manual for warning instructions before you use the product.

Safety instructions for maintenance

- To prevent accidental start during maintenance, always turn off the product and remove the battery(ies) and safety key. Wait for at least 5 seconds before starting any maintenance work.
- Follow the maintenance instructions correctly to increase the product's lifetime and reduce the risk of accidents. Professional repairs must be done by a technician at an approved service center.
- Only perform the maintenance tasks listed in the operator's manual. Any other maintenance work should be done by a technician.
- Wear heavy-duty gloves when using the cutting equipment to prevent injuries from the sharp blade.
- Keep the cutting edges clean and sharp for optimal and safe performance.
- If you are experiencing difficulties with maintenance, have a service technician conduct regular inspections of the product and make any necessary adjustments and repairs.
- Replace any damaged, worn, or broken parts immediately.
- Follow the manufacturer's instructions when changing accessories. Only use accessories approved by the manufacturer.
- When not in use, store the product, battery, and battery charger in a dry, indoor, and locked area. Keep the product, battery, and battery charger out of the reach of children and unauthorized persons.

BATTERY & CHARGER

CAUTION

Use only Kobalt approved replacement batteries. Other batteries may cause injury or damage to the mower. Use only with the battery packs and chargers listed below:

BATTERY PACK: KB 224-03, KB 224-06, KB 324-06, KB 424-03, KB 424A-06, KXB 424-03, KB 424-06, KB 524-03, KB 524-06, KB 624-03, KB 624-06, KXB 824-03, KB 824-06

CHARGER: KRC 2445-03, KCH 2401-03, KDPC 124-03, KRC 2490-03, KCH 2411-03, KRC 2404-03, KCH 324-06, KCH 624-06, KCH 1024-06, KCH 1424-06

For best performance results, use with (2) 4.0 Ah Batteries or higher.

BATTERY SAFETY RULES

- Battery tools do not have to be plugged into an electrical outlet; therefore, they are always in operating condition. Be aware of possible hazards when not using your battery tool or when changing accessories. Following this rule will reduce the risk of electric shock, fire, or serious personal injury.
- Do not place battery tools or their batteries near fire or heat. This will reduce the risk of explosion and possibly injury.
- Do not crush, drop or damage battery pack. Do not use a battery pack or charger that has been dropped or received a sharp blow. A damaged battery is subject to explosion. Properly dispose of a dropped or damaged battery immediately.
- Batteries can explode in the presence of a source of ignition, such as a pilot light. To reduce the risk of serious personal injury, never use any cordless product in the presence of open flame. An exploded battery can propel debris and chemicals. If exposed, flush with water immediately. Do not charge battery tool in a damp or wet location. Following this rule will reduce the risk of electric shock.
- For best results, your battery tool should be charged in a location where the temperature is more than 43°F (6°C) but less than 104°F (40°C). To reduce the risk of serious personal injury, do not store outside or in vehicles.
- Under extreme usage or temperature conditions, battery leakage may occur. If liquid comes in contact with your skin, wash immediately with soap and water. If liquid gets into your eyes, flush them with clean water for at least 10 minutes, then seek immediate medical attention. Following this rule will reduce the risk of serious personal injury.
- When battery pack is not in use, keep it away from other metal objects like: paper clips, coins, keys, nails, screws, or other small metal objects that can make a connection from one terminal to another. Shorting the battery terminals together may cause sparks, burns, or a fire.
- Always remove battery pack from your tool when you are assembling parts, making adjustments, cleaning, or when not in use. Removing battery pack will prevent accidental starting that could cause serious personal injury.
- Always remove battery pack before storing the device. When battery becomes fully charged, unplug the charger from the power supply and remove the battery pack from the charger.
- Always wear eye protection with side shields marked to comply with ANSI Z87.1, along with hearing protection. Failure to do so could result in objects being thrown into your eyes and other possible serious injuries.
- Keep battery pack dry, clean, and free from oil and grease. Always use a clean cloth when cleaning. Never use brake fluids, gasoline, petroleum-based products, or any solvents to clean battery pack.

SAFETY INFORMATION

PROPER BATTERY CARE

Off-season storage

To obtain the longest possible battery life, the following steps are suggested:

- Remove the battery packs from the charger once it is fully charged and ready for use.

For battery pack storage longer than 30 days:

- Store the battery packs where the temperature is below 80°F and away from moisture.
- Store battery packs in a 30% - 50% charged condition.
- Every two months of storage, charge the packs as normal.

CHARGER SAFETY RULES

- Charge the mower batteries in a dry area that is protected from the weather. Do not expose the mower or the charger to rain. Do not charge the batteries in a wet location. Operate the battery charger in temperatures between 43°F and 104°F. In order to reduce the risk of electric shock, use only the charger that is provided by the manufacturer to charge the batteries.
- Do not misuse the charger cords. Never carry the charger by the cords. Do not disconnect the charger from the outlet by pulling the charger cords.
- Do not use a damaged charger. Replace the charger cords or the charger immediately.
- Keep the mower and the charger away from water, heat sources (radiators, heaters, stoves, etc.), flames, and chemicals.
- Make sure the battery packs are plugged into the charger before beginning operation.
- The battery packs will become slightly warm to the touch while charging. This is normal and does not indicate a problem.
- Do not place the charger and battery pack in an area of extreme heat or cold. They will work best at normal room temperature.
- When batteries become fully charged, unplug the charger from the power supply and remove the battery pack.

WARNING

When transporting or servicing unit, always remove the batteries.

WARNING (PROPOSITION 65)

Some dust created by power sanding, sawing, grinding, drilling, and other construction activities contains chemicals known to cause cancer, birth defects or other reproductive harm. Some examples of these chemicals are:

- Lead from lead-based paints
- Crystalline silica from bricks and cement and other masonry products, and
- Arsenic and chromium from chemically treated lumber.

Your risk of exposure to these chemicals varies depending on how often you do this type of work. To reduce your exposure to these chemicals, work in a well-ventilated area, and work with approved safety equipment, such as dust masks that are specially designed to filter out microscopic particles.

▲ SAFETY INFORMATION

SERVICE

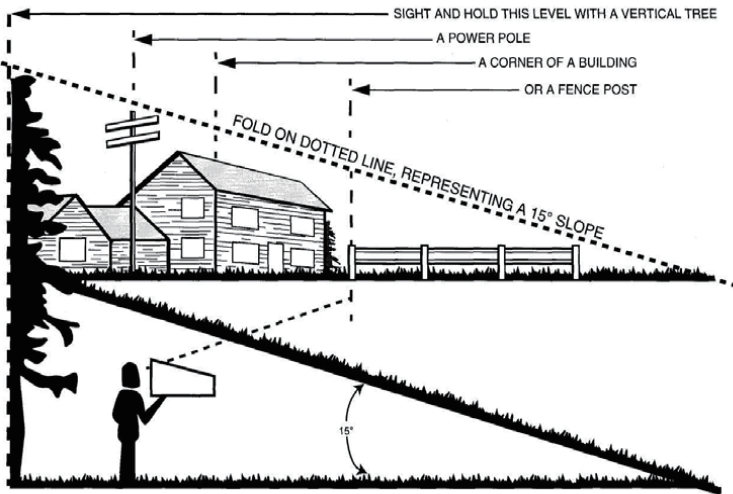
Servicing requires extreme care and knowledge and should be performed only by a qualified service technician. For service, it is suggested you return the product to your nearest AUTHORIZED SERVICE CENTER for repair. When servicing, use only identical replacement parts.

Slope gauge

▲WARNING

Slopes are a major factor related to accidents involving slips and falls, which can result in severe injury. Operating the mower on a slope requires extra caution. If you feel uneasy on a slope, do not mow it. For your safety, use the slope gauge that is included as part of this manual to measure slopes before operating this unit on a sloped or hilly area.

- Mow across the face of a slope, and never up and down. Exercise extreme caution when changing direction on a slope.
- Watch for holes, ruts, rocks, hidden objects, or bumps that may cause a slip or a trip. Tall grass can hide obstacles.
- Always be sure of your footing. If you feel like you are losing your balance, release the blade/motor control handle immediately. The blade will stop rotating within 3 seconds.
- Do not mow near drop-offs, ditches, or embankments, because you could lose your footing or balance.
- Do not mow slopes greater than 15°, as determined using the slope gauge.
- Do not mow wet or damp grass. Unstable footing can cause slipping.



▲WARNING

Do not mow a slope that has an angle of greater than 15° [a rise of approximately 2-1/2 ft. (0.75 m) every 10 ft. (3 m)]. Mow across the face of a slope, and never up and down.

SAVE THESE INSTRUCTIONS

PREPARATION

Before beginning assembly of product, make sure all parts are present. Compare parts with package contents list and hardware contents list. If any part is missing or damaged, do not attempt to assemble the product.

UNPACKING

- Carefully remove the product and any accessories from the box. Make sure that all items listed in the package contents and hardware contents lists are included.
- Inspect the product carefully to make sure no breakage or damage occurred during shipping.
- Do not discard the packing material until you have carefully inspected and operated the product.
- If any parts are damaged or missing, please call **888-356-2258** for assistance. You could also contact us at **ascs@lowes.com**.

Estimated Assembly Time: 5 minutes

ASSEMBLY INSTRUCTIONS

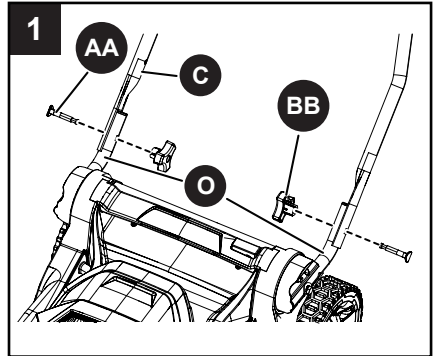
1. Install the lower handle

⚠ WARNING

Your mower is shipped with the handles uninstalled. Do not attempt to start the mower until the handlebar assembly is installed and unfolded.

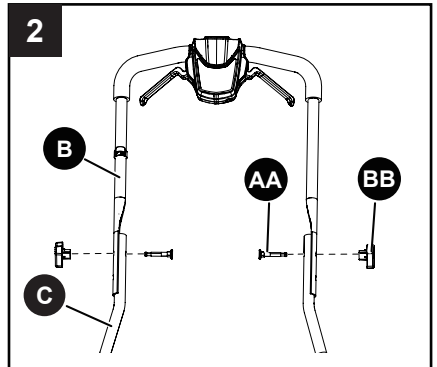
- Align the mounting holes on the lower handle (C) and the bent rod (O).
- Insert the handle bolt (AA) through the holes and secure the lower handle using the handle knob (BB).
- Repeat with the other side.

Note: Make sure that both lower handles are installed in the same position.



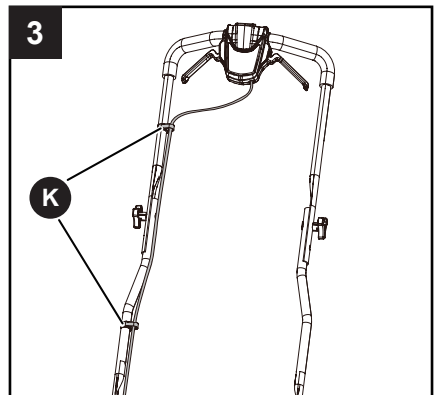
2. Install the upper handle

- Align the mounting holes on the upper handle (B) and the lower handle (C).
- Insert the handle bolt (AA) through the holes and secure the upper handle using the handle knob (BB).
- Repeat with the other side.



3. Cable Routing

- Adjust the cable and secure it to the cable clips (K) so that it will not get in the way during operation.



⚠WARNING

- To reduce the risk of injury, place the mower on a level surface and secure it before assembling the handle.
- The lower handle and upper handle can be folded down by loosening the handle knobs. Check that the knobs are firmly tightened.
- When loosening the knobs, hold the handle at the highest point with one hand and rotate the knobs with the other hand. Be careful during the operation to avoid pinching fingers between the loose parts.

⚠WARNING

Folding or unfolding the handle improperly can damage the cables, causing an unsafe operating condition.

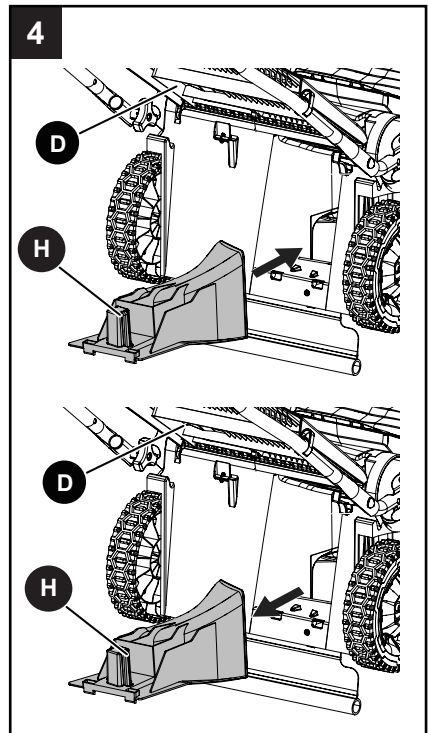
- Do not damage the cables when folding or unfolding the handle.
- If a cable is damaged, contact an Authorized Service Dealer.

⚠WARNING

Do not at any time make any adjustment to the lawn mower without first stopping the motor, removing the battery packs, and waiting for the blade to stop rotating.

4. Installing / removing the mulching plug

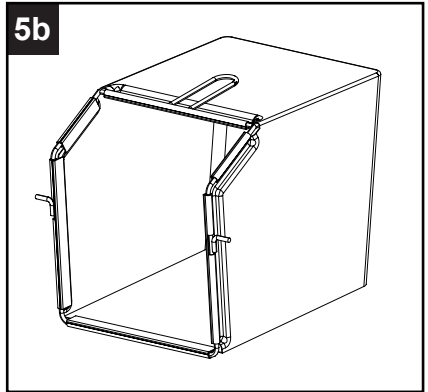
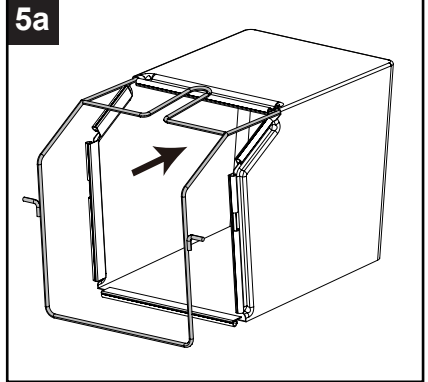
- Remove the battery packs.
- Lift the rear discharge door (D) and hold it.
- Grasp the handle of the mulching plug (H) and pull it out.
- To install the mulching plug, lift the rear discharge door (D) grasp the handle of the mulching plug (H) and fully insert it into the mower, so that it is securely seated.



ASSEMBLY INSTRUCTIONS

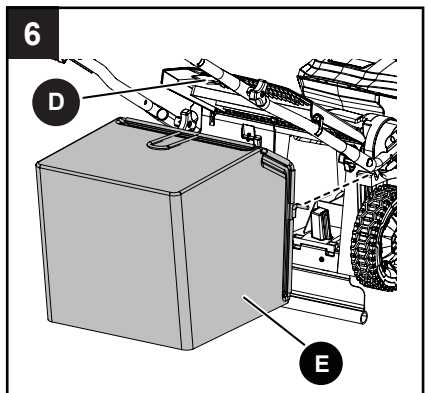
5. Assemble the grass bag

- Check the grass bag before assembling to make sure that there is no damage.
- Slide the grass bag onto the grass bag frame, as shown in Fig. 5a.
- Assemble the top clips to the frame, then assemble the side clips. Assemble the bottom clip last.
- The completely assembled grass bag (E) is shown in Fig. 5b.



6. Installing / removing the grass bag

- Remove the battery packs.
- Lift the rear discharge door (D) and hold it.
- If the mulching plug (H) is installed, remove it.
- Grab the grass bag (E) by its handle and place it under the rear discharge door so the grass bag frame hooks are engaged on the rear slots.
- Lower the rear discharge door (D) onto the grass bag (E) so that it is fully secure.
- To remove the grass bag, lift the rear discharge door (D) and hold it. Lift the grass bag (E) up by its handle and off the rear slots. Release the rear discharge door.

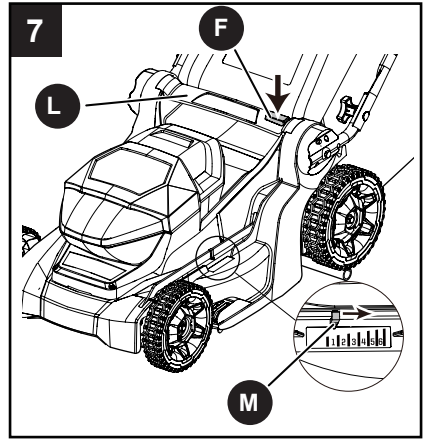


ASSEMBLY INSTRUCTIONS

7. Cutting height adjustment

The mower can be set to 6 different cutting heights between 1.6 in. (40mm) and 3.9 in. (98mm). Before using the mower, choose the proper cutting height best suited for the type and condition of your grass.

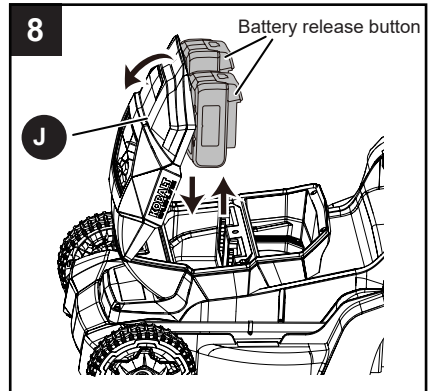
- Remove the battery packs.
- Grasp the rear handle (L), press and hold the height adjustment button (F), and pull mower upward to move the height adjustment indicator (M) to a higher position and increase cutting height.
- Release height adjustment button (F) to lock in your cutting height setting.
- To lower your cutting height, grasp the rear handle (L), press and hold the height adjustment button (F) and push mower downward to move the height adjustment indicator (M) lower and decrease cutting height. Release the height adjustment button (F) to lock in your cutting height setting.



OPERATING INSTRUCTIONS

8. Install / remove the batteries

- Lift and hold up the battery door (J).
- Align the raised portion on the battery packs with the grooves in the battery slots.
- Push the battery packs into the battery slots until the battery packs lock into place.
- When you hear a click, the battery packs are installed correctly and the mower is ready for use.
- Close the battery door (J).
- To remove the battery packs, open the battery door (J), press the battery release buttons and pull the battery packs upward and out of the battery slots. Close the battery door (J).



Note:

- This mower requires two Kobalt 24V batteries to operate.
- The cavity at the rear side of the battery slots can be used to store spare battery packs.

⚠WARNING

Battery-powered products are always in operating condition. Therefore, always remove the battery packs when the mower is not in use.

Mower Overload Protection

- To prevent overload conditions, do not try to cut too much grass at one time. Slow down your cutting pace or raise the cutting height.
- Your mower features built-in overload circuit protection. When the mower is overloaded, the motor will stop. Remove the battery packs from the mower. Check to see if grass has collected beneath the deck and clear it, if necessary, then reinstall the battery packs and restart the mower.

Battery High Temperature Protection

The battery packs will generate heat during operation. The heat dissipates more slowly in hot weather. If the battery(ies) are overheated during operation, the protection circuit will immediately turn off the mower to protect the battery pack(s) from heat damage. Release the bail switch, wait until the battery pack(s) cools down, then restart the mower.

9. Start / stop the product

9a. Powering on

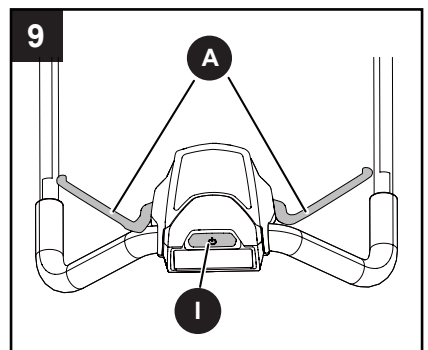
- Press and hold the power button (I). Then, grasp either of the blade activation levers (A) towards the handle bar.

Note: Complete the two consecutive actions within 5 seconds.

- Once the product has started, you can release the power button.

9b. Powering off

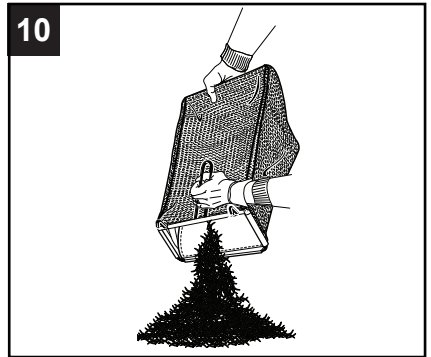
- Release the blade activation lever(s).
- The electric brake will stop the blade rotation within 3 seconds of the release of the blade activation lever(s).



OPERATING INSTRUCTIONS

10. Emptying the grass bag

- Stop mower, allow the blade to completely stop, and remove the battery packs.
- Lift the rear discharge door.
- Lift the grass bag by its handle to remove it from the mower.
- Empty the grass clippings as shown in Fig. 10.
- Lift the rear discharge door and re-install the grass bag as described earlier in this manual.



11. Operating tips

- The operation of any lawn mower can result in foreign objects being thrown into your or others' eyes, which can damage eyes severely. Always wear safety glasses while operating the mower or while performing any adjustments or repairs on the mower.
- Verify that the lawn is free of stones, sticks, wires, and other objects which could damage the lawn mower or motor. Such objects could be accidentally thrown by the mower in any direction and could cause serious personal injury to the operator and to others.
- Ensure that other people and pets remain at least 100' (30m) away from the mower when it is in use.
- The blade will continue to rotate for a few seconds after the mower is turned off. Allow the motor/blade to stop rotating before starting it again. Do not rapidly turn the mower off and on.
- Do not attempt to override the operation of the start button and blade activation lever(s).
- Do not tilt the product when you start it.
- Do not put hands or feet near or below the cutting deck.
- A sharp blade will greatly enhance the performance of the mower, especially when cutting tall grass. Make sure to check the sharpness of the blade before mowing.
- For best results, do not mow in circles. Travel back and forth across the lawn.
- Set the mower to the highest cutting height when mowing on uneven ground or in tall growth.
- For effective mulching, do not cut wet grass; it tends to stick to the underside of the deck, preventing the proper mulching of grass clippings. The best time to mow grass is in the late afternoon, when the grass is dry and the newly cut area will not be exposed to direct sunlight.
- When cutting thick grass, reduce your walking speed in order to allow for a more effective cut and a proper discharge of the clippings.
- To maintain a healthy lawn, cut off only one-third or less of the grass blade length, ideally no more than 1/2 in. (13 mm) at one time. If the grass is overgrown, it may be necessary to increase the cutting height to make it easier to mow and to prevent overloading the motor.
- Clean the bottom of the mower deck after each use. Remove grass clippings, leaves, dirt, and other debris.

NOTE: If you strike a foreign object, stop the motor and remove the battery packs. Thoroughly inspect the mower for any damage, and repair the damage before restarting and operating the mower. Excessive vibration of the mower during operation is an indication of damage. The unit should be promptly inspected and repaired.

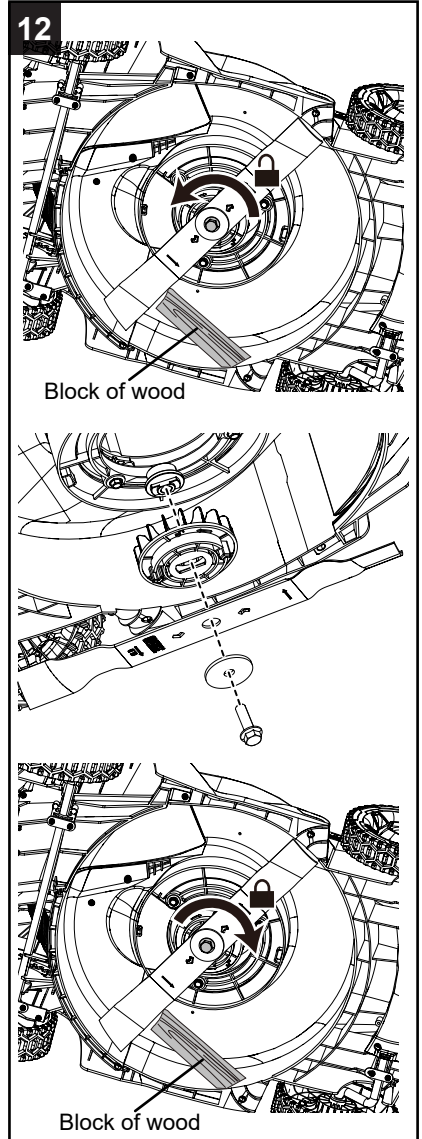
CARE AND MAINTENANCE

12. Replace the mower blade

⚠WARNING

Always protect your hands by wearing heavy gloves and/or wrapping the cutting edges with rags or other materials when performing any maintenance on the mower blade. Always remove the battery packs when servicing or transporting the mower.

- Stop the product. Make sure that the blades fully stop. Remove the battery packs.
- Turn the product to its side.
- Use a block of wood to prevent the rotation of the blade.
- Use an 15mm wrench or socket (not included) to loosen the blade bolt by rotating counterclockwise. Remove the blade bolt, washer, and mower blade.
- Take the replacement blade and position it with the cutting edges towards the ground.
- Align the mounting slots in the blade with the protruding mounting posts on the blade fan.
- Mount the bolt with washer into the shaft and rotate it clockwise by hand to tighten it.
- Use a 15mm wrench or socket to tighten the bolt clockwise. Recommended torque for the blade bolt is 25.8 ft-lb. (35 Nm).

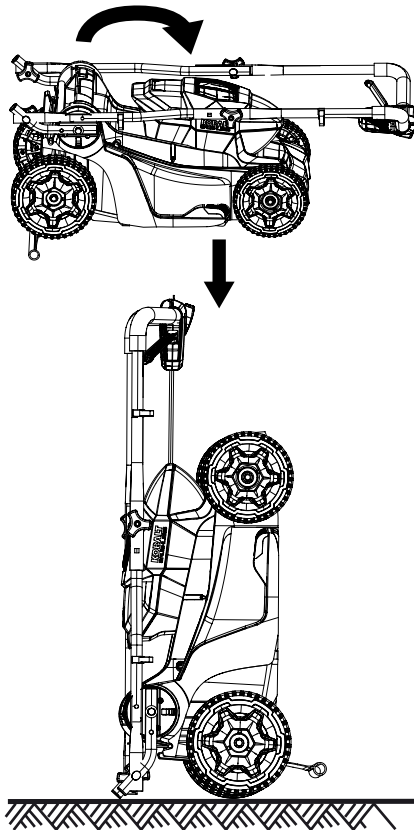


13. Vertical storage

- Remove the battery packs from the mower.
- Remove the grass bag if it is installed on the mower.
- Rotate the lower handle knobs counterclockwise to the unlocked position.
- Rotate the handle assembly forward and down to the storage position and then rotate the lower handle knobs clockwise to secure.
- Lift the mower by the upper handles into the vertical storage position.

NOTE: Mower can also be stored flat with the upper handle section folded down. Just rotate the upper handle knobs counterclockwise to loosen and then rotate the upper handles over the lower handles and back towards the rear of the mower.

13



⚠WARNING

When loosening the knobs, hold the handle at the highest point with one hand and rotate the knobs with the other hand. Be careful during the operation to avoid pinching fingers between the loose parts.

CARE AND MAINTENANCE

14. Store The Mower

The following steps should be taken in order to prepare the lawn mower for storage.

- Remove the battery packs.
- Clean the product before storage.
- Make sure the motor is not hot when you store the product.
- Make sure that the product does not have loose or damaged parts. If it is necessary, follow these instructions:
 1. Replace the damaged parts.
 2. Tighten the bolts.
 3. Speak to a person at an approved service department.
- Store the mower at room temperature in a dry, clean location that is locked and/or inaccessible to children.
- Keep away from corrosive agents such as garden chemicals and de-icing salts.
- Do not cover the lawn mower with a solid plastic sheet. Plastic coverings trap moisture around the mower, which causes rust and corrosion.

15. Service

Servicing requires extreme care and knowledge and should be performed only by a qualified service technician. For service, it is suggested you return the product to your nearest AUTHORIZED SERVICE CENTER for repair. When servicing, use only identical replacement parts.

WARNING

- When servicing the mower, use only identical replacement parts that are available from the manufacturer. In order to obtain replacement parts, call the toll-free helpline, at **888-356-2258**. The use of parts that do not meet the original equipment specifications may lead to improper performance, and may compromise safety.
- Before cleaning, repairing, or inspecting; verify that the blade and all moving parts have come to a complete stop. Remove the batteries when making any adjustments or when any of the four wheels must be lifted off the ground.
- Keep the handles dry, clean, and free of oil and grease.
- In order to reduce the risk of fire, keep the motor free of grass, leaves, and debris build-up.
- Check the blade and motor mounting bolts for proper tightness frequently. Visually inspect blade for damage (e.g., bent, cracked, or worn).
- For best and safest performance, maintain the mower with care. Keep the mower blade sharp and clean. Mower blades are sharp and can cut. Wrap the blades or wear gloves, and use extra caution when servicing.
- Keep all nuts, bolts, and screws tight in order to be sure that the equipment is in safe working condition.
- Never tamper with safety devices. Check them regularly for proper operation.
- After striking a foreign object, stop the motor. Thoroughly inspect the mower for any damage. Repair any damage before operating the mower.
- The grass bag components, discharge cover, and trail shield are subject to wear and damage, which could expose moving parts or allow objects to be thrown. As a safety precaution, check these components frequently, and immediately replace any parts that show signs of wear, or that are cracked or broken. Use original equipment manufacturer's (OEM) parts only, as listed in this manual.
- When it is not in use, store the mower indoors in a dry area, and out of the reach of children
- Always remove batteries when servicing or transporting the mower.

TROUBLESHOOTING

If you still have questions or an unresolved issue after going through this troubleshooting guide, or just want to speak to a Kobalt product expert, please call our Kobalt customer service department at **888-356-2258**, 8 a.m. - 8 p.m., EST, Monday - Sunday.

PROBLEM	POSSIBLE CAUSE	SOLUTION
The handle is not in position.	The bolts are not engaged correctly.	Adjust the height of the handle and make sure that the bolts and nuts are aligned correctly.
The product does not start. <i>Note: The mower requires (2) Kobalt 24V batteries for operation.</i>	The battery capacity is low.	Charge the battery packs.
	The start handle is defective.	Replace the start handle.
	The battery key is not put in.	Put in the battery key.
The product cuts grass unevenly.	The lawn is rough.	Examine the mowing area.
	The blade height is not set correctly.	Move the wheels to a higher position.
The product is hard to push.	The grass is too tall, or the cutting height is too low.	Raise the cutting height.
	The rear of the mower housing and the blade are dragging in thick grass.	Empty the grass clippings from the grass bag.
The product does not mulch correctly.	Wet grass clippings attach to the deck.	Wait until the grass dries before mowing.
	The mulch plug is missing.	Install the mulch plug.
There is a high vibration in the product.	The blade is unbalanced and worn.	Replace the blade.
	The motor shaft is bent.	<ol style="list-style-type: none"> 1. Stop the motor. 2. Remove the safety key and battery packs. 3. Disconnect the power source. 4. Inspect for damage. 5. Repair the product before you start it again.
The product stops during mowing.	The blade height is too low.	Increase the blade height.
	The battery packs are out of power.	Charge the battery packs.
	The grass clippings attach to the deck or the blade.	Remove the battery packs and check the deck.
	Operation temperature of the product is too high.	Cool the product.

WARRANTY

5-YEAR LIMITED WARRANTY

This Kobalt 48V 17 in. cordless lawn mower is warranted to the original purchaser from the original purchase date for five (5) years subject to the warranty coverage described herein.

This Kobalt 48V 17 in. cordless lawn mower is warranted for the original user to be free from defects in material and workmanship.

If you believe that the Kobalt 48V 17 in. cordless lawn mower is defective at any time during the specified warranty period, simply call our warranty service **(888-356-2258)** along with proof of purchase.

This warranty is void if: defects in materials or workmanship or damages result from repairs or alterations which have been made or attempted by others or the unauthorized use of nonconforming parts; the damage is due to normal wear, damage is due to abuse (including overloading of the tool beyond capacity), improper maintenance, neglect or accident; or the damage is due to the use of the tool after partial failure or use with improper accessories or unauthorized repair or alteration.

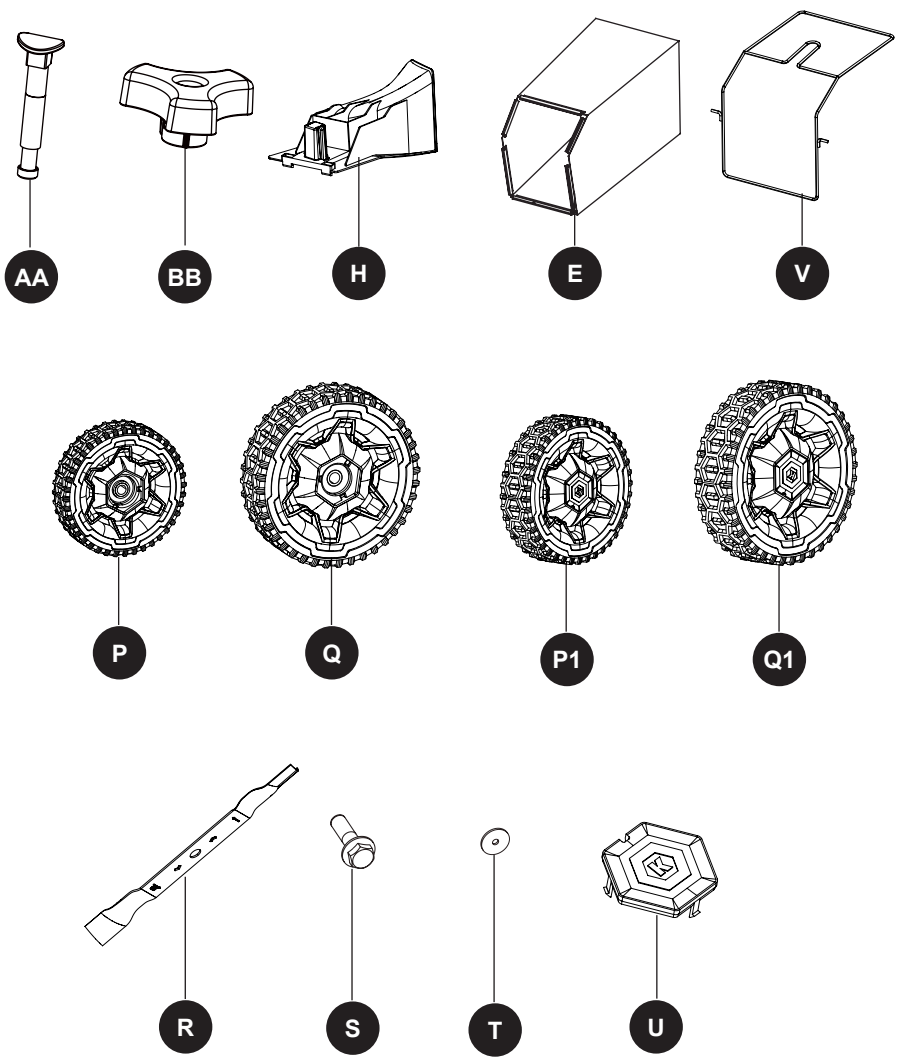
This warranty excludes replacement blades and grass bag.

This warranty gives you specific legal rights, and you may also have other rights that vary from state to state.

Replacement parts are not covered under warranty.

REPLACEMENT PARTS LIST

For replacement parts, call our customer service department at **888-356-2258**, 8 a.m. - 8 p.m., EST, Monday - Sunday. You could also contact us at ascs@lowes.com.



REPLACEMENT PARTS LIST

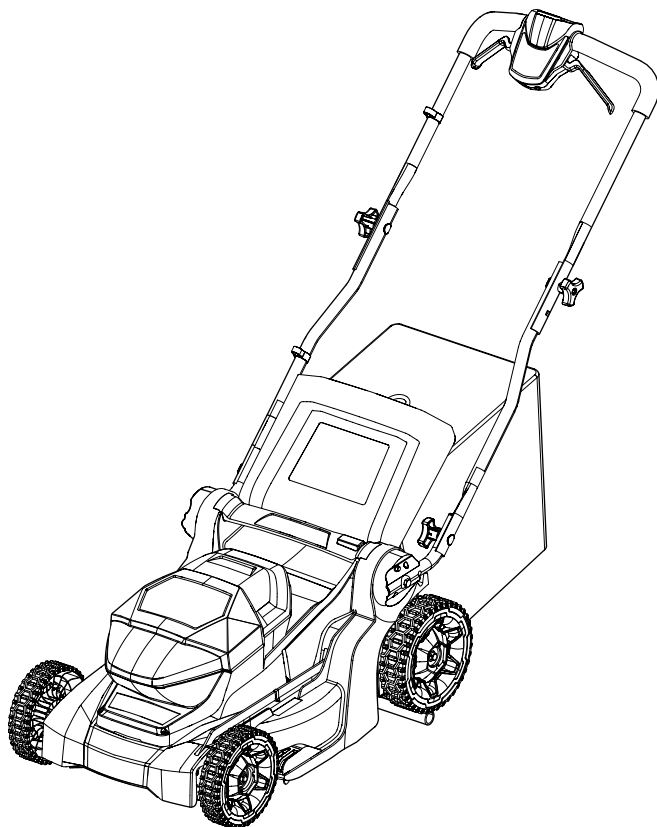
PART	DESCRIPTION	PART #
AA	Handle bolt	R0203080-00
BB	Handle knob	R0214330-00
H	Mulching plug	R0300443-00
E	Grass bag	R0214331-00
V	Grass bag frame	R0214590-00
P	Front wheel	R0214332-00
Q	Rear wheel	R0214333-00
P1	Front wheel assembly	R0214592-00
Q1	Rear wheel assembly	R0214593-00
R	Blade	RA333161559AB
S	Blade bolt	R0102226-00
T	Washer	RA333021527
U	Wheel center cap	R0214591-00

KOBALT™

KOBALT y el diseño del logotipo son marcas comerciales o marcas registradas de LF, LLC. Todos los derechos reservados.

ARTÍCULO #6036641
MODELO #KM 4224A-06

PODADORA DE CÉSPED DE TRACCIÓN MANUAL DE 43.18 CM



Número de serie _____

Fecha de compra _____

Gracias por comprar este producto KOBALT.
¿Preguntas, problemas o piezas faltantes?
Antes de volver a la tienda, póngase en contacto al:
888-356-2258, de lunes a domingo de 8 a.m. a 8 p.m., hora estándar del Este, o
escriba a asc@lowes.com.

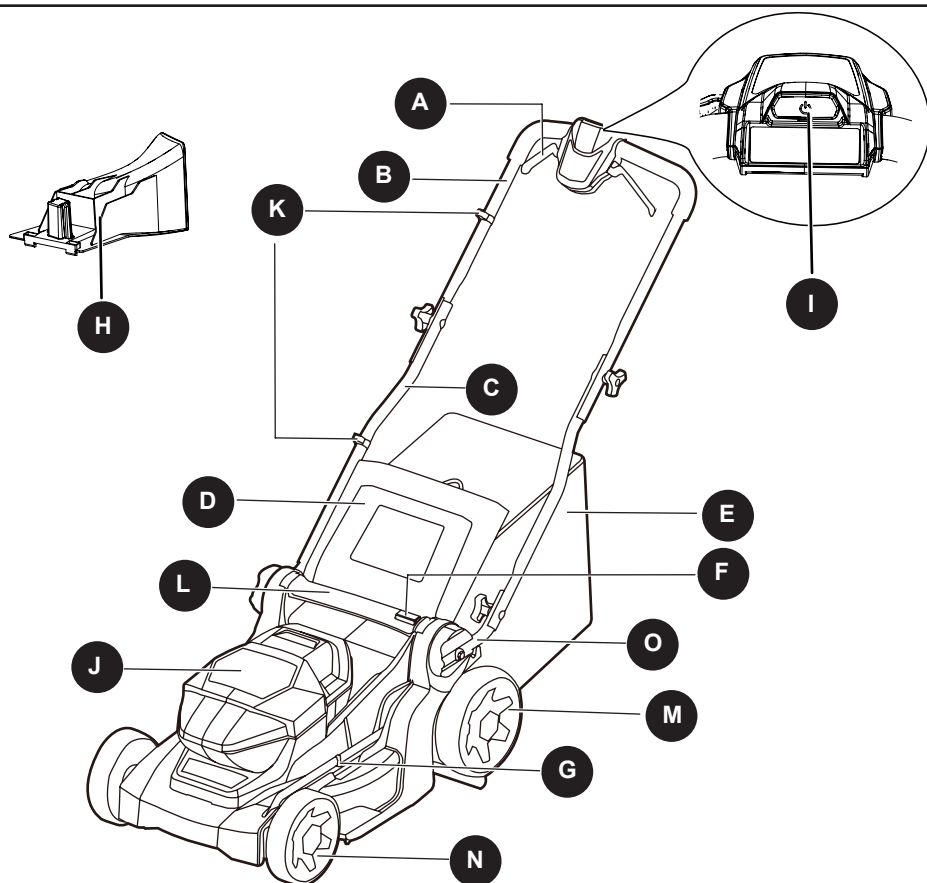
ÍNDICE

Especificaciones del producto.....	29
Contenido del paquete.....	30
Aditamentos.....	31
Símbolos.....	32
Información de seguridad.....	33
Preparación.....	42
Instrucciones para el ensamblaje.....	43
Instrucciones de uso.....	47
Cuidado y mantenimiento.....	50
Detección de problemas.....	53
Garantía.....	55
Lista de piezas de repuesto.....	56

ESPECIFICACIONES DEL PRODUCTO

ESPECIFICACIONES	
Voltaje nominal	48 V CC
Velocidad sin carga	3500 RPM
Ajustes de altura de corte aproximados	4.06 cm (1.6 pulg.); 5.08 cm (2 pulg.); 6.35 cm (2.5 pulg.); 7.62 cm (3 pulg.); 8.63 cm (3.4 pulg.); 9.9 cm (3.9 pulg.)
Diseño de corte	2 en 1: mantillo o bolsa posterior
Peso solo de la herramienta	16.51 kg (36.4 lb)
Tamaño de la plataforma	43.18 cm
Diámetro de corte	40.64 cm
Volumen de la bolsa para césped	50.03 l (1.42 bushels)

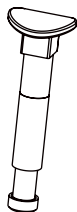
CONTENIDO DEL PAQUETE



PIEZA	DESCRIPCIÓN	CANTIDAD
A	Palanca de activación de la cuchilla	1
B	Mango superior	1
C	Mango inferior	1
D	Puerta para descarga posterior	1
E	Bolsa para césped	1
F	Botón de ajuste de altura	1
G	Indicador de ajuste de altura	1

PIEZA	DESCRIPCIÓN	CANTIDAD
H	Aditamento para mantillo	1
I	Botón de encendido	1
J	Tapa de las baterías	1
K	Sujetador de cables	2
L	Mango posterior	1
M	Rueda posterior	2
N	Rueda frontal	2
O	Varilla doblada	2

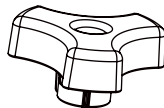
AA



Perno del mango

Cantidad. 4

BB



Perilla del mango

Cantidad. 4

⚠ ADVERTENCIA

- Retire el producto del paquete y examínelo cuidadosamente. No deseche la caja ni ningún material de embalaje hasta que haya examinado todas las piezas.
- Si falta alguna pieza del producto o si alguna pieza está dañada, no coloque la batería para usar el producto hasta reparar o reemplazar la pieza. No seguir esta advertencia podría provocar lesiones graves.




SÍMBOLOS

Algunos de los siguientes símbolos pueden aplicarse al uso de este producto. Obsérvelos y aprenda su significado. La interpretación correcta de estos símbolos le permitirá utilizar el producto de manera eficaz y segura.

SÍMBOLOS	EXPLICACIÓN
	Precauciones que involucran su seguridad.
	Para reducir el riesgo de lesiones, el usuario debe leer y comprender el manual del operador antes de utilizar este producto.
	No esponga esta herramienta a la lluvia ni la utilice en áreas húmedas.
	Mantenga las manos y los pies alejados de la cuchilla y del área de corte.
	ADVERTENCIA: tenga cuidado con los objetos arrojados; mantenga alejadas a los transeúntes.
	ADVERTENCIA: desconecte todas las baterías antes del mantenimiento.
	ADVERTENCIA: desconecte todas las baterías antes del mantenimiento.


INFORMACIÓN DE SEGURIDAD

Las siguientes palabras de señalización y sus significados tienen el objeto de explicar los niveles de riesgo relacionados con este producto.

SÍMBOLO	SEÑAL	SIGNIFICADO
	PELIGRO	Indica una situación de peligro inminente que, si no es prevenida, causará la muerte o lesiones severas.
	ADVERTENCIA	Indica una situación de peligro potencial que, si no es prevenida, podría causar la muerte o lesiones severas.
	PRECAUCIÓN	Indica una situación de peligro potencial que, si no es prevenida, puede causar lesiones menores o moderadas.
	PRECAUCIÓN	(Sin el símbolo de alerta de seguridad) Indica una situación que puede causar daños materiales.

ADVERTENCIA

• Para evitar lesiones corporales serias, no intente utilizar este producto sin haber leído y comprendido totalmente el manual del operador. Si no comprende los avisos de advertencia y las instrucciones del manual del operador, no utilice este producto. Llame al departamento de atención al consumidor **888-356-2258** y le brindaremos asistencia.

-  Cualquier producto en funcionamiento puede lanzar objetos hacia los ojos, lo cual puede causar serios daños a los mismos. Antes de iniciar la operación de herramientas de corriente, siempre utilice gafas de seguridad, gafas de seguridad con protección lateral, y en la medida en que sea necesario, un protector para toda la cara. Se recomienda una máscara de seguridad de visión amplia sobre los lentes o las gafas de seguridad estándar con protección lateral. Siempre póngase protección ocular con la marca de cumplimiento de la norma ANSI Z87.1.

ADVERTENCIAS DE SEGURIDAD PARA LA PODADORA DE CÉSPED

LEA CON CUIDADO TODAS LAS INSTRUCCIONES

ADVERTENCIA

Lea todas las advertencias de seguridad, instrucciones, imágenes y especificaciones que se incluyen con esta podadora de césped. *No seguir todas las instrucciones que se detallan a continuación podría provocar descargas eléctricas, incendios o lesiones graves.*

Guarde todas las advertencias e instrucciones para referencia futura.

Seguridad en el área de trabajo

- **Para evitar el contacto de transeúntes con la cuchilla en movimiento o lesiones por objetos lanzados, mantenga el área de operación libre de transeúntes, especialmente de niños pequeños.** *Detenga la podadora de césped y todos los accesorios si alguien ingresa al área. El contacto con la cuchilla en movimiento u objetos arrojados puede provocar lesiones personales graves o la muerte.*
- **Use la podadora de césped solamente con luz de día o una buena luz artificial.** *Las zonas oscuras propician los accidentes.*
- **No utilice podadoras de césped en atmósferas en las que exista riesgo de explosión, como por ejemplo en presencia de líquidos, gases o polvo inflamables.** *Las podadoras de césped producen chispas que podrían encender el polvo o el humo.*
- **No use la podadora de césped en condiciones de mal tiempo, especialmente cuando hay riesgo de tormenta eléctrica.** *Esto disminuirá el riesgo de que le caiga un rayo.*
- **Inspeccione minuciosamente el área donde se utilizará la podadora de césped y retire las piedras, ramas, cables, huesos y cualquier otro objeto extraño que encuentre.** *Los objetos que lance la máquina pueden ocasionar lesiones personales.*

Seguridad eléctrica

- **No exponga la podadora de césped a la lluvia ni a condiciones de humedad.** *Si ingresa agua en una podadora de césped, aumentará el riesgo de descarga eléctrica.*

Seguridad personal

- **Use un equipo de protección personal. Siempre use lentes de protección.** *Los equipos de protección reducirán las lesiones personales.*
- **Use ropa adecuada. No use ropa holgada ni joyas.** *Mantenga el cabello y la ropa alejados de las piezas en movimiento. La ropa holgada, las joyas o el cabello largo pueden quedar atrapados en las piezas en movimiento.*
- **Durante el funcionamiento de la podadora de césped, use siempre pantalones largos.** *La piel expuesta aumenta la probabilidad de lesiones causadas por objetos arrojados.*
- **Mientras utilice la podadora de césped, utilice siempre calzado protector antideslizante.** *No use la podadora de césped estando descalzo o al usar sandalias abiertas. Esto reduce la posibilidad de lesiones en los pies por el contacto con la cuchilla en movimiento.*
- **Evite un arranque accidental.** *Asegúrese de que el interruptor esté en la posición de apagado antes de conectar la fuente o las baterías, levantar o transportar la podadora de césped. Transportar la podadora de césped con el dedo en el interruptor o enchufar una podadora de césped que tiene el interruptor en la posición de encendido aumentan las posibilidades de accidentes.*
- **Retire todas las llaves de ajuste o llaves inglesas antes de encender la podadora de césped.** *Si se deja una llave conectada a una pieza giratoria de la podadora de césped, se podrían producir lesiones personales.*
- **Mantenga una postura y un equilibrio adecuados en todo momento.** *Esto permite un mejor control de la podadora de césped en situaciones inesperadas.*

INFORMACIÓN DE SEGURIDAD

- **Manténgase alerta, preste atención a lo que hace y utilice el sentido común cuando utilice una podadora de césped.** *No utilice una podadora de césped si está cansado o bajo los efectos de drogas, alcohol o medicamentos. Un momento de desatención mientras opera una podadora de césped puede provocar lesiones personales graves.*
- **No permita que la familiaridad del uso frecuente de la podadora de césped lo haga ignorar los principios de seguridad de la podadora de césped.** *Un descuido puede ocasionar una lesión grave en cuestión de segundos.*
- **Para evitar el contacto con la cuchilla del operador o una lesión por objetos lanzados, permanezca en la zona del operador detrás de los mangos de la podadora de césped.** *El contacto con las cuchillas o los objetos lanzados pueden provocar lesiones personales graves.*
- **No toque las cuchillas ni otras piezas móviles peligrosas mientras aún estén en movimiento.** *Esto reduce el riesgo de lesiones por las piezas móviles.*

Uso y cuidado de la podadora de césped

- **Use la podadora de césped y los accesorios de acuerdo con estas instrucciones, considerando las condiciones de trabajo y el trabajo que desea realizar.** *El uso de la podadora de césped en operaciones distintas para las que se diseñó podría crear una situación de peligro.*
- **Antes de usar la podadora de césped, siempre inspeccione visualmente para ver que las cuchillas y el ensamble de cuchillas estén correctamente asegurados y no estén desgastados ni dañados.** *Las piezas sueltas, desgastadas o dañadas pueden aumentar el riesgo de lesiones.*
- **Mantenga los protectores y otros dispositivos de seguridad en su lugar, instalados de manera correcta y en condiciones de funcionamiento.** *Un protector u otro dispositivo de seguridad flojo, dañado o que no funcione correctamente puede provocar lesiones personales.*
- **Mantenga todas las entradas de aire de refrigeración libres de desechos.** *Las entradas de aire bloqueadas y los desechos pueden provocar sobrecalentamiento o riesgo de incendio.*
- **No utilice la podadora de césped si el interruptor no enciende o apaga.** *Cualquier podadora de césped que no pueda controlarse con el interruptor es peligrosa y debe repararse.*
- **No opere la podadora de césped sobre césped mojado.** *Camine; no corra. Esto reduce el riesgo de resbalones y caídas que pueden provocar lesiones personales.*
- **No opere la podadora de césped en pendientes excesivamente pronunciadas.** *Esto reduce el riesgo de pérdida de control, resbalones y caídas que pueden provocar lesiones personales.*
- **No fuerce la podadora de césped. Utilice la podadora de césped adecuada para su aplicación.** *Una podadora de césped correcta hará un trabajo mejor y más seguro con un rendimiento para el cual se diseñó.*
- **Tenga en cuenta la dirección de descarga de la podadora de césped y los accesorios, y no apunte a nadie con la descarga de la podadora de césped.** *Los objetos que lance la máquina pueden ocasionar lesiones personales.*
- **Tenga mucho cuidado al invertir o jalar la podadora de césped hacia usted.** *Siempre esté atento a los alrededores. Esto reduce el riesgo de tropezar durante el funcionamiento.*
- **Cuando trabaje en pendientes, asegúrese siempre de pisar fuerte, trabaje siempre de frente a las pendientes, nunca hacia arriba o hacia abajo, y tenga mucho cuidado al cambiar de dirección.** *Esto reduce el riesgo de pérdida de control, resbalones y caídas que pueden provocar lesiones personales.*
- **Opere el dispositivo de desactivación o retire todos los paquetes de baterías, si son extraíbles, de la podadora de césped antes de realizar cualquier ajuste, cambiar accesorios o almacenar la podadora de césped.** *Este tipo de medidas de seguridad preventivas reduce el riesgo de arranques accidentales de la podadora de césped.*

- **Mantenga los mangos y las superficies de agarre secos, limpios y sin aceite ni grasa.** *Los mangos y las superficies de agarre húmedos no permiten una manipulación segura ni controlar la podadora de césped en situaciones inesperadas.*
- **Revise la bolsa para césped con frecuencia para ver si está desgastada o deteriorada.** *Una bolsa para césped desgastada o dañada puede aumentar el riesgo de lesiones personales.*
- **Antes de retirar la bolsa para césped, apague el motor y espere a que las cuchillas se detengan completamente.** *Las cuchillas de corte continúan girando después de soltar el control de la cuchilla. Nunca coloque ninguna parte del cuerpo en el área de las cuchillas hasta que esté seguro de que el motor está apagado y que las cuchillas han dejado de girar. El contacto con las cuchillas de corte en movimiento puede provocar lesiones personales graves.*
- **Antes de destapar el conducto, apague el motor, espere hasta que las cuchillas se detengan por completo, opere el dispositivo de desactivación y retire todas las baterías, si son extraíbles.** *Las cuchillas de corte continúan girando después de soltar el control de la cuchilla. Nunca coloque ninguna parte del cuerpo en el área de las cuchillas hasta que esté seguro de que el motor está apagado y que las cuchillas han dejado de girar. El contacto con las cuchillas de corte en movimiento puede provocar lesiones personales graves.*
- **Antes de limpiar o inspeccionar la podadora de césped, apague el motor, espere hasta que las cuchillas se detengan por completo, opere el dispositivo de desactivación y retire todas las baterías, si son extraíbles.** *El contacto accidental con la hoja en movimiento y las piezas móviles puede provocar lesiones personales.*
- **Mantenga la podadora de césped y sus accesorios.** *Revise si hay desalineación o agarrotamiento de piezas móviles o si están rotas, así como cualquier otra condición que pueda afectar la operación de la podadora de césped. Si se daña la podadora de césped, hágala reparar antes de usarla. Muchos accidentes son producto del mantenimiento incorrecto de las podadoras de césped.*
- **Almacene las podadoras de césped que no estén en uso fuera del alcance de los niños y no permita que personas no familiarizadas con la podadora de césped o estas instrucciones la operen.** *Las podadoras de césped son peligrosas en manos de usuarios sin capacitación.*

Uso y cuidado de la batería de la podadora de césped

- **Use podadoras de césped solo con paquetes de baterías designados específicamente.** *El uso de cualquier otro paquete de baterías puede generar lesiones e incendios.*
- **Recargue el paquete de baterías solo con el cargador especificado por el fabricante.** *Un cargador adecuado para un tipo de paquete de baterías puede generar un riesgo de incendio cuando se usa con otro paquete de baterías.*
- **Siga todas las instrucciones de carga y no cargue el paquete de baterías o la podadora de césped fuera del rango de temperatura especificado en las instrucciones.** *Realizar una carga inadecuada o a temperaturas fuera del rango especificado podría dañar el paquete de baterías y aumentar el riesgo de incendio.*
- **No utilice un paquete de baterías ni la podadora de césped si están dañados o modificados.** *Las baterías dañadas o modificadas pueden presentar un comportamiento impredecible que puede provocar un incendio, una explosión o un riesgo de lesión.*
- **No exponga el paquete de baterías ni la podadora de césped al fuego o a una temperatura excesiva.** *La exposición al fuego o a temperaturas por encima de los 129 °C (265 °F) podría causar una explosión.*
- **En condiciones de maltrato, es posible que salga líquido de las baterías. Evite el contacto.** *Si entra en contacto por accidente, enjuague la zona comprometida con agua. Si el líquido entra en contacto con los ojos, busque atención médica adicional. El líquido que sale de las baterías puede provocar irritación o quemaduras.*

INFORMACIÓN DE SEGURIDAD

- **Cuando no se usan los paquetes de baterías, aléjelos de objetos metálicos, tales como sujetapapeles, monedas, llaves, clavos, tornillos u otros objetos metálicos pequeños que pudieran crear una conexión entre los terminales.** *Si se conectan los terminales de la batería entre sí, es posible que se produzcan quemaduras o incendios.*

Reparación

- **Permita que solo una persona capacitada repare la podadora de césped, mediante el uso solo de piezas de repuesto idénticas.** *Esto mantendrá la seguridad de la podadora de césped. El uso de piezas que no cumplen con las especificaciones del equipo original podría causar un rendimiento inadecuado y poner en riesgo la seguridad.*
- **Nunca realice mantenimiento a los paquetes de baterías.** *Solo el fabricante o proveedores de servicio autorizados pueden realizar el mantenimiento de los paquetes de baterías.*

CARACTERÍSTICAS DE SEGURIDAD DEL PRODUCTO

ADVERTENCIA

- Lea atentamente y comprenda las precauciones de seguridad a continuación antes de utilizar el producto.
- Asegúrese de que los aditamentos de seguridad del producto funcionen correctamente antes de usarlos.
- Inspeccione periódicamente los aditamentos de seguridad y, si encuentra algún defecto, comuníquese de inmediato con el centro de servicio más cercano.

Revise la plataforma de corte

- La plataforma de corte está diseñada para reducir las vibraciones en el producto y minimizar el riesgo de lesiones causadas por la cuchilla.
- Para garantizar el funcionamiento seguro de la podadora de césped, es importante inspeccionar la plataforma de corte para detectar posibles daños, como grietas.

Revise la bolsa para césped

- La bolsa para césped se desgasta durante el funcionamiento, por lo que es importante inspeccionarla periódicamente para detectar daños como rasgaduras o agujeros. Si hay algún daño, reemplácela inmediatamente con una bolsa para césped aprobada por el fabricante.

Compruebe la palanca de activación de la cuchilla

- La palanca de activación de la cuchilla pone en marcha el motor. Cuando se suelta la palanca, el motor se detiene.
- Es importante realizar controles periódicos en la palanca de activación de la cuchilla. Para ello, encienda el motor y luego suelte la palanca. Si el motor no se detiene en 3 segundos, puede haber un problema con la palanca. Por lo tanto, se recomienda que un centro de servicio autorizado ajuste la palanca.

Seguridad de la batería

- Consulte el manual del operador de la batería para obtener instrucciones de advertencia antes de utilizar el producto.

Seguridad del cargador de la batería

- Consulte el manual del operador del cargador de la batería para obtener instrucciones de advertencia antes de utilizar el producto.

Instrucciones de seguridad para el mantenimiento

- Para evitar el arranque accidental durante el mantenimiento, apague siempre el producto y retire las baterías y la llave de seguridad. Espere al menos 5 segundos antes de comenzar cualquier trabajo de mantenimiento.

INFORMACIÓN DE SEGURIDAD

- Siga correctamente las instrucciones de mantenimiento para aumentar la vida útil del producto y reducir el riesgo de accidentes. Las reparaciones profesionales deben ser realizadas por un técnico en un centro de servicio autorizado.
- Realice únicamente las tareas de mantenimiento indicadas en el manual del operador. Cualquier otro trabajo de mantenimiento deberá ser realizado por un técnico.
- Utilice guantes para trabajo pesado al utilizar el equipo de corte para evitar lesiones causadas por la cuchilla afilada.
- Mantenga los bordes cortantes limpios y afilados para un rendimiento óptimo y seguro.
- Si tiene dificultades con el mantenimiento, solicite a un técnico de servicio que realice inspecciones periódicas del producto y haga los ajustes y reparaciones necesarios.
- Reemplace las piezas dañadas, desgastadas o rotas inmediatamente.
- Siga las instrucciones del fabricante al cambiar los accesorios. Use solo accesorios aprobados por el fabricante.

Cuando no esté en uso, guarde el producto, la batería y el cargador de la batería en un lugar interior seco y cerrado. Mantenga el producto, la batería y el cargador de la batería fuera del alcance de los niños y de personas no autorizadas.

BATERÍA Y CARGADOR

ADVERTENCIA

Utilice únicamente baterías de reemplazo aprobadas por Kobalt. Otras baterías pueden causar lesiones o daños a la podadora. Use solamente los paquetes de baterías y los cargadores que se indican a continuación:

PAQUETE DE BATERÍAS: KB 224-03, KB 224-06, KB 324-06, KB 424-03, KB 424A-06, KXB 424-03, KB 424-06, KB 524-03, KB 524-06, KB 624-03, KB 624-06, KXB 824-03, KB 824-06

CARGADOR: KRC 2445-03, KCH 2401-03, KDPC 124-03, KRC 2490-03, KCH 2411-03, KRC 2404-03, KCH 324-06, KCH 624-06, KCH 1024-06, KCH 1424-06

Para obtener mejores resultados de rendimiento, utilice con (2) baterías de 4.0 Ah o superiores.

REGLAS DE SEGURIDAD DE LA BATERÍA

- Las herramientas que funcionan a batería no se deben enchufar en un tomacorriente; por lo tanto, siempre están en condiciones de funcionamiento. Tenga en cuenta que hay posibles peligros cuando no usa su herramienta con batería o cuando cambia los accesorios. Al seguir esta norma disminuirá el riesgo de una descarga eléctrica, incendio o lesiones personales.
- No coloque las herramientas con batería ni sus baterías cerca del fuego o calor. Esto disminuirá el riesgo de explosión y posiblemente lesiones.
- No triture, deje caer ni dañe el paquete de baterías. No utilice un paquete de baterías que se haya caído o recibido un golpe fuerte. Una batería dañada puede explotar. Deseche adecuada e inmediatamente una batería que se haya caído o presente daños.
- Las baterías pueden explotar en la presencia de una fuente de ignición, como la luz piloto. Para reducir el riesgo de lesiones personales graves, nunca utilice un producto inalámbrico en la presencia de una llama directa. Una batería explotada puede expulsar residuos y productos químicos. Si se expone, enjuague con agua inmediatamente. No coloque la herramienta con batería en una ubicación húmeda ni mojada. Seguir esta norma reducirá el riesgo de descarga eléctrica.
- Para obtener mejores resultados, su herramienta con batería se debe cargar en una ubicación donde la temperatura sea superior a 6 °C (43 °F), pero inferior a 40 °C (104 °F). Para reducir el riesgo de lesiones personales graves, no guarde el producto al aire libre ni dentro de vehículos.

▲ INFORMACIÓN DE SEGURIDAD

- Es posible que se produzcan fugas de la batería bajo condiciones de temperatura o uso extremos. Si el líquido entra en contacto con la piel, lave inmediatamente con agua y jabón. Si entra líquido en sus ojos, enjuáguelos con agua limpia durante al menos 10 minutos y luego busque atención médica inmediatamente. Seguir esta norma puede reducir el riesgo de lesiones personales graves.
- Cuando el paquete de baterías no esté en uso, aléjelo de objetos metálicos, como: sujetapapeles, monedas, llaves, clavos, tornillos u otros objetos metálicos pequeños que pudieran crear una conexión entre los terminales. Es posible que los terminales de la batería produzcan chispas, quemaduras o un incendio.
- Siempre retire el paquete de baterías de la herramienta cuando no esté en uso o cuando esté ensamblando las piezas, realizando ajustes o limpiándolo. La extracción del paquete de baterías evitará que se produzca un arranque accidental, lo que podría causar graves lesiones personales.
- Siempre retire el paquete de baterías antes de almacenar o transportar el dispositivo. Cuando la batería esté completamente cargada, desconecte el cargador del suministro de electricidad y retire el paquete de baterías del cargador.
- Siempre use lentes de protección con protectores laterales que cumplan con la norma ANSI Z87.1, además de auriculares de seguridad. De lo contrario, los objetos que salgan despedidos pueden ingresar a los ojos y causar otras lesiones graves.
- Mantenga el paquete de baterías seco, limpio y sin aceite ni grasa. Siempre utilice un paño limpio para limpiar el producto. Nunca utilice líquidos para frenos, gasolina, productos a base de petróleo ni cualquier solvente para limpiar el paquete de baterías.

CUIDADO ADECUADO DE LA BATERÍA

Almacenamiento fuera de temporada

Para obtener un periodo más largo de vida para las baterías, se sugiere seguir los siguientes pasos:

- Retire los paquetes de baterías del cargador una vez que estén completamente cargados y listos para usar.

Para el almacenamiento de un paquete de baterías por más de 30 días:

- Guarde los paquetes de baterías en un lugar donde la temperatura sea inferior a 27 °C y lejos de la humedad.
- Almacene los paquetes de baterías en una condición de carga del 30% al 50%.
- Cada dos meses de almacenamiento, cargue los paquetes normalmente.

REGLAS DE SEGURIDAD DEL CARGADOR

- Cargue las baterías de la podadora en una zona seca y protegida de la intemperie. No exponga la podadora ni el cargador a la lluvia. No cargue las baterías en una ubicación mojada. Opere el cargador de la batería a temperaturas entre 6 °C y 40 °C. Para reducir el riesgo de descargas eléctricas, utilice únicamente el cargador proporcionado por el fabricante para cargar las baterías.
- No use indebidamente los cables de cargador. Nunca use los cables para llevar el cargador. No desconecte el cargador del tomacorriente jalando de los cables.
- No utilice un cargador dañado. Reemplace los cables del cargador o el cargador inmediatamente.
- Mantenga la podadora y el cargador alejados del agua, fuentes de calor (radiadores, calentadores, estufas, etc.), llamas y productos químicos.
- Asegúrese de que los paquetes de baterías estén conectados al cargador antes de comenzar la operación.

INFORMACIÓN DE SEGURIDAD

- Los paquetes de baterías se calentarán ligeramente al tacto mientras se cargan. Esto es normal y no es señal de problemas.
- No coloque el cargador y el paquete de baterías en un área con frío o calor extremos. Funcionan mejor a temperatura ambiente normal.
- Cuando las baterías estén completamente cargadas, desenchufe el cargador del suministro de electricidad y retire el paquete de baterías.

ADVERTENCIA

Siempre retire las baterías al transportar la unidad o efectuarle tareas de mantenimiento.

ADVERTENCIA (PROPUESTA 65)

Algo del polvo provocado por las lijas, sierras, trituradoras y taladros eléctricos, y otras actividades de construcción contiene productos químicos reconocidos como causantes de cáncer y defectos congénitos u otros daños en el aparato reproductivo. Algunos ejemplos de estos químicos son:

- plomo de pinturas con base de plomo,
- sílice cristalina de ladrillos, cemento y otros productos de mampostería
- arsénico y cromo de madera tratada con químicos.

El riesgo que corre a la exposición de estos químicos varía dependiendo de la frecuencia con que realiza estos tipos de trabajos. Para reducir la exposición a estos productos químicos: trabaje en un área bien ventilada y con el equipamiento de seguridad aprobado, como por ejemplo máscaras especialmente diseñadas para filtrar las partículas microscópicas.

SERVICIO

El mantenimiento del producto requiere extremo cuidado y conocimientos técnicos, por lo cual solo debe ser efectuado por un técnico de servicio calificado. Para realizar el mantenimiento, le recomendamos llevar el producto al CENTRO DE SERVICIO AUTORIZADO más cercano para su reparación. Al realizar mantenimiento, utilice solo piezas de repuesto idénticas a las de fabricación.

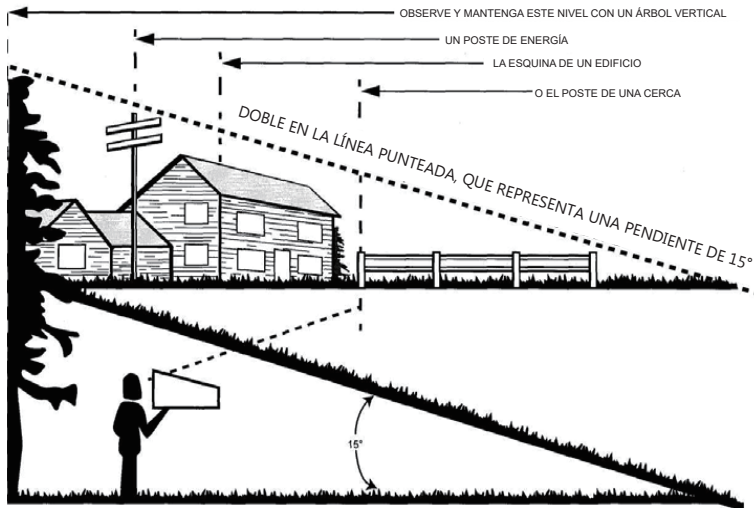
▲ INFORMACIÓN DE SEGURIDAD

Medidor de pendientes

▲ ADVERTENCIA

Las pendientes son un factor importante relacionado con accidentes de resbalones y caídas, que pueden resultar en lesiones graves. Utilizar la podadora sobre una pendiente requiere mayor precaución. Si se siente inseguro en una cuesta, no la podes. Para su seguridad, use el medidor de pendientes que se incluye como parte de este manual para medir la pendiente antes de operar la unidad en una zona inclinada.

- Podes atravesando las pendientes; no hacia arriba ni hacia abajo. Tenga mucha precaución al cambiar de dirección en una pendiente.
- Tenga cuidado con los pozos, surcos, piedras, objetos ocultos o montículos que puedan provocar que se resbale o tropiece. El césped alto puede ocultar obstáculos. Retire todos los objetos como piedras, ramas de árboles, etc., que puedan provocar tropezones o ser lanzados por la cuchilla.
- Siempre asegúrese de su postura. Un resbalón y caída puede provocar lesiones serias. Si siente que está perdiendo el equilibrio, suelte el mango de control del motor/cuchilla inmediatamente. La cuchilla para de girar en 3 segundos.
- No podes el pasto de precipicios, zanjas o terraplenes; podría perder la firmeza de la postura o el equilibrio.
- No corte el césped en pendientes de más de 15°, determinado con el uso del medidor de pendientes.
- No podes la grama húmeda o mojada. Un apoyo poco estable podría provocar resbalones.



▲ ADVERTENCIA

No corte el césped en una pendiente que tenga un ángulo mayor de 15° (una elevación de aproximadamente 0.76 m [2 1/2 pies] cada 3.04 m [10 pies]). Corte transversalmente en el frente de una pendiente, nunca de arriba hacia abajo.

GUARDE ESTAS INSTRUCCIONES

PREPARACIÓN

Antes de empezar a ensamblar del producto, asegúrese de tener todas las piezas. Compare las piezas con la lista del contenido del paquete y la lista de aditamentos. Si hay piezas faltantes o dañadas, no intente ensamblar el producto.

DESEMPAQUE

- Retire el producto y los accesorios de la caja cuidadosamente. Asegúrese de que estén incluidos todos los artículos que aparecen en la lista de empaque y los aditamentos.
- Inspeccione cuidadosamente la herramienta para asegurarse de que no haya sufrido ninguna rotura o daño durante el transporte.
- No deseche el material del envase hasta que haya inspeccionado cuidadosamente y haya utilizado el producto.
- Si hay piezas dañadas o faltantes, llame al **888-356-2258** para solicitar ayuda. También puede ponerse en contacto con nosotros a través de **ascsc@lowes.com**.

Tiempo aproximado de ensamblaje: 5 minutos

INSTRUCCIONES PARA EL ENSAMBLAJE

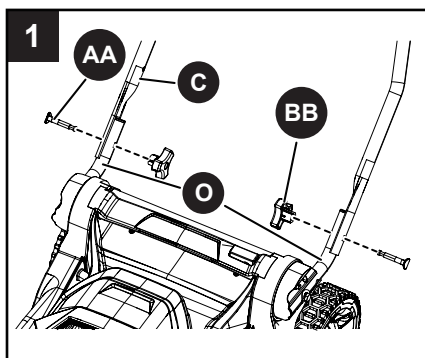
1. Instale el mango inferior

⚠ ADVERTENCIA

Su podadora de césped se envía con los mangos desinstalados. No intente encender la podadora hasta que el conjunto del manillar esté instalado y plegado.

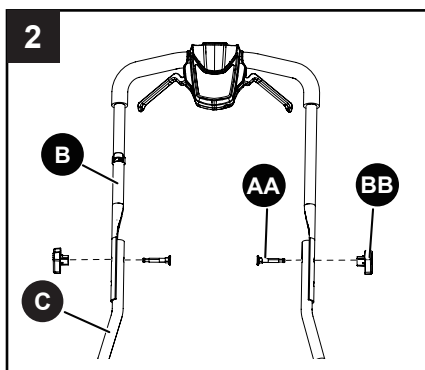
- Alinee los orificios de montaje del mango inferior (C) y la varilla doblada (O).
- Inserte el perno del mango (AA) a través de los orificios y asegure el mango inferior con la perilla del mango (BB).
- Repita la operación con el otro lado.

Nota: asegúrese de que ambos mangos inferiores estén instalados en la misma posición.



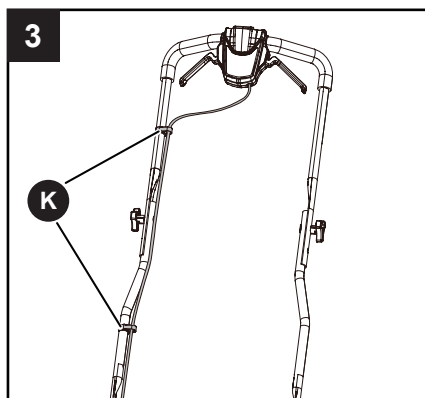
2. Instale el mango superior

- Alinee los orificios de montaje del mango superior (B) y el mango inferior (C).
- Inserte el perno del mango (AA) a través de los orificios y asegure el mango superior con la perilla del mango (BB).
- Repita la operación con el otro lado.



3. Enrutamiento de cables

- Ajuste el cable y asegúrelo a los sujetadores de cable (K) para que no se interponga durante el funcionamiento.



⚠ADVERTENCIA

- Para reducir el riesgo de lesiones, coloque la podadora de césped en una superficie nivelada y asegúrela antes de ensamblar el mango.
- El mango inferior y el mango superior se pueden plegar hacia abajo aflojando las perillas del mango. Compruebe que las perillas estén bien apretadas.
- Cuando suelte las perillas, sujete el mango en el punto más alto con una mano y gire las perillas con la otra mano. Tenga cuidado durante la operación para evitar pillarse los dedos entre las piezas sueltas.

⚠ADVERTENCIA

Plegar o desplegar el mango de forma incorrecta puede dañar los cables y provocar una condición de funcionamiento insegura.

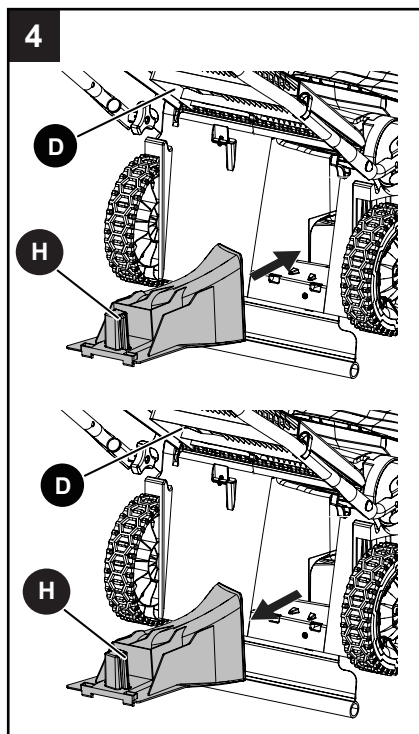
- No dañe los cables al plegar o desplegar el mango.
- Si un cable está dañado, comuníquese con un distribuidor de servicio autorizado.

⚠ADVERTENCIA

No realice ningún ajuste en la podadora de césped en ningún momento sin antes detener el motor, retirar los paquetes de baterías y esperar a que la cuchilla deje de girar.

4. Instalación/desmontaje del aditamento para mantillo

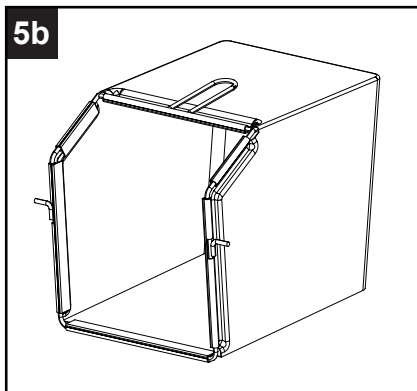
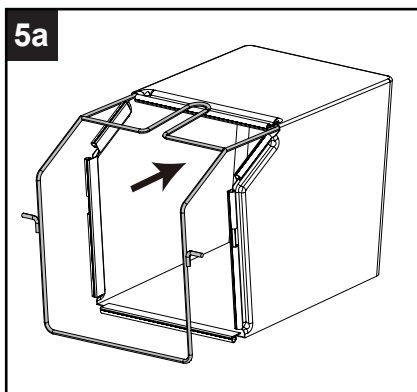
- Retire los paquetes de baterías.
- Levante y sostenga la puerta de descarga posterior (D).
- Sujete el mango del aditamento para mantillo (H) y jale de él hacia afuera.
- Para instalar el aditamento para mantillo, levante la puerta de descarga posterior (D), sujete el mango del aditamento para mantillo (H) e insértelo completamente en la podadora de césped, de modo que quede bien asentado.



INSTRUCCIONES PARA EL ENSAMBLAJE

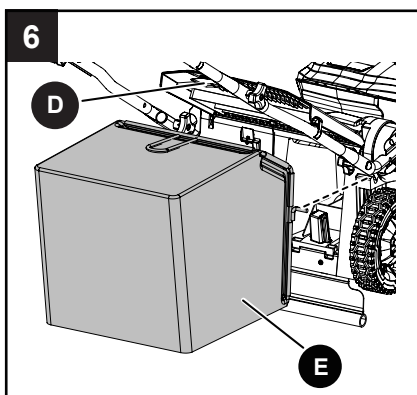
5. Ensamble de la bolsa para césped

- Verifique la bolsa para césped antes de ensamblarla para asegurarse de que no haya daños.
- Deslice la bolsa para césped sobre su estructura, como se muestra en la Figura 5a.
- Ensamble los sujetadores superiores a la estructura y luego los sujetadores laterales. Ensamble el sujetador inferior al final.
- La bolsa para césped completamente ensamblada (E) se muestra en la Figura 5b.



6. Instalación y extracción de la bolsa para césped

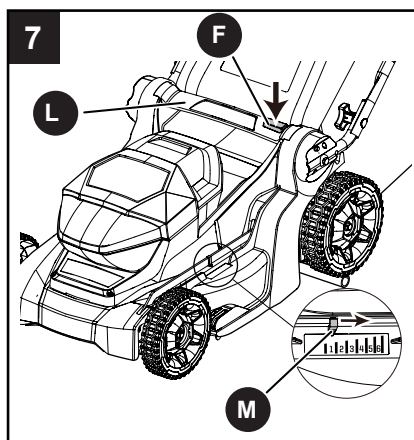
- Retire los paquetes de baterías.
- Levante y sostenga la puerta de descarga posterior (D).
- Si el aditamento para mantillo (H) está instalado, retírelo.
- Sujete la bolsa para césped (E) por el mango y colóquela debajo de la puerta de descarga posterior de manera que los ganchos de la estructura de la bolsa para césped queden enganchados en las ranuras posteriores.
- Baje la puerta de descarga posterior (D) sobre la bolsa para césped (E) hasta que quede completamente segura.
- Para retirar la bolsa para césped, levante la puerta de descarga posterior (D) y sujétela. Levante la bolsa para césped (E) por su mango y sáquela de las ranuras posteriores. Libere la puerta de descarga posterior.



7. Ajuste de altura de corte

La podadora de césped se puede configurar a 6 alturas de corte diferentes entre 4.06 cm (1.6 pulg.) y 9.9 cm (3.9 pulg.). Antes de utilizar la podadora, elija la altura de corte adecuada que mejor se adapte al tipo y condición de su césped.

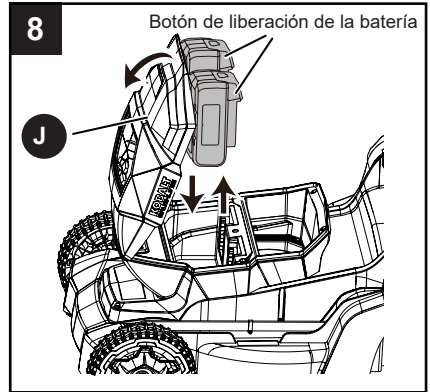
- Retire los paquetes de baterías.
- Sujete el mango posterior (L), mantenga presionado el botón de ajuste de altura (F) y jale de la podadora hacia arriba para mover el indicador de ajuste de altura (M) a una posición más alta y aumentar la altura de corte.
- Suelte el botón de ajuste de altura (F) para bloquear la configuración de altura de corte.
- Para bajar la altura de corte, sujete el mango posterior (L), mantenga presionado el botón de ajuste de altura (F) y empuje la podadora hacia abajo para mover el indicador de ajuste de altura (M) hacia abajo y disminuir la altura de corte. Suelte el botón de ajuste de altura (F) para bloquear la configuración de altura de corte.



INSTRUCCIONES DE USO

8. Instalación y retiro de las baterías

- Levante y sostenga la tapa de las baterías (J).
- Alinee la parte elevada de los paquetes de baterías con las ranuras en las ranuras de las baterías.
- Empuje los paquetes de baterías en las ranuras de la batería hasta que los paquetes de baterías encajen en su lugar.
- Cuando escuche un clic, las baterías estarán instaladas correctamente y la podadora de césped estará lista para usarse.
- Cierre la puerta de las baterías (J).
- Para quitar los paquetes de baterías, abra la puerta de las baterías (J), presione los botones de liberación de las baterías y tire de los paquetes de baterías hacia arriba y hacia afuera de las ranuras de las baterías. Cierre la puerta de las baterías (J).



Nota:

- Esta podadora requiere dos baterías Kobalt de 24V para funcionar.
- La cavidad en la parte posterior de las ranuras de las baterías se puede utilizar para almacenar paquetes de baterías de repuesto.

⚠ ADVERTENCIA

Los productos que funcionan con batería siempre están en condiciones de operación. Por lo tanto, siempre retire los paquetes de baterías cuando la podadora no esté en uso.

Protección contra sobrecargas de la podadora

- Para prevenir sobrecargas, no intente cortar demasiado césped de una vez. Disminuya su ritmo de corte o aumente la altura de corte.
- La podadora cuenta con una protección de circuito contra sobrecarga integrada. Cuando la podadora se sobrecarga, el motor se detendrá. Retire los paquetes de baterías de la podadora. Verifique si se ha acumulado césped debajo de la plataforma y límpielo. Si es necesario, luego vuelva a instalar los paquetes de baterías y reinicie la podadora.

Protección contra temperaturas altas de las baterías

Los paquetes de baterías generarán calor durante el funcionamiento. El calor se disipa más lentamente en climas cálidos. Si las baterías se sobrecalientan durante el funcionamiento, el circuito de protección apagará inmediatamente la podadora para proteger los paquetes de baterías del daño por calor. Suelte el interruptor del seguro, espere hasta que los paquetes de baterías se enfrien y luego reinicie la podadora.

INSTRUCCIONES DE USO

9. Arranque y detención del producto

9a. Encendido

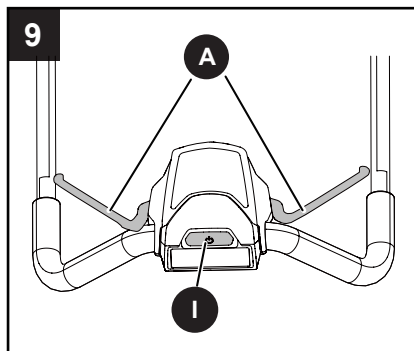
- Mantenga presionado el botón de encendido (I). Luego, sujete cualquiera de las palancas de activación de la cuchilla (A) hacia el manillar.

Nota: complete las dos acciones consecutivas dentro de 5 segundos.

- Una vez que el producto haya arrancado, puede soltar el botón de encendido.

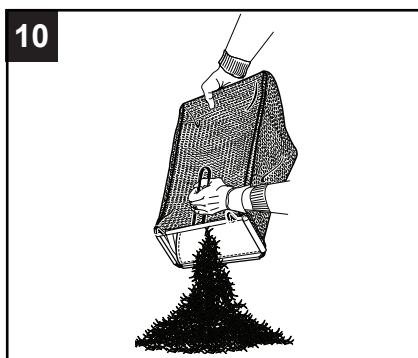
9b. Apagado

- Suelte las palancas de activación de la cuchilla.
- El freno eléctrico detendrá la rotación de la cuchilla dentro de los 3 segundos luego de soltar las palancas de activación de la cuchilla.



10. Vaciado de la bolsa para césped

- Detenga la podadora de césped, deje que la cuchilla se detenga por completo y retire las baterías.
- Levante la puerta de descarga posterior.
- Levante la bolsa para césped por su mango para retirarla de la podadora.
- Vacíe los recortes de césped como se muestra en la Fig. 10.
- Levante la puerta de descarga posterior y vuelva a instalar la bolsa para césped, tal como se describió anteriormente en este manual.



11. Consejos para el funcionamiento

- El funcionamiento de la podadora de césped puede lanzar objetos extraños hacia los ojos y causarle daños oculares graves, tanto a usted como a los demás. Siempre use lentes de seguridad cuando utilice la podadora o cuando realice tareas de ajustes o reparaciones en esta.
- Verifique que no haya piedras, palos, cables u otros objetos en el césped que puedan dañar la podadora de césped o el motor. Es posible que la podadora lance por el aire estos objetos accidentalmente y en cualquier dirección. Esto puede ocasionar lesiones personales graves al operador y a otras personas.
- Cuando use la podadora, asegúrese de que las personas y mascotas se encuentren a 30.48 m (100 pies) de distancia como mínimo.
- La cuchilla seguirá girando durante unos segundos una vez que se apague la podadora. Deje que el motor y la cuchilla se detengan antes de volver a encenderla. No encienda y apague la podadora rápidamente.
- No intente anular el funcionamiento del botón de arranque y las palancas de activación de la cuchilla.
- No incline el producto cuando lo encienda.
- No ponga las manos ni los pies cerca o debajo de la plataforma de corte.
- El rendimiento de la podadora será mucho mayor con una cuchilla filosa, especialmente para cortar césped alto. Asegúrese de revisar el filo de la cuchilla antes de comenzar a podar.
- Para obtener mejores resultados, no corte el césped de manera circular. Muévase hacia delante y hacia atrás sobre el césped.
- Coloque la podadora a la altura de corte más alta cuando corte en un terreno irregular o en una subida alta.
- Para que la trituración sea efectiva, no corte el césped si está húmedo, ya que tiende a pegarse en el lado inferior de la plataforma y, de esta manera, el césped no se tritura correctamente. El mejor momento para podar el césped es durante el final de la tarde, ya que este está seco y la zona recién cortada no queda expuesta a la luz del sol directa.
- Cuando corte césped grueso, pase la podadora más lentamente para lograr un mejor corte y una adecuada descarga de recortes.
- Para mantener un césped saludable, corte solo un tercio o menos de la longitud de la hoja de césped, idealmente no más de 12.7 mm (1/2 pulg.) a la vez. Si el césped está cubierto de vegetación, puede ser necesario aumentar la altura de corte para que sea más fácil y evitar una sobrecarga del motor.
- Limpie la parte inferior de la plataforma de la podadora después de cada uso. Retire los recortes de césped, las hojas, la suciedad y otros desechos.

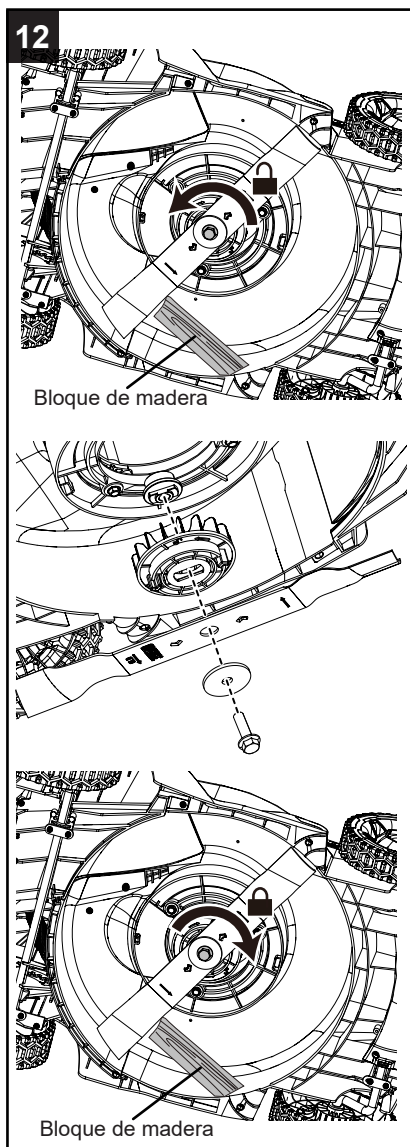
NOTA: si choca contra un objeto extraño, detenga el motor y retire los paquetes de baterías. Revise la podadora minuciosamente y verifique que no esté dañada. Si se produjo algún daño, repárelo antes de volver a encender y usar la máquina. La vibración excesiva de la podadora durante su funcionamiento advierte un daño. La máquina se debe revisar y reparar a la brevedad.

12. Reemplace la cuchilla para podadora

ADVERTENCIA

Siempre use guantes para trabajo pesado y envuelva los bordes cortantes con trapos u otros materiales para protegerse las manos cuando realice cualquier tarea de mantenimiento a la cuchilla para podadora. Siempre retire los paquetes de baterías al transportar la podadora o efectuarle tareas de mantenimiento.

- Detenga el producto. Asegúrese de que las cuchillas se detengan por completo. Retire los paquetes de baterías.
- Ponga el producto de lado.
- Utilice un bloque de madera para impedir la rotación de la cuchilla.
- Utilice una llave inglesa o un dado de 15 mm (no incluido) para aflojar el perno de la cuchilla al girarlo en dirección contraria a las manecillas del reloj. Retire el perno de la cuchilla, la arandela y la cuchilla para podadora.
- Tome la cuchilla de repuesto y colóquela con los bordes de corte hacia el suelo.
- Alinee las ranuras de montaje en la cuchilla con las varas de montaje que sobresalen del ventilador de la cuchilla.
- Monte el perno con la arandela en el eje y gírelo con la mano en dirección de las manecillas del reloj para apretarlo.
- Utilice una llave inglesa o un dado de 15 mm para apretar el perno en dirección de las manecillas del reloj. El torque recomendado para el perno de la cuchilla es de 3.56 kgf-m (35 Nm).

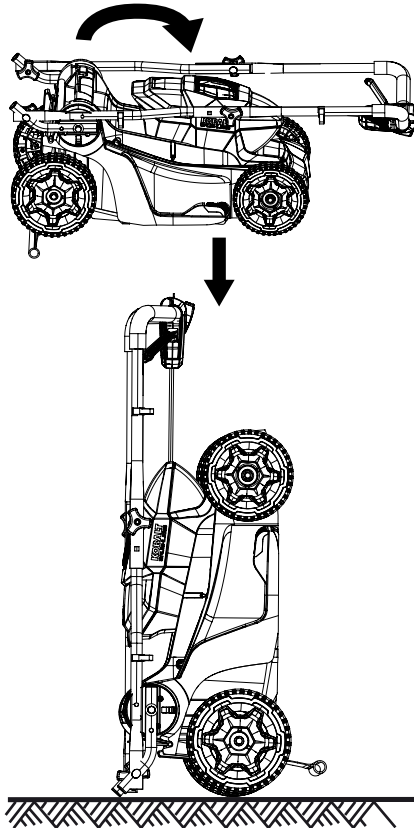


13. Almacenaje vertical

- Retire los paquetes de baterías de la podadora.
- Retire la bolsa para césped si está instalada en la podadora.
- Gire las perillas del mango inferior en dirección contraria a las manecillas del reloj hasta la posición de desbloqueo.
- Gire el ensamble del mango hacia adelante y hacia abajo hasta la posición de almacenamiento y luego gire las perillas del mango inferior en dirección de las manecillas del reloj para asegurarlo.
- Levante la podadora de césped por los mangos superiores hasta la posición de almacenamiento vertical.

NOTA: la podadora de césped también se puede almacenar en posición horizontal con la sección del mango superior plegada hacia abajo. Simplemente gire las perillas del mango superior en dirección contraria a las manecillas del reloj para aflojarlas y luego gire los mangos superiores sobre los mangos inferiores y hacia la parte posterior de la podadora de césped.

13



⚠ ADVERTENCIA

Cuando suelte las perillas, sujete el mango en el punto más alto con una mano y gire las perillas con la otra mano. Tenga cuidado durante la operación para evitar pillarse los dedos entre las piezas sueltas.

14. Almacenamiento de la podadora

Debe seguir en orden los pasos a continuación antes de guardar la podadora de césped.

- Retire los paquetes de baterías.
- Limpie el producto antes de almacenarlo.
- Asegúrese de que el motor no esté caliente cuando almacene el producto.
- Asegúrese de que el producto no tenga piezas sueltas ni dañadas. Si es necesario, siga estas instrucciones:
 1. Reemplace las piezas dañadas.
 2. Apriete los pernos.
 3. Hable con una persona de un departamento de servicio aprobado.
- Guarde la podadora a temperatura ambiente en un lugar seco y limpio que esté cerrado y sea inaccesible para los niños.
- Mantenga alejado de agentes corrosivos, como productos químicos para jardín y sales descongelantes.
- No la cubra con un cobertor de plástico sólido, Las cubiertas plásticas atrapan la humedad alrededor de la podadora, lo que produce óxido y corrosión.

15. Reparación

El mantenimiento requiere sumo cuidado y conocimiento, y solo un técnico de servicio calificado debe realizarlo. Para realizar el mantenimiento, le recomendamos llevar el producto al CENTRO DE SERVICIO AUTORIZADO más cercano para su reparación. Al realizar mantenimiento, utilice solo piezas de repuesto idénticas.

ADVERTENCIA

- Cuando repare la podadora, utilice únicamente piezas de repuesto idénticas disponibles del fabricante. Para obtener piezas de repuesto, llame a la línea de ayuda gratuita al 888-356-2258. El uso de piezas que no cumplen con las especificaciones del equipo original podría causar un rendimiento inadecuado y poner en riesgo la seguridad.
- Antes de limpiar, reparar o inspeccionar la podadora, verifique que la cuchilla y todas las piezas móviles se hayan detenido por completo. Retire las baterías cuando realice algún ajuste o cuando alguna de las cuatro ruedas deba levantarse del suelo.
- Mantenga los mangos secos, limpios y sin aceite ni grasa.
- Para reducir el riesgo de un incendio, mantenga el motor libre de acumulaciones de césped, hojas y desechos.
- Verifique frecuentemente que los pernos de montaje del motor y la cuchilla estén bien ajustados. Inspeccione visualmente si la cuchilla está dañada (por ejemplo, si está doblada, agrietada o desgastada).
- Para obtener un rendimiento óptimo y seguro, conserve la podadora con cuidado. Mantenga la cuchilla para podadora limpia y afilada. Las cuchillas para podadora son filosas y pueden cortar. Envuelva las cuchillas o use guantes, y tenga mucho cuidado cuando realice su mantenimiento.
- Mantenga tuercas, pernos y tornillos ajustados para asegurarse de que el equipo se encuentra en buenas condiciones de funcionamiento.
- No manipule los dispositivos de seguridad. Verifique regularmente su correcto funcionamiento.
- Después de golpear un objeto extraño, detenga el motor. Inspeccione minuciosamente si la podadora se dañó. Repare los daños antes de usar la podadora.
- Los componentes del colector de césped, la cubierta de descarga y los protectores pueden desgastarse y dañarse, lo que puede dejar expuestas las piezas móviles y permitir que se arrojen objetos. Como una precaución de seguridad, revise frecuentemente estos componentes y cambie de inmediato las piezas que muestren signos de desgaste o que estén agrietadas o rotas. Use solamente piezas del fabricante original del equipo (OEM, por sus siglas en inglés), según se indica en este manual.
- Cuando no use la podadora, almacénela en el interior, en un área seca y fuera del alcance de los niños
- Siempre retire las baterías al transportar la podadora o efectuarle tareas de mantenimiento.

SOLUCIÓN DE PROBLEMAS

Si continua teniendo dudas o algún otro asunto sin resolver tras haber consultado esta guía de resolución de problemas o simplemente desea hablar con un experto en productos Kobalt, llame al Departamento de Servicio al Cliente de Kobalt al **888-356-2258**, de lunes a domingo de 8 a.m. a 8 p.m. (hora estándar del Este).

PROBLEMA	CAUSA POSIBLE	SOLUCIÓN
El mango no se encuentra en posición.	Los pernos no están correctamente enganchados.	Ajuste la altura del mango y asegúrese de que los pernos y las tuercas estén alineados correctamente.
El producto no arranca. <i>Nota: la podadora requiere (2) baterías Kobalt de 24V para su funcionamiento.</i>	La capacidad de la batería es baja.	Cargue el paquete de baterías.
	El mango de arranque está defectuoso.	Reemplace el mango de arranque.
	La llave de la batería no está puesta.	Coloque la llave de la batería.
El producto corta el césped de manera irregular.	El césped está duro.	Examine el área de corte.
	La altura de la hoja no está ajustada correctamente.	Mueva las ruedas a una posición más alta.
Es difícil empujar la podadora.	El césped es demasiado alto o la altura de corte es demasiado baja.	Aumente la altura de corte.
	La parte posterior de la carcasa de la podadora y la cuchilla arrastran el césped grueso.	Vacíe los recortes de césped de la bolsa del colector de césped.
El producto no tritura correctamente.	Los recortes de césped mojado se adhieren a la plataforma.	Espere a que el césped se seque antes de podar.
	Falta el aditamento para mantillo.	Instale el aditamento para mantillo.
Hay una alta vibración en el producto	La cuchilla está desequilibrada y desgastada.	Reemplace la cuchilla.
	El eje del motor está doblado.	<ol style="list-style-type: none"> 1. Detenga el motor. 2. Retire la llave de seguridad y el paquete de baterías. 3. Desconecte el suministro de electricidad. 4. Revise el producto para verificar que no esté dañado. 5. Repare el producto antes de volver a ponerlo en marcha.

SOLUCIÓN DE PROBLEMAS

PROBLEMA	CAUSA POSIBLE	SOLUCIÓN
El producto se detiene durante el corte.	La altura de la hoja es demasiado baja.	Aumente la altura de la cuchilla.
	El paquete de baterías está agotado.	Cargue el paquete de baterías.
	Los recortes de césped se adhieren a la plataforma o a la cuchilla.	Retire el paquete de baterías y revise la plataforma.
	La temperatura de operación del producto es demasiado elevada.	Enfríe el producto.

GARANTÍA

5 AÑOS DE GARANTÍA LIMITADA

Esta podadora inalámbrica Kobalt de 48V de 43.18 cm está garantizada para el comprador original desde la fecha de compra original durante cinco (5) años y está sujeta a la cobertura de garantía que se describe en el presente.

Esta podadora inalámbrica Kobalt de 48V de 43.18 cm tiene una garantía para el usuario original contra defectos en los materiales y la mano de obra.

Si cree que la podadora inalámbrica Kobalt de 48V de 43.18 cm está defectuosa en cualquier momento durante el período de garantía especificado, simplemente llame a nuestro servicio de garantía (**888-356-2258**) y tenga a mano el comprobante de compra.

Esta garantía es nula si: los defectos en los materiales o la mano de obra o los daños han sido causados por reparaciones o modificaciones hechas o que se hayan intentado hacer por parte de terceros o el uso no autorizado de piezas incompatibles; el daño es debido al desgaste normal; el daño es debido al abuso (lo que incluye la sobrecarga de la herramienta por encima de su capacidad), mantenimiento inadecuado, negligencia o accidente; o el daño es debido al uso de la herramienta después de una falla parcial, el uso con accesorios inadecuados o reparaciones o alteraciones no autorizadas.

Esta garantía excluye el reemplazo de hojas y de bolsas para césped.

Esta garantía le otorga derechos legales específicos, pero podría tener también otros derechos que varían según el estado.

Las piezas de repuesto no están cubiertas por la garantía.

LISTA DE PIEZAS DE REPUESTO

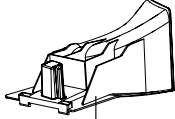
Para obtener piezas de repuesto, llame a nuestro Departamento de Servicio al Cliente al **888-356-2258**, de lunes a domingo de 8 a.m. a 8 p.m., hora estándar del Este. También puede ponerse en contacto con nosotros a través de ascs@lowes.com.



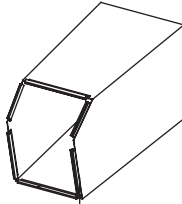
AA



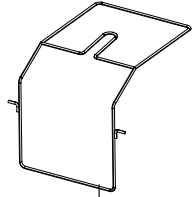
BB



H



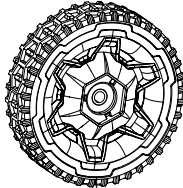
E



V



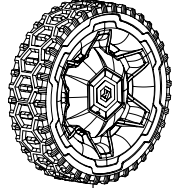
P



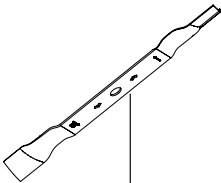
Q



P1



Q1



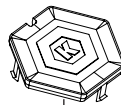
R



S



T



U

LISTA DE PIEZAS DE REPUESTO

PIEZA	DESCRIPCIÓN	PIEZA #
AA	Perno del mango	R0203080-00
BB	Perilla del mango	R0214330-00
H	Aditamento para mantillo	R0300443-00
E	Bolsa para césped	R0214331-00
V	Estructura de la bolsa para césped	R0214590-00
P	Rueda frontal	R0214332-00
Q	Rueda posterior	R0214333-00
P1	Ensamble de las ruedas frontales	R0214592-00
Q1	Ensamble de las ruedas posteriores	R0214593-00
R	Cuchilla	RA333161559AB
S	Perno de la hoja	R0102226-00
T	Arandela	RA333021527
U	Tapa central de la rueda	R0214591-00

Rev B



P0806985-01