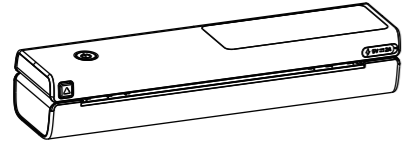


Quick Start Guide

L85

Portable printer



HVIN:L85

English

1. Product Introduction

1.1 Packing List



Printer × 1



Quick Start Guide × 1

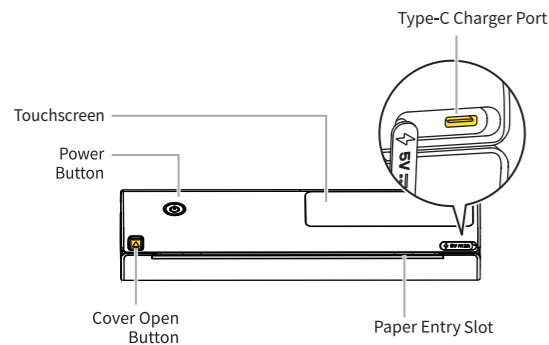


Type-C Cable × 1



Tattoo Transfer Paper × 1

1.2 Printer Parts Instruction



2. Getting Started

2.1 Download the App

Method 1: Search for the "Phomemo" app on App Store® or Google Play™ for download and installation.

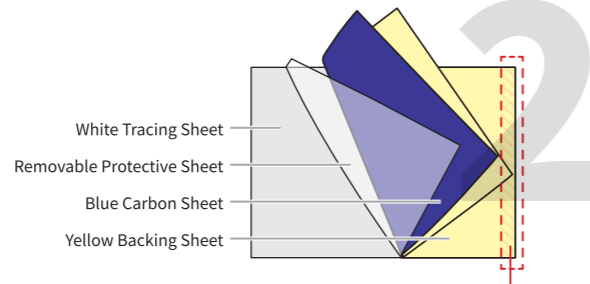


Method 2: Scan the QR code. You can scan the code using your cell phone's camera, the built-in QR code scanning feature of your browser, or a dedicated scanning app.



As the Safari browser on Apple devices does not support QR code scanning, please use your device's built-in QR code scanner instead.

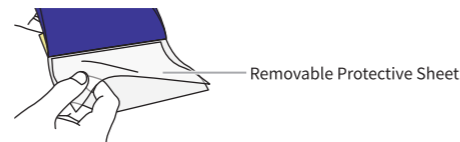
2.2 Tattoo Transfer Paper Introduction



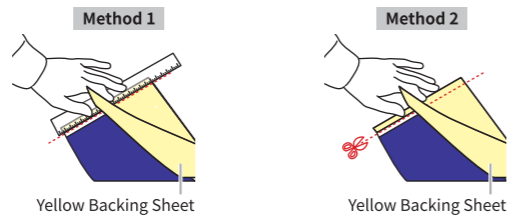
This area is the adhesive seam at the top of the paper; please do not tear it!

2.3 Preparation Before Use

01 Take out a piece of tattoo transfer paper, and remove its Protective Sheet.



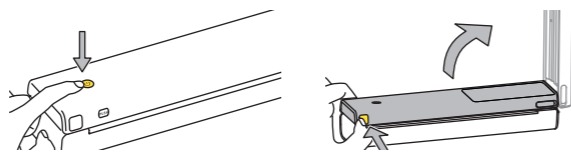
02 Trim the Yellow Backing Sheet along the top adhesive seam with a ruler or scissors.



When cutting, please make sure that the adhesive area remains intact.

2.4 Paper Installation Guide

01 Long press the Power Button for 3 seconds until the Display lights up. 02 Press the Cover Open Button and lift the Top Cover until it reaches 90 degrees.



03 Remove the protective paper. 04 Place the blue carbon sheet facing up and insert it smoothly into the printer along the paper output direction. Ensure the top edge of the tattoo paper aligns with the edge of the printer's paper exit.



Please skip this step if your printer does not contain a disposable protective sheet due to different models.

The blue carbon sheet is placed facing up.

05 Lower the top cover while applying pressure to its left side until you hear an audible 'click,' indicating that the cover is securely closed.

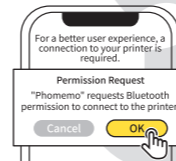


2.5 Mobile App Instructions

01 Open the "Phomemo" app.



02 Grant permissions.

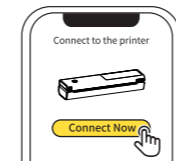


03 Wait for the printer to be searched.



For more information about app permissions, see 3.2 Permission Description in the Online Guide.

04 Tap [Connect Now].



05 Connection successful. Please click [Tattoo editing].



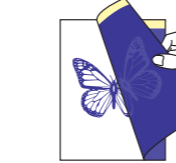
06 Edit your first image, and tap [OK] after you finish editing.



07 Confirm the preview effect of the image and then click [Print].



08 Tear off the White Tracing Sheet for use.



The software interface is for reference only. Please refer to the actual operating page for accurate information.

3. Additional Instructions

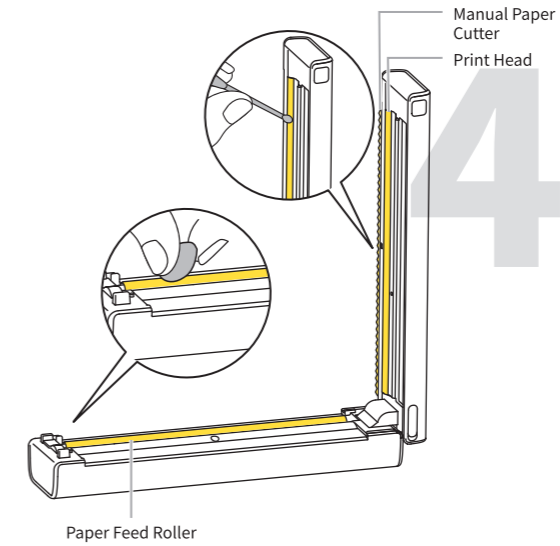
3.1 Button Instructions

Button Type	Operation	Function
Power Button	Long press for 3s	Power on/off
	Double press when printer is on	Print a self-test page

4. Cleaning and Maintenance

Disconnect the printer from the power supply before starting any cleaning or maintenance. If you encounter issues such as blank lines, blurred print, or missing characters, it may be caused by dirt on the Print Head. Please follow these steps

- If you have just finished printing, wait for at least 30 minutes for the Print Head to cool down completely.
- Use a cotton swab dipped in alcohol or a dry alcohol-soaked cotton ball to gently wipe the Rubber Roller and the Print Head left and right 5 times each, removing dust and stains from the surfaces.
- Wait 5-10 minutes for the alcohol to evaporate completely before closing the Top Cover and completing the cleaning process. You may now continue using the printer.



Print Head Warning: HOT component! Touching it when it is hot can cause burns to your fingers. Please wait for at least 30 minutes after turning off the power before touching it.

Warning: Sharp edges. Do not touch.

5. Accessing Detailed Online Guide

Visit l85.phomemo.com to access the Detailed Online Guide, video tutorials, and answers to FAQs.



6. Information to User

Warning: The operation of this equipment in a residential environment could cause radio interference.

WARNING

Please pay attention to electrical safety. Do not disassemble, crush or puncture the battery. This product is not a toy. Bitte achten Sie auf elektrische Sicherheit. Zerlegen, zerquetschen oder durchstechen Sie die Batterie nicht. Dieses Produkt ist kein Spielzeug. Veuillez noter la sécurité électrique. Ne pas démonter, écraser ou piquer la batterie. Ce produit n'est pas un jouet. Si prega di prestare attenzione alla sicurezza elettrica. Non smontare, schiacciare o perforare la batteria. Questo prodotto non è un giocattolo. Preste atención a la seguridad del consumo de electricidad. No retire, triture o pinche la batería. Este producto no es un juguete. Lützen elektrik güvenliğine dikkat edin. Bateriayi dağıtma, yıkma veya yumruklama. Bu ürün oyuncak değil. Var uppmärksam på elsäkerheten. Ta inte isär, krossa eller punktera batteriet. Den här produkten är ingen leksak. Let op elektrische veiligheid. Demonteer, verpletter of prik de batterij niet. Dit product is geen speelgoed. Proszę zwrócić uwagę na bezpieczeństwo elektryczne. Nie demontuj, nie miażdż ani nie przebijaj akumulatora. Ten produkt nie jest zabawką.

Charging Warning

- Disposal of a battery into fire or a hot oven, or mechanically crushing or cutting of a battery, that can result in an explosion.
- Leaving a battery in an extremely high temperature surrounding environment that can result in an explosion or the leakage of flammable liquid or gas
- The battery subjected to extremely low air pressure that may result in an explosion or the leakage of flammable liquid or gas.
- Replacement of a battery with an incorrect type that can result in an explosion or the leakage of flammable liquid or gas.
- Battery cannot be subjected to extremely high or low temperatures, low air pressure at high altitude during use, storage or transportation.

FCC INFORMATION (U.S.A.)

This device complies with part 15 of the FCC Rules. Operation is subject to the following two conditions: (1) this device may not cause harmful interference, and (2) this device must accept any interference received, including interference that may cause undesired operation.

Any changes or modifications not expressly approved by the party responsible for compliance could void the user's authority to operate the equipment.

Note: This equipment has been tested and found to comply with the limits for a Class A digital device, pursuant to part 15 of the FCC Rules. These limits are designed to provide reasonable protection against harmful interference when the equipment is operated in a commercial environment. This equipment generates, uses, and can radiate radio frequency energy and, if not installed and used in accordance with the instruction manual, may cause harmful interference to radio communications. Operation of this equipment in a residential area is likely to cause harmful interference in which case the user will be required to correct the interference at his own expense. The device has been evaluated to meet general RF exposure statement.

The device can be used in portable exposure condition without restriction

ISED NOTICE (Canada)

This device contains licence-exempt transmitter(s)/receiver(s) that comply with Innovation, Science and Economic Development Canada's licence-exempt RSS(s). Operation is subject to the following two conditions:

- This device may not cause interference.
- This device must accept any interference, including interference that may cause undesired operation of the device.

ISED RF exposure statement: The device has been evaluated to meet general ISED RF exposure requirement. The device can be used in portable exposure condition without restriction.

- French: L'émetteur/récepteur exempt de licence contenu dans le présent appareil est conforme aux CNR d'Innovation, Sciences et Développement économique Canada applicables aux appareils radio exempts de licence. L'exploitation est autorisée aux deux conditions suivantes:

- L'appareil ne doit pas produire de brouillage;
- L'appareil doit accepter tout brouillage radioélectrique subi, même si le brouillage est susceptible d'en compromettre le fonctionnement.

ISED Déclaration d'exposition aux RF: L'appareil a été évalué pour répondre aux exigences générales d'exposition aux RF d'ISED. L'appareil peut être utilisé dans des conditions d'exposition portable sans restriction.

Special Notes

The company assumes full responsibility for the revision and explanation of this manual, exercising utmost diligence to guarantee its accuracy. Nevertheless, please note that any technical improvements to the product may not be separately notified, and that the images of the product, accessories, software interfaces, etc. in this manual serve solely as illustrations and references. Due to product updates and upgrades, the actual product may vary slightly from the images. Please refer to the physical product for accurate representations.