

# **VEVOR<sup>®</sup>**

## **TOUGH TOOLS, HALF PRICE**

Technical Support and E-Warranty Certificate [www.vevor.com/support](http://www.vevor.com/support)

# **TREE CLIMBING SPIKES**

## **USER MANUAL**

We continue to be committed to provide you tools with competitive price.

"Save Half", "Half Price" or any other similar expressions used by us only represents an estimate of savings you might benefit from buying certain tools with us compared to the major top brands and does not necessarily mean to cover all categories of tools offered by us. You are kindly reminded to verify carefully when you are placing an order with us if you are actually saving half in comparison with the top major brands.

# VEVOR®

TOUGH TOOLS, HALF PRICE

## TREE CLIMBING SPIKES

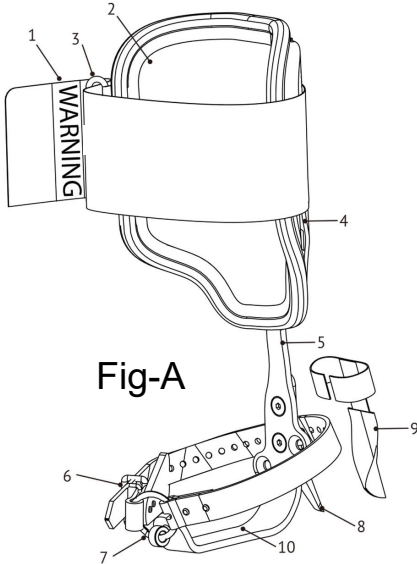


Fig-A

### NOMENCLATURE OF PARTS

- 1.Upper calf strap
- 2.Cuff pad with Velcro calf strap
- 3.Cinch bar
- 4.Adjustable cuff
- 5.Leg iron shank
- 6.Lower foot strap
- 7.Foot strap ring
- 8.Gaff with mounting screws
- 9.Gaff guard
- 10.Foot stirrup

### NEED HELP? CONTACT US!

Have product questions? Need technical support? Please feel free to contact us:

**Technical Support and E-Warranty Certificate**  
[www.vevor.com/support](http://www.vevor.com/support)

This is the original instruction, please read all manual instructions carefully before operating. VEVOR reserves a clear interpretation of our user manual. The appearance of the product shall be subject to the product you received. Please forgive us that we won't inform you again if there are any technology or software updates on our product.



**WARNING:**

Warning-To reduce the risk of injury, user must read instructions manual carefully.

PLEASE NOTE! Drawings in this manual are for illustration purposes only and in some details may differ from the actual product.

Please read this manual carefully before using the product. Failure to do so may result in serious injury. **SAVE THIS MANUAL**

## GENERAL INFORMATION

Fall Protection Lifelines			
Trademark	<b>VEVOR</b> <sup>®</sup> TOUGH TOOLS, HALF PRICE	Reference standards	ASTM F887

"VEVOR. Tree Climbers" is an adjustable restraint device conforming to standard ASTM F887.

This manual must be read and understood in its entirety . These instructions are intended to meet the manufacturer instructions. The user must fully understand the proper equipment use and limitations.

**WARNING!**

Failure to observe the following information could endanger user's life! Read all information carefully before use. Special training is essential before using climbing spurs. Activities at height are dangerous and can lead to severe injury or death. User assumes all risks and responsibility for property damage, personal injury or death which may occur during use of this product. If user is not able or in a position to assume this responsibility or to take this risk, do not use this product.

This information is intended for the user of the products indicated. If must be included with the product, read and understood by the user before placing this product into service. This equipment is to be used by properly trained, professional workers.

The information in this manual, manufacturer's demonstrations, catalog information or other promotional materials may be a part of but do not constitute proper or complete training in the use of these products.

The user must inspect this equipment before each use. Any equipment found to be worn out, damaged, subject to shock loading or in any way questionable, must immediately be removed from service.

## **GENERAL INFORMATION**

Only competent and responsible persons or those placed under direct and visual control of a competent and responsible person or instructor should use climbers. It is up to the user to foresee situations that may require rescue in case of difficulties encountered while using climbers. Obtaining training in appropriate climbing techniques and methods of safety is user's responsibility. User is responsible for confirming that this product is compatible with the other components of user's climbing system. Tree climbers and gaffs are not guaranteed to hold safely within wood. Restraint from a fall can only result from the active use of a safety lanyard and overhead line.

Do not drop the climbers from height. Climbers that have fallen from height may have visible or non-visible damage to the upper shell, the shank, gaffs and mountings. Climbers, which are damaged or dropped, should be disposed of properly. Follow all relevant standards, safety instructions and laws issued by the appropriate authorities and professional associations.

# TECHNICAL SPECIFICATIONS

Model	ROPE-G-003	ROPE-G-004	ROPE-K-006
Main Material	steel、leather	steel、leather	steel、leather
Color	brown、black	orange、black	orange、black
Product Dimensions (L*W*H)	210*210*450mm	210*210*450mm	210*210*450mm
Packing Size(L*W*H)	480*205*140mm	480*205*140mm	480*205*180mm
Net Weight (kg)	2.8	2.8	4.3
Gross Weight (kg)	3.28	3.28	4.9
height adjustment (in)	13.2"-17"	13.2"-17"	13.2"-17"
Product Show	Fig - A		

## GAFF INSPECTION

Climbers (pole and tree) must have properly shaped gaffs.

Perform gaff inspection prior to each climb.

## GAFF SHARPENING

Never grind gaffs using a powered tool, only manually sharpen gaff with a flat file.

Secure climber tightly into a vise (recommendation: wrap climber with protective material to prevent scratching) with gaff underside exposed.

Use a 6-inch flat mill file along the surface of the gaff starting at the heel and drawing toward the tip.

Do not cross-file.

Keep file fat on the gaff and clean file frequently.

Never file gaff tip to needlepoint. An improperly sharpened gaff can cause cut-out, a fall, and serious injury or death.

When complete perform the Plane & Pole Cut out Test.

## **ELECTRICAL HAZARD!**

Do not use near energized power lines, as these climbers are conductive! Don't use climbers if there are deformations of the shank, gaffs or mountings. When climbers are NOT IN USE, always apply gaff protectors.

This product is designed for climbing wooden poles and trees and must only be used together with a harness, lanyard and overhead life support line.

## **TEMPERATURE**

Use this product above a minimum of -15°C (5°F) and below a maximum of +50°C (122°F)

## **USER WEIGHT**

This product is limited to be used by a person with maximum weight of 350 pounds when fully equipped.

## **ASSEMBLY INSTRUCTION**

Climbers are manufactured in accordance to the ASTM F887 standard with height adjustment range of 13 1/5 inches (minimum) to 17 inches (maximum).

For maximum comfort, performance and safety, climber height must be adjusted prior to initial use.

Attach lower straps to the lower strap ring so that the buckle portion of strap is facing forward.

## **OPERATING INSTRUCTION**

Climbers should be worn with appropriate work footwear with sufficiently strong shanks in the sole portion of the boots.

If not installed, install lower foot straps with split ring.

Select right or left climber identified by markings on the cuff.

Step into the climber and attach lower strap securely to your footwear.

Pull the end of the strap tongue firmly through the buckle and secure.

Feed the free end of the upper Velcro strap through the cinch bar.

Pull the strap until the cuff is firmly resting against your shin.

Secure the free end around the cuff & leg, ensuring full connection of the hook to the loop.

# Product List

According to the configuration of the selected model “×” indicates none and “√” indicates yes

Picture				
Model:	climbing spikes X2PCS	Sit harnesses X1PCS	work positioning lanyards X1PCS	Bandage X2PCS
ROPE-G-003	√	×	×	√
ROPE-G-004	√	×	×	√
ROPE-G-006	√	√	√	√

# Product Description

## SIZE ADJUSTMENT (Fig 1)

Release the cuff pad from the cuff exposing two hardware screws.

Using a hex wrench release and remove the screws freeing the cuff to move up or down.

Using your standard footwear place the foot in the leg iron stirrup and secure the

lower leg straps around the foot.

Slide the cuff up or down along the leg iron until the upper edge of the cuff lies approximately 1 3/4 in (4.4cm) below the knee. Mark the designated height.

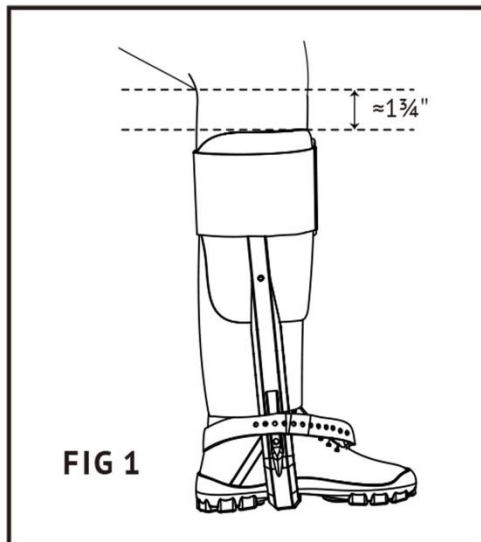
Holding the cuff in place install one of the screws, recheck the adjustment and install the second screw.

Reposition the cuff pad securely inside the cuff.

To check adjustment, bend knee in 90 deg angle, cuff should be as high as possible on the shin without interfering with the bending of the leg.

Repeat with second climber.

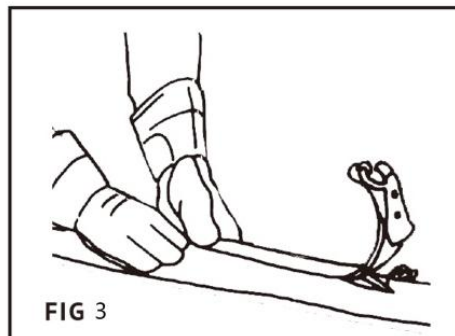
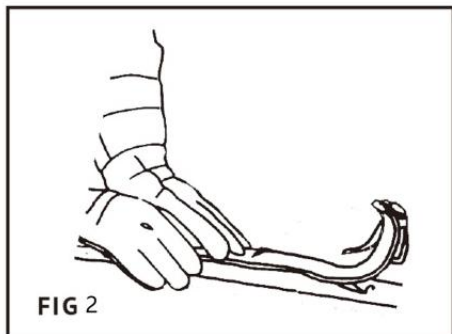
Do not bend, cut, drill or otherwise modify the climbers. Anyone altering this product assumes all risk of use.



### **PLANE TEST ACCORDING TO ASTM F887 (Fig 2 & 3)**

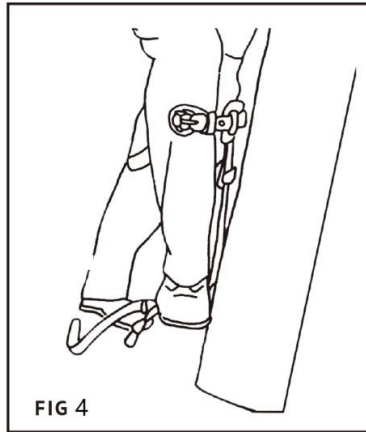
This test may be used to determine that the gaff is correctly shaped and sharpened to properly penetrate the pole. Place the climber on a flat, soft pine or cedar board. Holding it upright with the shank parallel to the board surface, but with no pressure on the stirrup, push the climber forward along the board as shown in figure below. If the gaff is properly shaped and sharpened and if the gaff angle with the wood is sufficient, the gaff point will dig into the wood and begin to

hold within a distance of approximately 1 in. (2.54 cm). If the climber gaff slides along the wood without digging in, or merely leaves a mark or groove in the wood as shown in figure below, the gaff is either not properly sharpened and shaped or the gaff angle is too small. The gaff angle is built into the climber by the manufacturer and should be between 11 and 17 degrees with the climber placed parallel to the surface of the wood.



#### **POLE CUT OUT TEST ACCORDING TO ASTM F887 (Fig 4 )**

This test shall be performed on a section of a treated pole in an area that is free from knots and checks. Place the climber on your leg holding the sleeve with your hand. With your leg at an approximate 30° angle to the pole and your foot about 12 in. (30.5 cm) off the ground. Lightly jab the gaff into the pole to a depth of approximately 1/4 in. (6.4 mm). Keep enough pressure on the stirrup to keep the gaff in the pole but not so much as to cause the gaff to penetrate any deeper. See figure below. Push the climber and your hand closer to the pole by moving your knee until the strap loop of the climber sleeve is against the pole. Make certain the strap loop is held against the pole with pressure from your leg. Gradually exert full pressure of your foot straight down on the stirrup without raising your other foot off the floor or ground, so as to maintain balance if the gaff does not hold. See figure below. The tip of the gaff shall cut into the wood and hold (dig itself in) in a distance of not more than 2 in. (5.1 cm), measured from the point of gaff entry into the pole to the bottom of the cut on the pole surface.



## **GAFF REPLACEMENT**

Prior to changing gaffs please completely read the instructions

### **REMOVAL**

Secure climber tightly into a vise (recommendation: wrap climber with protective material to prevent scratching) with gaff screw heads facing up.

Using a T40 bit or socket turn the gaff screw counterclockwise.

If the screw is too tight and unable to move, use a hair dryer to heat up the gaff.

Heating will aid in loosening the Loctite adhesive.

Remove both screws completely from the gaff.

## **INSTALLATION**

Locate new gaffs and hardware.

Mount the new gaffs **ONLY** using the 20mm & 25mm provided screws.

Use 20mm length for top hole and 25mm for bottom hole.

Using T40 bit or socket turn the gaff screw clockwise, do not over tighten.

If available use a torque wrench to set torque of 18.5 lb./ft.

## **MAINTENANCE TIP**

Tree sap is very corrosive, to prevent tip corrosion clean and oil gaffs after each use.

**Manufacturer:**Shanghaimuxinmuyeyouxiangongsi

**Address:** Shuangchenglu 803nong11hao1602A-1609shi, baoshanqu, shanghai 200000 CN.

**Imported to AUS:** SIHAO PTY LTD. 1 ROKEVA STREETEASTWOOD NSW 2122 Australia

**Imported to USA:** Sanven Technology Ltd. Suite 250, 9166 Anaheim Place, Rancho Cucamonga, CA 91730

<b>EC</b>	<b>REP</b>
-----------	------------

E-CrossStu GmbH

Mainzer Landstr.69, 60329 Frankfurt am Main.

<b>UK</b>	<b>REP</b>
-----------	------------

YH CONSULTING LIMITED.

C/O YH Consulting Limited Office 147, Centurion House,  
London Road, Staines-upon-Thames, Surrey, TW18 4AX

**VEVOR<sup>®</sup>**

**TOUGH TOOLS, HALF PRICE**

**Technical Support and E-Warranty Certificate**

**[www.vevor.com/support](http://www.vevor.com/support)**

# **VEVOR<sup>®</sup>**

## **TOUGH TOOLS, HALF PRICE**

Technisch Ondersteuning en e-garantiecertificaat [www.vevor.com/support](http://www.vevor.com/support)

# **BOOMKLIMSPIKES**

## **HANDLEIDING**

We continue to be committed to provide you tools with competitive price.

"Save Half", "Half Price" or any other similar expressions used by us only represents an estimate of savings you might benefit from buying certain tools with us compared to the major top brands and does not necessarily mean to cover all categories of tools offered by us. You are kindly reminded to verify carefully when you are placing an order with us if you are actually saving half in comparison with the top major brands.

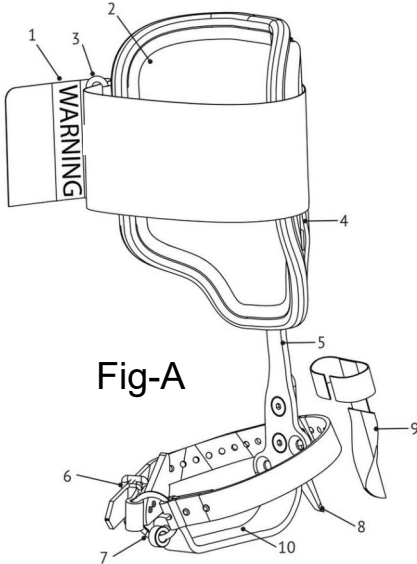


Fig-A

### NOMENCLATURE OF PARTS

- 1.Upper calf strap
- 2.Cuff pad with Velcro calf strap
- 3.Cinch bar
- 4.Adjustable cuff
- 5.Leg iron shank
- 6.Lower foot strap
- 7.Foot strap ring
- 8.Gaff with mounting screws
- 9.Gaff guard
- 10.Foot stirrup

### NEED HELP? CONTACT US!

Have product questions? Need technical support? Please feel free to contact us:

**Technical Support and E-Warranty Certificate**  
[www.vevor.com/support](http://www.vevor.com/support)

This is the original instruction, please read all manual instructions carefully before operating. VEVOR reserves a clear interpretation of our user manual. The appearance of the product shall be subject to the product you received. Please forgive us that we won't inform you again if there are any technology or software updates on our product.



## WAARSCHUWING:

Waarschuwing-Om het risico op letsel te verminderen, moet de gebruiker de handleiding zorgvuldig lezen.

HOUD ER REKENING MEE DAT! De tekeningen in deze handleiding zijn bedoeld voor alleen ter illustratie en in sommige details mogelijk afwijken van het daadwerkelijke product.

Lees deze handleiding zorgvuldig door voordat u het product gebruikt. Als u dit niet doet, kan dit leiden tot ernstig letsel. **BEWAAR DEZE HANDLEIDING**

# ALGEMENE INFORMATIE

Valbescherming levenslijnen			
Handelsmerk	<b>VEVOR</b> <sup>®</sup>	Referentiestandaarden	ASTM F887

"VEVOR. Tree Climbers is een verstelbaar beveiligingssysteem dat voldoet aan de norm ASTM F887.

Deze handleiding moet in zijn geheel worden gelezen en begrepen. Deze instructies zijn bedoeld om te voldoen aan de instructies van de fabrikant. De gebruiker moet het juiste gebruik en de beperkingen van de apparatuur volledig begrijpen.

## WAARSCHUWING!

Het niet in acht nemen van de volgende informatie kan het leven van de gebruiker in gevaar brengen! Lees vóór gebruik alle informatie zorgvuldig door. Voor het gebruik van klimsporen is een speciale training essentieel. Activiteiten op hoogte zijn gevaarlijk en kunnen leiden tot ernstig letsel of de dood. De gebruiker aanvaardt alle risico's en verantwoordelijkheid voor materiële schade, persoonlijk letsel of overlijden die kunnen optreden tijdens het gebruik van dit product. Als de gebruiker niet in staat of in de positie is om deze verantwoordelijkheid op zich te nemen of dit risico te nemen, gebruik dit product dan niet.

Deze informatie is bedoeld voor de gebruiker van de aangegeven producten. Als dit bij het product moet worden meegeleverd, dient u dit door de gebruiker te lezen en te begrijpen voordat u dit product in gebruik neemt. Deze apparatuur mag worden gebruikt door goed opgeleide, professionele werknemers.

De informatie in deze handleiding, demonstraties van de fabrikant, catalogusinformatie of ander promotiemateriaal kan deel uitmaken van een goede of volledige training in het gebruik van deze producten, maar vormt geen goede of volledige training.

De gebruiker moet deze apparatuur vóór elk gebruik inspecteren. Alle apparatuur die versleten, beschadigd, onderhevig aan schokbelasting of op enige wijze twijfelachtig blijkt te zijn, moet onmiddellijk buiten gebruik worden gesteld.

## **ALGEMENE INFORMATIE**

Alleen competente en verantwoordelijke personen of degenen die onder directe en visuele controle staan van een competente en verantwoordelijke persoon of instructeur mogen klimmers gebruiken. Het is aan de gebruiker om situaties te voorzien waarin mogelijk redding nodig is in geval van problemen die zich voordoen bij het gebruik van klimmers. Het verkrijgen van training in geschikte klimtechnieken en veiligheidsmethoden is de verantwoordelijkheid van de gebruiker. De gebruiker is verantwoordelijk voor het bevestigen dat dit product compatibel is met de andere componenten van het klimsysteem van de gebruiker. Het is niet gegarandeerd dat boomklimmers en gaffels veilig in hout blijven. Beperking bij een val kan alleen het gevolg zijn van actief gebruik van een veiligheidslijn en bovenleiding.

Laat de klimmers niet van hoogte vallen. Klimmers die van hoogte zijn gevallen, kunnen zichtbare of niet-zichtbare schade aan de bovenschaal hebben schacht, gaffels en bevestigingen. Klimmers die beschadigd of gevallen zijn, moeten op de juiste manier worden weggegooid. Volg alle relevante normen, veiligheidsinstructies en wetten die zijn uitgevaardigd door de bevoegde autoriteiten en beroepsverenigingen.

## TECHNISCHE SPECIFICATIES

Model	TOUW-G-003	TOUW-G-004	TOUW-K-006
hoofd materiaal	staal , leer	staal, leer	staal, leer
Kleur	bruin zwart	oranje , zwart	oranje , zwart
Productafmetingen (L * B * H)	21 0* 21 0* 4 50 mm	21 0* 21 0* 4 50 mm	21 0* 21 0* 4 50 mm
Verpakkingsgrootte (L * B * H)	480*205*140m m	480*205*140m m	480*205*180m m
Netto gewicht / kg)	2.8	2.8	4.3
Bruto gewicht (kg)	3.28	3.28	4.9
hoogteverstelling (in)	13,2"-17"	13,2"-17"	13,2"-17"
productshow	Afb . - A		

### GAFF-INSPECTIE

Klimmers (paal en boom) moeten over goed gevormde gaffels beschikken.

Voer vóór elke klim een gaffelinspectie uit.

### GAFF-SCHERPEN

Slijp gaffels nooit met elektrisch gereedschap, maar slijp gaffels alleen handmatig met een platte vijl.

Zet de klimmer stevig vast in een bankschroef (aanbeveling: wikkel de klimmer in beschermend materiaal om krassen te voorkomen) met de onderkant van de

gaffel bloot.

Gebruik een platte freesvijl van 15 cm langs het oppervlak van de gaffel, beginnend bij de hiel en richting de punt.

Geen kruisdossier indienen.

Houd vijlvet op de gaffel en maak de vijl regelmatig schoon.

Vijl de punt van de gaffel nooit naar de naaldpunt. Een niet goed geslepen gaffel kan een uitsnijding, een val en ernstig letsel of de dood tot gevolg hebben.

Wanneer u klaar bent, voert u de vlak- en paaluitsnijdingstest uit.

### **ELEKTRISCH GEVAAR!**

Gebruik het apparaat niet in de buurt van stroomkabels die onder spanning staan, aangezien deze klimmers geleidend zijn! Gebruik geen klimmers als er vervormingen zijn aan de schacht, gaffels of bevestigingen. Wanneer klimmers NIET IN GEBRUIK zijn, breng dan altijd gaffelbeschermers aan.

Dit product is ontworpen voor het beklimmen van houten palen en bomen en mag alleen worden gebruikt in combinatie met een harnas, vanglijn en bovengrondse levensondersteunende lijn.

### **TEMPERATUUR**

Gebruik dit product boven minimaal -15°C (5°F) en onder maximaal +50°C (122°F)

### **GEBRUIKERSGEWICHT**

Dit product mag uitsluitend worden gebruikt door een persoon met een maximaal gewicht van 350 pond, indien volledig uitgerust.

### **MONTAGE - INSTRUCTIES**

C- limmers worden vervaardigd in overeenstemming met de ASTM F887-standaard met een hoogteverstellingsbereik van 1 3 1/5 inch (minimaal) tot 17 inch (maximaal).

Voor maximaal comfort, prestaties en veiligheid moet de klimhoogte vóór het eerste gebruik worden aangepast.

Bevestig de onderste banden aan de onderste bandring, zodat het gespgedeelte van de band naar voren wijst.

## GEbruIKSAANWIJZING

Klimmers moeten worden gedragen met geschikt werkschoeisel met voldoende sterke schachten in het zoolgedeelte van de laarzen.

Indien niet geïnstalleerd, installeer dan de onderste voetriemen met splistring.

Selecteer de rechter of linker klimmer, geïdentificeerd door markeringen op de manchet.

Stap in de klimmer en bevestig de onderste riem stevig aan uw schoenen.

Trek het uiteinde van de riemtong stevig door de gesp en zet deze vast.

Voer het vrije uiteinde van de bovenste klittenband door de trekstang.

Trek aan de riem totdat de manchet stevig tegen uw scheenbeen rust.

Bevestig het vrije uiteinde rond de manchet en het been en zorg ervoor dat de haak volledig aan de lus is bevestigd.

## Product lijst

Volgens de configuratie van het geselecteerde model betekent “ × ” geen en “ √ ” ja

Afbeelding				
Model:	klimpieken X2 STUKS	Zit harnessen X1 STUKS	vanglijnen voor werkpositionering X1 STUKS	Verband X2 STUKS
TOUW-G-00 3	√	×	×	√

TOUW-G-00 4	√	×	×	√
TOUW-G-00 6	√	√	√	√

## **Productomschrijving**

---

### **MAATAANPASSING (Fig. 1)**

Maak het manchetkussen los van de manchet, waardoor twee hardwareschroeven zichtbaar worden.

Gebruik een inbussleutel om de schroeven los te maken en de manchet vrij te maken om omhoog of omlaag te bewegen.

Gebruik uw standaard schoeisel en plaats de voet in de beenijzeren stijgbeugel en maak de onderbeenriemen rond de voet vast.

Schuif de manchet omhoog of omlaag langs het beenijzer totdat de bovenrand van de manchet ongeveer 4,4 cm (1 3/4 inch ) onder de knie ligt. Markeer de aangegeven hoogte.

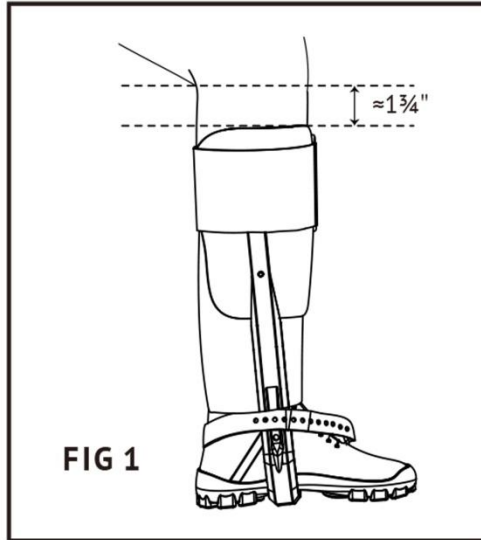
Houd de manchet op zijn plaats, installeer een van de schroeven, controleer de afstelling opnieuw en installeer de tweede schroef.

Plaats het manchetkussentje weer veilig in de manchet.

Om de afstelling te controleren, buigt u de knie in een hoek van 90 graden. De manchet moet zo hoog mogelijk op het scheenbeen zitten zonder de buiging van het been te belemmeren.

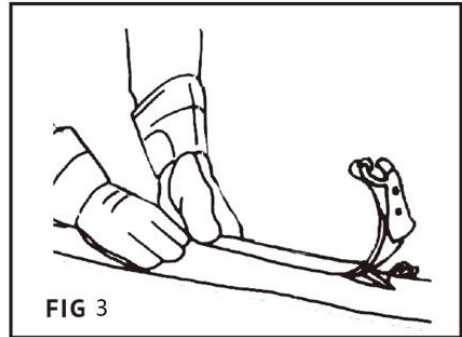
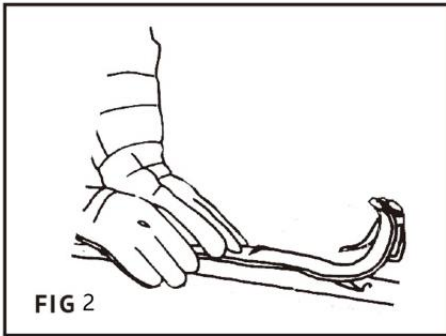
Herhaal met de tweede klimmer.

Buig, snij, boor of modificeer de klimmers niet. Iedereen die dit product wijzigt, aanvaardt alle gebruiksrisico's.



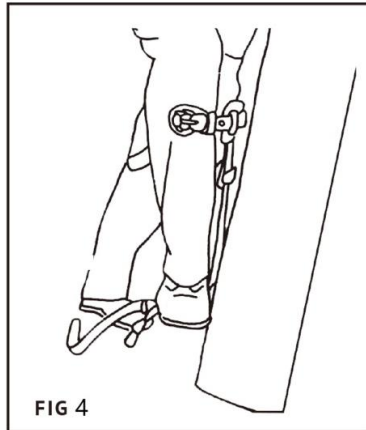
### **VLIEGTEST VOLGENS ASTM F887 (Fig. 2 & 3 )**

Deze test kan worden gebruikt om te bepalen of de gaffel correct is gevormd en geslepen om goed door de hengel te dringen. Plaats de klimmer op een vlakke, zachte grenen- of cederhouten plank. Houd hem rechtop met de schacht evenwijdig aan het plankoppervlak, maar zonder druk op de stijgbeugel, en duw de klimmer naar voren langs de plank, zoals weergegeven in onderstaande afbeelding. Als de gaffel op de juiste manier is gevormd en geslepen en als de gaffelhoek met het hout voldoende is, zal de gaffelpunt zich in het hout graven en beginnen vast te houden binnen een afstand van ongeveer 2,54 cm (1 inch). Als de gaffel van de klimmer langs het hout glijdt zonder zich in te graven, of slechts een markering of groef in het hout achterlaat, zoals weergegeven in onderstaande afbeelding, is de gaffel niet goed geslepen en gevormd, of is de gaffelhoek te klein. De gaffelhoek is door de fabrikant in de klimmer ingebouwd en moet tussen 11 en 17 graden liggen, waarbij de klimmer evenwijdig aan het oppervlak van het hout wordt geplaatst.



### **POOL UITSNIJDTEST VOLGENS ASTM F887 (Fig. 4 )**

Deze test moet worden uitgevoerd op een gedeelte van een behandelde paal in een gebied dat vrij is van knopen en scheuren. Plaats de klimmer op uw been en houd de hoes met uw hand vast. Met uw been in een hoek van ongeveer 30° ten opzichte van de paal en uw voet ongeveer 30,5 cm (12 inch) van de grond. Steek de gaffel lichtjes in de paal tot een diepte van ongeveer 1/4 inch (6,4 mm). Houd voldoende druk op de stijgbeugel om de gaffel in de paal te houden, maar niet zoveel dat de gaffel dieper doordringt. Zie onderstaande figuur. Duw de klimmer en je hand dicht bij de paal door je knie te bewegen totdat de riemlus van de klimhuls tegen de paal ligt. Zorg ervoor dat de lus van de riem tegen de paal wordt gehouden met druk van uw been. Oefen geleidelijk de volledige druk van uw voet recht naar beneden uit op de stijgbeugel, zonder uw andere voet van de vloer of de grond te halen, om het evenwicht te bewaren als de gaffel niet houdt. Zie onderstaande figuur. De punt van de gaffel moet in het hout snijden en zichzelf vasthouden (ingraven) op een afstand van niet meer dan 5,1 cm (2 inch), gemeten vanaf het punt waar de gaffel de paal binnengaat tot de onderkant van de snede op de paal. paal oppervlak.



## **GAFF VERVANGING**

Lees de instructies volledig door voordat u de gaffel vervangt

### **VERWIJDERING**

Zet de klimmer stevig vast in een bankschroef (aanbeveling: wikkel de klimmer in beschermend materiaal om krassen te voorkomen) met de gaffelschroefkoppen naar boven gericht.

Met behulp van een T40-bit of -dop draai de gaffelschroef tegen de klok in.

Als de schroef te strak zit en niet kan bewegen, gebruik dan een föhn om de gaffel op te warmen. Verwarming zal helpen bij het losmaken van de Loctite-lijm.

Verwijder beide schroeven volledig uit de gaffel.

## **INSTALLATIE**

Zoek naar nieuwe gaffels en hardware.

Monteer de nieuwe gaffels ALLEEN met de meegeleverde 20 mm en 25 mm schroeven.

Gebruik een lengte van 20 mm voor het bovenste gat en 25 mm voor het onderste gat.

Gebruik een T40-bit of -dop en draai de gaffelschroef met de klok mee, doe dat niet over vastdraaien.

Gebruik, indien beschikbaar, een momentsleutel om het koppel in te stellen op 18,5 lb./ft.

## **ONDERHOUDSTIP**

Boomsap is zeer corrosief, om corrosie van de punt te voorkomen en oliegeffels na elk gebruik te voorkomen.

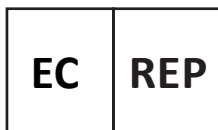
**Fabrikant :** Shanghaimuxinmuyeyouxiangongsi

**Adres:** Shuangchenglu 803nong11hao1602A-1609shi, baoshanqu, shanghai 200000 CN.

**Geïmporteerd naar AUS:** SIHAO PTY LTD. 1 ROKEVA  
STREETEASTWOOD NSW 2122 Australië

**Geïmporteerd in de VS:** Sanven Technology Ltd. Suite 250, 9166  
Anaheim

Plaats, Rancho Cucamonga, CA 91730



E-CrossStu GmbH

Mainzer Landstr.69, 60329 Frankfurt am Main.



YH CONSULTING LIMITED.

C/O YH Consulting Limited Office 147, Centurion House,  
London Road, Staines-upon-Thames, Surrey, TW18 4AX

**VEVOR**<sup>®</sup>

**TOUGH TOOLS, HALF PRICE**

**Technisch Ondersteuning en e-garantiecertificaat**

**[www.vevor.com/support](http://www.vevor.com/support)**

# **VEVOR®**

**TOUGH TOOLS, HALF PRICE**

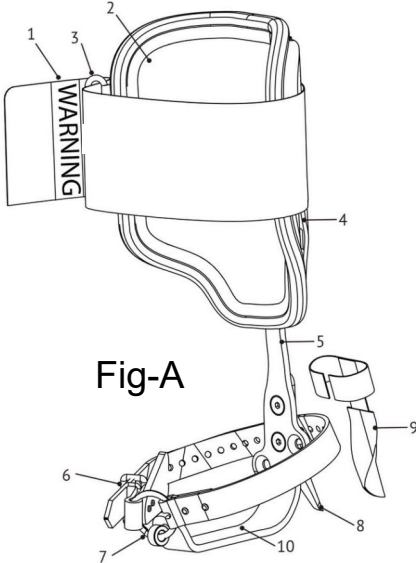
Teknisk Support och e-garanticertifikat [www.vevor.com/support](http://www.vevor.com/support)

## **TRÄDKLÄTTRANDE SPIKAR**

### **ANVÄNDARMANUAL**

We continue to be committed to provide you tools with competitive price.

"Save Half", "Half Price" or any other similar expressions used by us only represents an estimate of savings you might benefit from buying certain tools with us compared to the major top brands and does not necessarily mean to cover all categories of tools offered by us. You are kindly reminded to verify carefully when you are placing an order with us if you are actually saving half in comparison with the top major brands.



### NOMENCLATURE OF PARTS

- 1.Upper calf strap
- 2.Cuff pad with Velcro calf strap
- 3.Cinch bar
- 4.Adjustable cuff
- 5.Leg iron shank
- 6.Lower foot strap
- 7.Foot strap ring
- 8.Gaff with mounting screws
- 9.Gaff guard
- 10.Foot stirrup

### NEED HELP? CONTACT US!

Have product questions? Need technical support? Please feel free to contact us:

**Technical Support and E-Warranty Certificate**  
[www.vevor.com/support](http://www.vevor.com/support)

This is the original instruction, please read all manual instructions carefully before operating. VEVOR reserves a clear interpretation of our user manual. The appearance of the product shall be subject to the product you received. Please forgive us that we won't inform you again if there are any technology or software updates on our product.



## **VARNING:**

Varning - För att minska risken för skada måste användaren läsa instruktionerna noggrant.

VÄNLIGEN NOTERA! Ritningar i denna handbok är till för endast i illustrationssyfte och i vissa detaljer kan skilja sig från den faktiska produkten.

Läs denna bruksanvisning noggrant innan du använder produkten. Underlåtenhet att göra det kan leda till allvarliga skador. SPARA DENNA MANUAL

# **ALLMÄN INFORMATION**

## Fallskydd livlinor

Varumärke	<b>VEVOR</b> <sup>®</sup>	Referensstandarder	ASTM F887
-----------	---------------------------	--------------------	-----------

"VEVOR. Tree Climbers är en justerbar fasthållningsanordning som överensstämmer med standard ASTM F887.

Denna manual måste läsas och förstås i sin helhet. Dessa instruktioner är avsedda att uppfylla tillverkarens instruktioner. Användaren måste till fullo förstå den korrekta utrustningens användning och begränsningar.

## **VARNING!**

Underlåtenhet att följa följande information kan äventyra användarens liv! Läs all information noggrant före användning. Särskild träning är nödvändig innan du använder klättersporrar. Aktiviteter på höjden är farliga och kan leda till allvarliga skador eller dödsfall. Användaren tar på sig alla risker och ansvar för egendomsskador, personskador eller dödsfall som kan uppstå under användning av denna produkt. Om användaren inte kan eller har möjlighet att ta detta ansvar eller ta denna risk, använd inte denna produkt.

Denna information är avsedd för användaren av de angivna produkterna. Om måste inkluderas med produkten, läs och förstås av användaren innan denna

produkt tas i bruk. Denna utrustning ska användas av korrekt utbildade, professionella arbetare.

Informationen i denna handbok, tillverkarens demonstrationer, kataloginformation eller annat reklammaterial kan vara en del av men utgör inte korrekt eller fullständig utbildning i användningen av dessa produkter.

Användaren måste inspektera denna utrustning före varje användning. All utrustning som upptäcks vara utsliten, skadad, utsatt för stöbelastning eller på något sätt tveksam måste omedelbart tas ur bruk.

## **ALLMÄN INFORMATION**

Endast kompetenta och ansvariga personer eller de som placeras under direkt och visuell kontroll av en kompetent och ansvarig person eller instruktör bör använda klättrare. Det är upp till användaren att förutse situationer som kan kräva räddning i händelse av svårigheter vid användning av klättrare. Att få utbildning i lämpliga klättertekniker och säkerhetsmetoder är användarens ansvar. Användaren ansvarar för att bekräfta att denna produkt är kompatibel med de andra komponenterna i användarens klättringssystem. Trädklättrare och klättrare är inte garanterade att hålla sig säkert i trä. Återhållsamhet från ett fall kan endast vara resultatet av aktiv användning av en säkerhetslina och luftledning.

Tappa inte klättrarna från höjden. Klättrare som har fallit från höjd kan ha synliga eller osynliga skador på det övre skalet, skaft, gafflar och fästen. Klättrare som är skadade eller tappade ska kasseras på rätt sätt. Följ alla relevanta standarder , säkerhetsinstruktioner och lagar som tillämpas av lämpliga myndigheter och yrkesorganisationer .

# TEKNISKA SPECIFIKATIONER

Modell	ROPE-G-003	ROPE-G-004	ROPE-K-006
huvudmaterial	stål , läder	stål, läder	stål, läder
Färg	brun svart	orange , svart	orange , svart
Produktens mått (L * B * H)	21 0* 21 0* 4 50 mm	21 0* 21 0* 4 50 mm	21 0* 21 0* 4 50 mm
Förpackningsstorle k (L * B * H)	480*205*140m m	480*205*140m m	480*205*180m m
Nettovikt (kg)	2.8	2.8	4.3
Bruttovikt (kg)	3,28	3,28	4.9
höjdjustering (in)	13,2"-17"	13,2"-17"	13,2"-17"
Produktutställning	Fig - A		

## GAFF INSPEKTION

Klätrare (stolpe och träd) måste ha rätt formade gaffel.

Utför gaffinspektion före varje klättring.

## GAFF SLIPNING

Slipa aldrig gaffarna med ett motordrivet verktyg, slipa endast gaffarna manuellt med en platt fil.

Fäst klättraren ordentligt i ett skruvstöd (rekommendation: linda klättraren med skyddsmaterial för att förhindra repor) med gaffelundersidan exponerad.

Använd en 6-tums platt kvarnfil längs gaffens yta med början vid hälen och dra mot spetsen.

Korsfila inte.

Håll filfett på gaffeln och ren fil ofta.

Fila aldrig gaffelspetsen till nålspetsen. En felaktigt slipad gaffel kan orsaka utskärningar, fall och allvarliga skador eller dödsfall.

När du är klar utför plane & pole Cut Out Test.

## ELEKTRISK FARA!

Använd inte i närheten av strömförande kraftledningar, eftersom dessa klättrare är ledande! Använd inte klättrare om det finns deformationer av skaftet, gaffarna eller fästena. När klättrare INTE ANVÄNDS, använd alltid gaffskydd.

Denna produkt är designad för att klättra i trästolpar och träd och får endast användas tillsammans med sele, snöre och överliggande livstödslina.

## **TEMPERATUR**

Använd denna produkt över ett minimum av  $-15^{\circ}\text{C}$  ( $5^{\circ}\text{F}$ ) och under ett maximum av  $+50^{\circ}\text{C}$  ( $122^{\circ}\text{F}$ )

## **ANVÄNDARVIKT**

Denna produkt är begränsad till att användas av en person med en maximal vikt på 350 pund när den är fullt utrustad.

## **MONTERINGSANVISNING**

C limbers tillverkas i enlighet med ASTM F887 - standarden med höjjusteringsområde på 1 3 1/5 tum (minst) till 17 tum (maximalt).

För maximal komfort, prestanda och säkerhet måste klättrarens höjd justeras före första användningen.

Fäst de nedre remmarna på den nedre remringen så att spändelen av remmen är vänd framåt.

## **DRIFTSINSTRUKTION**

Klättrare bör bäras med lämpliga arbetsskor med tillräckligt starka skaft i sulpartiet av stövlarna.

Om den inte är installerad, installera nedre fotremmar med delad ring.

Välj höger eller vänster klättrare identifierad av markeringar på manschetten.

Kliv in i klättraren och fäst den nedre remmen säkert på dina skor.

Dra änden av remmens tunga ordentligt genom spännet och fäst.

Mata den fria änden av det övre kardborrebandet genom cinch-stången.

Dra i remmen tills manschetten vilar stadigt mot ditt smalben.

Fäst den fria änden runt manschetten och benet, och säkerställ att kroken är helt ansluten till öglan.

## Produktlista

Enligt konfigurationen av den valda modellen indikerar " × " ingen och " ✓ " indikerar ja

Bild				
Modell:	klättring av spikar X2st	Sittselar X1st	arbetspositionslin or X1st	Bandage X2st
ROPE-G-00 3	✓	×	×	✓
ROPE-G-00 4	✓	×	×	✓
ROPE-G-00 6	✓	✓	✓	✓

## Produktbeskrivning

### STORLEKSJUSTERING (Fig 1)

Lossa manschettdynan från manschetten och exponerar två hårdvaruskruvar.

Använd en insexnyckel för att lossa och ta bort skruvarna som gör att manschetten kan röra sig uppåt eller nedåt.

Använd dina vanliga skor och placera foten i järnbygeln och fäst

underbensremmarna runt foten.

Skjut manschetten uppåt eller nedåt längs benjärnet tills den övre kanten av manschetten ligger cirka 4,4 cm under knät. Markera den angivna höjden.

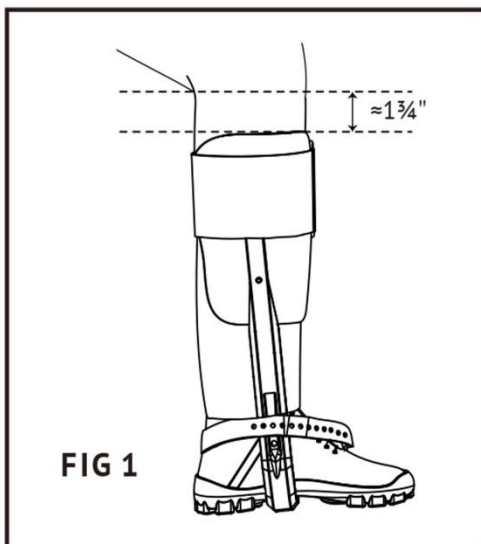
Håll manschetten på plats, montera en av skruvarna, kontrollera justeringen igen och installera den andra skruven.

Placera tillbaka manschettdynan säkert inuti manschetten.

För att kontrollera justeringen, böj knä i 90 graders vinkel, manschetten ska vara så hög som möjligt på smalbenet utan att störa benets böjning.

Upprepa med andra klättraren.

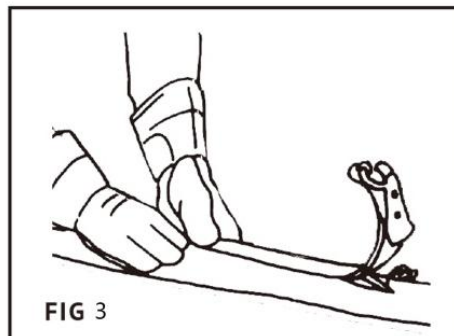
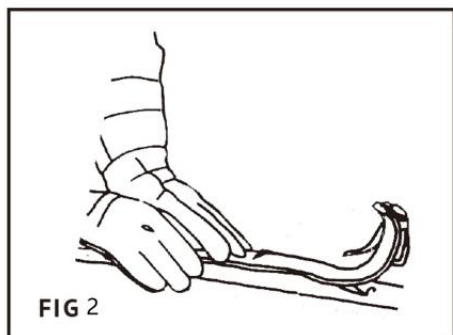
Böj inte, skär, borra eller på annat sätt modifiera klättrarna. Den som ändrar denna produkt påtar sig all risk för användning.



### **PLANTEST ENLIGT ASTM F887 (Fig 2 & 3)**

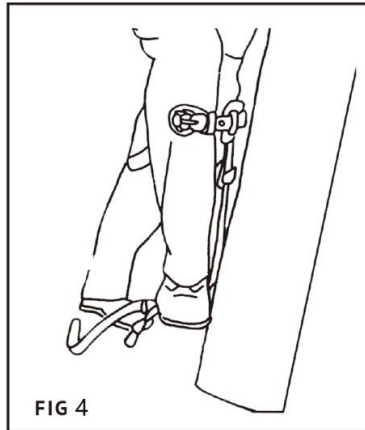
Detta test kan användas för att fastställa att gaffeln är korrekt formad och slipad för att korrekt penetrera stolpen. Placera klättraren på en platt, mjuk tall eller cederträ. Håll den upprätt med skaftet parallellt med brädets yta, men utan tryck på stigbygeln, skjut klättraren framåt längs brädet som visas i figuren nedan. Om gaffeln är rätt formad och slipad och om gaffelvinkeln mot träet är tillräcklig, kommer gaffspetsen att gräva sig in i träet och börja hålla sig inom ett avstånd av

cirka 1 tum (2,54 cm). Om klättrargaffeln glider längs med träet utan att gräva i, eller bara lämnar ett märke eller spår i träet som visas i figuren nedan, är gaffeln antingen inte ordentligt slipad och formad eller så är gaffelvinkeln för liten. Gaffelvinkeln är inbyggd i klättraren av tillverkaren och bör vara mellan 11 och 17 grader med klättraren placerad parallellt med trädets yta.



#### **TEST Utskärning enligt ASTM F887 (Fig 4 )**

Denna provning ska utföras på en sektion av en behandlad stolpe i ett område som är fritt från knutar och kontroller. Placera klättraren på benet och håll i armen med handen. Med benet i en ungefärlig 30° vinkel mot stängan och din fot cirka 30,5 cm från marken. Stick lätt in gaffeln i stängan till ett djup av cirka 1/4 tum (6,4 mm). Håll tillräckligt med tryck på stigbygeln för att hålla gaffeln i stängan men inte så mycket att gaffeln tränger ner djupare. Se figur nedan. Skjut klättraren och din hand närmare stängan genom att flytta ditt knä tills klättrarens remögla ligger mot stängan. Se till att remögla hålls mot stängan med tryck från benet. Utöva gradvis fullt tryck med foten rakt ner på stigbygeln utan att höja den andra foten från golvet eller marken, för att bibehålla balansen om gaffeln inte håller. Se figur nedan. Gaffans spets ska skära in i träet och hålla (gräva in sig) på ett avstånd av högst 2 tum (5,1 cm), mätt från punkten där gaffeln kommer in i stolpen till botten av snittet på stolpytan.



## **GAFF ERSÄTTNING**

Innan du byter gaffel, läs instruktionerna fullständigt

### **BORTTAGNING**

Fäst klättraren ordentligt i ett skruvstöd (rekommendation: linda klättraren med skyddsmaterial för att förhindra repor) med gaffskruvshuvudena uppåt.

Använder en T40-bitsbit eller socket vrid gaffelskruven moturs.

Om skruven är för åtdragen och inte kan röra sig, använd en hårtork för att värma upp gaffeln. Uppvärmning hjälper till att lossa Loctite-limmet.

Ta bort båda skruvarna helt från gaffeln.

## **INSTALLATION**

Hitta nya gafflar och hårdvara.

Montera ENDAST de nya gaffarna med de medföljande 20 mm och 25 mm skruvarna.

Använd 20 mm längd för det övre hålet och 25 mm för det nedre hålet.

Vrid gaffelskruven medurs med T40-bits eller hylsa, gör det inte över spänna.

Om tillgängligt, använd en momentnyckel för att ställa in ett vridmoment på 18,5 lb./ft.

## **UNDERHÅLLSTIPS**

Trädsav är mycket frätande, för att förhindra spetskorrosion ren och olja gaffs efter varje användning.

**Tillverkare :** Shanghaimuxinmuyeyouxiangongsi

**Adress:** Shuangchenglu 803nong11hao1602A-1609shi, baoshanqu, shanghai 200000 CN.

**Importerad till AUS:** SIHAO PTY LTD. 1 ROKEVA STREETEASTWOOD NSW 2122 Australien

**Importerad till USA:** Sanven Technology Ltd. Suite 250, 9166 Anaheim Place, Rancho Cucamonga, CA 91730

<b>EC</b>	<b>REP</b>
-----------	------------

E-CrossStu GmbH

Mainzer Landstr.69, 60329 Frankfurt am Main.

<b>UK</b>	<b>REP</b>
-----------	------------

YH CONSULTING LIMITED.

C/O YH Consulting Limited Office 147, Centurion House,  
London Road, Staines-upon-Thames, Surrey, TW18 4AX

**VEVOR**<sup>®</sup>

**TOUGH TOOLS, HALF PRICE**

**Teknisk Support och e-garanticertifikat**

**[www.vevor.com/support](http://www.vevor.com/support)**

# **VEVOR®**

**TOUGH TOOLS, HALF PRICE**

Técnico Soporte y certificado de garantía electrónica [www.vevor.com/support](http://www.vevor.com/support)

## **PICOS PARA TREPANAR ÁRBOLES**

### **MANUAL DE USUARIO**

We continue to be committed to provide you tools with competitive price.

"Save Half", "Half Price" or any other similar expressions used by us only represents an estimate of savings you might benefit from buying certain tools with us compared to the major top brands and does not necessarily mean to cover all categories of tools offered by us. You are kindly reminded to verify carefully when you are placing an order with us if you are actually saving half in comparison with the top major brands.

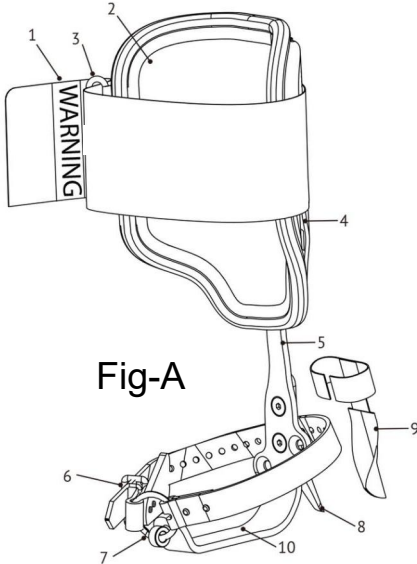


Fig-A

### NOMENCLATURE OF PARTS

- 1.Upper calf strap
- 2.Cuff pad with Velcro calf strap
- 3.Cinch bar
- 4.Adjustable cuff
- 5.Leg iron shank
- 6.Lower foot strap
- 7.Foot strap ring
- 8.Gaff with mounting screws
- 9.Gaff guard
- 10.Foot stirrup

### NEED HELP? CONTACT US!

Have product questions? Need technical support? Please feel free to contact us:

**Technical Support and E-Warranty Certificate**  
[www.vevor.com/support](http://www.vevor.com/support)

This is the original instruction, please read all manual instructions carefully before operating. VEVOR reserves a clear interpretation of our user manual. The appearance of the product shall be subject to the product you received. Please forgive us that we won't inform you again if there are any technology or software updates on our product.



## ADVERTENCIA:

Advertencia: para reducir el riesgo de lesiones, el usuario debe leer atentamente el manual de instrucciones.

¡TENGA EN CUENTA! Los dibujos de este manual son para Sólo con fines ilustrativos y en algunos detalles puede difieren del producto real.

Lea atentamente este manual antes de utilizar el producto. De lo contrario, podrían producirse lesiones graves. **GUARDE ESTE MANUAL**

# INFORMACIÓN GENERAL

Líneas de vida de protección contra caídas			
Marca comercial	<b>VEVOR</b> <sup>®</sup> TOUGH TOOLS, HALF PRICE	Estándares de referencia	Norma ASTM F887

"VEVOR. T ree Climbers " es un dispositivo de sujeción ajustable que cumple con la norma ASTM F887.

Este manual debe leerse y comprenderse en su totalidad. Estas instrucciones están destinadas a cumplir con las instrucciones del fabricante. El usuario debe comprender completamente el uso adecuado y las limitaciones del equipo.

## ¡ADVERTENCIA!

¡El incumplimiento de la siguiente información podría poner en peligro la vida del usuario! Lea toda la información atentamente antes de usar. Es esencial una formación especial antes de utilizar espuelas de escalada. Las actividades en altura son peligrosas y pueden provocar lesiones graves o la muerte. El usuario asume todos los riesgos y responsabilidad por daños a la propiedad, lesiones personales o muerte que puedan ocurrir durante el uso de este producto. Si el usuario no puede o no está en condiciones de asumir esta responsabilidad o correr este riesgo, no utilice este producto.

Esta información está destinada al usuario de los productos indicados. Debe

incluirse con el producto, ser leído y comprendido por el usuario antes de poner este producto en servicio. Este equipo debe ser utilizado por trabajadores profesionales debidamente capacitados.

La información de este manual, las demostraciones del fabricante, La información del catálogo u otros materiales promocionales pueden ser parte de, pero no constituyen, una capacitación adecuada o completa en el uso de estos productos.

El usuario debe inspeccionar este equipo antes de cada uso. Cualquier equipo que esté desgastado, dañado, sujeto a cargas de impacto o de cualquier forma cuestionable debe retirarse inmediatamente del servicio.

## **INFORMACIÓN GENERAL**

Sólo personas competentes y responsables o aquellas colocadas bajo control directo y visual de una persona o instructor competente y responsable deberían utilizar escaladores. Corresponde al usuario prever situaciones que puedan requerir rescate en caso de dificultades encontradas durante el uso de los escaladores. Obtener capacitación en técnicas de escalada apropiadas y métodos de seguridad es responsabilidad del usuario. El usuario es responsable de confirmar que este producto es compatible con los demás componentes del sistema de escalada del usuario. No se garantiza que los escaladores de árboles y los garfios se mantengan seguros dentro de la madera. La prevención de una caída sólo puede resultar del uso activo de una cuerda de seguridad y una línea aérea.

No deje caer a los escaladores desde una altura. Los escaladores que han caído desde una altura pueden tener daños visibles o no visibles en la capa superior, el mango, garfios y montajes. Las trepadoras que sufran daños o se caigan deben eliminarse adecuadamente. Siga todas las normas, instrucciones de seguridad y leyes pertinentes emitidas por las autoridades y asociaciones profesionales correspondientes.

## ESPECIFICACIONES TÉCNICAS

Modelo	CUERDA-G-003	CUERDA-G-004	CUERDA-K-006
material principal	acero , cuero	acero, cuero	acero, cuero
Color	marrón , negro	naranja , negro	naranja , negro
Dimensiones del producto (largo * ancho * alto)	21 0* 21 0* 4 50mm	21 0* 21 0* 4 50mm	21 0* 21 0* 4 50mm
Tamaño del embalaje (largo * ancho * alto)	480*205*140mm	480*205*140mm	480*205*180mm
Peso neto / kg)	2.8	2.8	4.3
Peso bruto (kg)	3.28	3.28	4.9
ajuste de altura (pulg.)	13,2"-17"	13,2"-17"	13,2"-17"
presentacion de producto	Higo - A		

### INSPECCIÓN DE GAFF

Los escaladores (poste y árbol) deben tener garfios con la forma adecuada. Realice una inspección del garfio antes de cada ascenso.

### AFILADO DE GAFF

Nunca afile los garfios con una herramienta eléctrica, solo afile manualmente los

garfios con una lima plana.

Asegure el escalador firmemente en un tornillo de banco (recomendación: envuelva el escalador con material protector para evitar rayones) con la parte inferior del garfio expuesta.

Utilice una lima plana de 6 pulgadas a lo largo de la superficie del garfio comenzando en el talón y avanzando hacia la punta.

No realice archivos cruzados.

Mantenga la lima en el garfio y límpiela con frecuencia.

Nunca limar la punta del garfio para bordar. Un garfio mal afilado puede provocar cortes, caídas y lesiones graves o la muerte.

Cuando haya terminado, realice la prueba de corte de plano y poste.

### **¡PELIGRO DE ELECTRICIDAD!**

¡No lo utilice cerca de líneas eléctricas energizadas, ya que estos escaladores son conductores! No utilice trepadores si hay deformaciones en el mango, garfios o montajes. Cuando los escaladores NO estén EN USO, aplique siempre protectores de garfios.

Este producto está diseñado para trepar postes de madera y árboles y solo debe usarse junto con un arnés, una cuerda y una línea aérea de soporte vital.

### **TEMPERATURA**

Utilice este producto por encima de un mínimo de -15 °C (5 °F) y por debajo de un máximo de +50 °C (122 °F)

### **PESO DEL USUARIO**

Este producto está limitado a ser utilizado por una persona con un peso máximo de 350 libras cuando esté completamente equipado.

### **INSTRUCCIONES DE ENSAMBLAJE**

Los escaladores se fabrican de acuerdo con la norma ASTM F887 con un rango de ajuste de altura de 1 3 1/5 pulgadas (mínimo) a 17 pulgadas (máximo).

Para obtener el máximo confort, rendimiento y seguridad, la altura del escalador debe ajustarse antes del uso inicial.

Conecte las correas inferiores al anillo de la correa inferior de modo que la parte de la hebilla de la correa quede hacia adelante.

## INSTRUCCIONES DE OPERACION

Los escaladores deben llevar calzado de trabajo apropiado con cañas suficientemente fuertes en la parte de la suela de las botas.

Si no están instaladas, instale las correas inferiores para los pies con anillo dividido.

Seleccione escalador derecho o izquierdo identificado por marcas en el puño.

Entre en el escalador y sujete la correa inferior de forma segura a su calzado.

Tire firmemente del extremo de la lengüeta de la correa a través de la hebilla y asegúrela.

Pase el extremo libre de la correa de velcro superior a través de la barra de cincha.

Tire de la correa hasta que el brazaletes descansen firmemente contra su espinilla.

Asegure el extremo libre alrededor del puño y la pierna, asegurando una conexión completa del gancho al bucle.

## Lista de productos

Según la configuración del modelo seleccionado “ × ” indica ninguno y “ √ ” indica sí

Imagen				
Modelo:	picos de escalada	Arneses para sentarse	cordones de posicionamiento	Vendaje X2PCS

	X2PCS	X1 Uds.	en el trabajo X1 Uds.	
CUERDA-G-00 3	√	×	×	√
CUERDA-G-00 4	√	×	×	√
CUERDA-G-00 6	√	√	√	√

## **Descripción del Producto**

### **AJUSTE DE TAMAÑO (Fig. 1)**

Suelte la almohadilla del brazaletes dejando al descubierto dos tornillos de hardware.

Con una llave hexagonal, suelte y retire los tornillos, liberando el manguito para moverse hacia arriba o hacia abajo.

Usando su calzado estándar, coloque el pie en el estribo de hierro para piernas y asegure las correas de la parte inferior de la pierna alrededor del pie.

Deslice el brazaletes hacia arriba o hacia abajo a lo largo de la plancha para piernas hasta que el borde superior del brazaletes quede aproximadamente 1 3/4 pulgadas (4,4 cm) debajo de la rodilla. Marque la altura designada.

Sosteniendo el manguito en su lugar, instale uno de los tornillos, vuelva a verificar el ajuste e instale el segundo tornillo.

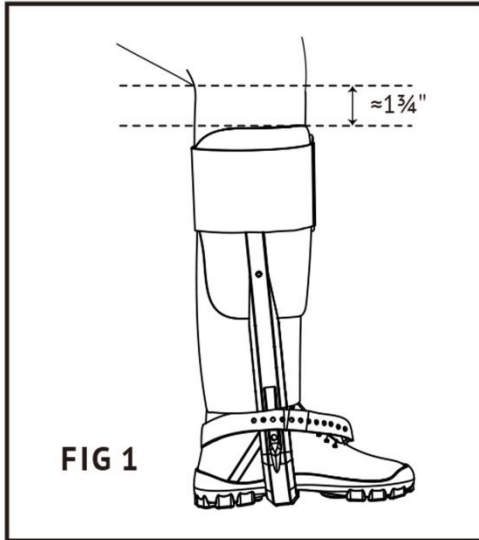
Vuelva a colocar la almohadilla del manguito de forma segura dentro del manguito.

Para verificar el ajuste, doble la rodilla en un ángulo de 90 grados; el manguito debe estar lo más alto posible en la espinilla sin interferir con la flexión de la pierna.

Repita con el segundo escalador.

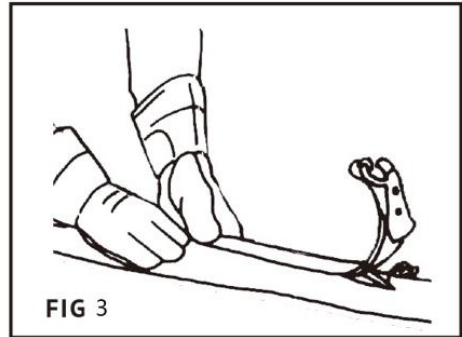
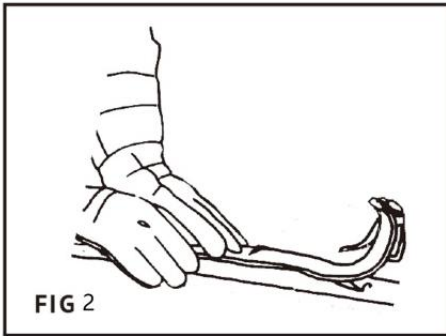
No doble, corte, taladre ni modifique de ningún otro modo los escaladores.

Cualquier persona que altere este producto asume todos los riesgos de uso.



### PRUEBA DE PLANO SEGÚN ASTM F887 (Fig. 2 y 3 )

Esta prueba se puede utilizar para determinar que el garfio tiene la forma y el afilado correctos para penetrar adecuadamente en el poste. Coloque el escalador sobre una tabla plana y suave de pino o cedro. Sosteniéndolo en posición vertical con el vástago paralelo a la superficie de la tabla, pero sin presionar el estribo, empuje al escalador hacia adelante a lo largo de la tabla como se muestra en la figura siguiente. Si el garfio tiene la forma y el afilado adecuados y si el ángulo del garfio con la madera es suficiente, la punta del garfio se clavará en la madera y comenzará a sostenerse a una distancia de aproximadamente 1 pulgada (2,54 cm). Si el garfio de escalador se desliza a lo largo de la madera sin excavar, o simplemente deja una marca o ranura en la madera como se muestra en la figura a continuación, el garfio no está afilado ni moldeado adecuadamente o el ángulo del garfio es demasiado pequeño. El fabricante incorpora el ángulo del garfio en el escalador y debe estar entre 11 y 17 grados con el escalador colocado paralelo a la superficie de la madera.



### **PRUEBA DE CORTE DE POSTE SEGÚN ASTM F887 (Fig. 4 )**

Esta prueba se realizará en una sección de un poste tratado en una zona libre de nudos y grietas. Coloca el escalador sobre tu pierna sujetando la manga con la mano. Con la pierna en un ángulo aproximado de 30° con respecto al poste y el pie a aproximadamente 30,5 cm (12 pulgadas) del suelo. Introduzca ligeramente el garfio en el poste hasta una profundidad de aproximadamente 1/4 de pulgada (6,4 mm). Mantenga suficiente presión sobre el estribo para mantener el garfio en el poste, pero no tanta como para hacer que el garfio penetre más profundamente. Vea la figura a continuación. Empuje al escalador y su mano más cerca del poste moviendo la rodilla hasta que el lazo de la correa de la manga del escalador esté contra el poste. Asegúrese de que el lazo de la correa quede sujeto contra el poste con la presión de su pierna. Gradualmente, ejerza toda la presión del pie hacia abajo sobre el estribo sin levantar el otro pie del suelo, para mantener el equilibrio si el garfio no se sostiene. Vea la figura a continuación. La punta del garfio deberá cortar la madera y sostenerse (clavarse) a una distancia de no más de 2 pulgadas (5,1 cm), medida desde el punto de entrada del garfio en el poste hasta la parte inferior del corte en la madera. superficie del polo.



La savia de los árboles es muy corrosiva, para evitar la corrosión de la punta, limpie y engrase los garfios después de cada uso.

**Fabricante** : Shanghaimuxinmuyeyouxiangongsi

**Dirección:** Shuangchenglu 803nong11hao1602A-1609shi, baoshanqu, shanghai 200000 CN.

**Importado a AUS:** SIHAO PTY LTD. 1 ROKEVA STREET ASTWOOD NSW 2122 Australia

**Importado a EE. UU.:** Sanven Technology Ltd. Suite 250, 9166 Anaheim Lugar, Rancho Cucamonga, CA 91730

<b>EC</b>	<b>REP</b>
-----------	------------

E-CrossStu GmbH

Mainzer Landstr.69, 60329 Frankfurt am Main.

<b>UK</b>	<b>REP</b>
-----------	------------

YH CONSULTING LIMITED.

C/O YH Consulting Limited Office 147, Centurion House,  
London Road, Staines-upon-Thames, Surrey, TW18 4AX

**VEVOR**<sup>®</sup>

**TOUGH TOOLS, HALF PRICE**

**Técnico Certificado de soporte y garantía electrónica**

**[www.vevor.com/support](http://www.vevor.com/support)**

# **VEVOR<sup>®</sup>**

**TOUGH TOOLS, HALF PRICE**

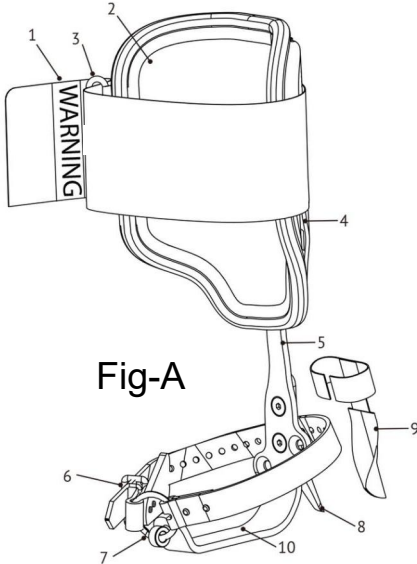
Tecnico Supporto e certificato di garanzia elettronica [www.vevor.com/support](http://www.vevor.com/support)

## **PICCHI PER ARRAMPICATA SUGLI ALBERI**

### **MANUALE D'USO**

We continue to be committed to provide you tools with competitive price.

"Save Half", "Half Price" or any other similar expressions used by us only represents an estimate of savings you might benefit from buying certain tools with us compared to the major top brands and does not necessarily mean to cover all categories of tools offered by us. You are kindly reminded to verify carefully when you are placing an order with us if you are actually saving half in comparison with the top major brands.



### NOMENCLATURE OF PARTS

- 1.Upper calf strap
- 2.Cuff pad with Velcro calf strap
- 3.Cinch bar
- 4.Adjustable cuff
- 5.Leg iron shank
- 6.Lower foot strap
- 7.Foot strap ring
- 8.Gaff with mounting screws
- 9.Gaff guard
- 10.Foot stirrup

### NEED HELP? CONTACT US!

Have product questions? Need technical support? Please feel free to contact us:

**Technical Support and E-Warranty Certificate**  
[www.vevor.com/support](http://www.vevor.com/support)

This is the original instruction, please read all manual instructions carefully before operating. VEVOR reserves a clear interpretation of our user manual. The appearance of the product shall be subject to the product you received. Please forgive us that we won't inform you again if there are any technology or software updates on our product.



## AVVERTIMENTO:

Avvertenza: per ridurre il rischio di lesioni, l'utente deve leggere attentamente il manuale di istruzioni.

NOTARE CHE! I disegni contenuti in questo manuale servono solo a scopo illustrativo e in alcuni dettagli differire dal prodotto reale.

Si prega di leggere attentamente questo manuale prima di utilizzare il prodotto. In caso contrario, si potrebbero causare lesioni gravi.

CONSERVA QUESTO MANUALE

# INFORMAZIONI GENERALI

Linee vita anticaduta			
Marchio	<b>VEVOR</b> <sup>®</sup> TOUGH TOOLS, HALF PRICE	Norme di riferimento	ASTM F887

"VEVOR. T ree Climbers " è un dispositivo di ritenuta regolabile conforme alla norma ASTM F887.

Il presente manuale deve essere letto e compreso nella sua interezza. Queste istruzioni hanno lo scopo di soddisfare le istruzioni del produttore. L'utente deve comprendere appieno l'uso corretto e le limitazioni dell'apparecchiatura.

## AVVERTIMENTO!

La mancata osservanza delle seguenti informazioni potrebbe mettere a rischio la vita dell'utente! Leggere attentamente tutte le informazioni prima dell'uso. Un allenamento speciale è essenziale prima di utilizzare gli speroni da arrampicata. Le attività in quota sono pericolose e possono provocare lesioni gravi o mortali. L'utente si assume tutti i rischi e le responsabilità per danni materiali, lesioni personali o morte che potrebbero verificarsi durante l'uso di questo prodotto. Se l'utente non è in grado o non è in grado di assumersi questa responsabilità o correre questo rischio, non utilizzare questo prodotto.

La presente informativa è destinata all'utilizzatore dei prodotti indicati. Deve

essere incluso con il prodotto, letto e compreso dall'utente prima di mettere in servizio il prodotto. Questa apparecchiatura deve essere utilizzata da operatori professionali adeguatamente formati.

Le informazioni contenute in questo manuale, le dimostrazioni del produttore, le informazioni del catalogo o altro materiale promozionale possono far parte ma non costituiscono una formazione adeguata o completa sull'uso di questi prodotti. L'utente deve ispezionare questa attrezzatura prima di ogni utilizzo. Qualsiasi attrezzatura risultata usurata, danneggiata, soggetta a carichi d'urto o comunque dubbia, dovrà essere immediatamente messa fuori servizio.

## **INFORMAZIONI GENERALI**

Solo le persone competenti e responsabili o quelle poste sotto il controllo diretto e visivo di una persona o istruttore competente e responsabile dovrebbero utilizzare gli scalatori. Spetta all'utilizzatore prevedere le situazioni che potrebbero richiedere il soccorso in caso di difficoltà incontrate nell'utilizzo degli arrampicatori. È responsabilità dell'utente acquisire la formazione sulle tecniche di arrampicata e sui metodi di sicurezza appropriati. L'utente è responsabile di confermare che questo prodotto è compatibile con gli altri componenti del sistema di arrampicata dell'utente. Non è garantito che gli arrampicatori e gli gaffi restino saldamente all'interno del legno. Il contenimento della caduta può essere ottenuto solo mediante l'uso attivo di un cordino di sicurezza e di una linea aerea.

Non far cadere gli scalatori dall'alto. Gli scalatori caduti dall'alto potrebbero avere danni visibili o meno al guscio superiore gambo, gaffe e supporti. Gli alpinisti danneggiati o caduti devono essere smaltiti correttamente. Seguire tutti gli standard pertinenti, le istruzioni di sicurezza e le leggi emesse dalle autorità competenti e dalle associazioni professionali .

## SPECIFICHE TECNICHE

Modello	CORDA-G-003	CORDA-G-004	CORDA-K-006
materiale principale	acciaio , pelle	acciaio, pelle	acciaio, pelle
Colore	Marrone nero	arancione , nero	arancione , nero
Dimensioni del prodotto (L * P * A)	21 0* 21 0* 4 50 mm	21 0* 21 0* 4 50 mm	21 0* 21 0* 4 50 mm
Dimensioni imballo (L * W * H)	480*205*140 mm	480*205*140 mm	480*205*180 mm
Peso netto (kg)	2.8	2.8	4.3
Peso lordo (kg)	3.28	3.28	4.9
regolazione dell'altezza (pollici)	13,2"-17"	13,2"-17"	13,2"-17"
Esposizione del prodotto	Figura -A		

### ISPEZIONE GAFF

Gli arrampicatori (palo e albero) devono avere gaffi adeguatamente sagomati. Eseguire l'ispezione del gaff prima di ogni salita.

### AFFILATURA GAFF

Non affilare mai i gaffi utilizzando uno strumento elettrico, affilare i gaffi solo manualmente con una lima piatta.

Fissare saldamente lo scalatore in una morsa (raccomandazione: avvolgere lo scalatore con materiale protettivo per evitare graffi) con la parte inferiore del gaff

esposta.

Utilizzare una lima piatta da 6 pollici lungo la superficie della gaffa iniziando dal tallone e disegnando verso la punta.

Non eseguire file incrociati.

Mantenere la lima spessa sulla gaffa e pulirla frequentemente.

Non limare mai la punta della gaffa al ricamo. Un gaffo non affilato correttamente può causare tagli, cadute e lesioni gravi o mortali.

Una volta completato, eseguire il test di taglio del piano e del palo.

### **PERICOLO ELETTRICO!**

Non utilizzare in prossimità di linee elettriche sotto tensione poiché questi rampicanti sono conduttivi! Non utilizzare scalatori se sono presenti deformazioni del gambo, dei gaffi o dei fissaggi. Quando gli scalatori **NON SONO IN USO**, applicare sempre le protezioni gaffe.

Questo prodotto è progettato per arrampicarsi su pali e alberi in legno e deve essere utilizzato solo insieme a un'imbracatura, un cordino e una linea di supporto vitale sospeso.

### **TEMPERATURA**

Utilizzare questo prodotto al di sopra di un minimo di  $-15^{\circ}\text{C}$  ( $5^{\circ}\text{F}$ ) e al di sotto di un massimo di  $+50^{\circ}\text{C}$  ( $122^{\circ}\text{F}$ )

### **PESO UTENTE**

Questo prodotto può essere utilizzato solo da una persona con un peso massimo di 350 libbre quando è completamente equipaggiato.

### **ISTRUZIONI DI ASSEMBLAGGIO**

Gli arrampicatori sono prodotti in conformità allo standard ASTM F887 con un intervallo di regolazione dell'altezza di 13 Da 1/5 pollici (minimo) a 17 pollici (massimo).

Per il massimo comfort, prestazioni e sicurezza, l'altezza dello scalatore deve essere regolata prima dell'uso iniziale.

Attaccare le cinghie inferiori all'anello inferiore della cinghia in modo che la parte della fibbia della cinghia sia rivolta in avanti.

## ISTRUZIONI PER L'USO

Gli alpinisti devono essere indossati con calzature da lavoro adeguate con fiocchetti sufficientemente robusti nella parte unica degli scarponi.

Se non installati, installare le cinghie inferiori per i piedi con l'anello diviso.

Seleziona lo scalatore destro o sinistro identificato dai segni sul polsino.

Entra nello scalatore e fissa saldamente la cinghia inferiore alle calzature.

Tirare saldamente l'estremità della linguetta della cinghia attraverso la fibbia e fissarla.

Fai passare l'estremità libera del cinturino in velcro superiore attraverso la barra Cinch.

Tirare la cinghia finché il bracciale non aderisce saldamente allo stinco.

Fissare l'estremità libera attorno al polsino e alla gamba, assicurando la completa connessione del gancio all'anello.

## Elenco prodotti

A seconda della configurazione del modello selezionato “ × ” indica nessuno e “ √ ” indica sì

Immagine				
Modello:	punte rampicanti X2PCS	Imbracature per sedersi X1 PZ	cordini di posizionamento sul lavoro X1 PZ	Bendare X2PCS

CORDA-G-00 3	√	×	×	√
CORDA-G-00 4	√	×	×	√
CORDA-G-00 6	√	√	√	√

## **Descrizione del prodotto**

### **REGOLAZIONE DELLA TAGLIA (Fig 1)**

Rilasciare il cuscinetto del polsino esponendo le due viti dell'hardware.

Utilizzando una chiave esagonale, rilasciare e rimuovere le viti consentendo al bracciale di muoversi verso l'alto o verso il basso.

Utilizzando le calzature standard, posizionare il piede nella staffa in ferro per le gambe e fissare le cinghie della parte inferiore della gamba attorno al piede.

Far scorrere il polsino verso l'alto o verso il basso lungo il ferro della gamba fino a quando il bordo superiore del polsino si trova a circa 4,4 cm (1 3/4 pollici ) sotto il ginocchio. Segna l'altezza designata.

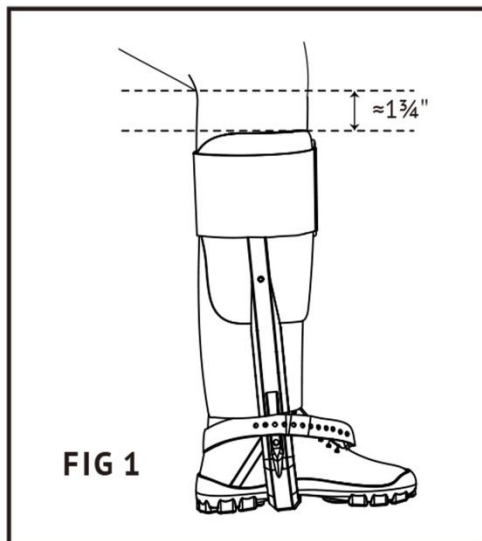
Tenendo il bracciale in posizione, installare una delle viti, ricontrollare la regolazione e installare la seconda vite.

Riposizionare saldamente il cuscinetto del polsino all'interno del polsino.

Per verificare la regolazione, piegare il ginocchio con un angolo di 90 gradi, il polsino deve essere il più alto possibile sullo stinco senza interferire con la flessione della gamba.

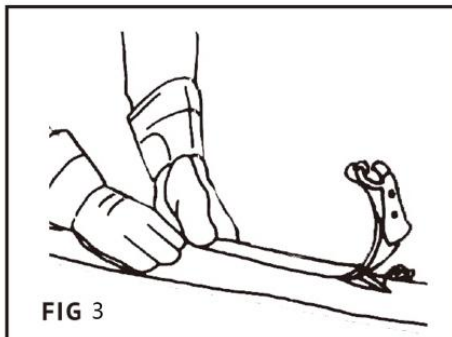
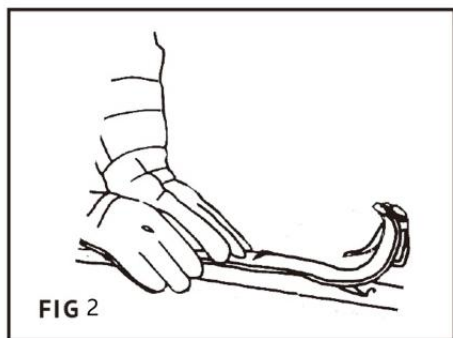
Ripetere con il secondo scalatore.

Non piegare, tagliare, forare o modificare in altro modo gli arrampicatori. Chiunque alteri questo prodotto si assume tutti i rischi legati all'utilizzo.



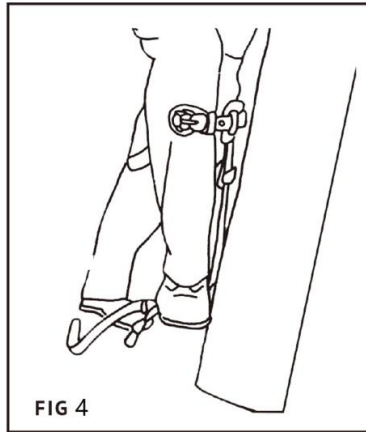
### PROVA AEREA SECONDO ASTM F887 (Fig 2 e 3 )

Questo test può essere utilizzato per determinare che la gaffa sia correttamente modellata e affilata per penetrare correttamente nel palo. Posiziona lo scalatore su una tavola piatta e morbida di pino o cedro. Tenendolo in posizione verticale con il gambo parallelo alla superficie della tavola, ma senza pressione sulla staffa, spingere lo scalatore in avanti lungo la tavola come mostrato nella figura sotto. Se la gaffa è adeguatamente modellata e affilata e se l'angolo della gaffa con il legno è sufficiente, la punta della gaffa scaverà nel legno e inizierà a mantenersi entro una distanza di circa 1 pollice (2,54 cm). Se il raffio da scalatore scivola lungo il legno senza scavare, o lascia semplicemente un segno o un solco nel legno come mostrato nella figura seguente, il raffio non è affilato e modellato correttamente oppure l'angolo del raffio è troppo piccolo. L'angolo del gaff è incorporato nello scalatore dal produttore e deve essere compreso tra 11 e 17 gradi con lo scalatore posizionato parallelo alla superficie del legno.



### **PROVA DI ESCLUSIONE DEL PALO SECONDO ASTM F887 (Fig 4 )**

Tale prova dovrà essere eseguita su una sezione di palo trattato in una zona priva di nodi e riscontri. Posiziona lo scalatore sulla gamba tenendo la manica con la mano. Con la gamba ad un angolo di circa  $30^\circ$  rispetto al palo e il piede a circa 30,5 cm da terra. Conficca leggermente il gaffi nel palo fino a una profondità di circa 6,4 mm (1/4 di pollice). Mantieni una pressione sufficiente sulla staffa per mantenere la gaffa nel palo, ma non così tanta da farla penetrare più in profondità. Vedere la figura seguente. Spingere lo scalatore e la mano più vicino al palo muovendo il ginocchio finché l'anello della cinghia della manica dello scalatore non è contro il palo. Assicurati che l'anello della cinghia sia tenuto contro il palo con la pressione della gamba. Esercita gradualmente la piena pressione del piede sulla staffa senza sollevare l'altro piede dal pavimento o dal terreno, in modo da mantenere l'equilibrio se la gaffa non regge. Vedere la figura seguente. La punta della gaffa deve incidere il legno e mantenersi (scavarsi) a una distanza non superiore a 2 pollici (5,1 cm), misurata dal punto di entrata della gaffa nel palo fino al fondo del taglio sul legno. superficie del palo.



## **SOSTITUZIONE GAFF**

Prima di cambiare gaffi leggere attentamente le istruzioni

### **RIMOZIONE**

Fissare saldamente lo scalatore in una morsa (consiglio: avvolgere lo scalatore con materiale protettivo per evitare graffi) con le teste delle viti gaffi rivolte verso l'alto.

Utilizzando una punta o una presa T40 bit girare la vite del gaff in senso antiorario. Se la vite è troppo stretta e non riesce a muoversi, usa un asciugacapelli per riscaldare la gaffa. Il riscaldamento aiuterà ad allentare l'adesivo Loctite. Rimuovere completamente entrambe le viti dal gaff.

### **INSTALLAZIONE**

Individua nuovi gaffi e hardware.

Montare i nuovi gaffi SOLO utilizzando le viti fornite da 20 mm e 25 mm.

Utilizzare una lunghezza di 20 mm per il foro superiore e 25 mm per il foro inferiore.

Utilizzando la punta o la presa T40, ruotare la vite del gaff in senso orario, non farlo sopra stringere.

Se disponibile, utilizzare una chiave dinamometrica per impostare la coppia di 18,5 lb./ft.

### **CONSIGLIO PER LA MANUTENZIONE**

La linfa degli alberi è molto corrosiva, per evitare la corrosione della punta pulire e

raffi l'olio dopo ogni utilizzo.

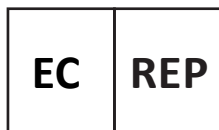
**Produttore** : Shanghaimuxinmuyeyouxiangongsi

**Indirizzo**: Shuangchenglu 803nong11hao1602A-1609shi, baoshanqu, shanghai 200000 CN.

**Importato in AUS**: SIHAO PTY LTD. 1 ROKEVA STREETEASTWOOD NSW 2122 Australia

**Importato negli Stati Uniti**: Sanven Technology Ltd. Suite 250, 9166 Anaheim

Luogo, Rancho Cucamonga, CA 91730



E-CrossStu GmbH

Mainzer Landstr.69, 60329 Frankfurt am Main.



YH CONSULTING LIMITED.

C/O YH Consulting Limited Office 147, Centurion House,  
London Road, Staines-upon-Thames, Surrey, TW18 4AX

**VEVOR**<sup>®</sup>

**TOUGH TOOLS, HALF PRICE**

**Tecnico Supporto e certificato di garanzia elettronica**

**[www.vevor.com/support](http://www.vevor.com/support)**

# **VEVOR<sup>®</sup>**

## **TOUGH TOOLS, HALF PRICE**

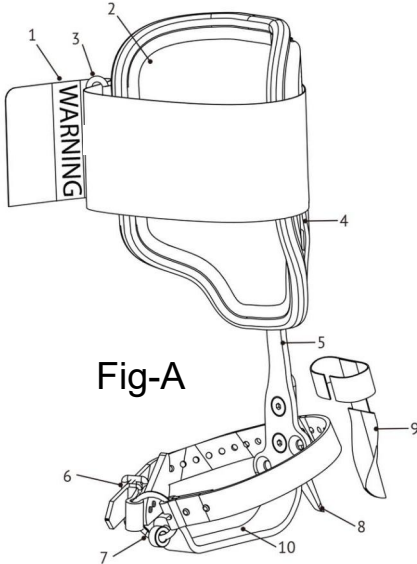
Techniczny Certyfikat wsparcia i e-gwarancji [www.vevor.com/support](http://www.vevor.com/support)

# **KOLCE DO WSPINACZKI PO DRZEWACH**

## **INSTRUKCJA OBSŁUGI**

We continue to be committed to provide you tools with competitive price.

"Save Half", "Half Price" or any other similar expressions used by us only represents an estimate of savings you might benefit from buying certain tools with us compared to the major top brands and does not necessarily mean to cover all categories of tools offered by us. You are kindly reminded to verify carefully when you are placing an order with us if you are actually saving half in comparison with the top major brands.



### NOMENCLATURE OF PARTS

- 1.Upper calf strap
- 2.Cuff pad with Velcro calf strap
- 3.Cinch bar
- 4.Adjustable cuff
- 5.Leg iron shank
- 6.Lower foot strap
- 7.Foot strap ring
- 8.Gaff with mounting screws
- 9.Gaff guard
- 10.Foot stirrup

### NEED HELP? CONTACT US!

Have product questions? Need technical support? Please feel free to contact us:

**Technical Support and E-Warranty Certificate**  
[www.vevor.com/support](http://www.vevor.com/support)

This is the original instruction, please read all manual instructions carefully before operating. VEVOR reserves a clear interpretation of our user manual. The appearance of the product shall be subject to the product you received. Please forgive us that we won't inform you again if there are any technology or software updates on our product.



## **OSTRZEŻENIE:**

Ostrzeżenie — aby zmniejszyć ryzyko obrażeń, użytkownik musi uważnie przeczytać instrukcję obsługi.

**PROSZĘ ZANOTOWAĆ!** Rysunki w tej instrukcji służą do: wyłącznie w celach ilustracyjnych i w niektórych szczegółach może różnić się od rzeczywistego produktu.

Przed użyciem produktu prosimy o dokładne zapoznanie się z niniejszą instrukcją. Niezastosowanie się do tego może spowodować poważne obrażenia. **ZACHOWAJ TĘ INSTRUKCJĘ**

## **INFORMACJE OGÓLNE**

Liny ratunkowe chroniące przed upadkiem

Znak towarowy	<b>VEVOR</b> <sup>®</sup> TOUGH TOOLS, HALF PRICE	Standardy referencyjne	ASTM F887
---------------	--	------------------------	-----------

„VEVOR. Tree Climbers ” to regulowane urządzenie przytrzymujące zgodne z normą ASTM F887.

Niniejszą instrukcję należy przeczytać i zrozumieć w całości. Niniejsza instrukcja ma na celu zgodność z instrukcjami producenta. Użytkownik musi w pełni zrozumieć prawidłowe użytkowanie sprzętu i jego ograniczenia.

## **OSTRZEŻENIE!**

Nieprzestrzeżenie poniższych wskazówek może zagrozić życiu użytkownika! Przed użyciem przeczytaj uważnie wszystkie informacje. Przed użyciem ostróg wspinaczkowych konieczne jest specjalne przeszkolenie. Działania na wysokości są niebezpieczne i mogą prowadzić do poważnych obrażeń lub śmierci.

Użytkownik przyjmuje na siebie wszelkie ryzyko i odpowiedzialność za szkody materialne, obrażenia ciała lub śmierć, które mogą wystąpić podczas korzystania z tego produktu. Jeśli użytkownik nie jest w stanie lub nie jest w stanie przejąć tej odpowiedzialności lub podjąć tego ryzyka, nie używaj tego produktu.

Niniejsza informacja przeznaczona jest dla użytkownika wskazanych produktów. Jeśli muszą być dołączone do produktu, użytkownik powinien je przeczytać i zrozumieć przed oddaniem produktu do użytku. Sprzęt ten powinien być używany przez odpowiednio przeszkolonych, profesjonalnych pracowników.

Informacje zawarte w tej instrukcji, demonstracje producenta, informacje katalogowe lub inne materiały promocyjne mogą stanowić część odpowiedniego lub pełnego szkolenia w zakresie korzystania z tych produktów, ale nie stanowią tego.

Użytkownik ma obowiązek sprawdzić to urządzenie przed każdym użyciem. Każdy sprzęt, który okaże się zużyty, uszkodzony, narażony na obciążenia udarowe lub w jakikolwiek sposób budzący wątpliwości, należy natychmiast wycofać z użytku.

## **INFORMACJE OGÓLNE**

Ze wspinaczy powinny korzystać wyłącznie osoby kompetentne i odpowiedzialne lub znajdujące się pod bezpośrednią i wzrokową kontrolą kompetentnej i odpowiedzialnej osoby lub instruktora. Do użytkownika należy przewidzenie sytuacji, które mogą wymagać ratunku w przypadku trudności napotkanych podczas korzystania ze wspinaczki. Odbycie szkolenia w zakresie odpowiednich technik wspinaczkowych i metod bezpieczeństwa leży w gestii użytkownika.

Użytkownik jest odpowiedzialny za potwierdzenie, że ten produkt jest kompatybilny z innymi elementami systemu wspinaczkowego użytkownika. Nie ma gwarancji, że pnącza i gafle bezpiecznie utrzymają się w drewnie. Zabezpieczenie przed upadkiem może nastąpić jedynie poprzez aktywne użycie lonyż zabezpieczającej i liny napowietrznej.

Nie upuszczaj wspinaczy z wysokości. Wspinacze, którzy spadli z wysokości, mogą mieć widoczne lub niewidoczne uszkodzenia górnej skorupy, tzw trzpień, gafle i mocowania. Pnącza, które zostały uszkodzone lub upuszczone, należy w odpowiedni sposób zutylizować. Przestrzegaj wszystkich odpowiednich norm, instrukcji bezpieczeństwa i przepisów prawnych wydanych przez odpowiednie władze i stowarzyszenia zawodowe.

## SPECYFIKACJA TECHNICZNA

Model	LINA-G-003	LINA-G-004	LINA-K-006
główny materiał	stal , skóra	stal, skóra	stal, skóra
Kolor	brązowo - czarny	pomarańczowy , czarny	pomarańczowy , czarny
wymiary produktu (dł . * szer. * wys.)	21 0* 21 0* 4 50mm	21 0* 21 0* 4 50 mm	21 0* 21 0* 4 50mm
Rozmiar opakowania (dł . * szer. * wys.)	480*205*140mm	480*205*140mm	480*205*180mm
Masa netto (kg)	2.8	2.8	4.3
Masa brutto (kg)	3.28	3.28	4.9
regulacja wysokości (cale)	13,2"–17"	13,2"–17"	13,2"–17"
Pokaz produktów	Ryc . - A		

### INSPEKCJA GAFFA

Wspinacze (tyczka i drzewo) muszą mieć odpowiednio ukształtowane gable.

Przed każdą wspinaczką należy przeprowadzić kontrolę gaffa.

### OSTRZENIE GAFA

Nigdy nie szlifuj gaf za pomocą elektronarzędzia, ostrz gable jedynie ręcznie za

pomocą płaskiego pilnika.

Zabezpiecz pnąca szczelnie w imadle (zalecenie: owiń pnąca materiałem ochronnym, aby zapobiec zarysowaniu) tak, aby spód gafla był odsłonięty.

Użyj 6-calowego płaskiego pilnika wzdłuż powierzchni gafla, zaczynając od pięty i ciągnąc w kierunku końcówki.

Nie krzyżuj plików.

Pilnik należy utrzymywać na osnowie i często czyścić.

Nigdy nie piłuj końcówki gafla do igła. Niewłaściwie naostrzony gafel może spowodować przecięcie, upadek i poważne obrażenia lub śmierć.

Po zakończeniu wykonaj test wycięcia w płaszczyźnie i słupie.

### **ZAGROŻENIE PORAZENIEM ELEKTRYCZNYM!**

Nie używaj w pobliżu linii energetycznych pod napięciem, ponieważ wspinacze przewodzą! Nie używaj wspinaczy, jeśli występują deformacje trzonka, gaf lub mocowań. Kiedy wspinacze NIE są UŻYWANI, zawsze używaj ochraniaczy gaflowych.

Ten produkt jest przeznaczony do wspinania się na drewniane słupy i drzewa i może być używany wyłącznie w połączeniu z uprzężą, lonżą i podwieszoną liną podtrzymującą życie.

### **TEMPERATURA**

Używaj tego produktu w temperaturze powyżej  $-15^{\circ}\text{C}$  ( $5^{\circ}\text{F}$ ) i poniżej maksymalnie  $+50^{\circ}\text{C}$  ( $122^{\circ}\text{F}$ )

### **WAGA UŻYTKOWNIKA**

Produkt ten może być używany przez osobę o maksymalnej wadze 350 funtów, gdy jest w pełni wyposażony.

### **INSTRUKCJA MONTAŻU**

C produkowane są w zgodzie z normą ASTM F887 z zakresem regulacji wysokości 1 3 1/5 cala (minimum) do 17 cali (maksymalnie).

Aby zapewnić maksymalny komfort, wydajność i bezpieczeństwo, przed pierwszym użyciem należy wyregulować wysokość wspinacza.

Przymocuj dolne paski do dolnego pierścienia paska tak, aby część klamry paska była skierowana do przodu.

## INSTRUKCJA OBSŁUGI

Wspinacze powinni nosić odpowiednie obuwie robocze z odpowiednio mocną cholewką w podeszwie butów.

Jeśli nie są zainstalowane, zamontuj paski na dolną część stopy z dzielonym pierścieniem.

Wybierz wspinacza prawego lub lewego, którego można rozpoznać po oznaczeniach na mankiecie.

Wejź na wspinacz i bezpiecznie przymocuj dolny pasek do obuwia.

Mocno przeciągnij koniec języka paska przez klamrę i zabezpiecz.

Przeprowadź wolny koniec górnego paska z rzepem przez listwę zaciskową.

Pociągnij pasek, aż mankiet będzie mocno przylegał do голени.

Zamocuj wolny koniec wokół mankietu i nogawki, zapewniając pełne połączenie haczyka z pętlą.

## Lista produktów

Zgodnie z konfiguracją wybranego modelu „ × ” oznacza brak, a „ ✓ ” oznacza tak

Zdjęcie				
Model:	wspinaczkowe kolce X2SZT	Uprężę do siedzenia X1 szt	smycze do ustalania pozycji podczas pracy	Bandaż X2SZT

			X1 szt	
LINA-G-00 3	√	×	×	√
LINA-G-00 4	√	×	×	√
LINA-G-00 6	√	√	√	√

## Opis produktu

### **REGULACJA ROZMIARU (rys. 1)**

Zwolnij podkładkę mankietu z mankietu, odsłaniając dwie śruby sprzętowe.

Za pomocą klucza imbusowego zwolnij i wykręć śruby umożliwiające przesuwanie mankietu w górę lub w dół.

Używając standardowego obuwia, umieść stopę w żelaznym strzemieniu nogi i zabezpiecz paski w dolnej części nogi wokół stopy.

Przesuń mankiet w górę lub w dół wzdłuż nogawki, aż górna krawędź mankietu znajdzie się około 1 3/4 cala (4,4 cm) poniżej kolana. Zaznacz wyznaczoną wysokość.

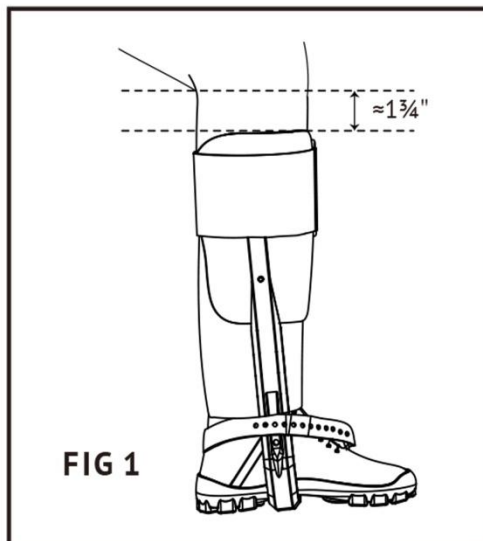
Trzymając mankiet w miejscu, wkręć jedną ze śrub, sprawdź ponownie regulację i wkręć drugą śrubę.

Umieść ponownie podkładkę mankietu wewnątrz mankietu.

Aby sprawdzić dopasowanie, należy ugiąć kolano pod kątem 90 stopni, mankiet powinien znajdować się jak najwyżej na goleni, nie utrudniając zgięcia nogi.

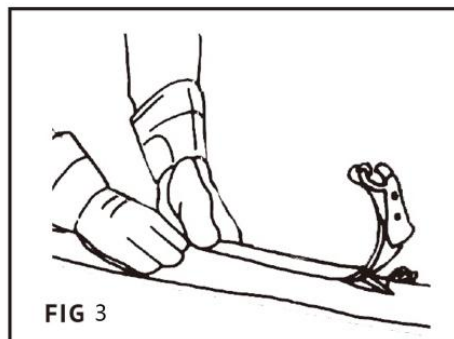
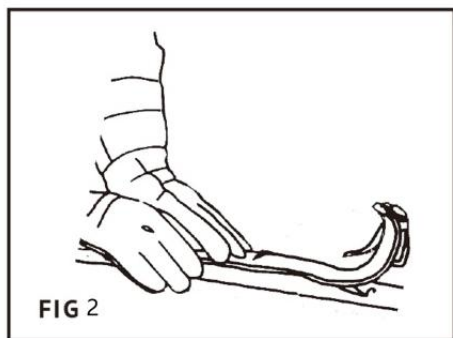
Powtórz z drugim wspinaczem.

Nie zginaj, nie przecinaj, nie wierć ani nie modyfikuj w żaden inny sposób wspinaczy. Każdy, kto zmienia ten produkt, bierze na siebie całe ryzyko związane z jego użytkowaniem.



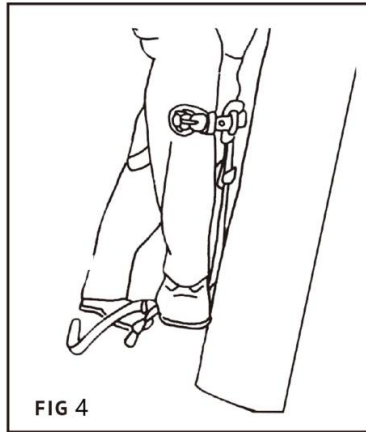
### TEST PŁASKI ZGODNIE Z ASTM F887 (rys. 2 i 3)

Test ten można wykorzystać do ustalenia, czy gafel jest prawidłowo ukształtowany i naostrzony, aby prawidłowo wbić się w tyczkę. Umieść pnącza na płaskiej, miękkiej desce sosnowej lub cedrowej. Trzymając go w pozycji pionowej, z trzonkiem równoległym do powierzchni deski, ale bez nacisku na strzemię, popchnij pnącza do przodu wzdłuż deski, jak pokazano na rysunku poniżej. Jeśli gafel jest odpowiednio ukształtowany i naostrzony, a kąt gafla względem drewna jest wystarczający, ostrze gafla wbije się w drewno i zacznie trzymać się w odległości około 1 cala (2,54 cm). Jeżeli gafel pnący ślizga się po drewnie bez wbijania się w drewno lub po prostu pozostawia ślad lub rowek w drewnie, jak pokazano na poniższym rysunku, gafel albo nie jest odpowiednio naostrzony i ukształtowany, albo kąt gafla jest zbyt mały. Kąt gafla jest wbudowany przez producenta w pnączu i powinien wynosić od 11 do 17 stopni, przy pnączu ustawionym równoległe do powierzchni drewna.



### TEST WYCIĘCIA SŁUPA ZGODNIE Z ASTM F887 (rys. 4 )

Badanie to należy przeprowadzić na odcinku słupa poddanego obróbce w obszarze wolnym od sęków i kratek. Połóż wspinacz na swojej nodze, trzymając rękaw dłonią. Z nogą ustawioną pod kątem około  $30^\circ$  do rurki i stopą około 12 cali (30,5 cm) nad ziemią. Lekko wbij gafel w słupek na głębokość około 1/4 cala (6,4 mm). Utrzymuj wystarczający nacisk na strzemię, aby utrzymać gafel w słupie, ale nie na tyle, aby spowodować głębsze wniknięcie gafla. Patrz rysunek poniżej. Przyciśnij wspinacza i rękę bliżej rurki, przesuując kolano, aż pętla paska rękawa wspinacza dotknie rurki. Upewnij się, że pętla paska jest przytrzymywana przy rurze pod naciskiem nogi. Stopniowo wywieraj pełny nacisk stopą prosto w dół na strzemię, nie odrywając drugiej stopy od podłogi lub podłoża, aby zachować równowagę, jeśli gafel nie trzyma się. Patrz rysunek poniżej. Końcówka gafla powinna wcinać się w drewno i trzymać (wkopywać się) w odległości nie większej niż 2 cale (5,1 cm), mierzonej od punktu wejścia gafla w słupek do spodu nacięcia na powierzchnia bieguna.



## WYMIANA GAFA

Przed wymianą gaf należy dokładnie zapoznać się z instrukcją

### USUWANIE

Przymocuj pnącza szczelnie do imadła (zalecenie: owiń pnącza materiałem ochronnym, aby zapobiec zarysowaniu) łbami śrub gaflowych skierowanymi do góry.

Używanie bitu lub gniazda T40 obróć śrubę gafłową w kierunku przeciwnym do ruchu wskazówek zegara.

Jeśli śruba jest zbyt mocno dokręcona i nie można jej poruszyć, użyj suszarki do włosów, aby podgrzać gafel. Ogrzewanie pomoże w rozluźnieniu kleju Loctite. Całkowicie wykręcić obie śruby z gafła.

## INSTALACJA

Zlokalizuj nowe gafy i sprzęt.

Zamontuj nowe gafle **WYŁĄCZNIE** za pomocą dostarczonych śrub 20 mm i 25 mm.

Użyj długości 20 mm dla górnego otworu i 25 mm dla dolnego otworu.

Używając bitu lub nasadki T40, przekręć śrubę gałkową w kierunku zgodnym z ruchem wskazówek zegara, nie rób tego nad dokręcać.

Jeśli to możliwe, użyj klucza dynamometrycznego, aby ustawić moment obrotowy na poziomie 18,5 lb./ft.

## WSKAZÓWKA DOTYCZĄCA KONSERWACJI

Sok drzewny jest bardzo żrący, aby zapobiec korozji końcówki i zabrudzeniom olejowym po każdym użyciu.

**Producent** : Shanghaimuxinmuyeyouxiangongsi

**Adres**: Shuangchenglu 803nong11hao1602A-1609shi, baoshanqu, szanghaj 200000 CN.

**Import do AUS**: SIHAO PTY LTD. 1 ROKEVA STREETEASTWOOD NSW 2122 Australia

**Import do USA**: Sanven Technology Ltd. Suite 250, 9166 Anaheim Place, Rancho Cucamonga, Kalifornia 91730

<b>EC</b>	<b>REP</b>
-----------	------------

E-CrossStu GmbH

Mainzer Landstr.69, 60329 Frankfurt am Main.

<b>UK</b>	<b>REP</b>
-----------	------------

YH CONSULTING LIMITED.

C/O YH Consulting Limited Office 147, Centurion House,  
London Road, Staines-upon-Thames, Surrey, TW18 4AX

**VEVOR**<sup>®</sup>

**TOUGH TOOLS, HALF PRICE**

**Techniczny Certyfikat wsparcia i e-gwarancji**

**[www.vevor.com/support](http://www.vevor.com/support)**

# **VEVOR<sup>®</sup>**

## **TOUGH TOOLS, HALF PRICE**

Technisch Support und E-Garantie-Zertifikat [www.vevor.com/support](http://www.vevor.com/support)

# **BAUMKLETTERSPIKES**

## **BENUTZERHANDBUCH**

We continue to be committed to provide you tools with competitive price.

"Save Half", "Half Price" or any other similar expressions used by us only represents an estimate of savings you might benefit from buying certain tools with us compared to the major top brands and does not necessarily mean to cover all categories of tools offered by us. You are kindly reminded to verify carefully when you are placing an order with us if you are actually saving half in comparison with the top major brands.

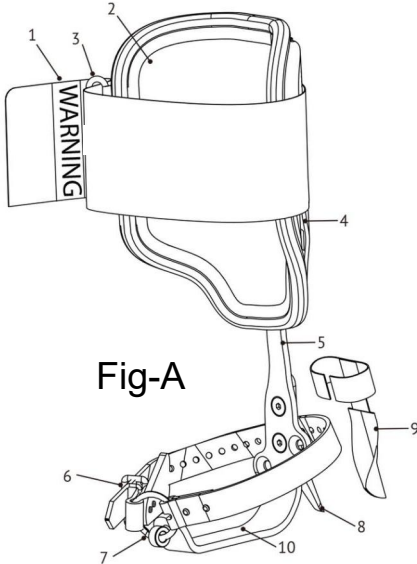


Fig-A

### NOMENCLATURE OF PARTS

- 1.Upper calf strap
- 2.Cuff pad with Velcro calf strap
- 3.Cinch bar
- 4.Adjustable cuff
- 5.Leg iron shank
- 6.Lower foot strap
- 7.Foot strap ring
- 8.Gaff with mounting screws
- 9.Gaff guard
- 10.Foot stirrup

### NEED HELP? CONTACT US!

Have product questions? Need technical support? Please feel free to contact us:

**Technical Support and E-Warranty Certificate**  
[www.vevor.com/support](http://www.vevor.com/support)

This is the original instruction, please read all manual instructions carefully before operating. VEVOR reserves a clear interpretation of our user manual. The appearance of the product shall be subject to the product you received. Please forgive us that we won't inform you again if there are any technology or software updates on our product.



## **WARNUNG:**

Warnung: Um das Verletzungsrisiko zu verringern, muss der Benutzer die Bedienungsanleitung sorgfältig lesen.

**BITTE BEACHTEN!** Die Zeichnungen in diesem Handbuch dienen dienen lediglich Illustrationszwecken und können in einigen vom tatsächlichen Produkt abweichen.

Bitte lesen Sie dieses Handbuch sorgfältig durch, bevor Sie das Produkt verwenden. Andernfalls kann es zu schweren Verletzungen kommen.  
**BEWAHREN SIE DIESES HANDBUCH AUF**

# **ALLGEMEINE INFORMATIONEN**

Absturzsicherungen			
Warenzeichen	<b>VEVOR</b> <sup>®</sup>	Referenzstandards	ASTM F887

„VEVOR. Tree Climbers ist ein einstellbares Rückhaltegerät, das der Norm ASTM F887 entspricht.

Dieses Handbuch muss vollständig gelesen und verstanden werden. Diese Anweisungen sollen die Anweisungen des Herstellers erfüllen. Der Benutzer muss die ordnungsgemäße Verwendung und die Einschränkungen der Ausrüstung vollständig verstehen.

## **WARNUNG!**

Die Nichtbeachtung der folgenden Informationen kann das Leben des Benutzers gefährden! Lesen Sie alle Informationen vor der Verwendung sorgfältig durch. Vor der Verwendung von Steigeisen ist eine spezielle Schulung erforderlich. Aktivitäten in der Höhe sind gefährlich und können zu schweren Verletzungen oder zum Tod führen. Der Benutzer übernimmt alle Risiken und die Verantwortung für Sachschäden, Personenschäden oder Todesfälle, die bei der Verwendung dieses Produkts auftreten können. Wenn der Benutzer nicht in der Lage oder in der Lage ist, diese Verantwortung zu übernehmen oder dieses Risiko einzugehen,

verwenden Sie dieses Produkt nicht.

Diese Informationen sind für den Benutzer der angegebenen Produkte bestimmt. Sie müssen dem Produkt beiliegen und vom Benutzer gelesen und verstanden werden, bevor er das Produkt in Betrieb nimmt. Dieses Gerät darf nur von entsprechend geschultem Fachpersonal verwendet werden.

Die Informationen in diesem Handbuch, Demonstrationen des Herstellers, Kataloginformationen oder anderes Werbematerial können Teil einer angemessenen oder vollständigen Schulung zur Verwendung dieser Produkte sein, stellen jedoch keine solche dar.

Der Benutzer muss das Gerät vor jedem Gebrauch überprüfen. Geräte, die abgenutzt, beschädigt, Stoßbelastungen ausgesetzt oder in irgendeiner anderen Weise fragwürdig sind, müssen sofort außer Betrieb genommen werden.

## **ALLGEMEINE INFORMATIONEN**

Nur kompetente und verantwortliche Personen oder Personen, die unter direkter und visueller Aufsicht einer kompetenten und verantwortlichen Person oder eines Ausbilders stehen, dürfen Klettergeräte verwenden. Es liegt in der Verantwortung des Benutzers, Situationen vorherzusehen, die bei Schwierigkeiten bei der Verwendung von Klettergeräten eine Rettung erfordern könnten. Die Ausbildung in geeigneten Klettertechniken und Sicherheitsmethoden liegt in der Verantwortung des Benutzers. Der Benutzer ist dafür verantwortlich, zu bestätigen, dass dieses Produkt mit den anderen Komponenten seines Klettersystems kompatibel ist. Baumklettergeräte und Kletterhaken bieten keinen sicheren Halt im Holz. Nur die aktive Verwendung eines Sicherheitsseils und einer Freileitung kann einen Sturz verhindern.

Lassen Sie die Klettergerüste nicht aus großer Höhe fallen. Klettergerüste, die aus großer Höhe gefallen sind, können sichtbare oder unsichtbare Schäden an der Oberschale aufweisen, Schaft, Haken und Halterungen. Beschädigte oder heruntergefallene Klettergeräte müssen ordnungsgemäß entsorgt werden. Befolgen Sie alle relevanten Normen, Sicherheitshinweise und Gesetze der zuständigen Behörden und Berufsverbände .

## TECHNISCHE SPEZIFIKATIONEN

Modell	SEIL-G-003	SEIL-G-004	SEIL-K-006
Hauptmaterial	Stahl , Leder	Stahl, Leder	Stahl, Leder
Farbe	Braun schwarz	orange , schwarz	orange , schwarz
Technische Daten (L * B * H)	21 0* 21 0* 4 50 mm	21 0* 21 0* 4 50 mm	21 0* 21 0* 4 50 mm
Verpackungsgröße (L * B * H)	480*205*140 mm	480*205*140 mm	480 x 205 x 180 mm
Nettogewicht / kg)	2.8	2.8	4.3
Bruttogewicht (kg)	3.28	3.28	4.9
Höhenverstellung (Zoll)	13,2"-17"	13,2"-17"	13,2"-17"
Produkt Show	Abb . - A		

### GAFF-INSPEKTION

Klettergeräte (Stangen und Bäume) müssen über entsprechend geformte Kletterhaken verfügen.

Führen Sie vor jedem Aufstieg eine Gaffelinspektion durch.

### GAFF-SCHÄRFEN

Schleifen Sie Gaffeln niemals mit einem elektrischen Werkzeug, sondern schärfen Sie sie nur manuell mit einer Flachfeile.

Befestigen Sie den Kletterer fest in einem Schraubstock (Empfehlung: Umwickeln Sie den Kletterer mit Schutzmaterial, um Kratzer zu vermeiden), wobei die Unterseite des Hakens frei liegen muss.

Verwenden Sie eine 6-Zoll-Flachfeile entlang der Oberfläche des Hakens, beginnend an der Ferse und in Richtung Spitze.

Machen Sie keine Kreuzfeilen.

Behalten Sie das Feilenfett auf dem Gaff und reinigen Sie die Feile regelmäßig. Feilen Sie die Spitze des Gaffs niemals zum Nadelspitzen. Ein unsachgemäß geschärfter Gaff kann zu Schnitten, Stürzen und schweren Verletzungen oder zum Tod führen.

Führen Sie nach Abschluss den Ebenen- und Mastausschnitttest durch.

### **ELEKTRISCHE GEFAHR!**

Nicht in der Nähe von stromführenden Leitungen verwenden, da diese Kletterhilfen leitfähig sind! Kletterhilfen nicht verwenden, wenn der Schaft, die Haken oder die Halterungen deformiert sind. Wenn Kletterhilfen NICHT VERWENDET werden, immer Hakenschutz anbringen.

Dieses Produkt ist zum Klettern auf Holzmasten und Bäume konzipiert und darf nur in Verbindung mit einem Klettergurt, einem Verbindungsmittel und einem Überkopf-Lebenserhaltungsseil verwendet werden.

### **TEMPERATUR**

Verwenden Sie dieses Produkt bei Temperaturen über mindestens  $-15\text{ °C}$  ( $5\text{ °F}$ ) und unter höchstens  $+50\text{ °C}$  ( $122\text{ °F}$ ).

### **BENUTZERGEWICHT**

Die Verwendung dieses Produkts ist bei voller Ausrüstung auf eine Person mit einem Höchstgewicht von 350 Pfund beschränkt.

### **BAUANLEITUNG**

C -Proben werden nach ASTM F887-Standard mit einem Höhenverstellbereich von 13 hergestellt . 1/2 Zoll (Minimum) bis 17 Zoll (Maximum).

Für maximalen Komfort, Leistung und Sicherheit muss die Kletterhöhe vor der ersten Verwendung angepasst werden.

Befestigen Sie die unteren Gurte am unteren Gurtring, sodass der Schnallenteil

des Gurtes nach vorne zeigt.

## BETRIEBSANLEITUNG

Beim Klettern ist geeignetes Arbeitsschuhwerk mit ausreichend stabilen Schafteinsätzen im Sohlenbereich der Stiefel zu tragen.

Falls nicht installiert, installieren Sie die unteren Fußriemen mit Spaltring.

Wählen Sie den rechten oder linken Kletterer anhand der Markierungen auf der Manschette.

Steigen Sie in den Kletterer und befestigen Sie den unteren Riemen sicher an Ihrem Schuh.

Das Ende der Gurtzunge fest durch die Schnalle ziehen und festmachen.

Führen Sie das freie Ende des oberen Klettbandes durch die Spannstange.

Ziehen Sie am Riemen, bis die Manschette fest an Ihrem Schienbein anliegt.

Befestigen Sie das freie Ende um Manschette und Bein und stellen Sie sicher, dass der Haken vollständig mit der Schlaufe verbunden ist.

## Produktliste

Je nach Konfiguration des ausgewählten Modells bedeutet „ × “ keine und „ ✓ “ bedeutet ja

Bild				
Modell:	Kletterspikes 2 Stück	Sitzgurte Stück	Verbindungsmittel zur	Bandage 2 Stück

			Arbeitsplatzpositionierung Stück	
SEIL-G-00 3	√	×	×	√
SEIL-G-00 4	√	×	×	√
SEIL-G-00 6	√	√	√	√

## Produktbeschreibung

### **GRÖSSENANPASSUNG (Abb. 1)**

Lösen Sie das Manschettenpolster von der Manschette, sodass zwei Befestigungsschrauben freigelegt werden.

Lösen und entfernen Sie die Schrauben mit einem Inbusschlüssel, sodass sich die Manschette nach oben oder unten bewegen lässt.

Setzen Sie den Fuß mit Ihrem normalen Schuhwerk in den Steigbügel und befestigen Sie die Unterschenkelgurte um den Fuß.

Schieben Sie die Manschette entlang der Fußfessel nach oben oder unten, bis die Oberkante der Manschette etwa 4,4 cm unterhalb des Knies liegt. Markieren Sie die gewünschte Höhe.

Halten Sie die Manschette an Ort und Stelle, montieren Sie eine der Schrauben, überprüfen Sie die Einstellung erneut und montieren Sie die zweite Schraube.

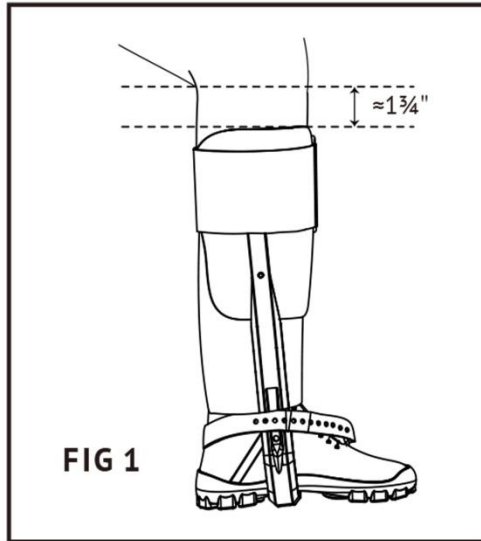
Positionieren Sie das Manschettenpolster wieder sicher in der Manschette.

Um die Einstellung zu prüfen, beugen Sie das Knie in einem 90-Grad-Winkel. Die Manschette sollte so hoch wie möglich am Schienbein liegen, ohne die Beugung des Beins zu behindern.

Mit dem zweiten Kletterer wiederholen.

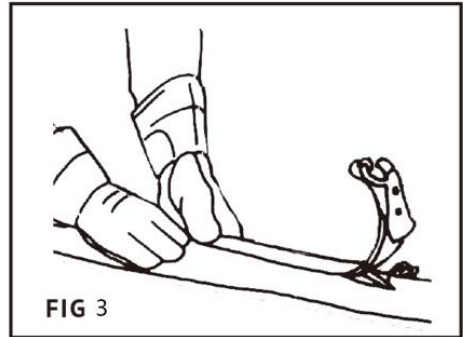
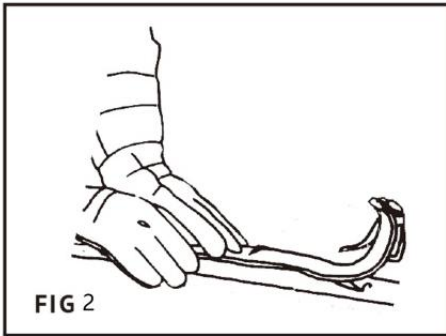
Die Klettergerüste dürfen nicht gebogen, geschnitten, gebohrt oder anderweitig verändert werden. Jeder, der dieses Produkt verändert, trägt das alleinige Risiko

der Nutzung.



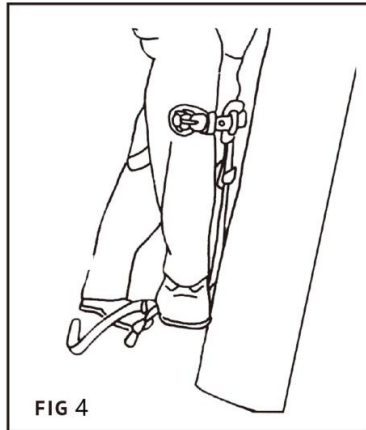
### **FLUGZEUGTEST NACH ASTM F887 (Abb. 2 und 3 )**

Mit diesem Test kann festgestellt werden, ob der Haken die richtige Form und Schärfe hat, um richtig in die Stange einzudringen. Legen Sie den Kletterer auf ein flaches, weiches Kiefern- oder Zedernholzbrett. Halten Sie ihn aufrecht mit dem Schaft parallel zur Brettoberfläche, aber ohne Druck auf den Steigbügel, und schieben Sie den Kletterer nach vorne entlang des Bretts, wie in der Abbildung unten gezeigt. Wenn der Haken die richtige Form und Schärfe hat und der Winkel des Hakens zum Holz ausreichend ist, gräbt sich die Spitze des Hakens in das Holz und beginnt, in einem Abstand von etwa 2,54 cm (1 Zoll) zu haften. Wenn der Haken des Kletterers über das Holz gleitet, ohne sich einzugraben, oder nur eine Spur oder Rille im Holz hinterlässt, wie in der Abbildung unten gezeigt, ist der Haken entweder nicht richtig geschärft und geformt oder der Winkel des Hakens ist zu klein. Der Winkel des Hakens wird vom Hersteller in den Kletterer eingebaut und sollte zwischen 11 und 17 Grad liegen, wenn der Kletterer parallel zur Holzoberfläche platziert wird.



### **Mastausschnittstest gemäß ASTM F887 (Abb. 4 )**

Dieser Test ist an einem Abschnitt einer behandelten Stange in einem Bereich durchzuführen, der frei von Knoten und Rissen ist. Stellen Sie den Kletterer auf Ihr Bein und halten Sie den Ärmel mit der Hand fest. Ihr Bein sollte in einem Winkel von ungefähr 30° zur Stange stehen und Ihr Fuß etwa 30,5 cm über dem Boden sein. Stechen Sie den Haken leicht bis zu einer Tiefe von ungefähr 6,4 mm in die Stange. Üben Sie genügend Druck auf den Steigbügel aus, um den Haken in der Stange zu halten, aber nicht so stark, dass der Haken noch tiefer eindringt. Siehe Abbildung unten. Drücken Sie den Kletterer und Ihre Hand näher an die Stange, indem Sie Ihr Knie bewegen, bis die Riemenschlaufe des Klettererärmels an der Stange anliegt. Achten Sie darauf, dass die Riemenschlaufe durch Druck Ihres Beins an der Stange gehalten wird. Üben Sie allmählich vollen Druck mit Ihrem Fuß gerade nach unten auf den Steigbügel aus, ohne Ihren anderen Fuß vom Boden abzuheben, um das Gleichgewicht zu halten, falls der Haken nicht hält. Siehe Abbildung unten. Die Spitze des Hakens muss in das Holz schneiden und sich in einer Distanz von nicht mehr als 5,1 cm (2 Zoll) festsetzen, gemessen von der Stelle, an der der Haken in die Stange eintritt, bis zur Unterseite des Schnitts auf der Stangenoberfläche.



## **GAFF-ERSATZ**

Vor dem Wechseln der Gaffs bitte die Anleitung vollständig lesen

### **ENTFERNUNG**

Befestigen Sie den Kletterer fest in einem Schraubstock (Empfehlung: Wickeln Sie den Kletterer in Schutzmaterial ein, um Kratzer zu vermeiden), wobei die Köpfe der Gaffelschrauben nach oben zeigen müssen.

Verwendung eines T40-Bits oder einer T40-Stecknuss Drehen Sie die Gaffelschraube gegen den Uhrzeigersinn.

Wenn die Schraube zu fest sitzt und sich nicht bewegen lässt, erhitzen Sie den Haken mit einem Haartrockner. Durch das Erhitzen lässt sich der Loctite-Kleber leichter lösen.

Entfernen Sie beide Schrauben vollständig vom Gaff.

## **INSTALLATION**

Finden Sie neue Gaffeln und Hardware.

Montieren Sie die neuen Gaffeln NUR mit den mitgelieferten 20-mm- und 25-mm-Schrauben.

Verwenden Sie 20 mm Länge für das obere Loch und 25 mm für das untere Loch.

Mit einem T40-Bit oder -Steckschlüssel die Gaffelschraube im Uhrzeigersinn drehen, nicht über spannen.

Stellen Sie das Drehmoment mit einem Drehmomentschlüssel (sofern verfügbar) auf 18,5 lb./ft ein.

## **WARTUNGSTIPP**

Baumharz ist stark ätzend. Um eine Korrosion der Spitze zu verhindern, müssen die Spachtel nach jedem Gebrauch gereinigt und geölt werden.

**Hersteller :** Shanghaimuxinmuyeyouxiangongsi

**Adresse:** Shuangchenglu 803nong11hao1602A-1609shi, Baoshanqu, Shanghai 200000 CN.

**Nach AUS importiert:** SIHAO PTY LTD. 1 ROKEVA  
STREETEASTWOOD NSW 2122 Australien

**Importiert in die USA:** Sanven Technology Ltd. Suite 250, 9166 Anaheim  
Ort, Rancho Cucamonga, CA 91730

<b>EC</b>	<b>REP</b>
-----------	------------

E-CrossStu GmbH

Mainzer Landstr.69, 60329 Frankfurt am Main.

<b>UK</b>	<b>REP</b>
-----------	------------

YH CONSULTING LIMITED.

C/O YH Consulting Limited Office 147, Centurion House,  
London Road, Staines-upon-Thames, Surrey, TW18 4AX

**VEVOR**<sup>®</sup>

**TOUGH TOOLS, HALF PRICE**

**Technisch Support und E-Garantie-Zertifikat**

**[www.vevor.com/support](http://www.vevor.com/support)**

# **VEVOR<sup>®</sup>**

**TOUGH TOOLS, HALF PRICE**

Technique Assistance et certificat de garantie électronique

[www.vevor.com/support](http://www.vevor.com/support)

## **POINTES D'ESCALADE DANS LES ARBRES**

### **MANUEL DE L'UTILISATEUR**

We continue to be committed to provide you tools with competitive price.

"Save Half", "Half Price" or any other similar expressions used by us only represents an estimate of savings you might benefit from buying certain tools with us compared to the major top brands and does not necessarily mean to cover all categories of tools offered by us. You are kindly reminded to verify carefully when you are placing an order with us if you are actually saving half in comparison with the top major brands.

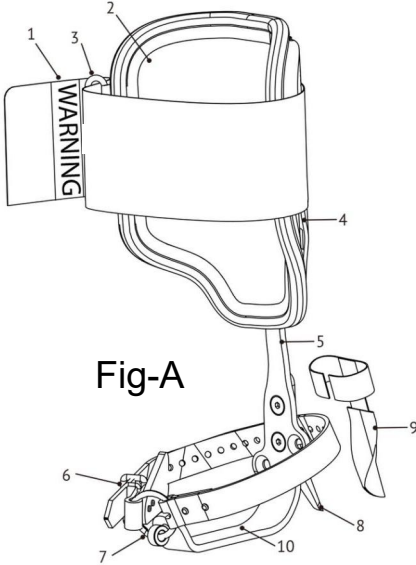


Fig-A

### NOMENCLATURE OF PARTS

- 1.Upper calf strap
- 2.Cuff pad with Velcro calf strap
- 3.Cinch bar
- 4.Adjustable cuff
- 5.Leg iron shank
- 6.Lower foot strap
- 7.Foot strap ring
- 8.Gaff with mounting screws
- 9.Gaff guard
- 10.Foot stirrup

### NEED HELP? CONTACT US!

Have product questions? Need technical support? Please feel free to contact us:

**Technical Support and E-Warranty Certificate**  
[www.vevor.com/support](http://www.vevor.com/support)

This is the original instruction, please read all manual instructions carefully before operating. VEVOR reserves a clear interpretation of our user manual. The appearance of the product shall be subject to the product you received. Please forgive us that we won't inform you again if there are any technology or software updates on our product.



## AVERTISSEMENT:

Avertissement : Pour réduire le risque de blessure, l'utilisateur doit lire attentivement le manuel d'instructions.

VEUILLEZ NOTER! Les dessins de ce manuel sont destinés à titre d'illustration uniquement et dans certains détails, peut diffèrent du produit réel.

Veuillez lire attentivement ce manuel avant d'utiliser le produit. Ne pas le faire pourrait entraîner des blessures graves. CONSERVEZ CE MANUEL

# INFORMATIONS GÉNÉRALES

## Lignes de vie de protection contre les chutes

Marque déposée	<b>VEVOR</b> <sup>®</sup> TOUGH TOOLS, HALF PRICE	Normes de référence	ASTM F887
----------------	--	---------------------	-----------

"VEVOR. T ree Climbers " est un dispositif de retenue réglable conforme à la norme ASTM F887.

Ce manuel doit être lu et compris dans son intégralité. Ces instructions sont destinées à répondre aux instructions du fabricant. L'utilisateur doit parfaitement comprendre l'utilisation appropriée de l'équipement et ses limites.

## AVERTISSEMENT!

Le non-respect des informations suivantes peut mettre la vie de l'utilisateur en danger ! Lisez attentivement toutes les informations avant utilisation. Une formation particulière est indispensable avant d'utiliser des éperons d'escalade. Les activités en hauteur sont dangereuses et peuvent entraîner des blessures graves, voire la mort. L'utilisateur assume tous les risques et responsabilités en cas de dommages matériels, de blessures corporelles ou de décès pouvant survenir lors de l'utilisation de ce produit. Si l'utilisateur n'est pas en mesure ou en position d'assumer cette responsabilité ou de prendre ce risque, n'utilisez pas ce produit.

Ces informations sont destinées à l'utilisateur des produits indiqués. Il doit être inclus avec le produit, lu et compris par l'utilisateur avant de mettre ce produit en service. Cet équipement doit être utilisé par des travailleurs professionnels correctement formés.

Les informations contenues dans ce manuel, les démonstrations du fabricant, les informations du catalogue ou tout autre matériel promotionnel peuvent faire partie mais ne constituent pas une formation appropriée ou complète dans l'utilisation de ces produits.

L'utilisateur doit inspecter cet équipement avant chaque utilisation. Tout équipement jugé usé, endommagé, soumis à des chocs ou de quelque manière que ce soit douteux doit être immédiatement mis hors service.

## **INFORMATIONS GÉNÉRALES**

Seules les personnes compétentes et responsables ou celles placées sous le contrôle direct et visuel d'une personne ou d'un instructeur compétent et responsable doivent utiliser les grimpeurs. Il appartient à l'utilisateur de prévoir les situations pouvant nécessiter des secours en cas de difficultés rencontrées lors de l'utilisation des grimpeurs. Il est de la responsabilité de l'utilisateur d'obtenir une formation sur les techniques d'escalade appropriées et les méthodes de sécurité. L'utilisateur est responsable de confirmer que ce produit est compatible avec les autres composants du système d'escalade de l'utilisateur. Il n'est pas garanti que les grimpeurs d'arbres et les gaffes tiennent en toute sécurité dans le bois. La retenue en cas de chute ne peut résulter que de l'utilisation active d'une longe de sécurité et d'une ligne aérienne.

Ne laissez pas tomber les grimpeurs de hauteur. Les grimpeurs tombés de hauteur peuvent présenter des dommages visibles ou non visibles à la coque supérieure, au tige, gaffes et fixations. Les grimpeurs endommagés ou tombés doivent être éliminés de manière appropriée. Suivez toutes les normes, instructions de sécurité et lois pertinentes émises par les autorités compétentes et les associations professionnelles.

## SPÉCIFICATIONS TECHNIQUES

Modèle	CORDE-G-003	CORDE-G-004	CORDE-K-006
Matériau principal	acier , cuir	acier, cuir	acier, cuir
Couleur	marron noir	orange , noir	orange , noir
dimensions du produit (L * L * H)	21 0* 21 0* 4 50mm	21 0* 21 0* 4 50mm	21 0* 21 0* 4 50mm
Taille de l'emballage (L * W * H)	480*205*140mm	480*205*140mm	480*205*180mm
Poids net / kg)	2.8	2.8	4.3
Poids brut (kg)	3.28	3.28	4.9
réglage de la hauteur (po)	13,2"-17"	13,2"-17"	13,2"-17"
Exposition de produits	Fig - A		

### INSPECTION DES GAFFES

Les grimpeurs (poteau et arbre) doivent avoir des gaffes correctement formées. Effectuez une inspection des gaffes avant chaque montée.

### AFFÛTAGE DES GAFFES

Ne meulez jamais les gaffes à l'aide d'un outil électrique, affûtez uniquement les

gaffes manuellement avec une lime plate.

Fixez fermement le grimpeur dans un étau (recommandation : enveloppez le grimpeur avec un matériau de protection pour éviter les rayures) avec le dessous de la gaffe exposé.

Utilisez une lime plate de 6 pouces le long de la surface de la gaffe en commençant par le talon et en tirant vers la pointe.

Ne procédez pas à des fichiers croisés.

Gardez la graisse du fichier sur la gaffe et nettoyez le fichier fréquemment.

Ne limez jamais la pointe de la gaffe sur la broderie. Une gaffe mal affûtée peut provoquer une coupure, une chute et des blessures graves, voire la mort.

Une fois terminé, effectuez le test de découpe du plan et du poteau.

### **DANGER ÉLECTRIQUE!**

Ne pas utiliser à proximité de lignes électriques sous tension, car ces grimpeurs sont conducteurs ! Ne pas utiliser de grimpeurs s'il y a des déformations de la tige, des gaffes ou des fixations. Lorsque les grimpeurs NE SONT PAS UTILISÉS, appliquez toujours des protecteurs de gaffes.

Ce produit est conçu pour grimper sur des poteaux et des arbres en bois et doit être utilisé uniquement avec un harnais, une longe et une ligne aérienne de survie.

### **TEMPÉRATURE**

Utilisez ce produit au-dessus d'un minimum de -15°C (5°F) et en dessous d'un maximum de +50°C (122°F)

### **POIDS DE L'UTILISATEUR**

Ce produit est limité à être utilisé par une personne pesant au maximum 350 livres lorsqu'il est entièrement équipé.

### **INSTRUCTIONS DE MONTAGE**

Les grimpeurs sont fabriqués conformément à la norme ASTM F887 avec une plage de réglage de la hauteur de 1 à 3 . 1/5 pouces (minimum) à 17 pouces (maximum).

Pour un maximum de confort, de performance et de sécurité, la hauteur du grimpeur doit être ajustée avant la première utilisation.

Fixez les sangles inférieures à l'anneau de sangle inférieur de manière à ce que la

partie boucle de la sangle soit tournée vers l'avant.

## MODE D'EMPLOI

Les grimpeurs doivent porter des chaussures de travail appropriées avec des tiges suffisamment solides dans la semelle des bottes.

Si elles ne sont pas installées, installez des sangles de pied inférieures avec un anneau fendu.

Sélectionnez un grimpeur droit ou gauche identifié par des marquages sur le brassard.

Montez dans le grimpeur et attachez solidement la sangle inférieure à vos chaussures.

Tirez fermement l'extrémité de la languette de la sangle à travers la boucle et fixez-la.

Faites passer l'extrémité libre de la sangle Velcro supérieure à travers la barre de serrage.

Tirez sur la sangle jusqu'à ce que le brassard repose fermement contre votre tibia.

Fixez l'extrémité libre autour du brassard et de la jambe, en assurant une connexion complète du crochet à la boucle.

## Liste de produits

Selon la configuration du modèle sélectionné « × » indique aucun et « ✓ » indique oui

Image				
-------	---	---	---	--

Modèle:	pointes d'escalade X2PCS	Harnais cuissards X1 PIÈCES	longes de maintien au travail X1 PIÈCES	Bandage X2PCS
CORDE-G-00 3	√	×	×	√
CORDE-G-00 4	√	×	×	√
CORDE-G-00 6	√	√	√	√

## **Description du produit**

### **AJUSTEMENT DE LA TAILLE (Fig. 1)**

Retirez le coussinet du brassard pour exposer les deux vis matérielles.

À l'aide d'une clé hexagonale, desserrez et retirez les vis permettant au brassard de monter ou de descendre.

En utilisant vos chaussures standard, placez le pied dans l'étrier en fer et fixez les sangles inférieures de la jambe autour du pied.

Faites glisser le brassard vers le haut ou vers le bas le long du fer jusqu'à ce que le bord supérieur du brassard se situe à environ 1 3/4 po (4,4 cm) sous le genou.

Marquez la hauteur désignée.

En maintenant le brassard en place, installez l'une des vis, revérifiez le réglage et installez la deuxième vis.

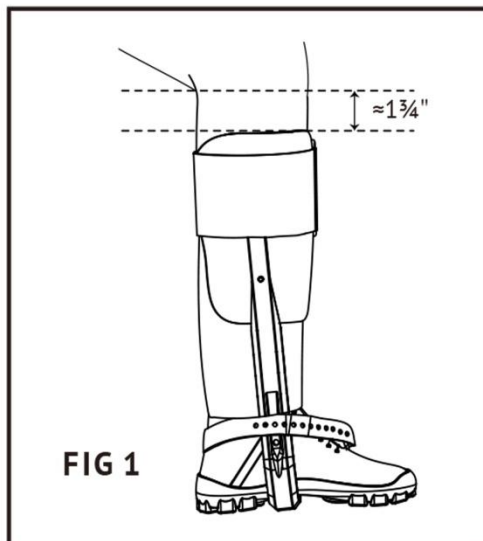
Repositionnez solidement le coussinet du brassard à l'intérieur du brassard.

Pour vérifier l'ajustement, pliez le genou à un angle de 90 degrés, le brassard doit être aussi haut que possible sur le tibia sans interférer avec la flexion de la jambe.

Répétez avec le deuxième grimpeur.

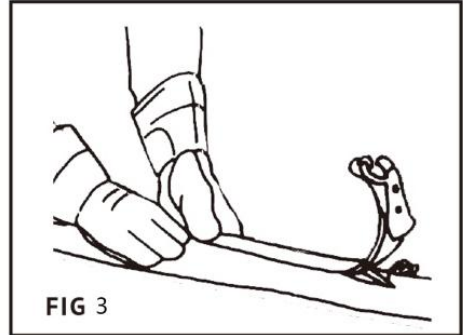
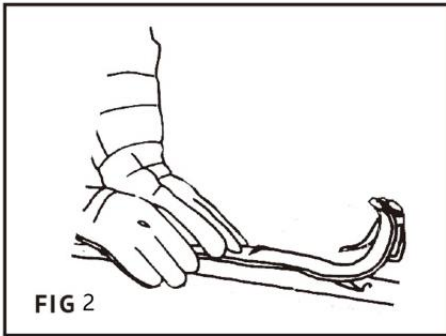
Ne pliez pas, ne coupez pas, ne percez pas et ne modifiez pas les grimpeurs.

Toute personne modifiant ce produit assume tous les risques liés à son utilisation.



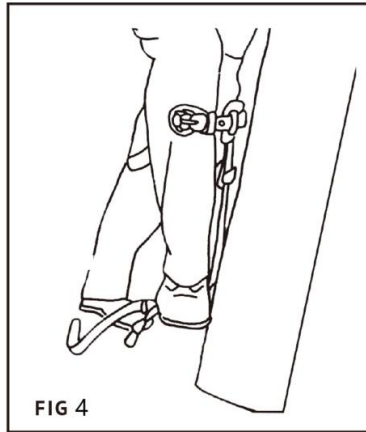
### TEST D'AVION SELON ASTM F887 (Fig 2 & 3 )

Ce test peut être utilisé pour déterminer que la gaffe est correctement formée et affûtée pour pénétrer correctement dans le poteau. Placez le grimpeur sur une planche plate et molle de pin ou de cèdre. En le tenant droit avec la tige parallèle à la surface de la planche, mais sans pression sur l'étrier, poussez le grimpeur vers l'avant le long de la planche comme indiqué sur la figure ci-dessous. Si la gaffe est correctement façonnée et affûtée et si l'angle de la gaffe avec le bois est suffisant, la pointe de la gaffe s'enfoncera dans le bois et commencera à tenir à une distance d'environ 1 po (2,54 cm). Si la gaffe grimpante glisse le long du bois sans creuser, ou laisse simplement une marque ou une rainure dans le bois comme le montre la figure ci-dessous, soit la gaffe n'est pas correctement affûtée et façonnée, soit l'angle de la gaffe est trop petit. L'angle de la gaffe est intégré au grimpeur par le fabricant et doit être compris entre 11 et 17 degrés avec le grimpeur placé parallèlement à la surface du bois.



### TEST DE COUPURE DE PÔLE SELON ASTM F887 (Fig 4 )

Cet essai doit être effectué sur une section de poteau traité dans une zone exempte de nœuds et de gerces. Placez le grimpeur sur votre jambe en tenant la manche avec votre main. Avec votre jambe à un angle d'environ 30° par rapport au poteau et votre pied à environ 12 po (30,5 cm) du sol. Enfoncez légèrement la gaffe dans le poteau jusqu'à une profondeur d'environ 1/4 po (6,4 mm). Maintenez suffisamment de pression sur l'étrier pour maintenir la gaffe dans le poteau, mais pas au point de faire pénétrer la gaffe plus profondément. Voir la figure ci-dessous. Rapprochez le grimpeur et votre main du poteau en déplaçant votre genou jusqu'à ce que la boucle de la sangle du manchon du grimpeur soit contre le poteau. Assurez-vous que la boucle de la sangle est maintenue contre le poteau avec la pression de votre jambe. Exercez progressivement une pleine pression de votre pied vers le bas sur l'étrier sans lever l'autre pied du sol, de manière à maintenir l'équilibre si la gaffe ne tient pas. Voir la figure ci-dessous. La pointe de la gaffe doit couper dans le bois et tenir (s'enfoncer) à une distance d'au plus 2 po (5,1 cm), mesurée à partir du point d'entrée de la gaffe dans le poteau jusqu'au bas de la coupe sur le surface du poteau.



## REPLACEMENT DE GAFFE

Avant de changer les gaffes, veuillez lire entièrement les instructions

### SUPPRESSION

Fixez fermement le grimpeur dans un étau (recommandation : enveloppez le grimpeur avec un matériau de protection pour éviter les rayures) avec les têtes de vis gaff tournées vers le haut.

Utilisation d'un embout ou d'une douille T40 tournez la vis gaffe dans le sens inverse des aiguilles d'une montre.

Si la vis est trop serrée et incapable de bouger, utilisez un sèche-cheveux pour chauffer la gaffe. Le chauffage aidera à desserrer l'adhésif Loctite.

Retirez complètement les deux vis de la gaffe.

## INSTALLATION

Localisez les nouvelles gaffes et le matériel.

Montez les nouvelles gaffes **UNIQUEMENT** à l'aide des vis de 20 mm et 25 mm fournies.

Utilisez une longueur de 20 mm pour le trou supérieur et de 25 mm pour le trou inférieur.

À l'aide d'un embout ou d'une douille T40, tournez la vis gaffe dans le sens des aiguilles d'une montre, ne sur serrer.

Si disponible, utilisez une clé dynamométrique pour régler le couple de 18,5 lb/pi.

## CONSEIL D'ENTRETIEN

La sève des arbres est très corrosive, pour éviter la corrosion de la pointe, nettoyez et huilez les gaffes après chaque utilisation.

**Fabricant** : Shanghaimuxinmuyeyouxiangongsi

**Adresse** : Shuangchenglu 803nong11hao1602A-1609shi, baoshanqu, Shanghai 200000 CN.

**Importé en Australie** : SIHAO PTY LTD. 1 ROKEVA STREETASTWOOD NSW 2122 Australie

**Importé aux États-Unis** : Sanven Technology Ltd. Suite 250, 9166 Anaheim

Lieu, Rancho Cucamonga, CA 91730

<b>EC</b>	<b>REP</b>
-----------	------------

E-CrossStu GmbH

Mainzer Landstr.69, 60329 Frankfurt am Main.

<b>UK</b>	<b>REP</b>
-----------	------------

YH CONSULTING LIMITED.

C/O YH Consulting Limited Office 147, Centurion House, London Road, Staines-upon-Thames, Surrey, TW18 4AX

**VEVOR**<sup>®</sup>

**TOUGH TOOLS, HALF PRICE**

**Technique Assistance et certificat de garantie électronique**

**[www.vevor.com/support](http://www.vevor.com/support)**