

# VEVOR<sup>®</sup>

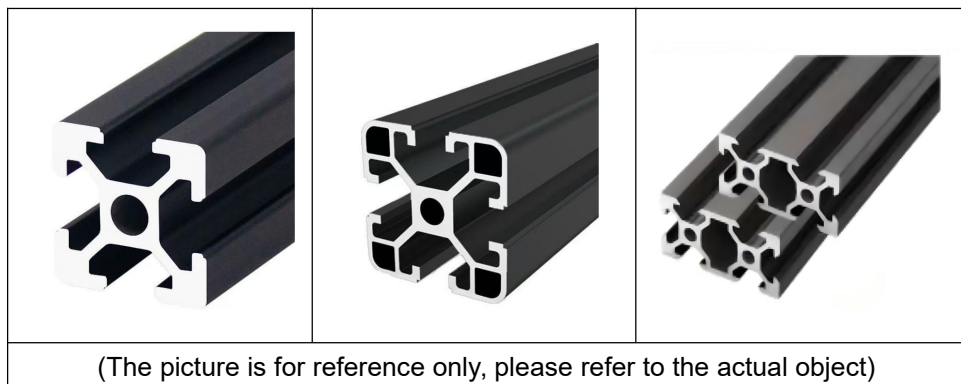
**TOUGH TOOLS, HALF PRICE**

Technical Support and E-Warranty Certificate [www.vevor.com/support](http://www.vevor.com/support)

## ALUMINIUM EXTRUSION LINEAR RAIL

### USER MANUAL

**MODEL:2020-120-4 / 2020-100-10 / 2020-120-10 / 2020-150-10 / 2020-200-10 / 4040-60-4  
/ 4040-100-4 / 2040-100-4 / 2040-100-5 / 2040-120-5 / 2040-150-5 / 2040-200-5**



(The picture is for reference only, please refer to the actual object)

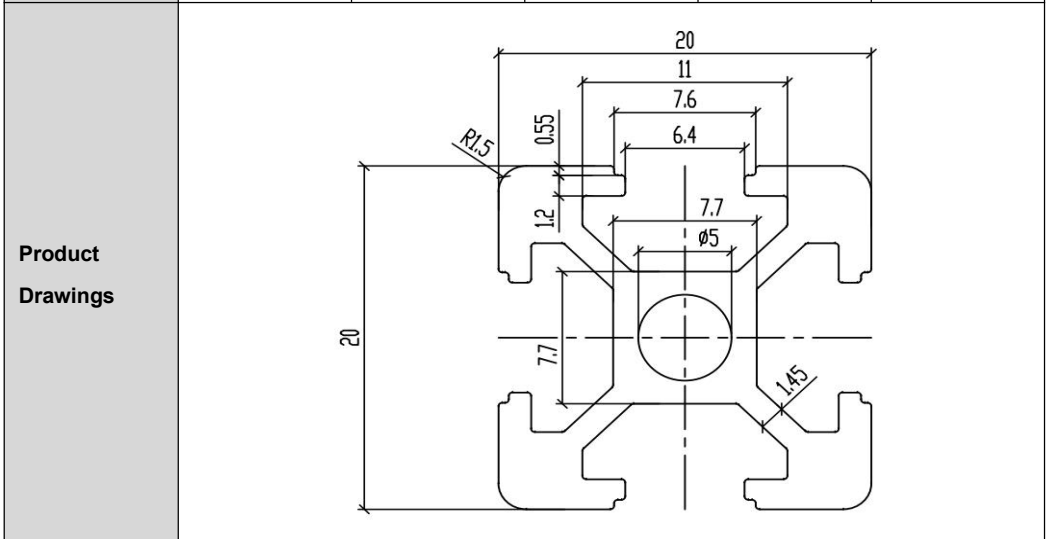
We continue to be committed to provide you tools with competitive price. "Save Half", "Half Price" or any other similar expressions used by us only represents an estimate of savings you might benefit from buying certain tools with us compared to the major top brands and does not necessarily mean to cover all categories of tools offered by us. You are kindly reminded to verify carefully when you are placing an order with us if you are actually saving half in comparison with the top major brands.

This is the original instruction, please read all manual instructions carefully before operating. VEVOR reserves a clear interpretation of our user manual. The appearance of the product shall be subject to the product you received. Please forgive us that we won't inform you again if there are any technology or software updates on our product.

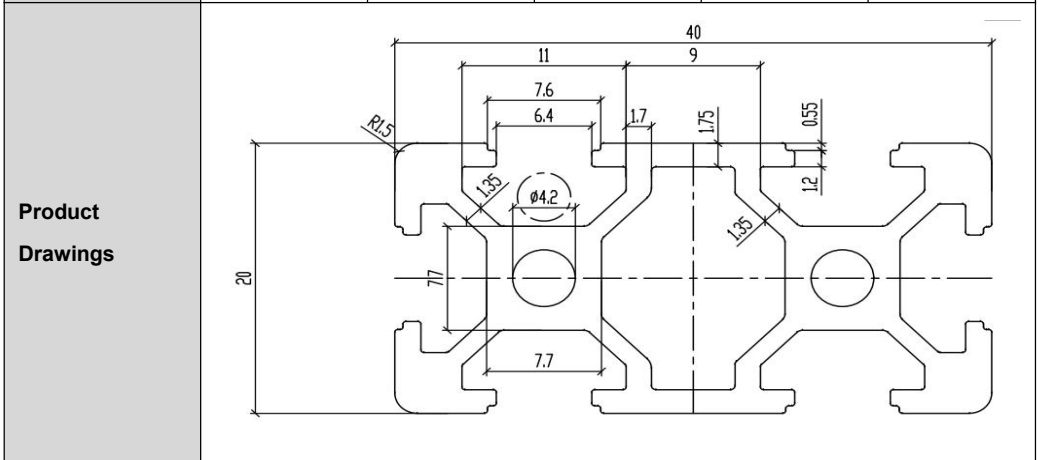



Warning-To reduce the risk of injury, user must read instructions manual carefully.

Product Model	2020-120-4	2020-100-10	2020-120-10	2020-150-10	2020-200-10
Product Specifications	2020	2020	2020	2020	2020
Product Length	1200mm	1000mm	1200mm	1500mm	2000mm
Number of Products	4pcs	10pcs	10pcs	10pcs	10pcs
Center Hole Size	Φ5	Φ5	Φ5	Φ5	Φ5
Net Weight of the Product	2.15kg	4.5kg	5.36kg	6.7kg	9.0kg
Product Dimensions	1200*20*20 mm	1000*20*20 mm	1200*20*20 mm	1500*20*20 mm	2000*20*20 mm
Product Accessories	1.Screw*9PCS 2.Nut * 9PCS 3.Connection Code *4PCS	1.Screw*21PCS 2.Nut * 21PCS 3.Connection Code*10PCS	1.Screw*21PCS 2.Nut * 21PCS 3.Connection Code*10PCS	1.Screw*21PCS 2.Nut * 21PCS 3.Connection Code*10PCS	1.Screw*21PCS 2.Nut * 21PCS 3.Connection Code*10PCS



Product Model	2040-100-4	2040-100-5	2040-120-5	2040-150-5	2040-200-5
Product Specifications	2040	2040	2040	2040	2040
Product Length	1000mm	1000mm	1200mm	1500mm	2000mm
Number of Products	4pcs	5pcs	5pcs	5pcs	5pcs
Center Hole Size	Φ4.2	Φ4.2	Φ4.2	Φ4.2	Φ4.2
Net Weight of the Product	3.15kg	3.95kg	4.73kg	5.92kg	7.73kg
Product Dimensions	1200*20*40mm	1200*20*40mm	1200*20*40mm	1200*20*40mm	1200*20*40mm
Product Accessories	/	/	/	/	/



 This product is subject to the provision of European Directive 2012/19/EC. The symbol showing a wheeled bin crossed through indicates that the product requires separate refuse collection in the European Union. This applies to the product and all accessories marked with this symbol. Products marked as such may not be discarded with normal domestic waste, but must be taken to a collection point for recycling electrical and electronic devices



# VEVOR®

## TOUGH TOOLS, HALF PRICE

Technique Certificat d'assistance et de garantie électronique

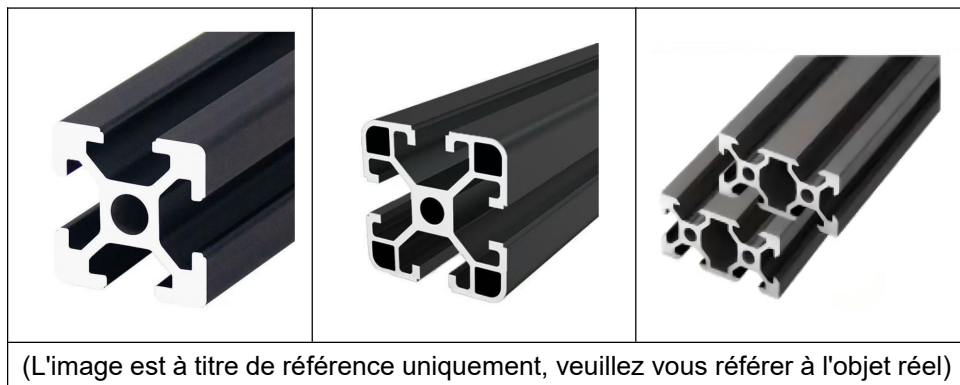
[www.vevor.com/support](http://www.vevor.com/support)

### RAIL LINÉAIRE EN EXTRUSION D'ALUMINIUM

### MANUEL D'UTILISATION

MODÈLE : 2020-120-4 / 2020-100-10 / 2020-120-10 / 2020-150-10 / 2020-200-10 /

4040-60-4 / 4040-100-4 / 2040-100-4 / 2040-100-5 / 2040-120-5 / 2040-150-5 / 2040-200-5



We continue to be committed to provide you tools with competitive price. "Save Half", "Half Price" or any other similar expressions used by us only represents an estimate of savings you might benefit from buying certain tools with us compared to the major top brands and does not necessarily mean to cover all categories of tools offered by us. You are kindly reminded to verify carefully when you are placing an order with us if you are actually saving half in comparison with the top major brands.

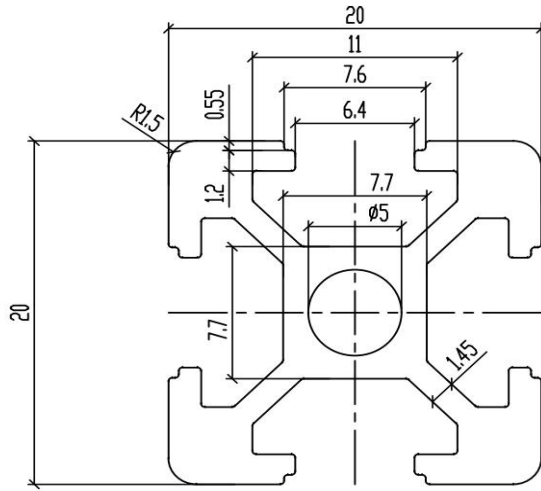
This is the original instruction, please read all manual instructions carefully before operating. VEVOR reserves a clear interpretation of our user manual. The appearance of the product shall be subject to the product you received. Please forgive us that we won't inform you again if there are any technology or software updates on our product.



Avertissement - Pour réduire le risque de blessure, l'utilisateur doit lire attentivement le manuel d'instructions.

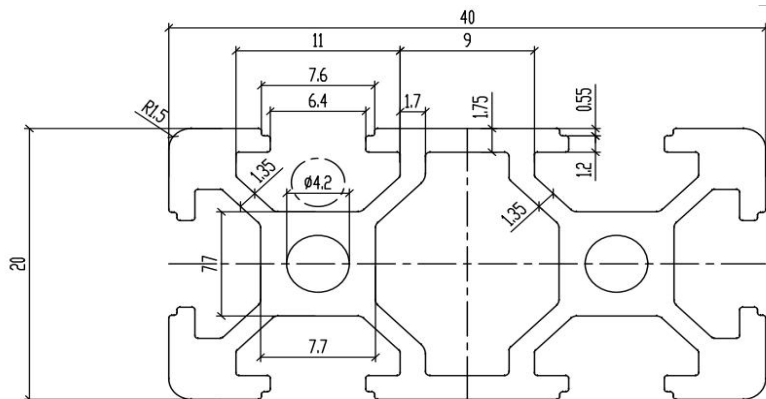
Modèle de produit	2020-120-4	2020-100-10	2020-120-10	2020-150-10	2020-200-10
Spécifications du produit	2020	2020	2020	2020	2020
Longueur du produit	1200 mm	1000 mm	1200 mm	1500 mm	2000 mm
Nombre de produits	4 pièces	10 pièces	10 pièces	10 pièces	10 pièces
Taille du trou central	Φ5	Φ5	Φ5	Φ5	Φ5
Poids net du produit	2,15 kg	4,5 kg	5,36 kg	6,7 kg	9,0 kg
Dimensions du produit	1200*20*20 mm	1000*20*20 mm	1200*20*20 mm	1500*20*20 mm	2000*20*20 mm
Accessoires de produits	1. Vis * 9 pièces 2. Écrou * 9 pièces 3. Code de connexion * 4 pièces	1. Vis * 21 pièces 2. Écrou * 21 pièces 3. Code de connexion * 10 pièces	1. Vis * 21 pièces 2. Écrou * 21 pièces 3. Code de connexion * 10 pièces	1. Vis * 21 pièces 2. Écrou * 21 pièces 3. Code de connexion * 10 pièces	1. Vis * 21 pièces 2. Écrou * 21 pièces 3. Code de connexion * 10 pièces

Dessins de produits



Modèle de produit	2040-100-4	2040-100-5	2040-120-5	2040-150-5	2040-200-5
Spécifications du produit	2040	2040	2040	2040	2040
Longueur du produit	1000 mm	1000 mm	1200 mm	1500 mm	2000 mm
Nombre de produits	4 pièces	5 pièces	5 pièces	5 pièces	5 pièces
Taille du trou central	Φ4.2	Φ4.2	Φ4.2	Φ4.2	Φ4.2
Poids net du produit	3,15 kg	3,95 kg	4,73 kg	5,92 kg	7,73 kg
Dimensions du produit	1200*20*40 mm	1200*20*40 mm	1200*20*40 mm	1200*20*40 mm	1200*20*40 mm
Accessoires de produits	/	/	/	/	/

Dessins de produits



Ce produit est soumis aux dispositions de la directive européenne 2012/19/CE. Le symbole représentant une poubelle à roulettes barrée indique que le produit doit faire l'objet d'une collecte sélective des déchets dans l'Union européenne. Cela s'applique au produit et à tous les accessoires marqués de ce symbole. Les produits marqués comme tels ne peuvent pas être jetés avec les déchets ménagers normaux, mais doivent être déposés dans un point de collecte pour le recyclage des appareils électriques et électroniques.



# VEVOR®

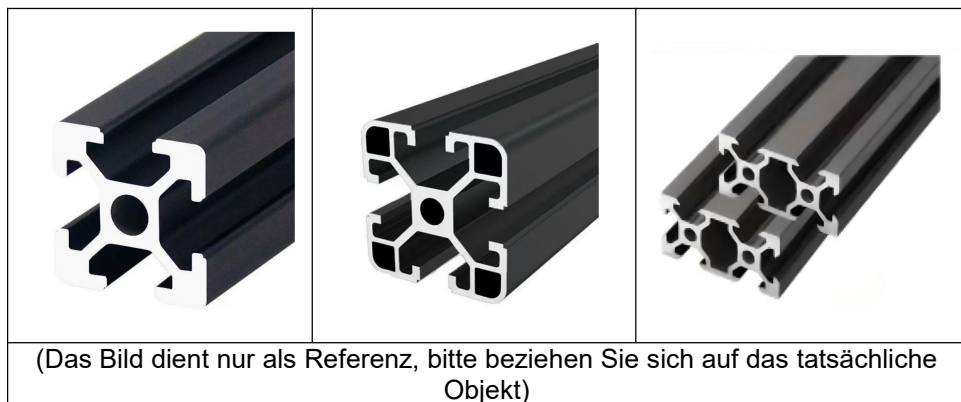
## TOUGH TOOLS, HALF PRICE

Technisch Support und E-Garantie-Zertifikat [www.vevor.com/support](http://www.vevor.com/support)

### LINEARSCHIENE AUS EXTRUDIERTEM ALUMINIUM BENUTZERHANDBUCH

MODELL: 2020-120-4 / 2020-100-10 / 2020-120-10 / 2020-150-10 / 2020-200-10 /

4040-60-4 / 4040-100-4 / 2040-100-4 / 2040-100-5 / 2040-120-5 / 2040-150-5 / 2040-200-5



We continue to be committed to provide you tools with competitive price. "Save Half", "Half Price" or any other similar expressions used by us only represents an estimate of savings you might benefit from buying certain tools with us compared to the major top brands and does not necessarily mean to cover all categories of tools offered by us. You are kindly reminded to verify carefully when you are placing an order with us if you are actually saving half in comparison with the top major brands.

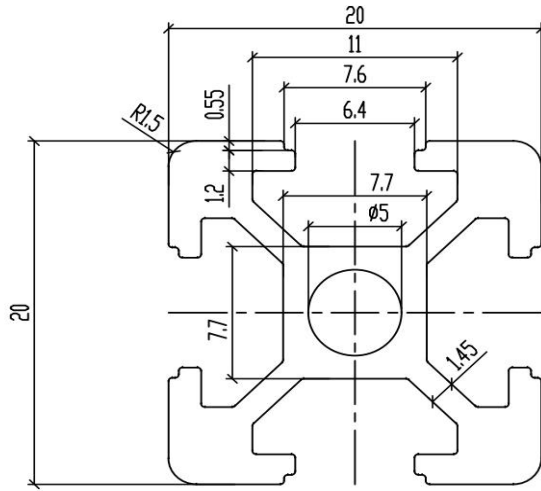
This is the original instruction, please read all manual instructions carefully before operating. VEVOR reserves a clear interpretation of our user manual. The appearance of the product shall be subject to the product you received. Please forgive us that we won't inform you again if there are any technology or software updates on our product.



Warnung: Um das Verletzungsrisiko zu verringern, muss der Benutzer die Bedienungsanleitung sorgfältig lesen.

Produktmodell	2020-120-4	2020-100-10	2020-120-10	2020-150-10	2020-200-10
Produktspezifikationen	2020	2020	2020	2020	2020
Produktlänge	1200 mm	1000 mm	1200 mm	1500 mm	2000 mm
Anzahl der Produkte	4 Stück	10 Stück	10 Stück	10 Stück	10 Stück
Größe des Mittellochs	Φ5	Φ5	Φ5	Φ5	Φ5
Nettogewicht des Produkts	2,15 kg	4,5 kg	5,36 kg	6,7 kg	9,0 kg
Technische Daten	1200 x 20 x 20 mm	1000 x 20 x 20 mm	1200 x 20 x 20 mm	1500 x 20 x 20 mm	2000 x 20 x 20 mm
Produktzubehör	1. Schraube * 9 Stück 2. Mutter * 9 Stück 3. Verbindungsschode * 4 Stück	1. Schraube * 21 Stück 2. Mutter * 21 Stück 3. Verbindungsschode * 10 Stück	1. Schraube * 21 Stück 2. Mutter * 21 Stück 3. Verbindungsschode * 10 Stück	1. Schraube * 21 Stück 2. Mutter * 21 Stück 3. Verbindungsschode * 10 Stück	1. Schraube * 21 Stück 2. Mutter * 21 Stück 3. Verbindungsschode * 10 Stück

**Produktzeichnungen**



Produktmodell	Nr. 2040-100-4	Nr. 2040-100-5	Nr. 2040-120-5	Nr. 2040-150-5	Nr. 2040-200-5
Produktspezifikationen	2040	2040	2040	2040	2040
Produktlänge	1000 mm	1000 mm	1200 mm	1500 mm	2000 mm
Anzahl der Produkte	4 Stück	5 Stück	5 Stück	5 Stück	5 Stück
Größe des Mittelochs	$\text{Ø}4.2$	$\text{Ø}4.2$	$\text{Ø}4.2$	$\text{Ø}4.2$	$\text{Ø}4.2$
Nettogewicht des Produkts	3,15 kg	3,95 kg	4,73 kg	5,92 kg	7,73 kg
Technische Daten	1200*20*40 mm	1200*20*40 mm	1200*20*40 mm	1200*20*40 mm	1200*20*40 mm
Produktzubehör	/	/	/	/	/



Produktmodell	4040-60-4	4040-100-4	Produktzeichnungen
Produktspezifikationen	4040	4040	
Produktlänge	600 mm	1000 mm	
Anzahl der Produkte	4 Stück	4 Stück	
Größe des Mittellochs	Φ6.8	Φ6.8	
Nettogewicht des Produkts	2,15 kg	4,5 kg	
Technische Daten	600 x 40 x 40 mm	1000 x 40 x 40 mm	
Produktzubehör	/	/	

**Hersteller:** Shanghaimuxinmuyeyouxiangongsi

**Adresse:** Shuangchenglu 803nong11hao1602A-1609shi, baoshanqu, Shanghai 200000 CN.

**Nach AUS importiert:** SIHAO PTY LTD, 1 ROKEVA STREETEASTWOOD NSW 2122 Australien

**Importiert in die USA:** Sanven Technology Ltd., Suite 250, 9166 Anaheim Place, Rancho Cucamonga, CA 91730

EC	REP
----	-----

E-CrossStu GmbH  
Mainzer Landstr.69, 60329 Frankfurt am Main.

UK	REP
----	-----

YH CONSULTING LIMITED.  
C/O YH Consulting Limited Office 147, Centurion House,  
London Road, Staines-upon-Thames, Surrey, TW18 4AX

# VEVOR<sup>®</sup>

## TOUGH TOOLS, HALF PRICE

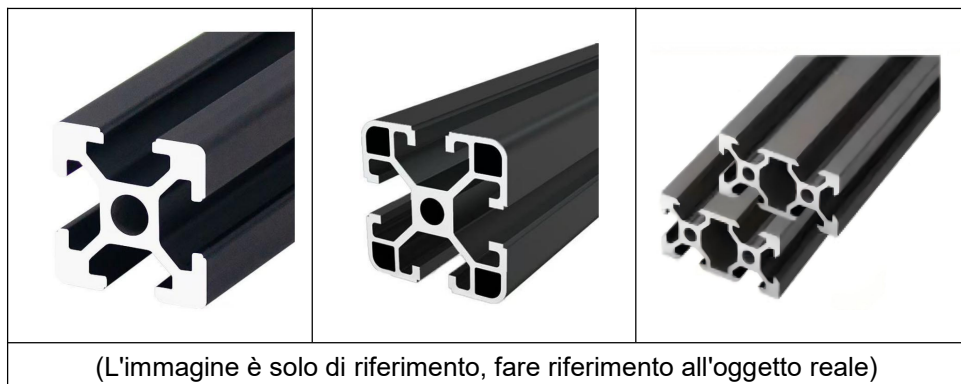
Tecnico Supporto e certificato di garanzia elettronica [www.vevor.com/support](http://www.vevor.com/support)

### GUIDA LINEARE IN ESTRUSIONE DI ALLUMINIO

### MANUALE D'USO

MODELLO: 2020-120-4 / 2020-100-10 / 2020-120-10 / 2020-150-10 / 2020-200-10 /

4040-60-4 / 4040-100-4 / 2040-100-4 / 2040-100-5 / 2040-120-5 / 2040-150-5 / 2040-200-5



We continue to be committed to provide you tools with competitive price. "Save Half", "Half Price" or any other similar expressions used by us only represents an estimate of savings you might benefit from buying certain tools with us compared to the major top brands and does not necessarily mean to cover all categories of tools offered by us. You are kindly reminded to verify carefully when you are placing an order with us if you are actually saving half in comparison with the top major brands.

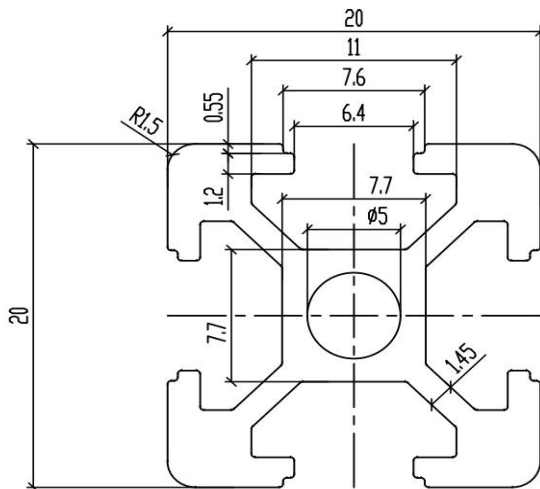
This is the original instruction, please read all manual instructions carefully before operating. VEVOR reserves a clear interpretation of our user manual. The appearance of the product shall be subject to the product you received. Please forgive us that we won't inform you again if there are any technology or software updates on our product.



Attenzione: per ridurre il rischio di lesioni, l'utente deve leggere attentamente il manuale di istruzioni.

Modello del prodotto	2020-120-4	2020-100-10	2020-120-10	2020-150-10	2020-200-10
Specifiche del prodotto	2020	2020	2020	2020	2020
Lunghezza del prodotto	1200mm	1000mm	1200mm	1500mm	2000mm
Numero di prodotti	4 pezzi	10 pezzi	10 pezzi	10 pezzi	10 pezzi
Dimensione del foro centrale	Φ5	Φ5	Φ5	Φ5	Φ5
Peso netto del prodotto	2,15 kg	4,5 kg	5,36 kg	6,7 kg	9,0 kg
Dimensioni del prodotto	1200*20*20 mm	1000*20*20 mm	1200*20*20 mm	1500*20*20 mm	2000*20*20 mm
Accessori del prodotto	1. Vite * 9 pezzi 2. Dado * 9 pezzi 3. Codice di connessione * 4 pezzi	1. Vite * 21 PZ 2. Dado * 21 PZ 3. Codice di connessione * 10 PZ	1. Vite * 21 PZ 2. Dado * 21 PZ 3. Codice di connessione * 10 PZ	1. Vite * 21 PZ 2. Dado * 21 PZ 3. Codice di connessione * 10 PZ	1. Vite * 21 PZ 2. Dado * 21 PZ 3. Codice di connessione * 10 PZ

Disegni del  
prodotto



Modello del prodotto	2040-100-4	2040-100-5	2040-120-5	2040-150-5	2040-200-5
Specifiche del prodotto	2040	2040	2040	2040	2040
Lunghezza del prodotto	1000mm	1000mm	1200mm	1500mm	2000mm
Numero di prodotti	4 pezzi	5 pezzi	5 pezzi	5 pezzi	5 pezzi
Dimensione del foro centrale	Φ4.2	Φ4.2	Φ4.2	Φ4.2	Φ4.2
Peso netto del prodotto	3,15 kg	3,95 kg	4,73 kg	5,92 kg	7,73 kg
Dimensioni del prodotto	1200*20*40 millimetri	Dimensioni: 1200*20*40 mm	Dimensioni: 1200*20*40 mm	Dimensioni: 1200*20*40 mm	Dimensioni: 1200*20*40 mm
Accessori del prodotto	/	/	/	/	/



Modello del prodotto	4040-60-4	4040-100-4	Disegni del prodotto
Specifiche del prodotto	4040	4040	
Lunghezza del prodotto	600mm	1000mm	
Numero di prodotti	4 pezzi	4 pezzi	
Dimensione del foro centrale	Φ6.8	Φ6.8	
Peso netto del prodotto	2,15 kg	4,5 kg	
Dimensioni del prodotto	600*40*40 mm	1000*40*40 mm	
Accessori del prodotto	/	/	

**Produttore:** Shanghaimuxinmuyeyouxiangongsi

**Indirizzo:** Shuangchenglu 803nong11hao1602A-1609shi, baoshanqu, shanghai 200000 CN.

**Importato in AUS:** SIHAO PTY LTD, 1 ROKEVA STREETEASTWOOD NSW 2122 Australia

**Importato negli USA:** Sanven Technology Ltd., Suite 250, 9166 Anaheim Place, Rancho Cucamonga, CA 91730

<b>EC</b>	<b>REP</b>
-----------	------------

E-CrossStu GmbH  
Mainzer Landstr.69, 60329 Frankfurt am Main.

<b>UK</b>	<b>REP</b>
-----------	------------

YH CONSULTING LIMITED.  
C/O YH Consulting Limited Office 147, Centurion House,  
London Road, Staines-upon-Thames, Surrey, TW18 4AX

# VEVOR<sup>®</sup>

## TOUGH TOOLS, HALF PRICE

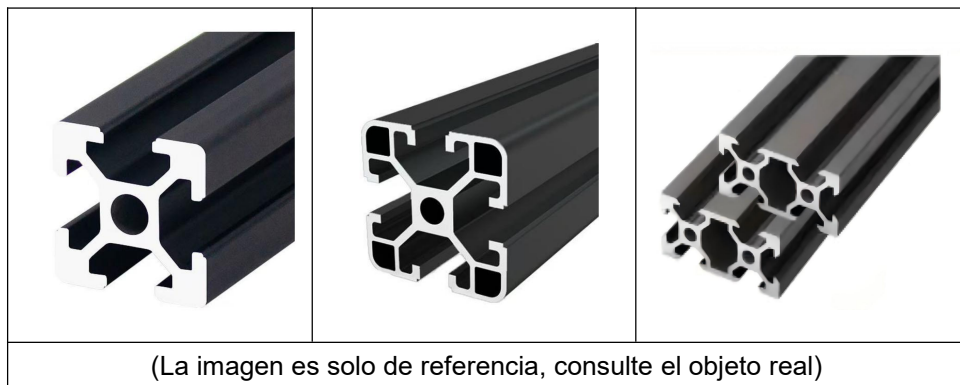
Técnico Soporte y certificado de garantía electrónica [www.vevor.com/support](http://www.vevor.com/support)

### RIEL LINEAL DE EXTRUSIÓN DE ALUMINIO

#### MANUAL DEL USUARIO

MODELO: 2020-120-4 / 2020-100-10 / 2020-120-10 / 2020-150-10 / 2020-200-10 /

4040-60-4 / 4040-100-4 / 2040-100-4 / 2040-100-5 / 2040-120-5 / 2040-150-5 / 2040-200-5



We continue to be committed to provide you tools with competitive price. "Save Half", "Half Price" or any other similar expressions used by us only represents an estimate of savings you might benefit from buying certain tools with us compared to the major top brands and does not necessarily mean to cover all categories of tools offered by us. You are kindly reminded to verify carefully when you are placing an order with us if you are actually saving half in comparison with the top major brands.

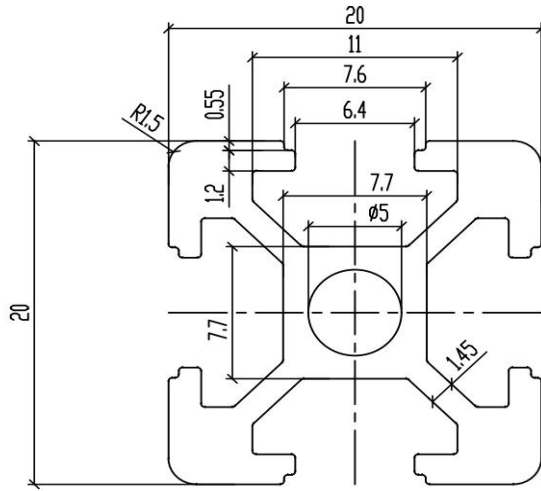
This is the original instruction, please read all manual instructions carefully before operating. VEVOR reserves a clear interpretation of our user manual. The appearance of the product shall be subject to the product you received. Please forgive us that we won't inform you again if there are any technology or software updates on our product.



Advertencia: Para reducir el riesgo de lesiones, el usuario debe leer atentamente el manual de instrucciones.

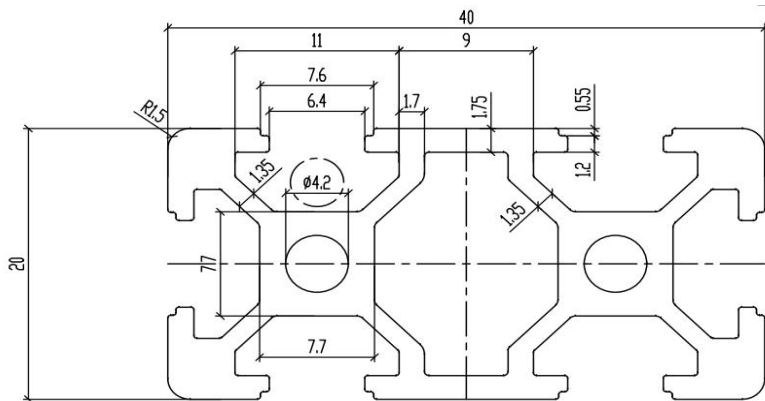
Modelo del producto	2020-120-4	10 de octubre de 2020	10 de diciembre de 2020	15/10/2020	2020-200-10
Especificaciones del producto	2020	2020	2020	2020	2020
Longitud del producto	1200 mm	1000 milímetros	1200 mm	1500 milímetros	2000 milímetros
Número de productos	4 piezas	10 piezas	10 piezas	10 piezas	10 piezas
Tamaño del orificio central	Φ5	Φ5	Φ5	Φ5	Φ5
Peso neto del producto	2,15 kilos	4,5 kilos	5,36 kg	6,7 kilos	9,0 kilogramos
Dimensiones del producto	1200*20*20 mm	1000*20*20 mm	1200*20*20 mm	1500*20*20 mm	2000*20*20 mm
Accesorios del producto	1.Tornillo * 9 piezas 2.Tuerca * 9 piezas 3.Código de conexión * 4 piezas	1.Tornillo * 21 piezas 2.Tuerca * 21 piezas 3.Código de conexión * 10 piezas	1.Tornillo * 21 piezas 2.Tuerca * 21 piezas 3.Código de conexión * 10 piezas	1.Tornillo * 21 piezas 2.Tuerca * 21 piezas 3.Código de conexión * 10 piezas	1.Tornillo * 21 piezas 2.Tuerca * 21 piezas 3.Código de conexión * 10 piezas

Dibujos de productos



Modelo del producto	2040-100-4	2040-100-5	2040-120-5	2040-150-5	2040-200-5
Especificaciones del producto	2040	2040	2040	2040	2040
Longitud del producto	1000 milímetros	1000 milímetros	1200 mm	1500 milímetros	2000 milímetros
Número de productos	4 piezas	5 piezas	5 piezas	5 piezas	5 piezas
Tamaño del orificio central	Φ4.2	Φ4.2	Φ4.2	Φ4.2	Φ4.2
Peso neto del producto	3,15 kilos	3,95 kilos	4,73 kilos	5,92 kilos	7,73 kilos
Dimensiones del producto	1200*20*40 mm	1200*20*40 mm	1200*20*40 mm	1200*20*40 mm	1200*20*40 mm
Accesorios del producto	/	/	/	/	/

Dibujos de productos



Este producto está sujeto a las disposiciones de la Directiva Europea 2012/19/CE. El símbolo que muestra un contenedor de basura tachado indica que el producto requiere una recogida selectiva de residuos en la Unión Europea. Esto se aplica al producto y a todos los accesorios marcados con este símbolo. Los productos marcados como tales no pueden desecharse con los residuos domésticos normales, sino que deben llevarse a un punto de recogida para reciclar dispositivos eléctricos y electrónicos.

Modelo del producto	4040-60-4	4040-100-4	Dibujos de productos
Especificaciones del producto	4040	4040	
Longitud del producto	600 mm	1000 milímetros	
Número de productos	4 piezas	4 piezas	
Tamaño del orificio central	Φ6.8	Φ6.8	
Peso neto del producto	2,15 kilos	4,5 kilos	
Dimensiones del producto	600*40*40 mm	1000*40*40 mm	
Accesorios del producto	/	/	

**Fabricante:** Shanghaimuxinmuyeyouxiangongsi

**Dirección:** Shuangchenglu 803nong11hao1602A-1609shi, baoshanqu, shanghai 200000 CN.

**Importado a AUS:** SIHAO PTY LTD, 1 ROKEVA STREETEASTWOOD NSW 2122 Australia

**Importado a EE. UU.:** Sanven Technology Ltd., Suite 250, 9166 Anaheim Place, Rancho Cucamonga, CA 91730

EC	REP
----	-----

E-CrossStu GmbH  
Mainzer Landstr.69, 60329 Frankfurt am Main.

UK	REP
----	-----

YH CONSULTING LIMITED.  
C/O YH Consulting Limited Office 147, Centurion House,  
London Road, Staines-upon-Thames, Surrey, TW18 4AX

# VEVOR<sup>®</sup>

## TOUGH TOOLS, HALF PRICE

Techniczny Wsparcie i certyfikat gwarancji elektronicznej

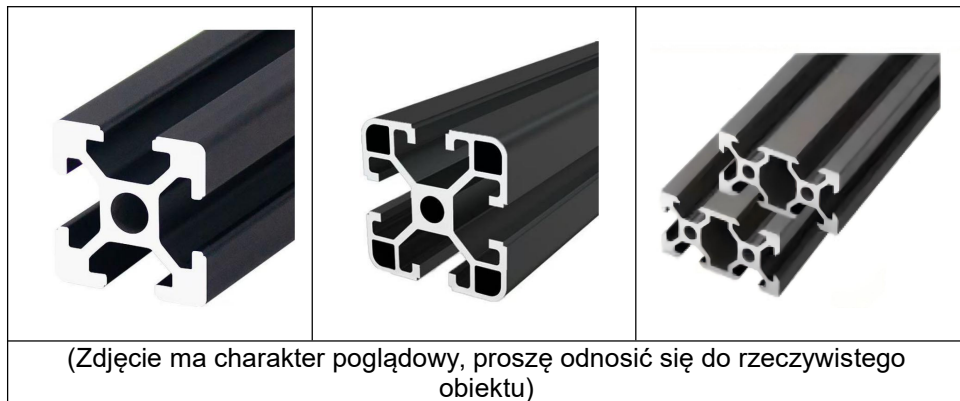
[www.vevor.com/support](http://www.vevor.com/support)

### ALUMINIOWA SZYNA LINIOWA WYTŁACZANA

#### INSTRUKCJA OBSŁUGI

MODELE: 2020-120-4 / 2020-100-10 / 2020-120-10 / 2020-150-10 / 2020-200-10 /

4040-60-4 / 4040-100-4 / 2040-100-4 / 2040-100-5 / 2040-120-5 / 2040-150-5 / 2040-200-5



We continue to be committed to provide you tools with competitive price. "Save Half", "Half Price" or any other similar expressions used by us only represents an estimate of savings you might benefit from buying certain tools with us compared to the major top brands and does not necessarily mean to cover all categories of tools offered by us. You are kindly reminded to verify carefully when you are placing an order with us if you are actually saving half in comparison with the top major brands.

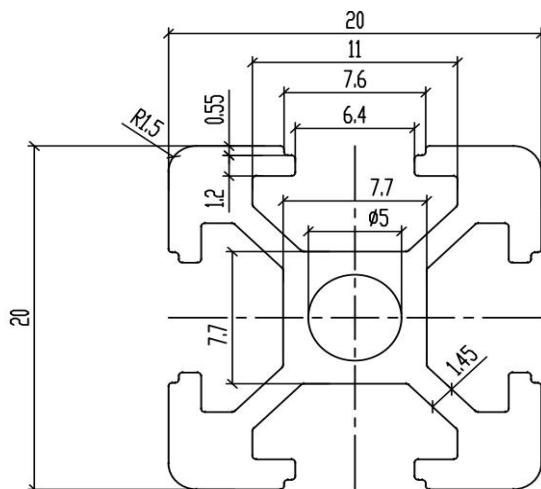
This is the original instruction, please read all manual instructions carefully before operating. VEVOR reserves a clear interpretation of our user manual. The appearance of the product shall be subject to the product you received. Please forgive us that we won't inform you again if there are any technology or software updates on our product.



**Ostrzeżenie:** Aby zminimalizować ryzyko obrażeń, użytkownik powinien uważnie przeczytać instrukcję obsługi.

Model produktu	2020-120-4	2020-100-10	2020-120-10	2020-150-10	2020-200-10
Specyfikacja produktu	2020	2020	2020	2020	2020
Długość produktu	1200 mm	1000 mm	1200 mm	1500 mm	2000 mm
Liczba produktów	4 szt.	10 szt.	10 szt.	10 szt.	10 szt.
Rozmiar otworu centralnego	Φ5	Φ5	Φ5	Φ5	Φ5
Masa netto produktu	2,15 kg	4,5 kg	5,36 kg	6,7 kg	9,0 kg
Wymiary produktu	1200*20*20 mm	1000*20*20 mm	1200*20*20 mm	1500*20*20 mm	2000*20*20 mm
Akcesoria do produktów	1. Śruba * 9 sztuk 2. Nakrętka * 9 sztuk 3. Kod połączenia * 4 sztuki	1. Śruba * 21 SZT. 2. Nakrętka * 21 SZT. 3. Kod połączenia * 10 SZT.	1. Śruba * 21 SZT. 2. Nakrętka * 21 SZT. 3. Kod połączenia * 10 SZT.	1. Śruba * 21 SZT. 2. Nakrętka * 21 SZT. 3. Kod połączenia * 10 SZT.	1. Śruba * 21 SZT. 2. Nakrętka * 21 SZT. 3. Kod połączenia * 10 SZT.

Rysunki  
produktów



Model produktu	2040-100-4	2040-100-5	2040-120-5	2040-150-5	2040-200-5
Specyfikacja produktu	2040	2040	2040	2040	2040
Długość produktu	1000 mm	1000 mm	1200 mm	1500 mm	2000 mm
Liczba produktów	4 szt.	5 szt.	5 szt.	5 szt.	5 szt.
Rozmiar otworu centralnego	Φ4.2	Φ4.2	Φ4.2	Φ4.2	Φ4.2
Masa netto produktu	3,15 kg	3,95 kg	4,73 kg	5,92 kg	7,73 kg
Wymiary produktu	1200*20*40 mm	1200*20*40 mm	1200*20*40 mm	1200*20*40 mm	1200*20*40 mm
Akcesoria do produktów	/	/	/	/	/



Model produktu	4040-60-4	4040-100-4	Rysunki produktów
Specyfikacja produktu	4040	4040	
Długość produktu	600 mm	1000 mm	
Liczba produktów	4 szt.	4 szt.	
Rozmiar otworu centralnego	Φ6,8	Φ6,8	
Masa netto produktu	2,15 kg	4,5 kg	
Wymiary produktu	600*40*40 mm	1000*40*40 mm	
Aksesoria do produktów	/	/	

**Producent:** Shanghaimuxinmuyeyouxiangongsi

**Adres:** Shuangchenglu 803nong11hao1602A-1609shi, baoshanqu, szanghaj 200000 CN.

**Importowane do AUS:** SIHAO PTY LTD, 1 ROKEVA STREETEASTWOOD NSW 2122 Australia

**Importowane do USA:** Sanven Technology Ltd., Suite 250, 9166 Anaheim Place, Rancho Cucamonga, CA 91730

EC	REP
----	-----

E-CrossStu GmbH  
Mainzer Landstr.69, 60329 Frankfurt am Main.

UK	REP
----	-----

YH CONSULTING LIMITED.  
C/O YH Consulting Limited Office 147, Centurion House,  
London Road, Staines-upon-Thames, Surrey, TW18 4AX

# VEVOR<sup>®</sup>

## TOUGH TOOLS, HALF PRICE

Technisch Ondersteuning en E-garantiecertificaat [www.vevor.com/support](http://www.vevor.com/support)

### ALUMINIUM EXTRUSIE LINEAIRE RAIL

### GEBRUIKERSHANDLEIDING

MODEL: 2020-120-4 / 2020-100-10 / 2020-120-10 / 2020-150-10 / 2020-200-10 /

4040-60-4 / 4040-100-4 / 2040-100-4 / 2040-100-5 / 2040-120-5 / 2040-150-5 / 2040-200-5



We continue to be committed to provide you tools with competitive price. "Save Half", "Half Price" or any other similar expressions used by us only represents an estimate of savings you might benefit from buying certain tools with us compared to the major top brands and does not necessarily mean to cover all categories of tools offered by us. You are kindly reminded to verify carefully when you are placing an order with us if you are actually saving half in comparison with the top major brands.

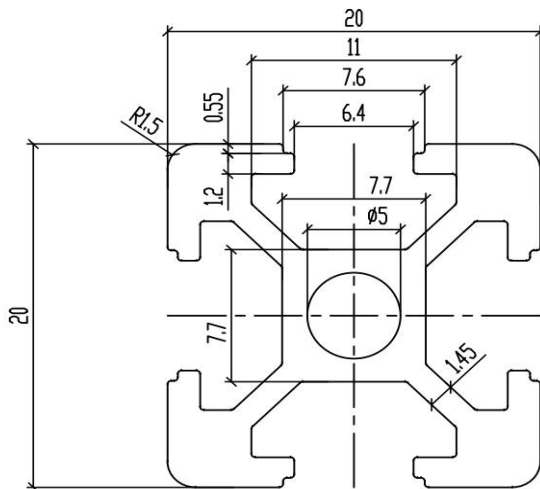
This is the original instruction, please read all manual instructions carefully before operating. VEVOR reserves a clear interpretation of our user manual. The appearance of the product shall be subject to the product you received. Please forgive us that we won't inform you again if there are any technology or software updates on our product.



Waarschuwing: om het risico op letsel te verkleinen, moet de gebruiker de gebruiksaanwijzing zorgvuldig lezen.

Productmodel	2020-120-4	2020-100-10	2020-120-10	2020-150-10	2020-200-10
Productspecificaties	2020	2020	2020	2020	2020
Productlengte	1200mm	1000mm	1200mm	1500mm	2000mm
Aantal producten	4 stuks	10 stuks	10 stuks	10 stuks	10 stuks
Middengatmaat	Φ5	Φ5	Φ5	Φ5	Φ5
Nettogewicht van het product	2,15 kg	4,5 kg	5,36 kg	6,7 kg	9,0 kg
Productafmetingen	1200*20*20 mm	1000*20*20 mm	1200*20*20 mm	1500*20*20 mm	2000*20*20 mm
Productaccessoires	1.Schroef * 9PCS 2.Moer * 9PCS 3.Verbindingscode * 4PCS	1.Schroef*21PCS 2.Moer*21PCS 3.Verbindingscode*10PCS	1.Schroef*21PCS 2.Moer*21PCS 3.Verbindingscode*10PCS	1.Schroef*21PCS 2.Moer*21PCS 3.Verbindingscode*10PCS	1.Schroef*21PCS 2.Moer*21PCS 3.Verbindingscode*10PCS

**Producttekeningen**



Productmodel	2040-100-4	2040-100-5	2040-120-5	2040-150-5	2040-200-5
Productspecificaties	2040	2040	2040	2040	2040
Productlengte	1000mm	1000mm	1200mm	1500mm	2000mm
Aantal producten	4 stuks	5 stuks	5 stuks	5 stuks	5 stuks
Middengatmaat	$\text{Ø}4.2$	$\text{Ø}4.2$	$\text{Ø}4.2$	$\text{Ø}4.2$	$\text{Ø}4.2$
Nettogewicht van het product	3,15 kg	3,95 kg	4,73 kg	5,92 kg	7,73 kg
Productafmetingen	1200*20*40mm	1200*20*40mm	1200*20*40mm	1200*20*40mm	1200*20*40mm
Productaccessoires	/	/	/	/	/



Productmodel	4040-60-4	4040-100-4	Producttekeningen
Productspecificaties	4040	4040	
Productlengte	600mm	1000mm	
Aantal producten	4 stuks	4 stuks	
Middengatmaat	Φ6.8	Φ6.8	
Nettogewicht van het product	2,15 kg	4,5 kg	
Productafmetingen	600*40*40 mm	1000*40*40 mm	
Productaccessoires	/	/	

**Fabrikant:** Shanghaimuxinmuyeyouxiangongsi

**Adres:** Shuangchenglu 803nong11hao1602A-1609shi, baoshanqu, shanghai 200000 CN.

**Geïmporteerd naar AUS:** SIHAO PTY LTD, 1 ROKEVA STREETEASTWOOD NSW 2122 Australië

**Geïmporteerd naar de VS:** Sanven Technology Ltd., Suite 250, 9166 Anaheim Place, Rancho Cucamonga, CA 91730

<b>EC</b>	<b>REP</b>
-----------	------------

E-CrossStu GmbH  
Mainzer Landstr.69, 60329 Frankfurt am Main.

<b>UK</b>	<b>REP</b>
-----------	------------

YH CONSULTING LIMITED.  
C/O YH Consulting Limited Office 147, Centurion House,  
London Road, Staines-upon-Thames, Surrey, TW18 4AX

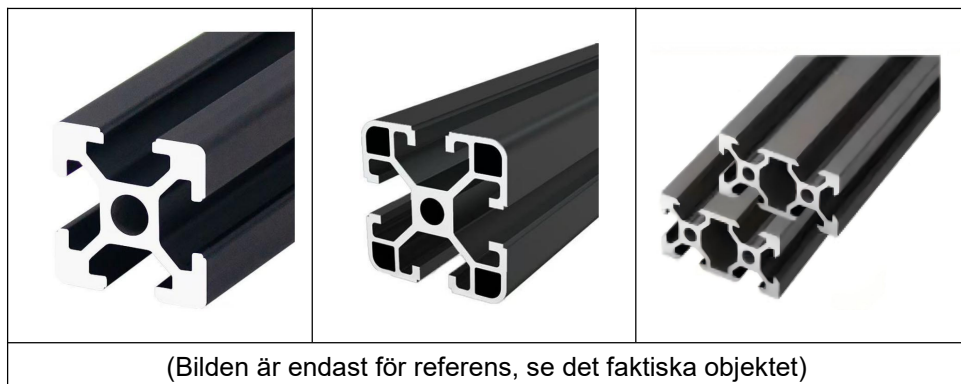
# VEVOR®

## TOUGH TOOLS, HALF PRICE

Teknisk Support och e-garanticertifikat [www.vevor.com/support](http://www.vevor.com/support)

### LINJÄR STRÄNGPRESSAD ALUMINIUMSKENA ANVÄNDARMANUAL

MODELL: 2020-120-4 / 2020-100-10 / 2020-120-10 / 2020-150-10 / 2020-200-10 /  
4040-60-4 / 4040-100-4 / 20040-100 /-5 2040-120-5 / 2040-150-5 / 2040-200-5



We continue to be committed to provide you tools with competitive price. "Save Half", "Half Price" or any other similar expressions used by us only represents an estimate of savings you might benefit from buying certain tools with us compared to the major top brands and does not necessarily mean to cover all categories of tools offered by us. You are kindly reminded to verify carefully when you are placing an order with us if you are actually saving half in comparison with the top major brands.

This is the original instruction, please read all manual instructions carefully before operating. VEVOR reserves a clear interpretation of our user manual. The appearance of the product shall be subject to the product you received. Please forgive us that we won't inform you again if there are any technology or software updates on our product.





Produktmodell	4040-60-4	4040-100-4	Produkt ritningar
Produktspecifikation	4040	4040	
Produktens längd	600 mm	1000 mm	
Antal produkter	4 st	4 st	
Mitthålsstorlek	Φ6.8	Φ6.8	
Produktens nettovikt	2,15 kg	4,5 kg	
Produktens mått	600*40*40 mm	1000*40*40 mm	
Produkt tillbehör	/	/	

**Tillverkare:** Shanghai muxinmuyeyouxiangongsi

**Adress:** Shuangchenglu 803nong11hao1602A-1609shi, baoshanqu, shanghai 200000 CN.

**Importerad till AUS:** SIHAO PTY LTD, 1 ROKEVA STREET EASTWOOD NSW 2122 Australien

**Importerad till USA:** Sanven Technology Ltd., Suite 250, 9166 Anaheim Place, Rancho Cucamonga, CA 91730

<b>EC</b>	<b>REP</b>
-----------	------------

E-CrossStu GmbH  
Mainzer Landstr.69, 60329 Frankfurt am Main.

<b>UK</b>	<b>REP</b>
-----------	------------

YH CONSULTING LIMITED.  
C/O YH Consulting Limited Office 147, Centurion House,  
London Road, Staines-upon-Thames, Surrey, TW18 4AX