

Refrigerator रेफ्रिजरेटर

Operating Instruction Manual

Frost Free

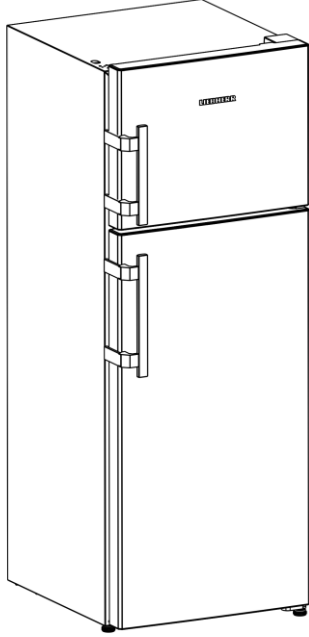
प्रयोग मार्गदर्शिका

फ्रॉस्ट फ्री



English

हिंदी



7754385 - 00

TC..24..-..., TC..27..-..., TD..31..-..., TD..42..-...

LIEBHERR

For Enquiries, Please Call 7038-100-400 or write to customercare.lhi@liebherr.com

आगे की पूछ ताछ के लिए, 7038-100-400 (कस्टमर केयर) नंबर पर कॉल करे या customercare.lhi@liebherr.com ईमेल करें।

Thank You for Purchasing LIEBHERR

We are honoured that you have chosen us and we value your trust in our company. We believe in constantly upgrading and improving facilities & products, hence model design & specification are subject to change without any prior notice. To get to know all the benefits of your new appliance, please read the information mentioned in this manual carefully.

Note :-

- > Product images in this manual are for representation purpose only.
- > **TC..24..27..TD..31..42..** denotes model numbers which varies as per variant instructions / features relating only to specific models are marked with asterisk (*).

लीभेर का रेफ्रिजरेटर खरीदने के लिए आपका धन्यवाद ।

हम सम्मानित हैं कि आपने हमें चुना और हम अपनी कंपनी में आपके विश्वास का आदर करते हैं । हम निरंतर सुधार करने और उत्पादों और सुविधाओं को बेहतर बनाने में विश्वास रखते हैं, इसीलिए बिना किसी अग्रिम सूचना के मॉडल डिजाईन और विनिर्देशों में परिवर्तन किया जा सकता है। अपने नए उपकरण के सभी लाभ जानने के लिए इस मार्गदर्शन पुस्तिका में बतायी गयी सभी जानकारी ध्यानपूर्वक पढ़ें ।

सूचना :-

- > इस मार्गदर्शन पुस्तिका में रेफ्रिजरेटर के दिखाए गए सभी चित्र केवल वर्णन के उद्देश्य से ही हैं ।
- > **TC..24..27..TD..31..42..** यह मॉडल नंबर सूचित करते हैं जो प्रकार के अनुसार बदल सकते हैं । केवल किसी विशिष्ट मॉडल से सम्बंधित अनुदेशों / विशेषताओं को तारांकन (*) द्वारा दर्शाया गया है ।

Contents

1. Appliance at a Glance	1
1.1 Description of appliance & Equipment	1
1.2 Range of Appliance use	2
1.3 External Dimensions of the appliance	2
1.4 Saving Energy	2
2. General Safety Information	2
3. Putting into Operation	3
3.1 Transporting the appliance	3
3.2 Installing the appliance	3
3.3 Disposing of packaging	4
3.4 Appliance Leveling & leg adjustment	5
3.5 Connecting the appliance	5
4. Temperature setting & control	5
4.1 Food refrigeration	5
4.2 Freezer compartment	5
4.3.1 Setting the Temperature	5
4.3.2 Controls and Door Alarm	6
4.4 Adjusting Glass Shelf	6
4.5 Moving Door rack	6
4.6 Ice making	6
- Using Ice maker Assembly	6
4.7 Door locking	6
4.8 Hot to cool	7

5. Maintenance	7
5.1 Defrosting with Frost Free Refrigerator	7
5.2 Cleaning the appliance	7
5.3 Customer Service	7
6. Troubleshooting	8
7. Decommissioning	8
7.1 Switching off the appliance	8
7.2 Taking the appliance out of service	8
8. Disposing of the appliance	8

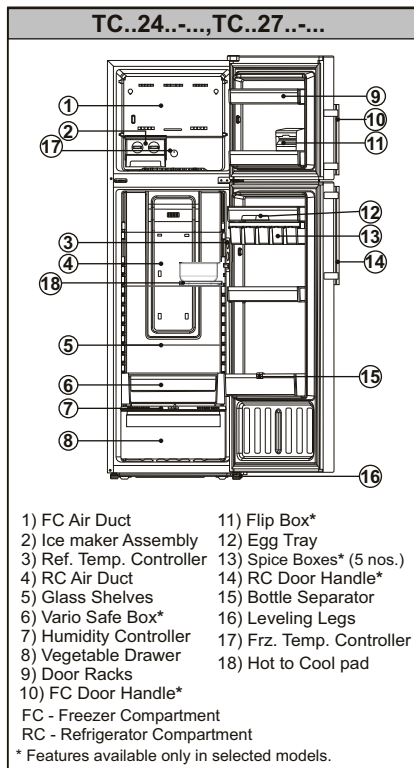
1. Appliance at a glance

1.1 Description of appliance and equipment

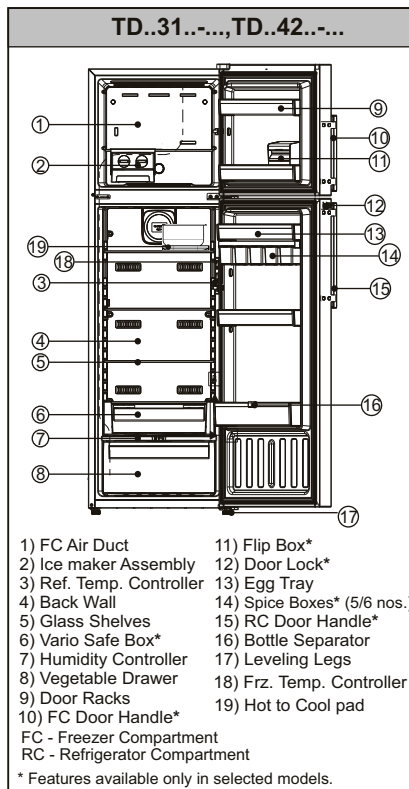
Note

- ▶ Place / store food in upright condition to prevent any spillage.
- ▶ Shelves, drawers and baskets are arranged for optimum energy efficiency before leaving our manufacturing facility.

For Frost Free Refrigerator



For FF Duo Cool Refrigerator



1.2 Range of appliance use

The appliance is suitable solely for cooling food in a domestic environment or similar. Use the appliance solely as is customary within a domestic environment. All other types of use are not permitted & make cause warranty to be void (refer warranty T & C's for more details). The appliance is not suitable for storing and cooling medicines, blood plasma, laboratory preparations or similar substances and products. Misuse of the appliance can deteriorate or spoil the stored food items. Furthermore, the appliance is not suitable for operation in potentially explosive atmospheres. The appliance is set to operate within specific ambient temperature limits according to its climate rating. Refer below table and information regarding various climate rating and relevant rating for your product.

Note

- ▶ Refrigerator should be used within the indicated ambient temperature range otherwise the cooling performance is reduced.

Climate rating	for ambient temperatures of
SN	10°C to 32°C
N	16°C to 32°C
ST	16°C to 38°C
T	16°C to 43°C
SN-T	10°C to 43°C

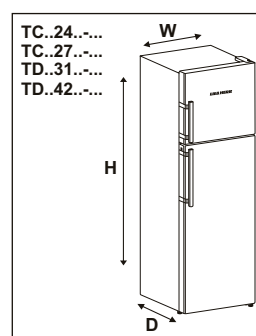
For climate rating, net weight, refrigerant quantity and electrical rating of your refrigerator model, please refer circuit diagram sticker on the backside of the refrigerator.

1.3 External dimensions of the appliance

Model	Dimensions		
	W	D	H
TC..24..-...	595/597	676/716	1495
TC..27..-...	595/597	676/716	1595
TD..31..-...	595/597	676/716	1850
TD..42..-...	706	782	1850

Note

- ▶ Above mentioned dimensions are measured from extreme surfaces of product as shown in below image and are subjected to change as per variant.



1.4 Saving energy

Always ensure good ventilation.

- Do not place appliance in areas of direct sunlight or next to a stove, heater or similar object.
- The energy consumption depends on the installation conditions, e.g. the ambient temperature.
- Limit the frequency and time of door opening to minimum for better energy efficiency.
- Ensure that all food is well packed and covered for storage. This will prevent frost formation.
- Empty and switch off refrigerating unit for longer vacation periods.

2 General Safety Information

Danger for the user:

This appliance is not designed for persons (including children) with physical or mental impairment or persons not having sufficient experience and knowledge, unless they are instructed in the use of the appliance and are initially supervised by a person responsible for their safety. Keep children under supervision to ensure they do not play with the appliance.

- When disconnecting the appliance, make sure that electric supply is turned off. Always take hold of the plug while pulling plug out of the socket. Do not pull the cable.
- In the event of a fault, turn off the power supply.

- Do not damage the mains power cable. Do not operate the appliance with a defective mains power cable.
- The power socket where refrigerator is plugged in must be provided with proper earth connection and suitable safety provisions such as Fuse / MCB.
- Do not extend or modify the power cable length, damage power cable may cause electric shock or damage the unit.
- Any repairs or change in the appliance must be carried out by authorised service personnel only.
- Install and connect the appliance only as instructed.
- Please keep these instructions in a safe place and pass them on to any subsequent owners.

Fire hazard:

- The refrigerant R 600a is environmentally friendly but flammable. Leaking refrigerant may ignite.
 - Do not damage the refrigerant circuit pipes.
 - Do not allow naked flames or ignition sources to enter the appliance.
 - Do not use any electrical appliances in the interior (e.g. steam cleaners, heaters, ice cream maker etc.)
 - If refrigerant leaks : remove any naked flames or sources of ignition from the leakage area. Ventilate the room well. Notify the customer service.
- Do not store explosives or sprays containing combustible propellants such as butane, propane, pentane, etc. in the appliances. To identify these spray cans, look for the contents printed on the can, or a flame symbol. Gases in the refrigerator possibly escaping may ignite due to electrical components.
- Keep burning candles, lamps and other items with naked flames away from the appliance.
- Always store high-percentage alcohol in tightly sealed, upright containers.




Danger of tipping and falling:

- Do not misuse the plinth, drawers, doors, shelves etc. as a step or for support. This applies particularly to children.

Danger of frostbite, numbness and pain:

- Avoid lasting skin contact with cold surfaces or refrigerated / frozen food or take protective steps, e.g. wear gloves. Do not consume ice cream, water ice or ice cubes immediately after taking out of the refrigerator and do not consume them too cold.

Please observe the specific information in sections:

	DANGER	identifies a situation involving direct danger which, if not obviated, may result in death or severe bodily injury.
	WARNING	identifies a dangerous situation which, if not obviated, may result in death or severe bodily injury.
	CAUTION	identifies a dangerous situation which, if not obviated, may result in minor or medium bodily injury.
	NOTICE	identifies a dangerous situation which, if not obviated, may result in damage to property.
	NOTE	identifies useful information and tips.

3 Putting into operation

3.1 Transporting the appliance

 **CAUTION**

Risk of injury and danger of damage as a result of incorrect transport !

- ▶ Transport the appliance in a packed condition.
- ▶ Transport the appliance upright.
- ▶ Do not transport the appliance without assistance.

3.2 Installing the appliance

NOTE

- ▶ After Transporting the appliance, we recommend to keep appliance in a stand still position for minimum 8 hours. Run the appliance empty for minimum 3 hours before storing food items.

Do not try to install door handle(s)* by yourself. Get your door handle(s)* installed by service personnel only.

 **WARNING**

Fire hazard due to dampness!
If live parts or the mains plug become damp this may cause short circuits.



- ▶ The appliance is designed for use in enclosed areas. Do not operate the appliance outdoors or in areas where it is exposed to water or damp conditions.

 **WARNING**

Risk of fire due to short circuit!
If the mains cable/connector of the appliance or of another appliance touch the rear of the appliance, the mains cable/connector may be damaged by the appliance vibrations, leading to a short circuit.

- ▶ Stand the appliance so that it is not touched by connectors or main cables.
- ▶ Do not plug the appliance plug or any others plugs into sockets located near the rear of the appliance.

 **WARNING**

Fire hazard due to refrigerant!
The refrigerant R600a is environmentally friendly but flammable. Leaking refrigerant may ignite.

- ▶ Do not damage the piping of the refrigeration circuit.

 **WARNING**

Fire hazard and danger of damage!

- ▶ Do not place appliances emitting heat e.g. microwaves, toasters etc. near the appliance.

 **WARNING**

Blocked ventilation openings pose a risk of fire and damage!

- ▶ Always keep the ventilation openings clear. Always ensure that the appliance is properly ventilated!

NOTICE

Risk of damage due to condensate!

- ▶ Do not install the appliance directly alongside a further refrigerator/freezer.

- In the event that the appliance damaged, contact service immediately. Do not connect power plug to the mains.
- The floor at which refrigerator is to be kept must be flat & in level.
- Do not install the appliance in a location where it is exposed to direct radiation of the sun, next to a cooker, heater, microwave oven and similar appliances.
- Always stand the appliance with its back directly to the wall.

- The appliance must be moved only when it is empty & switched off.
- Do not install the appliance without assistance.
- Standard EN 378 specifies that the room in which you install your appliance must have a volume of 1m³ per 8g of R 600a refrigerant used in the appliance, if the room in which the appliance is installed is too small, a flammable gas-air mixture may form in the event of a leakage in the refrigeration circuit. The quantity of refrigerant used in your appliance is indicated on the circuit diagram sticker at the backside of the appliance.

3.3 Disposing of Packaging

 **WARNING**

Danger of suffocation due to packing material and plastic film !

- ▶ Do not allow children to play with packing material.

The packaging is made of following recyclable materials :

- corrugated board/cardboard
- expanded polystyrene parts
- polythene bags and sheets
- polypropylene straps

NOTICE

The Refrigerator doors are provided with a high-quality surface coating and must be cleaned using non corrosive cleaning agent. Do not wipe the door with too much pressure as it may lead to scratches / damages.

- ▶ Wipe the coated door surfaces using a soft, clean micro fiber cloth only.
- ▶ Apply a stainless steel cleaner to the stainless steel side surface evenly, wiping with the grain. As a result cleaning becomes easier.
- ▶ Wipe side walls with a paint finish using a soft, clean cloth only.
- ▶ Remove all transit supports.
- ▶ Align the appliance so that it stands firmly and on a level by adjusting the legs given at the bottom of refrigerator.

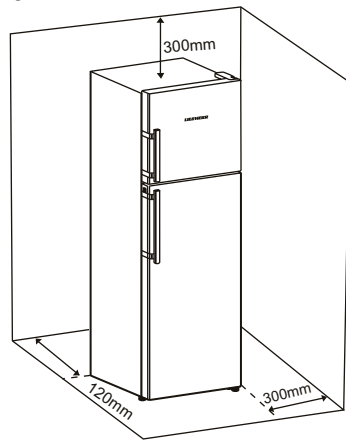
Important for the ventilation:

- At the back of the stack cabinet there has to be a ventilation area of at least 120mm depth throughout the width of the stack cabinet from its extreme back surface.
- There has to be at least 300mm gap from Both sides of Refrigerator surface and side wall.
- The ventilation gap over the top has to be at least 300mm.

- The larger the ventilation space, the more energy-saving the appliance is in operation.

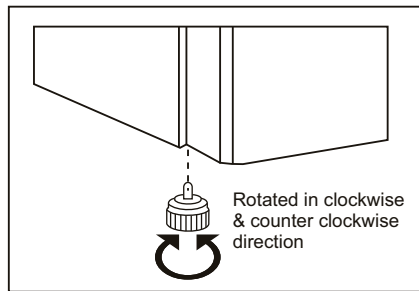
If the appliance is installed in a very damp environment, condensation may form on the outside of the appliance.

- ▶ Always see to good ventilation near the refrigerator.



3.4 Appliance Leveling & Leg adjustment

Align appliance so that it stands firmly and in level by rotating adjustable leveling legs provided at the front bottom corners of the refrigerator (see appliance at a glance) in clockwise and counter clockwise direction as shown below.



3.5 Connecting the appliance

NOTICE

Risk of damage to the electronic control system!

- ▶ We do not suggest use of stand-alone inverters (conversion of DC to AC/ three-phase) or energy saving plugs.

WARNING

Fire and overheating hazard!

- ▶ Do not use extension cables or multiple socket outlets.

The recommended type of current (alternating current) and voltage for the refrigerator must confirm with the data on the circuit diagram.

The power socket where refrigerator is plugged in must be provided with proper earth connection and suitable safety provisions such as Fuse / MCB.

It must be easily accessible so that the appliance can be quickly disconnected from the supply in an emergency.

- ▶ Check the electrical connection.
- ▶ Plug in the power plug.

4 Temperature Setting & Control

4.1 Food refrigeration

NOTE

The energy consumption increases and the cooling performance decreases if the ventilation is inadequate.

- ▶ Always keep the air duct openings free.

- ▶ Do not store food too close to each other or near to the duct opening to enable good air circulation.

- ▶ To safeguard bottles from tipping over : adjust the bottle separator.

4.2 Freezer compartment

You can store frozen food, make ice cubes and freeze fresh food in the freezer compartment.

The product sticker indicates the freezing capacity of refrigerator under "Freezing capacity ... kg/24h".

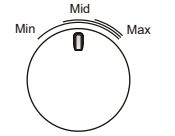
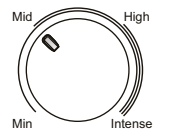
4.3.1 Setting the temperature

The temperature depends on the following factors:

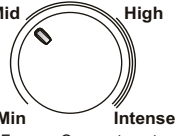
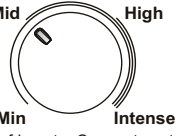
- the door opening frequency
- the room temperature at the site where the appliance is installed

- the type, temperature and quantity of frozen food considering above factors, user have to adjust temperature settings as per requirement.

For TC..24..-...,TC..27..-...

 <p style="text-align: center;">Freezer Compartment Temperature Setting Knob</p>	 <p style="text-align: center;">Refrigerator Compartment Temperature Setting Knob</p>
---	--

For TD..31..-...,TD..42..-...

 <p style="text-align: center;">Freezer Compartment Temperature Setting Knob</p>	 <p style="text-align: center;">Refrigerator Compartment Temperature Setting Knob</p>
---	--

Manufacturer defined settings are shown in above pictures. But depending on requirement, user can change settings. Otherwise please refer Temperature Control Guideline sticker* provided on the inner side of door in freezer compartment.

- Use "Intense" setting in case of high cooling need in Refrigerator Compartment.

4.3.2 Controls & Door Alarm

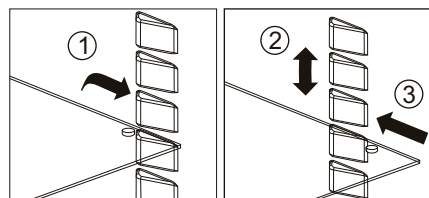
For Different settings and Issues Refrigerator will make different sounds. Below are the list of sounds Refrigerator makes and their meaning.

TC..24..-...,TC..27..-...,TD..31..-...,TD..42..-...	
No. of Beeps	Meaning
1 Beep	Low Voltage Alarm (Less than 160V)
3 Beeps	Door Open Alarm (More than 90 sec.)
4 Beeps	Sensor Failure Alarm

4.4 Adjusting Glass Shelf *

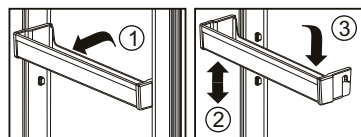
To adjust glass shelves depending on storage requirement -

- 1) Lift the shelf slightly and draw it out forwards.
- 2) Move the shelf upward or downward depend on requirement.
- 3) Move shelf backward until it rest on back side of wall.



4.5 Moving door rack

Remove door rack according to illustration.



To adjust door rack depending on storage requirement -

- 1) Lift the rack slightly and pull it out .
- 2) Move the rack upward or downward depend on requirement upto provided rest button.
- 3) Move rack inside and slide it downward until it rest on rest button.

⚠ CAUTION

Risk of injury due to broken glass!

Bottles and cans containing drinks may burst when being frozen.

This applies particularly to sparkling drinks.

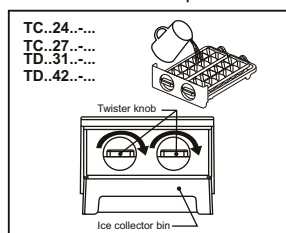
- ▶ Do not freeze bottles and cans containing drinks!

4.6 Ice Making

Note : Please fill up water inside Ice tray upto sufficient water level for trouble free dispensing of Ice cubes while twisting.

- Using Ice maker Assembly*

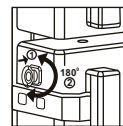
- Fill up the Ice Trays with water up to water level and place it in Ice maker assembly.
- Ice making time depends on defined temperature setting.
- Hold twister knob and rotate in clockwise direction to dispense ice cubes into the bin.
- Pull out bin to use dispensed ice cubes.



4.7 Door locking*

For TD..42..-...

For locking & unlocking door (s), (1) push the lock key inside the lock and (2) rotate it by 180° in counter clockwise direction to unlock and in clockwise direction to lock the door(s).



4.8 Hot to Cool *



Place Hot Milk Steel Pot only on Hot to cool pad in the refrigerator compartment.

For TC..24,27..- right side on Top 2nd Glass shelf

For TD..31,42..- right side on Top Glass shelf

- ▶ There may be slight condensation inside refrigerator after putting hot milk pot till temperature stabilizes.
- ▶ Best usable condition is manufacturer defined setting as shown in 4.3.1

*Conditions Apply - Based on standard internal testing method. Tested for 1L Hot Milk inside a stainless steel pot, demonstrating its functionality within this specific tested scenario. Users are advised to adhere recommended usage guidelines provided.

5 Maintenance

5.1 Defrosting with Frost Free Refrigerator

The Frost Free system automatically defrost the appliance and defrost water goes to the defrost water tray.

The defrost water from water tray evaporates. Drops of water on the rear wall are perfectly normal.

5.2 Cleaning the appliance



CAUTION

Risk of injury and damage as a result of hot steam! Hot steam may damage the surfaces and cause burns.

- ▶ Do not use any steam cleaners!

NOTICE

Incorrect cleaning damages the appliance!

- ▶ Do not use cleaning agents in concentrated form.
- ▶ Do not use any abrasive sponges or steel wool.
- ▶ Please do not use any aggressive, abrasive, sand-, chloride-, chemical- or acid-based cleaning agents.
- ▶ Do not use chemical solvents.
- ▶ Do not pull off, bend or damage cables or other components.

- ▶ Do not damage or remove the product sticker on the inside of the appliance. It is important for the customer service.
- ▶ Do not allow any cleaning water to enter the drain channel, ventilation grille or electrical parts.
- ▶ Please use soft cleaning cloths and a universal pH-neutral cleaning agent.
- ▶ Please use food grade cleaning and care products in the appliance interior for cleaning.

- ▶ **Switch off Refrigerator mains supply.**

- ▶ **Pull out the power plug.**

- ▶ **Empty appliance.**

- ▶ Clean **plastic outer and inner surfaces** with soft clean cloth soaked in lukewarm water and a little washing-up liquid.

- ▶ Clean **glass shelves and interior accessories** with soft clean cloth soaked in lukewarm water and a little washing-up liquid.

After cleaning:

- ▶ Wipe dry the appliance and **interior accessories with dry soft cloth.**

- ▶ Connect the appliance and switch it on again.

- ▶ When the temperature is sufficiently cold: Put the food back inside.

5.3 Customer service

First observe the problem and please contact the customer care number.

7038-100-400



WARNING

Risk of injury if repair work is not carried out professionally!

Please contact service personnel only.

- ▶ Read the appliance (1) Model Nos., and (2) serial No. on the product sticker located on the appliance at the left top side. (As shown in below fig. for reference purpose only)



- ▶ Notify the customer service, specifying the fault, appliance model No., service No. and serial No.

- ▶ This will help us to provide you with a faster and more accurate service.

- ▶ Keep the appliance closed until the customer service arrives.
- ▶ In case of fire & shock risk disconnect the power supply (not by pulling the connecting cable).

NOTE

Minor condensation or frosting on back wall, and glass shelf is normal. This is due to humidity of air inside freezer compartment. Minor condensation or formation of few water droplets on glass shelves or duct wall in refrigerator compartment is normal this is due to humidity of air inside refrigerator compartment.

6 Troubleshooting

Your appliance is designed and manufactured for a long life span and reliable operation. If a malfunction nonetheless occurs during operation, check whether it is due to a handling error. In this case you will have to be charged for the costs incurred, even during the warranty period. You may be able to rectify the following faults yourself:

Appliance does not work.

- The appliance is not switched on.
- ▶ Switch on the appliance.
- The power plug is not properly inserted in the wall socket.
- ▶ Check power plug.

The compressor runs for a long time.

→ The compressor switches to a low speed depending on requirement. Although the running time is increased as a result, energy is saved.

- ▶ This is normal in energy-saving models.

Excessive noise.

→ Speed-controlled* compressors may produce varying running noise due to different speed steps.

- ▶ The sound is normal.

A bubbling and gurgling noise.

→ This noise comes from the refrigerant flowing in the refrigeration circuit.

- ▶ The sound is normal.

A low hum.

→ The sound is produced by air flow noise of the fan*.

- ▶ The sound is normal.

Vibratory noise.

→ The appliance is not fixed to the ground. The running of the cooling unit therefore makes objects and adjacent furniture vibrate.

- ▶ Adjust appliance via the height-adjustable legs.

- ▶ Move bottles and containers apart.

The outside surfaces of the appliance are warm

→ The heat of the refrigeration circuit is used to prevent condensation.

- ▶ This is normal.

The temperature is not cold enough.

→ The door of the appliance is not properly closed.

- ▶ Close the door of the appliance.

→ Insufficient ventilation.

- ▶ Clear ventilation windows.

The appliance was opened too frequently or for too long.

- ▶ Wait until the appliance reaches the required temperature itself. If not, contact the customer service.

7 Decommissioning

7.1 Switching off the appliance

- ▶ Switch off the main power supply.
- ▶ Wait until the external temperature of refrigerator becomes ambient (equal to room temperature).

7.2 Taking the appliance out of service

- ▶ Pull out the power plug.
- ▶ Empty the appliance.
- ▶ Clean the appliance.
- ▶ Leave the door open to prevent odour.

8 Disposing of the appliance

The appliance contains some reusable materials and should be disposed of properly. Appliances which are no longer needed must be disposed of in a professional and appropriate way, in accordance with the current local regulations and laws as per guidelines of the Central Government of India, E-Waste (Management) Rules 2022 have been notified.

When disposing of the appliance, ensure that the refrigeration circuit is not damaged to prevent uncontrolled leaking of the refrigerant and oil.

- ▶ Disable the appliance.
- ▶ Pull out the plug.
- ▶ Cut through the connecting cable.



For more details regarding disposing of the appliance, please read LIEBHERR's E-Waste Recycling Policy.

Trouble Shooting Guide		
Problem	Possible Causes	Solution
Refrigerator is not cooling.	The power cable is unplugged.	Proper voltage (see Electrical & Grounding Firmly plug the power cable into a live outlet with Requirements).
	A household fuse has blown or a MCB has tripped.	Replace the fuse or reset the MCB. If the problem persists, contact an electrician.
	The refrigerator control is set to the Min position.	Refer to the Setting the Controls section.
	The refrigerator is in the defrost cycle.	Wait about 30 minutes for defrost cycle to end.
Lights do not work	The power cable is unplugged.	Firmly plug the power cable into a live outlet with proper voltage (refer to Electrical & Grounding Requirements).
	An LED light has malfunctioned.	Before proceeding to replace LED, unplug the refrigerator or turn off power at the MCB or fuse box. NOTE: The refrigerator and freezer compartment lamps are LED interior lighting, and service should only be performed by a qualified technician.
Doors will not close completely.	The refrigerator is not level.	Leveling should be proper at floor.
	Food packages are blocking the door open.	Rearrange food containers to clear door and door shelves.
	The ice tray, vegetable cover, pans, shelves, or door baskets are out of position.	Push all the way ice tray, vegetable cover, pans, shelves, or door baskets into their correct positions.
	The gaskets are sticking.	Clean gaskets and the surfaces that they touch. Rub a thin coat of appliance polish or kitchen wax on the gaskets after cleaning.
Frost or ice crystals on frozen food.	The door is not closing properly.	When the door is opened, warm, humid air is allowed in the freezer, resulting in defrost.
There is water in the defrost water tray.	The refrigerator is defrosting.	The water will evaporate. It is normal for water to drip into the defrost water tray.
	It is more humid than normal.	Expect that the water in the defrost water tray will take longer to evaporate. This is normal when it is hot or humid.
Refrigerator or Freezer section is too cold.	Controls are not set correctly for conditions.	If the temperature is too cold, raise the temperature setting one increment at a time (Refer to the Setting the Controls section). When changing control settings, wait 24 hours before making additional adjustments.
Temperature is too warm or there is interior moisture buildup.	The air vents are blocked. Cold air circulates from the freezer to the fresh food section and back again through air vents in the wall dividing the two sections.	Locate air vents by using your hand to sense air flow and move all packages that block vents and restrict airflow.
	The doors are opened often	Opening the door warms the refrigerator, requiring the compressor to run longer in order to cool the refrigerator back down. In order to conserve energy, try to get everything you need out of the refrigerator at once, keep food organized so it is easy to find, and close the door as soon as the food is removed.
	The control is not set correctly for the surrounding conditions.	If the temperature is too warm, change the setting one increment at a time. Refer to the Setting the Controls section. Wait 24 hours for temperatures to stabilize or even out.
	A large amount of food has just been added to the refrigerator or freezer.	Adding food warms the refrigerator. It can take a few hours for the refrigerator to return to normal temperature.
	The weather is humid.	In humid weather, air carries moisture into the refrigerator when the doors are opened. Increased humidity in the freezer or refrigerator compartments can lead to frost or condensation.
	An automatic defrost cycle was completed.	It is normal for droplets to form on the interior back wall after the refrigerator automatically defrosts.
The doors are difficult to open.	The gaskets are dirty or stick .	Clean the gaskets and the surfaces that they touch. Rub a thin coat of appliance polish or kitchen wax on the gaskets after cleaning.
	The door is reopened within a short time after having been opened.	When you open the door, warmer air enters the refrigerator. As the warm air cools, it can create a vacuum. If the door is hard to open, wait one minute to allow the air pressure to equalize, then see if it opens more easily.
Frozen food in refrigerator compartment	The temperature control in the refrigerator compartment is set too cold.	Press the Temperature Adjust button to set the refrigerator compartment to a warmer temperature.
	Food with a high water content was placed too close to the cold air discharge vent.	Place food with a high water content toward the front of the refrigerator.
Compressor Not Starting	The power cable is unplugged.	Proper voltage (see Electrical & Grounding Firmly plug the power cable into a live outlet with Requirements).
	Voltage Fluctuation at house	Due to voltage fluctuation compressor for safety purpose to avoid any damage , for that 1 time unplug & plug power cable & again switch on the refrigerator.

विषय-सूची

1. एप्लायंस एक नजर में	9
1.1 एप्लायंस और सामग्री का विवरण	9
1.2 एप्लायंस के प्रयोग का दायरा	10
1.3 एप्लायंस का बाहरी डायमेंशन	10
1.4 ऊर्जा की बचत	10
2. सुरक्षा सम्बंधी सामान्य सुचनाएं	10
3. संचालन प्रारंभ करना	11
3.1 एप्लायंस का परिवहन	11
3.2 एप्लायंस इंस्टॉल करना	11
3.3 पैकेजिंग को नष्ट करना	12
3.4 एप्लायंस का समतलन और पाये की व्यवस्था	13
3.5 एप्लायंस को कनेक्ट करना	13
4. तापमान का समायोजन और नियंत्रण	13
4.1 फूड रेफ्रिजरेशन	13
4.2 फ्रीजर कंपार्टमेंट	13
4.3.1 तापमान निर्धारित करना	13
4.3.2 नियंत्रण और दरवाजे का अलार्म	14
4.4 ग्लास शेल्फ को विस्थापित करना	14
4.5 दरवाजे की रैक को हिलाना	14
4.6 बर्फ बनाना	14
- आईस मेकर असेंबली का उपयोग कर के	14
4.7 दरवाजे को ताला लगाना	15
4.8 हॉट टू कूल	15

5. रख-रखाव (मेंटेनेंस)	15
5.1 फ्रॉस्ट-फ्री रेफ्रिजरेटर की डी-फ्रॉस्टिंग	15
5.2 एप्लायंस की साफ-सफाई	15
5.3 ग्राहक सेवा	16
6. समस्या निवारण (ट्रबलशूटिंग)	16
7. कार्य से हटाना (डीकमिशनिंग)	17
7.1 एप्लायंस को स्विच-ऑफ करना	17
7.2 एप्लायंस को सेवा से बाहर निकालना	17
8. एप्लायंस को विनष्ट करना	17

1. एप्लायंस एक नजर में

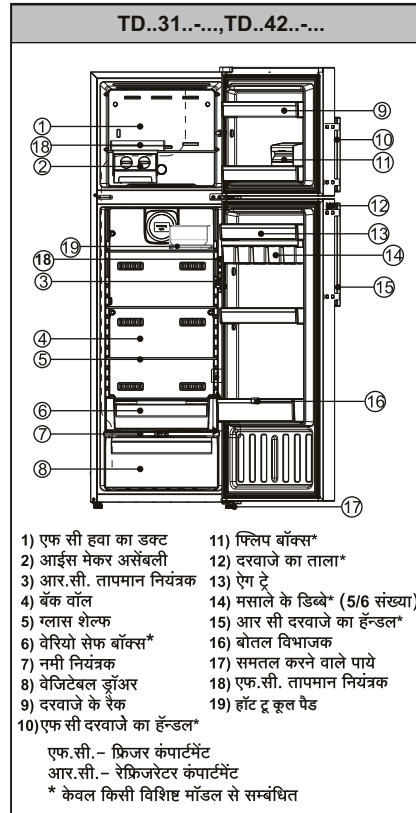
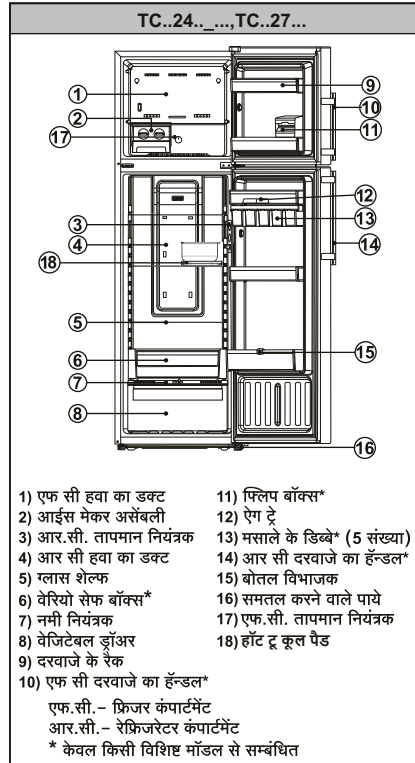
1.1 एप्लायंस और सामग्री का विवरण

ध्यान दें

- ▶ छलकने से बचाने के लिए भोजन को सीधी अवस्था में रखें/भंडारण करें।
- ▶ हमारे कंपनी से निकलने से पहले शेल्फ, ड्रॉवर, बास्केट को अनुकूलतम ऊर्जा दक्षता के लिए व्यवस्थित किया जाता है।

फ्रॉस्ट फ्री डूओ कूल रेफ्रिजरेटर

फ्रॉस्ट फ्री रेफ्रिजरेटर



1.2 एप्लायंस के प्रयोग का दायरा

यह एप्लायंस घरेलू अथवा समान वातावरण में केवल खाद्य वस्तु की कूलिंग के लिए उपयुक्त है।

इस एप्लायंस का प्रयोग घरेलू वातावरण में सामान्य तरीके से करें। अन्य सभी प्रकार के प्रयोग अस्वीकार्य हैं और इससे एप्लायंस वॉरंटी के लाभ से मुक्त होता है (कृपया अधिक जानकारी के लिए वॉरंटी कार्ड पढ़ें)। यह एप्लायंस दवाओं, रक्त प्लाज्मा, प्रयोगशाला सामग्रियों या ऐसी ही अन्य वस्तुओं अथवा उत्पादों के संग्रह और कूलिंग के लिए उपयुक्त नहीं है। एप्लायंस का दुरुपयोग करने से संग्रह किए गए उत्पाद की हानि हो सकती है या वह नष्ट हो सकता है। इसके अलावा, यह एप्लायंस विस्फोट की संभावना वाले वातावरण में उपयोग किए जाने योग्य नहीं है।

यह एप्लायंस अपनी क्लायमेट रेटिंग के अनुसार विशिष्ट पारिवाशिक तापमान सीमा में ही ऑपरेट किए जाने के लिए निर्धारित है। आपके एप्लायंस की सही क्लायमेट रेटिंग और अन्य क्लायमेट रेटिंग नीचे तालिका में दिखाई गई है।

क्लायमेट रेटिंग	पारिवाशिक तापमान
SN	10°C से 32°C तक
N	16°C से 32°C तक
ST	16°C से 38°C तक
T	16°C से 43°C तक
SN-T	10°C से 43°C तक

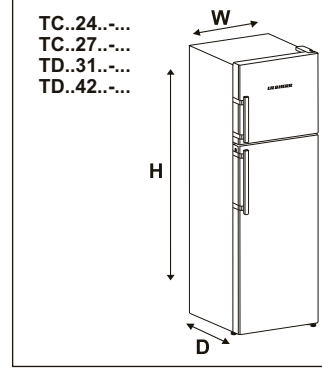
अपने रेफ्रिजरेटर के मॉडल की क्लायमेट रेटिंग, कुल भार, रेफ्रिजरेट की मात्रा और विद्युतीय रेटिंग के लिए कृपया फ्रिज के पिछले भाग में सर्किट डायग्राम स्टीकर को देखिये।

1.3 एप्लायंस का बाहरी डायमेंशन

Model	Dimensions		
	W	D	H
TC..24..-...	595/597	676/716	1495
TC..27..-...	595/597	676/716	1595
TD..31..-...	595/597	676/716	1850
TD..42..-...	706	782	1850

ध्यान दें

► ऊपर बताये गए डायमेंशन एप्लायंस की दूरतम सतहों से (निचे दिखाये गये चित्र के अनुसार) मापे गए हैं। जो प्रकार के अनुसार बदल सकते हैं।



1.4 ऊर्जा की बचत

- हमेशा अच्छी हवादार स्थिति बनाए रखें।
- एप्लायंस को सूर्य की सीधी रोशनी या किसी स्टोव, हीटर या ऐसी किसी अन्य वस्तु के पास न रखें।
- ऊर्जा की खपत इंस्टॉलेशन की स्थितियों पर जैसे की आस-पास के तापमान पर निर्भर है।
- बेहतर ऊर्जा दक्षता के लिए दरवाजा खोलने का आवृत्ती और समय न्यूनतम सीमित करें।
- ध्यान रखें कि सभी खाद्य वस्तुएं भंडारण के लिए अच्छी तरह पैक की हुईं और ढकी हुईं हों। इससे फ्रॉस्ट नहीं जमेगा।
- लंबी छुट्टियों में रेफ्रिजरेटर युनिट को खाली कर ले और स्विच ऑफ कर दें।

2. सुरक्षा सम्बंधी सामान्य सुचनाएं

उपयोगकर्ता के लिए खतरा :

यह एप्लायंस ऐसे व्यक्तियों (बच्चों सहित) के लिए तैयार नहीं किया गया है जो शारीरिक, ऐन्द्रिक या मानसिक रूप से अक्षम हैं, या ऐसे व्यक्ति जिनके पास पर्याप्त अनुभव अथवा ज्ञान नहीं है। बशर्ते कि उन्हें एप्लायंस के प्रयोग का निर्देश प्राप्त न हो और आरंभ में किसी ऐसे व्यक्ति की निगरानी में हों जो उनकी सुरक्षा के लिए जिम्मेदार हों। बच्चों पर हमेशा निगरानी रखें ताकि वे उपकरण से खेलें नहीं।

- एप्लायंस को सप्लाई से डिस्कनेक्ट करने से पहले इलेक्ट्रिक सप्लाय बंद करें। पावर केबल निकालते समय हमेशा प्लग को पकड़कर खींचें। केबल को न खींचें।

- कोई फॉल्ट होने पर, पावर सप्लाय बंद करें।

- मेन्स के पावर केबल को क्षति न पहुंचाएं। एप्लायंस को दोषपूर्ण मेन्स पावर केबल के साथ ऑपरेट न करें।

– रेफ्रिजरेटर को लगाए जाने वाले पावर साँकेट मे उचित अर्थिंग कनेक्शन और फ्यूज/एमसीबी इत्यादी सुरक्षा प्रावधान का होना जरूरी है।

– पावर केबल की लंबाई को न बढ़ाएं, उसके कारण बिजली के झटके या यूनिट को नुकसान पहुंच सकता है।

– किसी भी मरम्मत या उपकरण में परिवर्तन केवल अधिकृत सेवा कर्मियों द्वारा किया जाना चाहिए।

– एप्लायंस को केवल निर्देश के अनुसार ही इस्टॉल या कनेक्ट करें।

– इन निर्देशों को किसी सुरक्षित जगह पर रखें और बाद के किसी भी मालिक को दें।

– एप्लायंस में लगे विशेष उद्देश्य वाले लैम्प (इन्कैंडेसेंट लैम्प, एल.ई.डी., फ्लोरोसेंट ट्यूब) केवल एप्लायंस को प्रकाशित करने के लिए हैं, वे कमरे को प्रकाशित करने के लिए नहीं हैं।

आग का खतरा :

• रेफ्रिजरेटर R 600a पर्यावरण के लिए अनुकूल है लेकिन ज्वलनशील है। रेफ्रिजरेटर के बाहर निकलने से आग पकड़ सकती है।

• रेफ्रिजरेटर सर्किट पाइपों को क्षतिग्रस्त न करें।

• खुली लपटों या आग के स्रोतों को एप्लायंस में प्रवेश न करने दें।

• भीतरी हिस्से में बिजली के किसी भी उपकरण का प्रयोग न करें (जैसे: स्टीम क्लीनर, हीटर, आइसक्रीम मेकर इत्यादि)

• यदि रेफ्रिजरेटर बाहर निकल आए : रिसाव वाले क्षेत्र से किसी भी खुली लपट या आग के स्रोत को हटा दें। कमरे में अच्छी तरह हवा आने दें। ग्राहक सेवा को सूचित करें।

• एप्लायंसों में विस्फोटक वस्तुओं या ऐसे स्प्रे का उपयोग या भंडारण न करें जिनमें ब्यूटेन, प्रोपेन, पेन्टेन इत्यादि का प्रयोग किया जाता हो। इस तरह के स्प्रे के डिब्बों को पहचानने के लिए, डिब्बे पर अंकित चिन्हों पे या आग के संकेत पर ध्यान दें। बिजली के पूर्णों के कारण, रेफ्रिजरेटर से निकलती हुई गैसें प्रज्वलित हो सकती है।

• जलती हुई मोमबत्तियों, लैम्पों और खुली लपटों वाली अन्य वस्तुओं को एप्लायंस से दूर रखें ताकि एप्लायंस में आग न पकड़े।

• उच्च प्रतिशत वाले अल्कोहल को हमेशा अच्छी तरह सीलबंद, खड़ी स्थिति वाले कंटेनर में ही रखें।




उलझने और गिरने का खतरा :

प्लिथ, ड्रॉअर्स, शेल्व्स या डोर इत्यादि का इस्तेमाल चढ़ने या सहारे के लिए न करें। यह बात बच्चों पर खास तौर पर लागू होती है।

फ्रॉस्टबाइट, सुन्नपन या दर्द का खतरा :

– ठंडी सतह अथवा रेफ्रिजरेटेड / फ्रोजन खाद्य वस्तु पर त्वचा को ज्यादा देर संसर्ग में न रखें या रक्षात्मक उपाय करें, जैसे दस्ताने पहनना। आइसक्रीम, वाटर आइस या आइस क्यूब का उपभोग तुरन्त या अत्यंत ठंडी स्थिति में न करें।

नीचे दिए गए विशेष निर्देशों का पालन करें :

	खतरा	ऐसी स्थिति का परिचायक है जिसमें सीधा खतरा है जिससे यदि न बचा जाए तो मौत या गंभीर शारीरिक क्षति हो सकती है।
	चेतावनी	खतरनाक स्थिति का परिचायक है जिससे यदि न बचा जाए तो मौत या गंभीर शारीरिक क्षति हो सकती है।
	सावधानी	खतरनाक स्थिति का परिचायक है जिससे यदि न बचा जाए तो मामूली से लेकर मध्यम स्तर तक की शारीरिक क्षति पहुंच सकती है।
	सूचना	खतरनाक स्थिति का परिचायक है जिससे यदि न बचा जाए तो सम्पत्ति का नुकसान हो सकता है।
	ध्यान दें	उपयोगी सूचनाओं और टिप्स का परिचायक है।

3. संचालन प्रारंभ करना

3.1 एप्लायंस का परिवहन

सावधानी

गलत परिवहन के कारण नुकसान का जोखिम और क्षति का खतरा

- ▶ एप्लायंस को पैकड स्थिति में ही लाया जाए।
- ▶ एप्लायंस को सीधी स्थिति में ही लाया जाए।
- ▶ बिना सहायता के एप्लायंस को लाने या ले जाने का प्रयत्न न करें।

3.2 एप्लायंस इस्टॉल करना

ध्यान दें

▶ एप्लायंस के परिवहन के बाद, हम सिफारिश करते हैं कि एप्लायंस को 8 घंटे के लिए रुकी हुई अवस्था में सिधा रखें। बिना भंडारण के रेफ्रिजरेटर को 3 घंटे तक चलाईए। दरवाजे के हँडल (हँडल्स)* को स्वयं न लगाएं। दरवाजे के हँडल (हँडल्स)* को केवल सर्विस के व्यक्ती से ही लगावाएं।

सावधानी

आर्द्रता के कारण आग लगने का खतरा।

यदि विद्युतीय पुर्जे या मेन प्लग गीला हो जाएं तो इससे शॉर्ट सर्किट हो सकता है।

▶ यह एप्लायंस बंद कमरे में प्रयोग के लिए बनाया गया है। एप्लायंस को कहीं बाहर या ऐसी जगहों में ऑपरेट न करें जहां पानी के छींटों या आर्द्रता का खतरा हो।

चेतावनी

शॉर्ट सर्किट के कारण आग लगने का खतरा !
यदि कनेक्टर या मेन्स केबल एप्लायंस या अन्य एप्लायंस से छू जाए तो एप्लायंस के कम्पन के कारण मेन्स केबल या कनेक्टर क्षतिग्रस्त हो सकता है और शॉर्ट सर्किट हो सकती है।

- ▶ एप्लायंस को खड़ा रखें ताकि कनेक्टर या मेन केबल्स का स्पर्श न हो।
- ▶ एप्लायंस के पीछे स्थित सॉकेटों में एप्लायंस या अन्य कुछ भी प्लग न करें।

चेतावनी

रेफ्रिजरेटर के कारण आग का खतरा !
रेफ्रिजरेटर R 600a पर्यावरण-अनुकूल है किंतु ज्वलनशील है।
रेफ्रिजरेटर के बाहर निकलने से आग लग सकती है।

- ▶ रेफ्रिजरेटर सर्किट की पाईपिंग को नुकसान न पहुंचाएं।

चेतावनी

आग लगने और क्षतिग्रस्त होने का खतरा !

- ▶ एप्लायंस के उपर ताप-उत्सर्जी उपकरण जैसे की माइक्रोवेव्ह, टोस्टर, इत्यादि न रखें।

चेतावनी

हवा आने-जाने की सुराखों के बंद रहने से आग लगने और नुकसान का खतरा है।

- ▶ हवा आने-जाने की सुराखों (वेंटिलेशन) को खुला रखें।

हमेशा यह सुनिश्चित करें कि एप्लायंस को पर्याप्त हवा मिल रही हो।

सुरक्षा

कंडेन्सेट के कारण नुकसान का खतरा !

- ▶ एप्लायंस को किसी अन्य रेफ्रिजरेटर के बिल्कुल करीब कभी इंस्टॉल न करें।
- एप्लायंस के क्षतिग्रस्त होने के स्थिति में, सर्विस से सम्पर्क करें। पावर केबल को मेन्स से कनेक्ट ना करें।
- रेफ्रिजरेटर के स्थान की सतह सपाट और समतल होनी चाहिए।
- एप्लायंस को किसी ऐसे स्थान पर इंस्टॉल न करें जहां वह सूर्य की रोशनी के सीधे परिवर्तन के संसर्ग में हो, या किसी कूकर, हीटर या ऐसी ही अन्य वस्तु के पास हो।
- एप्लायंस के पिछले भाग को हमेशा दीवार की ओर खड़ा करें।
- एप्लायंस को अपनी जगह से तभी हटाएं जब वह खाली हो।

- बिना किसी की सहायता के एप्लायंस को इंस्टॉल न करें।
- स्टैंडर्ड EN 378 यह बतलाता है कि आप अपने एप्लायंस को जिस कमरे में इंस्टॉल करते हैं उसका वॉल्यूम एप्लायंस में प्रयुक्त R 600a रेफ्रिजरेटर के प्रति 8g का 1m³ होना चाहिए। यदि वह कमरा बहुत छोटा हो जिसमें एप्लायंस को इंस्टॉल किया गया है तो रेफ्रिजरेटर सर्किट में कोई रिसाव होने पर एक ज्वलनशील गैस-हवा का मिश्रण बन सकता है। आपके एप्लायंस में प्रयुक्त रेफ्रिजरेटर की मात्रा एप्लायंस के सर्किट डायग्राम स्टिकर पर संकेतित है।

3.3 पैकेजिंग को नष्ट करना

चेतावनी

पैकिंग सामग्री और प्लास्टिक फिल्म के कारण दम घुटने का खतरा !

- ▶ बच्चों को पैकिंग सामग्री से खेलने न दें।
- पैकेजिंग निम्नांकित रिसायकल किए जाने योग्य पदार्थों से बना है।
- तराशा हुआ बोर्ड / कार्डबोर्ड
 - प्रसारित पॉलिस्टिरिन पार्ट्स
 - पॉलिथिन बैग्स एवं शीट्स
 - पॉलिप्रोपिलिन स्ट्रैप्स

सूचना

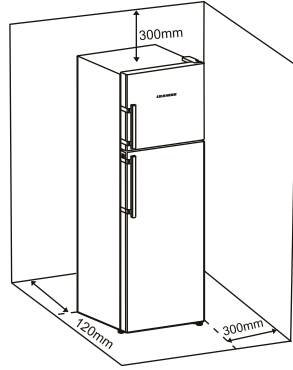
स्टेनलेस स्टील के दरवाजे उच्च गुणवत्ता की सतही परत के साथ मुहैया करवाए गए हैं और इन दरवाजों को जंग रूहीत सफाई उत्पाद के इस्तेमाल से साफ करें। दरवाजों को अधिक बल लगाकर न पोंछें। इस से दरवाजे पर खरोच/क्षती हो सकती है।

- ▶ दरवाजे की सतहों को केवल एक मायक्रोफाइबर साफ कपड़े से पोंछिये।
- ▶ स्टेनलेस स्टील की सतहों पर सभी भागों में स्टेनलेस स्टील क्लीनर लगाइए। कपड़े से ग्रेन्स की दिशा में पोंछिए। इससे सफाई आसान हो जाती है।
- ▶ केवल नरम और साफ कपड़े का उपयोग करके ही बाजू की दीवारों को पोंछिये।
- ▶ सभी परिवहन के सहारों को हटाइये।
- ▶ उपकरण को रेफ्रिजरेटर के निचे दिए गए पेट्रो को व्यवस्थित करके इस प्रकार संरेखित कीजिये जिससे कि यह मजबूती से समतल खड़ा रहे।

व्हेंटिलेशन के लिए आवश्यक :

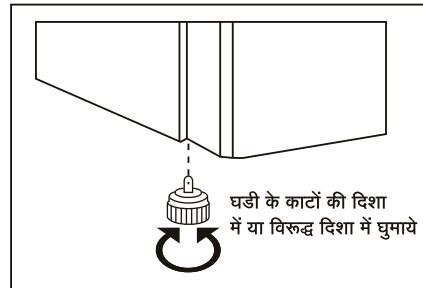
- स्टैक कैबिनेट के पीछे कम से कम 120 मि.मी. गहराई का वायु-संचालन स्थान होना चाहिए। स्टैक कैबिनेट की दूरतम पिछली सतह से पिछली दीवार का यह अंतर है।

- रेफ्रिजरेटर की दोनों बाजू की सतहों और साथ की दीवारों के बीच कम से कम 300 मि.मी. का अंतर होना चाहिए।
- रेफ्रिजरेटर के उपर वेंटिलेशन दूरी कम से कम 300 मि.मी. सेंटीमीटर होनी चाहिए।
- जितना अधिक वायु संचालन क्षेत्र होगा, रेफ्रिजरेटर के चलने पर ऊर्जा की उतनी अधिक बचत होगी।
- अगर रेफ्रिजरेटर को काफी नम जगह पर लगाया गया है, तो रेफ्रिजरेटर के बाहर कंडेनसेशन हो सकता है।
- ▶ रेफ्रिजरेटर के पास हमेशा अच्छा वायु संचालन होना चाहिए।



3.4 एप्लायंस का समतलन और पाये की व्यवस्था

रेफ्रिजरेटर के अगले भाग के निचले कोनों पर दी गयी समतलन पायों को घड़ी के काटों की दिशा में या विरुद्ध दिशा में घुमाये जैसा कि नीचे दिखाया गया है (एप्लायंस पर एक नजर देखीए)। उपकरण को इस प्रकार संरेखित कीजिये कि यह मजबूती से समतल खड़ा रहे।



3.5 एप्लायंस को कनेक्ट करना

सूचना

इलेक्ट्रॉनिक कंट्रोल सिस्टम के नुकसान का जोखिम !
▶ हम स्टैंड-अलोन इन्वर्टर (डी.सी. से ए.सी. में परिवर्तित) या बिजली की बचत करने वाले प्लगस् के इस्तेमाल का सुझाव नहीं देते हैं।

⚠ चेतावनी

आग एवं ज्यादा गर्म होने का खतरा !

- ▶ एक्सटेंशन केबल्स या मल्टिपल सॉकेट आउटलेट्स का प्रयोग न करें।

रेफ्रिजरेटर के लिए सिफारिश किये गए विद्युत प्रवाह (करंट) और विद्युत दाब (वोल्टेज) को रेफ्रिजरेटर के पीछे दिए गए सर्किट डायग्राम की जानकारी के अनुरूप होना चाहिए।

- रेफ्रिजरेटर को लगाए जाने वाले पावर सॉकेट में उचित अर्थिंग कनेक्शन और फ्यूज/एमसीबी इत्यादी सुरक्षा प्रावधान का होना जरूरी है।

वह आसानी से पहुंच-योग्य होना चाहिए ताकि आकस्मिक स्थिति में उसे तुरन्त विद्युत-प्रवाह से अलग किया जा सके।

- ▶ बिजली के कनेक्शन की जांच कर लें।
- ▶ पावर प्लग लगा दें।

4 तापमान का समायोजन और नियंत्रण

4.1 फूड रेफ्रिजरेशन

सूचना

पर्याप्त हवादार स्थिति न होने पर बिजली की खपत बढ़ जाती है और कूलिंग की क्षमता घट जाती है।

- ▶ एयर डक्ट के ओपनिंग्स को हमेशा खुला रखें।

▶ भोजन का एक दुसरे के अधिक समीप या डक्ट कि खिडकीयों के समीप भंडारण ना हो जिससे बढ़िया वायु का प्रसार हो।

▶ बोतलों को एक दुसरे के ऊपर गिरने से रोकने के लिए बोतल सेपरेटर को व्यवस्थित कीजिये।

4.2 फ्रीजर कंपार्टमेंट

आप फ्रीजर कंपार्टमेंट में जमे हुए फूड का भण्डारण कर सकते हैं, बर्फ के क्यूब्स बना सकते हैं और ताजे भोजन को जमा सकते हैं।

“ठंडा करने की क्षमता... कि.ग्रा./24 घंटे”
रेफ्रिजरेटर की जमाने की क्षमता को इंगित करता है।

4.3.1 तापमान निर्धारित करना

रेफ्रिजरेटर का तापमान नीचे दिये गये परिस्थितियों पर निर्भर करता है।

- डोर कितनी बार खोले जाते हैं।
- एप्लायंस जहां स्थापित है उस कमरे का तापमान
- फ्रोजन फूड की किस्म, तापमान और मात्रा

4.3.1 तापमान निर्धारित करना

रेफ्रिजरेटर का तापमान नीचे दिये गये परिस्थितियों पर निर्भर करता है ।

- डोर कितनी बार खोले जाते हैं ।
- एप्लायंस जहां स्थापित है उस कमरे का तापमान
- फ्रोजन फूड की किस्म, तापमान और मात्रा

TC..24...TC..27...के लिए....	
<p>फ्रिजर के कंपार्टमेंट का तापमान नियंत्रक नॉब</p>	<p>रेफ्रिजरेटर के कंपार्टमेंट का तापमान नियंत्रक नॉब</p>
TD..31...TD..42...के लिए....	
<p>फ्रिजर के कंपार्टमेंट का तापमान नियंत्रक नॉब</p>	<p>फ्रिजर के कंपार्टमेंट का तापमान नियंत्रक नॉब</p>
<p>उत्पादक द्वारा परिभाषित सेटिंग ऊपर के चित्रों में दिखाई गयी हैं । परन्तु आवश्यकता को देखते हुए, उपयोगकर्ता सेटिंग बदल सकता है । अन्यथा कृपया तापमान नियंत्रण दिशा-निर्देश स्टीकर को देखिये जो कि फ्रीजर कंपार्टमेंट के दरवाजे के भीतरी भाग में दिया गया है ।</p>	

रेफ्रिजरेटर कंपार्टमेंट में अधिक ठंडा पाने के लिए "इन्टेन्स" सेटिंग का इस्तेमाल करें।

4.3.2 नियंत्रण और दरवाजे का अलार्म

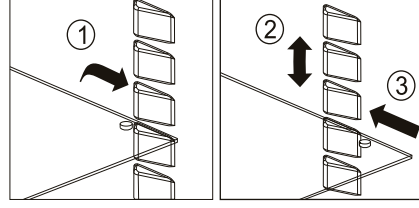
भिन्न सेटिंग और मसलों के लिए रेफ्रिजरेटर से भिन्न आवाजें आएंगी । रेफ्रिजरेटर से आने वाली आवाजों और उनके अर्थ नीचे दिये गये हैं ।

TC..24...TC..27...TD..31...TD..42...के लिए....	
बीप की संख्या	अर्थ
1 बीप	कम विद्युत दाब का अलार्म (160V से कम)
3 बीप	दरवाजा खुलने का अलार्म (90 सेकंड से अधिक)
4 बीप	सेंसर के विफल होने का अलार्म

4.4 ग्लास शेल्फ को विस्थापीत करना *

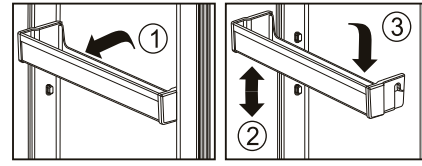
ग्लास शेल्फ को आवश्यकता अनुसार विस्थापीत करने के लिए।

- 1) शेल्फ को थोड़ा ऊपर उठाये और उसे आगे की ओर बढ़ाये।
- 2) आवश्यकता के अनुसार शेल्फ को ऊपर या नीचे करें।
- 3) शेल्फ को पीछे की ओर सरका दे जब तक कि वह दीवार के पिछले भाग पर नहीं बैठती।



4.5 दरवाजे की रैक को हिलाना *

उदाहरण में दिखाए अनुसार दरवाजे के रैक को हिलाईए.



दरवाजे के रैक को आवश्यकता अनुसार विस्थापीत करने के लिए ।

- 1) रैक को थोड़ा उठाये और बाहर खींचे ।
- 2) रैक को दिए गए रेस्ट बटन तक आवश्यकता अनुसार ऊपर या नीचे करें ।
- 3) रैक को अन्दर डालें और जब तक कि वह रेस्ट बटन पर नहीं बैठती उसे नीचे की ओर सरकाएं ।

सावधानी

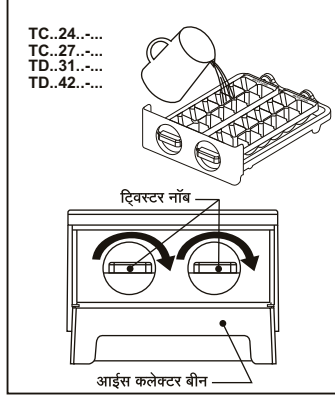
टूटे हुए ग्लास के कारण चोट लगने का खतरा! पेय युक्त बोतल और कैन जमने के दौरान फट सकती हैं । यह विशेष रूप से स्पारक्लिंग पेयों पर लागू होता है । पेय युक्त बोतल और कैन को ना जमायें !

4.6 बर्फ बनाना

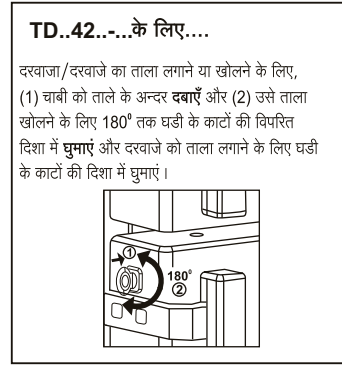
सूचना : बर्फ को आईस ट्रे में से आसानी से निकालने के लिए पानी को आईस ट्रे में उपरी सिमा तक भरे ।

- आईस मेकर असेंबली का उपयोग कर के*

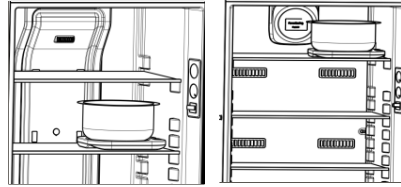
- बर्फ की ट्रे को पानी के स्तर तक भरें और उन्हें बर्फ बनाने की असेंबली में रखें ।
- बर्फ बनने का समय परिभाषित तापमान की सेटिंग पर निर्भर करता है ।
- ट्रिबलर नॉब को पकडे और बर्फ के क्यूब बिन में निकालने के लिए घड़ी के काटों के दिशा में घुमाएं.
- निकले हुए बर्फ का उपयोग करने के लिए बिन को बाहर खींचे ।



4.7 दरवाजे को ताला* लगाना



4.8 हॉट टू कूल *



गर्म दूध के स्टील वाले बर्तन को हॉट टू कूल पैड पर ही रेफ्रिजरेटर कम्पार्टमेंट में रखें।

TC ..24,27 के लिए - ऊपर से दूसरी ग्लासशेल्फ पर दाईं ओर
TD ..31,42 के लिए - ऊपर से पहली ग्लासशेल्फ पर दाईं ओर

- ▶ गर्म दूध का बर्तन रखने पर तापमान स्थिर होने तक रेफ्रिजरेटर के अंदर की सतह पर कंडेनसेशन दिखाई दे सकता है।
- ▶ 4.3.1 में दशयि अनुसार उत्पादक द्वारा परिभाषित सेटिंग सर्वोत्तम प्रयोग स्थिति है।

5. रखरखाव (मेंटिनेंस)

5.1 फ्रॉस्ट-फ्री रेफ्रिजरेटर की डी-फ्रॉस्टिंग

फ्रॉस्ट-फ्री सिस्टम एप्लायंस को स्वयं डी-फ्रॉस्ट कर देता है और वह पानी डी-फ्रॉस्ट वॉटर ट्रे में जमा होता है। डी-फ्रॉस्ट वॉटर ट्रे में पड़ा हुआ पानी भाप बनाकर उड़ जाता है। पीछे की दीवार पर पानी की बूंदों का होना सामान्य बात है।

5.2 एप्लायंस की साफ-सफाई

⚠ सावधानी

गर्म बाष्प के कारण नुकसान या चोट की संभावना !
गर्म बाष्प सतह को नुकसान पहुंचा सकता है और जलने की संभावना है।

- ▶ किसी भी स्टीम क्लीनर्स का प्रयोग न करें।

सूचना

गलत तरीके से साफसफाई के कारण एप्लायंस को क्षति पहुंच सकती है।

- ▶ साफ करने की किसी भी सामग्री को कंसेन्ट्रेटेड रूप में इस्तेमाल न करें।
- ▶ घिसाव या रगड़ करने वाले स्पॉंज या स्टील वूल का प्रयोग न करें।
- ▶ किसी भी कठोर, घर्षणकारी, मिट्टी, क्लोराइड, केमिकल या एसिड से बनी सफाई सामग्री का इस्तेमाल न करें।
- ▶ केमिकल सॉल्वेंट्स का इस्तेमाल न करें।
- ▶ एप्लायंस के भीतर लगे प्रॉडक्ट स्टिकर को हटाएं नहीं और न ही उसे नुकसान पहुंचाएं। यह ग्राहक सेवा के लिए महत्वपूर्ण है।
- ▶ केबल्स या अन्य पूंजों को खींचे या मोड़ें नहीं और न ही कोई क्षति पहुंचाएं।
- ▶ सफाई के लिए प्रयुक्त पानी ड्रेन चैनल, वेंटिलेशन ग्रिल या बिजली के पार्ट-पुर्जों में न घुसे यह ध्यान रखें।
- ▶ साफ-सफाई के लिए कृपया नर्म कपड़े और हर जगह प्रयुक्त होने वाले पीएच-न्यूट्रल स्वच्छताकारी एजेंट का ही प्रयोग करें।
- ▶ एप्लायंस के भीतरी हिस्से में कृपया साफ-सफाई और देखभाल के लिए ऐसे ही स्वच्छताकारी उत्पादों का प्रयोग करें जो खाद्य वस्तुओं के अनुकूल हों।
- ▶ रेफ्रिजरेटर के मेन्स को स्विच ऑफ कर दें।
- ▶ पावर प्लग निकाल दें।
- ▶ एप्लायंस को खाली कर दें।

► प्लास्टिक की बाहरी और भीतरी सतहों को साफ करने के लिए मुलायम और स्वच्छ कपड़े को गुनगुने पानी और थोड़े से वाशिंग लिक्विड में मिलाकर साफ करें।

► एप्लायंस की वस्तुओं को नरम कपड़े से गुनगुने पानी और थोड़े से वाशिंग लिक्विड में मिलाकर साफ करें।

सफाई के बाद :

► एप्लायंस और उपकरण की सभी वस्तुओं को सुखे और नरम कपड़े से पोंछकर सुरखा लें।

► एप्लायंस को कनेक्ट करके स्विच ऑन कर दें। जब तापमान पर्याप्त ठंडा हो जाए तब भोजन को अन्दर रख दें।

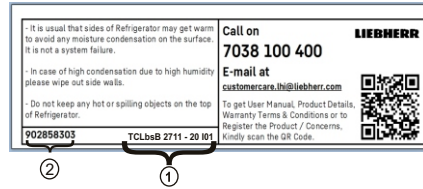
5.3 ग्राहक सेवा

पहले समस्या का निरीक्षण करें और ग्राहक सेवा नंबर 7038-100-400 पर संपर्क करें।

चेतावनी

यदि मरम्मत का कार्य पेशेवर तरीके से न किया जाए तो चोट या नुकसान का जोखिम है। कृपया सेवा कर्मचारी से ही संपर्क करें।

एप्लायंस के बाहर बाईं ओर ऊपरी तरफ स्थित प्रॉडक्ट स्टिकर पर एप्लायंस की (1) मॉडेल नं., सर्विस नं. और (2) सीरियल नम्बर देख लें।



► क्या खामी (दोष) है तथा एप्लायंस की मॉडेल नं., सर्विस नं. और सीरियल नं. ग्राहक सेवा को संपर्क कर के सूचित करें।

► इससे हमें आपको शीघ्र और ज्यादा समुचित सेवा देने में सहायता मिलेगी।

► ग्राहक सेवा से कर्मचारी के आने तक एप्लायंस को बंद रखें।

► आग और शॉक की परिस्थिति में बिजली की आपूर्ति बंद करें (जोड़ने वाली केबल को ना खींचें)।

सूचना

फ्रिजर के अंदर ग्लास और पिछली सतह पर नमी का संघनन या जमना आम बात है। यह फ्रिजर कंपार्टमेंट में आर्द्रता के कारण होता है।

रेफ्रिजरेटर के अंदर ग्लास शेल्फ और डबक की सतह पर नमी का संघनन और पानी के बुंदों का जमा होना आम बात है। यह रेफ्रिजरेटर कंपार्टमेंट में आर्द्रता के कारण होता है।

6. समस्या निवारण (ट्रबलशूटिंग)

आपका एप्लायंस इस तरह तैयार किया गया है कि वह टिकाऊ और भरोसेमंद कार्य करता रहे। इसके बावजूद यदि कोई गड़बड़ी उत्पन्न होती हो तो कृपया जांच लें कि यह हैंडलिंग (सार-संभाल) की किसी गलती से तो नहीं हुई है। ऐसी स्थिति में वारंटी अवधि के भीतर भी, आप से खर्च की लागत लिई जाएगा। आप निम्नांकित दोषों का निवारण स्वयं कर सकते हैं।

एप्लायंस काम नहीं कर रहा है

→ एप्लायंस का स्विच ऑन नहीं है।

► एप्लायंस का स्विच ऑन करें।

→ पावर प्लग को वॉल सॉकेट में ठीक से नहीं लगाया गया है।

► पावर प्लग की जांच कर लें।

कंप्रेसर काफी देर तक चालू रहता है।

→ जब कम मात्रा में ठंडक की जरूरत होती है तो कंप्रेसर लो-स्पीड पर स्विच हो जाता है। हालांकि इसके कारण चालू रहने की अवधि ज्यादा रहती है लेकिन बिजली की बचत भी होती है।

► एनर्जी सेव्हर मॉडेलों में यह एक सामान्य बात है।

बहुत ज्यादा शोर

→ विभिन्न प्रकार की गति (स्पीड) अवस्थाओं के कारण गति-नियंत्रित कंप्रेसर* चालू रहने पर अलग-अलग स्तर की आवाज उत्पन्न कर सकते हैं।

► इस प्रकार की ध्वनि सामान्य है।

बुलबुले या गरारे करने जैसी आवाज

→ यह आवाज रेफ्रिजरेशन सर्किट में रेफ्रिजरेंट के प्रवाह के कारण होती है।

► इस प्रकार की ध्वनि सामान्य है।

हल्की भनभनाहट

→ यह आवाज पंखे* से हवा प्रवाहित होने के कारण होती है।

► इस प्रकार की ध्वनि सामान्य है।

कम्पन की आवाज

→ एप्लायंस जमीन पर ठीक से स्थित नहीं है। इसलिए कूलिंग युनिट के चालू होने से आस-पास की वस्तुओं और फर्नीचर में कम्पन होती है।

► समतलन करने वाली पाये के माध्यम से एप्लायंस को ऐडजस्ट करें।

► बोलतों और कंटेनरों को अलग हटा दें।

एप्लायंस की बाहरी सतहें गर्म हैं।

→ रेफ्रिजरेशन सर्किट का ताप कंडेन्सेट बनने से रोकने के लिए प्रयुक्त होता है।

► ऐसा होना सामान्य है।

तापमान बहुत ज्यादा ठंडा नहीं है।

→ एप्लायंस का डोर ठीक से बंद नहीं है।

► एप्लायंस का डोर बंद कर दें।

→ पर्याप्त हवादार स्थिति (वेंटिलेशन) का न होना।

► वेंटिलेशन विंडोज को ठीक से खोल दें।

एप्लायंस को बार-बार या ज्यादा देर तक खोला जा रहा था।

- ▶ जबतक एप्लायंस अपेक्षित तापमान तक स्वयं न पहुंच जाए तब तक प्रतीक्षा करें। ऐसा न होने पर ग्राहक सेवा से सम्पर्क करें।

7. कार्य से हटना (डीकमिशनिंग)

7.1 एप्लायंस को स्विच-ऑफ करना

- ▶ मेन पावर सप्लाय को स्विच ऑफ कर दें।
- ▶ जबतक रेफ्रिजरेटर का बाहरी तापमान पारिवेशिक तापमान (कमरे के तापमान के बराबर) न हो जाए, प्रतीक्षा करें।

7.2 एप्लायंस को सेवा से बाहर निकालना

- ▶ पावर प्लग खींच लें।
- ▶ एप्लायंस को खाली कर लें।
- ▶ एप्लायंस को साफ कर लें।
- ▶ दुर्गंध रोकने के लिए दरवाजे खुले छोड़ दें।

8. एप्लायंस को विनष्ट करना

रेफ्रिजरेटर में कुछ फिर से प्रयोग होने वाले पदार्थ हैं और इन्हें सही तरीके से निपटाया जाना चाहिए। जो रेफ्रिजरेटर कार्य में नहीं लाये जानेवाले उन्हें पेशेवर ढंग से और सही तरीके से निपटाया जाना चाहिए। वर्तमान स्थानीय नियमों और कानूनों के अनुसार भारत की केंद्र सरकार के निर्देशानुसार इ-वेस्ट (प्रबंधन) नियम 2022 के तहत सूचित किया गया है।

रेफ्रिजरेटर को निपटाते समय, सुनिश्चित करें कि रेफ्रिजरेशन का सर्किट खराब ना हो, जिससे कि रेफ्रिजरेंट और तेल के ना रोके जा सकने वाले रिसाव से बचा जा सके।

- ▶ उपकरण को निर्योग्य करें।
- ▶ प्लग निकालें।
- ▶ जोड़ने वाली केबल को काट दें।



एप्लायंस को विनिष्ट करने की अधिक जानकारी के लिए, LIEBHERR's E-Waste Recycling Policy पढ़ें।

समस्या निवारण निर्देशिका		
समस्या	संभावित कारण	समाधान
रेफ्रिजरेटर ठंडा नहीं कर रहा है।	पावर केबल बाहर निकली है।	सही वोल्टेज (इलेक्ट्रिकल और ग्राउंडिंगवाले भाग का संदर्भ लें-पावर केबल को बिजली के सही प्लग में लगाएं।)
	घरेलू फ्यूज उड़ गया है, या एमसीबी गिर गया है।	फ्यूज को बदलें या एमसीबी को सही करें। यदि समस्या बनी रहती है तो किसी इलेक्ट्रिशियन से संपर्क करें।
	रेफ्रिजरेटर कंट्रोल मीनीमम स्थिति में है।	सेटिंग कंट्रोल भाग का संदर्भ लें।
	रेफ्रिजरेटर डीफ्रोस्ट चक्र में है।	डीफ्रोस्ट चक्र की समाप्ति के लिए लगभग 30 मिनट तक प्रतीक्षा करें।
लाईट काम नहीं कर रही है।	पावर केबल निकली है।	पावर केबल को किसी सही वोल्टेज वाले प्लग में लगाएं। (इलेक्ट्रिकल व ग्राउंडिंग आवश्यकता वाले भाग का संदर्भ लें।)
	एल. ई. डी. लैंप खराब हो गया है।	एल. ई. डी. को बदलने से पहले रेफ्रिजरेटर की पावर केबल को प्लग से बाहर निकाल लें, एमसीबी या फ्यूज बॉक्स से बिजली को बंद कर दें। नोट : रेफ्रिजरेटर और फ्रिजर कंपार्टमेंट के एल. ई. डी. आंतरिक प्रकाश हेतु होते हैं और उनकी सर्विस केवल प्रशिक्षित इलेक्ट्रिशियन द्वारा ही की जानी चाहिए।
दरवाजे पूरी तरह बंद नहीं हो रहे हैं।	रेफ्रिजरेटर तिरछा है।	फर्श पर रेफ्रिजरेटर सही तल पर होना चाहिए।
	खाद्य के पैकेट दरवाजे को पूरी तरह बंद नहीं होने दे रहे हैं।	खाद्य के बर्तनों को सही तरह रखकर दरवाजे और दरवाजे के शेल्फ को स्थान दें।
	बर्फ की ट्रे, डेजिटेबल कन्वर्, बर्तन, शेल्फ या दरवाजे की टोकरियां सही स्थिति में नहीं हैं।	सभी बर्फ की ट्रे, डेजिटेबल कन्वर्, बर्तन, शेल्फ या दरवाजे की टोकरियों को सही स्थिति में लगाएं।
	गारकेट चिपक रहे हैं।	गारकेट और स्पर्श करनेवाली सतहों को साफ करें। साफ करने के बाद गारकेट पर एप्लायंस पॉलिश या किचन वेक्स लगाएं।
जमे हुए खानेपर ओस या बर्फ के कण होना	दरवाजा अच्छी तरह बंद नहीं हो रहा है।	जब दरवाजा खुला होता है तो गर्म व नम हवा फ्रिजर में प्रवेश कर जाती है जिससे ऐसा होता है।
डीफ्रोस्ट वॉटर ट्रे में पानी है।	रेफ्रिजरेटर डीफ्रोस्ट हो रहा है।	यह पानी भाप बनकर उड़ जाएगा। डीफ्रोस्ट वॉटर ट्रे में पानी जमा होना सामान्य बात है।
	सामान्य से अधिक नमी है।	ऐसी आशा करे की डीफ्रोस्ट वॉटर ट्रे से पानी भाप बनने में अधिक समय लेगा। जब गरमी या नमी हो तो यह सामान्य होता है।
रेफ्रिजरेटर या फ्रिजर भाग बहुत ठंडे हैं।	सही स्थिति के लिए कंट्रोल सही नहीं रखा गया है।	यदि तापमान बहुत ठंडा है तो तापमान की सेटिंग को एक बार में एक स्तर बढ़ा दें। (सेटिंग कंट्रोल भाग का संदर्भ लें।) जब कंट्रोल सेटिंग बदल रहे तो अतिरिक्त बदलाव करने के लिए 24 घंटे प्रतीक्षा करें।
तापमान अधिक गरम है या भीतर आंतरिक नमी बनी हुई है।	एअर वेंट बाधित है। फ्रिजर से ठंडी हवा फ्रेश फुड सेक्शन तक उस दीवार के छिद्रों से आ-जा रही है जिससे दोनो भाग अलग किए गए हैं।	एअर वेंट को छुकर उनकी स्थिति को जानें और उनमें से हवा के बहाव को महसूस करें और उन सभी चीजों को हटा दें जिनसे एअर वेंट बंद हो रहे हैं और हवा का बहाव बाधित हो रहा है।
	दरवाजों को अक्सर खोला जाता है।	रेफ्रिजरेटर का दरवाजा खोलने से यह गरम होता जाता है। जिसके कारण रेफ्रिजरेटर को दोबारा ठंडा करने के लिए कंप्रेसर को अधिक चलने की आवश्यकता होती है। बिजली बचाने के लिए कोशिश करें कि आपको जो चीजें निकालनी हो उन्हें एक बार में ही निकाल लें। खाद्य को सही व्यवस्था कर रखें ताकि उसे खोजने में आसानी हो और जैसे ही खाद्य निकाले दरवाजे को तुरंत बंद कर दें।
	वातावरण की स्थितियों के अनुसार कंट्रोलों को सही नहीं किया गया है।	यदि तापमान अधिक गरम हो तो एक बार में एक स्तर से सेटिंग को कम कर दें। सेटिंग कंट्रोल भाग का संदर्भ लें। तापमान को स्थिर होने या बराबर होने के लिए 24 घंटा प्रतीक्षा करें।
	रेफ्रिजरेटर या फ्रिजर में हाल ही में काफी खाद्य रखा गया है।	रेफ्रिजरेटर में खाद्य रखने से यह गरम होता जाता है तथा इसे सामान्य तापमान पर आने के लिए कुछ घंटे लग सकते हैं।
	मौसम नम है।	नम मौसम में हवा रेफ्रिजरेटर में उस समय नमी ले जाती है जब इस का दरवाजा खुला हो। फ्रिजर या रेफ्रिजरेटर के भागों में अधिक नमी के कारण बर्फ जम सकती है।
	स्वचालित डीफ्रोस्ट चक्र पूरा हुआ है।	यह सामान्य है कि रेफ्रिजरेटर के स्वचालित रूप से डीफ्रोस्ट होने के कारण भीतर की पीछे की दीवार पर बूंदें जम जाती हैं।
दरवाजे खोलने में कठिनाई हो रही है।	गारकेट गंदे या चिपचिपे हैं।	उन गारकेट और सतहों को साफ करें जिन्हें वे छूते हैं। उन्हें साफ करने के बाद एप्लायंस पॉलिश या किचन वेक्स को थोड़ासा लगाएं।
	दरवाजा एक बार खोलने के बाद दोबारा जल्दी खोला जाता है।	जब आप दरवाजा खोलते हैं तो गरम हवा रेफ्रिजरेटर के भीतर प्रवेश करती है। जब गरम हवा ठंडा होती है तो इसके कारण व्हेक्यूम बन जाता है। यदि दरवाजा खोलने में कठिनाई हो तो एक मिनट प्रतीक्षा करें जिस से हवा का दाब बराबर हो जाए तब आप देखेंगे कि दरवाजा अधिक आसानी से खुल जाएगा।
रेफ्रिजरेटर भाग में खाद्य जमा हुआ है।	रेफ्रिजरेटर भाग में तापमान को बहुत ठंडा सेट किया गया है।	तापमान को एडजस्ट करने वाले बटन को दबाएं और रेफ्रिजरेटर कक्ष को अधिक तापमान पर सेट करें।
	अधिक पानी वाले खाद्य को एअर वेंट के बहुत निकट रखा गया है।	अधिक पानी वाले खाद्य को रेफ्रिजरेटर के सामने की ओर रखें।
कंप्रेसर शुरू नहीं हो रहा।	पावर केबल निकली है।	सही वोल्टेज के लिए पावर केबल को बिजली के सही प्लग में मजबूती से लगाएं। (इलेक्ट्रिकल एंड ग्राउंडिंग आवश्यकताएं देखें।)
	घर में वोल्टेज उपर नीचे हो रही है।	वोल्टेज के उपर नीचे होने के कारण सुरक्षा कारणों से कंप्रेसर रूक जाता है ताकि कोई नुकसान न हो। इसके लिए पावर केबल को एक बार निकाल लें और फिर उसे दोबारा जोड़ दें और रेफ्रिजरेटर को दोबारा चालू कर दें।

LIEBHERR's E-waste Recycling Policy



Under the guidelines of the Central Government of India, E-Waste (Management) Rules 2022 have been notified. LIEBHERR stands committed to implement E-waste Rules. E-waste has been defined as: "Waste electrical and electronic equipment, whole or in part or rejects from their manufacturing and repair process, which are intended to be discarded". Whereas, Electrical and electronic equipment has been defined as: "Equipment which is dependent on electrical currents or electro-magnetic fields to fully functional". In general terms e-waste is any end of life electronic product which is scrap and can not be used in any manner e.g. air conditioners, refrigerator, batteries, television, mobiles, etc. Managing of e-waste from cooling appliances is most important because it contains harmful substances like oil or refrigerant which can endanger the environment and human health. By scientific disposal of

e-waste we can save our environment and also prevent its potential negative consequences on human health. There is need to encourage recycling of all useful and valuable material from e-waste so as to conserve the ever depleting natural resources. Recycling end-of-life products is vital if we are to save resources and minimize waste.

Impact of improper handling/ dumping/disposal/accidental breakage/recycling of E- waste:

- Toxic material present in e-waste get mixed with earth, air, water etc and causes health issues.
- Oil & Gases which are present in the appliances can cause environmental pollution.
- Batteries contains highly hazardous substances.
- Burning of rubber and plastics (including foam) can cause air pollution and can have a bad impact on human being and animals.
- Wastage of natural resources.

How can you recycle the E-Waste Products? (Do's):

- All electrical and electronic products are required to be handed over only to the authorized recycler for recycling and disposal.
- Keep the e-waste in isolated area, after it becomes non-functional/un-repairable so as to prevent its accidental breakage.
- You can deposit your appliance for e-waste directly at the collection centers. For information of collection centers, please call on Customer Care number 7038-100-400

Don'ts for E- Waste:

- The product should not be opened by the User himself/herself, but only by authorized service personnel.
- To protect the environment neither the cooling circuit shouldn't be damaged nor the compressor removed before the oil and refrigerant was suck up professionally.
- The product is not meant for re-sale to any unauthorized agencies/scrap dealer.
- The product is not meant for mixing into household waste stream.
- Do not keep any replaced spare part(s) from the product in exposed area.

This product is complied with the Reduction of Hazardous Substances and doesn't use any hazardous substances as specified under the E-Waste (Management) Rules, 2022"

For any assistance/guidance for disposal and channelization of e-waste please call on **Customer Care number 7038-100-400.**

WARRANTY TERMS AND CONDITIONS

Warranty Classification

The **Liebherr Refrigerator** (“**Refrigerator**”) manufactured by Liebherr Appliances India Private Limited (“**LIEBHERR**”) comes with a **TEN years warranty on compressor** and a **ONE year warranty on all other parts** (except LED, glass, add-on plastic parts and accessories). Warranty will be applicable only against defective material or workmanship & will be effective from date of purchase. In case of any such defect found during the first year from the date of purchase, LIEBHERR will undertake repairs to the warranted part free of charge, subject to the terms & conditions below. In the warranty period beyond the first year from the date of purchase, only the Compressor will be provided free of cost and any other part(s) can be repaired or replaced on payment of applicable charges. Warranty is confined to the first purchase of the Refrigerator only & is non-transferable. The maximum liability of LIEBHERR through this warranty is limited to the Refrigerator purchase value/MRP (whichever is lower). The warranty is exclusive and in lieu of any other warranty whether statutory, expressed or implied.

Instructions for the Customer

1. To avail the warranty, Refrigerator needs to be registered with LIEBHERR Customer care. Customer needs to call on 7038-100-400 for Refrigerator registration & installation. The necessary purchase invoice/purchase receipt needs to be produced by the Customer at the time of claiming the warranty.
2. Free installation or demo of the Refrigerator (Only for selected models), if applicable, can be availed only once and within 6 months from the date of purchase. In case of installation, any additional material required over and above the standard installation kit shall be on chargeable basis.
3. Earthing provision is necessary for personal safety & proper working of the Refrigerator. Please check earthing through certified electrician before switching ON the Refrigerator.
4. The Refrigerator must be maintained to ensure hygiene. If there are any insects, rodents in it causing obstruction to the functioning of the Refrigerator, LIEBHERR shall not be responsible & in turn, warranty stands terminated.
5. Any extended/additional warranty offered by LIEBHERR has to be supported by relevant proofs.
6. Usage not as per Instruction Manual shall be beyond the scope of warranty.

Note: At times you may face some issues related with water seepage from the back of the Refrigerator. This is due to improper defrosting, water evaporation or improper drain. This can be corrected by draining the excess water and by defrosting the refrigerator as mentioned in the Instruction Manual or you can contact LIEBHERR Customer care, who can guide you through the process. This will not be treated as a defect in the Refrigerator.

Terms

1. The Refrigerator has to be purchased from an Authorized LIEBHERR Sales Dealer in India only.
2. Warranty can be claimed only if the repair was carried out by the LIEBHERR Authorized Service Partner.
3. LIEBHERR shall not be liable for any loss, cost, expense, inconvenience or damage that may result from use or inability to use the Refrigerator.
4. Warranty shall entitle the customer only for repair or replacement of the Refrigerator/component and not for costs of installation, removal or damage to customer's property or other liabilities including any remote or consequential damages. LIEBHERR shall decide to repair or replace a Product at its sole discretion considering the extent of damage to Refrigerator/ component.
5. In the event of any unforeseen circumstance, and spares not being available LIEBHERR's prevailing depreciation rules will be binding on the Customer, and same shall be considered as a commercial solution in lieu of repairs.
6. Complaints related to printability, compatibility with external accessories shall not be considered as defect in Refrigerator and are not covered under warranty.

Conditions

1. The defective parts/Refrigerators which were replaced by LIEBHERR under this warranty shall be the property of LIEBHERR.

2. In case of a defective accessory, only the accessory will be repaired or replaced.
3. In case of repairs or replacement of any part/s of the Refrigerator, this warranty will thereafter continue and remain in force only for the unexpired period of the warranty. In particular, any performance of services subject to this warranty will not extend or renew the warranty period.
4. Expenses in relation to transportation and handling while repairing shall be borne by the Customer.
5. LIEBHERR shall not be liable for any losses or consequential losses due to Refrigerator failure or the installed software.
6. The Customer shall bear the necessary costs for any repairs of Sealed System gas charging after one year from the date of Purchase.
7. LIEBHERR shall strive but not be obligated to repair the Refrigerator at the earliest.
8. In case, the Refrigerator is used beyond the municipal limits of the jurisdiction of the authorized Customer Service Centre, charges incurred towards technician's visit will be borne by the Customer.
9. Refrigerator Warranty shall be Null &Void in below cases:
 - a. Installation / Repairs carried by any agency other than Liebherr Authorized Service Partner.
 - b. Refrigerator Serial number is removed, defaced or altered.
 - c. Improper ventilation, improper voltage, use of external material, normal wear & tear
 - d. Site (premises where the Refrigerator is kept / Installed) conditions that do not conform to the recommended operations of the Refrigerator. Negligence / omission of the Customer on account of periodic maintenance(s)/periodic servicing as mentioned in the Instruction Manual of the Refrigerator.
 - e. Exposure to moisture/dampness / extreme thermal or environmental conditions or rapid changes in such conditions/corrosions/oxidations/spillage of food/ liquid/influence of chemical substances.
 - f. Defects due to causes beyond control like lightning, abnormal voltage, spikes, external sources or cables, fire, water logging, natural calamities, commotion, riots, theft, anti-social actions, acts of God.
 - g. Defects caused by abuse, misuse, accident, casualty, alteration, negligence, tampering to parts, use on current or voltages other than those specified by Liebherr India, or application or installation not in accordance with published instruction manuals.
 - h. The Refrigerator is being used for commercial purpose OR if the Refrigerator has been used excessively and beyond reasonable usage as permitted within the Refrigerator Instruction Manual.
 - i. In any Circumstances, warranty will not be applicable if Refrigerator is operated outside of India.

Jurisdiction

1. All disputes arising out of this warranty are subject to **Aurangabad, Maharashtra jurisdiction** only.

Product Details & Serial No. : _____
Model No. : _____
Date of Purchase : _____
Customer Name : _____ Contact No. : _____
Customer Address : _____

Dealer's Stamp & Signature



Contact Us :

LIEBHERR

Customer Care Number

 **7038-100-400**

E-mail : customercare.lhi@liebherr.com

Website : home.liebherr.com

Liebherr Appliances India Pvt. Ltd. * A-1/6, Shendra MIDC, Aurangabad - 431 154