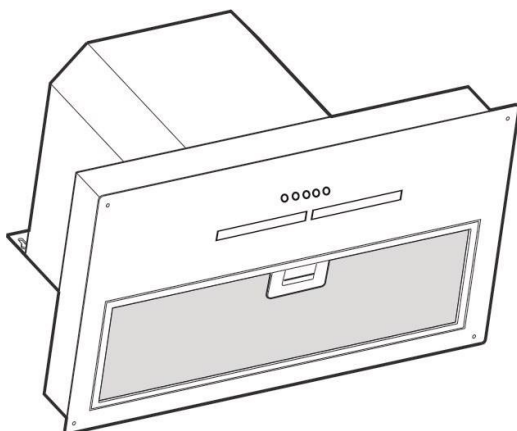




PUM60X&PUM90X RANGE HOOD INSTRUCTION MANUAL




Thank you for your purchase of this product. Please read the manual carefully before operating the appliance.



Contents



Introduction.....	1
Features.....	2
Installation.....	2
Charcoal filter (Optional).....	4
How To Use.....	5
Lamp Change.....	6
Safety Information.....	7
Trouble Shooting.....	8
Electrical Diagram.....	9
Specifications.....	10
Cleaning & Maintenance.....	11



Introduction

n

1.1 This appliance has been manufactured with materials and processes that respect the environment. We hope that you will continue this important consideration in the operation of this appliance & the disposal of the packaging materials, thank you.

1.2 The installation work must be undertaken by a qualified technician experienced in cooker hood installation. Please connect the correct power rating (*see page 6*).

1.3 The manufacturer disclaims all liability for any damage or injury caused as a result of not following the instructions for installation contained in the following text.

1.4 The appliance is not intended for use by young children or infirm persons without supervision.

1.5 Young children should be supervised to ensure that they do not play with the appliance.

1.6 The maximum number of burners covered by range hood should not exceed 5.

1.7 Any modifications to the appliance, electric wire and plug is dangerous & voids the warranty.

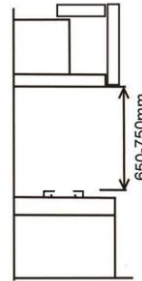
Features

2.1 This appliance is manufactured from top quality materials, and offers superb streamlined effects.

2.2 With high suction power and low noise, it is designed to remove cooking fumes from your kitchen quietly & effectively.

Installation (duct is not supplied)

3.1 The clearance between the highest part of the highest burner of a multi-burner gas cooking appliance and a range hood or exhaust fan (overhead clearance), shall be no less than 650mm for the range hood and 750mm for an exhaust fan (pic.1a) and no less than 600mm above an electric cooking product (pic.1b). The exhaust air must not be discharged into a flue which is used for exhausting fumes from other appliances burning gas or other fuels.



pic 1a (gas product)

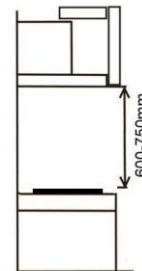
3.2 To install, drill 2 holes of Ø8mm on a sturdy wall and in line with the hood.

3.3 Insert expending screws into the holes.

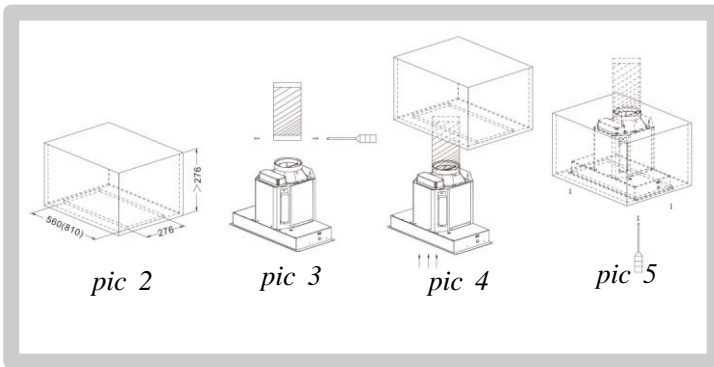
3.4 Fix drilling template on the wall (*see pic 2*).

3.5 The appliance should be embedded into the wall unit or another support. This process should be carried out by 4 screws suitable for the kind of unit following the instructions for the drilling of the holes as shown in (*see pic 3*).

3.6 Attach the duct to the one way valve, and connect it to the kitchen outlet vent (*see pic 4*).



pic 1b (electric product)



3.7 Ensure that the wall to be installed on is sufficiently sturdy to carry the weight of the hood. It should be mounted level for best performance (*see illustration*).

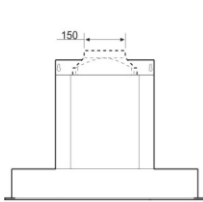
3.8 Do not connect to a common vent with other appliance such as gas heater, water heater, laundry dryer etc.

3.9 The duct should not be bent more than $\geq 120^\circ$ from the one way valve outlet to the kitchen vent.

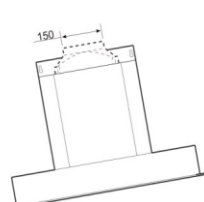
3.10 Check to make sure that the electric chord is not in contact with sharp edges of the appliance.

3.11 Be sure that the plug is accessible after installation.

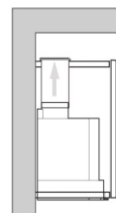
Warning: Failure to install the screws or fixing device in accordance with these instructions may result in electrical hazards.



Right



Wrong



Charcoal filter (Optional)

The hood can be fitted with a charcoal filter which can make your kitchen cleaner.

Step 1. Take out the charcoal filter from the package.(see pic 6)

Step 2. Buckle the filter on the air cabinet and push it up.
(see pic 7,8,9)

Step 3. push the charcoal filter and let the magnet attract the air cabinet.(see pic 10)



pic 6



pic 7



pic 8



pic 9

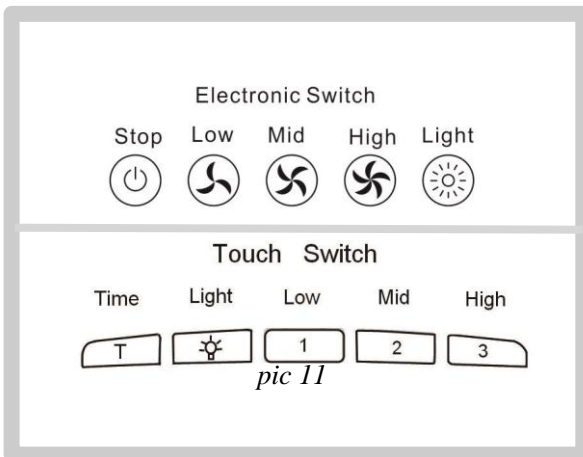


pic 10

How To Use

3 Speed adjustment (see pic 11).

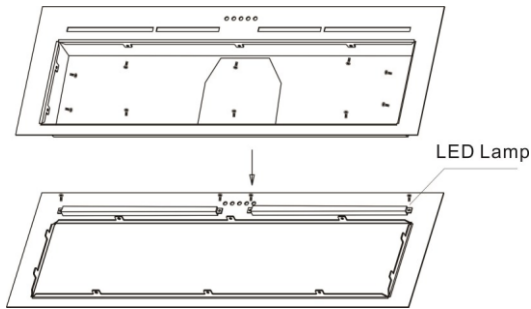
- ◆ Push Stop button, and the motor will stop.
- ◆ Push the Low button, and the motor runs at low speed.
- ◆ Push the Mid button, and the motor runs at mid. speed.
- ◆ Push the High button, and the motor runs at high speed.
- ◆ Push the Light button, and the two lighting lamps illuminate. Push it again and the lamp will turn off.
- ◆ On any speed, push “T” & the delay timer will switch off the hood after 5 minutes.



Lamp Change

As with any maintenance on the appliance, first turn off the power supply by unplugging from the wall socket.

1. Remove the filters from the appliance.
2. Unload the screws on the stainless steel hood panel.
3. Remove the stainless steel panel before changing the lamp (*see pic 12*).
4. Change the lamp (LED Lamp Max.2W) and then reinstall in the reverse manner.



pic 12

Safety Information

- ◆ There must permanent & adequate ventilation of the room when operating the range hood with appliances burning gas or other fuels.
- ◆ Do not check the status of the filters when the range hood is operating, wait at least 30 minutes after switching off to avoid scalding.
- ◆ Do not touch the (Halogen) light within 30 minutes after appliance use.
- ◆ Avoid operating a gas cooker when there is no pan on the stove, it is a fire hazard and may cause damage to the hood filters.
- ◆ Disconnect the electrical plug prior to any maintenance.
- ◆ This appliance is not intended for use by young children and persons unless they have been adequately supervised by a responsible person to ensure that they can use the appliance safely.
- ◆ The range hood is for home use only and is not suitable for outdoor, barbecue, and other commercial applications.
- ◆ The range hood and its filter should be cleaned regularly for best performance.
- ◆ Before cleaning, please confirm that the power is switched off.
- ◆ Building regulations concerning the discharge of exhaust air have to be fulfilled.
- ◆ Don't cook with an open flame under the range hood.
- ◆ For any technical issues ensure that a suitably qualified person effects any repairs or inspection.

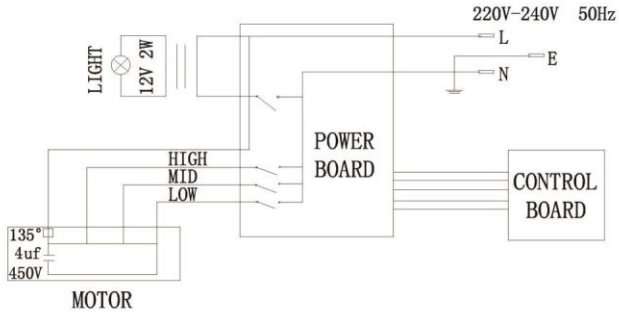
Trouble Shooting

If any problem occurs, please detach the plug from the socket and contact the manufacturer or its service agent or a similarly qualified person in order to avoid a hazard.

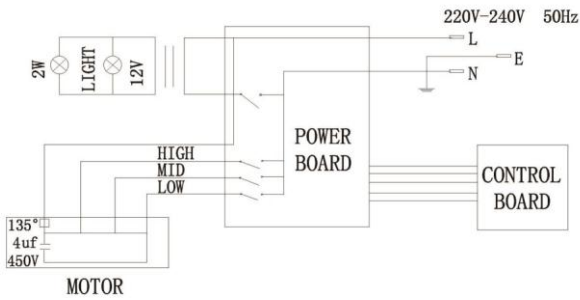
Problem	Cause	Solution
Light on, but motor does not work	The outlet valve is blocked	Detach flue and duct then turn on the hood to check if the valve opens
	The capacitor has failed	Call for technical service
	The control switch has failed	Call for technical service
Light does not work, motor does not work	No power supply	Plug another appliance into the socket to confirm there is power supply
Vibration	The propeller is damaged or unbalanced	Call for technical service
	The hood is not installed correctly	Review the installation instructions & check the installation again for loose screws, brackets or connections
Insufficient suction effect	The distance between the hood and the cooker is too high.	Check that the distance is between 650mm to 700mm
	The filters are saturated	Clean the grease filters regularly and replace the charcoal filters every 6 months.

Electrical Diagram

PUM60X



PUM90X



Specifications

PUM60X

Power Supply	220V~240V 50Hz
Rated Input Power	140W
Lighting Power	2W×1
Motor Power	138W
Outlet Diameter	150mm

PUM90X

Power Supply	220V~240V 50Hz
Rated Input Power	142W
Lighting Power	2W×2
Motor Power	138W
Outlet Diameter	150mm

Cleaning & Maintenance

Warning: Before cleaning, please ensure that the power is switched off by detaching the plug from the wall socket.

10.1 Clean the surface of hood every week with mild soap or detergent . Avoid solvents, acid, alkali, scouring pads or powders that could irreparably damage the stainless steel surface.

10.2 The grease filters may be washed using mild soap, detergent or degreasing agent.

10.3 Charcoal filters cannot be cleaned and must be generally replaced after 6 months of use.

Installation Diagram

