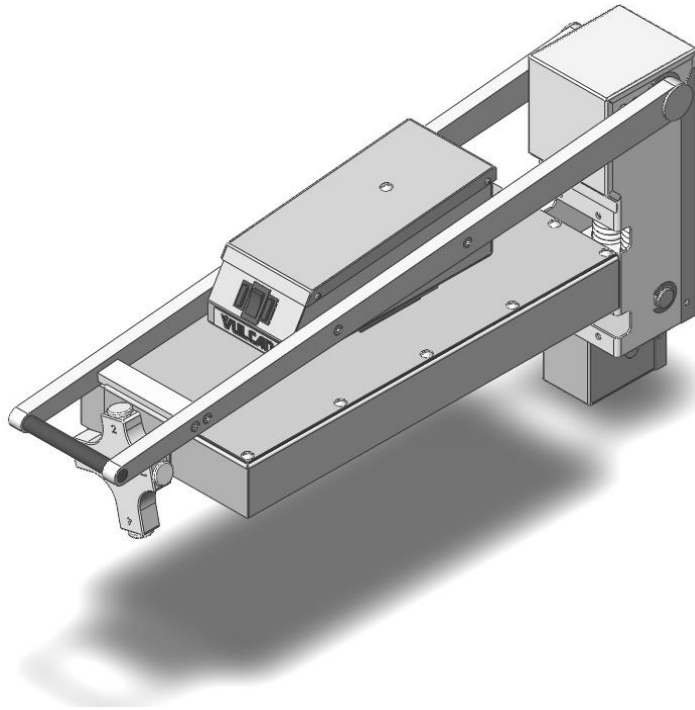




OPERATION AND FIELD INSTALLATION MANUAL VMCS Heavy Duty Electric Griddle Top

MODELS

VMCS-101
VMCS-102
VMCS-201
VMCS-202



VMCS-101

For additional information on Vulcan or to locate an authorized parts and service provider in your area, visit our website at www.vulcanequipment.com

TABLE OF CONTENTS

OPERATIONS

Installation.....	3
Electrical specifications.....	3
Controls.....	5
Raising/lowering griddle top.....	6
Teflon wrap installation.....	6
Plate gap adjuster.....	7
Using the griddle.....	8
Care and cleaning.....	8
Shutdown.....	9
Maintenance.....	10

FIELD INSTALLATION ASSEMBLY

Tools required.....	10
Mounting bracket assembly.....	11
Mounting bracket installation.....	11
Griddle top installation.....	14
Mounting plate installation.....	14
Bumper stop installation.....	17
Range of motion.....	17
Electrical connections and specifications.....	18
Wiring diagram.....	19
Troubleshooting.....	20

VMCS HEAVY DUTY ELECTRIC GRIDDLE TOP

GENERAL

VMCS Heavy Duty Electric Griddle Tops are produced with quality workmanship and materials. Proper installation, usage and maintenance of the griddle top will result in many years of satisfactory performance.

Thoroughly read this entire manual before beginning and carefully follow all of the instructions provided.

INSTALLATION

Before installing, check the electrical service to make sure it agrees with the specifications on the rating plate. If the supply and equipment voltages do not agree, do not proceed with the installation. Contact your dealer or Vulcan-Hart immediately.

INSTALLATION CODES AND STANDARDS

Your Vulcan griddle top must be installed in accordance with:

In the United States of America:

1. State and local codes
2. National Electrical Code ANSI/NFPA – 70 (latest edition) available from The National Fire Protection Association, 1 Batterymarch Park, Quincy, MA 02269.
3. NFPA Standard #96 Vapor Removal from Cooking Equipment, (latest edition) available From the National Fire Protection Association, Batterymarch Park, Quincy, MA 02269.

In Canada:

1. Local code
2. Canadian Electrical Code C22.1 Part 1 (latest edition) available from the Canadian Standard Association, 5060 Spectrum Way, Suite 100, Mississauga, Ontario, Canada, L4W 5N6.

ELECTRICAL SPECIFICATIONS				
Model No	Description	Voltage	Power	1 Phase Draw
VMCS-101	FLAT PLATE	208V	3.6 KW	17.3 A
VMCS-102		240V		15.0 A
VMCS-201	GROOVED PLATE	208V		17.3 A
VMCS-202		240V		15.0 A

UNPACKING

This griddle top was inspected before leaving the factory. The carrier assumes full responsibility for the safe delivery upon acceptance of the shipment. Check for possible shipping damage immediately after receipt.

If the griddle top is found to be damaged, complete the following steps:


1. Carrier must be notified within 5 business days of receipt.
2. Carrier's local terminal must be notified immediately upon discovery (note time, date, and who was spoken to), and follow up and confirm with written or electronic communication.
3. All original packing materials must be kept for inspection purposes.
4. The griddle top cannot have been moved, installed, or modified.
5. Notify Vulcan Customer Service immediately at 800-814-2028.

Check that the following have been included:

- Bumper stop assembly(see page 16)
 - (4) Bumper stop assembly mounting screws
- (2) Mounting plates (see page 14)
 - (4) M10 mounting plate screws
 - (4) M10 mounting plate lock washers
- Teflon sheet kit (see page 6)
 - (2) Teflon sheets
 - (2) Teflon clips
 - Teflon bracket

The VMCS mounting bracket (see page 11) is a separate accessory and shipped in another package. It is recommended that you specify factory mounting of the bracket if you are purchasing a new griddle with the VMCS Heavy Duty Electric Griddle Top.

 WARNING The griddle and its parts are hot. Use care when operating, cleaning or servicing the griddle.

 WARNING Disconnect power supply and follow lockout / tagout procedures before cleaning and servicing the appliance.

BEFORE FIRST USE

Remove all packaging material and protective plastic from the unit. It is recommended that you clean your Vulcan VMCS griddle top thoroughly with a mild soap and water. Wipe the griddle surface thoroughly with water and wipe dry with a soft clean cloth.

SEASONING THE GRIDDLE

Each time, before turning the unit on, apply high temperature cooking oil – about two ounces per VMCS top plate. Work the oil into the whole griddle surface.

After cleaning your griddle with chemicals, you should repeat the seasoning procedure for proper cooking.

CONTROLS

The heavy duty electric griddle top section is independently controlled by a power switch, thermostat and high limit cutoff switch. When the power switch (red rocker switch) is turned ON, the left amber light will illuminate and power will be supplied to the thermostat. The thermostat cover must be removed to access the thermostat adjustment knob.

When the thermostat is turned ON, the amber indicator light to the right of the power switch will illuminate to indicate that the element is on. When the griddle plate reaches the desired temperature set point, the element will be turned off and the amber indicator light will go off. The high limit cutoff switch is a safety feature that will cut power to the heating element to prevent overheating. The high limit switch can be reset by depressing the high limit reset button. At the end of each day, you must push the power switch to the OFF position to turn off power to the griddle top section. See Fig. A.

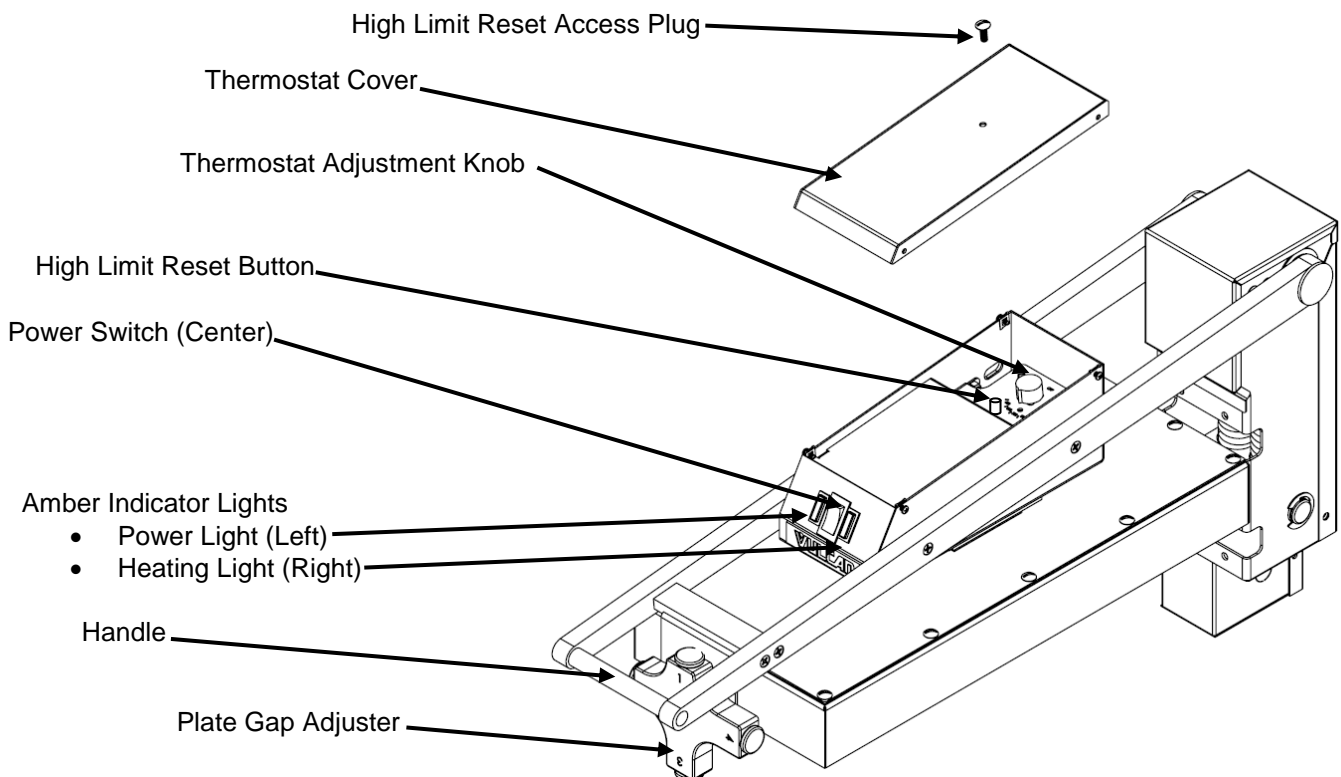
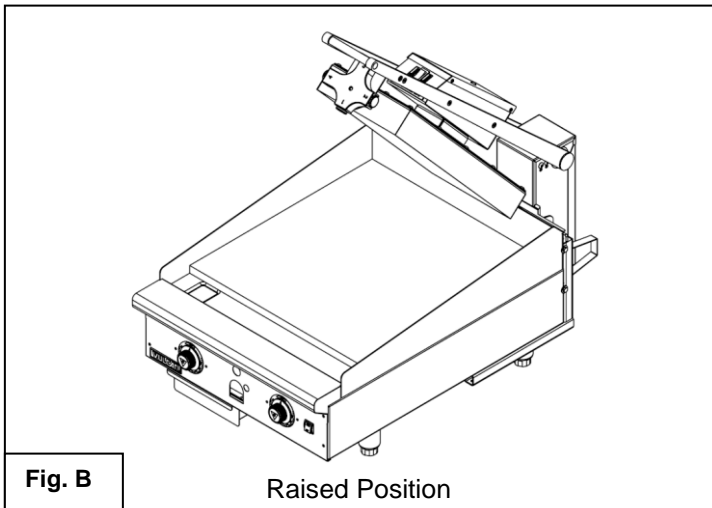


Fig. A

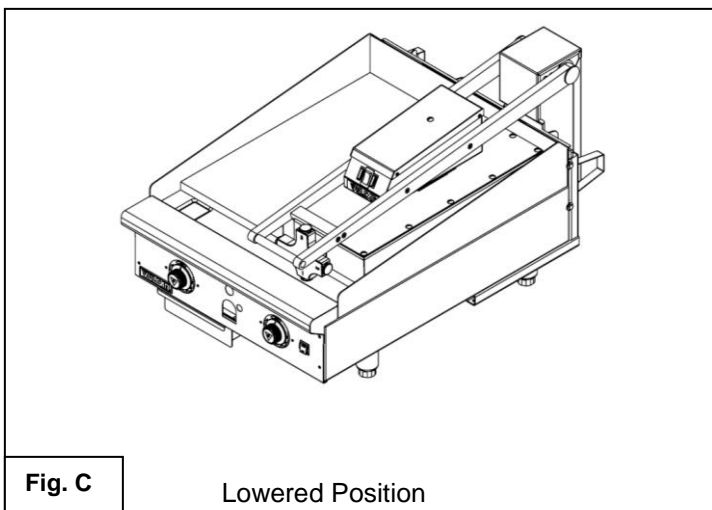




To raise the assembly

1. Lift by the handle only
2. Hold handle until assembly holds in place at the approximate 53° position. Fig. B

⚠ WARNING Always hold handle to maintain control of the unit until lifting mechanism holds in the desired raised position or rests in the lowered position. Do not allow unit to swing upward or downward under its own power as this may result in injury or equipment damage.

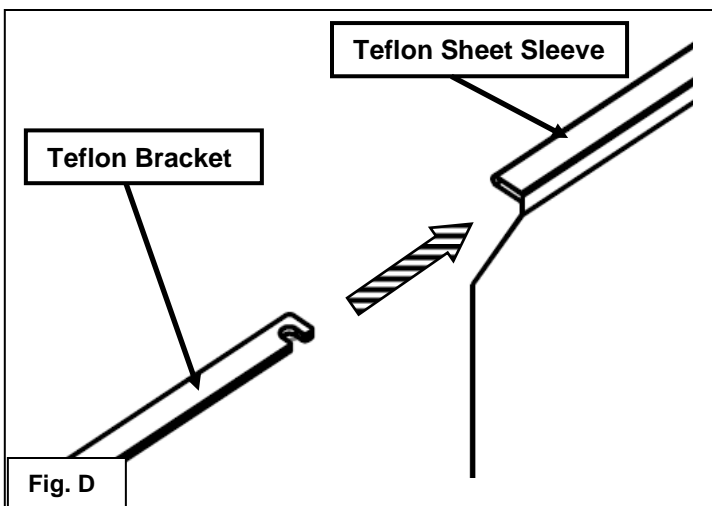


To lower the assembly

1. Grasp the handle and pull downward. Continue to hold handle until the unit stops in lowered position. Fig. C

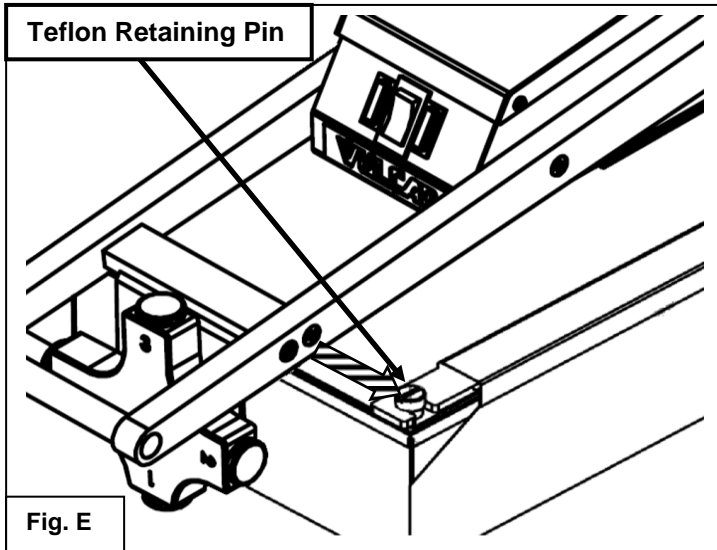
NOTICE Do not force unit if it does not move up and down in the prescribed manner. The assembly may be damaged by the application of excessive upward or downward force. Contact an authorized service contractor if assembly becomes difficult to move.

TEFLON WRAP INSTALLATION



⚠ WARNING The griddle and its parts are hot. Use care when operating, cleaning or servicing the griddle.

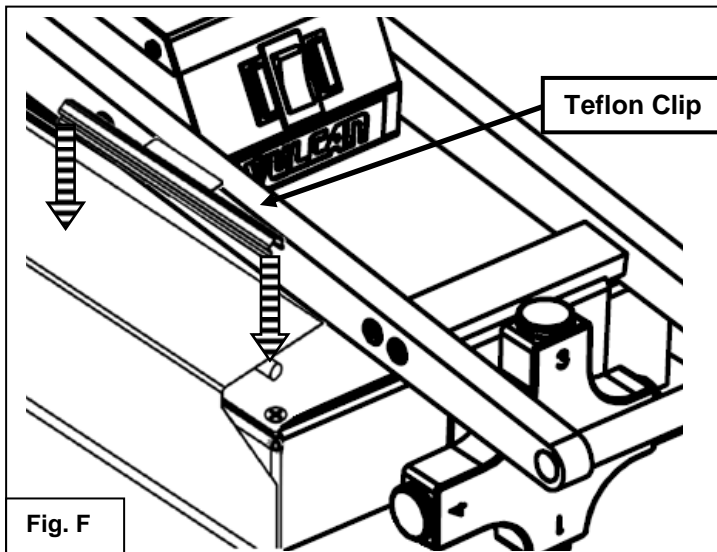
1. Clean off platen using soft cloth, water and mild soap solution.
2. Slide the Teflon bracket (#944503) into the sleeve of the Teflon sheet as shown in Fig. D.



3. Raise the platen to the 53° raised position. Drape the Teflon sheet from the right side of the platen by hooking the front and back of the Teflon bracket to the Teflon retaining pins. See Fig. E.

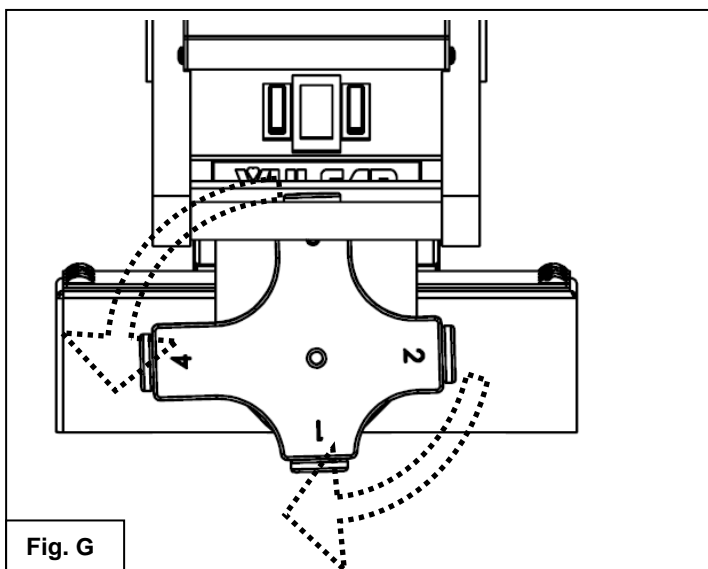
4. Pull the Teflon sheet from the right side around the face of the platen cooking surface to the left side.

5. Pull the Teflon sheet tight and ensure the cooking surface of the platen is completely covered by the Teflon sheet.



6. Secure the Teflon sheet to the left side of the platen with the two Teflon clips. Push the clips down over the Teflon sheet, clipping onto the round rods underneath the sheet. See Fig. F.

PLATE GAP ADJUSTER



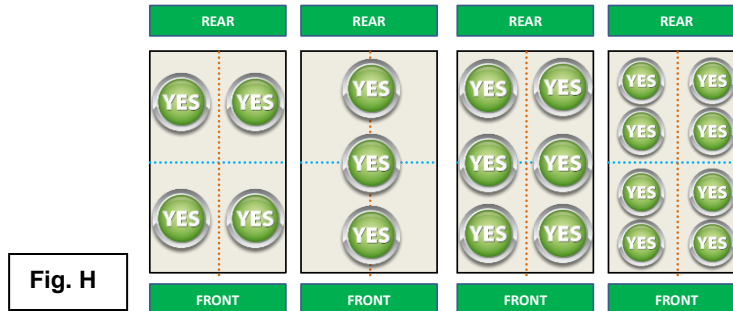
The plate gap adjuster is used to prevent soft foods from being crushed by the downward force of the unit. The "1" setting would be used for the smallest or no gap with "4" being used to create the largest gap.

Settings are changed by rotating the gap adjuster body to the left or right until it locks in place at the desired setpoint.

USING THE VMCS ELECTRIC GRIDDLE TOP

To preheat, wipe the griddle top plate with cooking oil and set the thermostats for the desired temperatures 10-12 minutes before cooking.

A uniform and systematic approach to loading the griddle will produce the most consistent product results.



The flat cooking surface units feature the Rapid Recovery™ plate which is a composite material with a stainless steel surface. The grooved cooking surface units have plates composed of standard, carbon steel. Both cooking surfaces can be scored or dented by careless use of a spatula or scraper. Be careful not to dent, scratch, or gouge the plate surface. Do not try to knock off loose food that may be on the spatula by tapping the corner or the edge of the spatula on the griddle surface. Do not use hardened steel spatulas. Use mild steel spatulas with rounded corners.

CARE AND CLEANING

⚠ WARNING The griddle and its parts are hot. Use care when operating, cleaning or servicing the griddle.

Clean the electric griddle top regularly. A clean griddle always looks better, lasts longer and performs better. To produce evenly cooked, perfectly browned griddle products keep the griddle plate clean and free of carbonized grease. Carbonized grease on the surface hinders the transfer of heat from the griddle surface to the food, resulting in spotty browning and loss of cooking efficiency. Carbonized grease tends to cling to griddle foods, giving them a highly unsatisfactory and unappetizing appearance.

To keep the griddle clean and operating at peak efficiency, follow these procedures:

AFTER EACH USE

Clean the electric griddle top with a griddle scraper during the work shift. Keep the griddle scraper head flat to avoid scratching or gouging the plate. Use a cooking release agent to prevent product from sticking to the griddle top cooking surface.

ONCE PER DAY

Thoroughly clean all stainless steel exterior panels and surfaces. Clean the cooking surface with a non-metallic scouring pad (Scotch-Brite™).

ONCE PER WEEK

Clean the griddle surface thoroughly. A mild detergent solution may be used on the plate surface to help clean it, but be sure the detergent is thoroughly removed by wiping down with clear water. After removal of detergent from the surface of the plate, the griddle should be coated with cooking oil according to the instructions in this manual. Clean stainless steel surfaces with a damp cloth and polish with a soft dry cloth. To remove discoloration, use a griddle cleaner. If the griddle usage is very high, consider conducting this weekly cleaning procedure more than once per week.

Do not use a brick or griddle stone for cleaning.

Do not use metallic scouring pads for cleaning.

Do not use a water-jet to clean the griddle.

Do not use chlorine sanitizer in contact with griddle. Contact can cause discoloration, corrosion and permanent damage.

Do not use cleaning agents including Sodium Hydroxide, which is common in household oven cleaners. Contact can cause discoloration, corrosion and permanent damage.

CARE AND CLEANING OF TEFLON WRAP

1. In between cooking runs and during idle periods, the Teflon sheet should be wiped off with water and a clean soft cloth.
2. After each day the Teflon sheet should be removed from the platen(s), disassembled and placed in water with mild soap solution (no abrasive or harsh chemical cleaners should be used). Gently wash both sides of the Teflon sheet and the hardware with the soft clean cloth in the mild soap solution.
3. Using water, rinse the Teflon sheet and hardware thoroughly on both sides.
4. Dry the Teflon sheet and hardware using a clean soft cloth.
5. Before reassembling the Teflon sheet to the platen, clean the platen as described in Care and Cleaning section.

SHUTDOWN OF GRIDDLE

1. Set the power switch to the OFF position. This will shut down the griddle top completely.
2. Leave unit in the raised, 53° position.

EXTENDED SHUTDOWN

1. Set the power switch to the OFF position. This will shut down the griddle top completely.
2. Leave unit in the raised, 53° position.
3. Apply a light coating of cooking oil on the grooved (steel) plate to inhibit rust.
4. Shut off the main electrical supply

MAINTENANCE

⚠ WARNING The griddle and its parts are hot. Use care when operating, cleaning or servicing the griddle.

⚠ WARNING Disconnect power supply and follow lockout / tagout procedures before cleaning and servicing the appliance.

LUBRICATION

There are no parts on this unit that require lubrication.

SERVICE AND PARTS INFORMATION

Contact the Authorized Service Contractor in your area to obtain service and parts information. For a complete listing of Service and Parts depots refer to www.vulcanequipment.com.

When calling for service the following information should be available from the appliance serial plate: Model Number, Serial Number and voltage.

FIELD INSTALLATION ASSEMBLY

Contact the authorized service contractor in your area for field installation.

The field installation instructions are prepared for the use of trained service technicians and should only be used by those who are properly qualified. These instructions are not intended to be all encompassing. You should read, in its entirety, the installation instructions to determine if you have the necessary tools, instruments and skills required to perform the procedure. The field installation should not be attempted if you do not have the necessary tools, instruments and skills.

TOOLS REQUIRED FOR FIELD INSTALLATION

1. #2 Philips head screw driver
2. M10 socket driver
3. 7/16" socket driver
4. Rubber mallet
5. Power drill
6. 7/8" deep well socket wrench
7. (2) large "F" clamps
8. 5/32" drill bits for metal
9. Thread lock compound (Loctite Blue®)
10. 3/4" wide masking tape

BRACKET ASSEMBLY AND INSTALLATION

⚠ WARNING The griddle and its parts are hot. Use care when operating, cleaning or servicing the griddle.

⚠ WARNING Disconnect power supply and follow lockout / tagout procedures before cleaning and servicing the appliance.

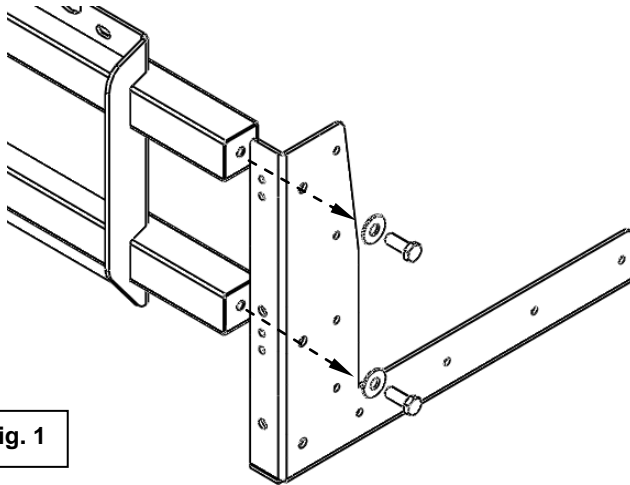
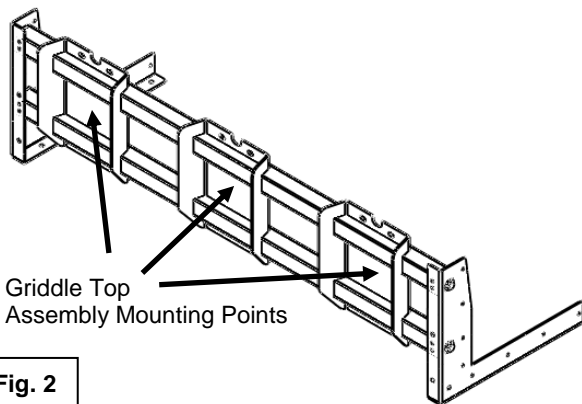


Fig. 1



Griddle Top
Assembly Mounting Points

Fig. 2

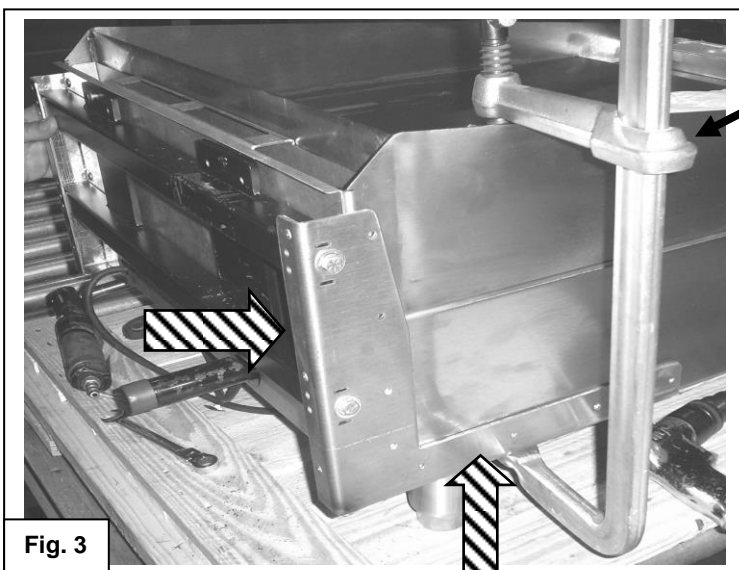
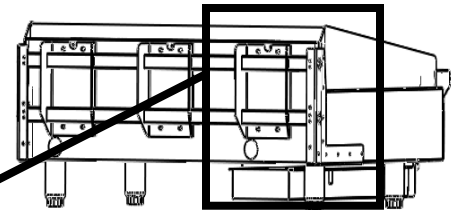


Fig. 3

Prior to assembly, make sure the mounting bracket is the correct size. The back bracket should match the width of the griddle. Make sure the griddle top electrical specifications match the available service. Each griddle top will require its own separate electrical service.

1. Using (2) washers and (2) ¼"-28 bolts, assemble one of the side mount brackets to the back bracket as shown in Fig. 1. The bolts should be hand tightened only at this point. Repeat procedure to attach the other side mount bracket to the other end of the back bracket.
2. The entire mounting bracket system should be assembled at this point as shown in Fig. 2 with bolts hand tightened only.



3. Slide mounting bracket system onto back of the griddle as shown in Fig. 3. The left and right side brackets should be pushed up until stopped by the bottom of the griddle and pushed forward until stopped by the griddle back panel. Secure the mounting bracket system at this location with a "F" clamp on each side of the assembly as shown. Place a wood block or other type of protection between clamp and griddle plate.

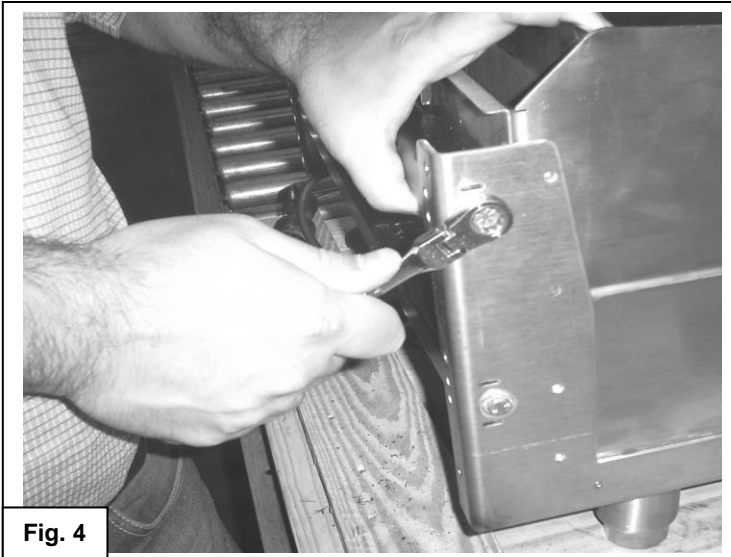


Fig. 4

- Securely tighten the mounting bracket system assembly bolts at the left and right side mounting brackets.
Fig. 4.



Fig. 5

- Check that the left and right mounting brackets have not moved from position while the assembly bolts were tightened. The "F" clamps should still be in place to prevent the assembly from moving while drilling holes in the chassis.

Check before drilling holes in chassis, it is important that the assembly has not moved from the location prescribed in step # 3

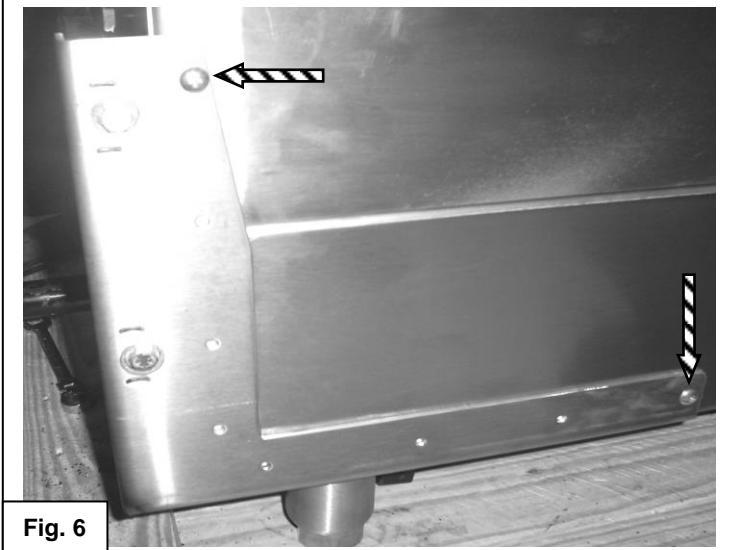


Fig. 6

- Using the side mounting bracket as a guide, drill holes into the griddle chassis with the 5/32" bits only at the highest hole and the hole nearest the front of the unit on the side bracket. See Fig. 5 and Fig 6. Repeat procedure for opposite side of bracket system assembly.

- Insert and tighten 10-24 x 1/2 screws into the holes that were drilled in step 6. Repeat procedure for opposite side of bracket system assembly. See Fig. 6.

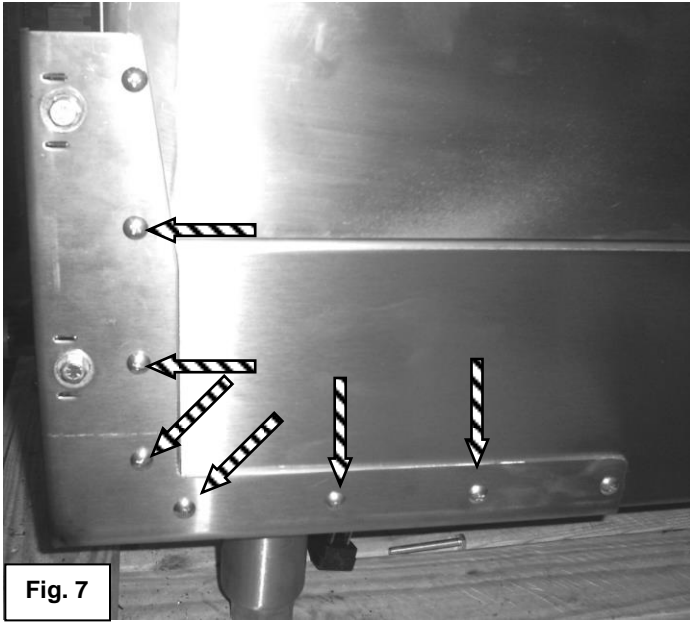
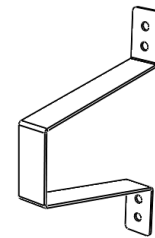


Fig. 7

8. Drill the remaining holes through the side mounting brackets into the griddle chassis. Insert and tighten screws as shown in Fig. 7. Repeat procedure for the other side of the assembly.

9. Drill holes with 5/32" bits from the rear of the side mounting bracket into the back mounting bracket and install wall spacer with (4) 10-24 x 1/2" screws as shown in Fig. 8. Repeat procedure for the other side of the assembly.



Wall Spacer

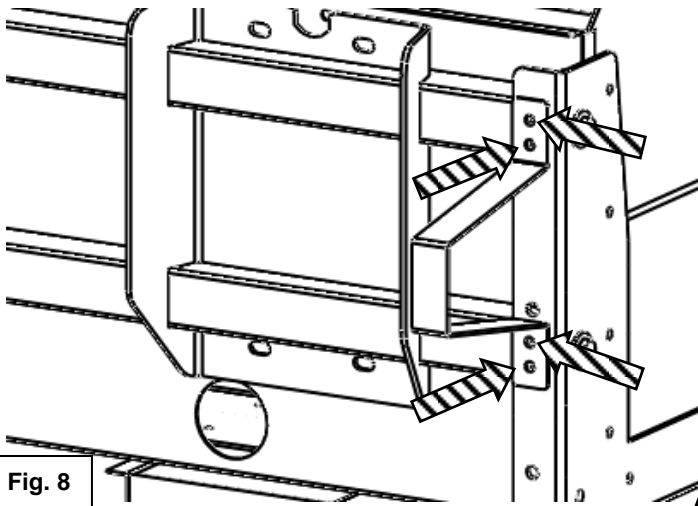
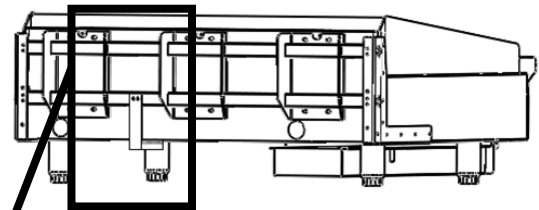


Fig. 8



10. Install one bottom support bracket every two feet of griddle width between griddle top mounting points as needed for additional support. Bottom support brackets should be flush with bottom of griddle chassis and back mounting bracket. Drill two holes with 5/32" bits and attach with 10-24 x 2" screws as shown in Fig.9 to the back mounting bracket. Repeat for each bottom support bracket needed.

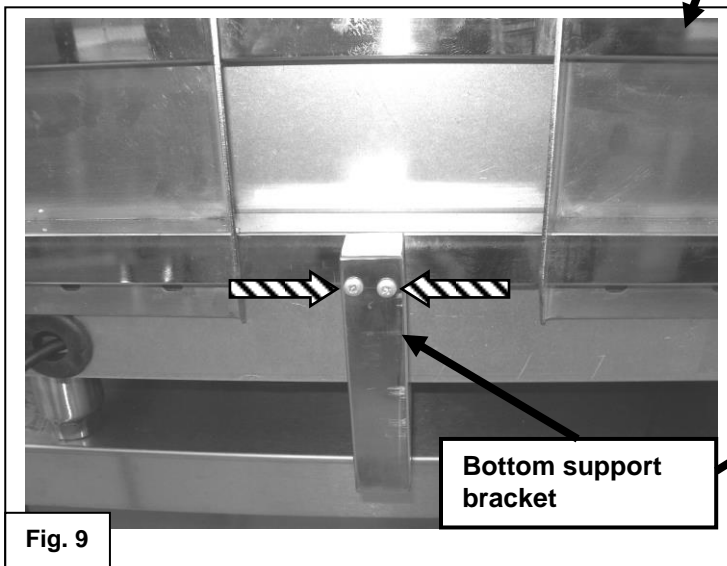
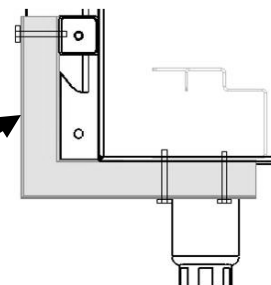


Fig. 9

Bottom support bracket



Cutaway side view

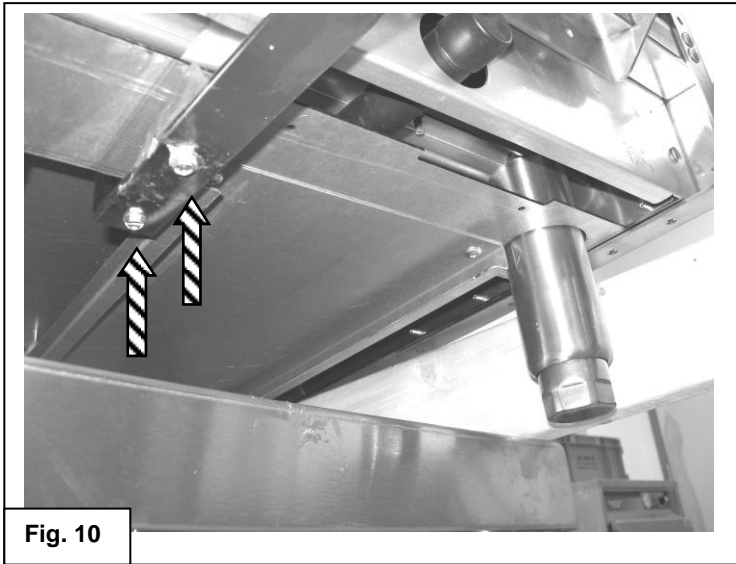


Fig. 10

⚠ WARNING It may be necessary to angle the griddle and hang one of the four legs off the edge of the table at a time to complete step 11. Ensure that the griddle is safely supported and this step is accomplished with aid of a second person.

11. Drill two holes with 5/32" bits through bottom support brackets and into the bottom of griddle chassis. Insert and tighten 10-24 x 2" screws as shown in Fig.10. Repeat as necessary for all bottom support brackets.

GRIDDLE TOP INSTALLATION

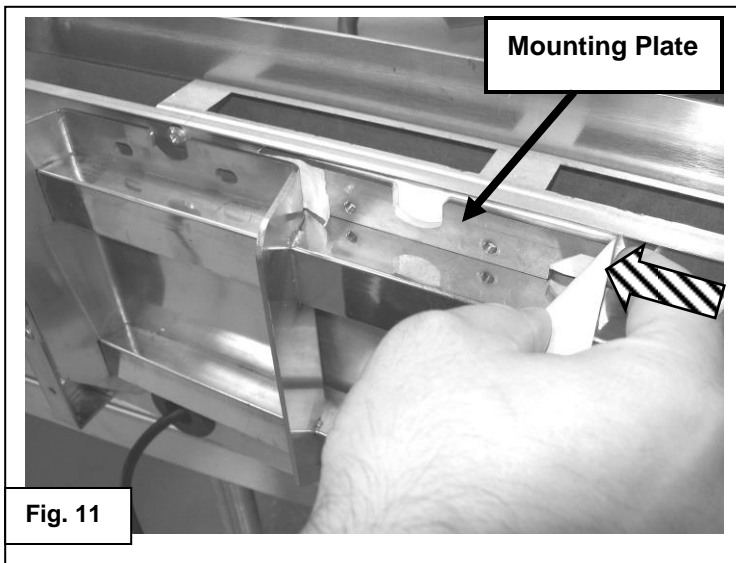
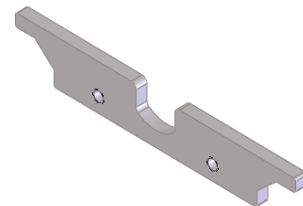


Fig. 11

12. Attach masking tape to mounting plate and slide into position between the griddle back panel and the top of the selected griddle top mounting point as shown in Fig. 11.



Mounting Plate

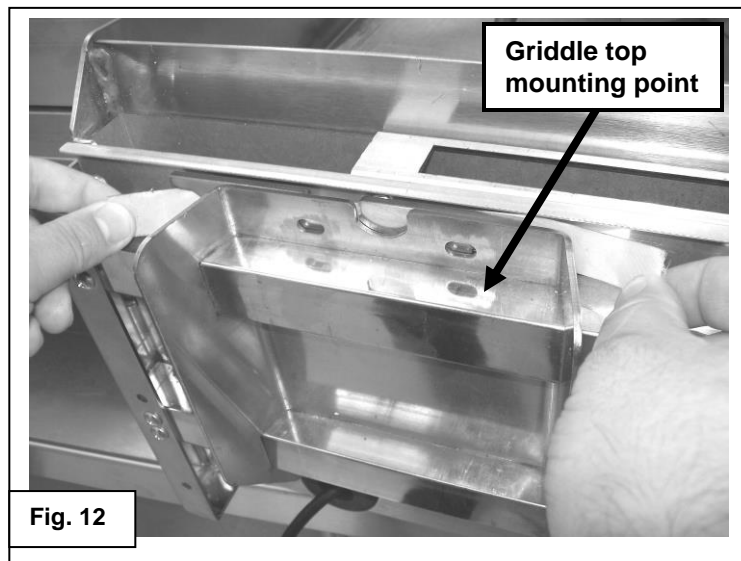


Fig. 12

13. Use tape to align holes in mounting plate with holes in griddle top mounting point as shown in Fig. 12. Tape to hold in position until installation of griddle top is complete. Repeat steps 12 and 13 for the bottom mounting point.

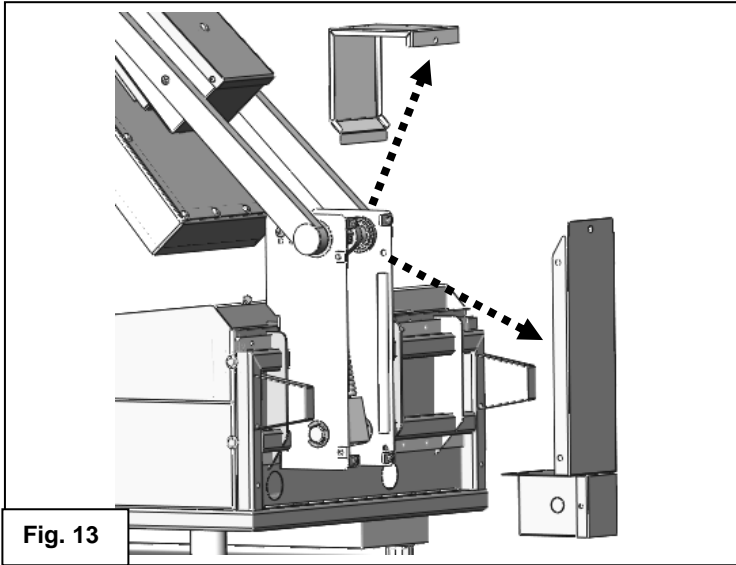


Fig. 13

14. Place cardboard or other protective covering on the gas griddle surface to prevent scratching.

⚠ WARNING Ensure that the unit is safely supported and steps 15 through 20 are accomplished with aid of a second person.

15. Remove top and rear spring armature covers. Set into place in the raised position. Fig. 13.

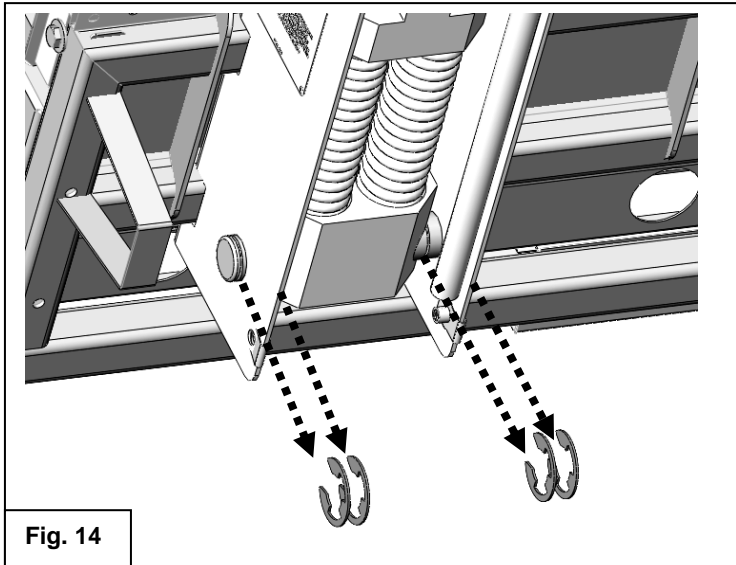


Fig. 14

16. Remove the four retaining clips that secure the lower pivot rod. Fig 14.

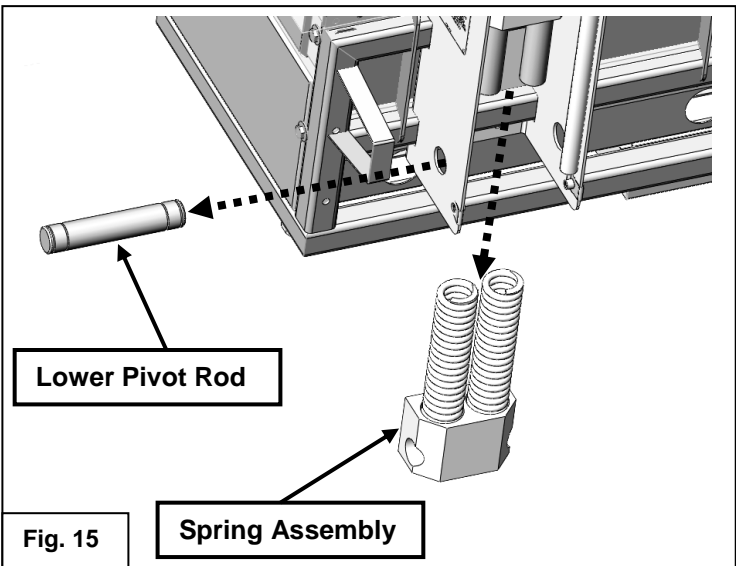
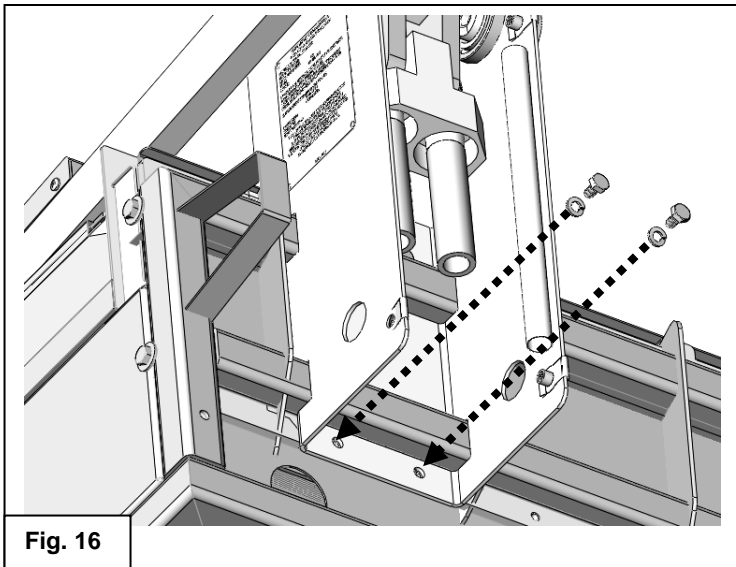


Fig. 15

17. Remove the lower pivot rod, then remove the spring assembly as shown in Fig 15.



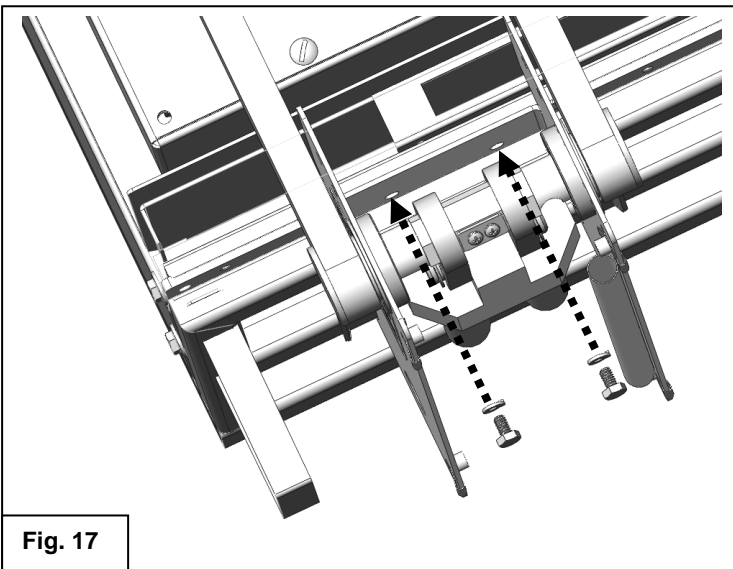


⚠ WARNING Ensure that the unit is safely supported and steps 15 through 20 are accomplished with aid of a second person.

NOTICE Apply a thread locking compound to the mounting bracket screws in steps 18 and 19.

18. Insert and tighten the bottom mounting bracket screws and washers. Fig.16.

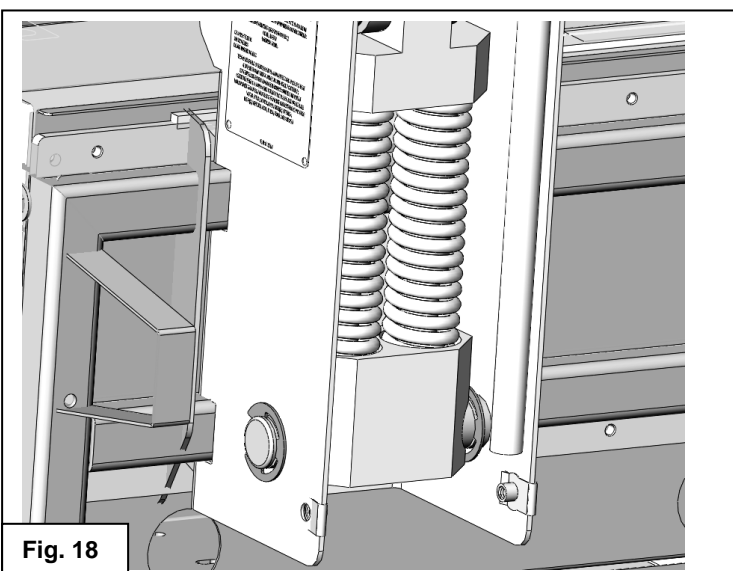
Ensure the mounting screws fully engage the mounting plate that is referenced in steps 12 and 13.



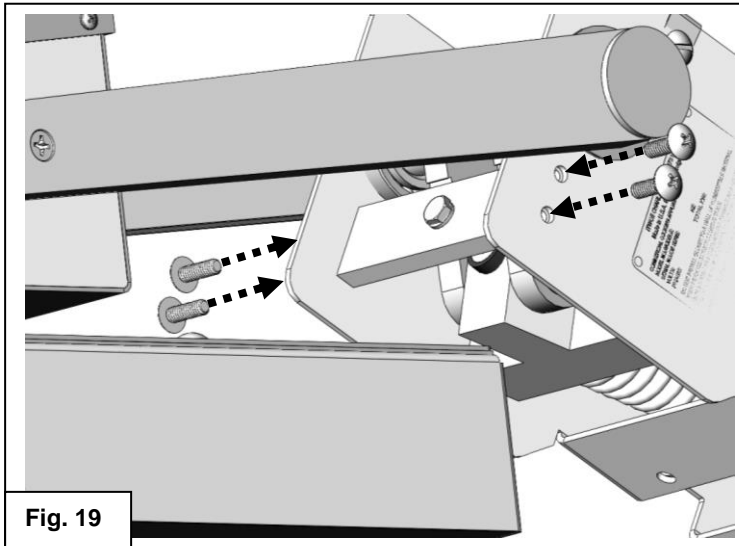
19. Set unit to lowered position as shown in Fig C on page 6. Insert and tighten the top mounting bracket screws and washers. Fig.17.

Ensure the mounting screws fully engage the mounting plate that is referenced in steps 12 and 13.

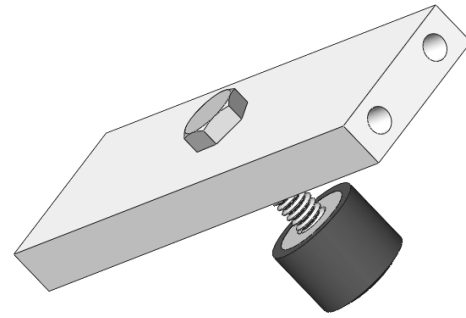
Recheck and tighten bottom mounting screws as necessary.



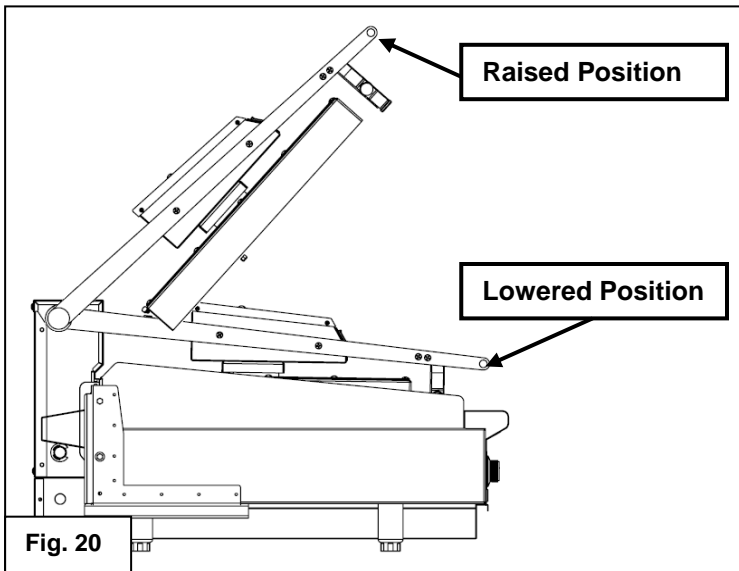
20. Reverse steps 16 and 17 to reinstall the spring assembly, lower pivot rod and four retaining clips. Fig.18



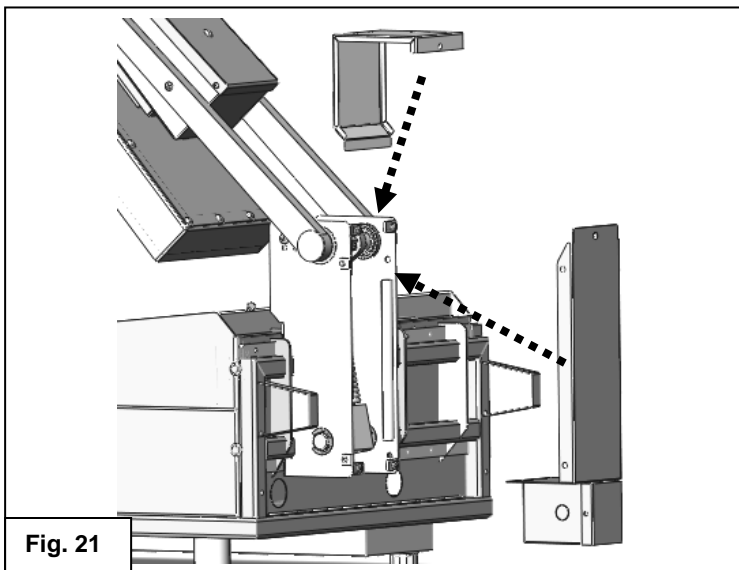
21. Install the bumper stop assembly into top of armature. Fig. 19



Bumper Stop Assembly



22. Check range of motion as shown in Fig. 20. The assembly should hold in place at the raised, 53° position and rest under its own weight in the lowered position. Refer to page 6 for proper raising and lowering technique.



23. Reinstall the top and rear spring armature covers. Fig. 21

24. Repeat preceding steps as needed for each griddle top head assembly.



ELECTRICAL CONNECTIONS

⚠ WARNING Electrical and grounding connections must comply with the applicable portions of the National Electrical Code and/or other local electrical codes.

⚠ WARNING Disconnect the electrical power to the griddle and follow lockout / tagout procedures.

Since the griddle top is not fused, you must connect to a fused circuit equipped with a suitable disconnecting means as required by local authorities.

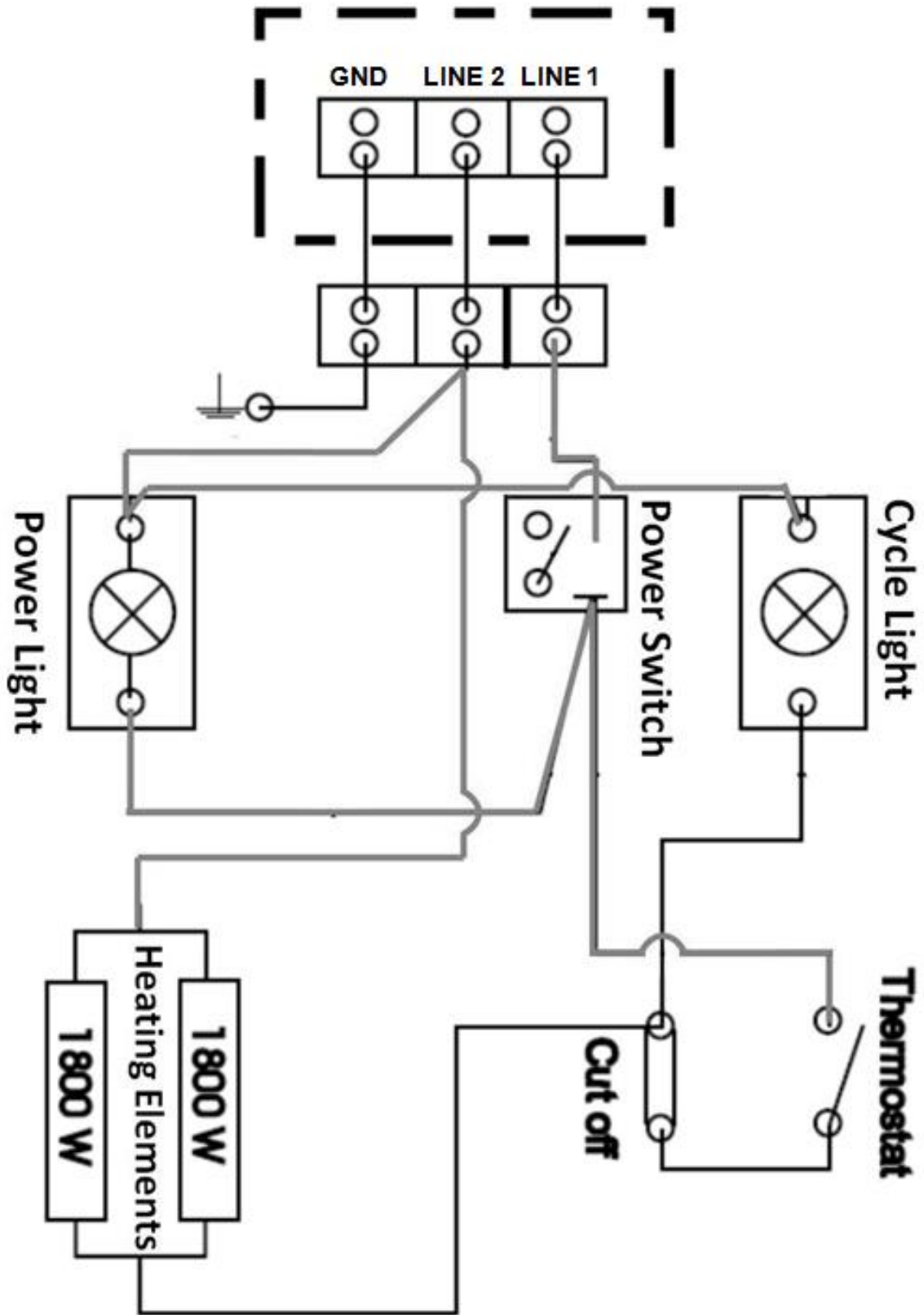
Electrical Connections

1. Remove the small junction box cover plate on the back of the unit. This exposes the VMCS clamshell griddle line leads.
2. Select a suitable knockout on the sides or bottom of the junction box.
3. Connect the griddle's line leads to the supply wires with factory supplied wire connectors as shown in the applicable wiring diagrams.
4. Push the excess wire into the junction box and replace the cover plate. Never operate griddle without cover in place.

ELECTRICAL SPECIFICATIONS				
Model No	Description	Voltage	Power	1 Phase Draw
VMCS-101	FLAT PLATE	208V	3.6 KW	17.3 A
VMCS-102		240V		15.0 A
VMCS-201	GROOVED PLATE	208V		17.3 A
VMCS-202		240V		15.0 A

WIRING DIAGRAMS

VOLTAGE 208 / 240



TROUBLESHOOTING

PROBLEM	POSSIBLE CAUSES
Heat does not come on when power switch is turned ON	<ol style="list-style-type: none"> 1. Thermostat set too low. Turn to higher setting 2. High limit cutoff switch is tripped – depress reset button. 3. If power switch is not illuminated. Check breaker panel. 4. If power switch is not illuminated, check if main power supply is disconnected (Call for service). 5. Problem with heating element, thermostat or power switch. (Call for service)
Heat does not come on when thermostat is turned ON	<ol style="list-style-type: none"> 1. Power switch not in the ON position. 2. High limit cutoff switch is tripped – depress reset button. 3. Power not supplied to unit. Check breaker panel. 4. Main power supply disconnected (Call for service). 5. Problem with heating element, thermostat or power switch. (Call for service)
Unit will not hold or remain in the raised position.	<ol style="list-style-type: none"> 1. Not raising high enough. Unit will only hold in place at the 53° position. 2. Problem with spring mechanism (Call for service)
Unit will not lower from the raised position	<ol style="list-style-type: none"> 1. Problem with spring mechanism (Call for service)
Unit will not raise from the cooking or lowered position	<ol style="list-style-type: none"> 1. Problem with spring mechanism (Call for service)
Food under-cooked	<ol style="list-style-type: none"> 1. Temperature set too low. 2. Food not cooked for long enough time. 3. Cooking surface not touching or partially touching food when in the lowered position. Reset the plate gap adjuster. See page 7.
Food over-cooked	<ol style="list-style-type: none"> 1. Temperature set too high. 2. Food cooked for too long of a time. 3. Cooking surface pressing down too hard when in the lowered position. Reset the plate gap adjuster. See page 7.
Food is being crushed	<ol style="list-style-type: none"> 1. Cooking surface pressing down too hard when in the lowered position. Reset the plate gap adjuster. See page 7.
Food sticks to cooking surface	<ol style="list-style-type: none"> 1. Temperature set too high or too low. 2. Cooking surface needs to be cleaned. 3. Cooking surface not covered with enough cooking oil.

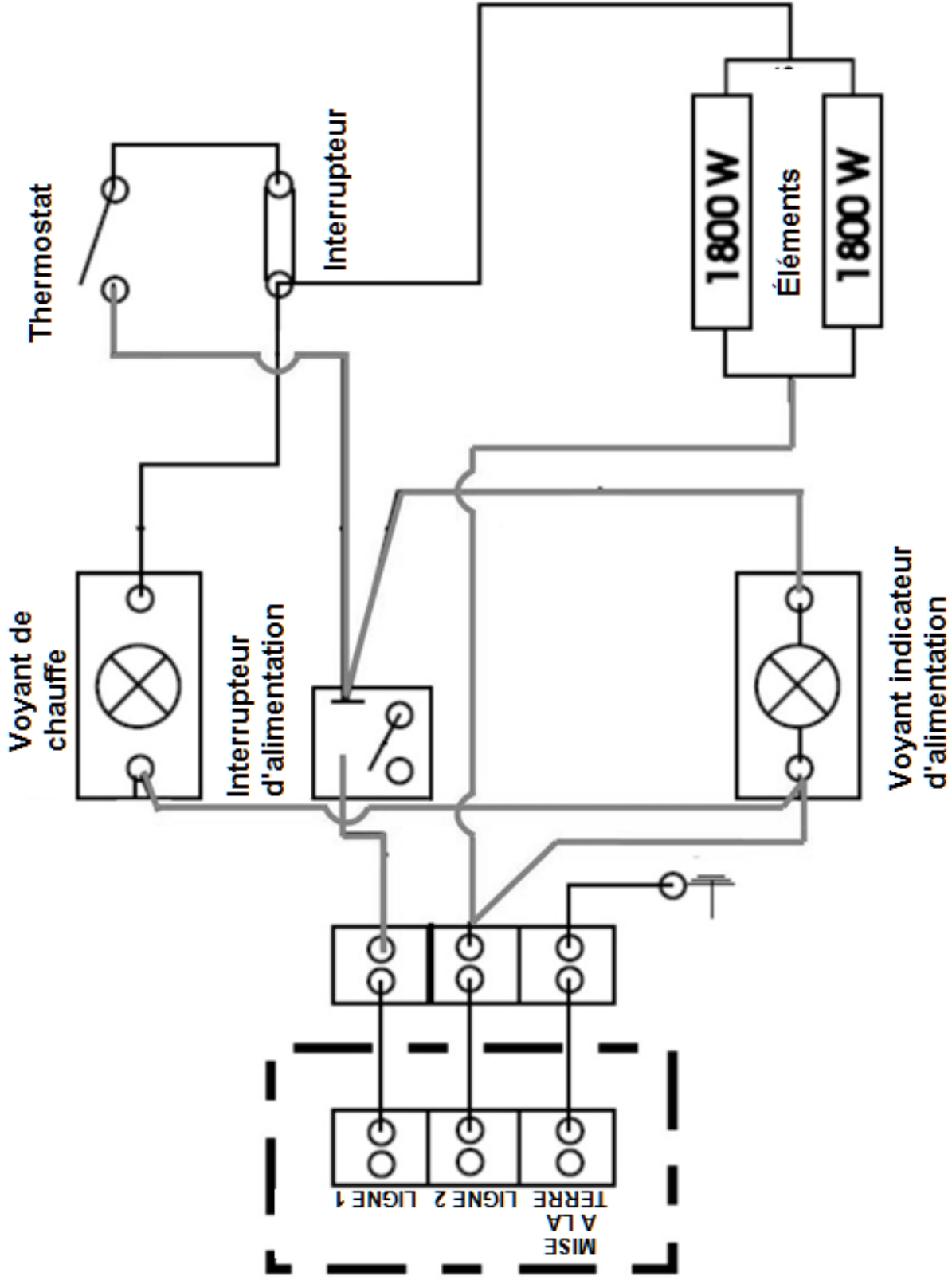


CAUSES POSSIBLES	PROBLÈME
<ol style="list-style-type: none"> 1. Le thermostat est réglé à une température trop basse. 2. L'interrupteur de protection contre la surchauffe est déclenché – enfoncez le bouton de réinitialisation. 3. Si l'interrupteur d'alimentation ne s'allume pas : Vérifiez au niveau du panneau de disjoncteurs. 4. Si l'interrupteur d'alimentation ne s'allume pas, vérifiez si l'alimentation est branchée (téléphonez pour obtenir du service). 5. Problème au niveau de l'élément chauffant, du thermostat ou de l'interrupteur d'alimentation. (Téléphonez pour obtenir du service) 	<p>Aucune chaleur n'est produite lorsque l'interrupteur est à la position ON (marche).</p>
<ol style="list-style-type: none"> 1. L'interrupteur d'alimentation n'est pas à la position ON. 2. L'interrupteur de protection contre la surchauffe est déclenché – enfoncez le bouton de réinitialisation. 3. L'appareil n'est pas alimenté en électricité. Vérifiez au niveau du panneau de disjoncteurs. 4. L'alimentation électrique principale est débranchée (Téléphonez pour obtenir du service). 5. Problème au niveau de l'élément chauffant, du thermostat ou de l'interrupteur d'alimentation. (Téléphonez pour obtenir du service) 	<p>Aucune chaleur n'est produite lorsque le thermostat est à la position ON (marche).</p>
<ol style="list-style-type: none"> 1. Levage insuffisant. L'appareil reste en place seulement s'il s'élève à un angle de 53°. 2. Il y a un problème avec le mécanisme des ressorts. (Téléphonez pour obtenir du service) 	<p>L'appareil ne reste pas verrouillé en position surlevée.</p>
<ol style="list-style-type: none"> 1. Il y a un problème avec le mécanisme des ressorts (Téléphonez pour obtenir du service) 	<p>L'unité ne s'abaisse plus lorsqu'elle est surlevée ou verrouillée.</p>
<ol style="list-style-type: none"> 1. Il y a un problème avec le mécanisme des ressorts (Téléphonez pour obtenir du service) 	<p>L'unité ne se relève plus lorsqu'elle est en mode cuisson ou abaissée.</p>
<ol style="list-style-type: none"> 1. La température a été réglée trop bas. 2. Le temps de cuisson est insuffisant. 3. La surface supérieure de cuisson ne touche que artificiellement ou pas du tout aux aliments lorsqu'elle est abaissée. Modifier le réglage de l'écart de la plaque. Voir la page 7. 	<p>Les aliments ne sont pas suffisamment cuits.</p>
<ol style="list-style-type: none"> 1. Le réglage du thermostat est trop élevé. 2. Les aliments cuisent trop longtemps. 3. La surface supérieure de cuisson compresse trop les aliments lorsqu'elle est abaissée. Modifier le réglage de l'écart de la plaque. Voir la page 7. 	<p>Les aliments sont trop cuits.</p>
<ol style="list-style-type: none"> 1. La surface supérieure de cuisson compresse trop les aliments lorsqu'elle est abaissée. Modifier le réglage de l'écart de la plaque. Voir la page 7. 	<p>Les aliments se font écraser.</p>
<ol style="list-style-type: none"> 1. Le réglage du thermostat est trop élevé ou trop bas. 2. La surface de cuisson nécessite d'être nettoyée. 3. La surface de cuisson manque d'huile à cuisson. 	<p>Les aliments collent à la surface de cuisson.</p>

DÉPANNAGE

SCHEMA DE CÂBLAGE

TENSIONS 208 ET 240



CARACTÉRISTIQUES ÉLECTRIQUES				
N° de modèle	Description	Tension	Puissance	Courant monophasé
VMCS-101	PLAQUE	208V	3.6 kW	17.3 A
VMCS-102	PLATE	240V		15.0 A
VMCS-201	PLAQUE	208V		17.3 A
VMCS-202	RAINURÉE	240V		15.0 A

CONNEXIONS ÉLECTRIQUES

AVERTISSEMENT Les connexions électriques et de mise à la terre doivent être conformes aux parties applicables du Code électrique national et/ou d'autres codes électriques locaux.

AVERTISSEMENT Débranchez l'alimentation électrique de la plaque chauffante et suivez la procédure de verrouillage et étiquetage.

Puisque le dessus de plaque chauffante n'est pas protégé par un fusible, vous devez le connecter à un circuit à fusible muni d'un dispositif de sectionnement tel que requis par les autorités locales.

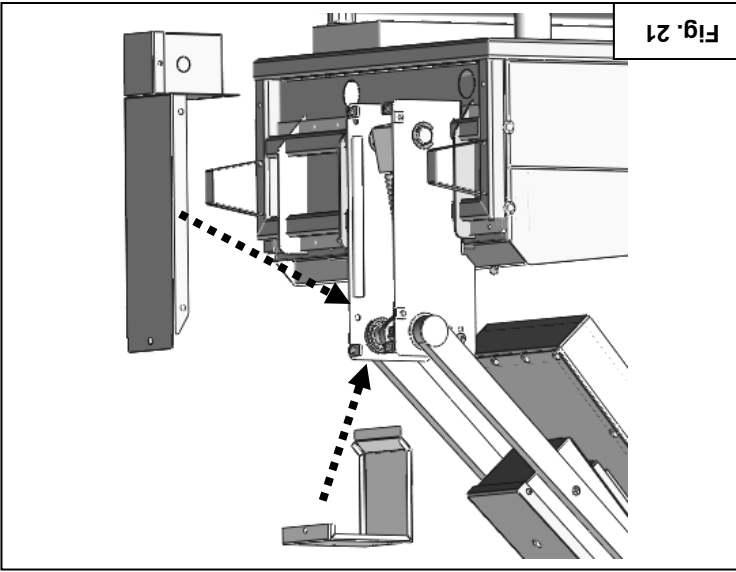
Connexions électriques

1. Retirez le couvercle du petit boîtier de raccordement situé à l'endos de l'appareil. Cela expose les fils de sortie du dessus de plaque chauffante VMCS.

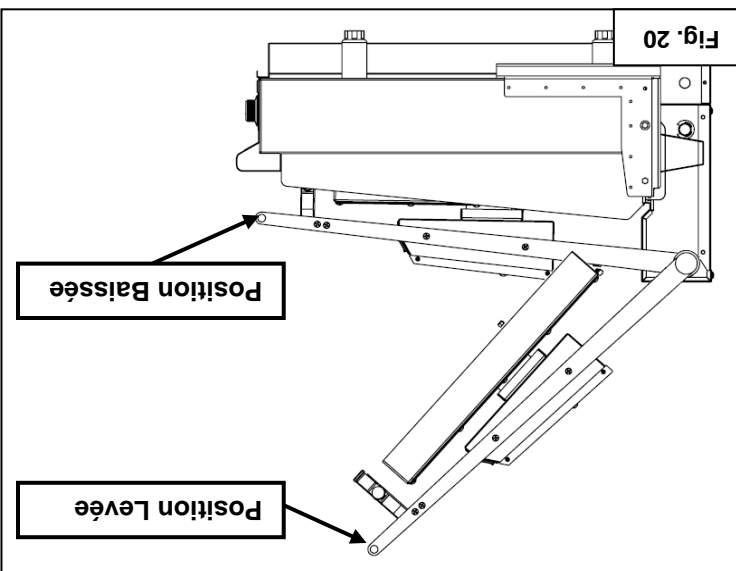
2. Sélectionnez l'alvéole défonçable appropriée sur l'un des côtés ou sous le boîtier de raccordement.

3. Raccordez les fils de sortie de la plaque chauffante aux fils d'alimentation électrique au moyen des connecteurs fournis, tel qu'illustré au schéma de câblage applicable.

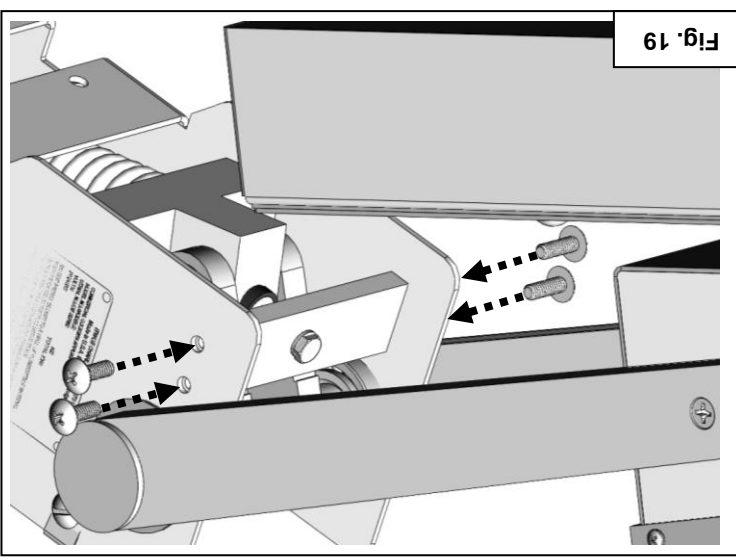
5. Poussez tout fil excédentaire à l'intérieur du boîtier et remettez le couvercle en place. N'utilisez jamais la plaque sans que le couvercle ne soit en place.



23. Remettez en place le couvercle des ressorts supérieur et arrière. Fig. 21.
 24. Répétez au besoin les étapes nécessaires à l'installation de chaque dessus de plaque chauffante.



22. Vérifiez la plage de déplacement tel qu'illustré à la Fig. 20. L'ensemble devrait rester en place en position élevée à un angle de 53° et reposer de son propre poids en position abaissée. Référez-vous à la page 6 pour connaître les bonnes techniques de levage et d'abaissement



21. Installez le butoir dans l'armature supérieure. Fig. 19
 Ensemble du butoir

AVERTISSEMENT Assurez-vous que l'appareil est supporté en toute sécurité et faites-vous aider par une deuxième personne avant de procéder aux étapes de 15 à 20.

AVIS

Appliquez un adhésif frein-filet sur les vis du support de montage aux étapes 18 et 19.

18. Insérez et serrez les vis et rondelles intérieures du support de montage. Voir Fig. 16.

Assurez-vous que les vis de montage s'engagent pleinement dans la plaque de montage référencée aux étapes 12 et 13.

19. Placez l'appareil à sa position abaissée tel qu'illustré à la figure C de la page 6. Insérez et serrez les vis et rondelles supérieures du support de montage. Voir Fig. 17.

Assurez-vous que les vis de montage s'engagent pleinement dans la plaque de montage référencée aux étapes 12 et 13.

Si nécessaire, vérifiez de nouveau les vis de montage inférieures et resserrez-les.

20. Refaites les étapes 16 et 17 à l'envers pour remettre les ressorts, la tige de pivotement intérieure et les quatre agrafes de retenue en place. Fig. 18

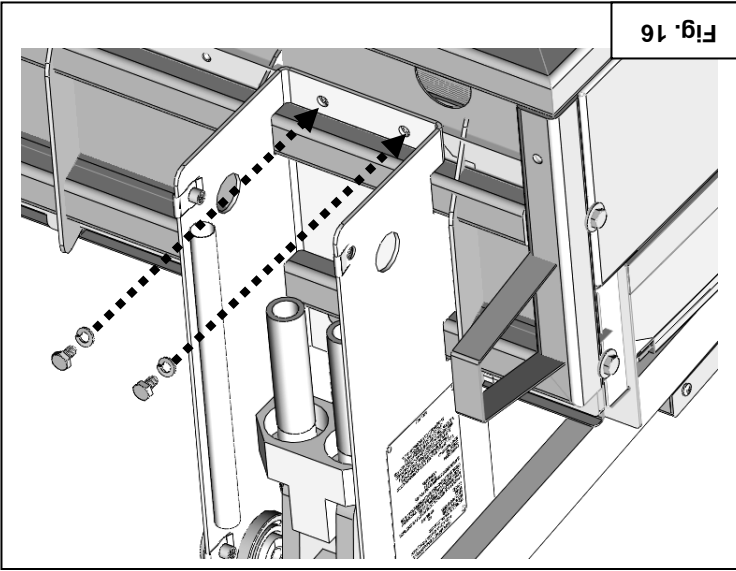


Fig. 16

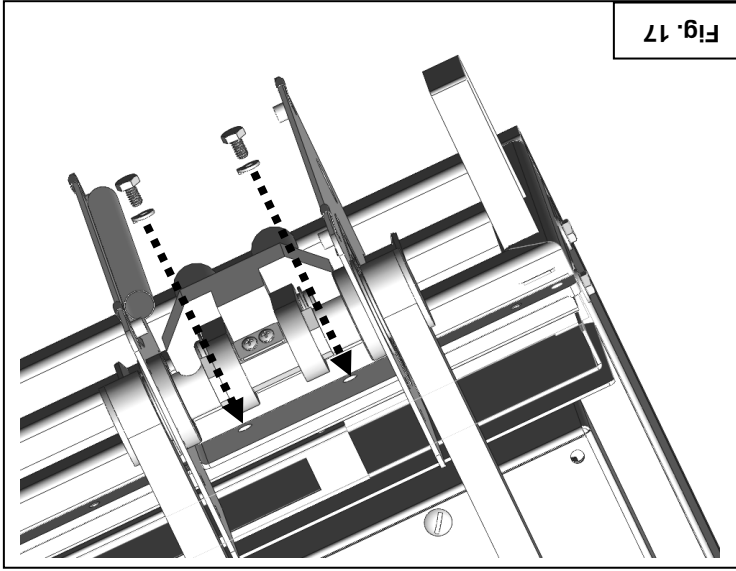


Fig. 17

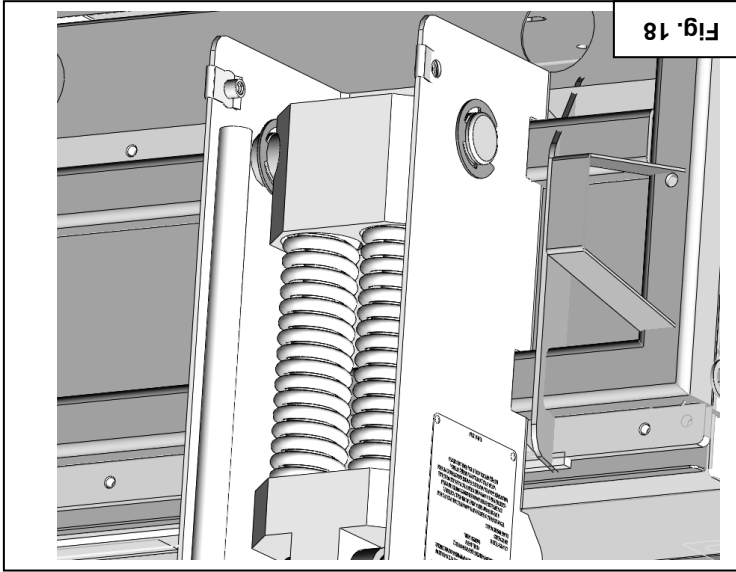
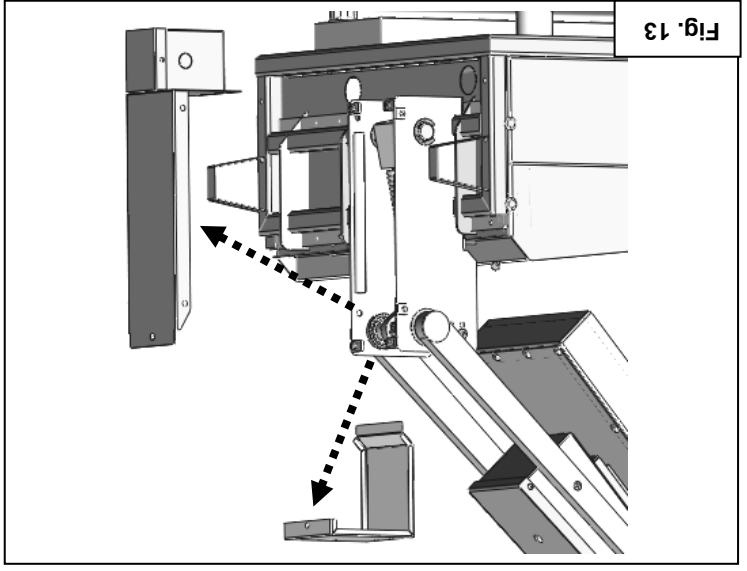


Fig. 18

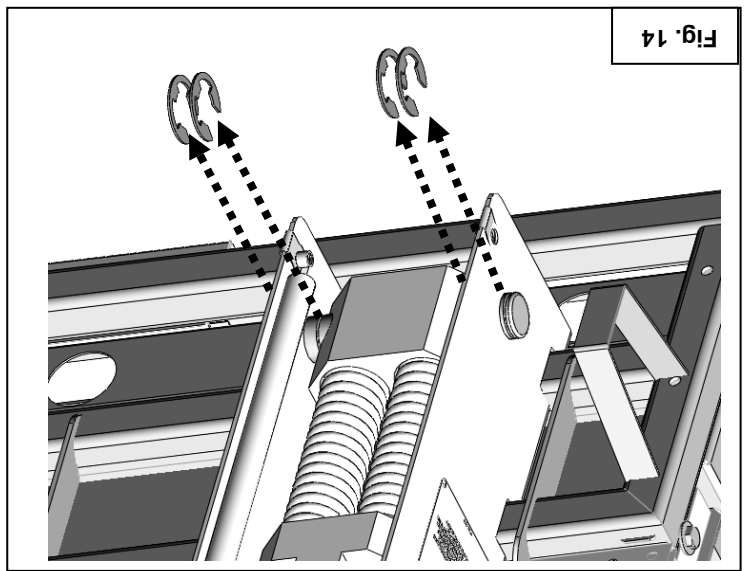
14. Posez un carton ou autre couverture de protection sur la surface du gril à gaz pour prévenir les égratignures.

AVERTISSEMENT Assurez-vous que l'appareil est supporté en toute sécurité et faites-vous aider par une deuxième personne avant de procéder aux étapes de 15 à 20.

15. Retirez les couvercles de l'armature des ressorts supérieur et arrière. Fixez-les en position élevée. Fig. 13.



16. Retirez les quatre agrafes de butée qui retiennent la tige de pivotement inférieure. Fig. 14



17. Retirez la tige de pivotement inférieure et ensuite enlevez l'ensemble des ressorts tel qu'indiqué à la figure 15.

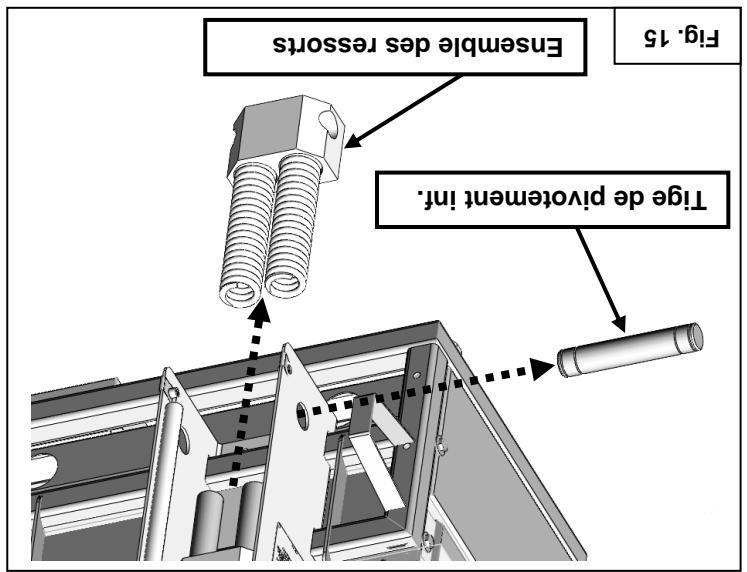


Fig. 13 Fig. 14 Fig. 15

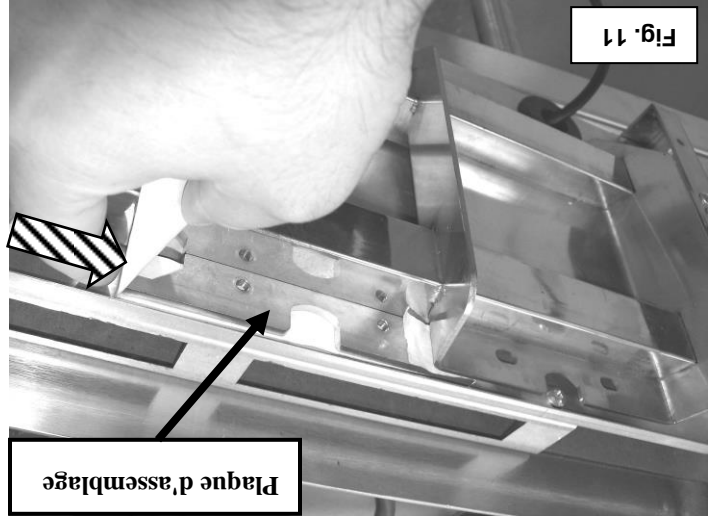
⚠ AVERTISSEMENT Il sera peut-être nécessaire d'incliner la plaque et de laisser l'une des quatre pattes pendre au bout de la table pour compléter l'étape 11. Assurez-vous alors que la plaque est bien soutenue et de procéder avec l'aide d'un assistant.

11. Percez deux trous avec une mèche de 5/32 po à travers les supports de fixation inférieurs et dans le dessous du châssis du grill. Insérez et serrez des vis 10-24 x 2 po tel qu'illustré à la fig. 10. Répétez l'opération au besoin pour chacun des supports inférieurs requis.



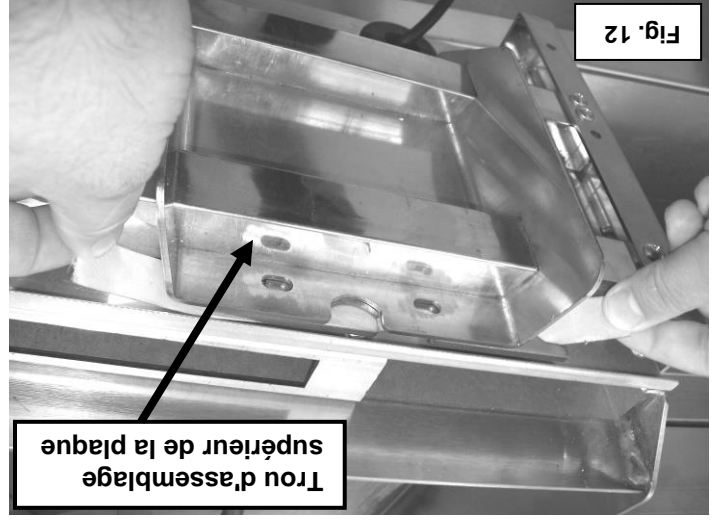
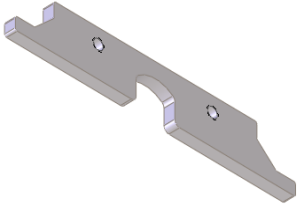
INSTALLATION DU GRIL PLATEFORME

12. Collez du ruban masqué sur la plaque d'assemblage, et glissez celle-ci en position entre le panneau arrière du grill et le haut du point d'assemblage sélectionné de la plaque, tel qu'illustré à qu'illustré à la Fig. 11.



13. Utilisez du ruban pour aligner les trous de la plaque d'assemblage avec les trous du point d'assemblage supérieur de la plaque, tel qu'illustré à la Fig. 12. Fixez avec du ruban pour maintenir en place jusqu'à ce que l'installation soit achevée. Répétez les étapes 12 et 13 pour le trou d'assemblage inférieur.

Plaque d'assemblage



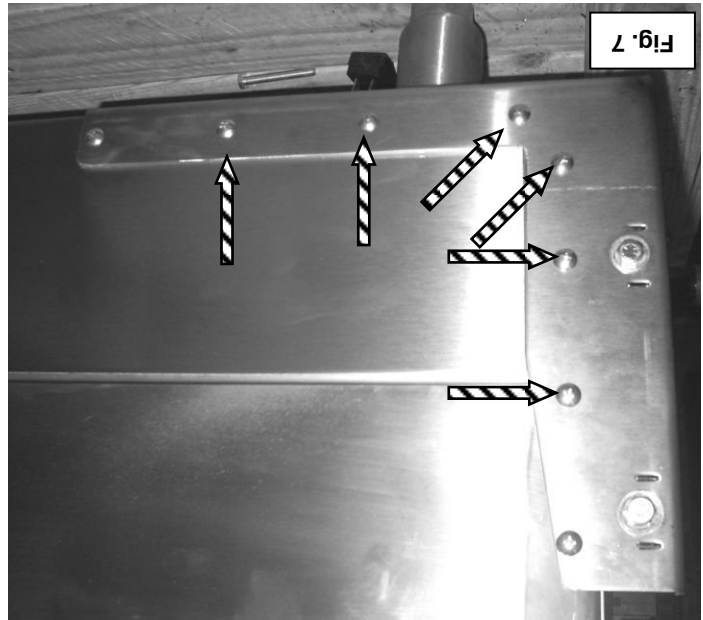


Fig. 7

8. Percez les derniers trous à travers les supports de fixation latérale dans le châssis de la plaque. Insérez et serrez des vis tel qu'illustré à la Fig. 7. Répétez la procédure de l'autre côté du système de fixation.

9. Depuis l'arrière du support de fixation latérale, percez des trous avec une mèche de 5/32 po dans le support de fixation arrière, et installez une cale murale au moyen de (4) vis 10-24 x 1/2 po, tel qu'illustré à la fig. 8. Répétez de l'autre côté du système de fixation.

Cale murale

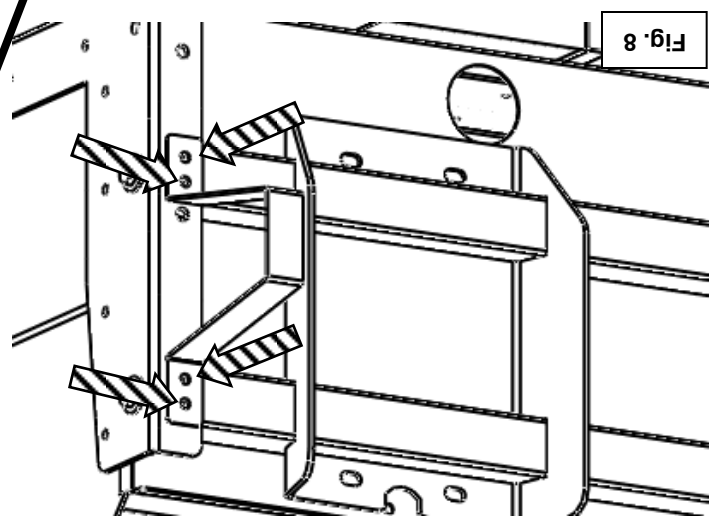
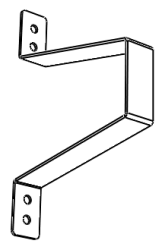


Fig. 8

10. Installez un support de fixation inférieur tous les 60 cm de largeur de plaque, entre les points de montage du dessus de plaque chauffante, s'il y a lieu de croire qu'un support supplémentaire est requis. Les supports de fixation inférieurs doivent être au même niveau que la partie inférieure du châssis du grill et le support de fixation arrière. Au moyen de la mèche de 5/32 po, percez deux trous et fixez la pièce au support de fixation arrière avec des vis 10-24 x 2 po tel qu'illustré à la Fig. 2. Répétez pour chacun des supports requis.

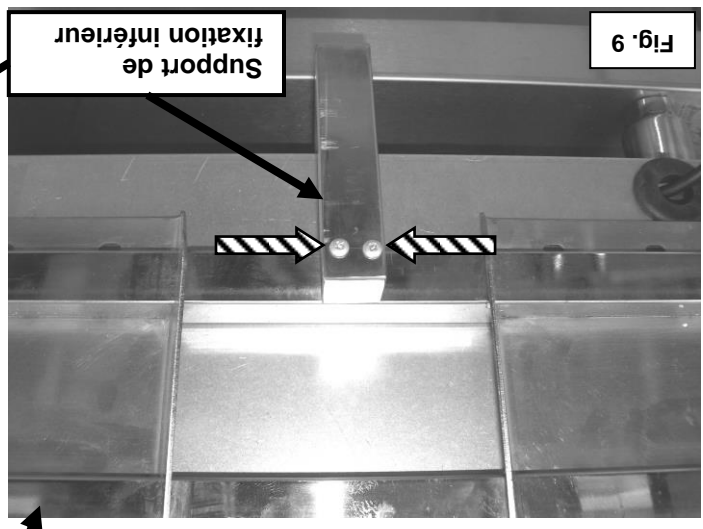
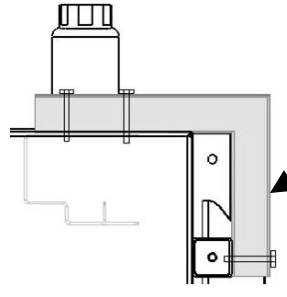


Fig. 9

Support de fixation inférieur

Vue de coupe latérale



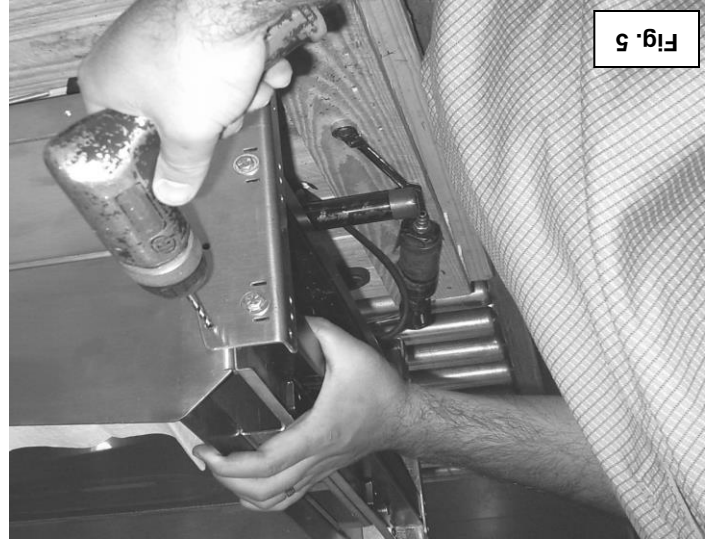
Vue de coupe latérale

4. Serrez fermement les boulons d'assemblage du système de fixation aux supports de fixation gauche et droit. qu'illustré à la Fig. 4.



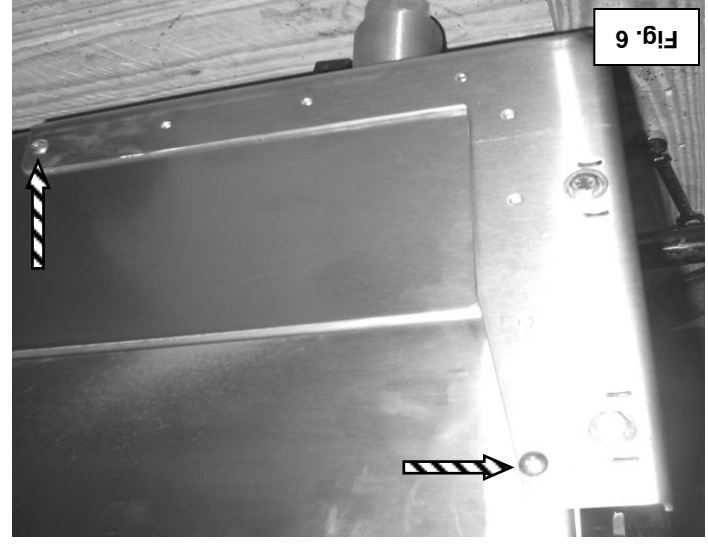
5. Assurez-vous que les supports de fixation latéraux sont bien restés dans leur position pendant le serrage des boulons. Les pinces en F doivent demeurer bien en place pour empêcher tout mouvement du système de fixation pendant le perçage des trous sur le châssis.

Procédez à une vérification avant de percer les trous sur le châssis. Il importe que le système de fixation n'ait pas bougé de la position prescrite à l'étape 3.



6. En vous servant du support de fixation latérale comme gabarit, percez des trous dans le châssis du grill au moyen d'une mèche 5/32 po, mais seulement au niveau du trou le plus haut et du trou le plus rapproché de l'appareil sur le support latéral. Reportez-vous aux figures 5 et 6. Répétez la procédure du côté opposé du système de support de fixation.

7. Insérez et serrez des vis 10-24 x 1/2 po dans les trous percés à l'étape 6. Répétez la procédure du côté opposé du système de support de fixation. Voir la Fig. 6.



MONTAGE ET INSTALLATION DU SUPPORT

AVERTISSEMENT

La plaque chauffante et ses pièces sont chaudes. Soyez prudent lors de l'utilisation, du nettoyage et de l'entretien de la plaque chauffante.

AVERTISSEMENT

Débranchez l'alimentation et suivez la procédure de verrouillage-étiquetage avant tout nettoyage ou entretien de l'appareil.

Avant de procéder à l'assemblage, assurez-vous que les dimensions du support de fixation sont adéquates. Le support arrière devrait être de même largeur que la plaque. Assurez que les caractéristiques électriques du dessus de plaque chauffante correspondent aux caractéristiques de la ligne électrique. Chaque dessus de plaque chauffante nécessite sa propre ligne électrique.

1. Au moyen de (2) rondelles et (2) boulons ¼ po - 28, assemblez l'un des supports de fixation latérale au support arrière, tel qu'illustré à la Fig. 1. Contentez-vous pour le moment de serrer les boulons à la main. Répétez cette procédure pour fixer le second support de fixation latérale à l'autre extrémité du support de fixation arrière.

2. À ce stade-ci, le système de support de fixation devrait être complètement assemblé tel qu'illustré à la figure 2, les boulons n'étant pour le moment que serrés à la main.

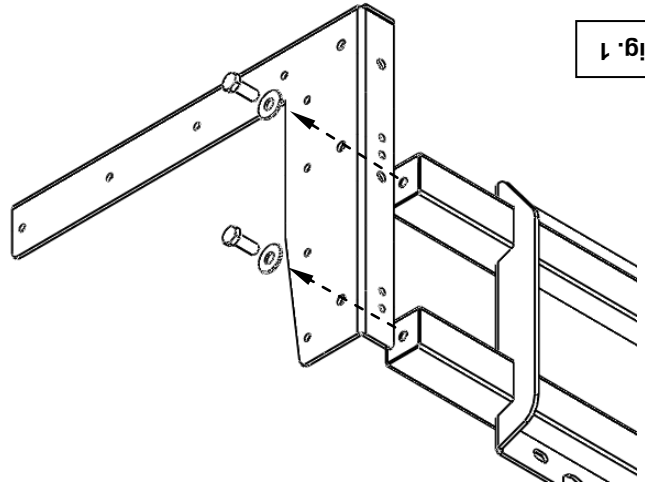


Fig. 1

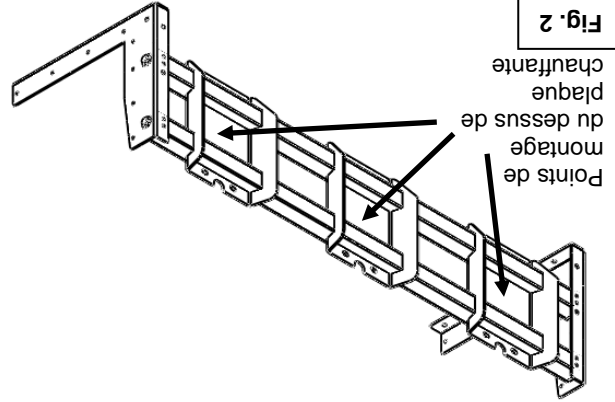


Fig. 2

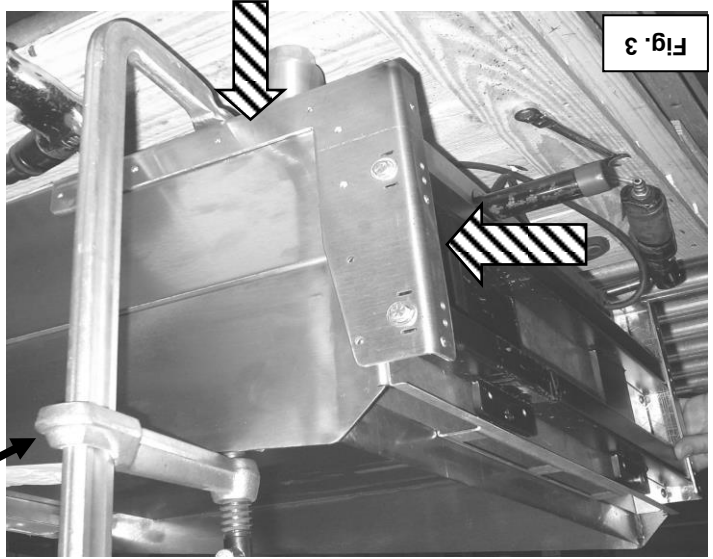
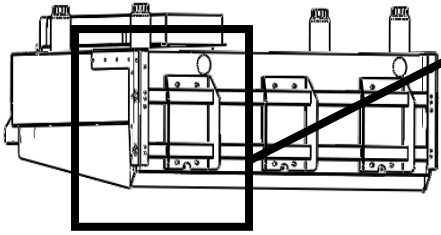


Fig. 3

3. Glissez le système de fixation sur l'arrière du dessus de plaque chauffante, tel qu'illustré à la Fig. 3. Les supports latéraux gauche et droit doivent être ramenés vers le haut jusqu'à ce qu'ils s'appuient contre le dessous de la plaque, puis vers l'avant jusqu'à ce qu'ils reposent contre le panneau arrière de la plaque. Verrouillez le système de support de fixation dans cette position au moyen d'une pince en F de part et d'autre de l'assemblage, tel qu'illustré. Placez un bloc de bois ou tout autre type de protection entre la pince et la plaque.



2. Clé à douilles M10
3. Clé à douilles 7/16 po
- B. Maillet en caoutchouc
5. Perceuse électrique
6. Clé à douilles à puits profond 7/8 po
7. (2) grandes pinces en F
8. Mèches à métaux 5/32 po
9. Composé frein pour filets (Loctite Blue®)
10. Ruban masqué ¼ po de largeur

OUTILS REQUIS POUR L'INSTALLATION 1. Tournevis cruciforme n° 2

Les directives d'installation ont été rédigées à l'intention de techniciens autorisés qualifiés, et ne devraient être utilisées que par des personnes compétentes. Ces directives ne se veulent aucunement exhaustives. Nous recommandons de lire attentivement les directives d'installation afin de vous assurer que vous détenez les outils, instruments et compétences requis pour effectuer l'installation. À défaut de posséder les outils, instruments et compétences requis, l'installation ne devrait jamais être tentée.

Communiquez avec votre entrepreneur de service locale pour l'installation de l'appareil sur le site.

ASSEMBLAGE ET INSTALLATION SUR LE SITE

Lors de tout appel de service, veuillez avoir les renseignements suivants habituellement inscrits sur la plaque signalétique de l'appareil : Numéro de modèle, numéro de série et tension.

Contacter le centre de service de votre région pour obtenir des renseignements sur le service et les pièces. Pour obtenir une liste complète de centre de service et de dépôt de pièces, consultez www.vulcanequipment.com.

RENSEIGNEMENTS SUR LE SERVICE ET LES PIÈCES

Cet appareil ne comporte aucune pièce qui nécessite une lubrification.

LUBRIFICATION

étiquetage avant tout nettoyage ou entretien de l'appareil.

Débranchez l'alimentation et suivez la procédure de verrouillage-

AVERTISSEMENT

La plaque chauffante et ses pièces sont chaudes. Soyez prudent lors de l'utilisation, du nettoyage et de l'entretien de la plaque chauffante.

AVERTISSEMENT

ENTRETIEN

1. Mettez l'interrupteur en position OFF (arrêt). Cela éteindra complètement le dessus de plaque chauffante.
2. Laissez l'appareil en position élevée, à un angle de 53°.
3. Appliquez une légère couche d'huile de cuisson sur la plaque rainurée (en acier) pour prévenir la rouille.
4. Coupez l'alimentation électrique principale.

ARRÊT PROLONGÉ

1. Mettez l'interrupteur en position OFF (arrêt). Cela éteindra complètement le dessus de plaque chauffante.
2. Laissez l'appareil en position élevée, à un angle de 53°.

ARRÊT DE LA PLAQUE CHAUFFANTE

1. Entre les séances de cuisson et les périodes d'inactivité, la feuille de Téflon doit être essuyée avec un linge doux et propre imbibé d'eau.
2. À la fin de chaque journée, la feuille de Téflon doit être retirée du plateau, désassemblée, et trempée dans une solution d'eau et de savon doux (n'utilisez jamais d'abrasifs ou de produits chimiques agressifs). Nettoyez doucement les deux surfaces de la feuille de Téflon et sa quincaillerie avec le linge propre imbibé d'une solution d'eau et de savon doux.
3. Rincez la feuille de Téflon et sa quincaillerie sur tous leurs côtés avec de l'eau.
4. Séchez la feuille de Téflon et sa quincaillerie au moyen d'un linge propre et doux.
5. Avant de réassembler la feuille de Téflon au plateau, nettoyez ce dernier tel que décrit à la partie Entretien et nettoyage.

ENTRETIEN ET NETTOYAGE DE L'ENVELOPPE DE TÉFLON

N'utilisez pas d'agents nettoyants tels l'hydroxyde de sodium, un produit courant dans les nettoyeurs domestiques pour le four. Tout contact avec ce produit peut causer de la décoloration, de la corrosion et des dommages irréversibles.

N'utilisez pas non plus de désinfectant chloré sur la plaque. Tout contact avec de telles substances peut causer des décolorations, de la corrosion et des dommages irréversibles.

Évitez d'utiliser un jet d'eau pour nettoyer le grill.

N'utilisez pas de tampon à récureur métallique.

N'utilisez pas de pierre à poncer ou à grill pour le nettoyage.

Si l'utilisation de la plaque chauffante est intensive, envisagez d'effectuer cette procédure de nettoyage plus d'une fois par semaine.

Nettoyez les surfaces en acier inoxydable avec un chiffon humide et polissez avec un chiffon sec et doux. Pour enlever la décoloration, utilisez un nettoyeur à plaque chauffante.

Après avoir nettoyé le détergent de la surface de la plaque, la plaque doit être recouverte d'huile à cuisson conformément aux directives du présent manuel.

Nettoyez soigneusement la surface de la plaque chauffante. Une solution de détergent doux peut être utilisée sur la surface de la plaque pour faciliter le nettoyage, mais assurez-vous que le détergent est soigneusement retiré en rinçant à l'eau claire.

UNE FOIS PAR SEMAINE

Nettoyez en profondeur tous les panneaux et surfaces extérieurs en acier inoxydable. Nettoyez la surface de cuisson avec un tampon récureur non métallique (tel Scotch-Brite™).

UNE FOIS PAR JOUR

de cuisson pour empêcher les aliments de coller à la surface de cuisson du dessus de plaque chauffante.

Nettoyez le dessus de plaque chauffante électrique avec un racloir pour plaque chauffante pendant la période de travail. Travaillez en gardant la lame du racloir à l'horizontal de façon à ne pas égratigner ou strier la plaque. Utilisez un agent antiadhésif

APRÈS CHAQUE UTILISATION

Afin de garder la plaque chauffante propre et apte à fournir un plein rendement, suivez les procédures ci-après.

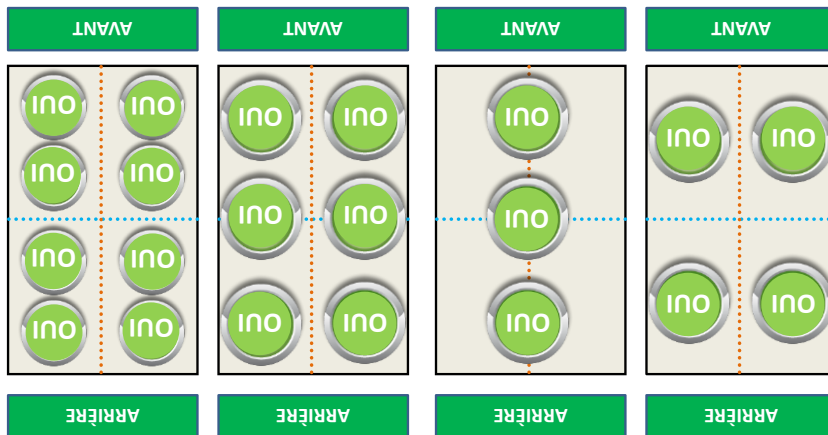
Nettoyez régulièrement le dessus de plaque chauffante électrique. Une plaque chauffante propre paraît toujours mieux, dure plus longtemps et est plus performante. Pour obtenir des aliments uniformément cuits et parfaitement rissolés, gardez la plaque chauffante propre et exempte de graisse carbonisée. La graisse carbonisée sur la surface empêche le transfert de chaleur de la plaque chauffante aux aliments, et entraîne un rôtissage très inégal et une perte d'efficacité énergétique de la cuisson. La graisse carbonisée tend à s'accrocher aux aliments de la plaque chauffante et à leur donner une apparence très insatisfaisante et peu appétissante.

La plaque chauffante et ses pièces sont chaudes. Soyez prudent lors de l'utilisation, du nettoyage et de l'entretien de la plaque chauffante.

AVERTISSEMENT

NETTOYAGE ET ENTRETIEN

Les appareils à surface de cuisson lisse se démarquent par la plaque « Rapid Recovery ^{MD} » en matériau composite et surface d'inox. Les appareils à surface de cuisson rainurée comportent des plaques en acier au carbone standard. L'usage négligent d'une spatule ou d'un grattoir peut marquer ou ébrécher les deux surfaces de cuisson. Veillez à ne pas bosseler, rayer ou rainurer la surface de la plaque. N'essayez pas de retirer des aliments qui peuvent être sur la spatule en tapant le coin ou le bord de la spatule sur la surface de la plaque chauffante. N'utilisez pas de spatules en acier trempé. Utilisez plutôt des spatules en acier doux aux coins arrondis.



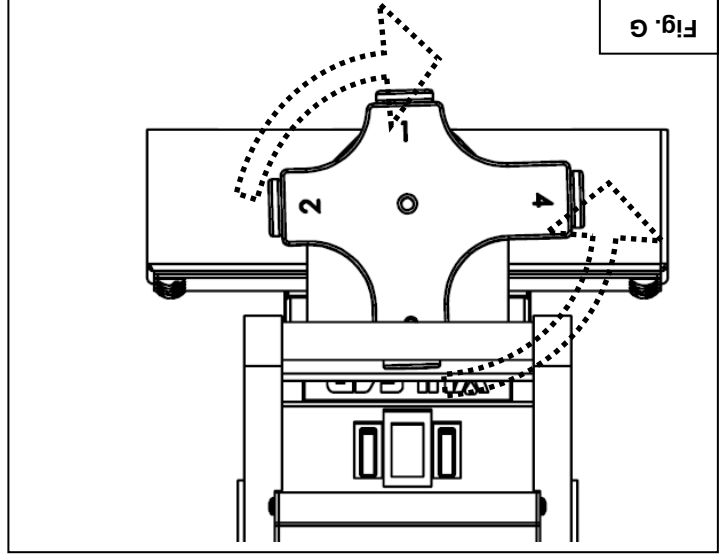
Une approche uniforme et systématique pour le chargement de la plaque chauffante produira les résultats les plus uniformes du produit.

Pour préchauffer, badigeonnez la plaque supérieure avec de l'huile à cuisson et réglez les thermostats à la température souhaitée de 10 à 12 minutes avant la cuisson.

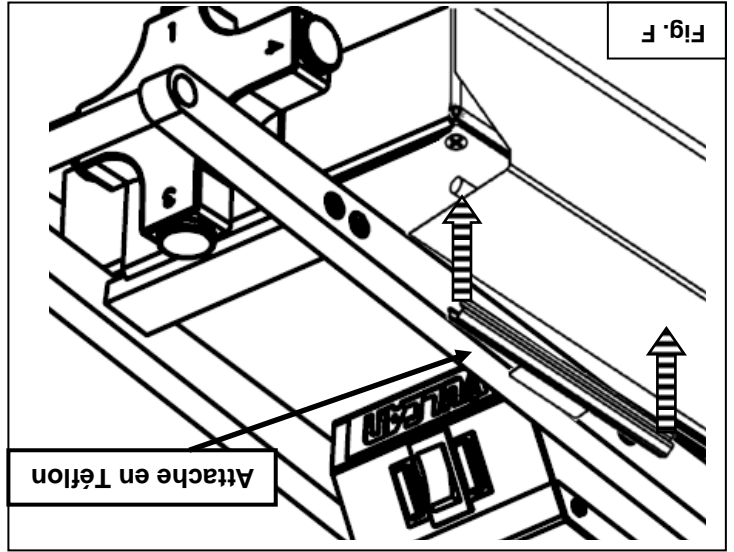
UTILISATION DU DESSUS DE PLAQUE CHAUFFANTE ÉLECTRIQUE

Le réglage de l'écart de la plaque sert à empêcher les aliments mous d'être écrasés par la force descendante de l'appareil. Un réglage de 1 serait utilisé comme l'écart le plus faible ou sans écart, alors qu'un réglage de 4 servirait à créer l'écart le plus marqué.

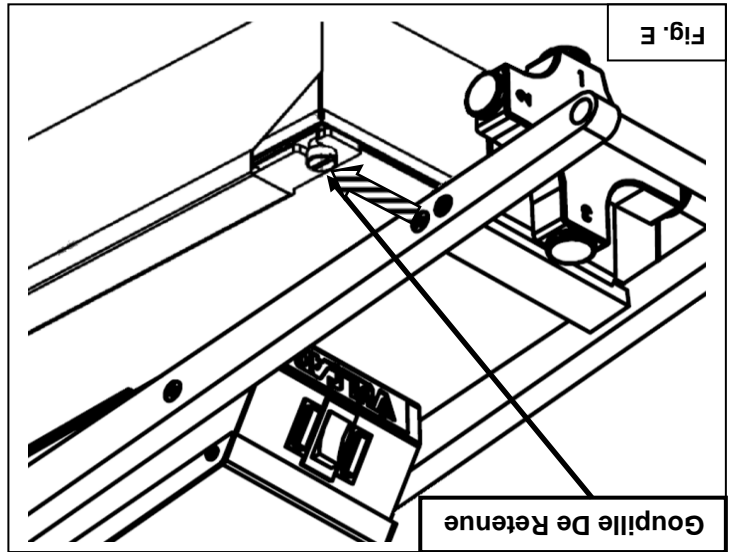
On peut modifier les réglages en tournant le corps du réglage à gauche ou à droite jusqu'à ce qu'il se bloque en place au point d'écart voulu.



RÉGLAGE DE L'ÉCART DE LA PLAQUE



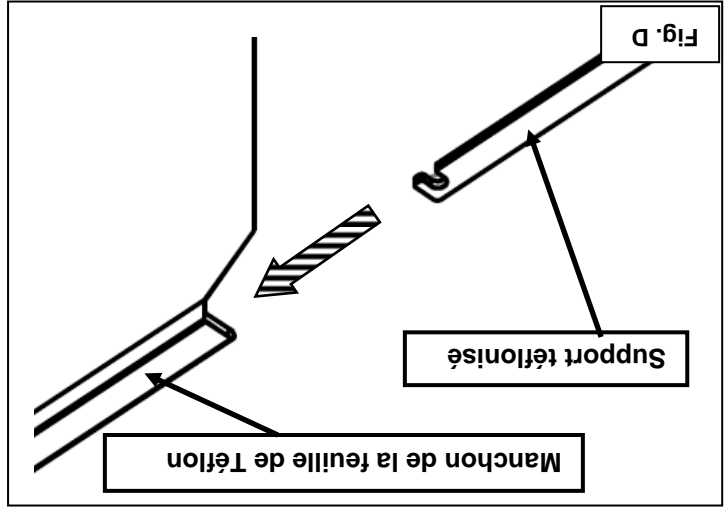
6. Fixez la feuille de Téflon au côté gauche du plateau au moyen des deux attaches en Téflon. Poussez les clips par-dessus la feuille de téflon en les agrafant aux tiges rondes sous la feuille. Voir Fig. F.



3. Elevez le plateau à la position verrouillée de 53°. Faites passer la feuille de Téflon à partir du côté droit du plateau en fixant l'avant et l'arrière du support téflonisé aux goupilles de retenue en Téflon. Voir la Fig. E.

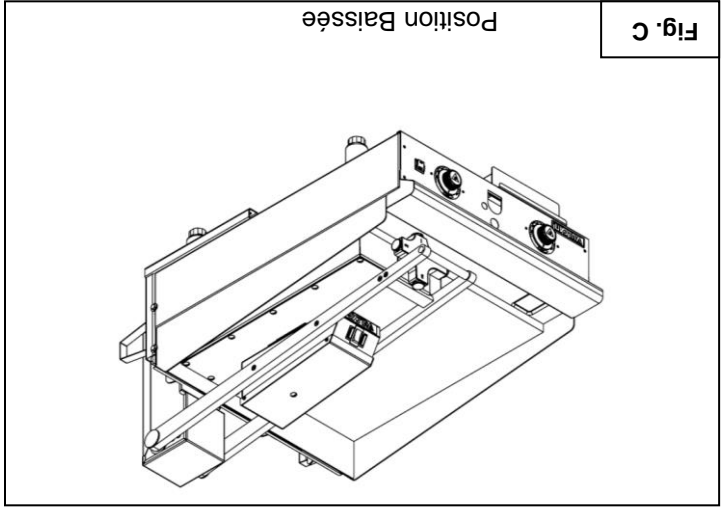
4. Depuis le côté droit du plateau, tirez sur la feuille de Téflon jusque vers la gauche de la surface du plateau.

5. Tendez bien la feuille de Téflon en vous assurant qu'elle recouvre entièrement la surface de cuisson du plateau.

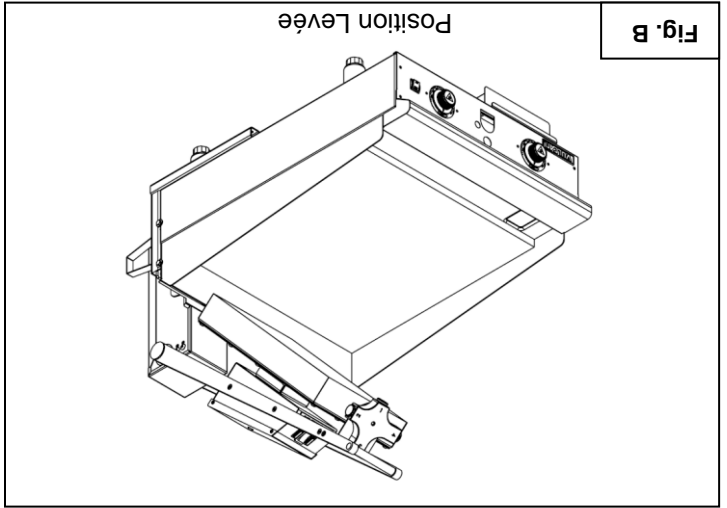


INSTALLATION DE LA GARNITURE EN TEFLON

- AVERTISSEMENT** La plaque chauffante et ses pièces sont chaudes. Soyez prudent lors de l'utilisation, du nettoyage et de l'entretien de la plaque chauffante.
1. Nettoyez le plateau avec un chiffon imbibé d'une solution d'eau et de savon doux.
 2. Glissez le support téflonisé (#944503) dans la chemise de la feuille de Téflon, tel qu'illustré à la Fig. D.

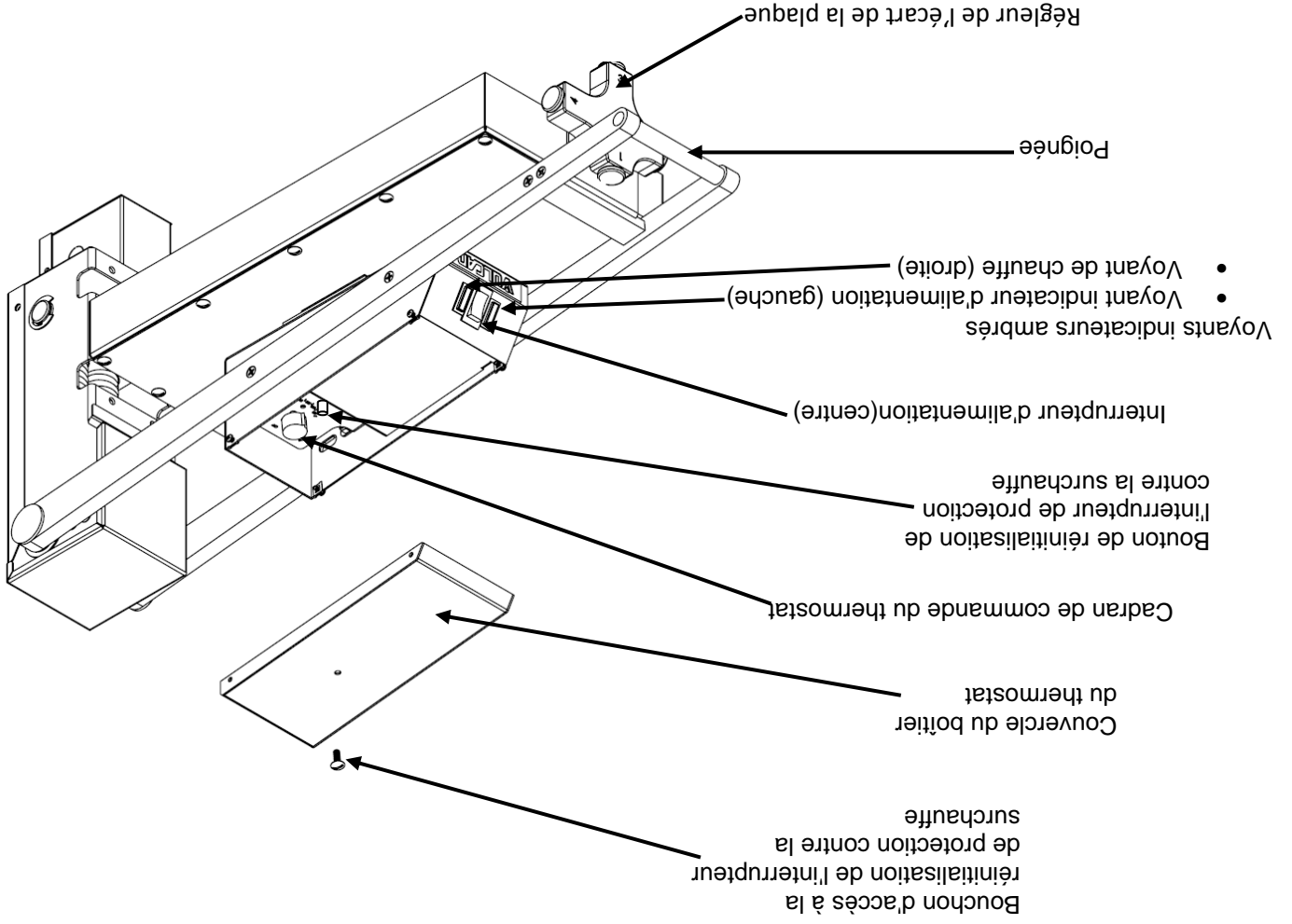


- Pour faire descendre l'ensemble
1. Saisissez la poignée et tirez-la vers le bas. Continuez à retenir la poignée jusqu'à ce que l'appareil s'arrête en position abaissée. Fig. C
- AVIS** Ne forcez pas l'appareil s'il ne bouge pas de haut en bas de la façon prévue. Il peut subir des dommages si une force excessive est exercée vers le haut ou le bas. Contactez un technicien d'entretien autorisé s'il devient difficile de déplacer l'ensemble.



- Pour soulever l'ensemble
1. Soulevez-le par la poignée seulement
 2. Retenez la poignée jusqu'à ce que l'ensemble reste en place à la position approximative de 53°. Fig. B
- AVERTISSEMENT** Tenez toujours la poignée pour garder le contrôle sur l'appareil jusqu'à ce que le dispositif de levage l'ait monté à la position voulue ou qu'il repose en position abaissée. Ne laissez pas l'appareil basculer vers le haut ou le bas de lui-même car cela peut se traduire par une blessure ou par des dommages à l'équipement.

Fig. A



Le dessus de plaque chauffante électrique de fabrication robuste est commandé indépendamment par un interrupteur d'alimentation, un thermostat et un interrupteur de protection contre la surchauffe. Lorsque l'interrupteur d'alimentation (interrupteur basculant rouge) est en position ON (marche), le voyant ambré de gauche s'allume et le thermostat est alimenté en électricité. Le couvercle du boîtier du thermostat doit être retiré pour accéder au cadran de commande du thermostat.

Une fois le thermostat en marche (ON), le voyant indicateur ambré à la droite de l'interrupteur d'alimentation s'allume pour indiquer que l'élément est en marche. Lorsque la plaque chauffante atteint la température de réglage souhaitée, l'élément et le voyant indicateur ambré s'éteignent. L'interrupteur de protection contre la surchauffe est un dispositif de sécurité de coupure de l'alimentation de l'élément chauffant servant à prévenir les surchauffes. On peut le réinitialiser en enfonçant le bouton de réinitialisation de l'interrupteur de protection contre la surchauffe. À la fin de la journée, il faut placer l'interrupteur d'alimentation à la position OFF (arrêt) pour mettre le dessus de plaque chauffante hors tension. Se reporter à la figure A.

COMMANDES

DÉBALLAGE

Ce dessus de plaque chauffante a été inspecté avant de quitter l'usine. En acceptant sa livraison, le transporteur prend l'entière responsabilité de le livrer en toute sécurité. Immédiatement après la livraison, vérifiez s'il a effectivement subi des dommages pendant le transport.

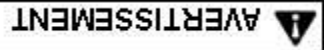
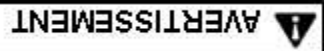
S'il s'avère que le dessus de plaque chauffante a été endommagé, veuillez suivre les procédures suivantes :

1. Le transporteur doit être averti dans les 5 jours ouvrables suivant la réception.
2. Les gens du terminus local du transporteur doivent être avisés immédiatement lors de la découverte des dommages (indiquez l'heure, la date et à qui vous avez parlé) et assurez le suivi en confirmant les faits par écrit ou par communication électronique.
3. Pour fins d'inspection, tout le matériel d'emballage original doit être conservé.
4. Le dessus de plaque chauffante ne doit pas avoir été déplacé, installé ou modifié.
5. Avisez le Service à la clientèle de Vulcan immédiatement en faisant le (800) 814-2028

Vérifiez si les articles suivants ont été inclus :

- Ensemble du butoir (voir la page 16)
 - (4) Vis pour l'ensemble du butoir
 - (2) Plaques de montage (voir la page 14)
 - (4) Vis M10 pour la plaque de montage
 - (4) Rondelles frein M10 pour la plaque de montage
- Trousse de garniture en téflon (voir la page 6)
 - (2) Feuilles de téflon
 - (2) clips de téflon
 - Support de téflon

Le support de montage VMCS (voir la page 11) est un accessoire séparé et expédié dans un autre emballage. Si vous achetez un nouveau grill lisse en même temps que la plateforme-grill robuste VMCS électrique, il est recommandé que vous fassiez monter le support par l'usine.



La plaque chauffante et ses pièces sont chaudes. Soyez prudent lors de l'utilisation, du nettoyage et de l'entretien de la plaque chauffante.

Débranchez l'alimentation et suivez la procédure de verrouillage-étiquetage avant tout nettoyage ou entretien de l'appareil.

AVANT LA PREMIÈRE UTILISATION

Retirez tous les matériaux d'emballage et les plastiques de protection de l'appareil. Il est recommandé de nettoyer à fond votre dessus de plaque chauffante Vulcan VMCS avec une solution d'eau et de savon doux. Essuyez ensuite la surface de la plaque chauffante avec de l'eau propre et asséchez avec un chiffon doux et propre.

CONDITIONNEMENT DE LA PLAQUE CHAUFFANTE

Chaque fois avant de mettre en marche l'appareil, badigeonnez d'environ deux onces d'huile de cuisson à haute température par plaque de dessus VMCS. Étendez bien l'huile sur toute la surface.

Après avoir nettoyé votre plaque chauffante avec des produits chimiques, il convient de répéter la procédure de conditionnement pour assurer une cuisson adéquate.

CARACTÉRISTIQUES ÉLECTRIQUES				
N° de modèle	Description	Tension	Puissance	Courant monophasé
VMCS-101	PLAQUE	208V	3.6 KW	17.3 A
VMCS-102	PLATE	240V		15.0 A
VMCS-201	PLAQUE	208V		17.3 A
VMCS-202	RAINURÉE	240V		15.0 A

100, Mississauga (Ontario), Canada, L4W 5N6.
auprès de l'Association canadienne de normalisation, 5060 Spectrum Way, bureau

2. Code canadien de l'électricité, Première partie C22.1 (plus récente édition) disponible
1. Codes locaux.

Au Canada :

1. Codes d'État et locaux.
2. National Electrical Code ANSI/NFPA - 70 (plus récente édition) disponible auprès de la National Fire Protection Association, 1 Battery March Park, Quincy, MA 02269.
3. Norme no 96 de NFPA, Vapor Removal from Cooking Equipment, (plus récente édition), disponible auprès de la National Fire Protection Association, Battery March Park, Quincy, MA 02269.

Aux États-Unis d'Amérique :

1. Codes d'État et locaux.
2. National Electrical Code ANSI/NFPA - 70 (plus récente édition) disponible auprès de la National Fire Protection Association, 1 Battery March Park, Quincy, MA 02269.
3. Norme no 96 de NFPA, Vapor Removal from Cooking Equipment, (plus récente édition), disponible auprès de la National Fire Protection Association, Battery March Park, Quincy, MA 02269.

1. Codes locaux.

2. Code canadien de l'électricité, Première partie C22.1 (plus récente édition) disponible auprès de l'Association canadienne de normalisation, 5060 Spectrum Way, bureau

100, Mississauga (Ontario), Canada, L4W 5N6.

CODES ET NORMES D'INSTALLATION

Avant l'installation, vérifiez le branchement électrique pour vous assurer qu'il correspond aux spécifications indiquées sur la plaque signalétique. N'effectuez pas l'installation si la tension d'alimentation et celle de l'appareil ne correspondent pas. Contactez immédiatement le détaillant ou Vulcan-Hart.

INSTALLATION

Lisez attentivement ce manuel en entier avant la première utilisation et suivez bien toutes les directives fournies.

Les dessus de plaque chauffante de fabrication robuste VMCS sont produits par de la main-d'œuvre qualifiée et des matériaux de qualité. Une installation, une utilisation et un entretien appropriés de votre plaque chauffante favoriseront des années de performance satisfaisante.

GÉNÉRALITÉS

DESSUS DE PLAQUE CHAUFFANTE ÉLECTRIQUE DE FABRICATION ROBUSTE VMCS

TABLE DES MATIÈRES

UTILISATION DE L'APPAREIL

Installation 3

Caractéristiques électriques 3

Commandes 5

Soulèvement/abaissement du dessus de plaque chauffante 6

Installation de la garniture en téflon 6

Régleur de l'écart de la plaque 7

Utilisation du dessus de plaque chauffante 8

Nettoyage 8

Arrêt 9

Entretien 10

ASSEMBLAGE ET INSTALLATION SUR LE SITE

Outils requis 10

Assemblage du support de fixation 11

Installation du support de fixation 11

Installation du dessus de plaque chauffante 14

Installation de la plaque de montage 14

Installation du butoir 17

Amplitude de mouvement 17

Branchements et spécifications électriques 18

Schémas de câblage 19

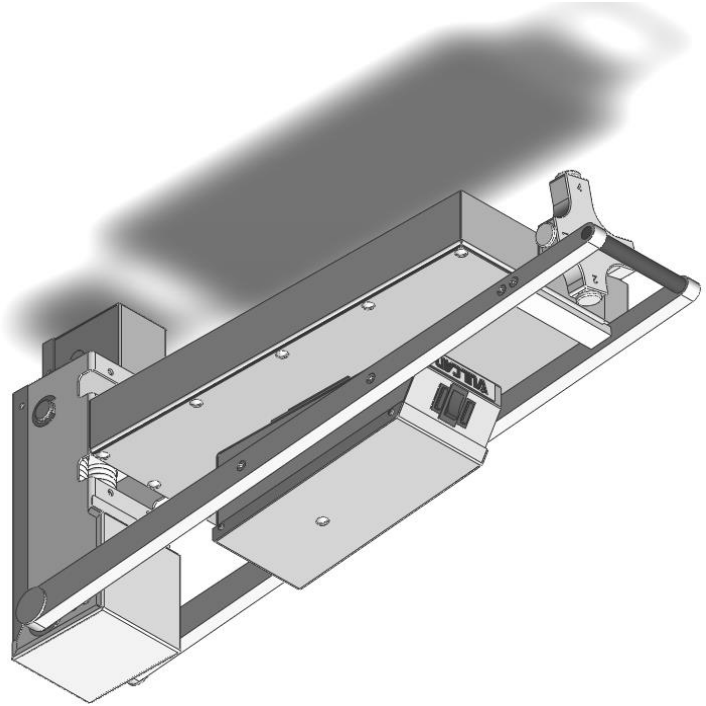
Dépannage 20



MANUEL D'UTILISATION ET D'INSTALLATION Dessus De Plaque Chauffante Electrique De Fabrication Robuste VMCS

MODELES

VMCS-101
VMCS-102
VMCS-201
VMCS-202



VMCS-101

Pour obtenir des renseignements supplémentaires au sujet de Vulcan-Hart ou pour trouver un fournisseur de pièces et service autorisé dans votre région, veuillez visiter notre site web à www.vulcanequipment.com

CONSERVEZ CE MANUEL POUR UNE
UTILISATION ULTERIEURE

FORMULAIRE F-47658 (10-15)

©ITW Food Equipment Group, LLC
3600 North Point Blvd.
Baltimore, MD 21222