



## Refrigerator

Top Mount

Use & Care Guide

## Refrigerador

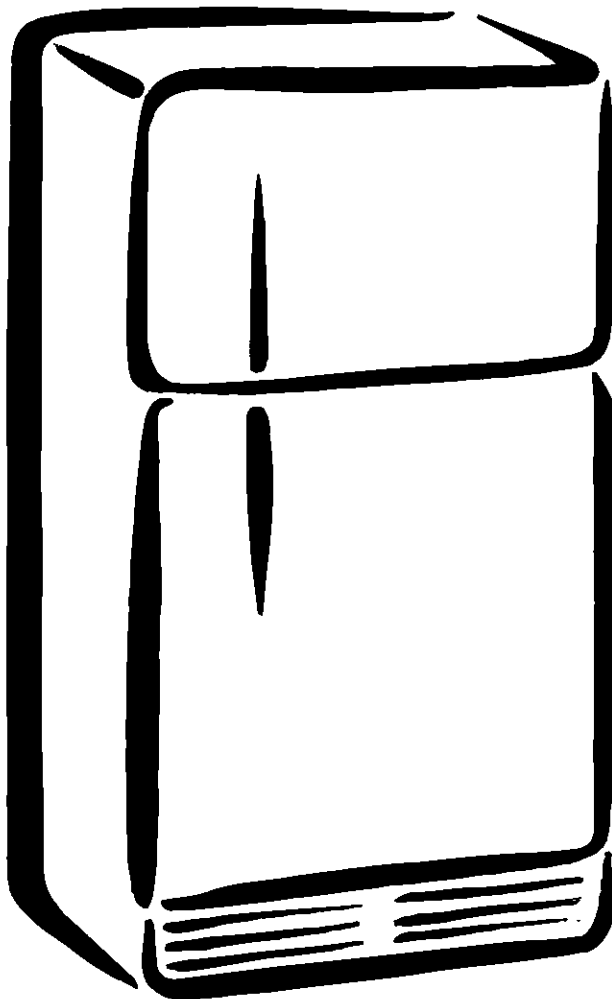
Congelador Superior

Guía para su uso y cuidado

## Réfrigérateur

Compartiments Superposés

Guide d'utilisation et d'entretien



ENGLISH

ESPAÑOL

FRANÇAIS

Sears, Roebuck and Co., Hoffman Estates, IL 60179 U.S.A.  
Sears Canada, Inc., Toronto, Ontario, Canada M5B 2B8

[www.sears.com](http://www.sears.com)  
240432302 (0105)



## Welcome & Congratulations

Congratulations on your purchase of a new refrigerator! We here at **Sears** are very proud of our product and we are completely committed to providing you with the best service possible. Your satisfaction is our #1 priority.

We know you'll enjoy your new refrigerator and **Thank You** for choosing our product. We hope you consider us for future purchases.

### PLEASE READ AND SAVE THESE INSTRUCTIONS

This Owner's Guide provides specific operating instructions for your model. Use your refrigerator only as instructed in this manual. These instructions are not meant to cover every possible condition and situation that may occur. Common sense and caution must be practiced when installing, operating and maintaining any appliance.

**Please record your model and serial numbers below for future reference. This information is found on the serial plate located inside the refrigerator compartment.**

**NOTE:** Use only soap and water to clean serial plate.

Model Number: 253

or: 970

Serial Number: \_\_\_\_\_

Purchase Date: \_\_\_\_\_

### TABLE OF CONTENTS

|                                                                               |       |
|-------------------------------------------------------------------------------|-------|
| Welcome .....                                                                 | 2     |
| Safety Instructions .....                                                     | 2-3   |
| Warranty .....                                                                | 3     |
| Canada - Limited Warranty .....                                               | 4     |
| Installation--Includes Connecting Optional Ice<br>Maker To Water Supply ..... | 5-6   |
| Door Removal & Reversal .....                                                 | 7-8   |
| Features At A Glance .....                                                    | 9     |
| Temperature Controls .....                                                    | 10    |
| Looking Inside .....                                                          | 11-13 |
| Ice Service .....                                                             | 14    |
| Food Storage & Energy Saving Tips ...                                         | 15    |
| Normal Operating Sounds & Sights ....                                         | 16    |
| Care & Cleaning .....                                                         | 17-18 |
| Before You Call .....                                                         | 19    |



## Important Safety Instructions

**WARNING** Please Read All Instructions Before Using This Refrigerator.

### FOR YOUR SAFETY

- Do not store or use gasoline, or other flammable liquids in the vicinity of this or any other appliance. Read product labels for warnings regarding flammability and other hazards.
- Do not operate the refrigerator in the presence of explosive fumes.
- Avoid contact with any moving parts of automatic ice maker.
- Remove all staples from the carton. Staples can cause severe cuts, and also destroy finishes if they come in contact with other appliances or furniture.

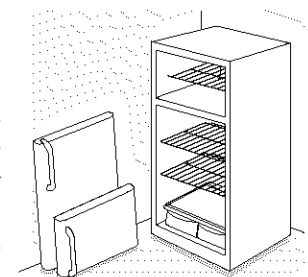
### CHILD SAFETY

Destroy or recycle the carton, plastic bags, and any exterior wrapping material immediately after the refrigerator is unpacked. Children should **NEVER** use these items to play. Cartons covered with rugs, bedspreads, plastic sheets or stretch wrap may become airtight chambers, and can quickly cause suffocation.

### PROPER DISPOSAL OF YOUR REFRIGERATOR OR FREEZER

#### Risk of child entrapment

Child entrapment and suffocation are not problems of the past. Junked or abandoned refrigerators or freezers are still dangerous – even if they will sit for “just a few days.” If you are getting rid of your old refrigerator or freezer, please follow the instructions below to help prevent accidents.



#### Before you throw away your old refrigerator/ freezer:

- Remove doors.
- Leave shelves in place so children may not easily climb inside.
- Have refrigerant removed by a qualified service technician.

ENGLISH





## Important Safety Instructions (cont.)



## Warranty Information

### ⚠ WARNING

These Guidelines Must Be Followed To Ensure That Safety Mechanisms In This Refrigerator Will Operate Properly.

### ELECTRICAL INFORMATION

- **The refrigerator must be plugged into its own dedicated 115 Volt, 60 Hz., AC only electric outlet.** The power cord of the appliance is equipped with a three-prong grounding plug for your protection against electrical shock hazards. It must be plugged directly into a properly grounded three-prong receptacle. The receptacle must be installed in accordance with local codes and ordinances. Consult a qualified electrician. **Do not use an extension cord or adapter plug.**
- Immediately repair or replace any power cord that becomes frayed or damaged.
- Never unplug the refrigerator by pulling on the power cord. Always grip the plug firmly, and pull straight out from the receptacle to prevent damaging the power cord.
- Unplug the refrigerator before cleaning and before replacing a light bulb to avoid electrical shock.
- Performance may be affected if the voltage varies by 10% or more. Operating the refrigerator with insufficient power can damage the compressor. Such damage is not covered under your warranty.
- Do not plug the unit into an outlet controlled by a wall switch or pull cord to prevent the refrigerator from being turned off accidentally.
- Avoid connecting refrigerator to a Ground Fault Interruptor (GFI) circuit.

**NOTE:** Turning the freezer temperature control to "0" turns off the compressor, but does not disconnect electrical power to the light bulb or other electrical components.

### FULL ONE-YEAR WARRANTY ON REFRIGERATOR

For one year from the date of purchase, when this refrigerator is operated and maintained according to the instructions provided in this Owner's Guide, Sears will repair this refrigerator, free of charge, if defective in material or workmanship.

### FULL FIVE-YEAR WARRANTY ON SEALED REFRIGERATION SYSTEM

For five years from the date of purchase, when this refrigerator is operated and maintained according to the instructions provided in this Owner's Guide, Sears will repair the sealed system (consisting of refrigerant, connecting tube, and compressor motor), free of charge, if defective in material or workmanship.

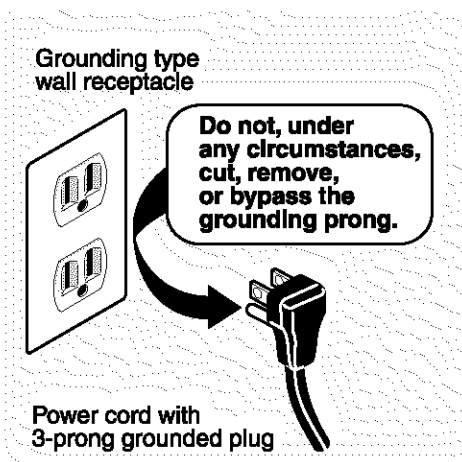
The above refrigerator warranty applies only to refrigerators which are used for storage of food for private household purposes.

This warranty gives you specific legal rights and you may also have other rights which vary from state to state.

Warranty service is available by contacting the NEAREST SEARS SERVICE CENTER/DEPARTMENT in the United States. See the back page of this manual.

For warranty questions, please contact the following address:

**Sears, Roebuck and Co.  
Dept. 817WA  
Hoffman Estates, IL 60179**



ENGLISH





## Warranty Information

# CANADA — LIMITED WARRANTY



## Refrigerators

Sears Canada Inc., warrants every new *Kenmore* refrigerator to be free from defects in material or workmanship. What Sears will do, free of charge, in case of defect:

| What is covered?                                                               | How long warranted?<br>(from date of sale) | Parts: At Sears' option,<br>either repair or supply<br>replacement part for: | Labor:<br>Install repaired or<br>replacement part for: |
|--------------------------------------------------------------------------------|--------------------------------------------|------------------------------------------------------------------------------|--------------------------------------------------------|
| The Compressor                                                                 | TEN (10) YEARS                             | TEN (10) YEARS                                                               | FIVE (5) YEARS                                         |
| The Sealed System<br>(consisting of refrigerant,<br>evaporator, and condenser) | FIVE (5) YEARS                             | FIVE (5) YEARS                                                               | FIVE (5) YEARS                                         |
| All other parts or<br>adjustments                                              | ONE (1) YEAR                               | ONE (1) YEAR                                                                 | ONE (1) YEAR                                           |

### Normal Responsibility of the Customer

The following items, since they are not manufacturing defects, are not included in the warranty, but are the responsibility of the customer:

- 1) Damage to finish after delivery.
- 2) Improper power supply, low voltage, or any defects in the house wiring system or appliance not connected to electric outlet.
- 3) Replacement of light bulbs.
- 4) Damage caused by moving the product from its original installation.
- 5) Service required as a result of alteration, abuse, fire, floods, or acts of God.
- 6) Providing adequate air circulation to the refrigerating system.
- 7) Proper use and care of product as listed in the customer's manual; proper setting of the controls.

If any service is required under this warranty, simply call **1-800-4-MY-HOME<sup>SM</sup>** (1-800-469-4663).

This warranty is in addition to any statutory warranty. The above warranty covers *Kenmore* Refrigerators sold and operated in Canada only and shall not apply if the refrigerator is used for other than domestic purposes.

### Sears Maintenance Agreement

Maintain the value of your *Kenmore* refrigerator with a Sears Maintenance Agreement.

**SEARS CANADA INC. • Toronto, Canada • M5B 2B8**

PRINTED IN U.S.A.

ENGLISH





# Installation

This Use & Care Manual provides specific operating instructions for your model. Use the refrigerator only as instructed in this Use & Care Manual. **Before starting the refrigerator, follow these important first steps.**

## LOCATION

- Choose a place that is near a grounded electrical outlet. **Do Not** use an extension cord or an adapter plug.
- If possible, place the refrigerator out of direct sunlight and away from the range, dishwasher or other heat sources.
- The refrigerator must be installed on a floor that is level and strong enough to support a fully loaded refrigerator.
- Consider water supply availability for models equipped with an automatic ice maker.

## INSTALLATION

- **Do Not** install the refrigerator where the temperature will drop below 55°F (13°C) or rise above 110°F (43°C). At these temperature extremes, the compressor will not be able to maintain proper temperatures inside the refrigerator.

**CAUTION** Do Not block the toe grille on the lower front of your refrigerator. Sufficient air circulation is essential for the proper operation of your refrigerator.

### Installation Clearances

- Allow the following clearances for ease of installation, proper air circulation, and plumbing and electrical connections:
  - Sides & Top ----- 3/8"
  - Back ----- 1"

**NOTE:** If you see black coils/tubing on the back of your refrigerator (air-cooled condenser) leave 3" clearance at top of refrigerator.

## DOOR OPENING

**NOTE:** If your refrigerator is placed with the door hinge side against a wall, you may have to allow additional space so the door can be opened wider.

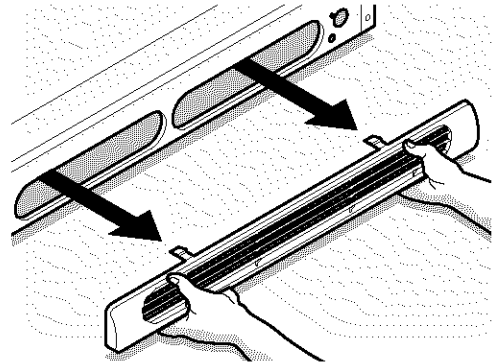
Your refrigerator should be positioned to allow easy access to a counter when removing food. To make this possible, the direction in which the doors open can be reversed. See *Door Removal & Reversal Instructions* on page 7.

## LEVELING

All four corners of your refrigerator must rest firmly on a solid floor. Your refrigerator is equipped with adjustable front rollers to help level your unit.

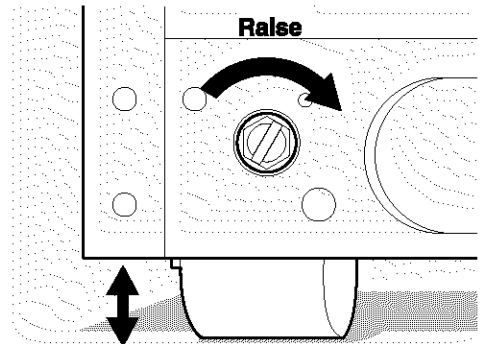
### To Level Your Refrigerator:

1. Remove toe grille.



2. Use flat-blade screwdriver or 3/8" socket wrench to adjust front rollers.

**NOTE:** Raise the front of the refrigerator enough so the doors close freely when opened halfway. The refrigerator should slope 1/4" to 1/2" from front-to-back. Then level the refrigerator from side to side.



ENGLISH





## Installation - Connecting Optional Ice Maker To Water Supply

**⚠ WARNING** To avoid electric shock, which can cause death or severe personal injury, disconnect the refrigerator from electrical power before connecting a water supply line to the refrigerator.

**⚠ CAUTION** To Avoid Property Damage:

- Copper tubing is recommended for the water supply line. Water supply tubing made of ¼" plastic is not recommended since it greatly increases the potential for water leaks. Manufacturer will not be responsible for any damage if plastic tubing is used for supply line.
- DO NOT install water supply tubing in areas where temperatures fall below freezing.
- Chemicals from a malfunctioning softener can damage the ice maker. If the ice maker is connected to soft water, ensure that the softener is maintained and working properly.

**IMPORTANT:** Ensure that your water supply line connections comply with all local plumbing codes.

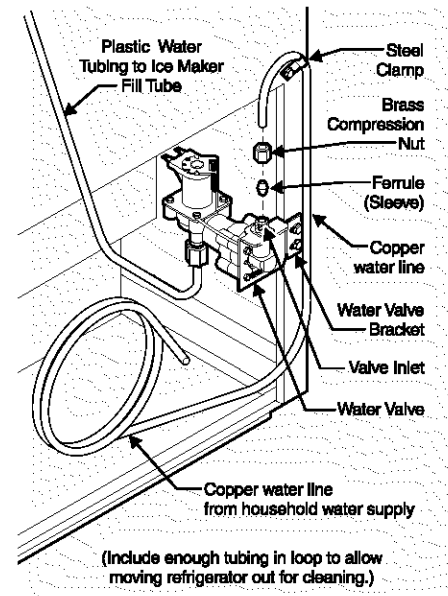
### Before Installing The Water Supply Line, You Will Need

- **Basic Tools:** adjustable wrench, flat-blade screwdriver, and Phillips™ screwdriver
- Access to a household cold water line with water pressure between 20 and 120 psi.
- A water supply line made of ¼ inch (6.4 mm) OD, copper tubing or braided water line. To determine the length of copper tubing needed, you will need to measure the distance from the ice maker inlet valve at the back of the refrigerator to your cold water pipe. Then add approximately 7 feet (2.1 meters), so the refrigerator can be moved out for cleaning (as shown).
- A shutoff valve to connect the water supply line to your household water system. **DO NOT** use a self-piercing type shutoff valve.
- A compression nut and ferrule (sleeve) for connecting the water supply line to the ice maker inlet valve.

**NOTE:** A water line kit is available through Sears retail or catalog stores at additional cost.

### To Connect Water Supply Line To Ice Maker Inlet Valve

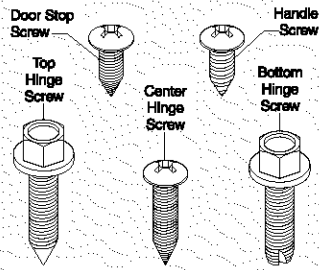
1. Disconnect refrigerator from electric power source.
2. Place end of water supply line into sink or bucket. Turn ON water supply and flush supply line until water is clear. Turn OFF water supply at shut off valve.
3. Unscrew plastic cap from water valve inlet and discard cap.
4. Slide brass compression nut, then ferrule (sleeve) onto water supply line, as shown.
5. Push water supply line into water valve inlet as far as it will go (¼ inch). Slide ferrule (sleeve) into valve inlet and finger tighten compression nut onto valve. Tighten another half turn with a wrench; **DO NOT** over tighten.
6. With steel clamp and screw, secure water supply line to rear panel of refrigerator as shown.
7. Coil excess water supply line (about 2½ turns) behind refrigerator as shown and arrange coils so they do not vibrate or wear against any other surface.
8. Turn ON water supply at shutoff valve and tighten any connections that leak.
9. Reconnect refrigerator to electrical power source.
10. To turn ice maker on, lower wire signal arm (see ice maker front cover for ON/OFF position of arm).



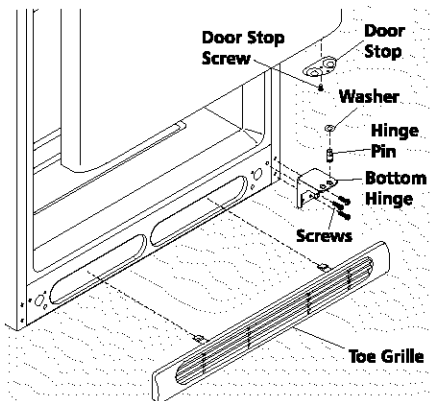
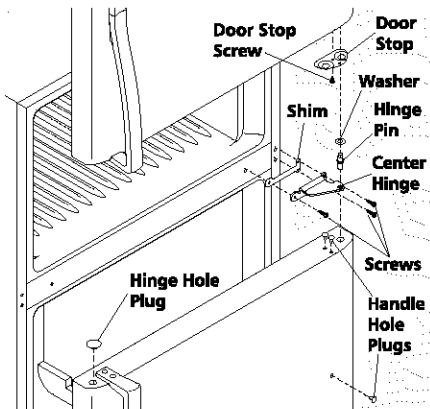
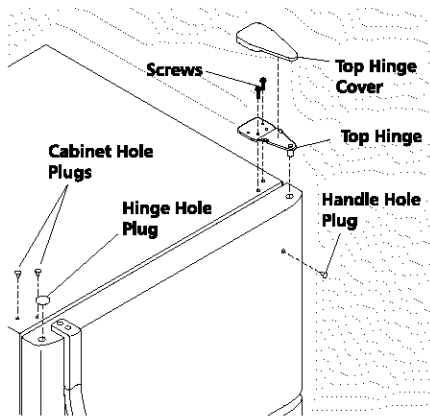
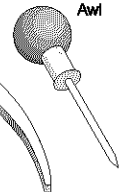
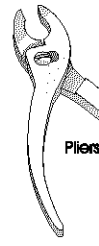
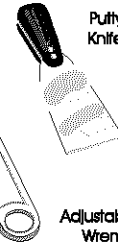
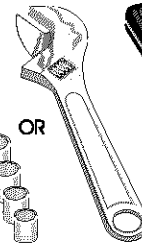
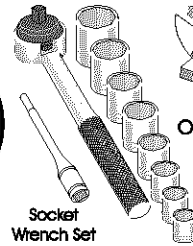
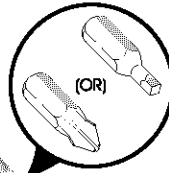
**IMPORTANT:** It takes approximately 24 hours for the ice maker to begin producing ice. Air in new plumbing lines may cause ice maker to cycle two or three times before making a full tray of ice. New plumbing may cause ice to be discolored or have poor flavor. Discard ice made during the first 24 hours.



# Door Removal and Reversal Instructions



## Tools Necessary:



## DOOR REMOVAL AND REVERSAL INSTRUCTIONS:

**NOTE:** The direction in which your refrigerator doors open (door swing) can be reversed, from left to right or right to left, by moving the door hinges from one side to the other. Reversing the door swing should be performed by a qualified person.

**IMPORTANT:** Before you begin, turn the refrigerator temperature control to "0" and remove the electrical power cord from the wall outlet. Remove any food from door shelves.

1. Remove toe grille and top hinge cover.
2. Remove top hinge with 3/8" hex driver and lift freezer door off of center hinge pin. Set door aside.
3. Unscrew center hinge pin using adjustable wrench and save for reassembly. Ensure plastic washer stays on hinge pin.
4. Lift refrigerator door off of bottom hinge and set aside.
5. Remove center hinge and shim by removing inside screw and loosening two outside screws enough to allow hinge and shim to slide out. Tighten screws.
6. Loosen two outside screws on opposite side of refrigerator, remove inside screw and install center hinge.
7. Remove bottom hinge with 3/8" hex driver. Reinsert two outside screws in holes and tighten. Inside screw will go to opposite side in step 8.
8. Remove two outside screws on opposite side of refrigerator and install bottom hinge. Insert and tighten screw saved from step 7.
9. Unscrew bottom hinge pin using adjustable wrench. Move hinge pin to other hole in hinge and tighten with adjustable wrench.
10. Reverse door handles (see instructions on next page).
11. Move freezer and refrigerator door stops to opposite side. Before starting screws, use an awl to puncture the foam.
12. Position refrigerator door onto bottom hinge pin and screw center hinge pin through center hinge into top of door. Close refrigerator door to help align hinge hole.
13. Tighten center hinge pin with adjustable wrench.
14. Remove cabinet and hinge hole plugs and move to opposite side.
15. Lower freezer door onto center hinge pin.
16. Close freezer door. Have an assistant lift up on opposite side of door while tightening screws to install top hinge.
17. Replace toe grille and top hinge cover.
18. Plug in electrical power cord and turn refrigerator temperature control to center position. Adjust setting as necessary.

ENGLISH



## Door Removal and Reversal Instructions (continued)

**NOTE:** Some models have “pocket” handles, which are recessed into the sides of the door. On these models, only the hinges will need to be reversed.

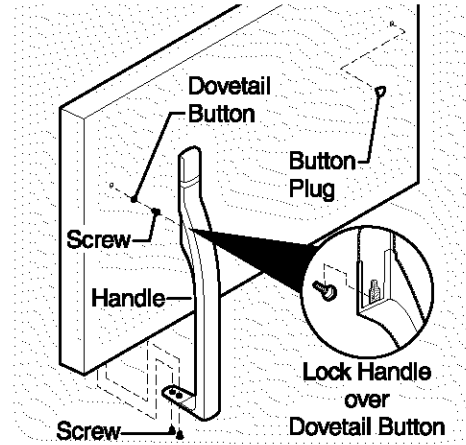
### TO REMOVE FREEZER HANDLE:

(Handles may be easier to reverse while doors are off.)

1. Remove two screws attaching handle to bottom of freezer door.
2. Swing bottom of handle away from the door and slide handle straight up and off of dovetail button.
3. Remove screw and dovetail button and install on other side, moving hole plugs from corresponding holes to opposite side.

### TO ATTACH FREEZER HANDLE:

1. Start with handle offset away from door. Place top of handle over dovetail button, swing handle into an upright position and pull downward, locking it into place.
2. Secure bottom of handle with two screws removed earlier.



### TRIM REMOVAL (FULL-LENGTH TRIM MODELS ONLY)

In some models, the refrigerator door has a full length trim piece which continues from the bottom of the handle to the bottom of the door. The top of the trim fits around the base of the handle. An adhesive “trim lock” is positioned about halfway down. The bottom of the trim is held in place by either an adhesive trim lock, or a trim lock with two prongs inserted into a hole on the face of the door.

### TO REMOVE TRIM:

1. Remove trim by gently pulling trim lock areas out and away from door.
2. When trim is free from door, slide the trim straight down and away from base of handle.

**NOTE:** For models with short handle trim, remove by sliding trim straight down and off of handle bracket.

### TO REMOVE REFRIGERATOR HANDLE:

(Handles may be easier to reverse while doors are off.)

1. Remove two screws attaching handle to top of refrigerator door.
2. Swing top of handle away from door and slide handle down and off of dovetail button.
3. Remove screw and dovetail button and install on other side, moving hole plugs from corresponding holes to opposite side.

### TO ATTACH REFRIGERATOR HANDLE:

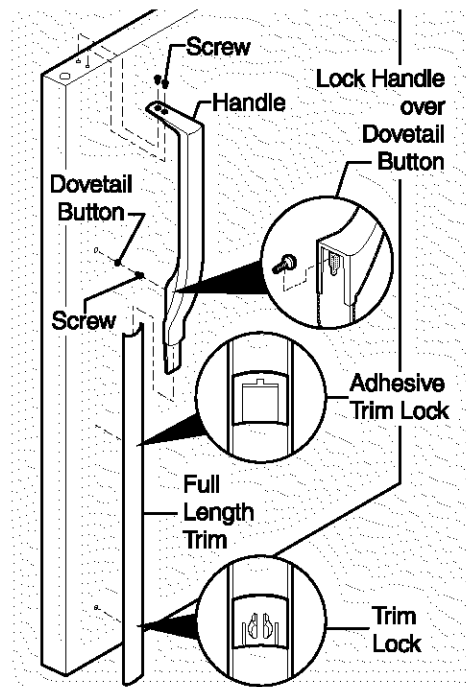
1. Start with handle offset away from door. Place bottom of handle over dovetail button, swing handle into an upright position and pull upward, locking it into place.
2. Secure top of handle with screws.

### TO ATTACH TRIM:

1. Slide both trim locks out of trim.
2. Insert new adhesive trim locks contained in your literature pack.

**NOTE:** Trim lock must be removed and installed by sliding over the two donut shaped areas.

3. Install trim to handle by sliding over base of handle. Carefully align trim and press down at trim lock locations.
4. Replace hole plug on opposite side. Use rubbing alcohol to remove any adhesive residue from old trim lock locations.

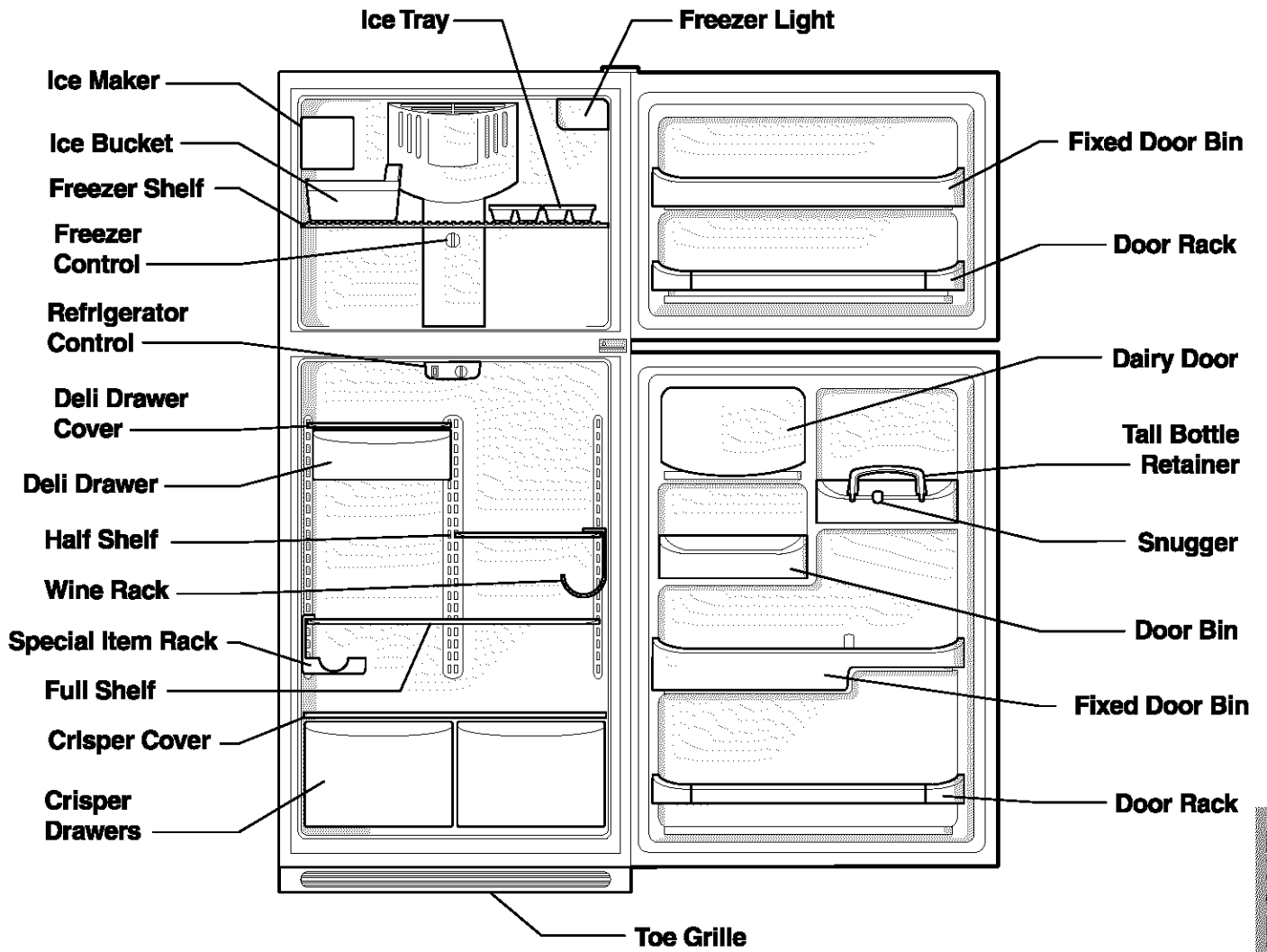


ENGLISH





## Features At A Glance



*Features may vary according to model*



# Temperature Controls

## COOL DOWN PERIOD

To ensure safe food storage, allow the refrigerator to operate with the doors closed for at least 8 to 12 hours before loading it with food.

## REFRIGERATOR & FREEZER CONTROLS

**NOTE:** When first setting the controls or when changing a setting, wait 24 hours for the temperature to stabilize before making additional changes.

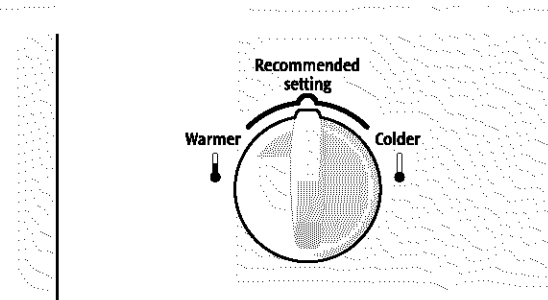
## TEMPERATURE ADJUSTMENT

**NOTE:** When first turning refrigerator on, move refrigerator and freezer controls to ▼ which is the recommended initial setting. After 24 hours, adjust the controls as needed.

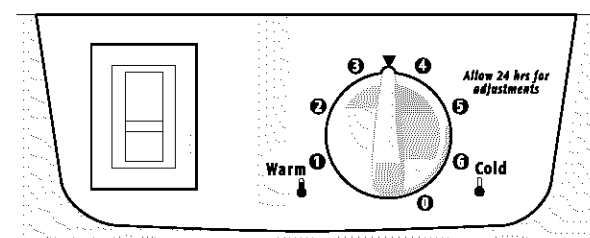
- **Adjust temperature gradually:** move the knob in small increments, allowing the temperature to stabilize.
- For colder temperatures, turn the knob towards **Cold**.
- For warmer temperatures, turn the knob towards **Warm**.

Turning the refrigerator control will change temperatures in both compartments. For example, if the refrigerator control is turned to a colder setting, the freezer control may have to be adjusted to a warmer setting. Turning the freezer control will change only the freezer temperature.

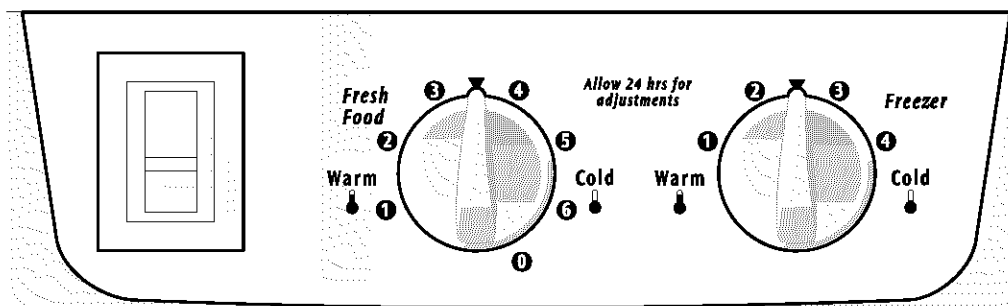
To maintain temperatures, a fan circulates air in the refrigerator and freezer compartments. For good circulation, do not block cold air vents with food items.



Freezer Control (some models)



Refrigerator Control (some models)



Refrigerator & Freezer Control (some models)

**IMPORTANT:** Turning the refrigerator temperature control to "0" turns off the compressor, but does not disconnect the power to the light bulb and other electrical components.

| TEMPERATURE ADJUSTMENT GUIDE            |                                                          |
|-----------------------------------------|----------------------------------------------------------|
| If Refrigerator compartment Is Too Warm | Turn Refrigerator Control Slightly Towards <b>Cold</b> . |
| If Refrigerator compartment Is Too Cold | Turn Refrigerator Control Slightly Towards <b>Warm</b> . |
| If Freezer compartment Is Too Warm      | Turn Freezer Control Slightly Towards <b>Colder</b> .    |
| If Freezer compartment Is Too Cold      | Turn Freezer Control Slightly Towards <b>Warmer</b> .    |
| To Turn Refrigerator Off                | Turn Refrigerator Control To <b>0</b> .                  |

ENGLISH





## Looking Inside

**CAUTION** To avoid personal injury or property damage, handle tempered glass shelves carefully. Shelves may break suddenly if nicked, scratched, or exposed to sudden temperature change.

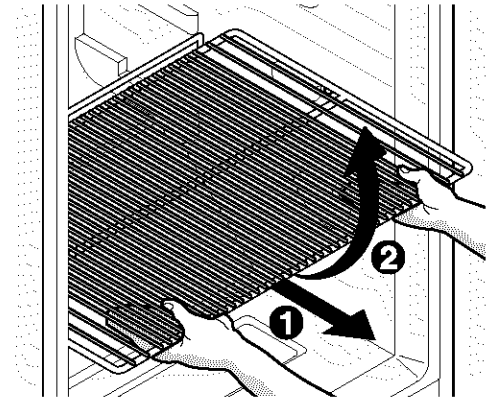
### SHELF ADJUSTMENT

Refrigerator shelves are easily adjusted to suit individual needs. Before adjusting the shelves, remove all food.

#### To adjust sliding shelves:

- 1 Remove shelf by pulling forward to stop position.
- 2 Lift front edge up and pull out.

Replace the shelf on any pair of rails by reversing this procedure.



Sliding Wire Shelf

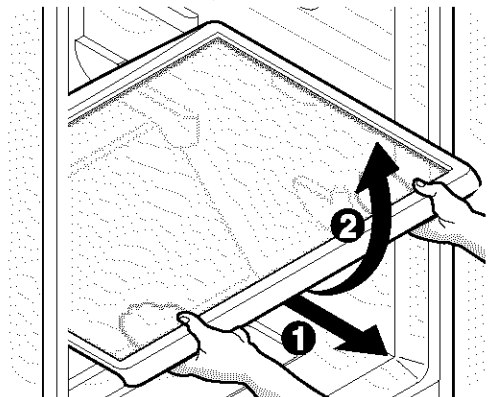
#### To adjust cantilever shelves:

**NOTE:** Cantilever shelves are supported at the back of the refrigerator. Cantilever shelves are available in either glass or wire.

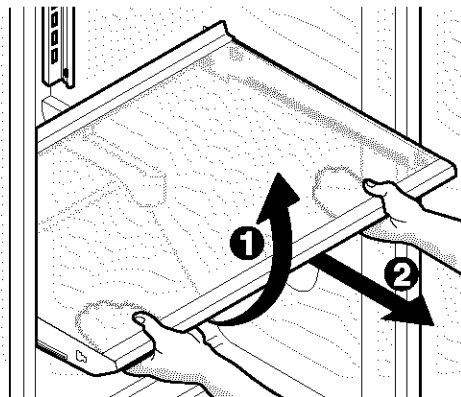
- 1 Lift front edge up.
- 2 Pull shelf out.

Replace the shelf by inserting the hooks at rear of the shelf into the wall bracket. Lower the shelf into the desired slots and lock into position.

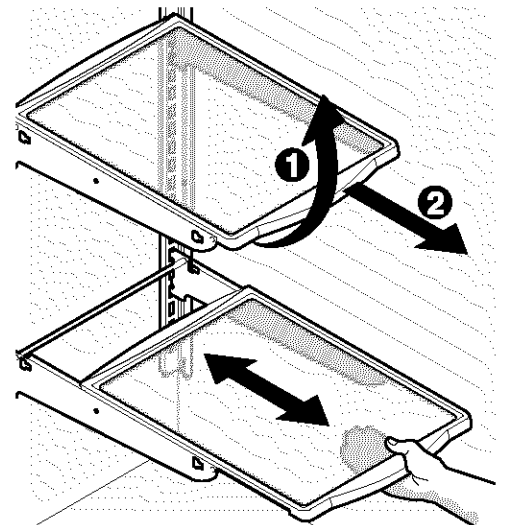
*SpillProof™* glass shelves (some models) catch and hold accidental spills. In some models, the *SpillProof™* shelves slide out for easy access to food and for fast cleaning. The shelves slide out independently of the cantilever brackets. Just pull the front of the shelf forward. The shelf can be extended as far as the stopper will allow but it is **not** removable from the cantilever bracket.



Sliding Glass Shelf



Full Width Cantilever Glass Shelf



Cantilever Glass Shelf - Fixed and Sliding

ENGLISH



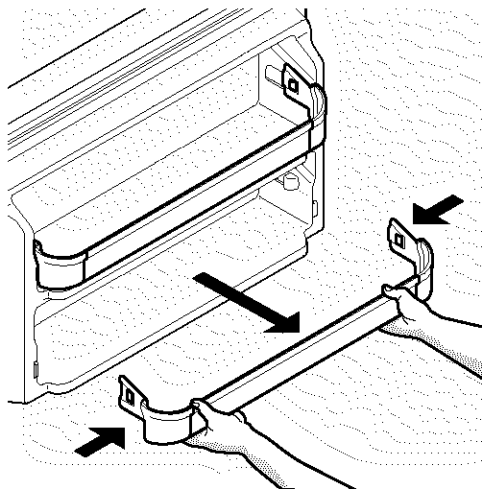
## Looking Inside (continued)

### DOOR STORAGE

Door bins, shelves, and racks are provided for convenient storage of jars, bottles, and cans. Frequently used items can be quickly selected.

Some models have door racks or bins that can accommodate gallon-sized plastic drink containers and economy-sized jars and containers. Some racks are adjustable for maximum storage capacity.

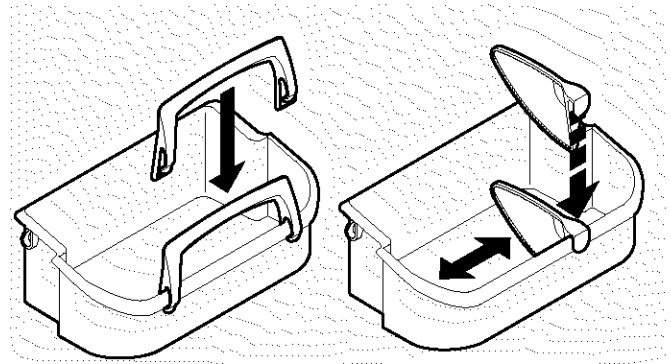
The dairy compartment, which is warmer than the general food storage section, is intended for short term storage of cheese, spreads, or butter.



Door Rack

### TALL BOTTLE RETAINER (SOME MODELS)

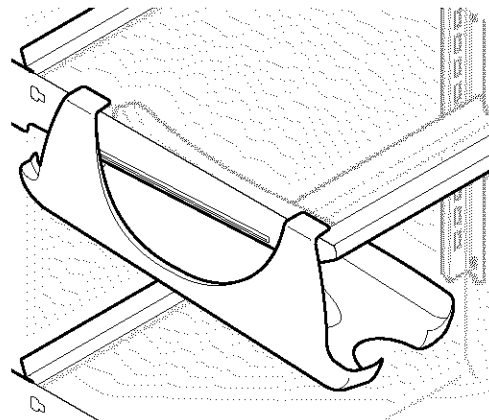
The Tall Bottle Retainer keeps tall containers in the bin from falling forward when opening or closing the refrigerator door. To install, hold the retainer at the top, and slide it over the outside wall of the bin, as shown in the diagram. The Tall Bottle Retainer works best with a Bin Snugger.



Tall Bottle Retainer (left) and Bin Snugger (right)

### SPECIAL ITEM RACK (SOME MODELS)

The innovative design of the Special Item Rack allows you to store a six-pack of 12 ounce drink cans, a bottle of wine, a two-liter soft drink bottle, or a carton of eggs. The Special Item Rack mounts on the left side of your refrigerator. To install, just slide the Special Item Rack onto any shelf as shown in the drawing.



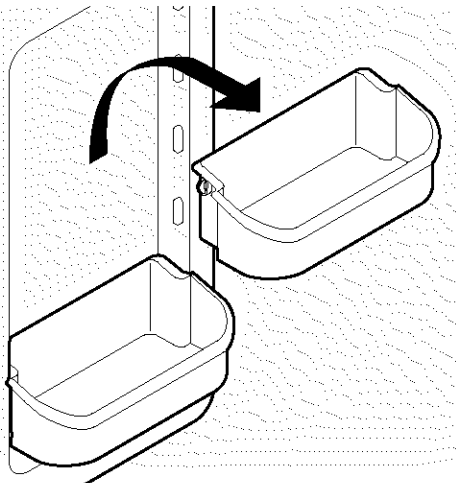
Special Item Rack

### ADJUSTABLE DOOR BINS

Some models have adjustable door bins that can be moved to suit individual needs.

*To move door bins*

1. Lift bin straight up.
2. Remove bin.
3. Place bin in desired position.
4. Lower bin onto supports until locked in place.



Adjustable Door Bin

ENGLISH

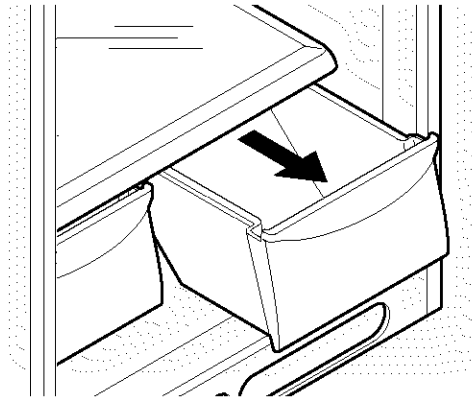




## Looking Inside - (continued)

### CRISPERS (SOME MODELS)

The crispers, located under the bottom refrigerator shelf, are designed for storing fruits, vegetables, and other fresh produce. Wash items in clear water and remove excess water before placing them in the crispers. Items with strong odors or high moisture content should be wrapped before storing.

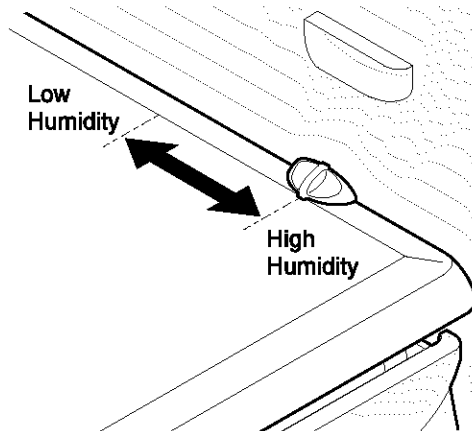


Crisper Drawer

### HUMIDITY CONTROL (SOME MODELS)

The Humidity Control, present on some models with crisper drawers, allows you to adjust the humidity within the crisper. This can extend the life of fresh vegetables that keep best in high humidity.

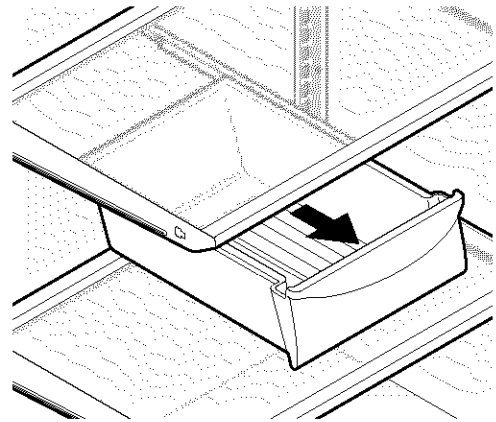
**NOTE:** Leafy vegetables keep best when stored with the Humidity Control set on **High Humidity**, or in a drawer without a Humidity Control. This keeps incoming air to a minimum and maintains maximum moisture content.



Crisper Humidity Control

### DELI DRAWER (SOME MODELS)

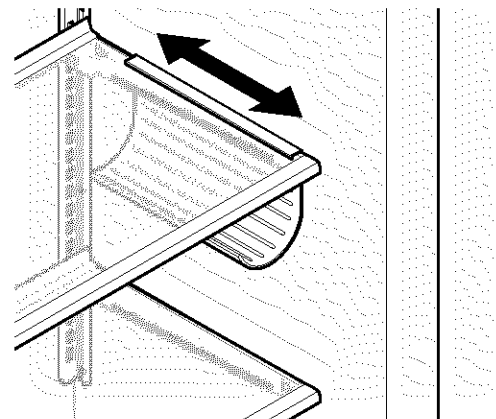
Some models are equipped with a Deli Drawer for storage of luncheon meats, spreads, cheeses, and other deli items.



Deli Drawer

### WINE RACK (SOME MODELS)

The Wine Rack stores bottles of wine, or single two-liter plastic bottles of juice or soda pop. To install, slide the Wine Rack onto the shelf with the curve facing in. To remove, slide the Wine Rack out. Install on either side of shelf.



Wine Rack



## Ice Service

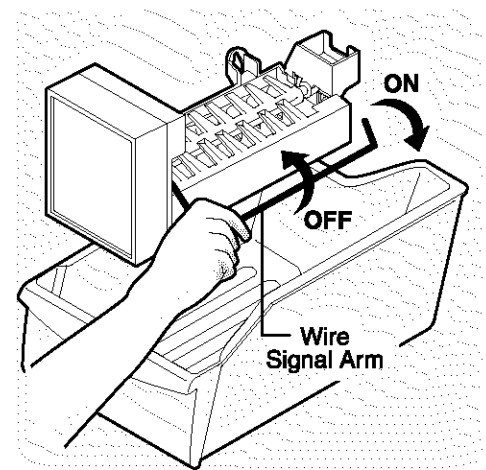
If your refrigerator has an automatic ice maker, it will provide a sufficient supply of ice for normal use. During the initial startup of your refrigerator, however, no ice will be produced during the first 24 hours of operation. Automatic ice makers are also optional accessories that may be installed in most models at any time. Call your local dealer for information.

### TURNING YOUR ICE MAKER ON

After the plumbing connections have been completed, the water supply valve must be opened. Place the ice container under the ice maker, pushing it as far back as possible. Lower the wire signal arm to its “down” or ON position. New plumbing connections may cause the first production of ice cubes to be discolored or have an odd flavor. These first cubes should be discarded until the cubes produced are free of discoloration and taste.

### TURNING YOUR ICE MAKER OFF

To stop the ice maker, lift the wire signal arm until it clicks and locks in the “up” or OFF position. The ice maker also turns off automatically when the ice container is full. If your model has an adjustable freezer shelf, place the shelf in the lower position, so that the wire signal arm will hit the ice when the container is full.



Ice Maker

**CAUTION** Chemicals from a malfunctioning softener can damage the ice maker. If the ice maker is connected to soft water, ensure that the softener is maintained and working properly.

### ICE MAKER TIPS

- Ice cubes stored too long may develop an odd flavor. Empty the ice container and ensure that the wire signal arm is in its “down” or ON position. The ice maker will then produce more ice.
- Occasionally shake the ice container to keep ice separated.
- Keep the wire signal arm in its “up” or OFF position until the refrigerator is connected to the water supply or whenever the water supply is turned off.
- The following sounds are normal when the ice maker is operating:
  - Motor running
  - Ice loosening from tray
  - Ice dropping into ice container
  - Running water
  - Water valve opening or closing

**NOTE:** For more information on these operations, see *Normal Operating Sounds and Sights* section on page 16.

**CAUTION** Do Not place the ice container in your dishwasher.

- Wash the ice container in warm water with mild detergent. Rinse well and dry.
- Stop the ice maker when cleaning the freezer and during vacations.
- If the ice maker will be turned off for a long period of time, turn the water supply valve to the closed position.

ENGLISH





# Food Storage & Energy Saving Ideas

## FOOD STORAGE IDEAS

### Fresh Food Storage

- The fresh food compartment should be kept between 34° F and 40° F with an optimum temperature of 37° F.
- Avoid overcrowding the refrigerator shelves. This reduces the circulation of air around the food and results in uneven cooling.

### Fruits and Vegetables

- Storage in the crisper drawers traps moisture to help preserve the fruit and vegetable quality for longer time periods.

### Meat

- Raw meat and poultry should be wrapped securely so leakage and contamination of other foods or surfaces does not occur.

### Frozen Food Storage

- The freezer compartment should be kept at 0° F or lower.
- A freezer operates most efficiently when it is at least 2/3 full.

### Packaging Foods for Freezing

- To minimize dehydration and quality deterioration, use aluminum foil, freezer wrap, freezer bags or airtight containers. Force as much air out of the packages as possible and seal them tightly. Trapped air can cause food to dry out, change color, and develop an off-flavor (freezer burn).
- Wrap fresh meats and poultry with suitable freezer wrap prior to freezing.
- Do not refreeze meat that has completely thawed.

### Loading the Freezer

- Avoid adding too much warm food to the freezer at one time. This overloads the freezer, slows the rate of freezing, and can raise the temperature of frozen foods.
- Leave a space between the packages, so cold air can circulate freely, allowing food to freeze as quickly as possible.
- Avoid storing hard-to-freeze foods such as ice cream and orange juice on the freezer door shelves. These foods are best stored in the freezer interior where the temperature varies less.

## ENERGY SAVING IDEAS

- Locate the refrigerator in the coolest part of the room, out of direct sunlight, and away from heating ducts or registers. Do not place the refrigerator next to heat-producing appliances such as a range, oven, or dishwasher. If this is not possible, a section of cabinetry or an added layer of insulation between the two appliances will help the refrigerator operate more efficiently.
- Level the refrigerator so that the doors close tightly.
- Refer to this Use & Care Manual for the suggested temperature control settings.
- Periodic cleaning of the condenser will help the refrigerator run more efficiently. See the *Care and Cleaning Chart* on page 17.
- Do not overcrowd the refrigerator or block cold air vents. Doing so causes the refrigerator to run longer and use more energy.
- Cover foods and wipe containers dry before placing them in the refrigerator. This cuts down on moisture build-up inside the unit.
- Organize the refrigerator to reduce door openings. Remove as many items as needed at one time and close the door as soon as possible.



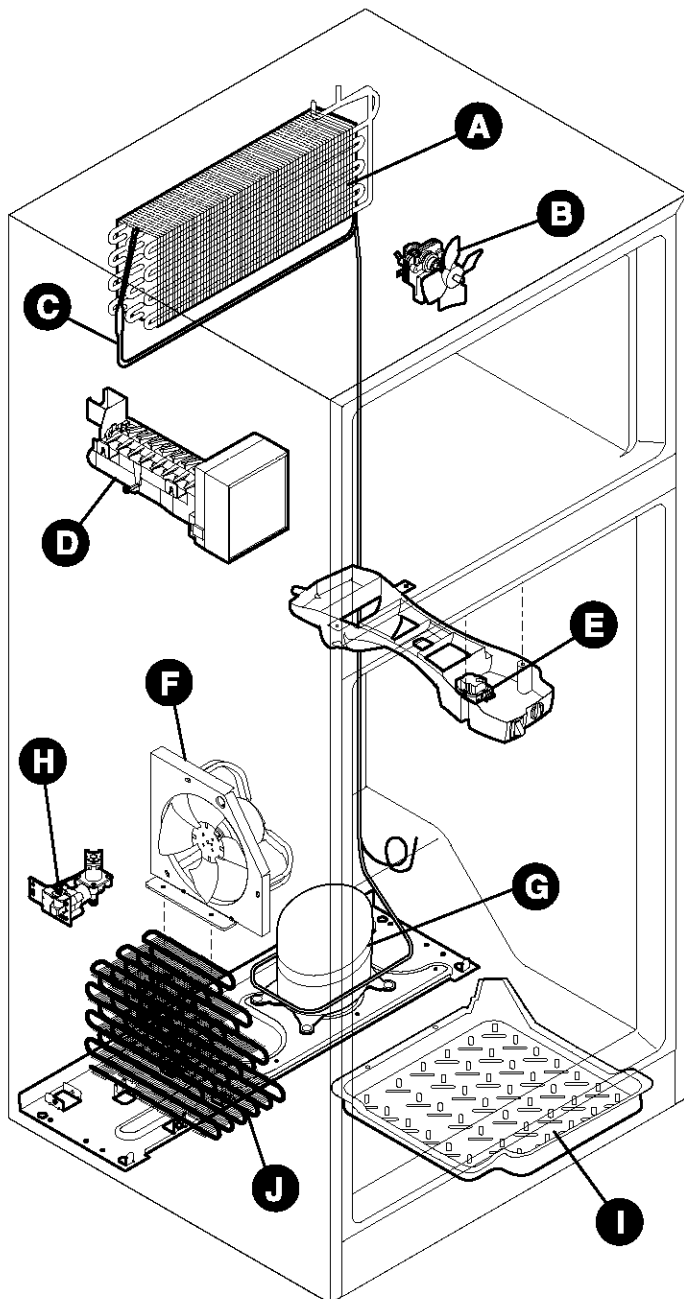


## Normal Operating Sounds & Sights

### UNDERSTANDING THE SOUNDS YOU MAY HEAR

Your new high-efficiency refrigerator may make unfamiliar sounds. Don't be alarmed, these are all normal sounds. Hard surfaces, such as vinyl or wood floors, walls, and kitchen cabinets may make sounds more noticeable. Listed below are descriptions of some of the most common sounds you may hear, and what is causing them.

**NOTE:** Rigid foam insulation is very energy efficient, but is not a sound insulator.



#### A. *Evaporator*

The flow of refrigerant through the evaporator may create a boiling or gurgling sound.

#### B. *Evaporator Fan*

You may hear air being forced through the refrigerator by the evaporator fan.

#### C. *Defrost Heater*

During defrost cycles, water dripping onto the defrost heater may cause a hissing or sizzling sound. After defrosting, a popping sound may occur.

**IMPORTANT:** During the automatic defrost cycle, you may notice a red glow in the vents on the back wall of your freezer compartment. This is normal during the defrost cycle.

#### D. *Automatic Ice Maker*

If your refrigerator is equipped with an automatic ice maker, you will hear ice cubes falling into the ice bin.

#### E. *Cold Control & Defrost Timer*

These parts can produce a snapping or clicking sound when turning the refrigerator on and off. The timer also produces sounds similar to an electric clock.

#### F. *Condenser Fan*

If condenser coils are located underneath your refrigerator as shown in the drawing at the left, you have a condenser fan. You may hear air being forced through the condenser by the condenser fan.

#### G. *Compressor*

Modern, high-efficiency compressors operate much faster than older models. The compressor may have a high-pitched hum or pulsating sound.

#### H. *Water Valve*

If your refrigerator is equipped with an automatic ice maker, you will hear a buzzing sound as the water valve opens to fill the ice maker during each cycle.

#### I. *Drain Pan (Nonremovable)*

You may hear water running into the drain pan during the defrost cycle. The drain pan will be located on top of the compressor for air-cooled condensers (black coils on back of refrigerator).

#### J. *Condenser Coils (Fan-cooled models only)*



## Care & Cleaning

Keep your refrigerator and freezer clean to prevent odor build-up. Wipe up any spills immediately and clean both sections at least twice a year. **Never** use metallic scouring pads, brushes, abrasive cleaners or strong alkaline solutions on any surface. **Do not** wash any removable parts in a dishwasher. **Always unplug the electrical power cord from the wall outlet before cleaning.**

### CAUTION

- When moving the refrigerator, pull straight out. Do not shift the refrigerator from side to side as this may tear or gouge the floor covering. If the refrigerator has an automatic ice maker, be careful not to move the refrigerator beyond the plumbing connections.
- Damp objects stick to cold metal surfaces. Do not touch refrigerated surfaces with wet or damp hands.
- To avoid damage and help the refrigerator run as efficiently as possible, clean the condenser periodically.

### NOTES:

- Turning the refrigerator temperature control to "0" turns off the compressor, but does not disconnect electrical power to the light bulb or other electrical components.
- Do not use razor blades or other sharp instruments which can scratch the appliance surface when removing adhesive labels. Any glue left from tape or labels can be removed with a mixture of warm water and mild detergent, or, touch the glue residue with the sticky side of tape you have already removed. **Do not remove the serial plate.**

| Care & Cleaning Chart                              |                                                                                                                                       |                                                                                                                                                                                                                                                                                                                                                                     |
|----------------------------------------------------|---------------------------------------------------------------------------------------------------------------------------------------|---------------------------------------------------------------------------------------------------------------------------------------------------------------------------------------------------------------------------------------------------------------------------------------------------------------------------------------------------------------------|
| Part                                               | What To Use                                                                                                                           | Tips and Precautions                                                                                                                                                                                                                                                                                                                                                |
| Interior/Door Liner                                | <ul style="list-style-type: none"> <li>• Soap and water</li> <li>• Baking soda and water</li> </ul>                                   | Use 2 tablespoons of baking soda in 1 quart of warm water. <b>Be sure to wring excess water out of sponge or cloth before cleaning around controls, light bulb or any electrical part.</b>                                                                                                                                                                          |
| Door Gaskets                                       | <ul style="list-style-type: none"> <li>• Soap and water</li> </ul>                                                                    | Wipe gaskets with a clean soft cloth.                                                                                                                                                                                                                                                                                                                               |
| Drawers/Bins                                       | <ul style="list-style-type: none"> <li>• Soap and water</li> </ul>                                                                    | Do not wash any removable items (bins, drawers, etc.) in dishwasher.                                                                                                                                                                                                                                                                                                |
| Glass Shelves                                      | <ul style="list-style-type: none"> <li>• Soap and water</li> <li>• Glass cleaner</li> <li>• Mild liquid sprays</li> </ul>             | Allow glass to warm to room temperature before immersing in warm water.                                                                                                                                                                                                                                                                                             |
| Toe Grille                                         | <ul style="list-style-type: none"> <li>• Soap and water</li> <li>• Mild liquid sprays</li> <li>• Vacuum attachment</li> </ul>         | Vacuum dust from front of toe grille. Remove toe grille (See illustration on page 5). Vacuum backside and wipe with sudsy cloth or sponge. Rinse and dry.                                                                                                                                                                                                           |
| Exterior and Handles                               | <ul style="list-style-type: none"> <li>• Soap and water</li> </ul>                                                                    | Do not use commercial household cleaners, ammonia, or alcohol to clean handles.                                                                                                                                                                                                                                                                                     |
| Exterior and Handles (Stainless Steel Models Only) | <ul style="list-style-type: none"> <li>• Soap and water</li> <li>• Ammonia</li> <li>• Stainless Steel Cleaners</li> </ul>             | Clean stainless steel front and handles with soapy water. Use ammonia on stubborn spots. Use a non-abrasive stainless steel cleaner. These cleaners can be purchased at most home improvement or major department stores.                                                                                                                                           |
| Condenser Coils (Fan-cooled models only)           | <ul style="list-style-type: none"> <li>• Condenser Cleaning Brush is available from your dealer.</li> <li>• Vacuum Cleaner</li> </ul> | No need to clean unless operating refrigerator under particularly dusty or greasy conditions, or if there is significant pet traffic in your home. If cleaning is necessary, remove toe grille and use extended vacuum attachment and condenser cleaning brush to remove dust build-up from condenser coils (see item "J" in illustration on page 16 for location). |
| Condenser Coils (Air-cooled models only)           | <ul style="list-style-type: none"> <li>• Vacuum Cleaner</li> </ul>                                                                    | Use the dusting tool attachment on your vacuum to remove dust build-up on the condenser coils (black tubes and wires) attached to the back of air-cooled refrigerators only.                                                                                                                                                                                        |
| Defrost Water Pan                                  | <ul style="list-style-type: none"> <li>• Soap and water</li> </ul>                                                                    | Some models have defrost water pan located on top of compressor at bottom rear of refrigerator (see illustration on next page). Wipe water pan with damp cloth. NOTE: The defrost water pan is NOT removable.                                                                                                                                                       |

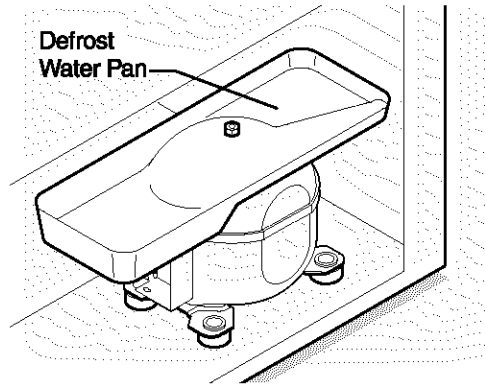


## Care & Cleaning (continued)

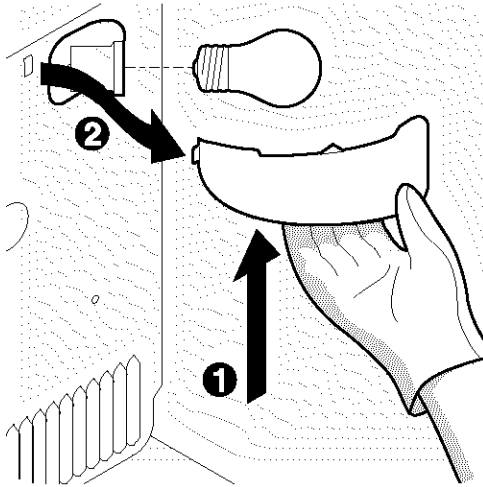
**CAUTION** Avoid cuts when replacing light bulbs, wear gloves.

### REPLACING THE FREEZER LIGHT BULB (SOME MODELS)

1. Unplug refrigerator.
2. Wear gloves as protection against possible broken glass.
3. Unsnap light shield as shown.
4. Unscrew and replace old bulb with an appliance bulb of the same wattage.
5. Replace light shield.
6. Remember to plug the refrigerator back in.



Nonremovable Defrost Water Pan  
(some models)



ENGLISH

| Vacation and Moving Tips |                                                                                                                                                                                                                                                                                                                                                                                                            |
|--------------------------|------------------------------------------------------------------------------------------------------------------------------------------------------------------------------------------------------------------------------------------------------------------------------------------------------------------------------------------------------------------------------------------------------------|
| <b>Short Vacations</b>   | <ul style="list-style-type: none"> <li>• Leave refrigerator operating during vacations of 3 weeks or less.</li> <li>• Use all perishable items from refrigerator compartment.</li> <li>• Turn automatic ice maker off, even if you will only be gone for a few days.</li> </ul>                                                                                                                            |
| <b>Long Vacations</b>    | <ul style="list-style-type: none"> <li>• Remove all food and ice if you will be gone one month or more.</li> <li>• Turn controls to "0" and disconnect power.</li> <li>• Turn off automatic ice maker and turn water supply valve to closed position.</li> <li>• Clean interior thoroughly.</li> <li>• Leave both doors open to prevent odors and mold build-up. Block doors open if necessary.</li> </ul> |
| <b>Moving</b>            | <ul style="list-style-type: none"> <li>• Remove all food and ice.</li> <li>• If using handcart, load from side.</li> <li>• Adjust rollers all the way up to protect them during sliding or moving.</li> <li>• Pad cabinet to avoid scratching surface.</li> </ul>                                                                                                                                          |



# ATTENTION

**To Properly Install Your Refrigerator  
See “Installation” Section On Pages 5-6**

**OR**

**To Reverse The Doors**

**See “Door Removal & Reversal” Section On Pages 7-8**



## Before You Call

| Common Occurrences                                                             | Before calling for service, review this list. It may save you time and expense. This list includes common occurrences that are not the result of defective workmanship or materials in this appliance.                                                                                                                               |
|--------------------------------------------------------------------------------|--------------------------------------------------------------------------------------------------------------------------------------------------------------------------------------------------------------------------------------------------------------------------------------------------------------------------------------|
| <b>Refrigerator does not run.</b>                                              | <ul style="list-style-type: none"> <li>• Ensure plug is tightly pushed into electrical outlet.</li> <li>• Check/replace fuse with a 15 amp time-delay fuse. Reset circuit breaker.</li> <li>• The temperature control is turned to “O”.</li> <li>• Refrigerator may be in defrost cycle. Wait 20 minutes and check again.</li> </ul> |
| <b>Freezer temperature too cold. Refrigerator temperature is satisfactory.</b> | <ul style="list-style-type: none"> <li>• Set freezer control to a warmer setting until freezer temperature is satisfactory. Allow 24 hours for the temperature to stabilize.</li> </ul>                                                                                                                                              |
| <b>Refrigerator temperature too cold. Freezer temperature is satisfactory.</b> | <ul style="list-style-type: none"> <li>• Set refrigerator control to a warmer setting. Allow 24 hours for temperature to stabilize. Then check freezer temperatures and adjust as needed.</li> </ul>                                                                                                                                 |
| <b>* Refrigerator is noisy or vibrates.</b>                                    | <ul style="list-style-type: none"> <li>• The cabinet is not level.</li> <li>• Floor is weak.</li> </ul>                                                                                                                                                                                                                              |
| <b>Odors in refrigerator.</b>                                                  | <ul style="list-style-type: none"> <li>• Interior needs to be cleaned.</li> <li>• Foods that produce odors should be covered or wrapped.</li> </ul>                                                                                                                                                                                  |
| <b>Cabinet light not working.</b>                                              | <ul style="list-style-type: none"> <li>• Replace light bulb.</li> <li>• Ensure plug is tightly pushed into electrical outlet.</li> <li>• Light switch may be stuck. Push in light switch, located on the refrigerator control box, to release.</li> </ul>                                                                            |
| <b>Automatic ice maker not working. (some models)</b>                          | <ul style="list-style-type: none"> <li>• Ensure the Wire Signal Arm is not in UP position.</li> <li>• Ice maker should produce 4 to 5 pounds of ice in a 24 hour period.</li> <li>• Water supply is turned off.</li> <li>• Water pressure is too low.</li> <li>• The freezer is not cold enough.</li> </ul>                          |

\* See Normal Operating Sounds and Sights section on page 16.

ENGLISH





## Bienvenido y felicitaciones

¡Felicitaciones por la compra de su nuevo refrigerador! En **Sears** nos sentimos muy orgullosos de nuestro producto y nos comprometemos totalmente a brindarle el mejor servicio posible. Su satisfacción es nuestra primera prioridad.

Estamos seguros de que disfrutará su nuevo refrigerador y permítanos darle las **gracias** por preferir nuestro producto. Esperamos contar con su preferencia en futuras compras.

### SÍRVASE LEER Y GUARDAR ESTAS INSTRUCCIONES

Este manual de uso y cuidado contiene instrucciones específicas para el funcionamiento de su unidad. Use el refrigerador sólo como se especifica en este manual. Estas instrucciones no pretenden abarcar todas las condiciones y situaciones que pudieran presentarse. Por favor, use el sentido común y tenga precaución al instalar, poner en funcionamiento y darle mantenimiento a cualquier electrodoméstico.

**Escriba los números de modelo y de serie en las siguientes líneas para futura referencia. Dichos números se encuentran en la placa de identificación ubicada en el compartimiento interno del refrigerador.**

**NOTA:** Use sólo jabón y agua para limpiar la placa de identificación.

Número de modelo: 253.

O 970.

Número de serie: \_\_\_\_\_

Fecha de compra: \_\_\_\_\_

## INDICE DE CONTENIDO

|                                                                                        |       |
|----------------------------------------------------------------------------------------|-------|
| Bienvenido .....                                                                       | 21    |
| Instrucciones de seguridad .....                                                       | 21-22 |
| Garantía .....                                                                         | 22    |
| Canadá - Garantía limitada .....                                                       | 23    |
| Instalación -- Incluye la conexión del fabricante de hielo al suministro de agua ..... | 24-25 |
| Extracción e inversión de puertas .....                                                | 26-27 |
| Características a la vista .....                                                       | 28    |
| Controles de temperatura .....                                                         | 29    |
| Vista interior .....                                                                   | 30-32 |
| Fabricación de hielo .....                                                             | 33    |
| Almacenamiento de alimentos y consejos para el ahorro de energía .....                 | 34    |
| Sonidas y señales que indican funcionamiento normal .....                              | 35    |
| Cuidado y limpieza .....                                                               | 36-37 |
| Antes de llamar al servicio técnico .....                                              | 38    |



## Instrucciones importantes de seguridad



**Sírvase leer todas las instrucciones antes de usar este refrigerador.**

### PARA SU SEGURIDAD

- No almacene ni utilice gasolina u otros líquidos inflamables cerca de este o cualquier otro electrodoméstico. Lea las advertencias sobre inflamabilidad y otros peligros que aparecen en las etiquetas del producto.
- No ponga a funcionar el refrigerador cuando haya vapores explosivos.
- Evite el contacto con las partes móviles del fabricante automático de hielo.
- Quite todas las grapas del cartón, ya que éstas pueden causar heridas graves y también dañar el acabado de otros electrodomésticos o muebles con los que pueden entrar en contacto.

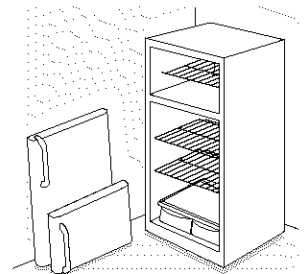
### PARA LA SEGURIDAD DE LOS NIÑOS

Destruya o recicle el cartón, las bolsas plásticas y cualquier material de embalaje externo inmediatamente después de desempacar el refrigerador. Los niños **nunca** deben utilizarlos para jugar. Los cartones cubiertos con alfombras, cubrecamas, sábanas plásticas o envoltura elástica pueden convertirse en cámaras herméticas y provocar asfixia rápidamente.

### ELIMINACIÓN CORRECTA DE SU REFRIGERADOR O CONGELADOR

#### Reisgo de encerramiento accidental para los niños

El encerramiento accidental y la asfixia de niños no son problemas del pasado. Los refrigeradores o congeladores desechados o abandonados siguen peligrosos, incluso si van a permanecer en un lugar "sólo por unos pocos días". Si usted va a deshacerse de un viejo refrigerador o congelador, siga las instrucciones que se indican a continuación para prevenir accidentes.



#### Antes de eliminar su viejo refrigerador o congelador:

- Quitele las puertas.
- Deje los anaqueles en su lugar para impedir que los niños pueden meterse fácilmente dentro de la unidad.
- Asegúrese de que un técnico deservicio calificado extraiga el líquido refrigerante.



## Instrucciones importantes de seguridad (continuación)

**ADVERTENCIA** Siga estas instrucciones para garantizar el funcionamiento correcto de los mecanismos de seguridad de este refrigerador.

### INFORMACIÓN ELÉCTRICA

- El refrigerador debe enchufarse en una toma de corriente independiente de corriente alterna únicamente y de 115 voltios, 60 Hz. Para su protección contra descargas eléctricas, el cable de alimentación del refrigerador tiene en enchufe de tres clavijas con conexión a tierra. Debe enchufarse directamente en un receptáculo debe estar instalado según los códigos y normativas locales. Consulte con un electricista calificado. **No utilice una extensión ni un adaptador.**
- Inmediatamente repare o reemplace cualquier cable de energía eléctrica que esté desgastado o dañado.
- Nunca tire bruscamente del cable de alimentación para desenchufar el refrigerador. Sujete el enchufe firmemente y jálelo para sacarlo del receptáculo, evitando dañar el cable de energía eléctrica.
- Para evitar descargas eléctricas, desenchufe el refrigerador antes de limpiarlo o cambiarle la bombilla.
- Las variaciones del 10% o más en el voltaje pueden afectar el buen funcionamiento de la unidad. Poner a funcionar el refrigerador con alimentación insuficiente puede dañar el compresor. Tal daño no está cubierto por su garantía.
- Para evitar que el refrigerador sea apagado accidentalmente, no lo enchufe en un toma controlada por un interruptor de pared ni tire del cable de alimentación.
- Evite conectar el refrigerador en un circuito de interruptor de avería por puesta a tierra.

**NOTA:** Al poner el control de temperatura en la posición "O", se apaga el compresor del refrigerador pero no se desconecta la corriente eléctrica que alimenta la bombilla y otros componentes eléctricos.



## Información sobre a garantía

### GARANTÍA COMPLETA DE UN AÑO PARA EL REFRIGERADOR

Dentro de un año a partir de la fecha de compra, cuando este refrigerador sea operado y mantenido de acuerdo con las instrucciones provistas en el Manual del Usuario, Sears reparará este refrigerado, gratuitamente, si tiene defectos de material o mano de obra.

### GARANTÍA COMPLETA DE CINCO AÑOS EN EL SISTEMA DE REFRIGERACIÓN SELLADO

Durante cinco años a partir de la fecha de compra, cuando este refrigerador sea operado y mantenido de acuerdo con las instrucciones indicadas en el Manual del Usuario, Sears reparará el sistema sellado (que se compone del refrigerante, tubería de conexión y motor del compresor), gratuitamente, si tiene defectos de material o mano de obra.

La garantía antes mencionada se aplica solamente a los refrigeradores que son usados para conservación de alimentos en hogares privados.

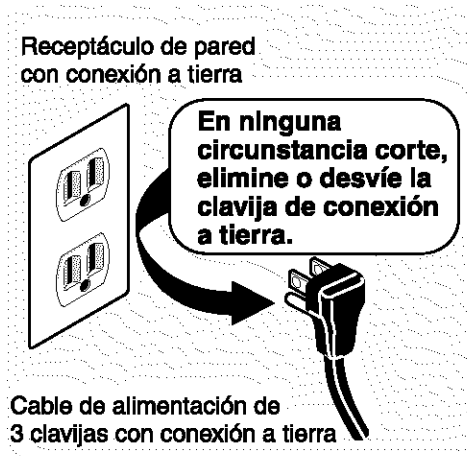
Esta garantía le otorga derechos específicos y también puede tener otros que varían de estado en estado.

Contacte el Centro De Servicio sears en los Estados Unidos mas proximo a usted para cualquier servicio de garantia. Refiera la ultima pagina de este manual.

Para informacion sobre garantias, por favor contacte la siguiente direccion:

**Sears, Roebuck and Co.**  
**Dept. 817WA**  
**Hoffman Estates, IL 60179**

ESPAÑOL





## Información sobre la garantía

# CANADÁ — GARANTÍA LIMITADA



## Refrigeradores

Sears Canadá Inc., garantiza que cada refrigerador *Kenmore* nuevo sea libre de defectos de material o fabricación. Sears hará lo siguiente, gratuito, en el caso un defecto:

| ¿Que incluye?                                                                 | ¿Durante cuánto tiempo se garantiza?<br>(Desde la fecha de compra) | Partes: A la opción de Sears, reparar o reemplazar una parte por: | Mano de obra: Instalar la parte reparada o la parte de reemplazo por: |
|-------------------------------------------------------------------------------|--------------------------------------------------------------------|-------------------------------------------------------------------|-----------------------------------------------------------------------|
| El compresor                                                                  | DIEZ (10) AÑOS                                                     | DIEZ (10) AÑOS                                                    | CINCO (5) AÑOS                                                        |
| El sistema sellado (consistiendo del refrigerante, evaporador, y condensador) | CINCO (5) AÑOS                                                     | CINCO (5) AÑOS                                                    | CINCO (5) AÑOS                                                        |
| Todas las otras partes y ajustes                                              | UN (1) AÑO                                                         | UN (1) AÑO                                                        | UN (1) AÑO                                                            |

### Responsabilidades Normales del Cliente

Las cosas siguientes, como no son defectos de fabricación, no son incluidas en la garantía, sino son la responsabilidad del cliente:

- 1) Daños al acabamiento después de la entrega.
- 2) Fuente de energía inadecuada, voltaje inadecuado, o cualquier defectos del sistema eléctrico de la casa o el aparato no conectado a un tomacorriente.
- 3) Reemplazo de ampolletas.
- 4) Daños causados por mover el aparato de su sitio de instalación original.
- 5) Servicio requerido como resultado de alteración, abuso, incendio, inundada, o desastres naturales.
- 6) Asegurarse de que circulación de aire adecuada sea disponible al sistema de refrigeración.
- 7) Cuidad y uso apropiados del artefacto, como se detalla en el Manual del Usuario; colocación de los controles apropiada.

Si se requiere algún servicio bajo ésta garantía, sencillamente llame al **1-800-4-MY-HOME<sup>SM</sup>** (1-800-469-4663).

Esta garantía es establecida en adición a cualquier garantía estatuida. La garantía arriba cubre los refrigeradores *Kenmore* vendidos y operados en el Canadá único y no aplica si el refrigerador se usa para propósitos no domésticos.

### Convenio de Mantenimiento Sears

Mantenga el valor de su refrigerador *Kenmore* con un Convenio de Mantenimiento Sears.

**SEARS CANADA INC. • Toronto, Canada • M5B 2B8**

ESPAÑOL



# Instalación

Este manual de uso y cuidado contiene instrucciones específicas para el funcionamiento de su unidad. Use el refrigerador sólo como se especifica en este manual de uso y cuidado. **Antes de encender el refrigerador, siga estos primeros pasos importantes.**

## UBICACIÓN

- Elija un lugar que esté cerca de una toma eléctrica con conexión a tierra. No utilice una extensión ni un adaptador.
- Si es posible, coloque el refrigerador en un lugar donde no reciba luz solar directa. Colóquelo lejos de la estufa, del lavavajillas automático y de cualquier otra fuente de calor.
- El refrigerador debe instalarse en un piso que tenga la superficie nivelada y que resista el peso del refrigerador completamente cargado.
- Tenga en cuenta la disponibilidad de suministro de agua en aquellos modelos que incluyen un fabricante automático de hielo.

## INSTALACIÓN

- No instale el refrigerador en un lugar con temperatura que pueda ser inferior a los 13° C (55° F) o superior a los 43° C (110° F). A temperaturas extremadas el compresor no podrá mantener las temperaturas adecuadas dentro del refrigerador.

**PRECAUCIÓN** No bloquee la rejilla de la base ubicada en la parte delantera inferior del refrigerador. La circulación suficiente de aire es esencial para el funcionamiento correcto del refrigerador.

## Espacios libres para la instalación

- Deje los espacios libres siguientes para facilitar la circulación de aire adecuada durante la instalación y para las conexiones ----- eléctricas de fontanería:  
Lados y parte superior ---- 3/8"  
Parte trasera ----- 1"

**NOTA:** Si observa bobinas o tuberías negras en la parte posterior del refrigerador. (condensador enfriado por aire), deje un espacio de 3 pulg. En la parte superior del refrigerador.

## APERTURA DE PUERTAS

**NOTA:** Si su refrigeradora está ubicada de manera que el lado de la bisagra de la puerta se encuentra contra una pared, deberá dejar un espacio adicional para que la puerta pueda abrirse más.

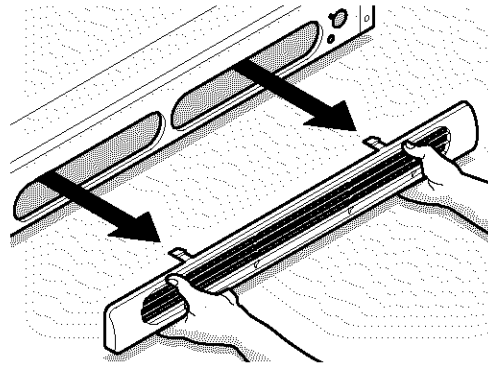
El refrigerador debe estar colocado de manera tal que permita el acceso fácil a un mostrador en el momento de sacar los alimentos. Para lograr esto, se puede invertir la dirección de apertura de las puertas. Lea la sección denominada Extracción e inversión de puertas en la página 26.

## NIVELACIÓN

Las cuatro esquinas del refrigerador deben apoyarse firmemente sobre piso estable. El refrigerador está equipado con ruedas delanteras ajustables que permiten su nivelación.

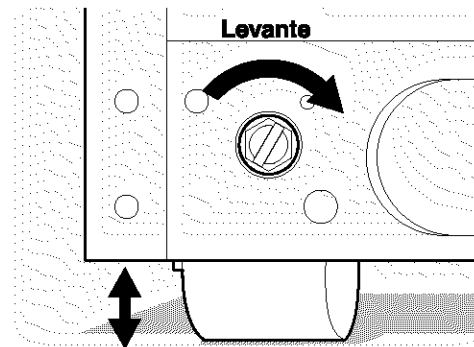
### Para nivelar el refrigerador:

1. Quite la rejilla de la base.



2. Utilice un destornillador plano o una llave de cubo de 9 mm (3/8 de pulg.) para ajustar las ruedas delanteras.

**NOTA:** Levante la parte delantera del refrigerador lo suficiente para permitir que las puertas cierren sin dificultad al abrirlas parcialmente. El refrigerador debe tener una inclinación de 6,4 a 12 mm (¼ a ½ pulg.) en sentido de adelante hacia atrás. Luego nivélelo de lado



ESPAÑOL





## Instalación - Conexión del fabricante de hielo opcional al suministro de agua

**⚠ ADVERTENCIA** Para evitar descargas eléctricas que pudieran causar la muerte o graves lesiones a personas, desconecte el refrigerador de la fuente de alimentación eléctrica antes de conectar la tubería de suministro de agua en el refrigerador.

**⚠ PRECAUCIÓN** Para evitar daños a la propiedad:

- Se recomienda utilizar tubería de cobre para la tubería de suministro de agua. No es recomendable utilizar tuberías plásticas de 6,4 mm (¼ de pulg.) para el suministro de agua porque aumentan significativamente el riesgo de filtraciones. El fabricante no se hace responsable de cualquier daño causado por el uso de tubería plástica para la tubería de suministro.
- NO instale la tubería de suministro de agua en áreas donde la temperatura puede ser inferior al punto de congelación.
- Los químicos de un sistema suavizador que no funcione correctamente pueden dañar el fabricante de hielo. Si el fabricante de hielo está conectado a una fuente de agua suavizada, asegúrese de que al sistema suavizador se le dé mantenimiento y que funcione correctamente.

**IMPORTANTE:** Asegúrese de que las conexiones de la tubería de suministro de agua cumplan con todas las normativas locales de plomería.

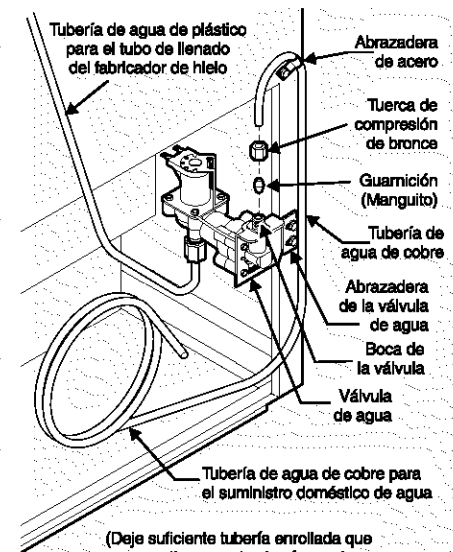
### Para instalar la tubería de suministro de agua, usted necesitará:

- **Herramientas básicas:** llave ajustable, destornillador plano y destornillador con punta Phillips™.
- Acceso a una tubería de suministro doméstico de agua fría con una presión de agua entre 1,4 y 8,3 barios (20 a 120 lb/pulg<sup>2</sup>).
- Una línea de suministro de agua de tubo de cobre con un D.E. de 6,4 mm o una línea de agua trenzada. Para determinar la longitud necesaria de la tubería de cobre, mida la distancia entre la válvula de entrada del fabricante de hielo ubicada, en la parte posterior del refrigerador, y la tubería de agua fría. Al resultado súmele 2,1 metros (7 pies) aproximadamente para que quede espacio libre que permita mover hacia afuera el refrigerador para hacer limpieza (como se muestra).
- Una válvula de apagado para conectar la tubería de suministro de agua al sistema de suministro doméstico de agua. NO utilice una válvula de apagado tipo autoperforante.
- Una tuerca de compresión y guarnición (manguito) para conectar la tubería de suministro de agua a la válvula de entrada del fabricante de hielo.

**NOTA:** Es posible adquirir adicionalmente un juego para línea de agua a través de Sears o bien, en tiendas especializadas.

### Para conectar la tubería de suministro de agua a la válvula de entrada del fabricante de hielo

1. Desconecte el refrigerador de la fuente de alimentación eléctrica.
2. Coloque el extremo de la tubería de suministro de agua dentro del fregadero o una cubeta. Abra el suministro de agua y deje correr agua por la tubería de suministro hasta que el agua salga limpia. Cierre el suministro de agua en la válvula de apagado.
3. Desenrosque la tapa plástica de la boca de la válvula de agua. Deseche la tapa.
4. Deslice la tuerca de compresión de bronce, seguida de la guarnición (manguito), en la tubería de suministro de agua, como se muestra.
5. Introduzca la tubería de suministro de agua en la boca de la válvula de agua hasta el punto máximo permitido (6,4 mm o ¼ de pulg.). Deslice la guarnición (manguito) dentro de la boca de la válvula y enrosque manualmente la tuerca de compresión dentro de la válvula. Con una llave, enrósqueela una media vuelta más. NO la enrosque demasiado.
6. Utilice una abrazadera de acero y un tornillo para asegurar la tubería de suministro de agua en el panel posterior del refrigerador, como se muestra.
7. Enrolle el exceso de la tubería de suministro de agua (aproximadamente 2½ vueltas) detrás del refrigerador, como se muestra en la figura 1, y arregle la tubería enrollada de manera tal que no vibre o se desgaste por el roce con otra superficie.
8. Abra el suministro de agua en la válvula de apagado y apriete cualquier conexión que filtre agua.
9. Reconecte el refrigerador a la fuente de alimentación eléctrica.
10. Para encender el fabricante de hielo, baje el brazo metálico indicador (verifique la posición de encendido/ apagado (ON/OFF) del brazo en la cubierta delantera del fabricante de hielo).



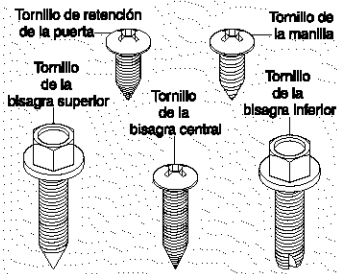
ESPAÑOL

**IMPORTANTE:** El fabricante de hielo tarda aproximadamente 24 horas para comenzar a producir hielo. El aire que circula en las tuberías nuevas puede hacer que el fabricante de hielo inicie dos o tres ciclos antes de fabricar una bandeja completa de hielo. Las tuberías nuevas pueden provocar que el hielo tenga cierta decoloración o sabor extraño. Deseche todo el hielo fabricado durante las primeras 24 horas.

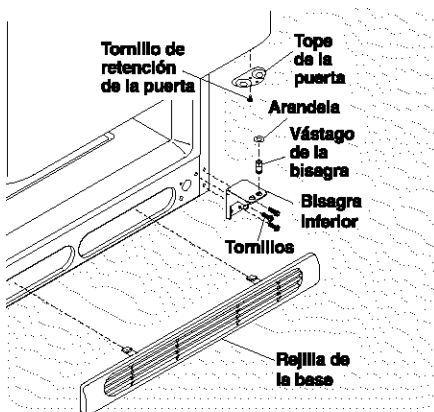
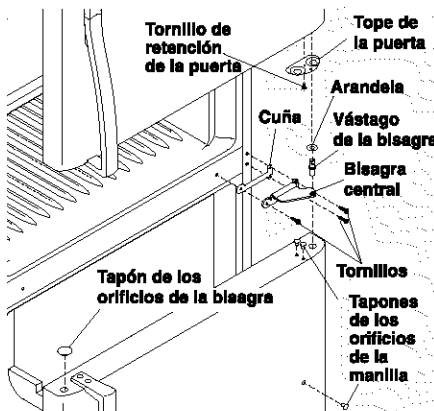
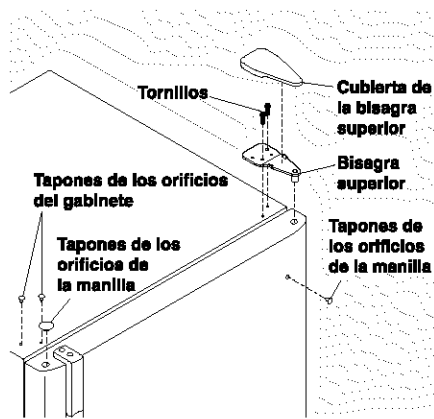
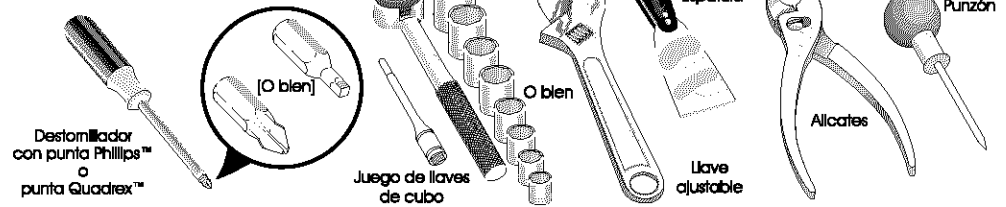




# Instrucciones para la extracción e inversión de puertas



## Herramientas necesarias:



## INSTRUCCIONES PARA LA EXTRACCIÓN E INVERSIÓN DE PUERTAS:

**NOTA:** La dirección de apertura de las puertas del refrigerador (giro de puertas) se puede invertir, de izquierda a derecha o de derecha a izquierda. Para hacerlo, es necesario mover las bisagras de las puertas de un lado a otro. Sólo una persona calificada debe invertir el giro de las puertas.

**IMPORTANTE:** Antes de empezar, coloque el control de temperatura del refrigerador en la posición de apagado (0) y retire el cable de alimentación eléctrica de la toma de la pared. Saque todos los alimentos que estén en los anaqueles de las puertas.

1. Quite la rejilla de la base y la cubierta de la bisagra superior.
2. Retire la bisagra superior con una válvula hexagonal de 3/8" y levante la puerta de la congeladora retirándola de la clavija de la bisagra del centro. Coloque la puerta a un lado.
3. Desatornille el vástago de la bisagra central con una llave ajustable y póngalo en un lugar seguro para utilizarlo luego en la reinstalación. Asegúrese de que la arandela plástica permanezca en el vástago de la bisagra.
4. Levante la puerta del refrigerador, sacándola de la bisagra inferior, y colóquela a un lado.
5. Retire la bisagra central y coloque un espaciador y, a continuación, quite el tornillo interno y desafloje los dos tornillos exteriores lo suficiente para permitir que la bisagra y el espaciador se deslicen hacia fuera. Vuelva a apretar los tornillos.
6. Afloje los dos tornillos externos en el otro lado del refrigerador; quite el tornillo interno e instale la bisagra central.
7. Retire la bisagra inferior con una válvula hexagonal de 3/8". Coloque de nuevo los dos tornillos externos en los orificios y apriételes. Los tornillos internos se colocarán en el otro lado, como se describe en el paso 8.
8. Quite los dos tornillos externos del otro lado del refrigerador e instale la bisagra inferior. Coloque y apriete los tornillos que retiró en el paso 7.
9. Desatornille el vástago de la bisagra inferior con una llave ajustable. Cambie el vástago de la bisagra al otro orificio de la bisagra y apriétele con una llave ajustable.
10. Invierta las manillas de la puerta (vea las instrucciones en la página siguiente).
11. Mueva los topes de las puertas del congelador y del refrigerador hacia el otro lado. Antes de comenzar a atornillar, deberá agujerear la espuma con un punzón.
12. Coloque la puerta del refrigerador en el vástago de la bisagra inferior y atornille el vástago de la bisagra central a través de la bisagra central, ubicada en la parte superior de la puerta. Cierre la puerta del equipo de refrigeración para alinear el agujero.
13. Apriete el vástago de la bisagra central con una llave ajustable.
14. Retire los tapones de los agujeros de la bisagra y la caja y colóquelos en el lado opuesto.
15. Coloque la puerta del congelador sobre el vástago de la bisagra central.
16. Cierre la puerta del refrigerador. Mientras un/a ayudante eleva la puerta desde el lado opuesto de la misma, apriete los tornillos de instalación de la bisagra superior.
17. Vuelva a colocar la rejilla de la base y la cubierta de la bisagra superior.
18. Enchufe el cable de alimentación eléctrica y coloque el control de temperatura del refrigerador en la posición central. Ajuste la posición según sea necesario.

ESPAÑOL





## Instrucciones para la extracción e inversión de puertas (continuación)

**NOTA:** Ciertos modelos tienen manillas “tipo hendidura” empotradas en los costados de la puerta. En estos modelos, solamente es necesario invertir las bisagras.

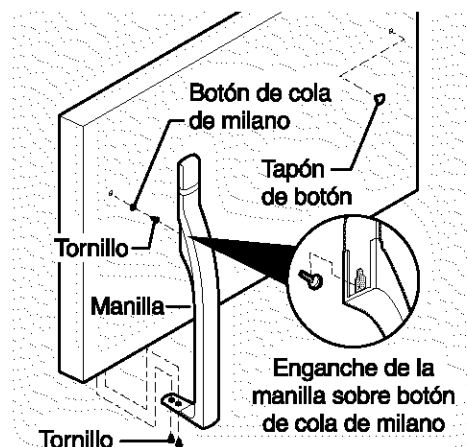
### PARA QUITAR LA MANILLA DEL CONGELADOR:

(Es más fácil invertir las manijas cuando las puertas no están puestas.)

1. Quite los dos tornillos que sujetan la manilla en la parte inferior de la puerta del congelador.
2. Gire la parte inferior de la manilla hacia afuera y deslice la manilla hacia arriba y afuera del botón de cola de milano.
3. Quite el tornillo y el botón de cola de milano e instálelos en el otro lado, moviendo los tapones de los orificios desde su posición inicial hacia el otro lado.

### PARA COLOCAR LA MANILLA DEL CONGELADOR:

1. Comience con la manilla separada de la puerta. Coloque la parte superior de la manilla sobre el botón de cola de milano y luego gírela hasta colocarla en posición vertical. Tire hacia abajo para que la manilla encaje en su lugar.
2. Fije la parte inferior de la manilla con los dos tornillos que quitó anteriormente.



### EXTRACCIÓN DE LA BANDA DECORATIVA

(SÓLO EN MODELOS CON BANDA DECORATIVA LARGA)

En ciertos modelos, la puerta del refrigerador tiene una banda decorativa larga que se extiende desde la parte inferior de la manilla hasta la parte inferior de la puerta. La parte superior de la banda encaja debajo de la base de la manilla. En la mitad de la banda hay un “enganche adhesivo”. La parte inferior de la banda decorativa se mantiene fija en su lugar mediante un enganche adhesivo o un enganche de dos clavijas que se introducen en un orificio en la parte delantera de la puerta.

### PARA QUITAR LA BANDA DECORATIVA:

1. Para quitar la banda decorativa, vaya tirando de ella cuidadosamente en diferentes secciones hasta desprenderla totalmente de la puerta.
2. Una vez desprendida la banda decorativa, deslícela hacia abajo para separarla de la base de la manilla.

**NOTA:** En los modelos con banda decorativa corta para manilla, quítela tirando de ella directamente hacia abajo para separarla del soporte de la manilla.

### PARA QUITAR LA MANILLA DEL REFRIGERADOR:

(Es más fácil invertir las manijas cuando las puertas no están puestas.)

1. Quite los dos tornillos que sujetan la manilla en la parte superior de la puerta del refrigerador.
2. Gire la parte superior de la manilla hacia afuera y deslice la manilla hacia abajo y afuera del botón de cola de milano.
3. Quite el tornillo y el botón de cola de milano e instálelos en el otro lado, moviendo los tapones de los orificios desde su posición inicial hacia el otro lado.

### PARA COLOCAR LA MANILLA DEL REFRIGERADOR:

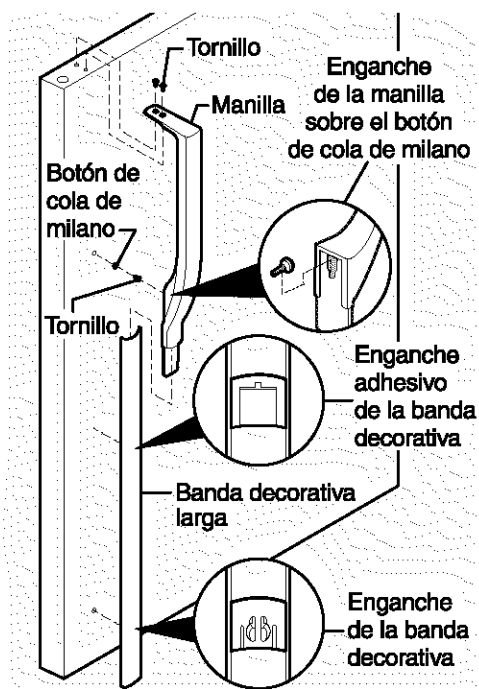
1. Comience con la manilla separada de la puerta. Coloque la parte superior de la manilla sobre el botón de cola de milano y luego gírela hasta colocarla en posición vertical. Tire hacia arriba para que la manilla encaje en su lugar.
2. Fije la parte superior de la manilla con tornillos.

### PARA COLOCAR LA BANDA DECORATIVA:

1. Deslice los dos enganches de la banda decorativa hasta separarlos de la banda.
2. Coloque los nuevos enganches de la banda decorativa que se incluyen en el paquete de información de la unidad.

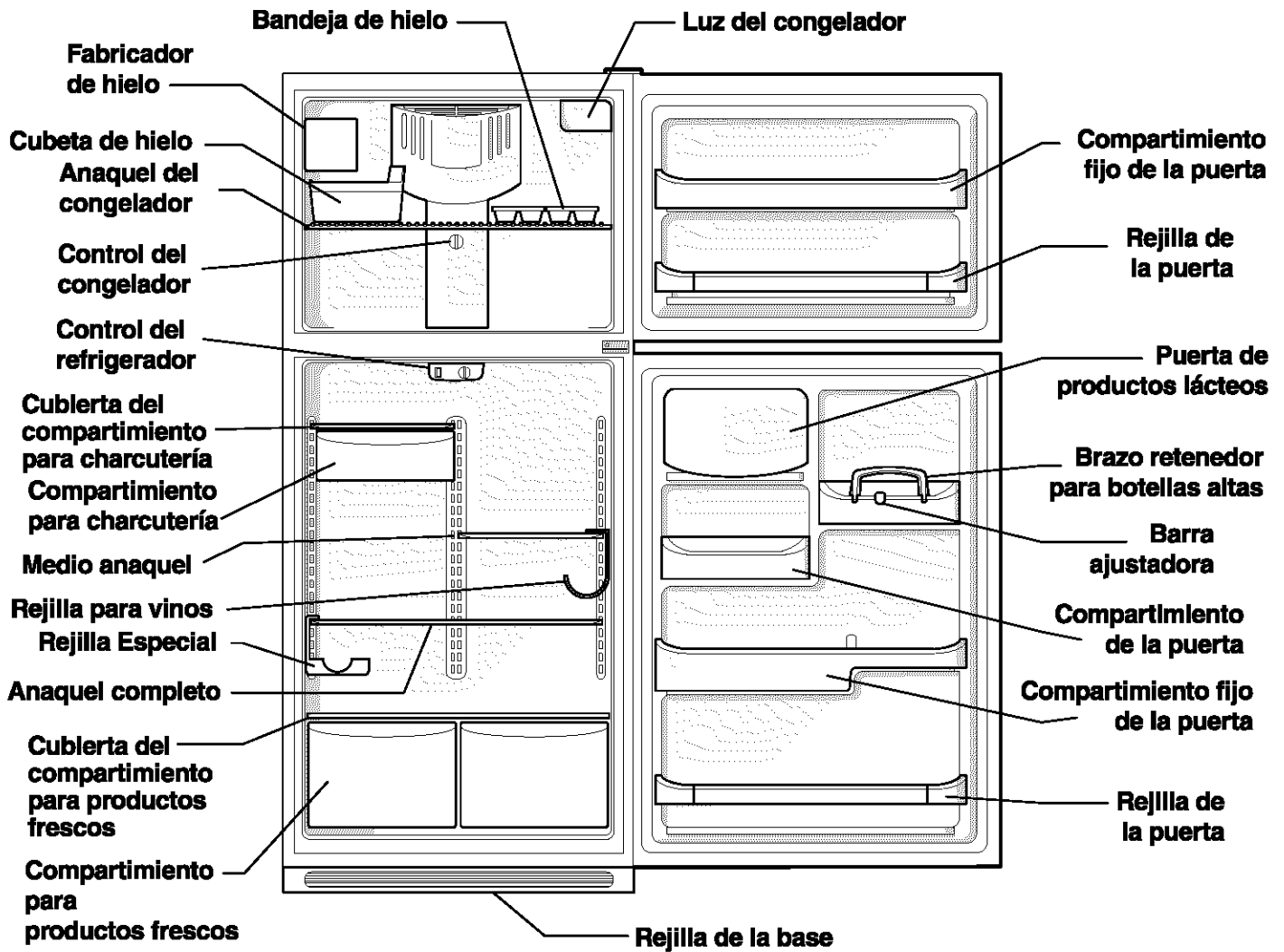
**NOTA:** Para quitar y colocar el enganche de la banda decorativa, deslícelo sobre las áreas con forma de rosquilla.

3. Para colocar la banda decorativa en la manilla, deslícela sobre de la base de la manilla. Alinee cuidadosamente la banda decorativa y haga presión hacia abajo en los puntos en que se encuentran los enganches de la banda decorativa.
4. Coloque el tapón del orificio en el otro lado. Utilice alcohol de frotar para eliminar cualquier residuo adhesivo de los puntos anteriores de enganche de la banda decorativa.





## Características a la vista



*Las características pueden variar según el modelo*



## Controles de temperatura

### PERÍODO DE ENFRIAMIENTO

Para garantizar el almacenamiento correcto de los alimentos, deje funcionar el refrigerador con las puertas cerradas por un tiempo mínimo de 8 a 12 horas antes de colocar alimentos en el interior.

### CONTROLES DEL REFRIGERADOR Y EL CONGELADOR

**NOTA:** Al ajustar los controles por primera vez o al cambiar la posición, espere 24 horas para que la temperatura se establezca antes de hacer otros cambios.

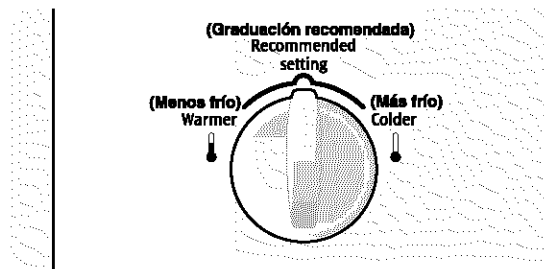
### AJUSTE DE LA TEMPERATURA

**NOTA:** Cuando conecte el refrigerador por primera vez, coloque los controles del refrigerador y la congeladora en la posición ▼ que es la posición inicial que se recomienda. Transcurridas 24 horas, haga los ajustes de los controles que sean necesarios.

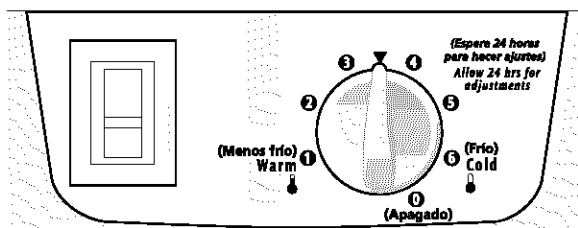
- **Ajuste gradualmente el control de la temperatura:** mueva la perilla poco a poco, hasta lograr que la temperatura se estabilice.
- Para obtener una temperatura más fría, gire la perilla hacia **Cold** (frío).
- Para obtener una temperatura menos fría, gire la perilla hacia **Warm** (menos frío).

Al ajustar el control del refrigerador, cambiará la temperatura en ambos compartimientos. Por ejemplo, si el control del refrigerador se coloca en un valor más frío, puede ser necesario seleccionar un valor menos frío en el control del congelador. Al ajustar el control del congelador, cambiará solamente la temperatura del congelador.

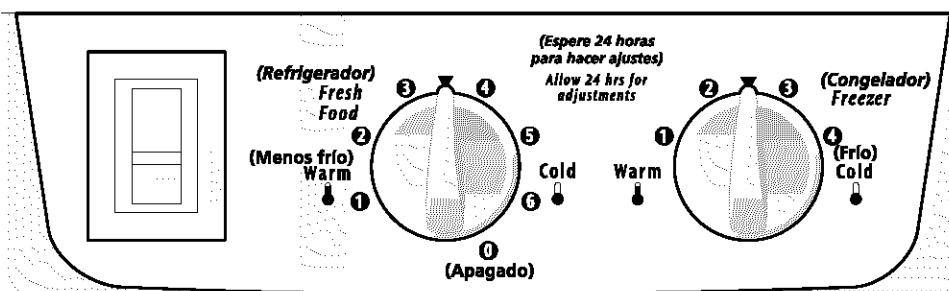
Para mantener las temperaturas, un ventilador hace circular el aire en los compartimientos del refrigerador y del congelador. Para lograr una buena circulación, no bloquee con alimentos las salidas de aire frío.



Control del congelador (en ciertos modelos)



Control del refrigerador (en ciertos modelos)



Controles del refrigerador y del congelador (en ciertos modelos)

**IMPORTANTE:** Al colocar el control de temperatura en la posición "0" (apagado), se apaga el compresor del refrigerador pero no se desconecta la corriente eléctrica que alimenta la bombilla y otros componentes eléctricos.

| GUÍA PARA EL AJUSTE DE TEMPERATURA                                    |                                                                             |
|-----------------------------------------------------------------------|-----------------------------------------------------------------------------|
| Si el compartimiento del refrigerador no está lo suficientemente frío | Gire ligeramente el control del refrigerador hacia <b>Cold</b> (frío)       |
| Si el compartimiento del refrigerador está excesivamente frío         | Gire ligeramente el control del refrigerador hacia <b>Warm</b> (menos frío) |
| Si el compartimiento del congelador no está lo suficientemente frío   | Gire ligeramente el control del congelador hacia <b>Colder</b> (más frío)   |
| Si el compartimiento del congelador está excesivamente frío           | Gire ligeramente el control del congelador hacia <b>Warmer</b> (menos frío) |
| Para apagar el refrigerador                                           | Gire el control del refrigerador hacia <b>0</b> (apagado)                   |



## Vista interior

**⚠ PRECAUCIÓN** Para evitar lesiones personales o daños a la propiedad, maneje los compartimientos de vidrio endurecido cuidadosamente. Estos pueden romperse si se rasguñan, rayan o si sufren cambios repentinos de temperatura.

### AJUSTE DE ANAQUELES

Los anaqueles del refrigerador se pueden ajustar fácilmente para satisfacer las necesidades individuales. Antes de ajustar los anaqueles, saque todos los alimentos.

#### Para ajustar los anaqueles corredizos:

- 1 Para quitar el anaquel, tire de él hasta que se detenga.
- 2 Levante el borde delantero hacia arriba y tire de él.

Siga esta mismo procedimiento a la inversa para colocar el anaquel en cualquier otro par de rieles.

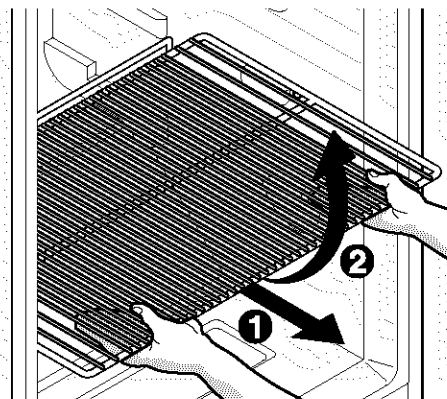
#### Para ajustar los anaqueles voladizos:

**NOTA:** Los anaqueles voladizos se apoyan en la parte posterior del refrigerador. Pueden ser de vidrio o metal.

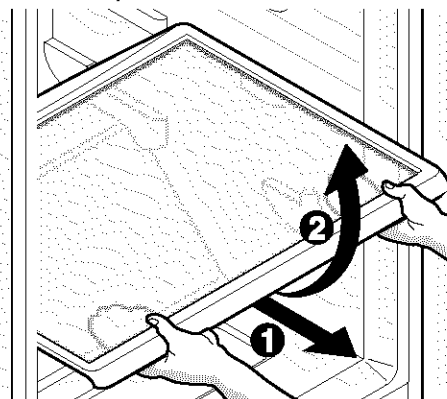
- 1 Levante el borde delantero hacia arriba.
- 2 Saque el anaquel hacia afuera.

Para colocar el anaquel, introduzca los ganchos que se encuentran en la parte posterior del anaquel en el soporte vertical en la pared. Baje el anaquel hasta las ranuras deseadas y fíjelo en posición.

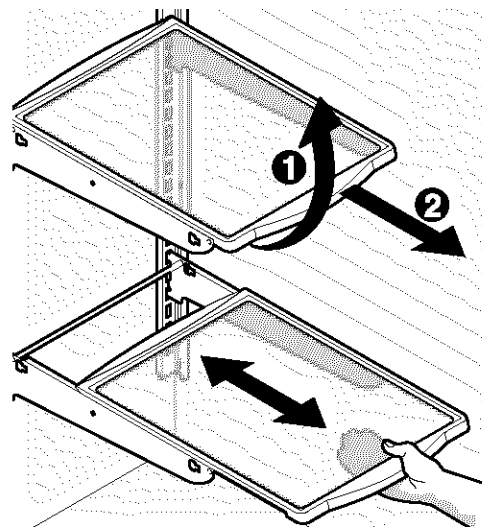
Los anaqueles de vidrio *SpillProof™* (en ciertos modelos) recogen y retienen los derrames accidentales. En algunos modelos, los anaqueles *SpillProof™* se deslizan hacia afuera, permitiendo un mayor acceso a los alimentos y facilidad de limpieza. Los anaqueles se deslizan hacia afuera a pesar de los soportes voladizos. Sólo tire de la parte delantera del anaquel hacia adelante. El anaquel puede extenderse hasta el límite que permita el tope, pero no se puede sacar del soporte voladizo.



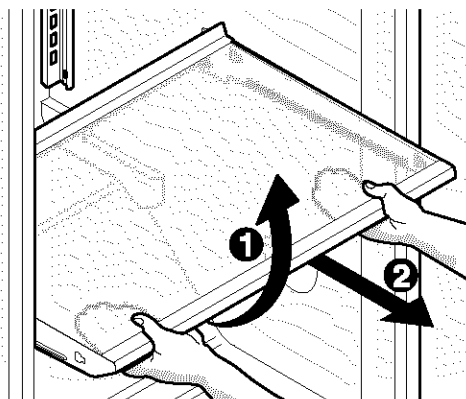
Anaquele corredizo de metal



Anaquele corredizo de vidrio



Anaquele voladizo de vidrio — Fijo y corredizo



Anaquele voladizo de vidrio de ancho máximo



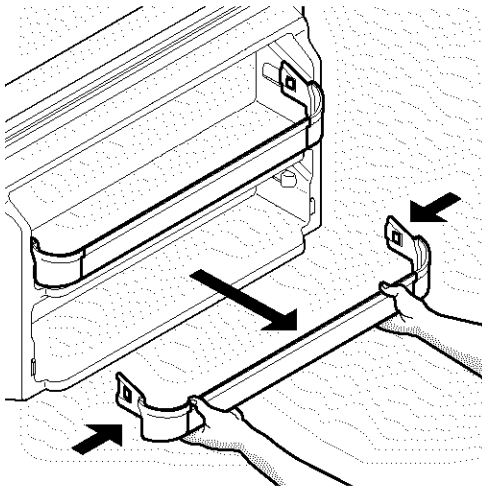
## Vista interior (continuación)

### ALMACENAMIENTO EN LAS PUERTAS

Los compartimientos, anaqueles y rejillas de las puertas están diseñados para el fácil almacenamiento de tarros, botellas y latas. Permiten el acceso rápido a artículos de uso frecuente.

Ciertos modelos tienen rejillas o compartimientos en las puertas con espacio suficiente para recipientes plásticos de bebidas de 3,8 litros (1 galón) de capacidad, además de tarros y otros recipientes de tamaño económico. Algunas rejillas ajustables brindan mayor capacidad de almacenamiento.

El compartimiento de los productos lácteos, que es menos frío que la sección general de almacenamiento de alimentos, está diseñado para almacenar quesos, cremas para untar o mantequilla por período cortos.



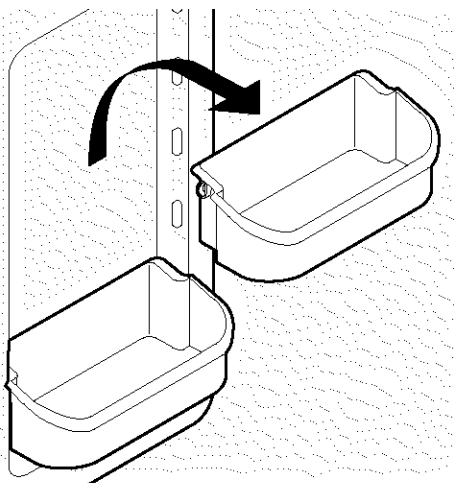
Rejilla de la puerta

### COMPARTIMIENTOS AJUSTABLES DE LA PUERTA

Ciertos modelos tienen compartimientos ajustables en la puerta que pueden moverse de acuerdo a las necesidades individuales.

*Para mover los compartimientos de la puerta*

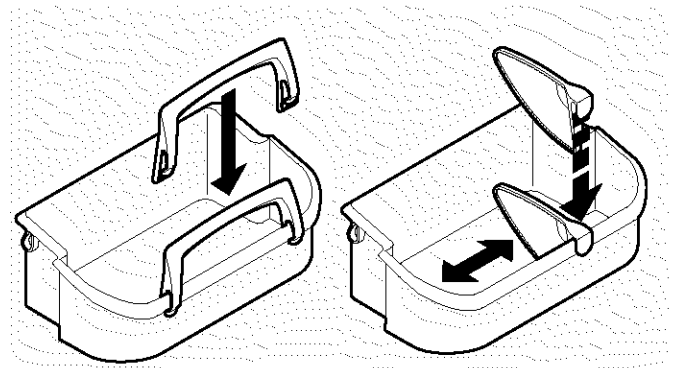
1. Levante el compartimiento hacia arriba.
2. Saque el compartimiento.
3. Coloque el compartimiento en la posición deseada.
4. Baje el compartimiento hasta que encaje bien en su lugar.



Compartimiento ajustable de la puerta

### BRAZO RETENEDOR PARA BOTELLAS ALTAS (EN CIERTOS MODELOS)

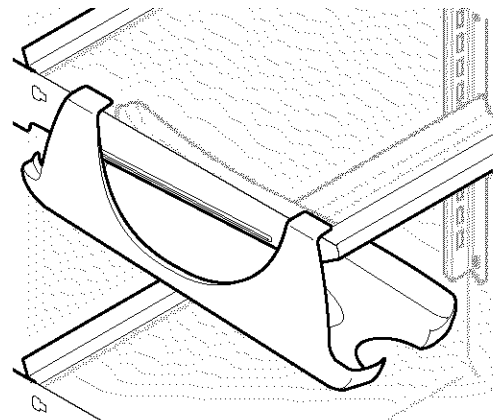
El brazo retenedor para botellas altas evita que se caigan los recipientes altos que se encuentran en el compartimiento al abrir o cerrar la puerta del refrigerador. Para colocarlo, sujete el brazo retenedor por la parte superior y deslícelo sobre la pared externa del compartimiento, como se muestra en el dibujo. El brazo retenedor funciona mejor con una barra ajustadora de compartimiento.



Brazo retenedor para botellas altas (izquierda) y barra ajustadora de compartimiento (derecha)

### REJILLA ESPECIAL (EN CIERTOS MODELOS)

El innovador diseño de la Rejilla Especial le permite guardar un empaque con seis de latas de 12 onz., una botella de vino, una botella de dos litros o una caja de huevos. La Rejilla Especial se encuentra al lado izquierdo de su refrigeradora. Para instalarlo, sólo deslice la Rejilla Especial sobre un anaquel tal como se indica en el gráfico.



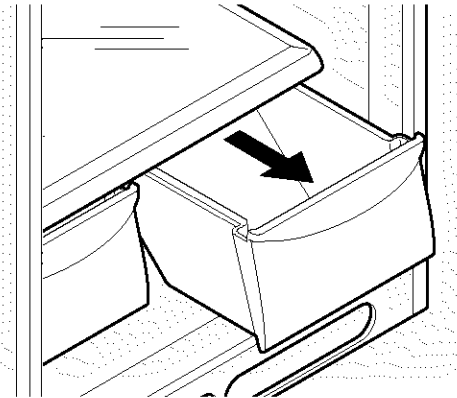
Rejilla Especial



## Vista interior (continuación)

### COMPARTIMIENTO PARA PRODUCTOS FRESCOS (EN CIERTOS MODELOS)

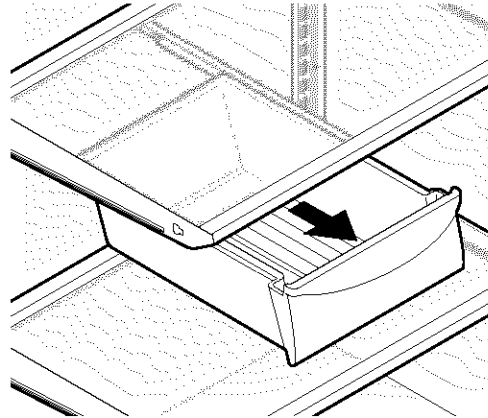
Los compartimientos para productos frescos, ubicados debajo del anaquel inferior del refrigerador, están diseñados para almacenar frutas, vegetales y otros productos frescos. Lave los alimentos en agua limpia y elimine el exceso de agua antes de colocarlos en los compartimientos para productos frescos. Se recomienda envolver los alimentos que tengan un olor penetrante o mucha humedad antes de almacenarlos.



Compartimiento para productos frescos

### COMPARTIMIENTO PARA CHARCUTERÍA (EN CIERTOS MODELOS)

Ciertos modelos están equipados con un compartimiento para charcutería para guardar fiambres de carne, cremas para untar, quesos y otros artículos de charcutería.

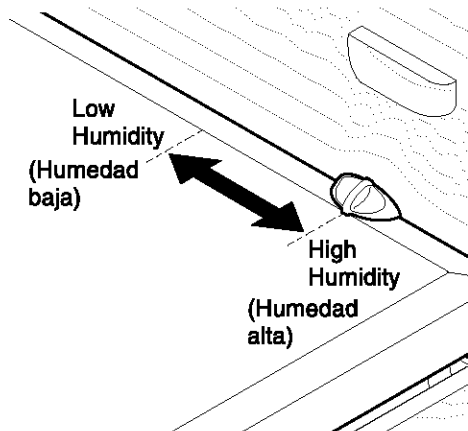


Compartimiento para charcutería

### CONTROL DE HUMEDAD (EN CIERTOS MODELOS)

El control de humedad, incluido en ciertos modelos con compartimientos para productos frescos, permite ajustar la humedad dentro del mismo. Con esta función se prolonga la frescura de los vegetales que se conservan mejor en ambientes de humedad alta.

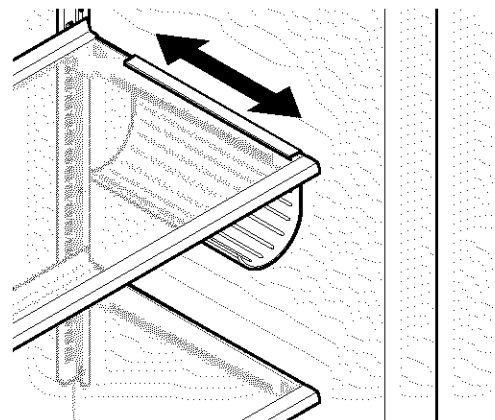
**NOTA:** Los vegetales de hojas verdes se conservan mejor cuando el control de humedad está en la posición **High Humidity** (humedad alta), o en un compartimiento sin control de humedad. Así se reduce al mínimo el flujo de aire entrante y se conserva el máximo contenido de humedad.



Control de humedad del compartimiento para productos frescos

### REJILLA PARA VINOS (EN CIERTOS MODELOS)

La rejilla para vinos permite almacenar botellas de vino o botellas plásticas de dos litros de jugo o gaseosa. Para instalarla, deslice la rejilla para vinos sobre el anaquel con la curva apuntando hacia adentro. Para quitarla, deslice la rejilla hacia afuera. Se puede instalar en cualquier extremo del anaquel.



Rejilla para vinos



## Fabricación de hielo

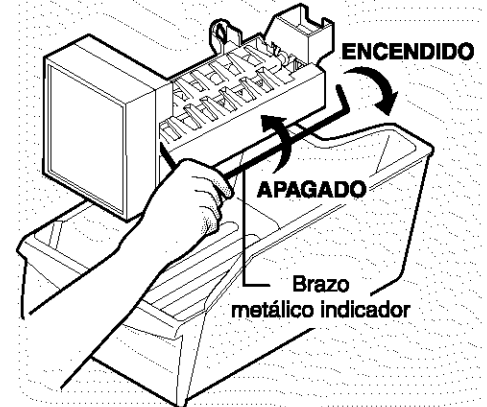
Si su refrigerador tiene un fabricante automático de hielo, éste suministrará hielo suficiente para el consumo normal. Sin embargo, durante el inicio de funcionamiento del refrigerador, no se producirá hielo en las primeras 24 horas de funcionamiento. Los fabricantes automáticos de hielo son accesorios opcionales que pueden ser instalados en la mayoría de los modelos en cualquier momento. Póngase en contacto con su distribuidor local para obtener mayor información.

### ENCENDIDO DEL FABRICADOR DE HIELO

Una vez terminada la conexión de tuberías, se debe abrir la válvula de suministro de agua. Coloque el recipiente de hielo debajo del fabricante de hielo, empujándolo tan profundamente como sea posible. Baje el brazo metálico indicador para colocarlo "abajo" o en la posición ON (encendido). Las conexiones de tuberías nuevas pueden provocar que la primera producción de cubos de hielo tenga una decoloración o sabor extraño. Deseche los primeros cubos hasta que los cubos producidos no presenten decoloración ni sabor.

### APAGADO DEL FABRICADOR DE HIELO

Para apagar el fabricante de hielo, levante el brazo metálico indicador hasta que emita un clic y encaje "arriba" o en la posición OFF (apagado). El fabricante de hielo también se apaga automáticamente cuando el recipiente de hielo está lleno. Si el modelo de su refrigerador tiene un anaquel ajustable del congelador, colóquelo en la posición más baja, de manera que el brazo metálico indicador entre en contacto con el hielo cuando el recipiente esté lleno.



Fabricador de hielo

**PRECAUCIÓN** Los químicos de un sistema suavizador que no funcione correctamente pueden dañar el fabricante de hielo. Si el fabricante de hielo está conectado a una fuente de agua suavizada, asegúrese de que al sistema suavizador se le dé mantenimiento y que funcione correctamente.

### CONSEJOS SOBRE EL FABRICADOR DE HIELO

- Los cubos de hielo que quedan almacenados por mucho tiempo pueden adquirir sabor extraño. Vacíe el recipiente de hielo y asegúrese de que el brazo metálico indicador está "abajo" o en la posición ON (encendido). Entonces el fabricante de hielo producirá más hielo.
- De vez en cuando sacuda el recipiente de hielo para mantener separados los cubos de hielo.
- Mantenga el brazo metálico indicador "arriba" o en su posición OFF (apagado) hasta que el refrigerador sea conectado al suministro de agua y cada vez que el suministro de agua esté cerrado.
- Los siguientes sonidos son normales durante el funcionamiento del fabricante de hielo:
  - Motor encendido
  - Hielo que se desprende de la bandeja
  - Hielo que cae dentro del compartimento de almacenamiento de hielo
  - Agua que corre
  - Válvula de agua que se cierra o se abre

**NOTA:** Para obtener mayor información sobre estas funciones, lea la sección *Sonidos que indican funcionamiento normal* en la página 35.

**PRECAUCIÓN** No coloque el recipiente de hielo en el lavavajillas automático.

- Lave el recipiente de hielo con agua tibia y detergente suave. Enjuague bien y séquelo.
- Apague el fabricante de hielo mientras limpia el congelador y durante las vacaciones.
- Si el fabricante de hielo va a permanecer apagado durante un largo período, cierre la válvula de suministro de agua.



## Almacenamiento de alimentos e ideas para el ahorro de energía

### IDEAS PARA EL ALMACENAMIENTO DE ALIMENTOS

#### Almacenamiento de alimentos frescos

- El compartimiento de alimentos frescos debe mantenerse entre 1,1° C (34° F) y 4,4° C (40° F) con una temperatura óptima de 2,8° C (37° F).
- Evite abarrotar los anaqueles del refrigerador, ya que esto reduce la circulación de aire alrededor de los alimentos y provoca enfriamiento irregular.

#### Frutas y vegetales

- El almacenamiento en los compartimientos para productos frescos encierra la humedad para ayudar a conservar la calidad de las frutas y vegetales durante más tiempo.

#### Carnes

- Se debe envolver de manera segura la carne roja y de aves cruda para evitar el derrame de líquidos y la contaminación de otros alimentos o superficies.

#### Almacenamiento de alimentos congelados

- El compartimiento del congelador debe mantenerse a una temperatura igual o menor a -17,8° C (0° F).
- El congelador funciona más eficientemente cuando tiene por lo menos 2/3 de su capacidad llena.

#### Empacado de alimentos para su congelación

- Para reducir la deshidratación y el deterioro de la calidad, utilice papel de aluminio, envoltura para congelar, bolsas para congelar o recipiente herméticos. Extraiga todo el aire que sea posible de los empaques y séllelos bien. El aire que queda encerrado puede secar los alimentos, cambiarles el color y darles un sabor desagradable (quemadura por congelación).
- Envuelva bien las carnes rojas y de aves frescas con envoltura para congelar antes de congelarlas.
- No congele de nuevo la carne que ya ha sido completamente descongelada.

#### Carga del congelador

- Evite colocar demasiados alimentos calientes en el congelador al mismo tiempo, ya que eso provoca que el congelador se sobrecargue, se reduce la velocidad de congelación y puede aumentar la temperatura de los alimentos ya congelados.
- Deje espacio entre los empaques, de manera tal que el aire frío pueda circular libremente y los alimentos se congelen tan rápidamente como sea posible.
- Evite almacenar en los anaqueles de la puerta del congelador alimentos que sean difíciles de congelar, tales como helado y jugo de naranja. Estos alimentos se conservan mejor en el interior del congelador donde la variación de la temperatura es menor.

### IDEAS PARA EL AHORRO DE ENERGÍA

- Sitúe el refrigerador en la parte más fresca de la habitación, lejos de la luz solar directa y de conductos de calefacción o registros. No sitúe el refrigerador junto a electrodomésticos que generen calor tales como estufas, hornos o lavavajillas automáticos. De no ser posible, la colocación de una sección de gabinetes o una capa de aislamiento adicional entre los dos electrodomésticos permitirá el funcionamiento más eficiente del refrigerador.
- Nivele el refrigerador para que las puertas cierren bien.
- Consulte este manual de uso y cuidado para verificar la graduación recomendada del control de temperatura.
- La limpieza periódica del condensador permitirá que el refrigerador funcione más eficientemente. Vea la tabla de cuidado y limpieza en la página 36.
- No abarrote el refrigerador ni bloquee las salidas de aire frío, ya que esto provoca que el refrigerador trabaje por más tiempo y consuma más energía.
- Cubra los alimentos y seque los recipientes antes de colocarlos en el refrigerador. Esto reduce la acumulación de humedad dentro de la unidad.
- Organice el refrigerador para reducir el tiempo de apertura de las puertas. Saque la mayor cantidad de artículos que necesite de una sola vez y cierre la puerta tan pronto como sea posible.



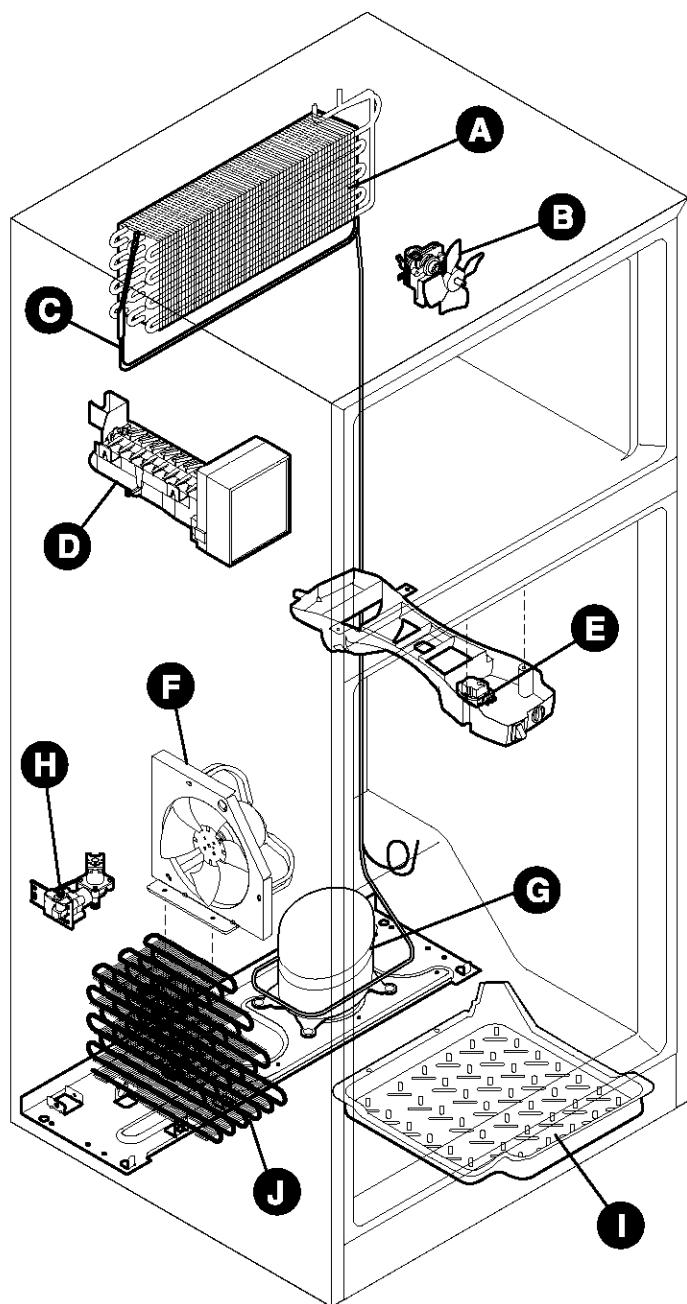


## Sonidos y señales que indican funcionamiento normal

### EL SIGNIFICADO DE LOS SONIDOS QUE USTED PUEDE ESCUCHAR

Su nuevo refrigerador de alta eficiencia puede hacer ruidos a los que usted no esté acostumbrado. No se asuste, estos ruidos son normales. Las superficies duras, como los pisos de vinilo o madera, paredes y armarios de cocina pueden aumentar el nivel de los ruidos. A continuación le damos una lista de descripción de algunos de los sonidos más comunes que usted puede escuchar y su causa.

**NOTA:** El aislamiento de espuma rígida es muy eficiente para ahorrar energía pero no es un aislante contra ruidos.



#### A. Evaporador

El flujo de líquido refrigerante a través del evaporador puede crear un sonido de ebullición o borboteo.

#### B. Ventilador del evaporador

Puede escuchar el flujo de aire que el ventilador del evaporador hace pasar a través del refrigerador.

#### C. Calentador de descongelación

Durante los ciclos de descongelación, el agua que escurre sobre el calentador de descongelación puede causar un sonido sibilante o chisporroteo. Después de la descongelación, puede haber un sonido de estallido.

**IMPORTANTE:** Durante el ciclo automático de descongelación, es posible que se note un resplandor rojo en las salidas de aire en la pared posterior del compartimiento del congelador. Esta característica es normal durante el ciclo de descongelación.

#### D. Fabricador automático de hielo

Si su refrigerador está equipado con un fabricante automático de hielo, usted escuchará el sonido de los cubitos de hielo al caer en el recipiente de hielo.

#### E. Reloj de descongelación y control de enfriamiento

Estas partes pueden producir un chasquido al encender y apagar el refrigerador. El reloj también produce sonidos similares a los de un reloj eléctrico.

#### F. Ventilador del condensador

Si los serpentines del condensador están ubicados debajo del refrigerador, como se muestra en el dibujo de la izquierda, existe un ventilador del condensador. Usted puede escuchar el aire que el ventilador del condensador hace pasar a través del condensador.

#### G. Compresor

Los compresores modernos de alta eficiencia funcionan con mayor velocidad que los modelos antiguos. El compresor puede generar un zumbido alto o un sonido palpitante.

#### H. Válvula de agua

Si su refrigerador está equipado con un fabricante automático de hielo, usted escuchará un zumbido a medida que la válvula de agua se abre para llenar el fabricante de hielo en cada ciclo.

#### I. Bandeja de drenaje (no se puede desmontar)

Es posible que usted escuche el agua correr hacia la bandeja de drenaje durante el ciclo de descongelación. Esta bandeja está ubicada sobre el compresor de los condensadores enfriados por aire (serpentines negros en la parte posterior del refrigerador).

#### J. Serpentines de condensación (sólo en modelos de refrigeración por ventilación)



## Cuidado y limpieza

Mantenga su refrigerador y congelador limpios para evitar la aparición de olores desagradables. Limpie cualquier derrame inmediatamente y limpie ambos compartimientos por lo menos dos veces al año. **Nunca** utilice esponjas para restregar, cepillos, limpiadores abrasivos ni soluciones alcalinas fuertes para limpiar las superficies. **No** lave ninguna de las piezas móviles en el lavavajillas automático. **Siempre desenchufe el cable de alimentación eléctrica de la toma de corriente de pared antes de la limpieza.**

### PRECAUCIÓN

- Al mover el refrigerador, sáquelo directamente hacia afuera. No mueva el refrigerador de lado a lado porque podría rasgar o levantar la cubierta del piso. Si el refrigerador tiene un fabricante automático de hielo, tenga cuidado de no mover el refrigerador más allá de lo que permiten las conexiones de tuberías.
- Los objetos húmedos se adhieren a las superficies metálicas frías. No toque las superficies refrigeradas con las manos mojadas o húmedas.
- Para evitar daños y lograr que el refrigerador funcione con la mayor eficiencia posible, limpie el condensador periódicamente.

### NOTAS:

- Al colocar el control de temperatura del refrigerador en la posición "0" (apagado) se apaga el compresor, pero no se desconecta la corriente eléctrica que alimenta la bombilla y otros componentes eléctricos.
- No utilice hojas de afeitar ni otros instrumentos afilados para quitar las etiquetas adhesivas porque puede dañar la superficie del aparato. Cualquier residuo de pegamento de etiquetas o cintas puede eliminarse con una mezcla de agua tibia y detergente suave; también puede levantar el residuo de goma con la parte adhesiva de la cinta que ya haya quitado. **No quite la placa de identificación.**

Tabla de cuidado y limpieza

| Parte                                                                          | Que debe utilizar                                                                                                                                                     | Consejos y precauciones                                                                                                                                                                                                                                                                                                                                                                                                                                                            |
|--------------------------------------------------------------------------------|-----------------------------------------------------------------------------------------------------------------------------------------------------------------------|------------------------------------------------------------------------------------------------------------------------------------------------------------------------------------------------------------------------------------------------------------------------------------------------------------------------------------------------------------------------------------------------------------------------------------------------------------------------------------|
| Interior/<br>Revestimiento de la puerta                                        | <ul style="list-style-type: none"> <li>• Jabón y agua</li> <li>• Bicarbonato de soda y agua</li> </ul>                                                                | Use 2 cucharadas de bicarbonato de soda en 0,97 litros (1/4 de galón) de agua tibia. <b>Asegúrese de exprimir todo el exceso de agua de la esponja o el paño antes de limpiar la zona alrededor de los controles, la bombilla y cualquier otra parte eléctrica.</b>                                                                                                                                                                                                                |
| Juntas de las puertas                                                          | <ul style="list-style-type: none"> <li>• Jabón y agua</li> </ul>                                                                                                      | Limpie las juntas con un paño suave y limpio.                                                                                                                                                                                                                                                                                                                                                                                                                                      |
| Compartimientos                                                                | <ul style="list-style-type: none"> <li>• Jabón y agua</li> </ul>                                                                                                      | No lave ninguna de las partes móviles (compartimientos, cajones, etc.) en el lavavajillas automático.                                                                                                                                                                                                                                                                                                                                                                              |
| Anaqueles de vidrio                                                            | <ul style="list-style-type: none"> <li>• Jabón y agua</li> <li>• Limpiavidrios</li> <li>• Aerosol líquido suave</li> </ul>                                            | Deje que el vidrio adquiera la temperatura ambiente antes de sumergirlo en el agua tibia.                                                                                                                                                                                                                                                                                                                                                                                          |
| Rejilla de la base                                                             | <ul style="list-style-type: none"> <li>• Jabón y agua</li> <li>• Aerosol líquido suave</li> <li>• Accesorio de aspiradora</li> </ul>                                  | Aspire el polvo de la parte delantera de la rejilla de la base. Quite la rejilla (vea la ilustración en la página 24). Aspire la parte posterior y limpie con un paño o esponja impregnada de agua jabonosa. Enjuague y seque.                                                                                                                                                                                                                                                     |
| Exterior y manillas                                                            | <ul style="list-style-type: none"> <li>• Jabón y agua</li> </ul>                                                                                                      | No utilice limpiadores comerciales para uso doméstico, amoníaco ni alcohol para limpiar las manillas.                                                                                                                                                                                                                                                                                                                                                                              |
| Exterior y manillas (Sólo para modelos de acero inoxidable)                    | <ul style="list-style-type: none"> <li>• Jabón y agua</li> <li>• Amoniaco</li> <li>• Limpiadores de acero inoxidable</li> </ul>                                       | Limpie la parte delantera y las manillas de acero inoxidable con agua y jabón. Utilice amoníaco para las manchas difíciles. Utilice un limpiador de acero inoxidable no abrasivo. Podrá adquirir este tipo de limpiadores en la mayoría de tiendas de artículos para el hogar o en los almacenes comerciales más importantes.                                                                                                                                                      |
| Serpentines del condensador (sólo en modelos de refrigeración por ventilación) | <ul style="list-style-type: none"> <li>• El cepillo para la limpieza de los condensadores, lo podrá adquirir donde compró el equipo.</li> <li>• Aspiradora</li> </ul> | No hay necesidad de utilizarla a no ser que el refrigerador haya estado funcionando en unas condiciones de polvo o suciedad extremas o bien, si su hogar se encuentra cerca de vías con circulación pesada. Si fuera necesario limpiarlo, retire la rejilla de la base y utilice la boquilla alargada de la aspiradora y el cepillo para limpieza de condensadores para eliminar cualquier acumulación de polvo en los serpentines de condensación (artículo "J" en la página 35). |
| Serpentines del condensador (sólo en modelos de refrigeración por aire)        | <ul style="list-style-type: none"> <li>• Aspiradora</li> </ul>                                                                                                        | Utilice la boquilla para quitar polvo de la aspiradora para quitar el exceso de polvo de los serpentines del condensador (tubos negros y cableado) que están en el parte posterior de los refrigeradores enfriados por aire.                                                                                                                                                                                                                                                       |
| Bandeja de agua descongelada                                                   | <ul style="list-style-type: none"> <li>• Jabón y agua</li> </ul>                                                                                                      | Ciertos modelos tienen una bandeja para recoger el agua descongelador, ubicada sobre el compresor en la parte posterior inferior del refrigerador (vea la ilustración en la página siguiente). Limpie la bandeja de agua con un paño húmedo. NOTA: La bandeja de agua de descongelación NO es desmontable.                                                                                                                                                                         |

ESPAÑOL





## Cuidado y limpieza (continuación)

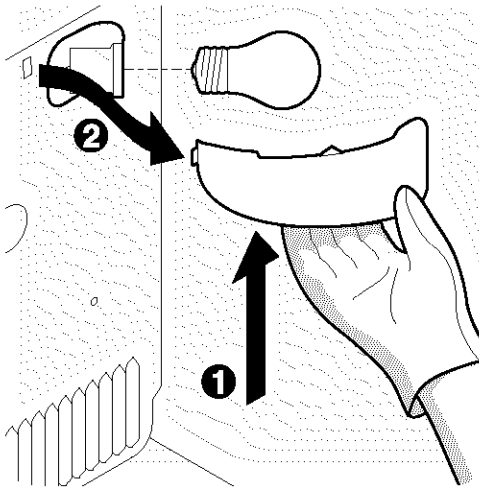
**PRECAUCIÓN** Tenga cuidado de no cortarse al reemplazar las bombillas; utilice guantes.

### REEMPLAZO DE LA BOMBILLA DEL CONGELADOR (EN CIERTOS MODELOS)

1. Desenchufe el refrigerador.
2. Use guantes como protección en caso de que haya vidrios rotos.
3. Levante la pantalla de la luz, como se muestra en la figura.
4. Desenrosque y reemplace la bombilla quemada con una nueva de igual vatiaje.
5. Coloque de nuevo la pantalla.
6. Recuerde enchufar de nuevo el refrigerador.



Bandeja de agua descongelada, no desmontable (en ciertos modelos)



| Consejos para las vacaciones y mudanzas |                                                                                                                                                                                                                                                                                                                                                                                                                                                                                                                                            |
|-----------------------------------------|--------------------------------------------------------------------------------------------------------------------------------------------------------------------------------------------------------------------------------------------------------------------------------------------------------------------------------------------------------------------------------------------------------------------------------------------------------------------------------------------------------------------------------------------|
| <b>Vacaciones cortas</b>                | <ul style="list-style-type: none"> <li>• Deje el refrigerador funcionando durante periodos de vacaciones de hasta 3 semanas de duración.</li> <li>• Consuma todos los alimentos perecederos del compartimiento del refrigerador.</li> <li>• Apague el fabricante automático de hielo, incluso si sólo se ausenta por unos pocos días.</li> </ul>                                                                                                                                                                                           |
| <b>Vacaciones largas</b>                | <ul style="list-style-type: none"> <li>• Retire todos los alimentos el hielo si se va a ausentar por un mes o más tiempo.</li> <li>• Apague todos los controles (O) y desconecte la energía eléctrica.</li> <li>• Apague el fabricante automática de hielo y cierre la válvula de suministro de agua.</li> <li>• Limpie profundamente el interior del refrigerador.</li> <li>• Deje las dos puertas abiertas para evitar la aparición de olores y de moho. Si es necesario, bloquee las puertas para que se mantengan abiertas.</li> </ul> |
| <b>Mudanza</b>                          | <ul style="list-style-type: none"> <li>• Retire todos los alimentos y el hielo.</li> <li>• Su usa una carretilla, cargue el refrigerador por el costado.</li> <li>• Ajuste las ruedas completamente hacia arriba para protegerlas durante el traslado o mudanza.</li> <li>• Acolche el gabinete para evitar raspaduras en la superficie.</li> </ul>                                                                                                                                                                                        |

# ATENCIÓN

Para garantizar la correcta instalación del refrigerador, vea la sección “Instalación” en las páginas 24 y 25



Para realizar la inversión de las puertas, vea la sección “Extracción e inversión de puertas” en las páginas del 26 al 27



## Antes de llamar al servicio técnico

| Problemas frecuentes                                                                         | Antes de llamar al servicio técnico, revise la siguiente lista. Al hacerlo puede ahorrar tiempo y dinero. La siguiente lista incluye problemas frecuentes que no son el resultado de defectos en la mano de obra o de materiales de este aparato.                                                                                                                                                                                                               |
|----------------------------------------------------------------------------------------------|-----------------------------------------------------------------------------------------------------------------------------------------------------------------------------------------------------------------------------------------------------------------------------------------------------------------------------------------------------------------------------------------------------------------------------------------------------------------|
| El refrigerador no funciona.                                                                 | <ul style="list-style-type: none"> <li>• Asegúrese de que el enchufe está introducido firmemente en la toma de corriente eléctrica.</li> <li>• Verifique/reemplace el fusible con un fusible de tiempo de retardo de 15 amp. Reajuste el disyuntor cortacircuitos.</li> <li>• El control de temperatura está en la posición “O” (apagado).</li> <li>• El refrigerador puede estar en el ciclo de descongelado. Espere 20 minutos y vuelva a revisar.</li> </ul> |
| La temperatura del congelador es muy fría. La temperatura del refrigerador es satisfactoria. | <ul style="list-style-type: none"> <li>• Gradúe el control del congelador a una posición menos fría hasta que la temperatura del congelador sea satisfactoria. Espere 24 horas para que la temperatura se estabilice.</li> </ul>                                                                                                                                                                                                                                |
| La temperatura del refrigerador es muy fría. La temperatura del congelador es satisfactoria. | <ul style="list-style-type: none"> <li>• Gradúe el control del refrigerador a una posición menos fría. Espere 24 horas para que la temperatura se estabilice. Luego verifique la temperatura del congelador y haga los ajustes que sean necesarios.</li> </ul>                                                                                                                                                                                                  |
| * El refrigerador hace mucho ruido o vibra.                                                  | <ul style="list-style-type: none"> <li>• El gabinete no está nivelado.</li> <li>• El piso no es resistente.</li> </ul>                                                                                                                                                                                                                                                                                                                                          |
| Hay olores en el refrigerador.                                                               | <ul style="list-style-type: none"> <li>• Se debe limpiar el interior.</li> <li>• Se deben cubrir o envolver los alimentos que producen olor.</li> </ul>                                                                                                                                                                                                                                                                                                         |
| La luz del gabinete no funciona.                                                             | <ul style="list-style-type: none"> <li>• Reemplace la bombilla.</li> <li>• Asegúrese de que el enchufe está introducido firmemente en la toma de corriente eléctrica.</li> <li>• El interruptor de la luz puede estar trabado. Para soltarlo, haga presión sobre el interruptor, ubicado en la caja de control del refrigerador.</li> </ul>                                                                                                                     |
| El fabricante automático de hielo no funciona (en ciertos modelos).                          | <ul style="list-style-type: none"> <li>• Asegúrese de que el brazo metálico indicador no esté en la posición hacia “arriba” .</li> <li>• El fabricante de hielo debe producir 1,8 a 2,25 kg. (4 a 5 libras) de hielo en un período de 24 horas.</li> <li>• El suministro de agua está cerrado.</li> <li>• La presión de agua es muy baja.</li> <li>• El congelador no está suficientemente frío.</li> </ul>                                                     |

\* Lea la sección denominada Sonidos y señales que indican funcionamiento normal en la página 35.









## Bienvenue et félicitations

Félicitations pour l'achat de votre nouveau réfrigérateur! Nous, de **Sears**, sommes très fiers de nos produits et nous sommes déterminés à vous offrir le meilleur service possible. Votre satisfaction est notre priorité.

Nous sommes certains que vous apprécierez votre nouveau réfrigérateur et merci d'avoir choisi un de nos produits. Nous souhaitons que vous nous soyez fidèles pour vos prochains achats.

### VEUILLEZ LIRE CES INSTRUCTIONS ET LES CONSERVER

Ce Manuel d'utilisation et d'entretien fournit des instructions de fonctionnement spécifiques pour votre modèle. N'utilisez votre réfrigérateur que de la façon indiquée dans ce manuel. Ces instructions n'ont pas la prétention de couvrir toutes les conditions ou situations susceptibles de se produire. Il faut faire preuve de bon sens et de prudence chaque fois que l'on installe un appareil, qu'on le fait fonctionner ou qu'on en fait la maintenance.

**Veillez indiquer les numéros de modèle et de série ci-dessous pour référence future. Ces informations se trouvent sur la plaque signalétique située à l'intérieur de votre réfrigérateur.**

**REMARQUE :** N'utilisez que de l'eau et du savon pour nettoyer la plaque signalétique.

Numéro de modèle : 253

Ou: 970

Numéro de série: \_\_\_\_\_

Date de l'achat : \_\_\_\_\_

### TABLE DES MATIERES

|                                                                                                     |       |
|-----------------------------------------------------------------------------------------------------|-------|
| Bienvenue .....                                                                                     | 41    |
| Recommandations pour une utilisation sécuritaire .....                                              | 41-42 |
| Garantie .....                                                                                      | 42    |
| Canada - Garantie .....                                                                             | 43    |
| Installation - Inclut le raccord en option pour raccorder la glacière à l'alimentation en eau ..... | 44-45 |
| Dépose et inversion des portes .....                                                                | 46-47 |
| Aperçu des caractéristiques .....                                                                   | 48    |
| Commandes de température .....                                                                      | 49    |
| Vue de l'intérieur .....                                                                            | 50-52 |
| Fabrication de glace .....                                                                          | 53    |
| Conseils pour la conservation des aliments et l'économie d'énergie .....                            | 54    |
| Bruits de fonctionnement normaux et aspects .....                                                   | 55    |
| Entretien et nettoyage .....                                                                        | 56-57 |
| Avant d'appeler .....                                                                               | 58    |



## Recommandations pour une utilisation sécuritaire



**Veillez lire toutes instructions avant d'utiliser ce réfrigérateur.**

### POUR VOTRE SÉCURITÉ

- Ne pas ranger ni utiliser d'essence ou tout autre liquide inflammable à proximité de cet appareil ou de tout autre appareil. Lire les étiquettes du produit pour vous informer de tout indice d'inflammabilité ou de toutes autres précautions d'usage.
- Ne pas faire fonctionner le réfrigérateur en présence d'émanations explosives.
- Éviter tout contact avec les pièces mobiles de la glacière automatique.
- Enlever toutes les agrafes du carton. Les agrafes peuvent causer des coupures importantes et endommager le fini des meubles et des appareils électroménagers.

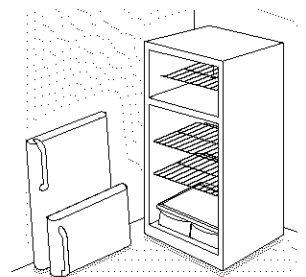
### LA SÉCURITÉ DES ENFANTS

Jeter au rebut ou recycler le carton, les sacs de plastique et tous les autres matériaux d'emballage immédiatement après avoir déballé le réfrigérateur. Les enfants ne devraient jamais jouer avec ces matériaux. Les morceaux de carton couverts de tapis, d'un couvre-lit, de feuilles de plastique ou de film étirable peuvent facilement se transformer en construction étanche et causer rapidement l'asphyxie.

### MISE AU REBUT APPROPRIÉE DE VOTRE RÉFRIGÉRATEUR OU CONGÉLATEUR

#### Risque de piégeage des enfants

Le piégeage et la suffocation d'enfants n'est pas un problème du passé. Les réfrigérateurs et les congélateurs au rebut ou abandonnés sont toujours dangereux-même pour quelques jours. Si vous vous débarrasser de votre vieux réfrigérateur ou congélateur, veuillez suivre les consignes suivantes pour éviter les accidents.



#### Avant de jeter au rebut votre vieux réfrigérateur/ congélateur:

- Enlever les portes.
- Laissez les tablettes en place pour empêcher que les enfants n'y entrent facilement.
- Faites enlever le réfrigérant par un technicien qualifié.



## Recommandations pour une utilisation sécuritaire (suite)



**AVERTISSEMENT** Ces directives doivent être suivies pour assurer le bon fonctionnement des dispositifs de sécurité de ce réfrigérateur.

### INFORMATIONS SUR LE SYSTÈME ÉLECTRIQUE

- Le réfrigérateur doit être branché à sa propre prise de courant alternatif de 115 volts et de 60 Hz. Le cordon d'alimentation de l'appareil est muni de 3 broches avec mise à la terre pour assurer une protection accrue contre les risques d'électrocution. La fiche électrique à 3 broches doit être branchée directement dans une prise de courant appropriée avec mise à la terre. La prise de courant doit respecter les codes locaux et les ordonnances. Consulter un électricien qualifié. **Ne pas utiliser de rallonge ni d'adaptateur.**
- Réparer ou remplacer immédiatement un cordon électrique usé ou endommagé.
- Ne jamais débrancher le réfrigérateur en tirant sur le cordon électrique. Toujours saisir fermement la fiche et la tirer directement de la prise de courant afin de ne pas endommager le cordon électrique.
- Pour réduire les risques de choc électrique, toujours débrancher le réfrigérateur avant de le nettoyer ou de changer une ampoule.
- Le rendement de l'appareil peut être affecté par une variation de tension de 10% ou plus. Faire fonctionner le réfrigérateur avec une alimentation électrique insuffisante peut endommager le compresseur. Ce type de dommages ne sont pas couverts par votre garantie.
- Pour éviter que le courant électrique qui alimente le réfrigérateur ne soit accidentellement coupé, ne pas brancher l'appareil à une prise de courant contrôlée par un interrupteur mural ni tirer sur le cordon électrique.
- Éviter de brancher le réfrigérateur à un interrupteur à circuit de terre contrôlé.

**REMARQUE:** Tourner la commande de température du congélateur à «O» éteint le compresseur sans pour autant couper le courant qui alimente l'ampoule électrique ou les autres composants électriques.



## Informations sur la garantie

### GARANTIE COMPLÈTE DE UN AN SUR LE RÉFRIGÉRATEUR

Pendant un an à partir de la date d'achat, si ce réfrigérateur fonctionne et est entretenu selon les instructions du guide de l'utilisateur, Sears réparera ce réfrigérateur, gratuitement, en cas de défaut de matériau ou de fabrication.

### GARANTIE COMPLÈTE DE CINQ ANS SUR LE SYSTÈME DE RÉFRIGÉRATION SCÉLÉ

Pendant cinq ans à partir de la date d'achat, si ce réfrigérateur fonctionne et est maintenu selon les instructions du guide de l'utilisateur, Sears réparera gratuitement le système de réfrigération scellé (comprenant le réfrigérant, la tuyauterie et le moteur du compresseur), en cas de défaut de matériau ou de fabrication.

La garantie ci-dessus ne s'applique qu'à des réfrigérateurs utilisés à fins domestiques.

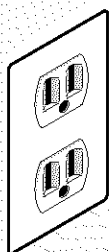
Cette garantie vous donne des droits spécifiques. Il se peut que vous bénéficiiez d'autres droits, lesquels varient d'états à états.

Le service de garantie est disponible en contactant le CENTRE DE SERVICE/DÉPARTEMENT DE SEARS PLUS PROCHE aux États - Unis. Voir la page postérieure de ce manuel.

Pour les questions au garantie, s'il vous plaît contacter l'adresse suivante:

**Sears, Roebuck and Co.**  
**Dept. 817WA**  
**Hoffman Estates, IL 60179**

Prise murale avec mise à la terre



**Ne jamais couper, enlever ou contourner la broche de mise à la terre.**

Cordon d'alimentation à 3 broches avec mise à la terre





## Informations sur la garantie

# CANADA — GARANTIE



## Réfrigérateurs

Canada Inc. garantit tous les réfrigérateurs *Kenmore* neufs contre tout vice de matériau ou de fabrication. En cas de défaut, voici ce que Sears effectuera gratuitement:

| Cette garantie couvre:                                           | Durée de la garantie<br>(à compter de la date d'achat) | Pièces:<br>Au choix de Sears,<br>réparation ou remplacement<br>de la pièce défectueuse<br>pendant: | Main d'oeuvre: Installation<br>de la pièce réparée ou de<br>la pièce de rechange<br>pendant: |
|------------------------------------------------------------------|--------------------------------------------------------|----------------------------------------------------------------------------------------------------|----------------------------------------------------------------------------------------------|
| Le compresseur                                                   | DIX (10) ANS                                           | CINQ (10) ANS                                                                                      | DIX (10) ANS                                                                                 |
| Le système scellé<br>(réfrigérant, évaporateur et<br>condenseur) | CINQ (5) ANS                                           | CINQ (5) ANS                                                                                       | CINQ (5) ANS                                                                                 |
| Toutes les autres pièces,<br>tous les autres réglages            | UN (1) AN                                              | UN (1) AN                                                                                          | UN (1) AN                                                                                    |

### Responsabilité normale du consommateur

Les points suivants, qui ne sont pas des défauts de fabrication, ne sont pas compris dans la garantie, mais sont à la charge du client:

- 1) Dommages du fini après livraison.
- 2) Alimentation électrique impropre, faible tension, tout défaut du câblage de la maison, appareil non branché à une prise électrique.
- 3) Remplacement des ampoules électriques.
- 4) Dommages causés par le déplacement de l'appareil.
- 5) Réparations à la suite de modifications, usage abusif, incendie, inondation ou causes naturelles.
- 6) Bonne circulation d'air au système de réfrigération.
- 7) Utilisation et entretien appropriés, comme il est indiqué dans le guide, bon réglage des commandes.

Pour tout entretien nécessaire sous cette garantie, appelez simplement **1-877-LE-FOYER<sup>SM</sup>** (1-877-533-6937).

La garantie ci-dessus concerne les réfrigérateurs *Kenmore* vendus et fonctionnant au Canada seulement. Elle ne s'applique pas si le réfrigérateur est utilisé à d'autres fins que domestiques.

### Contrat d'entretien Sears

Conservez la valeur de votre réfrigérateur *Kenmore* avec un contrat d'entretien Sears.

**SEARS CANADA INC. • Toronto, Canada • M5B 2B8**



## Installation

Ce Manuel d'utilisation et d'entretien fournit des instructions de fonctionnement spécifiques pour votre modèle. N'utilisez le réfrigérateur que de la façon indiquée dans ce manuel d'utilisation et d'entretien. **Avant de faire fonctionner le réfrigérateur, suivez ces premières étapes importantes.**

### EMPLACEMENT

- Placer le réfrigérateur près d'une prise de courant avec mise à la terre. Ne pas utiliser de rallonge ni d'adaptateur.
- Si possible, ne pas placer le réfrigérateur directement sous la lumière du soleil et le placer loin de la cuisinière, du lave-vaisselle et des autres sources de chaleur.
- Le réfrigérateur doit être installé sur un plancher à niveau et suffisamment solide pour supporter le poids du réfrigérateur une fois rempli.
- Prendre en considération la proximité de l'approvisionnement en eau pour les modèles équipés d'une glacière automatique.

### INSTALLATION

- Ne pas installer le réfrigérateur dans un endroit où la température descend en dessous de 13 °C (55 °F) ou monte au-dessus de 43 °C (110 °F). À ces extrêmes de température le compresseur ne sera pas capable de maintenir une température adéquate à l'intérieur du réfrigérateur.

**⚠ MISE EN GARDE** Ne pas obstruer le grillage inférieur situé à l'avant de votre réfrigérateur. Une bonne circulation d'air est essentielle pour que votre réfrigérateur fonctionne correctement.

#### Dégagement nécessaire pour l'installation

- Laisser le dégagement suivant pour faciliter l'installation et permettre une bonne circulation d'air et les connexions électriques et de plomberie:
  - Côtés et dessus ----- 1cm (3/8 po)
  - Arrière ----- 2,5 cm (1 po)

**REMARQUE:** Si vous voyez des serpentins/de la tuyauterie noirs à l'arrière de votre réfrigérateur (condenseur refroidi par air) laissez 7,6 cm (3 po) de dégagement au-dessus de votre réfrigérateur.

### OUVERTURE DE LA PORTE

**REMARQUE :** Si votre réfrigérateur est positionné contre un mur sur le côté des pentures, vous devrez peut-être le distancer du mur pour permettre une plus grande ouverture de la porte.

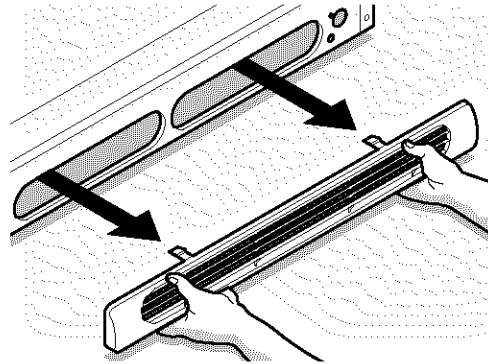
Votre réfrigérateur doit être placé près d'un comptoir de manière à vous permettre d'y déposer facilement la nourriture. Pour vous faciliter la tâche, la direction des portes peut être inversée. Consulter les instructions de la section « Dépose et inversion des portes » à la page 46.

### MISE À NIVEAU

Les quatre coins de votre réfrigérateur doivent reposer fermement sur un plancher solide. Votre réfrigérateur est équipé de pieds de nivellement à l'avant pour vous aider le mettre à niveau.

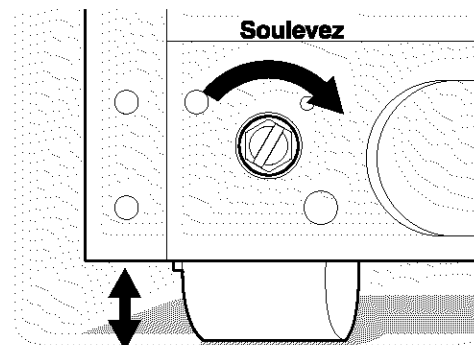
**Pour mettre votre réfrigérateur à niveau :**

1. Enlevez le grillage inférieur.



2. Utilisez un tournevis à lame plate ou une clé à douilles de 9 mm (3/8 po) pour régler les pieds de nivellement avant.

**REMARQUE :** Surélevez suffisamment l'avant de votre réfrigérateur afin que les portes se ferment d'elles-mêmes lorsqu'elles sont à moitié ouvertes. Le réfrigérateur doit présenter une dénivellation de 6 à 13 mm (¼ à ½ po) entre l'avant et l'arrière. Ensuite, mettez le réfrigérateur à niveau latéralement.





## Installation - Raccorder la glacière en option à l'alimentation en eau

**AVERTISSEMENT** Afin d'éviter tout risque de chocs électriques qui pourraient entraîner des blessures graves ou même la mort, toujours débrancher le réfrigérateur de la prise de courant avant de le raccorder à l'alimentation en eau.

**MISE EN GARDE** Pour éviter des dommages matériels :

- Il est recommandé d'utiliser des tuyaux en cuivre pour l'alimentation en eau. Les tuyaux en plastique de 6,4 mm (¼ po) ne sont pas recommandés, car ils présentent d'importants risques de fuite. Le fabricant ne sera tenu responsable pour aucun dommage résultant de l'utilisation de tuyaux en plastique.
- **NE PAS** installer les tuyaux d'alimentation en eau dans un endroit où la température peut descendre en dessous du point de congélation.
- Les produits chimiques provenant d'un système d'adoucisseur d'eau défectueux peuvent endommager la glacière. Si la glacière est connectée à un tel système, s'assurer qu'il est bien entretenu et qu'il fonctionne correctement.

**IMPORTANT** : S'assurer que les raccords d'alimentation en eau respectent tous les codes de plomberie locaux.

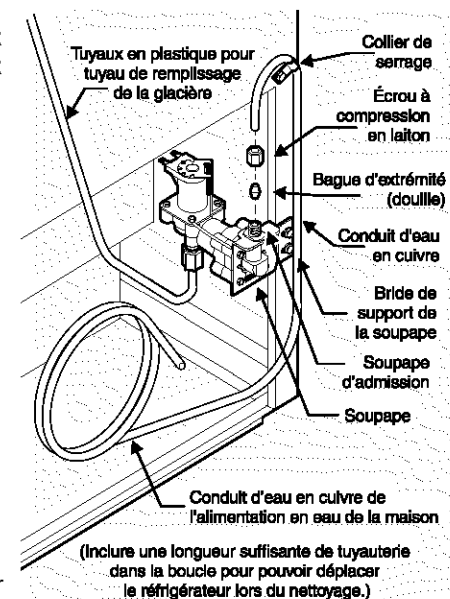
### Avant d'installer de l'alimentation en eau, vous aurez besoin

- **Outils nécessaires** : clé à ouverture variable, tournevis standard à lame plate et tournevis Phillips™.
- Accès au conduit d'alimentation en eau froide de la maison ayant une pression d'eau de 20 à 120 psi.
- Une alimentation d'eau faite de tuyau de cuivre ou de boyau renforcé de 6,4 mm (¼") de diam. Pour déterminer la longueur du conduit en cuivre dont vous aurez besoin, vous devrez mesurer la distance entre la soupape de la glacière, située à l'arrière du réfrigérateur, et le conduit d'eau froide. Puis ajouter environ 2,1 m (7 pi), afin de permettre le déplacement du réfrigérateur lors du nettoyage (voir illustration).
- Une vanne d'arrêt branchée au conduit en eau de votre maison. **NE PAS** utiliser de vanne d'arrêt autotaraudeus.
- Un écrou à compression et une bague d'extrémité (douille) pour raccorder le conduit d'alimentation en eau à la soupape d'admission de la glacière.

**REMARQUE** : Un jeu de plomberie pour l'alimentation d'eau est disponible, moyennant des frais, chez les détaillants ou aux magasins de vente par catalogue Sears.

### Pour raccorder le conduit d'alimentation en eau à la soupape d'admission de la glacière

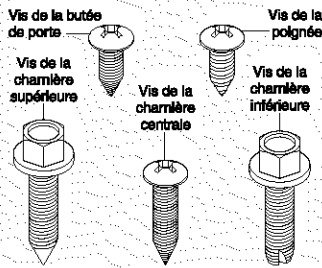
1. Débrancher le réfrigérateur de la prise de courant.
2. Placer l'extrémité du conduit d'alimentation en eau dans un évier ou un seau. OUVRIR l'alimentation en eau et laisser s'écouler l'eau jusqu'à ce qu'elle soit claire. FERMER l'alimentation en eau à partir de la vanne d'arrêt.
3. Dévisser le capuchon de plastique de la soupape d'admission (certains modèles) et le jeter.
4. Faire glisser l'écrou à compression en laiton puis la bague d'extrémité (douille) sur le conduit d'alimentation en eau, tel qu'illustré.
5. Pousser le conduit d'alimentation en eau dans la soupape d'admission aussi profondément que possible (6,4 mm [¼ po]). Faire glisser la bague d'extrémité (douille) dans la soupape d'admission et visser à la main l'écrou à compression sur la soupape. Visser d'un autre demi-tour avec une clé; **NE PAS** trop serrer.
6. À l'aide d'un collier de serrage et d'une vis, bien fixer le conduit d'alimentation en eau à l'arrière du panneau du réfrigérateur à l'endroit illustré.
7. Enrouler le surplus du conduit d'alimentation en eau (environ 2 tours et demi) à l'arrière du réfrigérateur tel qu'illustré à la figure 1 et le placer de manière à ce qu'il ne vibre pas et ne frotte pas contre une surface.
8. OUVRIR l'alimentation en eau à partir de la vanne d'arrêt et resserrer tous les raccords qui présentent des fuites.
9. Brancher le réfrigérateur à la prise de courant.
10. Pour faire fonctionner la glacière, rabaisser le levier de signalisation (le commutateur du levier de signalisation se trouve à l'avant de la glacière).



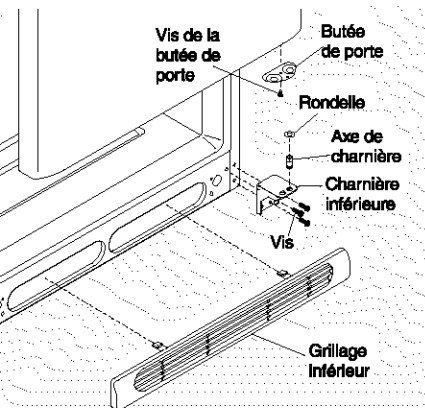
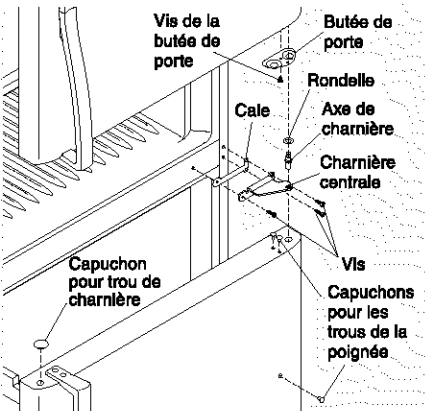
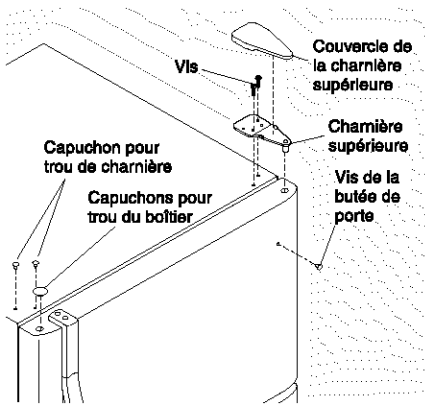
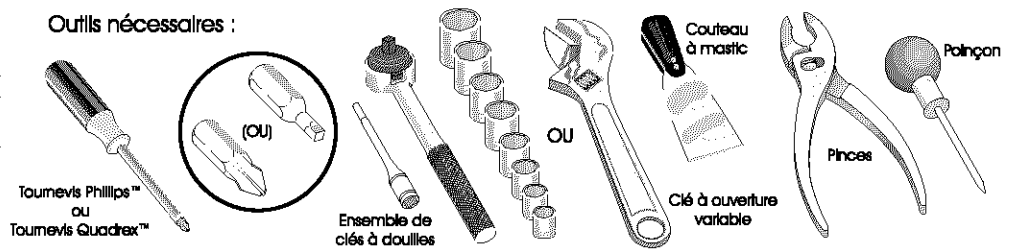
**IMPORTANT**: La glacière prend environ 24 heures avant de commencer à produire des glaçons. La présence d'air dans le nouveau conduit d'alimentation en eau peut faire en sorte que la glacière prenne deux ou trois cycles avant de produire un plein bac à glaçons. Le nouveau conduit d'alimentation en eau peut également amener la production de glaçons décolorés ou ayant un goût désagréable. Jeter les glaçons produits au cours des premières 24 heures.



# Dépose des portes et instructions pour l'inversion



Outils nécessaires :



## DÉPOSE DES PORTES ET INSTRUCTIONS POUR L'INVERSION :

**REMARQUE :** Le sens d'ouverture des portes de votre réfrigérateur peut être inversé de la gauche vers la droite ou vice versa, en déplaçant les charnières de porte du côté opposé. L'inversion du sens d'ouverture des portes doit être effectuée par du personnel qualifié.

**IMPORTANT :** Avant de commencer, tourner la commande de température du réfrigérateur à « 0 » pour l'éteindre et débrancher le cordon électrique de la prise de courant. Enlever tout ce qui se trouve sur les étagères de la porte.

1. Enlever le grillage inférieur et le couvercle de la charnière supérieure.
2. Enlevez la penture du haut avec une douille de 3/8" et soulevez la porte du congélateur hors du gond de la penture de centre. Mettre la porte de côté.
3. Dévisser l'axe de charnière centrale à l'aide d'une clé à ouverture variable et mettre de côté pour le réassemblage. S'assurer que la rondelle en plastique reste sur l'axe de charnière.
4. Soulever la porte du réfrigérateur de la charnière inférieure et la mettre de côté.
5. Enlevez la penture du centre et la cale en enlevant la vis intérieure et relâchant les deux vis extérieures suffisamment pour permettre à la penture et la cale d'être glissés hors position. Resserrez les vis.
6. Desserrer les deux vis à l'extérieur qui se trouvent du côté opposé du réfrigérateur, enlever la vis à l'intérieur et installer la charnière centrale.
7. Enlevez la penture de bas avec une douille de 3/8". Insérer les deux vis à l'extérieur et resserrer. La vis à l'intérieur va du côté opposé à l'étape 8.
8. Enlever les deux vis à l'extérieur qui se trouvent du côté opposé du réfrigérateur et installer la charnière inférieure. Insérez les vis mises de côté à l'étape 7 et serrez les.
9. Dévisser l'axe de la charnière inférieure à l'aide d'une clé à ouverture variable. Mettre l'axe de charnière dans le trou de l'autre côté et resserrer à l'aide d'une clé à ouverture variable.
10. Inverser les poignées de porte (voir les instructions à la page suivante).
11. Déplacer les butées de la porte du congélateur et de celle du réfrigérateur du côté opposé. Avant de commencer à visser, utilisez un poinçon pour percer la mousse.
12. Placer la porte du réfrigérateur dans l'axe de la charnière inférieure et visser l'axe de la charnière centrale dans la charnière centrale au haut de la porte. Fermez la porte du réfrigérateur pour aider à l'enlèvement du trou.
13. Resserrez l'axe de la charnière inférieure à l'aide d'une clé à ouverture variable.
14. Enlevez les bouche-trous de cabinet et penture et placez les au côté opposé.
15. Descendre la porte du congélateur dans l'axe de la charnière centrale.
16. Fermez la porte du congélateur. Ayez un assistant qui soulève l'autre côté de la porte pendant que vous serrez les vis pour installer la penture du haut.
17. Replacer le grillage inférieur et le couvercle de la charnière supérieure.
18. Brancher le cordon électrique et tourner la commande de température du réfrigérateur à la position centrale. Régler la commande de température au besoin.



## Dépose des portes et instructions pour l'inversion (suite)

**REMARQUE :** Certains modèles comportent des poignées encastrées dans les côtés de la porte. Pour ces modèles, seules les charnières doivent être inversées.

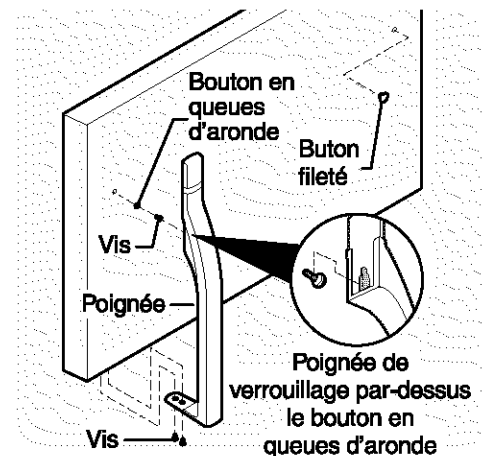
### POUR ENLEVER LA POIGNÉE DE LA PORTE DU CONGÉLATEUR:

(Il est plus facile d'inverser les poignées lorsque les portes sont enlevées.)

1. Enlever les deux vis qui retiennent la poignée à la base de la porte du congélateur.
2. Faire pivoter la base de la poignée en l'éloignant de la porte et faire glisser la poignée vers le haut, directement hors du bouton en queues d'aronde.
3. Enlever la vis et le bouton en queues d'aronde et les installer du côté opposé. Déplacer les capuchons pour trou dans les trous du côté opposé.

### POUR REPLACER LA POIGNÉE DE LA PORTE DU CONGÉLATEUR:

1. Commencer lorsque la partie inférieure de la poignée est éloignée de la porte. Placer la partie supérieure de la poignée par-dessus le bouton en queues d'aronde, faire pivoter la poignée pour qu'elle soit en position verticale et appuyer en poussant vers le bas pour la verrouiller en place.
2. Fixer la base de la poignée avec les deux vis enlevées précédemment.



### DÉPOSE DE LA GARNITURE (MODÈLES AVEC GARNITURE PLEINE LONGUEUR UNIQUEMENT)

Sur certains modèles, la porte du réfrigérateur comporte une garniture pleine longueur entre la base de la poignée et la base de la porte. Le haut de la garniture autour de la base de la poignée. Un fixeur de garniture adhésif est placé à mi-hauteur. La base de la garniture est maintenue en place soit par un fixeur de garniture adhésif ou par un fixeur de garniture comportant à deux broches insérées dans un trou à la surface de la porte.

### POUR ENLEVER LA GARNITURE :

1. Enlever délicatement la garniture de la porte en tirant aux endroits où se trouve les fixeurs.
2. Lorsque la garniture est enlevée de la porte, la faire glisser directement hors de la base de la poignée.

**REMARQUE:** Pour les modèles avec une petite garniture, l'enlever en la faisant glisser directement vers le bas, hors du support à poignée.

### POUR ENLEVER LA POIGNÉE DE LA PORTE DU RÉFRIGÉRATEUR:

(Il est plus facile d'inverser les poignées lorsque les portes sont enlevées.)

1. Enlever les deux vis qui retiennent la poignée au haut de la porte du réfrigérateur.
2. Faire pivoter le haut de la poignée en l'éloignant de la porte et faire glisser la poignée vers le bas, directement hors du bouton en queues d'aronde.
3. Enlever la vis et le bouton en queues d'aronde et les installer du côté opposé. Déplacer les capuchons pour trou dans les trous du côté opposé.

### POUR FIXER LA POIGNÉE DE LA PORTE DU RÉFRIGÉRATEUR :

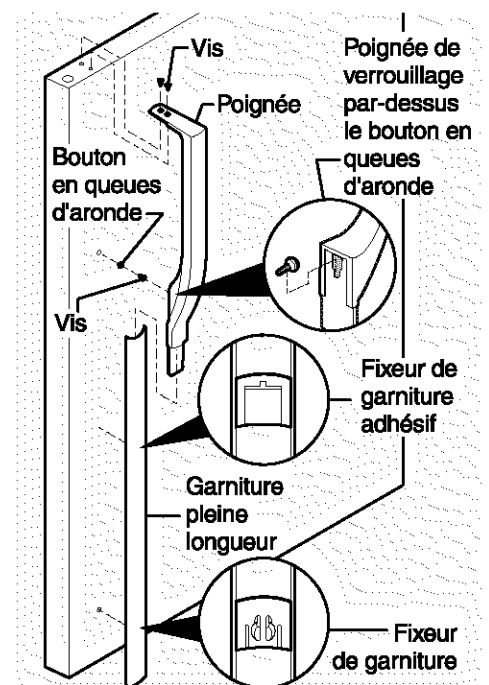
1. Commencer lorsque la partie inférieure de la poignée est éloignée de la porte. Placer la partie supérieure de la poignée par-dessus le bouton en queues d'aronde, faire pivoter la poignée pour qu'elle soit en position verticale et appuyer en poussant vers le haut pour la verrouiller en place.
2. Fixer le haut de la poignée avec les vis.

### POUR FIXER LA GARNITURE :

1. Faire glisser des deux fixeurs de garniture hors de la garniture.
2. Insérer les nouveaux fixeurs de garniture adhésifs inclus dans votre pochette à brochures.

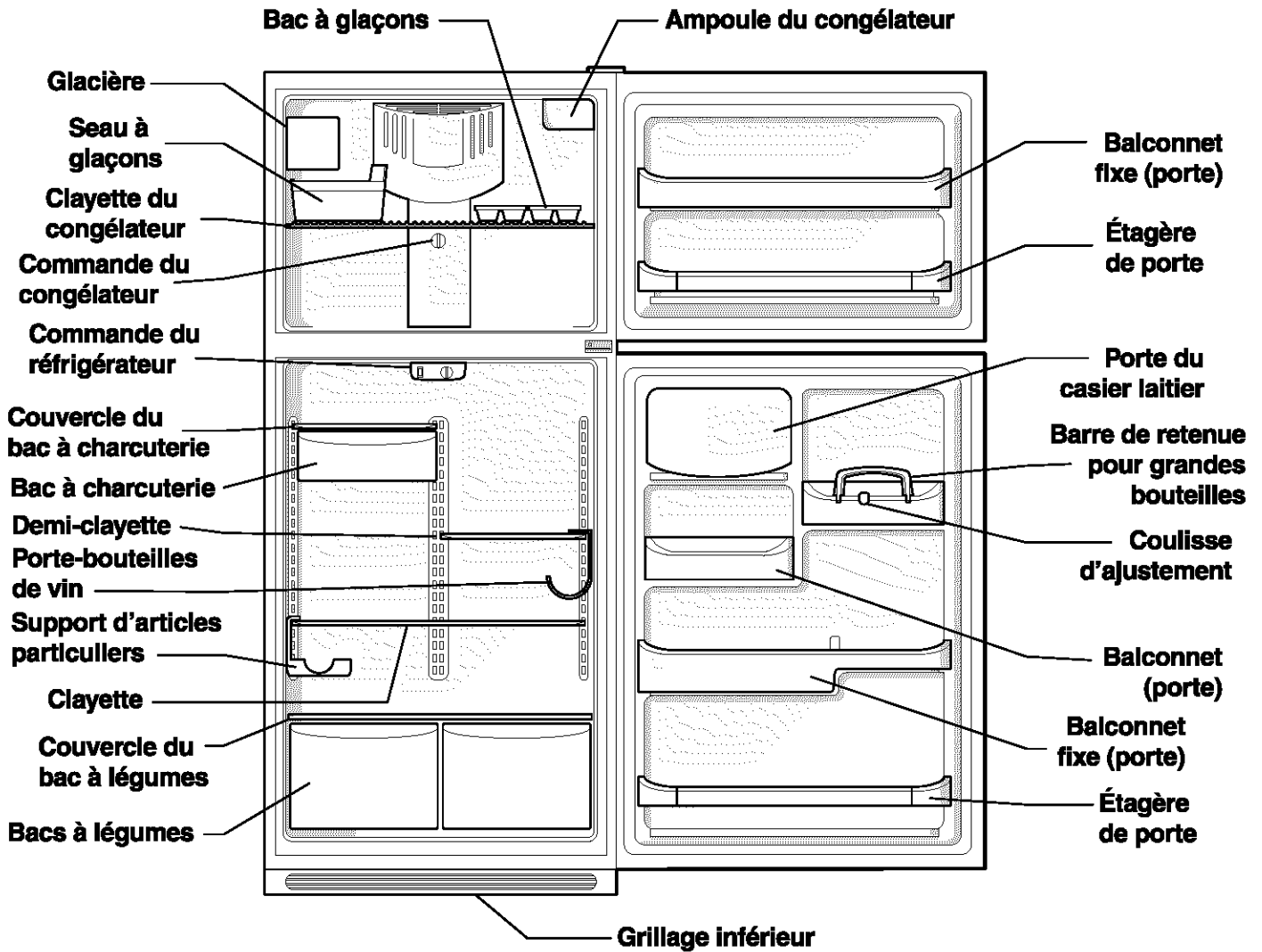
**REMARQUE:** Le fixeur de garniture doit être enlevé et installé en le faisant glisser sur les deux endroits en forme d'anneau.

3. Fixer la garniture à la poignée en la faisant glisser sur la base de la poignée. Bien aligner la garniture et appuyer fermement à l'endroit où se trouvent les fixeurs.
4. Replacer le capuchon pour trou du côté opposé. Utiliser de l'alcool à friction pour enlever les résidus de colle du fixeur de garniture.





## Aperçu des caractéristiques



*Les caractéristiques peuvent varier selon le modèle*



# Commandes de température

## PÉRIODE DE REFROIDISSEMENT

Pour assurer la conservation des aliments, faire fonctionner le réfrigérateur avec les portes fermées pendant au moins 8 à 12 heures avant de mettre de la nourriture dans le réfrigérateur.

## COMMANDES DU RÉFRIGÉRATEUR ET DU CONGÉLATEUR

**REMARQUE:** Lorsque vous réglez les commandes pour la première fois ou que vous changez les réglages, attendez 24 heures pour que la température se stabilise avant d'apporter de nouveaux changements.

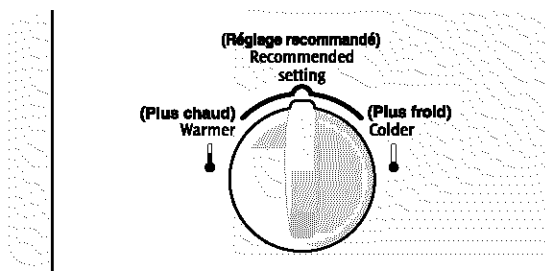
### RÉGLAGE DE LA TEMPÉRATURE

**REMARQUE:** Il est recommandé qu'au démarrage initial du réfrigérateur les commandes des compartiments congélateur et réfrigérateur soient placés à la position ▼. Après 24 heures, régler les commandes au besoin.

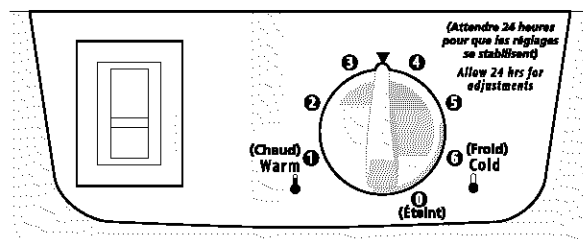
- Ajustez graduellement le bouton de commande de température en le déplaçant un petit peu à la fois pour permettre la stabilisation de la température.
- Pour obtenir une température plus froide, tourner le cadran vers « Cold » (froid).
- Pour obtenir une température plus chaude, tourner le cadran vers « Warm » (chaud).

La commande du réfrigérateur contrôle la température des deux compartiments. Par exemple, si la commande du réfrigérateur est mise à un réglage plus froid, il est possible que la commande du congélateur doive être réglée à un réglage plus chaud. La commande du congélateur ne contrôle que la température du congélateur.

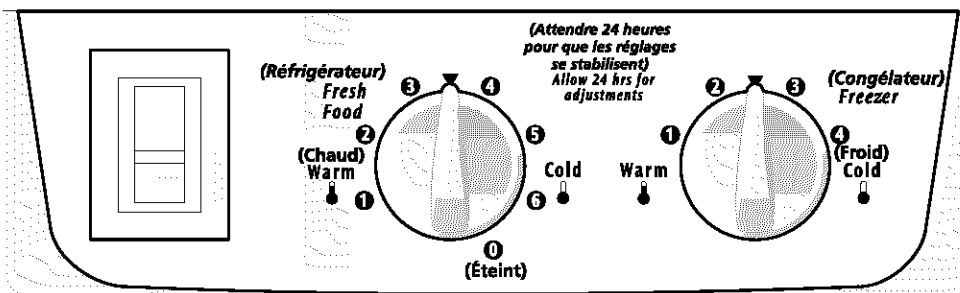
Le ventilateur fait circuler l'air dans les compartiments du réfrigérateur et du congélateur afin d'y maintenir la température. Ne pas obstruer les volets d'entrée de l'air froid avec des aliments afin de maintenir une bonne circulation.



La commande du congélateur (certains modèles)



La commande du réfrigérateur (certains modèles)



Les commandes du réfrigérateur et du congélateur (certains modèles)

**IMPORTANT:** Tourner la commande de température du réfrigérateur à « 0 » éteint le compresseur sans pour autant couper le courant qui alimente l'ampoule électrique et les autres composants électriques.

| GUIDE DE RÉGLAGE DE LA TEMPÉRATURE                 |                                                                                   |
|----------------------------------------------------|-----------------------------------------------------------------------------------|
| Si le compartiment du réfrigérateur est trop chaud | Tourner un peu la commande du réfrigérateur dans le sens de « Cold » (froid)      |
| Si le compartiment du réfrigérateur est trop froid | Tourner un peu la commande du réfrigérateur dans le sens de « Warm » (chaud)      |
| Si le compartiment du congélateur est trop chaud   | Tourner un peu la commande du congélateur dans le sens de « Colder » (plus froid) |
| Si le compartiment du congélateur est trop froid   | Tourner un peu la commande du congélateur dans le sens de « Warmer » (plus chaud) |
| Pour éteindre le réfrigérateur                     | Tourner la commande du réfrigérateur à « 0 »                                      |



## Vue de l'intérieur

**MISE EN GARDE** Pour éviter les risques de blessures ou les dommages matériels, manipuler avec précaution les clayettes en verre trempé. Les clayettes peuvent se briser soudainement si elles sont ébréchées, égratignées ou exposées à de brusques changements de température.

### RÉGLAGE DES CLAYETTES

Les clayettes du réfrigérateur peuvent être facilement ajustées selon les besoins. Avant d'ajuster les clayettes, enlever toute nourriture.

#### Pour régler les clayettes coulissantes :

- 1 Enlever la clayette en tirant vers l'avant jusqu'au point d'arrêt.
- 2 Soulever l'avant et tirer vers l'extérieur.

Replacer la clayette sur n'importe quelle paire de rails, en inversant cette procédure.

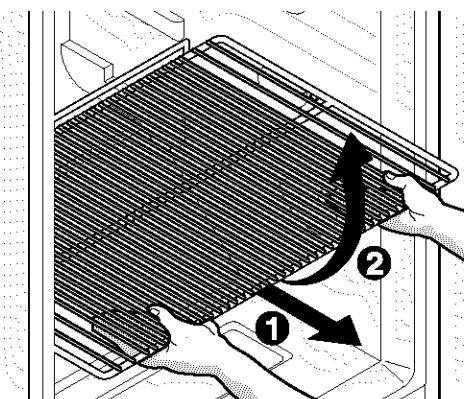
#### Pour régler les clayettes en porte-à-faux :

**REMARQUE:** Les clayettes en porte-à-faux sont supportées à l'arrière du réfrigérateur. Les clayettes en porte-à-faux sont offertes en verre ou en métal

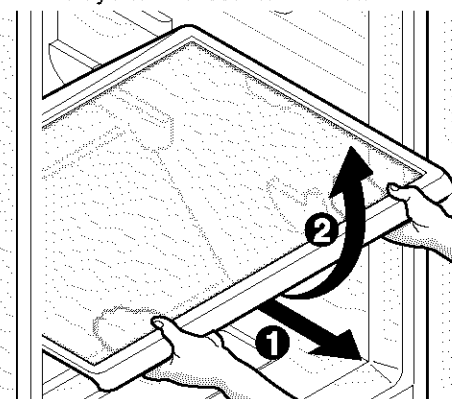
- 1 Soulever le rebord avant.
- 2 Tirer sur la clayette pour l'extraire

Replacer la clayette en insérant les crochets dans la crémaillère, au fond du réfrigérateur. Abaisser la clayette dans les fentes et verrouiller en position.

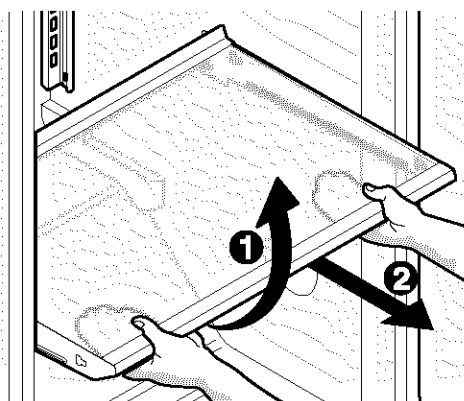
Les clayettes en verre *SpillProof™* (certains modèles) retiennent les déversements accidentels. Sur certains modèles, les clayettes en verre *SpillProof™* sont coulissantes pour faciliter le nettoyage et l'accès à la nourriture. Les clayettes coulissent indépendamment des crémaillères. Tirer tout simplement sur la clayette pour l'avancer. La clayette peut être allongée aussi loin que la butée le permet, mais elle ne peut **pas** être enlevée de la crémaillère.



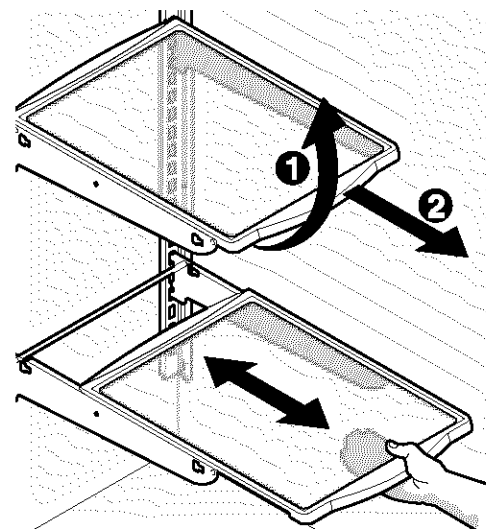
Clayette coulissante en métal



Clayette coulissante en verre



Clayettes en porte-à-faux en verre pleine grandeur



Clayettes en porte-à-faux en verre - Fixe et coulissante



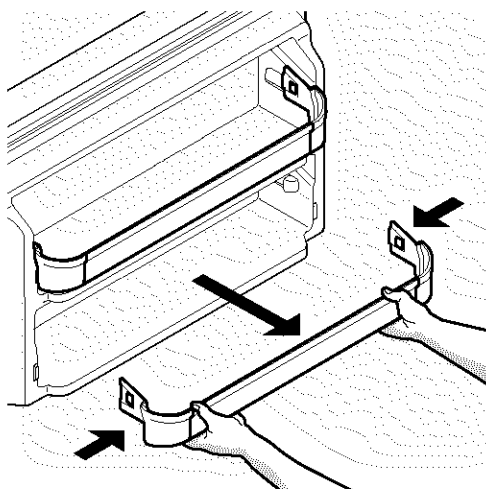
## Vue de l'intérieur (suite)

### PORTE ÉTAGÈRE

Les balconnets, les clayettes et les porte-bouteilles servent à ranger les pots, les bouteilles et boîtes. Les items les plus utilisés peuvent être sélectionnés rapidement.

Certains modèles ont des balconnets et des bacs de porte qui peuvent accommoder les bouteilles d'eau gazeuses de grand format et les bocaux de format économique. Certains balconnets se règlent pour offrir une plus grande capacité de rangement.

Le casier laitier, qui est moins froid que le reste du réfrigérateur, est conçu pour y ranger le fromage, les tartinades et le beurre pour de courtes périodes de temps.



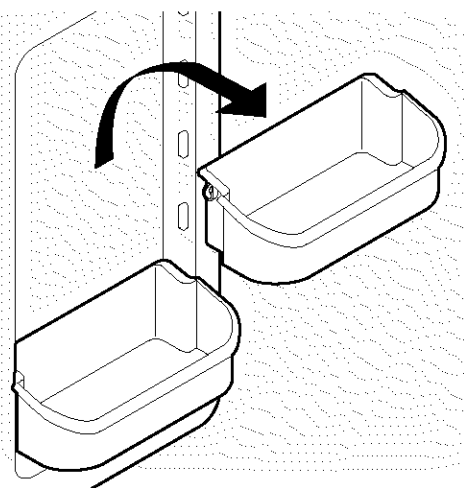
Étagère de porte

### BALCONNETS AMOVIBLES

Certains modèles comportent des balconnets amovibles qui peuvent être déplacés selon les besoins.

*Pour déplacer les balconnets*

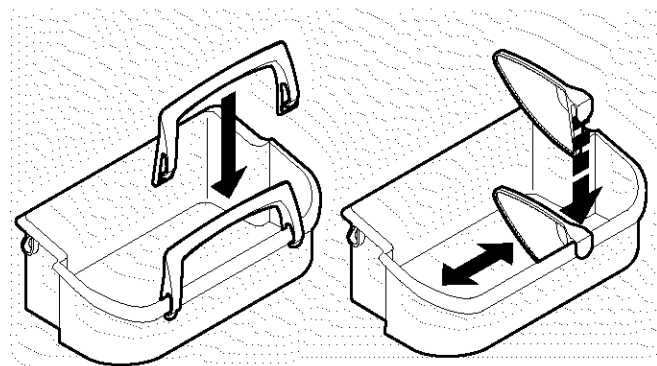
1. Soulever le balconnet.
2. Enlever le balconnet.
3. Replacer le balconnet à l'endroit désiré.
4. Enfoncer le bac dans les supports jusqu'à ce qu'il se verrouille en place.



Balconnet amovible

### BARRE DE RETENUE POUR GRANDES BOUTEILLES (CERTAINS MODÈLES)

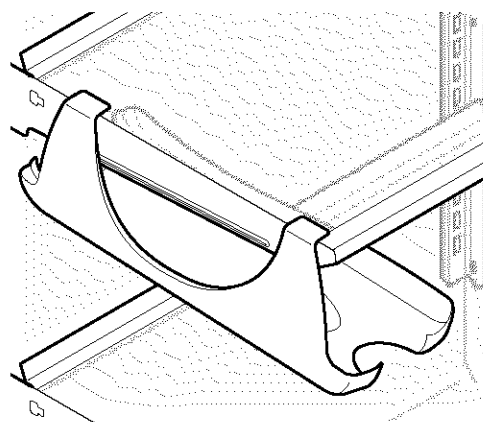
La barre de retenue pour grandes bouteilles permet de maintenir les bouteilles de grand format pendant l'ouverture et la fermeture de la porte. Pour installer la barre de retenue, la tenir par le haut et la faire glisser par-dessus la paroi du bac, tel qu'illustré dans le schéma. La barre de retenue fonctionne mieux avec la coulisse d'ajustement pour balconnet.



Barre de retenue pour grandes bouteilles (gauche) et coulisse d'ajustement pour balconnet (droit)

### SUPPORT D'ARTICLES PARTICULIERS (CERTAINS MODÈLES)

La conception innovatrice du support d'articles particuliers permet de déposer un paquet de 6 canettes de breuvage de 355 ml (12 oz.), une bouteille de vin, une bouteille de 2 litres de boisson gazeuse, ou une douzaine d'œufs. Le support d'articles particuliers s'installe sur le côté gauche de votre réfrigérateur. Pour l'installer, glissez simplement le support d'articles particuliers sur n'importe quelle tablette comme montré sur le dessin.



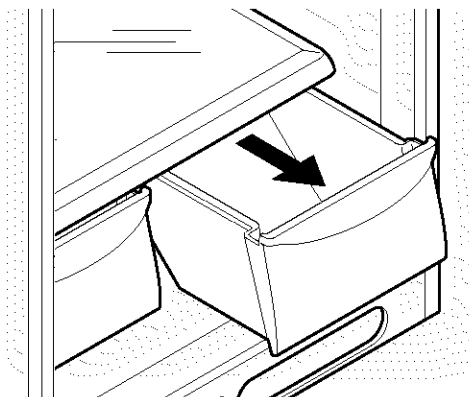
Support d'articles particuliers



## Vue de l'intérieur (suite)

### BAC À LÉGUMES (CERTAINS MODÈLES)

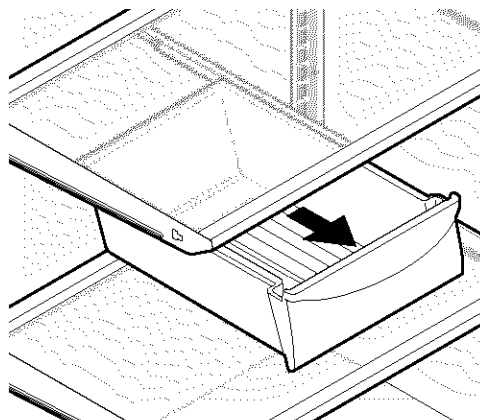
Les bacs à légumes, situés sous la clayette inférieure du réfrigérateur, sont conçus pour y placer les fruits, les légumes et les autres produits frais. Laver ces produits à l'eau fraîche et bien les faire égoutter avant de les placer dans les bacs à légumes. Les aliments qui ont une odeur forte ou un haut taux d'humidité doivent être emballés avant d'être rangés dans le réfrigérateur.



Bac à légumes

### BAC À CHARCUTERIE (CERTAINS MODÈLES)

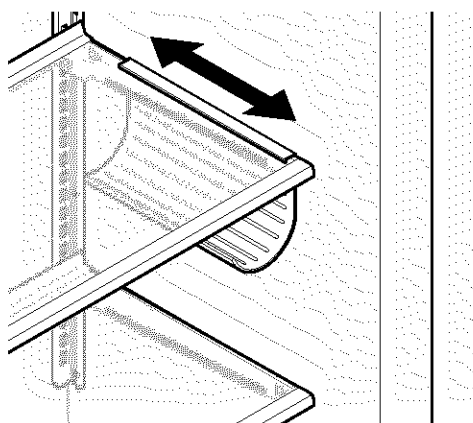
Certains modèles comportent un bac à charcuterie pour ranger les viandes froides, les tartinades, les fromages et les autres produits fins.



Bac à charcuterie

### PORTE-BOUTEILLES DE VIN (CERTAINS MODÈLES)

Les porte-bouteilles de vin permettent de ranger les bouteilles de vin, les bouteilles de jus ou de soda de deux litres. Pour installer le porte-bouteilles, le faire glisser sur la clayette en plaçant la partie incurvée vers l'intérieur. Pour l'enlever, le faire glisser vers l'extérieur. L'installer sur un des deux côtés de la clayette.

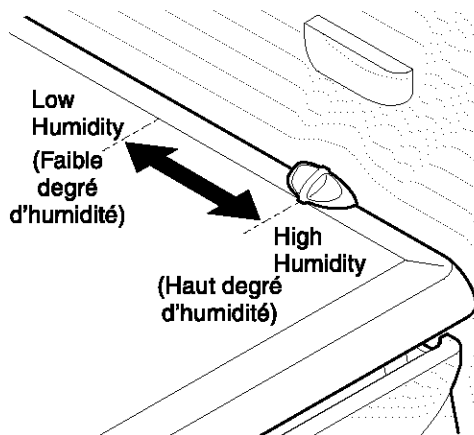


Porte-bouteilles de vin

### COMMANDE DE L'HUMIDITÉ (CERTAINS MODÈLES)

Certains modèles de bacs à légumes comportent une commande de l'humidité qui vous permet de contrôler le taux d'humidité à l'intérieur du bac. Cette commande permet de prolonger la vie des légumes frais qui se conservent mieux à un haut degré d'humidité.

**REMARQUE:** Les légumes-feuille se conservent mieux lorsque la commande de l'humidité est réglée à «**High Humidity**» (humidité élevée) ou dans un bac à légumes sans commande de l'humidité.



Commande de l'humidité du bac à légumes



## Fabrication de glace

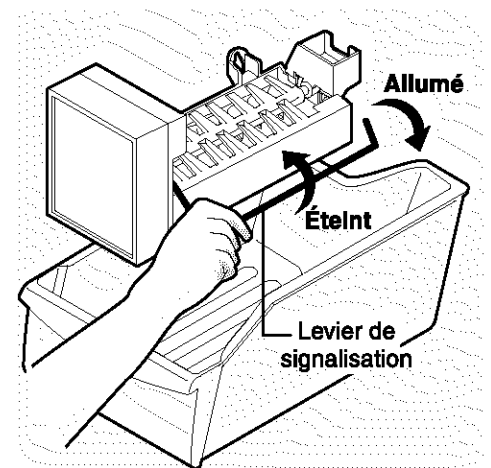
Si votre réfrigérateur comporte une glacière automatique, elle produira suffisamment de glaçons pour un usage normal. Cependant, pendant les 24 premières heures de la période de démarrage initial de votre réfrigérateur, la glacière ne produira pas de glaçons. Les glacières automatiques sont des accessoires en option qui peuvent être installés en tout temps sur la plupart des modèles. Contactez votre distributeur local pour plus d'informations.

### METTRE EN MARCHÉ VOTRE GLACIÈRE

Lorsque les conduits d'alimentation en eau sont installés, la soupape d'admission doit être ouverte. Placer le bac à glaçons sous la glacière, en le poussant aussi loin que possible. Rabaissier le levier de signalisation à sa position « ON » (allumé). L'utilisation de nouveaux conduits d'alimentation en eau peut amener la production de glaçons décolorés ou ayant un goût désagréable. Jeter ces premiers glaçons jusqu'à ce qu'ils ne présentent plus de décoloration ou de goût désagréable.

### ARRÊTER VOTRE GLACIÈRE

Pour éteindre la glacière, soulever le levier de signalisation à sa position « OFF » (éteint). De plus, la glacière s'éteint automatiquement lorsque le bac à glaçons est plein. Si votre modèle comporte une clayette de congélateur réglable, la placer à sa position la plus basse afin que le levier de signalisation touche à la glace lorsque le bac est plein.



Glacière

**MISE EN GARDE** Les produits chimiques provenant d'un système d'adoucisseur d'eau défectueux peuvent endommager la glacière. Si la glacière est connectée à un tel système, s'assurer qu'il est bien entretenu et qu'il fonctionne correctement.

### CONSEILS SUR LA FABRICATION DE GLAÇONS

- Les glaçons peuvent prendre un goût désagréable avec le temps. Vider le bac à glaçons et s'assurer que le levier de signalisation est à sa position « ON » (allumé). La glacière produira alors d'autres glaçons.
- De temps à autre, secouer le bac à glaçons pour maintenir les cubes de glace séparés.
- Maintenir le levier de signalisation à sa position élevée ou « OFF » (éteint) lorsque le réfrigérateur n'est pas relié au conduit d'alimentation en eau ou lorsque l'alimentation en eau est fermée.
- Lorsque la glacière fonctionne, les bruits suivants sont normaux :
  - Moteur qui fonctionne
  - Les glaçons qui se détachent du bac
  - Les glaçons qui tombent dans le bac
  - L'eau qui circule
  - La soupape d'admission qui s'ouvre et se ferme

**REMARQUE:** Pour plus d'informations à propos de ces fonctions, consulter la section « Bruits de fonctionnement normaux et aspects », à la page 55.

**MISE EN GARDE** Ne pas laver le bac à glaçons au lave-vaisselle.

- Laver le bac à glaçons avec de l'eau chaude et un détergent doux. Bien rincer et assécher.
- Arrêter la glacière lorsque vous nettoyez le congélateur et lorsque vous êtes absent pendant plusieurs jours.
- Si la glacière est arrêtée pour une longue période de temps, fermer la soupape d'admission de l'eau.



## Conseils pour la conservation des aliments et l'économie d'énergie

### CONSEILS SUR LA CONSERVATION DES ALIMENTS

#### Conservation des aliments frais

- Le compartiment pour la nourriture fraîche doit être maintenu entre 1,1 °C et 4,4 °C (34 °F et 40 °F), la température idéale étant 2,7 °C (37 °F).
- Éviter de surcharger les clayettes du réfrigérateur. Cela réduit la circulation d'air autour des aliments et amène un refroidissement inégal.

#### Fruits et légumes

- Les bacs à légumes emprisonnent l'humidité afin d'aider à conserver la qualité des fruits et des légumes pendant plus longtemps.

#### Viande

- La viande et la volaille non cuites doivent être bien emballées afin d'éviter la contamination des autres aliments et des surfaces.

#### Conservation des aliments congelés

- Le compartiment du congélateur doit être maintenu à une température de -17,7 °C (0 °F) ou moins.
- Les congélateurs fonctionnent plus efficacement lorsqu'ils sont remplis aux trois quarts.

#### Emballage pour la congélation

- Pour réduire la déshydratation et la détérioration de la nourriture, utiliser une feuille d'aluminium, une pellicule pour congélation, un sac pour congélation ou un contenant hermétique. Extraire autant d'air que possible et refermer hermétiquement. L'air peut assécher, décolorer ou altérer le goût de la nourriture (par brûlure au froid).
- Suremballer la viande et la volaille fraîche avec un emballage pour congélation approprié avant de congeler.
- Ne jamais congeler de nouveau de la viande décongelée.

#### Remplir le congélateur

- Éviter de placer trop de nourriture chaude dans le congélateur en même temps. Cela surcharge le congélateur, ralentit le taux de congélation et risque de faire augmenter la température des aliments congelés.
- Laisser de l'espace entre les emballages afin que l'air froid puisse circuler librement et que les aliments refroidissent aussi rapidement que possible.
- Éviter de ranger des aliments difficiles à congeler comme de la crème glacée et du jus d'orange dans la porte du congélateur. Il est préférable de ranger ces aliments à l'intérieur du congélateur où la température subit moins de variations.

### CONSEILS EN MATIÈRE D'ÉCONOMIE D'ÉNERGIE

- Placer le réfrigérateur à l'endroit le plus frais de la pièce, loin de la lumière directe du soleil et des tubulures ou des registres de chauffage. Ne pas placer le réfrigérateur près des appareils producteurs de chaleur comme une plaque chauffante, une cuisinière ou un lave-vaisselle. Si cela n'est pas possible, installez une section d'armoire ou ajoutez une couche supplémentaire d'isolant entre les deux appareils afin de permettre au réfrigérateur de fonctionner plus efficacement.
- Mettre le réfrigérateur à niveau afin que les portes se referment bien.
- Consulter ce manuel d'utilisation et d'entretien pour des suggestions de réglages de la commande de température.
- Nettoyer régulièrement le condenseur ce qui permet de maintenir l'efficacité du réfrigérateur. Consulter la fiche d'entretien et de nettoyage, à la page 56.
- Ne pas surcharger le réfrigérateur ni obstruer les volets d'entrée de l'air froid. Le réfrigérateur devra alors fonctionner plus longtemps et consommera plus d'énergie.
- Recouvrir les aliments et essuyer les contenants avant de les ranger au réfrigérateur. Ceci diminue l'accumulation d'humidité à l'intérieur de l'appareil.
- Organiser le réfrigérateur de manière à réduire la fréquence de l'ouverture de la porte. Retirer tous les items dont vous avez besoin en une seule fois et refermer immédiatement la porte.



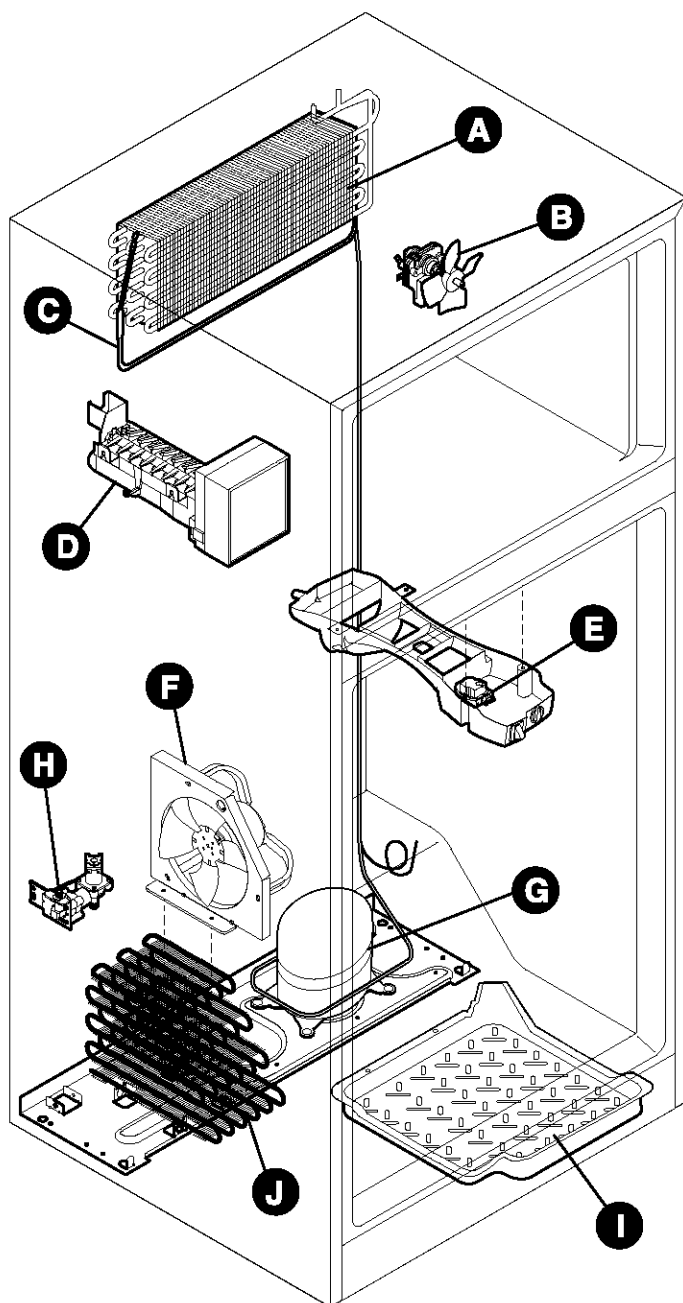


## Bruits de fonctionnement normaux et aspects

### IDENTIFIER LES SONS QUE VOUS ENTENDEZ

Votre nouveau réfrigérateur à rendement élevé peut émettre des sons avec lesquels vous n'êtes pas familier. Ne vous inquiétez pas, ces bruits sont normaux. Les surfaces dures, comme les planchers en vinyle ou en bois, les murs et les comptoirs de cuisine peuvent amplifier les sons. Vous trouverez ci-dessous la liste des bruits les plus communs que vous risquez d'entendre ainsi que leur cause.

**REMARQUES:** Les panneaux d'isolant-mousse permettent une bonne économie d'énergie, mais n'offrent pas d'isolation acoustique.



#### A. Évaporateur

Le liquide de refroidissement qui passe dans le circuit d'évaporation peut produire un bruit de gargouillis ou de bouillonnement.

#### B. Ventilateur de l'évaporateur

Il est possible que vous entendiez le bruit de l'air renvoyé dans le réfrigérateur par le ventilateur de l'évaporateur.

#### C. Chauffe-thermostat de décongélation

Pendant les cycles de décongélation, les gouttes d'eau qui tombent sur la chauffe-thermostat de décongélation peuvent produire un bruit de sifflement ou de grésillement. Après la décongélation, un bruit de craquement peut se produire.

**IMPORTANT:** Pendant le cycle de décongélation automatique, vous pourrez remarquer une lueur rouge dans les volets sur la paroi au fond du compartiment de votre congélateur. Ceci est normal pendant le cycle de décongélation.

#### D. Glacière automatique

Si votre réfrigérateur est équipé d'une glacière automatique, vous entendrez les cubes de glace tomber dans le bac à glaçons.

#### E. Thermostat et minuteur de décongélation

Ces composants peuvent produire des bruits de claquement ou des cliquetis lorsqu'ils allument ou éteignent le réfrigérateur. Le minuteur peut également émettre un tic-tac semblable à celui d'une horloge électrique.

#### F. Ventilateur du condenseur

Si les serpentins du condenseur se trouvent sous le réfrigérateur, comme sur l'illustration de gauche, c'est qu'il est équipé d'un ventilateur de condenseur. Il est possible que vous entendiez le bruit de l'air renvoyé dans le réfrigérateur par le ventilateur du condenseur.

#### G. Compresseur

Les compresseurs à haut rendement fonctionnent beaucoup plus rapidement que ceux des anciens modèles. Le compresseur peut produire un ronronnement aigu ou un bruit de pulsation.

#### H. Soupape

Si votre réfrigérateur est équipé d'une glacière automatique, vous entendrez un bruit de vibration lorsque la soupape s'ouvre pour remplir la glacière à chaque cycle.

#### I. Plateau de récupération (non amovible)

Il est possible que vous entendiez le bruit de l'eau qui coule dans le plateau de récupération pendant le cycle de décongélation. Le plateau de récupération sert pour les condenseurs refroidis par air et se trouve sur le dessus du compresseur (serpentins noirs à l'arrière du réfrigérateur).

#### J. Serpentins du condensateur (modèles à ventilation forcée seulement)



## Entretien et nettoyage

Toujours maintenir le réfrigérateur et le congélateur propres afin d'éviter l'apparition de mauvaises odeurs. Nettoyer immédiatement les déversements et laver les deux sections au moins deux fois par an. **Ne jamais** utiliser de tampon à récurer métallique, de brosses, de pâte abrasive ou de solution alcaline forte pour nettoyer les surfaces. **Ne jamais** laver les parties amovibles dans le lave-vaisselle. **Toujours débrancher le cordon d'alimentation électrique de la prise de courant murale avant de commencer le nettoyage.**

### ⚠ MISE EN GARDE

- Lorsque vous déplacez le réfrigérateur, toujours le maintenir à la verticale. **Ne pas faire balancer le réfrigérateur d'un côté à l'autre, ce qui pourrait endommager le revêtement du plancher. Si le réfrigérateur est équipé d'une glacière, prendre soin de ne pas le déplacer au-delà de la longueur des conduits d'alimentation en eau.**
- Les objets humides adhèrent aux surfaces froides en métal. **Ne pas toucher aux surfaces gelées avec les mains mouillées ou humides.**
- Nettoyer le condensateur régulièrement pour le maintenir en bon état et permettre au réfrigérateur de fonctionner le plus efficacement possible.

### REMARQUES:

- Tourner la commande de température du réfrigérateur à « 0 » éteint le compresseur sans pour autant couper le courant qui alimente l'ampoule électrique et les autres composants électriques.
- Ne pas utiliser de lames de rasoir ou d'autres instruments tranchants qui pourraient abîmer la surface de l'appareil pour enlever les étiquettes adhésives. Les résidus de colle des étiquettes et des rubans peuvent être enlevés avec un mélange d'eau chaude et de détergent doux ou en utilisant la surface collante de l'étiquette ou du ruban qui vient d'être enlevé. Ne pas enlever la plaque signalétique.

## Fiche d'entretien et de nettoyage

| Pièce                                                                     | Ce que vous devez utiliser                                                                                                                                         | Conseils et précautions                                                                                                                                                                                                                                                                                                                                                                                                                                                                            |
|---------------------------------------------------------------------------|--------------------------------------------------------------------------------------------------------------------------------------------------------------------|----------------------------------------------------------------------------------------------------------------------------------------------------------------------------------------------------------------------------------------------------------------------------------------------------------------------------------------------------------------------------------------------------------------------------------------------------------------------------------------------------|
| Revêtement intérieur / de la porte                                        | <ul style="list-style-type: none"> <li>• Eau et savon</li> <li>• Eau et bicarbonate de soude</li> </ul>                                                            | Utiliser 2 cuillères de kable de bicarbonate de soude dans ¼ litre (1 pinte) d'eau chade. <b>Bien essor l'éponge ou le chiffon avant de nettoyage autour des commandes, de l'ampoule électrique et de toutes les autres composantes électriques.</b>                                                                                                                                                                                                                                               |
| Jointe de porte                                                           | <ul style="list-style-type: none"> <li>• Eau et savon</li> </ul>                                                                                                   | Essuyer les joints avec un chiffon doux et propre.                                                                                                                                                                                                                                                                                                                                                                                                                                                 |
| Bacs / Balconnets                                                         | <ul style="list-style-type: none"> <li>• Eau et savon</li> </ul>                                                                                                   | Ne jamais laver les parties amovibles (balconnets, bacs, etc.) dans le lave-vaisselle.                                                                                                                                                                                                                                                                                                                                                                                                             |
| Clayettes en verre                                                        | <ul style="list-style-type: none"> <li>• Eau et savon</li> <li>• Nettoyage pour verre</li> <li>• Pulvérisateur liquide doux</li> </ul>                             | Laisser le verre se réchauffer à la température de la pièce avant de l'immerger dans de l'eau chaude.                                                                                                                                                                                                                                                                                                                                                                                              |
| Grillage inférieur                                                        | <ul style="list-style-type: none"> <li>• Eau et savon</li> <li>• Pulvérisateur liquide doux</li> <li>• Embout d'aspirateur</li> </ul>                              | Aspirer la poussière de l'avant du grillage inférieur. Enlever le grillage inférieur (Voir l'illustration à la page 44). Passer l'aspirateur sur l'arrière et essuyer avec un chiffon ou une éponge. Rincer et assécher.                                                                                                                                                                                                                                                                           |
| Surfaces extérieures et poignées                                          | <ul style="list-style-type: none"> <li>• Eau et savon</li> </ul>                                                                                                   | Ne pas utiliser de produits d'entretien ménager, d'ammoniaque ou d'alcool pour nettoyer les poignées.                                                                                                                                                                                                                                                                                                                                                                                              |
| Surfaces extérieures et poignées (Modèles en acier inoxydable uniquement) | <ul style="list-style-type: none"> <li>• Eau et savon</li> <li>• Ammoniaque</li> <li>• Nettoyants pour acier inoxydable</li> </ul>                                 | Nettoyer l'avant et les poignées en acier inoxydable avec de l'eau savonneuse. Utiliser de l'ammoniaque sur les taches rebelles. Utilisez un nettoyant non abrasif pour acier inoxydable. Ces nettoyants peuvent se procurer à la plupart des centre de rénovations ou aux principaux magasins à rayons.                                                                                                                                                                                           |
| Serpentins du condensateur (modèles à ventilation forcée seulement)       | <ul style="list-style-type: none"> <li>• Une brosse de nettoyage du condensateur est disponible chez votre dépositaire</li> <li>• Aspirateur électrique</li> </ul> | Il n'est pas nécessaire de nettoyer à moins que le réfrigérateur fonctionne dans un endroit particulièrement poussiéreux ou gras ou s'il y a plusieurs animaux domestiques à votre domicile. Si le nettoyage s'avère nécessaire, enlevez la plaque de protection et enlevez la poussière accumulée sur les serpentins du condensateur avec l'accessoire de rallonge d'un aspirateur électrique et la brosse de nettoyage du condensateur (Pour déterminer la localisation, voir "J" à la page 55). |
| Serpentins du condensateur (modèles à ventilation naturelle seulement)    | <ul style="list-style-type: none"> <li>• Aspirateur électrique</li> </ul>                                                                                          | Utiliser la brosse à épousseter de votre aspirateur pour enlever la poussière accumulée sur les serpentins du condenseur (tubes et fils noirs) fixés à l'arrière des réfrigérateurs refroidis par air.                                                                                                                                                                                                                                                                                             |
| Plateau d'évaporation                                                     | <ul style="list-style-type: none"> <li>• Eau et savon</li> </ul>                                                                                                   | Certains modèles comportent un plateau d'évaporation placé au-dessus du compresseur au bas du réfrigérateur (voir l'illustration à la page suivante). Essuyer le plateau d'évaporation avec un chiffon humide. REMARQUE: Le cabaret de réception d'eau de dégivrage n'est PAS détachable.                                                                                                                                                                                                          |

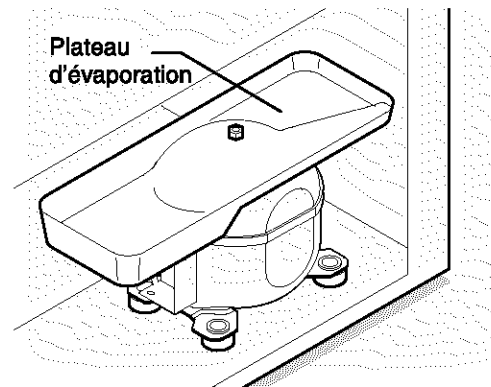


## Entretien et nettoyage (suite)

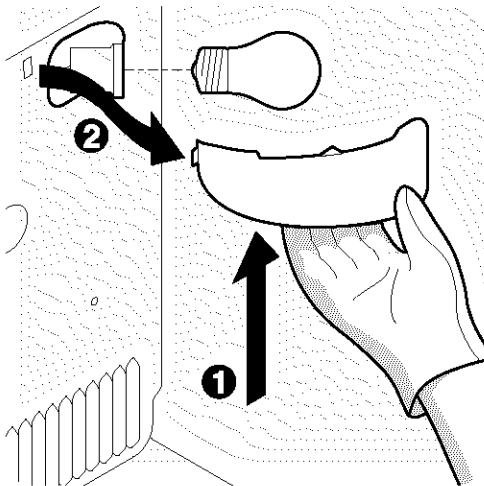
**⚠ MISE EN GARDE** Afin d'éviter les coupures, porter des gants pour remplacer les ampoules électriques.

### CHANGER L'AMPOULE ÉLECTRIQUE DU CONGÉLATEUR (CERTAINS MODÈLES)

1. Débrancher le réfrigérateur.
2. Porter des gants pour vous protéger au cas où il y aurait du verre brisé.
3. Déloger le pare-lumière tel qu'illustré.
4. Dévisser et remplacer l'ampoule grillée par une ampoule pour appareil électroménager du même wattage.
5. Replacer le pare-lumière.
6. Ne pas oublier de rebrancher le réfrigérateur.



Plateau d'évaporation non détachable (certains modèles)



### Conseils pour les vacances et les déménagements

|                                 |                                                                                                                                                                                                                                                                                                                                                                                                                                                                                                                                            |
|---------------------------------|--------------------------------------------------------------------------------------------------------------------------------------------------------------------------------------------------------------------------------------------------------------------------------------------------------------------------------------------------------------------------------------------------------------------------------------------------------------------------------------------------------------------------------------------|
| <b>Absences de courte durée</b> | <ul style="list-style-type: none"> <li>• Laisser le réfrigérateur fonctionner pendant les absences de 3 semaines ou moins.</li> <li>• Consommer tous les aliments périssables rangés dans la section du réfrigérateur.</li> <li>• Éteindre la glacière automatique, même si vous ne vous absentez que pour quelques jours.</li> </ul>                                                                                                                                                                                                      |
| <b>Absences de longue durée</b> | <ul style="list-style-type: none"> <li>• Enlever tous les aliments et la glace si vous vous absentez pour un mois ou plus.</li> <li>• Tourner la commande du réfrigérateur à "O" et débrancher le cordon d'alimentation.</li> <li>• Éteindre la glacière automatique et fermer la soupape d'admission d'eau.</li> <li>• Nettoyer entièrement l'intérieur de l'appareil.</li> <li>• Laisser les deux portes ouvertes afin d'éviter l'apparition d'odeur et de moisissure.. Bloquer les portes en position ouverte se nécessaire.</li> </ul> |
| <b>Déménagement</b>             | <ul style="list-style-type: none"> <li>• Enlever toute la nourriture et la glace.</li> <li>• Si vous utilisez un chariot, charger le réfrigérateur de côté.</li> <li>• Régler les pieds de nivellement à leur position la plus rétractée a fin de les protéger lors des déplacements.</li> <li>• Recouvrir le boîtier pour en protéger la surface.</li> </ul>                                                                                                                                                                              |

# ATTENTION

**Pour Installer correctement votre réfrigérateur,  
consulter la section «Installation», aux pages 44 et 45**

**OU**

**Pour inverser les portes, consulter la section «Dépose des  
portes et instructions pour l'inversion», aux pages 46 à 47**



## Avant d'appeler

| Problèmes courants                                                                           | Consulter cette liste avant de faire un appel de service. Ceci peut vous faire économiser temps et argent. Cette liste inclut les principales causes de problèmes qui ne sont pas causés par des défauts de matériaux.                                                                                                                                                                                                                       |
|----------------------------------------------------------------------------------------------|----------------------------------------------------------------------------------------------------------------------------------------------------------------------------------------------------------------------------------------------------------------------------------------------------------------------------------------------------------------------------------------------------------------------------------------------|
| Le réfrigérateur ne fonctionne pas.                                                          | <ul style="list-style-type: none"><li>• S'assurer que la fiche électrique est bien enfoncée dans prise de courant.</li><li>• Vérifier/remplacer le fusible par un fusible de temporisation de 15 ampères. Réarmer le disjoncteur.</li><li>• La commande de température est à « O » (éteint).</li><li>• Il est possible que le réfrigérateur soit dans un cycle de décongélation. Attendez 20 minutes avant de vérifier de nouveau.</li></ul> |
| La température du congélateur est trop froide. La température du réfrigérateur est adéquate. | <ul style="list-style-type: none"><li>• Régler la commande du congélateur à un réglage plus chaud jusqu'à ce que la température soit adéquate. Attendre 24 heures pour que la température se stabilise.</li></ul>                                                                                                                                                                                                                            |
| La température du réfrigérateur est trop froide. La température du congélateur est adéquate. | <ul style="list-style-type: none"><li>• Régler la commande du réfrigérateur à un réglage plus chaud. Attendre 24 heures pour que la température se stabilise. Vérifier la température du congélateur et régler au besoin.</li></ul>                                                                                                                                                                                                          |
| * Le réfrigérateur est bruyant ou vibre.                                                     | <ul style="list-style-type: none"><li>• L'appareil n'est pas à niveau.</li><li>• Le plancher n'est pas assez solide.</li></ul>                                                                                                                                                                                                                                                                                                               |
| Présence d'odeurs dans le réfrigérateur.                                                     | <ul style="list-style-type: none"><li>• L'intérieur a besoin d'être nettoyé.</li><li>• Les aliments qui dégagent une odeur forte doivent être emballés ou couverts.</li></ul>                                                                                                                                                                                                                                                                |
| L'ampoule ne fonctionne pas.                                                                 | <ul style="list-style-type: none"><li>• Remplacer l'ampoule électrique.</li><li>• S'assurer que la fiche électrique est bien enfoncée dans prise de courant.</li><li>• L'interrupteur est peut-être coincé. Appuyez sur l'interrupteur, situé sur le boîtier de commande du réfrigérateur, pour le décoincer.</li></ul>                                                                                                                      |
| La glacière automatique ne fonctionne pas (certains modèles).                                | <ul style="list-style-type: none"><li>• S'assurer que le levier de signalisation est en position élevée.</li><li>• La glacière doit produire entre 1,8 et 2,25 kg (4 et 5 lb) de glace en 24 heures.</li><li>• L'alimentation en eau est coupée.</li><li>• La pression d'eau est trop faible.</li><li>• Le congélateur n'est pas suffisamment froid.</li></ul>                                                                               |

\* Consulter la section «Bruit de fonctionnement normal et aspects», à la page 55.

# Get it fixed, at your home or ours!

For repair of major brand appliances **in your own home...**  
no matter who made it, no matter who sold it!

**1-800-4-MY-HOME®**  
(1-800-469-4663)

Anytime, day or night  
(U.S.A. and Canada)

[www.sears.com](http://www.sears.com)

[www.sears.ca](http://www.sears.ca)

---

For repair of carry-in products like vacuums, lawn equipment,  
and electronics, call for the location of your nearest  
**Sears Parts and Repair Center.**

**1-800-488-1222** Anytime, day or night (U.S.A. only)

[www.sears.com](http://www.sears.com)

---

For the replacement parts, accessories and owner's manuals  
that you need to do-it-yourself, call **Sears PartsDirect™!**

**1-800-366-PART**  
(1-800-366-7278)

6 a.m. — 11 p.m. CST, 7 days a week  
(U.S.A. only)

[www.sears.com/partsdirect](http://www.sears.com/partsdirect)

---

To purchase or inquire about a **Sears Service Agreement**  
or **Sears Maintenance Agreement:**

**1-800-827-6655** (U.S.A.)

7 a.m. — 5 p.m. CST, Mon. — Sat.

**1-800-361-6665** (Canada)

9 a.m. — 8 p.m. EST, M — F, 4 p.m. Sat.

---

Para pedir servicio de reparación a  
domicilio, y para ordenar piezas:

**1-888-SU-HOGAR™**  
(1-888-784-6427)

Au Canada pour service en français:

**1-877-LE-FOYER™**  
(1-877-533-6937)  
[www.sears.ca](http://www.sears.ca)

**SEARS**  
HomeCentral®

®Registered Trademark/™ Trademark/SM Service Mark of Sears, Roebuck and Co.

®Marca Registrada /™ Marca de Fábrica /SM Marca de Servicio de Sears, Roebuck and Co.

MC Marque de commerce /MD Marque déposée de Sears, Roebuck and Co.

©Sears, Roebuck and Co.