



EN

Job Site Radio

Instruction manual

FRCA

Radio de chantier

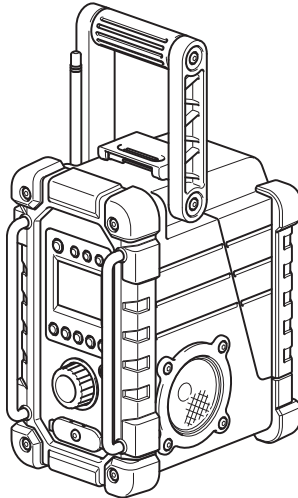
Manuel d'instructions

ESMX

Radio de Trabajo

Manual de instrucciones

XRM05

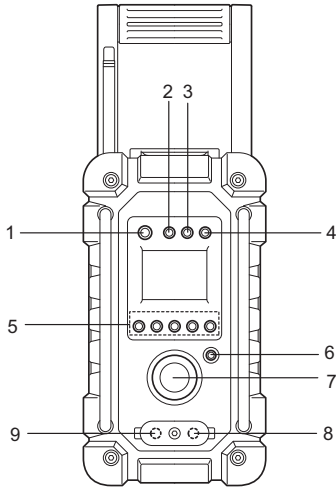


IMPORTANT: Read Before Using.

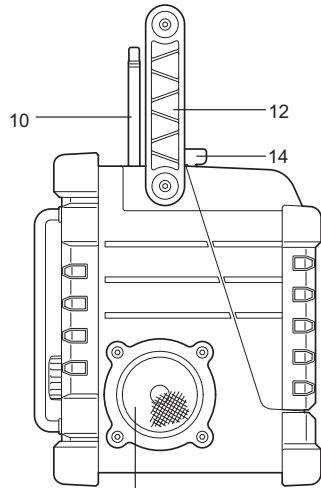
IMPORTANT : Lisez les instructions avant l'utilisation.

IMPORTANTE: Leer antes de usar.



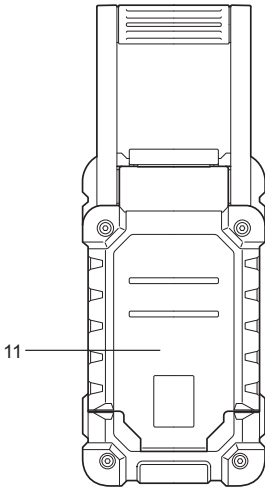


(21)

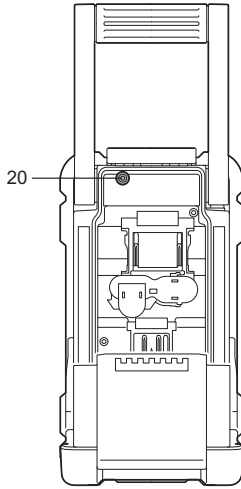


(22)

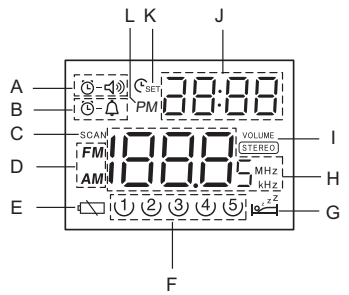
13

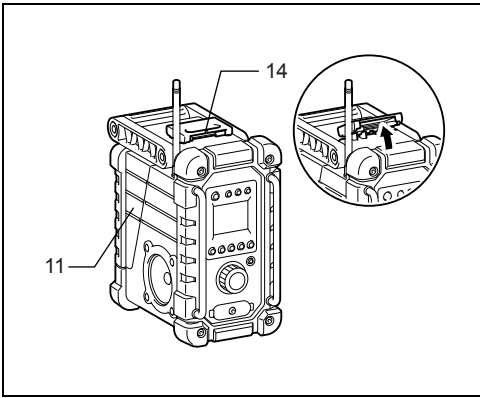


(23)

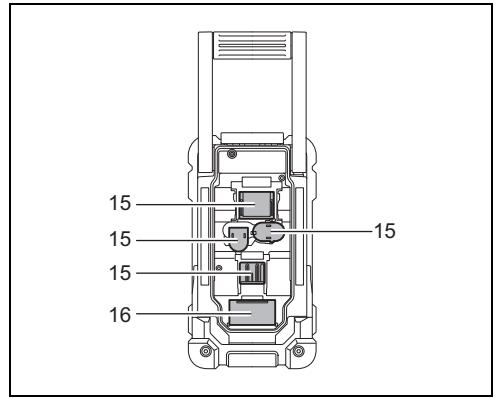


(24)

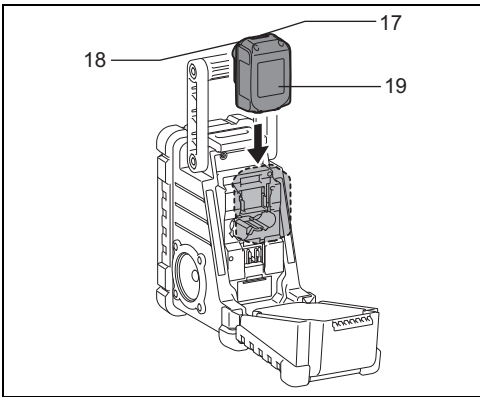




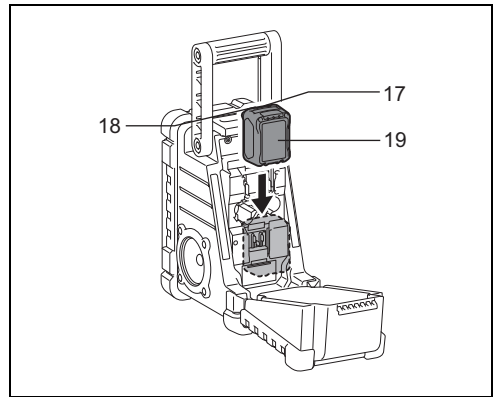
2



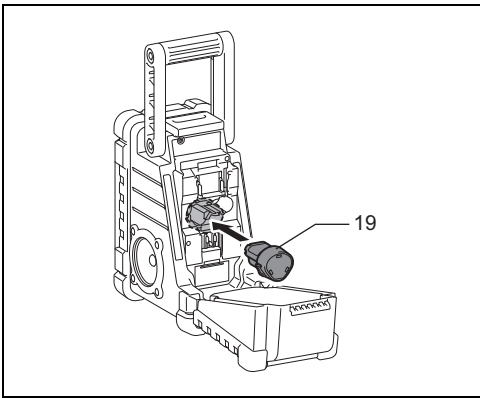
3



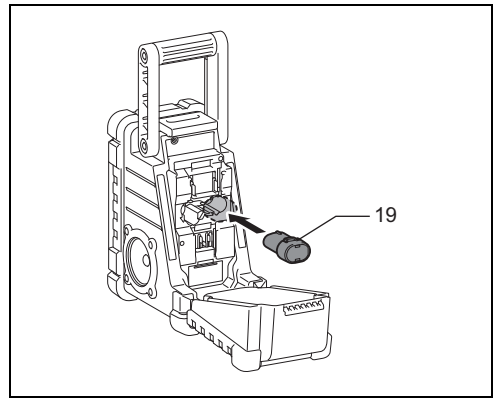
4



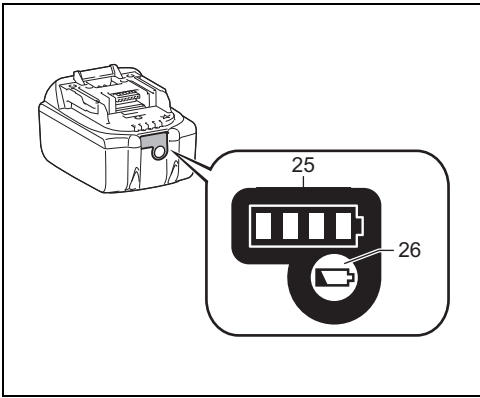
5



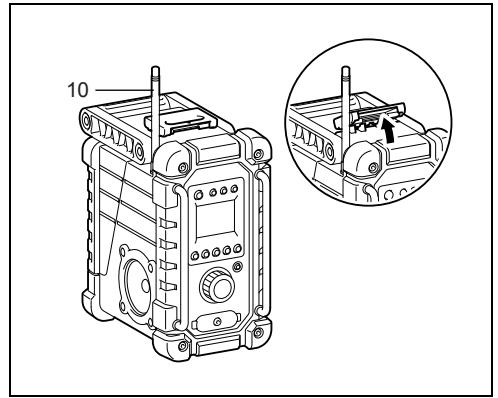
6



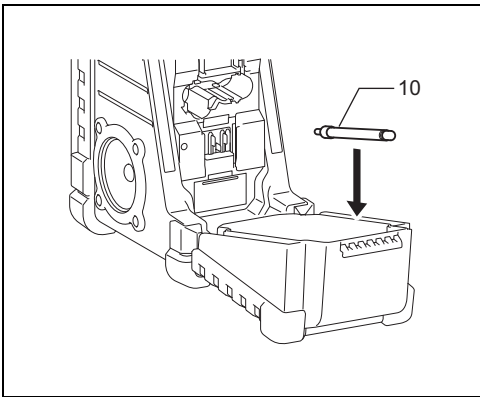
7



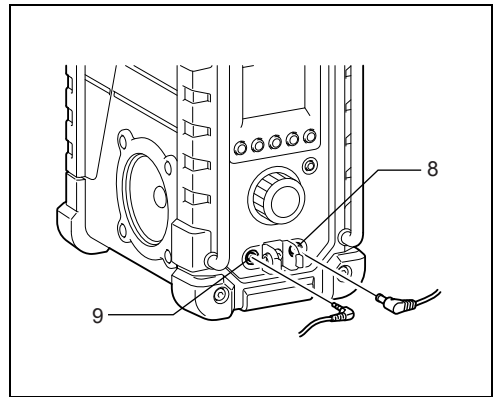
8



9



10



11

ENGLISH (Original instructions)


IMPORTANT SAFETY INSTRUCTIONS

WARNING:

When using electric tools, basic safety precautions should always be followed to reduce the risk of fire, electric shock, and personal injury, including the following:

1. Read this instruction manual and the charger instruction manual carefully before use.
2. Clean only with dry cloth.
3. Do not block any ventilation opening. Install in accordance with the manufacturer's instruction.
4. Do not install near any heat sources such as radiators, heat registers, stoves, or other apparatus (including amplifiers) that produce heat.
5. Only use attachments/accessories specified by the manufacturer.
6. Unplug this apparatus during lightning storms or when unused for long periods of time.
7. A battery operated radio with integral batteries or a separate battery pack must be recharged only with the specified charger for the battery. A charger that may be suitable for one type of battery may create a risk of fire when used with another battery.
8. Use battery operated radio only with specifically designated battery packs. Use of any other batteries may create a risk of fire.
9. When battery pack is not in use, keep it away from other metal objects like: paper clips, coins, keys, nails, screws, or other small metal objects that can make a connection from one terminal to another. Shorting the battery terminals together may cause sparks, burns, or a fire.
10. Avoid body contact with grounded surfaces such as pipes, radiators, ranges and refrigerators. There is an increased risk of electric shock if your body is grounded.
11. Under abusive conditions, liquid may be ejected from the battery; avoid contact. If contact accidentally occurs, flush with water. If liquid contacts eyes, additionally seek medical help. Liquid ejected from the battery may cause irritation or burns.

SAVE THESE INSTRUCTIONS.

 **CAUTION:** Only use genuine Makita lithium-ion batteries. Use of non-genuine Makita batteries, or batteries that have been altered, may result in the battery bursting causing fires, personal injury and damage.

SPECIFIC SAFETY RULES

FOR BATTERY CARTRIDGE

1. Before using battery cartridge, read all instructions and cautionary markings on (1) battery charger, (2) battery, and (3) product using battery.
2. Do not disassemble battery cartridge.
3. If operating time has become excessively shorter, stop operating immediately. It may result in a risk of overheating, possible burns and even an explosion.
4. If electrolyte gets into your eyes, rinse them out with clear water and seek medical attention right away. It may result in loss of your eyesight.
5. Do not short the battery cartridge:
 - (1) Do not touch the terminals with any conductive material.
 - (2) Avoid storing battery cartridge in a container with other metal objects such as nails, coins, etc.
 - (3) Do not expose battery cartridge to water or rain. A battery short can cause a large current flow, overheating, possible burns and even a breakdown.
6. Do not store the tool and battery cartridge in locations where the temperature may reach or exceed 50°C (122°F).
7. Do not incinerate the battery cartridge even if it is severely damaged or is completely worn out. The battery cartridge can explode in a fire.
8. Be careful not to drop or strike battery.
9. Do not use dropped or struck battery. (Do not use a damaged battery.)

For United States:

Cautions to the user

The changes or modifications not expressly approved by the party responsible for compliance could void the user's authority to operate the equipment.

RF exposure statements

IMPORTANT NOTE: To comply with the FCC RF exposure compliance requirements, the antenna(s) used for this transmitter must be installed to provide a separation distance of at least 20 cm from all persons and must not be co-located or operating in conjunction with any other antenna or transmitter. No change to the antenna or the device is permitted. Any change to the antenna or the device could result in the device exceeding the RF exposure requirements and void user's authority to operate the device.

Note: This equipment has been tested and found to comply with the limits for a Class B digital device, pursuant to part 15 of the FCC Rules. These limits are designed to provide reasonable protection against harmful interference in a residential installation. This equipment generates, uses and can radiate radio frequency energy and, if not installed and used in accordance with the instructions, may cause harmful interference to radio communications. However, there is no guarantee that interference will not occur in a particular installation. If this equipment does cause harmful interference to radio or television reception, which can be determined by turning the equipment off and on, the user is encouraged to try to correct the interference by one or more of the following measures:

- Reorient or relocate the receiving antenna.
- Increase the separation between the equipment and receiver.
- Connect the equipment into an outlet on a circuit different from that to which the receiver is connected.
- Consult the dealer or an experienced radio/TV technician for help.

Features:

- AM/FM-stereo PLL Synthesized
- Large LCD display with illumination
- Manual/Preset/Scan tuning
- Rotary tuning and volume control
- 5 preset stations each band
- Time and 2 alarm timers (radio and HWS buzzer) with Snooze
- Adjustable sleep (auto shut off) timer
- Stereo speaker for rich sound performance
- Ultra rugged design
- Water resistant to IPX 4
- Powered by both Makita battery pack and supplied power adaptor

Explanation of general view (Fig. 1)

Controls:

1. Power and Sleep timer
2. Band and Mono button
3. Radio alarm set
4. Buzzer alarm set
5. Preset stations
6. Scan tuning and Time set
7. Tuning/Volume control knob
8. DC IN socket
9. Input terminal (AUX IN1)
10. Soft bended rod antenna
11. Battery compartment (covering main battery pack and back up batteries)
12. Handle
13. Speaker
14. Battery compartment locker
15. Main battery compartment
16. Back up battery compartment
17. Red indicator
18. Button
19. Battery cartridge
20. Input terminal (AUX IN2)
21. Front
22. Right
23. Back; Battery cover closed
24. Back; Battery cover opened
25. Indicator lamps
26. Check button

LCD display:

- A. Radio alarm
- B. HWS buzzer alarm
- C. Scan tuning
- D. Band Indicator
- E. Low battery indicator
- F. Preset stations
- G. Sleep and Snooze status
- H. Frequency
- I. Stereo symbol and Volume
- J. Clock
- K. Time set
- L. PM for clock

Battery installation

Note:

Keeping back up batteries inside the compartment prevent stored data in preset memories from being lost.


Back up battery installation

1. Pull out the battery compartment locker to release battery compartment. There are main battery pack compartment and back up battery compartment. (Fig. 2 & 3)
2. Remove back up battery compartment cover and insert 2 fresh UM-3 (AA sizes). Make sure the batteries are with correct polarity as shown inside the compartment. Replace the battery cover.
3. After back up batteries are inserted, insert the main battery pack to power radio. The suitable battery packs for this radio listed as the following table.

The following tables indicate the operating time on a single charge.

Battery capacity	Battery Cartridge Voltage				AT SPEAKER OUTPUT = 50 mW + 50 mW unit Hour (APPROX.)
	7.2 V	10.8 V – 12V max	14.4 V	18 V	Radio/AUX
1.0 Ah	BL7010				7.0
1.3 Ah		BL1014			8.5
			BL1415	BL1815	9.0
1.5 Ah	BL0715				10
		BL1016			9.5
			BL1415N	BL1815N	10
2.0 Ah		BL1021B			13
				BL1820	14
				BL1820B	
3.0 Ah			BL1430		20
			BL1430B		
				BL1830	21
			BL1830B		
4.0 Ah		BL1041B			26
			BL1440		27
				BL1840	28
			BL1840B		
5.0 Ah			BL1450		34
				BL1850	
				BL1850B	
6.0 Ah			BL1460B		41
				BL1860B	42

 : Cluster Battery

 : Slide Battery

Note:

Table regarding to the battery operating time above is for reference. The actual operating time may differ with the type of the battery, charging condition, or usage environment.


Installing or removing Slide battery cartridge (Fig. 4 & 5)

- To install the battery cartridge, align the tongue on the battery cartridge with the groove in the housing and slip it into place. Always insert it all the way until it locks in place with a little click.
- If you can see the red indicator on the upper side of the button, it is not locked completely. Install it fully until the red indicator cannot be seen. If not, it may accidentally fall out of the tool, causing injury to you or someone around you.
- Do not use force when installing the battery cartridge. If the cartridge does not slide in easily, it is not being inserted correctly.
- To remove the battery cartridge, slide it from the tool while sliding the button on the front of the cartridge or pressing the buttons on both sides of the cartridge.

Installing or removing Cluster battery cartridge (Fig. 6 & 7)


- Pull the supporting bar to allow the battery to insert to the terminal.
- To insert the battery cartridge, align the tongue on the battery cartridge with the groove in the housing and slip it into place.
- Release the supporting bar.
- To remove the battery cartridge, pull the supporting bar and take the battery out of the terminal.

Return the battery compartment locker to the original position.

Reduced power, distortion and a "stuttering sound" or low battery sign  that appears on the display are all the signs that the main battery pack needs to replace.

Note:








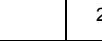

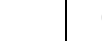

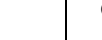






The battery pack can't be charged via the supplied AC power adaptor.

When low battery sign  appears and an "E" keeps on flashing is the time to replace the back up batteries.

Indicating the remaining battery capacity (Fig. 8)

Only for battery cartridges with "B" at the end of the model number

Press the check button on the battery cartridge to indicate the remaining battery capacity. The indicator lamps light up for few seconds.

Indicator lamps			Remaining capacity
 Lighted	 Off	 Blinking	
			75% to 100%
			50% to 75%
			25% to 50%
			0% to 25%
			Charge the battery.
 	 	 	The battery may have malfunctioned.

015658

Note:

- Depending on the conditions of use and the ambient temperature, the indication may differ slightly from the actual capacity.

Use of non-genuine Makita batteries, or batteries that have been altered, will void the Makita warranty for the Makita tool and charger.

Installing the soft bended rod antenna (Fig. 9 & 10)

Install the soft bended rod antenna as shown in the figure.

Note:

There is a click in the battery compartment designed to store the removed antenna.

Using Supplied AC power adaptor (Fig. 11)

Remove the rubber protector and insert the adaptor plug into the DC socket on the front side of the radio. Plug the adaptor into a standard mains socket outlet. Whenever the adaptor is used, the battery pack is automatically disconnected. The AC adaptor should be disconnected from the main supply when not in use.

Note:

When your radio has any interference in AM band by its adaptor, please move your radio away from its AC adaptor over 30 cm.

Setting the clock

- Clock can be set either when the radio is power on or off.
- Display will show "-: -:" when the back up batteries are installed.

3. Long press the time set button C_{SET} for more than 2 seconds, display will flash time set symbol C_{SET} and also the hour digit, followed by a beep.
4. Rotate Tuning/Volume control knob to set the required hour.
5. Press C_{SET} button to confirm hour setting, the minute digit will flash.
6. Rotate Tuning/Volume control knob to set the required minute.
7. Press the C_{SET} button again to complete clock setting.

Operating the radio

This radio equips with three tuning methods - Scan tuning, Manual tuning and Memory presets recall.

Scan Tuning

1. Press the Power button to turn on the radio.
2. Select the required waveband by pressing the Band button. Make sure the rubber bended rod antenna has been well placed for best FM reception. For AM (MW) band, rotate the radio to get best signal. Try to avoid operating the radio next to computer screen and other equipment which will cause interference to the radio.
3. Press and release Scan button (long press Scan button more than 2 seconds will activate time setting), LCD display will flash Scan symbol and the radio will search and stop automatically when it finds a radio station. Press the Scan button again to pick up the found station.

Note:

A stereo symbol will appear on the display, if the station found is a stereo station.

Note:

The radio will continue to search next available stations if you do not press Scan button again when it finds a radio station.

4. Rotate the Tuning/Volume control knob to get required sound level. LCD display will show sound level changes.

Note:

During operating volume control, you can press in Tuning/Volume control knob to change volume control to tuning control status.

5. To turn off the radio, press the Power button. Display will show OFF.

Manual Tuning

1. Press the Power button to turn on the radio.
2. Select the required waveband by pressing the Band button. Adjust the antenna as described above.
3. A single rotary to the Tuning/Volume control knob will change the frequency in the following increment:
FM: 50 or 100 kHz
AM (MW): 9 or 10 kHz

Note:

If the radio is in volume control status, press in the tuning/volume control to become Tuning status.

4. Keep on rotating the Tuning/Volume control knob until the required frequency shown on the display.
5. Rotate the Tuning/Volume control knob to get required sound level.
6. To turn off the radio, press the Power button. Display will show OFF.

Storing stations in preset memories

There are 5 memory presets for each waveband.

1. Press the Power button to turn on the radio.
2. Tune to required station using one of the methods previously described.
3. Press and hold down the required preset until radio beeps. The preset number will appear in the display and the station will be stored under chosen preset button.
4. Repeat this procedure for the remaining presets.
5. Stations stored in preset memories can be overwritten by following above procedures.

Recall stations from preset memories

1. Press the Power button to turn on the radio.
2. Select the required waveband.
3. Momentarily press the required Preset button, the preset number and station frequency will appear in the display.

Setting the radio alarm

When the radio alarm is selected, the radio will turn on and play the chosen radio station at the chosen alarm time. The radio alarm will continue for one hour unless turned off by pressing the Power button. Pressing the Power button whilst the alarm is activated will cancel the alarm for 24 hours.

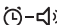

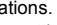
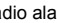
Note:

When the radio is in low battery status, the radio alarm can't be activated.

a. Setting radio alarm time:

1. The radio alarm can be set either when radio is on or off.
2. Press and release radio alarm button C_{ALARM} , the radio alarm symbol will flash.
3. During radio alarm symbol flashing, press C_{SET} button for more than 2 seconds followed by a beep.
4. Display Hour will flash, rotate Tuning/Volume control knob to select the hour then press C_{SET} button again to confirm hour setting.
5. Follow same procedures of setting hour to set required minute. Press C_{SET} button to complete alarm time setting.

b. Setting radio alarmed station

1. During setting radio alarm time and radio alarm symbol is flashing, press Band button to activate the radio to select required wake-up band and station by manual tuning and recall the preset stations. Press  button to complete radio alarm setting. Display will show .
2. When above radio alarm time and station are set, press and hold down radio alarm button  for 2 seconds followed by a beep to switch alarm on or off. Display will show  when radio alarm is set.

Note:

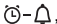
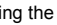


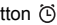

If new radio alarm station is not selected, it will select the last alarm station.

Setting the HWS (Humane Wake System) buzzer alarm


A beep tone will activate when selecting the HWS buzzer alarm.

The alarm beep will become shorter every 15 seconds for one minute followed by one minute silence before repeating the cycle.

The HWS alarm will sound for one hour until turning off by pressing the Power button. Press the Power button whilst the alarm is activated will cancel the alarm for 24 hours.

1. The HWS buzzer alarm can be set either radio is on or off.
2. Press and release the HWS buzzer alarm button , the symbol will flash.
3. During the symbol flashes, long pressing the  button for more than 2 seconds followed by a beep and display Hour digit will flash.
4. Rotate Tuning/Volume control knob to select required alarm hour, then press time set button  again. The minute digit will then flash.
5. Rotate Tuning/Volume control knob to select required alarm minute, the press time set button  again to complete HWS buzzer alarm setting.
6. Press and hold down buzzer alarm button  for more than 2 seconds followed by a beep to switch on or off the HWS buzzer alarm.
Display will appear  when buzzer alarm has been set.

Snooze function


1. Whilst the alarm is activated, pressing any buttons except the Power button will activate the snooze function. The radio or HWS buzzer alarm will be silenced with interval of 5 minutes.
2. The display will flash both the snooze symbol  and the alarm symbol. The snooze function can be repeatedly during one hour that the alarms are active.

Sleep function

The sleep timer will automatically switch off the radio after a preset time has elapsed.

1. Press and continue to hold down the Power button for more than 2 seconds, followed by a beep tone, the

display will cycle through the available sleep times in the order 60-45-30-15-120-90-60.

Release the Power button when the required sleep time appears in the display. The symbol  will appear in the display and the radio will play the last station selected.

2. To cancel the sleep function, press the Power button. The Symbol will disappear and radio is off.

Display illumination

Press any buttons or rotate Tuning/Volume control knob will illuminate the LCD display for approx. 15 seconds. During scanning stations and alarm activated, will also automatically illuminate the display.

Change Stereo to Mono

When the stereo FM station reception is weak, you can improve it by pressing Mono button for 2 seconds. The sound is no longer in stereo and stereo indicator disappears.

How to play other audios

CAUTION:

Unplug this apparatus before connecting other audios.

- There are 2 AUX in sockets. AUX 1 is located on the front panel, and AUX 2 is located in the battery compartment.
- Connect a stereo or mono source (i.e. iPod, MP3, or CD player) to either AUX 1 or AUX 2 by audio cord.
- Repeatedly press and release the Band button until "AU1" or "AU2" is displayed, then AUX function is activated.
- AUX can't be activated as alarm source.

MAINTENANCE

CAUTION:

- Never use gasoline, benzine, thinner, alcohol or the like. Discoloration, deformation or cracks may result.

Specifications:

Power Requirements

AC power adaptor DC12 V 700 mA, center pin positive

Battery

UM-3 (AA size) x 2 for back up
Cluster battery: 7.2 V - 10.8 V
Slide battery: 10.8 V - 18 V

Frequency coverage

FM 87.50 - 108 MHz
(0.1 MHz/step)
AM (MW) 520 - 1,710 kHz
(10 kHz/step)

Circuit feature

Loudspeaker

3 inches 8 ohm

Output Power

7.2 V: 0.5 W x 2, 10.8 V: 1.2 W x 2,
14.4 V: 2.2 W x 2, 18 V: 3.5 W x 2

Input terminal

3.5 mm dia. (AUX IN1/AUX IN2)

Antenna system

FM: soft bended rod antenna
AM: bar antenna

Dimension (W x H x D) in mm

280 x 302 x 163

(11" x 11-7/8" x 6-3/8")

Weight

Battery cartridge	(kg)	(lbs)
(Without battery)	4.0	8.9
BL0715	4.1	9.1
BL7010		
BL1014	4.2	9.3
BL1016		
BL1021B		
BL1415	4.3	9.5
BL1415N		
BL1041B	4.4	9.7
BL1815		
BL1815N		
BL1820		
BL1820B		
BL1430	4.5	10.0
BL1430B		
BL1440		
BL1450		
BL1460B		
BL1830	4.6	10.2
BL1830B		
BL1840		
BL1840B		
BL1850		
BL1850B		
BL1860B		


CONSIGNES DE SÉCURITÉ IMPORTANTES

AVERTISSEMENT :

Lors de l'utilisation d'outils électriques, il faut toujours prendre des précautions élémentaires de sécurité, dont les suivantes, pour réduire les risques d'incendie, de décharge électrique et de blessure.

1. Lisez attentivement ce manuel d'instructions et celui du chargeur avant l'utilisation.
2. Nettoyez uniquement avec un chiffon sec.
3. Ne bloquez aucun orifice de ventilation. Installez conformément aux instructions du fabricant.
4. Ne pas installer près de sources de chaleur telles que des radiateurs, des grilles de chauffage, des fourneaux ou tout autre appareil (y compris des amplificateurs) produisant de la chaleur.
5. N'utilisez que les accessoires spécifiés par le fabricant.
6. Débranchez cet appareil en cas d'orages ou d'inutilisation pendant des périodes prolongées.
7. Une radio alimentée par une batterie avec des batteries intégrées ou un pack de batterie distinct ne doit être rechargée qu'avec le chargeur spécifié pour la batterie. Un chargeur conçu pour un certain type de batterie risque de déclencher un incendie s'il est utilisé avec une autre batterie.
8. N'utilisez la radio alimentée par batterie qu'avec des batteries spécifiques. D'autres batteries risqueraient de vous blesser ou de provoquer un incendie.
9. Lorsque vous n'utilisez pas la batterie, rangez-la à l'écart des objets tels que : trombones, pièces de monnaie, clés, clous, vis et autres petits objets métalliques qui risquent d'établir une connexion entre les bornes. Un court-circuit entre les bornes de la batterie peut provoquer des étincelles, des brûlures ou un incendie.
10. Évitez de toucher des surfaces mises à la masse ou à la terre telles que tuyaux, radiateurs, cuisinières et réfrigérateurs. Ce faisant, vous vous exposeriez à un choc électrique.
11. Dans des conditions d'utilisation inadéquates de la batterie, il peut y avoir fuite d'électrolyte. En cas de contact accidentel, rincez avec beaucoup d'eau. Si du liquide entre en contact avec les yeux, consultez un médecin. Le liquide qui gicle de la batterie peut provoquer des irritations ou des brûlures.

CONSERVEZ CE MODE D'EMPLOI.

 **ATTENTION :** Utilisez uniquement des batteries au lithium-ion Makita d'origine. L'utilisation de batteries autres que les batteries d'origine Makita, ou encore de batteries qui ont été modifiées peut entraîner l'explosion de la batterie et provoquer des incendies, des blessures et d'autres dommages.

RÈGLES DE SÉCURITÉ PARTICULIÈRES

POUR LA BATTERIE

1. Avant d'utiliser la batterie, lisez toutes les instructions et précautions relatives (1) au chargeur de batterie, (2) à la batterie et (3) à l'appareil utilisant la batterie.
2. Ne démontez pas la batterie.
3. Cessez immédiatement l'utilisation si le temps de fonctionnement devient excessivement court. Il existe un risque de surchauffe, de brûlures, voire d'explosion.
4. Si de l'électrolyte pénètre dans vos yeux, rincez-les avec de l'eau et consultez immédiatement un médecin. Il existe un risque de cécité.
5. Ne court-circuitez pas la batterie :
 - (1) Ne touchez pas les bornes avec un matériau conducteur.
 - (2) Évitez de ranger la batterie dans un conteneur avec tout objet métallique tel que des clous, des pièces de monnaie, etc.
 - (3) N'exposez pas la batterie à l'eau ou à la pluie. Un court-circuit peut causer un fort courant, une surchauffe, parfois des brûlures et même une panne de l'outil.
6. Ne rangez pas l'outil ou la batterie dans des endroits où la température risque d'atteindre ou de dépasser 50 °C (122 °F).
7. Ne jetez pas la batterie au feu même si elle est sérieusement endommagée ou complètement épuisée. Au contact du feu, la batterie peut exploser.
8. Évitez de faire tomber ou de heurter la batterie.
9. N'utilisez pas la batterie si elle est tombée ou si elle a été heurtée. (N'utilisez pas une batterie si elle est endommagée.)

Pour les États-Unis :



Attention à l'intention de l'utilisateur

Tout changement ou modification non expressément approuvés par la partie responsable de la conformité peut entraîner l'annulation du droit de l'utilisateur à utiliser cet appareil.

Énoncé sur l'exposition aux RF

NOTE IMPORTANTE : Pour répondre aux exigences de conformité à l'exposition RF FCC, l'antenne utilisée avec l'émetteur doit être installée pour permettre une distance de séparation d'au moins 20cm de toute personne et ne doit pas être placée à côté ou fonctionner conjointement avec une autre antenne ou un autre émetteur. Aucun changement sur l'antenne ou sur l'appareil n'est autorisé. Tout changement sur l'antenne ou l'appareil pourrait amener l'appareil à dépasser les exigences d'exposition RF et annuler le droit de l'utilisateur d'utiliser l'appareil.

REMARQUE : cet équipement a été testé et déclaré conforme aux limites des appareils numériques de Classe B ; en accord avec le chapitre 15 du règlement de la FCC. Ces limites ont pour objectif de fournir une protection raisonnable contre les interférences nuisibles dans une installation résidentielle.

Cet équipement génère, utilise et rayonne de l'énergie de fréquence radio et peut nuire aux communications radio s'il n'est pas installé et utilisé en accord avec les instructions du mode d'emploi. Cependant, il n'est pas garanti que des interférences surviennent dans une installation particulière. Si l'équipement cause des interférences nuisibles à la réception radio ou télévision, qui peuvent être localisées en allumant ou en éteignant l'équipement, l'utilisateur est encouragé à corriger les interférences en employant une ou plusieurs des mesures suivantes :

- Réorienter ou déplacer l'antenne de réception.
- Séparer davantage l'équipement et le récepteur.
- Connecter l'équipement à une prise de courant située sur un circuit différent de celui du récepteur.
- Demandez assistance à un revendeur ou un technicien expérimenté dans le domaine radio/TV.

Caractéristiques :

- Synthétiseur PLL AM/FM stéréo
- Écran LCD lumineux
- Recherche manuelle/présélection/automatique
- Réglage du son
- Présélections de 5 radios sur chaque bande
- Horloge et deux alarmes (radio et buzzer) avec fonction « sieste »
- Radio réveil (arrêt automatique)
- Haut-parleur stéréo de haute qualité
- Design dépoli
- Résistance à l'eau - IPX 4
- N'utilisez pas la batterie si elle est tombée ou si elle a été heurtée. (N'utilisez pas une batterie si elle est endommagée.)

Descriptif (Fig. 1)

Contrôles :

1. Mise en marche et fonction de sommeil
2. Boutons de fréquence et mono
3. Alarme radio
4. Buzzer
5. Stations présélectionnées
6. Recherche automatique et réglage de l'heure
7. Bouton de commande Réglage/Volume
8. Entrée électricité
9. Borne d'entrée (AUX IN1)
10. Antenne à tige souple
11. Compartiment des batteries (couvrant le bloc-batterie principal et les batteries de secours)
12. Poignée
13. Haut-parleur
14. Casier des batteries
15. Compartiment des batteries principales
16. Compartiment des batteries de secours
17. Indicateur rouge
18. Bouton
19. Batterie
20. Borne d'entrée (AUX IN2)
21. Avant
22. Droite
23. Arrière ; couvercle de batterie fermé
24. Arrière ; couvercle de batterie ouvert
25. Témoins
26. Bouton de vérification

Écran LCD :

- A. Alarme radio
- B. Buzzer
- C. Recherche automatique
- D. Indicateur de bande
- E. Niveau de charge des batteries
- F. Stations présélectionnées
- G. Statut « sommeil » et « sieste »
- H. Fréquence
- I. Volume stéréo
- J. Horloge
- K. Réglage de l'heure
- L. PM (soir) pour l'horloge

Installation des batteries

Remarque :

Laisser des batteries de secours dans le compartiment permet d'éviter la perte de données enregistrées dans les mémoires préréglées.

Installation de la batterie de secours

1. Retirer le casier des batteries pour libérer de l'espace pour les batteries. Il y a un compartiment pour les batteries principales et un compartiment pour les batteries de secours. (Fig. 2 et 3)
2. Enlever le couvercle du compartiment des batteries de secours et insérer 2 batteries UM-3 (dimension AA). Vérifier que les batteries sont installées en respectant

les polarités comme indiqué dans le compartiment. Remettre le couvercle.

- Après avoir introduit les batteries de secours, mettre les batteries principales dans la radio. Les batteries compatibles pour cette radio sont répertoriées dans le tableau suivant.

Le tableau suivant indique le temps de fonctionnement par charge.

Capacité de la batterie	Tension de la batterie				À LA SORTIE DU HAUT-PARLEUR = 50 mW + 50 mW (unité : Heure) (Environ)
	7,2 V	10,8 V – 12V max	14,4 V	18 V	
					Radio/AUX
1,0 Ah	BL7010				7,0
1,3 Ah		BL1014			8,5
			BL1415	BL1815	9,0
1,5 Ah	BL0715				10
		BL1016			9,5
			BL1415N	BL1815N	10
2,0 Ah		BL1021B			13
				BL1820	14
				BL1820B	
3,0 Ah			BL1430		20
			BL1430B		
				BL1830	21
				BL1830B	
4,0 Ah		BL1041B			26
			BL1440		27
				BL1840	28
				BL1840B	
5,0 Ah			BL1450		34
				BL1850	35
				BL1850B	
6,0 Ah			BL1460B		41
				BL1860B	42

 : batterie pod

 : batterie à glissière

Remarque :

Le temps de fonctionnement des batteries indiqué ci-dessus est fourni à titre informatif. Le temps de fonctionnement réel peut varier en fonction du type de batterie, des conditions de recharge ou de l'environnement d'utilisation.

Installation ou retrait de la batterie à glissière (Fig. 4 et 5)

- Pour installer la batterie, aligner sa languette sur la rainure qui se trouve à l'intérieur du carter, puis glisser la batterie pour la mettre en place. Toujours l'insérer

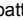
bien à fond, jusqu'à ce qu'elle se verrouille en émettant un léger clic.

- Si l'indicateur rouge sur la face supérieure du bouton est visible, la batterie n'est pas parfaitement verrouillée. L'insérer à fond jusqu'à ce que l'indicateur rouge ne soit plus visible. Sinon, elle risque de tomber accidentellement de l'outil, en vous blessant ou en blessant une personne située près de vous.
- Ne pas installer la batterie par la force. Si la batterie ne glisse pas facilement, c'est qu'elle n'est pas insérée correctement.
- Pour retirer la batterie, faire glisser le bouton à l'avant de la batterie et sortir la batterie, ou appuyer sur les boutons situés des deux côtés de la batterie.

Installation ou retrait de la batterie pod (Fig. 6 et 7)

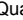
- Retirer la barre de soutien pour pouvoir insérer entièrement la batterie.
- Pour insérer la batterie, aligner sa languette sur la rainure qui se trouve à l'intérieur du carter, puis glisser la batterie pour la mettre en place.
- Relâcher la barre de soutien.
- Pour retirer la batterie, retirer la barre de soutien et sortir la batterie du boîtier.

Remettre en place le casier des batteries à sa position d'origine.

Une réduction de puissance, une distorsion, un son nasillard ou l'apparition de l'indicateur de charge de la batterie  sur l'écran sont les signes qu'il est nécessaire de changer de batteries.

Remarque :

Les batteries ne peuvent pas être rechargées à l'aide de l'adaptateur secteur fourni.

Quand le témoin de charge de la batterie  apparaît et qu'un « E » clignote, il est temps de changer les batteries.

Afficher la capacité résiduelle de la batterie (Fig. 8)

Uniquement pour les batteries dont le numéro de modèle se termine par « B »

Appuyez sur le bouton de vérification sur la batterie pour afficher la capacité résiduelle de la batterie. Les témoins s'allument pendant quelques secondes.

Témoins			Capacité résiduelle
Allumé	Éteint	Clignotant	
			75 % à 100 %
			50 % à 75 %
			25 % à 50 %
			0 % à 25 %
			Chargez la batterie.
			La batterie peut avoir présenté un défaut de fonctionnement.

015658

Remarque :

- Selon les conditions d'utilisation et la température ambiante, il est possible que la capacité relevée soit légèrement différente par rapport à la capacité réelle.

L'utilisation de batteries autres que les batteries d'origine Makita, ou encore de batteries qui ont été modifiées, annulerait la garantie de Makita s'appliquant à l'outil Makita et au chargeur.

Installation de l'antenne à tige souple (Fig. 9 et 10)

Procéder comme indiqué sur la figure pour installer l'antenne à tige souple.

Remarque :

Le compartiment des batteries contient un emplacement conçu pour placer l'antenne retirée.

Utilisation de l'adaptateur secteur fourni (Fig. 11)

Retirer le capuchon en caoutchouc et insérer la fiche de l'adaptateur dans la prise secteur sur la façade de la radio. Brancher l'adaptateur dans une prise de courant standard. En cas d'utilisation de l'adaptateur, les piles sont automatiquement déconnectées. Débrancher l'adaptateur secteur de l'alimentation lorsqu'il n'est pas utilisé.

Remarque :

En cas d'interférences de la radio avec son adaptateur en mode AM, l'éloigner de plus de 30 cm de son adaptateur secteur.

Réglage de l'heure

1. Le réglage de l'heure peut s'effectuer que la radio soit en marche ou à l'arrêt.

2. A l'écran apparaît « -: - » quand les batteries de secours sont installées.
3. Appuyer sur le bouton de réglage de l'heure C_{SET} plus de 2 secondes. Le symbole C_{SET} clignote à l'écran, ainsi que le chiffre des heures, suivi d'un bip.
4. Tourner le bouton de commande Réglage/Volume pour sélectionner l'heure.
5. Appuyer sur le bouton C_{SET} pour confirmer. Le chiffre des minutes clignote.
6. Tourner le bouton de commande Réglage/Volume pour sélectionner la minute.
7. Appuyer de nouveau sur le bouton C_{SET} pour terminer le réglage de l'heure.

Utilisation de la radio

Cette radio est équipée de trois méthodes de recherche - recherche automatique, recherche manuelle et stations présélectionnées.

Recherche automatique

1. Appuyer sur le bouton de mise en marche pour activer la radio.
2. Sélectionner la bande de fréquence en appuyant sur le bouton de fréquence. S'assurer que l'antenne est dans la meilleure position de réception (FM). Pour la bande (AM (MW)), faire tourner la radio pour obtenir le meilleur signal. Eviter de manipuler la radio à côté d'un écran d'ordinateur ou d'un autre équipement qui pourrait provoquer des interférences sur la radio.
3. Appuyer sur le bouton de recherche puis le relâcher (ne pas appuyer plus de 2 secondes car cela pourrait activer le réglage de l'heure). L'écran LCD affiche le symbole de recherche et la radio recherche et s'arrête automatiquement lorsqu'elle trouve une station de radio. Appuyer sur le bouton de recherche pour enregistrer la station.

Remarque :

Le symbole Stéréo apparaît sur l'écran si la station trouvée est en stéréo.

Remarque :

La radio continue à rechercher les stations tant que vous n'appuyez pas sur le bouton de recherche.

4. Tourner le bouton de commande Réglage/Volume pour avoir le niveau sonore nécessaire. Le niveau sonore apparaît sur l'écran LCD.

Remarque :

Pour passer du contrôle du volume au contrôle du tuner et vice-versa, appuyer sur le bouton de contrôle Réglage/Volume.

5. Pour éteindre la radio, appuyer sur le bouton de mise en marche. L'écran affiche OFF.

Réglage manuel

1. Appuyer sur le bouton de mise en marche pour activer la radio.

2. Sélectionner la bande de fréquence en appuyant sur le bouton de fréquence. Régler l'antenne comme indiqué ci-dessus.
3. Une simple rotation du bouton de commande Réglage/Volume modifiera la fréquence :
FM : 50 ou 100 kHz
AM (MW) : 9 ou 10 kHz

Remarque :

Si le volume de la radio est préréglé, appuyer sur le bouton de réglage pour avoir un nouveau statut.

4. Tourner le bouton de commande Réglage/Volume jusqu'à ce que la fréquence requise apparaisse sur l'écran.
5. Tourner le bouton de commande Réglage/Volume pour avoir le niveau sonore nécessaire.
6. Pour éteindre la radio, appuyer sur le bouton de mise en marche. L'écran affiche OFF.

Stockage des stations de radio en mémoire présélectionnée

Il y a 5 mémoires présélectionnées sur chaque bande de fréquence.

1. Appuyer sur le bouton de mise en marche pour activer la radio.
2. Rechercher la station choisie comme décrit précédemment.
3. Appuyer sur le bouton et le maintenir enfoncé jusqu'à ce que la radio émette un bip. La station sélectionnée apparaît sur l'écran, et la station est stockée en mémoire sous le bouton choisi.
4. Répéter l'opération pour les autres présélections.
5. Les stations stockées en mémoire peuvent être remplacées par l'exécution d'une nouvelle procédure.

Rappel des stations de radio en mémoire

1. Appuyer sur le bouton de mise en marche pour activer la radio.
2. Sélectionner la bande de fréquence souhaitée.
3. Appuyer momentanément sur le bouton de présélection. Le numéro de la station et la fréquence apparaissent sur l'écran.

Réglage de l'alarme radio

Quand l'alarme radio est sélectionnée, la radio se met en marche toute seule à l'heure choisie. L'alarme radio fonctionne pendant une heure sauf si le bouton de mise en marche est enfoncé. Appuyer sur le bouton de mise en marche pour désactiver l'alarme radio pendant 24 heures.

Remarque :

Quand le niveau de charge des batteries est très bas, l'alarme radio ne peut pas fonctionner.

a. Réglage de l'heure de l'alarme radio :

1. L'alarme radio peut être réglée que la radio soit en marche ou à l'arrêt.

2. Appuyer sur le bouton de réglage de l'alarme radio (🕒-🔊) et le relâcher. Le symbole de l'alarme radio clignote.
3. Pendant que le symbole de l'alarme radio clignote, appuyer sur le bouton C_{SET} pendant plus de 2 secondes, suivi d'un bip.
4. L'heure à l'écran clignote, tourner le bouton de commande Réglage/Volume pour sélectionner l'heure puis appuyer de nouveau sur le bouton C_{SET} pour confirmer l'heure choisie.
5. Procéder de la même façon que pour l'heure pour régler les minutes. Appuyer sur le bouton C_{SET} pour finir le réglage.

b. Réglage de la station de l'alarme radio

1. Pendant le réglage de l'heure et quand le symbole de l'alarme radio clignote, appuyer sur le bouton de fréquence pour sélectionner la fréquence et la station soit manuellement soit au moyen des stations présélectionnées. Appuyer sur le bouton (🕒-🔊) pour finir le réglage. L'écran affiche (🕒-🔊).
2. Quand l'heure de l'alarme radio et la station sont réglées, appuyer sur le bouton de l'alarme radio (🕒-🔊) et le maintenir enfoncé pendant plus de 2 secondes, suivi d'un bip. (🕒-🔊) apparaît à l'écran quand l'alarme radio est réglée.

Remarque :

Si la nouvelle station radio n'est pas sélectionnée, c'est la dernière station radio qui est choisie.

Réglage du buzzer (signal sonore)

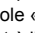
Lorsque le buzzer est sélectionné, un signal sonore est émis.

Les bips d'alarme deviennent de plus en plus courts toutes les 15 secondes ; ils sonnent pendant une minute puis s'arrêtent pendant une minute, puis ce cycle recommence.

Le buzzer fonctionne pendant une heure sauf si la radio est arrêtée. Appuyer sur le bouton de mise en marche pour désactiver l'alarme pendant 24 heures.

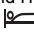
1. Le buzzer peut être réglé que la radio soit en marche ou à l'arrêt.
2. Appuyer sur le bouton du buzzer (🔊-🔊) et le relâcher. Le symbole clignote.
3. Pendant le clignotement du symbole, appuyer sur le bouton C_{SET} pendant plus de 2 secondes suivi d'un bip et le chiffre des heures clignote.
4. Tourner le bouton de commande Réglage/Volume pour choisir l'heure désirée puis appuyer de nouveau sur le bouton C_{SET} . Le chiffre des minutes clignote.
5. Tourner le bouton de commande Réglage/Volume pour choisir la minute désirée, puis appuyer de nouveau sur le bouton C_{SET} pour terminer le réglage du buzzer.
6. Appuyer sur le bouton d'alarme du buzzer (🔊-🔊) et le maintenir enfoncé pendant plus de 2 secondes suivi d'un bip pour arrêter ou mettre en marche le buzzer. Le symbole (🔊-🔊) apparaît sur l'écran lorsque le buzzer est réglé.

Fonction « Sieste »

1. Quand l'alarme fonctionne, appuyer sur n'importe quel bouton, sauf le bouton de mise en marche, pour arrêter l'alarme. L'alarme radio ou le buzzer reste silencieux par intervalle de 5 minutes.
2. Le symbole « sieste »  et le symbole d'alarme clignotent à l'écran. La fonction « sieste » peut être active pendant une heure.

Fonction « Sommeil »

La fonction de sommeil arrête automatiquement la radio en fonction de l'heure choisie pour l'arrêt.

1. Appuyer sur le bouton de mise en marche et le maintenir enfoncé pendant plus de 2 secondes, suivi d'un bip. L'écran affiche les plages disponibles pour l'arrêt de la radio : 60-45-30-15-120-90-60. Relâcher le bouton de mise en marche quand l'heure sélectionnée apparaît à l'écran. Le symbole  apparaît à l'écran et la radio se met en marche sur la dernière station sélectionnée.
2. Pour désactiver la fonction de sommeil, appuyer sur le bouton de mise en marche. Le symbole disparaît et la radio est arrêtée.

Eclairage de l'écran

Appuyer sur n'importe quel bouton ou tourner sur le bouton de commande Réglage/Volume et l'écran LCD s'éclaire pendant environ 15 secondes. Pendant la recherche de stations ou le réglage de l'alarme, l'écran s'éclaire automatiquement.

Changement de stéréo en mono

Quand la réception d'une station stéréo est faible (FM), il est possible de l'améliorer en appuyant sur le bouton Mono pendant 2 secondes. Le son n'est plus en stéréo et l'indicateur Stéréo disparaît.

Comment faire jouer d'autres appareils audio

ATTENTION :

Débrancher cet appareil avant d'y raccorder d'autres appareils audio.

- Il y a 2 prises d'entrée AUX. La prise AUX 1 se trouve sur le panneau avant, et la prise AUX 2 dans le compartiment des batteries.
- Raccorder une source stéréo ou mono (par exemple un lecteur iPod, MP3 ou CD) à la prise AUX 1 ou AUX 2 au moyen d'un câble audio.
- Appuyer sur le bouton de fréquence et le relâcher plusieurs fois jusqu'à ce que « AU1 » ou « AU2 » s'affiche pour activer la fonction AUX.
- Il n'est pas possible d'activer AUX comme source d'alarme.

ENTRETIEN

ATTENTION :

- N'utilisez jamais d'essence, de benzine, de solvant, d'alcool ou tout autre produit similaire. Cela pourrait provoquer une décoloration, une déformation ou la formation de fissures.

Caractéristiques :

Conditions d'alimentation

Adaptateur secteur DC12 V 700 mA, positif sur broche centrale

Batterie UM-3 (dimension AA) x 2 batteries de secours

Batterie pod : 7,2 V - 10,8 V

Batterie à glissière : 10,8 V - 18 V

Fréquence FM 87,50 - 108 MHz

(0,1 MHz/pas)

AM (MW) 520 - 1 710 kHz

(10 kHz/pas)

Caractéristiques du circuit

Haut-parleur 3 pouces 8 ohm

Puissance de sortie 7,2 V : 0,5 W x 2, 10,8 V : 1,2 W x 2, 14,4 V : 2,2 W x 2, 18 V : 3,5 W x 2

Borne d'entrée 3,5 mm de dia. (AUX IN1/AUX IN2)

Antenne FM : antenne à tige souple

AM : antenne droite

Dimension (L x H x P) en mm

280 x 302 x 163

(11" x 11-7/8" x 6-3/8")

Poids

Batterie	(kg)	(lbs)
(sans batterie)	4,0	8,9
BL0715	4,1	9,1
BL7010		
BL1014	4,2	9,3
BL1016		
BL1021B		
BL1415	4,3	9,5
BL1415N		
BL1041B	4,4	9,7
BL1815		
BL1815N		
BL1820		
BL1820B		
BL1430	4,5	10,0
BL1430B		
BL1440		
BL1450		
BL1460B		
BL1830	4,6	10,2
BL1830B		
BL1840		
BL1840B		
BL1850		
BL1850B		
BL1860B		


INSTRUCCIONES IMPORTANTES DE SEGURIDAD

ADVERTENCIA:

Cuando utilice herramientas eléctricas, deberá tomar siempre precauciones de seguridad básicas, incluyendo las siguientes, para reducir el riesgo de incendios, descargas eléctricas y heridas personales:

1. Lea este manual de instrucciones y el manual de instrucciones del cargador con cuidado antes de usar.
2. Limpie sólo con un paño limpio.
3. No obstruya ninguna apertura de ventilación. Instale de acuerdo a las instrucciones del fabricante.
4. No instale cerca de fuentes de calor como radiadores, registradores de temperatura, estufas u otros aparatos (incluidos amplificadores) generadores de calor.
5. Utilice sólo accesorios que especifique el fabricante.
6. Desconecte este aparato durante tormentas eléctricas o cuando no lo utilice por periodos prolongados de tiempo.
7. Una radio a baterías con baterías integrales o con un paquete de baterías independiente debe recargarse sólo con el cargador especificado para la batería. Un cargador que puede ser adecuado para un tipo de batería puede generar un riesgo de incendio cuando se utiliza con otra batería.
8. Utilice la radio a baterías sólo con los paquetes de baterías diseñados específicamente para ella. El uso de cualquier otro tipo de baterías puede provocar un riesgo de incendio.
9. Cuando no se esté utilizando el paquete de baterías, manténgalo alejado de objetos metálicos como: sujetapapeles, monedas, llaves, clavos, tornillos y otros objetos metálicos pequeños que pueden hacer una conexión desde un terminal a otro. Si ocasiona un cortocircuito uniendo los terminales de la batería puede provocar, chispas, quemaduras o un incendio.
10. Evite el contacto del cuerpo con superficies aterrizadas como tubería, radiadores, estufas y refrigeradores. Existe un incremento de riesgo de descarga eléctrica si su cuerpo está aterrizado.
11. Puede que en condiciones abusivas se fugue líquido de la batería; evite tocarlo. Si lo toca accidentalmente, enjuague con agua. Si hay contacto del líquido con los ojos, acuda por atención médica. Puede que el líquido expulsado de la batería cause irritación o quemaduras.

CONSERVE ESTAS INSTRUCCIONES.

 **PRECAUCIÓN:** Use solamente baterías de iones de litio originales de Makita. El uso de baterías no originales de Makita, o de baterías que hayan sido alteradas, puede que resulte en que la batería estalle ocasionando incendios, así como daños y lesiones al usuario.

NORMAS ESPECÍFICAS DE SEGURIDAD

PARA CARTUCHO DE BATERÍA

1. Antes de utilizar el cartucho de batería, lea todas las instrucciones e indicaciones de precaución sobre (1) el cargador de batería, (2) la batería, y (3) el producto con el que se utiliza la batería.
2. No desarme el cartucho de batería.
3. Si el tiempo de uso del cartucho de batería se acerca demasiado, deje de usarlo inmediatamente. Podría resultar en un riesgo de sobrecalentamiento, posibles quemaduras e incluso una explosión.
4. En caso de que ingresen electrolitos en sus ojos, enjuáguelos bien con agua limpia y acuda a un médico de inmediato. Esto podría ocasionar la pérdida de la visión.
5. No cierre el circuito entre los terminales del cartucho de batería:
 - (1) No toque los terminales con ningún material conductor.
 - (2) Evite guardar el cartucho de batería en algún cajón junto con cualquier otro objeto metálico, como clavos, monedas, etc.
 - (3) No exponga el cartucho de batería a la lluvia ni a la nieve. Un cortocircuito puede provocar un elevado flujo de corriente, sobrecalentamiento, posibles quemaduras e incluso una avería.
6. No guarde la herramienta ni el cartucho de la batería en lugares donde la temperatura pueda alcanzar o exceder los 50°C (122°F).
7. Nunca incinere el cartucho de batería incluso en el caso de que esté dañado seriamente o ya no sirva en lo absoluto. El cartucho de batería puede explotar si se arroja al fuego.
8. Tenga cuidado de no dejar caer ni golpear el cartucho de batería.
9. No use una batería que ha sufrido impactos por caídas o golpes (no use con una batería dañada).

Para Estados Unidos:



Precauciones para el usuario

Los cambios o modificaciones que no hayan sido expresamente autorizados por la entidad responsable por el cumplimiento de las regulaciones podrían anular la autoridad del usuario de utilizar este equipo.

Declaraciones sobre la exposición de radiofrecuencia (RF)

NOTA IMPORTANTE: Para cumplir con los requisitos de exposición humana a los campos de radiofrecuencia (RF) de la FCC, la o las antenas usadas para este transmisor deben instalarse a una distancia mínima de 20 centímetros de cualquier persona y no deben ser colocadas ni funcionar junto a otras antenas o transmisores. No se permite ningún cambio en la antena o dispositivo. Cualquier cambio en la antena o dispositivo podría resultar en el dispositivo excediendo los requisitos de exposición humana a los campos de radiofrecuencia y anular la autoridad del usuario para operar el dispositivo.

NOTA: Este equipo ha sido probado y cumple con los límites correspondientes a un equipo digital de Clase B, según lo señalado en la Parte 15 de las Normas FCC (la Comisión Federal de Comunicaciones de EE. UU.). Estos límites están diseñados para proporcionar protección razonable contra interferencias perjudiciales en una instalación residencial. Este equipo genera, utiliza y puede emitir energía de frecuencias de radio y, si no es instalado y usado de acuerdo a las instrucciones, puede causar interferencias perjudiciales en las comunicaciones de radio. Sin embargo, no hay garantía de que no ocurrirán las interferencias en una instalación determinada. Si este equipo causa interferencias perjudiciales en la recepción de radio o televisión, que se pueden identificar encendiendo y apagando el equipo, recomendamos al usuario que intente solucionar las interferencias tomando una o más de las siguientes medidas:

- Cambiar la orientación o posición de la antena receptora.
- Aumentar la separación entre el equipo y el receptor.
- Conectar el equipo a una toma de un circuito diferente del conectado con el receptor.
- Consultar al proveedor o a un técnico de radio/TV con experiencia para recibir ayuda.

- Alimentación tanto por paquete de baterías de Makita y por adaptador de cable eléctrico incluido

Visión general (Fig. 1)

Controles:

1. Control de encendido y temporizador de apagado automático
2. Botón de frecuencia de banda y monoaural
3. Ajuste de alarma de radio
4. Ajuste de alarma de timbre
5. Estaciones preajustadas
6. Ajuste de sintonía por exploración y hora
7. Perilla de control de sintonía / volumen
8. Enchufe de entrada de CC
9. Terminal de entrada (AUX IN1)
10. Antena plegable de varilla suave
11. Compartimento para batería (cubre paquete de baterías principal y pilas de respaldo)
12. Mango
13. Altavoz
14. Cierre del compartimento de baterías
15. Compartimento para paquete de baterías principal
16. Compartimento para pilas de respaldo
17. Indicador rojo
18. Botón
19. Cartucho de batería
20. Terminal de entrada (AUX IN2)
21. Lado delantero
22. Derecho
23. Anverso; Cubierta de batería cerrada
24. Anverso; Cubierta de batería abierta
25. Luces indicadoras
26. Botón de comprobación

Pantalla LCD:

- A. Alarma de radio
- B. Alarma de timbre HWS
- C. Sintonía por exploración
- D. Indicador de banda de frecuencia
- E. Indicador de batería baja
- F. Estaciones preajustadas
- G. Estado de apagado automático y silenciador temporal
- H. Frecuencia
- I. Símbolo de sonido estéreo y volumen
- J. Reloj
- K. Ajuste de hora
- L. PM para reloj

Características:

- Frecuencia AM/FM-estéreo PLL sintetizada
- Amplia pantalla LCD con iluminación
- Sintonía manual / preajustada/ por exploración
- Controles giratorios de sintonía y volumen
- 5 estaciones preajustadas por banda de frecuencia
- Hora y 2 temporizadores de alarma (radio y timbre HWS) con silenciador temporal de despertador
- Temporizador ajustable de apagado automático (al dormir)
- Altavoz estéreo para nivel abundante de sonido
- Diseño ultra-resistente
- Grado de protección IPX 4 contra el agua

Instalación de la batería

Nota:

Mantener baterías de respaldo dentro del compartimento previene que la información almacenada en las memorias preajustadas se borre.

Instalación de las pilas de respaldo

1. Jale el cierre del compartimento de batería para liberarlo. Se cuenta con un compartimento para paquete de baterías principal, así como un compartimento para pilas de respaldo. (Fig. 2 y 3)

2. Retire la cubierta del compartimento para pilas de respaldo e inserte 2 pilas nuevas UM-3 (tamaño AA). Asegúrese de colocar las pilas con la polaridad correcta como se indica adentro del compartimento. Vuelva a colocar la cubierta de batería.

3. Una vez colocadas las pilas de respaldo, inserte el paquete de baterías principal que alimentará la radio. Los paquetes de baterías adecuados para esta radio se listan en la tabla que se muestra a continuación.

La tabla a continuación indica el tiempo de operación en una sola carga.

Capacidad de la batería	Voltaje del cartucho de batería				A NIVEL DE SALIDA DEL ALTAVOZ = 50 mW + 50 mW (unidad: Hora) (Aprox.)
	7,2 V	10,8 V – 12V máx	14,4 V	18 V	
1,0 Ah	BL7010				7,0
1,3 Ah		BL1014			8,5
			BL1415	BL1815	9,0
1,5 Ah	BL0715				10
		BL1016			9,5
			BL1415N	BL1815N	10
2,0 Ah		BL1021B			13
				BL1820	14
			BL1820B		
3,0 Ah			BL1430		20
			BL1430B		
				BL1830	21
				BL1830B	
4,0 Ah		BL1041B			26
			BL1440		27
				BL1840	28
				BL1840B	
5,0 Ah			BL1450		34
				BL1850	35
				BL1850B	
6,0 Ah			BL1460B		41
				BL1860B	42

: Paquete de baterías

: Batería deslizable

Nota:

La tabla en relación con el tiempo de operación de batería anterior es para usarse como referencia. El tiempo de operación real puede que varíe en función del tipo de batería, condición de recarga o entorno de uso.

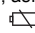
Instalación o desinstalación del cartucho deslizable de la batería (Fig. 4 y 5)

- Para colocar el cartucho de batería, alinee la lengüeta sobre el cartucho de batería con la ranura en la carcasa y deslice en su lugar. Insértelo siempre por completo hasta que se fije en su lugar con un pequeño clic.
- Si puede ver el indicador rojo del lado superior del botón, esto indica que no ha quedado fijo por completo. Coloque completamente hasta que el indicador rojo no pueda verse. Si no, podría accidentalmente salirse del aparato y caer al suelo causando una lesión a usted o alguien a su alrededor.
- No emplee fuerza al colocar el cartucho de batería. Si el cartucho no se desliza al interior fácilmente, se debe a que no está siendo insertado correctamente.
- Para quitar el cartucho de batería, deslícelo de la herramienta mientras desliza el botón sobre la parte delantera del cartucho, o presione los botones en ambos lados del cartucho.

Instalación o desinstalación del cartucho del paquete de baterías (Fig. 6 y 7)

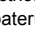
- Jale la barra de apoyo para permitir la inserción de la batería al terminal.
- Para insertar el cartucho de batería, alinee la lengüeta sobre el cartucho de batería con la ranura en la carcasa y deslice en su lugar.
- Suelte la barra de apoyo.
- Para retirar el cartucho de batería, jale la barra de apoyo y saque la batería del terminal.

Vuelva a colocar el cierre del compartimento de la batería a la posición original.

Una baja en el nivel de alimentación, la distorsión “tartamudeo” del sonido, así como la aparición del símbolo de batería baja  en la pantalla es señal de que el paquete de baterías requiere ser reemplazado.

Nota:

El paquete de baterías no puede recargarse mediante el adaptador del cable eléctrico de CA.

Cuando el símbolo de batería baja  aparece y una “E” continúa parpadeando, significa que es tiempo de reemplazar las pilas de respaldo.

Consulta de la capacidad restante de la batería (Fig. 8)

Solamente para cartuchos de batería con “B” al final del número de modelo

Presione el botón de comprobación en el cartucho de batería para consultar la capacidad restante de la batería. Las luces indicadoras se encenderán durante unos segundos.

Luces indicadoras			Capacidad restante
Encendidas	Apagadas	Parpadeando	
			75% a 100%
			50% a 75%
			25% a 50%
			0% a 25%
			Recargue la batería.
			Puede que haya habido un mal funcionamiento de la batería.

015658

Nota:

- Dependiendo de las condiciones de uso y la temperatura ambiental, puede que la indicación difiera levemente de la capacidad real.

El uso de baterías no originales de Makita, o de baterías que hayan sido alteradas, anulará la garantía Makita para la herramienta y el cargador Makita.

Instalación de la antena plegable de varilla suave (Fig. 9 y 10)

Instale la antena plegable de varilla suave como se ilustra en la figura.

Nota:

Hay una pinza en el compartimento de la batería diseñado para almacenar la antena que se ha quitado.

Uso del adaptador del cable eléctrico de CA incluido (Fig. 11)

Retire el protector de hule e inserte la clavija del adaptador en la enchufe de CC sobre el lado delantero de la radio. Conecte el adaptador a un tomacorriente eléctrico estándar. Siempre que se use el adaptador de cable eléctrico, el paquete de baterías automáticamente se desconecta. El adaptador de cable eléctrico de CA se deberá desconectar del tomacorriente cuando no se esté utilizando.

Nota:

Cuando su radio presente alguna interferencia en la banda de frecuencia AM debido a su propio adaptador de cable eléctrico, mueva el aparato alejándolo unos 30 cm del adaptador de cable eléctrico.

Ajuste del reloj

1. El reloj se puede ajustar ya sea con la radio encendida o apagada.

2. La pantalla mostrará “-: -” cuando al colocar las pilas de respaldo.
3. Presione prolongadamente el botón para el ajuste hora C_{SET} durante más de 2 segundos, la pantalla mostrará el símbolo de ajuste C_{SET} , así como el dígito para la hora seguido de un pitido.
4. Gire la perilla de control de sintonía / volumen para ajustar a la hora requerida.
5. Presione el botón C_{SET} para confirmar el ajuste de la hora, el dígito para el minuto parpadeará.
6. Gire la perilla de control de sintonía / volumen para ajustar a el minuto requerido.
7. Presione el botón C_{SET} de nuevo para completar el ajuste de la hora.

Operación de la radio

Esta radio cuenta con tres métodos de sintonización: sintonía por exploración, sintonía manual y memoria de sintonía preajustada.

Sintonía por exploración

1. Presione el botón de encendido de la radio para encenderla.
2. Seleccione la banda de frecuencia requerida al presionar el botón para la banda de frecuencia. Asegúrese de que la antena plegable de varilla suave se encuentre bien colocada para una óptima recepción de la señal FM. Para la banda AM (MW), gire la radio para obtener una óptima recepción. Trate de evitar la operación de la radio en proximidad de una pantalla de computadora u algún equipo que pudiese causar interferencia con la radio.
3. Presione y suelte el botón de exploración (presionar prolongadamente el botón de sintonía por exploración por más de 2 segundos activará el ajuste de la hora), la pantalla LCD mostrará el símbolo de sintonía por exploración parpadeando y la radio buscará y se detendrá en cuanto encuentre una estación de radio. Presione de nuevo el botón de sintonía por exploración para seleccionar la estación encontrada.

Nota:

Se mostrará un símbolo de estéreo en la pantalla en caso de que la estación encontrada sea en sonido estéreo.

Nota:

La radio continuará con la búsqueda de estaciones si no presiona el botón de sintonía por exploración nuevamente tras haber encontrado una estación.

4. Gire la perilla de control de sintonía / volumen para conseguir el nivel de sonido deseado. La pantalla LCD mostrará el cambio en el nivel de sonido.

Nota:

Al operar el control del volumen, puede presionar la perilla del control para la sintonía/volumen para cambiar entre control de volumen y control de sintonía.

5. Para apagar la radio, presione el botón encendido. La pantalla mostrará "OFF".

Sintonía manual

1. Presione el botón de encendido de la radio para encenderla.
2. Seleccione la banda de frecuencia requerida al presionar el botón para la banda de frecuencia. Ajuste la antena como se describe anteriormente.
3. Un solo movimiento de la perilla de control giratorio para la sintonía / volumen cambiará la frecuencia con el siguiente incremento:
FM: 50 ó 100 kHz
AM (MW): 9 ó 10 kHz

Nota:

Si el control de sintonía/volumen de la radio se encuentra en estado para el control del volumen, presione dicho control para cambiarlo al estado para el control de la sintonía.

4. Continúe girando la perilla de control de sintonía / volumen hasta que haya conseguido mostrar la frecuencia deseada en la pantalla.
5. Gire la perilla de control de sintonía / volumen para conseguir el nivel de sonido deseado.
6. Para apagar la radio, presione el botón encendido. La pantalla mostrará "OFF".

Almacenamiento de estaciones en memorias preajustadas

Hay 5 preajustes de memoria para cada banda de frecuencia.

1. Presione el botón de encendido de la radio para encenderla.
2. Sintonice la estación deseada mediante alguno de los métodos descritos anteriormente.
3. Presione y continúe presionando el botón de preajuste hasta que la radio emita un pitido. El número de preajuste aparecerá en la pantalla y la estación se almacenará bajo el botón de preajuste seleccionado.
4. Repita este procedimiento para los preajustes restantes.
5. Las estaciones en las memorias preajustadas puede sobrescribirse al seguir el procedimiento previamente descrito.

Acceso a las estaciones de las memorias preajustadas

1. Presione el botón de encendido de la radio para encenderla.
2. Seleccione la banda de frecuencia deseada.
3. Presione sin prolongar el botón de preajuste deseado, el número de preajuste y la frecuencia de la estación aparecerá en la pantalla.

Ajuste de la alarma de radio

Cuando se seleccione la alarma de radio, la radio se encenderá y reproducirá la estación de radio elegida en la hora establecida de la alarma. La alarma de radio continuará sonando durante una hora, salvo que sea apagada mediante el botón de encendido. Al presionar el botón de encendido mientras la alarma se encuentra sonando cancelará su funcionamiento por un periodo de 24 horas.

Nota:

Cuando la radio se encuentre en estado de batería baja, ésta no podrá activarse.

a. Ajuste de la hora de la alarma de radio:

1. La alarma de radio puede ajustarse ya sea con la radio encendida o apagada.
2. Presione y libere el botón de alarma de radio (🔔-🔊), el símbolo de radio de alarma parpadeará.
3. Mientras el símbolo de alarma de radio parpadea, presione el botón (🕒_{SET}) por más de 2 segundos lo cual emitirá un pitido.
4. La pantalla mostrará la hora parpadeando, gire la perilla de control de sintonía / volumen para seleccionar la hora y luego presione el botón (🕒_{SET}) de nuevo para confirmar el ajuste de la hora establecida para la alarma.
5. Siga los mismos pasos empleados para el ajuste de la hora para establecer el minuto requerido. Presione el botón (🕒_{SET}) para completar el ajuste de la hora de la alarma.

b. Ajuste de la estación para la alarma de la radio

1. Durante el ajuste de la hora para la alarma de radio, el símbolo de alarma de radio parpadea, presione el botón para la frecuencia de la banda para activar la radio para seleccionar la banda de frecuencia y estación de radio deseada para el despertador, ya sea mediante la sintonía manual o mediante las memorias preajustadas. Presione el botón (🔔-🔊) para completar el ajuste de la alarma de radio. La pantalla mostrará el símbolo (🔔-🔊).
2. Cuando la hora de la alarma de radio y la estación son establecidas, presione y mantenga presionando el botón de alarma de radio (🔔-🔊) por 2 segundos y enseguida se emitirá un pitido lo cual activa o desactiva la alarma. La pantalla mostrará el símbolo (🔔-🔊) cuando la alarma de radio esté activa.

Nota:

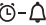

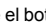
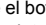
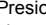
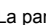
Si no se selecciona una alarma de radio nueva, se seleccionará la última estación de radio utilizada.

Ajuste de la alarma de timbre HWS (siglas en inglés de sistema despertador humano)

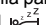
Un tono de pitido se activará al seleccionar la alarma de timbre HWS.

El pitido de la alarma se acortará cada 15 segundos durante un minuto seguido de un minuto de silencio antes de que el ciclo se repita.

La alarma de timbre HWS continuará sonando durante una hora, salvo que sea apagada mediante el botón de encendido. Al presionar el botón de encendido mientras la alarma se encuentra sonando cancelará su funcionamiento por un periodo de 24 horas.

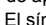
1. La alarma de timbre HWS puede ajustarse ya sea con la radio encendida o apagada.
2. Presione y libere el botón de alarma de timbre HWS , el símbolo parpadeará.
3. Mientras el símbolo parpadea, presionar prolongadamente el botón  por más de 2 segundos enseguida de un pitido mostrará el dígito para la hora parpadeando.
4. Gire la perilla de control de sintonía / volumen para seleccionar la hora deseada de la alarma, y luego presione el botón de ajuste de hora  nuevamente. El dígito para minuto parpadeará.
5. Gire la perilla de control de sintonía / volumen para seleccionar el minuto deseado de la alarma, luego presione el botón de ajuste de hora  nuevamente para completar el ajuste de la alarma de timbre HWS.
6. Presione y mantenga presionado el botón de la alarma de timbre  por más de 2 segundos y enseguida se emitirá un pitido el cual activa o desactiva la alarma de timbre HWS.
La pantalla mostrará el símbolo  cuando la alarma de timbre esté activa.

Función de silenciador temporal

1. Mientras la alarma esté sonando, presionar cualquiera de los botones salvo el botón de encendido activará la función de silenciador temporal. La alarma de radio o de timbre HWS se silenciará con un intervalo de 5 minutos.
2. La pantalla parpadeará tanto el símbolo de silenciador temporal  como el símbolo de la alarma. La función de silenciador temporal puede ejecutarse durante una hora mientras la alarma esté activa.

Función de apagado automático

El temporizador de apagado automático apagará la radio automáticamente tras haber transcurrido un tiempo previamente establecido.

1. Presione y continúe presionando el botón de encendido por más de 2 segundos, seguido de la emisión de un pitido y la pantalla mostrará los intervalos de apagado automático en el orden: 60-45-30-15-120-90-60.
Suelte el botón de encendido cuando el tiempo deseado de apagado automático se muestre en pantalla. El símbolo  se mostrará en la pantalla y la radio permanecerá encendida en la última estación seleccionada.
2. Para cancelar la función de apagado automático, presione el botón de encendido. El símbolo de la función desaparecerá y la radio se apagará.

Iluminación de la pantalla

Presione cualquiera de los botones, o gire la perilla de control del sintonía / volumen para que la pantalla LCD se ilumine durante aproximadamente 15 segundos. Durante la exploración de estaciones y la activación de la alarma, la pantalla también se iluminará automáticamente.

Cambiar de sonido estéreo a monoaural

Cuando la recepción de la estación FM en estéreo sea débil, puede mejorarla al presionar el botón monoaural por 2 segundos. El sonido ya no será en estéreo y el indicador estéreo desaparecerá.

Cómo reproducir otros audios

PRECAUCIÓN:

Desconecte el aparato antes de conectar otros audios.

- Hay 2 enchufes de entrada AUX. AUX 1 se ubica en el panel delantero, y AUX 2 se encuentra en el compartimento de batería.
- Conecte a una fuente estéreo o monoaural (p.ej. iPod o reproductor MP3 o de CDs) ya sea al enchufe AUX 1 o AUX 2 mediante un cable de audio.
- Presione repetidamente y suelte el botón de frecuencia de banda hasta que la pantalla muestre "AU1" o "AU2" para activar la función de fuente auxiliar de sonido AUX.
- La fuente AUX no puede usarse como fuente de sonido de alarma.

MANTENIMIENTO

PRECAUCIÓN:

- Nunca use gasolina, bencina, diluyentes (tiner), alcohol o alguna sustancia similar. El uso de estas sustancias podría generar decoloraciones, deformaciones o grietas.

Especificaciones:

Requisitos eléctricos

Adaptador de cable eléctrico de CA

CC12 V 700 mA, clavija central como polo positivo.

Pila

UM-3 (tamaño AA) x 2 para respaldo

Paquete de batería: 7,2 V - 10,8 V
Batería deslizable: 10,8 V - 18 V

Rango de frecuencia

FM 87,50 - 108 MHz
(intervalo de 0,1 MHz)
AM (MW) 520 - 1 710 kHz
(intervalo de 10 kHz)

Característica de circuito

Altavoz

3 pulgadas 8 ohm

Poder de salida

7,2 V: 0,5 W x 2, 10,8 V: 1,2 W x 2,
14,4 V: 2,2 W x 2, 18 V: 3,5 W x 2

Terminal de entrada 3,5 mm de dia.
(AUX IN1/AUX IN2)

Sistema de antena FM: antena plegable de varilla suave
AM: antena de barra

Dimensiones (An x Al x Prof) en mm
280 x 302 x 163
(11" x 11-7/8" x 6-3/8")

Peso

Cartucho de batería	(kg)	(lbs)
(sin batería)	4,0	8,9
BL0715	4,1	9,1
BL7010		
BL1014	4,2	9,3
BL1016		
BL1021B		
BL1415	4,3	9,5
BL1415N		
BL1041B	4,4	9,7
BL1815		
BL1815N		
BL1820		
BL1820B		
BL1430	4,5	10,0
BL1430B		
BL1440		
BL1450		
BL1460B		
BL1830	4,6	10,2
BL1830B		
BL1840		
BL1840B		
BL1850		
BL1850B		
BL1860B		

Makita Corporation

3-11-8, Sumiyoshi-cho,
Anjo, Aichi 446-8502 Japan