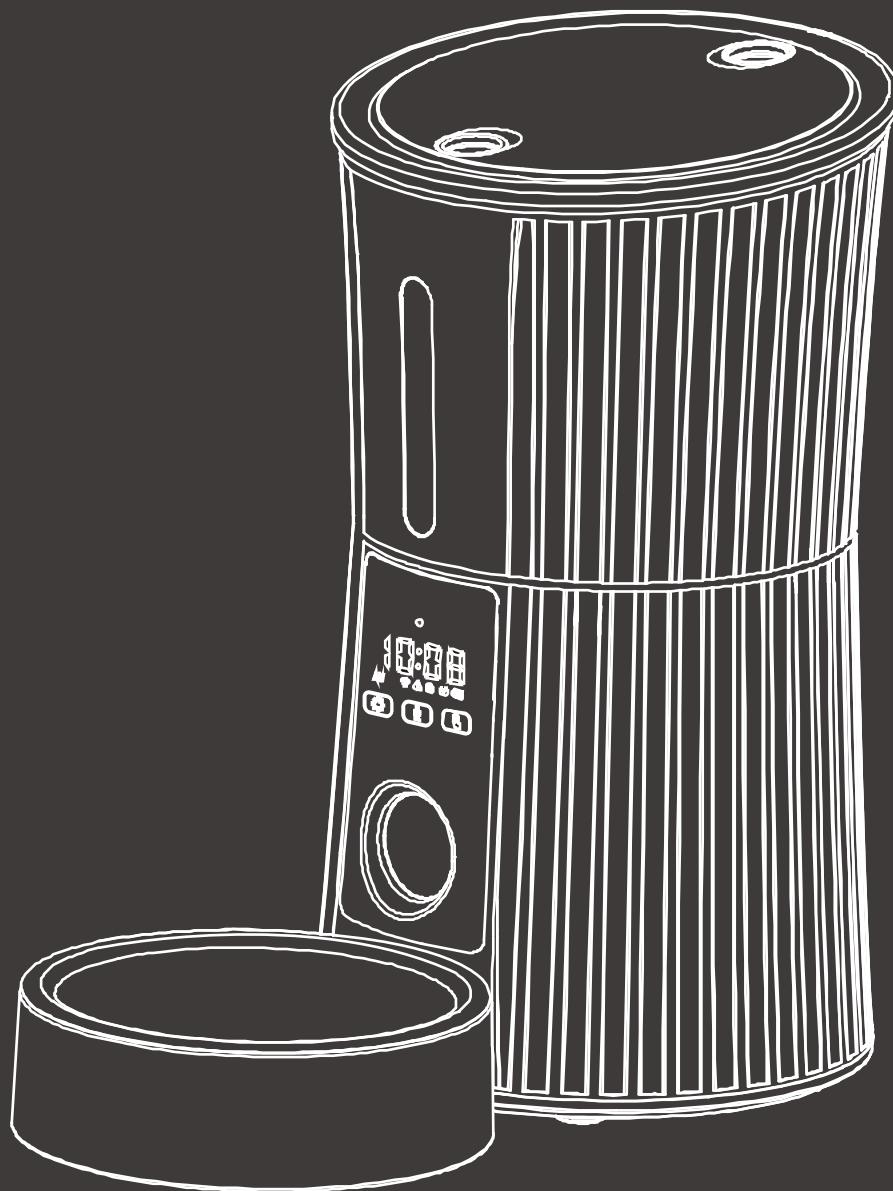


Pet Feeder

Instruction Manual

PC-WSQ1WWF



✉ HJ-Customer-Service@outlook.com

☎ (909)637-7665 | (909)637-7593

EST 9:00AM--17:00PM



Contents

| | |
|--|----|
| Safety Instructions | 1 |
| Product Display | 3 |
| Control Panel | 3 |
| Product Specifications | 4 |
| Usage Instruction | 5 |
| Initial Setup | 6 |
| Daily Feeding | 8 |
| Feeding Record & Alarm Notification | 9 |
| Setting Page Guide | 9 |
| About Cleaning | 10 |
| Troubleshooting | 11 |
| FCC Statement | 12 |

Safety Instructions

Please read these instructions carefully before use and keep this manual for future reference.

1. Dispose of all packaging properly. Keep plastic bags away from children and pets to prevent suffocation.
2. Do NOT allow children to play with, in, or around the pet feeder. Please keep close supervision when using near children.
3. Keep batteries away from children to prevent swallowing when using.
4. Do NOT use the feeder with pets not able to reach the food bowl or with any physical disability.
5. Do NOT immerse the base in water, as it may damage the electronic components.
6. Do NOT place any foreign object in the pet feeder.
7. Do NOT use outdoors.
8. Check the feeder frequently to ensure it is operating properly.
9. Do NOT use wet or canned food.
10. Do NOT disassemble the feeder other than as instructed in this manual.
11. Do NOT use the feeder for anything other than its intended use.
12. Only use components recommended by the manufacturer, or it may cause damage to the feeder. Do not modify the pet feeder.
13. Stop using immediately if the feeder malfunctions or has been damaged. Do not repair it by yourself. Contact our after-sales service immediately for further instructions.
14. Always unplug when not in use and before cleaning.
15. Do not pull the power cord to disconnect.
16. Check the feeder is fully assembled before use. Do not plug in if there is water on the power cord or plug.
17. Keep the power cord clear of walking area to avoid tripping.

Caution

1. Do NOT allow pets to chew on or swallow any parts. You can purchase a cord conduit (a hard-plastic protector) to protect the power cord.
2. If an extension cord is necessary, use one with a proper rating.
3. Do NOT place the pet feeder under 4°C/40°F.
4. Use alkaline D batteries. Do NOT use rechargeable batteries.
5. Check the batteries regularly. Always replace with new batteries when leaving for a long period.
6. Do NOT lift the pet feeder by the lid. Hold the base with both hands and lift it in an upright position.
7. Suitable for dry food ONLY, with kibble size ranging from 5-18 mm/0.2-0.7 inches in diameter. Larger kibble may get stuck at the food outlet.
8. Do not put your fingers into the food outlet.

Product Display

Sealing Ring

Desiccant Box

Hopper

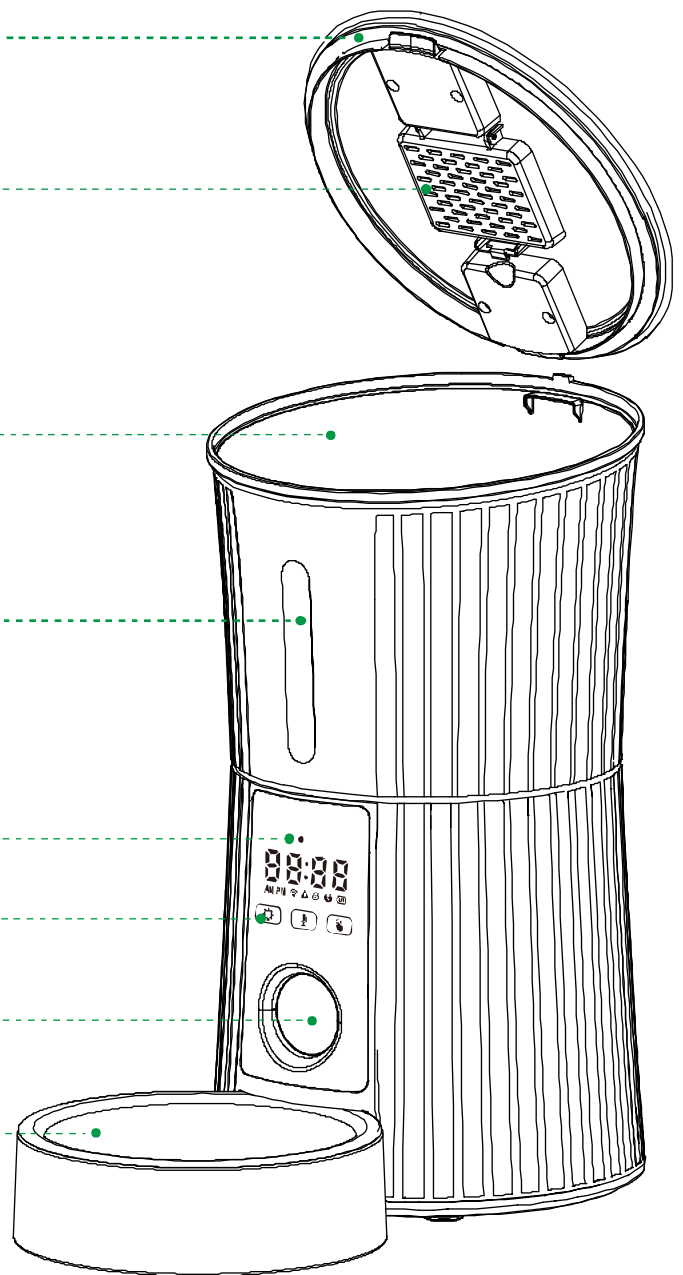
Transparent Window

MIC

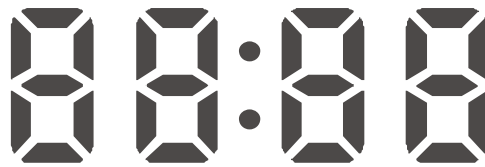
Control Panel

Food Outlet

Food Bowl



Control Panel



AM PM     

Battery Indicator










Record Button

Reset Button



Manual Feed Button

Lock/Unlock Button

| Icon | Meaning |
|---|--|
|  | Initial setting time is 10:08; automatically synchronize network time when connected to the network |
|  | Blinking white: Waiting to connect to network Solid white: Connected to Wi-Fi Blinking red: Offline |
|  | Blinking red: Mechanical error |
|  | Solid white: Button locked |
|  | Solid white: Connected external power |
|  | Blinking white: No battery Solid white: Batteries installed Blinking red: Low battery |
|  | Long press to reset the device |
|  | Long press to record or cancel audio |
|  | Press and hold 2s at the same time to unlock/lock the feeder |

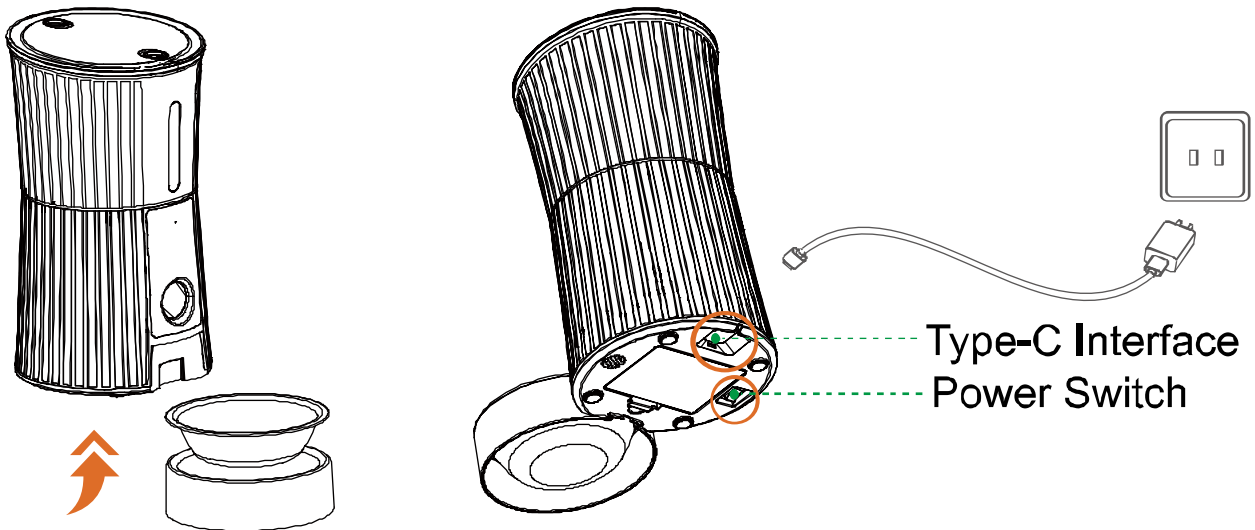
Note: The screen will be locked automatically without operation for 90s.

Product Specifications

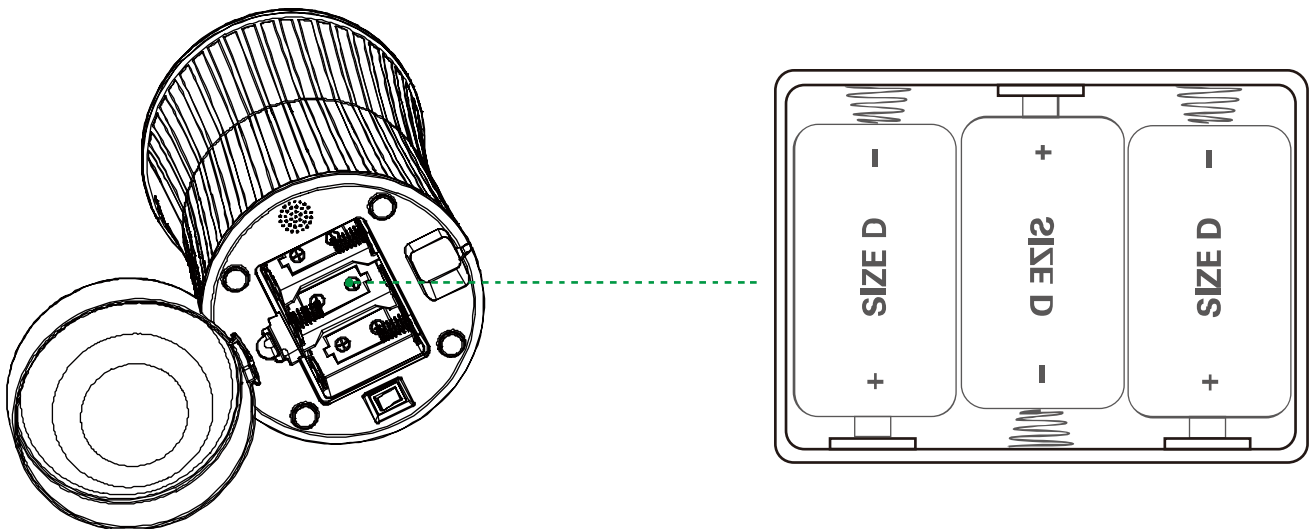
| | |
|---------------------|---|
| Product Model | PC-WSQ1WWF-4WT |
| Input | DC 5V |
| Dimensions & Weight | 13*7.7*14 Inches; 4.45 Pounds |
| Dual Power | 5V Power Adapter; 3 D-Cell Batteries (Not Provided) |
| Capacity | 16.9 Cups (Only Dry Food) |
| Feeding Setting | 1-50 Portions; 10g Per Portion; 10 Meals Per Day |

Usage Instruction

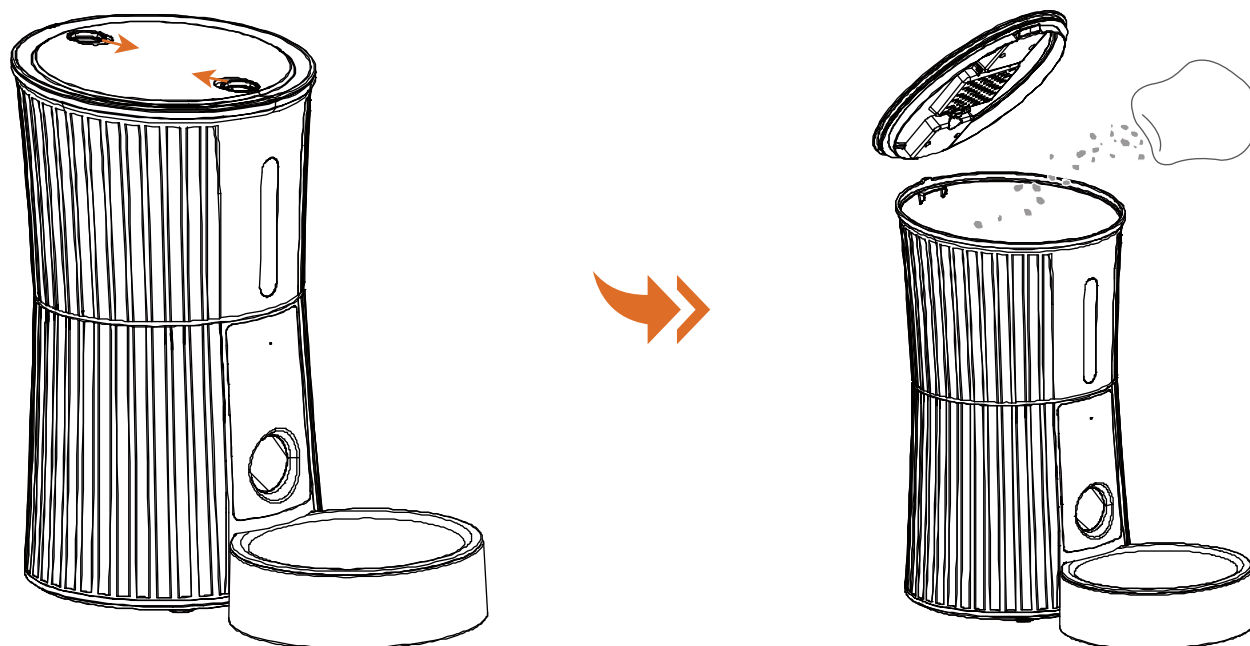
1. Assemble the bowl. Plug in the power adapter and ensure the power switch is in the "I" position.



2. Recommended to install the batteries (not provided) for backup power.



3. Press inward at the same time to open the lid and put kibble in the hopper.
(Recommended kibble size: 5-8 mm/0.2-0.7 inches in diameter)



Initial Setup

Connect to APP

System Requirements:

1. iOS 11.0.0+ or Android 5.0.0+
2. Not suitable for iPad
3. Wireless router 2.4GHZ

Install the APP and Log in

1. Search for "Smart Life" in your phone's app store or scan the QR code to download the app.

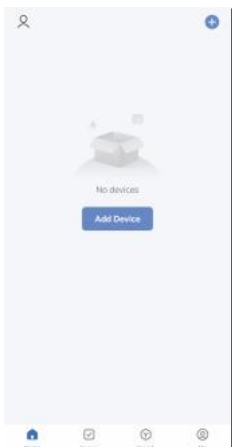


2. Sign up and log in your account.

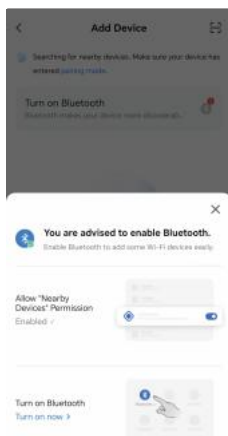
Note: Both methods below require Bluetooth to be enabled.

Add the Device

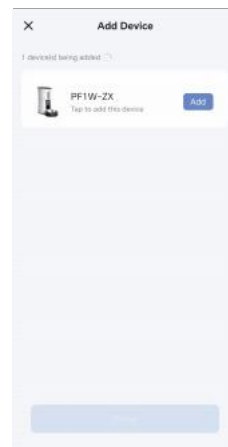
A: Add the feeder via Bluetooth mode



① Click "Add Device"



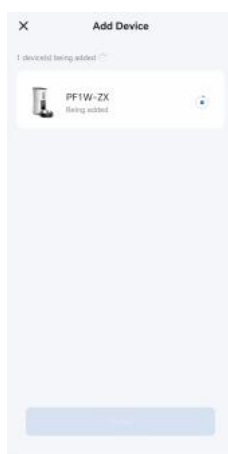
② Allow APP to access Bluetooth



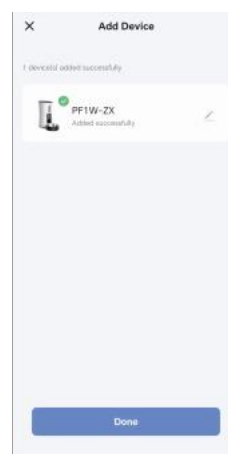
③ Add discovered device



④ Enter 2.4GHz Wi-Fi name and password

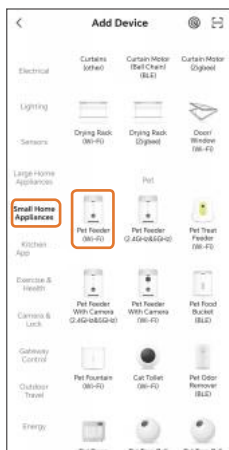


⑤ Waiting for connecting



⑥ Connected successfully

B: Add the feeder manually



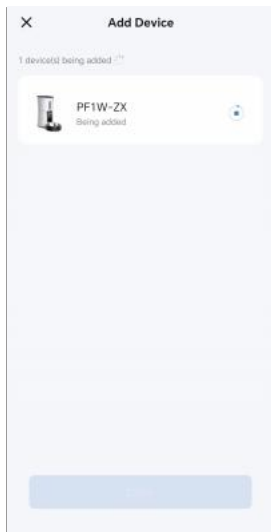
① Choose "Add Manually", and find Pet Feeder (Wi-Fi) on the "small home appliances" page



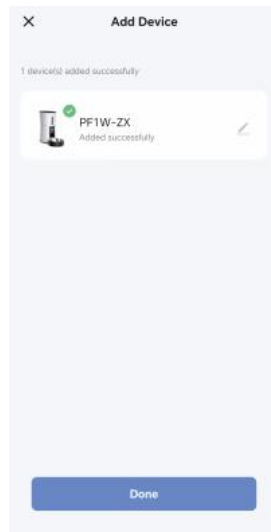
② Enter 2.4GHz Wi-Fi name and password



③ Press and hold the Reset button for 5 seconds until the Wi-Fi indicator blinks; then select the status of the indicator light



④ Waiting for connecting

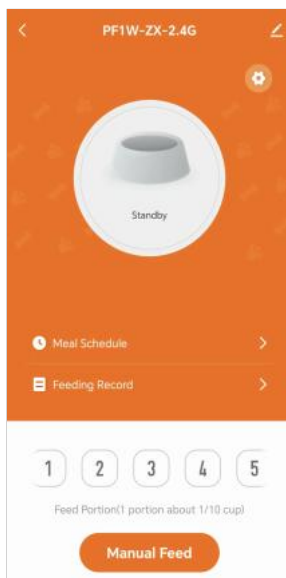


⑤ Connected successfully

Daily Feeding

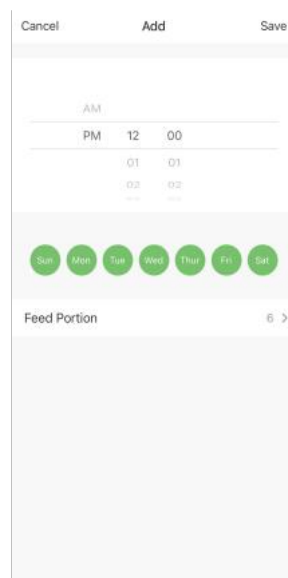
Manual Feeding

Choose **"Feed Portion"** → **"Manual Feed"**
 (For reference: 1 portion about 1/10 cup)



Set Meal Schedule

"Schedule" → **"Add"** → Set feeding time,
 feeding days, feeding portions

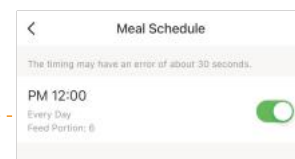


----- Swipe the screen to choose feeding time

----- Highlight days to feed

----- Click to set feed portions

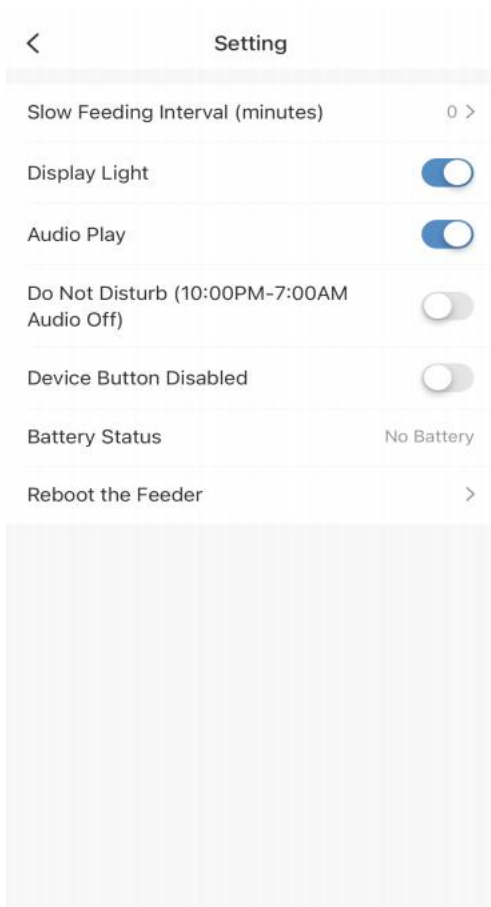
----- Save the setting, and it shows on the schedule.



Feeding Record & Alarm Notification

After feeding, there will be feeding records in the app. The feeding records for the last 7 days will be shown. When an error occurs, the number of portions will show 0. You can click "ME"-**"Message Center"** to view the alarm notification.

Setting Page Guide



Slow Feeding Interval (minutes)

Set the interval time between each portion (0-10 mins).

Display Light

Turn on/off the indicators on the display.

(If the power is supplied by the adapter only, the display will always be lit. If it's supported by 3*D batteries only, without operation for 2 mins, the screen will turn off automatically. Pressing any button can awaken it.)

Audio Play

Only when recorded; maximum play time is 10 seconds.

Do Not Disturb (10:00PM-7:00AM Audio Off)

If you turn it on, the audio will not play from 10:00 pm to 7:00 am.

Device Button Disabled

Turn this on; all feeder buttons are disabled. The screen displays "LLLL" when the function is active.

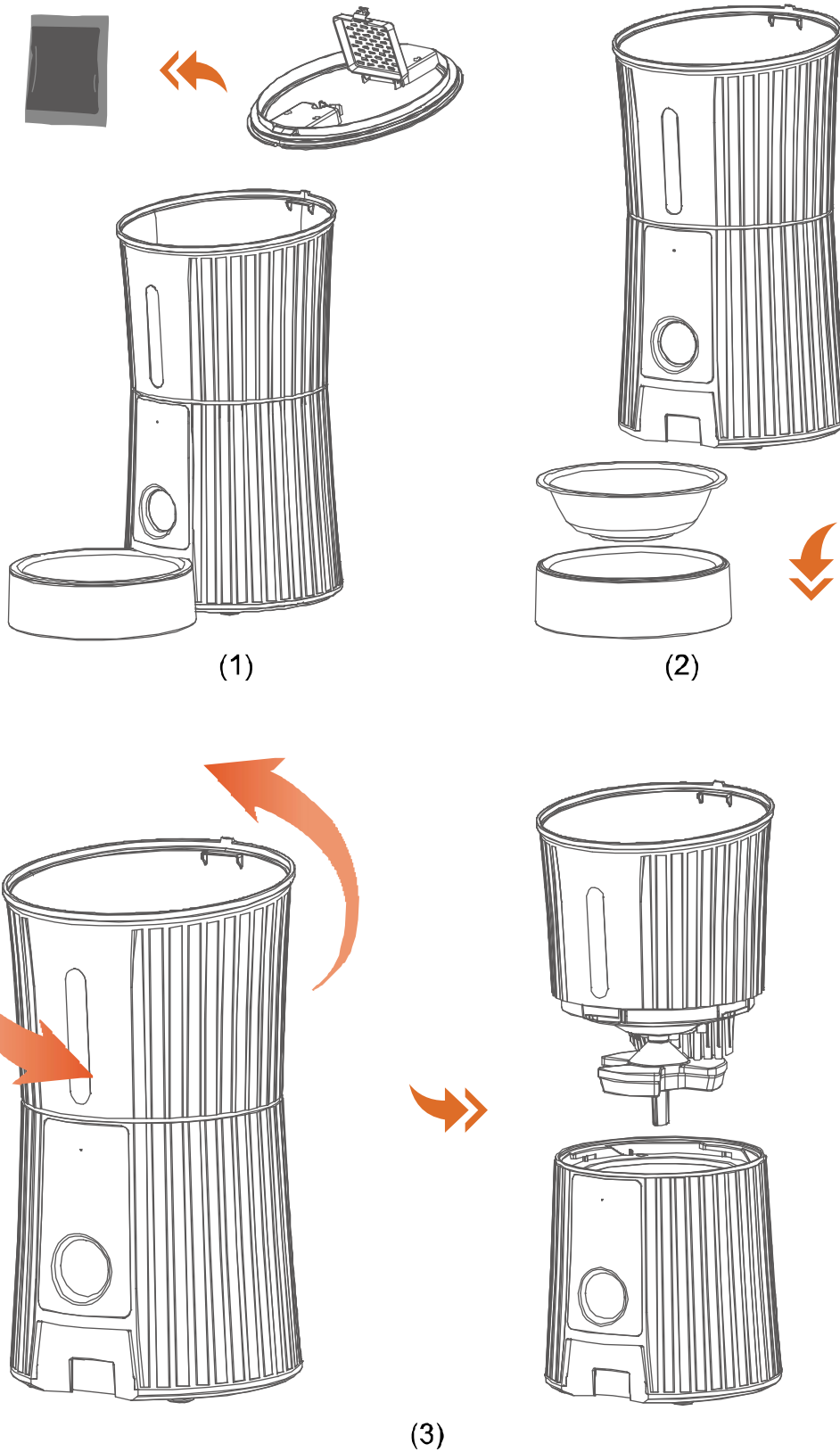
Battery Status

Show battery level: low battery or no battery.

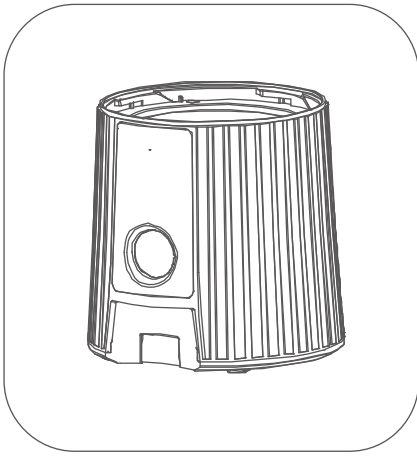
Reboot the Feeder

Feeding settings are retained after reboot.

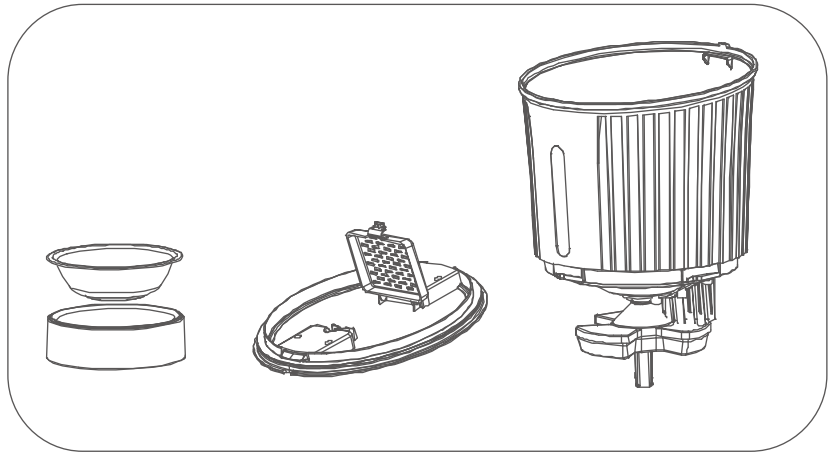
About Cleaning



- (1) Open the lid and take out the desiccant.
- (2) Remove the food bowl and empty the kibble in the hopper.
- (3) Rotate the hopper counterclockwise to separate it from the base.



The base unit cannot be submerged in water.



The food bowl, hopper, and lid can be washed in the sink.

Troubleshooting

| Problem | Solution |
|--|---|
| Fail to connect to the network | <ol style="list-style-type: none"> 1. Please use the power adapter to supply power. 2. Make sure the phone and router are as close to the device as possible. 3. Please select 2.4GHz network or multi-band network. 4. Please make sure the Wi-Fi name and password are correct. |
| How to check the MAC address of the feeder | Online status: click "⌵"-"Device Information" |
| The feeder is offline/Red Wi-Fi indicator light is on | <ol style="list-style-type: none"> 1. Check the router signal is connected. 2. When the device is supplied by battery, the feeder will automatically disconnect from the network to save power, which is normal. |
| Does the feeder dispense food on schedule when offline | Of course. |
| The fault indicator light is on | <p>E-01: Food outlet is blocked—clean the outlet</p> <p>E-02: Food jam or motor does not turn—after cleaning the outlet, shake the hopper and restart the machine. If not work, please contact our after-sales service.</p> <p>E-03: Food has run out—add more food</p> |
| How to restore factory settings | In the unlocked state, press and hold the reset button for 6 seconds until you hear the beep. |
| The display time is not correct | <ol style="list-style-type: none"> 1. Check network connection status, automatically synchronize network time when connected to the network. 2. Check the time zone: "Me"→click profile photo→"Time Zone" |
| Display screen dimmed | <ol style="list-style-type: none"> 1. 10:00 pm-7:00 am: the display screen dimmed automatically. 2. Low battery status: the display screen dimmed. |

FCC Statement

This device complies with part 15 of the FCC Rules. Operation is subject to the following two conditions:

- (1) This device may not cause harmful interference.
- (2) This device must accept any interference received, including interference that may cause undesired operation.

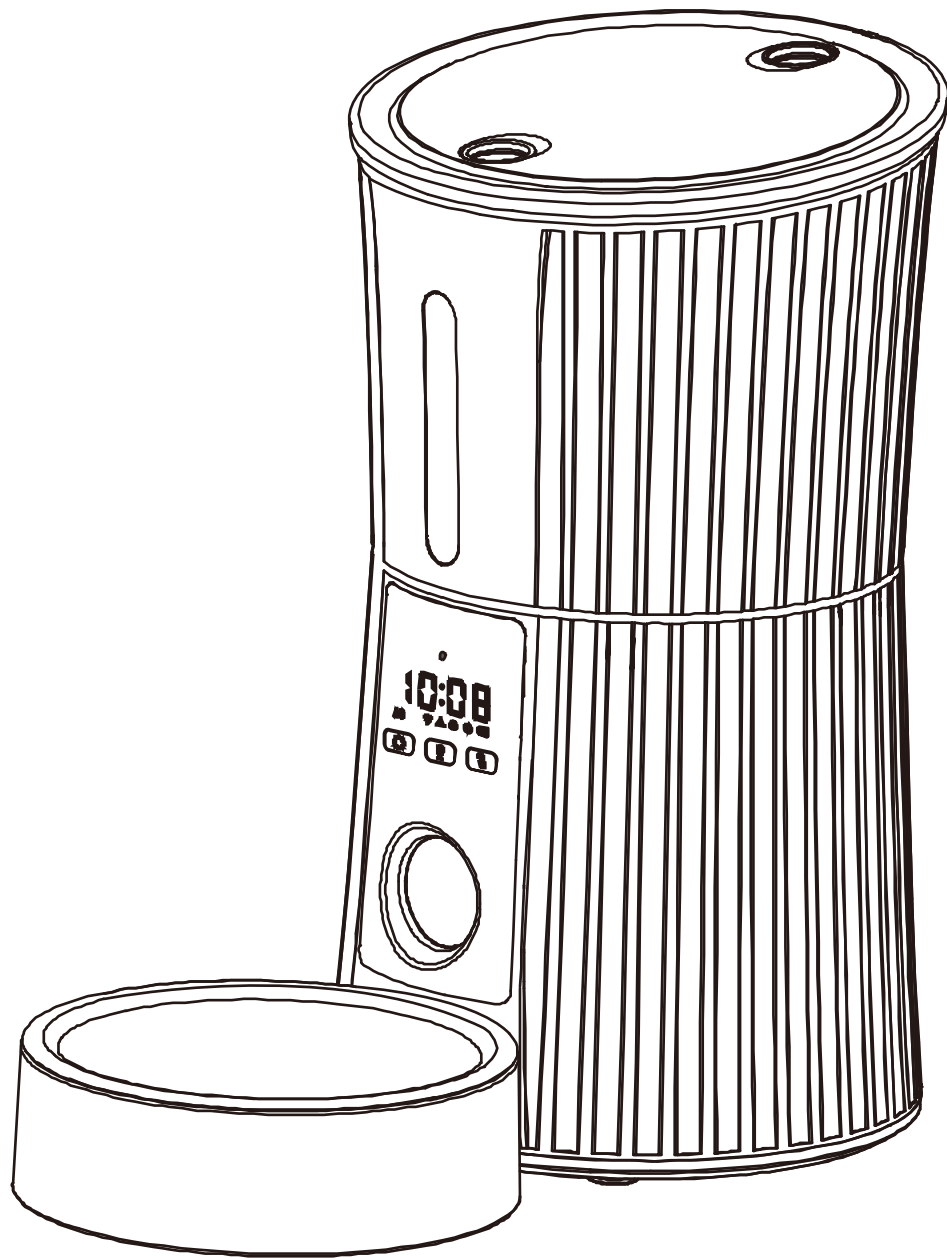
Any changes or modifications not expressly approved by the party responsible for compliance could void the user's authority to operate the equipment.

NOTE: This equipment has been tested and found to comply with the limits for a Class B digital device, pursuant to part 15 of the FCC Rules. These limits are designed to provide reasonable protection against harmful interference in a residential installation. This equipment generates, uses and can radiate radio frequency energy and, if not installed and used in accordance with the instructions, may cause harmful interference to radio communications. However, there is no guarantee that interference will not occur in a particular installation. If this equipment does cause harmful interference to radio or television reception, which can be determined by turning the equipment off and on, the user is encouraged to try to correct the interference by one or more of the following measures:

- Reorient or relocate the receiving antenna.
- Increase the separation between the equipment and receiver.
- Connect the equipment into an outlet on a circuit different from that to which the receiver is connected.
- Consult the dealer or an experienced radio/TV technician for help.

To maintain compliance with FCC RF Exposure Guidelines, this equipment should be installed and operated with a minimum distance of 20 cm between the radiator and your body. And use only the supplied antenna.





Technical Support

(909)637-7665 | (909)637-7593

Other Info

HJ-Customer-Service@outlook.com

Thank you for choosing this product. We strive to provide you with the best quality products and service in the industry. Should you have any issues, please don't hesitate to contact us.