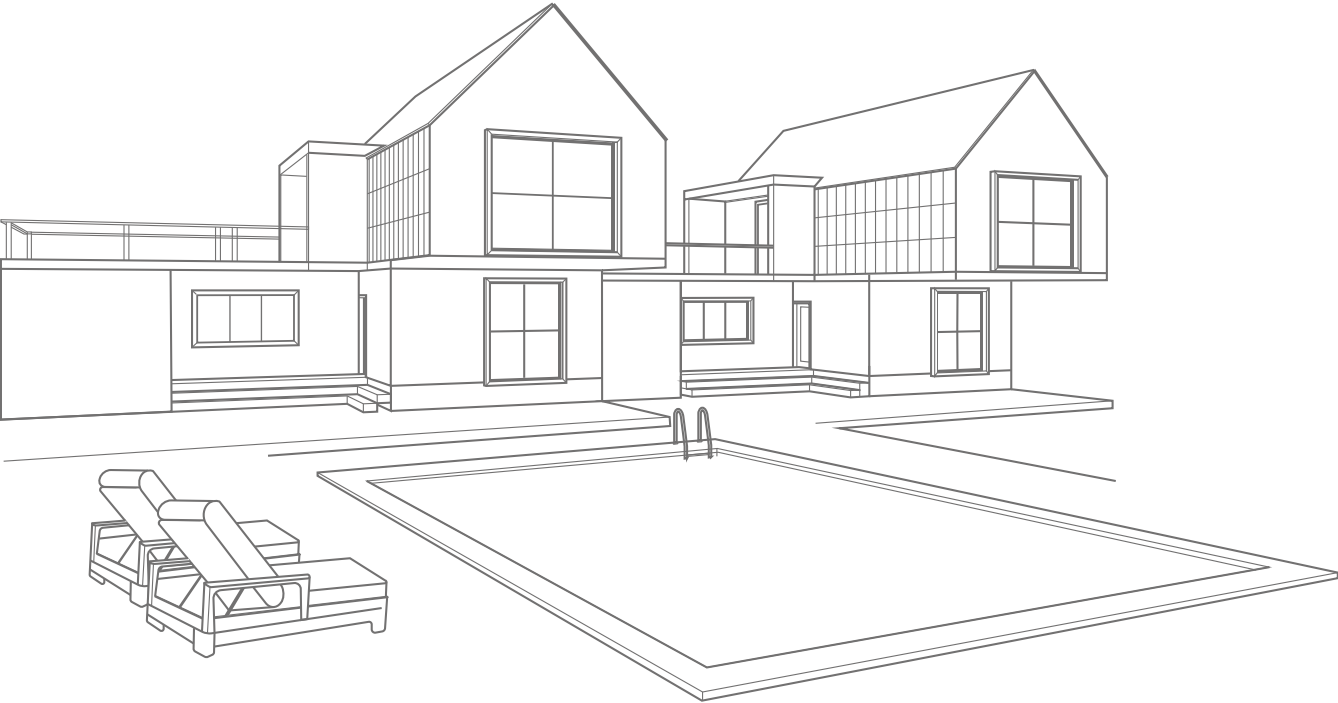


Fireplace TV Stand

Product ID. QUH3Q



Scan for Support



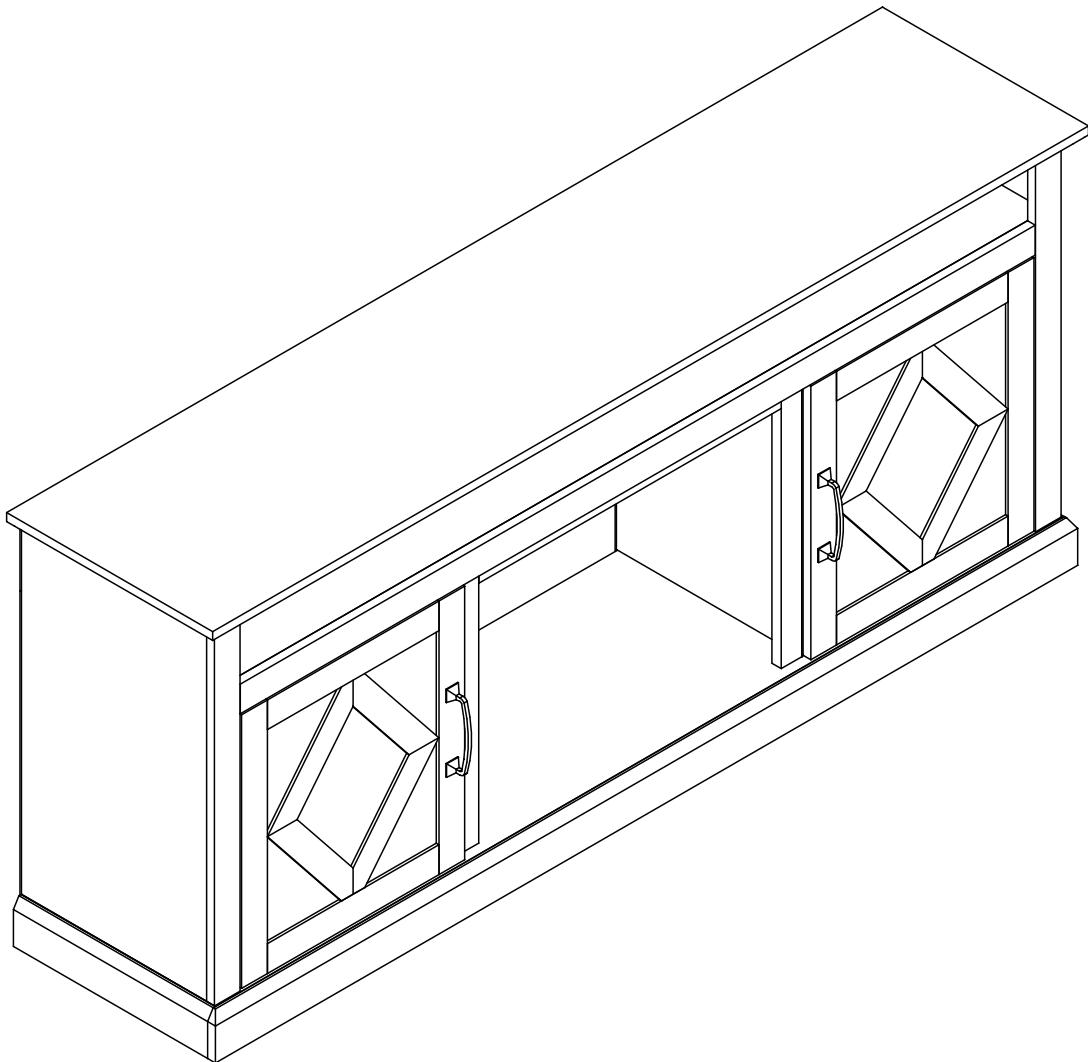
Distributed by
GARVEE.com

support@garvee.com



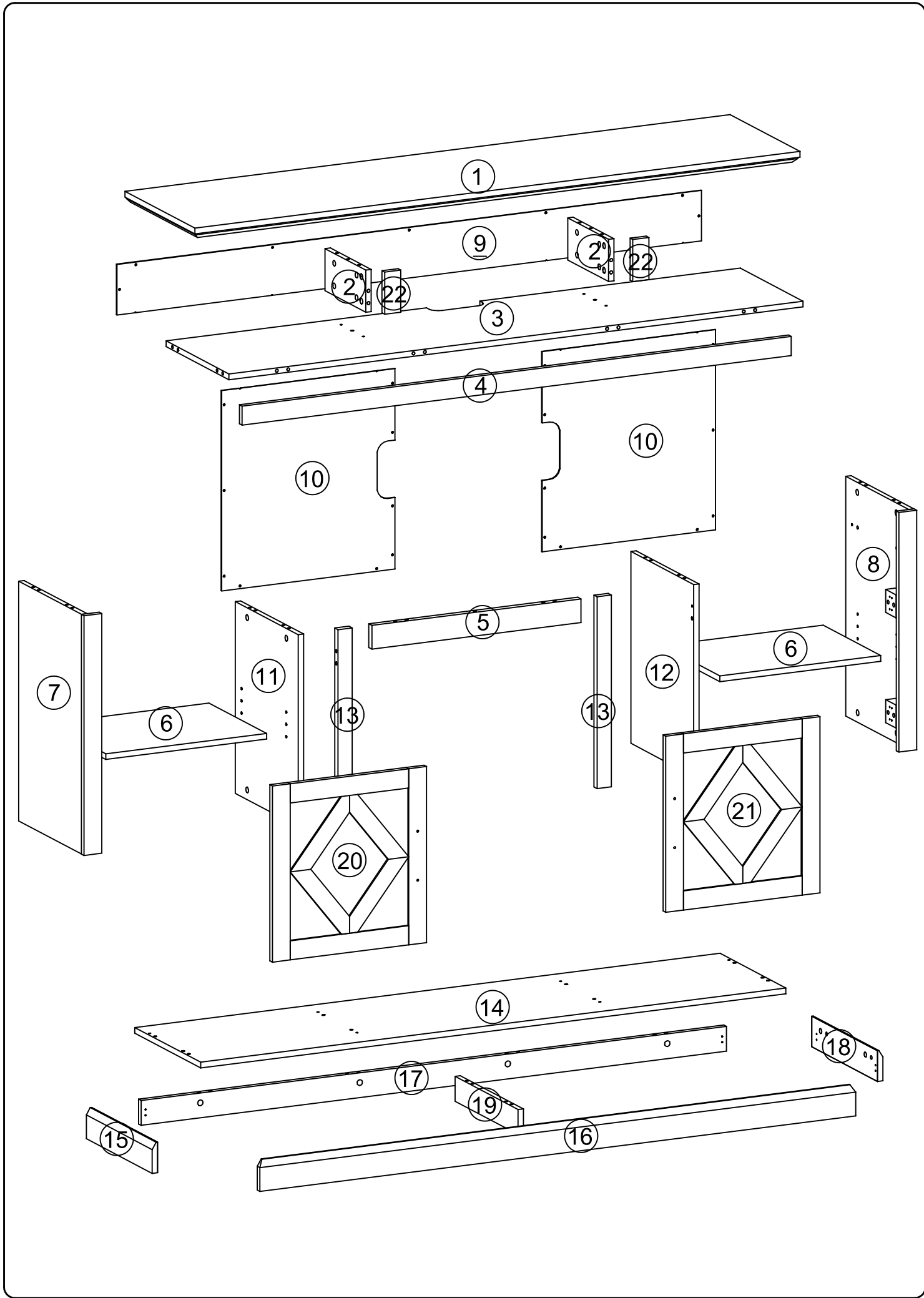
Electric Fireplace

INSTRUCTION MANUAL



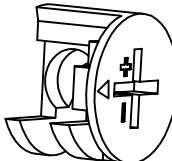

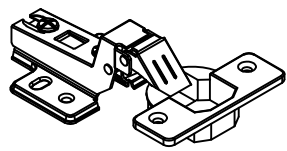
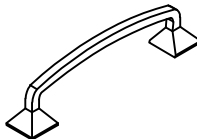

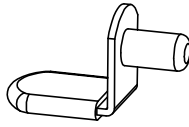
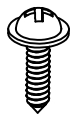

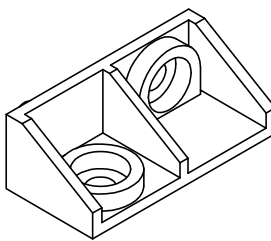
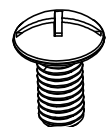
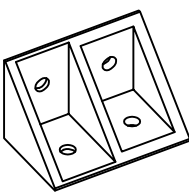
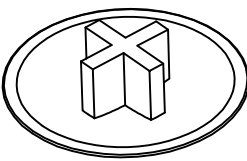
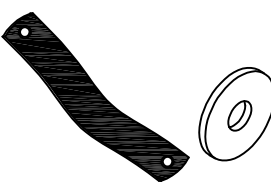
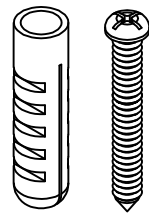
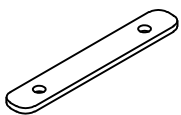


MODEL: J01112-67



Thank you for purchasing we Electric Fireplace. Before operating this unit, please read these instructions completely and keep the manual ready for further reference.

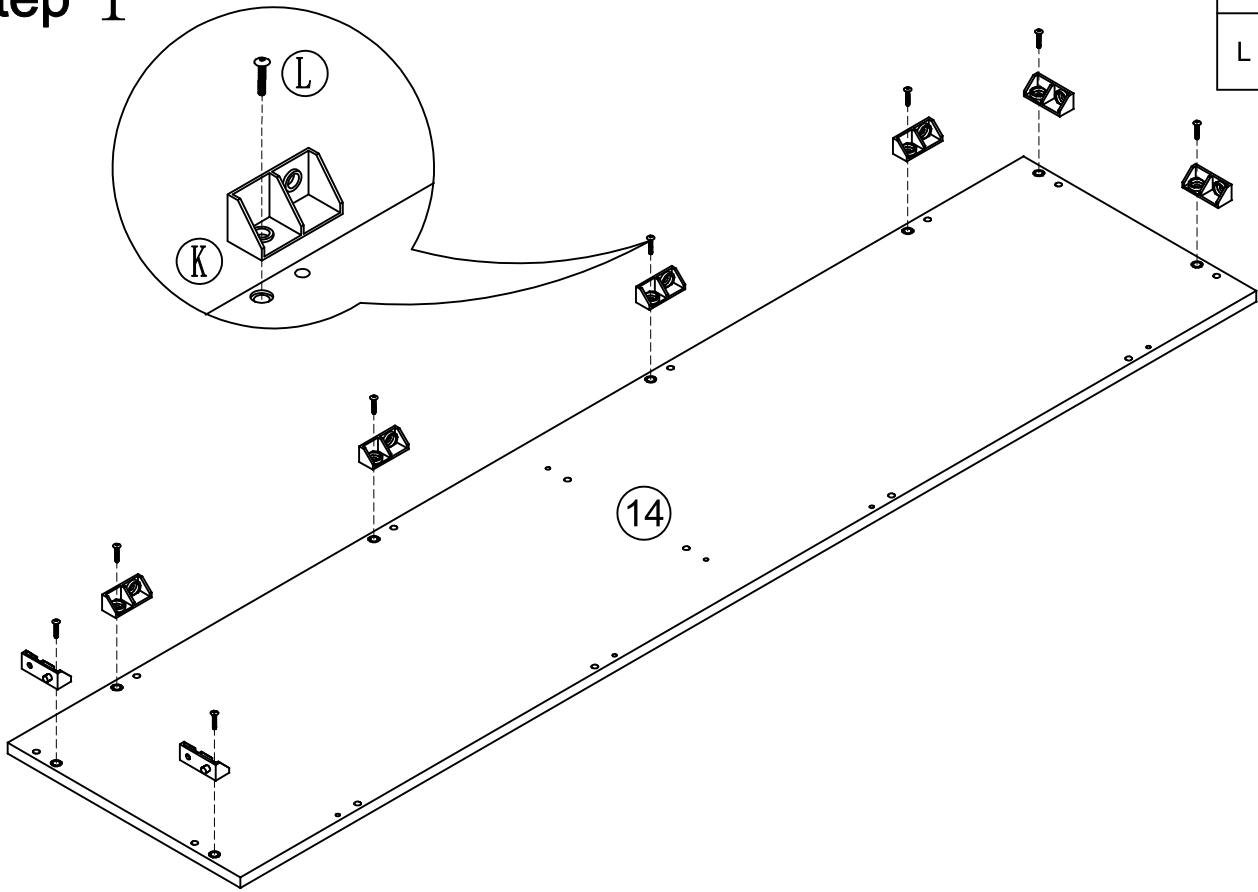


PACKAGE CONTENT (A)		
CODR	DESCRIPTION	QTY
1	Panel combination	1
2	Small neutral board	2
3	fixed laminate	1
4	Qian Lishui	1
5	middle front stop	1
6	Active Laminate	2
7	Right side panel combination	1
8	left panel combination	1
9	mid back panel	1
10	side panel	2
11	Right middle side panel	1
12	Left middle side panel	1
13	Middle vertical front stop	2
14	bottom plate	1
15	standing water on the right	1
16	Qian Lishui	1
17	standing water	1
18	Standing water on the left	1
19	Bottom neutral water	1
20	Right door panel combination	1
21	Left door panel combination	1
22	Small midplane bezel	2

<p>(A)</p>  <p>49X+1X</p>	<p>(B)</p> <p>Ø8x30mm</p>  <p>42X+1X</p>	<p>(C)</p> <p>Ø15</p>  <p>49X+1X</p>	<p>(D)</p> <p>Ø3.9x15mm</p>  <p>24X+1X</p>
<p>(E)</p>  <p>4X</p>	<p>(F)</p>  <p>2X</p>	<p>(G)</p> <p>Ø5/32"x20mm</p>  <p>4X</p>	<p>(H)</p>  <p>8X</p>
<p>(I)</p> <p>Ø3.5x16mm</p>  <p>31X+1X</p>	<p>(J)</p> <p>Ø3.9x15mm White</p>  <p>28X+1X</p>	<p>(K)</p> <p>58*29*29</p>  <p>8X</p>	<p>(L)</p> <p>Ø1/4"x12mm</p>  <p>16X</p>
<p>(M)</p> <p>32*19*19mm</p>  <p>6X</p>	<p>(N)</p>  <p>50X</p>	<p>(O)</p>  <p>2X+4X</p>	<p>(P)</p> <p>32*19*19mm</p>  <p>2X+2X</p>
<p>(Q)</p> <p>45*12*1mm</p>  <p>2X</p>			

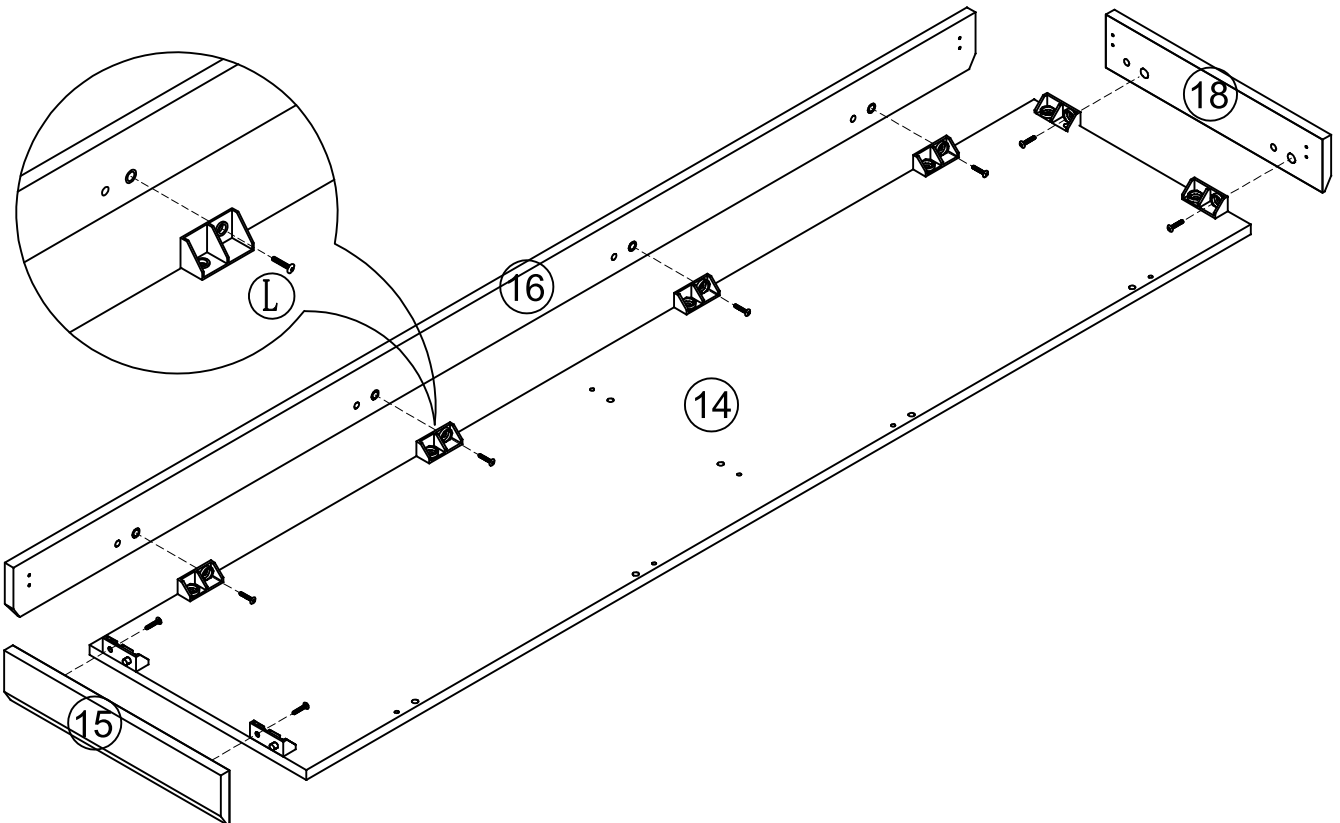
Step 1

K		8
L		8


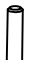


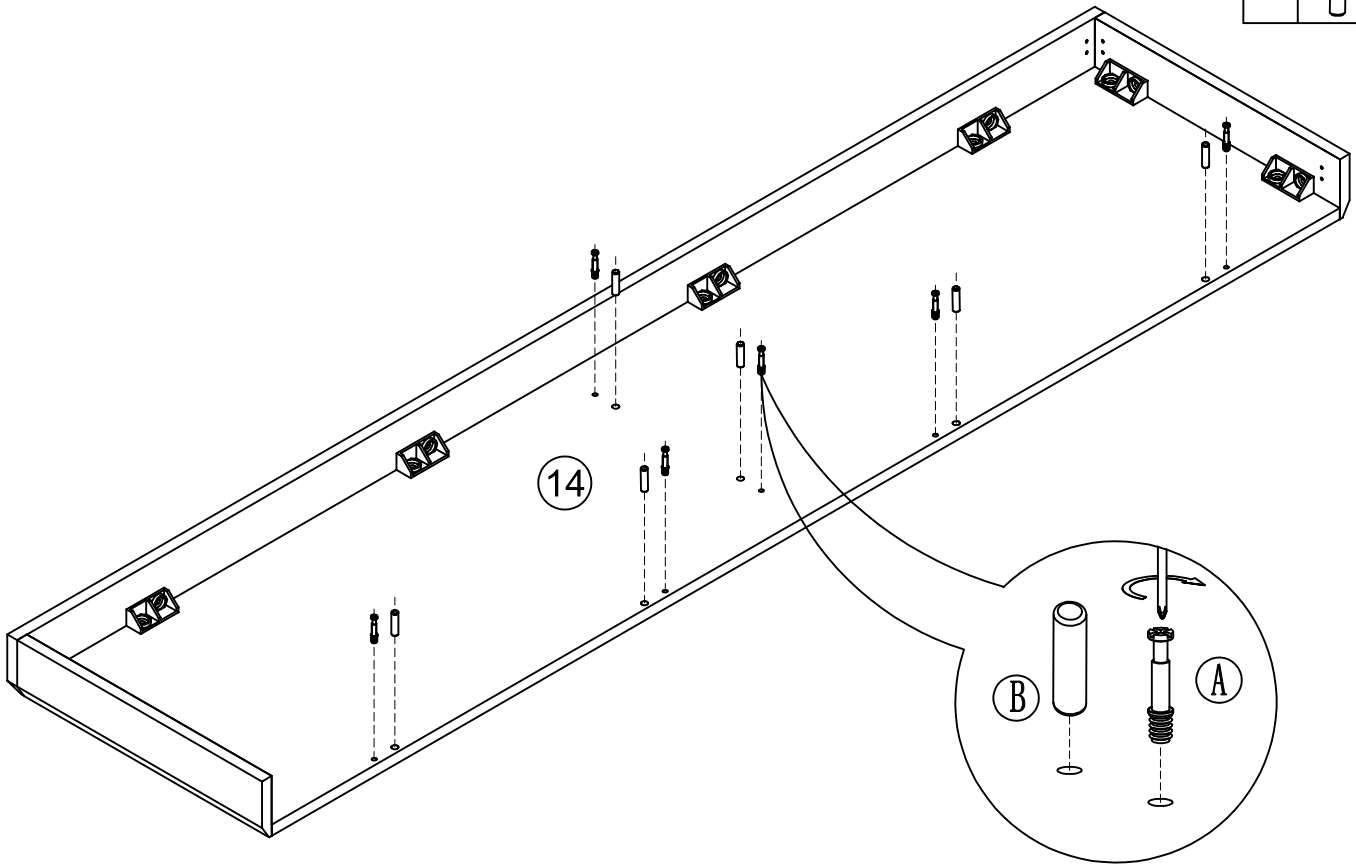
Step 2

L		8
---	---	---



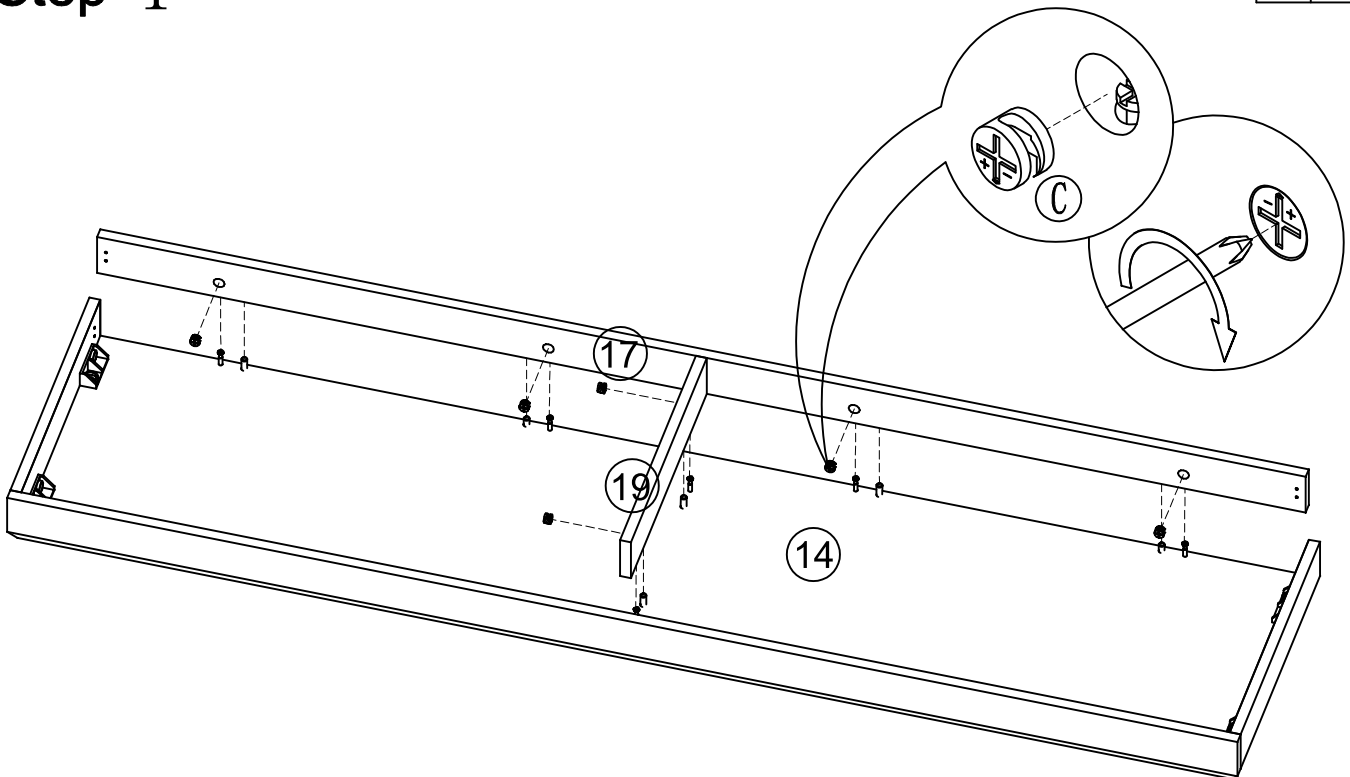
Step 3

A		6
B		6





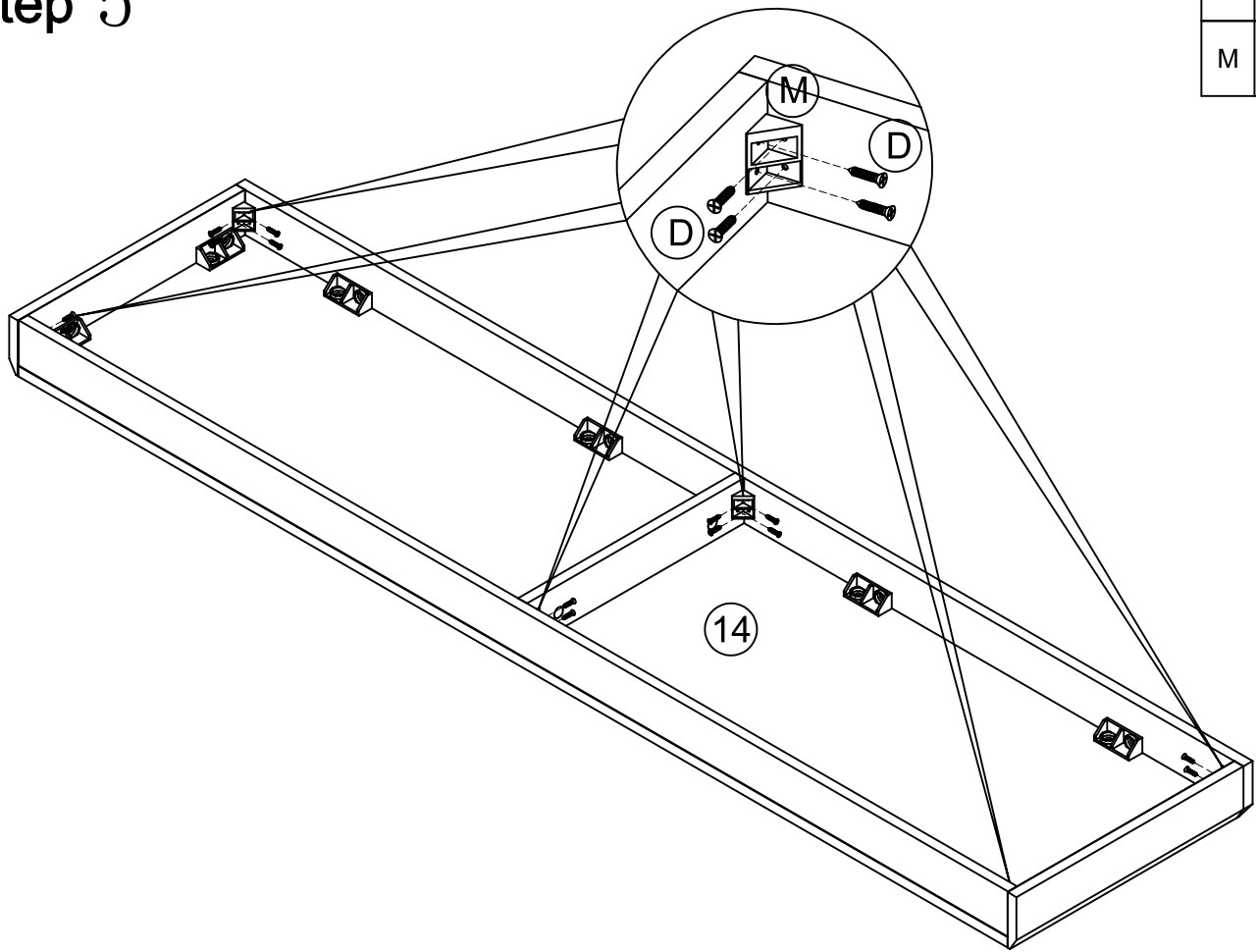
Step 4

C		6
---	---	---






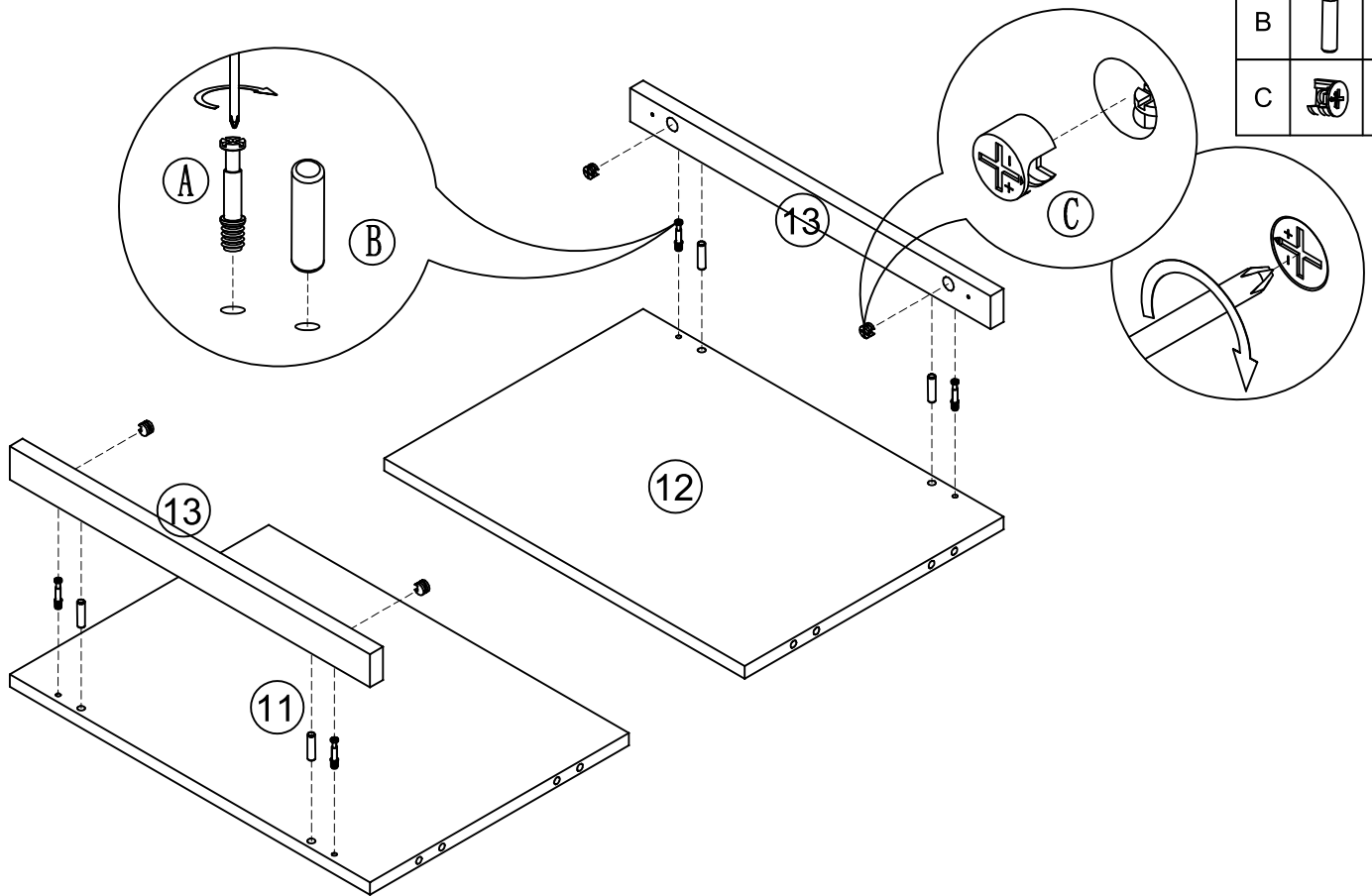
Step 5

D		24
M		6

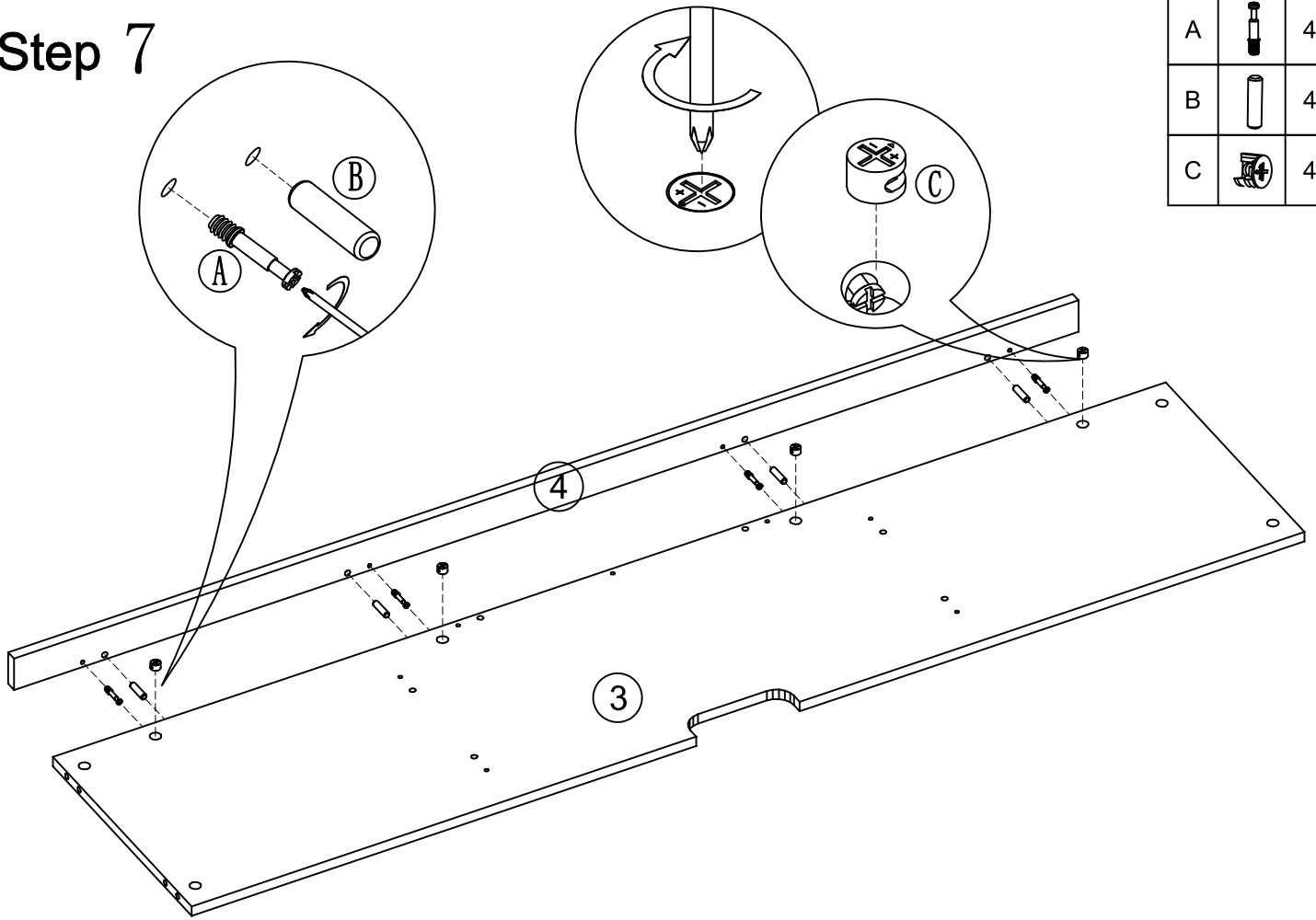


Step 6

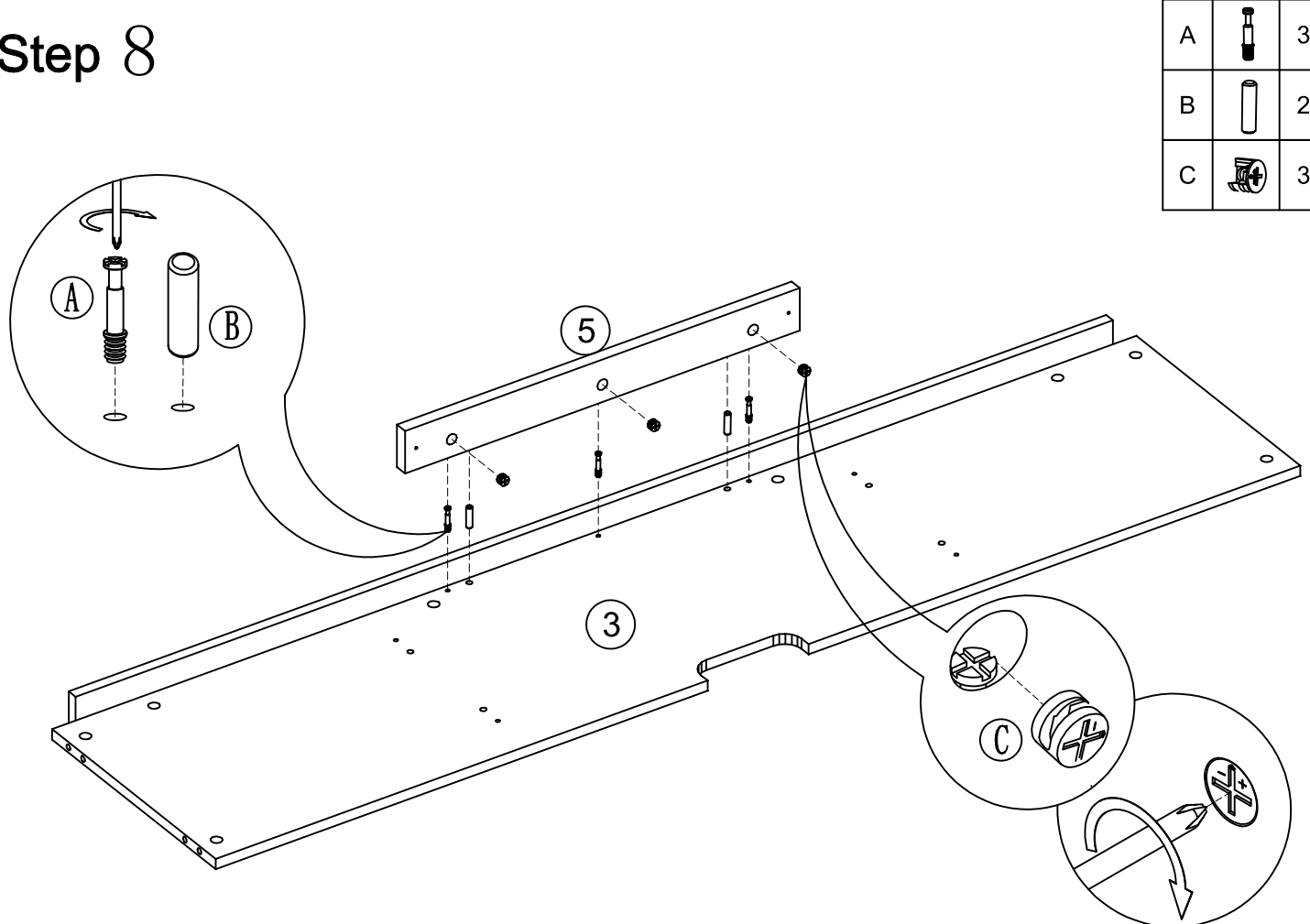
A		4
B		4
C		4



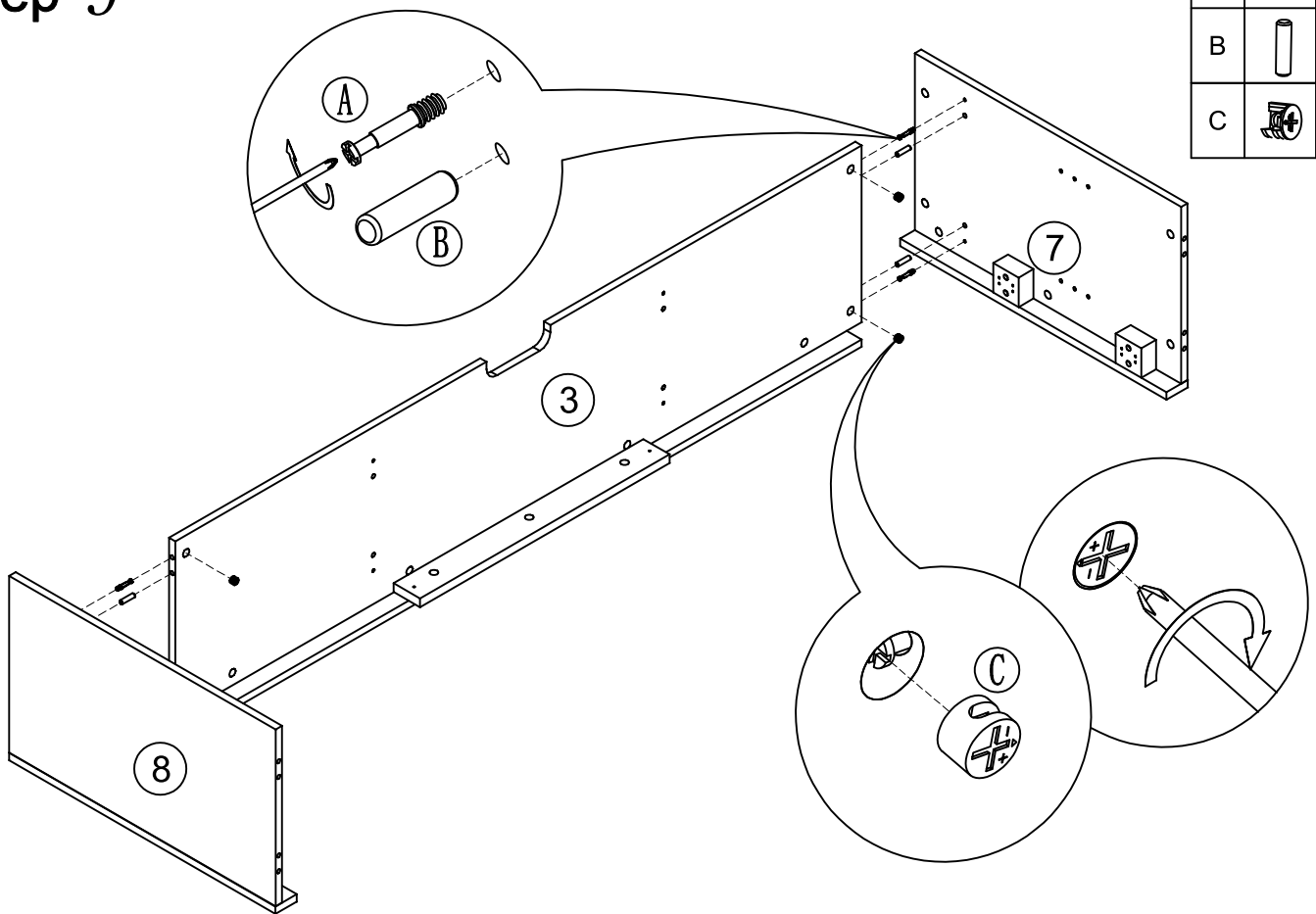
Step 7



Step 8

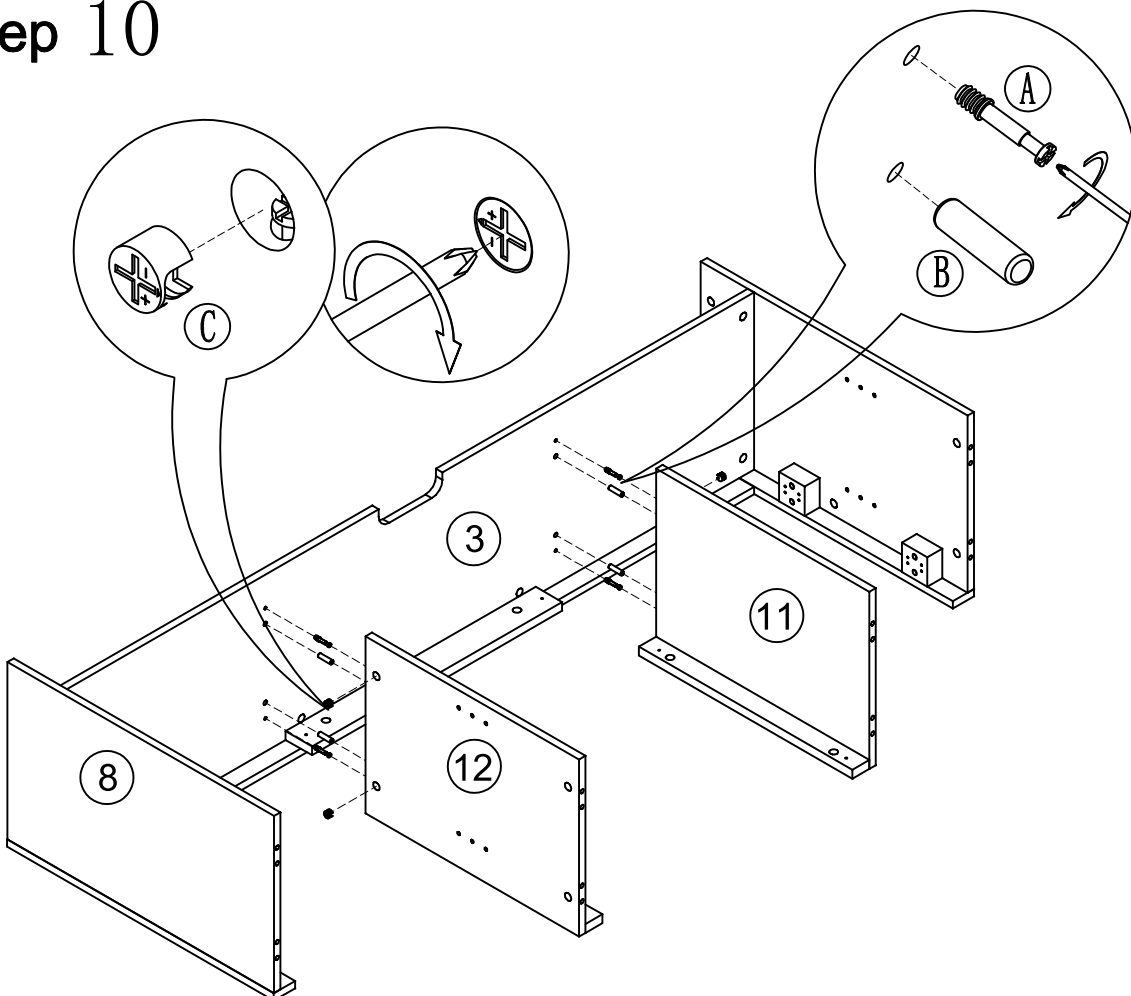


Step 9





A		4
B		4
C		4

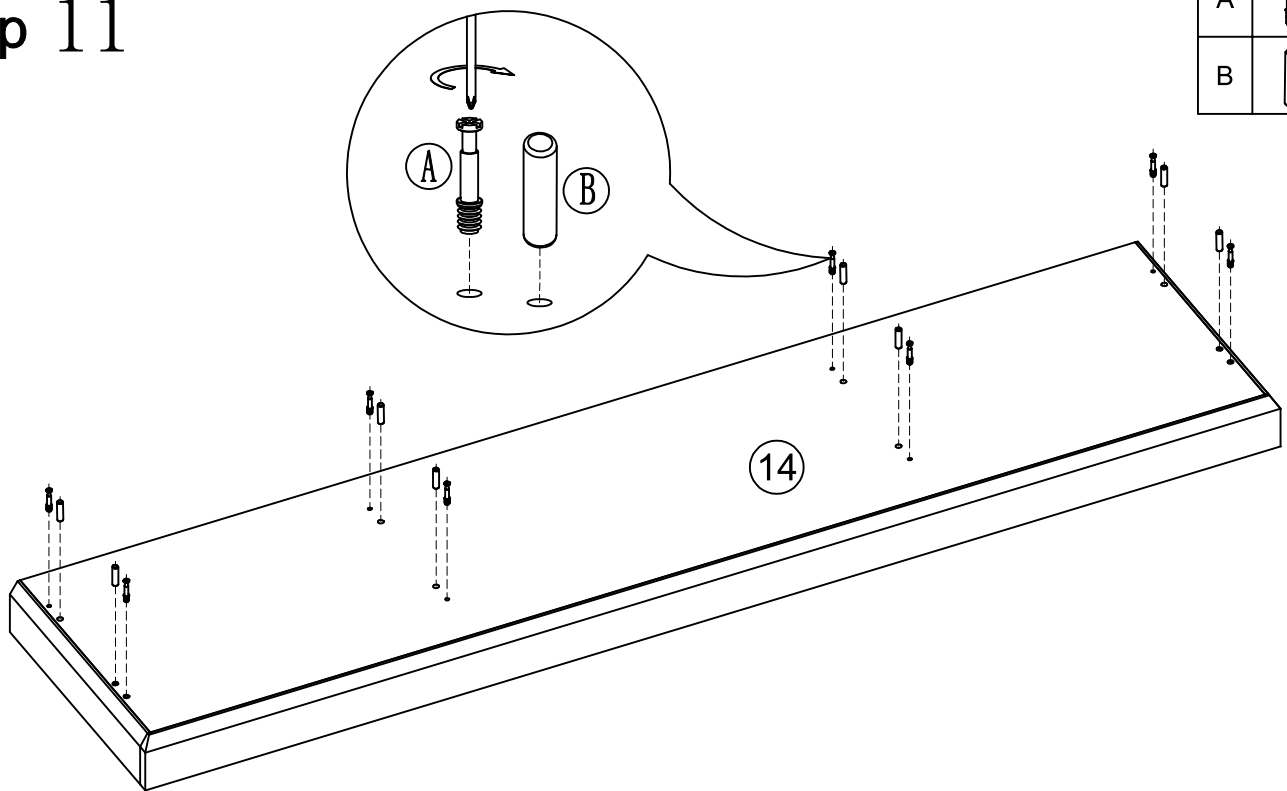
Step 10




A		4
B		4
C		4

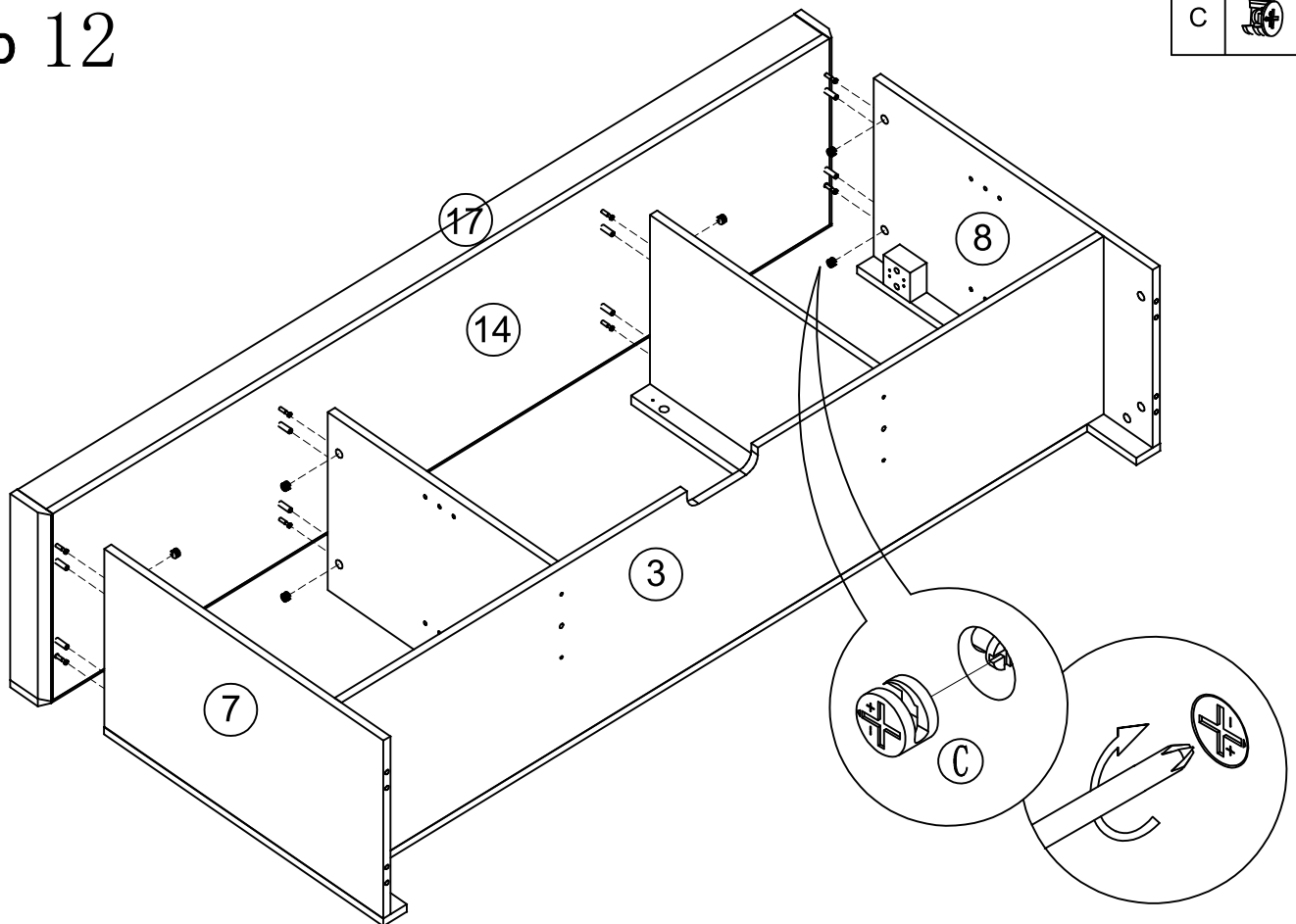
Step 11

A		8
B		8





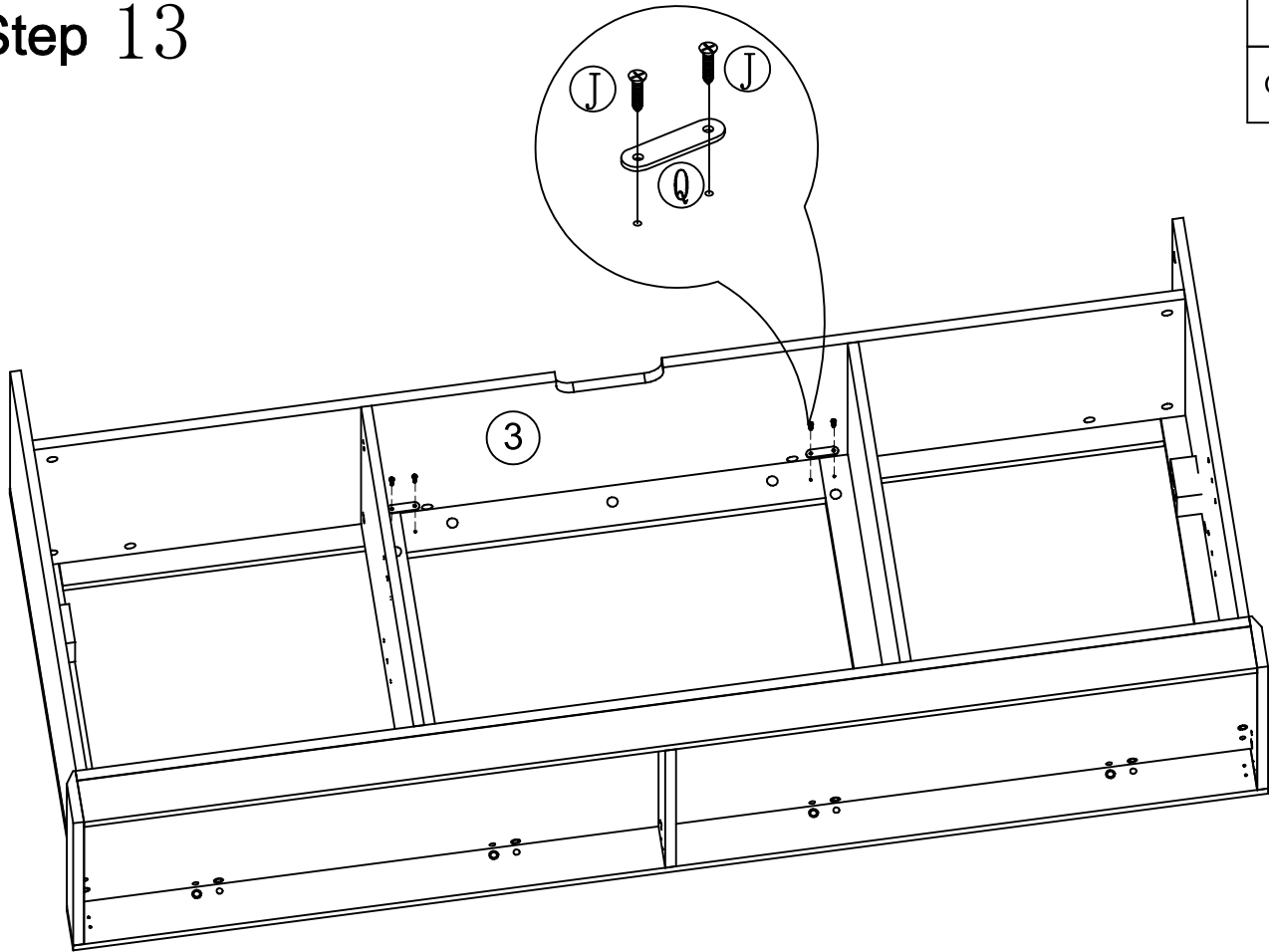
Step 12

C		8
---	---	---






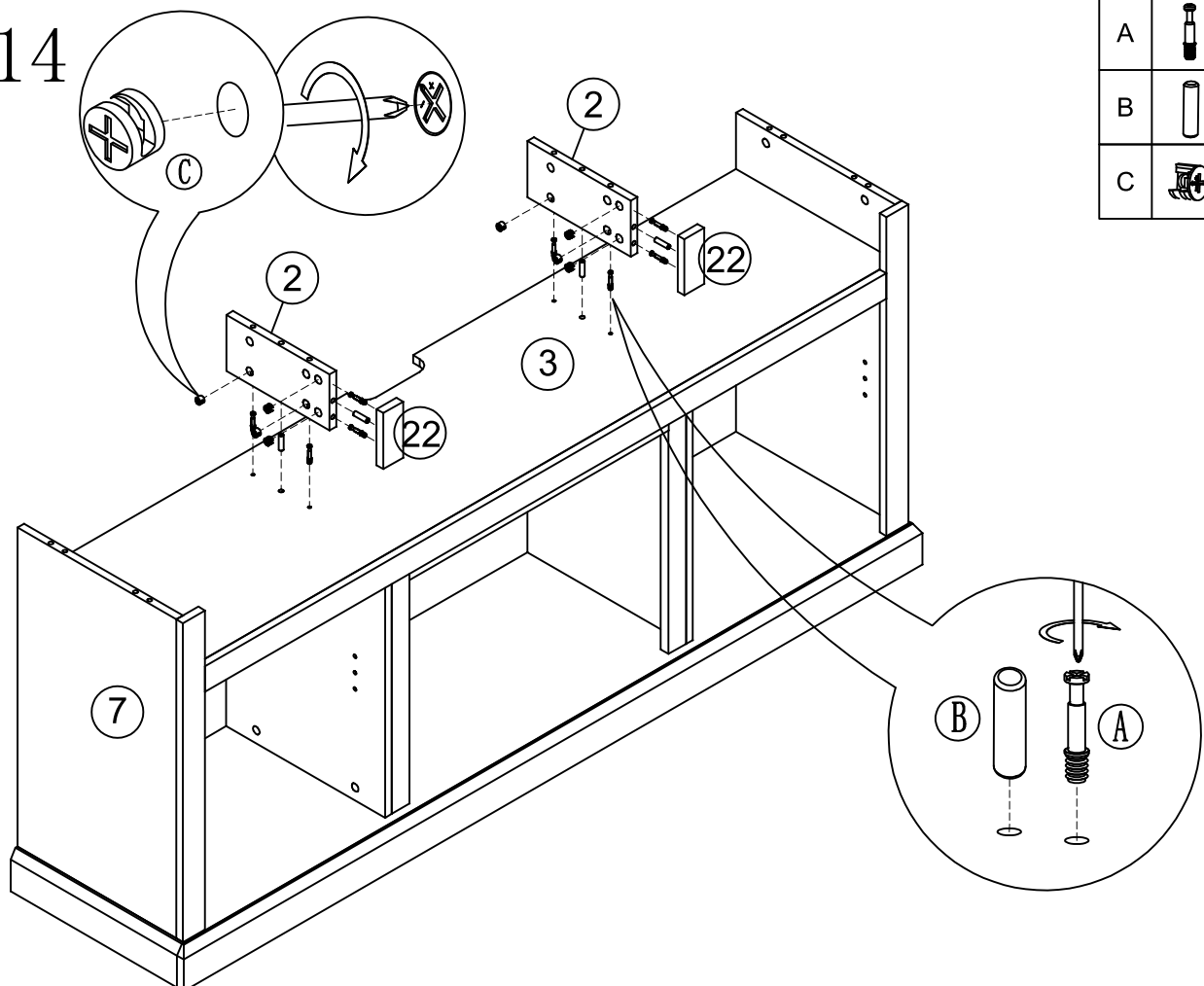
Step 13

J		4
Q		2




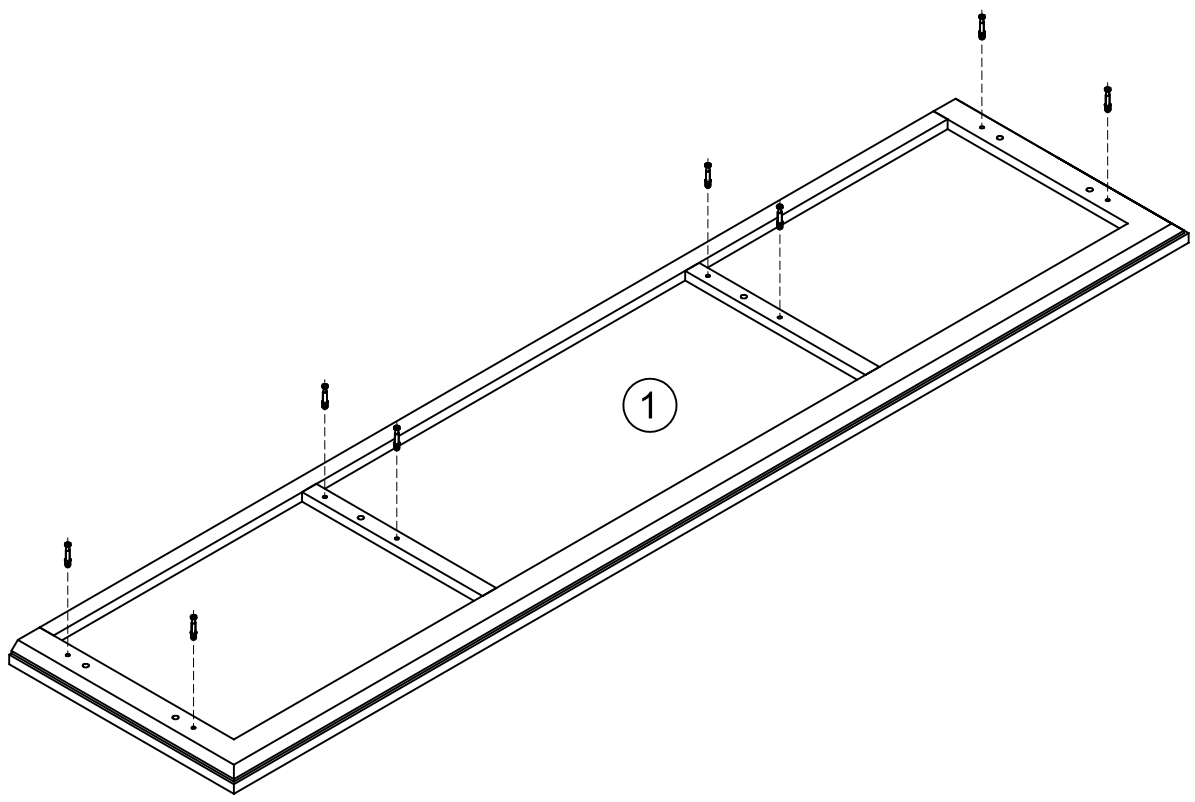
Step 14

A		8
B		4
C		8





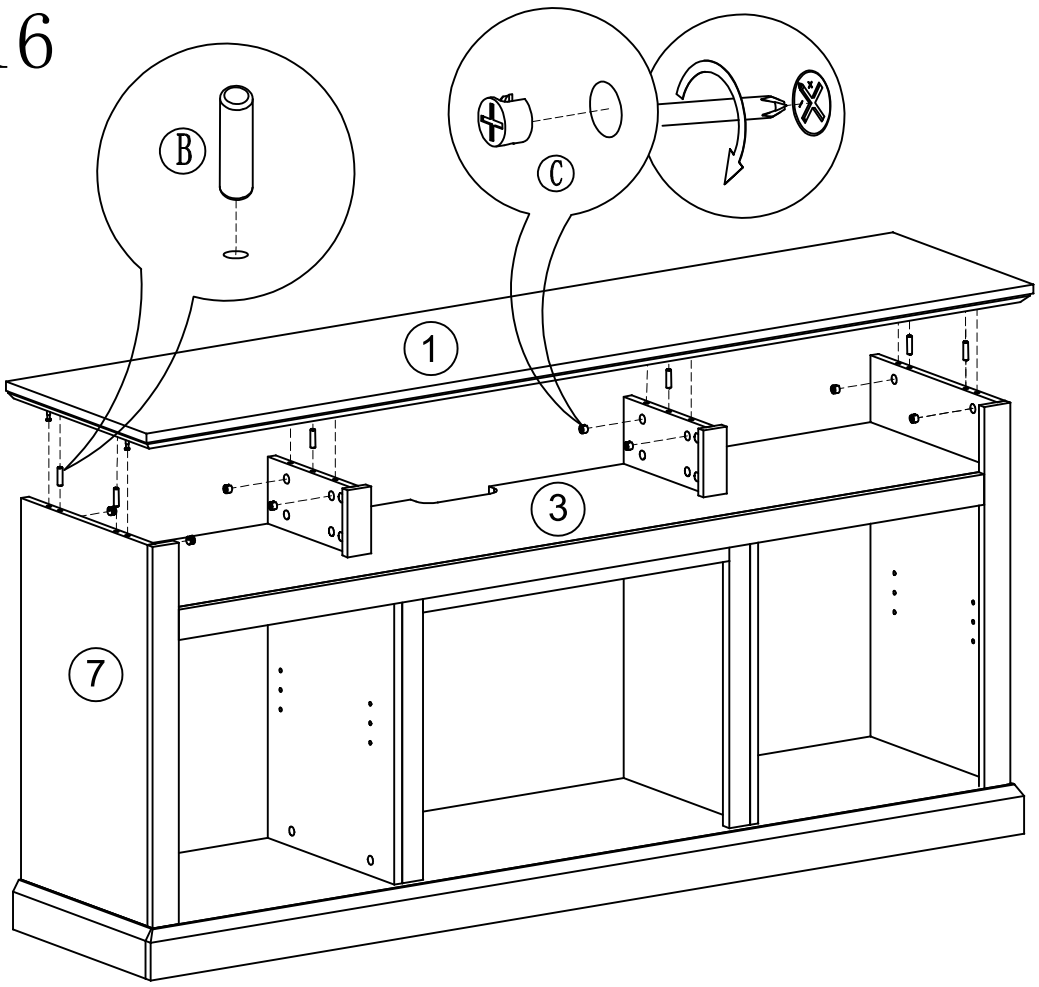
Step 15

A		8
---	---	---





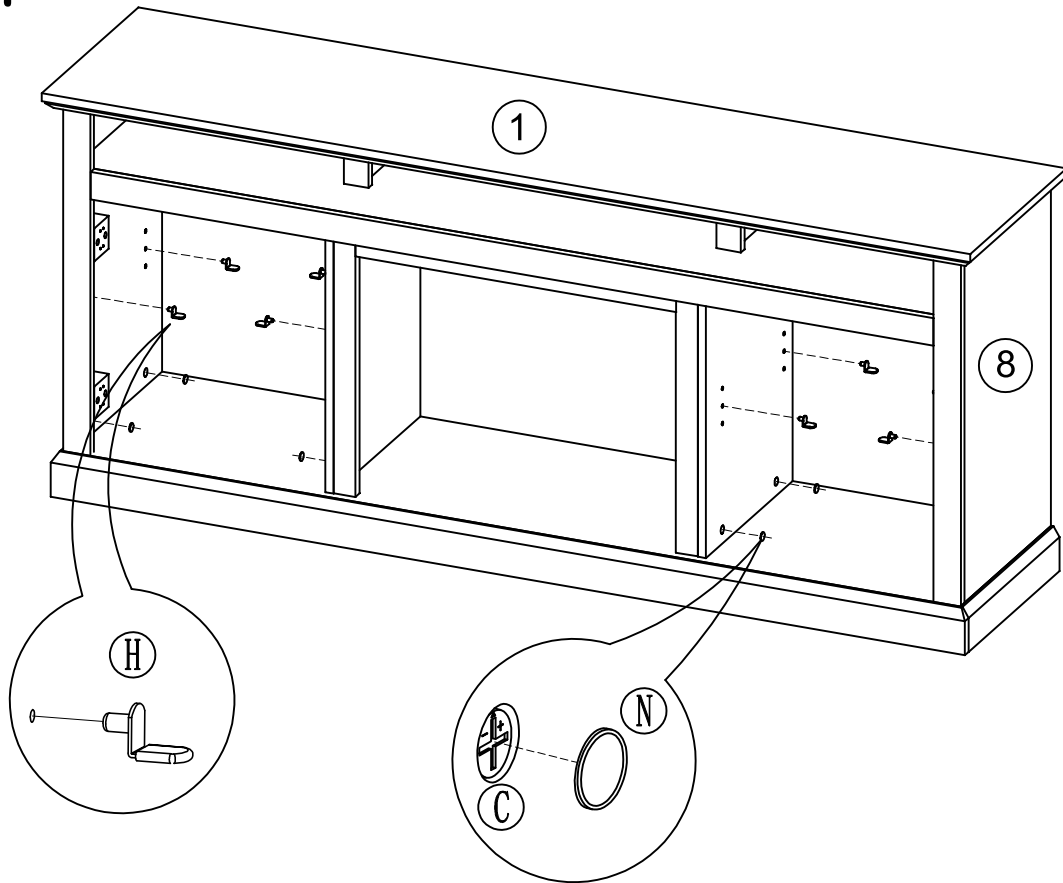
Step 16

B		6
C		8



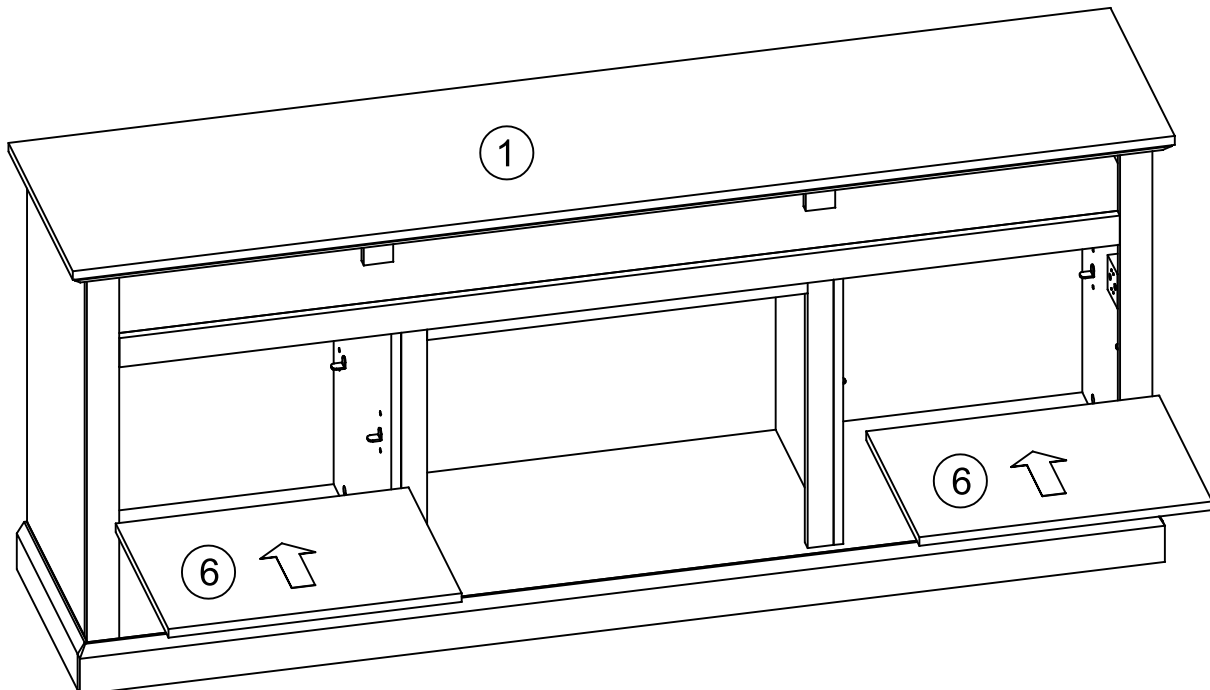
Step 17

H		8
N		50







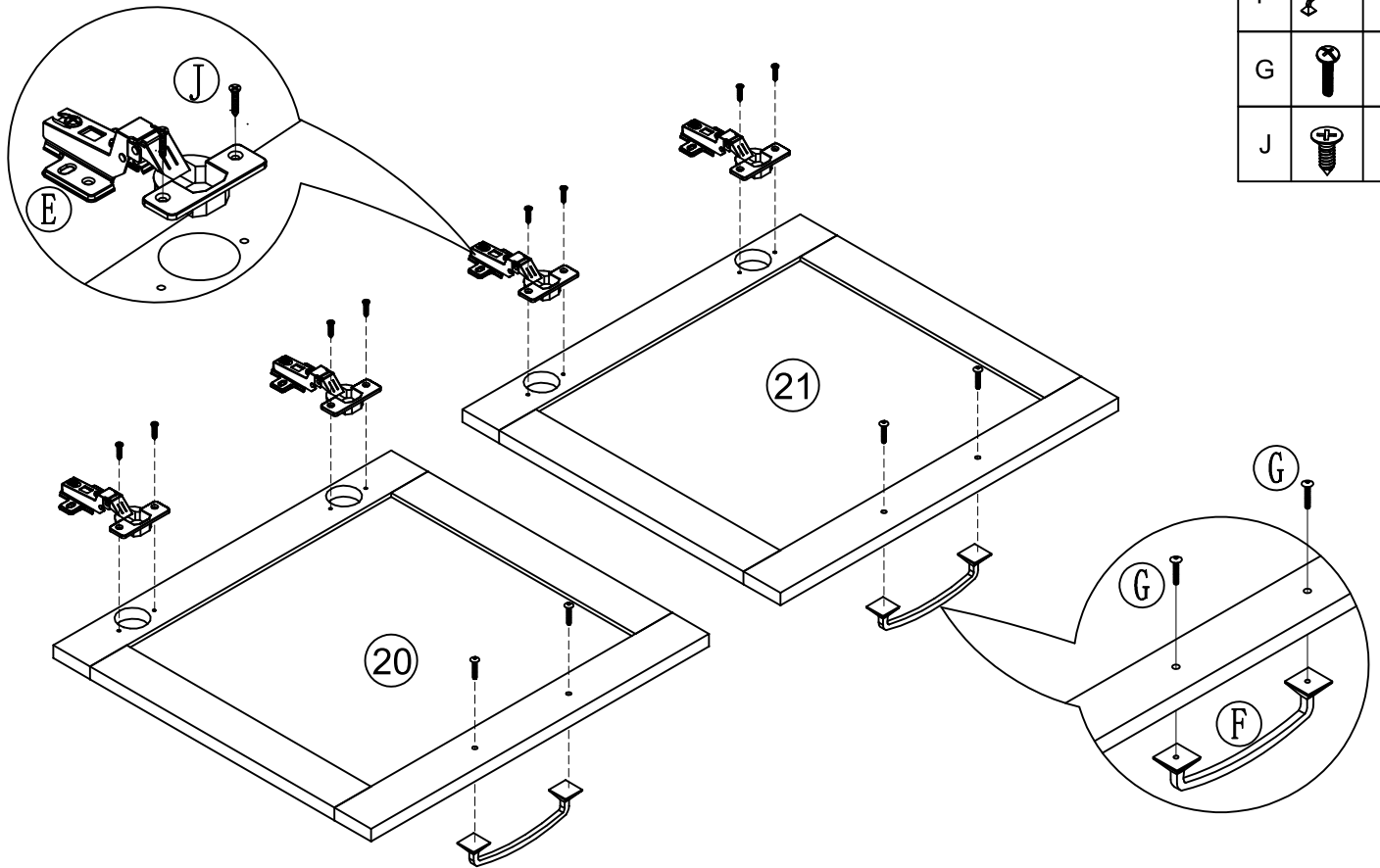
Each Visible combinator disk© has a combinator cover(N).

Step 18



Step 19

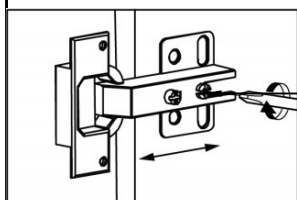
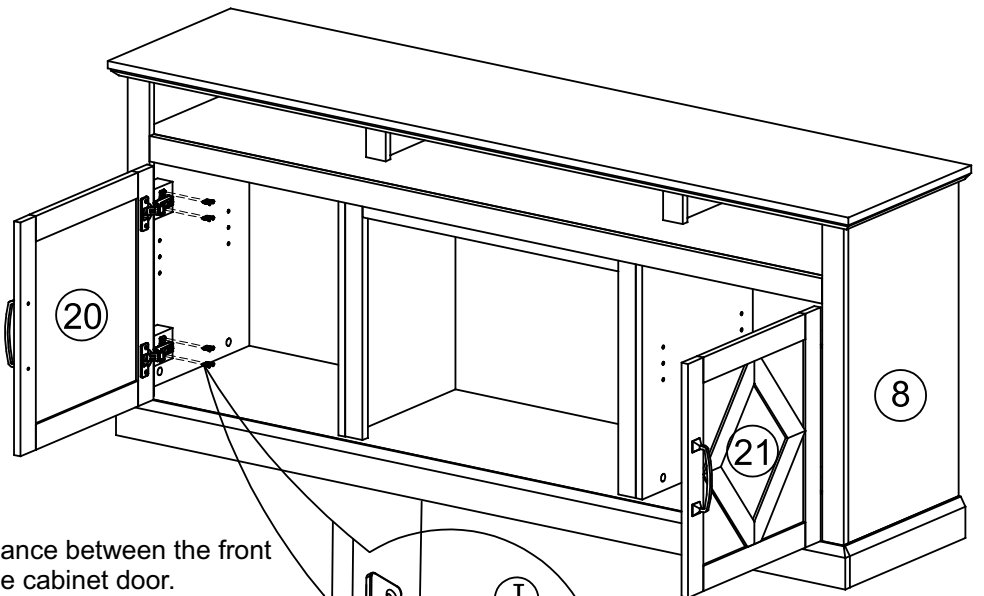
E		4
F		2
G		4
J		8



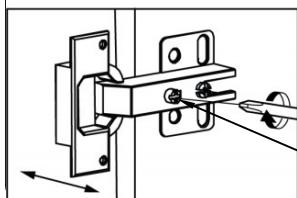
Step 20

In order to ensure that the upper and lower spacing of door seam is consistent, the lower hinge of the plate should be installed before the upper part is installed.

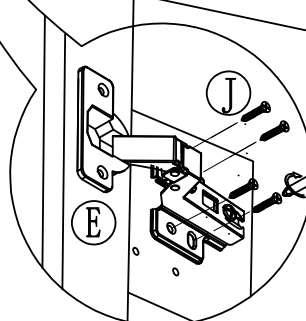
J		16
---	---	----



Adjust the distance between the front and back of the cabinet door.

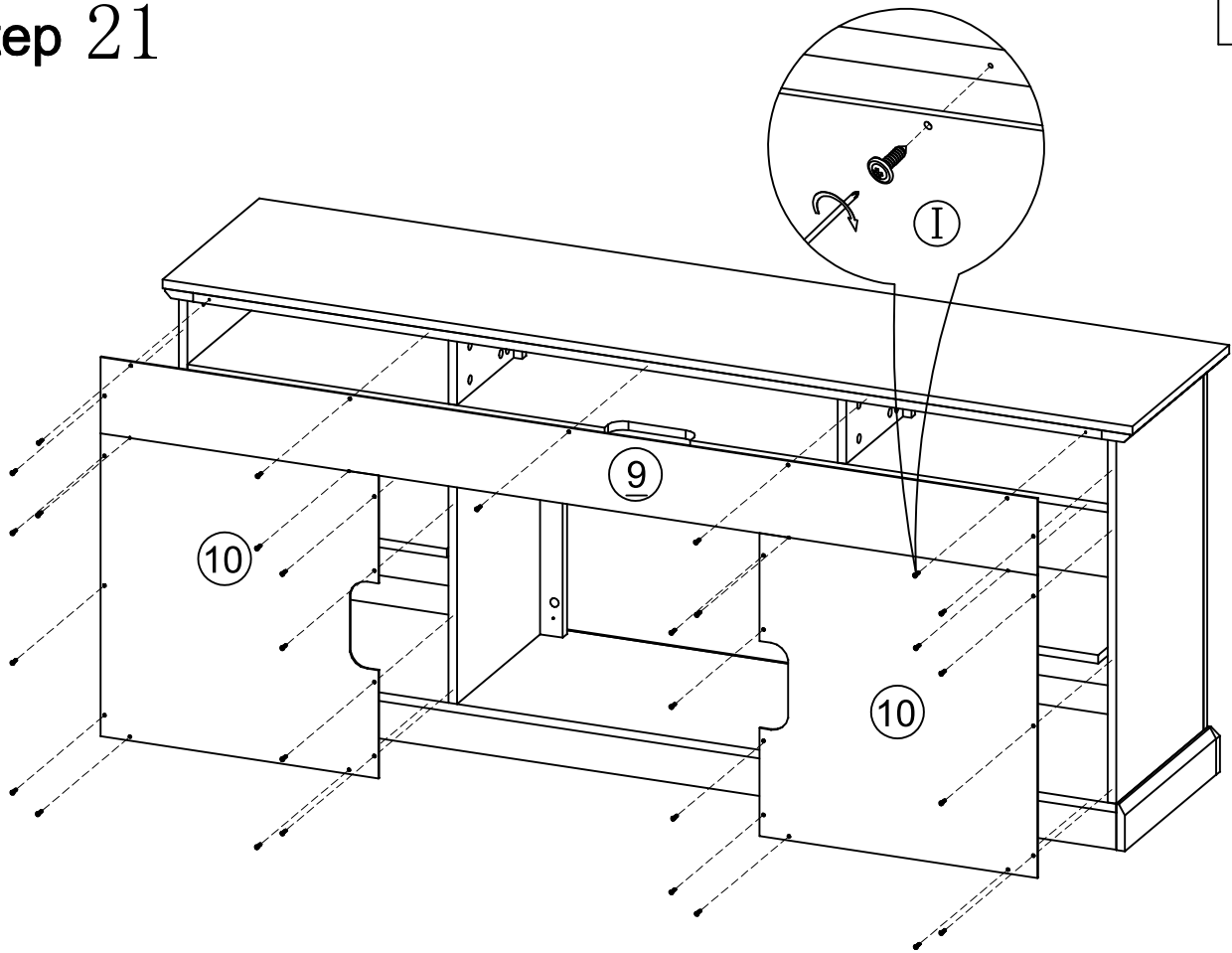


Adjust the left and right seam of the cabinet door.






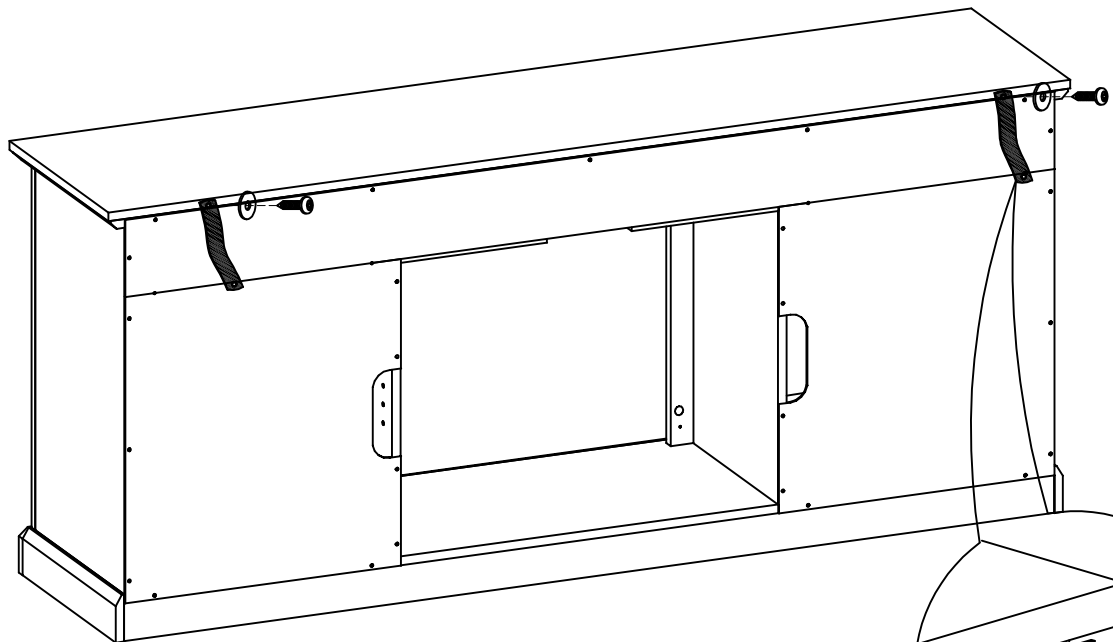
Step 21

I		29
---	---	----





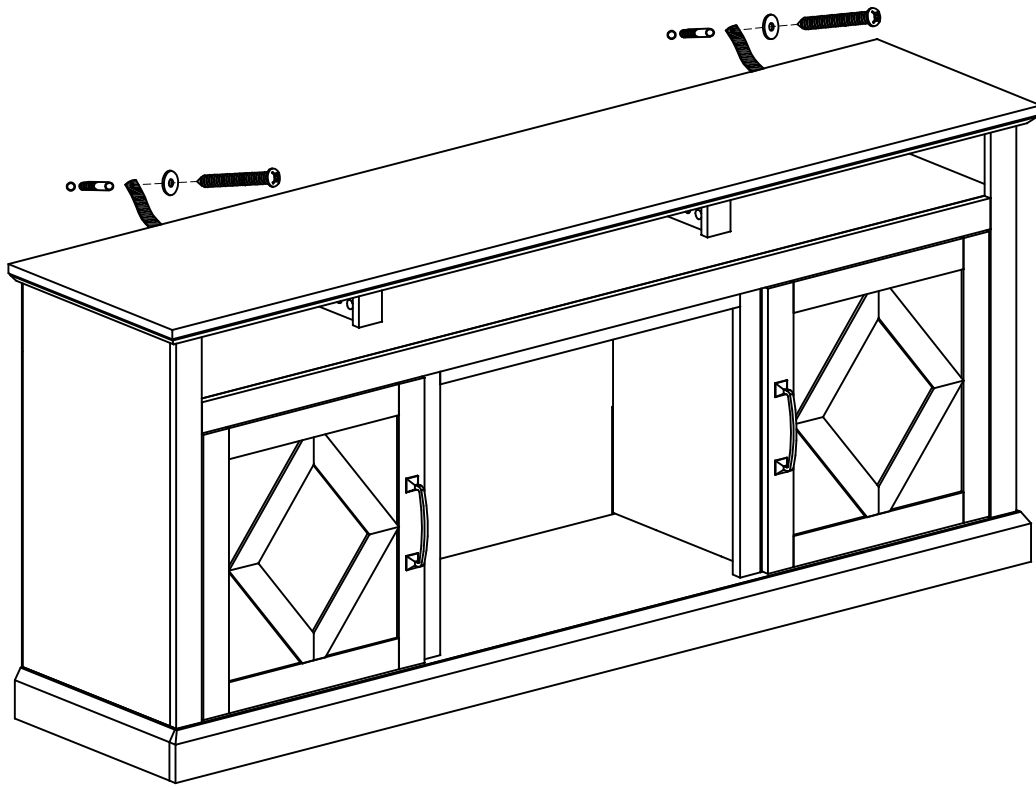
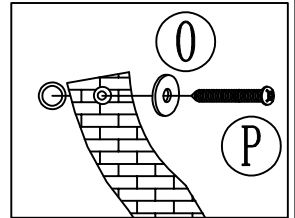
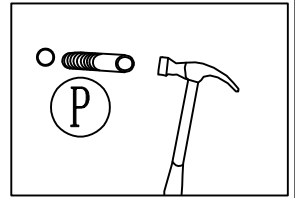
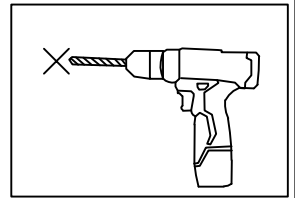
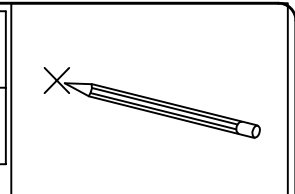
Step 22

O		2
I		2
O		2



Step 23

P		2
O		2





Company Name: Garvee Innovation Inc
Company Address: 4215 E Airport Dr Ontario, CA, USA
Support Email: support@garvee.com

Made in China