



INV01063 WIRELESS USB SPORTS EARBUDS

FCC ID: 2A6QJOH742



INSTRUCTION MANUAL

PLEASE READ ALL INSTRUCTIONS CAREFULLY
AND RETAIN FOR FUTURE USE

Getting Started

- Remove the product from the packaging.
- Please retain all packaging after you have checked and counted all the parts and the contents against the Package Contents list.

Package Contents

- Wireless USB Sports Style Stereo Earbuds
- Charging Case
- Type-C Charging Cable
- Instruction Manual

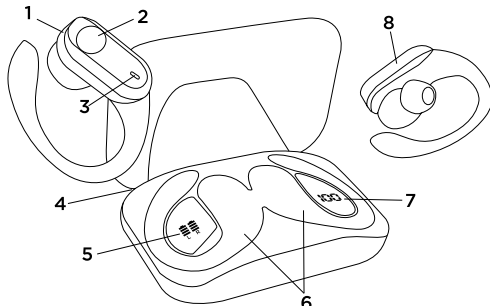
Features

- High-quality audio with clear stereo sound
- On-ear controls manage music, calls, and voice assistant commands
- Wireless Bluetooth connectivity with up to 30-ft streaming range
- Hook-style design provides stability
- Charging storage case with LED display
- Easy pairing with iOS and Android device

Safety Instructions

- Keep the unit away from heat sources, direct sunlight, humidity, water and any other liquids.
- Do not operate the unit if it has been exposed to water, moisture or any other liquids to prevent electric shock, explosion and/or injury to yourself and damage to the unit.
- Do not use the unit if it has been dropped or damaged in any way.
- Repairs of electrical equipment should only be performed by a qualified electrician. Improper repairs may place the user at serious risk.
- Do not use the unit with wet hands.
- Do not put objects into any of the openings.
- Keep the unit free from dust, lint etc.
- Do not use this unit for anything other than its intended use.
- Keep the unit out of reach for children.
- This product is not a toy.
- Do not use the handset at excessive volume levels, as damage to hearing may occur.

Description of Parts:



1	Left Earbud
2	Multi-function Button of Left Earbud
3	Left Earbud LED Indicator / Built-in Microphone
4	Charging Port of Charging Case (at the back)
5	Charging Indication for Earbuds
6	Earbud Charging Slots
7	Digital Display of Charging Case
8	Right Earbud

INSTRUCTIONS FOR USE Charging Instructions

The Charging Case and Bluetooth Earbuds come with a built-in rechargeable battery. Before using it for the first time, please charge the battery fully. Recharge the battery by following either one of the methods below when needed.

To charge the Charging Case (without Bluetooth Earbuds)

Plug the Type-C end of the included Type-C charging cable into the charging port of the Charging Case. Plug the other end into a suitable USB port such as the one on your computer or other devices made for charging USB. Digital display will flash to show the battery capacity of charging case.

It takes less than 2 hours to fully charge the case. When the battery is fully charged, 100 will show on the digital display.

To charge the Bluetooth Earbuds

1. After fully recharging the Charging Case, disconnect it from charging.
2. Place the Bluetooth Earbuds into respective charging slots correctly.
3. The LED light indicator on the Earbuds turns white and the digital display on the Charging Case will show its remaining battery capacity. It takes less than 2 hours for the Earbuds to fully charge.
When the battery is fully charged, the white LED light will turn off, and the digital display on the Charging Case will also turn off soon.

Turning on/off the Bluetooth Earbuds

Remove the Earbuds from the Charging Case, it will turn on automatically (Or, if the Earbud is not stored inside the Charging Case, long press the multi-function button of the Earbud to turn ON.)

Long press the multi-function button of the Earbud to turn OFF the device. Alternatively, place the Earbuds back into the Charging Case; it will turn off for recharging automatically.

Pairing both Bluetooth Earbuds with Bluetooth devices (phone or tablet that support call-answering)

- Remove both Earbuds from the Charging Case, it will turn on automatically and the LED flashes white (Or, if both Earbuds are not stored inside the Charging Case, long press the multi-function button of the Earbuds to turn ON. An indication tone will be heard and the LED flashes white.)
- After few seconds, you will hear another indication tone when both Earbuds are connected together. The LED light indicator on one Earbud will flash white, and the LED light indicator on the other Earbud will turn off.
- At this point, activate the Bluetooth function on your mobile device, and search for Bluetooth devices near you.
- Once you have activated Bluetooth on your mobile device, select the "Nizoni Earbuds" from the list of available Bluetooth devices.
- You might be prompted with "Pair with Nizoni Earbuds?" message on your source device, with "Cancel" and "OK" options. Please select "OK".
- Once paired successfully, an indication tone will sound and the LED on both units will turn off.

Making a call with the Bluetooth Earbuds in Stereo pairing mode Basic operation

Function	Operation	Button
Answer incoming call	Incoming call	Short press the multi-function button of one Earbud to answer an incoming call.
Reject incoming call	Incoming call	Press and hold the multi-function button of one Earbud for 2 seconds and release
End call	Incoming call	After your phone conversation, short press the multi-function button of one Earbud

Note: Both Earbuds support phone conversation.

Listening to Music Wirelessly in Stereo pairing mode

Please ensure that your device (iPhone, Tablet or Other Smart Phone) is paired with Bluetooth Earbuds to stream music wirelessly. Once paired, it will play music from your device.

Function	Operation	Button
Increase volume	Playing music	Short press the multi-function button of right Earbud thrice
Decrease volume	Playing music	Short press the multi-function button of left Earbud thrice
Pause	Playing music	Short press the multi-function button of one Earbud will pause the music
Play	Pausing	Short press the multi-function button of one Earbud will resume the music
Next track	Playing music	Short press the multi-function button of right Earbud twice
Previous track	Playing music	Short press the multi-function button of left Earbud twice

Note: An indication tone will alert you when the volume is adjusted to maximum level.

Pairing either one Bluetooth Earbud with Bluetooth devices (phone or tablet that support call-answering)

- Remove one of the Earbud from the Charging Case, it will turn on automatically and the LED flashes white (Or, if the Earbud is not stored inside the Charging Case, long press the multi-function button of the Earbud to turn ON. An indication tone will be heard and the LED flashes white.)
- Place the Bluetooth Earbud and Bluetooth device (phone or tablet that support call answering) not further than 3 feet apart from each other.
- Activate the Bluetooth function on your mobile device. Please refer to the manufacturer's instructions for instructions on enabling Bluetooth on your device.

- Once you have activated Bluetooth on your mobile device, select the "Nizoni Earbuds" from the list of available Bluetooth devices.
- You might be prompted with "Pair with Nizoni Earbuds?" message on your source device, with "Cancel" and "OK" options. Please select "OK".
- If required, enter the password '0000' to confirm & finalize pairing.
- Once paired successfully, another indication tone will sound, and the LED will turn off.
- You can now use Earbud.
- If pairing is unsuccessful, turn off the device first and then re-pair following the above steps.
- Once you have paired the Bluetooth Earbud with a mobile device, the Earbud will remember this mobile device and will pair automatically when its Bluetooth is activated within the range, during subsequently pairing. You do not need to re-pair any previously connected devices.
- The Bluetooth Earbud will attempt to automatically connect to the last device it was paired with when switched on. If you want to pair it with a new device, please follow the steps outlined above.

Making a call with the Bluetooth Earbud in Bluetooth mode Basic operation

Function	Operation	Button
Answer incoming call	Incoming call	Short press the multi-function button to answer an incoming call.
Reject incoming call	Incoming call	Press and hold the multi-function button for 2 seconds and release
End call	Incoming call	After your phone conversation, short press the multi-function button

Listening to Music Wirelessly

Please ensure that your device (iPhone, Tablet or Other Smart Phone) is paired with Bluetooth Earbuds to stream music wirelessly. Once paired, it will play music from your device.

Function	Operation	Button
Increase volume	Playing music	Short press the multi-function button thrice (for right Earbud only)
Decrease volume	Playing music	Short press the multi-function button thrice (for left Earbud only)
Pause	Playing music	Short press the multi-function button will pause the music
Play	Pausing	Short press the multi-function button will resume the music
Next track	Playing music	Short press the multi-function button twice (for right Earbud only)
Previous track	Playing music	Short press the multi-function button twice (for left Earbud only)

Note: An indication tone will alert you when the volume is adjusted to maximum level.

Voice Assistant Operation

Voice Assistant is a built-in interactive feature that allows you to Start Conversation with Your Siri or Google Assistant, press and hold the multi-function button of the Earbud for 2 seconds and release to activate this feature.

This feature enables you to ask questions and seek assistance on several things from your Voice Assistant, even when you are several feet away from your phone. Below are some of the many examples.

Note: Google Assistant is available on eligible Android 5.0 devices or later. Works on Lollipop, Marshmallow and Nougat Android Phones with Google Play Services, >1.5GB of memory and 720P or higher screen resolution. Please ensure the Google Assistant App is downloaded and is the default Voice Assistant on your mobile device.

While the Earbud is paired using Bluetooth, press and hold the multi-function button for 2 seconds and release to start conversation with your Siri or Google Assistant. An indication tone may sound before you speak into the Earbud.

- Example 1: Press and hold the multi-function button for 2 seconds and release, then speak into the Earbud, how's the weather today? Voice Assistant will reply with something like "Mainly cloudy with a few showers".
- Example 2: Press and hold the multi-function button for 2 seconds and release, then speak into the Earbud, what's the time now? Voice Assistant will reply with something like "It is 8pm now"
- More examples:
Set an alarm for 7am tomorrow.
Play some music.
What's in the news?

Care and Maintenance

Read the following recommendations before using the Bluetooth Earbuds. Follow these and you will be able to enjoy the product for many years.

- Don't expose the Bluetooth Earbuds to liquid, moisture or humidity to avoid the product's internal circuit being affected.
- Don't use abrasive cleaning solvents to clean the device.
- Don't expose the device to extremely high or low temperatures as this will shorten the life of electronic devices, destroy the battery or distort certain plastic parts.
- Don't dispose of the device in a fire as it will result in an explosion.
- Don't expose the device to contact with sharp objects as this will cause scratches and damage.
- Don't let the device fall on the floor as this may damage the internal circuit.
- Don't attempt to disassemble the device as it may get damaged if you are not professional.

Specifications

Bluetooth specification	Bluetooth 5.3
Operating Range	Up to 30 feet
Working time	3-3.5 hours
Charging input voltage	DC 5V
Charging time	Less than 2 hours
Built-In Battery	Charging Case: 300mAh Bluetooth Earbud: 40mAh (each)
Size	Charging Case: 3.60" (L) x 2.25" (D) x 1.35" (H) Bluetooth Earbud: 1.59" (L) x 1.12" (D) x 1.85" (H) (each)
Weight	Charging Case: 1.9 oz Bluetooth Earbud: 0.3 oz (each)

(Note: Battery life & charging time may vary based on usage & types of devices used.)

FCC Instructions

Caution: Changes or modifications not expressly approved by the party responsible for compliance could void the user's authority to operate the product.

NOTE: This product has been tested and found to comply with the limits for a Class B digital device, pursuant to Part 15 of the FCC Rules. These limits are designed to provide reasonable protection against harmful interference in a residential installation. This product generates, uses and can radiate radio frequency energy and, if not installed and used in accordance with the instructions, may cause harmful interference to radio communications. However, there is no guarantee that interference will not occur in a particular installation. If the product does cause harmful interference to radio or television reception, which can be determined by turning the equipment off and on, the user is encouraged to try to correct the interference by one or more of the following measures:
- Reorient or relocate the receiving antenna.
- Increase the separation between the product and receiver.
- Connect the product into an outlet on a circuit different from that to which the receiver is connected.
- Consult the dealer or an experienced radio/TV technician for help.

This device complies with part 15 of the FCC Rules. Operation is subject to the following two conditions: (1) This device may not cause harmful interference, and (2) this device must accept any interference received, including interference that may cause undesired operation.

DISTRIBUTED BY IMAGINE THIS, IRVINE, CA. ©2026 IMAGINE THIS. ALL RIGHTS RESERVED. NIZONI™ is an exclusive trademark of Imagine This™ and may not be used in any way, shape or form without the written consent of its owner. The features displayed on the package of this product are to the best knowledge of the manufacturer and can slightly vary in actuality.

