



Operator's Manual

68 Inch Conveyor Sandwich Ovens

Model JS014

Thank you for purchasing this Vollrath equipment. Before operating the equipment, read and familiarize yourself with the following operating and safety instructions. **SAVE THESE INSTRUCTIONS FOR FUTURE REFERENCE.** Save the original box and packaging. Use this packaging to ship the equipment if repairs are needed.

SAFETY PRECAUTIONS

To ensure safe operation, read the following statements and understand their meaning. This manual contains safety precautions which are explained below. Please read carefully.

WARNING

Warning is used to indicate the presence of a hazard that will or can cause severe personal injury or death.

CAUTION

Caution is used to indicate the presence of a hazard that will or can cause minor or major personal injury if the caution is ignored.

NOTICE: Notice is used to note information that is important but not hazard-related.

To reduce risk of injury or damage to the equipment

- Plug only into grounded electrical outlets matching the voltage on the rating plate.
- Use this equipment in a flat, level position.
- Unplug equipment and let it cool before cleaning or moving. Equipment remains hot after it is turned off.
- Do not touch during operation.
- Unplug when not in use.
- Keep equipment and power cord away from open flames, electric burners or excessive heat.
- Do not operate unattended.
- Closely supervise equipment operating in public areas and/or around children.
- Do not operate if equipment has been damaged or is malfunctioning in any way.

FUNCTION AND PURPOSE

This equipment is intended to toast sandwiches and melt cheese. It is not intended to cook raw food. It is intended for use in commercial foodservice operations only. It can be used continuously during peak times. It is not intended for household, industrial or laboratory use.



| Item No. | Model | Description |
|--------------|-------|--|
| S04-20814L-R | JS014 | 14" Wide, Left to Right Conveyor, 208V |
| S04-20814R-L | | 14" Wide, Right to Left Conveyor, 208V |
| S04-22014L-R | | 14" Wide, Left to Right Conveyor, 220V |
| S04-22014R-L | | 14" Wide, Right to Left Conveyor, 220V |
| S04-24014L-R | | 14" Wide, Left to Right Conveyor, 240V |
| S04-24014R-L | | 14" Wide, Right to Left Conveyor, 240V |

CLEARANCE AND ENVIRONMENT REQUIREMENTS

Do not place this oven on surfaces or near walls, partitions or kitchen furniture unless they are made of non-combustible material or clad with non-combustible heat-insulating material. Ovens must not be used near or below curtains and other combustible materials. Do not place the oven adjacent to a heat producing appliance.

Ventless Operation

This oven is UL tested and verified for ventless operation under the following conditions:

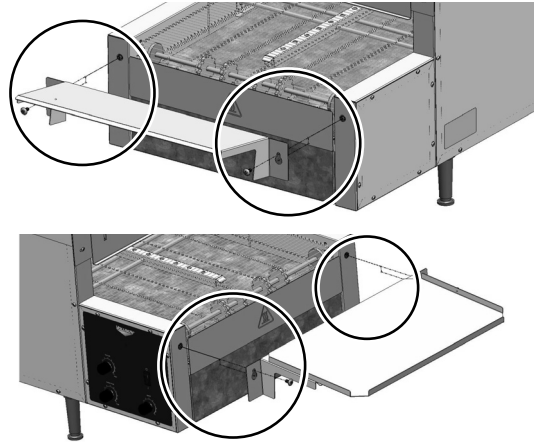
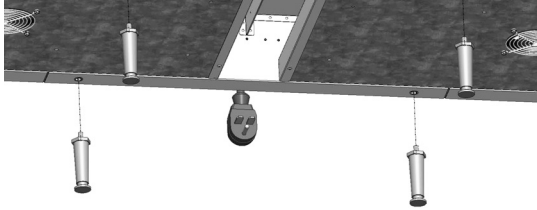
- For use with pre-cooked foods such as pizza toppings, sandwiches and melting cheese
- Not for use with raw and/or fatty proteins such as skin-on or bone-in chicken, hamburger meat or sausages

Note: Local codes may apply. Approval for ventless operation is subject to the local Authority Having Jurisdiction (AHJ). Please contact your AHJ for more information.

SET UP

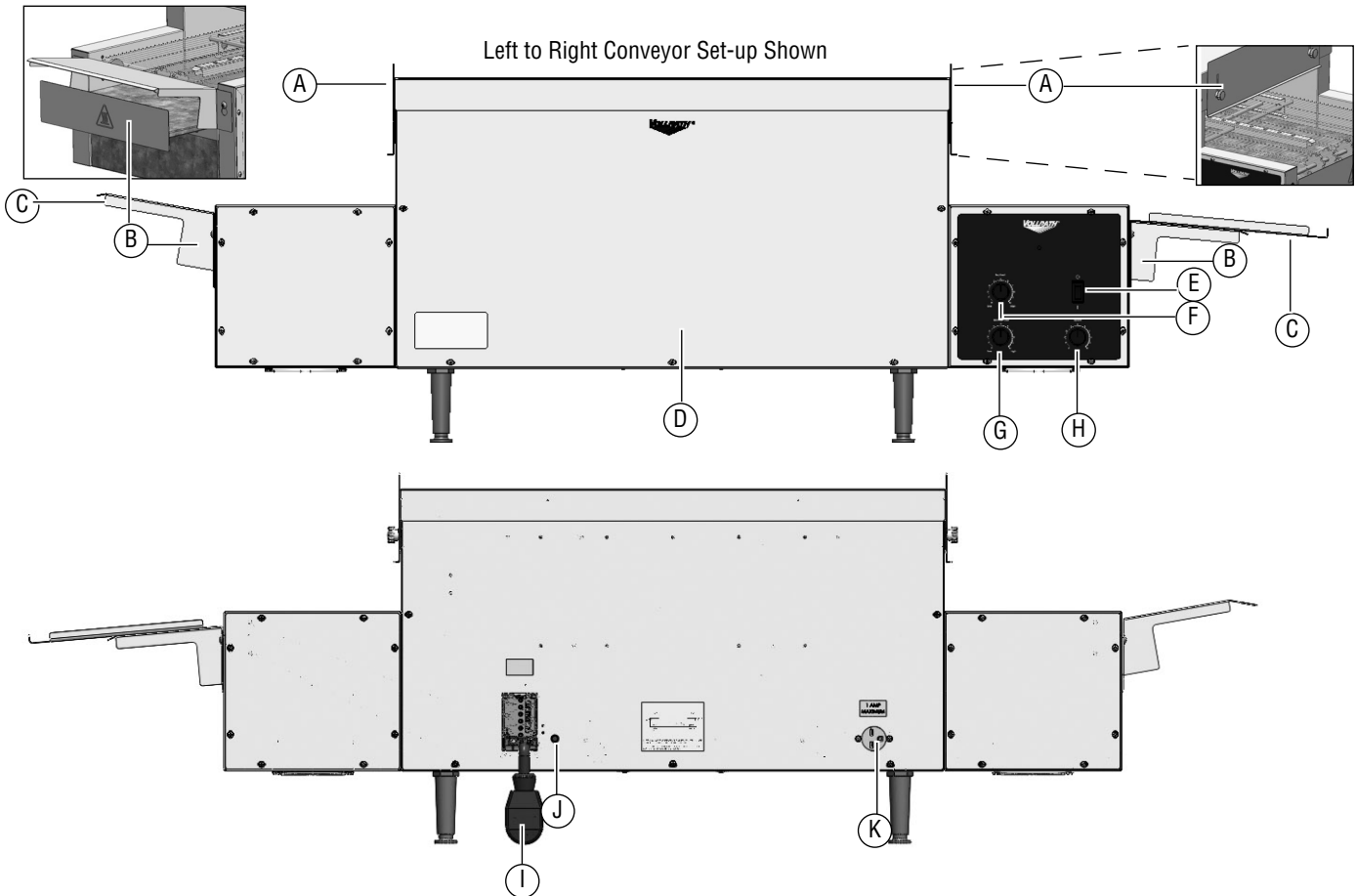
1. Place the oven on a hard, flat, stable surface.
2. Install the legs. Two people required. Have one person lift one end of the oven while the other person installs the legs. Repeat for the other side of the oven.

NOTICE: Legs must be installed. Failure to install the legs will restrict airflow and cause the oven to overheat.



3. Install the load and unload trays to match the conveyor direction. The load tray slants toward the conveyor. The unload tray slants away from the conveyor.

FEATURES




- | | |
|---|---|
| A Heat Shields | F Top Heat Control Knob |
| B Crumb Trays | G Bottom Heat Control Knob |
| C Load/Unload Trays | H Conveyor Speed Knob |
| Load. Slants toward conveyor | I Power Cord |
| Unload. Slants away from conveyor | J Circuit Breaker |
| D Reset Button (Reference only. See page 3.) | K Oven Stacker Receptacle. Powers the oven stacker accessory |
| E ON/OFF Switch | |
| O Off Position | |
| I On Position | |

BEFORE FIRST USE

1. Clean the conveyor oven. See “Daily Cleaning” on page 3.

OPERATION

| | |
|---|--|
|  | CAUTION Burn Hazard Do not touch the equipment while it is heating or operating. Hot surfaces can burn skin. |
|---|--|

NOTICE: The crumb trays must be installed in the oven during operation. Failure to install the crumb trays will cause the oven to overheat.

Adjust the Heat Shields

Rotate the knobs to adjust the entry and exit heat shields to allow food to pass into the oven, and to regulate the amount of heat retained at each end of the oven to achieve desired results.

Preheat

1. Plug the oven into a grounded electrical outlet that matches the rating on the name plate found on the oven.

NOTICE: Using a voltage other than the nameplate rated voltage will cause damage to the unit. Incorrect voltage, modification to the power cord or electrical components can damage unit and will void the warranty.

2. Press the ON/OFF switch to the ON (I) position.
3. Set the controls. Suggested settings for toasting open faced sandwiches:

| Control | Suggestions |
|-------------|--|
| Top Heat | Approximately 7 to allow meat to warm and cheese to melt. |
| Bottom Heat | Approximately 5 to slightly toast the bread. |
| Conveyor | Approximately 7 to allow meat and cheese to warm and bread to toast. |

4. Wait 20 minutes for the oven to preheat.

Test

1. Test the settings by placing a sandwich into the oven. Sandwiches can be placed directly onto the conveyor or on a pizza screen.

NOTICE: Pans, especially shiny pans, and aluminum foil will reflect heat away from the sandwich and reduce browning.

2. Monitor the toasting process and adjust the temperatures and conveyor speed to prevent the sandwich from burning.
3. Evaluate the results.


Toast Sandwiches

1. Adjust the top and bottom heat control and conveyor settings as needed to achieve desired results.
2. Allow time for the oven to adjust to new heat settings before placing sandwiches onto the conveyor.
3. During continuous use, allow space between the sandwiches on the conveyor and time in between toasting for the oven to recover.

If an Item Becomes Stuck

1. Rotate the power knob to the OFF position (O) and unplug the equipment.
2. Let the equipment cool completely. Use tongs to remove the item. Take care to not bump the heating elements above and below the conveyor.

CLEANING

| | |
|---|---|
|  | WARNING Electrical Shock Hazard Do not spray water or cleaning products. Liquid could contact the electrical components and cause a short circuit or an electrical shock. |
|---|---|

| | |
|---|--|
|  | CAUTION Burn Hazard Allow equipment to cool before moving or cleaning. |
|---|--|

NOTICE: Do not use abrasive materials, scratching cleansers or scouring pads to clean the exterior of the equipment. These can damage the finish.

NOTICE: Heating elements do not need to be cleaned. Crumbs and food debris will burn off. Over time the heating elements may develop a chalky appearance, but this will not impact performance.

Daily Cleaning

1. Before turning off the equipment and with the conveyor rotating, watch the conveyor belt for food debris.
2. When the food debris reaches the front of the conveyor, rotate the power knob to the OFF position.
3. Wait for the fan to stop running. Unplug the equipment.
4. Let the equipment cool completely.
5. When the equipment is cool, use a brush or scrub pad to remove the food debris.
6. To clean the exterior, use a soft cloth dipped in hot soapy water to wipe the exterior and fan air intake under the equipment. If needed, wipe the fan intake area with degreaser to prevent long term build up.
7. Empty and clean the crumb tray(s).

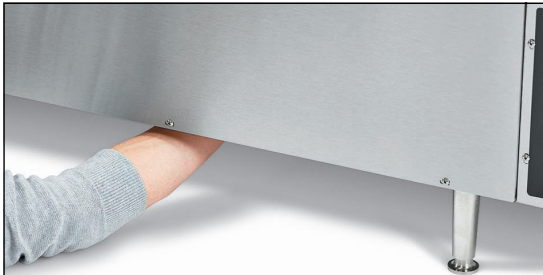
Special Instructions for Ventless Operation

Clean the adjacent surfaces and kitchen equipment at least every other month or more frequently as needed.

PREVENTATIVE MAINTENANCE

Contact an authorized service agent for a professional cleaning of the components.

TROUBLESHOOTING

| Problem | Might be Caused By | Course of Action |
|--|---|--|
| Oven does not heat and the conveyor belt does not move. | Oven is not plugged in. | Plug in the oven. |
| | Oven is not turned on. | Press the ON/OFF switch to the ON (I) position. |
| | The wall breaker may be tripped. | <ol style="list-style-type: none"> 1. Inspect for tripped breaker. 2. Reset the breaker. 3. If the breaker was not tripped, inspect the oven for broken heater elements. For broken heater elements, contact Vollrath Technical Services. |
| | The reset may be tripped. | Look under the oven to see if an object is preventing the fan blades of either fan from turning. <ol style="list-style-type: none"> 1. Press the ON/OFF switch to the OFF (O) position. 2. Unplug the oven. 3. Wait 30 minutes for the oven to cool. 4. Remove the object. 5. Plug in the oven. 6. Press the ON/OFF switch to the ON (I) position. 7. Press the reset button.  <ol style="list-style-type: none"> 8. If the problem persists call Vollrath Technical Services. |
| | | Inspect the fan blades on both fans to see if they are dirty. <ol style="list-style-type: none"> 1. Press the ON/OFF switch to the OFF (O) position. 2. Unplug the oven. 3. Wait 30 minutes for the oven to cool. 4. Clean the fan blades. 5. Plug in the oven. 6. Press the ON/OFF switch to the ON (I) position. 7. Press the reset button. 8. If the problem persists call Vollrath Technical Services. |
| Oven heats and the conveyor belt does not move. | There may be a problem with the motor/speed control or drive chain. | Contact Vollrath Technical Services. |
| Top or bottom heater tubes do not heat. | One or more heater tubes may have burned out. | Contact Vollrath Technical Services. |
| | There may be a problem with the top or bottom heat switch. | |
| Top and/or bottom heat remains on when the power switch is in the OFF position. | There may be a problem with the relay for the heat control | Contact Vollrath Technical Services. |
| Oven repeatedly overheats. | The crumb trays may not be installed. | Verify the crumb trays are installed. |
| | The fan may be dirty. | Verify the fan blades are clean. See instructions above for inspecting and cleaning the fan blades. |
| | There may be a problem with the fan. | Run the oven for 10 minutes. If the fan does not run, contact Vollrath Technical Services. |
| Top oven in a stacked installation suddenly stops working and the fan in the stacker is not running. | The high limit switch may have been triggered in the top oven. | Press the circuit breaker button on the back of the oven (See "Features" on page 3.) to reset the circuit. If the problem persists, contact Vollrath Technical Services. |
| | There may be an electrical connection problem in the stacker. | Contact Vollrath Technical Services. |
| The fan is not running. | There may be a problem with the fan or fan switch. | Run the oven for 10 minutes. If the fan does not run, contact Vollrath Technical Services. |
| The oven is turned off and the fan is running. | Normal operation. The fan turns on as needed to cool the oven. | – |

This page intentionally left blank.

SERVICE AND REPAIR

When under warranty, repair is available for this product. To begin the process:

1. Contact Vollrath Technical Services at 1-800-309-2250. Please be ready with the item number, model number and serial number. You can find this information on the nameplate located on the side or back of the equipment. Also please provide a proof of purchase indicating the date the equipment was purchased.
2. A technical services representative will help you troubleshoot the problem over the phone.
3. If the representative determines the issue requires professional service, he or she will help you locate an authorized service center.
4. Contact the authorized service center to make arrangements for the repair. Vollrath will cover the cost to repair and/or replace defective parts within the equipment warranty period.

WARRANTY STATEMENT FOR THE VOLLRATH CO. L.L.C.

The Vollrath Company LLC warrants the products it manufactures or distributes against defects in materials and workmanship as specifically described in our full warranty statement. In all cases, the warranty runs from the date of the end user's original purchase date found on the receipt. Any damages from improper use, abuse, modification or damage resulting from improper packaging during return shipment for warranty repair will not be covered under warranty.

The warranty does not apply to products purchased for personal, family or household use, and The Vollrath Company LLC does not offer a written warranty to purchasers for such uses.

Warrantied Parts: The warranty period is 2 years parts, 1 year labor.

Heater Tubes: The warranty period is 1 year, including labor. Heater tube glass damage is not covered by this warranty.

For complete warranty information, product registration and new product announcements, visit www.vollrath.com.



www.vollrath.com

The Vollrath Company, L.L.C.

1236 North 18th Street
Sheboygan, WI 53081-3201 U.S.A.
Main Tel: 800.624.2051 or 920.457.4851
Main Fax: 800.752.5620 or 920.459.6573
Customer Service: 800.628.0830
Canada Customer Service: 800.695.8560

Technical Services
techservicereps@vollrathco.com
Toasters: 1-800-309-2250
All Other Products: 800.628.0832

Fours à sandwichs convoyeurs 68 pouces (1,7 m)

Modèle JS014

Merci d'avoir acheté cet appareil Vollrath. Avant d'utiliser cet appareil, lisez et familiarisez-vous avec le mode d'emploi et les consignes d'utilisation qui suivent. CONSERVEZ CES INSTRUCTIONS POUR RÉFÉRENCE ULTÉRIEURE. Conservez l'emballage et le carton d'origine. L'emballage devra être réutilisé pour expédier l'appareil si une réparation est nécessaire.

CONSIGNES DE SÉCURITÉ

Pour garantir un fonctionnement sûr, lisez les avertissements suivants et comprenez leur signification. Ce manuel contient des consignes de sécurité, présentées ci-dessous. Lisez-les attentivement.

AVERTISSEMENT

Un avertissement permet d'indiquer la présence d'un danger qui causera ou peut causer des blessures personnelles graves ou la mort.

ATTENTION

Une mise en garde indique la présence d'un danger qui causera ou pourra causer des blessures mineures ou majeures si elle est ignorée.

AVIS : Un avis met en évidence des informations qui sont importantes mais sans rapport avec un danger.

Pour réduire le risque de blessures et d'endommagement de l'appareil

- Branchez l'appareil uniquement sur une prise de terre correspondant à la tension indiquée sur la plaque des valeurs nominales.
- Utilisez cet appareil bien calé à l'horizontale.
- Débranchez l'appareil et laissez-le refroidir avant de le nettoyer ou de le déplacer. L'appareil reste chaud après sa mise hors tension.
- Ne touchez pas l'appareil en cours de fonctionnement.
- Débranchez l'appareil lorsque vous ne comptez pas l'utiliser.
- Tenez l'appareil et son cordon d'alimentation à l'écart des flammes nues, des brûleurs électriques ou d'une chaleur excessive.
- N'utilisez pas l'appareil sans surveillance.
- Surveillez de près les appareils utilisés dans des lieux publics et/ou à proximité d'enfants.
- N'utilisez pas l'appareil s'il a été endommagé ou s'il fonctionne mal.

FONCTION ET OBJET

Cet appareil a pour fonction de faire griller les sandwichs et faire fondre le fromage. Il n'est pas destiné à la cuisson d'aliments crus. Il est réservé à une utilisation dans des opérations de restauration commerciales. Il peut être utilisé sans interruption aux heures de pointe. Il n'est pas destiné à une utilisation domestique, industrielle ou en laboratoire.



| Num. d'art. | Modèle | Description |
|--------------|--------|--|
| S04-20814L-R | JS014 | 14" (35,5 cm) de largeur, convoyeur gauche-droite, 208 V |
| S04-20814R-L | | 14" (35,5 cm) de largeur, convoyeur droite-gauche, 208 V |
| S04-22014L-R | | 14" (35,5 cm) de largeur, convoyeur gauche-droite, 220 V |
| S04-22014R-L | | 14" (35,5 cm) de largeur, convoyeur droite-gauche, 220 V |
| S04-24014L-R | | 14" (35,5 cm) de largeur, convoyeur gauche-droite, 240 V |
| S04-24014R-L | | 14" (35,5 cm) de largeur, convoyeur droite-gauche, 240 V |

EXIGENCES EN MATIÈRE DE DÉGAGEMENT ET DE CONDITIONS AMBIANTES

Ne placez pas ce four sur des surfaces ou près de murs, cloisons ou mobilier de cuisine sauf s'ils sont faits de matériaux non combustibles ou recouverts de matériau réfractaire non combustible. Les fours ne doivent pas être utilisés près ou en dessous de rideaux et d'autres matériaux combustibles. Ne placez pas le four à côté d'un appareil produisant de la chaleur.

Fonctionnement sans ventilation

Ce four a été testé par UL et vérifié pour un fonctionnement sans ventilation dans les conditions suivantes :

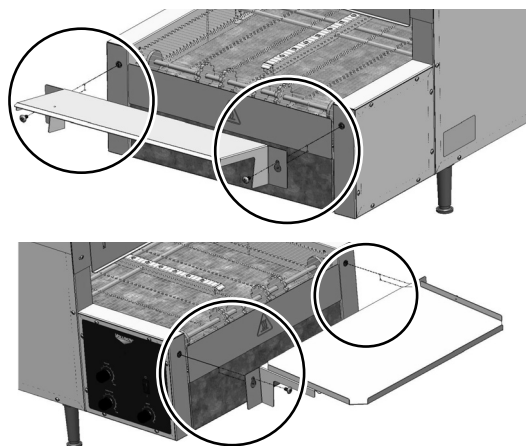
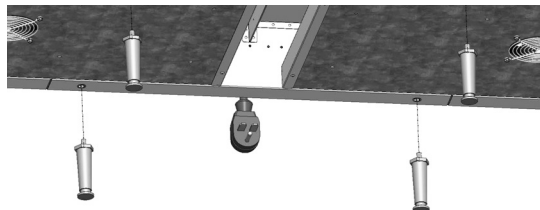
- Pour une utilisation avec des aliments précuits tels que les garnitures de pizza, les sandwichs et le fromage à faire fondre
- Utilisation interdite avec des protéines crues et/ou grasses telles que le poulet sur l'os ou avec la peau, la viande à hamburger ou les saucisses

Remarque : Les codes locaux peuvent s'appliquer. L'autorisation pour un fonctionnement sans ventilation est sujette à l'autorité compétente (AC). Contactez votre autorité compétente pour en savoir plus.

INSTALLATION

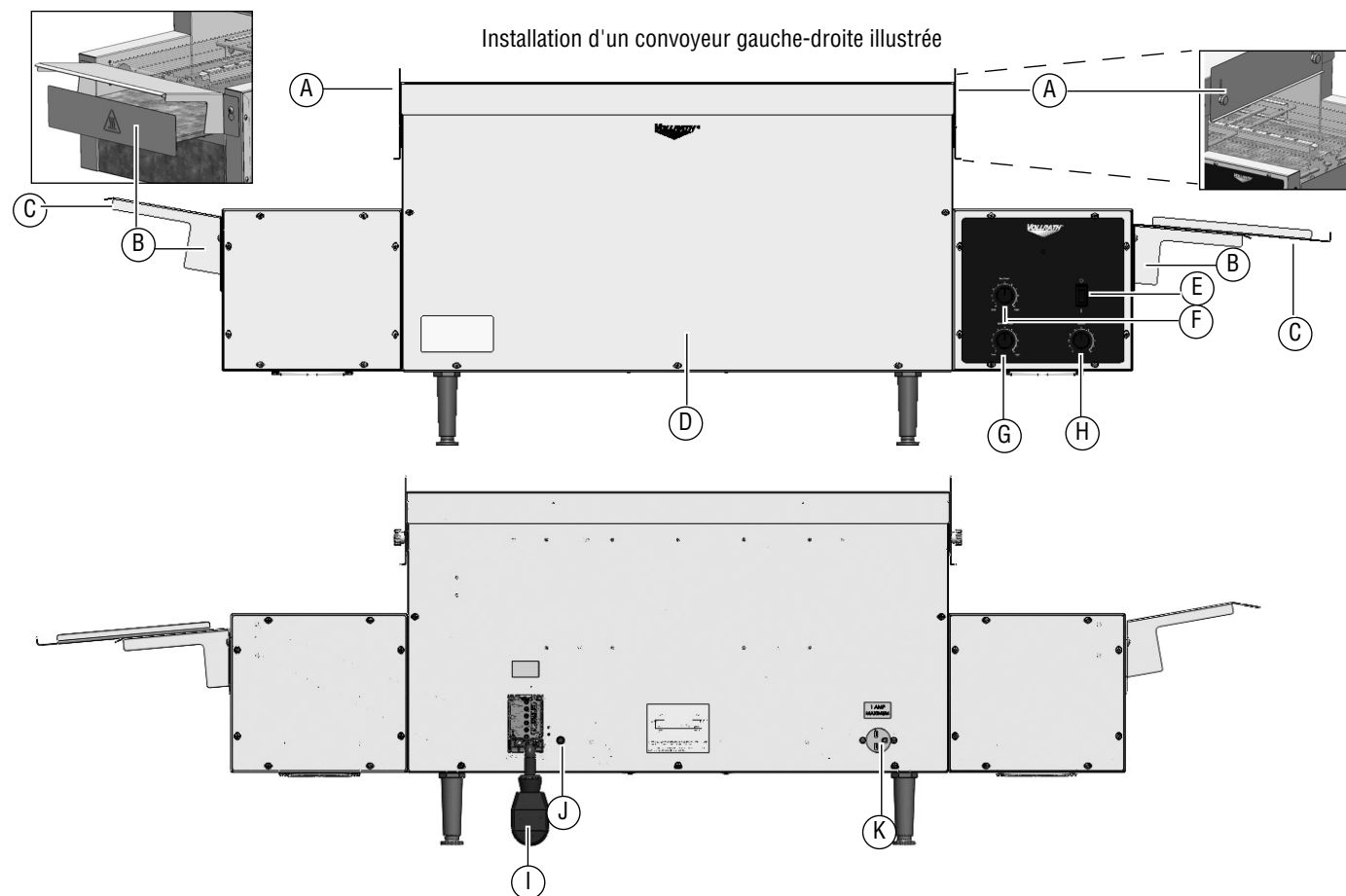
1. Placez le four sur une surface dure, stable et plane.
2. Installez les pieds. Il faut s'y prendre à deux. Demandez à quelqu'un de soulever une extrémité du four pendant que vous installez les pieds. Répétez de l'autre côté du four.

AVIS : Les pieds doivent être installés. Sans les pieds, la circulation de l'air sera entravée, ce qui causera la surchauffe du four.



3. Installez les plateaux de chargement et déchargement dans le sens de la marche du convoyeur. Le plateau de chargement est penché vers le convoyeur. Le plateau de déchargement est penché à l'opposé du convoyeur.

CARACTÉRISTIQUES



A Écrans thermiques

B Plateaux ramasse-miettes

C Plateaux de chargement/déchargement

Chargement. Penché vers le convoyeur

Déchargement. Penché à l'opposé du convoyeur

D Bouton de réarmement (Pour référence seulement. Voir page 3.)

E Interrupteur de marche/arrêt

O Position Arrêt

I Position Marche

F Thermostat du haut

G Thermostat du bas

H Bouton de réglage de vitesse du convoyeur

I Cordon d'alimentation

J Coupe-circuit pour empileur de fours facultatif

K Prise pour empileur de fours.

Alimente l'empileur de fours, accessoire

AVANT LA PREMIÈRE UTILISATION

Nettoyez le four. Voir « Nettoyage quotidien » à la page 3.

MODE D'EMPLOI

| | |
|---|--|
|  | ATTENTION Risque de brûlure Ne touchez pas l'appareil en cours de chauffage ou de fonctionnement. Les surfaces chaudes peuvent brûler la peau. |
|---|--|

AVIS : Le plateau ramasse-miettes doit être installé dans le four en cours de fonctionnement. Respectez cette consigne sous peine de surchauffe du four.

Réglage de l'écran thermique

Tournez les boutons pour ajuster les écrans thermiques à l'entrée et la sortie, laisser passer les aliments dans le four et régler la quantité de chaleur conservée à chaque extrémité du four pour obtenir les résultats souhaités.

Préchauffage

1. Branchez le four sur une prise de terre qui correspond à la plaque signalétique sur le four.
AVIS : L'utilisation d'une tension différente de la tension nominale indiquée sur la plaque signalétique endommagera l'appareil. Une tension incorrecte, la modification du cordon d'alimentation ou les composants électriques risquent d'endommager l'appareil et d'annuler la garantie.
2. Appuyez sur l'interrupteur de marche/arrêt en position Marche (I).
3. Réglez les commandes. Réglages suggérés pour faire griller les sandwiches ouverts :

| Commande | Suggestions |
|--------------------|---|
| Thermostat du haut | A 7 environ pour permettre à la viande de chauffer et au fromage de fondre. |
| Thermostat du bas | A 5 environ pour faire griller légèrement le pain. |
| Convoyeur | A 7 environ pour permettre à la viande et au fromage de chauffer et au pain de griller. |

4. Attendez 20 minutes que le four préchauffe.

Test

1. Testez les réglages en plaçant un sandwich dans le four. Les sandwiches peuvent être placés directement sur le convoyeur ou sur une tôle à pizza perforée.
AVIS : Les plats, en particulier les plats brillants, et le papier aluminium réfléchiront la chaleur, l'éloignant du sandwich et réduisant la coloration.
2. Surveillez le processus de coloration et ajustez les températures et la vitesse du convoyeur pour empêcher le sandwich de brûler.
3. Évaluez les résultats.

Pour faire griller des sandwiches

1. Réglez les thermostats du haut et du bas et le convoyeur si nécessaire pour obtenir les résultats souhaités.
2. Attendez que le four s'adapte aux nouveaux réglages de température avant de mettre des sandwiches sur le convoyeur.
3. Durant une utilisation continue, laissez de l'espace entre les sandwiches sur le convoyeur.

Si un produit se coince

1. Tournez le bouton d'alimentation sur Arrêt (O) et débranchez l'appareil.
2. Laissez refroidir complètement l'appareil. Utilisez une pince pour enlever le produit coincé. Veillez à ne pas cogner les éléments chauffants au-dessus et au-dessous du convoyeur.

NETTOYAGE

| | |
|---|--|
|  | AVERTISSEMENT Risque d'électrocution Ne vaporisez pas d'eau ou de produits nettoyants. Du liquide risque d'entrer en contact avec les composants électriques et de causer un court-circuit ou une décharge électrique. |
|---|--|

| | |
|---|--|
|  | ATTENTION Risque de brûlure Laissez refroidir l'appareil avant de le manipuler ou de le laver. |
|---|--|

AVIS : N'utilisez pas de produits ou nettoyants abrasifs, ni de tampons récurants pour nettoyer l'extérieur de l'appareil sous peine d'endommager le fini.

AVIS : Les éléments chauffants n'ont pas besoin d'être nettoyés. Les miettes et particules alimentaires finiront par carboniser. Il est possible que les éléments chauffants finissent par avoir un aspect crayeux, mais ceci sera sans incidence sur la performance de l'appareil.

Nettoyage quotidien

1. Avant d'éteindre l'appareil et avec le convoyeur en marche, observer les particules alimentaires sur le tapis roulant.
2. Lorsqu'elles atteignent l'avant du convoyeur, tournez le bouton d'alimentation à la position Arrêt.
3. Attendez que le ventilateur arrête de tourner. Débranchez l'appareil.
4. Laissez refroidir complètement l'appareil.
5. Une fois l'appareil froid, utilisez une brosse ou un tampon récurant pour enlever les particules alimentaires.
6. Pour nettoyer l'extérieur, utilisez un chiffon doux trempé dans de l'eau savonneuse chaude à passer sur les surfaces extérieures et l'admission d'air du ventilateur sous l'appareil. Si nécessaire, essuyez la zone d'admission d'air du ventilateur avec un dégraissant pour empêcher toute accumulation à long terme.
7. Videz et nettoyez le(s) plateau(x) ramasse-miettes.

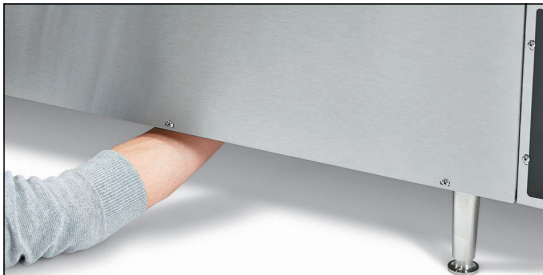
Instructions spéciales pour un fonctionnement sans ventilation

Nettoyez les surfaces adjacentes et l'équipement de la cuisine tous les deux mois minimum ou plus souvent si nécessaire.

MAINTENANCE PRÉVENTIVE

Contactez un agent de maintenance agréé pour un nettoyage professionnel des composants.

DÉPANNAGE

| Problème | Cause possible | Mesure corrective |
|--|--|--|
| Le four ne chauffe pas et le tapis roulant ne bouge pas. | Le four n'est pas branché. | Branchez le four. |
| | Le four n'est pas allumé. | Appuyez sur l'interrupteur de marche/arrêt en position Marche (I). |
| | Le disjoncteur s'est peut-être déclenché. | <ol style="list-style-type: none"> 1. Inspectez le disjoncteur pour voir s'il ne s'est pas déclenché. 2. Réarmez le disjoncteur. 3. Si le disjoncteur ne s'est pas déclenché, inspectez le four pour voir si les éléments chauffants ne sont pas cassés. <p>Si les éléments chauffants sont cassés, contactez le support technique Vollrath.</p> |
| | Le bouton de réarmement s'est peut-être déclenché. | <p>Regardez sous le four pour voir si un objet n'empêche pas les pales de l'un ou l'autre ventilateur de tourner.</p> <ol style="list-style-type: none"> 1. Appuyez sur l'interrupteur de marche/arrêt en position Arrêt (O). 2. Débranchez le four. 3. Attendez 30 minutes que le four refroidisse. 4. Enlevez l'objet. 5. Branchez le four. 6. Appuyez sur l'interrupteur de marche/arrêt en position Marche (I). 7. Appuyez sur le bouton de réarmement.  <ol style="list-style-type: none"> 8. Si le problème persiste, contactez le support technique Vollrath. |
| | | <p>Inspectez les pales des deux ventilateurs pour voir si elles ne sont pas sales.</p> <ol style="list-style-type: none"> 1. Appuyez sur l'interrupteur de marche/arrêt en position Arrêt (O). 2. Débranchez le four. 3. Attendez 30 minutes que le four refroidisse. 4. Nettoyez les pales du ventilateur. 5. Branchez le four. 6. Appuyez sur l'interrupteur de marche/arrêt en position Marche (I). 7. Appuyez sur le bouton de réarmement. 8. Si le problème persiste, contactez le support technique Vollrath. |
| Le four chauffe, mais le tapis roulant ne bouge pas. | Il y a peut-être un problème au niveau du moteur ou de la commande de réglage de vitesse, ou de la chaîne de transmission. | Contactez le support technique Vollrath. |
| Les tubes chauffants supérieurs ou inférieurs ne chauffent pas. | Il est possible qu'un ou plusieurs tubes chauffants aient grillé. | Contactez le support technique Vollrath. |
| | Il y a peut-être un problème au niveau du thermostat du haut ou du bas. | |
| Les tubes chauffants supérieurs et/ou inférieurs restent allumés lorsque l'interrupteur général est en position Arrêt. | Il y a peut-être un problème au niveau du relais du thermostat. | Contactez le support technique Vollrath. |
| Le four surchauffe régulièrement. | Les plateaux ramasse-miettes ne sont peut-être pas installés. | Vérifiez si les plateaux ramasse-miettes sont installés. |
| | Le ventilateur est peut-être sale. | Vérifiez si les pales du ventilateur sont propres. Reportez-vous aux instructions ci-dessus pour inspecter et nettoyer les pales du ventilateur. |
| | Il y a peut-être un problème de ventilateur. | Préchauffez le four pendant 10 minutes. Si le ventilateur ne tourne pas, contactez le support technique Vollrath. |

DÉPANNAGE

| Problème | Cause possible | Mesure corrective |
|--|--|---|
| Le four du haut dans une installation empilée s'arrête subitement et le ventilateur de l'empileur ne marche pas. | Le thermorupteur s'est peut-être déclenché dans le four du haut. | Appuyez sur le bouton du coupe-circuit à l'arrière du four (See "Features" on page 3.) pour réarmer le circuit. Si le problème persiste, contactez le support technique Vollrath. |
| | Il y a peut-être un problème de branchement électrique dans l'empileur. | Contactez le support technique Vollrath. |
| Le ventilateur ne marche pas. | Il y a peut-être un problème au niveau du ventilateur ou de son interrupteur. | Préchauffez le four pendant 10 minutes. Si le ventilateur ne tourne pas, contactez le support technique Vollrath. |
| Le four est éteint et le ventilateur tourne. | Fonctionnement normal. Le ventilateur se met en marche au besoin pour refroidir le four. | – |

SERVICE ET RÉPARATION

Lorsque le produit est sous garantie, sa réparation est possible en retour atelier. Pour commencer la procédure :

1. Contactez le support technique Vollrath au 1-800-309-2250. Soyez prêt à fournir les numéros de référence, modèle et série. Ces informations se trouvent sur la plaque signalétique sur le côté ou à l'arrière de l'appareil. Fournissez également une preuve d'achat indiquant la date d'achat de l'appareil.
 2. Le support technique vous aidera à dépanner le problème au téléphone.
 3. Si l'agent détermine que le problème exige l'intervention d'un professionnel, il vous aidera à localiser un centre de réparation agréé.
 4. Contactez le centre de réparation agréé et transportez-y l'appareil. Vollrath couvrira le coût de la réparation et/ou du remplacement des pièces défectueuses durant la période de garantie. Les frais de transport de l'appareil à destination et au départ du centre de réparation ne sont pas couverts par la garantie.
-

GARANTIE DE LA VOLLRATH CO. L.L.C.

La Vollrath Company LLC garantit que les produits qu'elle fabrique et distribue seront dépourvus de vices de matériaux et de malfaçons, comme indiqué dans notre déclaration complète de garantie. Dans tous les cas, la garantie entre en vigueur à la date d'achat par l'utilisateur initial indiquée sur le reçu. Tous les dommages subis lors d'une utilisation impropre ou abusive, ou résultant d'une modification ou d'un emballage inadapté lors d'un renvoi du produit pour une réparation sous garantie ne seront pas couverts par la garantie.

La garantie ne s'applique pas aux produits achetés pour un usage personnel, familial ou ménager, et la Vollrath Company LLC ne propose aucune garantie écrite aux acheteurs pour de telles utilisations.

Pièces sous garantie : la période de garantie est de 2 ans pour les pièces et de 1 an pour la main-d'œuvre.

Tubes chauffants : la période de garantie est de 1 an, y compris la main-d'œuvre. Les dommages subis par le verre des tubes chauffants ne sont pas couverts par cette garantie.

Pour des informations complètes sur la garantie, l'enregistrement des produits et l'annonce de nouveaux produits, consultez www.vollrath.com.



www.vollrath.com

The Vollrath Company, L.L.C.

Sheboygan, WI 53081-3201 États-Unis

Standard : 800.624.2051 ou 920.457.4851

Télécopieur : 800.752.5620 ou 920.459.6573

Service clientèle : 800.628.0830

Service clientèle Canada : 800.695.8560

Services techniques

techservicereps@vollrathco.com

Toasters : 1-800-309-2250

Tous les autres produits : 800.628.0832

Hornos para sándwiches con correa transportadora, 68 pulgadas (1,7 m)

Modelo JS014

Gracias por comprar este equipo Vollrath. Antes de usar el equipo, lea y familiarícese con las siguientes instrucciones de operación y seguridad. CONSERVE ESTAS INSTRUCCIONES COMO REFERENCIA PARA EL FUTURO. Conserve la caja y embalado originales. Deberá utilizarlos para devolver el equipo en caso de que requiera reparaciones.

PRECAUCIONES DE SEGURIDAD

Para garantizar una operación segura, lea las siguientes afirmaciones y comprenda su significado. Este manual contiene precauciones de seguridad que se explican a continuación. Léalas atentamente.

ADVERTENCIA

Advertencia se usa para indicar la presencia de un peligro que provocará o puede provocar lesiones graves o letales.

PRECAUCIÓN

Precaución se usa para indicar la presencia de un peligro que provocará o puede provocar lesiones personales o daños materiales leves si se ignora el aviso.

AVISO: Aviso se usa para señalar información importante no relacionada con peligros.

Para disminuir el riesgo de lesiones personales o daños al equipo

- Enchúfelo solo en tomacorrientes con puesta a tierra cuyo voltaje nominal sea el indicado en la placa identificatoria.
- Use el equipo en posición plana y nivelada.
- Desenchúfelo y deje que se enfríe antes de limpiarlo o trasladarlo, pues permanece caliente tras apagarse.
- No lo toque durante el funcionamiento.
- Desenchúfelo cuando no esté en uso.
- Mantenga el equipo y el cable eléctrico lejos de llamas expuestas, quemadores eléctricos o calor excesivo.
- No lo deje funcionando solo.
- Supervise de cerca los equipos en áreas públicas y/o cerca de niños.
- No opere el equipo si se ha dañado o si funciona defectuosamente de algún modo.

FUNCIÓN Y PROPÓSITO

Este equipo está diseñado para tostar sándwiches y derretir queso. No está destinado a cocer alimentos crudos. Está diseñado para usarse únicamente en operaciones comerciales de servicio de comidas. Puede ser utilizado continuamente durante las horas de mayor demanda. No está diseñado para uso doméstico, industrial ni de laboratorio.



| Núm. art. | Modelo | Descripción |
|--------------|--------|---|
| S04-20814L-R | JS014 | Correa transportadora de izquierda a derecha, 14" (35,5 cm) de ancho, 208 V |
| S04-20814R-L | | Correa transportadora de derecha a derecha, 14" (35,5 cm) de ancho, 208 V |
| S04-22014L-R | | Correa transportadora de izquierda a derecha, 14" (35,5 cm) de ancho, 220 V |
| S04-22014R-L | | Correa transportadora de derecha a derecha, 14" (35,5 cm) de ancho, 220 V |
| S04-24014L-R | | Correa transportadora de izquierda a derecha, 14" (35,5 cm) de ancho, 240 V |
| S04-24014R-L | | Correa transportadora de derecha a derecha, 14" (35,5 cm) de ancho, 240 V |

REQUISITOS AMBIENTALES Y DISTANCIADO

A menos que estén hechos de material incombustible o revestidos con material aislante térmico no combustible, no coloque este horno en superficies o cerca de paredes, tabiques o muebles de cocina. Los hornos no deben usarse cerca ni debajo de cortinas y otros materiales combustibles. No coloque el horno junto a un aparato que produzca calor.

Funcionamiento sin ventilación

Este horno ha sido probado y verificado por UL para su funcionamiento sin ventilación en las siguientes condiciones:

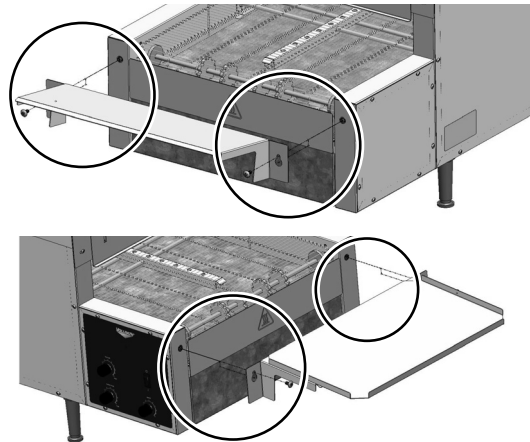
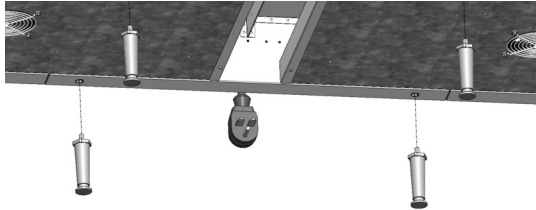
- Para usarse con alimentos precocidos como agregados para pizza, sándwiches y derretir queso
- No debe utilizarse con proteínas crudas y/o grasas como el pollo con piel o con hueso, carne de hamburguesa o salchichas

Nota: Pueden aplicarse códigos locales. La aprobación para el funcionamiento sin ventilación está sujeta a la autoridad local competente (ALC). Comuníquese con dicha autoridad para obtener más información.

PREPARACIÓN

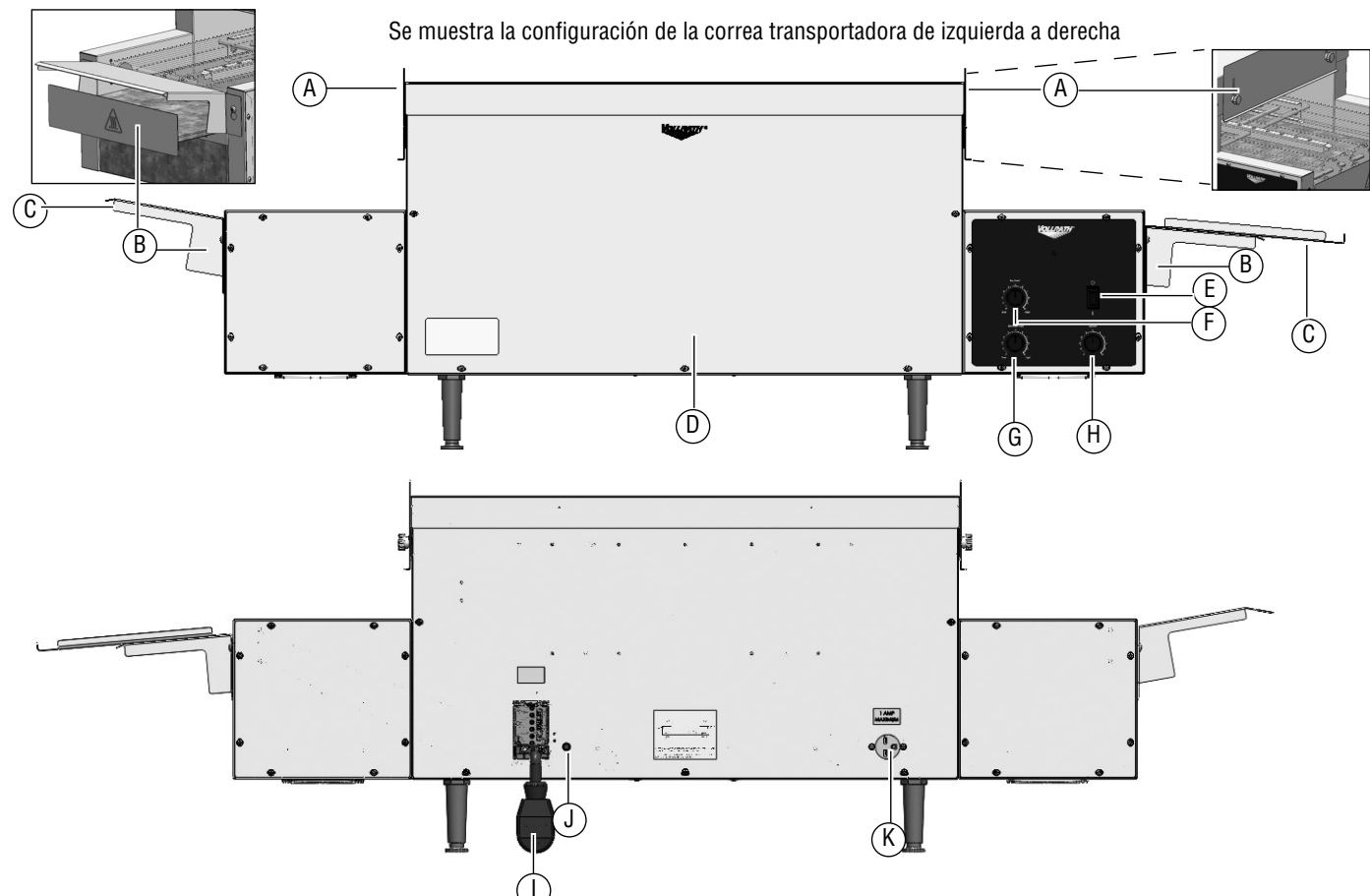
1. Coloque el horno en una superficie dura, plana y estable.
2. Instale las patas. Se requieren dos personas. Haga que una persona levante un extremo del horno mientras la otra instala las patas. Repita el procedimiento con el otro lado del horno.

AVISO: Las patas deben estar instaladas, de lo contrario se restringirá el flujo de aire y el horno se sobrecalentará.



3. Instale las bandejas de carga y descarga de modo que coincidan con la dirección de la correa transportadora. La bandeja de carga se inclina hacia la correa transportadora. La bandeja de descarga se inclina en sentido opuesto a la correa transportadora.

CARACTERÍSTICAS



A Protecciones contra calor

B Bandejas para migas

C Bandejas de carga/descarga

Carga. Se inclina hacia la correa transportadora

Descarga. Se inclina en sentido opuesto a correa transportadora

D Botón de reinicio (referencia solamente. Consulte la page 3.)

E Interruptor de encendido/apagado ,c

O Posición de apagado

I Posición de encendido

F Perilla superior controladora de calor

G Perilla inferior controladora de calor

H Perilla de velocidad de la correa transportadora

I Cable eléctrico


J Cortacircuito para el apilador de horno opcional

K Tomacorriente del apilador de horno. Alimenta el accesorio apilador de horno

ANTES DEL PRIMER USO

1. Limpie el horno. Vea "Limpieza diaria" a la página 3.

FUNCIONAMIENTO

| | |
|---|---|
|  | PRECAUCIÓN Peligro de quemaduras No toque el equipo mientras este esté calentando o funcionando. Las superficies calientes pueden quemar la piel. |
|---|---|

AVISO: Las bandejas para migas debe instalarse en el tostador durante el funcionamiento, de lo contrario el horno se sobrecalentará.

Ajuste la protección contra calor

A fin de obtener los resultados deseados gire las perillas para ajustar las protecciones contra calor de entrada y salida y permitir que el alimento pase al horno y regular así la cantidad de calor retenido en cada extremo del mismo.

Precalentar

1. Enchufe el horno en un tomacorriente puesto a tierra cuyo voltaje nominal corresponda al indicado en la placa identificatoria.

AVISO: Usar un voltaje distinto del indicado en la placa identificatoria dañará la unidad. Usar un voltaje incorrecto, o modificar el cable eléctrico o los componentes electrónicos puede dañar la unidad e invalidará la garantía.

2. Coloque el interruptor de encendido/apagado en la posición de encendido (I).
3. Fije los controles. Ajustes sugeridos para tostar sándwiches abiertos:

| Control | Sugerencias |
|-----------------------|--|
| Calor superior | Aproximadamente 7 para permitir que la carne se caliente y el queso se derrita. |
| Calor inferior | Aproximadamente 5 para tostar ligeramente el pan. |
| Correa transportadora | Aproximadamente 7 para permitir que la carne y el queso se calienten y el pan se tueste. |

4. Espere 20 minutos a que el horno se precaliente.

Prueba

1. Pruebe los ajustes colocando un sándwich en el horno. Los sándwiches se pueden colocar directamente en la correa transportadora o en una bandeja para pizza.

AVISO: Las fuentes, especialmente las fuentes brillantes, y el papel de aluminio reflejarán el calor del sándwich y reducirán el dorado.

2. Controle el proceso de tostado y ajuste las temperaturas y la velocidad de la correa transportadora para evitar que el sándwich se queme.
3. Evalúe los resultados.

Tueste sándwiches

1. Ajuste el control de calor superior e inferior y la configuración de la correa transportadora según sea necesario para lograr los resultados deseados.
2. Deje que el horno se ajuste a la nueva configuración de calor antes de colocar los sándwiches en la correa transportadora.
3. Durante el uso continuo, deje espacio entre los sándwiches en la correa transportadora y el tiempo entre tostados para que el horno se recupere.

Si un producto se atasca

1. Gire la perilla de encendido a la posición de apagado (O) y desenchufe el equipo.
2. Deje que se enfríe totalmente. Use tenazas para retirar el producto. Tenga cuidado de no golpear los elementos calefactores dispuestos arriba y abajo de la correa transportadora.

LIMPIEZA

| | |
|---|--|
|  | ADVERTENCIA Peligro de descarga eléctrica No lo rocíe con agua ni productos de limpieza. El líquido podría hacer contacto con los componentes eléctricos y causar un cortocircuito o una descarga eléctrica. |
|---|--|

| | |
|---|---|
|  | PRECAUCIÓN Peligro de quemaduras Deje que el equipo se enfríe antes de moverlo o limpiarlo. |
|---|---|

AVISO: No emplee materiales abrasivos, limpiadores que rayen ni esponjas metálicas para limpiar el equipo, ya que pueden dañar el acabado.

AVISO: No es necesario limpiar los elementos calefactores. Con el tiempo, los elementos calefactores pueden tomar un aspecto blanquecino, pero ello no afectará el rendimiento.

Limpieza diaria

1. Antes de apagar el equipo y con la correa transportadora girando, observe la correa por si hay restos de alimentos.
2. Cuando los residuos lleguen a la parte delantera del transportador, gire la perilla de encendido a la posición de apagado.
3. Espere que el ventilador deje de funcionar. Desenchúfelo.
4. Deje que se enfríe totalmente.
5. Una vez que esté frío, use un cepillo o un estropajo para eliminar los restos de alimentos.
6. Para limpiar el exterior, use un paño suave sumergido en agua jabonosa caliente a fin de limpiar el exterior y la entrada de aire del ventilador debajo del equipo. Si es necesario, limpie con desengrasante el área de la entrada del ventilador para evitar acumulaciones a largo plazo.
7. Vacíe y limpie la o las bandejas para migas.

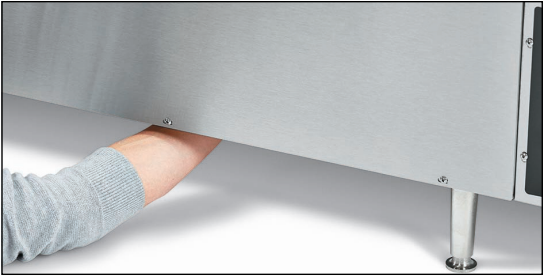
Instrucciones especiales para el funcionamiento sin ventilación

Limpie las superficies adyacentes y el equipo de cocina al menos cada dos meses o con mayor frecuencia según sea necesario

MANTENIMIENTO PREVENTIVO

Póngase en contacto con un agente de servicio autorizado para que realicen una limpieza profesional a los componentes.

SOLUCIÓN DE PROBLEMAS

| Problema | Podría deberse a | Curso de acción |
|--|---|--|
| El horno no se calienta y la correa transportadora no se mueve. | El horno no está enchufado. | Enchúfelo. |
| | El horno no está encendido. | Coloque el interruptor de encendido/apagado en la posición de encendido (I). |
| | Es posible que el interruptor de pared se haya disyuntado. | <ol style="list-style-type: none"> 1. Inspeccione si el interruptor se disyuntó. 2. Reinícielo. 3. Si el interruptor no se disyuntó, inspeccione el horno por si hay elementos calefactores rotos. <p>Si ese es el caso, comuníquese con los Servicios de asistencia técnica de Vollrath.</p> |
| | Es posible que el reinicio se haya disyuntado. | <p>Mire debajo del horno para ver si hay un objeto impidiendo el giro de las aspas en alguno de los ventiladores.</p> <ol style="list-style-type: none"> 1. Coloque el interruptor de encendido/apagado en la posición de apagado (O). 2. Desenchufe el horno. 3. Espere 30 minutos a que el horno se enfríe. 4. Retire el objeto. 5. Enchufe el horno. 6. Coloque el interruptor de encendido/apagado en la posición de encendido (I). 7. Pulse el botón de reinicio.  <ol style="list-style-type: none"> 8. Si el problema persiste, comuníquese con los Servicios de asistencia técnica de Vollrath. |
| | | <p>Inspeccione las aspas en ambos ventiladores para ver si están sucias.</p> <ol style="list-style-type: none"> 1. Coloque el interruptor de encendido/apagado en la posición de apagado (O). 2. Desenchufe el horno. 3. Espere 30 minutos a que el horno se enfríe. 4. Limpie las aspas del ventilador. 5. Enchufe el horno. 6. Coloque el interruptor de encendido/apagado en la posición de encendido (I). 7. Pulse el botón de reinicio. 8. Si el problema persiste, comuníquese con los Servicios de asistencia técnica de Vollrath. |
| El horno se calienta y la correa transportadora no se mueve. | Puede haber un problema con el motor/control de velocidad o la cadena de transmisión. | Comuníquese con los Servicios de asistencia técnica de Vollrath. |
| Los tubos de calor superiores o inferiores no calientan. | Puede que uno o más elementos se hayan quemado. | Comuníquese con los Servicios de asistencia técnica de Vollrath. |
| | Puede haber un problema con el interruptor de calor inferior. | |
| El calor superior y/o inferior permanece encendido cuando el interruptor de suministro está en la posición de apagado. | Puede haber un problema con el relé del control de calor. | Comuníquese con los Servicios de asistencia técnica de Vollrath. |

SOLUCIÓN DE PROBLEMAS

| Problema | Podría deberse a | Curso de acción |
|---|---|--|
| El horno se recalienta repetidamente. | Puede que las bandejas para migas no estén instaladas. | Verifique si se instalaron las bandejas. |
| | Puede que el ventilador esté sucio. | Verifique que las aspas del ventilador estén limpias. Consulte las instrucciones anteriores para inspeccionar y limpiar las aspas del ventilador. |
| | Puede haber un problema con el ventilador. | Haga funcionar el horno durante 10 minutos. Si el ventilador no funciona, comuníquese con los Servicios de asistencia técnica de Vollrath. |
| El horno superior en una instalación apilada deja de funcionar repentinamente y el ventilador en el apilador no está en marcha. | El interruptor limitador alto puede haberse disyuntado en el horno superior. | Pulse el botón del cortacircuito en la parte posterior del horno (See "Features" on page 3.) para reiniciar el circuito. Si el problema persiste, comuníquese con los Servicios de asistencia técnica de Vollrath. |
| | Puede haber un problema de conexión eléctrica en el apilador. | Comuníquese con los Servicios de asistencia técnica de Vollrath. |
| El ventilador no funciona. | Puede haber un problema con el ventilador o su interruptor. | Haga funcionar el horno durante 10 minutos. Si el ventilador no funciona, comuníquese con los Servicios de asistencia técnica de Vollrath. |
| El horno está apagado y el ventilador está funcionando. | Funcionamiento normal. El ventilador se enciende según sea necesario para enfriar el horno. | — |

SERVICIO Y REPARACIÓN

Cuando está en garantía, la reparación de este producto está disponible a través del servicio en tienda. Para iniciar el proceso:

1. Comuníquese con los Servicios de asistencia técnica de Vollrath llamando al 1-800-309-2250. Esté preparado con el número de artículo, modelo y serie. Puede encontrar esta información en la placa identificatoria ubicada en el costado o en la parte posterior del equipo. También proporcione un comprobante de compra que indique la fecha en que se compró el equipo.
2. Un representante de servicio técnico le ayudará a solucionar el problema por teléfono.
3. Si el representante determina que el problema requiere servicio profesional, le ayudará a localizar un centro de servicio autorizado.
4. Póngase en contacto con el centro de servicio autorizado y lleve el equipo a dicho centro. Vollrath cubrirá el costo de la reparación y/o reemplazo de las piezas defectuosas dentro del período de garantía del equipo. La garantía no cubre el costo del transporte del equipo hacia y desde el centro de servicio.

CLÁUSULA DE GARANTÍA DE THE VOLLRATH CO. L.L.C.

The Vollrath Company LLC garantiza los productos que fabrica o distribuye contra defectos en materiales y fabricación, según se especifica en nuestra cláusula de garantía completa. En todos los casos, la garantía rige desde la fecha de compra original del usuario final que aparece en el recibo. La garantía no cubrirá ningún daño que resulte del uso indebido, abuso, modificación o daños causados por el embalado incorrecto durante la devolución para obtener servicio de reparación dentro del período de vigencia de la garantía.

La garantía no se aplica a los productos adquiridos para uso personal, familiar ni doméstico, y The Vollrath Company LLC no ofrece una garantía por escrito a los compradores para dichos usos.

Piezas en garantía: El período de garantía es de 2 años para las piezas, 1 año para la mano de obra.

Tubos del calentador: El período de garantía es de 1 año, incluida la mano de obra cuando se realiza en un centro de servicio autorizado. La garantía no cubre el daño al vidrio del tubo del calentador. El cliente es responsable del costo de transporte del producto al centro de servicio autorizado.

Para obtener información de garantía, inscripción de productos y anuncios de productos nuevos, visite www.vollrath.com.



www.vollrath.com

The Vollrath Company, L.L.C.

1236 North 18th Street
Sheboygan, WI 53081-3201 EE. UU.
Tel. principal: 800.624.2051 ó 920.457.4851
Fax principal: 800.752.5620 ó 920.459.6573
Servicio al cliente: 800.628.0830
Servicio al cliente en Canadá: 800.695.8560

Servicios de asistencia técnica:

techservicereps@vollrathco.com

Tostadores: 1-800-309-2250

Todos los demás productos: 800.628.0832