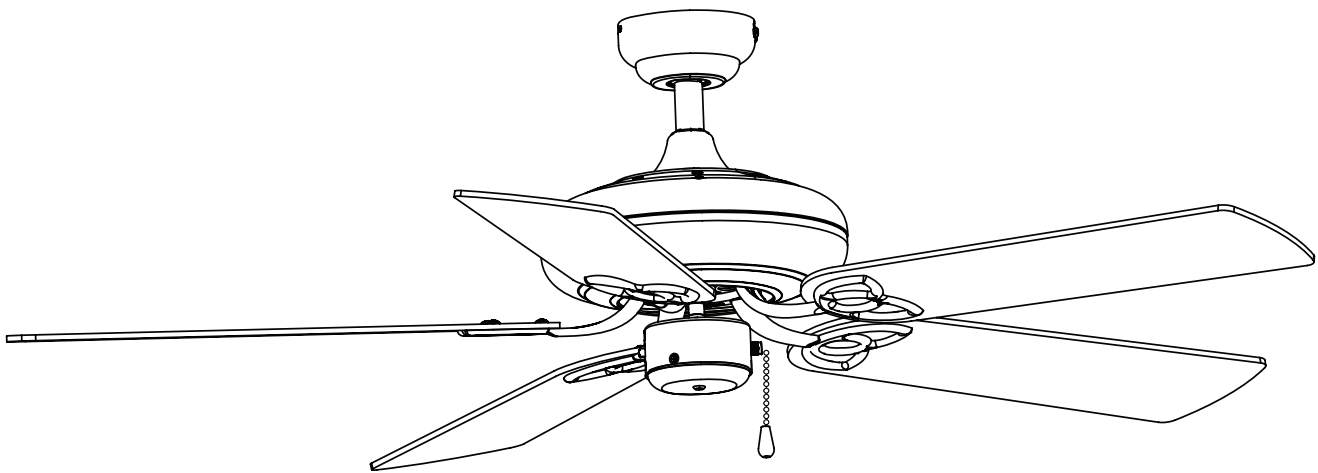


Patriot
LIGHTING™

52" PRYCE CEILING FAN

Owner's Manual

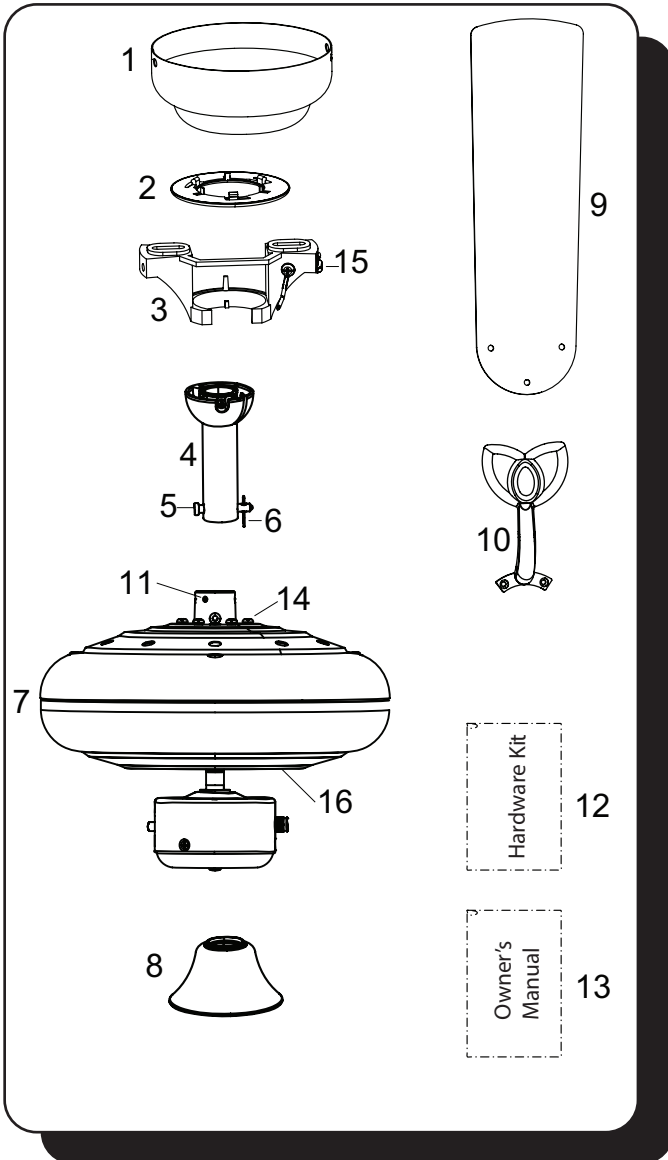
Model #20500 (355-7060)



If a problem cannot be remedied or you are experiencing difficulty in installation,
please contact the Service Department: 1-877-459-3267, 8 a.m. - 5 p.m. Central time.



PACKAGE CONTENTS



Unpack your fan and check the contents. You should have the following items:

PACKAGE CONTENTS

- | | |
|---------------------|----------------------------------|
| 1. Canopy | 10. Blade Arm (x 5) |
| 2. Canopy Cover | 11. Set Screw (x 2) |
| 3. Mounting Bracket | 12. Hardware Kit |
| 4. Downrod | 13. Owner's Manual |
| 5. Downrod Pin | 14. Closemount Screw (x 3) |
| 6. Downrod Clip | 15. Mounting Bracket Screw (x 4) |
| 7. Motor Assembly | 16. Motor Screw (x 10) |
| 8. Yoke Cover | |
| 9. Blade (x 5) | |

HARDWARE CONTENTS

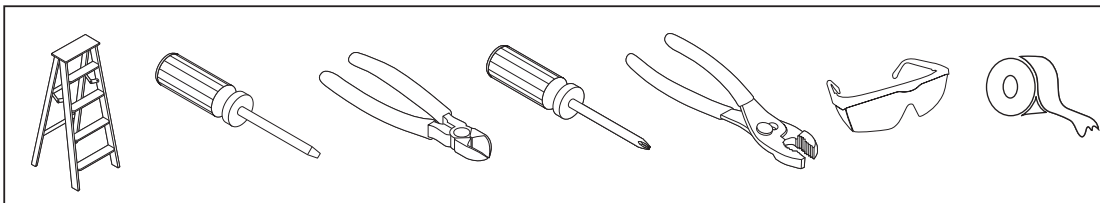
- | | |
|-------------------------|--------------------------|
| 17. Blade Screw (x 15) | 19. Wire Connector (x 3) |
| 18. Blade Washer (x 15) | 20. Pull Chain Extension |

Note: Some extra hardware has been included. The quantity listed above is the number required for installation.

HARDWARE CONTENTS



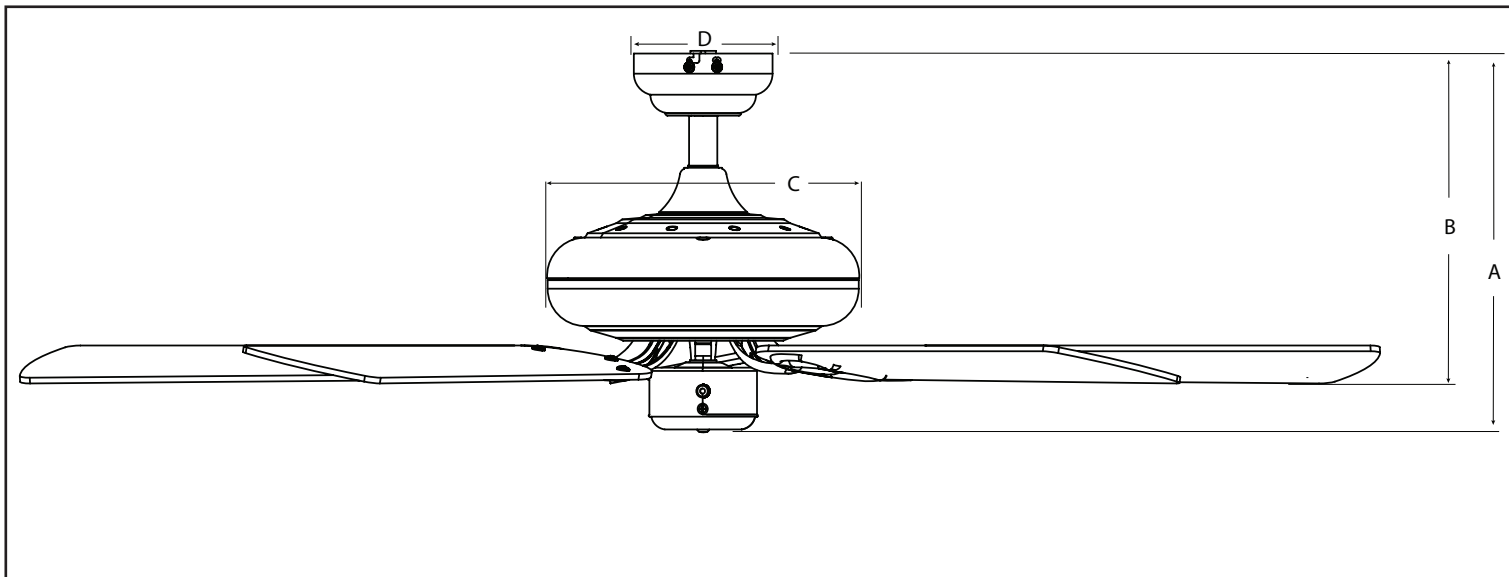
TOOLS REQUIRED (not included)



Tools required for assembly: Electrical tape, Phillips Screwdriver, Pliers, Safety Glasses, Step Ladder, Wire Cutters and Wire Strippers

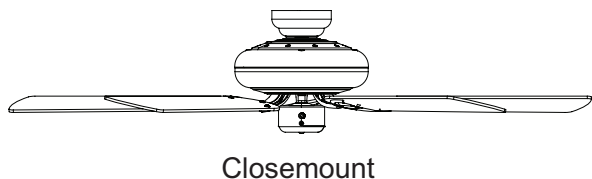
Helpful Tools: AC Tester Light, Tape Measure, and Wiring Handbook

DIMENSION REFERENCE

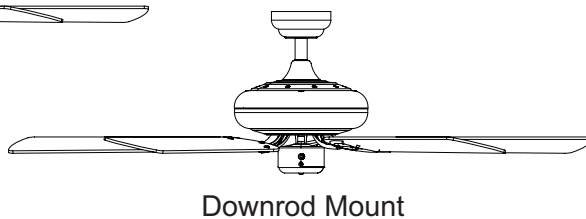


A. 13.99 in. B. 12.15 in. C. 11.18 in. D. 5.08 in.

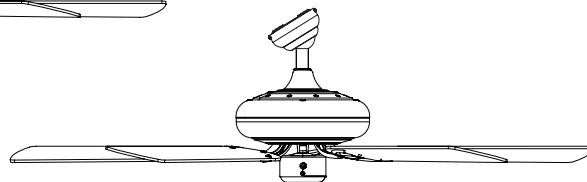
MOUNTING OPTIONS



Closemount



Downrod Mount



Angled Ceiling Mount (Up to 16 degrees)

Choose one of the following mounting options:

Closemount method is best suited for ceilings lower than 8 feet. It does not utilize the downrod.

Downrod Mount is best suited for ceilings 8 ft. or higher. For taller ceilings you may want to use a longer downrod (sold separately).

Angled Ceiling Mount is best suited for angled or vaulted ceilings. A longer downrod is sometimes necessary to ensure proper blade clearance from the ceiling. If using the angle mount, check to ensure the ceiling angle is not steeper than 16°.

SAFETY INSTRUCTIONS

READ ALL SAFETY INFORMATION AND INSTALLATION INSTRUCTIONS BEFORE YOU BEGIN INSTALLING THE FAN AND SAVE INSTRUCTIONS.

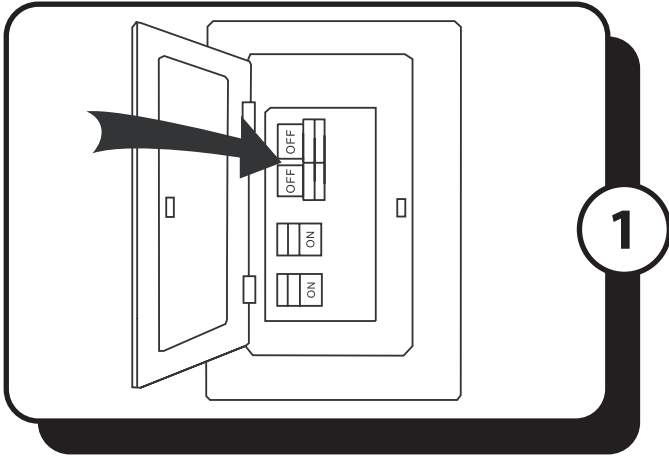
CAUTION:

- All set screws of the fan must be checked and retightened where necessary before installation.
- To reduce the risk of personal injury, do not bend the blade brackets when installing the brackets, balancing the blades or cleaning fan. Do not insert foreign objects in between rotating fan blades.
- Before changing the fan direction, turn off the fan and wait for the fan blades to stop completely.
- The safeguards provided by these safety instructions and by the separate installation instructions are not meant to cover all possible conditions and situations that may occur. It must be understood that common sense, caution and care are factors which can not be built into this product. These factors must be supplied by the person(s) installing, caring for and operating the fan.
- The fan weight is Net Weight: 14.52 lb (6,59 kg). Be sure the outlet box (not included) is securely attached to the building structure and is marked "Acceptable For Fan Support". Failure to do so can result in serious injury.

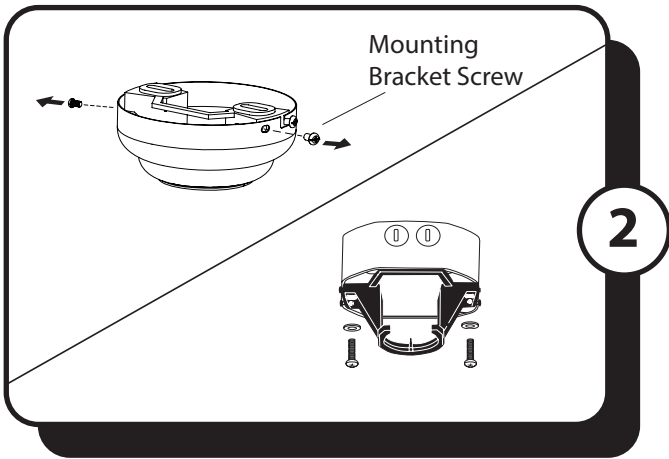
WARNING:

- To avoid risk of electric shock, be sure to shut off power at the main fuse or circuit breaker box before installing or servicing this fixture. Turning off the electrical power by using the light switch is not sufficient to prevent electrical shock.
- To reduce the risk of injury, install the fan so that the blades are at least 7 feet (2.1 Meters) above the floor and at least 18 inches (0.5 Meters) from the tip of the blades to the wall.
- To reduce the risk of fire, electric shock, or personal injury, mount to outlet box marked "acceptable for fan support" and use mounting screws provided with the outlet box.
- The installation has to be in accordance with the national electrical code, ansi/nfpa 70-1999 and local codes. If you are unfamiliar with the methods of installing electrical wiring, seek the services of a qualified licensed electrician.
- Using a full-range dimmer switch to control fan speed will cause a loud humming noise from the fan. To reduce the risk of fire or electric shock, do NOT use a full-range dimmer switch to control the fan speed.

ASSEMBLY INSTRUCTIONS

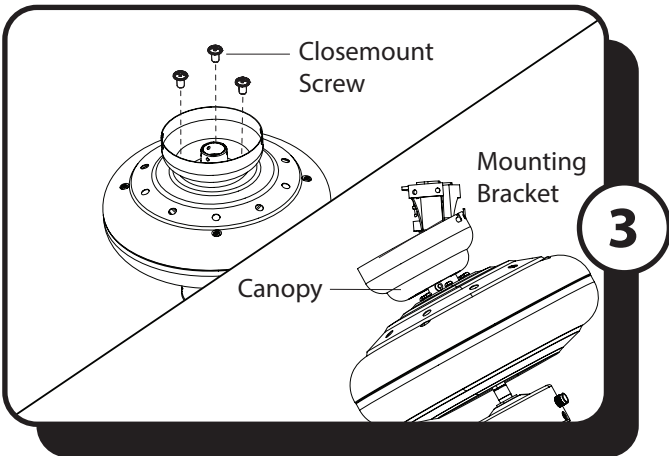


1. Turn OFF the electrical power at the main fuse or circuit breaker.



2. Loosen all four mounting brackets screws, then completely remove the two mounting bracket screws from the round holes of canopy. Set screws aside for later use. Then, install the mounting bracket to the outlet box (not included) using the screws and washers provided with the outlet box.

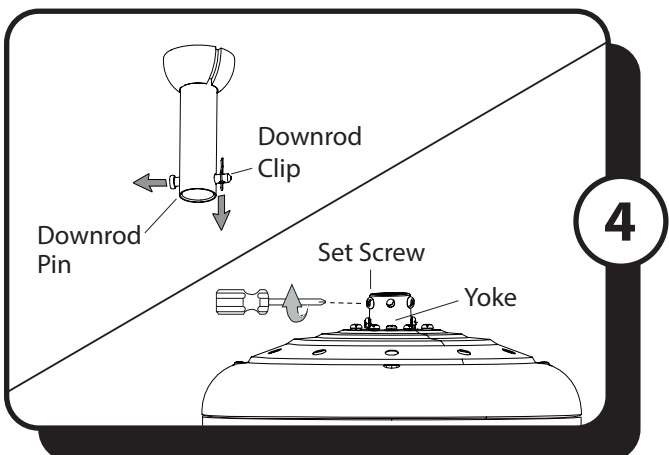
Warning: To reduce the risk of fire electric shock, or personal injury, mount to the outlet box marked "acceptable for fan support" using the mounting screws and washers provided with the outlet box.



3. CLOSEMOUNT INSTALLATION (OPTIONAL)

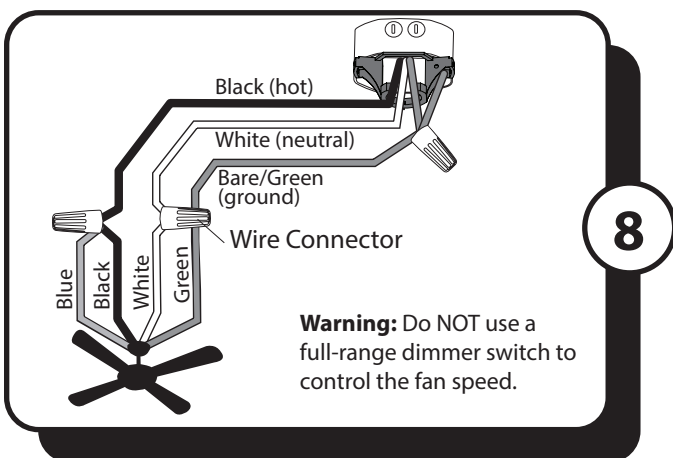
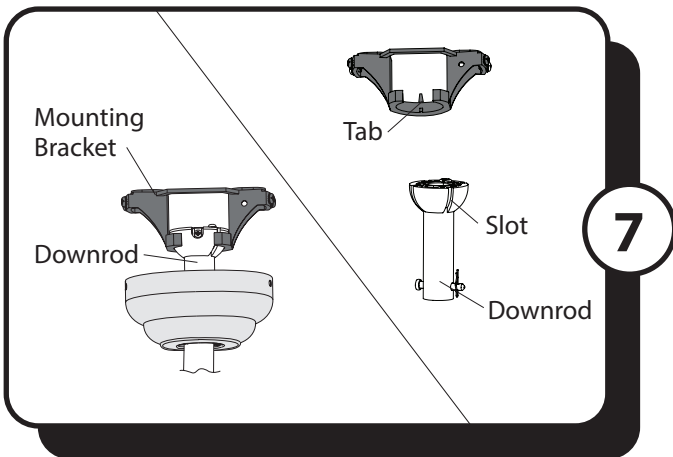
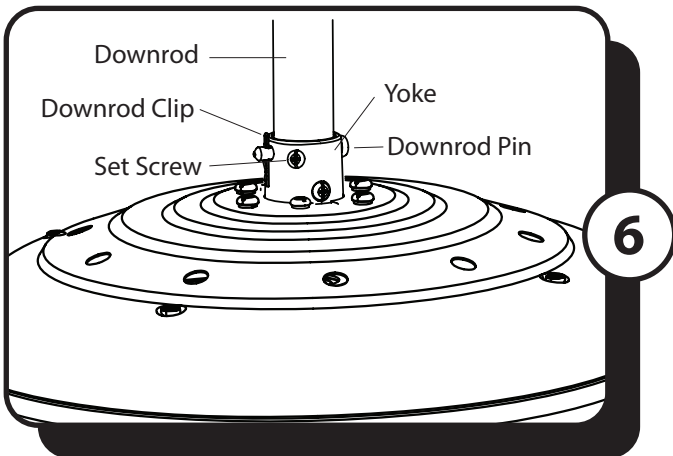
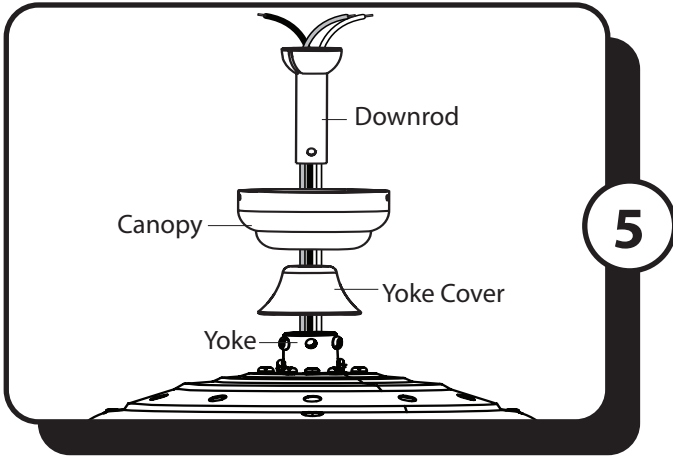
- Remove the canopy cover from the bottom of the canopy.
- Remove the three Phillips-head closemount screws from the top of the motor housing.
- Align the holes in the bottom of the canopy with the screw holes in the top of the motor. The larger holes in the canopy will encompass the three pre-installed screws.
- Secure the canopy to the top of the motor with the closemount screws that were previously removed.
- Hang the fan on the hook of the mounting bracket to free hands during wiring process.

Proceed to Step 8.



4. **DOWNROD MOUNT** - Remove the downrod pin and downrod clip from the downrod. Then, loosen but don't remove the two set screws in the yoke.

ASSEMBLY INSTRUCTIONS



5. Feed the wires coming from the yoke through the yoke cover, canopy and out through the top of the downrod.

6. Insert the downrod into the yoke and reinstall the downrod pin and downrod clip. Then re-tighten the two set screws.

Note: With wiring extending out of the downrod, measure 8 inches of lead wire and cut the excess wire with wire cutters (not included). Then strip 1/2" of insulation from the end of each wire.

7. Lift the downrod into the mounting bracket. Rotate the downrod until the tab in the mounting bracket is seated in the slot in the downrod ball.

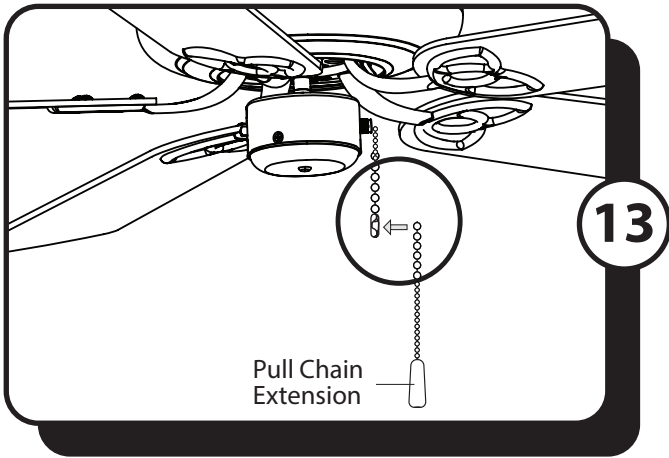
WARNING: The fan and/or downrod should not rotate in the mounting bracket if installed correctly. Failure to align the slot in the downrod ball with the tab may result in fan falling causing serious injury or death.

8. Use wire connectors to connect the fan wires to the power supply wires according to the wiring diagram and the following instructions:

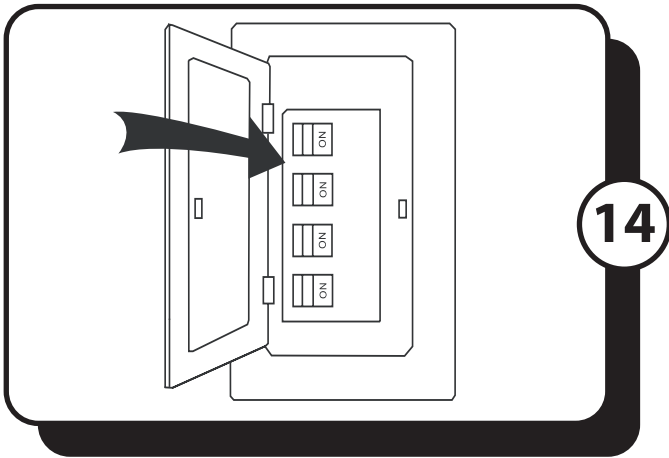
- Connect the white wire from the fan to the white (neutral) supply wire.
- Connect the black and blue wires from the fan to the black (hot) supply wire.
- Connect the green wire from the downrod and the mounting bracket to the bare/green (ground) supply wire.

Important: After the connections have been made, the wires should be turned upward and pushed carefully up into the outlet box. Place the black and white wire connections on opposite sides of the outlet box.

ASSEMBLY INSTRUCTIONS

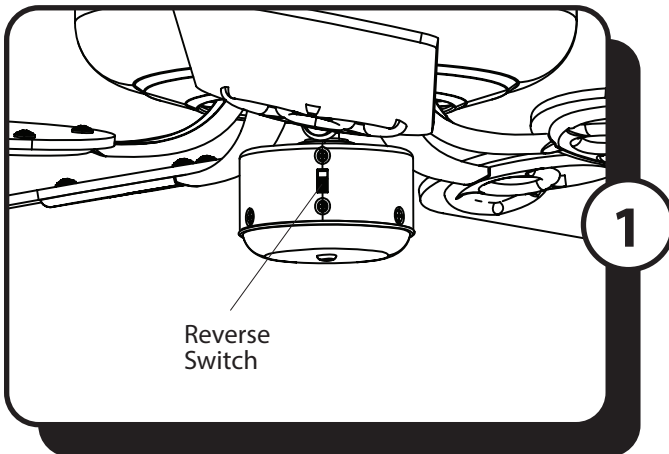


17. Attach the pull chain extension to the pull chain.



18. Restore the power at the main fuse or circuit breaker.

OPERATING INSTRUCTIONS



1. Use the fan reverse switch, located on the switch housing to optimize your fan for seasonal performance. Using a ceiling fan will allow you to raise your thermostat setting in summer and lower your thermostat setting in winter without feeling a difference in your comfort.

In warmer weather, push the reverse switch down which will result in downward airflow creating a wind chill effect.

In cooler weather, push the reverse switch up which will result in upward airflow that can help move stagnant, hot air off the ceiling area.

Important: Wait for the fan to stop before moving the reverse switch. The reverse switch must be set either completely up or down for the fan to function correctly. If the reverse switch is set in the middle position, the fan will not operate.

TROUBLESHOOTING

If you have difficulty operating your new ceiling fan, it may be the result of incorrect assembly, installation or wiring. In some cases, these installation errors may be mistaken for defects. If you experience any faults, please check the Troubleshooting section below. If a problem cannot be remedied or you are experiencing difficulty in installation, please contact the Service Department: 1-877-459-3267, 8 a.m. - 5 p.m. Central time.

| PROBLEM | SUGGESTED REMEDY |
|-----------------------|--|
| 1. Fan does not start | <ol style="list-style-type: none">1. Turn on wall switch, and check fuses or circuit breakers.2. Check power supply wire connections to fan and switch wire connections in switch housing. CAUTION: Make sure main power is turned off before entering canopy.3. Make sure forward/reverse switch pushed completely up or down. Fan will not operate when switch is in the middle.4. Make sure that the wall switch is turned ON. |
| 2. Fan is noisy | <ol style="list-style-type: none">1. Make sure all screws in motor housing are snug, but not overtightened.2. Make sure the motor screws which attach the blade arm to the motor are tight.3. Make sure wire connectors in switch housing are not rattling against each other or against the interior wall of the switch housing. CAUTION: Make sure main power is turned off before entering switch housing.4. Using a full-range dimmer to control fan speed will cause humming noise from the fan. To reduce risk of fire or electrical shock, do NOT use a full range dimmer to control fan. |
| 3. Fan wobbles | <ol style="list-style-type: none">1. Ensure all blades are screwed firmly into blade arms.2. Ensure all blade arms are tightened securely to motor.3. Ensure canopy and mounting bracket are tightened securely to outlet box and outlet box is mounted firmly to ceiling joist.4. Switch one blade with a blade from the opposite side. Or balance the fan using the balancing kit.5. If blade wobble is still noticeable, interchanging two adjacent (side by side) blades can redistribute the weight and possibly result in smoother operation. |

LIMITED LIFETIME WARRANTY

To obtain Service, please contact the Service Department:
1-877-459-3267, 8 a.m. - 5 p.m. Central time.

Model Name: 52" Pryce Ceiling Fan
Model No: 20500 - White (SKU: 355-7060)

The limited lifetime warranty covers this ceiling fan, for residential use by the original purchaser, against defects in material or workmanship as follows:

If your Patriot Lighting Ceiling Fan motor fails at any time during the lifetime of the original purchaser due to defects in material or workmanship, we will provide a replacement part free of charge.

If your fan motor fails at any time within one year after the original date of sale to the original purchaser due to defects in material or workmanship, we will provide labor to repair the defect, with the exception of take down/reinstallation, free of charge. The original purchaser will be responsible for all labor costs after this one year period.

If no replacement parts are provided for any part of your fan motor that fails at any time during your lifetime due to defects in material or workmanship, we will refund the original purchase price of your fan.

If your fan blades, pull chain switch, reverse switch, or any accessory, except glass globes and light bulbs, fails at any time within one year after the original date of purchase due to a defect in material and workmanship, we will repair or, if we choose, replace the defective blades, switch, or accessory free of charge, with the exception of take down/reinstallation services.

If the original purchaser ceases to own the fan, this warranty and any implied warranty, including but not limited to any implied warranty of merchantability or fitness for a particular purpose, become void. This warranty and any implied warranty, including but not limited to any implied warranty of merchantability or fitness for a particular purpose, do not cover glass globes, light bulbs, or finish on any metal portions of the fan.

This warranty is in lieu of express warranties. The duration of any implied warranty of merchantability or fitness for a particular purpose, with respect to any Patriot Lighting Ceiling Fan motor, blades, switch, or accessories, is expressly limited to the period of the express warranty set forth above for such motor, blades, switch, or accessories.

This warranty excludes defects, malfunctions, or failures of any Patriot Lighting Fan that are caused by repairs by persons not authorized by us, use of parts or accessories not authorized by us, mishandling, improper installation, modifications or damage to the fan while in your possession, or unreasonable use, including failure to provide necessary maintenance.

To obtain service, contact the service department. You will be responsible for all insurance and freight or other transportation charges to our factory or service center. A copy of sales receipt is required in order to obtain service. We will return your fan freight prepaid. Your fan should be properly packed to avoid damage in transit, for we will not be responsible for any such damages.

In no event shall Patriot Lighting Fan be liable for consequential or incidental damages.

Some states do not allow the exclusion or limitation of consequential or incidental damages, in which case the above limitation or exclusion may not apply.

This warranty gives you specific legal rights and you may also have other rights which vary from state to state.