

AZUR

Use & Care Manual

Refrigerators



Model Numbers:

A115R-S
A115R-O
A124R-S
A124R-O

Beverage Centers



Model Numbers:

A115BEV-S
A115BEV-O
A124BEV-S
A124BEV-O

Wine Centers



Model Numbers:

A115WC-S
A115WC-O
A124WC-S
A124WC-O



Intertek
3069814

CONFORMS TO UL STD. 471
CERTIFIED TO CSA STD. C22.2 NO. 120-M91

Table of Contents

	Page
Safety Precautions	3-6
Warranty	7-8
Installation Instructions	9-12
How to Install and Adjust the Bottom Vent	13
How to Install an Overlay Panel	14
Operating Your Azure Appliances	15-16
Care and Maintenance	17
Troubleshooting Guide	18
Wine Center Parts Listings	19-22
Beverage Center Parts Listings	23-26
Refrigerator Parts Listings	27-30



Safety Precautions

Your safety and the safety of others are very important.

We have provided many important safety messages in this manual for your appliance. Always read and obey all safety messages.



This is the Safety Alert Symbol. This symbol alerts you to potential hazards that can cause severe bodily injury or death. All safety messages will follow the Safety Alert Symbol and either the words “DANGER” “WARNING” or “CAUTION”



Danger means that failure to heed this safety statement may result in severe injury or death.



Warning means that failure to heed this safety statement may result in extensive product damage, serious personal injury, or death.



Caution means that failure to heed this safety statement may result in minor or moderate personal injury, property or equipment damage.

Safety Precautions (continued)

For your safety, read all instructions carefully before operating the appliance.



DANGER: When using an electrical appliance, basic precautions should always be followed to reduce the risk of fire, electric shock, and injury to persons.



WARNING: To reduce the risk of fire, electric shock or personal injury, unplug or disconnect the appliance from the power supply before servicing.



CAUTION: Flammable refrigerant used! When handling, moving and use of the refrigerator, make sure to avoid either damaging the refrigerant tubing, or increasing the risk of a leak.

- Use this appliance only as described in this manual. Other uses not recommended may cause fire, electric shock or personal injury.
- This appliance is not intended for use by young children or infirm persons unless they have been adequately supervised by a responsible person to ensure that they can use the appliance safely.
- Young children should be supervised to ensure that they never play with the appliance.
- To protect against the risk of electric shock, NEVER IMMERSE the unit, cord, or plug in water or spray any other liquid.
- Unplug the appliance from the plug socket when not in use, when moving from one location to another and before cleaning.
- To disconnect the appliance, grip the plug and pull it from the wall outlet. Never pull by the cord.
- Never operate the appliance in the presence of explosive and/or flammable fumes.
- Never place the appliance or any of its parts near an open flame, cooking or other heating appliance.
- Never operate the appliance with a damaged cord or plug, if the product malfunctions, or if it is dropped or damaged in any manner.
- The use of attachments not recommended by the manufacturer may be hazardous.
- Place the unit on a dry level surface.
- Never operate if the housing is removed or damaged.
- A loose fit between the AC outlet (receptacle) and plug may cause overheating and a distortion of the plug. Contact a qualified electrician to replace loose or worn outlet.
- Locate the unit away from direct sunlight and sources of heat (stove, heater, radiator, etc.).

Safety Precautions (continued)

- This appliance is CFC and HFC free and contains small quantities of Isobutane (R600a), an environmentally friendly coolant.
- You must ensure that the cooling circuit is undamaged when installing the appliance. However, if it becomes damaged, avoid proximity to open fires and heat sources of all kinds. The room in which the appliance is located should be ventilated properly and according to state and local codes.
- Never use an appliance with a damaged circuit.
- Ensure that the ventilation openings to and from a built-in appliance are never blocked or covered.
- No liability will be accepted for any damage caused by misuse of the appliance, or as a result of repairs carried out by unqualified person. In this case neither the warranty nor any other liability claims will apply.



- **WARNING:** Never operate any other electrical appliance inside this appliance.
- Never attempt to repair or replace any part of your appliance unless it is specifically recommended in this manual. All other servicing should be referred to a qualified technician.
- Replace all access panels before operating.
- Use two or more people to move and install the appliance. Failure to do so can result in back or other injury.
- Never clean appliance parts with flammable liquids. These fumes can create a fire hazard or explosion. Never store or use gasoline or other flammable vapors and liquids in the vicinity of this or any other appliance. The fumes can create a fire hazard or explosion.
- Never connect or disconnect the electric plug with wet hands.
- It is recommended that a separate circuit, serving only your appliance be provided. Use receptacles that cannot be turned off by a switch or pull chain.



WARNING: To reduce the risk of fire, electric shock or personal injury, unplug or disconnect the appliance from the power supply before servicing.

Save These Instructions

If you are experiencing problems, check the Troubleshooting Guide at the back of this manual. It lists causes of minor operating problems that you can correct yourself.

Safety Precautions (continued)

Disposal of Old Appliance


Dispose of your appliance packaging properly.

Refrigeration equipment must be properly disposed of in a way which protects the environment. This applies to your old appliance and to your new unit once it has reached the end of its service life.



WARNING: Please ensure that old, worn appliances are rendered unusable before disposal by removing the plug, cutting the power cable, and removing or destroying any snap fastenings or bolts. You will thus prevent children from locking themselves in the appliance during play (risk of suffocation) or endangering their lives in any other way.

Disposal instructions:

- The appliance must not be disposed with normal household waste collection.
- The coolant circuit, particularly the heat exchanger at the back/bottom of the unit, must not be damaged.
- The  symbol on the product or its packaging indicates that this product is not to be handled as normal household waste but is to be taken to a recycling collection point for electrical and electronic goods. By correctly disposing of this product you are contributing to the protection of the environment. Improper disposal endangers health and the environment. Further information about the recycling of the product may be obtained from your town hall or local waste collection department.



DANGER

Electric
Shock Risk



Limited Warranty

Products offered through Azure Systems (“Azure”) are manufactured to provide outstanding value, and customer satisfaction is Azure’s goal for every product. As set forth below, all Azure appliances carry a twelve (12) month limited warranty on both parts and labor, and all refrigerators and freezers carry a thirty-six (36) month limited warranty on the product’s compressor. Certain exclusions to those warranties may apply.

GENERAL PARTS AND LABOR WARRANTY

Azure warrants to the original purchaser of every new unit that the cabinet and all of its parts will be free from defects in material or workmanship, under normal and proper use and maintenance service, as specified by Azure, and upon proper installation and start-up, in accordance with the instruction packet supplied with each Azure unit. This limited warranty expires after twelve (12) months from the date of original purchase, to the original purchaser.

Purchaser’s remedy under this limited warranty, is limited to the repair or replacement, at Azure’s sole discretion, of defective parts or assemblies. All service issues under this limited warranty must be directed to Azure at info@azurehomeproducts.com, or by calling 844-662-9873, and service or repairs preformed without notice to and approval of or under the direction of Azure are not covered under this limited warranty.

COMPRESSOR WARRANTY

Azure warrants that each unit’s hermetically sealed compressor to be free from defects in both material and workmanship, under normal and proper use and maintenance, for a period of thirty-six (36) months from the date of original purchase. Compressors determined by Azure to have been defective within this time period will be either repaired or replaced, at Azure’s sole discretion, with a compressor or compressor parts of similar design and capacity. This limited compressor warranty applies only to hermetically sealed parts of the compressor and DOES NOT apply to any other parts or components, including, but not limited to, the cabinet, paint finish, temperature control, refrigerant, metering device, driers, motor starting equipment, fan assembly, or any other mechanical or electrical component.

All service issues under this limited warranty must be directed to Azure at info@azurehomeproducts.com, or by calling 844-662-9873, and service or repairs preformed without notice to and approval of or under the direction of Azure are not covered under this limited warranty.

LIMITED WARRANTY

As set forth above, Azure’s sole obligation under this limited warranty is limited to either repair or replacement of parts, subject to the additional limitations below. Azure may require the return of defective parts for examination before issuing replacement parts. If you are required to return defective parts, shipping charges must be prepaid by the customer. Upon examination, and to Azure’s determination, if the original part is proven defective, Azure may approve your claim and elect to replace such parts without charge. In every instance, the customer is responsible for the shipping and handling of replacement parts. Product repair and/or replacement is the exclusive remedy under this limited warranty.

LIMITATION OF LIABILITY; LIMITATION OF DAMAGES: Azure is not responsible for economic loss; lost profits; or special, direct, indirect, or consequential damages, including without limitation, losses or damages arising from food or product spoilage claims, whether or not on account of alleged refrigeration failure or any defect. Purchaser’s exclusive remedies are described above.

WARRANTY IS NOT TRANSFERABLE: This warranty is not transferable and applies only in favor of the original purchaser. Any attempted assignment or transfer of this limited warranty shall void the limited warranties described herein and shall void all warranties, express or implied, including any warranty of merchantability or fitness for a particular purpose.

OPEN BOX/SCRATCH AND DENT ITEMS: Azure does not cover the costs associated with damage (cosmetic or otherwise) to a unit that has been purchased as an open box or scratch and dent item. Issues with open box items must be discussed with the dealer or reseller who initially sold the product.

Limited Warranty (continued)

IMPROPER USE: Azure assumes no liability for component failure or other damages resulting from improper usage or installation or failure to clean and/or maintain the product as set forth in the warranty packet provided with the product. This limited warranty does not cover the cost of any inconvenience, personal injury or property damage due to improper use or product failure. This limited warranty also does not cover any failures or operating difficulties due to accidents, abuse, misuse, alteration, misapplication, vandalism, improper installation, maintenance or service.

ALTERATION, NEGLIGENCE, ABUSE, MISUSE, ACCIDENT, DAMAGE DURING TRANSIT OR INSTALLATION, FIRE, FLOOD, ACTS OF GOD: Azure is not responsible for the repair or replacement of any parts that Azure determines have been subjected to alteration, neglect, abuse, misuse, accident, damage during transit or installation, fire, flood, or act of God.

IMPROPER ELECTRICAL CONNECTIONS: Azure is not responsible for the repair or replacement of failed or damaged components resulting from electrical power failure, the use of extension cords, low voltage, or voltage drops to the unit.

TO THE MAXIMUM EXTENT PERMITTED BY LAW, THIS LIMITED WARRANTY AND THE REMEDIES SET FORTH ABOVE ARE EXCLUSIVE AND IN LIEU OF ALL OTHER WARRANTIES, REMEDIES AND CONDITIONS, WHETHER ORAL OR WRITTEN, EXPRESSED OR IMPLIED. TO THE MAXIMUM EXTENT PERMITTED BY LAW, AZURE ALSO SPECIFICALLY DISCLAIMS ANY AND ALL IMPLIED WARRANTIES, INCLUDING, WITHOUT LIMITATION, WARRANTIES OF MERCHANTABILITY AND FITNESS FOR A PARTICULAR PURPOSE.

Installation Instructions

Before Using Your Azure Appliance

- Remove all exterior and interior packing.
- Before connecting the appliance to the power source, let it stand upright for approximately 2 hours. This will reduce the possibility of a malfunction in the cooling system caused by handling during transportation.
- Clean the interior surface with warm water using a soft cloth.
- The door on this appliance can be opened from either the left or the right side. The unit is delivered with the door opening on the left side. Should you wish to open the door from the right, follow the instructions, “Reversing the Door Swing of your Appliance,” listed below.

Installation of Your Appliance

- Azure appliances are designed for either built-in, or free standing installation.
- Place your appliance on a floor that is strong enough to support it when it is fully loaded. To level your appliance, adjust the 4 legs until level.
- Locate the appliance away from direct sunlight and sources of heat (stove, heater, radiator, etc.). Direct sunlight may affect the acrylic coating and heat sources may increase electrical consumption. Extreme cold ambient temperatures may also cause the unit not to perform properly.
- Never located the unit in damp areas.
- Plug the appliance into an exclusive, easily accessible electrical socket.
- Any questions concerning power and/or electrical connection should be directed towards a qualified electrician or an authorized products service center.
- The air vent at the front of the appliance must never be covered or blocked in any way.
- The appliance must be installed to all electrical, plumbing, water and drain connections in accordance with state and local codes.

Installation Instructions (continued)

Built-in Cabinet Instructions

These units are designed for either built-in, or free standing installation. To use this unit in a built-in application follow the dimensions listed below.

Model Numbers to Reference in Charts Below:

- **15" Models:**
 - Wine Centers: A115WC-S; A115WC-O
 - Beverage Centers: A115BEV-S; A115BEV-O
 - Refrigerators: A115R-S; A115R-O
- **24" Models:**
 - Wine Centers: A124WC-S; A124WC-O
 - Beverage Centers: A124BEV-S; A124BEV-O
 - Refrigerators: A124R-S; A124R-O

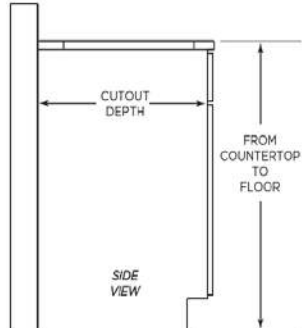
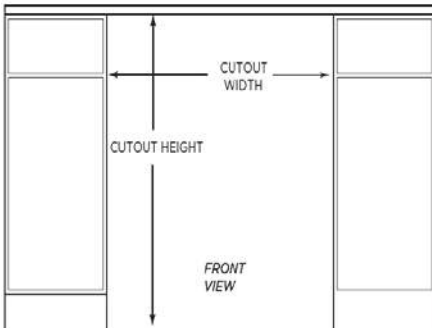
<i>Product Dimensions</i>				
Model Size	Height	Width	Depth	Depth w/ Handle
15"	32" - 34-1/2"	14-5/8"	22-1/2"	24"
24"	32" - 34-1/2"	23-1/2"	22-1/2"	24"

Product Dimensions represent the actual size of the appliance

<i>Cutout Dimensions for Cabinet</i>			
Model Size	Height	Width	Depth
15"	32-1/8" - 34-5/8"	14-3/4"	22-5/8"
24"	32-1/8" - 34-5/8"	23-5/8"	22-5/8"

Cutout Dimensions represent the opening dimensions needed for the appliance to fit into a built-in installation. See diagrams below for reference.

Cutout Diagrams



Installation Instructions (continued)

Attention

- Never overload the cabinet.
- Never open the door unless necessary.
- Never cover shelves with aluminum foil or any other shelf material which may prevent air circulation.
- Should the Azure appliance be left empty for long periods, it is suggested that the appliance be unplugged, and, after careful cleaning, leave the door ajar to allow air to circulate inside the cabinet in order to avoid possible condensation, mold or odors from forming.

Electrical Connection



Check that the voltage marked on the product corresponds with your supply voltage.

WARNING: Improper use of the grounded plug can result in the risk of electrical shock. If the power cord is damaged, have it replaced by a qualified electrician or an authorized service center.

This appliance should be properly grounded for your safety. The power cord of this appliance is equipped with a three-pin plug which mates with standard three-pin wall outlets to minimize the possibility of electrical shock.

Never under any circumstances cut or remove the third ground prong from the power cord supplied. For personal safety, this appliance must be properly grounded.

This appliance requires a standard 115/120 Volt AC~60Hz electrical ground outlet with three pins. Have the wall outlet and circuit checked by a qualified electrician to make sure the outlet is properly grounded. When a standard two-pin wall outlet is encountered, it is your responsibility and obligation to have it replaced with a properly grounded three-pin wall outlet.

To prevent accidental injury, the cord should be secured behind the appliance and not left exposed or dangling.

The appliance should always be plugged into its own individual electrical outlet which has a voltage rating that matches the rating label on the appliance. This provides the best performance and also prevent overloading wiring circuits that could cause a fire hazard from overheating. Never unplug the appliance by pulling the power cord. Always grip the plug firmly and pull straight out from the receptacle. Repair or replace immediately all power cords that have become frayed or otherwise damaged. Never use a cord that shows cracks or abrasion damage along its length or at either end. When moving the appliance, be careful not to damage the power cord.

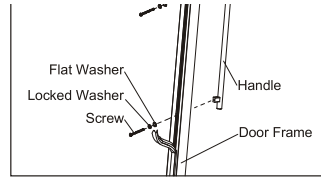
Electrical fuse protection of at least 10 amperes must be provided. If the socket is no longer accessible once the appliance has been built-in, suitable measures must be taken during electrical installation to ensure that the appliance can be disconnected from the electrical socket when needed.

Never use your appliance with an extension cord unless this cord has been checked and tested by a qualified technician or service person. The extension cord must be a UL/CUL Listed, 3-wire grounding extension cord that has a grounding plug and outlet and that the electrical rating of the cord is 115 volts and at least 10 amperes.

Installation Instructions (continued)

Installing the Handle

1. Remove the door gasket on the side you wish to install the handle. Under the gasket you will see two designated holes for handle installation
2. Install the handle tightly as shown above with two screws, lock washers and flat washers provided.
3. Replace the door gasket.

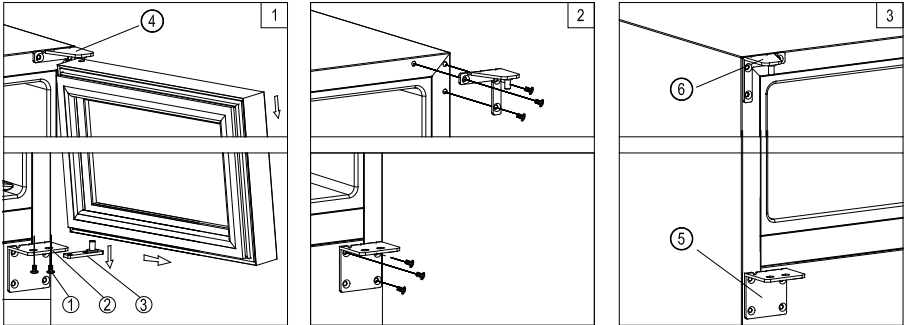


Reversing the door swing of your appliance

Should you desire to reverse the opening direction of the door, please follow the instructions below:

Note: All parts removed must be saved to do the reinstallation of door

- | | |
|------------------------|--------------------------|
| 1. Lock screws | 5. Glass door |
| 2. Right lower hinge | 6. Cabinet |
| 3. Door shaft assembly | 7. Left top hinge |
| 4. Right top hinge | 8. Left lower door hinge |



1. Open the glass door and remove the two screws, under the right bottom corner of the door, that are used to hold the right lower hinge to the door shaft assembly. Be careful to support the door with both hands to prevent it dropping after removing the screws. (Figure 1)
2. Pull down to remove the door and place it on a padded surface to prevent scratching it. (Figure 1)
3. Remove the right top hinge and right lower hinge. (Figure 3). Take the left top hinge and left lower hinge from the plastic bag that includes the instruction manual then install them in the designated positions on the left side of cabinet. (Figure 4)
4. Turn the glass door around 180° and then relocate the door to the designated position.
5. Then screw the bottom hinge assembly on the left designated position and tighten it after the door is leveled. (Figure 6)
6. Reassemble the ventilation grills.

How to Install and Adjust the Bottom Vent

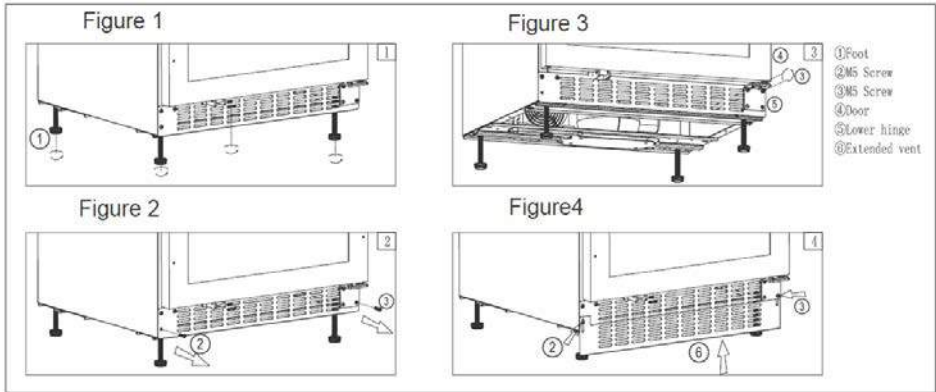


Figure 1: The legs come packaged at their lowest height of 32.5". You can extend these legs up to 34.5" (or your desired height) by unscrewing them counterclockwise.

Figure 2: Using a Philips screwdriver, remove screw #2 and bolt #3.

Figure 3: Loosen the remaining two screws on the top of the door bracket and make sure there is now a gap between the door bracket and existing vent (#5).

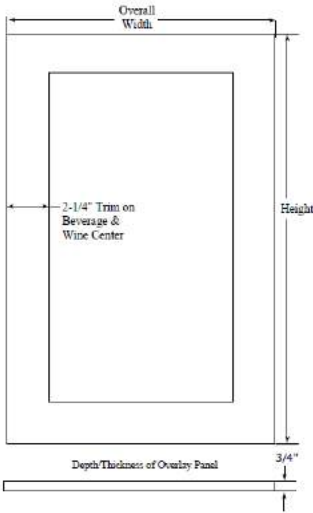
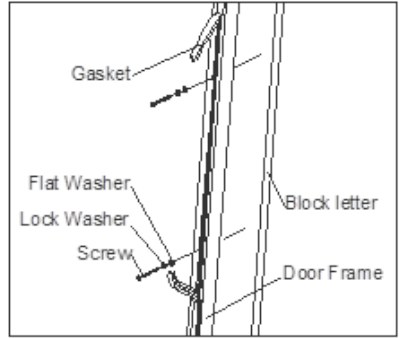
Figure 4: Install the additional/extended vent (#6) from the bottom, sliding it into the gap created in Figure 3 on the right side of the cabinet and to the front of the existing left side vent. Set the height as you desire and then re-install and tighten down all bolts.

How to Install an Overlay Panel

Only for Model Numbers:

A115WC-O; A124WC-O; A115BEV-O; A124BEV-O; A115R-O; A124R-O

1. Remove the door gasket from the interior of the door.
2. The screws that come with the unit are intended to be used with a 3/4" front panel.
3. Clamp your front panels to the frame of the door and then anchor the panel to the door, using the screw, lock washer and flat washer provided for each mounting hole.
4. Re-install the gasket into the door assembly.



Dimensions for Overlay Panels

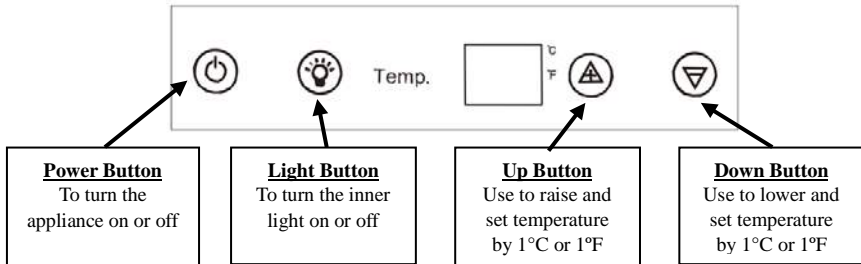
Model	Height	Total Width of Door	Width of Trim	Depth / Thickness of Trim
A115WC-O	23-3/8"	14-1/2"	2-1/4"	3/4"
A124WC-O	28-1/8"	23-1/8"	2-1/4"	3/4"
A115BEV-O	23-3/8"	14-1/2"	2-1/4"	3/4"
A124BEV-O	28-1/8"	23-1/8"	2-1/4"	3/4"
A115R-O	23-3/8"	14-1/2"	N/A	3/4"
A124R-O	28-1/8"	23-1/8"	N/A	3/4"

Operating Your Azure Appliance

When you use your Azure appliance for the first time, or restart the appliance after having been shut off for a long period of time, there could be a few degrees variance between the temperature you select and the one indicated on the LED readout. This is normal and is due to the length of time that it was inactive. Once the appliance has been running for a few hours, the temperature readout will go back to normal.

If the unit is unplugged, power lost, or turned off, you must wait 3 to 5 minutes before restarting the unit. If you attempt to restart before this time delay, the appliance may not start and will keep the last set temperature.

The Controls of Azure Appliance



°F/°C Selector

You can choose to display temperatures in Celsius or Fahrenheit. To change the temperature from Fahrenheit to Celsius or from Celsius to Fahrenheit, touch and hold the button for 5 seconds.

Setting a Temperature

- The temperature will increase by 1°C or 1°F if you touch the **UP** mark once, and will decrease 1°C or 1°F if you touch the **DOWN** mark once.

Setting the Temperature Control for your Wine Center

Model Numbers: A115WC-S; A115WC-O; A124WC-S; A124WC-O

- Your wine cellar has one temperature controlled compartment, which has a temperature range between 40° and 64°F (5 and 18°C).
- It is recommended to set the temperature between 55-64°F (12°C to + 18°C) range for storing red wines and to adjust the temperature between 40-55°F range (5° and 12°C) for champagnes and white wines.
- The Wine Center should be placed in a position where the ambient temperature is between 60-95°F (16-35°C). If the ambient temperature is above or below this range, the performance of the unit may be affected.
 - For example, placing your unit in extreme cold or hot conditions may cause interior temperatures to fluctuate. The range of 40-65°F (5-18°C) for a wine center may not be reached.

Setting the Temperature Control for your Beverage Center and Refrigerator

Model Numbers: A115BEV-S; A115BEV-O; A115R-S; A115R-O; A124BEV-S; A124BEV-O; A124R-S; A124R-O

- Your refrigerator and/or beverage center has one temperature controlled compartment, which has a temperature range between 34° and 43° F (1 and 6°C).
- The refrigerator and/or beverage center should be placed in a position where the ambient temperature is between 60-95°F (16-35°C). If the ambient temperature is above or below this range, the performance of the unit may be affected.
 - For example, placing your unit in extreme cold or hot conditions may cause interior temperatures to fluctuate. The range of 34° and 43° F (1 and 6°C) may not be reached.

Operating Your Azure Appliance (continued)

Key Lock

If in 2 minutes without touching any key, the controls will be locked automatically. To release the lock, touch the up



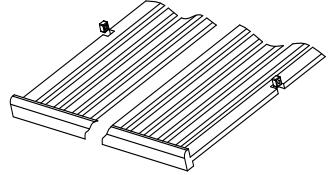
and down



marks at the same time for at least 5 seconds.

Shelves

- To prevent damaging the door or door gasket, make sure the door is fully open when pulling shelves out of the rail compartment.
- The shelves are designed with an emergency stop to prevent them being removed too far when loaded. For easy access to the bottles stored, pull the shelves out approximately a third of the way.
- To remove the shelves, simply pull the shelf forward to the “stopper” then lift the entire grate up and over the stopper.



Defrosting

- The unit defrosts automatically.
- The evaporator behind the rear wall of the unit defrosts automatically. The condensate collects in the drainage channel behind the rear wall of the unit, and flows through the drainage hole into the drip tray by the compressor where it evaporates.

Storage

- Many bottles may differ in size and dimensions. As such the actual number of bottles you may be able to store may vary.

Care and Maintenance

Cleaning Your Azure Appliance

- Turn off the power, unplug the appliance, and remove all items including shelves and rack.
- Wash the inside surfaces with a warm water and baking soda solution. The solution should be about 2 tablespoons of baking soda to a pint of water.
- Wash the shelves with a mild detergent solution.
- Wring excess water out of the sponge or cloth when cleaning any area of the controls.
- Wash the outside cabinet with warm water and mild liquid detergent. Rinse well and wipe dry with a clean soft cloth.

Power Failure

- Most power failures are corrected within a few hours and should not affect the temperature of your appliance if you minimize the number of times the door is opened. If the power is going to be off for a longer period of time, you need to take the proper steps to protect your contents.

Vacation Time

- Short holidays: Leave the appliance in operation for holidays of less than three weeks.
- Long absences: If the appliance will not be used for several months, remove all items, turn off the appliance and unplug. Clean and dry the interior thoroughly.
 - To prevent odor and mold growth, leave the door open slightly, blocking it open if necessary.

Moving Your Wine Center

- Remove all items.
- Securely tape down all loose items (shelves) inside your appliance.
- Turn the adjustable leg all the way up (clockwise) to the base to avoid damage.
- Tape the door shut.
- Be sure the appliance stays secure in the upright position during transportation. Also protect outside of appliance with a blanket, or similar item.

Energy Saving Tips

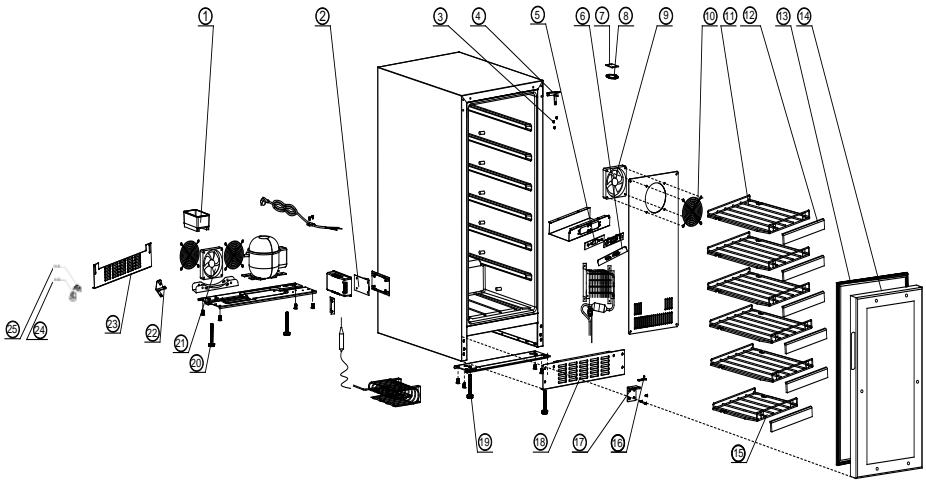
- The appliance should be located in the coolest area of the room, away from heat producing appliances, and out of the direct sunlight.
- Ensure that the unit is adequately ventilated. Never cover air vents.
- Only open the door for as long as necessary.

Troubleshooting Guide

POSSIBLE PROBLEM	POSSIBLE CAUSE
Wine Center does not operate.	<ul style="list-style-type: none"> • Not plugged in. • The appliance is turned off. • The circuit breaker tripped or a blown fuse.
Wine Center is not cold enough.	<ul style="list-style-type: none"> • Check the temperature control setting. • External environment may require a higher setting. • The door is opened too often. • The door is not closed completely. • The door gasket does not seal properly.
Turns on and off frequently.	<ul style="list-style-type: none"> • The room temperature is hotter than normal. • A large amount of contents has been added to the Wine Center. • The door is open too often. • The door is not closed completely. • The temperature control is not set correctly. The door gasket does not seal properly.
The light does not work.	<ul style="list-style-type: none"> • Not plugged in. • The circuit breaker tripped or a blown fuse. • The light switch is “OFF.”
Vibrations.	<ul style="list-style-type: none"> • Check to assure that the Wine Center is level.
The Wine Center seems to make too much noise.	<ul style="list-style-type: none"> • The rattling noise may come from the flow of the refrigerant, which is normal. As each cycle ends, you may hear gurgling sounds caused by the flow of refrigerant in your Wine Center. • Contraction and expansion of the inside walls may cause popping and cracking noises. • The Wine Center is not level.
The door will not close properly.	<ul style="list-style-type: none"> • The Wine Center is not level. • The door was reversed and not properly installed. • The gasket is dirty. • The shelves are out of position.
Display “EL” or “EH”.	<ul style="list-style-type: none"> • The air temperature sensor is failed. Contact Customer Support

Parts Listing

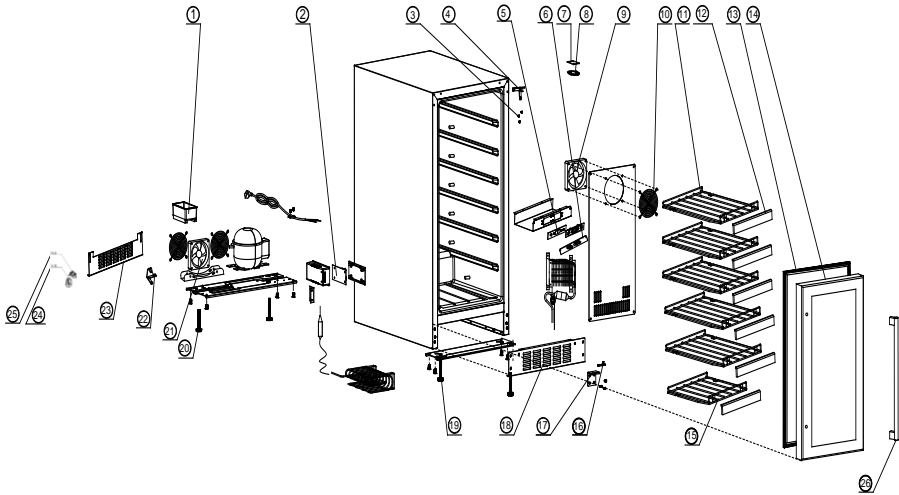
A115WC-O



Picture No.	Description	Part No.	Picture No.	Description	Part No.
1	Out water tray	3.02.01.0264	14	Black door	3.02.09.1615
2	Power PCB	3.02.05.0459C	15	Small shelf	3.02.02.0818
3	Door plug	3.02.01.0216	16	Hinge fixed	3.02.02.0103B
4	Right upper hinge	3.02.02.0972A	17	Lower hinge	3.02.08.0966A
5	Display PCB	3.02.05.0463M	18	Vent	3.02.08.0822
6	Temperature control sticker	3.02.03.A439	19	Front foot	3.02.01.0452
7	Light PCB	3.01.05.0072	20	Back foot	3.01.01.5446
8	Light PCB cover	3.01.01.0048A	21	Heating fan	3.02.05.0181
9	Cooling fan	3.02.05.0179A	22	Left upper hinge	3.02.02.0971A
10	Fan mask	3.02.02.0090	23	Extend vent	3.02.08.1828
11	Black shelf	3.02.02.0817	24	Compressor starter	3.02.06.0797
12	Wooden front	3.02.02.2150	25	Compressor protector	3.02.06.0796
13	Door seal	3.02.01.0305			

Parts Listing

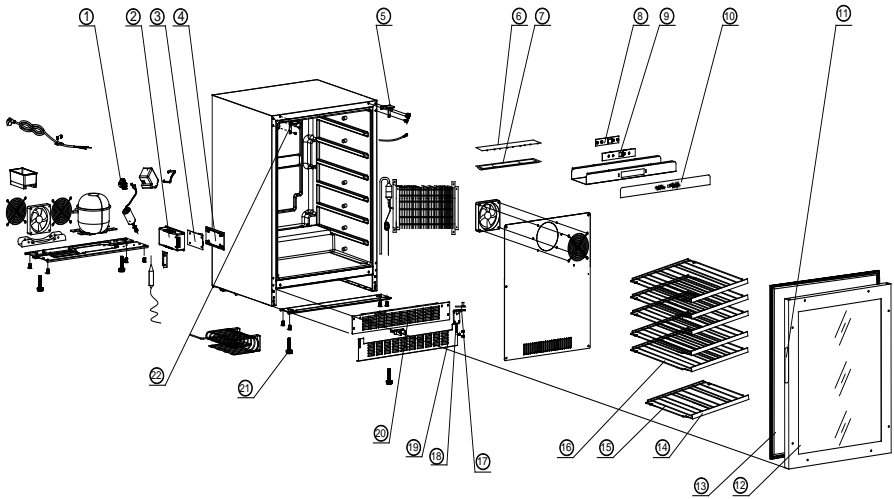
A115WC-S



Picture No.	Description	Part No.	Picture No.	Description	Part No.
1	Out water tray	3.02.01.0264	14	Stainless steel door	3.02.09.1616
2	Power PCB	3.02.05.0459C	15	Small shelf	3.02.02.0818
3	Door plug	3.02.01.0216	16	Hinge fixed	3.02.02.0103B
4	Right upper hinge	3.02.02.0397C	17	Lower hinge	3.02.08.0966A
5	Display PCB	3.02.05.0463M	18	Vent	3.02.08.0822
6	Temperature control sticker	3.02.03.A439	19	Front foot	3.02.01.0452
7	Light PCB	3.01.05.0072	20	Back foot	3.01.01.5446
8	Light PCB cover	3.01.01.0048A	21	Heating fan	3.02.05.0181
9	Cooling fan	3.02.05.0179A	22	Left upper hinge	3.02.02.0379C
10	Fan mask	3.02.02.0090	23	Extend vent	3.02.08.1828
11	Black shelf	3.02.02.0817	24	Compressor starter	3.02.06.0797
12	Wooden front	3.02.02.2150	25	Compressor protector	3.02.06.0796
13	Door seal	3.02.01.0305	26	Stainless steel door handle	3.02.02.0273A

Parts Listing

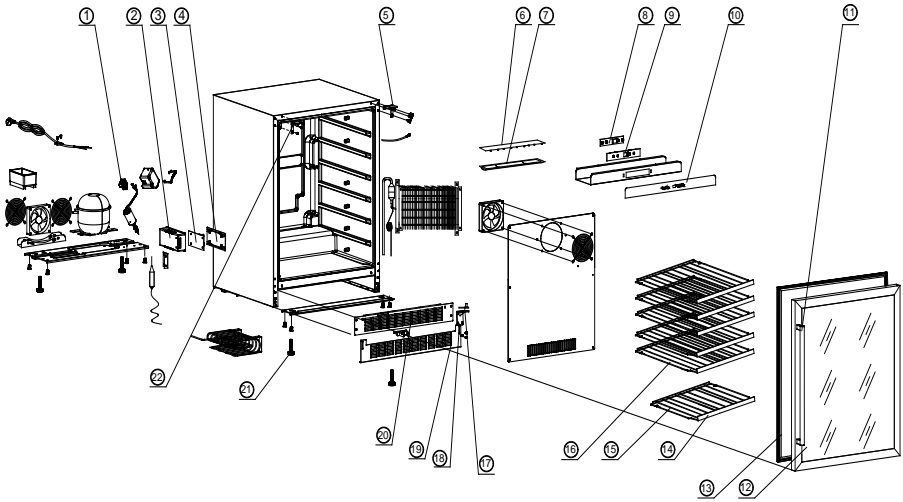
A124WC-O



Picture No.	Description	Part No.	Picture No.	Description	Part No.
1	Compressor relays	3.02.06.0854	12	Black glass door	3.02.09.1617
2	PCB Box	3.02.01.1460A	13	Door seal	3.02.01.0319
3	Power PCB	3.02.05.0459C	14	Wooden front	3.02.02.1535
4	PCB box Cover	3.02.02.0972A	15	Small wire shelf	3.02.02.0798
5	Right upper hinge	3.02.08.1820	16	Big wire shelf	3.02.02.0797
6	Light PCB	3.02.05.0465	17	Hinge fixed	3.02.02.1849A
7	Light PCB cover	3.02.01.0864A	18	Lower hinge	3.02.08.0966B
8	Display PCB	3.02.05.0463M	19	Extend vent	3.02.08.1830
9	Display PCB fixed	3.02.01.0236A	20	Vent	3.02.08.1836
10	Temperature control sticker	3.02.03.A238	21	Foot	3.02.01.0452
11	Recessed handle	3.01.08.0603	22	Left upper hinge	3.02.08.1823

Parts Listing

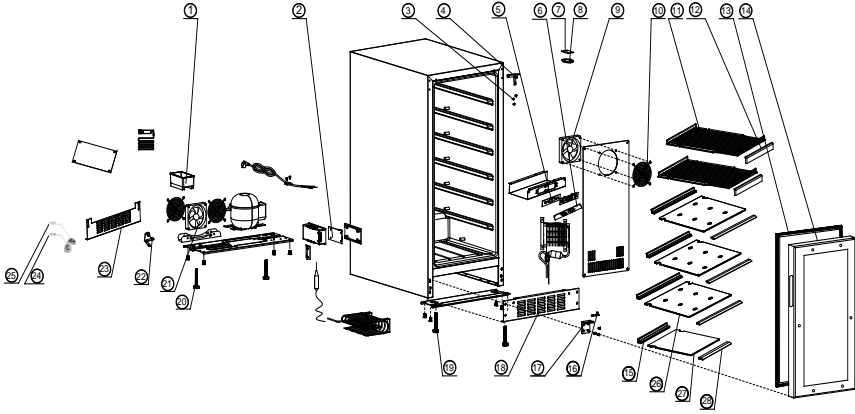
A124WC-S



Picture No.	Description	Part No.	Picture No.	Description	Part No.
1	Compressor relays	3.02.06.0854	12	Stainless steel door	3.02.09.1218
2	PCB Box	3.02.01.1460A	13	Door seal	3.02.01.0319
3	Power PCB	3.02.05.0459C	14	Wooden front	3.02.02.1535
4	PCB Box Cover	3.02.02.0972A	15	Small wire shelf	3.02.02.0798
5	Right upper hinge	3.02.02.0397C	16	Big wire shelf	3.02.02.0797
6	Light PCB	3.02.05.0465	17	Hinge fixed	3.02.02.1849A
7	Light PCB cover	3.02.01.0864A	18	Lower hinge	3.02.08.0966B
8	Display PCB	3.02.05.0463M	19	Extend vent	3.02.08.1830
9	Display PCB fixed	3.02.01.0236A	20	Vent	3.02.08.1836
10	Temperature control sticker	3.02.03.A238	21	Foot	3.02.01.0452
11	Stainless steel handle	3.02.02.0273A	22	Left upper hinge	3.02.08.1823

Parts Listing

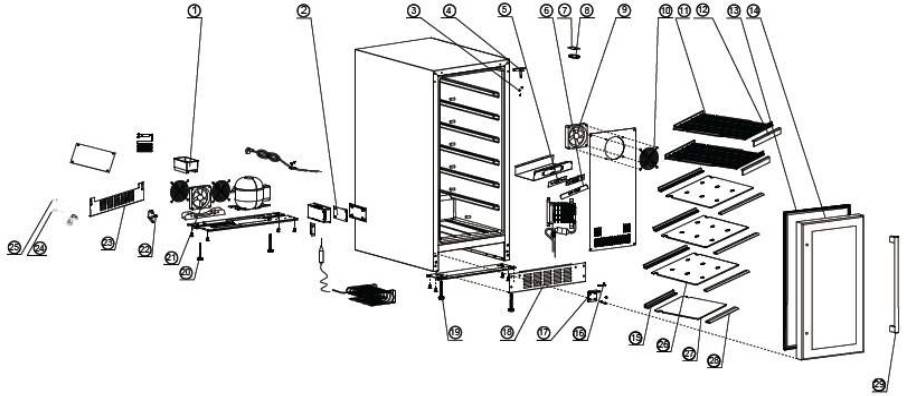
A115BEV-O



Picture No.	Description	Part No.	Picture No.	Description	Part No.
1	Out water tray	3.02.01.0264	15	Shelf back panel	3.02.01.2169
2	Power PCB	3.02.05.0460C	16	Hinge fixed	3.02.02.0103B
3	Door plug	3.02.01.0216	17	Lower hinge	3.02.08.0966A
4	Right upper hinge	3.02.02.0972A	18	Vent	3.02.08.0822
5	Display PCB	3.02.05.0569M	19	Front foot	3.02.01.0452
6	Temperature control sticker	3.02.03.A439	20	Back foot	3.01.01.5446
7	Light PCB	3.01.05.0072	21	Heating fan	3.02.05.0181
8	Light PCB cover	3.01.01.0048A	22	Left upper hinge	3.02.02.0971A
9	Cooling fan	3.02.05.0179A	23	Extend vent	3.02.08.1828
10	Fan mask	3.02.02.0090	24	Compressor starter	3.02.06.0797
11	Black shelf	3.02.02.2218	25	Compressor protector	3.02.06.0796
12	Wooden front	3.02.02.2217	26	Big Glass shelf	3.02.09.1657
13	Door seal	3.02.01.0305	27	Small Glass shelf	3.02.09.1658
14	Black door	3.02.09.1615	28	Shelf front panel	3.02.01.2168

Parts Listing

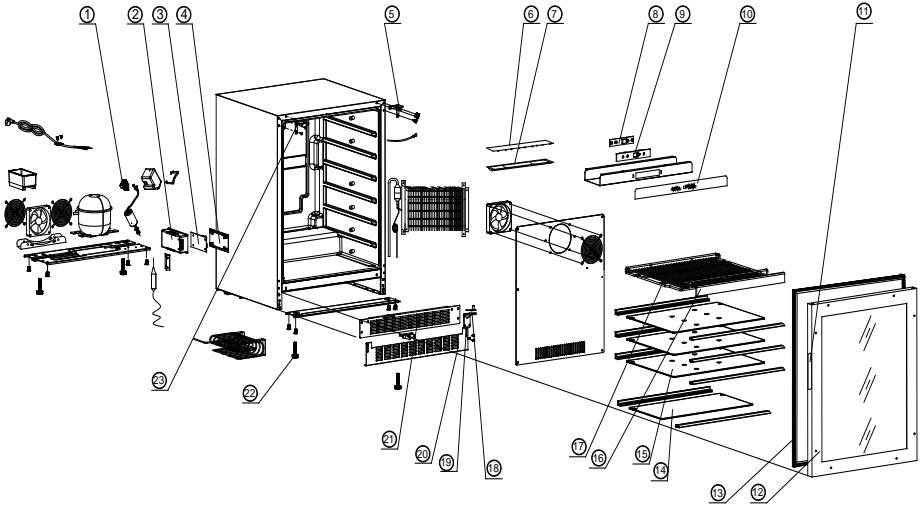
A115BEV-S



Picture No.	Description	Part No.	Picture No.	Description	Part No.
1	Out water tray	3.02.01.0264	16	Hinge fixed	3.02.02.0103B
2	Power PCB	3.02.05.0459C	17	Lower hinge	3.02.08.0966A
3	Door plug	3.02.01.0216	18	Vent	3.02.08.0822
4	Right upper hinge	3.02.02.0397C	19	Front foot	3.02.01.0452
5	Display PCB	3.02.05.0463M	20	Back foot	3.01.01.5446
6	Temperature control sticker	3.02.03.A439	21	Heating fan	3.02.05.0181
7	Light PCB	3.01.05.0072	22	Left upper hinge	3.02.02.0379C
8	Light PCB cover	3.01.01.0048A	23	Extend vent	3.02.08.1828
9	Cooling fan	3.02.05.0179A	24	Compressor starter	3.02.06.0797
10	Fan mask	3.02.02.0090	25	Compressor protector	3.02.06.0796
11	Black shelf	3.02.02.0817	26	Big Glass shelf	3.02.09.1657
12	Wooden front	3.02.02.2150	27	Small Glass shelf	3.02.09.1658
13	Door seal	3.02.01.0305	28	Shelf front panel	3.02.01.2168
14	Stainless steel door	3.02.09.1616	29	Stainless steel door handle	3.02.02.0273A
15	Shelf back panel	3.02.01.2169			

Parts Listing

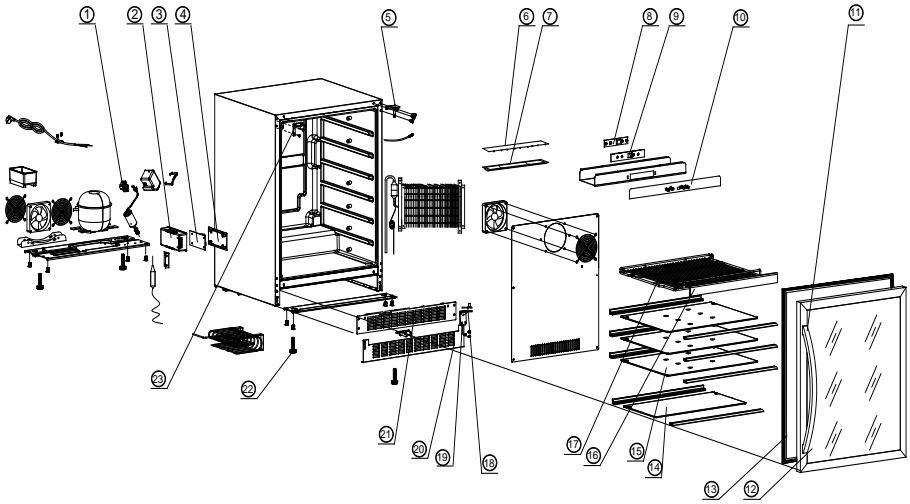
A124BEV-O



Picture No.	Description	Part No.	Picture No.	Description	Part No.
1	Compressor relays	3.02.06.0854	13	Door seal	3.02.01.0319
2	PCB Box	3.02.01.1460A	14	Small glass shelf	3.02.09.1697
3	Power PCB	3.02.05.0459C	15	Big glass shelf	3.02.09.1696
4	PCB box Cover	3.02.02.0972A	16	Wooden front	3.02.02.1535
5	Right upper hinge	3.02.08.1820	17	Black wire shelf	3.02.02.0797
6	Light PCB	3.02.05.0465	18	Hinge fixed	3.02.02.1849A
7	Light PCB cover	3.02.01.0864A	19	Lower hinge	3.02.08.0966B
8	Display PCB	3.02.05.1020	20	Extend vent	3.02.08.1830
9	Display PCB fixed	3.02.01.0236A	21	Vent	3.02.08.1836
10	Temperature control sticker	3.02.03.A238	22	Foot	3.02.01.0452
11	Recessed handle	3.01.08.0603	23	Left upper hinge	3.02.08.1823
12	Black glass door	3.02.09.1617			

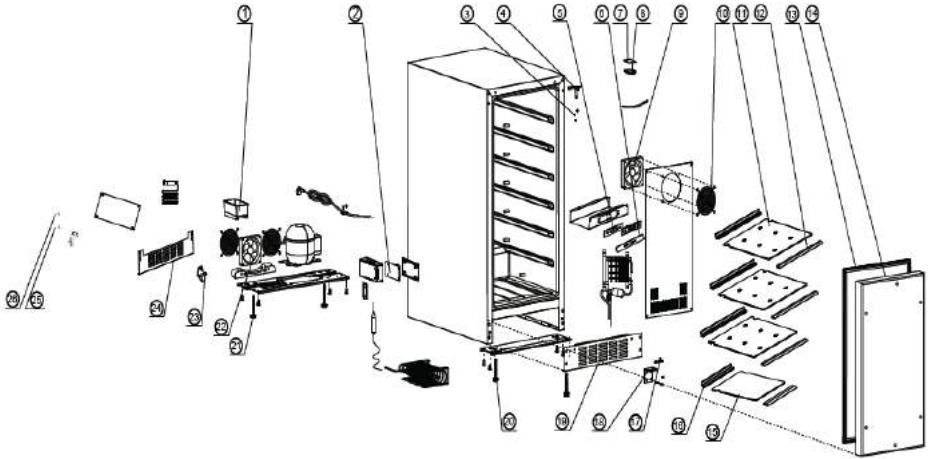
Parts Listing

A124BEV-S



Picture No.	Description	Part No.	Picture No.	Description	Part No.
1	Compressor relays	3.02.06.0854	13	Door seal	3.02.01.0319
2	PCB Box	3.02.01.1460A	14	Small glass shelf	3.02.09.1697
3	Power PCB	3.02.05.0459C	15	Big glass shelf	3.02.09.1696
4	PCB box Cover	3.02.02.0972A	16	Wooden front	3.02.02.1535
5	Right upper hinge	3.02.08.1820	17	Black wire shelf	3.02.02.0797
6	Light PCB	3.02.05.0465	18	Hinge fixed	3.02.02.1849A
7	Light PCB cover	3.02.01.0864A	19	Lower hinge	3.02.08.0966B
8	Display PCB	3.02.05.1020	20	Extend vent	3.02.08.1830
9	Display PCB fixed	3.02.01.0236A	21	Vent	3.02.08.1836
10	Temperature control sticker	3.02.03.A238	22	Foot	3.02.01.0452
11	Stainless steel handle	3.02.02.0273A	23	Left upper hinge	3.02.08.1823
12	Stainless steel door	3.02.09.1218			

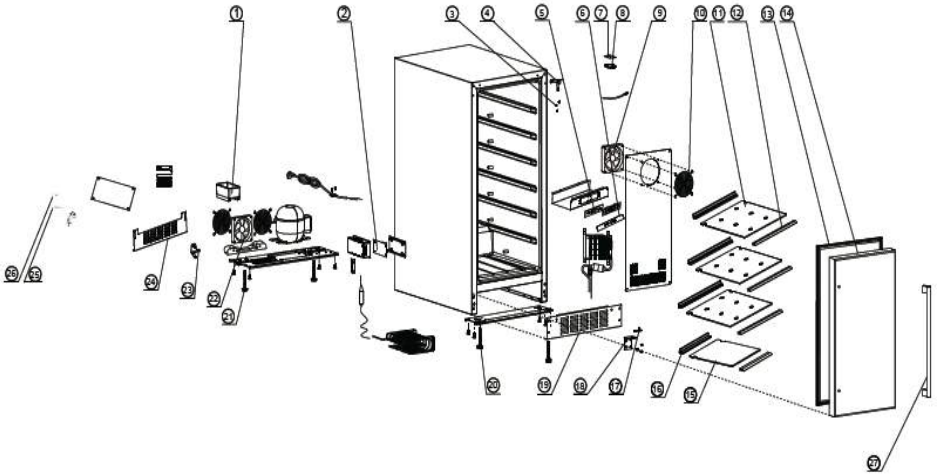
A115R-O



Picture No.	Description	Part No.	Picture No.	Description	Part No.
1	Out water tray	3.02.01.0264	14	Black door	2.02.05.0382
2	Power PCB	3.02.05.0460C	15	Small Glass shelf	3.02.09.1658
3	Door plug	3.02.01.0216	16	Shelf back panel	3.02.01.2169
4	Right upper hinge	3.02.02.0972A	17	Hinge fixed	3.02.02.0103B
5	Display PCB	3.02.05.0569M	18	Lower hinge	3.02.08.0966A
6	Temperature control sticker	3.02.03.A439	19	Vent	3.02.08.0822
7	Light PCB	3.01.05.0072	20	Front foot	3.02.01.0452
8	Light PCB cover	3.01.01.0048A	21	Back foot	3.01.01.5446
9	Cooling fan	3.02.05.0179A	22	Heating fan	3.02.05.0181
10	Fan mask	3.02.02.0090	23	Left upper hinge	3.02.02.0971A
11	Big Glass shelf	3.02.09.1657	24	Extend vent	3.02.08.1828
12	Shelf front panel	3.02.01.2168	25	Compressor starter	3.02.06.0797
13	Door seal	3.02.01.0305	26	Compressor protector	3.02.06.0796

Parts Listing

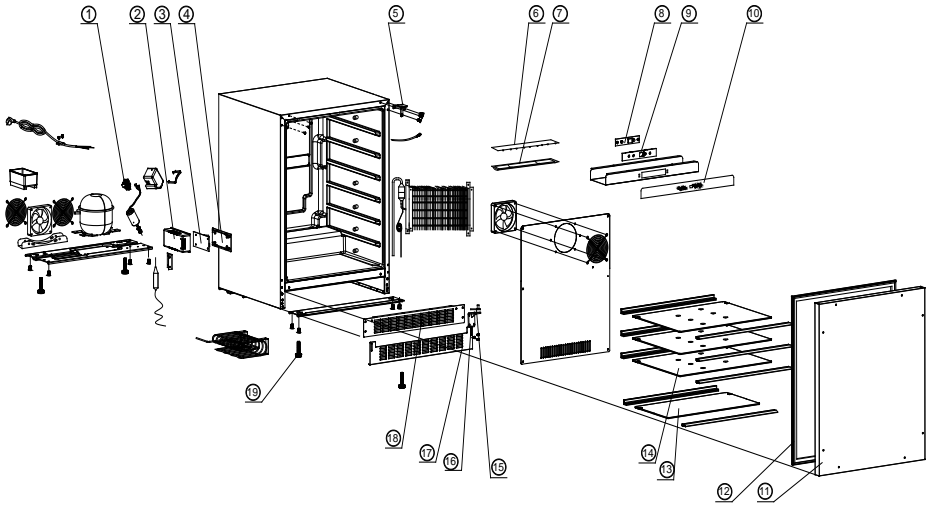
A115R-S



Picture No.	Description	Part No.	Picture No.	Description	Part No.
1	Out water tray	3.02.01.0264	15	Small Glass shelf	3.02.09.1658
2	Power PCB	3.02.05.0460C	16	Shelf back panel	3.02.01.2169
3	Door plug	3.02.01.0216	17	Hinge fixed	3.02.02.0103B
4	Right upper hinge	3.02.02.0972A	18	Lower hinge	3.02.08.0966A
5	Display PCB	3.02.05.0569M	19	Vent	3.02.08.0822
6	Temperature control sticker	3.02.03.A439	20	Front foot	3.02.01.0452
7	Light PCB	3.01.05.0072	21	Back foot	3.01.01.5446
8	Light PCB cover	3.01.01.0048A	22	Heating fan	3.02.05.0181
9	Cooling fan	3.02.05.0179A	23	Left upper hinge	3.02.02.0971A
10	Fan mask	3.02.02.0090	24	Extend vent	3.02.08.1828
11	Big Glass shelf	3.02.09.1657	25	Compressor starter	3.02.06.0797
12	Shelf front panel	3.02.01.2168	26	Compressor protector	3.02.06.0796
13	Door seal	3.02.01.0305	27	Stainless steel door handle	3.02.02.0273A
14	Stainless steel door	2.02.05.0383			

Parts Listing

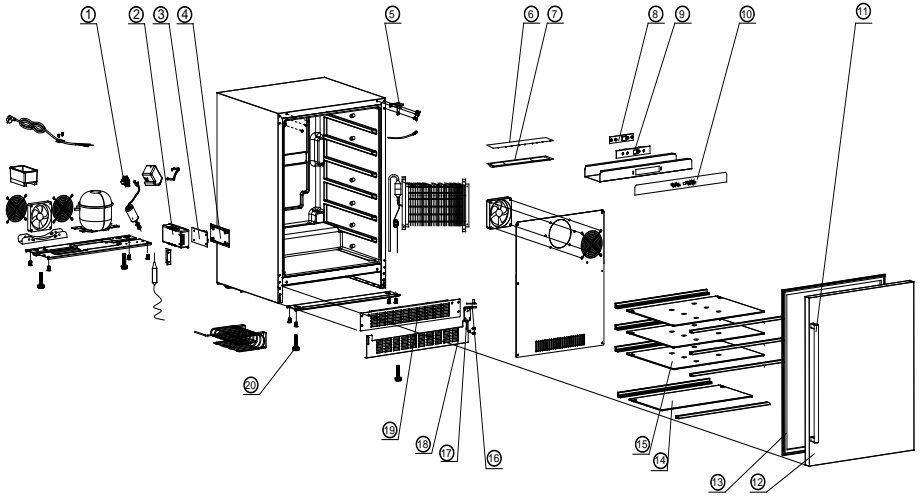
A124R-O



Picture No.	Description	Part No.	Picture No.	Description	Part No.
1	Compressor relays	3.02.06.0854	11	Black door	2.02.05.0384
2	PCB Box	3.02.01.1460A	12	Door seal	3.02.01.0319
3	Power PCB	3.02.05.0459C	13	Small glass shelf	3.02.09.1697
4	PCB box Cover	3.02.02.0972A	14	Big glass shelf	3.02.09.1696
5	Right upper hinge	3.02.08.1820	15	Hinge fixed	3.02.02.1849A
6	Light PCB	3.02.05.0465	16	Lower hinge	3.02.08.0966B
7	Light PCB cover	3.02.01.0864A	17	Extend vent	3.02.08.1830
8	Display PCB	3.02.05.1020	18	Vent	3.02.08.1836
9	Display PCB fixed	3.02.01.0236A	19	Foot	3.02.01.0452
10	Temperature control sticker	3.02.03.A238			

Parts Listing

A124R-S



Picture No.	Description	Part No.	Picture No.	Description	Part No.
1	Compressor relays	3.02.06.0854	11	Stainless steel handle	3.02.02.0273A
2	PCB Box	3.02.01.1460A	12	Stainless steel door	2.02.05.0380
3	Power PCB	3.02.05.0459C	13	Door seal	3.02.01.0319
4	PCB box Cover	3.02.02.0972A	14	Small glass shelf	3.02.09.1697
5	Right upper hinge	3.02.08.1820	15	Big glass shelf	3.02.09.1696
6	Light PCB	3.02.05.0465	16	Hinge fixed	3.02.02.1849A
7	Light PCB cover	3.02.01.0864A	17	Lower hinge	3.02.08.0966B
8	Display PCB	3.02.05.1020	18	Extend vent	3.02.08.1830
9	Display PCB fixed	3.02.01.0236A	19	Vent	3.02.08.1836
10	Temperature control sticker	3.02.03.A238	20	Foot	3.02.01.0452