

**TempSpike Plus**  
By **ThermoPro**



According to the operating system of your mobile, scan the following QR code to download and install.

iOS



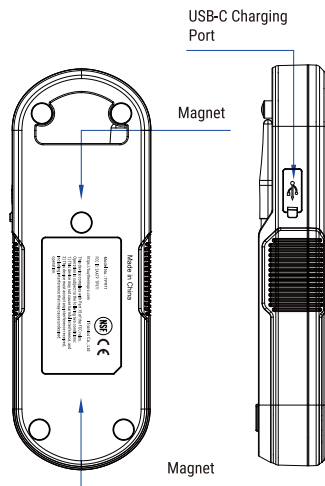
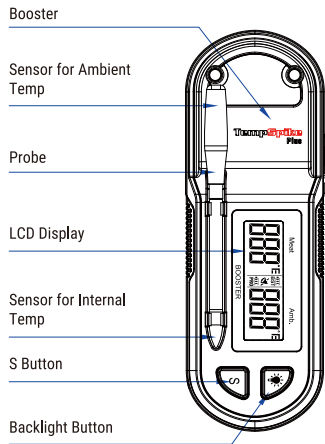
Android



**1. Introduction**

Congratulations on your purchase of the enhanced version of the Smart, Truly Wireless Bluetooth-connected Cooking Thermometer with Display: TempSpike Plus. You will now be able to remotely monitor the internal meat temperature and ambient temperature simultaneously and how much time is left to be done from your smart device.

**2. Features**



- 1. Booster:** Receives the temperature signal from the probe and booster and transmits it to the smart device. It also serves as a power source to charge the probe.
- 2. Probe:** Inserted into meat and measures the internal temperature and ambient temperature simultaneously, IP67 waterproof.
- 3. S button:** Serves four functions:
  - a. Press once to turn on the Booster.
  - b. When the Booster sounds an alarm, press the **S** button to silence the alarm.
  - c. Press and hold for 3 seconds to pair the booster and the probe.
  - d. Take out the probe, press and hold the **S** button for 10 seconds to reset the booster if for any reason your booster can't be connected to your smart device or the temperatures of probe do not show on the LCD screen or your smart device.

Please note that the booster and the probe are pre-paired via Bluetooth at our manufacturing facility. Generally, you will not need to pair them.

- 4. \* button:** Press to turn on/off the backlight.
- 5. LCD Display:** Shows the temperatures measured by the probes and battery power levels.
  - When the icon shows, the booster alarm function is turned on;
  - When the icon shows, the booster alarm function is turned off.

- 6. Auto Off:** When the probe is placed in

the Booster for charging, the Booster will be automatically turned off after 5 minutes and the display will only show the charging status. When the probe is fully charged, the display will be turned off as well.

- 7. Magnet:** Two strong built-in magnets allow you to attach the booster onto your grill, oven, smoker or any other metal surfaces.
- 8. USB-C Charging Port:** Can be connected to any USB charger via a charging cable enclosed to charge the booster.

**3. Components**

- 1 x Probe
- 1 x Booster
- 1 x USB-C Charging Cable
- 1 x Quick Start Guide

**4. Usage**

**Follow the simple steps below to set up your TempSpike Plus and help you Cook Like a Pro!**

**Step 1:** Download and install the "ThermoPro" App.

Scan the QR code above, or search for "ThermoPro" on the Apple Store for iOS devices or on the Google Play Store for Android devices. Download the App and install it on your smart device.

**Step 2:** Enable Bluetooth on your smart device under the Settings section. If your smart device already has Bluetooth enabled, you can skip this step.

**Step 3:** Fully charge the booster and the probe.

Connect the USB charging cable provided

to any USB charger to charge the booster. The LCD display on the booster shows the battery charging status for the booster and the probe.

**Step 4:** Pair the probe to the booster

The booster and the probe is pre-paired via Bluetooth at our manufacturing facility. Removing the probe from the booster, you will see the temperature measured by this probe appear on the LCD display.

**If for any reason you need to re-pair them or you have a new probe or a booster to be paired, please follow the below steps:**

- 1) Remove the probe from the booster.
- 2) Press and hold the **S** button until you see the temperature reading show on the LCD display, which indicates that this probe is paired with the booster. Once they are paired, you do not need to pair them again for future uses.

**Step 5:** Pair the booster to your smart device

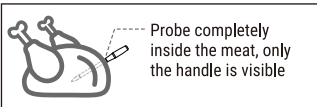
- 1) Turn on the booster by pressing **S** button or take the probe from the booster.
- 2) Launch the ThermoPro APP and press on the top right corner of the APP to scan the QR code located on the back of the Booster. Follow the steps in the APP and the device will be added to the ThermoPro APP and connect to ThermoPro cloud.

**Or**  
Press and a list of ThermoPro devices will appear and select "TempSpike Pro" from the list. Follow the steps in the APP and the device will be added to the ThermoPro APP and connect to ThermoPro cloud. Now your TempSpike Plus is ready for use. You don't need to pair them again for future uses.



### Step 6: Start cooking

- 1) Insert your probe into the meat deeply enough so only the handle of the probe is visible.



- 2) Set your desired meat temperature or select the meat type and doneness you desire within the ThermoPro App and/or set the highest/lowest ambient temperatures you prefer.
- 3) Once the current temperature reaches your target temperature, an alarm will sound from the App and/or the booster.

### Caution

1. There are sophisticated and delicate electronics within the probes. To avoid extremely high heat which could damage the electronics, please ensure to always insert the probe deeply enough into the meat so only the handle of the probe is visible.
2. Do NOT use TempSpike in the microwave.
3. The connection range between the probe and the booster usually can go as far as 460 feet or 140 meters in an open area, it can be dramatically reduced to as short as 14 feet (4 meters) when the probe is inserted into the meat and then the metal cooking appliance is closed. Therefore, we strongly suggest placing the booster as close as possible to the probe when it is inserted in the meat, such as resting directly outside the cooking appliance and always pay attention whether the connection

- between the probe and the booster is lost. When this occurs, please move the booster closer to the probe.
4. Always wear glove to remove the probe from the meat when you finish cooking.
  5. Use a kitchen towel or rag to wipe and clean the probe after each use. You may rinse the probe and use dishwasher to wash it as well.
  6. After cleaning the probe, always place the probe in the booster for charging and storage.

### \* WARNING FOR ARTIFICIAL CARDIAC PACEMAKER USERS

**Please be aware that a magnet installed inside the booster may impact the functionality of your artificial cardiac pacemaker. If you have a pacemaker, we recommend always staying up to 1 foot or 0.3 meter away from the booster.**

### 5. FCC Statement of Compliance

This device complies with Part 15 of the FCC rules. Operation is subject to the following two conditions:

- 1) This device may not cause harmful interference, and
- 2) This device must accept any interference received, including interference that may cause undesired operation.

**Warning:** Changes or modifications to this unit not expressly approved by the party responsible for compliance could void the user's authority to operate the equipment.

**NOTE:** This equipment has been tested and found to comply with the limits for a Class B digital device, pursuant to Part 15 of the FCC rules. These limits are designed to provide reasonable protection against harmful interference in a residential installation. This equipment generates,

uses and can radiate radio frequency energy and, if not installed and used in accordance with the instructions, may cause harmful interference to radio communications. However, there is no guarantee that interference will not occur in a particular installation. If this equipment does cause harmful interference to radio or television reception, which can be determined by turning the equipment off and on, the user is encouraged to try to correct the interference by one of more of the following measures:

- Reorient or relocate the receiving antenna.
- Increase the separation between the equipment and the receiver.
- Connect the equipment into an outlet on a circuit different from that to which the receiver is connected. Consult the dealer or an experienced radio/TV technician for help.

### 6. Declaration of Conformity

Hereby, the manufacturer declares that this product with the basic requirements and applicable regulations of the Radio Equipment Directive 2014/53/EU, the EMC Directive 2014/30/EU. The complete declaration of conformity can be found at: <https://buythermopro.com/eu-declaration-of-conformity/>.

### 7. Disposal of the Electronic Appliance



This electronic appliance should not be disposed of with normal household waste.

Dispose of the unit at an approved facility or at your

local recycling center. Please observe the current rules and regulations when disposing of the appliance. Contact your local council if in doubt.

### 8. Limited One-Year Warranty

TempSpike warrants this product to be free of defects in parts, materials and workmanship for a period of one year, from date of purchase.

Should any repairs or servicing under this warranty be required, contact Customer Service by phone or email for instructions on how to pack and ship the product to TempSpike.

This warranty gives you specific legal rights and you may also have other rights which vary from state to state.

### 9. Customer Service

Telephone: 1-877-515-7797

(USA & Canada)  
49-215-493-19011(DE)  
44-808-164-1683(UK)  
61-180-057-7492(AU)

Email: [service@buythermopro.com](mailto:service@buythermopro.com)

Hours: Weekdays 8:00 AM- 8:00 PM EST

### Specification

Temperature Range:

Internal Temperature 14°F to 212°F (-10°C to 100°C)

Ambient Temperature 14°F to 572°F (-10°C to 300°C)

Tolerance

Internal Meat ±0.5°F (±0.1°C)

Ambient ±1.8°F (±1.0°C) from 14°F to 212°F (-10°C to 100°C), otherwise ±2%

Sensor Type Digital Temperature Sensor for internal meat and NTC for ambient

Battery Life:

Probe 36 hours or more

Booster 3 months or more

Display LCD, 1 <sup>7</sup>/<sub>8</sub> Length x <sup>2</sup>/<sub>3</sub> Width inches (48.0L x 16.0W mm)

Wireless Technology Bluetooth 5.2

Unit Size:

Probe  $\phi \frac{1}{5}$  Diameter x  $4 \frac{1}{6}$  Length inches ( $\phi 5.4D \times 106.0L$  mm)

Booster  $6 \frac{1}{3}$  Length x  $2 \frac{1}{5}$  Width x 1 Height inches (161.0L x 55.5W x 25.8H mm)

Power:

Probe 2.4V (Built-in lithium rechargeable battery)

Booster 3.7V (Built-in lithium rechargeable battery)

\* The stated transmission range is based on tests at an ambient temperature of 77°F or 25°C without any obstructions or electromagnetic interference. Your range can vary depending on the number of obstructions and electromagnetic in your environment.