

VEVOR[®]

TOUGH TOOLS, HALF PRICE

Technical Support and E-Warranty Certificate www.vevor.com/support

A-Frame Swing Set

S026

We continue to be committed to provide you tools with competitive price. "Save Half", "Half Price" or any other similar expressions used by us only represents an estimate of savings you might benefit from buying certain tools with us compared to the major top brands and does not necessarily mean to cover all categories of tools offered by us. You are kindly reminded to verify carefully when you are placing an order with us if you are actually saving half in comparison with the top major brands.

VEVOR[®]

TOUGH TOOLS, HALF PRICE

A-Frame Swing Set



MODEL: S026

NEED HELP? CONTACT US!

Have product questions? Need technical support? Please feel free to contact us:

Technical Support and E-Warranty Certificate
www.vevor.com/support

This is the original instruction, please read all manual instructions carefully before operating. VEVOR reserves a clear interpretation of our user manual. The appearance of the product shall be subject to the product you received. Please forgive us that we won't inform you again if there are any technology or software updates on our product.

INSTRUCTIONS

Thank you very much for choosing this A-Frame Swing Set.

- Please read all of the instructions before using it. The information will help you achieve the best possible results.

The products carried in this catalog may be different in color than the actual item.

IMPORTANT SAFETY INSTRUCTIONS



READ ALL INSTRUCTIONS
BEFORE USE AND SAVE
FOR FUTURE REFERENCE



This swing set is intended for use by children age from 3 to 12 years old. Not suitable for children under 3 years old.



On site adult supervision must be provided for children of all ages and at all times.

SAFE PLAY AREA

- **DO NOT** install the swing set over concrete, asphalt, or any other hard surface. A fall onto a hard surface can result in serious injury. Install on an unpaved steady surface, such as grass or a solid layer of sand.
- **DO NOT** install the swing set on sloping ground. This leaning puts additional stress on all connections and joints and further causes those connections to loosen and fail.
- The safe play area refers to a zone extending 6 ft. (200 cm) beyond the swing set on all sides. Install the ground cover in the safe play zone.
- Remove all tripping hazards such as rocks, stumps, roots etc. from the safe play area.
- The safe play area must be free of all structures, fences, garage, house, overhanging branches, laundry lines, electrical wires and other obstacles to ensure safe play.
- Children should stay out of the work area until the safe play area is cleared of obstacles, the swing set has been completely installed, all hardware has been tightened and checked, and all tools have been picked up.

SAFE PLAY

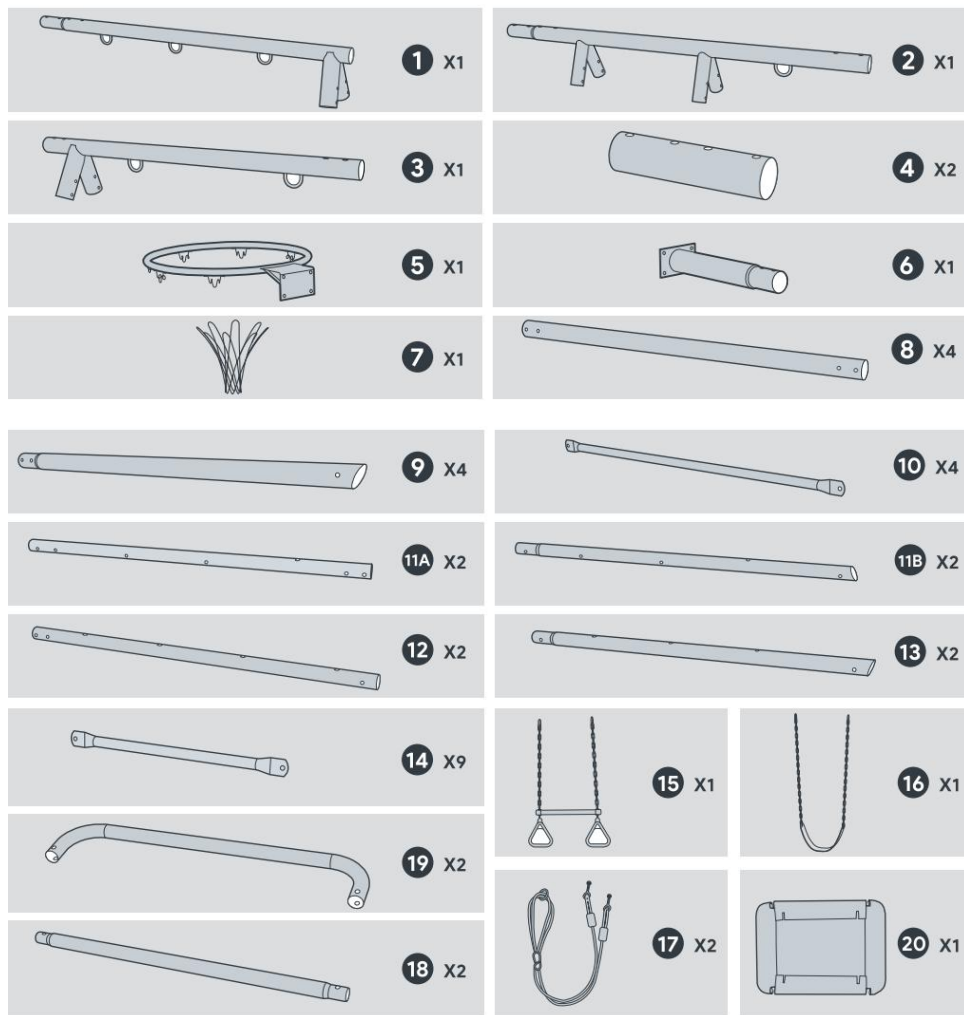
- Teach your children to play safely.
- Dress children appropriately. Avoid accessories, clothing with drawstrings, loose fitting clothes and stringed items placed around the neck, which could become entangled or snagged on equipment. Dress with well fitting and full foot enclosing footwear. Also bike helmets should be taken off before playing on the swing set.
- **DO NOT** use the swing set in any other manner than the way intended.
- **DO NOT** play upon wet weather conditions because of potentially slippery surfaces.
- **DO NOT** twist swing chains or ropes or loop them over the top support bar as this may reduce the strength of the chain or rope.
- **DO NOT** attach extra items to the swing set that is not specifically designed for use with the swing set, including (but not limited to) clothes lines, electrical devices, loose ropes or chains etc.

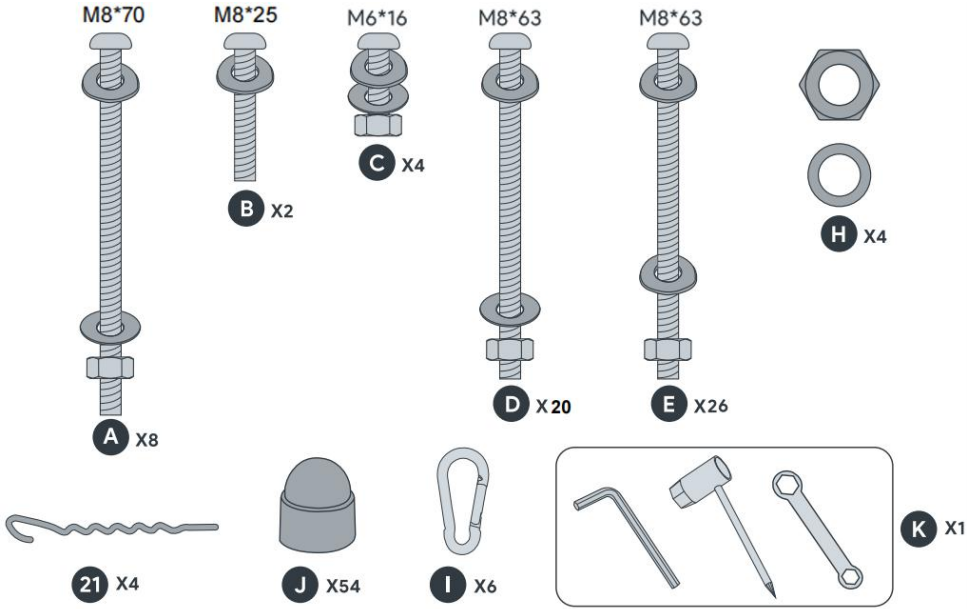
- Caution children **NOT** to:
 - Jump off the swing while it is in motion
 - Swing an empty seat swing at an angle
 - Hang upside down from any part of the gym set
 - Grasp or stop another child on any moving equipment
 - Walk close to, in front of, between or behind moving items
- Caution children to sit in the centre of the swing with their full weight on the seat.
- Make sure that climbing ropes or chains are secured at both ends and cannot be looped back on itself.
- All components may become hot when exposed to direct sunlight. Make sure the swing set is not hot before allowing children to play.

SAVE THESE INSTRUCTIONS

Assembly and Use

Swing Set Parts

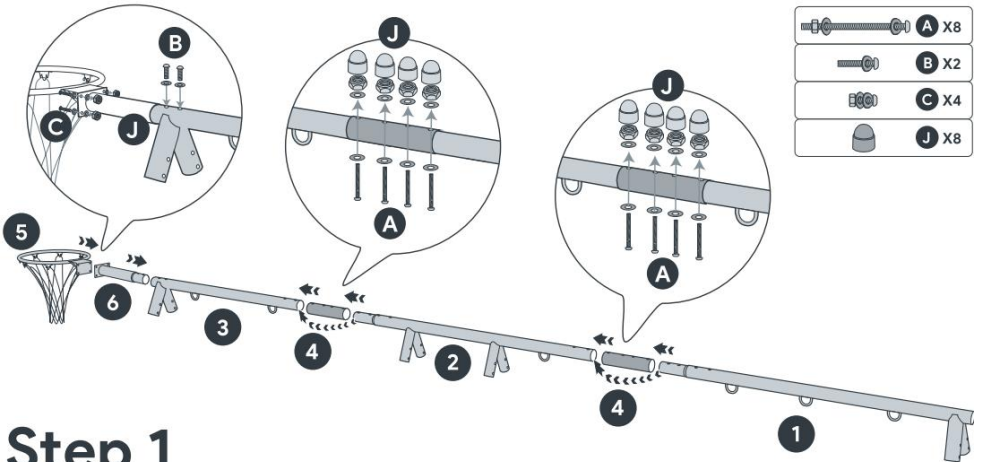




ASSEMBLING SWING SET



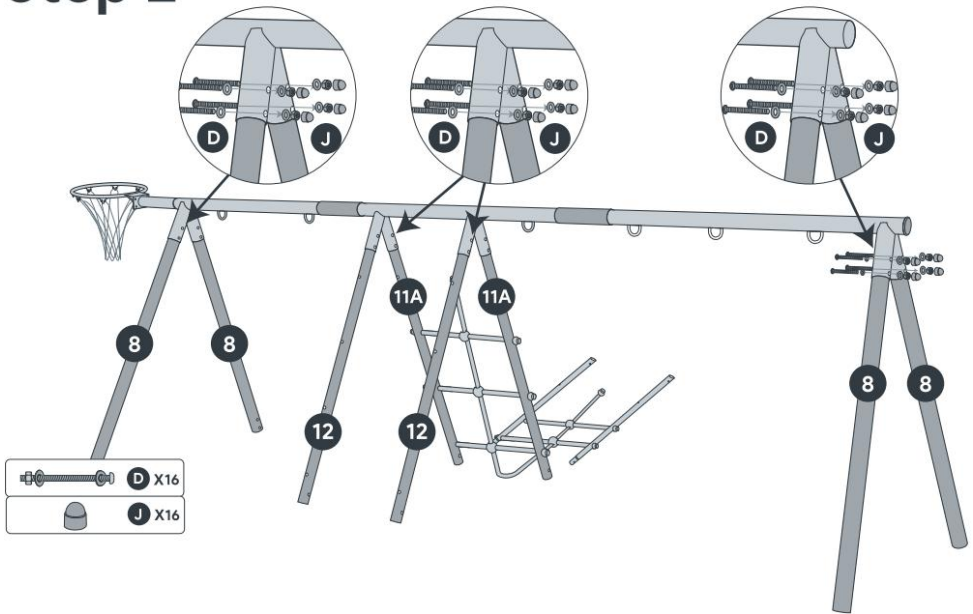
Slightly tighten all parts during assembling and firmly secure after all parts are installed.



Step1

1. Install the hoop onto tube 6, lock it with screw C, and place the J head guard on the nut.
2. Connect tube 6 and tube 3 and lock them with screw B.
3. Connect pipes 3, 4, and 2, lock them with screw A, and place the J head guard on the nut.
4. Connect pipes 2, 4, and 1, lock them with screw A, and place the J head guard on the nut.

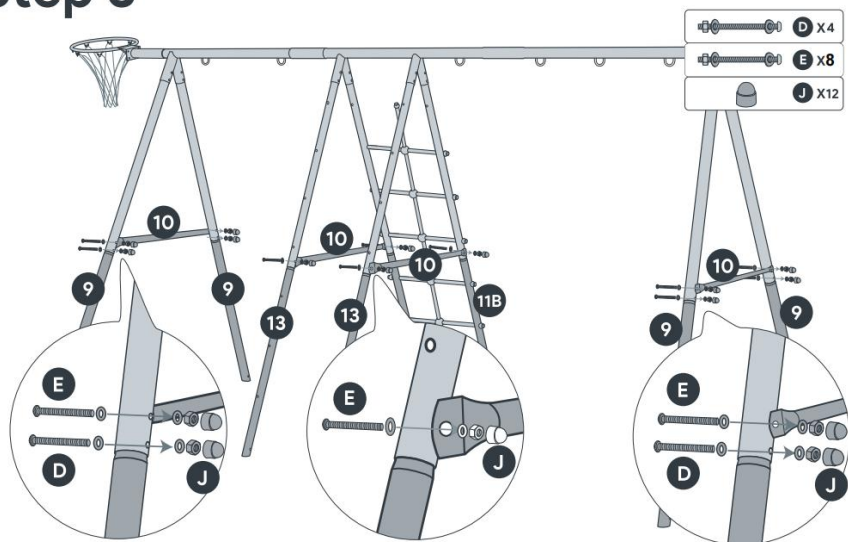
Step 2



Step2

Install the upper support pipes 8, 11A, and 12 onto the main pole as shown in the diagram, fix and lock them with screws D, and cover the head guard J on the nut.

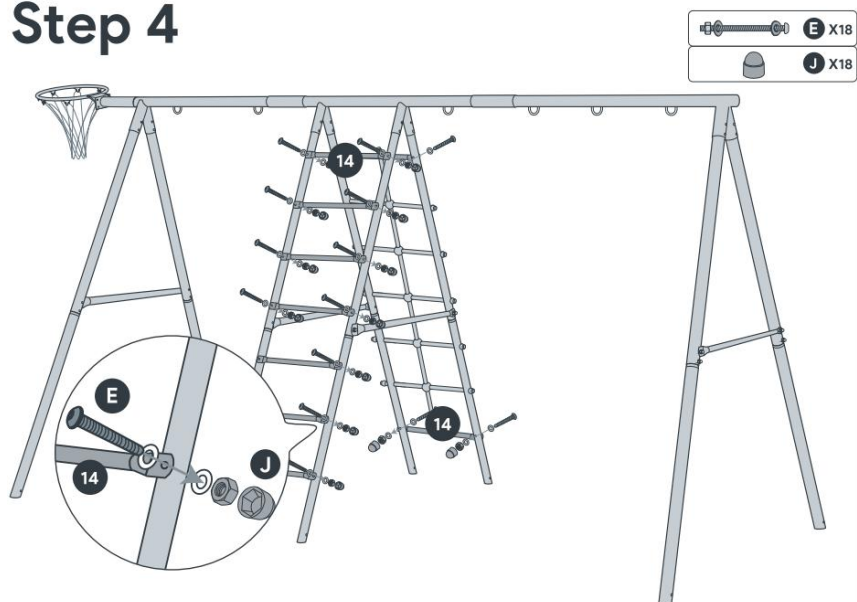
Step 3



Step3

Install and connect the lower support pipes 9 and 13 to the upper support pipes, and fix the support connection pipes 10 with E screws and D screws as shown in the figure. Cover the head guard J on the nut.

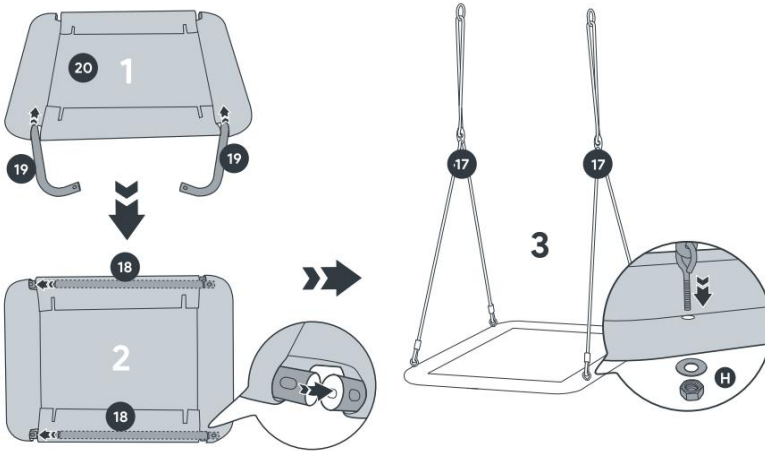
Step 4



Step4

As shown in the figure, fix the ladder connecting rod to the ladder support rod with E screws and cover it with a head guard J on the nut.

Step 5



Step5

First, insert bend pipe 19 into the suspension chair cover, then insert straight pipe 18 and connect pipes 18 and 19. Secure and lock them with H screws.

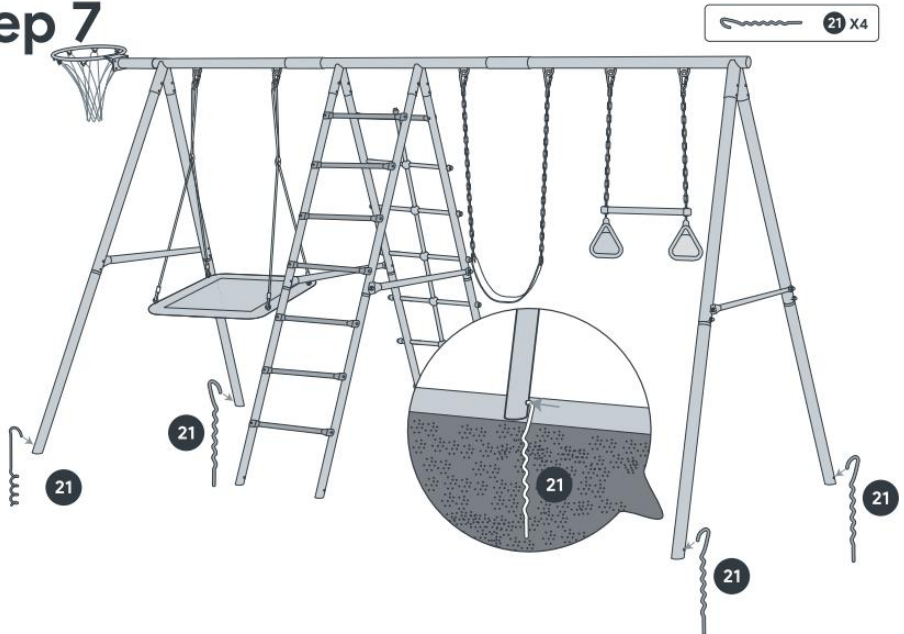
Step 6



Step6

Use the mountaineering buckle “1” to connect the hanging chair, swing seat, and suspension ring to the main swing pole.

Step 7



Step7

Fix the swing in the soil with the ground hook 21.

MAINTENANCE

- Check the poles, handles and screw connections regularly for cracks, damage and material fatigue. If you discover any damage, the scaffolding must not be used. Please contact your seller to replace the damaged items with new ones. Use only original replacement elements!
- Never use aggressive cleaning agents for cleaning!

Disposal

The product packaging consists of recyclable materials. Dispose of them in an environmentally friendly manner and in the collection containers provided.

Manufacturer: FUJIAN KANGLAIBAO CO., LTD.

Address: NO.1, INDUSTRIAL 6TH-ROAD, INDUSTRIAL AREA, LIAN CHENG COUNTY, LONGYAN CITY, FUJIAN PROVINCE, CHINA

Imported to AUS: SIHAO PTY LTD. 1 ROKEVA STREET EASTWOOD NSW 2122 Australia

Imported to USA: Sanven Technology Ltd. Suite 250, 9166 Anaheim Place, Rancho Cucamonga, CA 91730

EC	REP
-----------	------------

E-CrossStu GmbH
Mainzer Landstr.69, 60329
Frankfurt am Main.

UK	REP
-----------	------------

YH CONSULTING LIMITED.
C/O YH Consulting Limited Office 147,
Centurion House, London Road,
Staines-upon-Thames, Surrey, TW18 4AX

VEVOR[®]

TOUGH TOOLS, HALF PRICE

Technical Support and E-Warranty Certificate

www.vevor.com/support

VEVOR[®]

TOUGH TOOLS, HALF PRICE

Supporto tecnico e certificato di garanzia elettronica www.vevor.com/support

Set altalena con telaio ad A S026

We continue to be committed to provide you tools with competitive price. "Save Half", "Half Price" or any other similar expressions used by us only represents an estimate of savings you might benefit from buying certain tools with us compared to the major top brands and does not necessarily mean to cover all categories of tools offered by us. You are kindly reminded to verify carefully when you are placing an order with us if you are actually saving half in comparison with the top major brands.

VEVOR[®]

TOUGH TOOLS, HALF PRICE

A-Frame Swing Set



MODELLO: S026

NEED HELP? CONTACT US!

Have product questions? Need technical support? Please feel free to contact us:

Technical Support and E-Warranty Certificate
www.vevor.com/support

This is the original instruction, please read all manual instructions carefully before operating. VEVOR reserves a clear interpretation of our user manual. The appearance of the product shall be subject to the product you received. Please forgive us that we won't inform you again if there are any technology or software updates on our product.

ISTRUZIONI

Grazie mille per aver scelto questo set altalena A-Frame .

- Si prega di leggere tutte le istruzioni prima di utilizzarlo. Le informazioni ti aiuteranno a ottenere i migliori risultati possibili.

I prodotti presenti in questo catalogo potrebbero differire nel colore rispetto all'articolo reale.

IMPORTANTI ISTRUZIONI DI SICUREZZA



READ ALL INSTRUCTIONS
BEFORE USE AND SAVE
FOR FUTURE REFERENCE



This swing set is intended for use by children age from 3 to 12 years old. Not suitable for children under 3 years old.



On site adult supervision must be provided for children of all ages and at all times.

AREA GIOCO SICURA

- **NON** installare l'altalena su cemento, asfalto o qualsiasi altra superficie dura. Una caduta su una superficie dura può provocare lesioni gravi. Installare su una superficie stabile non pavimentata, come erba o uno strato solido di sabbia.
- **NON** installare l'altalena su un terreno in pendenza. Questa inclinazione esercita ulteriore stress su tutti i collegamenti e i giunti e provoca inoltre l'allentamento e il guasto di tali collegamenti.
- L'area di gioco sicura si riferisce ad una zona che si estende per 200 cm (6 piedi) oltre l'altalena su tutti i lati. Installare la copertura del terreno nell'area di gioco sicura.
- Rimuovere tutti i pericoli di inciampo come rocce, ceppi, radici, ecc. dall'area di gioco sicura.
- L'area di gioco sicura deve essere libera da strutture, recinzioni, garage, case, rami sporgenti, fili della biancheria, cavi elettrici e altri ostacoli per garantire un gioco sicuro.
- I bambini devono rimanere fuori dall'area di lavoro finché l'area di gioco sicura non è stata liberata da ostacoli, l'altalena non è stata completamente

installata, tutta la bulloneria è stata serrata e controllata e tutti gli strumenti non sono stati raccolti.

GIOCO SICURO

- Insegna ai tuoi figli a giocare in sicurezza.
- Vestire i bambini in modo appropriato. Evitare accessori, indumenti con lacci, abiti larghi e oggetti con corde posizionati intorno al collo, che potrebbero impigliarsi o impigliarsi nell'attrezzatura. Indossare calzature ben aderenti e che avvolgono completamente i piedi. Anche i caschi da bicicletta devono essere tolti prima di giocare sull'altalena.
- **NON** utilizzare l'altalena in nessun modo diverso da quello previsto.
- **NON** giocare in condizioni di tempo umido a causa delle superfici potenzialmente scivolose.
- **NON** attorcigliare le catene o le corde dell'altalena né avvolgerle sulla barra di supporto superiore poiché ciò potrebbe ridurre la resistenza della catena o della corda.
- **NON** attaccare all'altalena oggetti aggiuntivi che non siano specificatamente progettati per l'uso con l'altalena, inclusi (ma non limitati a) fili per stendere, dispositivi elettrici, corde o catene allentate, ecc.

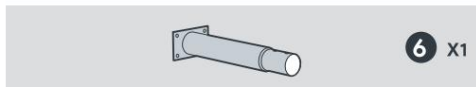
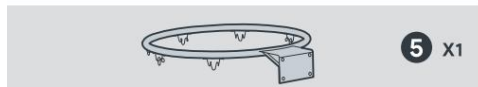
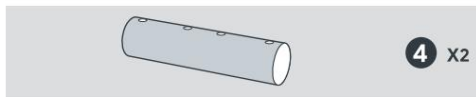
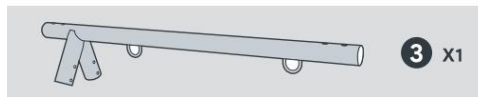
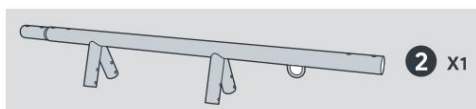
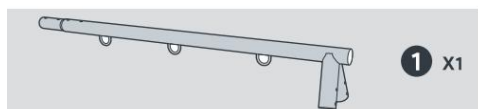
- Attenzione ai bambini a **NON** :
 - Salta dall'altalena mentre è in movimento
 - Oscillare un'altalena del sedile vuoto in un angolo
 - Appendere a testa in giù da qualsiasi parte della palestra
 - Afferrare o fermare un altro bambino su qualsiasi attrezzatura in movimento
 - Camminare vicino, davanti, tra o dietro gli oggetti in movimento
- Avvertire i bambini di sedersi al centro dell'altalena con tutto il peso sul sedile.
- Assicurarli che le corde o le catene da arrampicata siano fissate su entrambe le estremità e non possano essere avvolte su se stesse.
- Tutti i componenti potrebbero surriscaldarsi se esposti alla luce solare

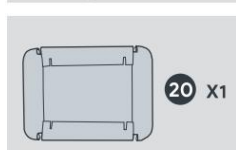
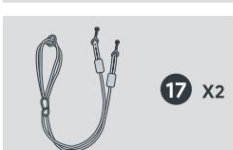
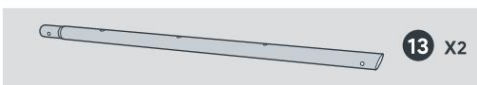
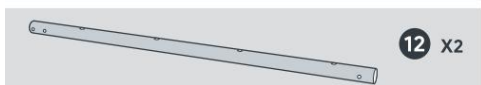
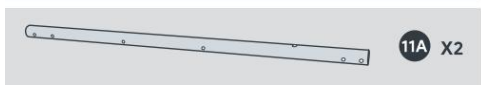
diretta. Assicurarsi che l'altalena non sia calda prima di consentire ai bambini di giocare.

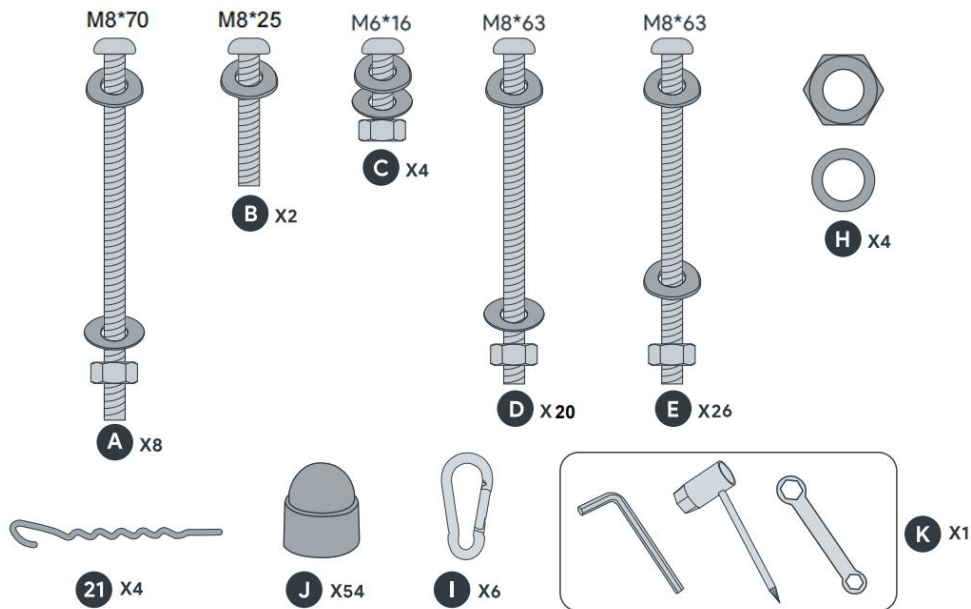
CONSERVA QUESTE ISTRUZIONI

Assemblaggio e utilizzo

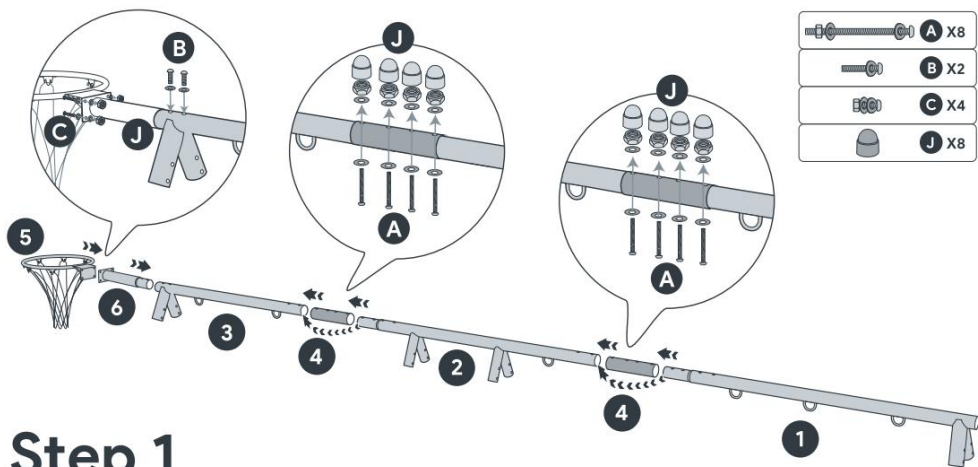
Parti del set altalena







MONTAGGIO DEL SET ALTAENA

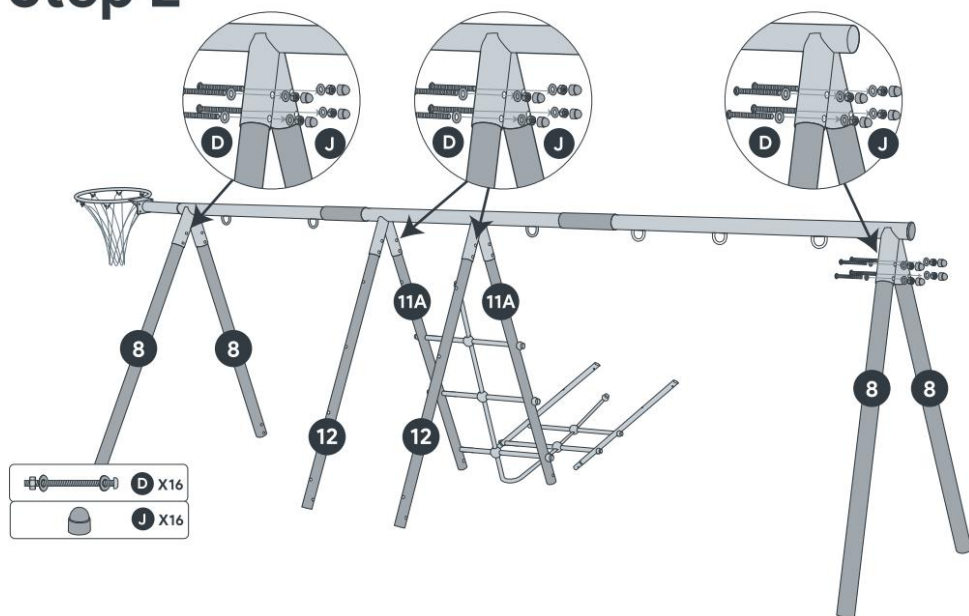


Step 1

Passo 1

5. Installare il telaio sul tubo 6, bloccarlo con la vite C e posizionare la protezione della testa J sul dado.
6. Collegare il tubo 6 e il tubo 3 e bloccarli con la vite B.
7. Collegare i tubi 3, 4 e 2, bloccarli con la vite A e posizionare la protezione della testa J sul dado.
8. Collegare i tubi 2, 4 e 1, bloccarli con la vite A e posizionare la protezione della testa J sul dado .

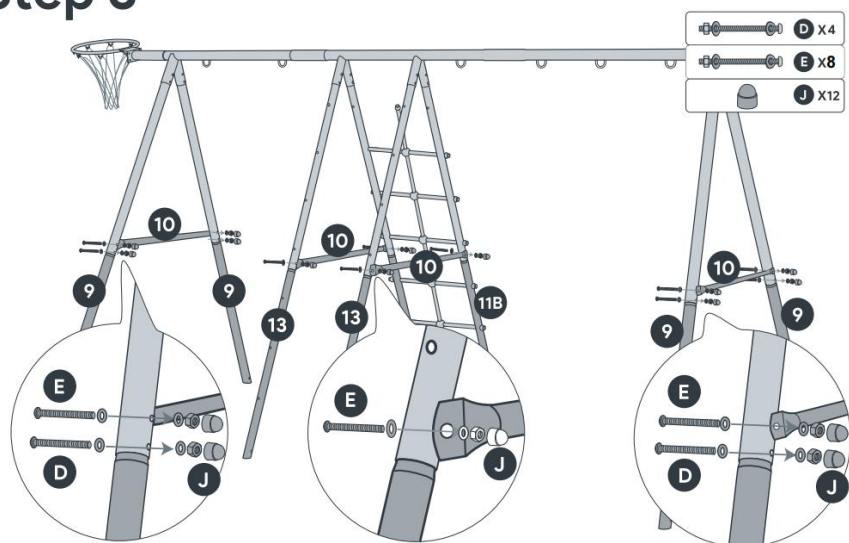
Step 2



Passo 2

Installare i tubi di supporto superiori 8, 11A e 12 sul palo principale come mostrato nello schema, fissarli e bloccarli con le viti D e coprire la protezione della testa J sul dado.

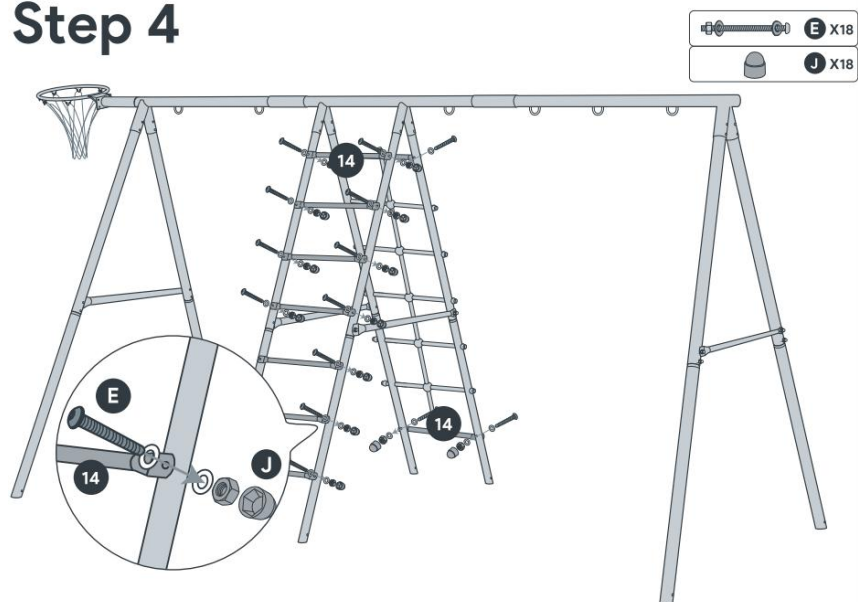
Step 3



Passaggio 3

Installare e collegare i tubi di supporto inferiori 9 e 13 ai tubi di supporto superiori e fissare i tubi di collegamento del supporto 10 con le viti E e le viti D come mostrato in figura Coprire la protezione della testa J sul dado.

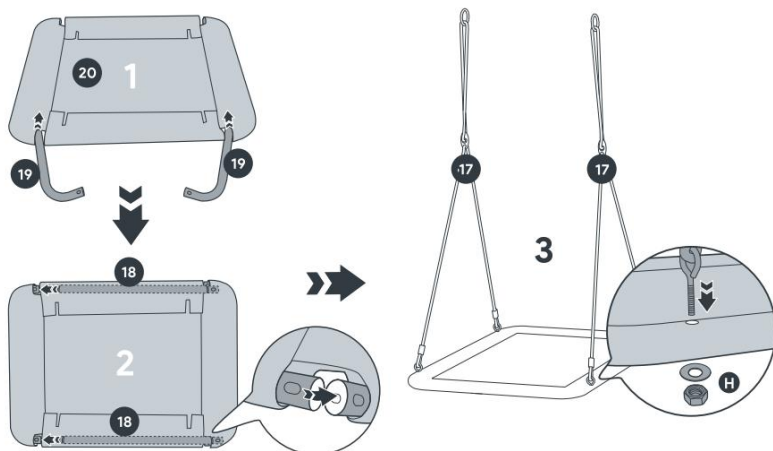
Step 4



Passaggio 4

Come mostrato in figura, fissare la biella scala all'asta supporto scala con le viti E e coprirla con un copritesta J sul dado.

Step 5



Passaggio 5

Innanzitutto, inserire il tubo piegato 19 nel rivestimento della sedia sospesa, quindi inserire il tubo dritto 18 e collegare i tubi 18 e 19. Fissarli e bloccarli con le viti H.

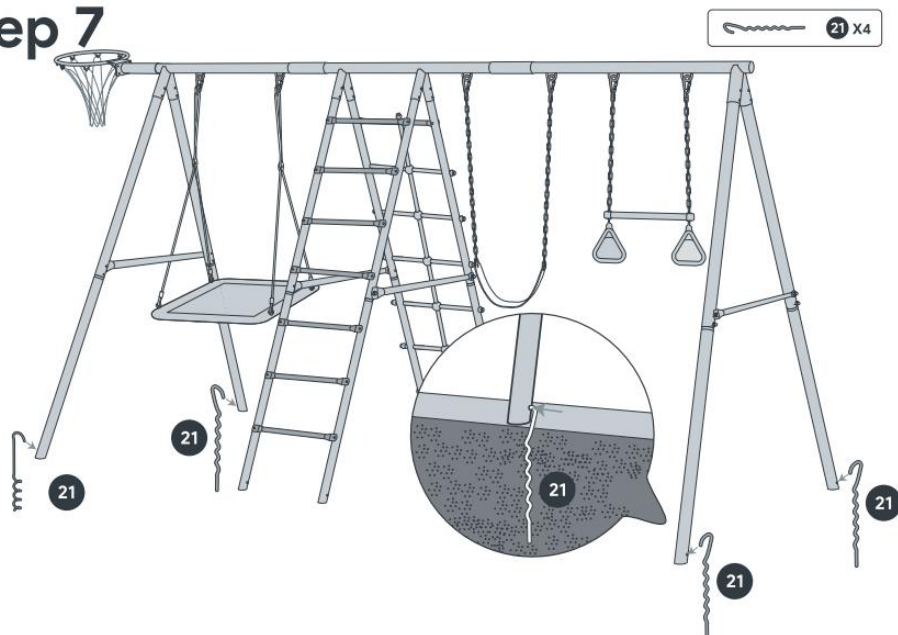
Step 6



Passaggio 6

Utilizzare la fibbia da alpinismo " I " per collegare la sedia sospesa, il sedile dell'altalena e l'anello di sospensione al palo principale dell'altalena.

Step 7



Passaggio 7

Fissare l'altalena al terreno con il gancio a terra 21 .

MANUTENZIONE

- Controllare regolarmente i pali, le maniglie e i collegamenti a vite per individuare eventuali crepe, danni e usura del materiale. Se si riscontrano danni, l'impalcatura non deve essere utilizzata. Contattare il venditore per sostituire gli articoli danneggiati con altri nuovi elementi!
- Non utilizzare mai detergenti aggressivi per pulizia!

Disposizione

L'imballaggio del prodotto è costituito da materiali riciclabili. Smaltirli in modo rispettoso dell'ambiente modo amichevole e negli appositi contenitori di raccolta.

Produttore: FUJIAN KANGLAIBAO CO., LTD.

Indirizzo: NO.1, 6A STRADA INDUSTRIALE, AREA INDUSTRIALE,
CONTEA DI LIAN CHENG, CITTÀ DI LONGYAN, PROVINCIA DEL
FUJIAN, CINA

Importato in AUS: SIHAO PTY LTD. 1 ROKEVA
STREETEASTWOOD NSW 2122 Australia

Importato negli Stati Uniti: Sanven Technology Ltd. Suite 250,
9166 Anaheim Place, Rancho Cucamonga, CA 91730

EC	REP
-----------	------------

E-CrossStu GmbH
Mainzer Landstr.69, 60329
Frankfurt am Main.

UK	REP
-----------	------------

YH CONSULTING LIMITED.
C/O YH Consulting Limited Office 147,
Centurion House, London Road,
Staines-upon-Thames, Surrey, TW18 4AX

VEVOR[®]

TOUGH TOOLS, HALF PRICE

Supporto tecnico e certificato di garanzia elettronica

www.vevor.com/support

VEVOR[®]

TOUGH TOOLS, HALF PRICE

Wsparcie techniczne i certyfikat e-gwarancji www.vevor.com/support

Zestaw huśtawek z ramą A S026

We continue to be committed to provide you tools with competitive price. "Save Half", "Half Price" or any other similar expressions used by us only represents an estimate of savings you might benefit from buying certain tools with us compared to the major top brands and does not necessarily mean to cover all categories of tools offered by us. You are kindly reminded to verify carefully when you are placing an order with us if you are actually saving half in comparison with the top major brands.

VEVOR[®]

TOUGH TOOLS, HALF PRICE

A-Frame Swing Set



MODEL: S026

NEED HELP? CONTACT US!

Have product questions? Need technical support? Please feel free to contact us:

Technical Support and E-Warranty Certificate
www.vevor.com/support

This is the original instruction, please read all manual instructions carefully before operating. VEVOR reserves a clear interpretation of our user manual. The appearance of the product shall be subject to the product you received. Please forgive us that we won't inform you again if there are any technology or software updates on our product.

INSTRUKCJE

Dziękujemy bardzo za wybranie tego zestawu huśtawek A-Frame .

- Przed użyciem przeczytaj całą instrukcję. Informacje te pomogą Ci osiągnąć najlepsze możliwe rezultaty.

Produkty prezentowane w tym katalogu mogą różnić się kolorem od rzeczywistego.

WAŻNE INSTRUKCJE BEZPIECZEŃSTWA



READ ALL INSTRUCTIONS
BEFORE USE AND SAVE
FOR FUTURE REFERENCE



This swing set is intended for use by children age from 3 to 12 years old. Not suitable for children under 3 years old.



On site adult supervision must be provided for children of all ages and at all times.

BEZPIECZNY MIEJSCE ZABAW

- **NIE** instaluj huśtawki na betonie, asfalcie lub innej twardej powierzchni. Upadek na twardą powierzchnię może spowodować poważne obrażenia. Montuj huśtawkę na nieutwardzonej, stabilnej powierzchni, takiej jak trawa lub solidna warstwa piasku.
- **NIE** instaluj zestawu huśtawkowego na pochyłym podłożu. Takie przechylenie powoduje dodatkowe obciążenie wszystkich połączeń i połączeń, a ponadto powoduje poluzowanie i uszkodzenie tych połączeń.
- Bezpieczny obszar zabawy oznacza strefę rozciągającą się na odległość 200 cm poza huśtawkę ze wszystkich stron. W bezpiecznej strefie zabawy należy zamontować pokrycie podłoża.
- Usuń wszystkie elementy stwarzające ryzyko potknięcia, takie jak kamienie, pniaki, korzenie itp. z bezpiecznego obszaru gry.
- Bezpieczny obszar zabawy musi być wolny od wszelkich konstrukcji, ogrodzeń, garaży, domów, zwisających gałęzi, sznurów do prania, przewodów elektrycznych i innych przeszkód, aby zapewnić bezpieczną zabawę.
- Dzieci powinny pozostać poza obszarem pracy do czasu oczyszczenia

bezpiecznego obszaru zabawy z przeszkód, całkowitego zamontowania huśtawki, dokręcenia i sprawdzenia wszystkich elementów osprzętu oraz pobrania wszystkich narzędzi.

BEZPIECZNA GRA

- Naucz swoje dzieci bezpiecznej zabawy.
- Ubieraj dzieci odpowiednio. Unikaj akcesoriów, ubrań ze sznurkami, luźnych ubrań i przedmiotów zawiązanych na szyi, które mogą zaplątać się lub zaczepić o sprzęt. Ubieraj się wraz z dobrze dopasowanym i zakrywającym całą stopę obuwiem. Przed zabawą należy zdjąć także kaski rowerowe na huśtawce.
- **NIE WOLNO** używać huśtawki w sposób inny niż przeznaczony.
- **NIE GRAJ** w mokrych warunkach pogodowych ze względu na potencjalnie śliską nawierzchnię.
- **NIE** skręcać łańcuchów ani lin huśtawkowych ani nie zarzucać ich na górny drążek nośny, ponieważ może to zmniejszyć wytrzymałość łańcucha lub liny.
- **NIE** mocuj do huśtawki dodatkowych elementów, które nie są specjalnie zaprojektowane do użytku z huśtawką, w tym (ale nie ograniczając się do) sznurów do ubrań, urządzeń elektrycznych, luźnych lin lub łańcuchów itp.

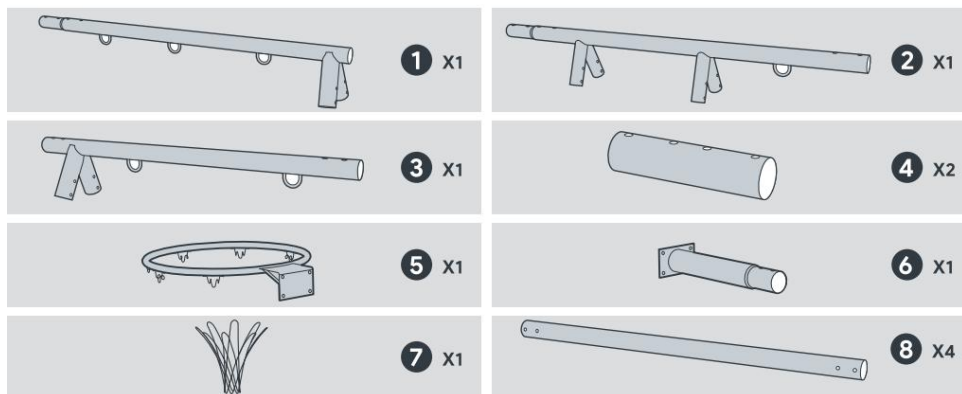
- Przestrzegaj dzieci, aby **NIE** :
 - Zeskocz z huśtawki, gdy jest w ruchu
 - Huśtaj pustą huśtawkę z siedziskiem pod kątem
 - Zawieś do góry nogami na dowolnej części zestawu gimnastycznego
 - Chwyć lub zatrzymaj inne dziecko na poruszającym się sprzęcie
 - Podejdź blisko, przed, pomiędzy lub za poruszającymi się przedmiotami
- Należy zwrócić uwagę, aby dzieci siedziały na środku huśtawki, całym ciężarem ciała spoczywając na siedzisku.
- Upewnij się, że liny lub łańcuchy wspinaczkowe są zabezpieczone na obu końcach i nie można ich ponownie skręcić.

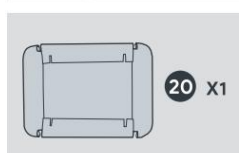
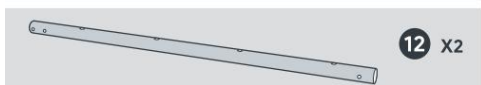
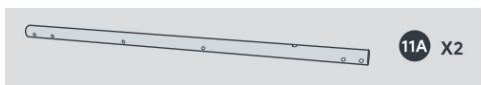
- Wszystkie elementy mogą się nagrzać pod wpływem bezpośredniego światła słonecznego. Zanim pozwolisz dzieciom bawić się, upewnij się, że huśtawka nie jest gorąca.

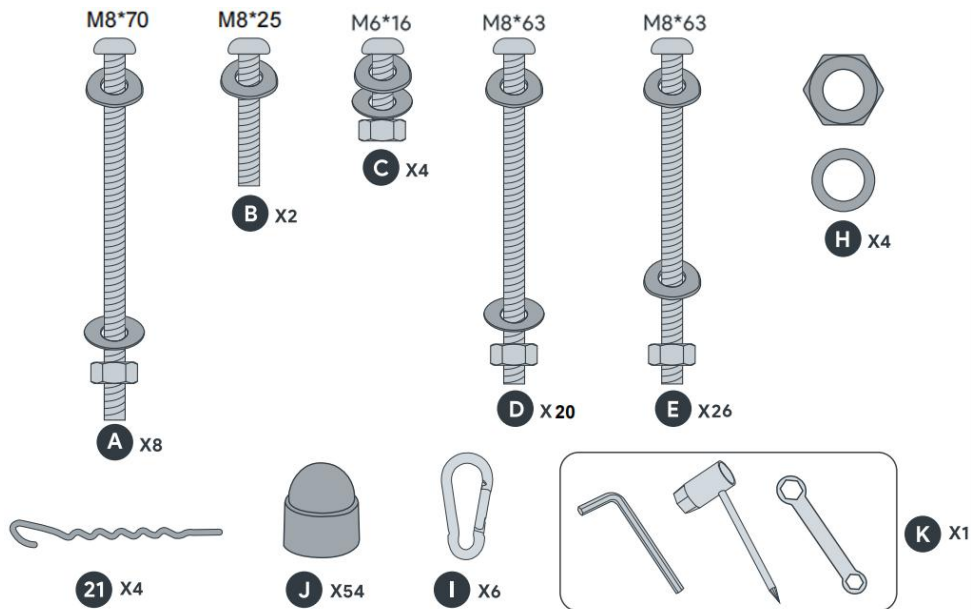
ZACHOWAJ TE INSTRUKCJE

Montaż i użytkowanie

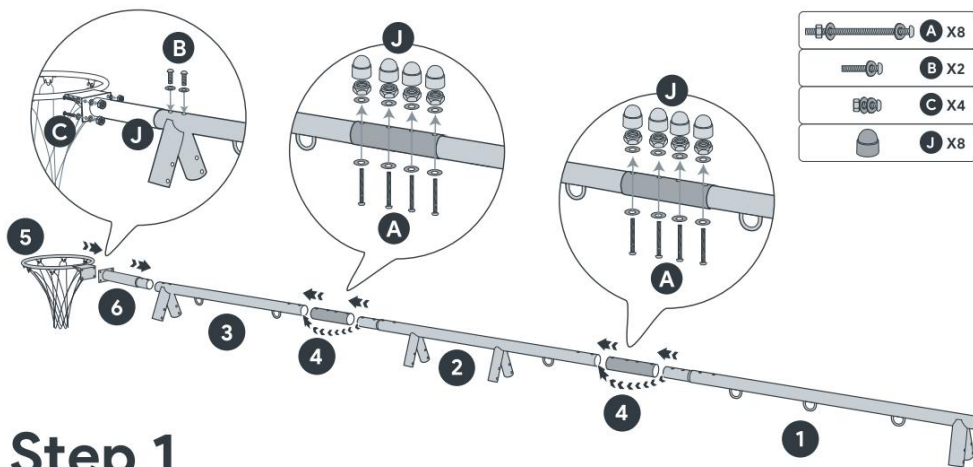
Części zestawu huśtawek







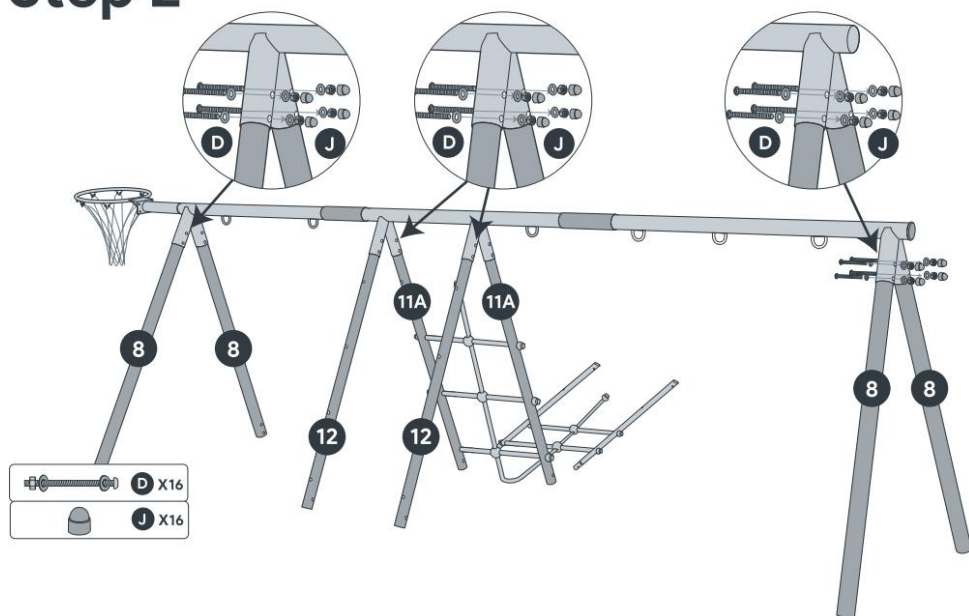
MONTAŻ ZESTAWU HANDLOWEGO



Krok 1

9. Zamontuj obręcz na rurze 6, zablokuj ją śrubą C i umieść osłonę główki J na nakrętce.
10. Połącz rurkę 6 i rurkę 3 i zablokuj je śrubą B.
11. Podłącz rury 3, 4 i 2, zablokuj je śrubą A i załóż osłonę główicy J na nakrętce.
12. Połącz rury 2, 4 i 1, zabezpiecz je śrubą A i załóż osłonę główicy J na nakrętce .

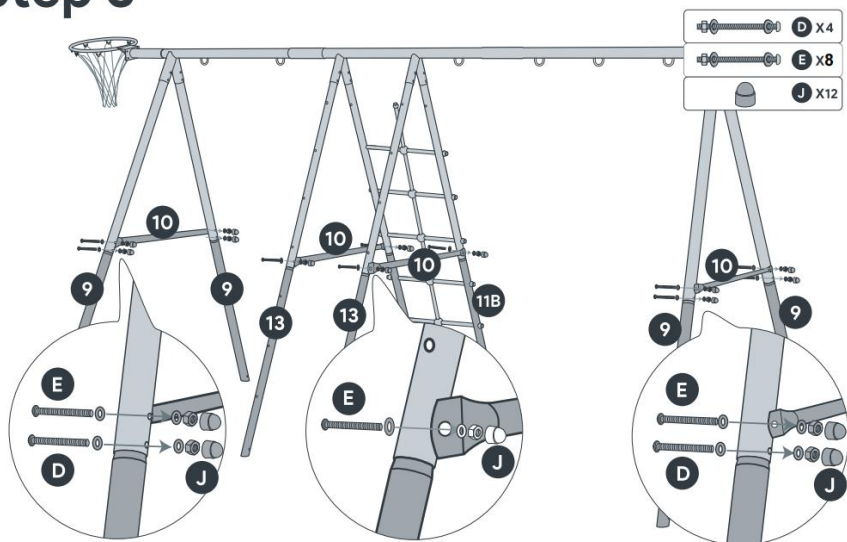
Step 2



Krok 2

Zamontuj górne rury nośne 8, 11A i 12 na słupie głównym, jak pokazano na schemacie, przymocuj i zabezpiecz je śrubami D, a następnie zakryj osłonę główki J na nakrętce.

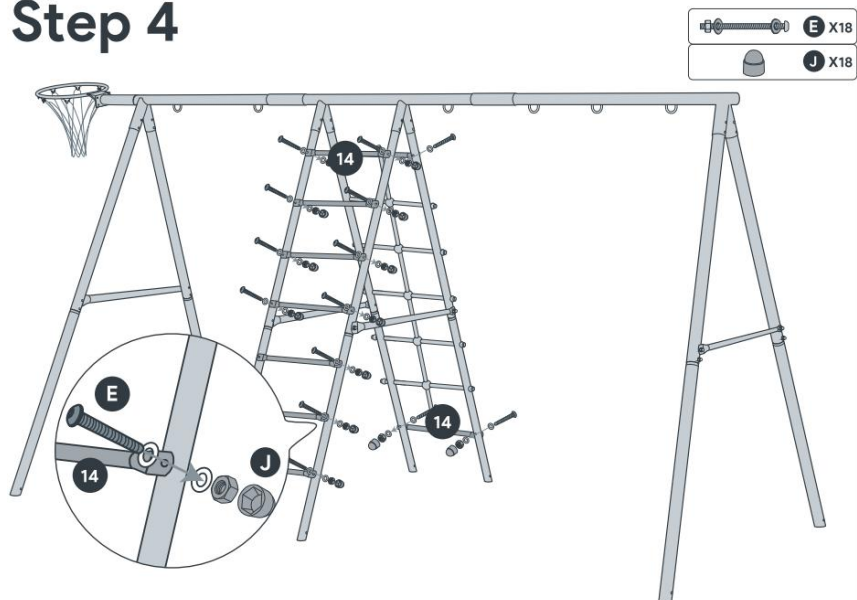
Step 3



Krok 3

Zamontuj i połącz dolne rury wsporcze 9 i 13 z górnymi rurami wsporczymi i przymocuj rury łączące wsporcze 10 za pomocą śrub E i śrub D, jak pokazano na rysunku. Zakryj osłonę głowicy J na nakrętkę.

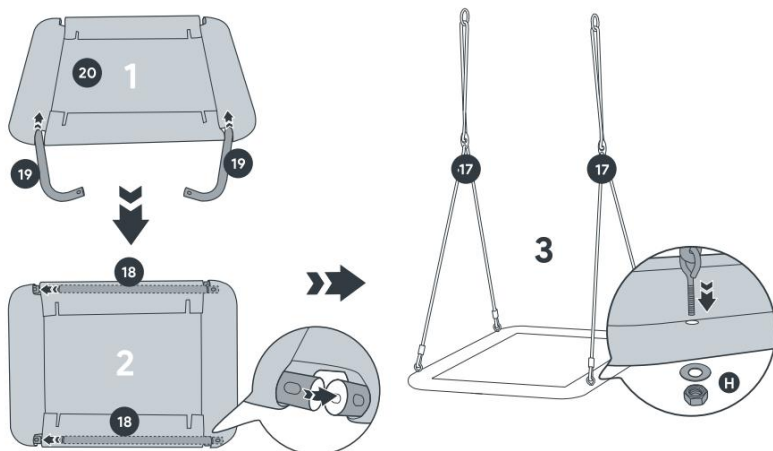
Step 4



Krok 4

Jak pokazano na rysunku, przymocuj drążek łączący drabinę do pręta nośnego drabiny za pomocą śrub E i przykryj go osłoną czołową J na nakrętkę.

Step 5



Krok 5

Najpierw włóż kolanko 19 do pokrowca fotela wiszącego, następnie włóż prostą rurę 18 i połącz rury 18 i 19. Zabezpiecz i zablokuj śrubami H.

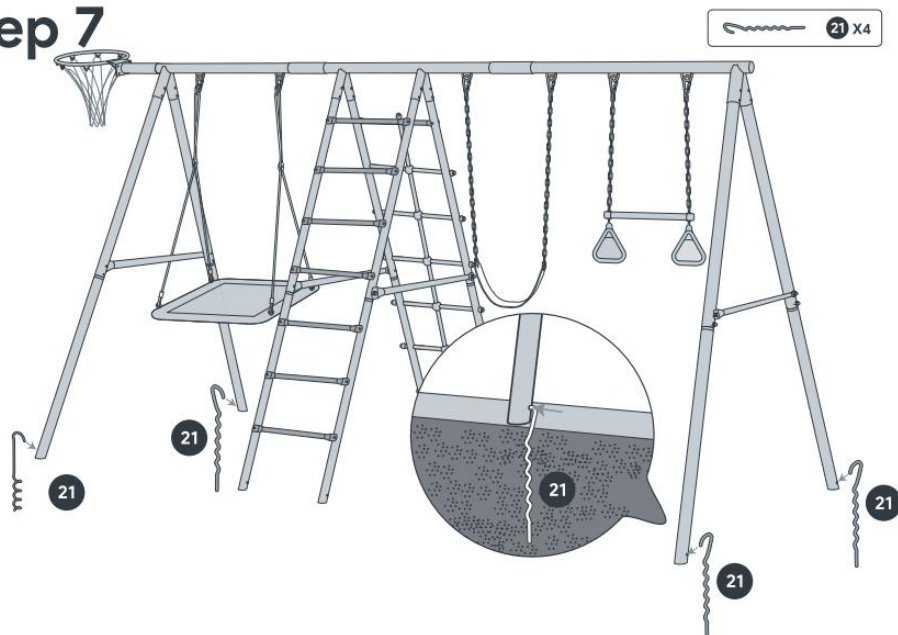
Step 6



Krok 6

Użyj klamry alpinistycznej „ I ” , aby połączyć wiszące krzesło, siedzisko huśtawki i pierścień do zawieszenia z głównym drążkiem huśtawki.

Step 7



Krok 7

Zamocuj huśtawkę w ziemi za pomocą haka uziemiającego 21 .

KONSERWACJA

- Regularnie sprawdzaj słupy, uchwyty i połączenia śrubowe pod kątem pęknięć, uszkodzeń i zmęczenia materiału. W przypadku stwierdzenia uszkodzeń rusztowania nie należy używać. Prosimy o kontakt ze sprzedawcą w celu wymiany uszkodzonych elementów na nowe elementy!
- Nigdy nie używaj agresywnych środków czyszczących czyszczenie!

Sprzedaż

Opakowanie produktu składa się z materiałów nadających się do recyklingu. Należy je utylizować w sposób przyjazny dla środowiska przyjazny sposób i w dostarczonych pojemnikach do zbiórki.

Producent: FUJIAN KANGLAIBAO CO., LTD.

Adres: NR 1, 6-TA DROGA PRZEMYSŁOWA, OBSZAR PRZEMYSŁOWY, Hrabstwo LIAN CHENG, MIASTO LONGYAN, PROWINCJA FUJIAN, CHINY

Import do Australii: SIHAO PTY LTD. 1 ROKEVA STREETEASTWOOD NSW 2122 Australia

Import do USA: Sanven Technology Ltd. Suite 250, 9166 Anaheim Place, Rancho Cucamonga, CA 91730

EC	REP
-----------	------------

E-CrossStu GmbH
Mainzer Landstr.69, 60329
Frankfurt am Main.

UK	REP
-----------	------------

YH CONSULTING LIMITED.
C/O YH Consulting Limited Office 147,
Centurion House, London Road,
Staines-upon-Thames, Surrey, TW18 4AX

VEVOR[®]

TOUGH TOOLS, HALF PRICE

Wsparcie techniczne i certyfikat e-gwarancji

www.vevor.com/support

VEVOR[®]

TOUGH TOOLS, HALF PRICE

Technischer Support und E-Garantiezertifikat www.vevor.com/support

A-Frame-Schaukelset

S026

We continue to be committed to provide you tools with competitive price. "Save Half", "Half Price" or any other similar expressions used by us only represents an estimate of savings you might benefit from buying certain tools with us compared to the major top brands and does not necessarily mean to cover all categories of tools offered by us. You are kindly reminded to verify carefully when you are placing an order with us if you are actually saving half in comparison with the top major brands.

VEVOR[®]

TOUGH TOOLS, HALF PRICE

A-Frame Swing Set



MODELL: S026

NEED HELP? CONTACT US!

Have product questions? Need technical support? Please feel free to contact us:

Technical Support and E-Warranty Certificate
www.vevor.com/support

This is the original instruction, please read all manual instructions carefully before operating. VEVOR reserves a clear interpretation of our user manual. The appearance of the product shall be subject to the product you received. Please forgive us that we won't inform you again if there are any technology or software updates on our product.

ANWEISUNGEN

Vielen Dank, dass Sie sich für dieses A-Frame-Schaukelset entschieden haben .

- Bitte lesen Sie alle Anweisungen, bevor Sie es verwenden. Die Informationen helfen Ihnen, die bestmöglichen Ergebnisse zu erzielen.

Die in diesem Katalog aufgeführten Produkte können farblich vom tatsächlichen Artikel abweichen.

WICHTIGE SICHERHEITSANWEISUNGEN



READ ALL INSTRUCTIONS
BEFORE USE AND SAVE
FOR FUTURE REFERENCE



This swing set is intended for use by children age from 3 to 12 years old. Not suitable for children under 3 years old.



On site adult supervision must be provided for children of all ages and at all times.

SICHERER SPIELBEREICH

- **NICHT** auf Beton, Asphalt oder einer anderen harten Oberfläche. Ein Sturz auf eine harte Oberfläche kann zu schweren Verletzungen führen. Installieren Sie sie auf einer unbefestigten, stabilen Oberfläche, wie z. B. Gras oder einer festen Sandschicht.
- **NICHT** auf abschüssigem Boden auf. Diese Neigung belastet alle Verbindungen und Verbindungen zusätzlich und führt dazu, dass sich diese Verbindungen lockern und versagen.
- Der sichere Spielbereich bezieht sich auf eine Zone, die sich auf allen Seiten 6 Fuß (200 cm) über die Schaukel hinaus erstreckt. Installieren Sie die Bodenabdeckung in der sicheren Spielzone.
- Entfernen Sie alle Stolperfallen wie Steine, Baumstümpfe, Wurzeln usw. aus dem sicheren Spielbereich.
- Der sichere Spielbereich muss frei von allen Strukturen, Zäunen, Garagen, Häusern, überhängenden Ästen, Wäscheleinen, Elektrokabeln und anderen Hindernissen sein, um ein sicheres Spielen zu gewährleisten.
- Kinder sollten sich vom Arbeitsbereich fernhalten, bis der sichere Spielbereich von Hindernissen befreit ist, die Schaukel vollständig installiert

wurde, alle Beschläge festgezogen und überprüft wurden und alle Werkzeuge aufgenommen wurden.

SICHERES SPIEL

- Bringen Sie Ihren Kindern bei, sicher zu spielen.
- Ziehen Sie Kinder angemessen an. Vermeiden Sie Accessoires, Kleidung mit Kordelzug, locker sitzende Kleidung und Schnüre, die sich an der Ausrüstung verfangen könnten. Tragen Sie auch gut sitzende und den Fuß vollständig umschließende Schuhe auf der Schaukel.
- **NICHT** anders als vorgesehen.
- **Sie NICHT** bei nassem Wetter, da der Untergrund möglicherweise rutschig ist.
- **NICHT** und legen Sie sie NICHT über die obere Stützstange, da dies die Festigkeit der Kette oder des Seils verringern kann.
- **Sie KEINE** zusätzlichen Gegenstände an der Schaukel, die nicht speziell für die Verwendung mit der Schaukel konzipiert sind, einschließlich (aber nicht beschränkt auf) Wäscheleinen, elektrische Geräte, lose Seile oder Ketten usw.

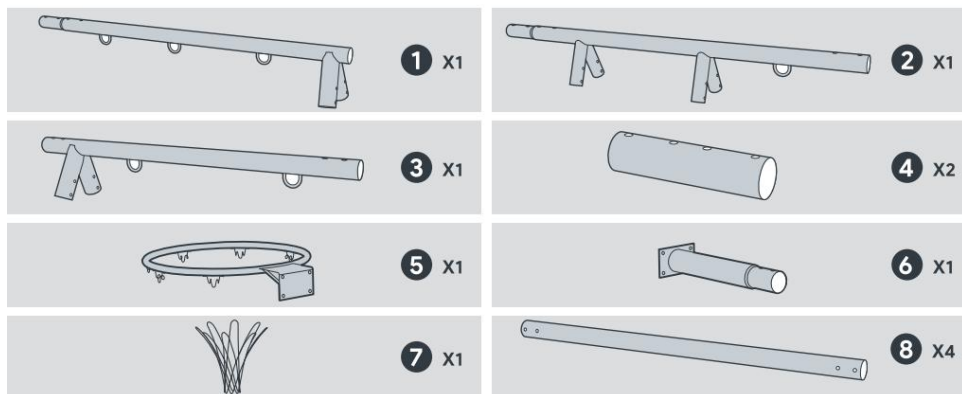
- Weisen Sie Kinder darauf hin, Folgendes **NICHT** zu tun:
 - Springen Sie von der Schaukel, während sie in Bewegung ist
 - Schwingen Sie eine leere Sitzschaukel schräg
 - Hängen Sie es kopfüber an einen beliebigen Teil des Fitness-Sets
 - Ergreifen oder stoppen Sie ein anderes Kind an einem sich bewegenden Gerät
 - Gehen Sie nah an, vor, zwischen oder hinter sich bewegenden Gegenständen
- Achten Sie darauf, dass Kinder mit ihrem gesamten Gewicht auf dem Sitz in der Mitte der Schaukel sitzen.
- Achten Sie darauf, dass Kletterseile oder -ketten an beiden Enden gesichert sind und nicht auf sich selbst zurückgeschlungen werden können.

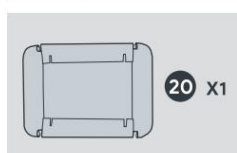
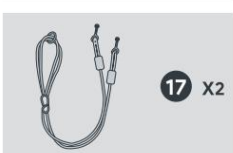
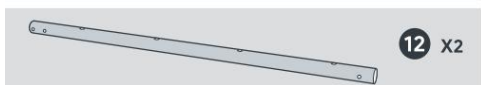
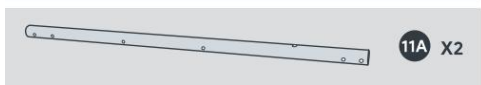
- Alle Komponenten können heiß werden, wenn sie direktem Sonnenlicht ausgesetzt werden. Stellen Sie sicher, dass die Schaukel nicht heiß ist, bevor Sie Kinder spielen lassen.

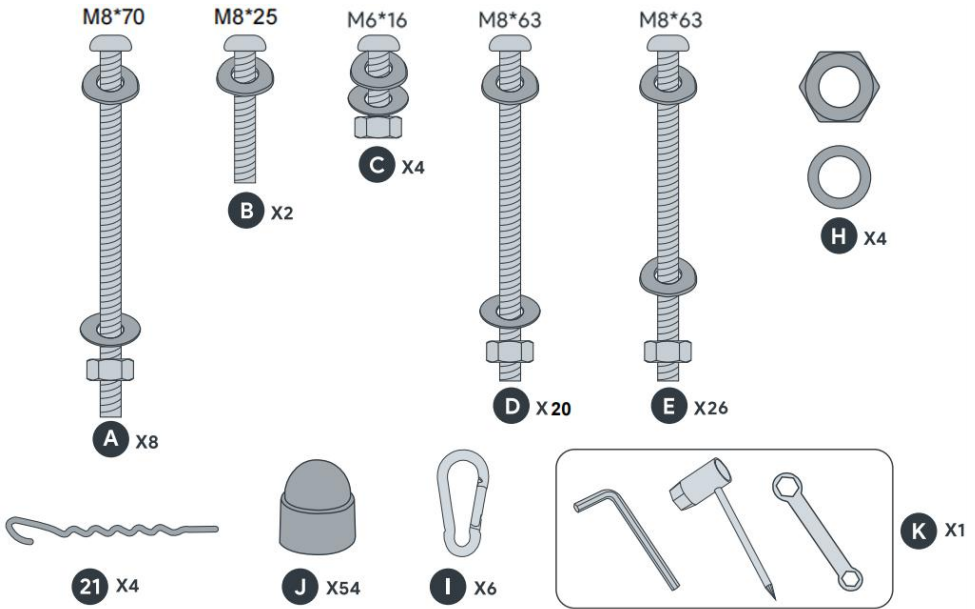
ANLEITUNG AUFBEWAHREN

Montage und Verwendung

Schaukel-Set-Teile



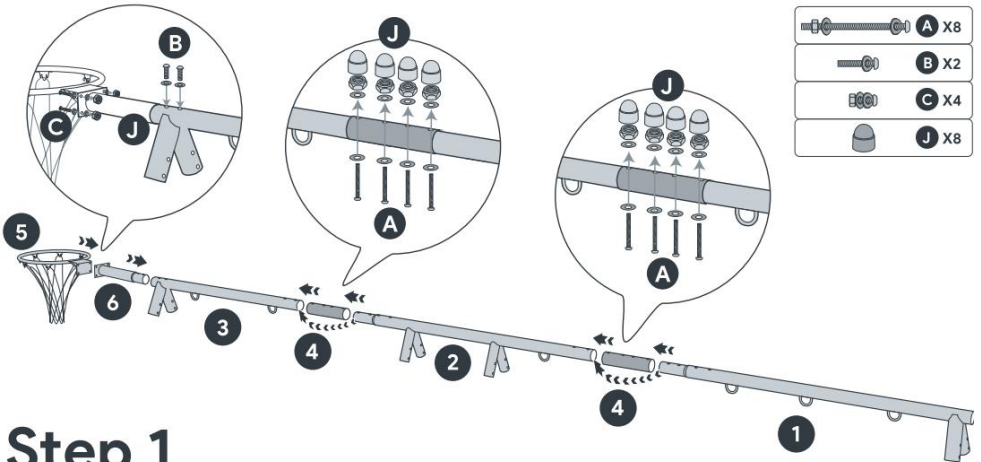




MONTAGE DES SCHAUKEL-SETS



Slightly tighten all parts during assembling and firmly secure after all parts are installed.



Schritt 1

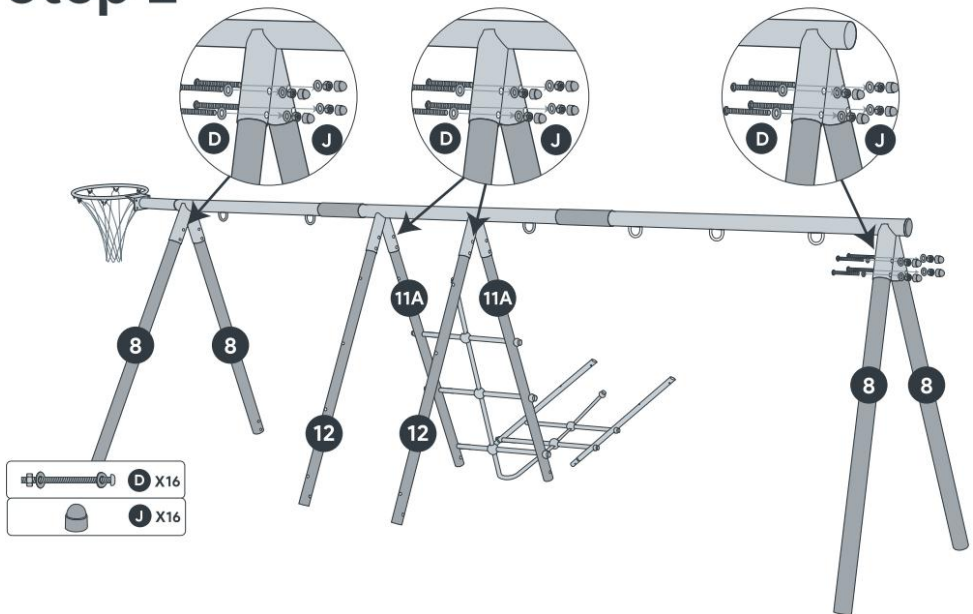
13. Montieren Sie den Reifen auf Rohr 6, sichern Sie ihn mit der Schraube C und setzen Sie den J- Kopfschutz auf die Mutter.

14. Verbinden Sie Rohr 6 und Rohr 3 und verriegeln Sie diese mit der Schraube B.

15. Verbinden Sie die Rohre 3, 4 und 2, sichern Sie sie mit der Schraube A und setzen Sie den J-Kopfschutz auf die Mutter.

16. Verbinden Sie die Rohre 2, 4 und 1, sichern Sie sie mit der Schraube A und setzen Sie den J-Kopfschutz auf die Mutter .

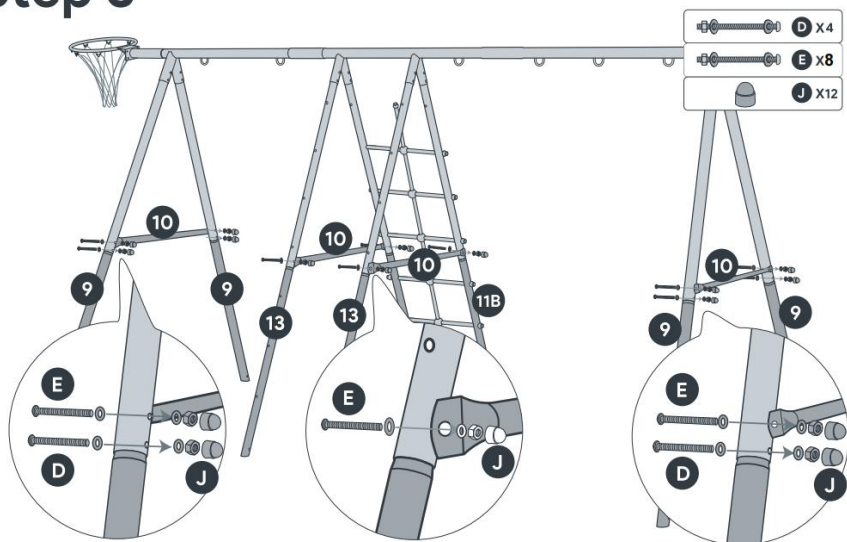
Step 2



Schritt 2

Montieren Sie die oberen Stützrohre 8, 11A und 12 wie in der Abbildung gezeigt am Hauptmast, befestigen und sichern Sie sie mit den Schrauben D und decken Sie den Kopfschutz J auf der Mutter ab.

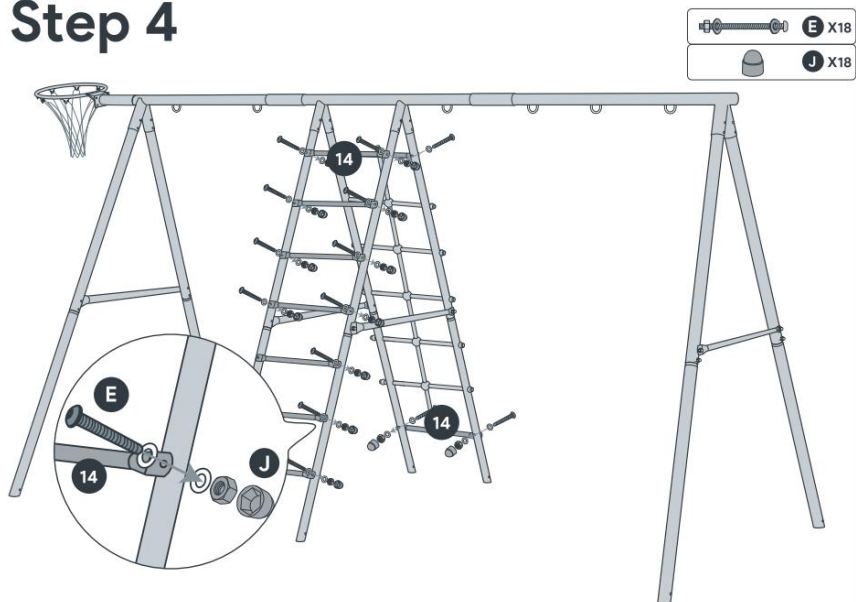
Step 3



Schritt 3

Installieren und verbinden Sie die unteren Stützrohre 9 und 13 mit den oberen Stützrohren und befestigen Sie die Stützverbindungsrohre 10 mit E-Schrauben und D-Schrauben, wie in der Abbildung gezeigt. Decken Sie den Kopfschutz J mit der Mutter ab.

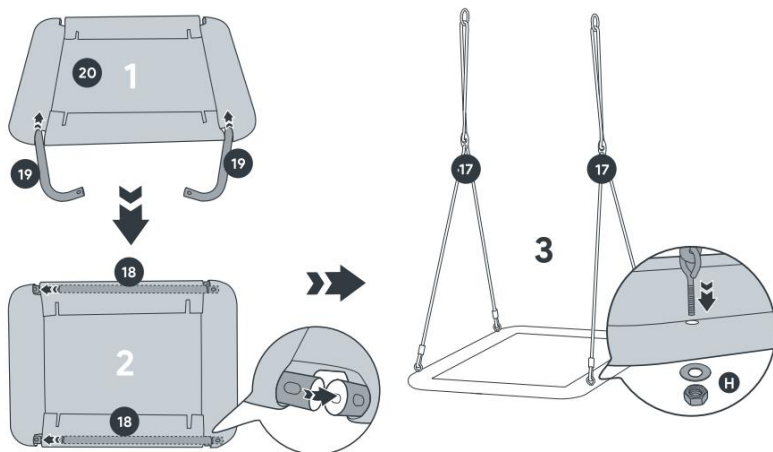
Step 4



Schritt 4

Befestigen Sie die Leiterverbindungsstange wie in der Abbildung gezeigt mit E-Schrauben an der Leiterstützstange und decken Sie sie mit einem Kopfschutz J an der Mutter ab.

Step 5



Schritt 5

Führen Sie zuerst das gebogene Rohr 19 in den Bezug des Hängestuhls

ein, dann das gerade Rohr 18 und verbinden Sie die Rohre 18 und 19.
Befestigen und verriegeln Sie diese mit H-Schrauben.

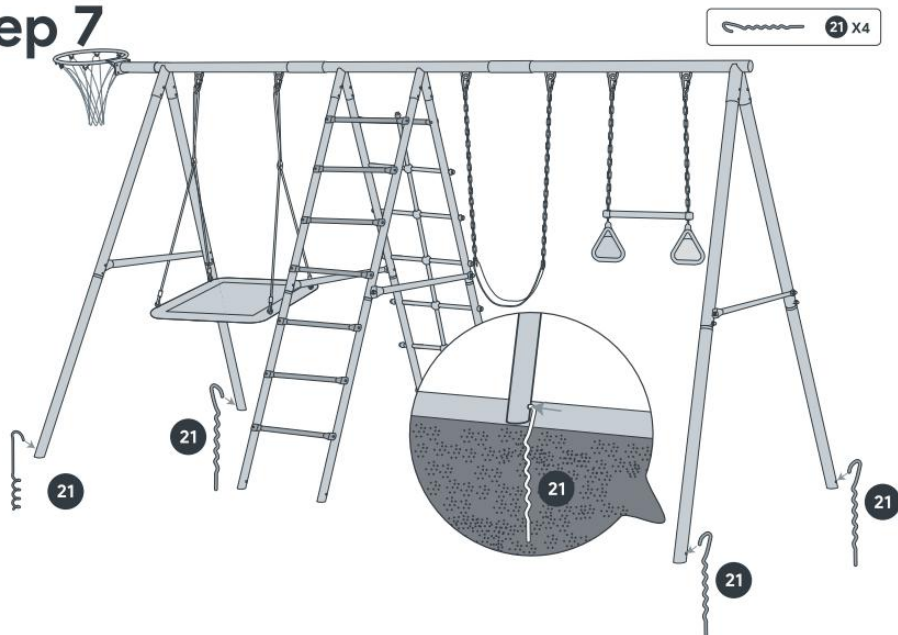
Step 6



Schritt 6

Verwenden Sie die Bergsteigerschnalle „ I “, um den Hängesessel, den Schaukelsitz und den Aufhänger mit der Hauptschaukelstange zu verbinden.

Step 7



Schritt7

Befestigen Sie die Schaukel mit dem Erdhaken 21 im Boden .

WARTUNG

- Überprüfen Sie regelmäßig die Stangen, Griffe und Schraubverbindungen auf Risse, Beschädigungen und Materialermüdung. Bitte wenden Sie sich an Ihren Verkäufer, um die beschädigten Teile durch neue zu ersetzen Elemente!
- Verwenden Sie niemals aggressive Reinigungsmittel Reinigung!

Entsorgung

Die Produktverpackung besteht aus wiederverwertbaren Materialien. Entsorgen Sie diese umweltgerecht freundlich und in den bereitgestellten Sammelbehältern abzugeben.

Hersteller: FUJIAN KANGLAIBAO CO., LTD.

Adresse: NR. 1, INDUSTRIAL 6TH-ROAD, INDUSTRIEGEBIET, LIAN CHENG COUNTY, STADT LONGYAN, PROVINZ FUJIAN, CHINA

Importiert nach AUS: SIHAO PTY LTD. 1 ROKEVA
STREETEASTWOOD NSW 2122 Australien

In die USA importiert: Sanven Technology Ltd. Suite 250, 9166
Anaheim Place, Rancho Cucamonga, CA 91730

EC	REP
-----------	------------

E-CrossStu GmbH
Mainzer Landstr.69, 60329
Frankfurt am Main.

UK	REP
-----------	------------

YH CONSULTING LIMITED.
C/O YH Consulting Limited Office 147,
Centurion House, London Road,
Staines-upon-Thames, Surrey, TW18 4AX

VEVOR[®]

TOUGH TOOLS, HALF PRICE

Zertifikat für technischen Support und E-Garantie

www.vevor.com/support

VEVOR[®]

TOUGH TOOLS, HALF PRICE

Assistance technique et certificat de garantie électronique www.vevor.com/support

Ensemble de balance à cadre en A S026

We continue to be committed to provide you tools with competitive price. "Save Half", "Half Price" or any other similar expressions used by us only represents an estimate of savings you might benefit from buying certain tools with us compared to the major top brands and does not necessarily mean to cover all categories of tools offered by us. You are kindly reminded to verify carefully when you are placing an order with us if you are actually saving half in comparison with the top major brands.

VEVOR[®]

TOUGH TOOLS, HALF PRICE

A-Frame Swing Set



MODÈLE: S026

NEED HELP? CONTACT US!

Have product questions? Need technical support? Please feel free to contact us:

Technical Support and E-Warranty Certificate
www.vevor.com/support

This is the original instruction, please read all manual instructions carefully before operating. VEVOR reserves a clear interpretation of our user manual. The appearance of the product shall be subject to the product you received. Please forgive us that we won't inform you again if there are any technology or software updates on our product.

INSTRUCTIONS

Merci beaucoup d'avoir choisi cet ensemble de balançoires en A.

- Veuillez lire toutes les instructions avant de l'utiliser. Les informations vous aideront à obtenir les meilleurs résultats possibles.

Les produits présentés dans ce catalogue peuvent avoir une couleur différente de celle de l'article réel.

CONSIGNES DE SÉCURITÉ IMPORTANTES



READ ALL INSTRUCTIONS
BEFORE USE AND SAVE
FOR FUTURE REFERENCE



This swing set is intended for use by children age from 3 to 12 years old. Not suitable for children under 3 years old.



On site adult supervision must be provided for children of all ages and at all times.

ZONE DE JEU SÉCURISÉE

- **N'installez PAS** la balançoire sur du béton, de l'asphalte ou toute autre surface dure. Une chute sur une surface dure peut entraîner des blessures graves. Installez-la sur une surface stable non pavée, comme de l'herbe ou une solide couche de sable.
- **N'installez PAS** la balançoire sur un sol en pente. Cette inclinaison exerce une pression supplémentaire sur toutes les connexions et tous les joints et provoque en outre le desserrage et la défaillance de ces connexions.
- L'aire de jeu sécuritaire fait référence à une zone s'étendant de 6 pi (200 cm) au-delà de la balançoire de tous les côtés. Installez le couvre-sol dans la zone de jeu sécuritaire.
- Retirez tous les risques de trébuchement tels que les roches, les souches, les racines, etc. de l'aire de jeu sécurisée.
- L'aire de jeu sécuritaire doit être exempte de toute structure, clôture, garage, maison, branches en surplomb, cordes à linge, fils électriques et autres obstacles pour garantir un jeu sécuritaire.
- Les enfants doivent rester en dehors de la zone de travail jusqu'à ce que l'aire de jeu sécurisée soit dégagée de tout obstacle, que la balançoire soit

complètement installée, que toute la quincaillerie ait été serrée et vérifiée et que tous les outils aient été ramassés.

JEU SÉCURISÉ

- Apprenez à vos enfants à jouer en toute sécurité.
- Habillez les enfants de manière appropriée. Évitez les accessoires, les vêtements avec des cordons de serrage, les vêtements amples et les articles à cordes placés autour du cou, qui pourraient s'emmêler ou s'accrocher à l'équipement. Habillez-vous avec des chaussures bien ajustées et enveloppant les pieds. Les casques de vélo doivent également être retirés avant de jouer sur la balançoire.
- **N'utilisez PAS** la balançoire d'une manière autre que celle prévue.
- **NE PAS** jouer par temps humide en raison de surfaces potentiellement glissantes.
- **NE PAS** tordre les chaînes ou les cordes de la balançoire et ne pas les enrouler sur la barre de support supérieure car cela pourrait réduire la résistance de la chaîne ou de la corde.
- **NE PAS** attacher d'objets supplémentaires à la balançoire qui ne sont pas spécifiquement conçus pour être utilisés avec la balançoire, y compris (mais sans s'y limiter) des cordes à linge, des appareils électriques, des cordes ou des chaînes lâches, etc.

- Avertissez les enfants de **NE PAS** :
 - Sauter de la balançoire pendant qu'elle est en mouvement
 - Faire pivoter une balançoire de siège vide à un angle
 - Suspendu à l'envers à n'importe quelle partie de l'ensemble de gym.
 - Saisir ou arrêter un autre enfant sur tout équipement en mouvement
 - Marcher à proximité, devant, entre ou derrière des objets en mouvement
- Avertissez les enfants de s'asseoir au centre de la balançoire avec tout leur poids sur le siège.
- Assurez-vous que les cordes ou chaînes d'escalade sont sécurisées aux deux extrémités et ne peuvent pas être enroulées sur

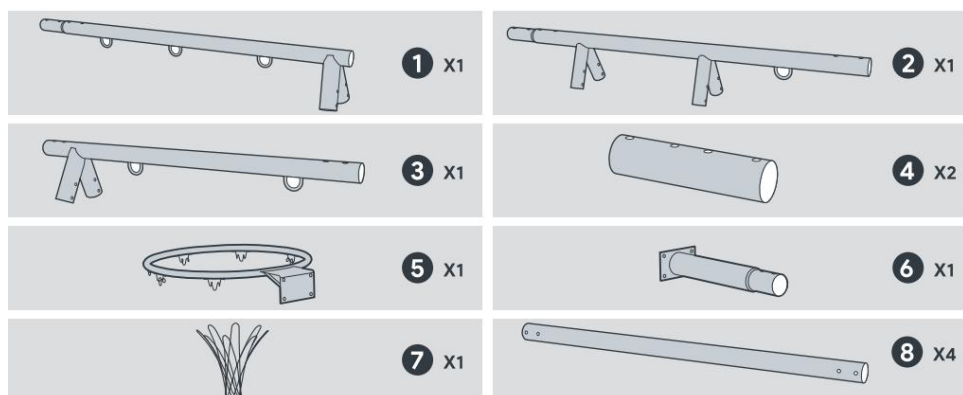
elles-mêmes.

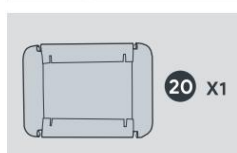
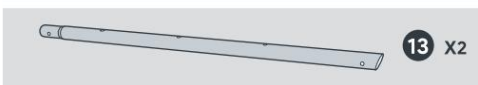
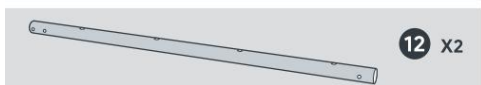
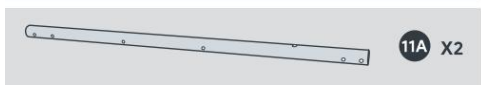
- Tous les composants peuvent devenir chauds lorsqu'ils sont exposés à la lumière directe du soleil. Assurez-vous que la balançoire n'est pas chaude avant de permettre aux enfants de jouer.

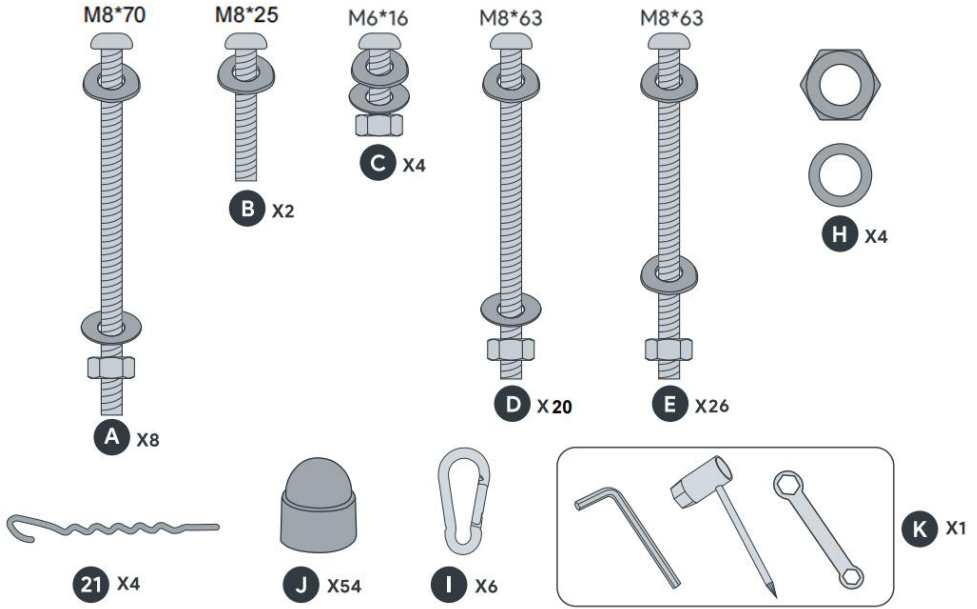
CONSERVEZ CES INSTRUCTIONS

Assemblage et utilisation

Pièces de balançoire

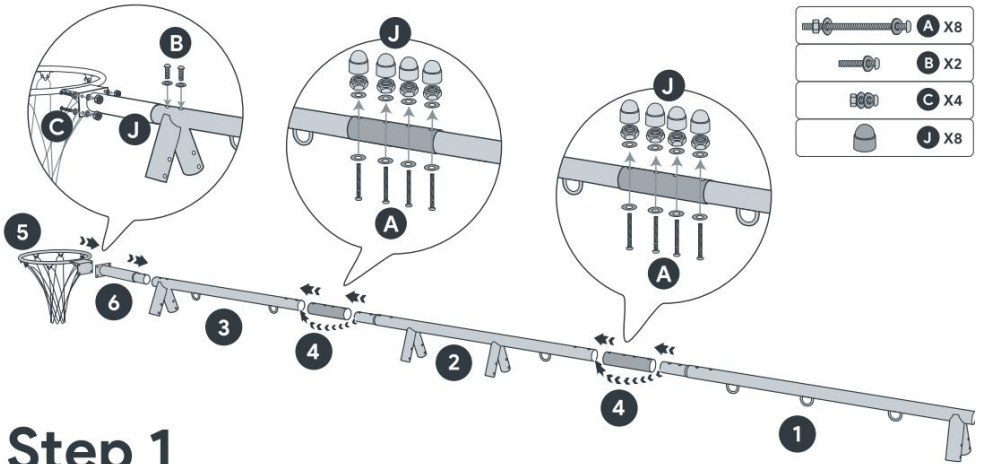






ASSEMBLAGE DE LA BALANÇOIRE

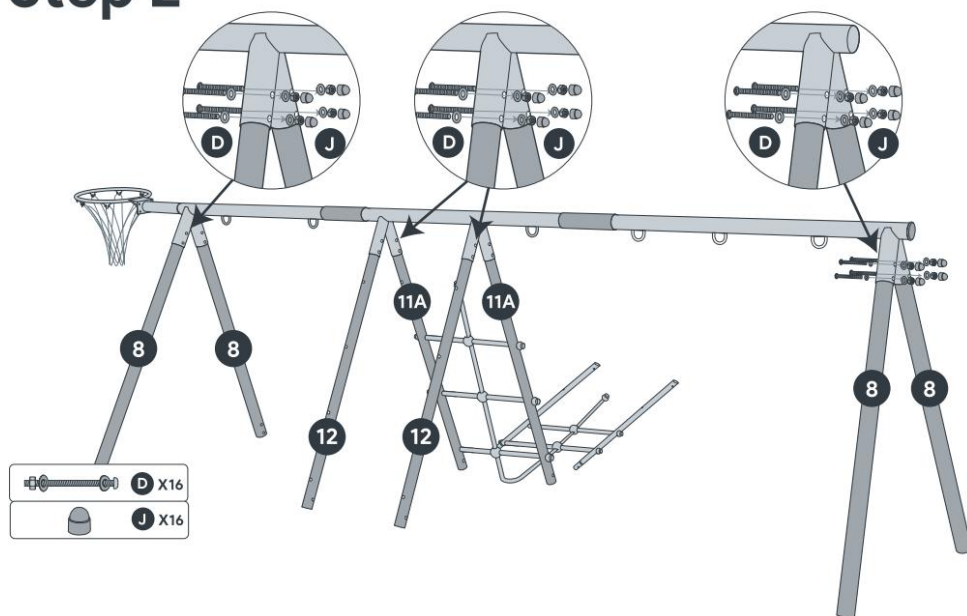

 Slightly tighten all parts during assembling and firmly secure after all parts are installed.



Étape 1

17. Installez l'arceau sur le tube 6, verrouillez-le avec la vis C et placez le protège -tête J sur l'écrou.
18. Connectez le tube 6 et le tube 3 et verrouillez-les avec la vis B.
19. Connectez les tuyaux 3, 4 et 2, verrouillez-les avec la vis A et placez le protège -tête J sur l'écrou.
20. Connectez les tuyaux 2, 4 et 1, bloquez-les avec la vis A et placez le protège -tête J sur l'écrou .

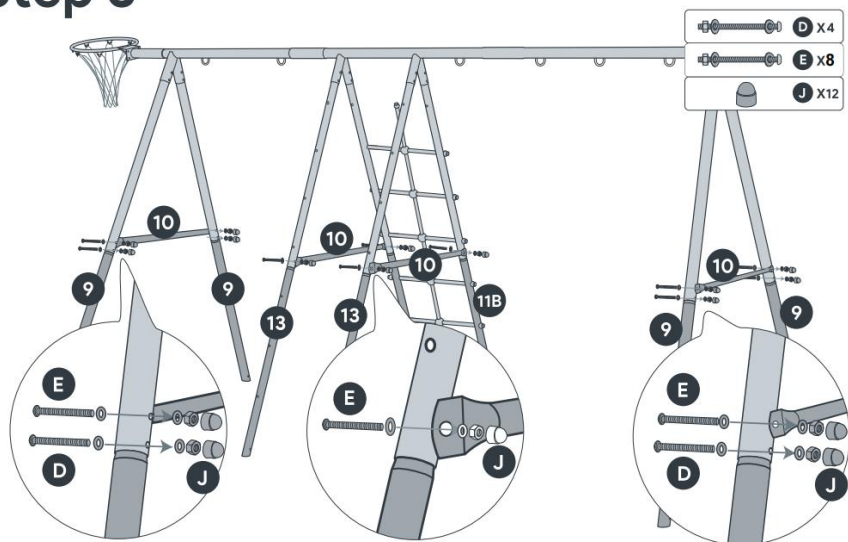
Step 2



Étape 2

- Installez les tuyaux de support supérieurs 8, 11A et 12 sur le poteau principal comme indiqué sur le schéma, fixez-les et verrouillez-les avec les vis D, et recouvrez le protège-tête J sur l'écrou.

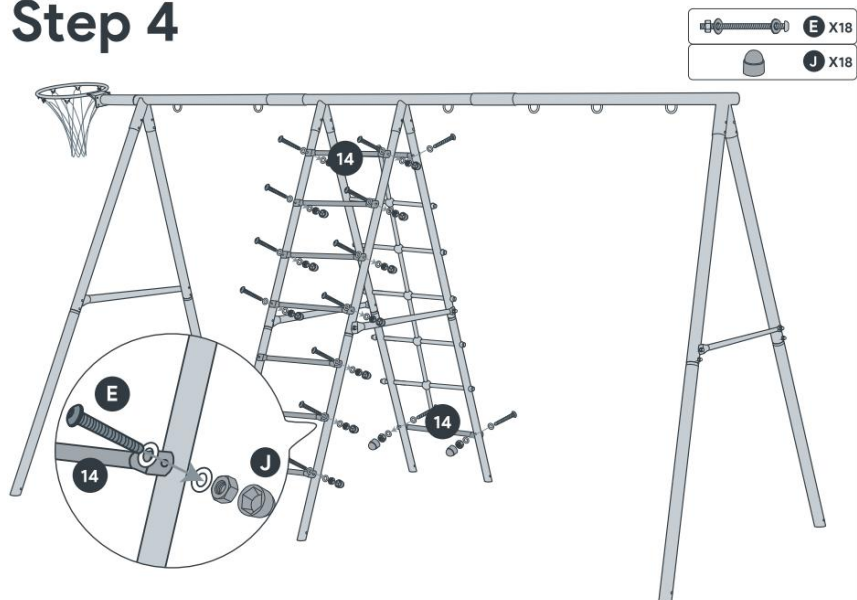
Step 3



Étape 3

Installez et connectez les tuyaux de support inférieurs 9 et 13 aux tuyaux de support supérieurs, et fixez les tuyaux de connexion de support 10 avec des vis E et des vis D comme indiqué sur la figure. Couvrez le protège-tête J sur l'écrou.

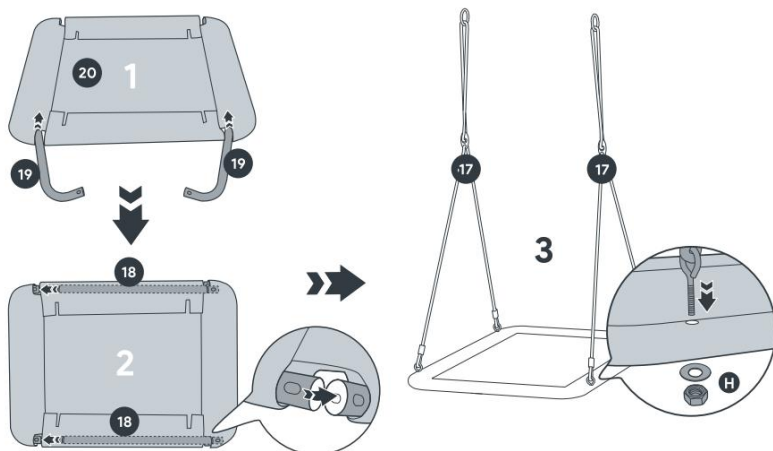
Step 4



Étape 4

Comme indiqué sur la figure, fixez la bielle de l'échelle à la tige de support de l'échelle avec des vis E et recouvrez-la d'un protège-tête J sur l'écrou.

Step 5



Étape 5

Insérez d'abord le tuyau coudé 19 dans la housse du fauteuil à suspension, puis insérez le tuyau droit 18 et connectez les tuyaux 18 et 19. Fixez-les et verrouillez-les avec des vis H.

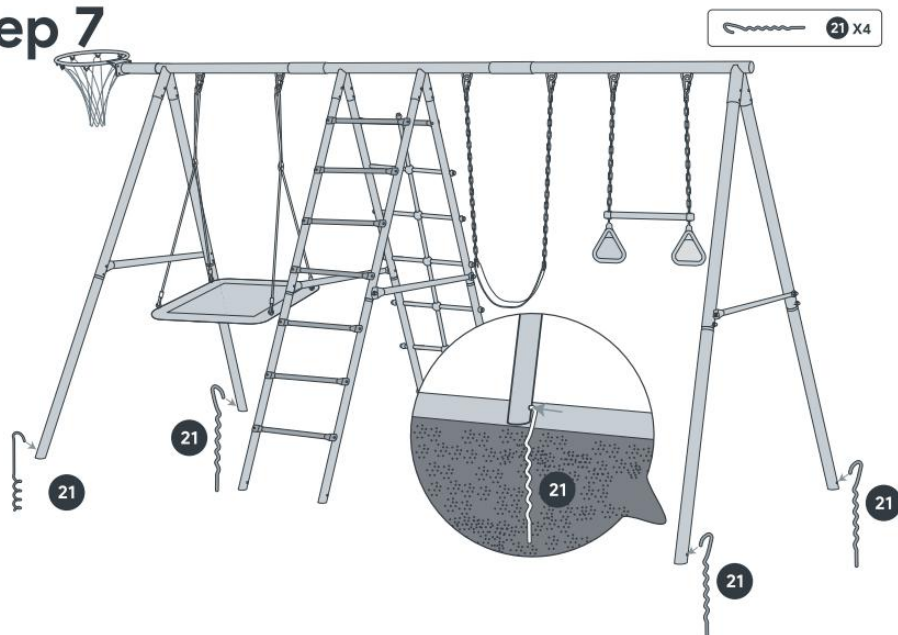
Step 6



Étape 6

Utilisez la boucle d'alpinisme « I » pour relier le fauteuil suspendu, le siège de balançoire et l'anneau de suspension au poteau principal de la balançoire.

Step 7



Étape 7

Fixez la balançoire dans le sol avec le crochet de terre 21 .

ENTRETIEN

- Vérifiez régulièrement les poteaux, les poignées et les raccords vissés pour déceler des fissures, des dommages et une fatigue du matériau. Si vous constatez des dommages, l'échafaudage ne doit pas être utilisé. Veuillez contacter votre vendeur pour remplacer les éléments endommagés par des neufs. éléments!
- N'utilisez jamais de produits de nettoyage agressifs pour nettoyage!

Élimination

L'emballage du produit est constitué de matériaux recyclables.

Éliminez-les de manière écologique.

de manière conviviale et dans les conteneurs de collecte mis à disposition.

Fabricant : FUJIAN KANGLAIBAO CO., LTD.

Adresse: NO.1, 6ÈME ROUTE INDUSTRIELLE, ZONE INDUSTRIELLE, COMTÉ DE LIAN CHENG, VILLE DE LONGYAN, PROVINCE DU FUJIAN, CHINE

Importé en Australie : SIHAO PTY LTD. 1 ROKEVA STREETESTWOOD NSW 2122 Australie.

Importé aux États-Unis : Sanven Technology Ltd. Suite 250, 9166 Anaheim Place, Rancho Cucamonga, CA 91730

EC	REP
-----------	------------

E-CrossStu GmbH
Mainzer Landstr.69, 60329
Frankfurt am Main.

UK	REP
-----------	------------

YH CONSULTING LIMITED.
C/O YH Consulting Limited Office 147,
Centurion House, London Road,
Staines-upon-Thames, Surrey, TW18 4AX

VEVOR[®]

TOUGH TOOLS, HALF PRICE

Assistance technique et certificat de garantie électronique

www.vevor.com/support

VEVOR[®]

TOUGH TOOLS, HALF PRICE

Technische ondersteuning en e-garantiecertificaat www.vevor.com/support

A-frame schommelset

S026

We continue to be committed to provide you tools with competitive price. "Save Half", "Half Price" or any other similar expressions used by us only represents an estimate of savings you might benefit from buying certain tools with us compared to the major top brands and does not necessarily mean to cover all categories of tools offered by us. You are kindly reminded to verify carefully when you are placing an order with us if you are actually saving half in comparison with the top major brands.

VEVOR[®]

TOUGH TOOLS, HALF PRICE

A-Frame Swing Set



MODEL: S026

NEED HELP? CONTACT US!

Have product questions? Need technical support? Please feel free to contact us:

Technical Support and E-Warranty Certificate
www.vevor.com/support

This is the original instruction, please read all manual instructions carefully before operating. VEVOR reserves a clear interpretation of our user manual. The appearance of the product shall be subject to the product you received. Please forgive us that we won't inform you again if there are any technology or software updates on our product.

INSTRUCTIES

Hartelijk dank dat u voor deze schommelset met A-frame hebt gekozen .

- Lees alle instructies voordat u het gebruikt. De informatie zal u helpen de best mogelijke resultaten te bereiken.

De producten in deze catalogus kunnen qua kleur afwijken van het daadwerkelijke artikel.

BELANGRIJKE VEILIGHEIDSINSTRUCTIES



READ ALL INSTRUCTIONS
BEFORE USE AND SAVE
FOR FUTURE REFERENCE



This swing set is intended for use by children age from 3 to 12 years old. Not suitable for children under 3 years old.



On site adult supervision must be provided for children of all ages and at all times.

VEILIGE SPEELRUIMTE

- **NIET** op beton, asfalt of een ander hard oppervlak. Een val op een hard oppervlak kan leiden tot ernstig letsel. Installeer het apparaat op een onverharde, stabiele ondergrond, zoals gras of een stevige laag zand.
- **NIET** op een hellende ondergrond. Hierdoor worden alle verbindingen en verbindingen extra belast, waardoor deze verbindingen losraken en falen.
- De veilige speelzone verwijst naar een zone die zich aan alle kanten 200 cm (6 ft.) voorbij de schommel uitstrekt. Installeer de bodembedekking in de veilige speelzone.
- Verwijder alle struikelgevaaren zoals stenen, stronken, wortels etc. uit de veilige speelruimte.
- De veilige speelruimte moet vrij zijn van alle constructies, hekken, garage, huis, overhangende takken, waslijnen, elektriciteitsdraden en andere obstakels om veilig spelen te garanderen.
- Kinderen moeten uit het werkgebied blijven totdat de veilige speelruimte vrij is van obstakels, de schommel volledig is geïnstalleerd, alle bevestigingsmiddelen zijn vastgedraaid en gecontroleerd en al het gereedschap is opgepakt.

VEILIG SPELEN

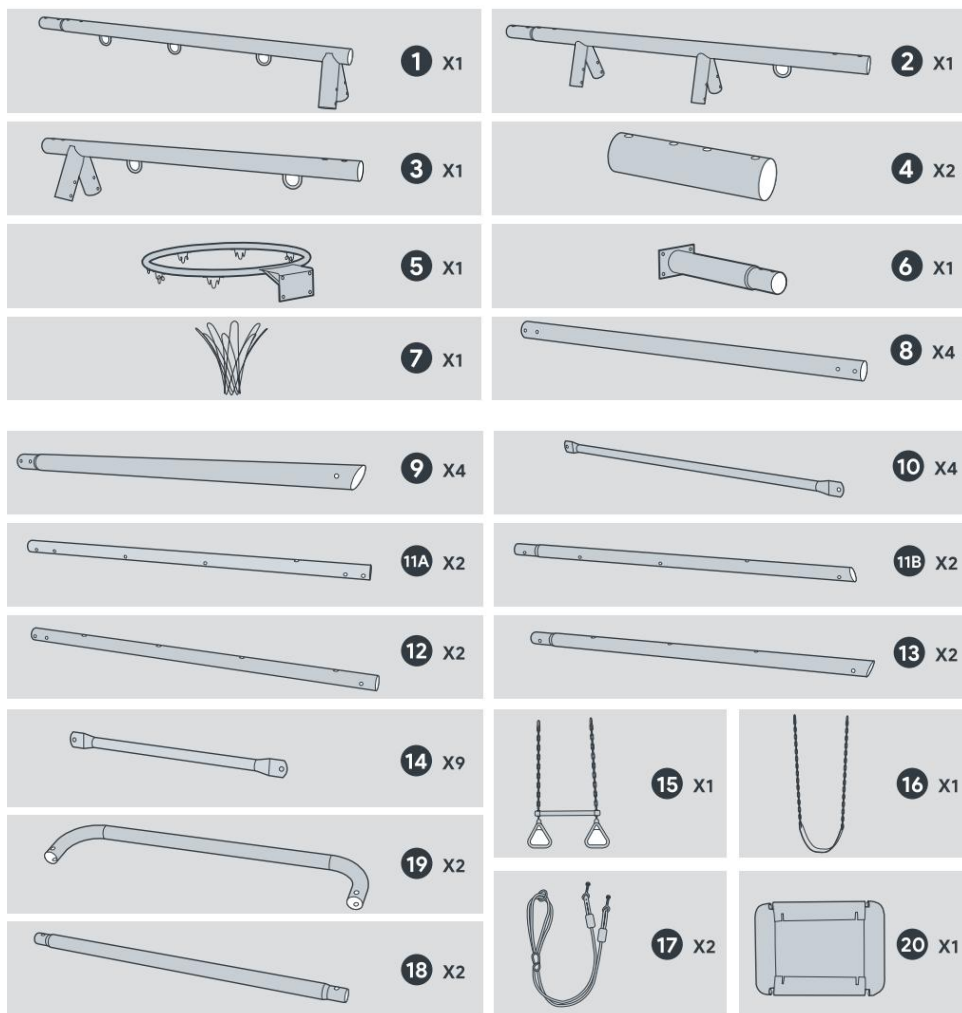
- Leer uw kinderen veilig spelen.
- Kleed kinderen op de juiste manier. Vermijd accessoires, kleding met trekkoorden, loszittende kleding en voorwerpen met touwtjes die rond de nek worden geplaatst en die verstrikt kunnen raken of blijven haken aan de uitrusting. Kleed u met goed passende schoenen die de voet volledig omsluiten op de schommel.
- Gebruik de schommel **NIET op een andere manier dan waarvoor deze bedoeld is.**
- **NIET** op natte weersomstandigheden vanwege mogelijk gladde oppervlakken.
- **NIET** en lus ze **NIET** over de bovenste steunstang, aangezien dit de sterkte van de ketting of het touw kan verminderen.
- **GEEN** extra items aan de schommel die niet specifiek zijn ontworpen voor gebruik met de schommel, inclusief (maar niet beperkt tot) waslijnen, elektrische apparaten, losse touwen of kettingen enz.

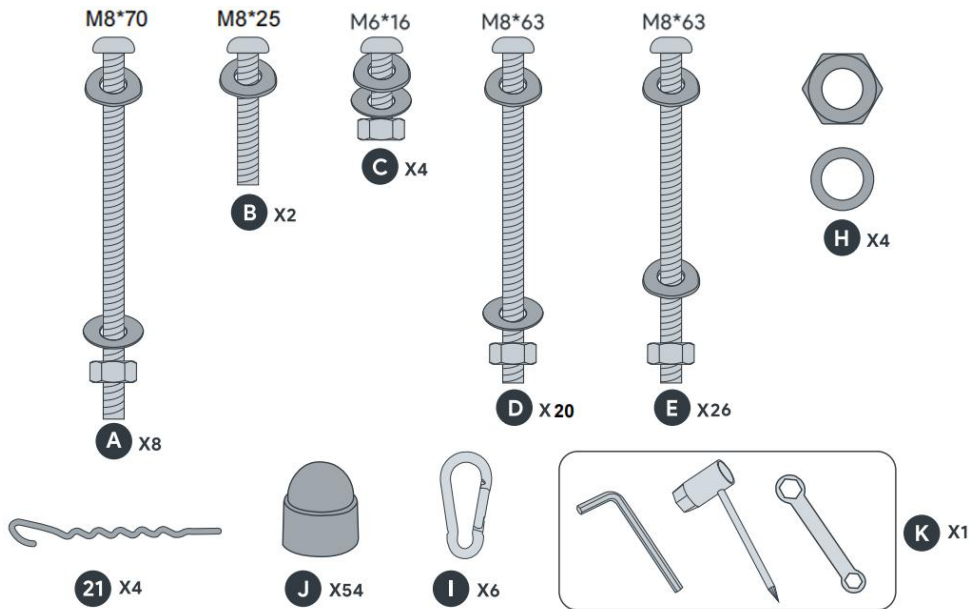
- Waarschuw kinderen dat ze **NIET** :
 - Spring van de schommel terwijl deze in beweging is
 - Zwaai een lege stoelschommel schuin
 - Hang ondersteboven aan een deel van de gymset
 - Grijp of stop een ander kind op bewegende apparatuur
 - Loop dicht bij, voor, tussen of achter bewegende voorwerpen
- Zorg ervoor dat kinderen in het midden van de schommel zitten, met hun volle gewicht op de stoel.
- Zorg ervoor dat klimtouwen of kettingen aan beide uiteinden zijn vastgemaakt en niet op zichzelf kunnen worden teruggelust.
- Alle onderdelen kunnen heet worden als ze worden blootgesteld aan direct zonlicht. Zorg ervoor dat de schommel niet heet is voordat u kinderen laat spelen.

BEWAAR DEZE INSTRUCTIES

Montage en gebruik

Onderdelen voor schommelsets

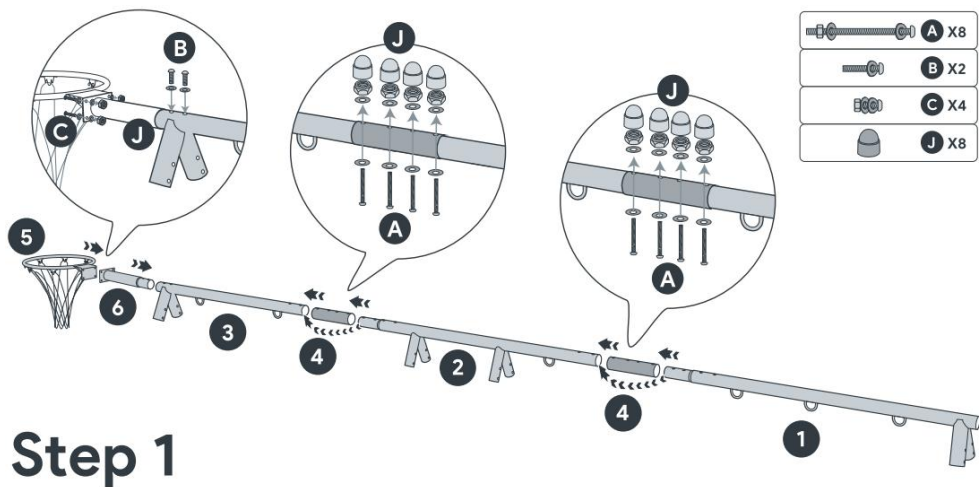




MONTEREN VAN SCHOMMELSET



Slightly tighten all parts during assembling and firmly secure after all parts are installed.

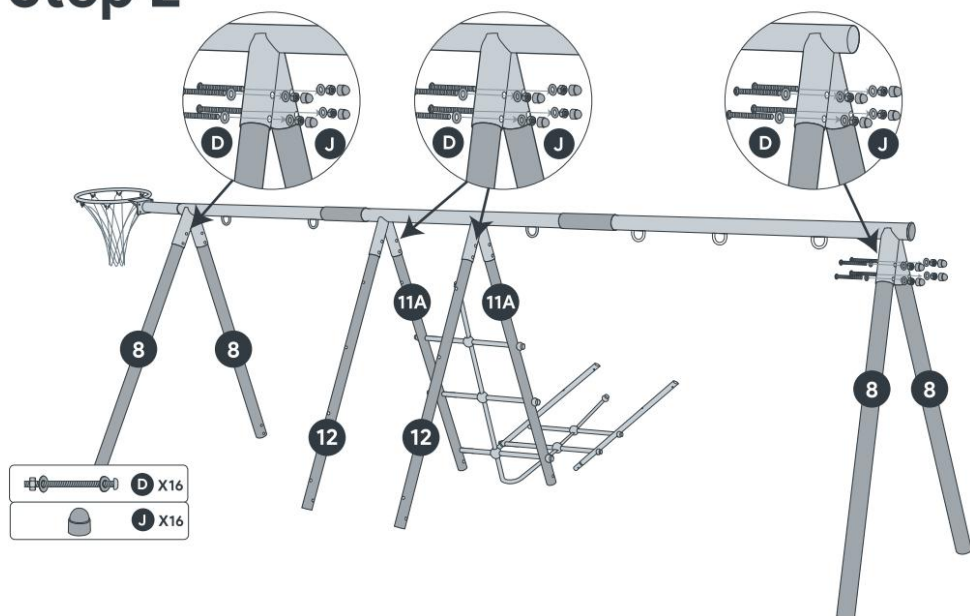


Step 1

Stap 1

21. Installeer de ring op buis 6, zet deze vast met schroef C en plaats de J- hoofdbeschermer op de moer.
22. Verbind buis 6 en buis 3 en zet ze vast met schroef B.
23. Sluit de leidingen 3, 4 en 2 aan, zet ze vast met schroef A en plaats de J-hoofdbeschermer op de moer.
24. Sluit de leidingen 2, 4 en 1 aan, zet ze vast met schroef A en plaats de J-hoofdbeschermer op de moer .

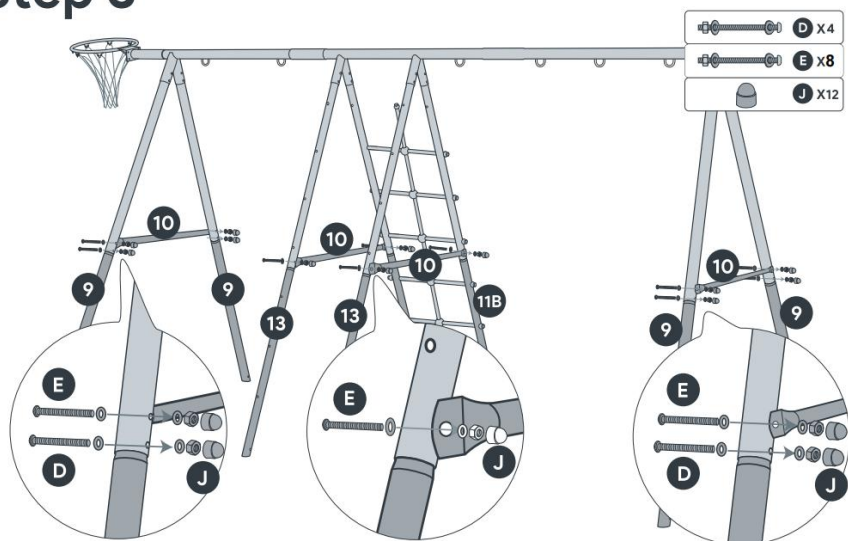
Step 2



Stap 2

Installeer de bovenste steunpijpen 8, 11A en 12 op de hoofdpaal zoals weergegeven in het diagram, bevestig en vergrendel ze met schroeven D, en bedek de hoofdbeschermer J op de moer.

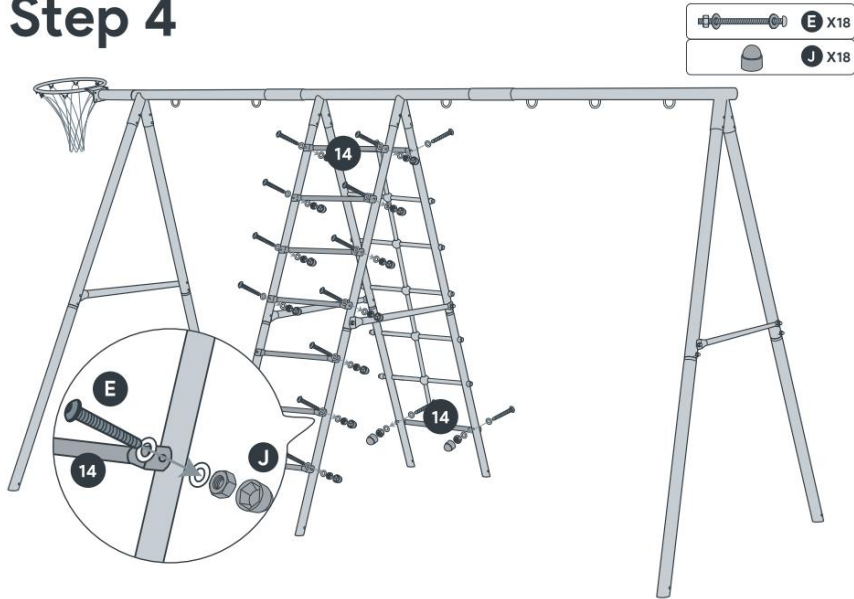
Step 3



Stap 3

de onderste steunpijpen 9 en 13 aan op de bovenste steunpijpen, en bevestig de steunverbindingspijpen 10 met E-schroeven en D-schroeven zoals weergegeven in de afbeelding .

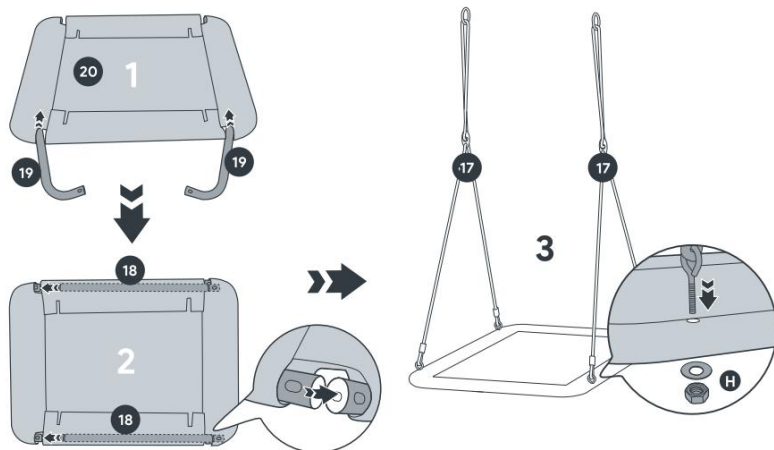
Step 4



Stap 4

Bevestig, zoals weergegeven in de afbeelding, de ladderverbindingsstang aan de laddersteunstang met E-schroeven en bedek deze met een hoofdbeschermer J op de moer.

Step 5



Stap 5

Steek eerst de bochtbuis 19 in de hoes van de hangstoel, steek vervolgens de rechte buis 18 erin en sluit de buizen 18 en 19 aan. Zet ze vast en zet ze vast met H-schroeven.

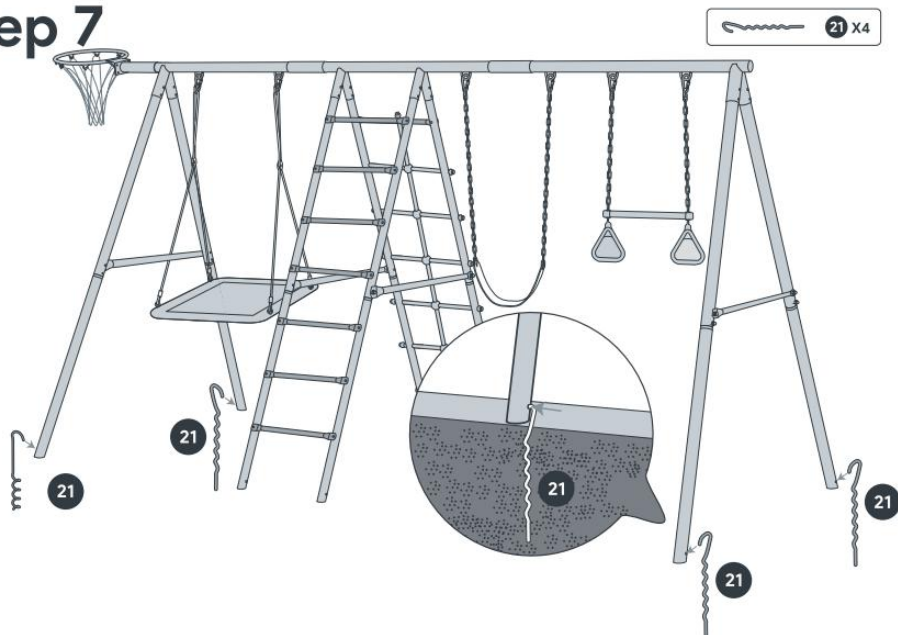
Step 6



Stap 6

Gebruik de berggesp “ I ” om de hangstoel, het schommelzitzje en de ophanging aan de hoofdschommelpaal te bevestigen.

Step 7



Stap 7

Bevestig de schommel in de grond met de grondhaak 21 .

ONDERHOUD

- Controleer de palen, handgrepen en schroefverbindingen regelmatig op scheuren, beschadigingen en materiaalmoetheid. Als u schade constateert, mag de steiger niet worden gebruikt. Neem contact op met uw verkoper om de beschadigde artikelen te vervangen door nieuwe. Gebruik alleen originele vervanging elementen!
- Gebruik nooit agressieve schoonmaakmiddelen voor schoonmaak!

Beschikbaarheid

De productverpakking bestaat uit recycleerbare materialen. Gooi deze op een milieuvriendelijke manier weg vriendelijke wijze en in de daarvoor bestemde inzamelcontainers.

Fabrikant: FUJIAN KANGLAIBAO CO., LTD.

Adres: NR 1, INDUSTRIËLE 6E WEG, INDUSTRIEEL GEBIED,
LIAN CHENG COUNTY, LONGYAN STAD, PROVINCIE FUJIAN,
CHINA

Geïmporteerd naar AUS: SIHAO PTY LTD 1 ROKEVA
STREETEASTWOOD NSW 2122 Australië

Geïmporteerd naar de VS: Sanven Technology Ltd. Suite 250,
9166 Anaheim Place, Rancho Cucamonga, CA 91730

EC	REP
-----------	------------

E-CrossStu GmbH
Mainzer Landstr.69, 60329
Frankfurt am Main.

UK	REP
-----------	------------

YH CONSULTING LIMITED.
C/O YH Consulting Limited Office 147,
Centurion House, London Road,
Staines-upon-Thames, Surrey, TW18 4AX

VEVOR[®]

TOUGH TOOLS, HALF PRICE

Technische ondersteuning en e-garantiecertificaat

www.vevor.com/support

VEVOR[®]

TOUGH TOOLS, HALF PRICE

Teknisk support och e-garanticertifikat www.vevor.com/support

A-Frame gungsats

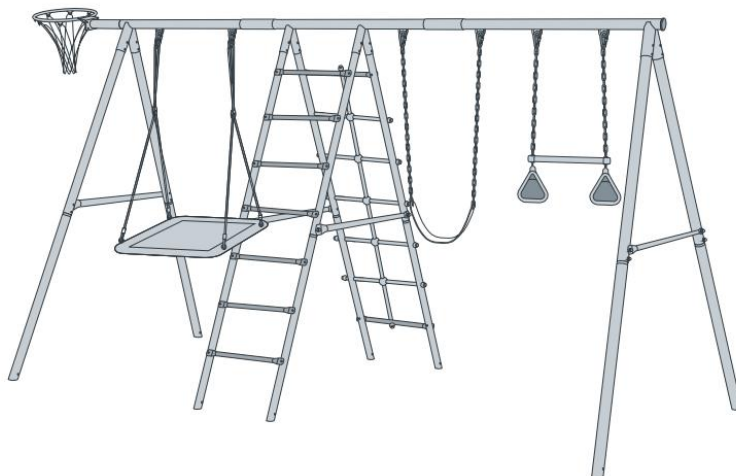
S026

We continue to be committed to provide you tools with competitive price. "Save Half", "Half Price" or any other similar expressions used by us only represents an estimate of savings you might benefit from buying certain tools with us compared to the major top brands and does not necessarily mean to cover all categories of tools offered by us. You are kindly reminded to verify carefully when you are placing an order with us if you are actually saving half in comparison with the top major brands.

VEVOR[®]

TOUGH TOOLS, HALF PRICE

A-Frame Swing Set



MODELL: S026

NEED HELP? CONTACT US!

Have product questions? Need technical support? Please feel free to contact us:

Technical Support and E-Warranty Certificate
www.vevor.com/support

This is the original instruction, please read all manual instructions carefully before operating. VEVOR reserves a clear interpretation of our user manual. The appearance of the product shall be subject to the product you received. Please forgive us that we won't inform you again if there are any technology or software updates on our product.

INSTRUKTIONER

Tack så mycket för att du valde detta A-Frame swingset .

- Läs alla instruktioner innan du använder den. Informationen hjälper dig att uppnå bästa möjliga resultat.

Produkterna i denna katalog kan ha en annan färg än den faktiska artikeln.

VIKTIGA SÄKERHETS INSTRUKTIONER



READ ALL INSTRUCTIONS
BEFORE USE AND SAVE
FOR FUTURE REFERENCE



This swing set is intended for use by children age from 3 to 12 years old. Not suitable for children under 3 years old.



On site adult supervision must be provided for children of all ages and at all times.

SÄKERT LEKOMRÅDE

- **INTE** gungställningen över betong, asfalt eller någon annan hård yta. Ett fall på en hård yta kan resultera i allvarliga skador.
- **INTE** gungställningen på sluttande underlag. Denna lutning lägger ytterligare belastning på alla anslutningar och leder och gör att anslutningarna lossnar och går sönder.
- Det säkra lekområdet hänvisar till en zon som sträcker sig 200 cm utanför gungställningen på alla sidor. Installera markskyddet i den säkra lekzonen.
- Ta bort alla snubbelrisker såsom stenar, stubbar, rötter etc. från det säkra lekområdet.
- Det säkra lekområdet måste vara fritt från alla strukturer, staket, garage, hus, överhängande grenar, tvättlinor, elektriska ledningar och andra hinder för att säkerställa säker lek.
- Barn bör hålla sig utanför arbetsområdet tills det säkra lekområdet är fritt från hinder, gungställningen har installerats helt, all hårdvara har dragits åt och kontrollerats och alla verktyg har plockats upp.

SÄKER SPEL

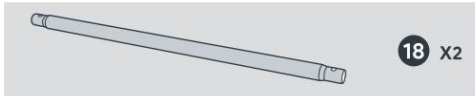
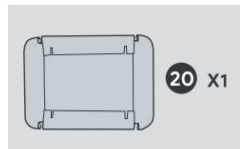
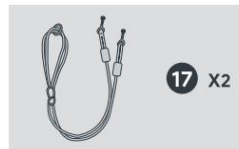
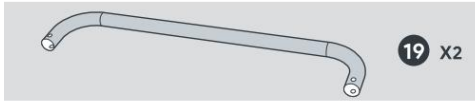
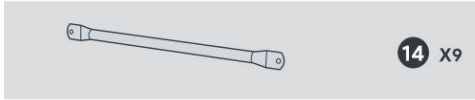
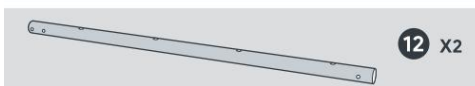
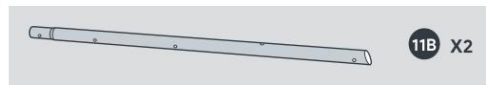
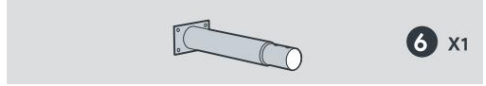
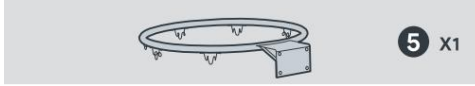
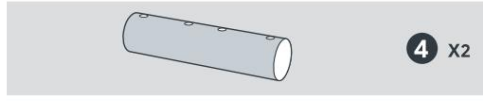
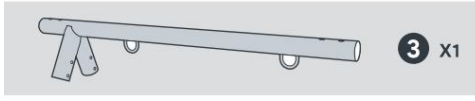
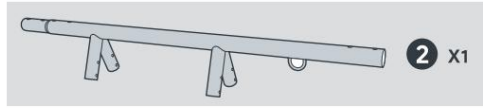
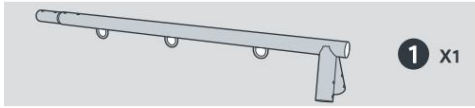
- Lär dina barn att leka säkert.
- Klä barn på lämpligt sätt. Undvik tillbehör, kläder med dragsko, löst sittande kläder runt halsen, som kan fastna i utrustningen på gungställningen.
- **INTE** gungställningen på något annat sätt än avsett.
- **INTE** i våta väderförhållanden på grund av potentiellt hala ytor.
- **INTE** svängkedjor eller rep eller ögla dem över den övre stödstången eftersom det kan minska styrkan på kedjan eller repet.
- **INTE** extra föremål på gungställningen som inte är specifikt utformade för användning med gungställningen, inklusive (men inte begränsat till) klädlinor, elektriska apparater, lösa rep eller kedjor etc.

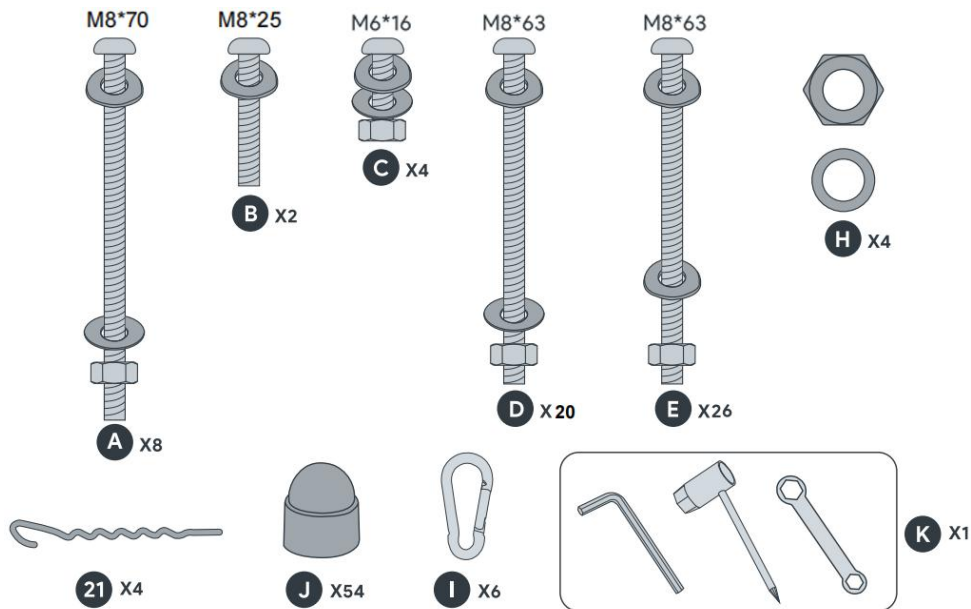
- Varning för barn att **INTE** :
 - Hoppa av gungan medan den är i rörelse
 - Sväng en tom sitsgunga i vinkel
 - Häng upp och ner från valfri del av gymset
 - Ta tag i eller stoppa ett annat barn på någon rörlig utrustning
 - Gå nära, framför, mellan eller bakom rörliga föremål
- Varning för barn att sitta i mitten av gungan med sin fulla vikt på sätet.
- Se till att klätterrep eller kedjor är säkrade i båda ändarna och inte kan loopas tillbaka på sig själv.
- Alla komponenter kan bli varma när de utsätts för direkt solljus Se till att gungställningen inte är varm innan du låter barn leka.

SPARA DESSA INSTRUKTIONER

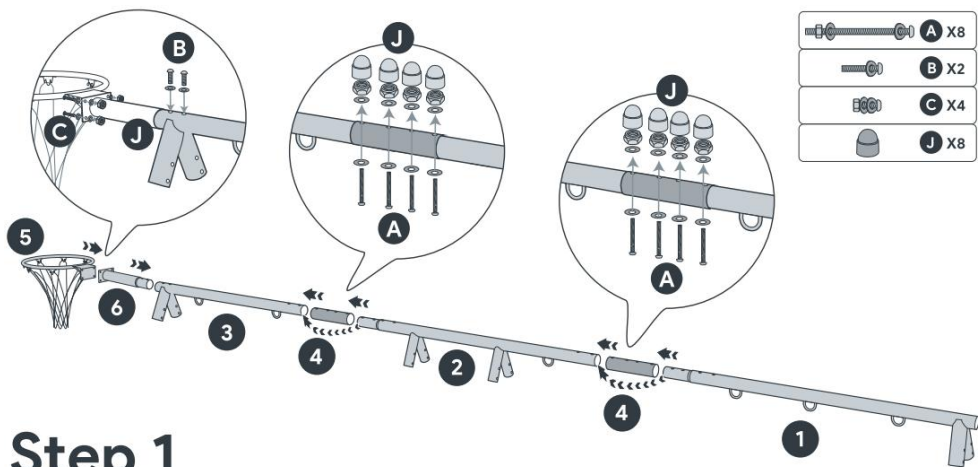
Montering och användning

Swing Set delar





MONTERING AV GUNGSTÄLL



Steg 1

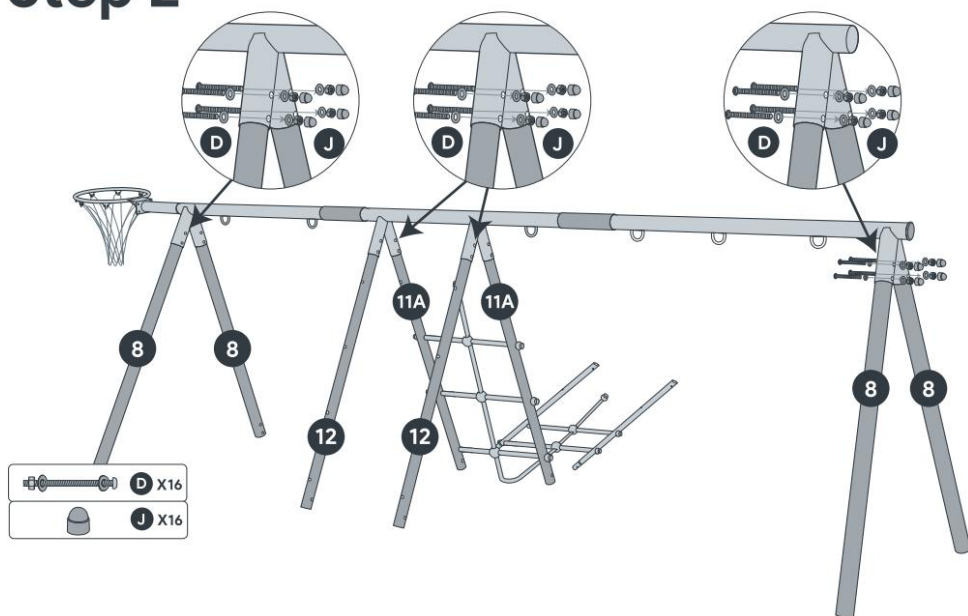
25. Montera bågen på rör 6, lås den med skruv C och placera J-huvudskyddet på muttern.

26. Anslut rör 6 och rör 3 och lås dem med skruv B.

27. Anslut rör 3, 4 och 2, lås dem med skruv A och placera J-huvudskyddet på muttern.

28. Anslut rör 2, 4 och 1, lås dem med skruv A och placera J-huvudskyddet på muttern .

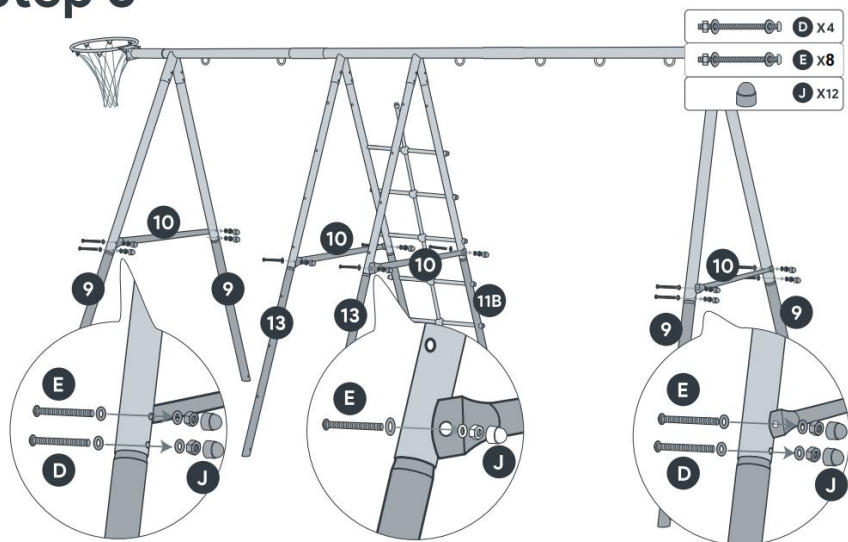
Step 2



Steg 2

Installera de övre stödrören 8, 11A och 12 på huvudstolpen som visas i diagrammet, fixera och lås dem med skruvarna D och täck över huvudskyddet J på muttern.

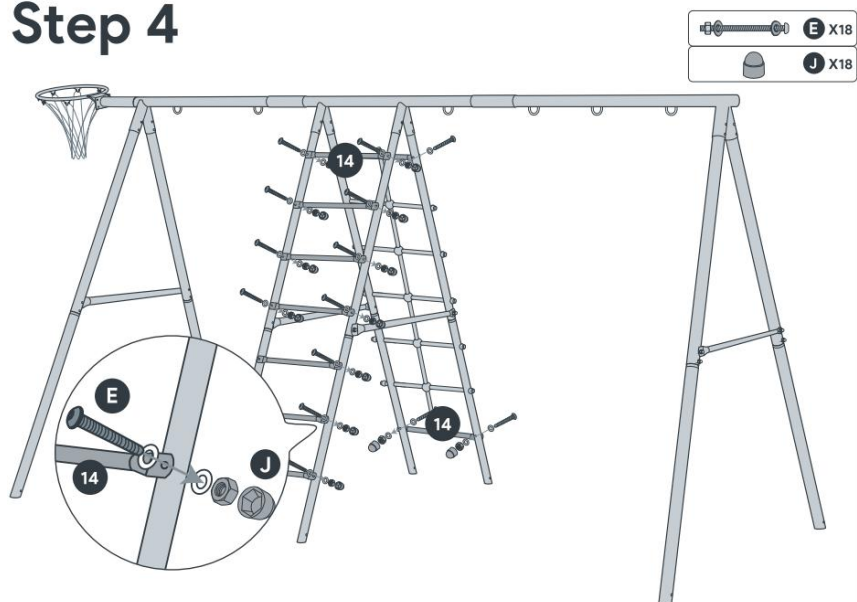
Step 3



Steg 3

Montera och anslut de nedre stödrören 9 och 13 till de övre stödrören, och fäst stödanslutningsrören 10 med E-skruvar och D-skruvar som visas i figuren. Täck huvudskyddet J på muttern.

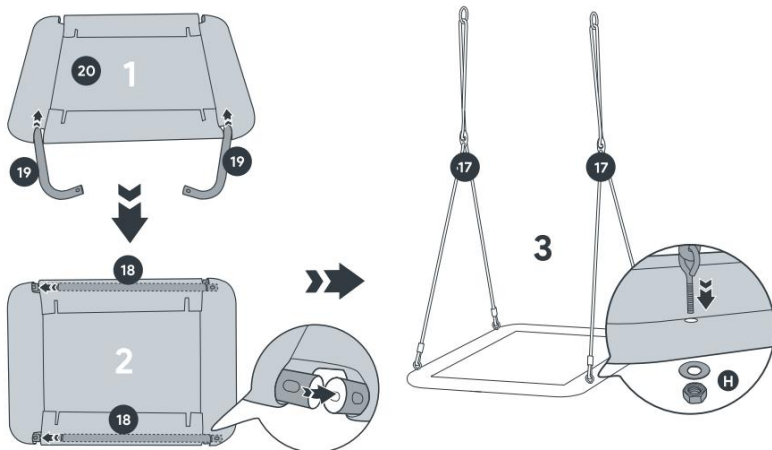
Step 4



Steg 4

Som visas i figuren, fäst stegens vevstång på stegens stödstång med E-skrivar och täck den med ett huvudskydd J på muttern.

Step 5



Steg 5

För först in böjröret 19 i upphängningsstolens lock, sätt sedan in rakt rör 18 och anslut rören 18 och 19. Säkra och lås dem med H-skrivar.

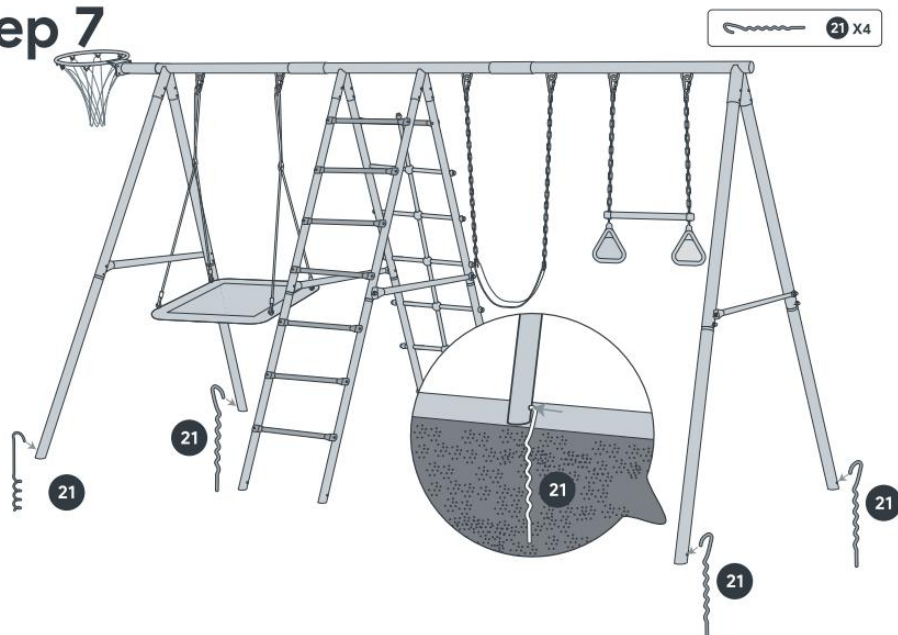
Step 6



Steg 6

Använd bergklättringsspännet " I " för att ansluta hängstolen, gungstolen och upphängningsringen till huvudsvingstängan.

Step 7



Steg 7

Fäst gungan i jorden med markkroken 21 .

UNDERHÅLL

- Kontrollera regelbundet stolpar, handtag och skruvförband med avseende på sprickor, skador och materialutmattnings element!
- Använd aldrig aggressiva rengöringsmedel för rengöring!

Förfogande

Produktförpackningen består av återvinningsbart material vänligt sätt och i de uppsamlingskärl som tillhandahålls.

Tillverkare: FUJIAN KANGLAIBAO CO., LTD.

Adress: NO.1, INDUSTRIAL 6TH-ROAD, INDUSTRIAL AREA,
LIAN CHENG COUNTY, LONGYAN CITY, FUJIAN PROVINCE,
KINA

Importerad till AUS: SIHAO PTY LTD 1 ROKEVA
STREETEASTWOOD NSW 2122 Australien

Importerad till USA: Sanven Technology Ltd. Suite 250, 9166
Anaheim Place, Rancho Cucamonga, CA 91730

EC	REP
-----------	------------

E-CrossStu GmbH
Mainzer Landstr.69, 60329
Frankfurt am Main.

UK	REP
-----------	------------

YH CONSULTING LIMITED.
C/O YH Consulting Limited Office 147,
Centurion House, London Road,
Staines-upon-Thames, Surrey, TW18 4AX

VEVOR[®]

TOUGH TOOLS, HALF PRICE

Teknisk support och e-garanticertifikat

www.vevor.com/support

VEVOR[®]

TOUGH TOOLS, HALF PRICE

Soporte técnico y certificado de garantía electrónica www.vevor.com/support

Juego de columpios con estructura en A S026

We continue to be committed to provide you tools with competitive price. "Save Half", "Half Price" or any other similar expressions used by us only represents an estimate of savings you might benefit from buying certain tools with us compared to the major top brands and does not necessarily mean to cover all categories of tools offered by us. You are kindly reminded to verify carefully when you are placing an order with us if you are actually saving half in comparison with the top major brands.

VEVOR[®]

TOUGH TOOLS, HALF PRICE

A-Frame Swing Set



MODELO: S026

NEED HELP? CONTACT US!

Have product questions? Need technical support? Please feel free to contact us:

Technical Support and E-Warranty Certificate
www.vevor.com/support

This is the original instruction, please read all manual instructions carefully before operating. VEVOR reserves a clear interpretation of our user manual. The appearance of the product shall be subject to the product you received. Please forgive us that we won't inform you again if there are any technology or software updates on our product.

INSTRUCCIONES

Muchas gracias por elegir este juego de columpios con estructura en A.

- Lea todas las instrucciones antes de usarlo. La información le ayudará a lograr los mejores resultados posibles.

Los productos incluidos en este catálogo pueden tener un color diferente al del artículo real.

INSTRUCCIONES DE SEGURIDAD IMPORTANTES



READ ALL INSTRUCTIONS
BEFORE USE AND SAVE
FOR FUTURE REFERENCE



This swing set is intended for use by children age from 3 to 12 years old. Not suitable for children under 3 years old.



On site adult supervision must be provided for children of all ages and at all times.

ÁREA DE JUEGO SEGURA

- **NO** instale el columpio sobre concreto, asfalto o cualquier otra superficie dura. Una caída sobre una superficie dura puede provocar lesiones graves. Instálolo sobre una superficie firme sin pavimentar, como césped o una capa sólida de arena.
- **NO** instale el columpio en un terreno inclinado. Esta inclinación genera tensión adicional en todas las conexiones y uniones y además hace que esas conexiones se aflojen y fallen.
- El área de juego segura se refiere a una zona que se extiende 6 pies (200 cm) más allá del columpio en todos los lados. Instale la cubierta del suelo en la zona de juego segura.
- Retire todos los peligros de tropiezo, como piedras, tocones, raíces, etc., del área de juego segura.
- El área de juego segura debe estar libre de estructuras, cercas, garajes, casas, ramas colgantes, tendederos, cables eléctricos y otros obstáculos para garantizar un juego seguro.
- Los niños deben permanecer fuera del área de trabajo hasta que se eliminen los obstáculos del área de juego segura, se haya instalado completamente el

columpio, se hayan apretado y revisado todos los herrajes y se hayan recogido todas las herramientas.

JUEGO SEGURO

- Enseña a tus hijos a jugar con seguridad.
- Vista a los niños adecuadamente. Evite accesorios, ropa con cordones, ropa holgada y artículos con cordones colocados alrededor del cuello, que podrían enredarse o engancharse en el equipo. Vístase con calzado que le quede bien y que cubra los pies. También se deben quitar los cascos de bicicleta antes de jugar. en el columpio.
- **NO** utilice el columpio de ninguna otra manera que no sea la prevista.
- **NO** juegue en condiciones climáticas húmedas debido a las superficies potencialmente resbaladizas.
- **NO** retuerza las cadenas o cuerdas del columpio ni las pase por encima de la barra de soporte superior, ya que esto puede reducir la resistencia de la cadena o la cuerda.
- **NO** coloque elementos adicionales en el columpio que no estén diseñados específicamente para usarse con el columpio, incluidos (entre otros) tendederos, dispositivos eléctricos, cuerdas o cadenas sueltas, etc.

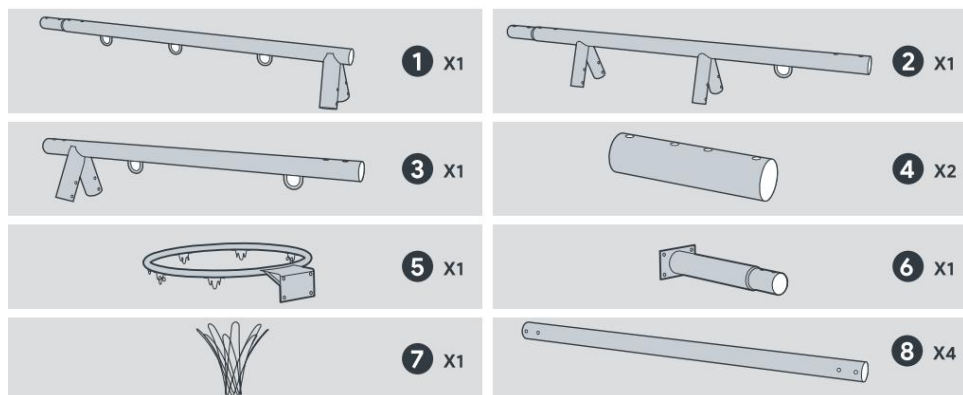
- Advierta a los niños que **NO** :
 - Salta del columpio mientras está en movimiento.
 - Balancee un asiento vacío en ángulo
 - Colgar boca abajo de cualquier parte del set de gimnasio.
 - Agarrar o detener a otro niño en cualquier equipo en movimiento.
 - Camine cerca, delante, entre o detrás de objetos en movimiento.
- Advierta a los niños que se sienten en el centro del columpio con todo su peso sobre el asiento.
- Asegúrese de que las cuerdas o cadenas para escalar estén aseguradas en ambos extremos y no puedan enrollarse sobre sí mismas.
- Todos los componentes pueden calentarse cuando se exponen a la

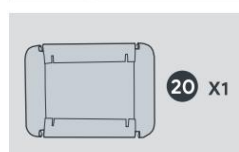
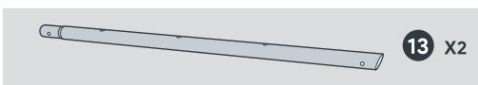
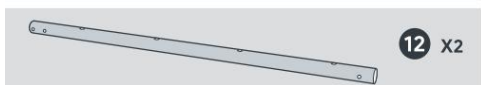
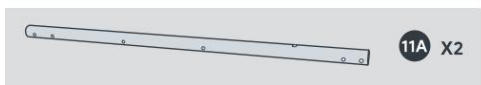
luz solar directa. Asegúrese de que el columpio no esté caliente antes de permitir que los niños jueguen.

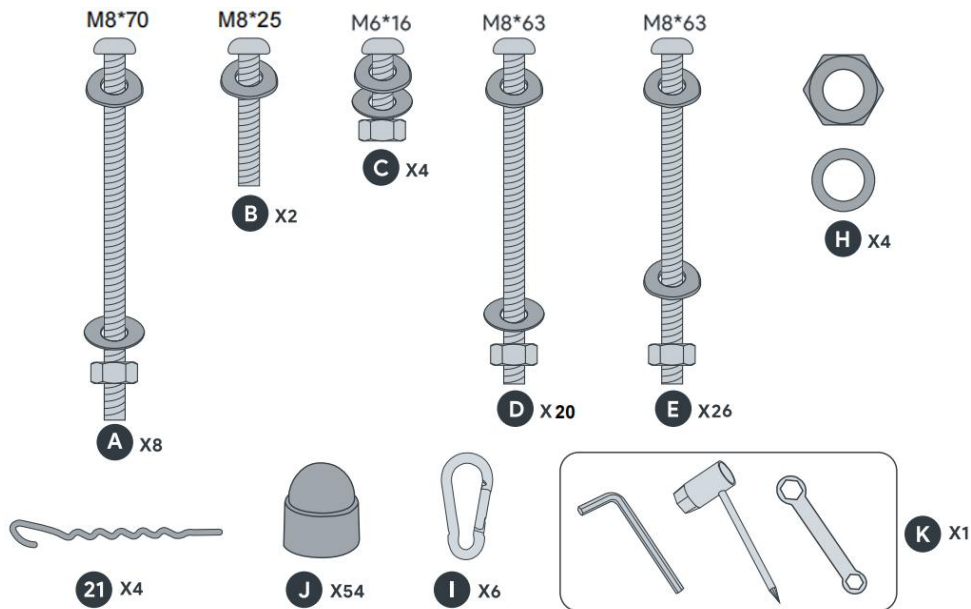
GUARDA ESTAS INSTRUCCIONES

Montaje y uso

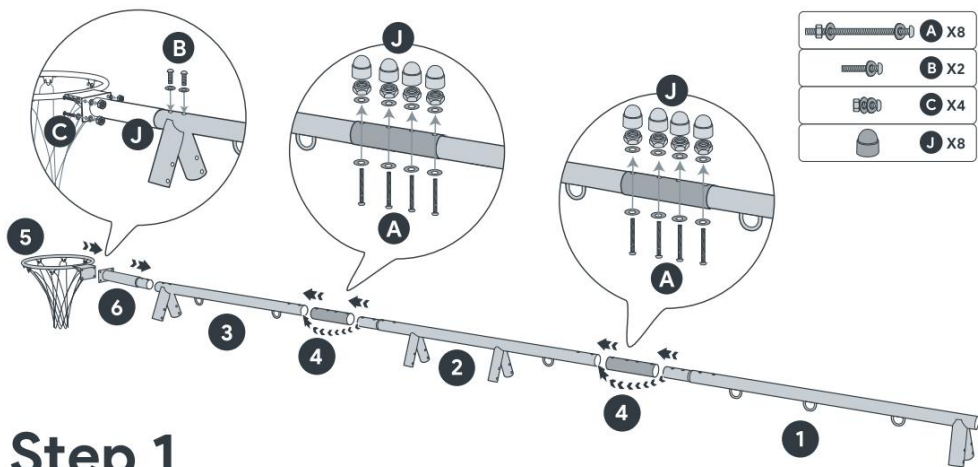
Piezas del columpio







MONTAJE DEL COLUMPIO



Paso 1

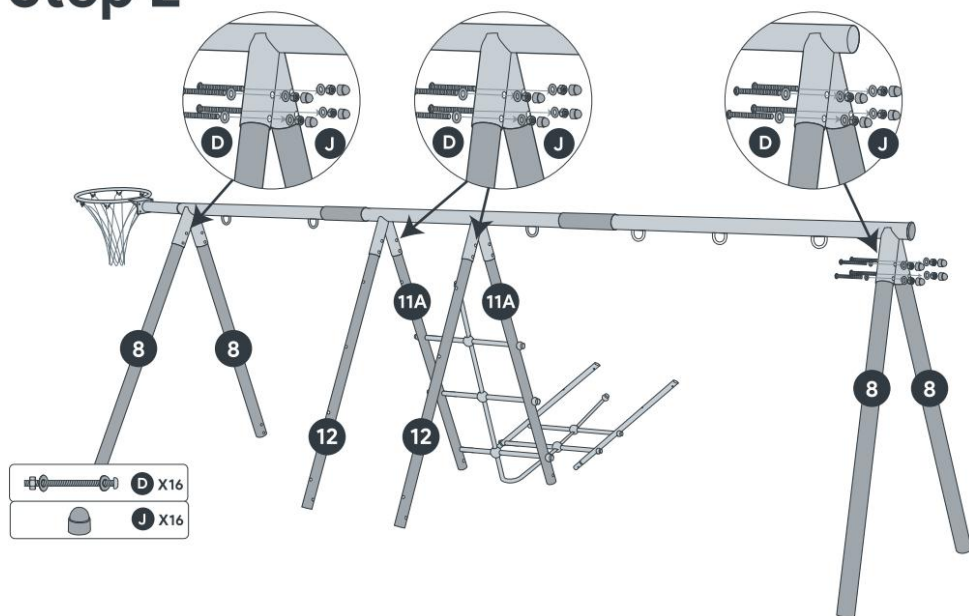
29. Instale el aro en el tubo 6, fíjelo con el tornillo C y coloque el protector del cabezal J en la tuerca.

30. Conecte el tubo 6 y el tubo 3 y bloquéelos con el tornillo B.

31. Conecte los tubos 3, 4 y 2, asegúrelos con el tornillo A y coloque el protector del cabezal J en la tuerca.

32. Conecte los tubos 2, 4 y 1, asegúrelos con el tornillo A y coloque el protector del cabezal J en la tuerca .

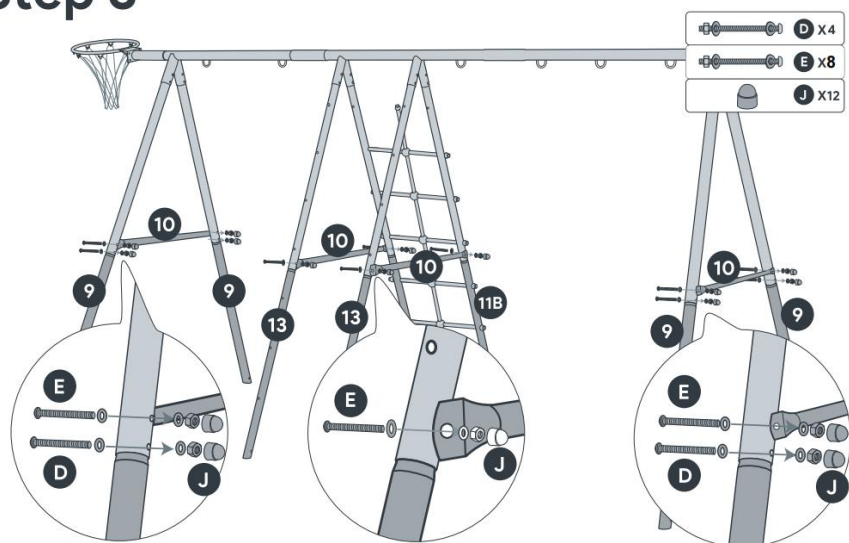
Step 2



Paso 2

Instale los tubos de soporte superiores 8, 11A y 12 en el poste principal como se muestra en el diagrama, fíjelos y asegúrelos con los tornillos D y cubra el protector de la cabeza J con la tuerca.

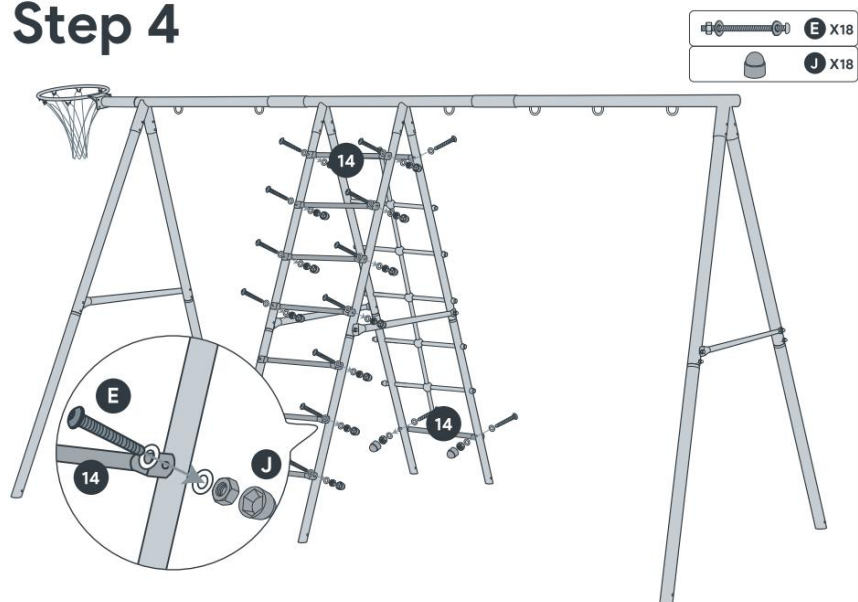
Step 3



Paso 3

Instale y conecte los tubos de soporte inferiores 9 y 13 a los tubos de soporte superiores y fije los tubos de conexión de soporte 10 con tornillos E y tornillos D como se muestra en la figura. Cubra el protector del cabezal J en la tuerca.

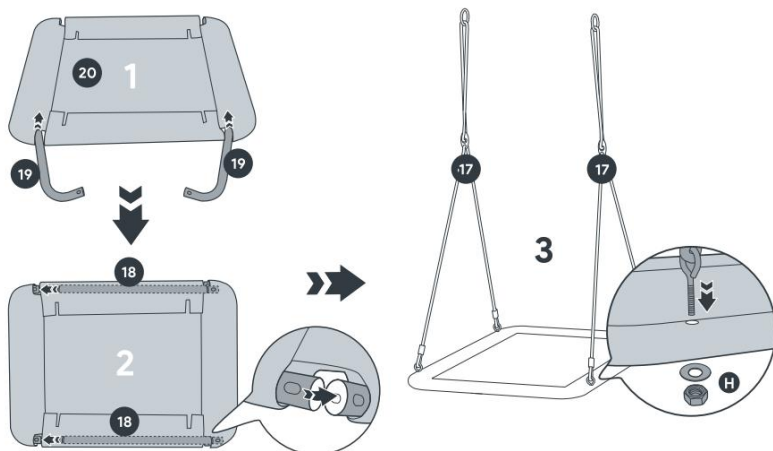
Step 4



Etapa 4

Como se muestra en la figura, fije la biela de la escalera a la varilla de soporte de la escalera con tornillos E y cúbrala con un protector de cabeza J en la tuerca.

Step 5



Paso 5

Primero, inserte el tubo curvo 19 en la funda de la silla colgante, luego inserte el tubo recto 18 y conecte los tubos 18 y 19. Asegúrelos y bloquéelos con tornillos H.

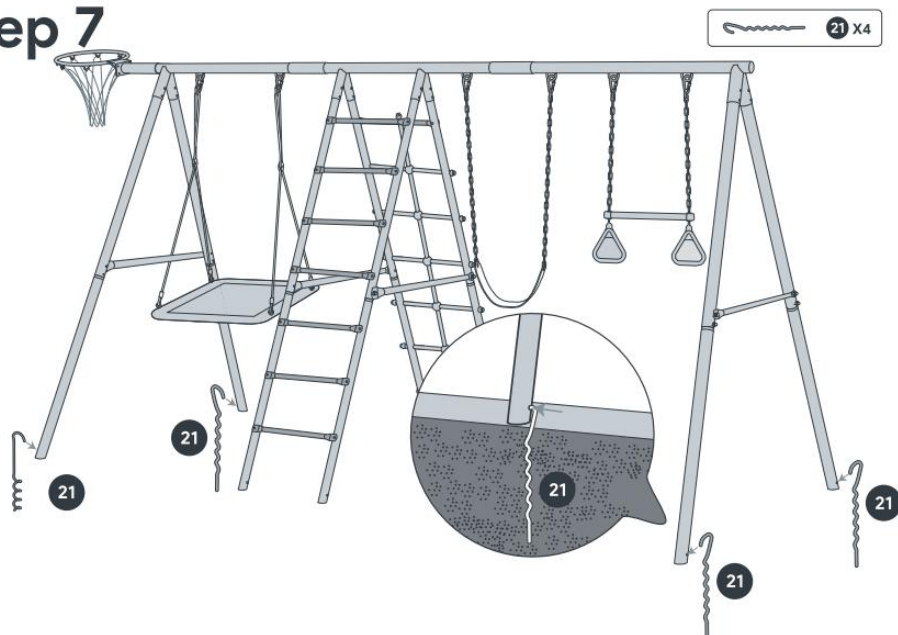
Step 6



Paso6

Utilice la hebilla de montañismo “ I ” para conectar la silla colgante, el asiento del columpio y el anillo de suspensión al poste principal del columpio.

Step 7



Paso 7

Fije el columpio en el suelo con el gancho para el suelo 21 .

MANTENIMIENTO

- Compruebe periódicamente los postes, las manijas y las conexiones roscadas para detectar grietas, daños y fatiga del material. Si descubre algún daño, no debe utilizar el andamio para reemplazar los elementos dañados por otros nuevos. ¡elementos!
- Nunca utilice agentes de limpieza agresivos para ¡limpieza!

Desecho

El embalaje del producto está compuesto por materiales reciclables. Deséchelos de forma respetuosa con el medio ambiente. manera amigable y en los contenedores de recolección provistos.

Fabricante: FUJIAN KANGLAIBAO CO., LTD.

DIRECCIÓN: NO.1, INDUSTRIAL 6TH-ROAD, ZONA INDUSTRIAL,
CONDADO DE LIAN CHENG, CIUDAD DE LONGYAN,
PROVINCIA DE FUJIAN, CHINA

Importado a AUS: SIHAO PTY LTD. 1 ROKEVA
STREETEASTWOOD NSW 2122 Australia

Importado a EE. UU.: Sanven Technology Ltd. Suite 250, 9166
Anaheim Place, Rancho Cucamonga, CA 91730

EC	REP
-----------	------------

E-CrossStu GmbH
Mainzer Landstr.69, 60329
Frankfurt am Main.

UK	REP
-----------	------------

YH CONSULTING LIMITED.
C/O YH Consulting Limited Office 147,
Centurion House, London Road,
Staines-upon-Thames, Surrey, TW18 4AX

VEVOR[®]

TOUGH TOOLS, HALF PRICE

Soporte técnico y certificado de garantía electrónica

www.vevor.com/support