

Glass Door Refrigerator  
Commercial Refrigeration Range

# User Manual



To ensure safe operation, please read this instruction manual thoroughly before use.

## Welcome to your new chiller

Thank you for buying this commercial chiller. It has been designed and manufactured for many years of trouble-free service.

Operation is very simple, but please take a few minutes to read this booklet. It contains safety information and tips to ensure you receive from your chiller.



### **WARNING: RISK OF ELECTRICAL SHOCK HAZARD**

**USERS IN EUROPE** This unit must be earthed.

If the power cable is damaged, it must be replaced by the manufacturer, its service agent or similarly qualified persons in order to avoid hazard. Ensure that the appliance is properly earthed. Stop using the appliance immediately if electric shock is felt when touching the chiller.

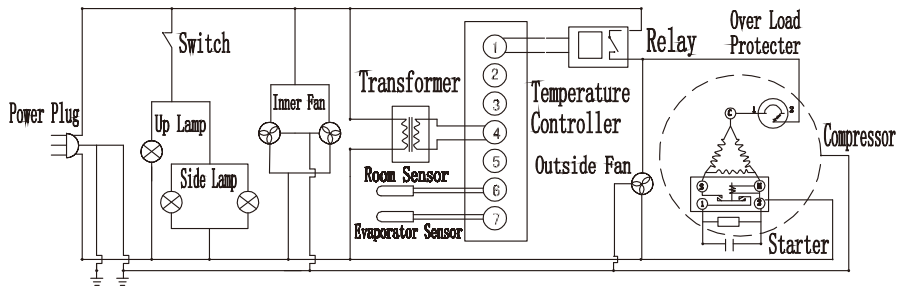
## DISPOSAL OF OLD APPLIANCES

**BE SURE TO MAKE ANY LOCKS UNUSABLE, REMOVE ANY DOOR(S) AND DISCARD SEPARATELY.**

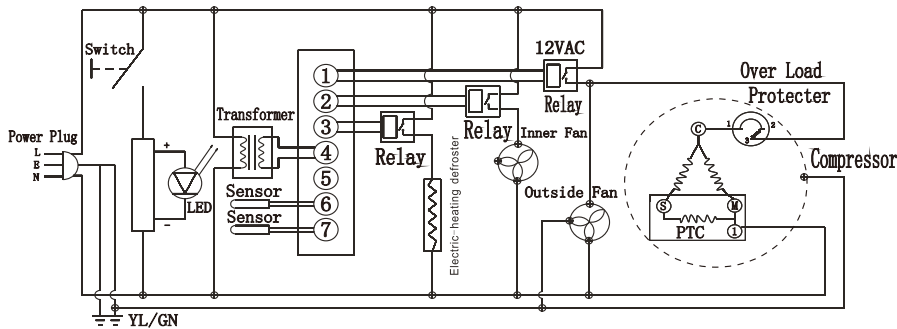
**WARNING-CHEMICAL HAZARD: DO NOT ALLOW CHILDREN TO PLAY WITH THE OLD APPLIANCE. CONTACT YOUR LOCAL AUTHORITY FOR DISPOSAL PROCEDURES.**

Before disposing of an old appliance, please make sure it is switched off and safe. Unplug the appliance and break any locks in order to avoid children becoming trapped.

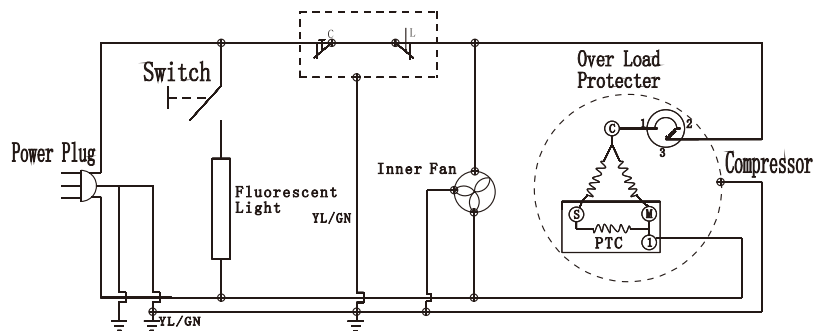
Model: Upright double door, fluorescent light (C8 , C10)



Model: Undercounter froster single/double door, LED Light (GF1 , GF2)



Model: Upright single door chiller, fluorescent light (C300(NH) , C400 (NH))



Please note: the refrigeration system contains gas and refrigerants which require specialist waste disposal. The valuable materials in a refrigerator can be recycled. Contact your local waste disposal depot for proper disposal of an old appliance and contact your local authority or dealer if you have any questions.

Please ensure the pipework of your refrigerator is not damaged prior to disposal. You can contribute to environmental awareness by insisting on an appropriate non-polluting method of disposal.

## DISPOSAL OF PACKAGING

**Do not allow children to play the packaging, and destroy plastic bags safely.**

The cardboard may be broken or cut into smaller pieces and given to a waste paper disposal service. The wrapping foil is made of polyethylene. The polyethylene pads and stuffing contain no fluorochloric hydrocarbons.

All these valuable materials may be taken to a waste collecting depot and used again after adequate recycling. Consult your local authority for the name and address of the waste paper disposal services nearest to you.

## IMPORTANT SAFETY INSTRUCTIONS

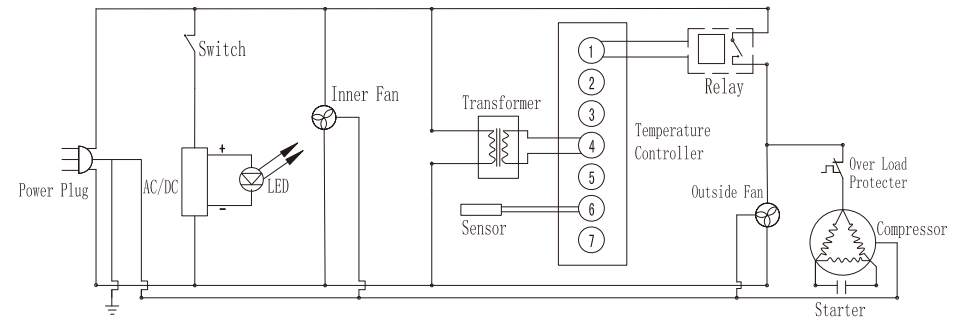
Before switching on your chiller for the first time, read the information in this user manual carefully. The manual contains important observations relating to the assembly, operation and maintenance of the appliance.

Please keep this booklet in a safe place for future reference. If you ever sell your chiller, hand this user manual to the new owner.

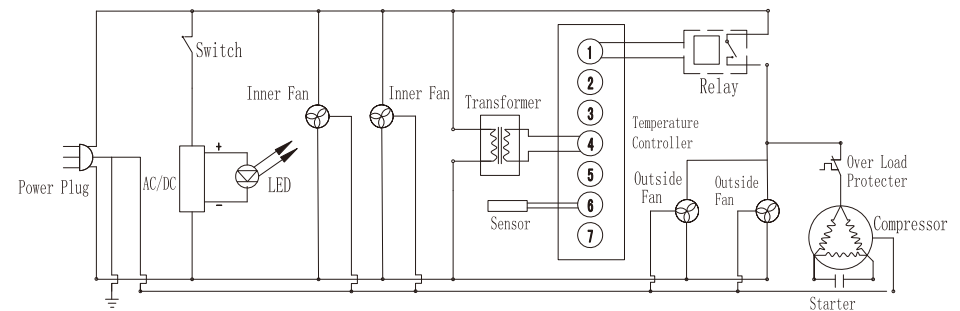
The manufacture does not accept responsibility for any damages that may arise due to non-observation of these instructions. The user is liable for any material damage or bodily injury (product liability) cause by using the refrigerator carelessly or failing to follow instructions.

- Do not use damaged appliances. If you are in any doubt, consult an engineer.
- Connection and installation of your chiller are to be carried out in strict compliance with the relative instructions in this manual.
- For safety, the appliance must be properly earthed in accordance with specifications
- Do not damage any parts of the appliance which carry refrigerant by piercing, perforating, crushing, twisting or scraping. If the refrigerant comes into contact with the eyes, it may cause serious eye injury.
- Always remember to unplug the appliance before cleaning. Never unplug your appliance by pulling on the power cable. Always grip plug firmly and pull straight out from the socket. Always check that the plug and cable are undamaged.
- All repairs must be carried out by qualified engineers. Inadequate repairs may be dangerous. Never try to repair the refrigerator yourself.
- Should the cover of the interior light or fan fall off or break, switch the refrigerator off immediately and replace the cover.
- Ensure your chosen location has a flat and stable surface. The unit may be leveled by turning either or both of the adjustable feet in the front corners. Check the unit is level using a spirit level.

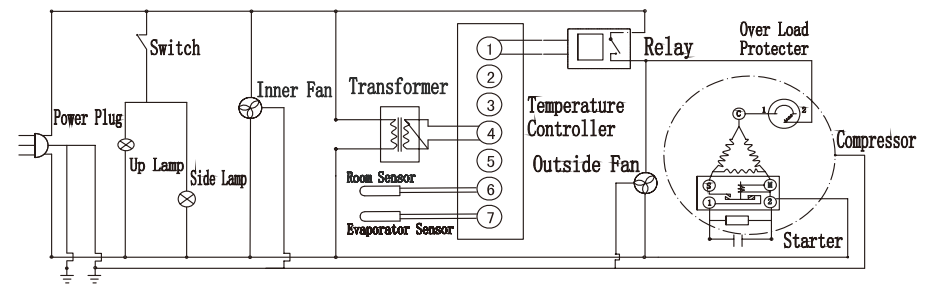
Model: Undercounter single/double door, LED Light (C1, C2)



Model: Undercounter triple door, LED Light (C3)



Model: Upright single door, fluorescent light (C5)



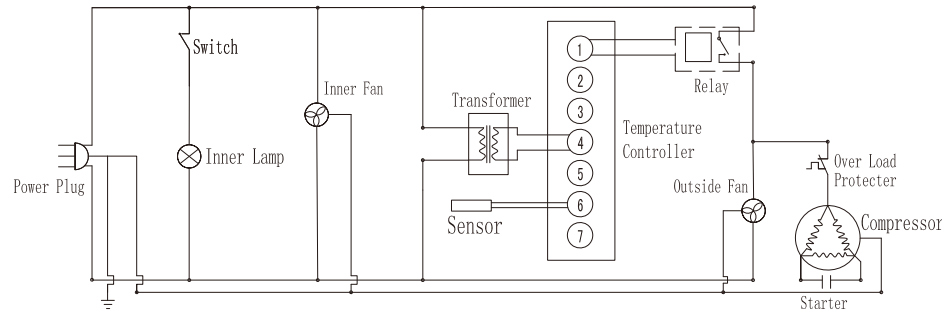
5. Use mild soapy water to clean the gasket and seals.

## REPLACING LAMPS

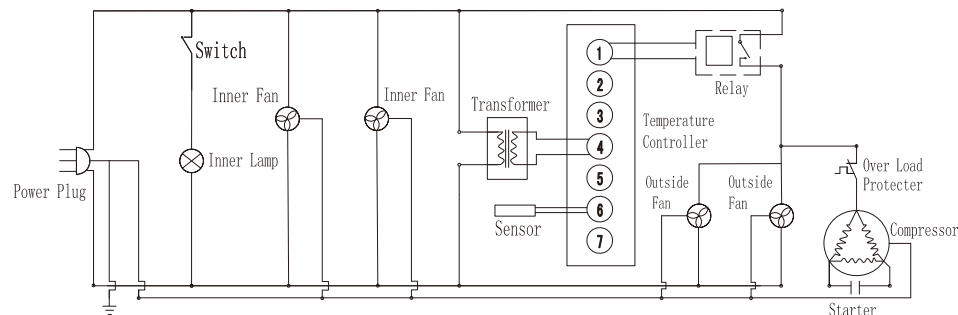
1. Unplug the power plug.
2. Remove the screws on both end of the light cover, take down the lamp cover, pull out the wires, then take away the lamp.
3. Install the new lamp, connect the wires, place the lamp cover and fasten it.

## CIRCUIT DIAGRAM

Model: Undercounter single/double door, fluorescent light (C1, C2)



Model: Undercounter triple door, fluorescent light (C3)



- Do not obstruct or cover the ventilation aperture.
- Do not position this appliance with its rear panel directly against a wall. Maintain a gap of at least 50mm between the appliance and any adjacent wall.
- Position the chiller away from heat sources, where the unit is well-ventilated and protected from moisture, or extremes of heat or cold. The refrigerator may not function properly if the temperature rises above +30°C (standard model).
- Do not allow children to play with the appliance, or to sit on it or to hang onto the door(s).
- Make sure there is a suitable power outlet (230 volts, 13 amps outlet) with proper grounding to power the refrigerator.
- Do not store explosive substances such as aerosol cans with a flammable propellant in this appliance.
- Keep clear of obstruction all ventilation openings in the appliance enclosure or in the structure for building-in.
- Do not use mechanical devices or other means to accelerate the defrosting process, other than those recommended by the manufacturer.
- Do not damage the refrigerant circuit.
- Do not use electrical appliances inside the food storage compartments of the appliance, unless they are of the type recommended by the manufacturer.

## BEFORE USING FOR THE FIRST TIME

Do not position this appliance with its rear panel directly against a wall. For good circulation and operating efficiency, the ventilation grilles must never be blocked.

Remove all packaging and place the chiller on a stable, secure flat surface. Position the chiller away from heat sources, where the unit is well-ventilated and protected from moisture, or extremes of heat or cold. The refrigerator may not function properly if the temperature rises above +30 (standard models). The refrigerator meets the operating conditions according to the standard EN 441-4 in climate class 4.

A 10A fuse is fitted. Never replace with a fuse rated higher than this.

**NEVER USE AN EXTENSION LEAD.** If the mains cable will not reach the nearest socket, either rearrange your store layout or ask a qualified electrician to fit a new socket.

If power is cut off, wait for at least 5 minutes before plugging the unit in again to avoid damaging the compressor.

Do not place combustible, explosive or volatile articles, corrosive acid or alkali, or liquid in glass containers into the chiller. Always exercise caution if adjusting the temperature.



**IMPORTANT: allow the refrigerator to stand upright for 8 hours before plugging in.**

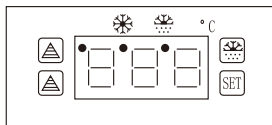
## OPERATION

Place the shelves firmly on their supports. The maximum load for a shelf is 40Kg. Check that the refrigerator is functioning properly before installing and filling it. The electronic thermostat is located inside the unit. An optional light switch is inside the unit.

Never put warm or hot foods directly into the chiller.

## ELECTRONIC THERMOSTAT

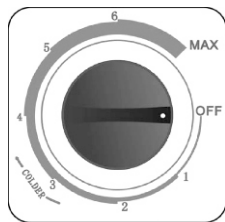
Press the "SET" key, the display will flash, select the desired target temperature by pressing the "SET" key again.



## MECHANICAL THERMOSTAT

**For refrigerator model C300(NH), C400(NH)  
C500, C600, C700 ,C800, C1000 :**

Turn the control knob clockwise to get colder.  
Turn it anti-clockwise to reduce cooling and get temperature higher in cabinet. Note the numbers on the dial are graduations only and do not refer to the actual temperature.



Turn the knob to point to 'OFF' position, the compressor will be switched off and cooling will stop.

## LOOKING AFTER THE PRODUCT - DEFROSTING: For Refrigerator Model ( C300(NH), C400(NH) C500, C600, C700 ,C800, C1000 :

Ice may build up on the evaporator if the unit is put to work constantly for a period of time.

When ice begins to build up to approx 10 mm or 1/5 inch thick, defrost is required.

Empty the cabinet of the products that must stay at cold condition. Switch the thermostat to 'OFF' position.

The ice will start to melt. When the ice has melted and drained away, dry off any residual moisture with a soft cloth.

Switch on the power again via thermostat.

Please note it will take around 12 hours for the cabinet to get back down to temperature with the products.

## CLEANING

1. UNPLUG your chiller and remove any stock to a suitable back-up chiller.
2. Wash the inner compartment with warm water and neutral detergent. DO NOT allow the control panel, cables or plug to get wet.

NEVER use corrosive detergents, wire brushes, or abrasive scourers to clean your chiller.

NEVER use metal or sharp implements to remove debris.

3. Dry all surface thoroughly.
4. To ensure trouble-free operation the condenser should be cleaned every three months where appropriate using a vacuum hose. The condenser is located behind lower grill of the cabinet. In exceptionally dusty locations the condenser should be cleaned more often.