



EN ■ User Manual

CZ ■ Uživatelská příručka

SK ■ Používateľská príručka

HU ■ Felhasználói kézikönyv

PL ■ Podręcznik użytkownika

Color Display Weather Station

Meteorologická stanice  
s barevným displejem

Meteorologická stanica  
s farebným displejom

Meteorológiai állomás színes kijelzővel

Stacja pogodowa  
z kolorowym wyświetlaczem



We thank you for the purchase of our Color Display Weather Station. It has been designed and constructed using innovative components and techniques to enable the perfect display by this device. This unit is also equipped with an outdoor sensor.

Please read the entire instruction manual before using the product and then save it for future reference. We reserve the right for any errors in text or images and any necessary changes made to technical data.

### Things to consider:

1. Other wireless equipment using the same frequency band can reduce the transmission range.
2. The range of all wireless equipment depends on the type of obstacles located between the transmitter and the receiver (e.g. a concrete wall will interfere with the signal much more than a plasterboard wall).

### If you experience problems, try the following:

1. Turn off any other existing wireless equipment to check whether this is the cause of the problem.
2. Move any other existing wireless equipment. Shorten the distance between the sending and receiving devices and reduce the number of obstacles(walls, furniture,etc.) between them.
3. Try removing and reassembling batteries, if the batteries are old, try new ones.

## SAFETY AND GUIDE

Do not clean any part of the product with benzene, thinner or other solvent chemicals. If necessary, clean it with a soft cloth.

Do not dismantle or modify the product in any way.

Never immerse the product in water, It will damage the product.

Do not subject the product to extreme force, shock, or fluctuations in temperature or humidity.

Do not tamper with the internal components.

Do not use used batteries .

Do not use different types of batteries alkaline, standard or rechargeable batteries with this product.

Remove the batteries if storing this product for a long period of time, otherwise the battery might damage the product.

Do not dispose of this product as unsorted municipal waste, it's necessary to separately collect it for special treatment.

Do not place the main unit in rain or moisture.The transmit range depends on the type of obstacles located between the transmitter and the receiver (e.g. a concrete wall will interfere with the signal much more than a plasterboard wall).

Be sure the sensor is mounted vertically, to allow moisture to drain out properly. Place out of direct sunlight & ensure the sensor is well-ventilated.

The distance between main unit and sensors should be at least 5~ 6.5 feet (1.5~2 meters) away from any interfering sources such as computer monitors or TV sets.

The main unit stay away from the metal window frames.

Please do not use other electrical products such as headphones or microphone operating on the same signal frequency. (433.92MHz), neighbors using electrical devices operating on the same signal frequency can also cause interference.

Place the main unit in a dry area, free of dirt and dust. To ensure accurate temperature measurement, place out of direct sunlight and away from heat sources or vents.

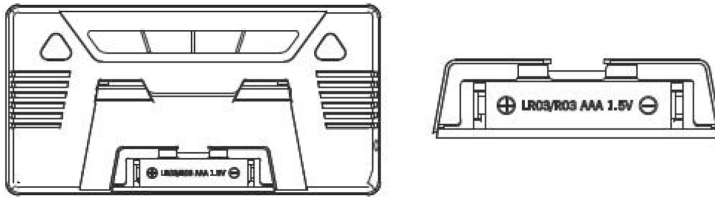


## PACKAGE CONTENTS

- 1 x Digital Weather Station
  - 1 x Remote Sensor
  - 1 x User Manual
  - 1\*DC Adaptor
- (Batteries are not included)

## MAIN UNIT INSTALLATION

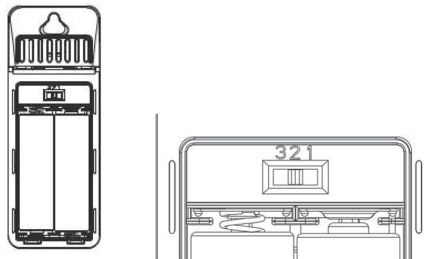
- Remove the protective film that is applied to the LCD screen prior to using the product.
- Plugged in with power adapter and use, battery-power is optional, since previous setting will be reset when plugged out, we recommend install the batteries for the base station.
- Base station can stand upright on the table or mount on the wall.



## SENSOR INSTALLATION

Base station supports up to 3 sensors connection, the sensor switch is located inside the battery compartment, it can be switched 1,2,3, matching the info of Channel 1, Channel 2, Channel 3 that synchronize on the OUTDOOR position.

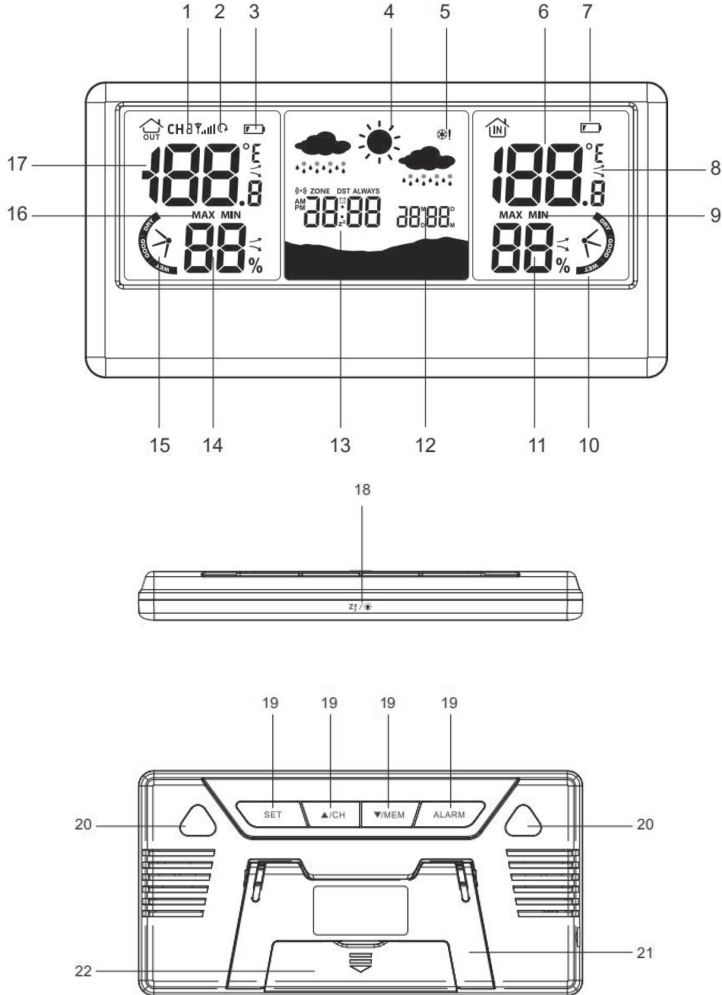
1. Remove the battery compartment cover, chose the channel (1,2,3)by switching the channel shift.
2. Insert 2 x AA batteries matching the correct polarity (+ and -), the red led light will flash for once, then assemble the battery compartment.
3. Put the sensor the position you desire.



## Low Battery Indicator

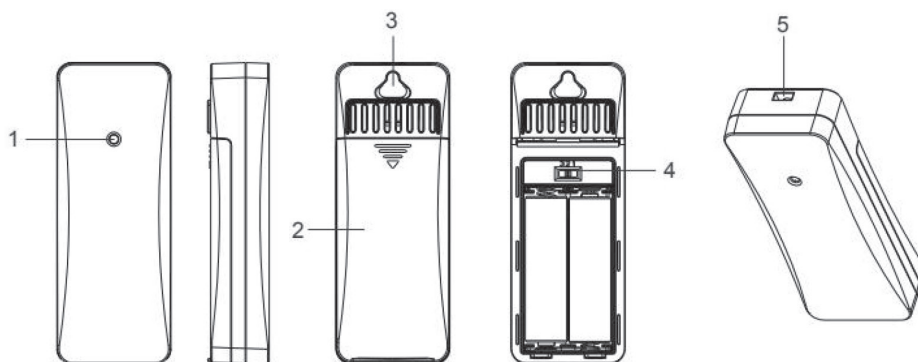
When battery power for main unit is lower than 3.6V, or when the power for remote sensor is lower than 2.5V, the low battery indicator will display on the LCD. When it is powered by DC adaptor, the batteries are for memory function. If the low battery indicator for main unit still shows, that means the batteries' power for main unit is lower than 3.6V, please check the batteries situation. To avoid batteries runs out, getting rotten and damage the units. please change batteries on time when low battery indicator appear. Please use alkaline dry batteries, do not use rechargeable batteries.

## LCD DISPLAY



1. Outdoor temperature and humidity
2. 3 outdoor channels display in loop
3. Low battery Indicator (Sensor)
4. Weather Forecast
5. Freezing Alert
6. Indoor temperature
7. Low battery Indicator (main unit)
8. Trends for temperature and humidity
9. Max Min record for indoor temperature and humidity in 24hours
10. Comfortable Indicator for indoor
11. Indoor humidity
12. Calendar
13. Current time
14. Outdoor humidity
15. Comfortable Indicator for outdoor
16. Max Min record for outdoor temperature and humidity in 24hours
17. Outdoor Temperature
18. Touch button - **SNOOZE/LIGHT** (Zz/☀)
19. Buttons (**SET**, ▲/CH, ▼/MEM, ALARM)
20. Hanging hole
21. Stand
22. Battery compartment cover

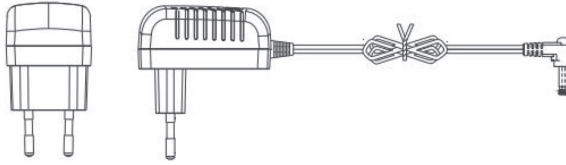
## SENSOR



1. LED light
2. Battery compartment Cover
3. Hanging hole
4. Channel shift
5. Rope hanging hole

When the red led light flash, it is sending signal to main unit.

## DC ADAPTOR



## FEATURES

- Time and Calendar(Date/Month/Year)
- 12/24 hours format switchable
- Alarm with snooze function
- Weather forecast with 5 status: sunny, partly cloudy, cloudy, rainy, and snowy
- Indoor temperature and humidity
- Outdoor temperature and humidity
- Support up to 3 sensors (1 included)
- Function auto scrolling measured data of all 3 outdoor sensors
- Max/ Min memory records for all indoor and outdoor temperature and humidity
- Trend index
- C/F(Celsius/Fahrenheit) switchable
- Comfortable Indicator
- Max/ Min memory records
- Low battery indicator
- Tone on/off function
- Transmission range: up to 80 meters in open area
- 3-mode brightness: Bright/Dim/Off
- Table standing or wall hanging
- Sensor Transmission Frequency:433.92MHZ
- Main Unit Power: 3\*1,5V type AAA(Batteries Not Included) & 5V 1.2A DC Adaptor(Included)
- Sensor Power:2\*1,5V type AA(Batteries Not Included)

## OPERATION INSTRUCTION

		【SET】	【▲/CH】	【▼/MEM】	【ALARM】	【SNOOZE/LIGHT】
Standard Mode	Press	-----	Switch CH1/ CH2/CH3	View Max- Min record	View alarm time, turn on/off alarm	*Light up backlight when power by batteries *Switch to different backlight lever *Snooze when alarm *Save and exit during setting
	Hold	Start Time and Calendar setting	Clear all the data on 3 channels, and re-check new data	Clear Max/ Min record for indoor and outdoor	Start Alarm Setting	-----
Time Setting	Press	Confirm	Increase 1 step	Decrease 1 step	-----	*Save and exit during setting
	Hold	Start time setting	Increase Fast	Decrease fast	-----	-----
ALARMs Setting	Press	-----	Increase	Decrease	Confirm	*Save and exit during setting
	Hold	-----	Increase Fast	Decrease fast	-----	-----
ALARM Ring On Mode	Press	Stop alarm ringing	Stop alarm ringing	Stop alarm ringing	Stop alarm ringing	Snooze on
	Hold	-----	-----	-----	-----	-----

Touch button 【snooze/light】, should be operated for 1 second each operation.

## SETTING GUIDE

Press and hold 【SET】 button, to enter Tone on/off, 12/24h,C/F switch,time setting mode.

Press 【▲/CH】 button, to switch channel 1/2/3,Press and hold 【▲/CH】 button 3seconds to increase fast, or clear all the data on 3 channels, and re-register new data

Press 【▼/MEM】 button, to view Max-Min record, Press and hold, 【▼/MEM】 button, to clear Max/Min record for indoor and outdoor

Press 【ALARM】 button, to view alarm time & status,Press and hold 【ALARM】 button, to enter Alarm setting Mode

Press and hold 【ALARM】, enter into alarm time setting mode

Press 【SNOOZE/LIGHT】, backlight will light up for 20 seconds when powered with batteries;The setting will be saved and exit, the backlight lever will change from high-soft-off in loop.


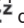

When it alarms, press any button to stop alarming, press 【SNOOZE/LIGHT】 to enter into snooze mode, then alarm again after 5 minutes, press any button to stop it when alarming or during the period of snooze.





## TIME SETTING

1. In standard mode, press and hold **[SET]** key for 3 seconds, Weather Station will start time setting and the figure to be set will flash, The setting order is: Tone voice BI on/off → 12/24h → hour → minute → year → DM/MD → month → date → C/F → confirm and exit.  
**During setting, only the setting figure will display, other parts will be invisible.**
2. Press **[▲/CH]** or **[▼/MEM]** to change the setting item to the desired values; Press **[▲/CH]**, the value to be set will increase 1, Press and hold **[▲/CH]**, during setting, the value will increase fast. Press **[▼/MEM]**, the value to be set will decrease 1, Press and hold **[▼/MEM]**, during setting, the value will decrease fast.
3. The setting will be automatically confirmed and exit if there is no operation within 20seconds.
4. Press **[SET]** button to confirm the setting.
5. No operation in 20 seconds, it will save current setting and exit.

## ALARM AND SNOOZE

1. Press **[ALARM]** button to check alarm time or alarm on/off status. If alarm is on, the alarm icon  will display. It will return to normal time display mode if no operation in 5 seconds.
2. Press and hold alarm to enter alarm setting. The figure to be set will be flashing.
3. The setting sequence is: Hour-Minute -Exit.
4. Press **[▲/CH]** or **[▼/MEM]** to change the setting item to the desired values;
5. The setting will be saved and exit if no other setting within 20 seconds.
6. The alarm sound will last for 2 minutes, and will change as below  
0-10 seconds: BI per second  
11-20 seconds: BI BI per second  
21-30 seconds: BI BI BI BI per second  
31-120 seconds: Keep BI sound
7. The alarm ring lasts 2 minute and then be canceled automatically. Press any other button to stop alarm sound, which will activate again after 24 hours.
8. Snooze Function: When alarm ring is on, press **[SNOOZE/LIGHT]** button to enter into snooze function for 5 minutes, the snooze icon  display. When the snooze time is up, the alarm rings. The snooze ring lasts 2 minute and then be canceled automatically. press any other bottom except **[SNOOZE/LIGHT]** to turn the snooze ring off.
9. To fully deactivate the alarm, press **[ALARM]** button in standard mode, to turn it off, then the  icon will disappear.

## TEMPERATURE & HUMIDITY

1. **°C/°F Switchable**  
INDOOR temperature range: -9.9°C~50°C(14°F~122°F)  
OUTDOOR temperature range: -40°C~60~(-40~140°F)  
INDOOR humidity display range: 1%RH~99%RH  
OUTDOOR humidity display range: 10%RH~99%RH  
LL.L & HH.H will display when out of range
2. **Trends:**  
Trends Icon will not display at the moment of powering on.  
The trend  will display, when the temperature increase 1°C compared to last data, or increase 1°C in 1 hour;  
The trend  will display, when the humidity value increase 3% compared to last data, or increase 3% in 1 hour;





vice the verse for decrease trends;  
when the increase/decrease is less then 1°C or 3% in 1 hour, no trend icon will display.

## MEMORY

1. Under normal time displaying mode, press **[▼/MEM]** button to check the 3 channel indoor and outdoor temperature and humidity, the record sequence is :Indoor/outdoor maximum temperature&humidity→Indoor/outdoor minimum temperature&humidity. No operation in 5 seconds,it will return to current temperature &humidity display.
2. **Max/Min:**  
The maximum/minimum records will be cleared automatically at 00:00 everyday. Or manually clear the max/min record by holding **[▼/MEM]** at Time Display mode. It will clear the record, and display the current value.

## RF-OUTDOOR TEMPERATURE AND HUMIDITY

1. The weather station will automatically receive signal sending back from the external sensor after powering on, the receiving status will last for max 3 minutes, the receiving antenna signal will flash, if no signal received in 3 minutes, receiving signal will exist and stop receiving outdoor signal. Signal re-synchronization will be reactivated next hour until the signal got and data displayed on the main unit.
2. Under normal time displaying mode, press and hold **[▲/CH]** button more than 2 seconds to manually start the RF re-registration then.
3. If no signal received within 2 hours, "--." will be display in the corresponding CH.

## CHANNEL & SENSOR OPERATION

1. The weather station supports max connection with up to 3 sensors.
2. Remove the battery cover of sensor and slide CH switch to CH1/CH2/CH3, make sure each sensor is assigned to a different CHANNEL number.
3. It is recommended to put CH1 sensor in outdoor for more accurate weather forecast, and put other sensors in your desired area.
4. In standard mode, Press **[▲/CH]** button to check the outdoor temperature and humidity of channel 1/2/3. When you switch to the mode, the display will automatically loop 3 sensor' data.If you want to reset all the data of sensors, press and hold **[▲/CH]** button 3 seconds, and it will reconnect with the sensors.

## REMARKS

1. The distance between main unit and transmitter should be at least 5~ 6.5 feet (1.5~2 meters) away from any interfering sources such as computer monitors or TV sets.
2. The main unit cannot stand close to metal window frames.
3. Please do not use other electrical products such as headphones or speakers operating on the same signal frequency.
4. Neighbors using electrical devices operating on the same signal frequency can also cause interference.
5. Frequency:433.92mHZ
6. Signal receive Distance: 80meters










## Re-synchronize the devices

When temperature and moisture readings for outdoor sensors are not shown on the main unit, please try re-synchronize the devices. Make sure main unit is powered on firstly, then assemble the batteries for sensors, the red light on the sensor will flash and send signal to main unit.

## WEATHER FORECAST

WEATHER ICON					
Description	Sunny	Partly Cloudy	Cloudy	Rainy	Snowy

Weather forecast in 12+ Hour: Sunny, Partly Cloudy, Cloudy, Rainy, Snowy

The weather icon displays are based on the hourly calculation of indoor/outdoor temperature & humidity. The forecast station predict weather conditions for the next 12 hours with 70-75% accuracy. The remote sensor should be put on the outside to have accurate outdoor data. Or it will effect the accurate of weather forecast.

The default display weather is partly cloudy, the main unit will calibrate the weather report in 1–2 weeks with the temperature and humidity data changes.

The remote sensor should be place outside to get accurate outdoor data or it will effect the accurate of weather forecast.

## COMFORT LEVEL INDEX

Comfort level displays with 3 status: DRY, GOOD, WET

Comfort Level	Humidity Range
Dry	1–40%
Good	41–75%
Wet	≥ 76%

## BACK LIGHT

When the base station powered with batteries only, touch **[SNOOZE/LIGHT]** for 1 second at the top, momentarily light up the screen for 20 seconds.

When powered by adapter, touch **[SNOOZE/LIGHT]** to adjust the brightness BRIGHT-DIM-OFF.

## LOW BATTERY ALERT

Install the battery to check the status every minute, the icon Low battery indicator will display when it is low. We recommend you to replace the batteries, in case that the batteries got rotten and effect the unit.



## FREEZING ALERT

When the temperature is 0~2.9°C, the snow icon ❄️ will flash;  
when temperature value is lower than 0°C, the snow icon ❄️ will display.

## POSITIONED METHODS

The weather station can be positioned in 2 ways as desired.

- Take out the metal stands in the battery compartment, assemble them to the metal stand holes.
- Hang on the wall by hanging hole

The sensor can be positioned in below ways,

1. Use the hole at the top to hang your sensor from the back using a nail.
2. Mount your sensor on a north-facing wall or in any shaded area. Under an eave or deck rail is preferred.
3. The maximum wireless transmission range to the weather station is up to 80 meters in open air, not including walls or floors.
4. Be sure our sensor is mounted vertically, to allow moisture to drain out properly. Keep out of direct sunlight & ensure the sensor is well-ventilated.

## PRECAUTIONS

- Do not clean any part of the product with benzene, thinner or other solvent chemicals. When necessary, clean it with a soft cloth.
- Never immerse the product in water. This will damage the product.
- Do not subject the product to extreme force, shock, or fluctuations in temperature or humidity.
- Do not tamper with the internal components.
- Do not mix new and old batteries or batteries of different types.
- Do not mix alkaline, standard or rechargeable batteries with this product.
- Remove the batteries if storing this product for a long period of time.
- Do not dispose of this product as unsorted municipal waste. Collection of such waste separately for special treatment is necessary.

## SPECIFICATIONS

<b>Indoor Temperature Range</b>	-9.9°C to +50°C
<b>Outdoor Temperature Range</b>	- 40°C to +60°C
<b>Indoor Humidity Range</b>	1% to 99% RH
<b>Outdoor Humidity Range</b>	10% to 99% RH
<b>Temperature Display</b>	in °C/°F Selectable
<b>Transmission Between Main Unit and Sensor</b>	up to 80 m (in Open Area)
<b>Sensor Transmission Frequency</b>	433.92 MHz
<b>Power Adaptor of Main Unit</b>	DC 5 V / 1200 mA (Included), Consumption: 6 W
<b>Battery Back-Up of Main Unit</b>	3 x 1,5 V Type AAA (Batteries Not Included)
<b>Power of Sensor</b>	2 x 1,5 V Type AA (Batteries Not Included)
<b>Dimensions of Main Unit (w/h/d)</b>	147 x 74 x 17 mm
<b>Dimensions of Wireless Sensor (w/h/d)</b>	38 x 100 x 22 mm
<b>Weight of Main Unit</b>	173 g (with Battery, without Adapter)
<b>Weight of Wireless Sensor</b>	32 g

## ADAPTER TECHNICAL SPECIFICATIONS

Manufacturer's name or trade mark, commercial registration number and address:	DONGGUAN SHIJIE HUAXU ELECTRONICS FACTORY, Commercial Registration Number: 440429543, Address: No.200, Technology East Road, Shijie TownDongguan City,Guangdong, P.R.China
Model identifier:	HX075-0501200-AG-001
Input voltage:	AC100–240V
Input AC frequency:	50/60Hz
Output voltage:	DC5.0V
Output current:	1.2A
Output power:	6.0W
Average active efficiency:	≥75.00%
Efficiency at low load (10 %):	71.17%
No-load power consumption:	≤0.1W



## INSTRUCTIONS AND INFORMATION ON THE DISPOSAL OF DISCARDED PACKAGING MATERIALS

Take the packaging material to a collection yard for disposal.

### DISPOSAL OF DISCARDED ELECTRICAL AND ELECTRONIC EQUIPMENT



This symbol on the product, accessory or packaging indicates that the product must not be treated as normal household waste. Please dispose of this product in a collection yard designated for the recycling of electrical and electronic equipment. In some EU countries or in some European countries, you can return your products to your local retailer when you buy an equivalent new product. Correct disposal of this product helps save valuable natural resources and prevents possible adverse impacts on the environment and human health that might be caused by improper waste disposal. Please contact your local authority or the nearest waste collection yard for further details. Improper disposal of this type of waste may be subject to a legal fine.

#### For companies in the European Union

If you need to dispose of electrical or electronic equipment, ask your dealer or supplier for the necessary information.

#### Disposal in countries outside the European Union

To dispose of this product, please ask your local authorities or dealer for the necessary information on correct disposal.



This product complies with EU requirements.

FAST ČR, a. s. hereby declares that the radio device type SWS 4100 complies with Directive 2014/53/EU. For full version of the EU declaration of conformity, please refer to the website: [www.sencor.cz](http://www.sencor.cz)

Changes in the text, design and technical specifications may be made without prior notice and we reserve the right to make such changes.

The original version is in Czech.

Manufacturer: FAST ČR, a.s., U Sanitasu 1621, Říčany 251 01, Czech Republic, [info@sencor.com](mailto:info@sencor.com)

Authorized service centers: Visit [www.sencor.com](http://www.sencor.com) for detailed information about authorized service centers.



# SENCOR®

## EN Warranty conditions

### Warranty card is not a part of the device packaging.

This product is warranted for the period of 24 months from the date of purchase to the end-user. Warranty is limited to the following conditions. Warranty is referred only to the customer goods using for common domestic use. The claim for service can be applied either at dealer's shop where the product was bought, or at below mentioned authorized service shops. The end-user is obligated to set up a claim immediately when the defects appeared but only till the end of warranty period. The end user is obligated to cooperate to certify the claiming defects. Only completed and clean (according to hygienic standards) product will be accepted. In case of eligible warranty claim the warranty period will be prolonged by the period from the date of claim application till the date of taking over the product by end-user, or the date the end-user is obligated to take it over. To obtain the service under this warranty, end-user is obligated to certify his claim with duly completed following documents: receipt, certificate of warranty, certificate of installation.

### This warranty is void especially if apply as follows:

- Defects which were put on sale.
- Wear-out or damage caused by common use.
- The product was damaged by unprofessional or wrong installation, used in contrary to the applicable instruction manual, used in contrary to legal enactment and common process of use or used for another purpose which has been designed for.
- The product was damaged by uncared-for or insufficient maintenance.
- The product was damaged by dirt, accident of force majeure (natural disaster, fire, and flood).
- Defects on functionality caused by low duality of signal, electromagnetic field interference etc.
- The product was mechanically damaged (e.g. broken button, fall).
- Damage caused by use of unsuitable media, fillings, expendable supplies (batteries) or by unsuitable working conditions (e.g. high temperatures, high humidity, quakes).
- Repair, modification or other failure action to the product by unauthorized person.
- End-user did not prove enough his right to claim (time and place of purchase).
- Data on presented documents differs from data on products.
- Cases when the claiming product cannot be indentified according to the presented documents (e.g. the serial number or the warranty seal has been damaged).

### Manufacturer:

FAST ČR, a.s., U Sanitasu 1621, Říčany 251 01, Czech Republic

Visit [www.sencor.com](http://www.sencor.com) for detailed information about authorized service centers.

The original version of the instructions is in the Czech language, other language versions are made by the appropriate translation.



Děkujeme vám za zakoupení této meteorologické stanice s barevným displejem. Byla navržena a sestavena pomocí inovativních komponent a technik umožňujících perfektní zobrazení informací. Tento přístroj je rovněž vybaven venkovním snímačem.

Před použitím tohoto produktu si prosím přečtete celý návod k obsluze a uschovejte jej pro pozdější použití. Vyhrazuje si právo na jakékoli chyby v textech nebo obrázcích, a právo na jakékoli nezbytné změny technických údajů.

### **Vezměte prosím v úvahu:**

1. Jiná bezdrátová zařízení používající stejné frekvenční pásmo mohou snižovat přenosový dosah.
2. Dosah všech bezdrátových zařízení závisí na typu překážek vyskytujících se mezi vysílačem a přijímačem (např. betonová stěna bude rušit signál více, než sádrokartonová stěna).

### **V případě problémů zkuste provést následující:**

1. Vypněte jakékoli jiné bezdrátové zařízení, abyste zjistili, zda je příčinou problému.
2. Přemístěte jakékoli jiné bezdrátové zařízení. Zkraťte vzdálenost mezi vysílajícím a přijímacím zařízením a omezte počet překážek (stěny, nábytek apod.) mezi nimi.
3. Zkuste vyjmout a znovu vložit baterie; pokud jsou baterie staré, vyměňte je za nové.

## **BEZPEČNOST A PRŮVODCE**

Nečistěte žádnou část tohoto produktu benzenem, ředidlem, ani jinými chemickými rozpouštědly. Pokud je čištění nutné, použijte jemný hadřík.

Nepokoušejte se tento produkt jakkoli rozebrat nebo upravovat.

Nikdy neponořujte tento produkt do vody, jinak hrozí nebezpečí jeho poškození.

Nevystavujte tento produkt působení extrémní síly, otřesů nebo kolísání teploty či vlhkosti.

Nepoškozujte vnitřní komponenty.

Nepoužívejte vybité baterie.

Nepoužívejte v tomto produktu různé typy baterií, jako například alkalické, standardní a dobíjecí baterie.

Pokud chcete tento produkt na delší dobu uskladnit, vyjměte z něj baterie, aby nedošlo k poškození produktu elektrolytem z baterií.

Nevyhazujte tento produkt do netříděného komunálního odpadu. Odneste jej k ekologické likvidaci do sběrného dvora.

Nevystavujte hlavní jednotku působení deště nebo vlhkosti. Přenosový rozsah závisí na typu překážek vyskytujících se mezi vysílačem a přijímačem (např. betonová stěna bude rušit signál více, než sádrokartonová stěna).

Namontujte snímač svisle, aby mohla být správně odváděna vlhkost. Umístěte mimo přímé sluneční světlo a zajistěte, aby byl snímač dobře odvětrávaný.

Hlavní jednotka a snímače by měly být vzdáleny alespoň 1,5–2 metry od jakýchkoli zdrojů rušení, jako například počítačových monitorů nebo televizorů.

Hlavní jednotka nesmí být umístěna v blízkosti kovových okenních rámců.

Nepoužívejte prosím další elektronické produkty, jako například sluchátka nebo mikrofony, pracující se stejnou frekvencí signálu. Rušení mohou rovněž způsobovat elektronická zařízení vašich sousedů, pracující se stejnou frekvencí signálu (433,92 MHz).

Umístěte hlavní jednotku na suché místo bez nečistot a prachu. Aby bylo měření teploty přesné, nestavte tento produkt na přímé sluneční světlo a umístěte jej dostatečně daleko od zdrojů tepla nebo větracích otvorů.

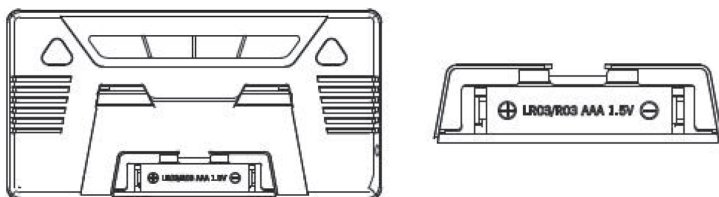


## OBSAH BALENÍ

- 1× Digitální meteorologická stanice
  - 1× Dálkový snímač
  - 1× Uživatelská příručka
  - 1× Napájecí adaptér
- (Baterie nejsou součástí příslušenství)

## INSTALACE HLAVNÍ JEDNOTKY

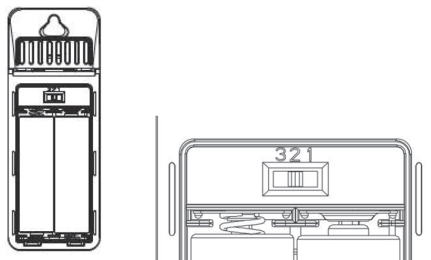
- Před použitím tohoto produktu odstraňte z LCD obrazovky ochrannou fólii.
- Pokud je připojen napájecí adaptér, není nutno používat baterie. V případě odpojení adaptéru se však v takovém případě vynuluje nastavení, a proto doporučujeme vložit do základnové stanice baterie.
- Základnová stanice může stát na stole nebo ji můžete namontovat na stěnu.



## INSTALACE SNÍMAČE

Základnová stanice podporuje připojení až 3 snímačů. Přepínač snímačů je umístěn v prostoru pro baterie a lze jej přepnout do polohy 1, 2, 3 pro synchronizaci informací z VENKOVNÍHO Kanálu 1, Kanálu 2 a Kanálu 3.

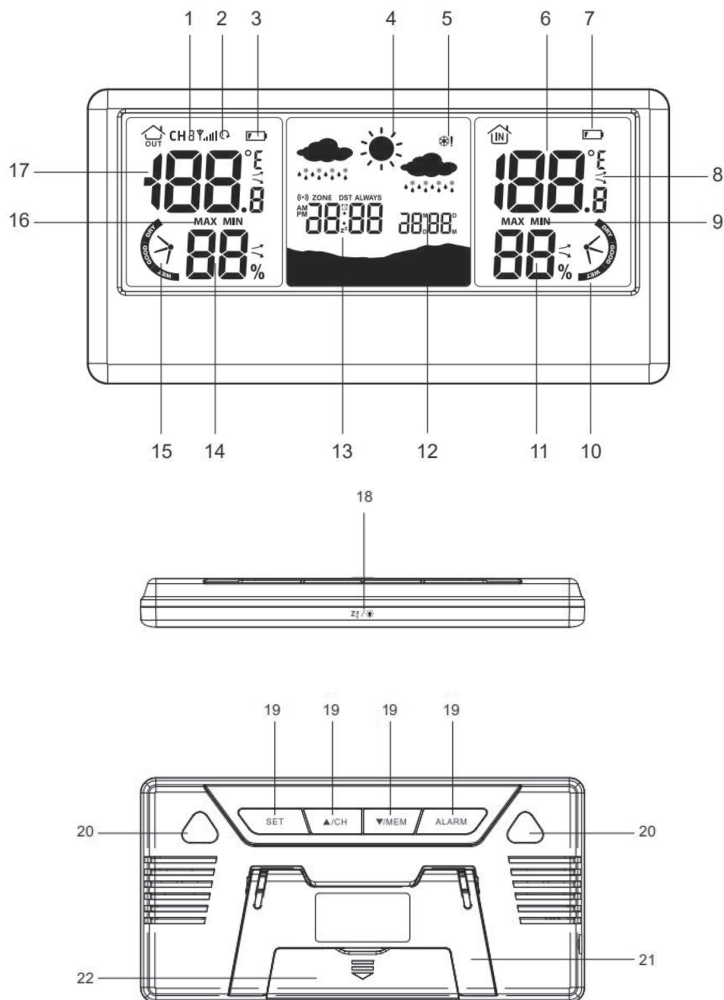
1. Odstraňte kryt prostoru pro baterie a pomocí přepínače kanálů vyberte kanál (1, 2, 3).
2. Vložte 2 baterie AA se správnou polaritou (+ a -). Poté, co červený LED indikátor jednou blikne, sestavte prostor pro baterie.
3. Umístěte snímač na požadované místo.



## Indikátor vybitých baterií

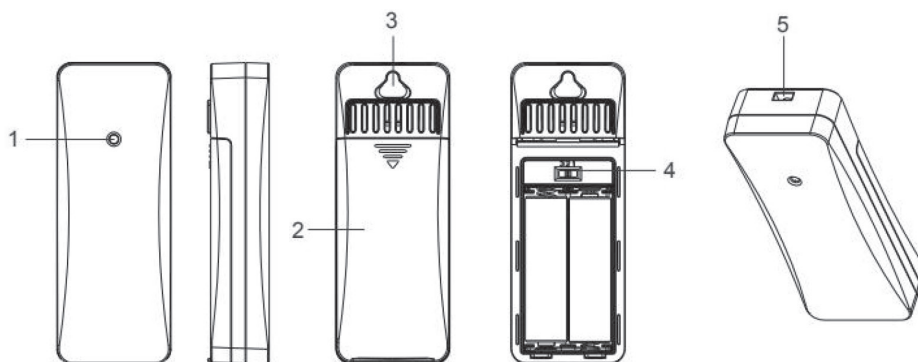
Pokud je napětí baterií pro hlavní jednotku nižší, než 3,6 V, nebo pokud je napětí pro dálkový snímač nižší, než 2,5 V, zobrazí se na LCD displeji indikátor vybitých baterií. Při napájení pomocí síťového adaptéru slouží baterie pro zálohování paměti. Jestliže se zobrazí indikátor vybitých baterií pro hlavní jednotku, je napětí baterií v hlavní jednotce menší než 3,6 V. Zkontrolujte prosím stav baterií. Aby nedošlo k vybití a zkorodování baterií a následnému poškození jednotek, vyměňte prosím baterie bezprostředně po zobrazení indikátoru vybitých baterií. Používejte prosím suché alkalické baterie; nepoužívejte dobíjecí baterie.

## LCD DISPLEJ



1. Venkovní teplota a vlhkost
2. Cyklické zobrazení 3 venkovních kanálů
3. Indikátor vybitých baterií (snímač)
4. Předpověď počasí
5. Výstraha před mrazem
6. Vnitřní teplota
7. Indikátor vybitých baterií (hlavní jednotka)
8. Trend teploty a vlhkosti
9. Max. a min. záznam vnitřní teploty a vlhkosti za 24 hodin
10. Indikátor pohody pro vnitřní prostředí
11. Vnitřní vlhkost
12. Kalendář
13. Aktuální čas
14. Venkovní vlhkost
15. Indikátor pohody pro venkovní prostředí
16. Max. a min. záznam venkovní teploty a vlhkosti za 24 hodin
17. Venkovní teplota
18. Dotykové tlačítko – **SNOOZE/LIGHT (Opakované buzení/Světlo)**  $Z_z / \text{☾}$
19. Tlačítka (**SET (Nastavení)**, **▲/CH (Kanál)**, **▼/MEM (Paměť)**, **ALARM (Budík)**)
20. Otvor pro zavěšení
21. Stojan
22. Kryt prostoru pro baterie

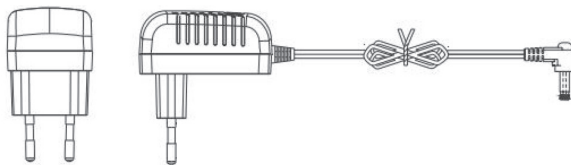
## SENZOR



1. LED světlo
2. Kryt prostoru pro baterie
3. Otvor pro zavěšení
4. Přepínač kanálů
5. Otvor pro zavěšení na šňůru

Když červený LED indikátor bliká, odesílá se signál do hlavní jednotky.

## SÍŤOVÝ ADAPTÉR



## VLASTNOSTI

- Čas a kalendář (Den/Měsíc/Rok)
- Volba formátu 12/24 hodin
- Budík s funkcí opakovaného buzení
- Předpověď počasí s 5 stavů: slunečno, částečně zataženo, zataženo, déšť, sněžení
- Vnitřní teplota a vlhkost
- Venkovní teplota a vlhkost
- Podpora až 3 snímačů (1 součástí příslušenství)
- Funkce automatického cyklického zobrazení naměřených dat ze všech 3 venkovních snímačů
- Max./min. paměťové záznamy pro všechny vnitřní a venkovní teploty a vlhkosti
- Index trendu
- Volba C/F (stupně Celsia/Fahrenheita)
- Indikátor pohody
- Max./min. záznamy v paměti
- Indikátor vybitých baterií
- Funkce zapnutí/vypnutí zvuku
- Přenosový rozsah: až 80 metrů v otevřeném prostoru
- 3 režimy jasu: Vysoký/Nizký/Vypnuto
- Postavení na stůl nebo zavěšení na stěnu
- Přenosová frekvence snímače: 433,92 MHz
- Napájení hlavní jednotky: 3× 1,5V baterie typu AAA (nejsou součástí příslušenství) a síťový adaptér 5 V 1,2 A (dodávané příslušenství)
- Napájení snímače: 2× 1,5V baterie typu AA (nejsou součástí příslušenství)

# NÁVOD K OBSLUZE

		<b>[SET (Nastavení)]</b>	<b>[▲/CH (Kanál)]</b>	<b>[▼/MEM (Paměť)]</b>	<b>[ALARM (Budík)]</b>	<b>[SNOOZE/LIGHT (Opakované buzení/ Světlo)]</b>
Standardní režim	Stisknutí tlačítka	-----	Přepnutí CH1/CH2/CH3	Zobrazení max. a min. záznamu	Zobrazení času budíku, zapnutí/vypnutí budíku	*Rozsvícení podsvícení při napájení z baterií *Přepnutí na jinou úroveň podsvícení *Opakované buzení při zvonění *Uložení a ukončení během nastavování
	Podržení	Otevření nastavení času a kalendáře	Smazání všech dat 3 kanálů a opakovaná kontrola nových dat	Smazání max./min. záznamu vnitřní a venkovní teploty	Otevření nastavení budíku	-----
Nastavení času	Stisknutí tlačítka	Potvrzení	Zvýšení o 1 krok	Snížení o 1 krok	-----	*Uložení a ukončení během nastavování
	Podržení	Otevření nastavení času	Rychlé zvýšení	Rychlé snížení	-----	-----
Nastavení budíku	Stisknutí tlačítka	-----	Zvýšení	Snížení	Potvrzení	*Uložení a ukončení během nastavování
	Podržení	-----	Rychlé zvýšení	Rychlé snížení	-----	-----
Režim zvonění budíku	Stisknutí tlačítka	Zastavení zvonění budíku	Zastavení zvonění budíku	Zastavení zvonění budíku	Zastavení zvonění budíku	Zapnutí opakovaného buzení
	Podržení	-----	-----	-----	-----	-----

Dotykové tlačítko **[Snooze/Light]** by mělo být pro každou operaci podrženo 1 sekundu.

## PRŮVODCE NASTAVENÍM

Stiskněte a podržte tlačítko **[SET]** pro otevření režimu nastavení Tone on/off (Zapnutí/vypnutí zvuku), 12/24h, přepnutí C/F a nastavení času.

Stiskněte tlačítko **[▲/CH]** pro přepnutí kanálu 1/2/3, stiskněte a 3 sekundy podržte tlačítko **[▲/CH]** pro rychlé zvýšení hodnoty nebo smazání všech dat 3 kanálů a opětovnou registraci nových dat

Stiskněte tlačítko **[▼/MEM]** pro zobrazení max. a min. záznamu, stiskněte a podržte tlačítko **[▼/MEM]** pro smazání max./min. záznamu pro vnitřní a venkovní prostředí

Stiskněte tlačítko **[ALARM]** pro zobrazení času a stavu budíku, stiskněte a podržte tlačítko **[ALARM]** pro otevření režimu nastavení budíku

Stiskněte a podržte tlačítko **[ALARM]** pro otevření režimu nastavení času budíku

Stiskněte tlačítko **[SNOOZE/LIGHT]** pro rozsvícení podsvícení na 20 sekund při napájení z baterií.

Nastavení se uloží a provede se ukončení; úroveň podsvícení se bude měnit v cyklu vysoká-nízká-vypnuto.





Když zvoní budík, stiskněte jakékoli tlačítko pro zastavení zvonění nebo stiskněte tlačítko **[SNOOZE/LIGHT]** pro aktivaci režimu opakovaného buzení s odložením zvonění o 5 minut. Pro ukončení během zvonění nebo periody opakovaného buzení stiskněte jakékoli tlačítko.

## NASTAVENÍ ČASU

1. Ve standardním režimu stiskněte tlačítko **[SET]** a 3 sekundy jej podržte. Meteorologická stanice aktivuje režim nastavení času a začne blikat nastavovaná číslce. Pořadí nastavování: Zapnutí/vypnutí zvuku pípnutí → 12/24 h → hodin → minut → rok → DM/MD → měsíc → den → C/F → potvrzení a ukončení.  
**Během nastavování se zobrazí pouze číslce nastavení; další části budou neviditelné.**
2. Stisknutím tlačítka **[▲/CH]** nebo **[▼/MEM]** změňte položku nastavení na požadované hodnoty; stiskněte tlačítko **[▲/CH]** pro zvýšení nastavované hodnoty o 1, stiskněte a podržte během nastavování tlačítko **[▲/CH]** pro rychlé zvýšení hodnoty. Stiskněte tlačítko **[▼/MEM]** pro snížení nastavované hodnoty o 1, stiskněte a podržte během nastavování tlačítko **[▼/MEM]** pro rychlé snížení hodnoty.
3. Pokud během 20 sekund neprovedete žádnou operaci, nastavení se automaticky potvrdí a nastavování se ukončí.
4. Potvrďte nastavení stisknutím tlačítka **[SET]**.
5. Pokud neprovedete během 20 sekund žádnou operaci, aktuální nastavení se uloží a nastavování se ukončí.

## BUDÍK A OPAKOVANÉ BUZENÍ

1. Stisknutím tlačítka **[ALARM]** můžete zkontrolovat čas buzení nebo stav zapnutí/vypnutí budíku. Když je budík zapnutý, zobrazuje se ikona budíku . Pokud během 5 sekund neprovedete žádnou operaci, obnoví se normální režim zobrazení času.
2. Stiskněte a podržte tlačítko budíku pro otevření nastavení budíku. Nastavovaná číslce bude blikat.
3. Pořadí nastavování: Hodiny – Minuty – Ukončit.
4. Stisknutím tlačítka **[▲/CH]** nebo **[▼/MEM]** změňte položky nastavení na požadované hodnoty;
5. Pokud během 20 sekund neprovedete žádnou operaci, nastavení se automaticky uloží a nastavování se ukončí.
6. Budík bude zvonit po dobu 2 minut následujícím způsobem  
0–10 sekund: 1 pípnutí za sekundu  
11–20 sekund: 2 pípnutí za sekundu  
21–30 sekund: 4 pípnutí za sekundu  
31–120 sekund: Nepřetržitě pípání
7. Budík bude 2 minuty zvonit a pak se automaticky zruší. Stiskněte jakékoli jiné tlačítko pro vypnutí zvuku budíku a opětovnou aktivaci za 24 hodin.
8. Funkce opakovaného buzení: Když budík zvoní, stiskněte tlačítko **[SNOOZE/LIGHT]** pro aktivaci funkce opakovaného buzení na 5 minut – zobrazí se ikona opakovaného buzení **Z<sup>Z</sup>**. Po uplynutí času opakovaného buzení budík zazvoní.  
Zvonění opakovaného buzení bude trvat 2 minuty a pak se automaticky zruší. Pro vypnutí zvonění opakovaného buzení stiskněte jakékoli tlačítko s výjimkou tlačítka **[SNOOZE/LIGHT]**.
9. Pro úplnou deaktivaci budíku stiskněte ve standardním režimu tlačítko **[ALARM]** pro vypnutí budíku; ikona  pak zhasne.





## TEPLOTA A VLHKOST

### 1. Přepnutí °C/°F

Rozsah VNITŘNÍ teploty: -9,9 °C ~ 50 °C (14 °F ~ 122 °F)

Rozsah VENKOVNÍ teploty: -40 °C ~ 60 °C (-40 ~ 140 °F)

Rozsah zobrazení VNITŘNÍ vlhkosti: 1 % RH – 99 % RH

Rozsah zobrazení VENKOVNÍ vlhkosti: 10 % RH – 99 % RH

Při překročení rozsahu se zobrazí LL.L a HH.H

### 2. Trendy:

Ikona trendů se nezobrazí ihned po zapnutí.

Trend se zobrazí, když se teplota zvýší o 1 °C ve srovnání s posledními daty nebo zvýší o 1 °C během 1 hodiny;

Trend se zobrazí, když se vlhkost zvýší o 3 % ve srovnání s posledními daty nebo zvýší o 3 % během 1 hodiny;

a totéž platí i pro trendy snížení;

když je zvýšení/snížení menší než 1 °C nebo 3 % během 1 hodiny, ikona trendu se nezobrazí.

## PAMĚŤ

1. V normálním režimu zobrazení času stiskněte tlačítko **[▼/MEM]** pro zobrazení vnitřní a venkovní teploty a vlhkosti 3 kanálů. Sekvence záznamů: vnitřní/venkovní maximální teplota a vlhkost → vnitřní/venkovní minimální teplota a vlhkost. Pokud během 5 sekund neprovedete žádnou operaci, obnoví se zobrazení aktuální teploty a vlhkosti.

### 2. Max./Min.:

Maximální/minimální záznamy se automaticky smažou každý den v čase 00:00. Nebo můžete max./min. záznam ručně smazat podržením tlačítka **[▼/MEM]** v režimu zobrazení času. Smaže se záznam a zobrazí se aktuální hodnota.

## RF – VENKOVNÍ TEPLOTA A VLHKOST

1. Tato meteorologická stanice bude po zapnutí po dobu max. 3 minut automaticky přijímat signál vyslaný externím snímačem a během této doby bude blikat ikona příjmu signálu. Pokud není během 3 minut přijat žádný signál, ikona příjmu signálu zhasne a ukončí se příjem venkovního signálu. Opětovná synchronizace signálu bude znovu aktivována vždy další hodinu, dokud nebude získán signál a dokud se nezobrazí data na hlavní jednotce.
2. V režimu normálního zobrazení času stiskněte a minimálně 2 sekundy podržte tlačítko **[▲/CH]** pro ruční spuštění opětovné registrace RF signálu.
3. Pokud není během 2 hodin přijat žádný signál, zobrazí se u příslušného kanálu „--.-“.

## PROVOZ KANÁLU A SNÍMAČE

1. Tato meteorologická stanice podporuje připojení max. 3 snímačů.
2. Odstraňte kryt baterie na snímači a posuňte přepínač CH (Kanál) na CH1/CH2/CH3; zajistěte, aby měl každý snímač přiřazeno odlišné číslo KANÁLU.
3. Doporučujeme umístit snímač CH1 do venkovního prostředí pro přesnější předpověď počasí, a další snímače umístit na požadované místo.
4. Ve standardním režimu stiskněte tlačítko **[▲/CH]** pro zobrazení venkovní teploty a vlhkosti kanálu 1/2/3. Po přepnutí do tohoto režimu se budou na displeji automaticky cyklicky zobrazovat data 3



snímačů. Pokud chcete resetovat všechna data snímačů, stiskněte a 3 sekundy podržte tlačítko **[▲/CH]** pro opětovné připojení snímačů.






## POZNÁMKY

1. Hlavní jednotka a vysílač by měly být ve vzdálenosti alespoň 1,5–2 metry od jakýchkoli zdrojů rušení, jako například počítačových monitorů nebo televizorů.
2. Hlavní jednotka nesmí být umístěna v blízkosti kovových okenních rámu.
3. Nepoužívejte prosím další elektronické produkty, jako například sluchátka nebo reproduktory, pracující na stejné frekvenci signálu.
4. Rušení mohou rovněž způsobovat elektronická zařízení vašich sousedů používající stejnou frekvenci signálu.
5. Frekvence: 433,92 MHz
6. Vzdálenost pro příjem signálu: 80 metrů

## Opětovná synchronizace zařízení

Když se hodnoty teploty a vlhkosti venkovních snímačů na hlavní jednotce nezobrazují, zkuste prosím tato zařízení znovu synchronizovat. Nejprve se ujistěte, že je hlavní jednotka zapnutá a pak vložte baterie do snímačů – blikající červený indikátor na snímači signalizuje odeslání signálu do hlavní jednotky.

## PŘEDPOVĚĎ POČASÍ

IKONA POČASÍ					
Popis	Slunečno	Částečně zataženo	Zataženo	Děšť	Sněžení

Předpověď počasí na 12 hodin dopředu: Slunečno, Částečně zataženo, Zataženo, Děšť, Sněžení  
Zobrazení ikon počasí je založeno na hodinovém výpočtu vnitřní/venkovní teploty a vlhkosti. Tato meteorologická stanice předpovídá povětrnostní podmínky na dalších 12 hodin s přesností 70–75 %.  
Dálkový snímač by měl být umístěn do venkovního prostředí, abyste získali přesná venkovní data. Jinak bude ovlivněna přesnost předpovědi počasí.

Výchozí zobrazení počasí je Částečně zataženo; hlavní jednotka zkalibruje zprávy o počasí během 1–2 týdnů pomocí změn dat teploty a vlhkosti.

Dálkový snímač by měl být umístěn ve venkovním prostředí, abyste získali přesná venkovní data a aby nebyla ovlivněna přesnost předpovědi počasí.

## INDEX ÚROVNĚ POHODY

Úroveň pohody je zobrazena pomocí 3 stavů: DRY (Sucho), GOOD (Optimální), WET (Vlhko)

Úroveň pohody	Rozsah vlhkosti
Sucho	1–40 %
Optimální	41–75 %
Vlhko	≥ 76 %



## PODSVÍCENÍ

Když je základnová stanice napájena pouze z baterií, dotkněte se na 1 sekundu tlačítka **[SNOOZE/LIGHT]** v horní části pro chvilkové rozsvícení obrazovky na 20 sekund.

Při napájení pomocí adaptéru se dotkněte tlačítka **[SNOOZE/LIGHT]** pro úpravu jasu na BRIGHT (Vysoký) – DIM (Nizký) – OFF (Vypnuto).

## UPOZORNĚNÍ NA VYBITÉ BATERIE

Po instalaci baterií se provádí každou minutu kontrola stavu; v případě vybitých baterií se zobrazí indikátor vybitých baterií. V případě vybitých baterií doporučujeme vyměnit baterie, aby nedošlo k negativnímu ovlivnění provozu přístroje.

## VÝSTRAHA PŘED MRAZEM

Při teplotě v rozsahu 0~2,9 °C bude ikona sněžení ❄️ blikat;  
při teplotě nižší než 0 °C bude ikona sněžení ❄️ svítit.

## ZPŮSOBY INSTALACE

Meteorologickou stanicí lze umístit dvěma způsoby.

- Vyměňte kovové stojany v prostoru pro baterie a připevněte je k příslušným otvorům.
- Zavěste produkt pomocí příslušného otvoru na stěnu

Snímač lze umístit následujícími způsoby.

1. Pomocí otvoru v horní části zavěste zadní část snímače na hřebík.
2. Namontujte snímač na stěnu otočenou na sever nebo na jakékoli stinné místo. Je preferováno umístění pod okap nebo zábradlí na terase.
3. Maximální rozsah bezdrátového přenosu této meteorologické stanice je 80 metrů v otevřeném prostoru bez stěn a podlah.
4. Namontujte snímač svisle, aby mohla být správně odváděna vlhkost. Umístěte mimo přímé sluneční světlo a zajistěte, aby byl snímač dobře odvětrávaný.

## BEZPEČNOSTNÍ OPATŘENÍ

- Nečistěte žádnou část tohoto produktu benzenem, ředidlem, ani jinými chemickými rozpouštědly. Pokud je to nutné, očistěte produkt jemným hadříkem.
- Nikdy tento produkt neponořujte do vody. Došlo by k poškození produktu.
- Nevystavujte tento produkt působení nadměrné síly, otřesů nebo kolísání teploty či vlhkosti.
- Nezasahujte do vnitřních komponent.
- Nekombinujte staré baterie s novými nebo baterie různých typů.
- Nekombinujte v tomto produktu alkalické, standardní a dobíjecí baterie.
- Pokud budete tento produkt delší dobu skladovat, vyjměte z něj baterie.
- Nevyhazujte tento produkt do netříděného komunálního odpadu. Takový odpad je nutno zlikvidovat samostatně, speciálním způsobem.



## TECHNICKÉ ÚDAJE

<b>Rozsah měření vnitřní teploty</b>	-9,9°C až +50°C
<b>Rozsah měření venkovní teploty</b>	-40°C až +60°C
<b>Rozsah měření vnitřní vlhkosti</b>	1% až 99% RV
<b>Rozsah měření venkovní vlhkosti</b>	10% až 99% RV
<b>Zobrazení stupnice teploty</b>	volitelně v °C/°F
<b>Přenos na vzdálenost</b>	až do 80 m (v otevřeném prostoru)
<b>Frekvence vysílání senzoru</b>	433,92 MHz
<b>Napájecí adaptér hlavní jednotky</b>	DC 5 V / 1200 mA (součást příslušenství), Spotřeba: 6 W
<b>Záložní baterie hlavní jednotky</b>	3 x 1,5 V typ AAA (baterie nejsou součástí balení)
<b>Napájení senzoru</b>	2 x 1,5 V typ AA (baterie nejsou součástí balení)
<b>Rozměry hlavní jednotky (š/v/h)</b>	147 x 74 x 17 mm
<b>Rozměry bezdrátového snímače (š/v/h)</b>	38 x 100 x 22 mm
<b>Hmotnost hlavní jednotky</b>	173 g (včetně baterie, bez adaptéru)
<b>Hmotnost bezdrátového snímače</b>	32 g

## TECHNICKÉ ÚDAJE ADAPTÉRU

Jméno nebo ochranná známka výrobce, obchodní registrační číslo a adresa:	DONGGUAN SHIJIE HUAXU ELECTRONICS FACTORY, obchodní registrační číslo: 440429543, Adresa: No. 200, Technology East Road, Shijie TownDongguan City, Guangdong, P.R.China
Označení modelu:	HX075-0501200-AG-001
Vstupní napětí:	AC 100–240 V
Vstupní střídavá frekvence:	50/60 Hz
Výstupní napětí:	DC 5,0 V
Výstupní proud:	1,2 A
Výstupní výkon:	6,0 W
Průměrná účinnost v aktivním režimu:	≥ 75,00 %
Účinnost při nízké zátěži (10 %):	71,17 %
Spotřeba energie bez zátěže:	≤ 0,1 W



## POKYNY A INFORMACE K LIKVIDACI VYŘAZENÝCH OBALOVÝCH MATERIÁLŮ

Odneste obalový materiál do sběrného dvora k recyklaci.

### LIKVIDACE VYŘAZENÝCH ELEKTRICKÝCH A ELEKTRONICKÝCH ZAŘÍZENÍ



Tento symbol na produktu, příslušenství nebo obalu znamená, že s produktem nesmí být zacházeno jako s běžným domácím odpadem. Zlikvidujte prosím tento produkt ve sběrném dvoře určeném k recyklaci elektrických a elektronických zařízení. V některých státech EU nebo v jiných evropských zemích můžete vrátit při zakoupení ekvivalentního nového produktu starý produkt místnímu prodejci. Správnou likvidací tohoto produktu pomáháte chránit cenné přírodní zdroje a předcházet možným negativním dopadům na životní prostředí a lidské zdraví, ke kterým by mohlo dojít v důsledku nesprávné likvidace. Další podrobnosti vám poskytnou místní úřady nebo nejbližší sběrný dvůr. Za nesprávnou likvidaci tohoto typu odpadu vám může být ze zákona udělena pokuta.

#### Pro firmy v zemích Evropské unie

Pokud chcete zlikvidovat elektrické nebo elektronické zařízení, vyžádejte si potřebné informace od vašeho prodejce nebo dodavatele.

#### Likvidace v zemích mimo Evropskou unii

Požádejte o informace týkající se správné likvidace tohoto produktu místní úřady nebo vašeho prodejce.



Tento produkt vyhovuje požadavkům EU.

FAST ČR, a. s. tímto prohlašuje, že rádiové zařízení typu SWS 4100 vyhovuje Směrnici 2014/53/EU. Kompletní verzi prohlášení EU o shodě najdete na webové stránce: [www.sencor.cz](http://www.sencor.cz)

Text, design a technické údaje se mohou změnit bez předchozího upozornění a vyhrazuje si právo provádět takové změny

Originální verze je česká.

Výrobce: FAST ČR, a. s., U Sanitasu 1621, Říčany 251 01, Česká republika, [info@sencor.com](mailto:info@sencor.com)

Autorizovaná servisní střediska: Podrobné informace o autorizovaných servisních střediscích najdete na adrese [www.sencor.com](http://www.sencor.com).



# SENCOR®

## CZ Záruční podmínky

**Součástí balení tohoto výrobku není záruční list.**

Prodávající poskytuje kupujícímu na výrobek záruku v trvání 24 měsíců od převzetí výrobku kupujícím. Záruka se poskytuje za dále uvedených podmínek. Záruka se vztahuje pouze na nové spotřební zboží prodané spotřebiteli pro běžné domácí použití. Práva z odpovědnosti za vady (reklamací) může kupující uplatnit buď u prodávajícího, u kterého byl výrobek zakoupen nebo v níže uvedeném autorizovaném servisu. Kupující je povinen reklamaci uplatnit bez zbytečného odkladu, aby nedocházelo ke zhoršení vady, nejpozději však do konce záruční doby. Kupující je povinen poskytnout při reklamaci součinnost nutnou pro ověření existence reklamované vady. Do reklamačního řízení se přijímá pouze kompletní a z důvodů dodržení hygienických předpisů neznečištěný výrobek. V případě oprávněné reklamace se záruční doba prodlužuje o dobu od okamžiku uplatnění reklamace do okamžiku převzetí opraveného výrobku kupujícím nebo okamžiku, kdy je kupující po skončení opravy povinen výrobek převzít. Kupující je povinen prokázat svá práva reklamovat (doklad o zakoupení výrobku, záruční list, doklad o uvedení výrobku do provozu).

### **Záruka se nevztahuje zejména na:**

- vady, na které byla poskytnuta sleva;
- opotřebení a poškození vzniklé běžným užíváním výrobku;
- poškození výrobku v důsledku neodborné či nesprávné instalace, použití výrobku v rozporu s návodem k použití, platnými právními předpisy a obecně známými a obvyklými způsoby používání, v důsledku použití výrobku k jinému účelu, než ke kterému je určen;
- poškození výrobku v důsledku zanedbané nebo nesprávné údržby;
- poškození výrobku způsobené jeho znečištěním, nehodou a zásahem vyšší moci (živelná událost, požár, vniknutí vody);
- vady funkčnosti výrobku způsobené nevhodnou kvalitou signálu, rušivým elektromagnetickým polem apod. mechanické poškození výrobku (např. ulomení knoflíku, pád);
- poškození způsobené použitím nevhodných médií, náplní, spotřebního materiálu (baterie) nebo nevhodnými provozními podmínkami (např. vysoké okolní teploty, vysoká vlhkost prostředí, otřesy);
- poškození, úpravu nebo jiný zásah do výrobku provedený neoprávněnou nebo neautorizovanou osobou (servisem);
- případy, kdy kupující při reklamaci neprokáže oprávněnost svých práv (kdy a kde reklamovaný výrobek zakoupil);
- případy, kdy se údaje v předložených dokladech liší od údajů uvedených na výrobku;
- případy, kdy reklamovaný výrobek nelze ztotožnit s výrobkem uvedeným v dokladech, kterými kupující prokazuje svá práva reklamovat (např. poškození výrobního čísla nebo záruční plomba přístroje, přepisované údaje v dokladech).

### **Distributor:**

FAST ČR, a.s., U Sanitasu 1621, 251 01 Říčany

### **Servisní středisko:**

FAST ČR, a.s., Technická 1701, 251 01 Říčany, tel: 323 204 120

FAST ČR, a.s., areál GLP Park Brno Holubice, Holubice 552, 683 51 Holubice, tel: 531 010 295

Aktuální seznam servisních středisek pro ČR naleznete na [www.sencor.cz](http://www.sencor.cz).

Originální znění návodu je v českém jazyce, další jazykové mutace jsou tvořeny příslušným překladem.



Ďakujeme vám za kúpu tejto meteorologickej stanice s farebným displejom. Bola navrhnutá a zostavená pomocou inovátiivnych komponentov a techník umožňujúcich perfektné zobrazenie informácií. Tento prístroj je takisto vybavený vonkajším snímačom.

Pred použitím tohto produktu si, prosím, prečítajte celý návod na obsluhu a uschovajte ho na neskoršie použitie. Vyhradujeme si právo na akékoľvek chyby v textoch alebo obrázkoch, a právo na akékoľvek nevyhnutné zmeny technických údajov.

### **Vezmite, prosím, do úvahy:**

1. Iné bezdrôtové zariadenia používajúce rovnaké frekvenčné pásmo môžu znižovať prenosový dosah.
2. Dosah všetkých bezdrôtových zariadení závisí od typu prekážok vyskytujúcich sa medzi vysielačom a prijímačom (napr. betónová stena bude rušiť signál viac než sadrokartónová stena).

### **V prípade problémov skúste vykonať nasledujúce:**

1. Vypnite akékoľvek iné bezdrôtové zariadenie, aby ste zistili, či je príčinou problému.
2. Premiestnite akékoľvek iné bezdrôtové zariadenie. Skráťte vzdialenosť medzi vysielačom a prijímacím zariadením a obmedzte počet prekážok (steny, nábytok a pod.) medzi nimi.
3. Skúste vybrať a znovu vložiť batérie; ak sú batérie staré, vymeňte ich za nové.

## **BEZPEČNOSŤ A SPRIEVODCA**

Nečistite žiadnu časť tohto produktu benzénom, riedidlom, ani inými chemickými rozpúšťadlami. Ak je čistenie nutné, použite jemnú handričku.

Nepokúšajte sa tento produkt akokoľvek rozoberať alebo upravovať.

Nikdy neponárajte tento produkt do vody, inak hrozí nebezpečenstvo jeho poškodenia.

Nevystavujte tento produkt pôsobeniu extrémnej sily, otrasov alebo kolísaniu teploty či vlhkosti.

Nepoškodzuje vnútorné komponenty.

Nepoužívajte vybité batérie.

Nepoužívajte v tomto produkte rôzne typy batérií, ako napríklad alkalické, štandardné a dobijacie batérie.

Ak chcete tento produkt na dlhší čas uskladniť, vyberte z neho batérie, aby nedošlo k poškodeniu produktu elektrolytom z batérií.

Nevyhadzujte tento produkt do netriedeného komunálneho odpadu. Odneste ho na ekologickú likvidáciu do zberného dvora.

Nevystavujte hlavnú jednotku pôsobeniu dažďa alebo vlhkosti. Prenosový rozsah závisí od typu prekážok vyskytujúcich sa medzi vysielačom a prijímačom (napr. betónová stena bude rušiť signál viac, než sadrokartónová stena).

Namontujte snímač zvislo, aby sa mohla správne odvádzať vlhkosť. Umiestnite mimo priameho slnečného svetla a zaistite, aby bol snímač dobre odvetrávaný.

Hlavná jednotka a snímače by mali byť vzdialené aspoň 1,5 – 2 metre od akýchkoľvek zdrojov rušenia, ako napríklad počítačových monitorov alebo televízorov.

Hlavná jednotka nesmie byť umiestnená v blízkosti kovových okenných rámov.

Nepoužívajte, prosím, ďalšie elektronické produkty, ako napríklad slúchadlá alebo mikrofóny, pracujúce s rovnakou frekvenciou signálu. Rušenie môžu tiež spôsobovať elektronické zariadenia vašich susedov, pracujúce s rovnakou frekvenciou signálu (433,92 MHz).

Umiestnite hlavnú jednotku na suché miesto bez nečistôt a prachu. Aby bolo meranie teploty presné, nastavte tento produkt na priame slnečné svetlo a umiestnite ho dostatočne ďaleko od zdrojov tepla alebo vetracích otvorov.

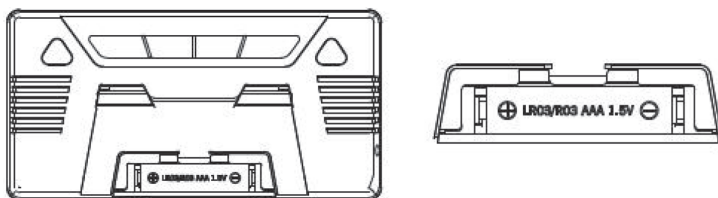


## OBSAH BALENIA

- 1× digitálna meteorologická stanica
  - 1× diaľkový snímač
  - 1× používateľská príručka
  - 1× napájací adaptér
- (Batérie nie sú súčasťou prísľušenstva)

## INŠTALÁCIA HLAVNEJ JEDNOTKY

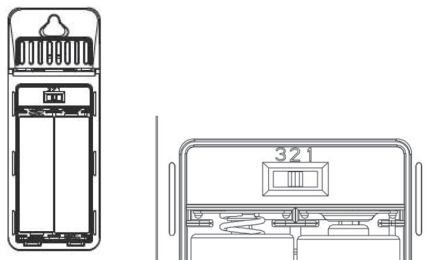
- Pred použitím tohto produktu odstráňte z LCD obrazovky ochrannú fóliu.
- Ak je pripojený napájací adaptér, nie je nutné používať batérie. V prípade odpojenia adaptéra sa však v takom prípade vynuluje nastavenie, a preto odporúčame vložiť do základňovej stanice batérie.
- Základňová stanica môže stáť na stole alebo ju môžete namontovať na stenu.



## INŠTALÁCIA SNÍMAČA

Základňová stanica podporuje pripojenie až 3 snímačov. Prepínač snímačov je umiestnený v priestore na batérie a je možné ho prepnúť do polohy 1, 2, 3 na synchronizáciu informácií z VONKAJŠIEHO Kanálu 1, Kanálu 2 a Kanálu 3.

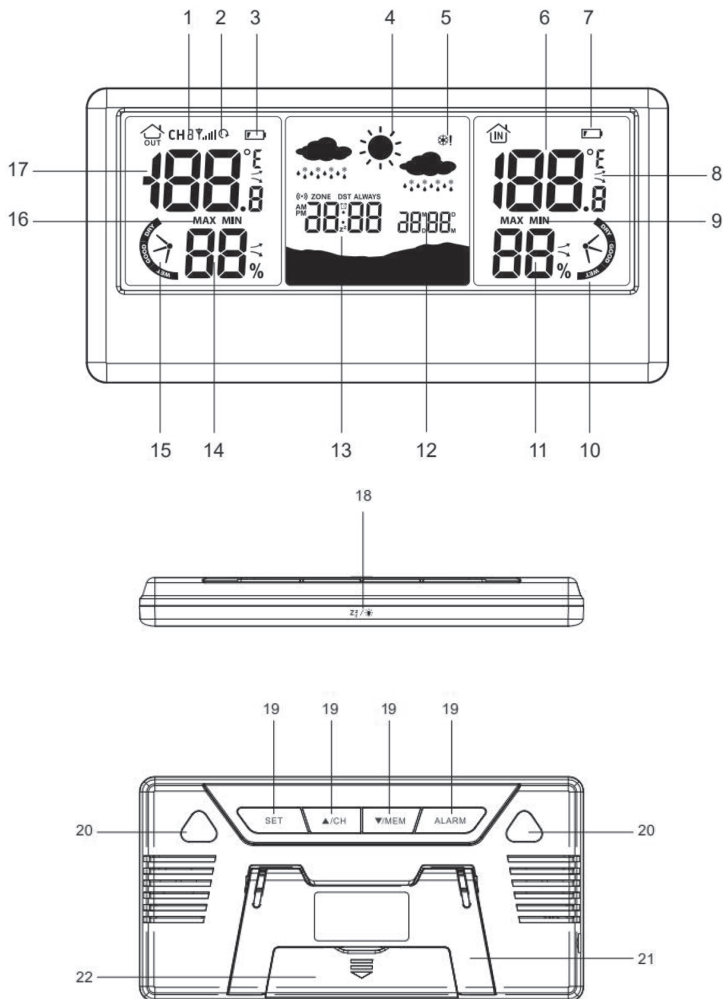
1. Odstráňte kryt priestoru na batérie a pomocou prepínača kanálov vyberte kanál (1, 2, 3).
2. Vložte 2 batérie AA so správnou polaritou (+ a -). Po tom, čo červený LED indikátor raz blikne, zostavte priestor na batérie.
3. Umiestnite snímač na požadované miesto.




## Indikátor vybitých batérií

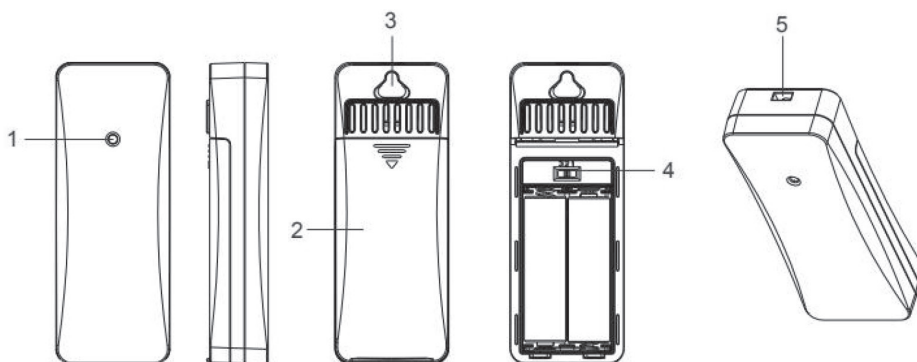
Ak je napätie batérií pre hlavnú jednotku nižšie než 3,6 V, alebo ak je napätie pre diaľkový snímač nižšie než 2,5 V, zobrazí sa na LCD displeji indikátor vybitých batérií. Pri napájaní pomocou sieťového adaptéra slúžia batérie na zálohovanie pamäte. Ak sa zobrazí indikátor vybitých batérií pre hlavnú jednotku, je napätie batérií v hlavnej jednotke menšie než 3,6 V. Skontrolujte, prosím, stav batérií. Aby nedošlo k vybitiu a skorodovaniu batérií a následnému poškodeniu jednotiek, vymeňte, prosím, batérie bezprostredne po zobrazení indikátora vybitých batérií. Používajte, prosím, suché alkalické batérie; nepoužívajte dobíjacie batérie.

## LCD DISPLEJ



1. Vonkajšia teplota a vlhkosť
2. Cyklické zobrazenie 3 vonkajších kanálov
3. Indikátor vybitých batérií (snímač)
4. Predpoveď počasia
5. Výstraha pred mrazom
6. Vnútorná teplota
7. Indikátor vybitých batérií (hlavná jednotka)
8. Trend teploty a vlhkosti
9. Max. a min. záznam vnútornej teploty a vlhkosti za 24 hodín
10. Indikátor pohody pre vnútorné prostredie
11. Vnútorná vlhkosť
12. Kalendár
13. Aktuálny čas
14. Vonkajšia vlhkosť
15. Indikátor pohody pre vonkajšie prostredie
16. Max. a min. záznam vonkajšej teploty a vlhkosti za 24 hodín
17. Vonkajšia teplota
18. Dotykové tlačidlo – **SNOOZE/LIGHT (Opakované budenie/Svetlo)** 
19. Tlačidlá **(SET (Nastavenie), ▲/CH (Kanál), ▼/MEM (Pamäť), ALARM (Budík))**
20. Otvor na zavesenie
21. Stojan
22. Kryt priestoru na batérie

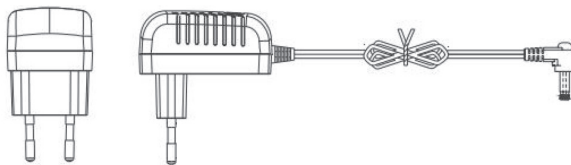
## SENZOR



1. LED svetlo
2. Kryt priestoru na batérie
3. Otvor na zavesenie
4. Prepínač kanálov
5. Otvor na zavesenie na šnúru

Keď červený LED indikátor bliká, odosiela sa signál do hlavnej jednotky.

## SIEŤOVÝ ADAPTÉR



## VLASTNOSTI

- Čas a kalendár (Deň/Mesiac/Rok)
- Voľba formátu 12/24 hodín
- Budík s funkciou opakovaného budenia
- Predpoveď počasia s 5 stavmi: slnečno, čiastočne zatiahnuté, zatiahnuté, dážď, sneženie
- Vnútoraná teplota a vlhkosť
- Vonkajšia teplota a vlhkosť
- Podpora až 3 snímačov (1 súčasťou príslušenstva)
- Funkcia automatického cyklického zobrazovania nameraných dát zo všetkých 3 vonkajších snímačov
- Max./min. pamäťové záznamy pre všetky vnútorné a vonkajšie teploty a vlhkosti
- Index trendu
- Voľba C/F (stupne Celzia/Fahrenheita)
- Indikátor pohody
- Max./min. záznamy v pamäti
- Indikátor vybitých batérií
- Funkcia zapnutia/vypnutia zvuku
- Prenosový rozsah: až 80 metrov v otvorenom priestore
- 3 režimy jasu: Vysoký/Nízky/Vypnuté
- Postavenie na stôl alebo zavesenie na stenu
- Prenosová frekvencia snímača: 433,92 MHz
- Napájanie hlavnej jednotky: 3× 1,5 V batéria typu AAA (nie sú súčasťou príslušenstva) a sieťový adaptér 5 V 1,2 A (dodávané príslušenstvo)
- Napájanie snímača: 2× 1,5 V batéria typu AA (nie sú súčasťou príslušenstva)

## NÁVOD NA OBSLUHU

		<b>[SET</b> <b>(Nastavenie)]</b>	<b>[▲/CH</b> <b>(Kanál)]</b>	<b>[▼/MEM</b> <b>(Pamät)]</b>	<b>[ALARM</b> <b>(Budík)]</b>	<b>[SNOOZE/LIGHT</b> <b>(Opakované budenie/ Svetlo)]</b>
Štandard- ný režim	Stlačenie tlačidla	-----	Prepnutie CH1/CH2/ CH3	Zobrazenie max. a min. záznamu	Zobrazenie času budíka, zapnutie/ vypnutie budíka	* Rozsvietenie pod- svietenia pri napájaní z batérií * Prepnutie na inú úroveň podsvietenia * Opakované budenie pri zvonení * Uloženie a ukonče- nie počas nastavo- vania
	Podrža- nie	Otvorenie na- stavenia času a kalendára	Zmazanie všetkých dát 3 kanálov a opakovaná kontrola nových dát	Zmazanie max./min. záznamu vnútornej a vonkajšej teploty	Otvorenie nastavenia budíka	-----
Nastave- nie času	Stlačenie tlačidla	Potvrdenie	Zvýšenie o 1 krok	Zníženie o 1 krok	-----	* Uloženie a ukončenie počas nastavovania
	Podržanie	Otvorenie nastavenia času	Rýchle zvýšenie	Rýchle zní- ženie	-----	-----
Nasta- venie budíka	Stlačenie tlačidla	-----	Zvýšenie	Zníženie	Potvrdenie	* Uloženie a ukončenie počas nastavovania
	Podržanie	-----	Rýchle zvýšenie	Rýchle zní- ženie	-----	-----
Režim zvonenia budíka	Stlačenie tlačidla	Zastavenie zvonenia budíka	Zastavenie zvonenia budíka	Zastavenie zvonenia budíka	Zastavenie zvonenia budíka	Zapnutie opakovaného budenia
	Podrža- nie	-----	-----	-----	-----	-----

Dotykové tlačidlo **[Snooze/Light]** by sa malo pre každú operáciu podržať 1 sekundu.

## SPRIEVODCA NASTAVENÍM

Stlačte a podržte tlačidlo **[SET]** na otvorenie režimu nastavenia Tone on/off (Zapnutie/vypnutie zvuku), 12/24 h, prepnutie C/F a nastavenie času.

Stlačte tlačidlo **[▲/CH]** na prepnutie kanálu 1/2/3, stlačte a 3 sekundy podržte tlačidlo **[▲/CH]** na rýchle zvýšenie hodnoty alebo zmazanie všetkých dát 3 kanálov a opätovnú registráciu nových dát  
Stlačte tlačidlo **[▼/MEM]** na zobrazenie max. a min. záznamu, stlačte a podržte tlačidlo **[▼/MEM]** na zmazanie max./min. záznamu pre vnútorné a vonkajšie prostredie

Stlačte tlačidlo **[ALARM]** na zobrazenie času a stavu budíka, stlačte a podržte tlačidlo **[ALARM]** na otvorenie režimu nastavenia budíka

Stlačte a podržte tlačidlo **[ALARM]** na otvorenie režimu nastavenia času budíka

Stlačte tlačidlo **[SNOOZE/LIGHT]** na rozsvietenie podsvietenia na 20 sekúnd pri napájaní z batérií.

Nastavenie sa uloží a ukončí sa; úroveň podsvietenia sa bude meniť v cykle vysoká – nízka – vypnuté.





Keď zvoní budík, stlačte akékoľvek tlačidlo na zastavenie zvonenia alebo stlačte tlačidlo **[SNOOZE/LIGHT]** na aktiváciu režimu opakovaného budenia s odložením zvonenia o 5 minút. Na ukončenie počas zvonenia alebo periódy opakovaného budenia stlačte akékoľvek tlačidlo.

## NASTAVENIE ČASU

1. V štandardnom režime stlačte tlačidlo **[SET]** a 3 sekundy ho podržte. Meteorologická stanica aktivuje režim nastavenia času a začne blikať nastavovaná číslica. Poradie nastavovania: Zapnutie/vypnutie zvuku pípnutia → 12/24 h → hodín → minút → rok → DM/MD → mesiac → deň → C/F → potvrdenie a ukončenie.  
**Počas nastavovania sa zobrazí iba číslica nastavenia; ďalšie časti budú neviditeľné.**
2. Stlačením tlačidla **[▲/CH]** alebo **[▼/MEM]** zmeňte položku nastavenia na požadované hodnoty; stlačte tlačidlo **[▲/CH]** na zvýšenie nastavovanej hodnoty o 1, stlačte a podržte počas nastavovania tlačidlo **[▲/CH]** na rýchle zvýšenie hodnoty. Stlačte tlačidlo **[▼/MEM]** na zníženie nastavovanej hodnoty o 1, stlačte a podržte počas nastavovania tlačidlo **[▼/MEM]** na rýchle zníženie hodnoty.
3. Ak počas 20 sekúnd nevykonáte žiadnu operáciu, nastavenie sa automaticky potvrdí a nastavovanie sa ukončí.
4. Potvrďte nastavenie stlačením tlačidla **[SET]**.
5. Ak nevykonáte počas 20 sekúnd žiadnu operáciu, aktuálne nastavenie sa uloží a nastavovanie sa ukončí.

## BUDÍK A OPAKOVANÉ BUDENIE

1. Stlačením tlačidla **[ALARM]** môžete skontrolovať čas budenia alebo stav zapnutia/vypnutia budíka. Keď je budík zapnutý, zobrazuje sa ikona budíka . Ak 5 sekúnd nevykonáte žiadnu operáciu, obnoví sa normálny režim zobrazenia času.
2. Stlačte a podržte tlačidlo budíka na otvorenie nastavenia budíka. Nastavovaná číslica bude blikať.
3. Poradie nastavovania: Hodiny – Minúty – Ukončiť.
4. Stlačením tlačidla **[▲/CH]** alebo **[▼/MEM]** zmeňte položky nastavenia na požadované hodnoty;
5. Ak 20 sekúnd nevykonáte žiadnu operáciu, nastavenie sa automaticky uloží a nastavovanie sa ukončí.
6. Budík bude zvoniť 2 minúty nasledujúcim spôsobom  
0 – 10 sekúnd: 1 pípnutie za sekundu  
11 – 20 sekúnd: 2 pípnutia za sekundu  
21 – 30 sekúnd: 4 pípnutia za sekundu  
31 – 120 sekúnd: Nepretržité pípanie
7. Budík bude 2 minúty zvoniť a potom sa automaticky zruší. Stlačte akékoľvek iné tlačidlo na vypnutie zvuku budíka a opätovnú aktiváciu za 24 hodín.
8. Funkcia opakovaného budenia: Keď budík zvoní, stlačte tlačidlo **[SNOOZE/LIGHT]** na aktiváciu funkcie opakovaného budenia na 5 minút – zobrazí sa ikona opakovaného budenia **Z<sup>2</sup>**. Po uplynutí času opakovaného budenia budík zazvoní.  
Zvonenie opakovaného budenia bude trvať 2 minúty a potom sa automaticky zruší. Na vypnutie zvonenia opakovaného budenia stlačte akékoľvek tlačidlo s výnimkou tlačidla **[SNOOZE/LIGHT]**.
9. Na úplnú deaktiváciu budíka stlačte v štandardnom režime tlačidlo **[ALARM]** na vypnutie budíka; ikona  potom zhasne.





## TEPLOTA A VLHKOSŤ

### 1. Prepnutie °C/°F

Rozsah VNÚTORNEJ teploty: -9,9 °C ~ 50 °C (14 °F ~ 122 °F)

Rozsah VONKAJŠEJ teploty: -40 °C ~ 60 °C (-40 ~ 140 °F)

Rozsah zobrazenia VNÚTORNEJ vlhkosti: 1 % RH – 99 % RH

Rozsah zobrazenia VONKAJŠEJ vlhkosti: 10 % RH – 99 % RH

Pri prekročení rozsahu sa zobrazí LL.L a HH.H

### 2. Trendy:

Ikona trendov sa nezobrazí ihneď po zapnutí.

Trend sa zobrazí, keď sa teplota zvýši o 1 °C v porovnaní s poslednými dátami alebo zvýši o 1 °C počas 1 hodiny;

Trend sa zobrazí, keď sa vlhkosť zvýši o 3 % v porovnaní s poslednými dátami alebo zvýši o 3 % počas 1 hodiny;

a to isté platí aj pre trendy zníženia;

keď je zvýšenie/zníženie menšie než 1 °C alebo 3 % počas 1 hodiny, ikona trendu sa nezobrazí.

## PAMÄŤ

1. V normálnom režime zobrazenia času stlačte tlačidlo **[▼/MEM]** na zobrazenie vnútornej a vonkajšej teploty a vlhkosti 3 kanálov. Sekvencia záznamov: vnútorná/vonkajšia maximálna teplota a vlhkosť → vnútorná/vonkajšia minimálna teplota a vlhkosť. Ak 5 sekúnd nevykonáte žiadnu operáciu, obnoví sa zobrazenie aktuálnej teploty a vlhkosti.

### 2. Max./Min.:

Maximálne/minimálne záznamy sa automaticky zmažú každý deň v čase 00:00. Alebo môžete max./min. záznam ručne zmažať podržaním tlačidla **[▼/MEM]** v režime zobrazenia času. Zmaže sa záznam a zobrazí sa aktuálna hodnota.

## RF – VONKAJŠIA TEPLOTA A VLHKOSŤ

1. Táto meteorologická stanica bude po zapnutí počas max. 3 minút automaticky prijímať signál vysielaný externým snímačom a za tento čas bude blikať ikona príjmu signálu. Ak nie je počas 3 minút prijatý žiadny signál, ikona príjmu signálu zhasne a ukončí sa príjem vonkajšieho signálu. Opätovná synchronizácia signálu bude znovu aktivovaná vždy ďalšiu hodinu, kým nebude získaný signál a kým sa nezobrazia dáta na hlavnej jednotke.
2. V režime normálneho zobrazenia času stlačte a minimálne 2 sekundy podržte tlačidlo **[▲/CH]** na ručné spustenie opätovnej registrácie RF signálu.
3. Ak nie je počas 2 hodín prijatý žiadny signál, zobrazí sa pri príslušnom kanáli „--.-“.

## PREVÁDZKA KANÁLU A SNÍMAČA

1. Táto meteorologická stanica podporuje pripojenie max. 3 snímačov.
2. Odstráňte kryt batérie na snímači a posuňte prepínač CH (Kanál) na CH1/CH2/CH3; zaistíte, aby mal každý snímač priradené odlišné číslo KANÁLU.
3. Odporúčame umiestniť snímač CH1 do vonkajšieho prostredia pre presnejšiu predpoveď počasia, a ďalšie snímače umiestniť na požadované miesto.
4. V štandardnom režime stlačte tlačidlo **[▲/CH]** na zobrazenie vonkajšej teploty a vlhkosti kanálu 1/2/3. Po prepnutí do tohto režimu sa budú na displeji automaticky cyklicky zobrazovať dáta 3 snímačov.



Ak chcete resetovať všetky dáta snímačov, stlačte a 3 sekundy podržte tlačidlo **[▲/CH]** na opätovné pripojenie snímačov.






## POZNÁMKY

1. Hlavná jednotka a vysielač by mali byť vo vzdialenosti aspoň 1,5 – 2 metre od akýchkoľvek zdrojov rušenia, ako napríklad počítačových monitorov alebo televízorov.
2. Hlavná jednotka nesmie byť umiestnená v blízkosti kovových okenných rámov.
3. Nepoužívajte, prosím, ďalšie elektronické produkty, ako napríklad slúchadlá alebo reproduktory, pracujúce na rovnakej frekvencii signálu.
4. Rušenie môžu tiež spôsobovať elektronické zariadenia vašich susedov používajúce rovnakú frekvenciu signálu.
5. Frekvencia: 433,92 MHz
6. Vzdialenosť na príjem signálu: 80 m

## Opätovná synchronizácia zariadenia

Keď sa hodnoty teploty a vlhkosti vonkajších snímačov na hlavnej jednotke nezobrazujú, skúste, prosím, tieto zariadenia znovu synchronizovať. Najprv sa uistite, že je hlavná jednotka zapnutá a potom vložte batérie do snímačov – blikajúci červený indikátor na snímači signalizuje odosielanie signálu do hlavnej jednotky.

## PREDPOVEĎ POČASIA

IKONA POČASIA					
Popis	Slniečno	Čiastočne zatahnuté	Zamračené	Dážď	Sneženie

Predpoveď počasia na 12 hodín dopredu: Slniečno, Čiastočne zatahnuté, Zatiahnuté, Dážď, Sneženie  
Zobrazenie ikon počasia je založené na hodinovom výpočte vnútornej/vonkajšej teploty a vlhkosti. Táto meteorologická stanica predpovedá poveternostné podmienky na ďalších 12 hodín s presnosťou 70 – 75 %.

Diaľkový snímač by mal byť umiestnený do vonkajšieho prostredia, aby ste získali presné vonkajšie dáta. Inak bude ovplyvnená presnosť predpovede počasia.

Východiskové zobrazenie počasia je Čiastočne zatahnuté; hlavná jednotka skalibruje správy o počasi počas 1 – 2 týždňov pomocou zmien dát teploty a vlhkosti.

Diaľkový snímač by mal byť umiestnený vo vonkajšom prostredí, aby ste získali presné vonkajšie dáta a aby nebola ovplyvnená presnosť predpovede počasia.

## INDEX ÚROVNE POHODY

Úroveň pohody je zobrazená pomocou 3 stavov: DRY (Sucho), GOOD (Optimálna), WET (Vlhko)

Úroveň pohody	Rozsah vlhkosti
Sucho	1 – 40 %
Optimálna	41 – 75 %
Vlhko	≥ 76 %

## PODSVIETENIE

Keď je základňová stanica napájaná iba z batérií, dotknite sa na 1 sekundu tlačidla **[SNOOZE/LIGHT]** v hornej časti na chvilkové rozsvietenie obrazovky na 20 sekúnd.

Pri napájaní pomocou adaptéra sa dotknite tlačidla **[SNOOZE/LIGHT]** na úpravu jasu na BRIGHT (Vysoký) – DIM (Nízky) – OFF (Vypnuté).

## UPOZORNENIE NA VYBITÉ BATÉRIE

Po inštalácii batérií sa vykonáva každú minútu kontrola stavu; v prípade vybitých batérií sa zobrazí indikátor vybitých batérií. V prípade vybitých batérií odporúčame vymeniť batérie, aby nedošlo k negatívnemu ovplyvneniu prevádzky prístroja.

## VÝSTRAHA PRED MRAZOM

Pri teplote v rozsahu 0 ~ 2,9 °C bude ikona sneženia \*!\*, blikať;  
pri teplote nižšej než 0 °C bude ikona sneženia \*!\*, svietiť.

## SPÔSOBY INŠTALÁCIE

Meteorologickú stanicu je možné umiestniť dvoma spôsobmi.

- Vyberte kovové stojany v priestore na batérie a pripveňte ich k príslušným otvorom.
- Zaveďte produkt pomocou príslušného otvoru na stenu

Snímač je možné umiestniť nasledujúcimi spôsobmi.

1. Pomocou otvoru v hornej časti zaveďte zadnú časť snímača na klíнец.
2. Namontujte snímač na stenu otočenú na sever alebo na akékoľvek tienisté miesto. Je preferované umiestnenie pod odkvap alebo zábradlie na terase.
3. Maximálny rozsah bezdrôtového prenosu tejto meteorologickej stanice je 80 metrov v otvorenom priestore bez stien a podláh.
4. Namontujte snímač zvislo, aby sa mohla správne odvádzať vlhkosť. Umiestnite mimo priameho slnečného svetla a zaistite, aby bol snímač dobre odvetrávaný.

## BEZPEČNOSTNÉ OPATRENIA

- Nečistite žiadnu časť tohto produktu benzénom, riedidlom, ani inými chemickými rozpúšťadlami. Ak je to nutné, očistite produkt jemnou handričkou.
- Nikdy tento produkt neponárajte do vody. Došlo by k poškodeniu produktu.
- Nevystavujte tento produkt pôsobeniu nadmernej sily, otrasov alebo kolísaniu teploty či vlhkosti.
- Nezasahujte do vnútorných komponentov.
- Nekombinujte staré batérie s novými alebo batérie rôznych typov.
- Nekombinujte v tomto produkte alkalické, štandardné a dobijacie batérie.
- Ak budete tento produkt dlhší čas skladovať, vyberte z neho batérie.
- Nevyhadzujte tento produkt do netriedeného komunálneho odpadu. Taký odpad je nutné zlikvidovať samostatne, špeciálnym spôsobom.

## TECHNICKÉ ÚDAJE

<b>Rozsah merania vnútornej teploty</b>	-9,9 °C až +50 °C
<b>Rozsah merania vonkajšej teploty</b>	-40 °C až +60 °C
<b>Rozsah merania vnútornej vlhkosti</b>	1 % až 99 % RV
<b>Rozsah merania vonkajšej vlhkosti</b>	10 % až 99 % RV
<b>Zobrazenie stupnice teploty</b>	voliteľne v °C/°F
<b>Prenos na vzdialenosť</b>	až do 80 m (v otvorenom priestore)
<b>Frekvencia vysielania senzora</b>	433,92 MHz
<b>Napájací adaptér hlavnej jednotky</b>	DC 5 V/1200 mA (súčasť príslušenstva), Spotreba: 6 W
<b>Záložná batéria hlavnej jednotky</b>	3× 1,5 V typ AAA (batérie nie sú súčasťou balenia)
<b>Napájanie senzora</b>	2× 1,5 V typ AA (batérie nie sú súčasťou balenia)
<b>Rozmery hlavnej jednotky (š/v/h)</b>	147 × 74 × 17 mm
<b>Rozmery bezdrôtového snímača (š/v/h)</b>	38 × 100 × 22 mm
<b>Hmotnosť hlavnej jednotky</b>	173 g (vrátane batérie, bez adaptéra)
<b>Hmotnosť bezdrôtového snímača</b>	32 g

## TECHNICKÉ ÚDAJE ADAPTÉRA

Meno alebo ochranná známka výrobcu, obchodné registračné číslo a adresa:	DONGGUAN SHIJIE HUAXU ELECTRONICS FACTORY, obchodné registračné číslo: 440429543, Adresa: No. 200, Technology East Road, Shijie TownDongguan City, Guangdong, P.R.China
Označenie modelu:	HX075-0501200-AG-001
Vstupné napätie:	AC 100 – 240 V
Vstupná striedavá frekvencia:	50/60 Hz
Výstupné napätie:	DC 5,0 V
Výstupný prúd:	1,2 A
Výstupný výkon:	6,0 W
Priemerná účinnosť v aktívnom režime:	≥ 75,00 %
Účinnosť pri nízkej záťaži (10 %):	71,17%
Spotreba energie bez záťaže:	≤ 0,1 W

## POKYNY A INFORMÁCIE PRE LIKVIDÁCIU VYRADENÝCH OBALOVÝCH MATERIÁLOV

Odnesť obalový materiál do zberného dvora na recykláciu.

## LIKVIDÁCIA VYRADENÝCH ELEKTRICKÝCH A ELEKTRONICKÝCH ZARIADENÍ



Tento symbol na produkte, príslušenstve alebo obale znamená, že sa s produktom nesmie zaobchádzať ako s bežným domovým odpadom. Zlikvidujte, prosím, tento produkt v zbernom dvore určenom na recykláciu elektrických a elektronických zariadení. V niektorých štátoch EÚ alebo v iných európskych krajinách môžete vrátiť pri kúpe ekvivalentného nového produktu starý produkt miestnemu predajcovi. Správnou likvidáciou tohto produktu pomáhate chrániť cenné prírodné zdroje a predchádzať možným negatívnym dopadom na životné prostredie a ľudské zdravie, ku ktorým by mohlo dôjsť v dôsledku nesprávnej likvidácie. Ďalšie podrobnosti vám poskytnú miestne úrady alebo najbližší zberný dvor. Za nesprávnu likvidáciu tohto typu odpadu vám môže byť zo zákona udelená pokuta.

### Pre firmy v krajinách Európskej únie

Ak chcete zlikvidovať elektrické alebo elektronické zariadenie, vyžiadajte si potrebné informácie od vášho predajcu alebo dodávateľa.

### Likvidácia v krajinách mimo Európskej únie

Požiadajte o informácie týkajúce sa správnej likvidácie tohto produktu miestne úrady alebo vášho predajcu.



Tento produkt vyhovuje požiadavkám EÚ.

FAST ČR, a. s., týmto vyhlasuje, že rádiové zariadenie typu SWS 4100 vyhovuje Smernici 2014/53/EÚ. Kompletnú verziu vyhlásenia EÚ o zhode nájdete na webovej stránke: [www.sencor.cz](http://www.sencor.cz)

Text, dizajn a technické údaje sa môžu zmeniť bez predchádzajúceho upozornenia a vyhradujeme si právo vykonávať takéto zmeny.

Originálna verzia je česká.

Výrobca: FAST ČR, a. s., U Sanitasu 1621, Říčany 251 01, Česká republika, [info@sencor.com](mailto:info@sencor.com)

Autorizované servisné strediská: Podrobné informácie o autorizovaných servisných strediskách nájdete na adrese [www.sencor.com](http://www.sencor.com).

# SENCOR®

## SK Záručné podmienky

**Záručný list nie je súčasťou balenia zariadenia.**

Predávajúci poskytuje kupujúcemu na výrobok 24 mesiacov záruku od jeho prevzatia kupujúcim. Záruka sa poskytuje ďalej za nižšie uvedených podmienok. Záruka sa vzťahuje iba na spotrebný tovar predaný spotrebiteľovi na bežné domáce použitie. Práva zo zodpovednosti za chyby (reklamácie) môže kupujúci uplatniť buď u predávajúceho, u ktorého bol výrobok zakúpený alebo v nižšie uvedenom autorizovanom servise. Kupujúci je povinný reklamáciu uplatniť bez zbytočného odkladu, aby nedochádzalo ku zhoršeniu chyby, najneskôr však do konca záručnej doby. Kupujúci je povinný pri reklamacii spolupracovať pri overení existencie reklamovanej chyby. Do reklamačného procesu sa prijíma iba kompletný a z dôvodu dodržania hygienických predpisov neznečistený výrobok. V prípade oprávnenej reklamácie sa záručná doba predlžuje o dobu od okamžiku uplatnenia reklamácie do okamžiku prevzatia opraveného výrobku kupujúcim, kedy je kupujúci po skončení opravy povinný výrobok prevziať. Kupujúci je povinný preukázať svoje práva reklamovať (doklad o zakúpení výrobku, záručný list, doklad o uvedení výrobku do prevádzky).

### **Záruka sa nevzťahuje na:**

- chyby, na ktoré boli poskytnuté zľavy;
- opotrebenia a poškodenia vzniknuté bežným užívaním výrobku;
- poškodenie výrobku v dôsledku neodbornej či nesprávnej inštalácie, použitie výrobku v rozpore s návodom na použitie s platnými právnymi predpismi a všeobecne známymi a obvyklými spôsobmi používania, v dôsledku použitia výrobku za iným účelom, než na ktorý je určený;
- poškodenie výrobku v dôsledku zanedbanej alebo nesprávnej údržby;
- poškodenie výrobku spôsobené jeho znečistením, nehodou a zásahom vyššej moci (živelná udalosť, požiar, vniknutie vody);
- chyby funkčnosti výrobku spôsobené nevhodnou kvalitou signálu, rušivým elektromagnetickým poľom a pod.;
- mechanické poškodenie výrobku (napr. ztopenie gombíka, pád);
- poškodenie spôsobené použitím nevhodných médií, náplní, spotrebného materiálu (batérie) alebo nevhodnými prevádzkovými podmienkami (napr. vysoké teploty v okolí, vysoká vlhkosť prostredia, otrasy);
- poškodenie, úpravu alebo iný zásah do výrobku spôsobený neoprávnenou alebo neautorizovanou osobou (servisom) prípady, keď kupujúci pri reklamacii nepreukáže oprávnenosť svojich práv (kedy a kde reklamovaný výrobok zakúpil);
- prípady, keď sa údaje v predložených dokladoch líšia od údajov uvedených na výrobku;
- prípady, keď reklamovaný výrobok sa nestotožňuje s výrobkom uvedeným v dokladoch, ktorými kupujúci preukazuje svoje práva reklamovať (napr. poškodenie výrobného čísla alebo záručnej plomby prístroja, prepisované údaje v dokladoch).

### **Adresa výrobcu:**

FAST ČR, a.s., U Sanitasu 1621, Říčany 251 01, Czech Republic

### **Distribútor:**

FAST PLUS a.s., Vlčie hrdlo 324/90, 821 07 Bratislava, tel: 249 105 890

### **Servisné stredisko:**

FAST PLUS, a.s., Na pántoch 18, Bratislava 831 06, Slovakia; tel: 02 49 1058 53-54

Pôvodná verzia príručky je v češtine, ostatné jazykové verzie sú príslušné preklady.



Köszönjük, hogy megvásárolta ezt a színes kijelzős meteorológiai állomást. Olyan innovatív komponensek és technikák segítségével készült, amelyek lehetővé teszik az információk tökéletes megjelenítését. A készülékhez külső érzékelő is tartozik. A termék használata előtt, kérjük, olvassa el a teljes használati útmutatót, és őrizze meg későbbi használat céljából. Fenntartjuk a jogot a szövegben vagy képekben felmerülő esetleges hibákra, és a műszaki adatok bármilyen szükséges módosítására.

### **Kérjük, vegye figyelembe:**

1. Más, azonos frekvenciasávot használó vezeték nélküli készülék csökkentheti az átvitel hatótávolságát.
2. Minden vezeték nélküli berendezés hatótávolsága az adó- és a vevőkészülék közti esetleges akadályok típusától függ (pl. a betonfal jobban zavarja a jelet, mint a gipszkarton fal).

### **Probléma esetén próbálja meg elvégezni az alábbiakat:**

1. Kapcsolja ki a többi vezeték nélküli eszközt, hogy ellenőrizze, ezek okozzák-e a problémát.
2. Helyezze át az esetleges más vezeték nélküli készülékeket. Csökkentse a távolságot az adó- és a vevőkészülék között, és csökkentse az akadályok (falak, bútorok stb.) mennyiségét közöttük.
3. Próbálja meg kivenni és visszatenni az elemeket; ha az elemek régiiek, cserélje ki őket.

## **BIZTONSÁG ÉS ÚTMUTATÓ**

A termék egyetlen alkatrészét se tisztítsa benzinnel, higítóval vagy egyéb vegyi oldószerral. Ha tisztításra van szükség, használjon puha rongyot.

Semmilyen módon ne próbálja szétszerelni vagy módosítani a terméket.

Soha ne merítse ezt a terméket vízbe, mert fennáll a károsodás veszélye.

Ezt a terméket ne tegye ki túl nagy erőnek, rázkódásnak, hő- vagy páraingadozásnak.

Ne okozzon sérülést a belső alkatrészekben.

Ne használjon lemerült elemet.

Ebben a termékben ne használjon különböző típusú elemeket, például alkáli, normál és újratölthető elemeket.

Ha hosszabb ideig kívánja tárolni ezt a terméket, kérjük, vegye ki az elemeket a termékből, hogy elkerülje a termék elem elektrolitok általi károsodását.

Ne dobja ki a terméket a vegyes háztartási hulladék közé. Vigye el környezetbarát megsemmisítésre egy hulladékgyűjtő udvarba.

Ne tegye ki a főegységet esőnek vagy nedvességnek. Az átviteli hatótáv az adó- és a vevőkészülék közti esetleges akadályok típusától függ (pl. a betonfal jobban zavarja a jelet, mint a gipszkarton fal).

Az érzékelőt függőlegesen szerelje fel, hogy a nedvesség megfelelően távozhasson. Tartsa távol a közvetlen napfénytől, és gondoskodjon az érzékelő megfelelő szellőzéséről.

A főegységnek és az érzékelőknek legalább 1,5 – 2 méter távolságra kell lenniük bármilyen zavarforrástól, mint pl.

számítógép monitorok vagy televíziók.

A főegységet nem szabad fém ablakpárkány közelébe tenni.

Ne használjon más elektronikus készüléket, pl. fülhallgatót vagy mikrofont, ami ugyanazon a jelfrekvencián működik. A zavarást a szomszédok azonos jelfrekvencián (433,92 MHz) működő elektronikus eszközei is okozhatják.

Helyezze a főegységet száraz, szennyeződéstől és portól mentes helyre. A pontos hőmérsékletmérés érdekében ne tegye ki a terméket közvetlen napfénynek, és tegye elég távol a hőforrásoktól vagy szellőzőnyílásoktól.

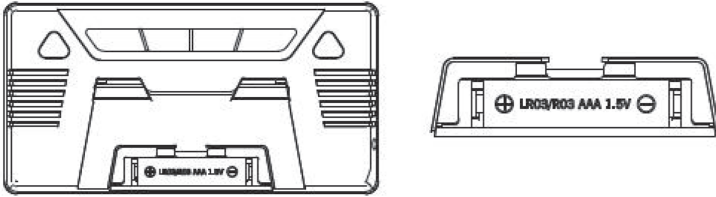


## A CSOMAG TARTALMA

- 1× Digitális meteorológiai állomás
  - 1× Távoli érzékelő
  - 1× Használati útmutató
  - 1× Tápadapter
- (Az elem nem tartozék)

## A FŐEGYSÉG ÖSSZEÁLLÍTÁSA

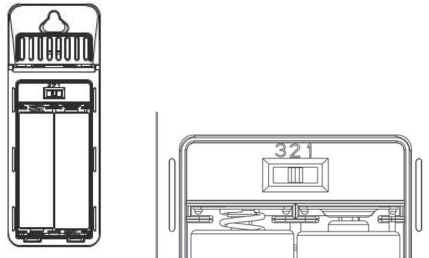
- A termék használata előtt távolítsa el a védőfóliát az LCD-képernyőről.
- Ha a hálózati adapter csatlakoztatva van, nincs szükség elemek használatára. Az adapter leválasztása azonban ebben az esetben visszaállítja a beállításokat, ezért javasoljuk, hogy helyezzen be elemeket a bázisállomásba.
- A bázisállomás asztalon állhat, vagy falra is szerelheti.



## AZ ÉRZÉKELŐ ÖSSZEÁLLÍTÁSA

Ez az állomás akár 3 érzékelő csatlakoztatását támogatja. Az érzékelő kapcsoló az elemtartóban található, és az 1., 2., 3. állásba kapcsolható az 1., 2. és 3. KÜLSŐ csatorna információinak szinkronizálásához.

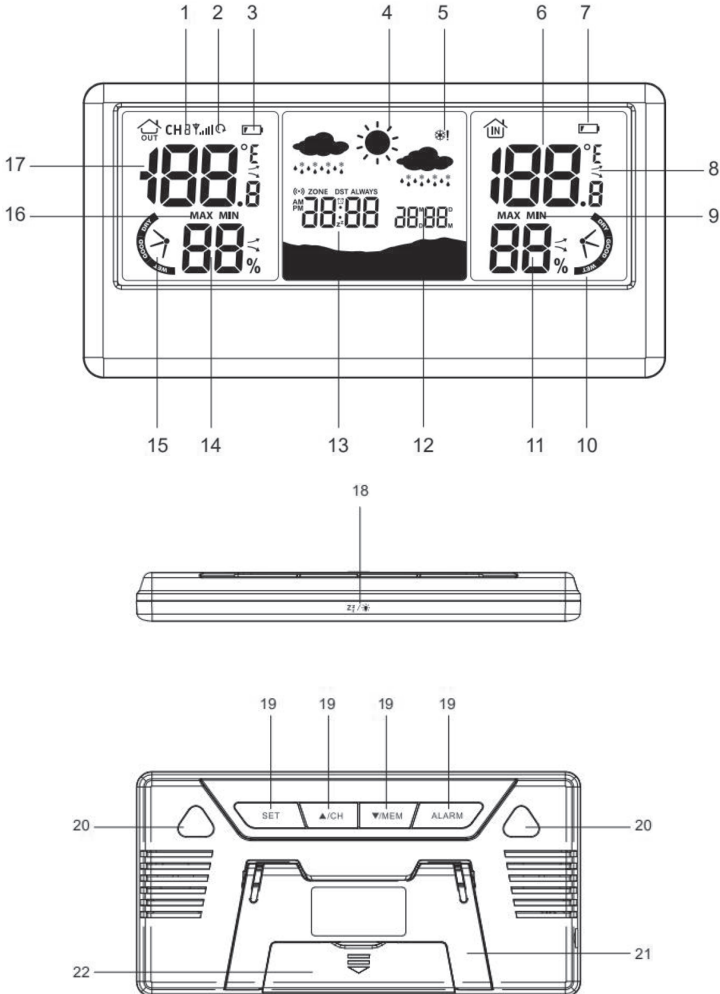
1. Távolítsa el az elemtartó rekesz fedelét, és a csatornaváltóval válasszon csatornát (1, 2, 3).
2. Tegyen be 2 AA elemet megfelelő polaritással (+ és -). Miután a piros LED egyszer felvilág, szerelje össze az elemtartót.
3. Helyezze az érzékelőt a kívánt helyre.



## A lemerült elemek jelzése

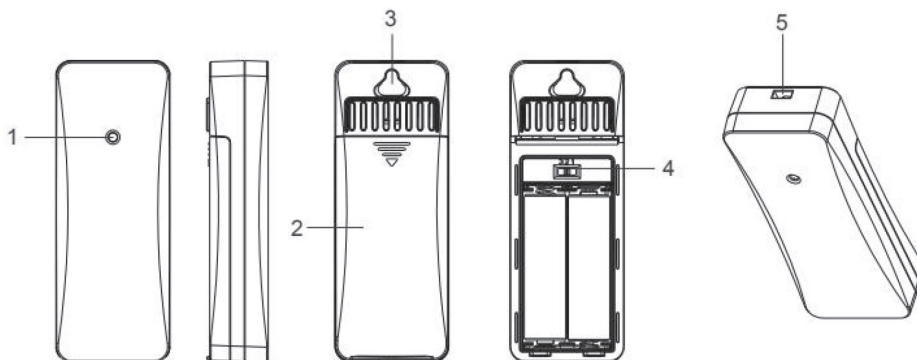
Ha a főegység elemeinek feszültsége kevesebb mint 3,6 V, vagy ha a távoli érzékelő feszültsége kevesebb mint 2,5 V, a meteorológiai állomás kijelzőjén megjelenik a lemerült elemek jelzése. Hálózati adatterről táplálva az akkumulátor tartalék memóriaként szolgál. Ha a főegység alacsony elemfeszültség-jelzője megjelenik, akkor a főegység elemfeszültsége kisebb, mint 3,6 V. Kérjük, ellenőrizze az elemek állapotát. Annak érdekében, hogy az elem ne merüljön le teljesen és ne korrodálódjon, ami az egység meghibásodását okozhatja, a lemerült elem jel megjelenése után azonnal cserélje ki az elemeket. Száraz alkáli elemet használjon; ne használjon tölthető elemeket.

## LCD-KIJELZŐ



1. Külső hőmérséklet és páratartalom
2. 3 kültéri csatorna ciklikus megjelenítése
3. A lemerült elem indikátora (érzékelő)
4. Időjárás-előrejelzés
5. Fagyjelzés
6. Beltéri hőmérséklet
7. A lemerült elem indikátora (főegység)
8. A hőmérséklet és a páratartalom alakulása
9. A 24-órás max. és min. beltéri hőmérséklet és páratartalom megjegyzése
10. A bent lévő kényelmi szint jelzése
11. Beltéri páratartalom
12. Naptár
13. Jelenlegi idő
14. Kültéri páratartalom
15. A kinti kényelmi szint jelzése
16. A 24-órás max. és min. kültéri hőmérséklet és páratartalom megjegyzése
17. Külső hőmérséklet
18. Érintőgomb – **SNOOZE/LIGHT (Ismételt ébresztés/Világítás) Z<sub>z</sub>/☀️**
19. **(SET (Beállítások), ▲/CH (Csatorna), ▼/MEM (Memória), ALARM (Ébresztőóra))** gombok
20. Nyílás a falra akasztáshoz
21. Állvány
22. Az elemtartó rekesz fedele

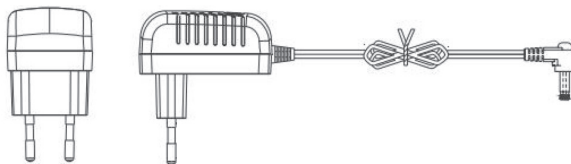
## ÉRZÉKELŐ



1. LED fény
2. Az elemtartó rekesz fedele
3. Nyílás a falra akasztáshoz
4. Csatornakapcsoló
5. Nyílás zsinórra akasztáshoz

Amikor a piros LED jelzőfény villog, a rendszer jelet küld a főegységnek.

## HÁLÓZATI ADAPTER



## TULAJDONSÁGOK

- Idő és naptár (Nap/Hónap/Év)
- 12/24 óraformátum választható
- Ébresztőóra ismételt ébresztés funkcióval
- Időjárás-előrejelzés 5 állapottal: napos, felhős, borult, eső, hó
- Belső hőmérséklet és páratartalom
- Külső hőmérséklet és páratartalom
- Akár 3 érzékelő támogatása (1 tartozék)
- Mind a 3 kültéri érzékelő mérési adatainak automatikus ciklikus megjelenítési funkciója
- Max./min. memóriarekordok az összes beltéri és kültéri hőmérsékletről és páratartalomról
- Trend index
- C/F (Celsius/Fahrenheit-fok) választása
- Kényelmi szint jelzője
- Max./min. bejegyzések a memóriában
- A lemerült elemek jelzése
- A hang bekapcsolása/kikapcsolása
- Hatótáv: akár 80 m nyitott térben
- 3 fényerő mód: Magas/Alacsony/Kikapcsolva
- Asztalra vagy falra rögzíthető
- Érzékelő átviteli frekvenciája: 433,92 MHz
- A főegység tápellátása: 3× 1,5 V AAA elem (nem tartozék) és 5 V 1,2 A hálózati adapter (tartozék)
- Az érzékelő tápellátása: 2× 1,5 V AA típusú alkáli elem (nem tartozék)

# FELHASZNÁLÓI KÉZIKÖNYV

		<b>[SET (Beállítás)]</b>	<b>[▲/CH (Csatorna)]</b>	<b>[▼/MEM (Memória)]</b>	<b>[ALARM (Ébresztés)]</b>	<b>[SNOOZE/LIGHT (Ismételt ébresztés/Világítás)]</b>
Standard üzemmód	A gomb megnyomása	-----	CH1/CH2/CH3 váltás	Max. és min. rekord kijelzése	Ébresztőóra idejének kijelzése, ébresztőóra be/ki	*A háttérvilágítás bekapcsolása, ha elemről működik *Váltás más háttérvilágítási szintre *Ismételt riasztás csengetéskor *Mentés és kilépés a beállítás során
	Lenyomva tartás	Az idő- és naptárbeállítás megnyitása	Mindhárom csatorna adatainak törlése és új adatok ismételt ellenőrzése	A belső és külső max./min. hőmérséklet törlése	Az ébresztőóra beállításának megnyitása	-----
Az idő beállítása	A gomb megnyomása	Jóváhagyás	Növelés 1 lépéssel	Csökkentés 1 lépéssel	-----	*Mentés és kilépés a beállítás során
	Lenyomva tartás	Időbeállítás megnyitása	Gyors növelés	Gyors csökkentés	-----	-----
Ébresztő beállítása	A gomb megnyomása	-----	Növelés	Csökkentés	Jóváhagyás	*Mentés és kilépés a beállítás során
	Lenyomva tartás	-----	Gyors növelés	Gyors csökkentés	-----	-----
Ébresztőóra csörgés üzemmód	A gomb megnyomása	Az ébresztőóra csengetésének beállítása	Az ébresztőóra csengetésének beállítása	Az ébresztőóra csengetésének beállítása	Az ébresztőóra csengetésének beállítása	Az ismételt ébresztés bekapcsolása
	Lenyomva tartás	-----	-----	-----	-----	-----

A [Snooze/Light] érintógombot minden egyes műveletnél 1 másodpercig lenyomva kell tartani.

## BEÁLLÍTÁS ÚTMUTATÓ

Nyomja meg és tartsa lenyomva a **[SET]** gombot a Tone on/off (Hang be/ki), 12/24h, C/F átváltási és időbeállítási módba való belépéshez.

Nyomja meg a **[▲/CH]** gombot az 1-es/2-es/3-as csatorna váltásához, nyomja meg és tartsa lenyomva 3 másodpercig a **[▲/CH]** gombot az érték gyors növeléséhez, vagy mindhárom csatorna összes adatának törléséhez és az új adatok újbóli regisztrálásához.

Nyomja meg a **[▼/MEM]** gombot a max. és min. rekord megjelenítéséhez, nyomja meg és tartsa lenyomva a **[▼/MEM]** gombot a max./min. Rekord törléséhez a beltéri és kültéri környezetre vonatkozóan

Nyomja meg az **[ALARM]** gombot az idő és az ébresztés állapotának megjelenítéséhez, nyomja meg és tartsa lenyomva az **[ALARM]** gombot az ébresztés-beállítási módba való belépéshez

Nyomja meg és tartsa lenyomva az **[ALARM]** gombot az ébresztési idő beállításának megnyitásához

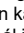



Nyomja meg a **[SNOOZE/LIGHT]** gombot a háttérvilágítás 20 másodpercig tartó bekapcsolásához elemekről való tápellátás esetén. A beállítások mentésre kerülnek, és megtörténik a befejezés; a háttérvilágítás szintje a magas-alacsony-kikapcsolva között váltakozik. Amikor megszólal az ébresztő, nyomja meg bármelyik gombot az ébresztés leállításához, vagy nyomja meg a **[SNOOZE/LIGHT]** gombot a szundi mód aktiválásához 5 perces késleltetéssel. A csengetés vagy a szundi ideje alatti kilépéshez nyomja meg bármelyik gombot.

## AZ IDŐ BEÁLLÍTÁSA

1. Standard módban nyomja meg a **[SET]** gombot és tartsa lenyomva 3 másodpercig. A meteorológiai állomás aktiválja az időbeállítási módot, és a beállított számjegy villogni kezd. A beállítás sorrendje: Hangjelzés be/ki → 12/24h → óra → perc → év → NH/HN → hónap → nap → C/F → megerősítés és befejezés.  
**Beállítás közben csak a beállított számjegy jelenik meg; más részek láthatatlanok lesznek.**
2. Nyomja meg a **[▲/CH]** vagy a **[▼/MEM]** gombot a beállítási elem kívánt értékre való módosításához; nyomja meg a **[▲/CH]** gombot a beállított érték 1-gyel történő növeléséhez, nyomja meg és tartsa lenyomva a **[▲/CH]** gombot a beállítás közben az érték gyors növeléséhez. Nyomja meg a **[▼/MEM]** gombot a beállított érték 1-gyel való csökkentéséhez, beállítás közben nyomja meg és tartsa lenyomva a **[▼/MEM]** gombot az érték gyors csökkentéséhez.
3. Ha 20 másodpercig nem csinál semmit, a beállítás automatikusan megerősítésre kerül, és a beállítás befejeződik.
4. A beállítást hagyja jóvá a **[SET]** gomb megnyomásával.
5. Ha 20 másodpercig nem csinál semmit, az aktuális beállítás automatikusan mentésre kerül, és a beállítás befejeződik.

## ÉBRESZTÉS ÉS ISMÉTELT ÉBRESZTÉS

1. Nyomja meg az **[ALARM]** gombot az ébresztési idő vagy az ébresztő be/ki állapotának ellenőrzéséhez. Ha az ébresztőóra be van kapcsolva, az ébresztőóra  ikonja jelenik meg. Ha 5 másodpercig nem csinál semmit, visszatér a normál idő kijelzés.
2. Nyomja meg és tartsa lenyomva az ébresztőóra gombot az ébresztési beállítások megnyitásához. A beállítandó számjegy villog.
3. A beállítás sorrendje: Óra – Perc – Befejezés.
4. Nyomja meg a **[▲/CH]** vagy **[▼/MEM]** gombot, hogy módosítsa a beállításokat a kívánt értékekre;
5. Ha 20 másodpercig nem csinál semmit, a beállítás automatikusan mentésre kerül, és a beállítás befejeződik.
6. Az ébresztő 2 percig ébreszt az alábbi módon  
0 – 10 másodperc: 1 sípolás másodpercenként  
11 – 20 másodperc: 2 sípolás másodpercenként  
21 – 30 másodperc: 4 sípolás másodpercenként  
31 – 120 másodperc: folyamatos hangjelzés
7. Az ébresztőóra 2 percig csörögni fog, majd automatikusan törlődik. Nyomjon meg bármilyen másik gombot az ébresztőóra kikapcsolásához és 24 óra elteltével történő ismételt aktiválásához.
8. Ismételt ébresztés funkció: Amikor megszólal az ébresztő, nyomja meg a **[SNOOZE/LIGHT]** gombot a szundi funkció aktiválásához 5 percre – megjelenik a szundi ikon **Z<sup>Z</sup>**. Amikor lejár a szundi ideje, megszólal az ébresztő.  
A szundi csengetés 2 percig tart, majd automatikusan törlődik. A szundi csengetés kikapcsolásához nyomja meg bármelyik gombot, kivéve a **[SNOOZE/LIGHT]** gombot.
9. Az ébresztés teljes kikapcsolásához nyomja meg az **[ALARM]** gombot, hogy normál módban  kikapcsoljon.





## HŐMÉRSÉKLET ÉS PÁRATARTALOM

### 1. °C/°F váltás

BELSŐ hőmérséklet tartománya: -9,9 °C – 50 °C (14 °F – 122 °F)

KÜLSŐ hőmérséklet tartománya: -40 °C – 60 °C (-40 – 140 °F)

BELSŐ páratartalom megjelenítésének tartománya: 1% RH – 99% RH

KÜLSŐ páratartalom megjelenítésének tartománya: 10% RH – 99% RH

A tartomány túllépése esetén az LL.L és a HH.H jelenik meg

### 2. Trendek:

A trendek ikonja nem jelenik meg közvetlenül a bekapcsolás után.

A trend akkor jelenik meg, ha a hőmérséklet 1 °C-kal növekszik a legutóbbi adatokhoz képest vagy 1 °C-kal nő 1 órán belül;

A trend akkor jelenik meg, ha a páratartalom 3%-kal nő a legutóbbi adathoz képest, vagy 3%-kal nő 1 óra alatt;

és ugyanez vonatkozik a csökkenő trendekre is;

ha a növekedés/csökkenés kevesebb, mint 1 °C vagy 3 % 1 óra alatt, a trend ikon nem jelenik meg.

## MEMÓRIA

1. Normál időkijelzési módban nyomja meg a /MEM gombot a 3 csatorna beltéri és kültéri hőmérsékletének és páratartalmának a megjelenítéséhez. Rögzítések sorrendje: beltéri/kültéri maximális hőmérséklet és páratartalom → beltéri/kültéri minimális hőmérséklet és páratartalom. Ha 5 másodpercig nem csinál semmit, visszatér az aktuális hőmérséklet és páratartalom kijelzése.

### 2. Max./Min.:

A maximális/minimális rekordok minden nap 00:00 órákor automatikusan törlődnek. Vagy manuálisan törölje a max./min. rekordot a /MEM gomb nyomva tartásával időkijelzési módban. Törlésre kerül a rekord és megjelenik az aktuális érték.

## RF – KÜLTÉRI HŐMÉRSÉKLET ÉS PÁRATARTALOM

1. Bekapcsolás után ez a meteorológiai állomás max. 3 percig automatikusan fogadja a külső érzékelő által küldött jelet, és ezalatt a jelfogadás ikon villog. Ha 3 percig nem érzékel jelet, a jelvétel ikon kialszik, és a külső jel vétele abbamarad. A jel újraszinkronizálása minden következő órában újra aktiválódik, amíg a jel meg nem érkezik, és az adatok meg nem jelennek a főegységen.
2. Normál időkijelzési módban nyomja meg és tartsa lenyomva a /CH gombot legalább 2 másodpercig az RF-jel újregisztrációjának manuális elindításához.
3. Ha 2 órán belül nem érkezik jel, a „--” jelenik meg a megfelelő csatornánál.

## A CSATORNA ÉS AZ ÉRZÉKELŐ ÜZEMELTETÉSE

1. Ez a meteorológiai állomás legfeljebb 3 csatlakoztatott érzékelőt támogat.
2. Távolítsa el az érzékelő elemfedelét, és csúsztassa a CH (Csatorna) kapcsolót CH1/CH2/CH3 állásba; győződjön meg arról, hogy minden érzékelőhöz más-más CSATORNASzám van hozzárendelve.
3. Javasoljuk, hogy a CH1 érzékelőt kültérben helyezze el a pontosabb időjárás-előrejelzés érdekében, a többi érzékelőt pedig a kívánt helyre.
4. Normál módban nyomja meg a /CH gombot az 1-es/2-es/3-as csatorna külső hőmérsékletének és páratartalmának a megjelenítéséhez. Erre az üzemmódra váltás után a kijelzőn automatikusan





3 érzékelő adatai jelennek meg ciklikusan. Ha vissza szeretné állítani az összes érzékelő adatot, nyomja meg és tartsa lenyomva a **[▲/CH]** gombot 3 másodpercig az érzékelők újracsatlakoztatásához.


## MEGJEGYZÉSEK

1. A főegységnek és az adókészüléknek legalább 1,5 – 2 méterre kell lennie minden zavarforrástól, pl. számítógép képernyőtől vagy televíziótól.
2. A főegységet nem szabad fém ablakpárkány közelébe tenni.
3. Ne használjon más elektronikus készüléket, pl. fülhallgatót vagy hangszórót, ami ugyanazon a jelfrekvencián működik.
4. Az interferenciát a szomszédok azonos jelfrekvenciát használó elektronikus eszközei is okozhatják.
5. Frekvencia: 433,92 MHz
6. Jelvételei távolság: 80 m

### A készülék ismételt szinkronizálása

Ha a külső érzékelőkről érkező hőmérséklet és páratartalom értékei nem jelennek meg a kijelzőn, próbálja meg újra szinkronizálni a készüléket. Először bizonyosodjon meg róla, hogy a főegység be van kapcsolva, majd tegye be az elemeket az érzékelőkbe – az érzékelőn villogó piros fény jelzi a jel elküldését a főegységnek.

## IDŐJÁRÁS-ELŐREJELZÉS

IDŐJÁRÁS IKON					
Leírás	Napos	Enyhén felhős	Felhős	Eső	Havazás

Időjárás-előrejelzés 12 órával előre: Napos, Felhős, Borult, Eső, Hó

A megjelenített időjárásikon a belső és külső hőmérséklet és páratartalom óránkénti kiszámításán alapul. Ez a meteorológiai állomás 12 órára 70 – 75 % pontossággal képes előrejelezni az időjárás viszonyokat. A távérzékelőt kültéri környezetbe kell helyezni, hogy pontos kültéri adatokat kapjon. Ellenkező esetben befolyásolja az időjárás-előrejelzés pontosságát.

Az alapértelmezett időjárás-kijelzés: Felhős; a fejegegység 1 – 2 héten belül kalibrálja az időjárás-jelentést a hőmérséklet- és páratartalom-adatok változásai alapján.

A távérzékelőt kültéri környezetben kell elhelyezni, hogy pontos kültéri adatokat kapjon, és ne befolyásolja az időjárás-előrejelzés pontosságát.

## KÉNYELMI SZINT INDEX

A kényelmi szint 3 állapottal jelenik meg: DRY (Száras), GOOD (Optimális), WET (Nedves)

Kényelmi szint	Páratartalom-tartomány
Szárász	1 – 40 %
Optimális	41 – 75 %
Párás	≥ 76 %



## HÁTTÉRVILÁGÍTÁS

Ha a bázisállomás csak akkumulátorról működik, érintse meg a **[SNOOZE/LIGHT]** gombot a felső részén 1 másodpercig, hogy a képernyő röviden, 20 másodpercig világítson.

Ha adapterről működik, érintse meg a **[SNOOZE/LIGHT]** gombot, hogy a fényerőt BRIGHT (Fényes) – DIM (Tompá) – OFF (Ki) értékre állítsa.

## LEMERÜLT ELEMRE VALÓ FIGYELMEZTETÉS

Az elemek behelyezése után percenként állapotellenőrzés történik; alacsony elemtöltöttség esetén megjelenik az alacsony elemtöltöttségi szint jelzés. Lemerült elemek esetén javasoljuk az elemek cseréjét, hogy ne befolyásolja negatívan a készülék működését.

## FAGYJELZÉS

Ha a hőmérséklet 0 – 2,9 °C között van, a havazás ikon ❄️ villogni kezd;  
ha a hőmérséklet 0 °C alatt van, a havazás ikon ❄️ világít.

## TELEPÍTÉSI MÓDOK

A meteorológiai állomást kétféle módon lehet elhelyezni.

- Távolítsa el a fém állványokat az elemtartó rekeszből, és rögzítse a megfelelő furatokba.
- Akassza fel a terméket a falra a megfelelő furattal

Az érzékelőt az alábbi módokon lehet elhelyezni.

1. A felső részén lévő nyílás segítségével az érzékelő hátsó részét akassza fel egy szögre.
2. Szerelje az érzékelőt az északi falra vagy valamilyen árnyékos helyre. A legjobb, ha a teraszon az eresz vagy a korlát alatt helyezi el.
3. Ennek a meteorológiai állomásnak a maximális vezeték nélküli átviteli hatótávolsága 80 méter nyílt térben, falak és padlók nélkül.
4. Az érzékelőt függőlegesen szerelje fel, hogy a nedvesség megfelelően távozhasson. Tartsa távol a közvetlen napfénytől, és gondoskodjon az érzékelő megfelelő szellőzéséről.

## BIZTONSÁGI INTÉZKEDÉSEK

- A termék egyik részét se tisztítsa benzinnel, higítóval vagy egyéb vegyi oldószerrel. Ha szükséges, puha ronggyal tisztítsa meg a terméket.
- A terméket soha ne merítse vízbe. A termék meghibásodhat.
- A terméket ne tegye ki túl nagy erőnek, rázkódásnak, hő- vagy páraingadozásnak.
- Ne nyúljon a belső alkatrészekhez.
- Ne használjon együtt régi és új, vagy különböző típusú elemeket.
- Ne használjon a termékben alkáli, hagyományos és tölthető elemeket együtt.
- Ha a terméket hosszabb időre elteszi, vegye ki belőle az elemeket.
- Ne dobja ki a terméket a vegyes háztartási hulladék közé. Az ilyen hulladékot külön, speciális módon kell megsemmisíteni.

## MŰSZAKI ADATOK

<b>Benti hőmérséklet mérési tartomány</b>	-9,9 °C – +50 °C
<b>Kinti hőmérséklet mérési tartomány</b>	-40 °C – +60 °C
<b>Belső páratartalom mérési tartománya</b>	1 % – 99 % RH
<b>Külső hőmérséklet mérési tartománya</b>	10 % – 99 % RH
<b>Hőmérséklet-kijelzés</b>	választható °C/°F
<b>Átviteli távolság</b>	akár 80 m (nyílt területen)
<b>Az érzékelő adásfrekvenciája</b>	433,92 MHz
<b>A főegység tápadaptere</b>	DC 5 V/1200 mA (a csomag része), Fogyasztás: 6 W
<b>A főegység tartalékeleme</b>	3 x 1,5 V AAA típusú elem (az elemeket a csomag nem tartalmazza)
<b>Érzékelő tápellátása</b>	2 x 1,5 V AA típusú elem (az elemeket a csomag nem tartalmazza)
<b>A fő egység méretei (sz/ma/mé)</b>	147 x 74 x 17 mm
<b>A vezeték nélküli érzékelő méretei (sz/ma/mé)</b>	38 x 100 x 22 mm
<b>A főegység tömege</b>	173 g (elemmel együtt, adapter nélkül)
<b>A vezeték nélküli érzékelő súlya</b>	32 g

## AZ ADAPTER MŰSZAKI ADATAI

<b>A gyártó neve vagy védjegye, cégjegyzékszám és címe:</b>	DONGGUAN SHIJIE HUAXU ELECTRONICS FACTORY, cégjegyzékszám: 440429543, Címe: No. 200, Technology East Road, Shijie TownDongguan City, Guangdong, P.R.China
<b>A modell megjelölése:</b>	HX075-0501200-AG-001
<b>Bemeneti feszültség:</b>	AC 100–240 V
<b>Bemeneti váltakozó frekvencia:</b>	50/60 Hz
<b>Kimeneti feszültség:</b>	DC 5,0 V
<b>Kimenő áramerősség:</b>	1,2 A
<b>Kimeneti teljesítmény:</b>	6,0 W
<b>Átlagos hatékonyság aktív üzemmódban:</b>	≥ 75,00 %
<b>Hatékonyság alacsony terhelés mellett (10%):</b>	71,17%
<b>Terhelés nélküli energiafogyasztás:</b>	≤ 0,1 W



## A HASZNÁLT CSOMAGOLÓANYAGOKRA VONATKOZÓ MEGSEMISÍTÉSI UTASÍTÁSOK ÉS TÁJÉKOZTATÓ

A csomagolóanyagot vigye hulladékudvarba újrahasznosításhoz.

### HASZNÁLT ELEKTROMOS ÉS ELEKTRONIKUS BERENDEZÉSEK MEGSEMISÍTÉSE



Ez a jel a terméken, annak tartozékain vagy csomagolásán azt jelöli, hogy a terméket nem szabad a többi háztartási hulladékkal azonos módon kezelni. Kérjük, hogy a terméket adja le elektromos és elektronikus berendezéseket újrahasznosító gyűjtőtelepen. Egyes uniós országokban vagy más európai országokban a régi terméket visszaviheti a helyi kiskereskedőnek, ha új, egyenértékű terméket vásárol. A termék megfelelő módon történő megsemmisítésével segít megőrizni az értékes természeti erőforrásokat, és hozzájárul a nem megfelelő hulladék-megsemmisítés által okozott esetleges negatív környezeti és egészségügyi hatások megelőzéséhez. További részletekért forduljon a helyi önkormányzathoz vagy a legközelebbi hulladék-megsemmisítő gyűjtőtelephez. Az ilyen típusú hulladék nem megfelelő ámegsemmisítése esetén a törvény szerint bírság szabható ki.

#### Az Európai Unió országaiban működő vállalatok számára

Ha elektromos vagy elektronikus berendezést kíván megsemmisíteni, kérjen információt a termék eladójától vagy forgalmazójától.

#### Megsemmisítés Európai Unión kívüli országokban

A termék megfelelő megsemmisítésével kapcsolat információért forduljon a helyi hatóságokhoz vagy a kereskedőhöz.



Ez a termék megfelel az EU követelményeinek.

A FAST ČR, a.s. ezúton kijelenti, hogy a SWS 4100 rádiókészülék típus összhangban van a 2014/53/EU irányelvvel. Az EU megfelelőségi nyilatkozat teljes szövegét az alábbi weboldalon találja: [www.sencor.cz](http://www.sencor.cz)

A szövegben, kivitelben és műszaki jellemzőkben előzetes figyelmeztetés nélkül változtatások történhetnek, és az ilyen változtatások jogát fenntartjuk.

Az eredeti verzió a cseh.

Gyártó: FAST ČR, a. s., U Sanitasu 1621, Říčany 251 01, Cseh Köztársaság, [info@sencor.com](mailto:info@sencor.com)

Szakszervezetek A szakszervezetekre vonatkozó részletes információk a [www.sencor.com](http://www.sencor.com) weboldalon található.



# SENCOR®

## HU Jótállási jegy

1. A termék gyártója: **FAST ČR, a.s.**, U Sanitánu 1621, 25101 Říčany, Czech Republic, **FAST Hungary Kft.** H-2310 Szigetszentmiklós, Kántor út 10. Tel.: 06-23-330-905; 06-23-330-830, Fax: 06-23-330-827, E-mail: szerviz@fashungary.hu
2. A **FAST Hungary Kft.** (2310 Szigetszentmiklós, Kántor út 10.) mint a termék magyarországi importőre a jótállási jegyen feltüntetett típusú és gyártási számú készülékre jótállást biztosít a **fogyasztók számára** az alábbi feltételek szerint:
3. A FAST Hungary Kft. a termékre a fogyasztó részére történő átadástól (vásárlástól), illetve ha az üzembe helyezést a terméket értékesítő vállalkozás vagy annak megbízottja végzi, az üzembe helyezéstől számított **24 hónapig, míg 250.001,- Ft eladási ártól 36 hónapig** tartó időtartamra **vállal** jótállást. Ha a terméket a fogyasztó az átadástól számított fél éven belül helyezteti üzembe, akkor a jótállási határidő a termék átadásától kezdődik. A termék **alkotórészeire** és **tartozékaira** (pl. akkumulátor) az általunk vállalt jótállási idő **12 hónap, azzal, hogy az elemekre az általunk vállalt jótállás nem terjed ki**. Minden olyan termékünk (illetve annak alkotórésze vagy tartozéka), amely szerepel az egyes tartós fogyasztási cikkekre vonatkozó kötelező jótállásról szóló 151/2003. (IX.22.) Korm. rendelet **(Rendelet)** 1. sz. mellékletében és vételára a bruttó **10.000,- Ft-ot** eléri, tartós fogyasztási cikknek minősül, és mint ilyen, **kötelező jótállás** hatálya alá **is** tartozik (a termék áráról függően 100.000,- Ft-ig 1 évig, 100.001,- Ft - 250.000,- Ft között 2 évig, illetve 250.001,- Ft-tól 3 évig tart a kötelező jótállás). Az általunk vállalt jótállás a 10.000,- Ft vételár alatti vagy a Rendeletben nem szereplő egyéb termékek esetén a teljes 24 hónap tekintetében, míg a Rendeletben szereplő 10.000,- Ft vételár eléré és 100.000,- Ft vételárát meg nem haladó termékek esetén a 13-24 hónap közti időtartamra önként vállalt jótállás. Önként vállalt jótállás továbbá a termékek alkotórészeire és tartozékaira vonatkozó jótállás, ha a Rendeletben szereplő termékek alkotórészeinek vagy tartozékának vételára a bruttó 10.000,- Ft-os vételárát nem éri el, továbbá ha a termék maga a Rendeletben nem szerepel.
4. A jótállási igény (alábbi 6.(i) és 6.(ii) pontok) a jótállási jeggyel, az átadástól (ha releváns az üzembe helyezéstől) számított **(i)** 1 évig - 100.000,- Ft eladási árát meg nem haladó termék esetén; **(ii)** 2 évig - 250.000,- Ft eladási árát meg nem haladó termék esetén; **(iii)** 3 évig - 250.000,- Ft eladási árát meghaladó termék esetén a terméket **értékesítő vállalkozásnál, kijavítási igény** esetén annak **székhelyén, vagy bármely telephelyén, fióktelepén**, illetve **kijavítási és csere igény esetén a jótállási jegyen feltüntetett hivatalos szerviznél közvetlenül is érvényesíthető**. Az előző (i) pont szerinti esetben, azaz **100.000,- Ft eladási árát meg nem haladó termékekre** a kötelező jótállási időn felüli további egy éves önkéntes jótállási idő esetén **jótállási igényként a 13. hónaptól a 24. hónapig kizárólag csere és javítás** érvényesíthető, amely igényekkel Ön az értékesítő vállalkozáshoz vagy a hivatalos szervizhez is fordulhat.
5. A jótállási jegy szabálytalan kiállítása vagy a jótállási jegy fogyasztó rendelkezésére bocsátásának elmaradása a jótállás érvényességét nem érinti. Jótállási jegy hiányában a fogyasztói szerződés megkötését bizonyítottan kell tekinteni, ha a fogyasztó bemutatja a termék ellenértékének megfizetését hitelt érdemlően igazoló bizonylatot. Mindezek érdekében kérjük tisztelt Vásárlóinkat, hogy őrizzék meg a fizetési bizonylatot is.
6. Hibás teljesítés, a jótállási időn belüli meghibásodás esetén a fogyasztó - választása szerint - **(i)** a hibás termék díjmentes **kijavítását vagy kicserélését** követelheti, kivéve, ha a választott igény teljesítése lehetetlen, vagy ha az a kötelezetnek másikkal jótállási igény teljesítésével összehasonlítva aránytalan többletköltséget eredményezne, figyelembe véve a szolgáltatott dolog hibátlan állapotban képviselt értékét, a szerződésszegés súlygát és a jótállási igény teljesítésével a fogyasztónak okozott érdeksérelmet; **vagy (ii)** a szerződésszegés súlyához igazodva megfelelő **áruszállítást** igényelhet, vagy **elállhat** a szerződéstől ha: a kötelezett a kijavítást vagy a kicserélést nem vállalata, vagy a termék szerződésszerűvé tételét a javítás vagy csere lehetetlen vagy aránytalan többletköltséget eredményező voltára hivatkozással megtagadta, vagy a körülményekből nyilvánvaló, hogy e kötelezettségének megfelelő észszerű határidőn belül, a fogyasztó érdekeit kímélve vagy a fogyasztónak okozott jelentős érdeksérelmem nélkül nem tud eleget tenni, vagy ismételt hiba merült fel, annak ellenére, hogy a kötelezett megkísérelte a termék szerződésszerűvé tételét, vagy ha

a fogyasztónak a kijavítható vagy kicseréléshez fűződő érdeke megszűnt, illetve ha a teljesítés hibájának súlyossága indokolta teszi az árleszállítást vagy az elállást. A fogyasztó akkor is jogosult a 6.(ii) alpont szerint megfelelő árleszállítást igényelni, illetve elállni a szerződéstől, ha a kötelezett bár elvégezte a kijavítást vagy a cserét, azonban ennek során részben vagy egészben nem teljesítette a kicserélt áru saját költségére történő visszavételének biztosítására vonatkozó kötelezettségét, valamint ha a hiba felismerhetővé válása előtt jellegének és céljának megfelelően üzembe helyezett áru esetén a kötelezett a hibás áru eltávolítására és a cseréként szállított vagy javított áru üzembe helyezésére, vagy az eltávolítás, illetve üzembe helyezés költségeinek viselésére vonatkozó kötelezettségét nem teljesítette. Jelentéktelen hiba miatt elállásnak nincs helye. A fogyasztó elállási igénye esetén annak bizonyítására, hogy a hiba jelentéktelen, a vállalkozás köteles. A fogyasztó a választott jogáról másra térhet át. Az áttéréssel okozott költséget köteles a jótállási igény kötelezettjének megfizetni, kivéve, ha az áttérésre a jótállásra kötelezett adott okot, vagy az áttérés egyébként indokolt volt.

7. A fogyasztó jogosult a vételár még fennmaradó részét – a szerződésszegés súlyához igazodva – részben vagy egészben visszatartani mindaddig, amíg a vállalkozás nem tesz eleget a teljesítés szerződésszerűségével és a hibás teljesítéssel kapcsolatos kötelezettségeinek.
8. Amennyiben a hiba az áru egy meghatározott részét érinti, és annak tekintetében az elállási jog gyakorlásának feltételei fennállnak, a fogyasztó csak a hibás áru tekintetében állhat el a szerződéstől; azonban a hibás áruval együtt szerzett bármely egyéb áru vonatkozásában is állhat akkor, ha a fogyasztótól nem várható el ésszerűen, hogy csak a szerződésnek megfelelő árukat tartsa meg. A fogyasztó az elállásra vonatkozó jogát az értékesítő vállalkozásnak címzett, a döntést kifejező jognyilatkozattal gyakorolhatja. Elállás esetén a fogyasztónak az értékesítő vállalkozás költségére vissza kell szolgáltatnia a vállalkozás részére az érintett árut, az értékesítő vállalkozás pedig köteles haladéktalanul visszatéríteni a fogyasztó részére az érintett áru vonatkozásában teljesített vételárat, amint az árut vagy az áru visszaküldését alátámasztó igazolást átvette. Árleszállítás esetén az árleszállítás akkor megfelelő (arányos), ha annak összege megegyezik a fogyasztónak a szerződésszerű teljesítés esetén járó, valamint a fogyasztó által ténylegesen kapott áru értékének különbözetével.
9. Kötelező jótállás esetén a vállalkozás a fogyasztó nála bejelentett jótállási igényéről jegyzőkönyvet köteles fennvinni a fogyasztó és a vállalkozás közötti szerződés keretében eladott dolgokra vonatkozó szavatossági és jótállási igények intézésének eljárási szabályairól szóló jogszabály szerinti tartalommal.
10. Ha a kötelező jótállási időtartam alatt a termék első alkalommal történő javítása során megállapítást nyer, hogy a termék nem javítható, a fogyasztó eltérő rendelkezése hiányában a termék a megállapítást követő 8 napon belül kicserélésre kerül. Ha a termék cseréjére nincs lehetőség, a fogyasztó által bemutatott, a termék ellenértékének megfizetését igazoló bizonylaton feltüntetett vételárat nyolc napon belül kell a fogyasztó részére visszatéríteni.
11. Ha a kötelező jótállási időtartam alatt a termék három alkalommal történő kijavítást követően ismét meghibásodik, a fogyasztó eltérő rendelkezése hiányában, valamint ha a fogyasztó a vonatkozó jogszabályok szerint nem igényli a vételár arányos leszállítását, a termék 8 napon belül kicserélésre kerül. Ha a termék kicserélésére nincs lehetőség, a fogyasztó által bemutatott, a termék ellenértékének megfizetését igazoló bizonylaton feltüntetett vételárat nyolc napon belül kell a fogyasztó részére visszatéríteni.
12. Ha a kötelező jótállási idő alatt a termék kijavítására a kijavítási igény közlésétől számított 30. napig nem kerül sor, a fogyasztó eltérő rendelkezése hiányában a terméket a 30 napos határidő eredménytelen elteltét követő nyolc napon belül cserélni kell. Ha a termék cseréjére nincs lehetőség, a fogyasztó által bemutatott, a termék ellenértékének megfizetését igazoló bizonylaton feltüntetett vételárat a 30 napos kijavítási határidő eredménytelen elteltét követő nyolc napon belül kell a fogyasztó részére visszatéríteni.
13. A fogyasztó a hiba felfedezését követően késedelem nélkül, legkésőbb a felfedezéstől számított 2 hónapon belül köteles a hibát közölni. A közlés késedelméből eredő kárért a jogosult (fogyasztó) felelős. A bejelentés kapcsán kérjük vegye figyelembe, hogy **a jótállási igény kizárólag a jótállási határidőben** (tehát a termék árártól függően 24 vagy 36 hónapig, illetve alkotórész, tartozék esetén 12 hónapig) **érvényesíthető! Mindazonáltal a kötelező jótállási határidő meghosszabbodik a javításra átadás napjától kezdve azzal az idővel, amely alatt a fogyasztó a terméket a hiba miatt rendeltetészerűen nem használhatta.** Ha a jótállásra kötelezett jótállási kötelezettségének megfelelő határidőben nem tesz eleget, a jótállási igény a fogyasztó erre irányuló felhívásában tűzött megfelelő határidő elteltétől számított 3 hónapon belül akkor is érvényesíthető bíróság előtt, ha a jótállási idő már eltelt. E határidő elmulasztása jogvesztéssel jár.
14. A jótállási kötelezettség teljesítésével kapcsolatosan felmerülő költségek a jótállás kötelezettjét terhelik. A jótállásból eredő jogok érvényesíthőségének nem tehető feltételévé a fogyasztási cikk felbontott csomagolásának a fogyasztó általi visszaszolgáltatása.

15. A 151/2003. (IX.22.) Korm.rendeletben meghatározott tartós fogyasztási cikk meghibásodása miatt a vásárlástól (üzembe helyezéstől) számított három munkanapon belül érvényesített csereigény esetén a kötelezett nem hivatkozhat aránytalan többletköltségre, hanem köteles a tartós fogyasztási cikket kicserélni, feltéve, hogy a meghibásodás a rendeltetésszerű használatot akadályozza (és a csere nem lehetetlen).
16. Kijavítás esetén a fogyasztási cikkbe csak új alkatrész kerülhet beépítésre. A fogyasztónak a hibás árut a kijavítás vagy kicserélés érdekében a kötelezett rendelkezésére kell bocsátania. A kijavítást vagy kicserélést – a dolog tulajdonságaira és a jogosult által elvárható rendeltetésére figyelemmel megfelelő határidőn belül, a fogyasztó érdekeit kímélve kell elvégezni. A kötelező jótállás keretében javítási- vagy csereigény esetén törekedni kell arra, hogy a kijavítás vagy kicserélés (a fenti 10.,11.,12. pontokban foglaltak sérelme nélkül) 15 napon belül megtörténjen. Ha a kötelező jótállás keretében érvényesített javítás vagy a csere időtartama a 15 napot meghaladja, akkor legkésőbb a 15. napon tájékoztatni kell a fogyasztót a kijavítás vagy a csere várható időtartamáról. A tájékoztatás a fogyasztó előzetes hozzájárulása esetén elektronikus úton, vagy a fogyasztó általi átvétel igazolására alkalmas más módon történik. A rögzített bekötésű, illetve a 10kg-nál súlyosabb, vagy tömegközlekedési eszközön kézi csomagként nem szállítható fogyasztási cikket – járművek kivételével – az üzemeltetés helyén kell megjavítani. Ha a javítás az üzemeltetés helyén nem végezhető el, a le- és felszerelésről, valamint az el- és visszaszállításról az értékesítő vállalkozás, vagy – a javítószolgáltatnál közvetlenül érvényesített kijavítási igény esetén – a javítószolgálat gondoskodik.
17. Nem tartozik jótállás alá a hiba és a jótállásra kötelezett mentesül a jótállási kötelezettség alól, ha bizonyítja, hogy **a hiba oka** a vállalkozás által történt teljesítést (termék fogyasztó részére történő átadását) követően keletkezett, így például ha a hibát ■ nem rendeltetésszerű használat, használati útmutató figyelmen kívül hagyása, helytelen szállítás vagy tárolás, leejtés, rongálás, elemi kár, készüléken kívülről ok (pl. hálózati feszültség megengedettnél nagyobb ingadozása) ■ fogyasztó (vagy más, az értékesítő vállalkozástól független személy) által történt szakszerűtlen üzembe helyezés (feltéve, hogy a szakszerűtlen üzembe helyezés nem a használati-kezelési útmutató hibájára vagy hiányára vezethető vissza) ■ illetéktelen átalakítás, beavatkozás, nem hivatalos szerviz által végzett szakszerűtlen javítás ■ fogyasztó feladatát képező karbantartási munkák elmulasztása ■ normál, természetes elhasználódásra visszavezethető (pl. elem lemerülése) vagy üzemszerű kopásnak tulajdonítható meghibásodás okozta. Ha a dolog meghibásodásában a jogosultat (fogyasztót) terhelő karbantartási kötelezettség elmulasztása is közrehatott, a jótállási kötelezettség teljesítésével felmerült költségeket közrehatása arányában a jogosult köteles viselni, ha a dolog karbantartására vonatkozó ismeretekkel rendelkezett, vagy ha a kötelezett e tekintetben tájékoztatási kötelezettségének eleget tett. A jótállás a fogyasztó jogszabályból eredő jogait, így különösen a Polgári Törvénykönyv szerinti kellékszavatossági (Ptk. 6:159. § - 6:167.§) illetve termékszavatossági jogait (Ptk. 6:168.§ - 6:170.§), és ezek jogszabályban előírtak szerinti térítésmentes gyakorlását nem érinti. A jótállás nem érinti továbbá a fogyasztónak a hibás teljesítésből eredő kártérítési jogait. A jótállásból eredő jogokat a fogyasztási cikk tulajdonosa érvényesítheti, feltéve, hogy fogyasztónak minősül.
18. Tájékoztatjuk, hogy a fogyasztóvédelmi törvényben meghatározott fogyasztói jogvita bíróságon kívüli rendezése érdekében Ön a megyei (fővárosi) kereskedelmi és iparkamarák által működtetett békéltető testület eljárását is kezdeményezheti (a békéltető testületek elérhetősége és további tájékoztatás: <https://bekeltetes.hu/index.php?id=testuletek>, és [https://www.fogyasztovedelem.kormany.hu/#/bekelteto\\_testuletek](https://www.fogyasztovedelem.kormany.hu/#/bekelteto_testuletek)).

### A kereskedő tölti ki

Termék megnevezése: .....

Vételár: .....

Típus: .....

Gyártási szám: .....

Vásárlást igazoló bizonylat száma: .....

Szerződéskötés időpontja: .....

Az átadás időpontja: 20.....hó.....nap. Az üzembe helyezés időpontja: 20.....hó.....nap

Kereskedő bélyegzője: ..... Kereskedő aláírása: .....

Kereskedő címe: .....



### Javítás esetén alkalmazandó

**A kereskedő vagy szerviznél történő közvetlen bejelentés esetén a szerviz tölti ki**

#### 1. kijavítási igény

A jótállási igény bejelentésének időpontja: .....

Javításra átvétel időpontja: .....

Hiba oka: .....

Javítás módja: .....

A termék fogyasztó részére való visszaadásának időpontja: .....

Szerviz pecsétje:

Kereskedő pecsétje:

#### 2. kijavítási igény

A jótállási igény bejelentésének időpontja: .....

Javításra átvétel időpontja: .....

Hiba oka: .....

Javítás módja: .....

A termék fogyasztó részére való visszaadásának időpontja: .....

Szerviz pecsétje:

Kereskedő pecsétje:

#### 3. kijavítási igény

A jótállási igény bejelentésének időpontja: .....

Javításra átvétel időpontja: .....

Hiba oka: .....

Javítás módja: .....

A termék fogyasztó részére való visszaadásának időpontja: .....

Szerviz pecsétje:

Kereskedő pecsétje:

#### Kicserélés esetén alkalmazandó

A jótállási igény kicseréléssel került rendezésre.

A csere időpontja: .....

Kereskedő bélyegzője

Szerviz bélyegzője:

#### Kicserélés esetén alkalmazandó

A jótállási igény kicseréléssel került rendezésre.

A csere időpontja: .....

Kereskedő bélyegzője

Szerviz bélyegzője:

#### A termék gyártója:

FAST ČR, a.s., U Sanitasu 1621, 25101 Říčany, Czech Republic

FAST Hungary Kft. H-2310 Szigetszentmiklós, Kántor út 10. Tel.: 06-23-330-905; 06-23-330-830

Fax: 06-23-330-827, E-mail: szerviz@fasthungary.hu





Dziękujemy za zakup tej stacji pogodowej z kolorowym wyświetlaczem. Została ona zaprojektowana i wykonana przy pomocy innowacyjnych komponentów i technologii umożliwiających idealne przedstawienie informacji. Urządzenie jest również wyposażone w czujnik zewnętrzny. Przed użyciem tego produktu uważnie przeczytaj całą instrukcję obsługi i zachowaj ją do wglądu w przyszłości. Zastrzegamy sobie prawo do wszelkich błędów w tekstach lub ilustracjach oraz prawo do niezbędnych zmian danych technicznych.

### **Dlatego weź pod uwagę:**

1. Inne urządzenia bezprzewodowe korzystające z tego samego pasma częstotliwości mogą zmniejszyć zasięg transmisji.
2. Zasięg wszystkich urządzeń bezprzewodowych zależy od rodzaju przeszkód między nadajnikiem a odbiornikiem (np. betonowa ściana będzie zakłócać sygnał bardziej niż ściana z płyt gipsowo-kartonowych).

### **W przypadku problemów, spróbuj wykonać następujące czynności:**

1. Wyłącz wszystkie inne urządzenia bezprzewodowe, aby sprawdzić, czy to one powodują problem.
2. Przenieś inne urządzenie bezprzewodowe. Skróć odległość między urządzeniem nadającym i odbierającym i ogranicz ilość przeszkód (ściany itp.) między nimi.
3. Spróbuj wyjąć i ponownie włożyć baterie; jeśli są stare, wymień je na nowe.

## **BEZPIECZEŃSTWO I PRZEWODNIK**

Nie czyść żadnej części tego produktu benzenem, rozcieńczalnikiem, ani innymi rozpuszczalnikami chemicznymi. Jeśli konieczne jest czyszczenie, należy użyć miękkiej ściereczki.

Nie próbuj w jakikolwiek sposób rozmontowywać lub modyfikować tego produktu.

Nigdy nie zanurzaj produktu w wodzie, gdyż grozi to jego uszkodzeniem.

Nie narażaj produktu na działanie ekstremalniej siły, wstrząsów lub wahań temperatury czy wilgotności.

Nie uszkadzaj wewnętrznych komponentów.

Nie używaj rozładowanych baterii.

W tym produkcie nie należy używać różnych typów baterii, takich jak baterie alkaliczne, standardowe i akumulatorki.

Jeśli produkt ma być przechowywany przez dłuższy czas, należy wyjąć z niego baterie, aby zapobiec uszkodzeniu produktu przez elektrolit z baterii.

Nie wyrzucaj tego produktu do niesegregowanego odpadu komunalnego. Zanieś go do punktu zbiórki odpadów w celu utylizacji przyjaznej dla środowiska.

Nie wystawiaj jednostki głównej na działanie deszczu lub wilgoci. Zasięg transmisji zależy od rodzaju przeszkód między nadajnikiem a odbiornikiem (np. betonowa ściana będzie zakłócać sygnał bardziej niż ściana z płyt gipsowo-kartonowych).

Zamontuj czujnik pionowo, aby umożliwić prawidłowe odprowadzanie wilgoci. Czujnik należy umieścić z dala od bezpośredniego światła słonecznego i zapewnić mu dobrą wentylację.

Jednostka główna i czujniki powinny znajdować się w odległości co najmniej 1,5–2 metrów od wszelkich źródeł zakłóceń, takich jak monitory komputerowe lub telewizory.

Jednostka centralna nie może być umieszczona w pobliżu metalowych ram okiennych.

Nie należy używać innych produktów elektronicznych, takich jak słuchawki lub mikrofony, działających na tej samej częstotliwości sygnału. Zakłócenia mogą być również powodowane przez urządzenia elektroniczne sąsiadów działające na tej samej częstotliwości sygnału (433,92 MHz).

Umieść jednostkę główną w suchym miejscu, wolnym od brudu i kurzu. Aby zapewnić dokładny pomiar temperatury, nie należy umieszczać produktu w bezpośrednim świetle słonecznym i należy umieścić go z dala od źródeł ciepła lub otworów wentylacyjnych.

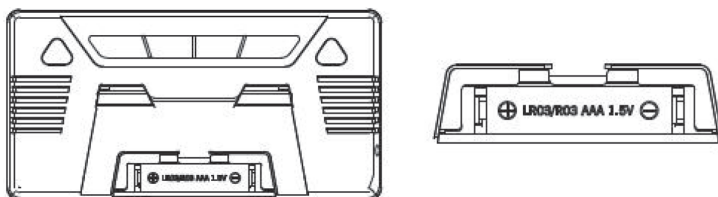


## ZAWARTOŚĆ OPAKOWANIA

- 1× Cyfrowa stacja pogodowa
  - 1× Zdalny czujnik
  - 1× Instrukcja obsługi
  - 1× Adapter zasilający
- (Baterie nie wchodzą w skład wyposażenia)

## INSTALACJA JEDNOSTKI GŁÓWNEJ

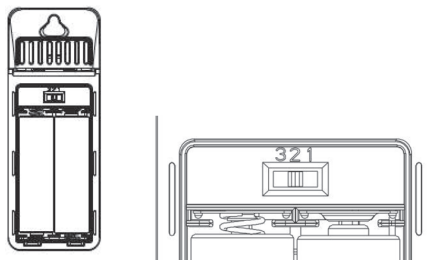
- Przed rozpoczęciem korzystania z produktu należy usunąć folię ochronną z ekranu LCD.
- Jeśli zasilacz jest podłączony, nie jest konieczne używanie baterii. Jeśli jednak adapter zostanie odłączony, ustawienia zostaną zresetowane, dlatego zalecamy włożenie baterii do stacji bazowej.
- Stacja bazowa może stać na stole lub można ją zamontować na ścianie.



## INSTALACJA CZUJNIKA

Stacja bazowa obsługuje podłączenie do 3 czujników. Przełącznik czujnika znajduje się w komorze baterii i można go ustawić w pozycji 1, 2, 3, aby zsynchronizować informacje z Kanału ZEWNĘTRZNEGO 1, Kanału 2 i Kanału 3.

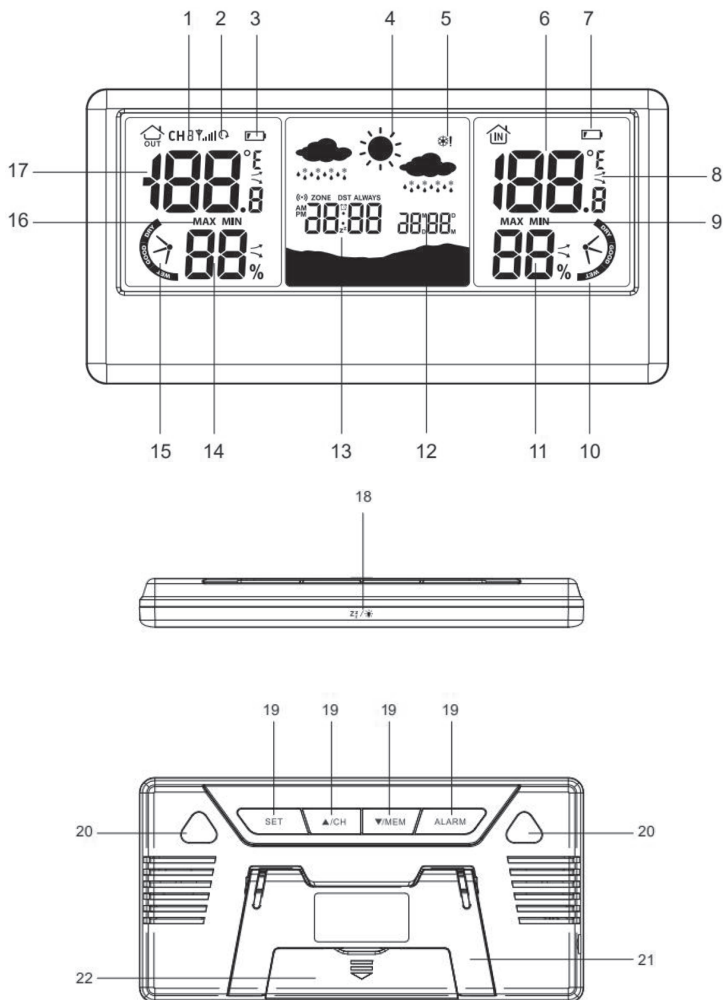
1. Zdejmij osłonę zasobnika na baterie i przy pomocy przełącznika kanałów wybierz kanał (1, 2, 3).
2. Włóż 2 baterie AA zwracając uwagę na prawidłową polaryzację (+ i -). Po jednokrotnym mignięciu czerwonego wskaźnika LED należy złożyć komorę baterii.
3. Umieść czujnik w wybranym miejscu.



## Wskaźnik rozładowanych baterii

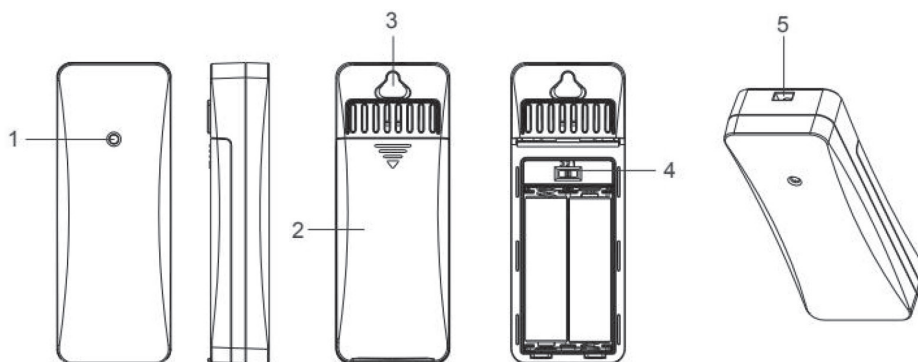
Jeśli napięcie baterii jednostki głównej wynosi poniżej 3,6 V lub jeśli napięcie czujnika zdalnego sterowania wynosi poniżej 2,5 V, na wyświetlaczu LCD pojawi się wskaźnik rozładowania baterii. Gdy urządzenie jest zasilane z zasilacza sieciowego, akumulator służy jako zapasowa pamięć. Jeśli wyświetlany jest wskaźnik niskiego poziomu naładowania baterii urządzenia głównego, napięcie baterii w urządzeniu głównym jest niższe niż 3,6 V. Należy sprawdzić stan baterii. Aby nie doszło do rozładowania baterii i uszkodzenia jednostek, wymień baterie niezwłocznie po wyświetleniu się wskaźnika rozładowanych baterii. Należy używać suchych baterii alkalicznych; nie należy używać akumulatorów.

## WYŚWIETLACZ LCD



1. Temperatura i wilgotność zewnętrzna
2. Cykliczne wyświetlanie 3 kanałów zewnętrznych
3. Wskaźnik rozładowanych baterii (czujnik)
4. Prognoza pogody
5. Ostrzeżenie przed mrozem
6. Temperatura wewnętrzna
7. Wskaźnik rozładowania baterii (jednostka główna)
8. Trend temperatury i wilgotności
9. Maks. i min. zapis temperatury i wilgotności w pomieszczeniu przez 24 godziny
10. Wskaźnik komfortu w środowisku wewnętrznym
11. Wilgotność wewnętrzna
12. Kalendarz
13. Aktualny czas
14. Wilgotność zewnętrzna
15. Wskaźnik komfortu na zewnątrz
16. Maks. i min. wartość temperatury i wilgotności w pomieszczeniu przez 24 godziny
17. Temperatura zewnętrzna
18. Przycisk dotykowy – **SNOOZE/LIGHT (powtarzanie budzenia/Światło)**  $\text{Z}_z/\text{☀}$
19. Przyciski (**SET (Ustawienia)**,  $\blacktriangle/\text{CH}$  (Kanał),  $\blacktriangledown/\text{MEM}$  (Pamięć), **ALARM (Alarm)**)
20. Otwór do zawieszania
21. Stojak
22. Osłona pojemnika na baterie

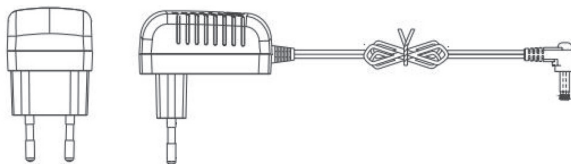
## CZUJNIK



1. Dioda LED
2. Osłona pojemnika na baterie
3. Otwór do zawieszania
4. Przełącznik kanałów
5. Otwór do zawieszania na sznurze

Miganie czerwonej diody LED oznacza wysłanie sygnału do urządzenia głównego.

## ZASILACZ SIECIOWY



## WŁAŚCIWOŚCI

- Czas i kalendarz (Dzień/Miesiąc/Rok)
- Wybór formatu 12/24 godzin
- Budzik z funkcją drzemki
- Prognoza pogody z 5 stanami: słonecznie, częściowo pochmurno, pochmurno, deszcz, śnieg
- Temperatura i wilgotność wewnętrzna
- Temperatura i wilgotność zewnętrzna
- Obsługa do 3 czujników (1 w zestawie)
- Funkcja automatycznego cyklicznego wyświetlania danych pomiarowych ze wszystkich 3 czujników zewnętrznych
- Maks. / min. wartość w pamięci dla wszystkich wewnętrznych i zewnętrznych temperatur i wilgotności
- Wskaźnik trendu
- Wybór C/F (stopnie Celsjusza/Fahrenheita)
- Wskaźnik komfortu
- Maksymalna/minimalna liczba zapisów w pamięci
- Wskaźniki rozładowanych baterii
- Funkcja włączania/wyłączania dźwięku
- Zasięg transmisji: do 80 m w otwartej przestrzeni
- 3 tryby jasności: Wysoki/Niski/Wyłączony
- Możliwość postawienia na stole lub powieszenia na ścianie
- Częstotliwość transmisji czujnika: 433,92 MHz
- Zasilanie jednostki głównej: 3 × bateria AAA 1,5 V (brak w zestawie) i zasilacz sieciowy 5 V 1,2 A (w zestawie)
- Zasilanie czujnika: 2 × bateria AA 1,5 V (brak w zestawie)

## INSTRUKCJA OBSŁUGI

		<b>[SET (Ustawie- nia)]</b>	<b>[▲/CH (Kanał)]</b>	<b>[▼/MEM (Pamięć)]</b>	<b>[ALARM (Budzik)]</b>	<b>[SNOOZE/LIGHT (Powtarzane budze- nie/Swiatło)]</b>
Tryb stan- dardowy	Naci- śnięcie przycisku	-----	Przełączanie CH1/CH2/ CH3	Wyświetlanie maksymalnej i minimalnej wartości	Wyświetla- nie czasu alarmu, włączanie/ wyłączanie alarmu	*Podświetlenie przy zasilaniu bateryjnym *Przełączanie na inny poziom podświetlenia *Powtarzające się budzenie podczas dzwonienia *Zapisz i wyjdź pod- czas konfiguracji
	Przytrzy- manie	Aby otwo- rzyć usta- wienia czasu i kalendarza	Usunięcie wszystkich danych z 3 kanałów i ponowne sprawdze- nie nowych danych	Usuwanie wartości maksy- malnej/ minimalnej temperatury wewnętrznej i zewnętrznej	Otwarcie ustawień budzika	-----
Ustawienia czasu	Naci- śnięcie przycisku	Potwierdza- nie	Zwiększ o 1 krok	Zmniejsz o 1 krok	-----	*Zapisz i wyjdź pod- czas konfiguracji
	Przytrzy- manie	Otwórz usta- wienia czasu	Szybkie zwiększenie	Szybkie zmniejszenie	-----	-----
Usta- wienie budzika	Naci- śnięcie przycisku	-----	Podwyższe- nie	Obniżenie	Potwierdza- nie	*Zapisz i wyjdź pod- czas konfiguracji
	Przytrzy- manie	-----	Szybkie zwiększenie	Szybkie zmniejszenie	-----	-----
Tryb dzwonka alarmu	Naci- śnięcie przycisku	Zatrzymanie dźwięku alarmu	Zatrzymanie dźwięku alarmu	Zatrzymanie dźwięku alarmu	Zatrzymanie dźwięku alarmu	Włączenie powtarza- nia alarmu
	Przytrzy- manie	-----	-----	-----	-----	-----

Przycisk dotykowy **[Snooze/Light]** należy przytrzymać przez 1 sekundę dla każdej operacji.

## KREATOR USTAWIEŃ

Naciśnij i przytrzymaj przycisk **[SET]**, aby otworzyć tryby Tone on/off (włączanie/wyłączanie dźwięku), 12/24h, przełączania C/F i ustawiania godziny.

Naciśnij przycisk **[▲/CH]**, aby przełączyć kanał 1/2/3, naciśnij i przytrzymaj przez 3 sekundy przycisk **[▲/CH]**, aby szybko zwiększyć lub usunąć wszystkie 3 kanały i ponownie zarejestrować nowe dane

Naciśnij przycisk **[▼/MEM]**, aby wyświetlić maks. i min. wartość, naciśnij i przytrzymaj przycisk **[▼/MEM]**, aby usunąć maks./min. wartość dla środowiska wewnętrznego i zewnętrznego

Naciśnij przycisk **[ALARM]**, aby wyświetlić godzinę i stan alarmu, naciśnij i przytrzymaj przycisk **[ALARM]**, aby otworzyć tryb ustawień alarmu

Naciśnij i przytrzymaj przycisk **[ALARM]**, aby otworzyć tryb ustawiania czasu alarmu



Naciśnij przycisk **[SNOOZE/LIGHT]**, aby włączyć podświetlenie na 20 sekund przy zasilaniu baterijnym. Ustawienia zostaną zapisane i zakończone; poziom podświetlenia zmieni się w cyklu wysoki/niski/wyłączony.

Gdy alarm dzwoni, naciśnij dowolny przycisk, aby zatrzymać dzwonek lub naciśnij **[SNOOZE/LIGHT]**, aby aktywować tryb powtarzania budzenia z 5-minutowym opóźnieniem. Naciśnij dowolny przycisk, aby wyjść w trakcie dzwonka lub powtarzającego się okresu budzenia.

## USTAWIENIA CZASU

1. W trybie czuwania wciśnij przycisk **[SET]** i przytrzymaj go przez 3 sekundy. Stacja pogodowa aktywuje tryb ustawiania czasu, a ustawiona cyfra zacznie migać. Kolejność ustawień: Włączenie/wyłączenie sygnału dźwiękowego → 12/24 h → godziny → minuty → rok → DM/MD → miesiąc → dzień → C/F → potwierdzenie i wyjście.  
**Podczas konfiguracji wyświetlane będą tylko cyfry ustawień; inne elementy będą niewidoczne.**
2. Naciśnij przycisk **[▲/CH]** lub **[▼/MEM]**, aby zmienić dane ustawienie na żądane wartości; naciśnij przycisk **[▲/CH]**, aby zwiększyć wartość o 1, naciśnij i przytrzymaj przycisk **[▲/CH]**, aby szybko zwiększyć wartość. Naciśnij przycisk **[▼/MEM]**, aby zmniejszyć wartość o 1, naciśnij i przytrzymaj przycisk **[▼/MEM]**, aby szybko zmniejszyć wartość.
3. Jeśli w ciągu 20 sekund nie zostanie wykonana żadna operacja, ustawienia zostaną automatycznie potwierdzone, a konfiguracja zostanie zakończona.
4. Aby potwierdzić ustawienia, wciśnij przycisk **[SET]**.
5. Jeśli w ciągu 20 sekund nie zostanie wykonana żadna operacja, bieżące ustawienia zostaną zapisane, a konfiguracja zostanie zakończona.

## BUDZIK I DRZEMKA

1. Naciśnij przycisk **[ALARM]** aby sprawdzić czas budzenia lub stan włączenia/wyłączenia alarmu. Gdy alarm jest włączony, wyświetlana jest ikona alarmu . Jeśli w ciągu 5 sekund nie zostanie wykonana żadna operacja, przywrócony zostanie normalny tryb wyświetlania czasu.
2. Naciśnij i przytrzymaj przycisk alarmu, aby otworzyć ustawienia alarmu. Ustawiana cyfra będzie pulsować.
3. Kolejność ustawień: Godzina – Minuty – Zakończ.
4. Naciśnij przycisk **[▲/CH]** lub **[▼/MEM]**, aby zmienić pozycje ustawień na żądane wartości;
5. Jeśli w ciągu 20 sekund nie zostanie wykonana żadna operacja, ustawienia zostaną automatycznie zapisane i konfiguracja zostanie zakończona.
6. Budzik będzie dzwonić przez 2 minuty w następujący sposób  
0–10 sekund: 1 sygnały dźwiękowe na sekundę  
11–20 sekund: 2 sygnały dźwiękowe na sekundę  
21–30 sekund: 4 sygnały dźwiękowa na sekundę  
31–120 sekund: Ciągły sygnał dźwiękowy
7. Alarm będzie dzwonił przez 2 minuty, a następnie zostanie automatycznie anulowany. Naciśnij dowolny inny przycisk, aby wyłączyć dźwięk alarmu i włączyć go ponownie za 24 godziny.
8. Funkcja ponownego budzenia: Gdy zadzwoni budzik, naciśnij przycisk **[SNOOZE/LIGHT]**, aby aktywować funkcję powtarzania budzenia przez 5 minut – pojawi się ikona powtarzania budzenia **Z**. Alarm włączy się po upływie czasu powtarzania budzenia. Powtarzające się budzenie będzie trwało 2 minuty, a następnie zostanie automatycznie anulowane. Naciśnij dowolny przycisk z wyjątkiem przycisku **[SNOOZE/LIGHT]**, aby wyłączyć powtarzający się dzwonek budzenia.
9. Aby całkowicie dezaktywować alarm, naciśnij w trybie standardowym przycisk **[ALARM]**; ikona zgaśnie.





## TEMPERATURA I WILGOTNOŚĆ

### 1. Przełączanie °C/°F

Zakres temperatury WEWNĘTRZNEJ: -9,9°C – 50°C (14°F – 122°F)

Zakres temperatury ZEWNĘTRZNEJ: -40°C – 60°C (-40 – 140°F)

Zakres wyświetlania wilgotności WEWNĘTRZNEJ: 1 % RH – 99 % RH

Zakres wyświetlania wilgotności ZEWNĘTRZNEJ: 10 % RH – 99 % RH

Jeśli zakres zostanie przekroczony, wyświetli się L.L.L i H.H.H

### 2. Trendy:

Ikona trendów nie pojawi się natychmiast po włączeniu.

Trend jest wyświetlany, gdy temperatura wzrośnie o 1°C w porównaniu do ostatnich danych lub wzrośnie o 1°C w ciągu 1 godziny;

Trend jest wyświetlany, gdy wilgotność wzrośnie o 3 % w porównaniu do ostatnich danych lub wzrośnie o 3 % w ciągu 1 godziny;

to samo dotyczy trendów malejących;

gdy wzrost/spadek jest mniejszy niż 1°C lub 3 % w ciągu 1 godziny, ikona trendu nie będzie wyświetlana.

## PAMIĘĆ

1. W normalnym trybie wyświetlania czasu naciśnij przycisk [/MEM], aby wyświetlić temperaturę wewnętrzną i zewnętrzną oraz wilgotność dla 3 kanałów. Sekwencja zapisów: maksymalna temperatura i wilgotność wewnątrz/na zewnątrz → minimalna temperatura i wilgotność wewnątrz/na zewnątrz. Jeśli w ciągu 5 sekund nie zostanie wykonana żadna operacja, zostanie przywrócone bieżące wskazanie temperatury i wilgotności.

### 2. Max./Min.:

Maksymalne/minimalne wartości są automatycznie usuwane codziennie o godzinie 00:00. Można też ręcznie usunąć maksymalną/minimalną wartość, przytrzymując przycisk [/MEM] w trybie wyświetlania czasu. Wartość zostanie usunięta i pojawi się aktualna wartość.

## RF – TEMPERATURA I WILGOTNOŚĆ ZEWNĘTRZNA

1. Ta stacja pogodowa będzie automatycznie odbierać sygnał przesyłany przez czujnik zewnętrzny przez maksymalnie 3 minuty po włączeniu, w którym to czasie ikona odbioru sygnału będzie migać. Jeśli w ciągu 3 minut nie zostanie odebrany żaden sygnał, ikona odbioru sygnału zgaśnie, a sygnał zewnętrzny zostanie zatrzymany. Ponowna synchronizacja sygnału będzie aktywowana co godzinę przez następną godzinę, aż do odebrania sygnału i wyświetlenia danych na jednostce głównej.
2. W normalnym trybie wyświetlania czasu naciśnij i przytrzymaj przycisk [/CH] przez co najmniej 2 sekundy, aby ręcznie rozpocząć ponowną rejestrację sygnału RF.
3. Jeśli w ciągu 2 godzin nie zostanie odebrany żaden sygnał, dla danego kanału zostanie wyświetlony komunikat „--.-“.

## OBSŁUGA KANAŁU I CZUJNIKA

1. Ta stacja pogodowa obsługuje podłączenie max. 3 czujników.
2. Zdejmij pokrywę baterii z czujnika i przesuń przełącznik CH (Channel) na CH1/CH2/CH3; upewnij się, że każdy czujnik ma przypisany inny numer KANAŁU.
3. Zalecamy umieszczenie czujnika CH1 na zewnątrz w celu dokładniejszego prognozowania pogody i umieszczenie pozostałych czujników w wybranej lokalizacji.





4. W trybie standardowym naciśnij przycisk **[▲/CH]**, aby wyświetlić temperaturę i wilgotność zewnętrzną kanału 1/2/3. Po przełączeniu w ten tryb wyświetlacz będzie automatycznie przełączał się między danymi z 3 czujników. Aby zresetować wszystkie dane czujnika, naciśnij i przytrzymaj przycisk **[▲/CH]** przez 3 sekundy, aby ponownie podłączyć czujniki.






## UWAGI

1. Jednostka główna i nadajnik powinny znajdować się w odległości co najmniej 1,5–2 metrów od wszelkich źródeł zakłóceń, takich jak monitory komputerowe lub telewizory.
2. Jednostka centralna nie może być umieszczona w pobliżu metalowych ram okiennych.
3. Nie należy używać innych produktów elektronicznych, takich jak słuchawki lub głośniki, działających na tej samej częstotliwości sygnału.
4. Zakłócenia mogą być również powodowane przez urządzenia elektroniczne sąsiadów korzystające z tej samej częstotliwości sygnału.
5. Częstotliwość: 433,92 MHz
6. Odległość odbioru sygnału: 80 m

## Ponowna synchronizacja urządzenia

Gdy wartości temperatury i wilgotności czujników zewnętrznych na jednostce centralnej się nie pojawiają, spróbuj ponownie zsynchronizować urządzenie. Najpierw się upewnij, że jednostka centralna jest włączona, a następnie włóż baterie do czujników – mrugający czerwony wskaźnik na czujniku sygnalizuje wysyłanie sygnału do jednostki centralnej.

## PROGNOZA POGODY

IKONA POGODY					
Opis	Słonecznie	Częściowe zachmurzenie	Zachmurzenie pełne	Deszcz	Opady śniegu

Prognoza pogody na 12 godzin: Słonecznie, Częściowe zachmurzenie, Pochmurno, Deszcz, Śnieg  
Wyświetlanie ikon pogody opiera się na godzinowej kalkulacji temperatury i wilgotności wewnętrznej/ zewnętrznej. Stacja pogodowa prognozuje warunki pogodowe na najbliższe 12 godzin z dokładnością 70–75 %. Zdalny czujnik powinien być umieszczony na zewnątrz, aby uzyskać dokładne dane zewnętrzne. W przeciwnym razie wpłynie to na dokładność prognozy pogody.  
Domyślne wyświetlanie pogody to Częściowe zachmurzenie; jednostka główna skalibruje raporty pogodowe w ciągu 1–2 tygodni na podstawie zmian temperatury i wilgotności.  
Zdalny czujnik powinien być umieszczony na zewnątrz, aby zapewnić dokładne dane zewnętrzne i nie wpływać na dokładność prognozy pogody.



## WSKAŹNIK POZIOMU KOMFORTU

Poziom komfortu pokazują 3 stany: DRY (Sucho), GOOD (Optymalnie), WET (Wilgotno)

Poziom komfortu	Zakres wilgotności
Sucho	1–40 %
Optymalne	41–75 %
Wilgotno	≥ 76 %

## PODŚWIETLENIE

Gdy stacja bazowa jest zasilana wyłącznie bateriami, dotknij przycisku **[SNOOZE/LIGHT ]** na górze przez 1 sekundę, aby chwilowo podświetlić ekran na 20 sekund.

Gdy zasilanie jest dostarczane przez adapter, dotknij przycisku **[SNOOZE/LIGHT]**, aby ustawić jasność na BRIGHT (Wysoka) – DIM (Niska) – OFF (Wylączona).

## OSTRZEŻENIE O NISKIM POZIOMIE BATERII

Po zainstalowaniu baterii co minutę wykonywana jest kontrola stanu; w przypadku niskiego poziomu naładowania baterii wyświetlany jest wskaźnik niskiego poziomu naładowania baterii. W przypadku rozładowanych baterii zalecamy ich wymianę, aby uniknąć negatywnego wpływu na działanie urządzenia.

## OSTRZEŻENIE PRZED MROZEM

Gdy temperatura mieści się w zakresie 0–2,9°C ikona śniegu \*! będzie migać; jeśli temperatura jest niższa niż 0°C, ikona śniegu \*! będzie się świecić.

## SPOSOBY MONTAŻU

Stację pogodową można umocować na dwa sposoby.

- Zdejmij metalowe podstawki w komorze baterii i przymocuj je do odpowiednich otworów.
- Użyj odpowiedniego otworu ściennego, aby powiesić produkt

Czujnik można umieścić w następujący sposób.

1. Przy pomocy otworu w górnej części zawieś tylną część czujnika na gwoździu.
2. Zamontuj czujnik na ścianie zwróconą na północ lub w jakimkolwiek innym zacienionym miejscu. Preferowanym miejscem jest miejsce znajdujące się pod gzymsem lub balustradą na tarasie.
3. Maksymalny zasięg transmisji bezprzewodowej tej stacji pogodowej wynosi 80 metrów na otwartej przestrzeni bez ścian i podłóg.
4. Zamontuj czujnik pionowo, aby umożliwić prawidłowe odprowadzanie wilgoci. Czujnik należy umieścić z dala od bezpośredniego światła słonecznego i zapewnić mu dobrą wentylację.

## ŚRODKI BEZPIECZEŃSTWA

- Nie czyść żadnej części tego produktu benzenem, rozcieńczalnikiem, ani innymi rozpuszczalnikami chemicznymi. Jeśli to konieczne, wyczyść produkt delikatną ściereczką.
- Nigdy nie zanurzaj tego produktu w wodzie. Mogłoby dojść do uszkodzenia produktu.
- Nie narażaj produktu na działanie nadmiernej siły, wstrząsów lub wahań temperatury czy wilgotności.
- Nie ingeruj w części wewnętrzne.
- Nie łącz starych baterii z nowymi ani baterii różnych typów.
- Nie łącz w tym produkcie baterii alkalicznych, standardowych i akumulatorów.
- Jeżeli będziesz przez dłuższy czas produkt przechowywać, wyjmij z niego baterie.
- Nie wyrzucaj tego produktu razem z odpadami komunalnymi. Takki odpad należy zutylizować odrębnie w specjalny sposób.

## DANE TECHNICZNE

<b>Zakres pomiarów temperatury wewnętrznej</b>	-9,9°C do +50°C
<b>Zakres pomiarów temperatury zewnętrznej</b>	-40°C do +60°C
<b>Zakres pomiaru wilgotności w pomieszczeniach</b>	1 % do 99 % WW
<b>Zakres pomiaru wilgotności na zewnątrz</b>	10 % do 99 % WW
<b>Wyświetlacz skali temperatury</b>	opcjonalnie w °C/°F
<b>Transmisja zdalna</b>	do 80 m (w otwartej przestrzeni)
<b>Częstotliwość nadajnika czujnika</b>	433,92 MHz
<b>Zasilacz jednostki głównej</b>	DC 5 V / 1200 mA (w zestawie), Zużycie: 6 W
<b>Bateria zapasowa jednostki głównej</b>	3 x 1,5 V typu AAA (baterie nie wchodzą w skład zestawu)
<b>Zasilanie czujnika</b>	2 x 1,5 V typu AA (baterie nie wchodzą w skład zestawu)
<b>Wymiary jednostki głównej ( szer. / wys. / gł. )</b>	147 x 74 x 17 mm
<b>Wymiary czujnika bezprzewodowego (szer. / wys. / gł.)</b>	38 x 100 x 22 mm
<b>Ciężar jednostki głównej</b>	173 g (włącznie z bateriami, bez adapteru)
<b>Waga czujnika bezprzewodowego</b>	32 g

## DANE TECHNICZNE ADAPTERA

Nazwa lub znak towarowy producenta, numer w rejestrze handlowym i adres:	DONGGUAN SHIJIE HUAXU ELECTRONICS FACTORY, numer rejestracji działalności gospodarczej: 440429543, Adres: No. 200, Technology East Road, Shijie TownDongguan City, Guangdong, P.R.China
Oznaczenie modelu:	HX075-0501200-AG-001
Napięcie wejściowe:	AC 100–240 V
Zasilanie prądem zmiennym:	50/60 Hz
Napięcie wyjściowe:	DC 5,0 V
Prąd wyjściowy:	1,2 A
Moc wyjściowa:	6,0 W
Średnia wydajność w trybie aktywnym:	≥ 75,00 %
Wydajność przy niskim obciążeniu (10 %):	71,17 %
Zużycie energii bez obciążenia:	≤ 0,1 W



## WSKAZÓWKI I INFORMACJE DOTYCZĄCE UTYLIZACJI ŻUŻYTYCH OPAKOWAŃ

Zanieś materiał opakowaniowy do punktu skupu w celu recyklingu.

### UTYLIZACJA ŻUŻYTYCH URZĄDZEŃ ELEKTRYCZNYCH I ELEKTRONICZNYCH



Ten symbol na produkcie, akcesorium lub opakowaniu oznacza, że produktu nie wolno traktować jak zwykłych odpadów domowych. Produkt należy przekazać do punktu recyklingu urządzeń elektrycznych i elektronicznych. W niektórych krajach UE lub innych krajach europejskich można zwrócić stary produkt do lokalnego sprzedawcy przy zakupie równoważnego nowego produktu. Pozbywając się tego produktu w sposób prawidłowy, pomagasz chronić cenne zasoby naturalne i zapobiegasz potencjalnym negatywnym wpływom na środowisko i zdrowie ludzkie, które mogą wynikać z niewłaściwej utylizacji. Szczegółowych informacji udzielą lokalne urzędy lub najbliższy punkt zbiórki odpadów. Za niewłaściwą utylizację tego typu odpadów można zostać ukaranym grzywną.

#### **Dla firm w krajach Unii Europejskiej**

Jeśli chcesz zutylizować urządzenia elektryczne lub elektroniczne, zasięgnij informacji u swego sprzedawcy lub dostawcy.

#### **Utylizacja wyrobu w krajach poza Unią Europejską**

Informacje na temat prawidłowej utylizacji tego produktu można uzyskać u władz lokalnych lub u sprzedawcy.



Produkt spełnia wymagania UE.

FAST ČR, a.s., niniejszym oświadcza, że urządzenie radiowe typu SWS 4100 jest zgodne z dyrektywą 2014/53/UE. Pełną wersję deklaracji zgodności UE można znaleźć na stronie internetowej: [www.sencor.pl](http://www.sencor.pl)

Tekst, design i dane techniczne mogą ulec zmianie bez uprzedzenia. Zastrzegamy sobie prawo do dokonania takich zmian.

Wersją oryginalną jest wersja czeska.

Producent: FAST ČR, a. s., U Sanitasu 1621, Říčany 251 01, Republika Czeska, [info@sencor.com](mailto:info@sencor.com)

Autoryzowane punkty serwisowe: Szczegółowe informacje na temat autoryzowanych punktów serwisowych znajdują się na stronie [www.sencor.com](http://www.sencor.com).



# SENCOR®

## PL Warunki gwarancji

### Karta gwarancyjna nie jest częścią pakietu urządzenia.

Produkt objęty jest 24 – miesięczną gwarancją, począwszy od daty zakupu przez klienta. Gwarancja jest ograniczona tylko do przedstawionych dalej warunków. Gwarancja obejmuje tylko produkty zakupione w Polsce i jest ważna tylko na terytorium Rzeczypospolitej Polskiej. Gwarancja obejmuje tylko produkty funkcjonujące w warunkach gospodarstwa domowego (nie dotyczy produktów oznaczonych jako „Professional”). Zgłoszenia gwarancyjne można dokonać w autoryzowanej sieci serwisowej lub w sklepie, gdzie produkt został nabyty. Użytkownik jest zobowiązany zgłosić usterkę niezwłocznie po jej wykryciu, a najpóźniej w ostatnim dniu obowiązywania okresu gwarancyjnego. Użytkownik jest zobowiązany do przedstawienia i udokumentowania usterki. Tylko kompletne i czyste produkty (zgodnie ze standardami higienicznymi) będą przyjmowane do naprawy. Usterki będą usuwane przez autoryzowany punkt serwisowy w możliwie krótkim terminie, nieprzekraczającym 14 dni roboczych. Okres gwarancji przedłuża się o czas pobytu sprzętu w serwisie. Klient może ubiegać się o wymianę sprzętu na wolny od wad, jeżeli punkt serwisowy stwierdzi na piśmie, że usunięcie wady jest niemożliwe. Aby produkt mógł być przyjęty przez serwis, użytkownik jest zobowiązany dostarczyć oryginały: dowodu zakupu (paragon lub faktura), podbitej i wypełnionej karty gwarancyjnej, certyfikatu instalacji (niektóre produkty).

#### Gwarancja zostaje unieważniona, jeśli:

- usterka była widoczna w chwili zakupu;
- usterka wynika ze zwykłego użytkowania i zużycia;
- produkt został uszkodzony z powodu złej instalacji, niezastosowania się do instrukcji obsługi lub użytkownika niezgodnego z przeznaczeniem;
- produkt został uszkodzony z powodu złej konserwacji lub jej braku;
- produkt został uszkodzony z powodu zanieczyszczenia, wypadku lub okoliczności o charakterze sił wyższych (powódź, pożar, wojny, zamieszki itp.);
- produkt wykazuje złe działanie z powodu słabego sygnału, zakłóceń elektromagnetycznych itp.;
- produkt został uszkodzony mechanicznie (np. Wyłamany przycisk, upadek, itp.);
- produkt został uszkodzony z powodu użycia niewłaściwych materiałów eksploatacyjnych, nośników, akcesoriów, baterii, akumulatorów itp. lub z powodu użytkowania w złych warunkach (temperatura, wilgotność, wstrząsy itp.);
- produkt był naprawiany lub modyfikowany przez nieautoryzowany personel;
- użytkownik nie jest w stanie udowodnić zakupu (nieczytelny paragon lub faktura), dane na przedstawionych dokumentach są inne niż na urządzeniu;
- produkt nie może być zidentyfikowany ze względu na uszkodzenie numeru seryjnego lub plomby gwarancyjnej.

Sprzęt marki Sencor serwisuje **Centralny Serwis FAST Poland Sp. z o.o.** Okres gwarancji wynosi 24 miesiące dla użytkownika domowego, dla firm i instytucji ulega skróceniu do 12 miesięcy od daty zakupu. Prosimy o sprawdzenie szczegółów procedury reklamacyjnej na stronie internetowej <https://www.sencor.pl/serwis> lub kontakt telefoniczny.

#### Adres producenta:

FAST CR, a.s., U Sanitasu 1621, Říčany CZ-251 01

#### Dystrybutor:

FAST POLAND SP. Z O.O., Kwietniowa 36, 05-090 Wypędy, Poland, tel: +48 22 102 16 90, e-mail: [biuro@fastpoland.pl](mailto:biuro@fastpoland.pl), [www.fastpoland.pl](http://www.fastpoland.pl)

#### Autoryzowany serwis:

FAST POLAND SP. Z O.O., Kwietniowa 36, 05-090 Wypędy, Poland, tel: +48 22 102 16 90, e-mail: [serwis@fastpoland.pl](mailto:serwis@fastpoland.pl), [www.fastpoland.pl](http://www.fastpoland.pl)

Językiem oryginalnej wersji instrukcji jest język czeski, pozostałe wersje językowe są tłumaczone.





**FAST ČR, a. s., U Sanitasu 1621, Říčany CZ-251 01**

