



WASHER USER INSTRUCTIONS

INSTRUCTIONS D'UTILISATION DE LA LAVEUSE

Table of Contents / Table des matières

ASSISTANCE OR SERVICE	1	INSTRUCTIONS D'UTILISATION DE LA LAVEUSE	10
WASHER SAFETY	2	SÉCURITÉ DE LA LAVEUSE	11
WASHER USE	3	UTILISATION DE LA LAVEUSE.....	12
WASHER CARE.....	5	ENTRETIEN DE LA LAVEUSE.....	14
TROUBLESHOOTING.....	6	DÉPANNAGE	15
WARRANTY.....	9	GARANTIE.....	19

Para obtener acceso al manual de uso y cuidado en español, o para obtener información adicional acerca de su producto, visite: www.maytag.com.

Tenga listo su número de modelo completo. Podrá encontrar el número de modelo y de serie en la etiqueta ubicada debajo de la tapa de la lavadora.

Assistance or Service

If you need assistance or service, first see the "Troubleshooting" section. Additional help is available by calling our Maytag Services, LLC, at **1-800-688-9900** from anywhere in the U.S.A., visiting our website at www.amana.com/help or write:

Maytag Services, LLC
Attn: CAIR® Center
P.O. Box 2370
Cleveland, TN 37320-2370

In Canada, for assistance, installation and service, call **1-800-807-6777**, visit our website at www.amanacanada.ca or write:

Whirlpool Canada LP
Customer Interaction Centre
1901 Minnesota Court
Mississauga, Ontario L5N 3A7

Please include a daytime phone number in your correspondence.

Keep this book and your sales slip together for future reference. You must provide proof of purchase or installation date for in-warranty service.

Write down the following information about your appliance to help you obtain assistance or service if you ever need it. You will need to know your complete model number and serial number. You can find this information on the model and serial number label, located under the washer lid.

Dealer name _____

Serial number _____

Address _____

Phone number _____

Model number _____

Accessories

Enhance your washer with these premium accessories.

For more high-quality items or to order, call **1-800-901-2042**, or visit us at www.amana.com/accessories.

In Canada, call **1-800-807-6777** or visit us at www.amanacanada.ca.

Part Number	Accessory	Part Number	Accessory
8212656RP	10 ft (3.0 m) Black EPDM (2 pack)	8212641RP	5 ft (1.5 m) Black EPDM (2 pack)
8212638RP	6 ft (1.8 m) Nylon braided space-saving inlet hose, 90° elbow, hydro-blue steel couplings. (2-pack)	8212546RP	4 ft (1.2 m) Black EPDM (2 pack)
8212487RP	5 ft (1.5 m) Nylon braided inlet hose. (2-pack)	8212526	Washer drip tray, fits under all
8212637RP	6 ft (1.8 m) Black EPDM, space saving 90° elbow, hydro-blue steel couplings. (2-pack)	31682	All purpose appliance cleaner
8212545RP	5 ft (1.5 m) Red and Blue EPDM. (2-pack)	1903WH	Laundry supply storage cart

This washer does not include inlet water hoses.

W10192187A



WASHER SAFETY

Your safety and the safety of others are very important.

We have provided many important safety messages in this manual and on your appliance. Always read and obey all safety messages.



This is the safety alert symbol.

This symbol alerts you to potential hazards that can kill or hurt you and others.

All safety messages will follow the safety alert symbol and either the word "DANGER" or "WARNING." These words mean:

! DANGER

You can be killed or seriously injured if you don't immediately follow instructions.

! WARNING

You can be killed or seriously injured if you don't follow instructions.

All safety messages will tell you what the potential hazard is, tell you how to reduce the chance of injury, and tell you what can happen if the instructions are not followed.

IMPORTANT SAFETY INSTRUCTIONS

WARNING: To reduce the risk of fire, electric shock, or injury to persons when using the washer, follow basic precautions, including the following:

- Read all instructions before using the washer.
- Do not wash articles that have been previously cleaned in, washed in, soaked in, or spotted with gasoline, dry-cleaning solvents, other flammable, or explosive substances as they give off vapors that could ignite or explode.
- Do not add gasoline, dry-cleaning solvents, or other flammable, or explosive substances to the wash water. These substances give off vapors that could ignite or explode.
- Under certain conditions, hydrogen gas may be produced in a hot water system that has not been used for 2 weeks or more. **HYDROGEN GAS IS EXPLOSIVE.** If the hot water system has not been used for such a period, before using the washing machine, turn on all hot water faucets and let the water flow from each for several minutes. This will release any accumulated hydrogen gas. As the gas is flammable, do not smoke or use an open flame during this time.
- Do not allow children to play on or in the washer. Close supervision of children is necessary when the washer is used near children.
- Before the washer is removed from service or discarded, remove the door or lid.
- Do not reach into the washer if the drum, tub or agitator is moving.
- Do not install or store the washer where it will be exposed to the weather.
- Do not tamper with controls.
- Do not repair or replace any part of the washer or attempt any servicing unless specifically recommended in this manual or in published user-repair instructions that you understand and have the skills to carry out.
- See "Electrical Requirements" for grounding instructions.

SAVE THESE INSTRUCTIONS

WASHER USE

Starting Your Washer

⚠ WARNING



Fire Hazard

Never place items in the washer that are dampened with gasoline or other flammable fluids.

No washer can completely remove oil.

Do not dry anything that has ever had any type of oil on it (including cooking oils).

Doing so can result in death, explosion, or fire.

⚠ WARNING



Electrical Shock Hazard

Plug into a grounded 3 prong outlet.

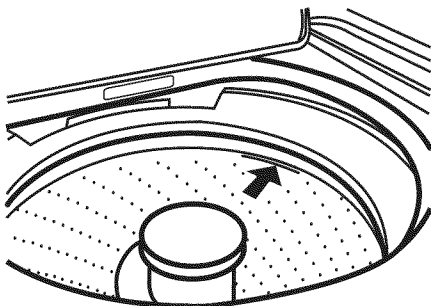
Do not remove ground prong.

Do not use an adapter.

Do not use an extension cord.

Failure to follow these instructions can result in death, fire, or electrical shock.

1. Measure detergent and pour it into the washer. If desired, add powdered or liquid color safe bleach.
2. Drop a sorted load of clothes loosely into your washer.
 - Load evenly to maintain washer balance. Mix large and small items. Items should move easily through the wash water.
 - Load only to the top of the basket as shown. Overloading can cause poor cleaning.

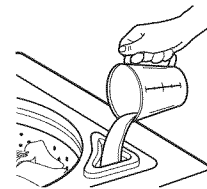


3. (OPTIONAL) Add liquid chlorine bleach.

NOTE: Follow the garment and the chlorine bleach manufacturers' directions for proper use. Undiluted bleach will damage any fabric it touches. The damage appears as rips, holes, tears, or color loss and may not show up until several washings later. To avoid spilling, use a cup with a pouring spout. Do not let bleach splash, drip, or run down into the washer basket. Always measure liquid chlorine bleach. Do not guess. Do not use more than the manufacturer's recommended amount for a full load. Use less with a smaller load size.

Style 1: With liquid chlorine bleach dispenser (on some models)

- Use only liquid chlorine bleach in this dispenser. Do not use this dispenser to add powdered chlorine or color-safe bleach to your load. Pour measured liquid chlorine bleach into the liquid chlorine bleach dispenser. Bleach is immediately fed into washer and is diluted automatically during the wash part of the cycle.



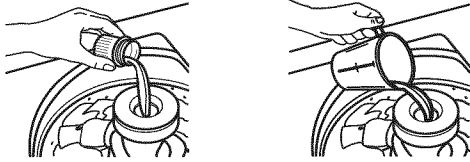
Style 2: Without liquid chlorine bleach dispenser (on some models)

- Let the washer fill and begin agitating the load.
 - Add bleach 5 minutes into the wash cycle for best cleaning and so that bleach can be removed in the rinse cycle. Pour bleach around the agitator, not directly onto the load to avoid damaging clothing or other items in the load.
4. (OPTIONAL) Add liquid fabric softener.

NOTE: Do not spill or drip any fabric softener onto the clothes. Undiluted fabric softener can stain fabrics. Always dilute fabric softener with warm water. Using too much fabric softener can make some items (diapers and towels) nonabsorbent. If this happens, do not use it in every load, or use less of it in each load.

Style 1: With liquid fabric softener dispenser (on some models)

- Use only liquid fabric softener in this dispenser. Pour measured liquid fabric softener into the dispenser. Softener is added automatically during the rinse portion of the cycle. Dilute liquid fabric softener by filling the dispenser with warm water until liquid reaches the underside of the rim. See max fill line arrows.



Style 2: Without liquid fabric softener dispenser (on some models)

- In the final rinse only, add fabric softener that has been diluted with $\frac{1}{2}$ to 1 cup (125 to 250 mL) warm water.
5. Close the washer lid. Washer will not agitate or spin with the lid open.
 6. Turn the LOAD SIZE or WATER LEVEL selector to the correct setting for your wash load and the type of fabric being washed.
 - You may change the load size or water level selection after the washer has started filling by turning the selector to a different setting.
 - On models with a variable Load Size or Water Level control, you should turn the knob to RESET, then to desired setting.
 7. Select a Wash Temperature based on the type of fabric and soil being washed. Use the warmest wash water safe for the fabric. Follow garment label instructions.

The Automatic Temperature Control (ATC) (on some models) electronically senses and maintains a uniform water temperature by regulating incoming hot and cold water.

 - Even in Cool wash, some warm water is let into the washer to maintain a minimum temperature.

Care Control Temps (on some models) uses Automatic Temperature Control (ATC) to electronically sense and maintain a uniform water temperature by regulating incoming hot and cold water. Care Control Temps provides higher wash temperatures for the more aggressive, heavy-duty cycles and slightly lower temperatures on cycles for delicate and hand wash items, to provide better fabric care.

Temperature Guide

Wash Temp	Suggested Fabrics
Hot	Whites and pastels
Care Control	Durable garments Heavy soils
Warm	Bright colors
Care Control	Moderate to light soils
Cool	Colors that bleed or fade Light soils
Cold	Dark colors that bleed or fade Light soils

NOTE: In wash water temperatures colder than 60°F (15.6°C), detergents do not dissolve well. Soils can be difficult to remove. Some fabrics can retain wear wrinkles and have increased pilling (the formation of small lint-like balls on the surface of garments).

8. You can customize your wash by adding rinse Options to your cycle selections. This knob has settings for:
 - Extra Rinse - Selecting this option provides a second rinse. An Extra Rinse can be added to any wash cycle.
 - Cycle Signal - A tone will sound at the end of the cycle. The sound level cannot be adjusted.
 - Extra Rinse & Cycle Signal - This option combines both a Extra Rinse and a Cycle Signal at the end of the wash cycle.
9. Fabric Select (on some models). Each fabric setting is designed for different types of fabric and soil levels.

This is an integrated set of controls which work together to provide optimal wash temperatures, agitation times, and agitation/spin speeds based on the Fabric Select setting. The controls provide higher wash temperatures for more aggressive, heavy-duty cycles and slightly lower temperatures on cycles for delicate and hand wash items, to provide better fabric care. The timer knob allows you to decrease agitation time for light soils and increase agitation time for heavy soils.
10. Push in the Timer knob and turn it clockwise to the wash cycle you want. Reduce the wash time when using a small water level setting. Pull out the Timer knob to start the washer.



To stop or restart your washer:

- To stop the washer at any time, push in the Timer knob.
- To restart the washer, close the lid (if open) and pull out the Timer knob.

WASHER CARE

Cleaning Your Washer

Use a soft, damp cloth or sponge to wipe up any spills such as detergent or bleach from the outside of your washer.

Clean your washer interior by mixing 1 cup (250 mL) of chlorine bleach and 2 cups (500 mL) of detergent. Pour this mixture into your washer and run it through a complete cycle using hot water. Repeat this process if necessary.

Remove any hard water deposits using only cleaners labeled as washer safe.

Cleaning the liquid fabric softener dispenser (on some models):

1. Remove dispenser by grasping top with both hands and squeezing, while pushing upward with thumbs.
2. Rinse dispenser under warm water, then replace it.

NOTE: Some models are equipped with a liquid fabric softener dispenser. To avoid damage to the washer or clothing, do not wash clothes with the liquid fabric softener dispenser removed or add detergent or bleach to this dispenser; it is for liquid fabric softener only.

Water Inlet Hoses

This washer does not include inlet washer hoses. Whirlpool Corporation recommends use of factory specified parts. A list of factory specified hoses available for separate purchase are listed on the first page of this user instructions. These hoses are manufactured and tested to meet Whirlpool Corporation's specifications.

Replace inlet hoses after 5 years of use to reduce the risk of hose failure. Periodically inspect and replace inlet hoses if bulges, kinks, cuts, wear, or leaks are found.

When replacing your inlet hoses, mark the date of replacement on the label with a permanent marker.

Moving and Storage

Because some water may stay in the hoses, freezing can damage your washer. If storing or moving your washer during freezing weather, winterize it.

Winterizing your washer

1. Shut off both water faucets. Disconnect and drain water inlet hoses. Pour 1 qt (1 L) of R.V.-type antifreeze into the basket.
2. Run washer on a drain and spin setting for about 30 seconds to mix the antifreeze and remaining water.
3. Unplug washer or disconnect power.

To use washer again

1. Flush water pipes and hoses. Reconnect water inlet hoses. Turn on both water faucets.

⚠ WARNING



Electrical Shock Hazard

Plug into a grounded 3 prong outlet.

Do not remove ground prong.

Do not use an adapter.

Do not use an extension cord.

Failure to follow these instructions can result in death, fire, or electrical shock.

2. Plug in washer or reconnect power.
3. Run the washer through a complete cycle with 1 cup (250 mL) of detergent to clean out antifreeze.

Storage, non-use, or vacation care

Operate your washer only when you are at home. If you will be on vacation or not using your washer for an extended period of time, you should:

1. Unplug washer or disconnect power.
2. Turn off the water supply to the washer. This helps avoid flooding (due to a water pressure surge) while you are away.

TROUBLESHOOTING

First try the solutions suggested here or visit our website and reference FAQs (Frequently Asked Questions) to possibly avoid the cost of a service call.

In U.S.A. www.amana.com/help In Canada www.amanacanada.ca

Washer and Components

Noisy

- **Is the load balanced and the washer level?** The wash load should be balanced and not overloaded. The washer must be level. The front feet should be properly installed and the nuts tightened. Reset the rear leveling legs (if needed). See the Installation Instructions.
- **Did you completely remove the yellow shipping strap with shipping pins?** See the Installation Instructions.
- **Are the gears engaging after the drain and before spin, or is the upper part of agitator clicking during wash?** These are normal washer noises.

Leaking

- **Check the following:**
 - Are the fill hoses tight?
 - Are the fill hose washers properly seated?
 - Is the drain hose clamp properly installed? See the Installation Instructions.
- **Is the sink or drain clogged?** Sink and standpipe must be able to handle 17 gal. (64 L) of water per minute.
- **Is water deflecting off the tub ring or the load?** Center the tub before starting the washer. The wash load should be balanced and not overloaded. The fill or spray rinses can deflect off the load. The washer must be level. The front feet should be properly installed and the nuts tightened. Reset the rear leveling legs (if needed). See the Installation Instructions.
- **Check household plumbing for leaks.**

Basket crooked

- **Was the washer basket pulled forward during loading?** Push the basket to the center before starting wash.
- **Is the load balanced and the washer level?** The wash load should be balanced and not overloaded. The washer must be level. The front feet should be properly installed and the nuts tightened. Reset the rear leveling legs (if needed). See the Installation Instructions.
- **The washer basket moves while washing.** This is normal.

Agitator operation

- **The top of the agitator is loose, or moves in only one direction.** This is normal.

Dispensers clogged or bleach leaking

- **Did you follow the manufacturer's directions when adding detergent and fabric softener to the dispensers (on some models)?** Measure detergent and fabric softener. Slowly pour into the dispensers. Wipe up all spills. Dilute fabric softener in the fabric softener dispenser.
- **Did you put powdered or color-safe bleach into the liquid chlorine bleach dispenser (on some models)?** Add powdered or liquid color-safe bleach directly to the basket. Do not use the chlorine bleach dispenser for color-safe bleach.

Washer Operation

Washer won't run, fill, rinse or agitate; washer stops

⚠ WARNING



Electrical Shock Hazard

- Plug into a grounded 3 prong outlet.**
- Do not remove ground prong.**
- Do not use an adapter.**
- Do not use an extension cord.**
- Failure to follow these instructions can result in death, fire, or electrical shock.**

- **Is the power cord plugged into a grounded 3 prong outlet?** Plug power cord into a grounded 3 prong outlet.
- **Are you using an extension cord?** Do not use an extension cord.
- **Is the indicator on the Timer knob properly lined up with a cycle?** Turn the Timer knob to the right slightly and pull to start.
- **Are the water inlet valve screens clogged?** Turn off the water and remove inlet hoses from the washer. Remove any accumulated film or particles. Reinstall hoses, turn on water and check for leaks.
- **Are both the hot and cold water faucets turned on?** Turn on the water.
- **Is the water inlet hose kinked?** Straighten the hoses.
- **Does the water level seem too low, or does the washer appear to not fill completely?** The top of the agitator is much higher than the highest water level. This is normal and necessary for clothes to move freely.

- **Has a household fuse blown, or has a circuit breaker tripped?** Replace the fuse or reset the circuit breaker. If the problem continues, call an electrician.
- **Is the washer in a normal pause in the cycle?** The washer pauses for about 2 minutes during certain cycles. Allow the cycle to continue. Some cycles feature periods of agitation and soak.
- **Is the washer overloaded?** Wash smaller loads.
- **Is the lid open?** The lid must be closed during operation. Washer will not agitate or spin with the lid open.

Washer won't drain or spin

- **Is the drain hose clogged, or the end of the drain hose more than 96" (244 cm) above the floor?** See the Installation Instructions for proper installation of drain hose.
- **Is the lid open?** The lid must be closed during operation. Washer will not agitate or spin with the lid open.
- **Is there excessive sudsing?** Always measure detergent. Follow manufacturer's directions. If you have very soft water, you might need to use less detergent.

Washer continues to fill or drain; cycle seems stuck

- **Is the top of drain hose lower than the water level in washer?** The top of the hose must be higher than the water level in the washer for proper operation. See the Installation Instructions.
- **Does the drain hose fit too tightly in the standpipe, or is it taped to the standpipe?** The drain hose should be loose yet fit securely. Do not seal the drain hose with tape. The hose needs an air gap. See the Installation Instructions.

Wash/Rinse temperature not what I selected

- **Are the hot and cold water inlet hoses reversed?** See the Installation Instructions for more information. As your frequency of loads washed increases, the water temperature may decrease for hot and warm temperatures. This is normal.

Washer Results

Load too wet

- **Did you use the right cycle for the load being washed?** Select a cycle with a higher spin speed (if available).
- **Did you use a cold rinse?** Cold rinses leave loads wetter than warm rinses. This is normal.

Residue or lint on load

- **Did you sort properly?** Sort lint givers (towels, chenille) from lint takers (corduroy, synthetics). Also sort by color.
- **Did you overload the washer?** The wash load must be balanced and not overloaded. Clothes should move freely. Lint can be trapped in the load if overloaded. Wash smaller loads.
- **Did you select the correct water level?** The water level should be correct for the load size. Clothes should move freely in the water.
- **Did you use enough detergent?** Follow manufacturer's directions. Use enough detergent to hold the lint in the water.

- **Did you line dry your clothing?** If so, you can expect some lint on the clothing.

- **Check the following:**

Was paper or tissue left in the pockets?

Is your water colder than 60°F (15.6°C)? Wash water colder than 60°F (15.6°C) may not completely dissolve the detergent.

Did you use the proper cycle time for the load? Reducing wash time (duration) is another way to reduce lint.

Stains on load

- **Did you follow the manufacturer's directions when adding detergent and fabric softener?** Measure detergent and fabric softener. Use enough detergent to remove soil and hold it in suspension. Dilute fabric softener and add to the rinse portion of a cycle only. Do not drip fabric softener on clothes.
- **Is there above average iron (rust) in water?** You may need to install an iron filter.
- **Did you properly sort the load?** Sort dark clothes from whites and lights.
- **Did you unload the washer promptly?** To avoid the transfer of dye, unload the washer as soon as it stops.

Load is wrinkled

- **Did you unload the washer promptly?** Unload the washer as soon as it stops.
- **Did you use the right cycle for the load being washed?** Use the cycle for Casual or Permanent Press clothes or another cycle with low spin speeds (if available) to reduce wrinkling.
- **Did you overload the washer?** The wash load must be balanced and not overloaded. Loads should move freely during washing.

To reduce wrinkling of permanent press clothes and some synthetic knits, use a large load size to provide more space.
- **Are the hot and cold water hoses reversed?** Check that the hot and cold water hoses are connected to the right faucets. See the Installation Instructions.

Load is tangled or twisted

- **Did you overload the washer?** The wash load must be balanced and not overloaded. Loads should move freely during washing.
- **Did you wrap items around the agitator?** Drop items loosely into the washer. Do not wrap items around the agitator.

Gray whites, dingy colors

- **Did you properly sort the load?** Transfer of dye can occur when mixing whites and colors in a load. Sort dark clothes from whites and lights.
- **Was the wash temperature too low?** Use hot or warm washes if safe for the load. Make sure your hot water system is adequate to provide a hot water wash.
- **Did you use enough detergent, or do you have hard water?** Use more detergent for washing heavy soils in cold or hard water.
- **Are the hot and cold water hoses reversed?** Check that the hot and cold water hoses are connected to the right faucets. See the Installation Instructions.

Garments damaged

- **Check the following:**
 - Were sharp items removed from pockets before washing? Empty pockets, zip zippers, snap or hook fasteners before washing.
 - Were strings and sashes tied to avoid tangling?
 - Were items damaged before washing? Mend rips and broken threads in seams before washing.
- **Did you overload the washer?** The wash load must be balanced and not overloaded. Loads should move freely during washing.
- **Did you add chlorine bleach properly?** Do not pour chlorine bleach directly onto load. Wipe up bleach spills. Undiluted bleach will damage fabrics. Do not place load items on top of the bleach dispenser when loading and unloading the washer (on some models).
- **Did you follow the manufacturer's care label instructions?**

AMANA® LAUNDRY WARRANTY

LIMITED WARRANTY

For one year from the date of purchase, when this major appliance is operated and maintained according to instructions attached to or furnished with the product, Amana brand of Whirlpool Corporation or Whirlpool Canada LP (hereafter "Amana") will pay for factory specified parts and repair labor to correct defects in materials or workmanship that existed when this major appliance was purchased. Service must be provided by a Amana designated service company. YOUR SOLE AND EXCLUSIVE REMEDY UNDER THIS LIMITED WARRANTY SHALL BE PRODUCT REPAIR AS PROVIDED HEREIN. This limited warranty is valid only in the United States or Canada and applies only when the major appliance is used in the country in which it was purchased. Proof of original purchase date is required to obtain service under this limited warranty.

ITEMS EXCLUDED FROM WARRANTY

This limited warranty does not cover:

1. Replacement parts or repair labor if this major appliance is used for other than normal, single-family household use or when it is used in a manner that is inconsistent to published user or operator instructions and/or installation instructions.
 2. Service calls to correct the installation of your major appliance, to instruct you on how to use your major appliance, to replace or repair house fuses, or to correct house wiring or plumbing.
 3. Service calls to repair or replace appliance light bulbs, air filters or water filters. Consumable parts are excluded from warranty coverage.
 4. Damage resulting from accident, alteration, misuse, abuse, fire, flood, acts of God, improper installation, installation not in accordance with electrical or plumbing codes, or use of products not approved by Amana.
 5. Cosmetic damage, including scratches, dents, chips or other damage to the finish of your major appliance, unless such damage results from defects in materials or workmanship and is reported to Amana within 30 days from the date of purchase.
 6. Pick up and delivery. This major appliance is intended to be repaired in your home.
 7. Repairs to parts or systems resulting from unauthorized modifications made to the appliance.
 8. Expenses for travel and transportation for product service if your major appliance is located in a remote area where service by an authorized Amana servicer is not available.
 9. The removal and reinstallation of your major appliance if it is installed in an inaccessible location or is not installed in accordance with Amana's published installation instructions.
 10. Replacement parts or repair labor on major appliances with original model/serial numbers that have been removed, altered, or cannot be easily determined.
-

DISCLAIMER OF IMPLIED WARRANTIES

IMPLIED WARRANTIES, INCLUDING ANY IMPLIED WARRANTY OF MERCHANTABILITY OR IMPLIED WARRANTY OF FITNESS FOR A PARTICULAR PURPOSE, ARE LIMITED TO ONE YEAR OR THE SHORTEST PERIOD ALLOWED BY LAW. Some states and provinces do not allow limitations on the duration of implied warranties of merchantability or fitness, so this limitation may not apply to you. This warranty gives you specific legal rights, and you also may have other rights that vary from state to state or province to province.

LIMITATION OF REMEDIES; EXCLUSION OF INCIDENTAL AND CONSEQUENTIAL DAMAGES

YOUR SOLE AND EXCLUSIVE REMEDY UNDER THIS LIMITED WARRANTY SHALL BE PRODUCT REPAIR AS PROVIDED HEREIN. AMANA SHALL NOT BE LIABLE FOR INCIDENTAL OR CONSEQUENTIAL DAMAGES. Some states and provinces do not allow the exclusion or limitation of incidental or consequential damages, so these limitations and exclusions may not apply to you. This warranty gives you specific legal rights, and you also may have other rights that vary from state to state or province to province.

If outside the 50 United States and Canada, contact your authorized Amana dealer to determine if another warranty applies.

If you think you need repair service, first see the "Troubleshooting" section of the Use & Care Guide. If you are unable to resolve the problem after checking "Troubleshooting," additional help can be found by checking the "Assistance or Service" section or by calling Amana. In the U.S.A., call **1-800-688-9900**. In Canada, call **1-800-807-6777**.

7/08

INSTRUCTIONS D'UTILISATION DE LA LAVEUSE

Assistance ou service

Si vous avez besoin d'assistance ou de service, consultez d'abord la section "Dépannage". On peut obtenir de l'aide supplémentaire en téléphonant au Centre d'assistance à la clientèle de Maytag Services, LLC à **1-800-688-9900** de n'importe où aux É.-U., ou consultez le site Internet www.amana.com/help où ou en écrivant à :

Maytag Services, LLC
Attn: CAIR® Center
P.O. Box 2370
Cleveland, TN 37320-2370

Au Canada, pour assistance, installation et service, composez le **1-800-807-6777**, ou consultez le site Internet www.amanacanada.ca ou écrire à :

Whirlpool Canada LP
Customer Interaction Centre
1901 Minnesota Court
Mississauga, Ontario L5N 3A7

Dans votre correspondance, veuillez indiquer un numéro de téléphone où l'on peut vous joindre dans la journée.

Conservez ce manuel et votre reçu de vente ensemble pour référence ultérieure. Pour le service sous garantie, vous devez présenter un document prouvant la date d'achat ou d'installation.

Inscrivez les renseignements suivants au sujet de votre appareil ménager pour vous aider à obtenir assistance ou service en cas de besoin. Vous devrez connaître le numéro de modèle et le numéro de série au complet. Vous pouvez trouver cette information sur la plaque signalétique située sous le couvercle de la laveuse.

Nom du marchand _____

Numéro de série _____

Adresse _____

Numéro de téléphone _____

Numéro de modèle _____

Date d'achat _____

Accessoires

Vous pouvez faciliter l'utilisation de votre laveuse avec ces accessoires de première qualité.

Pour la commande de divers articles de qualité, composez le **1-800-901-2042** ou consultez le site www.amana.com/accessories. Au Canada, composez le **1-800-807-6777** ou consultez le site Internet www.amanacanada.ca.

Produit numéro	Accessoire	Produit numéro	Accessoire
8212656RP	EPDM noir de 10 pi (3 m) (Lot de 2)	8212641RP	EPDM noir de 5 pi (1,5 m) (Lot de 2)
8212638RP	Tuyau d'arrivée d'eau compact de 6 pi (1,8 m) en nylon tressé, coude à 90° et raccords en acier hypro-blue. (Lot de 2)	8212546RP	EPDM noir de 4 pi (1,2 m) (Lot de 2)
8212487RP	Tuyau d'arrivée d'eau de 5 pi (1,5 m) en nylon tressé. (Lot de 2)	8212526	Plateau d'égouttement de la laveuse, convient à tous les modèles.
8212637RP	EPDM noir de 6 pi (1,8 m) coude compact de 90°, raccord acier hypro-blue. (Lot de 2)	31682	Produit de nettoyage polyvalent pour appareils ménagers
8212545RP	EPDM rouge et bleu de 5 pi (1,5 m). (Lot de 2)	1903WH	Casier de rangement de fournitures de buanderie

Les tuyaux d'arrivée d'eau ne sont pas inclus avec cette laveuse.

SÉCURITÉ DE LA LAVEUSE

Votre sécurité et celle des autres est très importante.

Nous donnons de nombreux messages de sécurité importants dans ce manuel et sur votre appareil ménager. Assurez-vous de toujours lire tous les messages de sécurité et de vous y conformer.



Voici le symbole d'alerte de sécurité.

Ce symbole d'alerte de sécurité vous signale les dangers potentiels de décès et de blessures graves à vous et à d'autres.

Tous les messages de sécurité suivront le symbole d'alerte de sécurité et le mot "DANGER" ou "AVERTISSEMENT". Ces mots signifient :

⚠ DANGER

Risque possible de décès ou de blessure grave si vous ne suivez pas immédiatement les instructions.

⚠ AVERTISSEMENT

Risque possible de décès ou de blessure grave si vous ne suivez pas les instructions.

Tous les messages de sécurité vous diront quel est le danger potentiel et vous disent comment réduire le risque de blessure et ce qui peut se produire en cas de non-respect des instructions.

IMPORTANTES INSTRUCTIONS DE SÉCURITÉ

AVERTISSEMENT : Pour réduire les risques d'incendie, de choc électrique ou de blessures lors de l'utilisation de la laveuse, suivre les précautions fondamentales dont les suivantes :

- Lire toutes les instructions avant d'utiliser la laveuse.
- Ne pas laver des articles qui ont été nettoyés ou lavés avec de l'essence ou imbibés d'essence, solvants de nettoyage à sec, ou autres substances inflammables ou explosives; ces substances peuvent émettre des vapeurs susceptibles de s'enflammer ou d'exploser.
- Ne pas ajouter d'essence, solvant de nettoyage à sec ou autre produit inflammable ou explosif dans l'eau de lavage. Ces substances peuvent émettre des vapeurs susceptibles de s'enflammer ou d'exploser.
- Dans certaines conditions, de l'hydrogène gazeux peut se former dans un circuit d'eau chaude qui n'a pas été utilisé pendant 2 semaines ou plus. LE GAZ HYDROGÈNE EST EXPLOSIBLE. Si le circuit d'eau chaude n'a pas été utilisé pendant une telle période, avant d'utiliser la laveuse, ouvrir tous les robinets d'eau chaude et laisser l'eau s'écouler pendant plusieurs minutes par chaque robinet. Ceci permettra l'évacuation de l'hydrogène gazeux accumulé. Comme ce gaz est inflammable, ne pas fumer ou utiliser une flamme nue au cours de cette période.
- Ne pas laisser des enfants jouer sur ou à l'intérieur de la laveuse. Bien surveiller les enfants lorsque la laveuse est utilisée à proximité d'enfants.
- Avant de mettre la laveuse au rebut ou hors de service, enlever la porte ou le couvercle.
- Ne pas tenter d'atteindre un article à l'intérieur de la cuve de la laveuse lorsque le tambour, la cuve ou l'agitateur est en mouvement.
- Ne pas installer ou remiser cette laveuse à un endroit où elle serait exposée aux intempéries.
- Ne pas modifier les organes de commande.
- Ne pas réparer ou remplacer un composant quelconque de la laveuse, ni entreprendre une opération de service, si ce n'est spécifiquement recommandé dans ce manuel ou dans un manuel d'instructions de réparations destiné à l'utilisateur; il est alors essentiel que la personne concernée comprenne ces instructions et soit compétente pour les exécuter.
- Voir "Spécifications électriques" pour les instructions de liaison à la terre.

CONSERVEZ CES INSTRUCTIONS

UTILISATION DE LA LAVEUSE

Mise en marche de la laveuse

⚠ AVERTISSEMENT



Risque d'incendie

Ne jamais mettre des articles humectés d'essence ou d'autres fluides inflammables dans la laveuse.

Aucune laveuse ne peut complètement enlever l'huile.

Ne pas faire sécher des articles qui ont été salis par tout genre d'huile (y compris les huiles de cuisson).

Le non-respect de ces instructions peut causer un décès, une explosion ou un incendie.

⚠ WARNING



Electrical Shock Hazard

Plug into a grounded 3 prong outlet.

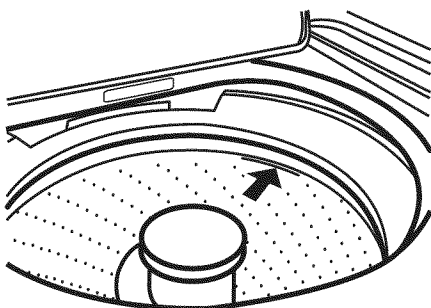
Do not remove ground prong.

Do not use an adapter.

Do not use an extension cord.

Failure to follow these instructions can result in death, fire, or electrical shock.

1. Mesurer la quantité de détergent et le verser dans la laveuse. Si désiré, ajouter un agent de blanchiment en poudre ou liquide sans danger pour les couleurs.
2. Placer une charge de linge trié sans la tasser dans la laveuse.
 - Répartir la charge uniformément pour maintenir l'équilibre de la laveuse. Mélanger les gros et les petits articles. Les articles doivent pouvoir se déplacer facilement dans l'eau de lavage.
 - Charger uniquement jusqu'en haut du panier - voir l'illustration. Une surcharge peut causer un nettoyage médiocre.

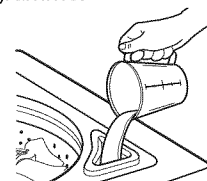


3. (FACULTATIF) Ajouter l'eau de Javel.

REMARQUE : Suivre les instructions du fabricant des vêtements et de l'eau de Javel pour une utilisation en toute sécurité. L'eau de Javel non diluée endommagera tout tissu avec lequel elle entre en contact. L'endommagement prend la forme de déchirures, trous ou affadissement de la couleur et il est possible qu'il n'apparaisse pas avant plusieurs autres lavages. Pour éviter les renversements, utiliser une tasse avec un bec verseur. Ne pas laisser l'eau de Javel éclabousser, se renverser ou couler dans le panier de la laveuse. Toujours mesurer l'eau de Javel. Ne pas utiliser une quantité approximative. Ne pas utiliser plus que la quantité recommandée par le fabricant pour une charge complète. Utiliser moins d'eau de Javel avec une plus petite charge.

Style 1 : Avec distributeur d'eau de Javel (sur certains modèles)

- Utiliser seulement de l'eau de Javel dans ce distributeur. Ne pas utiliser ce distributeur pour ajouter un agent de blanchiment en poudre ou sans danger pour les couleurs à votre charge de lavage. Verser la quantité mesurée d'eau de Javel dans le distributeur d'eau de Javel. L'eau de Javel est immédiatement introduite dans la laveuse et elle est diluée automatiquement durant l'opération de lavage du programme.



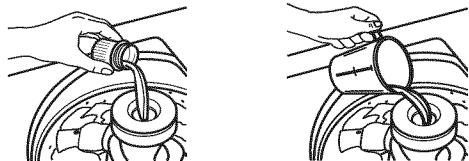
Style 2 : Sans distributeur d'eau de Javel (sur certains modèles)

- Laisser la laveuse se remplir et commencer l'agitation de la charge.
 - Ajouter l'eau de Javel 5 minutes après le démarrage du programme de lavage pour un meilleur nettoyage et pour qu'elle soit vidangée lors du programme de rinçage. Verser l'eau de Javel autour de l'agitateur, pas directement sur la charge.
4. (FACULTATIF) Ajouter l'assouplissant liquide pour tissu.

REMARQUE : Ne pas renverser ou dégoutter d'assouplissant de tissu sur les vêtements. Un assouplissant de tissu non dilué peut causer des taches sur les tissus. Toujours diluer l'assouplissant de tissu avec de l'eau tiède. Une trop grande quantité d'assouplissant de tissu peut rendre certains articles (couches et serviettes) non absorbants. Le cas échéant, ne pas l'utiliser à chaque charge ou en utiliser moins avec chaque charge.

Style 1 : Avec distributeur d'assouplissant liquide pour tissu (sur certains modèles)

- Utiliser seulement de l'assouplissant de tissu liquide dans ce distributeur. Verser une quantité mesurée d'assouplissant de tissu liquide dans le distributeur. L'assouplissant est ajouté automatiquement durant l'opération de rinçage du programme. Diluer l'assouplissant de tissu liquide en remplissant le distributeur d'eau tiède jusqu'à ce que le liquide atteigne le repère à l'intérieur de l'anneau. Voir les flèches du repère de remplissage maximum.



Style 2 : Sans distributeur d'assouplissant de tissu liquide (sur certains modèles)

- Ajouter l'assouplissant de tissu dilué avec 250 mL (1 tasse) d'eau tiède au rinçage final seulement.
5. Rabattre le couvercle de la laveuse. La laveuse n'effectuera pas d'agitation ni d'essorage avec le couvercle ouvert.
 6. Tourner le sélecteur LOAD SIZE (volume de la charge) ou WATER LEVEL (niveau d'eau) au bon réglage pour votre charge de lavage et le type de tissu à laver.
 - Vous pouvez changer votre sélection du volume de charge ou de niveau d'eau après que la laveuse a commencé à se remplir en tournant le bouton de sélection à un réglage différent.
 - Sur les modèles à commande variable du volume de la charge ou du niveau d'eau, vous devez tourner le bouton à RESET (réinitialisation), puis au réglage désiré.
 7. Sélectionner la température de lavage en fonction du type de tissu et de la saleté à laver. Utiliser l'eau de lavage la plus chaude sans danger pour le tissu. Suivre les instructions sur l'étiquette des vêtements.

La Commande automatique de la température (CAT) (sur certains modèles) détecte et maintient électroniquement une température uniforme de l'eau en régulant l'entrée d'eau chaude et d'eau froide.

- Même au lavage à l'eau froide, de l'eau tiède coule dans la laveuse afin de maintenir une température minimale.

L'option Care Control Temps (températures de la commande de soin) (sur certains modèles) utilise la Commande automatique de température (CAT) pour détecter et maintenir électroniquement une température uniforme de l'eau en régulant l'entrée d'eau chaude et d'eau froide. L'option Care Control Temps (températures de la commande de soin) fournit des températures de lavage supérieures pour les programmes de service intense plus vigoureux et des températures légèrement plus basses pour les programmes d'articles délicats et à laver à la main, pour apporter un meilleur soin au tissu.

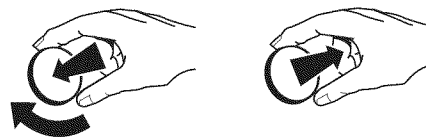
Guide de température

Température de lavage	Tissus suggérés
Hot (chaude) Commande de soin	Blancs et couleurs claires Vêtements durables Saleté intense
Warm (tiède) Commande de soin	Couleurs vives Saletés modérées à légères

Température de lavage	Tissus suggérés
Cool (fraîche)	Couleurs qui déteignent ou s'atténuent Saletés légères
Cold (froide)	Couleurs foncées qui déteignent ou s'atténuent Saletés légères

REMARQUE : Dans les températures d'eau de lavage inférieures à 60°F (15,6°C), les détergents ne se dissolvent pas bien. Les saletés peuvent être difficiles à enlever. Certains tissus peuvent retenir les faux plis et comporter un boulochage accru (formation de petites boules de charpie sur la surface des vêtements).

8. Vous pouvez personnaliser votre lavage en ajoutant des options de rinçage à vos sélections de programme. Ce bouton dispose de réglages pour :
 - Extra Rinse (rinçage supplémentaire) - La sélection de cette option fournit un second rinçage. Un rinçage supplémentaire peut être ajouté à tout programme de lavage.
 - Cycle Signal (signal de programme) - Un signal sonore sera émis à la fin du programme. Le volume du signal sonore ne peut être ajusté.
 - Extra Rinse & Cycle Signal (rinçage supplémentaire et signal de programme) - Cette option combine à la fois le rinçage supplémentaire et le signal de programme à la fin du programme de lavage.
9. Fabric Select (choix de tissu) (sur certains modèles). Chaque réglage de tissu est conçu pour différents types de tissu et niveaux de saleté.
Ce dispositif consiste en un ensemble de commandes intégrées qui se combinent pour fournir des températures de lavage, durées d'agitation, et vitesses d'agitation/d'essorage optimales, sur la base du réglage Fabric Select (sélection de tissu). Les commandes fournissent des températures de lavage supérieures pour les programmes de service intense plus agressifs et des températures légèrement plus basses pour les programmes d'articles délicats et à laver à la main, pour apporter un meilleur soin au tissu. Le bouton de commande de la minuterie vous permet de réduire la durée d'agitation pour les charges peu sales ou de l'augmenter pour les charges très sales.
10. Appuyer sur le bouton de commande de la minuterie et le tourner dans le sens horaire au programme de lavage désiré. Réduire le temps de lavage lors de l'utilisation d'un réglage de niveau d'eau bas. Tirer sur le bouton de commande de la minuterie pour mettre la laveuse en marche.



Arrêt ou remise en marche de la laveuse :

- Pour arrêter la laveuse à tout moment, appuyer sur le bouton de commande de la minuterie.
- Pour remettre la laveuse en marche, rabattre le couvercle (si ouvert) et tirer sur le bouton de commande de la minuterie.

ENTRETIEN DE LA LAVEUSE

Nettoyage de votre laveuse

Utiliser un linge doux humide ou une éponge pour essuyer les renversements de détergents ou d'eau de Javel à l'extérieur de votre laveuse.

Nettoyer l'intérieur de votre laveuse en mélangeant 1 tasse (250 mL) d'eau de Javel et 2 tasses (500 mL) de détergent. Verser ceci dans votre laveuse et lui faire faire un programme complet à l'eau chaude. Répéter ce processus au besoin.

Enlever tous les résidus de calcaire en utilisant seulement des nettoyeurs sans danger pour la laveuse.

Nettoyage du distributeur d'assouplissant de tissu liquide (sur certains modèles) :

1. Retirer le distributeur en prenant le dessus à deux mains et en le pressant, tout en poussant vers le haut avec les pouces.
2. Rincer le distributeur sous l'eau tiède, puis le remettre en place.

REMARQUE : Si votre modèle dispose d'un distributeur d'assouplissant liquide pour tissu, ne pas laver de vêtements lorsque ce distributeur est retiré, afin d'éviter d'endommager la laveuse ou le linge. Ne pas non plus ajouter de détergent ou d'eau de Javel dans ce distributeur; il est destiné à l'assouplissant liquide pour tissu seulement.

Tuyaux d'arrivée d'eau

Aucun tuyau d'arrivée d'eau n'est fourni avec cette laveuse. Whirlpool recommande l'utilisation de pièces spécifiées par l'usine. Une liste des tuyaux FSP disponibles à l'achat est présentée à la première page de ces instructions pour l'utilisateur. Ces tuyaux FSP sont fabriqués et testés afin de répondre aux spécifications de Whirlpool Corporation.

Remplacer les tuyaux d'arrivée d'eau après 5 ans d'utilisation afin de réduire le risque de défaillance des tuyaux. Inspecter périodiquement les tuyaux; les remplacer en cas de renflement, de déformation, de coupure et d'usure ou si une fuite se manifeste.

Lorsque vous remplacez vos tuyaux d'arrivée d'eau, noter la date de remplacement au marqueur indélébile sur l'étiquette.

Préparation avant un entreposage ou un déménagement

L'eau qui peut rester dans les tuyaux risque d'abîmer votre laveuse en temps de gel. Si vous rangez ou déplacez votre laveuse quand il gèle, préparez-la pour l'hiver.

Préparation de votre laveuse pour l'hiver

1. Fermer les deux robinets d'eau. Débrancher et vidanger les tuyaux d'arrivée d'eau. Mettre 1 pinte (1 L) d'antigel pour véhicule récréatif dans le panier.
2. Faire tourner la laveuse au réglage vidange et essorage pendant 30 secondes environ pour mélanger l'antigel à l'eau.
3. Débrancher la laveuse ou déconnecter la source de courant électrique.

Remise en marche de la laveuse

1. Vidanger les canalisations d'eau et les tuyaux. Reconnecter les tuyaux d'arrivée d'eau. Ouvrir les deux robinets d'eau.

⚠ AVERTISSEMENT



Risque de choc électrique

Brancher sur une prise à 3 alvéoles reliée à la terre.

Ne pas enlever la broche de liaison à la terre.

Ne pas utiliser un adaptateur.

Ne pas utiliser un câble de rallonge.

Le non-respect de ces instructions peut causer un décès, un incendie ou un choc électrique.

2. Brancher la laveuse ou reconnecter la source de courant électrique.
3. Faire faire un programme complet à la laveuse avec 1 tasse (250 mL) de détergent pour enlever les restes d'antigel.

Entretien en cas d'entreposage, de non-utilisation ou en période de vacances

On ne doit faire fonctionner la laveuse que lorsqu'on est présent. Si l'utilisateur doit partir en vacances ou n'utilise pas la laveuse pendant une période prolongée, il convient d'exécuter les opérations suivantes :

1. Débrancher la laveuse ou déconnecter la source de courant électrique.
2. Fermer l'alimentation d'eau de la laveuse. Ceci aide à éviter les inondations (dus à une augmentation de la pression) quand vous êtes absent.

DÉPANNAGE

Essayer d'abord les solutions suggérées ici ou visiter notre site Web et consulter notre FAQ (Foire aux questions), pour éventuellement éviter le coût d'un appel de service...

Aux É.-U. www.amana.com/help - Au Canada www.amanacanada.ca

La laveuse et ses composants

Bruit

- **La charge est-elle équilibrée et la laveuse d'aplomb?** La charge de lavage devrait être équilibrée et pas surchargée. La laveuse doit être d'aplomb. Les pieds avant devraient être correctement installés et les écrous serrés. Régler les pieds de nivellement arrière (au besoin). Voir les instructions d'installation.
- **Avez-vous retiré complètement la sangle jaune d'expédition avec les goupilles fendues?** Voir les instructions d'installation.
- **Les mécanismes s'enclenchent-ils après la vidange et avant l'essorage, ou la partie supérieure de l'agitateur fait-elle du bruit pendant le lavage?** Ce sont des bruits normaux pour la laveuse.

Fuites

- **Vérifier ce qui suit :**
 - Les tuyaux de remplissage sont-ils bien serrés?
 - Les rondelles de tuyaux de remplissage d'eau sont-elles correctement installées?
 - La bride de fixation du tuyau de vidange est-elle correctement installée? Voir les instructions d'installation.
- **L'évier ou le conduit d'évacuation est-il obstrué?** L'évier et le tuyau de rejet à l'égout doivent pouvoir drainer 17 gal. (64 L) d'eau par minute.
- **De l'eau est-elle déviée de l'anneau de la cuve ou de la charge?** Centrer la cuve avant de mettre la laveuse en marche. La charge de lavage devrait être équilibrée et pas surchargée. De l'eau de rinçage ou de remplissage peut dévier de la charge. La laveuse doit être d'aplomb. Les pieds avant devraient être correctement installés et les écrous serrés. Régler les pieds de nivellement arrière (au besoin). Voir les instructions d'installation.
- **Vérifier la plomberie du domicile pour voir s'il y a des fuites.**

Panier décentré

- **Le panier de la laveuse a-t-il été tiré en avant lors du chargement?** Pousser le panier au centre avant de commencer le lavage.
- **La charge est-elle équilibrée et la laveuse d'aplomb?** La charge de lavage devrait être équilibrée et pas surchargée. La laveuse doit être d'aplomb. Les pieds avant devraient être correctement installés et les écrous serrés. Régler les pieds de nivellement arrière (au besoin). Voir les instructions d'installation.
- **Le panier de la laveuse se déplace pendant le lavage.** Ceci est normal.

Fonctionnement de l'agitateur

- **Le sommet de l'agitateur est lâche, ou se déplace dans une seule direction.** Ceci est normal.

Distributeurs obstrués ou fuite d'eau de Javel

- **Avez-vous suivi les directives du fabricant pour l'addition de détergent et d'assouplissant dans les distributeurs (sur certains modèles)?** Mesurer le détergent et l'assouplissant. Verser lentement dans les distributeurs. Essuyer tout renversement. Diluer l'assouplissant dans le distributeur d'assouplissant.
- **Avez-vous mis de la Javel en poudre ou sans danger pour les couleurs dans le distributeur d'agent de blanchiment au chlore liquide (sur certains modèles)?** Ajouter de la Javel en poudre ou liquide sans danger pour les couleurs directement dans le panier. Ne pas utiliser le distributeur d'agent de blanchiment au chlore pour la Javel sans danger pour les couleurs.

Fonctionnement de la laveuse

La laveuse ne fonctionne pas, ne se remplit pas, ne rince pas, l'agitateur ne tourne pas; la laveuse s'arrête

⚠ AVERTISSEMENT



Risque de choc électrique

- Brancher sur une prise à 3 alvéoles reliée à la terre.**
- Ne pas enlever la broche de liaison à la terre.**
- Ne pas utiliser un adaptateur.**
- Ne pas utiliser un câble de rallonge.**
- Le non-respect de ces instructions peut causer un décès, un incendie ou un choc électrique.**

- **Le cordon d'alimentation est-il branché dans une prise à 3 alvéoles reliée à la terre?** Brancher le cordon d'alimentation dans une prise à 3 alvéoles reliée à la terre.
- **Utilisez-vous un câble de rallonge?** Ne pas utiliser un câble de rallonge.
- **L'indicateur sur le bouton de commande de la minuterie est-il correctement aligné avec un programme?** Tourner le bouton de commande de la minuterie légèrement vers la droite et le tirer pour mettre en marche.

- **Les tamis de la valve d'arrivée d'eau sont-ils obstrués?** Couper l'arrivée d'eau et retirer les tuyaux d'arrivée d'eau de la laveuse. Ôter toute pellicule ou particule accumulée. Réinstaller les tuyaux, ouvrir l'arrivée d'eau et vérifier s'il y a des fuites.
- **Les deux robinets d'eau (chaude et froide) sont-ils ouverts?** Ouvrir les robinets d'eau.
- **Le tuyau d'arrivée d'eau est-il déformé?** Redresser les tuyaux.
- **Le niveau d'eau semble-t-il trop bas, ou la laveuse ne se remplit-elle pas complètement?** Le sommet de l'agitateur est beaucoup plus haut que le niveau d'eau le plus élevé. Ceci est normal et nécessaire au libre mouvement des vêtements.
- **Un fusible est-il grillé ou le disjoncteur s'est-il déclenché?** Remplacer le fusible ou réenclencher le disjoncteur. Si le problème persiste, appeler un électricien.
- **La laveuse est-elle en pause normale du programme?** La laveuse fait une pause d'environ 2 minutes durant certains programmes. Laisser le programme se poursuivre. Certains programmes comprennent des périodes d'agitation et de trempage.
- **La laveuse est-elle surchargée?** Laver des charges plus petites.
- **Le couvercle est-il ouvert?** Le couvercle doit être fermé lorsque la laveuse est en marche. La laveuse n'effectuera pas d'agitation ni d'essorage avec le couvercle ouvert.

Absence de vidange ou d'essorage de la laveuse

- **Le tuyau de vidange est-il obstrué, ou l'extrémité du tuyau de vidange se trouve-t-elle à plus de 96" (244 cm) au-dessus du plancher?** Voir les instructions d'installation pour une installation correcte du tuyau de vidange.
- **Le couvercle est-il ouvert?** Le couvercle doit être fermé lorsque la laveuse est en marche. La laveuse n'effectuera pas d'agitation ni d'essorage avec le couvercle ouvert.
- **Y a-t-il un excès de mousse?** Toujours mesurer le détergent. Suivre les directives du fabricant. Si vous avez de l'eau très douce, il faudra peut-être utiliser moins de détergent.

La laveuse continue de se remplir ou la vidange se poursuit, le programme semble bloqué

- **Le dessus du tuyau de vidange est-il plus bas que le niveau de l'eau dans la laveuse?** Le dessus du tuyau doit être plus haut que le niveau de l'eau dans la laveuse pour un bon fonctionnement. Voir les instructions d'installation.
- **Le tuyau de vidange est-il trop serré dans le tuyau de rejet à l'égout, ou est-il fixé au tuyau de rejet à l'égout avec du ruban adhésif?** Le tuyau de vidange devrait être lâche mais bien fixé. Ne pas sceller le tuyau de vidange avec du ruban adhésif. Le tuyau a besoin d'une ouverture pour l'air. Voir les instructions d'installation.

La température de lavage/rinçage n'est pas celle qui a été sélectionnée

- **Les robinets d'arrivée d'eau chaude et froide ont-ils été inversés?** Voir les instructions d'installation pour plus de renseignements. Lorsque votre fréquence de charges lavées augmente, la température de l'eau peut baisser lorsqu'on choisit une température chaude ou tiède. Ceci est normal.

Résultats de lavage

Charge trop mouillée

- **Avez-vous utilisé le bon programme pour la charge à laver?** Choisir un programme avec une vitesse d'essorage plus élevée (si disponible).
- **Avez-vous utilisé un rinçage à froid?** Les charges sont plus humides après un rinçage à froid qu'après un rinçage à chaud. Ceci est normal.

Résidus ou charpie sur le linge

- **Avez-vous effectué le tri correctement?** Séparer les articles causant la charpie (serviettes, chenille) des articles qui retiennent la charpie (velours côtelé, synthétiques). Trier également en fonction des couleurs.
- **Avez-vous surchargé la laveuse?** La charge de lavage doit être équilibrée et pas surchargée. Les charges doivent pouvoir culbuter librement. De la charpie peut être coincée dans la charge s'il y a surcharge. Laver des charges plus petites.
- **Avez-vous sélectionné le bon niveau d'eau?** Le niveau d'eau devrait être adapté à la taille de la charge. Les vêtements devraient pouvoir culbuter librement dans l'eau.
- **Avez-vous utilisé suffisamment de détergent?** Suivre les directives du fabricant. Utiliser suffisamment de détergent pour maintenir la charpie dans l'eau.
- **Avez-vous fait sécher vos vêtements sur une corde à linge?** Si c'est le cas, attendez-vous à trouver de la charpie sur les vêtements.
- **Vérifier ce qui suit :**
 - A-t-on laissé du papier ou des mouchoirs en papier dans les poches?
 - Votre eau est-elle plus froide que 60°F (15,6°C)? Une eau de lavage plus froide que 60°F (15,6°C) peut ne pas dissoudre complètement le détergent.
 - Avez-vous utilisé la bonne durée de programme pour la charge? La réduction de la durée de lavage est un autre moyen de réduire la charpie.

Présence de taches sur le linge

- **Avez-vous suivi les directives du fabricant pour l'addition de détergent et d'assouplissant?** Mesurer le détergent et l'assouplissant. Utiliser suffisamment de détergent pour enlever la saleté et la maintenir en suspension. Diluer l'assouplissant et l'ajouter à la section rinçage d'un programme seulement. Ne pas laisser couler d'assouplissant sur les vêtements.
- **La présence de fer (rouille) dans l'eau est-elle supérieure à la moyenne?** Vous aurez peut-être besoin d'installer un filtre à fer.
- **Avez-vous bien trié la charge?** Séparer les articles de teinte foncée des articles blancs ou clairs.
- **Avez-vous déchargé la laveuse immédiatement?** Pour éviter le transfert de teinture, décharger la laveuse dès qu'elle s'arrête.

Linge froissé

- **Avez-vous déchargé la laveuse immédiatement?**
Décharger la laveuse dès qu'elle s'arrête.
- **Avez-vous utilisé le bon programme pour la charge à laver?** Utiliser le programme Casual (tout-aller) ou Permanent Press (pressage permanent) ou un autre programme avec une vitesse d'essorage basse (si disponible) pour réduire le froissement.
- **Avez-vous surchargé la laveuse?** La charge de lavage doit être équilibrée et pas surchargée. Les charges doivent pouvoir culbuter librement durant le lavage.

Pour réduire les faux plis des vêtements à pressage permanent et de certains tricotés synthétiques, utiliser une taille de charge importante pour avoir plus d'espace.
- **Les robinets d'eau chaude et froide ont-ils été inversés?**
Vérifier que les tuyaux d'eau chaude et d'eau froide sont connectés aux bons robinets. Voir les instructions d'installation.

Le linge est enchevêtré ou entortillé

- **Avez-vous surchargé la laveuse?** La charge de lavage doit être équilibrée et pas surchargée. Les charges doivent pouvoir culbuter librement durant le lavage.
- **Avez-vous placé des articles autour de l'agitateur?**
Déposer les articles dans la laveuse sans les comprimer. Ne pas enrouler des articles autour de l'agitateur.

Blanc grisâtre, couleurs défraîchies

- **Avez-vous bien trié la charge?** Le transfert de teinture peut se produire lors du mélange d'articles blancs et de couleur dans une même charge. Séparer les articles de teinte foncée des articles blancs ou clairs.
- **La température de lavage était-elle trop basse?** Utiliser les lavages à l'eau tiède ou chaude, si sans danger pour la charge. S'assurer que votre système d'eau chaude permet d'effectuer un lavage à l'eau chaude.
- **Avez-vous utilisé suffisamment de détergent, ou avez-vous une eau dure?** Utiliser plus de détergent pour laver la saleté intense à l'eau froide ou dure.
- **Les robinets d'eau chaude et froide ont-ils été inversés?**
Vérifier que les tuyaux d'eau chaude et d'eau froide sont connectés aux bons robinets. Voir les instructions d'installation.

Endommagement des vêtements

- **Vérifier ce qui suit :**

Les articles pointus ont-ils été retirés des poches avant le lavage? Vider les poches, fermer les fermetures à glissière, les boutons pression et les agrafes avant le lavage.

Les cordons et les ceintures ont-ils été attachés pour empêcher l'emmêlement?

Les articles étaient-ils endommagés avant le lavage? Raccorder les déchirures et repriser les fils cassés des coutures avant le lavage.
- **Avez-vous surchargé la laveuse?** La charge de lavage doit être équilibrée et pas surchargée. Les charges doivent pouvoir culbuter librement durant le lavage.
- **Avez-vous correctement ajouté l'eau de Javel?** Ne pas verser l'eau de Javel directement sur le linge. Essuyer tous les renversements de Javel. De l'eau de Javel non diluée endommagera les tissus. Ne pas placer des articles de la charge sur le dessus du distributeur d'eau de Javel lorsque vous chargez et déchargez la laveuse (sur certains modèles).
- **Avez-vous suivi les instructions d'entretien du fabricant indiquées sur l'étiquette?**

Notes

GARANTIE DES APPAREILS DE BUANDERIE AMANA®

GARANTIE LIMITÉE

Pendant un an à compter de la date d'achat, lorsque ce gros appareil ménager est utilisé et entretenu conformément aux instructions jointes à ou fournies avec le produit, Amana, une marque de Whirlpool Corporation ou Whirlpool Canada LP (ci-après désignées "Amana") paiera pour les pièces spécifiées par l'usine et la main-d'œuvre pour corriger les vices de matériaux ou de fabrication qui existaient déjà lorsque ce gros appareil ménager a été acheté. Le service doit être fourni par une compagnie de service désignée par Amana. LE SEUL ET EXCLUSIF RECOURS DU CLIENT DANS LE CADRE DE LA PRÉSENTE GARANTIE LIMITÉE CONSISTE EN LA RÉPARATION PRÉVUE CI-DESSUS. Cette garantie limitée est valide uniquement aux États-Unis ou au Canada et s'applique exclusivement lorsque le gros appareil ménager est utilisé dans le pays où il a été acheté. Une preuve de la date d'achat d'origine est exigée pour obtenir un service dans le cadre de la présente garantie limitée.

ÉLÉMENTS EXCLUS DE LA GARANTIE

La présente garantie limitée ne couvre pas :

1. Les pièces de rechange ou la main d'œuvre lorsque ce gros appareil ménager est utilisé à des fins autres que l'usage unifamilial normal ou lorsque les instructions d'installation et/ou les instructions de l'opérateur ou de l'utilisateur fournies ne sont pas respectées.
 2. Les visites de service pour rectifier l'installation du gros appareil ménager, montrer à l'utilisateur comment utiliser l'appareil, remplacer ou réparer des fusibles ou rectifier le câblage ou la plomberie du domicile.
 3. Les visites de service pour réparer ou remplacer les ampoules électriques, les filtres à air ou les filtres à eau de l'appareil. Les pièces consommables ne sont pas couvertes par la garantie.
 4. Les dommages imputables à : accident, modification, usage impropre ou abusif, incendie, inondation, actes de Dieu, installation fautive ou installation non conforme aux codes d'électricité ou de plomberie, ou l'utilisation de produits non approuvés par Amana.
 5. Les défauts apparents, notamment les éraflures, les bosses, fissures ou tout autre dommage au fini du gros appareil ménager, à moins que ces dommages soient dus à des vices de matériaux ou de fabrication et soient signalés à Amana dans les 30 jours suivant la date d'achat.
 6. L'enlèvement et la livraison. Ce gros appareil ménager est conçu pour être réparé à domicile.
 7. Les réparations aux pièces ou systèmes résultant d'une modification non autorisée faite à l'appareil.
 8. Les frais de déplacement et de transport pour le service d'un produit si votre gros appareil ménager est situé dans une région éloignée où un service d'entretien Amana autorisé n'est pas disponible.
 9. La dépose et la réinstallation de votre gros appareil ménager si celui-ci est installé dans un endroit inaccessible ou n'est pas installé conformément aux instructions d'installation fournies par Amana.
 10. Les pièces de rechange ou la main d'œuvre pour les gros appareils ménagers dont les numéros de série et de modèle originaux ont été enlevés, modifiés ou qui ne peuvent pas être facilement identifiés.
-

CLAUSE D'EXONÉRATION DE RESPONSABILITÉ AU TITRE DES GARANTIES IMPLICITES

LES GARANTIES IMPLICITES, Y COMPRIS LES GARANTIES APPLICABLES DE QUALITÉ MARCHANDE OU D'APTITUDE À UN USAGE PARTICULIER, SONT LIMITÉES À UN AN OU À LA PLUS COURTE PÉRIODE AUTORISÉE PAR LA LOI. Certains États et certaines provinces ne permettent pas de limitation sur la durée de garanties implicites de qualité marchande ou d'aptitude à un usage particulier, de sorte que la limitation ci-dessus peut ne pas être applicable dans votre cas. Cette garantie vous confère des droits juridiques spécifiques, et vous pouvez également jouir d'autres droits qui peuvent varier d'une juridiction à l'autre.

LIMITATION DES RECOURS, EXCLUSION DES DOMMAGES FORTUITS OU INDIRECTS

LE SEUL ET EXCLUSIF RECOURS DU CLIENT DANS LE CADRE DE LA PRÉSENTE GARANTIE LIMITÉE CONSISTE EN LA RÉPARATION PRÉVUE CI-DESSUS. AMANA N'ASSUME AUCUNE RESPONSABILITÉ POUR LES DOMMAGES FORTUITS OU INDIRECTS. Certains États et certaines provinces ne permettent pas l'exclusion ou la limitation des dommages fortuits ou indirects de sorte que ces limitations et exclusions peuvent ne pas être applicables dans votre cas. Cette garantie vous confère des droits juridiques spécifiques, et vous pouvez également jouir d'autres droits qui peuvent varier d'une juridiction à l'autre.

Si vous résidez à l'extérieur du Canada et des 50 États des États-Unis, contactez votre marchand Amana autorisé pour déterminer si une autre garantie s'applique.

Si vous avez besoin d'un service de réparation, voir d'abord la section "Dépannage" du Guide d'utilisation et d'entretien. Si vous n'êtes pas en mesure de résoudre le problème après avoir consulté la section "Dépannage", vous pouvez trouver de l'aide supplémentaire en consultant la section "Assistance ou Service" ou en appelant Amana. Aux É.-U., composer le **1-800-688-9900**. Au Canada, composer le **1-800-807-6777**.

7/08

W10192187A
SP PN W10192188A

© 2008
All rights reserved.
Todos los derechos reservados.
Tous droits réservés.

®Registered Trademark/™Trademark of Maytag Corporation or its related companies.
Used under license by Maytag Limited in Canada
®Marque déposée/™Marque de commerce de Maytag Corporation ou de ses compagnies affiliées.
Emploi sous licence par Maytag Limited au Canada.

8/08
Printed in U.S.A.
Impreso en EE.UU.
Imprimé aux É.-U.

