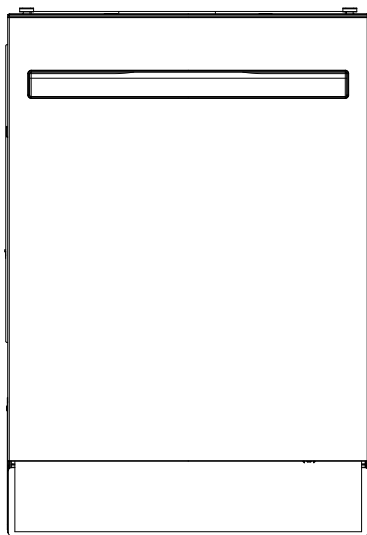




DISHWASHER

COS-DWI240TTRBK



BUILT-IN DISHWASHER

INSTALLATION MANUAL

IMPORTANT: READ AND SAVE THESE INSTRUCTIONS.
FOR RESIDENTIAL USE ONLY.

INSTALLER: PLEASE LEAVE THIS GUIDE WITH THE HOMEOWNER.

HOMEOWNER: PLEASE KEEP THIS GUIDE FOR FUTURE REFERENCE.

THANK YOU FOR YOUR PURCHASE

Thank you for your purchase. We know that you have many brands and products to choose from and we are honored to know that you have decided to take one of our products into your home and hope that you enjoy it.

COSMO Appliances are designed according to the strictest safety and performance standard for the North American market. We follow the most advanced manufacturing philosophy. Each appliance leaves the factory after thorough quality inspection and testing. Our distributors and our service partners are ready to answer any questions you may have regarding how to install, use and care for your products. We hope that this manual will help you learn to use the product in the safest and most effective manner.

Before using this product, please read through this manual carefully. Keep this user manual in a safe place for future reference. Please ensure that other persons using this product are familiar with these instructions as well.

If you have any questions or concerns, please contact the dealer from whom you purchased the product, or contact our Customer Support at:

1-888-784-3108

Reach us online at:

www.cosmoappliances.com

TABLE OF CONTENTS

Dishwasher Safety	4
Installation Requirements	7
Tools and Parts.....	7
Location Requirements & Clearance.....	9
Product Dimensions.....	12
Electrical Requirements.....	14
Installation Instructions	16
Remove Old Appliance.....	16
Unpack Dishwasher.....	18
Preparing Power Cord.....	19
Preparing the Water Supply Line and Drain Hose.....	20
Steam Protection Film.....	21
Kick Plate.....	22
Installing the Mounting Brackets.....	23
Positioning the Dishwasher into the Cabinet.....	26
Water Supply Line Connection.....	30
Junction Box Hardwire Connection.....	31
Drain Hose Connection.....	36
Disposal Connection Without Air Gap.....	37
Waste Tee Connection Without Air Gap.....	38
Waste Tee or Disposal Connection With Air Gap.....	39
Leveling the Dishwasher Height.....	40
Finishing the Installation	42

DISHWASHER SAFETY

Read All Instructions Before Using the Appliance

Your safety and the safety of others are very important.

We have provided many important safety messages in this manual and on your appliance. Always read and obey all safety messages.



This is the safety alert symbol.

This symbol alerts you to potential hazards that can kill or hurt you and others.

All safety messages will follow the safety alert symbol and either the word "WARNING" or "CAUTION." These words mean:




You can be killed or seriously injured if you don't follow instructions.




A potentially hazardous situation which, if not avoided, could result in minor or moderate injury.

All safety messages will tell you what the potential hazard is, tell you how to reduce the chance of injury, and tell you what can happen if the instructions are not followed.

 **WARNING:** To reduce the risk of fire, electric shock, serious injury, or property damage when using this dishwasher, follow these basic safety precautions.

California Proposition 65 Warning

 **WARNING:** Cancer and Reproductive Harm - www.P65Warnings.ca.gov



WARNING



Electrical Shock & Fire Hazard

- This dishwasher must be properly installed and grounded by a qualified technician. Improper grounding or incorrect electrical installation can result in electrical shock, fire, or death.
- Do not use an extension cord, power strip, or adapter to power this appliance.
- Always connect the dishwasher to a properly grounded 3-prong outlet as described in the installation instructions.
- Before performing any maintenance or repairs, disconnect power at the circuit breaker or fuse panel.



WARNING



Tip-Over & Injury Hazard

- Do not operate the dishwasher unless it is fully installed and secured in the cabinet opening.
- Do not place heavy objects, sit, or lean on the open door or racks. The dishwasher can tip forward or the door may collapse, causing serious injury or cuts.
- Use caution when opening the door if the racks are loaded — items may shift or fall.



WARNING

Chemical, Hot Water & Steam Hazard

- Use only detergents, rinse aids, and cleaning products specifically intended for automatic dishwashers.
- Dishwasher detergents are highly alkaline and can cause severe burns or eye damage if swallowed or splashed on skin or eyes. Keep them out of reach of children.
- Water inside the dishwasher can reach very high temperatures. Hot water or steam may be released when the door is opened, especially immediately after a wash cycle. Open the door slowly and stand back to avoid burns or scalds.
- Do not wash items in the dishwasher that are labeled “hand-wash only,” or items not rated dishwasher-safe (e.g. certain plastics, wood, nonstick cookware), unless explicitly approved by the manufacturer.
- In a hot-water system that has not been used for two weeks or longer, hydrogen gas may accumulate in the water pipes. Hydrogen gas is explosive. Before using the dishwasher after such a period, open each hot-water faucet and let the water run for several minutes. Do not smoke or use an open flame while the water is running.

INSTALLATION REQUIREMENTS

TOOLS AND PARTS

Gather the required tools and parts before starting installation. Read and follow the instructions provided with any tools listed here.

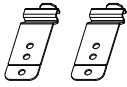
TOOLS NEEDED

- Measuring Tape
- Phillips Screwdriver
- Flathead Screwdriver
- Marker or pencil
- Electric Drill
- Utility Knife
- Wire Cutter
- Wire Stripper
- 2 ½" Hole Saw
- Level
- Towel and shallow pan (for checking water leaks)
- Adjustable Wrench
- Gloves and safety glasses
- Tubing Cutter
- Pliers
- ¼" Nut Driver

MATERIALS NEEDED

- Water Supply Line
- Supply Line Fittings
- Hose Adapter
- PTFE Thread Seal Tape
- UL-approved strain relief
- Air Gap
- Hose Clamp
- Electrical Tape
- UL-listed wire nuts
- Electrical cable/conduit

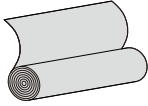
PARTS SUPPLIED



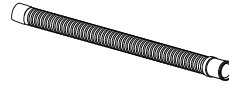
Mounting Bracket (2)



Screw (2)



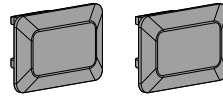
Steam Protection Film (1)



Drain Hose (1)



Hose Clamp (1)



Door Decorative Cover (2)

Note:

- Reference the contact information at the end of this manual and contact customer service if any parts are missing.
- To purchase replacement parts or any other accessories, please visit www.cosmoappliances.com or reference the contact information at the end of this manual.
- The images in this guide may be different from the actual components and accessories, which are subject to change by the manufacturer without prior notice for product improvement purposes.

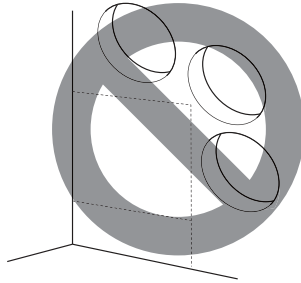
LOCATION REQUIREMENTS & CLEARANCE

This dishwasher is designed to fit a standard dishwasher opening. An opening may be needed on both sides to route plumbing and electrical connections.

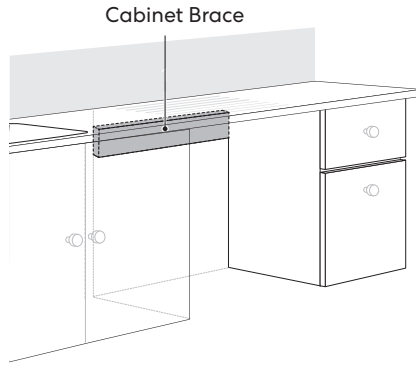


WARNING

- Installation damage is not covered by the warranty, and leaks caused by improper installation may result in property damage.
- Do not use existing holes unless they are in the target area.
- Failure to properly locate the hole for the water and drain lines may prevent the dishwasher from installing flush with the cabinets and could result in kinked, pinched, crushed, stressed or damaged lines.

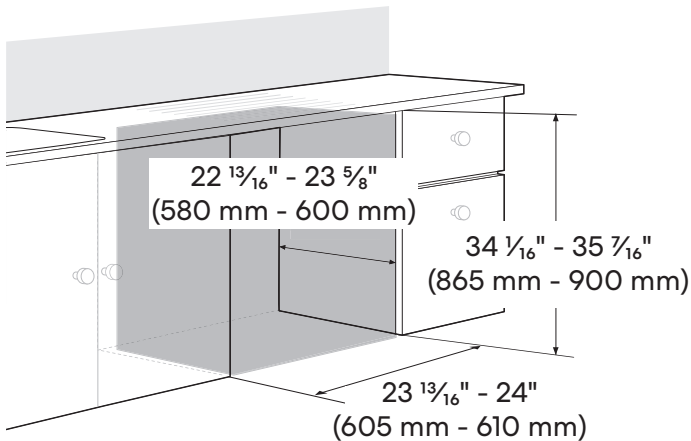


- Install the dishwasher as close to the sink as possible for proper drainage (recommended no more than 10 ft (3.05 m) from the sink/drain path).
- The location must have sufficient space for the dishwasher door to open easily and provide at least 0.1" (2 mm) between the dishwasher and the cabinet sides.
- If installing the dishwasher in a corner, it is recommended to leave minimum of 2" (50 mm) between the dishwasher and the adjacent wall.
- The adjacent wall must be free of obstructions.
- For flush installations only, you may remove the cabinet brace inside the cabinet.
- It is the installer's responsibility to comply with installation clearances specified on the rating plate. The plate is located on the dishwasher door inside, on the right side.



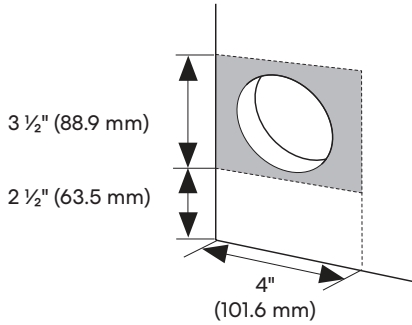
IMPORTANT: Indoor household use only. Observe all local codes and ordinances. The installation location must allow the door to open freely and must not block routing of the water line, drain hose, or power cord. (An access opening may be needed on one or both sides of the cabinet to route plumbing and electrical connections).

1. Select a location as close to the sink as possible for easy connections to water supply line, drain hose and electrical connection.



Cabinet clearances for the dishwasher installation are:
 Width: 23 $\frac{13}{16}$ " - 24" (605 mm - 610 mm),
 Depth: 22 $\frac{13}{16}$ " - 23 $\frac{5}{8}$ " (580 mm - 600 mm),
 Height: 34 $\frac{1}{16}$ " - 35 $\frac{7}{16}$ " (865 mm - 900 mm).

- To allow for proper clearance of plumbing and electrical, use the template included with the literature to determine the clearance on the side of the cabinet where the cabinet meets the back wall.
- Using a 2 1/2" (64 mm) diameter hole saw, drill a hole in the target area as shown on the template.



Requirement	Installation Routing Clearances
Side Clearance (each side)	0.1" (2 mm)
Max distance to sink/drain path	10 ft (3.05 m)
Corner Clearance to Wall	2" (50 mm)

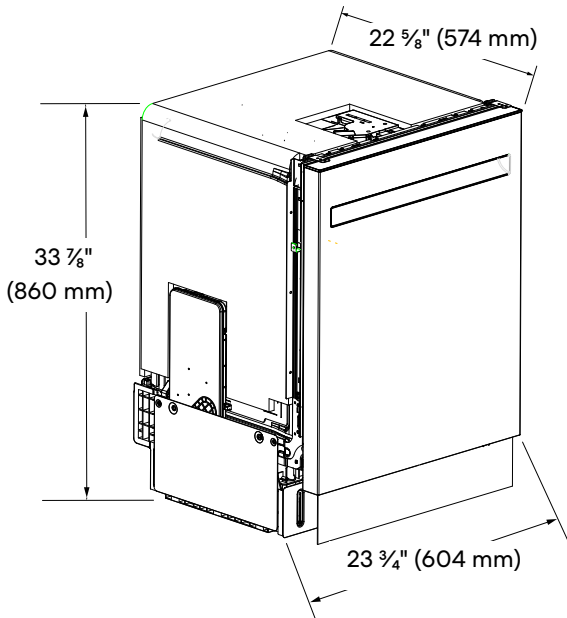
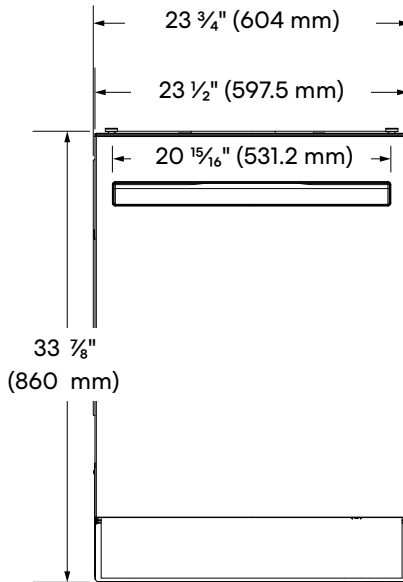
PRODUCT SPECIFICATIONS

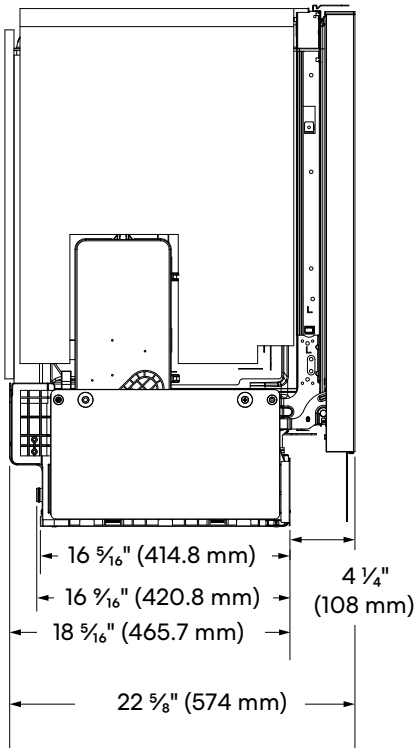
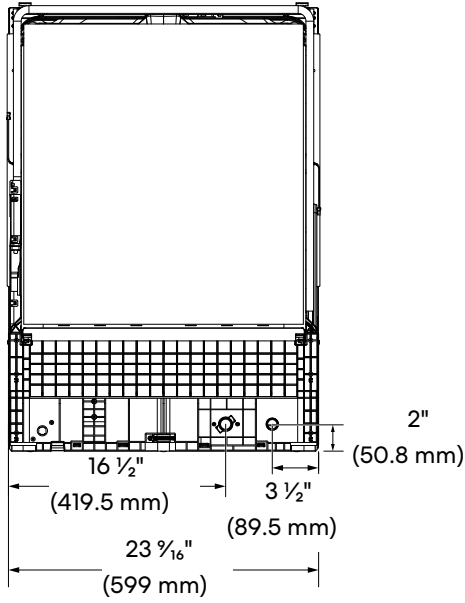
The appearance and specifications listed in this manual may vary due to constant product improvements.

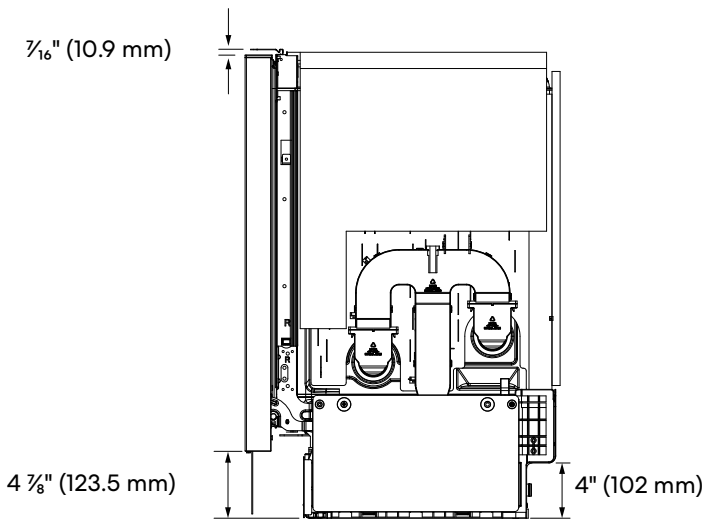
Electrical requirement	120 V, 60 Hz AC only, minimum 15 A circuit breaker
Water pressure	20 – 120 psi (138 – 827 kPa)
Inlet water temperature	50°F - 104°F (10°C - 49°C)
Net weight	82 lbs. (37.4 kg)

PRODUCT DIMENSIONS

Your model may appear different from the model depicted. Dimensions given are maximum dimensions.







ELECTRICAL REQUIREMENTS



WARNING



Electrical Shock Hazard

- Do not use an extension cord with this appliance.
- Remove house fuse or open circuit breaker before beginning installation.

Electrical Grounding Instructions

- This dishwasher must be connected to a properly grounded 3-prong outlet.
- Electrical connections must comply with all local codes and ordinances.
- Check with a qualified electrician if you are in doubt as to whether the appliance is properly grounded.

U.S.A. ONLY

Be sure that the electrical connection and wire size are adequate and in conformance with the National Electrical Code, ANSI/NFPA No. 70 - latest edition and all local codes and ordinances.

A copy of the above code standards can be obtained from:

National Fire Protection Association
1 Batterymarch Park
Quincy, MA 02169

CANADA ONLY

Be sure that the electrical connection and wire size are adequate and in conformance with the CSA Standard C22.1, Canadian Electrical Code, Part 1 - latest edition and all local codes and ordinances.

A copy of the above code standards can be obtained from:

Canadian Standards Association
178 Rexdale Blvd.
Toronto, ON M9W 1R3 CANADA

ELECTRICAL SPECIFICATIONS

- This appliance is intended for use on a single 120 V, 60 Hz, AC circuit.
- A dedicated 15 A or 20 A circuit is recommended.
- Use only a 3-prong grounded outlet.
- The plug must be accessible after installation.
- If the power cord is damaged, it must be replaced by the manufacturer, its service agent, or a similarly qualified person to avoid hazard.
- DO NOT remove the grounding prong from the power plug.
- The outlet or branch circuit supplying this dishwasher must be GFCI protected per NEC 210.8(D). Consult a qualified electrician and follow all local codes.
- This dishwasher is UL certified to UL 749 (Household Dishwashers) and certified for Canada to CSA C22.2 No. 167.

INSTALLATION INSTRUCTIONS

IMPORTANT: This appliance shall be installed only by authorized persons and in accordance with the manufacturer's installation instructions.

REMOVE OLD APPLIANCE



WARNING



Electrical Shock Hazard

- Remove house fuse or open circuit breaker to disconnect power before servicing. Failure to do so can result in death, fire, or electrical shock.



WARNING

Water Leak

- Shut off the water supply valve before disconnecting the water supply line.
- Expect residual water in the drain hose and inside the unit. Keep a towel and shallow pan/bucket ready.

Failure to follow these instructions can result in property damage.



CAUTION

Laceration, Foreign Object, Crush Hazard

- When installing, moving, or servicing any appliance, wear proper protective equipment, including cut resistant gloves, steel-toed shoes, and safety glasses.

- 1.** Turn OFF power to the dishwasher at the breaker box (leave it off until removal is complete).
- 2.** Turn OFF the water supply at the shutoff valve under the sink. Open the dishwasher door and remove the lower rack (optional, but helps reduce weight and prevents damage).
- 3.** Remove the kick plate to access the leveling legs and connections.
- 4.** Disconnect the drain hose from the sink drain/disposal connection. Place a towel/pan under the connection to catch any water.
- 5.** Disconnect the water supply line from the dishwasher inlet connection (keep the towel/pan in place).
- 6.** Unplug the power supply from the outlet.
- 7.** Remove the mounting screws/brackets securing the dishwasher to the countertop or cabinet sides.
- 8.** Lower the dishwasher slightly by adjusting the leveling legs (to clear the countertop lip, if needed).
- 9.** Carefully pull the dishwasher out a few inches at a time while guiding the Power Cord, Water Supply Line, and Drain Hose so they don't snag, kink, or scratch cabinetry/flooring.

Move the dishwasher away from the installation space and drain any remaining water into a pan as needed.

UNPACK DISHWASHER



WARNING

Excessive Weight Hazard

- Use two or more people to move and install the dishwasher. Failure to do so can result in back or other injury.

1. Remove shipping materials, tape and film from the dishwasher. Do not dispose of anything until the installation is complete.
2. Open the door and remove any interior packing materials, documentation, and accessory/installation parts package. Check that all supplied parts are present.
3. Using two or more people, carefully move the dishwasher close to—but not inside—its final installation location so the Power Cord, Water Supply Line, and Drain Hose can be routed and connected as required.

Note:

- Do not remove any warning labels or the model/serial rating label.
- Do not use sharp tools, abrasive cleaners, or flammable fluids to remove tape or adhesive. These products can damage the dishwasher's surfaces.
- Do not lift or move the dishwasher by pulling on the door, door handle, or control panel area.
- When moving the dishwasher, keep the door closed and use the cabinet/frame areas for handling.
- To reduce the risk of damage, avoid rolling the dishwasher over power cables, hoses, or sharp edges.
- If the dishwasher is laid on its back during handling, protect the Drain Hose and Water Supply Line from being kinked or crushed.

PREPARING POWER CORD WIRING

IMPORTANT: Turn off electrical power to the dishwasher at the circuit breaker before installation. Shut off the house water supply before connecting the water supply line. Electrical and grounding connections must comply with local codes.

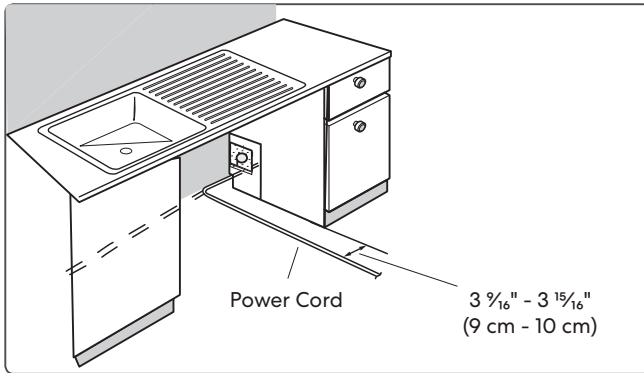


WARNING

Electrical Connection

- Operate this appliance with the correct voltage as shown in this manual and on the rating plate.
- The wiring must be grounded properly. If in doubt, have it checked by a qualified electrician.
- The appliance and outlet must be positioned so that the plug is easily accessible.
- Do not use an extension cable or adapter with this dishwasher.
- Do not overload the outlet with more than one appliance.
- It is the personal responsibility and obligation of the product's owner to have a proper outlet installed by a qualified electrician.

1. Begin by routing the Power Cord to the dishwasher opening.
2. Guide the Power Cord through the cabinet access opening and position it so it can pass into the dishwasher base area without being pinched when the unit is slid into place.
3. Ensure the Power Cord is routed through the designated bottom channels as shown in the installation illustrations.



Note:

- If the dishwasher is laid on its back at any time during installation, protect the drain hose from damage if it's already installed.

PREPARING THE WATER SUPPLY LINE AND DRAIN HOSE (PRE-CONNECTING AT THE DISHWASHER)



CAUTION

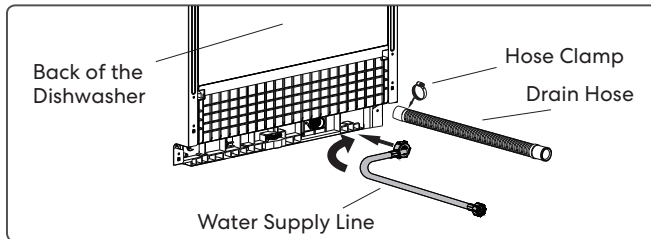
- When connecting the water supply line to the house water supply, sealing tape or compound should be used on pipe threads to avoid leaks. Tape or compound should not be used on compression fittings.
- Connect the dishwasher to a hot water supply with a temperature between 50°F - 104°F (10°C - 49°C). This temperature provides the best washing results and shortest cycle time.
- Water supply pressure must be 20 - 120 psi (138 - 827 kPa).



WARNING

Water Connection

- Do not reuse an old hose. Use only a new hose when installing the dishwasher. The old hose could leak or burst causing flooding and property damage.
1. Prepare the water supply line and drain hose at the back of the dishwasher before placing the unit fully into the cabinet opening.
 2. With the house water supply shut off, connect the water supply line as shown in the installation illustrations below.
 3. To prevent leaks, use sealing tape or pipe compound only on pipe-thread connections (where applicable). Do not use tape or compound on compression fittings.



Note:

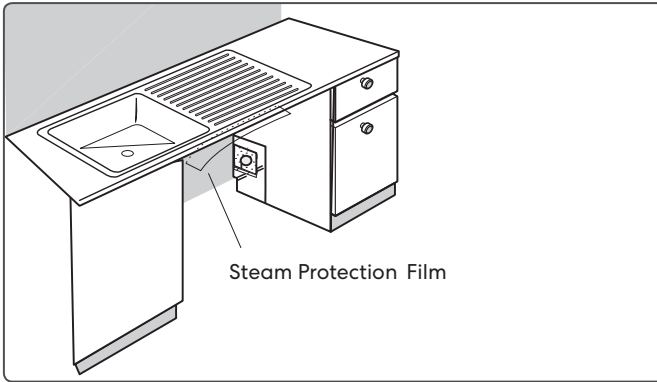
- Use new hose-sets and pipes supplied with the appliance. Do not reuse old items.

STEAM PROTECTION FILM

IMPORTANT: To help prevent steam released when the dishwasher door is opened from damaging the cabinet, apply the supplied Steam Protection Film to the top of the cabinet/underside of the countertop directly above the dishwasher door opening.

Note:

- Apply the film before sliding the dishwasher into the cabinet opening.
- Do not apply the film over dust, grease, or moisture, as this may reduce adhesion.



1. Before applying, make sure the surface is clean and completely dry.
2. Peel the backing from the Steam Protection Film, align it along the front edge above the dishwasher opening, and press firmly into place.
3. Smooth the film so it lays flat and adheres fully.

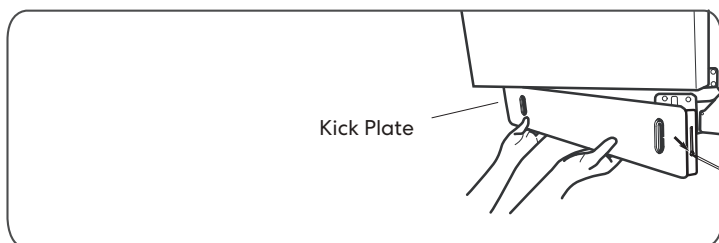
KICK PLATE



CAUTION

Laceration, Foreign Object, Crush Hazard

- When installing, moving, or servicing any appliance, wear proper protective equipment, including cut resistant gloves, steel-toed shoes, and safety glasses.



1. The Kick Plate must be removed to access the leveling legs and the front utility area for final checks, and it is reinstalled after the dishwasher is fully installed and checked for leaks.
2. Locate the screws securing the Kick Plate at the bottom front of the dishwasher.
3. Remove the screws, then pull the Kick Plate forward and set it aside along with the screws for reinstallation later.

Note:

- Do not operate the dishwasher without the Kick Plate installed, after installation is complete.

INSTALLING THE MOUNTING BRACKETS

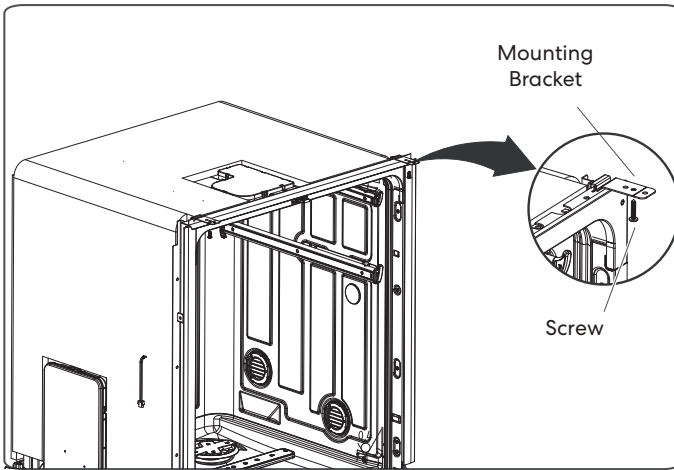
For countertops made of wood or that will not be damaged by drilling, use TOP MOUNTING (METHOD 1).

Use the SIDE MOUNTING (METHOD 2) when the underside of the countertop cannot be drilled (for example: stone, quartz, granite, solid-surface countertops) or when required by the installation type.

TOP MOUNTING (METHOD 1)

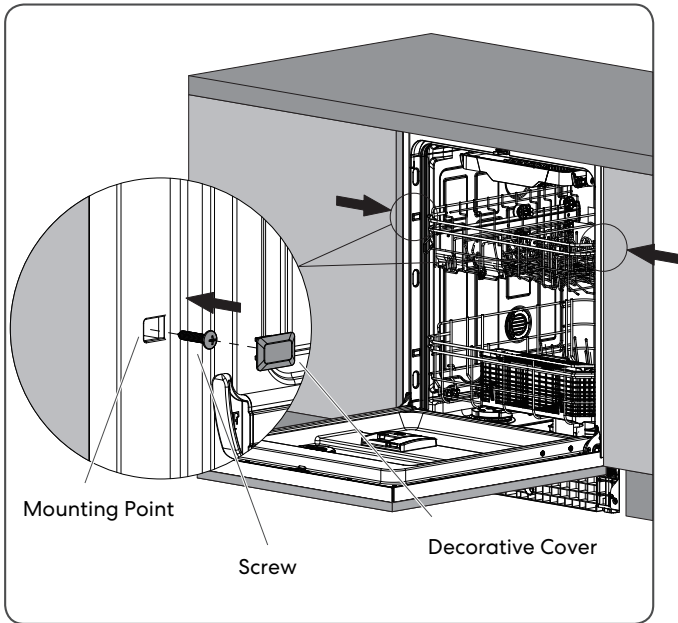
Note:

- Do not secure the dishwasher to the countertop/cabinet until the unit is fully positioned, leveled, and aligned with the cabinet opening.



1. Before sliding the dishwasher into the cabinet opening, install the supplied Mounting brackets on the top front of the dishwasher frame.
2. Position each Mounting bracket in the designated location and secure it using the provided Screw.
3. Position the Mounting bracket so it will contact the underside of the countertop after the dishwasher is fully positioned.
4. Keep the mounting screws accessible for later, as the dishwasher is secured only after it is fully inserted and leveled.

SIDE MOUNTING (METHOD 2)



1. Position the dishwasher fully in the cabinet opening and leveled.
2. Open the door and locate the mounting points on the upper left and right sides of the dishwasher frame.
3. Remove the upper left and right door decorative caps, if present by slightly lifting the damper.
4. Align the dishwasher so it is centered in the opening with equal clearance on both sides.
5. Secure the dishwasher to the cabinet sides using the provided Screws through the side mounting points and put the door decorative covers to cover.

POSITIONING DISHWASHER INTO THE CABINET

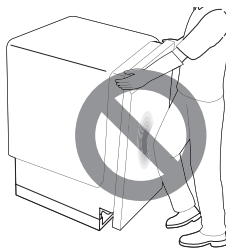


CAUTION

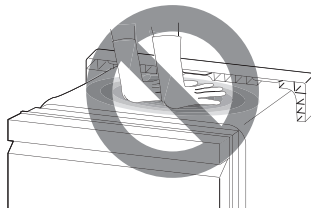
- Do not pull or lift the dishwasher using the handle. Doing so can damage the door and hinges.



- Do not push the door of the dishwasher with knees when sliding the dishwasher into position. Doing so can damage the front door panel.

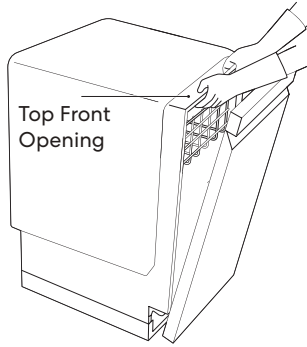


- Do not push the top of the dishwasher. Doing so can damage the dishwasher's interior.

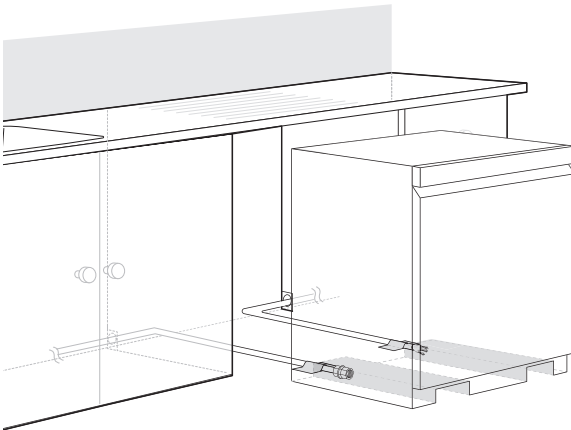


Note:

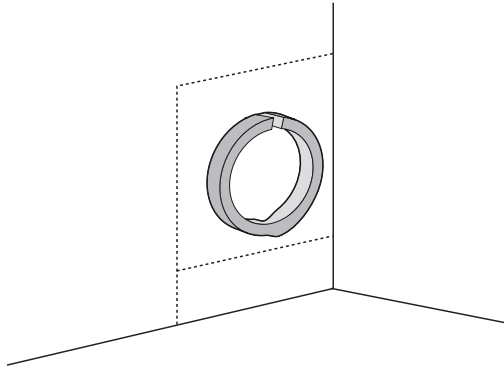
- Open the door and grab the body frame and the top front opening of the tub to move or lift the dishwasher.



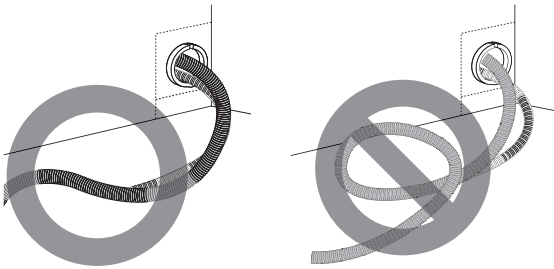
1. Align the dishwasher with the cabinet opening. Make sure the Water Supply Line and Power Cord are positioned to slide into their channels.



2. Smooth or pad the edges of the cabinet access hole to prevent damage to the Drain Hose.



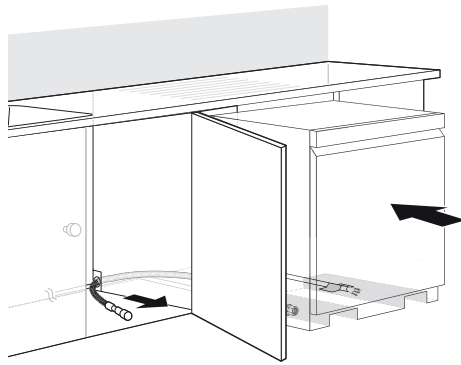
3. Keep the Drain Hose straight and feed it through the cabinet access hole. Be careful not to kink, pinch, crush or stress the drain hose during installation to avoid leaking and water damage.



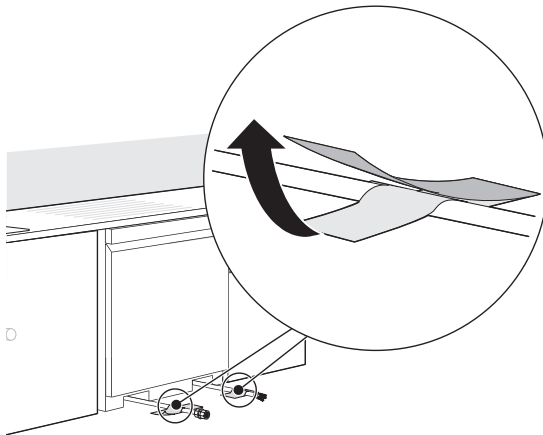
Note:

- To protect flooring, place a piece of cardboard or a blanket under the dishwasher before sliding it into the cabinet opening.

4. Slide the dishwasher in slowly. From inside the cabinet, pull the Drain Hose to remove slack. Stop occasionally and pull more slack if needed.



5. As the dishwasher slides in, make sure the Water Supply Line and Power Cord move freely and do not get caught under the unit.
6. Remove any tape from the Water Supply Line and Power Cord (if used).





CAUTION

- To avoid malfunctions or leakage, it is important that the drain hose not get kinked, pinched, stressed or crushed behind or under the dishwasher or inside the neighboring cabinet.
- Damage resulting from improper installation is not covered under the warranty.

WATER SUPPLY LINE AND POWER CONNECTION

WATER SUPPLY LINE CONNECTION

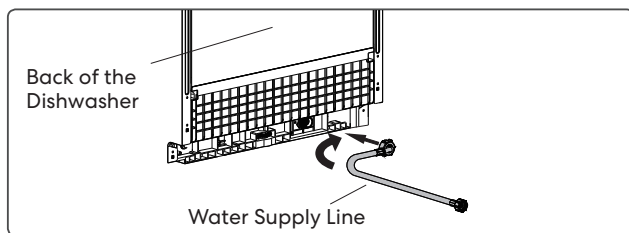
1. With the home water supply turned off, connect the Water Supply Line to the dishwasher water inlet connection (rear/base area) as shown in the installation illustrations.



CAUTION

- Tape or compound should not be used on dishwasher inlet valve.

2. Tighten the compression nut.



3. Slide the Water Supply Line back through the routing channel. From inside the cabinet, gently pull the line to remove slack. Make sure the line is not kinked, pinched, stressed or crushed.

JUNCTION BOX HARDWIRE CONNECTION

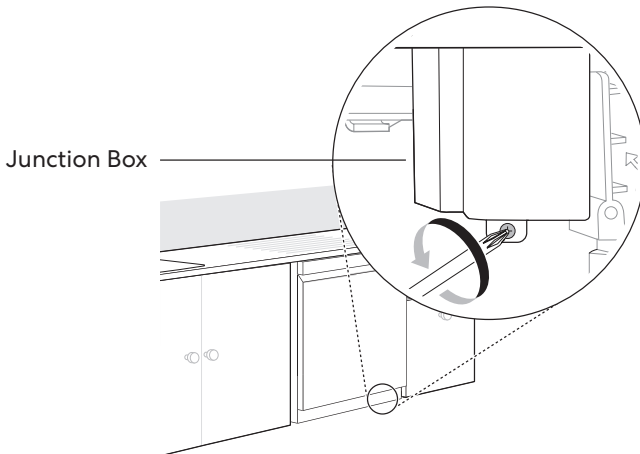
The dishwasher should have a dedicated properly grounded branch circuit to connect the 3-wire setup which includes the ground wire.

If a 3-prong power supply is used, it should be in an accessible location adjacent to the dishwasher within recommended 4 ft. (1.22 m) of the dishwasher side and not behind the dishwasher.

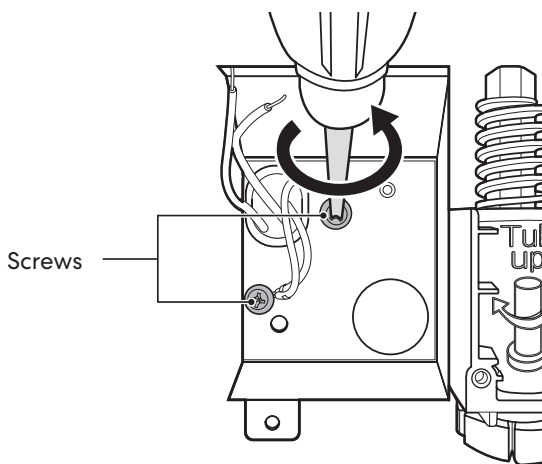
Note:

- The best location for the electrical conduit is on the right side of the back wall. Re-route the electrical cable before installation if the electrical conduit pipe is longer than 3" (76 mm) and is centered on the back wall.
- Wire size (Hardwire): Use a 3-conductor copper cable with ground sized per local code and the circuit breaker rating. Typically, use 14 AWG copper for a 15 A circuit or 12 AWG copper for a 20 A circuit.

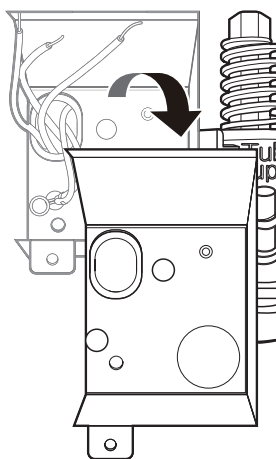
1. Turn off electrical power to the unit at the circuit breaker and make sure the Kick Plate was taken off.
2. Use a Phillips screwdriver to remove the screw from the junction box cover and remove the cover.



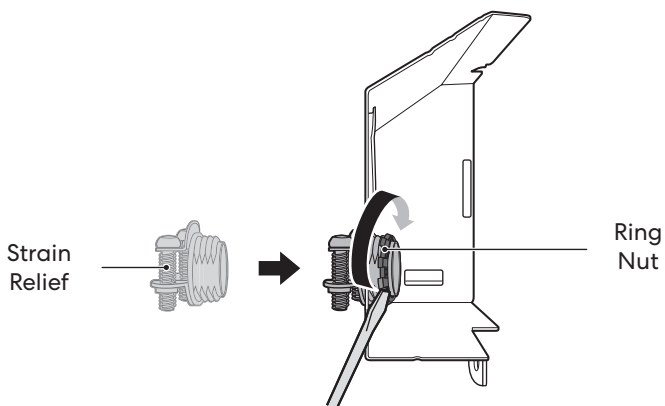
3. Use a Phillips screwdriver to remove 2 screws.



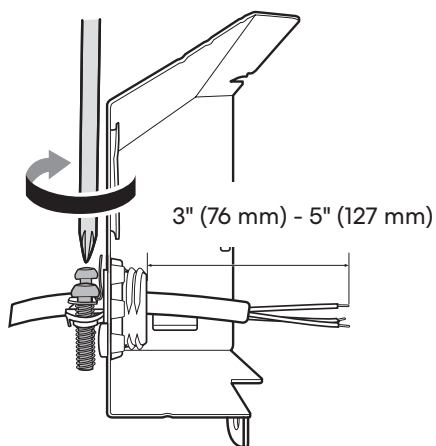
4. Remove the junction box from the appliance.



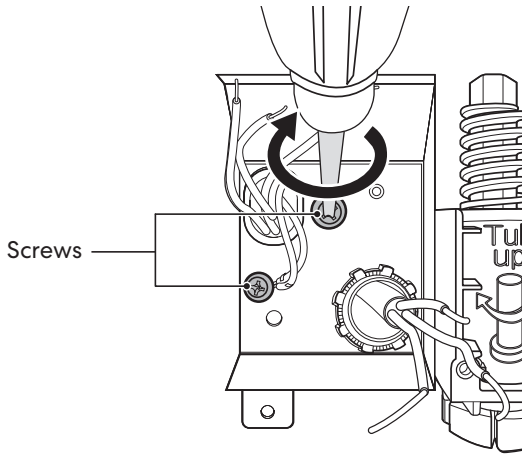
5. Insert a UL-approved strain relief (not provided) through the hole in the junction box. Tighten the ring nut to secure it in place.



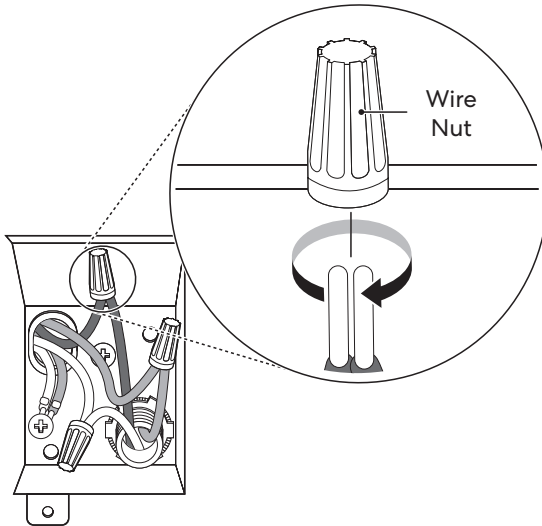
6. Insert the electrical cable through the hole in the strain relief. Tighten 2 screws to secure the cable.



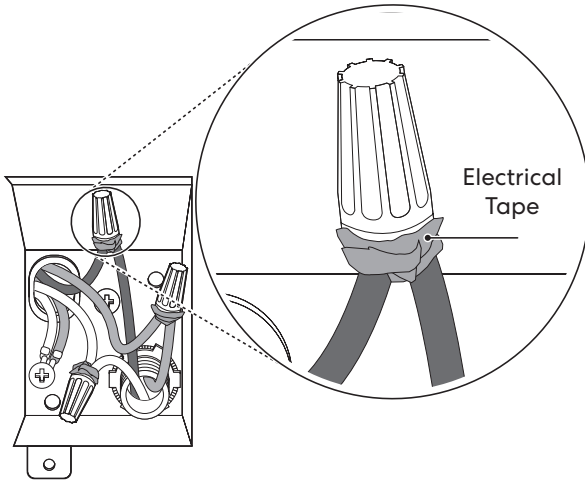
7. Position the junction box back onto the appliance and reinstall the screws to secure the junction box assembly.



8. Pair the white, black, and green wires to the matching-colored wires from the dishwasher. Then twist on the provided wire nuts tightly to connect the corresponding wires.



9. Wrap electrical tape around each connection. Fold the connected wires back into the junction box and screw on the junction box cover.



WARNING



- Verify the supply provides 120 VAC and that the black conductor is hot (line). If you are unsure, have the circuit checked by a licensed electrician.



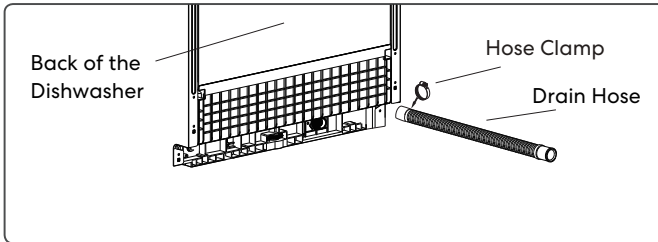
CAUTION



- Do not leave stripped wire exposed. Trim stripped wire to fit completely inside wire nuts.

DRAIN HOSE CONNECTION

Drain hose connection is located behind the dishwasher.



If the end of the drain hose does not fit the drain line, use a heat and detergent resistant adapter (not supplied). These may be obtained from a local plumbing supply store.

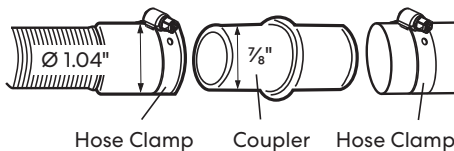
- Cut the adapter so the end matches the size of the drain connection.

Note:

- For drain hose installation, use the screw style hose clamp provided with this dishwasher in the silverware basket.
- If connecting the dishwasher's drain hose to the garbage disposal, be sure to follow your garbage disposal's manual for proper installation instructions.

DRAIN HOSE REQUIREMENTS

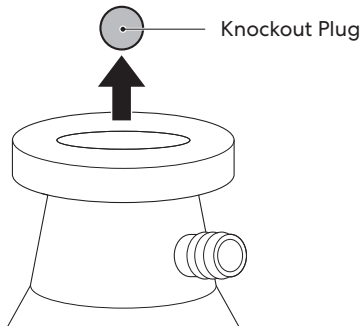
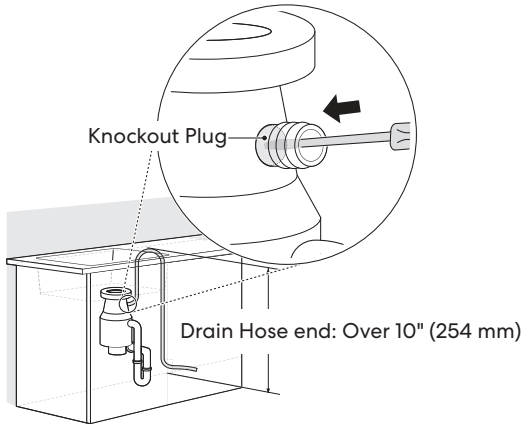
- Follow local codes and ordinances. Do not exceed 10 ft. (3.05 m) distance to drain.
- Do not connect drain hoses from other appliances to the dishwasher's drain hose.
- If an extension drain hose is required, use a coupler with 7/8" outside diameter to connect the two hose ends, and secure both ends with hose clamps.



DISPOSAL CONNECTION WITHOUT AIR GAP

The end of the drain hose connection must be over 10" (254 mm) above the bottom/base of the dishwasher to help prevent siphoning.

1. Remove the knockout plug on the disposal inlet port with a hammer and screwdriver.

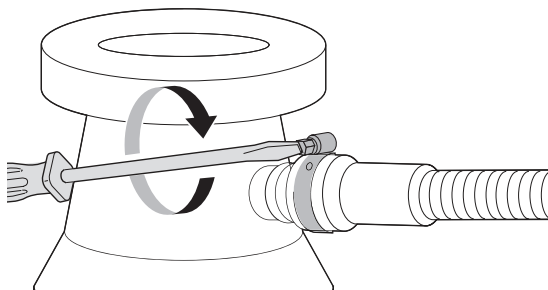


CAUTION

- If the knockout plug has not been removed, the dishwasher will not be able to drain properly.

2. Connect the Drain Hose to the disposal inlet port and secure the connection using the provided hose clamp.

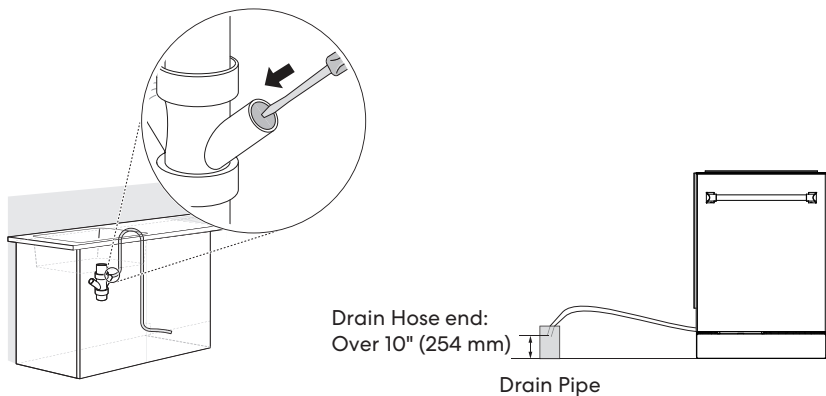
3. Move the hose clamp into position and tighten it with a flat-blade screwdriver.



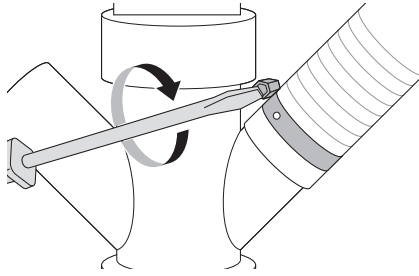
WASTE TEE CONNECTION WITHOUT AIR GAP

The end of the drain hose connection must be over 10" (254 mm) above the bottom/base of the dishwasher to help prevent siphoning.

1. Remove the plug with a hammer and screwdriver if present.

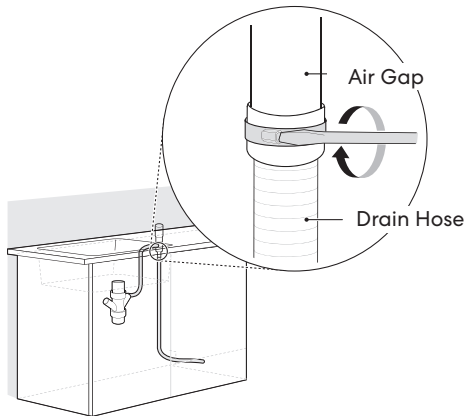


2. Attach the drain hose to the waste tee with the hose clamp provided. Move the clamp into position and tighten it with a flat-blade screwdriver.



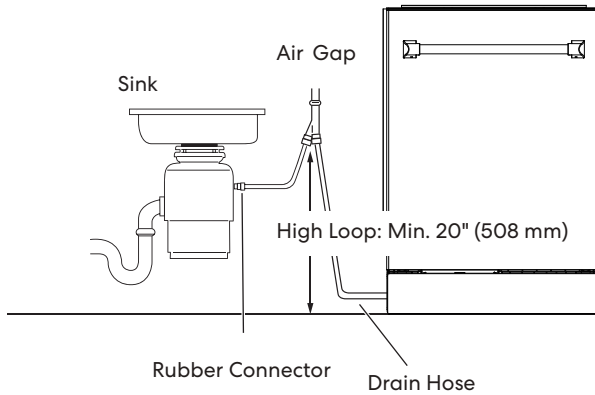
WASTE TEE OR DISPOSAL CONNECTION WITH AIR GAP

1. If connecting to the disposal, remove the knockout plug with a hammer and screwdriver. If connecting to a waste tee, ensure the inlet is open (remove plug if present).
2. Connect the end of the drain hose to the air gap with the hose clamp provided. Move the clamp into position and tighten it with a flat-blade screwdriver.



3. If it is not connected, attach the rubber hose connector to the disposal of waste tee with a hose clamp (not provided). Secure the drain hose in a

high loop as high as possible under the countertop. The high loop must be a minimum of 20 in (508 mm).



LEVELING THE DISHWASHER HEIGHT

Check that the dishwasher is level and adjust the legs if necessary. To access the leveling legs, make sure the kick plate has been removed. Refer to the “Kick Plate” Section.

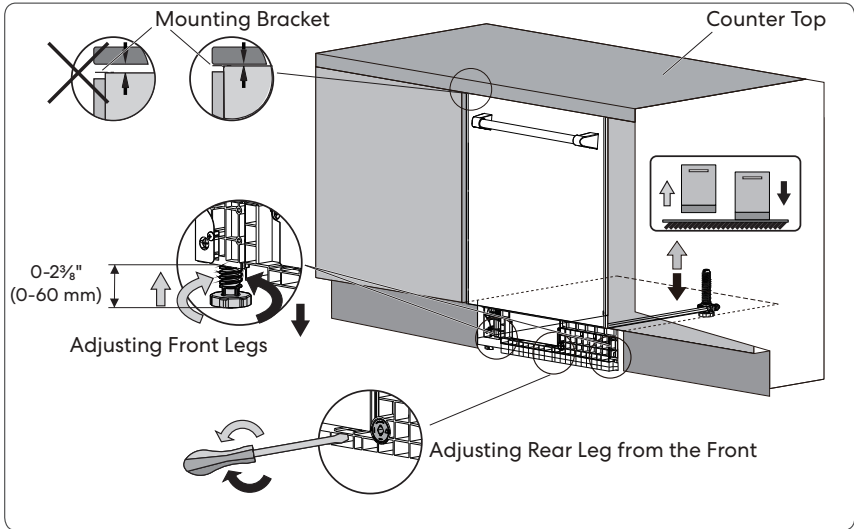
Adjusting Front Legs

1. Turn the front leveling legs to raise or lower the front of the dishwasher.
2. Adjust the front legs by hand first to get close to the correct height.

Adjusting Rear Leg

1. Locate the rear adjustment screw/lever at the front center of the dishwasher base.
2. Insert a Flat Screwdriver and rotate the adjuster in the clock-wise direction to raise or anti clock-wise direction to lower the rear of the dishwasher.

3. Continue adjusting until the dishwasher is level and the mounting brackets are touching the countertop and the unit does not rock.



FINISHING THE INSTALLATION

1. Make sure to mount the screws with the mounting brackets to the countertop or cabinet sides using a screwdriver.
2. Confirm the dishwasher is stable and not rocking.
3. Confirm the top of the dishwasher is flush under the countertop.
4. Open and close the door to ensure it moves smoothly and does not rub the cabinet.
5. Turn ON the water supply valve and restore power to the dishwasher.
6. Run a short cycle (such as the Rinse cycle) and check for leaks under and around the dishwasher while it runs and drains. Keep the kick plate off during this test to inspect for any water leaks.
7. After confirming there are no leaks, reinstall the Kick Plate using the screws removed earlier.

IMPORTANT

Do Not Return This Product To The Store

If you have a problem with this product, please contact COSMO Customer Support at

+1 (888) 784-3108

DATED PROOF OF PURCHASE, MODEL #, AND SERIAL # REQUIRED FOR WARRANTY SERVICE.

IMPORTANT

Ne pas Réexpédier ce Produit au Magasin

Pour tout problème concernant ce produit, veuillez contacter le service des consommateurs Cosmo Customer Support au

+1 (888) 784-3108

UNE PREUVE D'ACHAT DATEE EST REQUISE POUR BENEFICIER DE LA GARANTIE.

IMPORTANTE

No regrese este producto a la tienda

Si tiene algún problema con este producto, por favor contacte el ayuda al cliente COSMO al

+1 (888) 784-3108

(Válido solo en E.U.A.)

NECESITA UNA PRUEBA DE DE COMPRA FECHADA, NÚMERO DE MODELO Y DE SERIE PARA EL SERVICIO DE LA GARANTÍA.



Correct Disposal of this product:

This marking indicates that this appliance should not be disposed with other household wastes. To prevent possible harm to the environment or human health from uncontrolled waste disposal, recycle it responsibly to promote the sustainable reuse of material resources.



APPLIANCES

Cosmo is constantly making efforts to improve the quality and performance of our products, so we may make changes to our appliances without updating this manual.

Electronic version of this manual is available at:
www.cosmoappliances.com