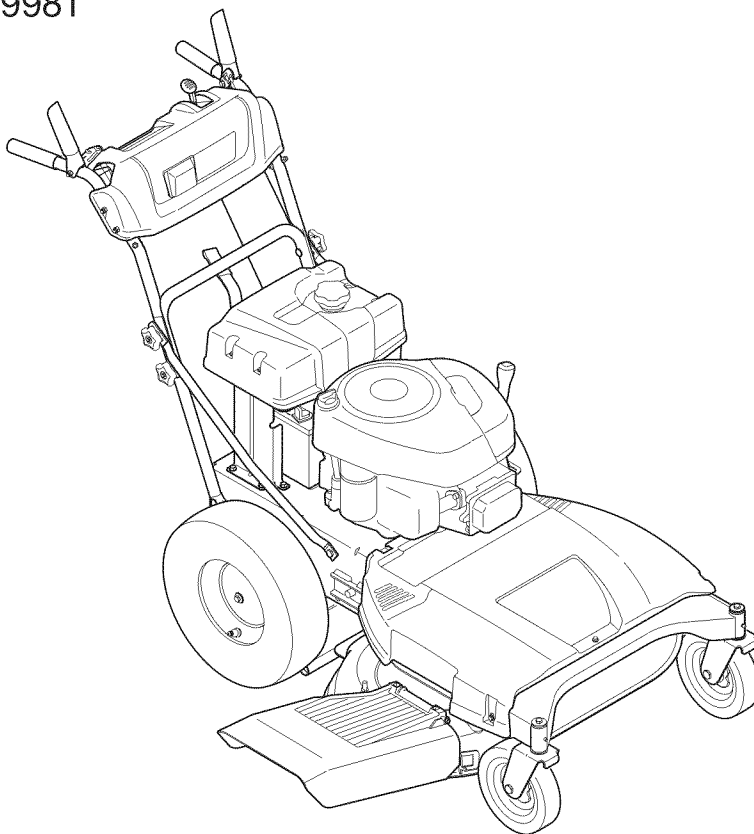


Operator's Manual



33-inch Wide Cut Mower

Model No. 247.889981



CAUTION: Before using this product, read this manual and follow all safety rules and operating instructions.

- SAFETY
- ASSEMBLY
- OPERATION
- MAINTENANCE
- PARTS LIST
- ESPAÑOL P. 49

Sears Brands Management Corporation, Hoffman Estates, IL 60179, U.S.A.

Visit our website: www.craftsman.com

Form No. 769-06544B

(January 13, 2012)

TABLE OF CONTENTS

Warranty Statement	2	Off-Season Storage	26
Safety Instructions	3-6	Troubleshooting	27
Slope Guide.....	7	Parts List	28-42
Assembly.....	8-12	Español.....	49
Operation	13-15	Service Numbers	Back Cover
Service and Maintenance	16-25		

WARRANTY STATEMENT

CRAFTSMAN PROFESSIONAL TWO YEAR FULL WARRANTY

FOR TWO YEARS from the date of purchase, this product is warranted against any defects in material or workmanship. Defective product will receive free repair or free replacement if repair is unavailable.

This warranty applies for only one year from the date of purchase if this product is ever used while providing commercial services or if rented to another person.

For warranty coverage details to obtain repair or replacement, visit the web site: www.craftsman.com.

This warranty covers ONLY defects in material and workmanship. Warranty coverage does NOT include:

- Expendable items that become worn during normal use, including but not limited to blades, spark plugs, air cleaners, belts, and oil filters.
- Standard maintenance servicing, oil changes, or tune-ups.
- Tire replacement or repair caused by punctures from outside objects, such as nails, thorns, stumps, or glass.
- Tire or wheel replacement or repair resulting from normal wear, accident, or improper operation or maintenance.
- Repairs necessary because of operator abuse, including but not limited to damage caused by impacting objects that bend the frame or crankshaft, or over-speeding the engine.
- Repairs necessary because of operator negligence, including but not limited to, electrical and mechanical damage caused by improper storage, failure to use the proper grade and amount of engine oil, failure to keep the deck clear of flammable debris, or failure to maintain the equipment according to the instructions contained in the operator's manual.
- Engine (fuel system) cleaning or repairs caused by fuel determined to be contaminated or oxidized (stale). In general, fuel should be used within 30 days of its purchase date.
- Normal deterioration and wear of the exterior finishes, or product label replacement.

This warranty gives you specific legal rights, and you may also have other rights which vary from state to state.

Sears Brands Management Corporation, Hoffman Estates, IL 60179

PRODUCT SPECIFICATIONS

Gross HP:	12.5
Engine Oil:	SAE 30
Fuel:	Unleaded Gasoline
Spark Plug:	Champion® RC12YC
Engine:	Briggs & Stratton PowerBuilt™

MODEL NUMBER

Model Number _____
Serial Number _____
Date of Purchase _____

Record the model number, serial number,
and date of purchase above.



SAFETY INSTRUCTIONS

WARNING

This symbol points out important safety instructions which, if not followed, could endanger the personal safety and/or property of yourself and others. Read and follow all instructions in this manual before attempting to operate this machine. Failure to comply with these instructions may result in personal injury. When you see this symbol, HEED ITS WARNING!

WARNING

CALIFORNIA PROPOSITION 65

Engine Exhaust, some of its constituents, and certain vehicle components contain or emit chemicals known to State of California to cause cancer and birth defects or other reproductive harm. Battery posts, terminals, and related accessories contain lead and lead compounds, chemicals known to the State of California to cause cancer and reproductive harm. Wash hands after handling.

DANGER

This machine was built to be operated according to the safe operation practices in this manual. As with any type of power equipment, carelessness or error on the part of the operator can result in serious injury. This machine is capable of amputating fingers, hands, toes and feet and throwing debris. Failure to observe the following safety instructions could result in serious injury or death.

WARNING

Your Responsibility—Restrict the use of this power machine to persons who read, understand and follow the warnings and instructions in this manual and on the machine.

SAVE THESE INSTRUCTIONS!

GENERAL OPERATION

- Read this operator's manual carefully in its entirety before attempting to assemble this machine. Read, understand, and follow all instructions on the machine and in the manuals before operation. Keep this manual in a safe place for future and regular reference and for ordering replacement parts
- Be completely familiar with the controls and the proper use of this machine before operating it.
- This machine is a precision piece of power equipment, not a plaything. Therefore, exercise extreme caution at all times. This machine has been designed to perform one job: to mow grass. Do not use it for any other purpose.
- Never allow children under 14 years of age to operate this machine. Children 14 and over should read and understand the instructions and safe operation practices in this manual and on the machine and should be trained and supervised by an adult.
- Only responsible individuals who are familiar with these rules of safe operation should be allowed to use this machine.
- Thoroughly inspect the area where the equipment is to be used. Remove all stones, sticks, wire, bones, toys and other foreign objects, which could be tripped over or picked up and thrown by the blade. Thrown objects can cause serious personal injury.
- Plan your mowing pattern to avoid discharge of material toward roads, sidewalks, bystanders and the like. Also, avoid discharging material against a wall or obstruction, which may cause discharged material to ricochet back toward the operator.
- To help avoid blade contact or a thrown object injury, stay in operator zone behind handles and keep children, bystanders, helpers and pets at least 75 feet from mower while it is in operation. Stop machine if anyone enters area.
- Always wear safety glasses or safety goggles during operation and while performing an adjustment or repair to protect your eyes. Thrown objects which ricochet can cause serious injury to the eyes.
- Wear sturdy, rough-soled work shoes and close-fitting slacks and shirts. Shirts and pants that cover the arms and legs and steel-toed shoes are recommended. Never operate this machine in bare feet, sandals, slippery or light-weight (e.g. canvas) shoes.
- Do not put hands or feet near rotating parts or under the cutting deck. Contact with blade can amputate fingers, hands, toes and feet.
- A missing or damaged discharge cover can cause blade contact or thrown object injuries.
- Many injuries occur as a result of the mower being pulled over the foot during a fall caused by slipping or tripping. Do not hold on to the mower if you are falling: release the handle immediately.
- Never pull the mower back toward you while you are walking. If you must back the mower away from a wall or obstruction first look down and behind to avoid tripping and then follow these steps:
 1. Step back from mower to fully extend your arms forward.
 2. Be sure you are well balanced with sure footing.
 3. Pull the mower back slowly, no more than half way toward you.
 4. Repeat these steps as needed.
- Do not operate the mower while under the influence of alcohol or drugs.
- Do not engage the self-propelled mechanism on machines so equipped while starting engine.

SAFETY INSTRUCTIONS

- The blade control handle is a safety device. Never attempt to bypass its operation. Doing so makes the safety device inoperative and may result in personal injury through contact with the rotating blade. The blade control handle must operate easily in both directions and automatically return to the disengaged position when released.
- Never operate the mower in wet grass. Always be sure of your footing. A slip and fall can cause serious personal injury. If you feel you are losing your footing, release the blade control handle immediately and the blade will stop rotating within three seconds.
- Mow only in daylight or good artificial light. Walk, never run.
- Stop the blade when crossing gravel drives, walks or roads.
- If the equipment should start to vibrate abnormally, stop the engine and check immediately for the cause. Vibration is generally a warning of trouble.
- Shut the engine off and wait until the blade comes to a complete stop before removing the grass catcher or unclogging the chute. The cutting blade continues to rotate for a few seconds after the blade control is released. Never place any part of the body in the blade area until you are sure the blade has stopped rotating.
- Never operate mower without proper trail shield, discharge cover, grass catcher, blade control handle or other safety protective devices in place and working. Never operate mower with damaged safety devices. Failure to do so can result in personal injury.
- Muffler and engine become hot and can cause a burn. Do not touch.
- Never attempt to make a wheel or cutting height adjustment while the engine is running.
- Only use parts and accessories made for this machine by the manufacturer as listed in the Parts pages of this Operator's Manual. Failure to do so can result in personal injury.
- When starting engine, pull cord slowly until resistance is felt, then pull rapidly. Rapid retraction of starter cord (kickback) will pull hand and arm toward engine faster than you can let go. Broken bones, fractures, bruises or sprains could result.
- If situations occur which are not covered in this manual, use care and good judgement. Contact 1-800-4MY-HOME® for information and assistance.

SLOPE OPERATION

Slopes are a major factor related to slip and fall accidents, which can result in severe injury. Operation on slopes requires extra caution. If you feel uneasy on a slope, do not mow it. For your safety, use the Slope Guide included as part of this manual to measure slopes before operating this machine on a sloped or hilly area. If the slope is greater than 15 degrees, do not mow it.

Do:

- Mow across the face of slopes; never up and down. Exercise extreme caution when changing direction on slopes.
- Watch for holes, ruts, rocks, hidden objects, or bumps which can cause you to slip or trip. Tall grass can hide obstacles.
- Always be sure of your footing. A slip and fall can cause serious personal injury. If you feel you are losing your balance, release the blade control handle immediately and the blade will stop rotating within three (3) seconds.

Do Not:

- Do not mow near drop-offs, ditches or embankments, because you could lose your footing or balance.
- Do not mow slopes greater than 15 degrees as shown on the slope guide.
- Do not mow on wet grass. Unstable footing could cause slipping.

CHILDREN

Tragic accidents can occur if the operator is not alert to the presence of children. Children are often attracted to the mower and the mowing activity. They do not understand the dangers. Never assume that children will remain where you last saw them.

- Keep children out of the mowing area and under watchful care of a responsible adult other than the operator.
- Be alert and turn mower off if a child enters the area.
- Before and while moving backwards, look behind and down for small children.
- Use extreme care when approaching blind corners, doorways, shrubs, trees, or other objects that may obscure your vision of a child who may run into the mower.
- Keep children away from hot or running engines. They can suffer burns from a hot muffler.
- Never allow children under 14 years of age to operate this machine. Children 14 and over should read and understand the instructions and safe operation practices in this manual and on the machine and be trained and supervised by an adult.

SERVICE

Safe Handling Of Gasoline:

- To avoid personal injury or property damage use extreme care in handling gasoline. Gasoline is extremely flammable and the vapors are explosive. Serious personal injury can occur when gasoline is spilled on yourself or your clothes, which can ignite. Wash your skin and change clothes immediately.
- Use only an approved gasoline container.
- Never fill containers inside a vehicle or on a truck or trailer bed with a plastic liner. Always place containers on the ground away from your vehicle before filling.
- Remove gas-powered equipment from the truck or trailer and refuel it on the ground. If this is not possible, then refuel such equipment on a trailer with a portable container, rather than from a gasoline dispenser nozzle.
- Keep the nozzle in contact with the rim of the fuel tank or container opening at all times until fueling is complete. Do not use a nozzle lock-open device.

SAFETY INSTRUCTIONS

- Extinguish all cigarettes, cigars, pipes and other sources of ignition.
- Never fuel machine indoors because flammable vapors will accumulate in the area.
- Never remove gas cap or add fuel while engine is hot or running. Allow engine to cool at least two minutes before refueling.
- Never over-fill fuel tank. To allow for expansion of the fuel, do not fill above the bottom of the fuel tank neck.
- Replace gasoline cap and tighten securely.
- If gasoline is spilled, wipe it off the engine and equipment. Move machine to another area. Wait 5 minutes before starting engine.
- Never store the machine or fuel container near an open flame, spark or pilot light as on a water heater, space heater, furnace, clothes dryer or other gas appliances.
- To reduce fire hazard, keep machine free of grass, leaves, or other debris build-up. Clean up oil or fuel spillage and remove any fuel-soaked debris.
- Allow machine to cool at least 5 minutes before storing.

General Service:

- Never run an engine indoors or in a poorly ventilated area. Engine exhaust contains carbon monoxide, an odorless and deadly gas.
- Before cleaning, repairing, or inspecting, make certain the blade and all moving parts have stopped. Disconnect the spark plug wire and ground against the engine to prevent unintended starting.
- Check the blade and engine mounting bolts at frequent intervals for proper tightness. Also, visually inspect blade for damage (e.g., bent, cracked, worn). Replace blade with the original equipment manufacturer's (O.E.M.) blade only, listed in the Parts pages of this manual. Use of parts which do not meet the original equipment specifications may lead to improper performance and compromise safety!
- Mower blades are sharp and can cut. Wrap the blade or wear gloves, and use extra caution when servicing them.
- Keep all nuts, bolts, and screws tight to be sure the equipment is in safe working condition.
- Never tamper with safety devices. Check their proper operation regularly.
- After striking a foreign object, stop the engine, disconnect the spark plug wire and ground against the engine. Thoroughly inspect the mower for any damage. Repair the damage before starting and operating the mower.
- Never attempt to make a wheel or cutting height adjustment while the engine is running.
- Grass catcher components, discharge cover, and trail shield are subject to wear and damage which could expose moving parts or allow objects to be thrown. For safety protection, frequently check components and replace immediately with original equipment manufacturer's (O.E.M.) parts only, listed in the Parts pages of this manual. Use of parts which do not meet the original equipment specifications may lead to improper performance and compromise safety!

- Do not change the engine's governor setting or over-speed the engine. The governor controls the maximum safe operating speed of the engine.
- Check fuel line, tank, cap, and fittings frequently for cracks or leaks. Replace if necessary.
- Do not crank engine with spark plug removed.
- Maintain or replace safety and instruction labels, as necessary.
- Observe proper disposal laws and regulations. Improper disposal of fluids and materials can harm the environment.
- According to the Consumer Products Safety Commission (CPSC) and the U.S. Environmental Protection Agency (EPA), this product has an *Average Useful Life* of seven (7) years, or 140 hours of operation. At the end of the *Average Useful Life* have the machine inspected annually by a Sears or other qualified service dealer to ensure that all mechanical and safety systems are working properly and not worn excessively. Failure to do so can result in accidents, injuries or death.

DO NOT MODIFY ENGINE

To avoid serious injury or death, do not modify engine in any way. Tampering with the governor setting can lead to a runaway engine and cause it to operate at unsafe speeds. Never tamper with factory setting of engine governor. Doing so will void the product warranty.

NOTICE REGARDING EMISSIONS

Engines which are certified to comply with California and federal EPA emission regulations for SORE (Small Off Road Equipment) are certified to operate on regular unleaded gasoline, and may include the following emission control systems: Engine Modification (EM) and Three Way Catalyst (TWC) if so equipped.

SPARK ARRESTOR

WARNING

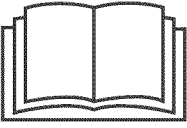








This machine is equipped with an internal combustion engine and should not be used on or near any unimproved forest-covered, brush-covered or grass-covered land unless the engine's exhaust system is equipped with a spark arrestor meeting applicable local or state laws (if any).

If a spark arrestor is used, it should be maintained in effective working order by the operator. In the State of California the above is required by law (Section 4442 of the California Public Resources Code). Other states may have similar laws. Federal laws apply on federal lands. A spark arrestor (Part No. 398067) for the muffler is available through your nearest Sears Parts and Repair Service Center.

SAFETY INSTRUCTIONS

SAFETY SYMBOLS

This page depicts and describes safety symbols that may appear on this product. Read, understand, and follow all instructions on the machine before attempting to assemble and operate.

Symbol	Description
	READ THE OPERATOR'S MANUAL(S) Read, understand, and follow all instructions in the manual(s) before attempting to assemble and operate.
	DANGER — ROTATING BLADES To reduce the risk of injury, keep hands and feet away. Do not operate unless discharge cover or grass catcher is in its proper place. If damaged, replace immediately.
	DANGER — BYSTANDERS Do not mow when children or others are around.
	DANGER — HAND/ FOOT CUT Keep hands and feet away from rotating parts.
	DANGER — THROWN DEBRIS Remove objects that can be thrown by the blade in any direction. Wear safety glasses.
	DANGER — SLOPES Use extra caution on slopes. Do not mow slopes greater than 15°.
	WARNING—GASOLINE IS FLAMMABLE Allow the engine to cool at least two minutes before refueling.
	WARNING— CARBON MONOXIDE Never run an engine indoors or in a poorly ventilated area. Engine exhaust contains carbon monoxide, an odorless and deadly gas.
	WARNING— HOT SURFACE Engine parts, especially the muffler, become extremely hot during operation. Allow engine and muffler to cool before touching.

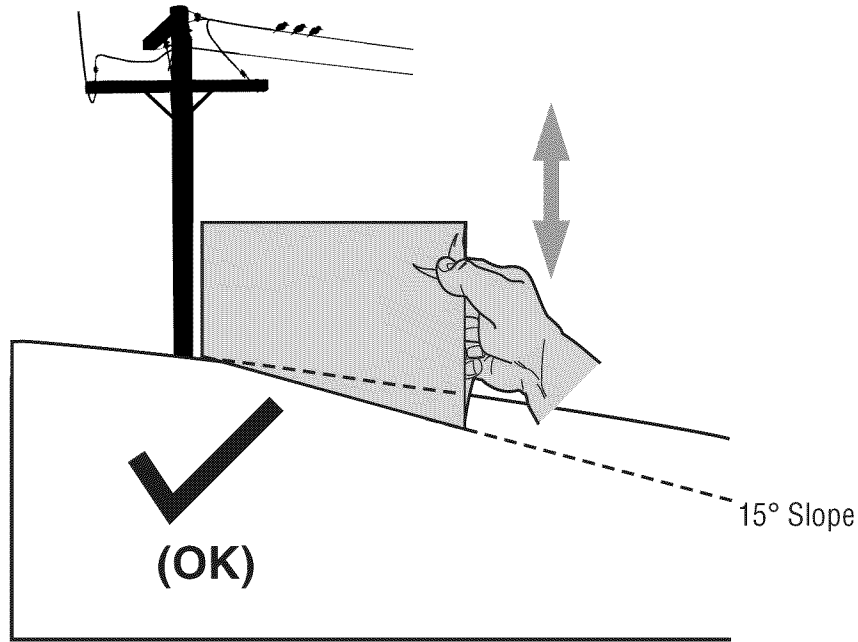


Figure 1

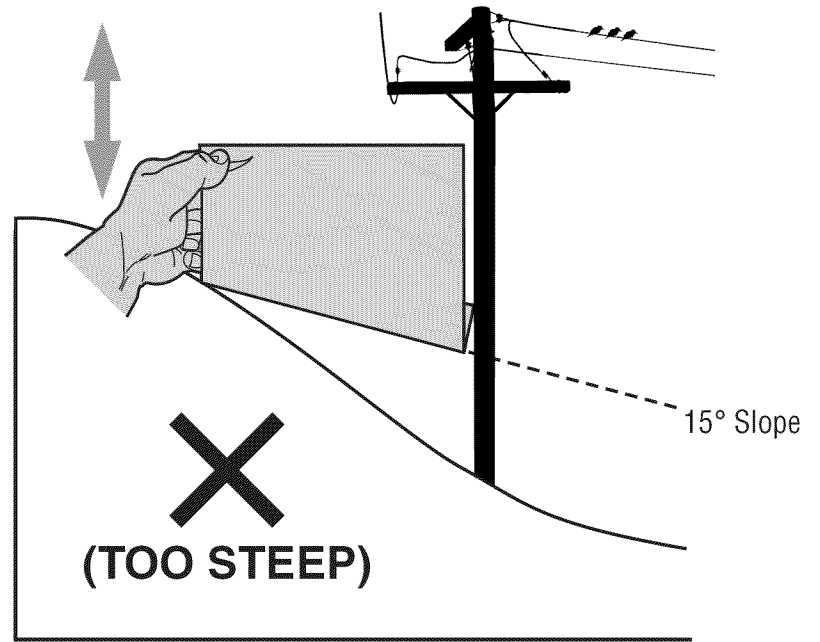
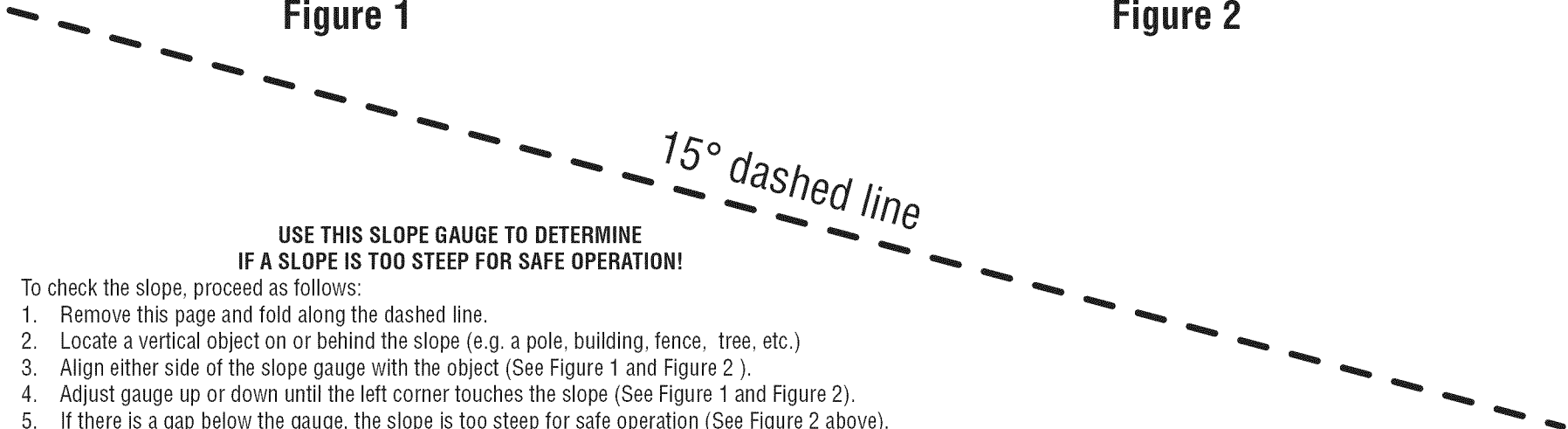


Figure 2



**USE THIS SLOPE GAUGE TO DETERMINE
IF A SLOPE IS TOO STEEP FOR SAFE OPERATION!**

To check the slope, proceed as follows:

1. Remove this page and fold along the dashed line.
2. Locate a vertical object on or behind the slope (e.g. a pole, building, fence, tree, etc.)
3. Align either side of the slope gauge with the object (See Figure 1 and Figure 2).
4. Adjust gauge up or down until the left corner touches the slope (See Figure 1 and Figure 2).
5. If there is a gap below the gauge, the slope is too steep for safe operation (See Figure 2 above).

⚠ WARNING

Slopes are a major factor related to tip-over and roll-over accidents which can result in severe injury or death. Do not operate machine on slopes in excess of 15 degrees. All slopes require extra caution. Always mow across the face of slopes, never mow up and down slopes.

ASSEMBLY

IMPORTANT: This unit is shipped with oil in the engine. After assembly, see page 13 for fuel and oil details.

IMPORTANT: Reference to right or left side of the mower is observed from the operating position.

⚠ WARNING

Disconnect the spark plug wire and ground it against the engine to prevent unintended starting.

LOOSE PARTS IN CARTON

The following items are packaged in a bag:

Operator's Manual, Oil drain hose, Water hose coupler, Engine Manual

TOOLS NEEDED FOR ASSEMBLY

A set of adjustable wrenches and tire gauge

MOWER SET-UP

Shipping Brace Removal

⚠ WARNING

Make sure the lawn mower's engine is off. Remove the ignition key before removing the shipping brace.

1. Locate the shipping brace, if present, found on the right side of the cutting deck. See Figure 1.

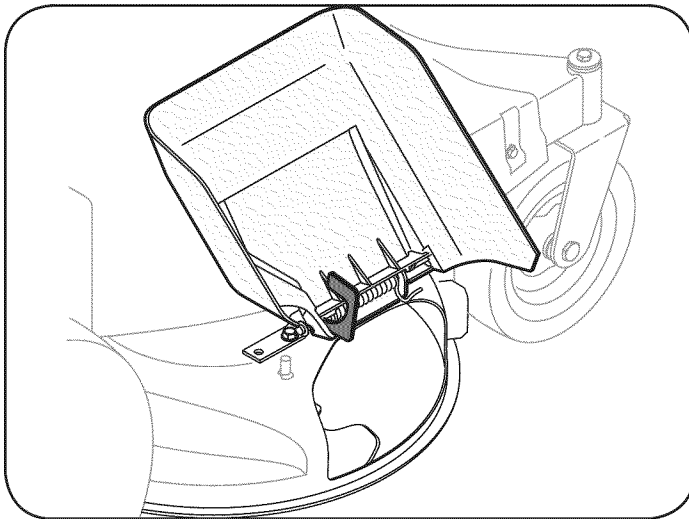


Figure 1

2. While holding the discharge chute with your left hand, remove the shipping brace with your right hand by grasping it between your thumb and index finger and rotating it clockwise.

⚠ WARNING

The shipping brace is used for packaging purposes only. Remove and discard the shipping brace before operating your lawn mower.

⚠ WARNING

The mowing deck is capable of throwing objects. Failure to operate the mower without the discharge cover in the proper operating position could result in serious personal injury and/or property damage.

Attaching the Battery Cables

NOTE: The positive battery terminal is marked Pos. (+). The negative battery terminal is marked Neg. (-).

The positive cable (heavy red wire) is secured to the positive battery terminal (+) with a hex bolt and hex nut at the factory.

The negative cable (heavy black wire) may be secured to the negative battery terminal at the factory. If it hasn't been attached, proceed as follows:

1. Remove the carriage bolt and hex nut from the positive cable (heavy red wire).
2. Remove the red plastic cover, if present, from the positive battery terminal and attach the positive cable to the positive battery terminal (+) with the bolt and hex nut. See Figure 2.

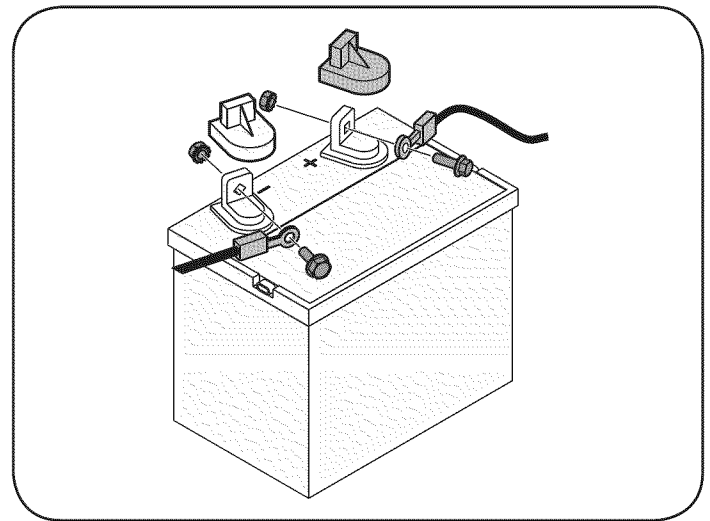


Figure 2

3. Remove the carriage bolt and hex nut from the negative cable (heavy black wire).
4. Remove the black plastic cover, if present, from the negative battery terminal and attach the negative cable to the negative battery terminal (-) with the bolt and hex nut. See Figure 2.
5. Make certain the hold-down rod is in position over the battery, securing it in place and make certain that the red rubber boot covers the positive battery terminal to help protect it from corrosion.

NOTE: If the battery is put into service after the date shown on top/side of battery, charge the battery as instructed in the Maintenance section of this manual prior to operating the mower.

ASSEMBLY

Unfolding the Handle

1. Remove the star knobs and carriage screws from the lower handle. See Figure 3.

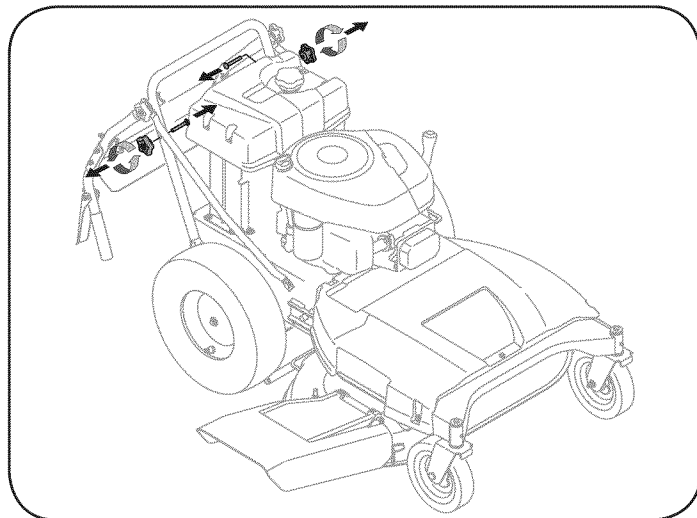


Figure 3

2. Pivot the upper handle into operating position. Be careful not to crimp cables. See Figure 4.

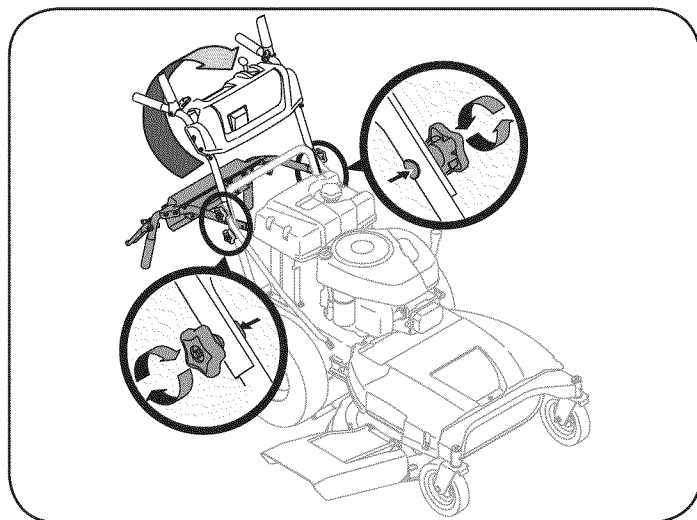


Figure 4

3. Reinstall the carriage screws and knobs removed earlier.
4. Tighten the upper and lower star knobs and carriage screws to secure the upper handle to the lower handle, See Figure 4.
5. The handle height can be adjusted to any of three positions. For instructions, refer to Handle Height in the Maintenance and Adjustments section of this manual.

Attaching the Shift Lever

1. Remove the screw and the lock nut that secures the shift lever to the shift lever plate. See Figure 5.

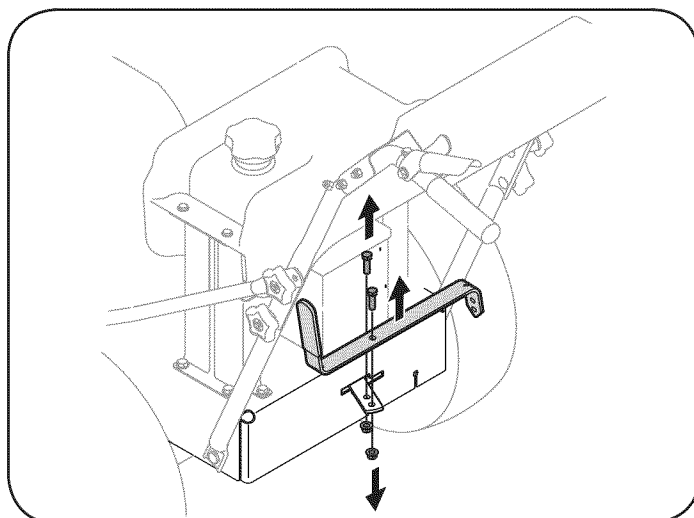


Figure 5

2. Remove the remaining screw and nut from the lower shift lever plate. See Figure 5.
3. Position the upper shift lever into a vertical position aligning the holes in the lever with the holes in the shift plate. See Figure 6.

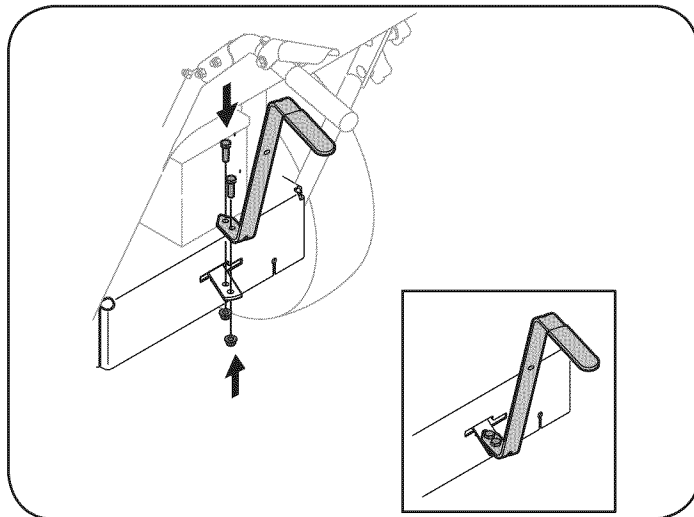


Figure 6

4. Secure the lever to the plate using the two screws and two nuts removed earlier. See Figure 6.

Checking Tire Pressure

⚠ WARNING

Maximum tire pressure under any circumstances is 30 psi. Equal tire pressure should be maintained at all times.

The rear tires on your unit may be over-inflated for shipping purposes. Reduce the tire pressure before operating the mower. Recommended operating tire pressure is approximately 20 p.s.i. Check the sidewall of tire for maximum p.s.i.

KNOW YOUR MOWER

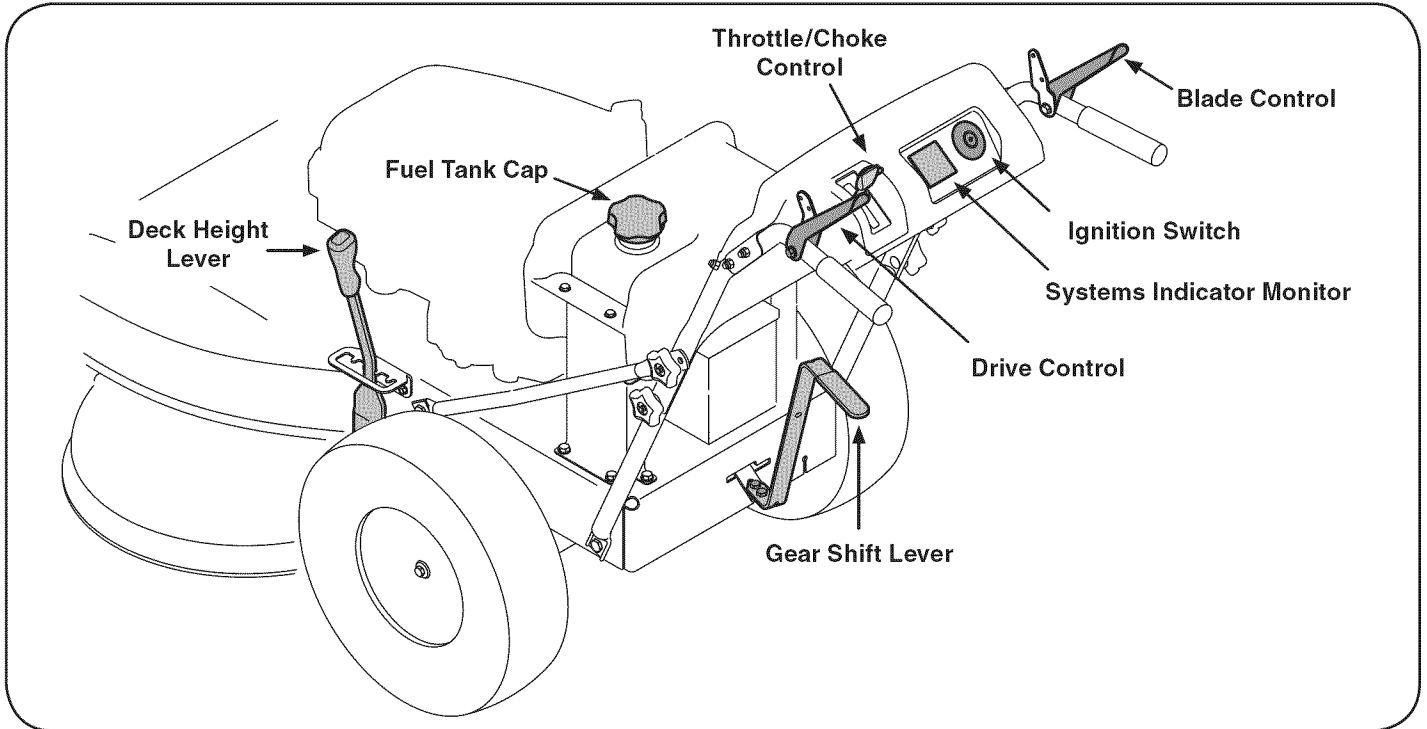


Figure 7

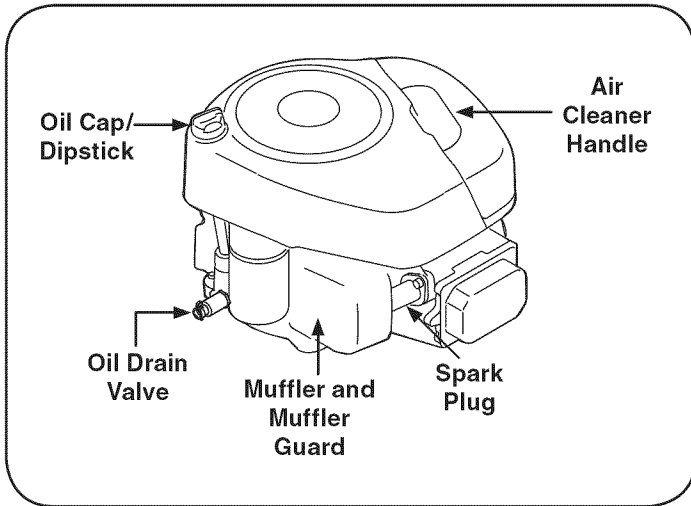


Figure 8

ENGINE CONTROLS

Refer to Figure 8 for locations of the engine controls.

Oil Drain Valve

Use the oil drain valve to drain oil from the engine. Refer to the Maintenance section for instructions.

Air Cleaner Handle

The air cleaner handle is used to gain access to the air cleaner. The air cleaner cartridge can be removed and cleaned or replaced. Refer to the Maintenance section for details.

Spark Plug

Refer to the Maintenance section for instructions on spark plug replacement.

Oil Cap/Dipstick

Refer to the Maintenance section for instructions on checking the oil.

MOWER CONTROLS

Refer to Figure 7 for locations of the mower controls.

Throttle/Choke Control

NOTE: When operating the mower with the cutting deck engaged, be certain that the throttle/choke control is in the fast position.

THE throttle/choke control is used to adjust engine speeds, to activate the engine choke and to stop the engine. Always run engine with the throttle / choke control lever in the fast position for best mower performance.

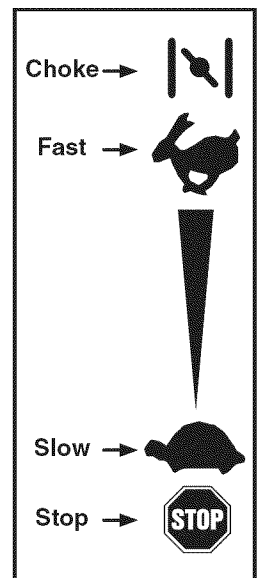
CHOKE: Use when starting a cold engine.

FAST: Use during mower operation.

SLOW: Use when idling engine.

STOP: Stops the engine.

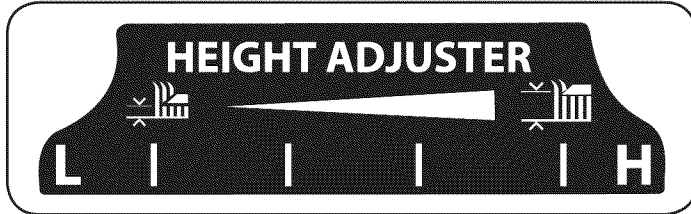
REFER to Starting The Engine in the Operation section of this manual for detailed starting instructions.



KNOW YOUR MOWER

Deck Height Lever

Use this lever to adjust the mowing deck's cutting height. To use, move the lever to the left, then place the lever in the notch best suited for your application.



Ignition Switch

⚠ WARNING

Never leave a running machine unattended. Always disengage blades, stop engine and remove key to prevent unintended starting.

The four-position switch is used to start and stop the engine on electric-start models. To start the engine, insert the key into the ignition switch and turn clockwise to the **START** position. Release key into the **RUN** position once the engine has started. Move the key into the **RUN/LIGHT** position to run the mower with the headlight on. Turn the key to **STOP** to stop the engine. See Figure 9.

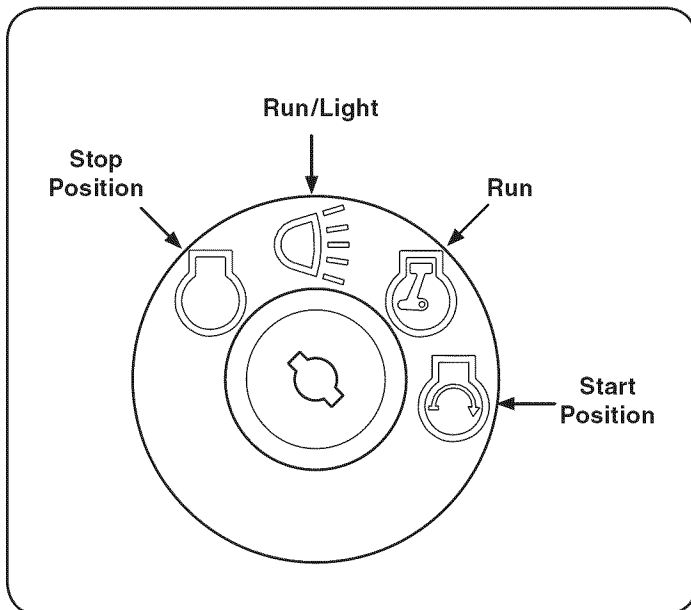


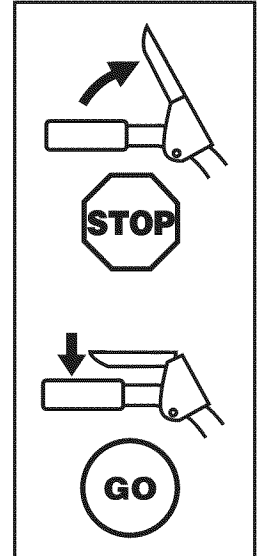
Figure 9

⚠ CAUTION

Never move the key into the Start position while the engine is running; doing so may cause damage to the engine's starter.

Drive Control

The drive control is used to engage and disengage drive to the wheels. To engage this control, squeeze the drive control against the handlebar grip. To stop the drive, release the drive control.

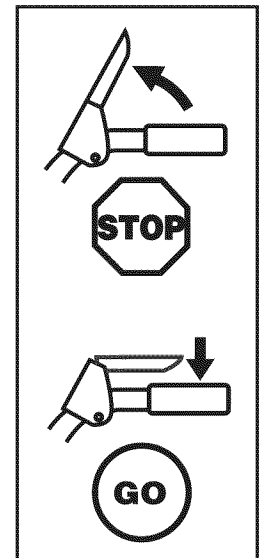


⚠ CAUTION

Always release the drive control before changing speeds. Failure to do so may result in serious damage to your transmission.

Blade Control

Located on the right-hand handle, the blade control is used to engage the mowing deck. To operate, press and hold the lever against the handlebar grip. To stop the blades, release the blade control.



⚠ WARNING

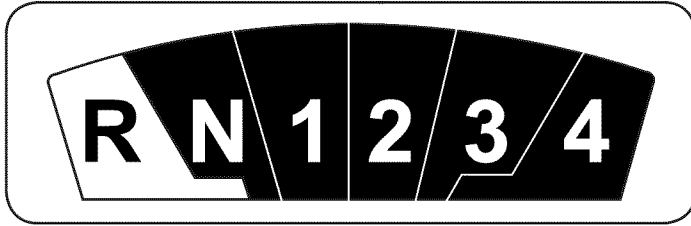
Never attempt to start the engine with the blade control engaged.

⚠ CAUTION

Always release the blade control when starting the engine. Failure to do so may result in premature wear to your engine's electric starter.

KNOW YOUR MOWER

GEAR SHIFT LEVER



Use this lever to select any of four forward ground speeds, neutral, or reverse.

Forward

Four forward speeds are available. Position one (1) is the slowest and position four (4) is the fastest.

Reverse

To select reverse, put the lever in the Reverse (R) position.

⚠ WARNING

Look behind the mower before and during reverse operation. Stop the mower blades before operating in reverse.

Neutral

Place the lever in neutral (N) before starting the mower and when the mower is not in use. In addition, the mower can be manually pushed or pulled by placing the gear shift lever into N (neutral) position and pressing the drive control against the handlebar grip.

⚠ CAUTION

Always release the drive control before changing speeds. Failure to do so may result in serious damage to your transmission.

SYSTEMS INDICATOR MONITOR/HOUR METER

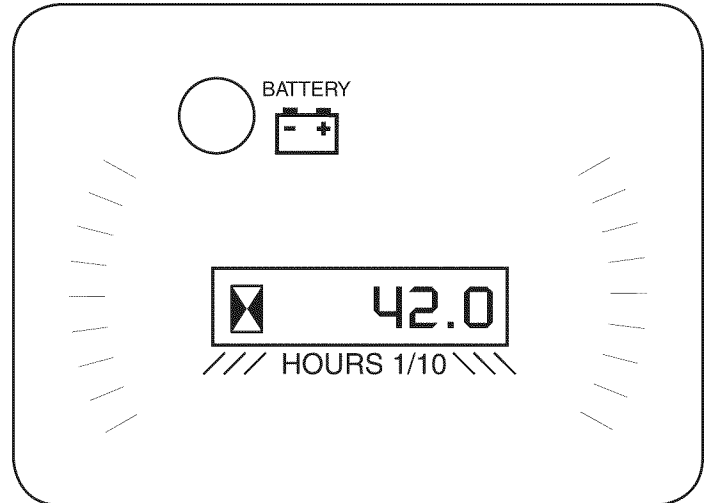


Figure 10

LCD

When the ignition key is rotated out of the **STOP** position but not into the **START** position, the systems indicator monitor displays the battery's output, in volts, on its **LCD** for approximately five seconds, after which it displays an hour glass and the hours of mower operation. Once the engine is started, the monitor continually displays an hour glass and the hours of mower operation on its **LCD**. See Figure 10.

NOTE: Hours of mower operation are recorded any time the ignition key is rotated out of the **STOP** position, regardless of whether the engine is started.

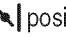




The Indicator Monitor will also remind the operator of maintenance intervals for changing the engine oil. The **LCD** will alternately flash the recorded hours, "**CHG**" and "**OIL**" for five minutes, after every 50 hours of recorded operation elapse. The maintenance interval lasts for two hours (from 50-52, 100-102, 150-152, etc.). The **LCD** will also flash as described above for five minutes every time the mower's engine has been started during this maintenance interval. Before the interval expires, change the engine oil as instructed in the Maintenance section of this Operator's Manual.

Battery

It is normal for the Battery light to illuminate while the engine is cranking during start-up, but if it illuminates during operation, while the engine is running, the battery is in need of a charge or the engine's charging system is not generating sufficient amperage. Charge the battery as instructed in the Service section of this manual or have the charging system checked by Sears or another qualified service dealer.

OPERATION


STARTING THE ENGINE

1. Disengage all controls on the mower.
2. Move the gear shift lever into the neutral (N) position.
3. Insert the key into the ignition switch.
4. If starting a cold engine, place the throttle/choke control all the way forward, into the **CHOKE**  position. If restarting a warm engine, place the throttle/choke control into the **Fast**  position.
5. Turn the ignition key clockwise to the **START**  position. After the engine starts, release the key. It will return to the **RUN**  position.
6. Move the key to the **RUN/LIGHT**  position to operate the mower using the headlight.

CAUTION

Do NOT hold the key in the **START** position for longer than five seconds at a time. Doing so may cause damage to your engine's electric starter.



7. Move the throttle/choke control into the **FAST**  position.

NOTE: Never leave the throttle/choke control in the **CHOKE**  position while operating the mower. Doing so will result in a "rich" fuel mixture and cause the engine to run poorly.

Stopping the Engine

WARNING


If you strike a foreign object, stop the engine and remove the ignition key. Thoroughly inspect the machine for any damage. Repair the damage before restarting and operating.

1. If the blades are engaged, release the Blade Control.
2. Move the throttle/choke control into the **STOP**  position.
3. Turn the ignition key counterclockwise to the **STOP**  position.
4. Remove the key from the ignition switch to prevent unintended starting.

ENGAGING THE DRIVE

WARNING

Avoid sudden starts, excessive speed and sudden stops.

Start the engine as instructed earlier in this section and move the throttle/choke control into the **FAST**  position.

To travel **FORWARD**:

- a. Place the gear shift lever in any of the four forward ground speeds. Select a speed appropriate for the conditions and a pace you're comfortable with.
- b. Slowly squeeze the Drive Control against the left handle grip and the mower will move. Release it and drive motion will stop.

To travel in **REVERSE**,

- a. Check that the area behind is clear.
- b. Place the gear shift lever in Reverse (R).
- c. Slowly squeeze the Drive Control against the left handle grip and the mower will move. Release it and drive motion will stop.

CAUTION

Do NOT attempt to change the direction of travel when the mower is in motion. Always release the drive control and bring the mower to a complete stop before repositioning the gear shift lever from a forward gear into Reverse. Failure to do so may result in serious damage to your transmission.


WARNING

Do not leave the operator's position without first releasing the Blade Control. If leaving the mower unattended, also turn the engine off and remove the ignition key.

ENGAGING THE BLADES

WARNING

To help avoid blade contact or a thrown object injury, keep bystanders, helpers, children and pets at least 75 feet from the machine while it is in operation. Stop machine if anyone enters the area.

1. Move the throttle/choke control to the **FAST**  position.
2. Slowly squeeze the Blade Control against the right handle grip and the blades will engage. Release it and the blades will stop.

OPERATING ON SLOPES

Refer to the SLOPE GUIDE on page 7 to help determine slopes where you may operate the mower safely.

WARNING

Do not mow on inclines with a slope in excess of 15 degrees (a rise of approximately 2-1/2 feet every 10 feet). The mower could overturn and cause serious injury.

- Mow across the face of slopes; never up and down.
- Exercise extreme caution when changing direction on slopes.
- Watch for holes, ruts, rocks, hidden objects, or bumps which can cause you to slip or trip. Tall grass can hide obstacles.
- Always be sure of your footing. A slip and fall can cause serious personal injury. If you feel you are losing your balance, release the blade control handle immediately and the blade will stop rotating within three (3) seconds.
- Do not mow near drop-offs, ditches or embankments, you could lose your footing or balance.
- Do not mow slopes greater than 15 degrees as shown on the slope gauge.
- Do not mow on wet grass. Unstable footing could cause slipping.

OPERATION

USING THE DECK HEIGHT LEVER


To raise or lower the cutting deck, move the deck height lever to the left, then place it in the notch best suited for your application.

MOWING

The following information will be helpful when operating your mower.

⚠ WARNING

Plan your mowing pattern to avoid discharge of materials toward roads, sidewalks, bystanders. Also, avoid discharging material against a wall or obstruction which may cause discharged material to ricochet back toward the operator.


- Do not mow at fast ground speeds, especially if a mulch kit or grass collector is installed.
- Do not cut the grass too short. Short grass is prone to weed growth and yellows quickly in dry weather.
- Always operate the mower with the throttle/choke control in the **FAST**  position while mowing.
- For best results it is recommended that the first two laps be cut with the discharge thrown towards the center. After the first two laps, reverse the direction to throw the discharge to the outside for the balance of cutting. This will give a better appearance to the lawn.
- Do NOT attempt to mow heavy brush and weeds or extremely tall grass. Your mower is designed to mow lawns, NOT clear brush.
- Keep the blades sharp and replace the blades when worn.

⚠ WARNING

After striking a foreign object, stop the engine, disconnect the spark plug wire and ground against the engine. Thoroughly inspect the mower for any damage. Always inspect the blade timing belt as instructed in the Maintenance section of this manual. Repair the damage before starting and operating the mower.

MULCHING

The Craftsman Pro Wide Cut mower is equipped with a mulch kit (supplied with the mower), which uses special blades to recirculate grass clippings repeatedly beneath the cutting deck. The ultra-fine clippings are then forced back into the lawn where they act as a natural fertilizer. Observe the following points for the best results when mulching.

- Never attempt to mulch if the lawn is damp. Wet grass tends to stick to the underside of the cutting deck preventing proper mulching of the clippings.
- Do NOT attempt to mulch more than 1/3 the total height of the grass. Doing so will cause the clippings to clump up beneath the deck and not be mulched effectively.
- Maintain a slow ground speed to allow the grass clippings more time to effectively be mulched.
- Always keep the throttle control lever in the **FAST**  position while mowing. Failing to keep the engine at full throttle places strain on the mower's engine and does not allow the blades to properly mulch the grass clippings.

INSTALLING/REMOVING MULCH BAFFLE

⚠ WARNING

Before installing or removing the mulch baffle, disengage blades, stop the engine and remove key to prevent unintended starting.

Stop the engine and wait for all parts to stop moving.

Installing the Mulch Baffle

1. Insert the right-side tab (A) of the baffle into the bracket on the deck. See Figure 12.
2. Insert the mulch baffle into the discharge opening (B). See Figure 12.
3. Once it's positioned in the deck opening, push the baffle towards the rear of the mower (C) to secure it in place. See Figure 12.

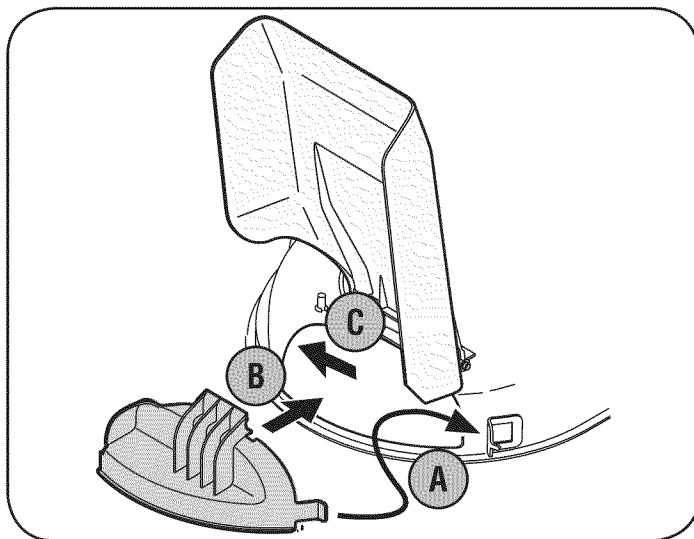


Figure 12

Removing the Mulch Baffle

Slide the baffle to the right (toward the front of the mower) to disengage the slot from the mower deck and then pry the left-side of the baffle outward.

SERVICE AND MAINTENANCE

MAINTENANCE SCHEDULE

Interval	Item	Service	Service Log
1st 5 hours	1. Engine oil	1. Change	
Every 8 hours or Daily	1. Mower blades 2. Loose or missing hardware 3. Belts 4. Engine oil level 5. Controls 6. Mulch plug (if fitted)	1. As required 2. Tighten or replace 3. Check 4. Check 5. Check for proper operation 6. Check for proper plug installation	
25 hours	1. Air filter/pre-cleaner† 2. Mower blades 3. Control linkages and pivots	1. Clean* 2. Sharpen and balance 3. Lube with light oil	
50 hours	1. Engine Oil 2. Front Wheel Bearings	1. Change 2. Grease	
Annually	1. Spark plug 2. Air Filter 3. Pre-cleaner† 4. Rear Wheels	1. Replace 2. Replace 3. Replace 4. Grease	
Before Storage	1. Fuel system	1. Run engine until it stops from lack of fuel or add a gasoline additive to the gas in the tank.	

† If Equipped

* In dusty conditions or when airborne debris is present, clean more often

SERVICE AND MAINTENANCE

MAINTENANCE

⚠ WARNING

Before performing any maintenance or repairs, disengage blades, stop engine and remove key to prevent unintended starting.

GENERAL RECOMMENDATIONS

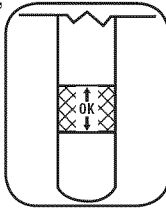
- Always observe safety rules when performing any type of maintenance on the mower.
- The warranty on this lawn mower does not cover items that have been subjected to operator abuse or negligence. To receive full value from warranty, operator must maintain the lawn mower as instructed in this manual.
- Changing of engine-governed speed will void engine warranty.
- All adjustments should be checked at least once each season.
- Periodically check all fasteners and make sure they are tight.

ENGINE MAINTENANCE

Checking the Engine Oil

Check oil level before each use. Stop engine and wait several minutes before checking oil level. With engine on level ground, the oil must be to FULL mark on dipstick.

1. Remove the Oil Cap/Dipstick and wipe with a clean cloth.
2. Replace and tighten Oil Cap/Dipstick. Remove Oil Cap/Dipstick and check oil level. Level should be at **FULL** mark.
3. If needed, add oil slowly into the engine oil fill. Recheck oil level. Do not overfill.
4. Reinsert Oil Cap/Dipstick and tighten.



⚠ CAUTION

Do not overfill. Overfilling with oil may make the engine hard to start, or not to start. If over the **FULL** mark on the dipstick, drain oil level to **FULL** mark on dipstick.

Changing the Engine Oil

⚠ WARNING

If the engine has been recently run, the engine, muffler and surrounding metal surfaces will be hot and can cause burns to the skin. Exercise caution to avoid burns.

The oil in the engine should be changed after the first five hours of operation and every 50 hours of operation.

1. Run the engine for a few minutes to allow the oil in the crankcase to warm up. Warm oil will flow more freely and carry away more of the engine sediment which may have settled at the bottom of the crankcase. Use care to avoid burns from hot oil.

2. To gain access to the oil drain valve on the engine, pivot the right handle brace tube forward.
 - a. Remove the upper star knob and carriage screw on the right side of the handle, Figure 13.
 - b. Pivot the brace tube towards the front of the mower to allow room to connect the oil drain hose to the oil drain valve, Figure 13.

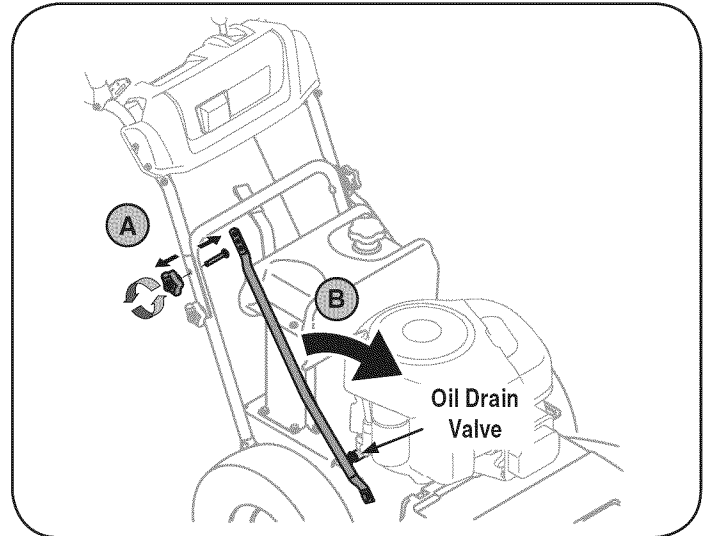


Figure 13

3. Pop off the protective cap on the end of the oil drain valve to expose the drain port. See Figure 14.

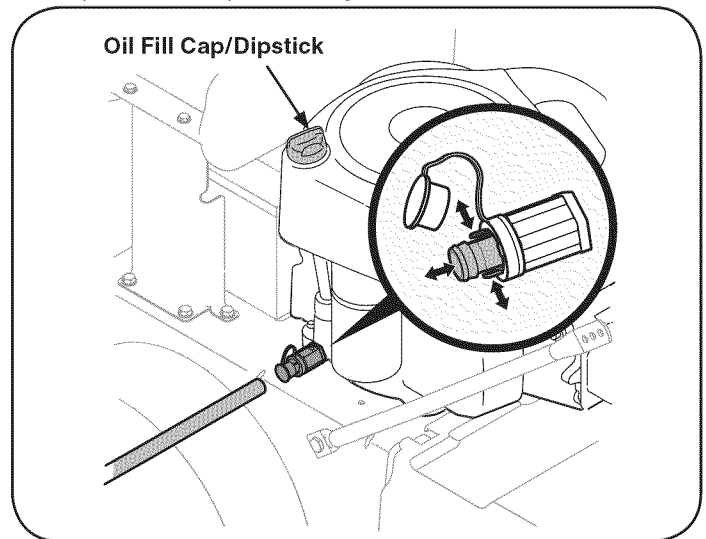


Figure 14

4. Remove the oil fill cap/dipstick from the oil fill tube, Figure 14.
5. Push the oil drain hose (packed with this manual) onto the oil drain port. Route the opposite end of the hose into an appropriate oil collection container with at least a 2.5 quart capacity, to collect the used oil.

SERVICE AND MAINTENANCE

6. Release the valve by pressing the two tabs inward while pulling the valve out. The oil will begin to drain out of the engine.
7. After the oil has finished draining, press the two tabs inward and push the oil drain valve back in to lock the valve closed. Remove the hose, and re-cap the end of the oil drain valve to keep debris from entering the drain port.
8. Refill the engine with new motor oil until the oil level on the dipstick reads FULL. Replace the oil fill cap/dipstick.
9. Pivot the right handle brace tube back into position. Align the middle hole in the brace tube with the hole in the handle. Secure with the star knob and carriage screw removed earlier.

Checking the Spark Plug

Clean spark plug and reset the electrode gap to 0.030" at least once a season; replace annually.

1. Clean area around the spark plug base. Do not sandblast spark plug. Spark plug should be cleaned by scraping or wire brushing and washing with a commercial solvent
2. Remove and inspect the spark plug. Check gap to make sure it is set at .030". See Figure 15.

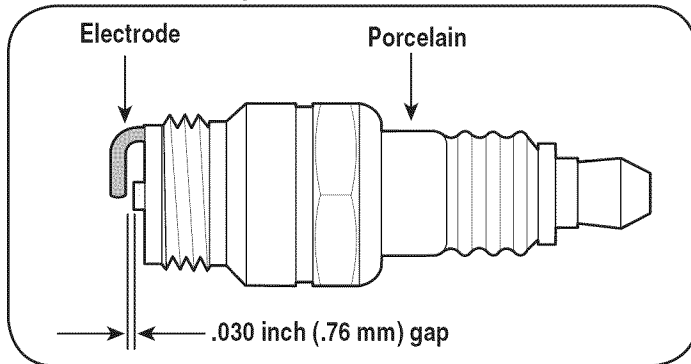


Figure 15

3. Replace the spark plug if electrodes are pitted, burned, or the porcelain is cracked. Use a Champion® RC12YC spark plug.

Servicing the Air Filter

⚠ WARNING

If filters, or covers are not installed correctly serious injury or death could result from backfire. Do not attempt to start the engine with them removed.

⚠ CAUTION

Do not use pressurized air or solvents to clean the air filter cartridge.

Clean or replace the air filter every 25 hours of operation.

1. Pull up on the cover handle. Rotate the cover handle toward the engine and remove the cover. See Figure 16.

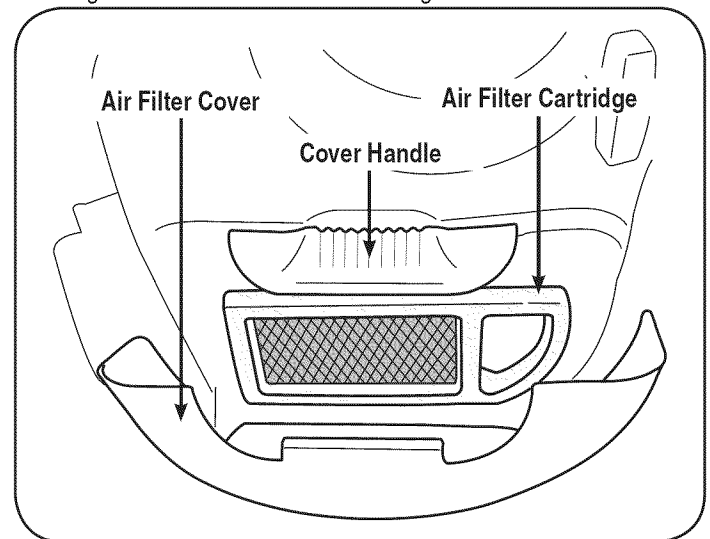


Figure 16

2. Carefully remove air cleaner cartridge and pre-cleaner (if equipped) from the blower housing.
3. To loosen debris, gently tap the filter on a hard surface. If the filter is excessively dirty, replace with a new filter.
4. Wash the pre-cleaner in liquid detergent and water and allow it to thoroughly dry. DO NOT oil the pre-cleaner.
5. Place the dry pre-cleaner, if equipped, and cartridge back into the blower housing. The cartridge must be placed securely into position.
6. Align tabs on cover with slots in blower housing. Rotate the cover handle back and push down to lock in place.

SERVICE AND MAINTENANCE

BATTERY

⚠ WARNING

Battery posts, terminals, and related accessories contain lead and lead compounds, chemicals known to the State of California to cause cancer and reproductive harm. Wash hands after handling.

The battery is sealed and is maintenance-free. Acid levels cannot be checked and fluid can not be added.

- Always keep the battery cables and terminals clean and free of corrosive build-up.
- After cleaning the battery and terminals, apply a light coat of petroleum jelly or grease to both terminals.

⚠ CAUTION

If removing the battery for cleaning, disconnect the **NEGATIVE (Black)** wire from its terminal first, followed by the **POSITIVE (Red)** wire. When re-installing the battery, always connect the **POSITIVE (Red)** wire its terminal first, followed by the **NEGATIVE (Black)** wire. Be certain that the wires are connected to the correct terminals; reversing them could result in serious damage to your engine's alternating system.

TIRE PRESSURE

⚠ WARNING

Maximum tire pressure under any circumstances is 30 psi. Equal tire pressure should be maintained at all times.

Periodically check the pressure on both your mower's rear tires. Uneven tire pressure will cause the cutting deck to mow unevenly and may result in mower to veering to either the left or right during operation. Recommended operating tire pressure is approximately 20 p.s.i. Check the sidewall of tire for maximum p.s.i.

CLEANING THE MOWER

Any fuel or oil spilled on the machine should be wiped off promptly. Do NOT allow debris to accumulate around the cooling fins of the engine, the transmission's cooling fan or on any other part of the machine, especially the belts and pulleys.

Smart Jet

Your mower's deck is equipped with a water port on its surface as part of its deck wash system.

Use the Smart Jet to rinse grass clippings from the deck's underside and prevent the buildup of corrosive chemicals. Complete the following steps **AFTER EACH MOWING**:

⚠ WARNING

Before using the deck wash system, always disengage the Blade Control, stop engine and remove key to prevent unintended starting.

1. Position the mower on a level, clear spot on your lawn, near enough for your garden hose to reach.

⚠ CAUTION

Make certain the mower's discharge chute is directed **AWAY** from your house, garage, parked cars, etc.

2. Thread the hose coupler (packaged with your mower's Operator's Manual) onto the end of your garden hose.
3. Attach the hose coupler to the water port on the deck surface. See Figure 17.

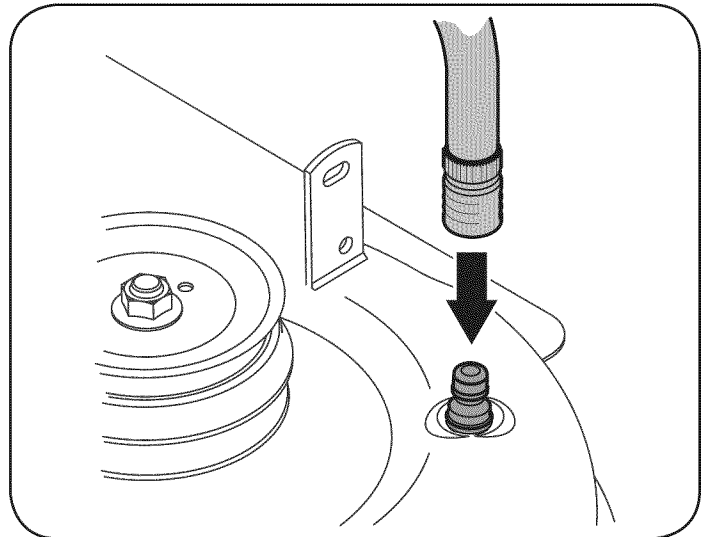




Figure 17

4. Turn the water on.
5. Start the engine and place the throttle lever in the **FAST**  position.
6. While in the operator's position behind the mower, move the Blade Control into the **ON** position.
7. Remain in the operator's position with the cutting deck engaged for a minimum of two minutes, allowing the underside of the cutting deck to thoroughly rinse.
8. Move the Blade Control into the **OFF** position.
9. Turn the ignition key to the **STOP**  position to turn the mower's engine off.
10. Turn the water off and detach the hose coupler from the water port on your deck's surface.

After cleaning your deck with the Smart Jet system, start the mower's engine, return to the operator's position and engage the blades. Keep the cutting deck running for a minimum of two minutes, allowing the underside of the cutting deck to thoroughly dry.

LUBRICATION

⚠ WARNING

Before lubricating, repairing, or inspecting, always disengage PTO, set parking brake, stop engine and remove key to prevent unintended starting.

SERVICE AND MAINTENANCE

Pivot Points & Linkage

Lubricate all the pivot points on the drive system and lift linkage at least once a season with light oil.

Rear Wheels

The rear wheels should be removed from the axles once a season. Lubricate the axles and rim hubs well with an all-purpose grease before reinstalling them.

Front Wheels

Each of the front wheel axles and casters is equipped with a grease fitting. See Figure 18. Lubricate with a No. 2 multi-purpose grease applied with a grease gun after every 50 hours of mower operation.

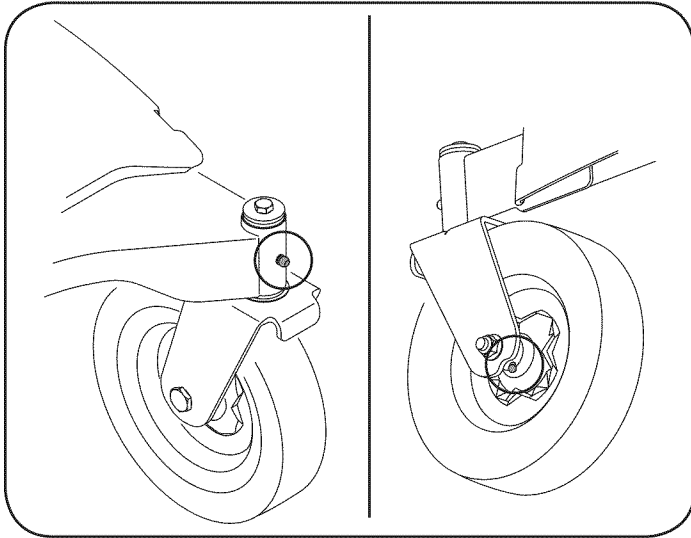


Figure 18

BLADE TIMING BELT

The cutting deck spindles are driven by a timing (cogged) belt, assuring that the deck blades are always perpendicular to each other. At least once a season, or after striking any foreign object, check the timing belt as follows:

1. Remove the belt cover by removing the three screws and washers which secure it to the frame. See Figure 19.

⚠ WARNING

Do not operate mower without the belt cover installed. Failure to follow this instruction could result in personal injury or property damage.

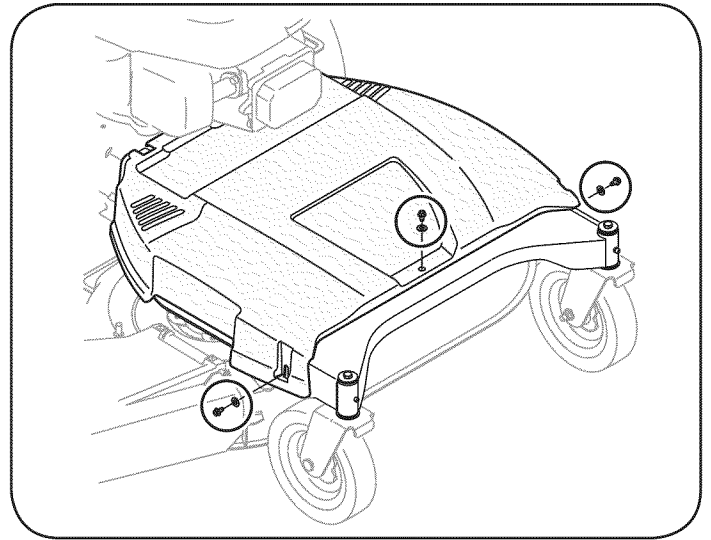


Figure 19

2. The top of each spindle pulley is marked with an arrow. See Figure 20. The arrows should be perpendicular (at a 90° angle) to each other.

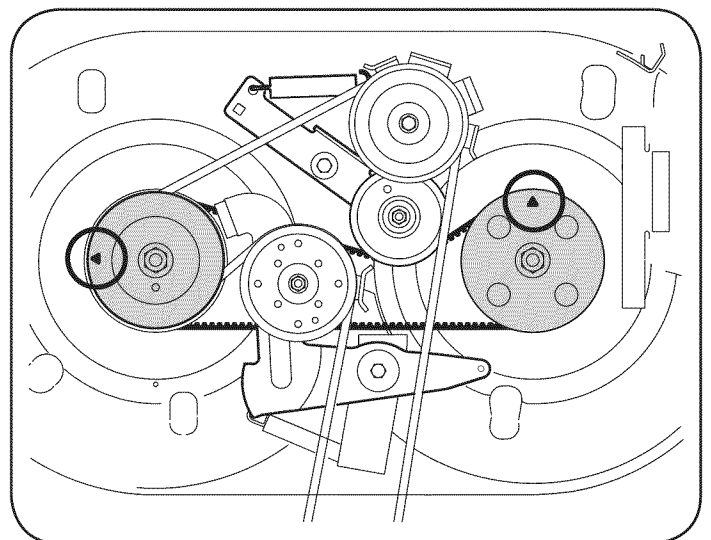


Figure 20

SERVICE AND MAINTENANCE

- If the arrows on the surface of each spindle pulley are not perpendicular (at a 90° angle) to each other, see your Sears or other qualified service dealer to have the timing belt reset.

⚠ WARNING

Do not operate the machine without the deck's timing belt properly set. Failure to follow this instruction could result in personal injury or property damage.

ADJUSTMENTS

⚠ WARNING

Shut the engine off and remove the ignition key before making adjustments.

Handle Height

The upper handle is secured to two support bars that can be adjusted to raise or lower the handle height. Adjust if necessary as follows:

- Remove the upper star knob and carriage screw on the right side of the handle and the left side of the handle.
See Figure 21.

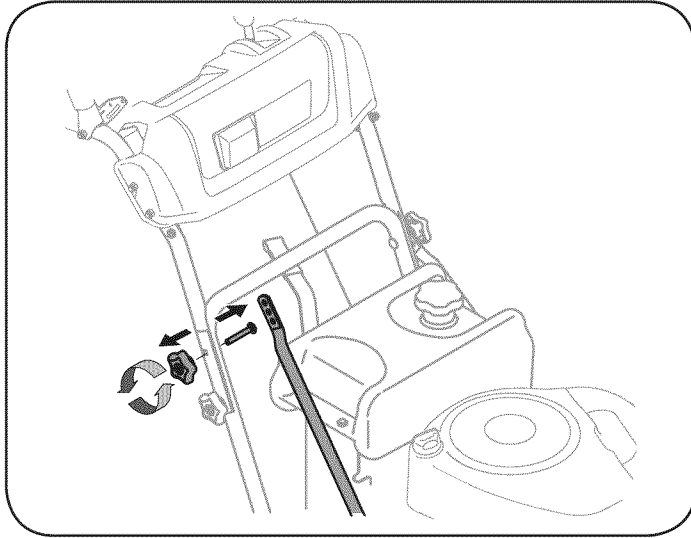


Figure 21

- Pivot the handle forward or rearward to align one of the three holes on each support bar with the holes on the handle.
- Reinstall the upper star knob and carriage screw on the right side of the handle and the left side of the handle when a comfortable height is achieved.

CUTTING DECK REMOVAL

⚠ WARNING

Before performing any maintenance or repairs, disengage blades, stop engine and remove key to prevent unintended starting.

To remove the cutting deck, proceed as follows:

- Remove the belt cover by removing the three screws and washers which secure it to the frame. See Figure 22.

⚠ WARNING

Do not operate mower without the belt cover installed. Failure to follow this instruction could result in personal injury or property damage.

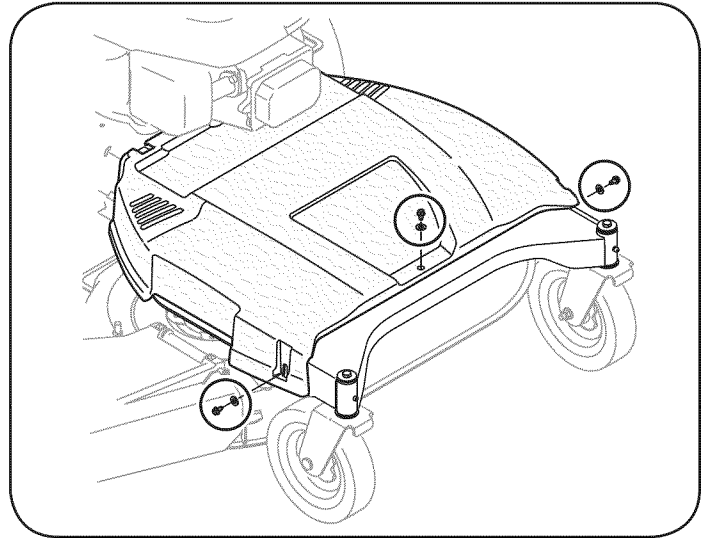


Figure 22

- Place the deck height lever in its highest position.
- Position wood blocks at various places under the deck's edge. These will temporarily support the deck in the process of removing it.
- Use the deck height lever to lower the deck, so that it rests on the wood blocks.

SERVICE AND MAINTENANCE

5. Remove the screw and flange nut which secures the belt keeper rod to the left side of the mower's frame. See Figure 23.

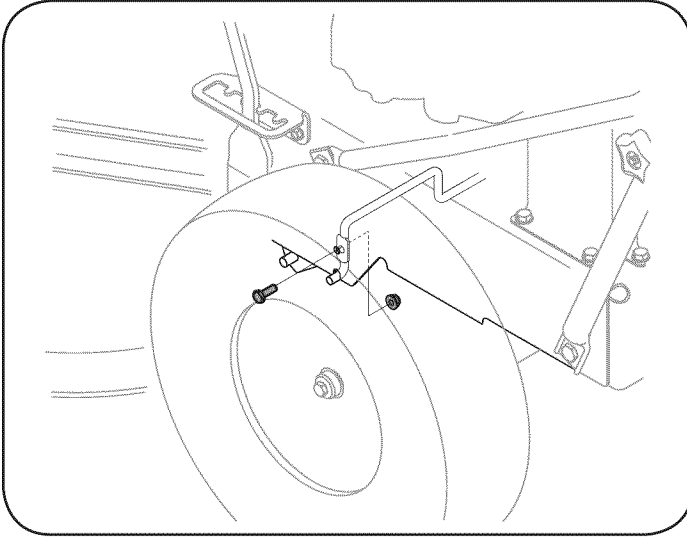


Figure 23

6. Remove the belt keeper rod and remove the deck belt from around the mower's engine pulley.
7. Looking at the cutting deck from the left side, locate and carefully remove the hairpin clips that secure the deck supports on the rear left side and front left side of the deck. See Figure 24.

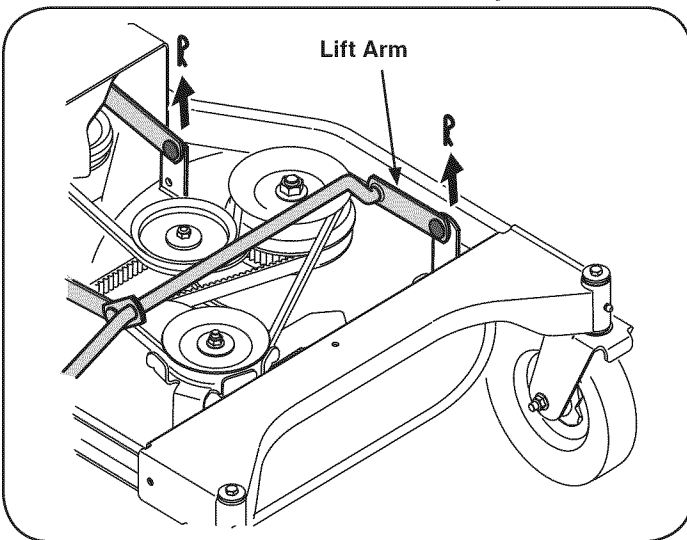


Figure 24

8. Repeat the previous step on the mower's right side.
9. Carefully remove the front deck supports from the deck lift arms, Figure 25.

10. Carefully unhook the mower's lift assembly from the rear deck supports.
11. Use the deck height lever to raise the lift assembly to its highest position.
12. Remove the wooden blocks from under the deck and gently slide the cutting deck toward the rear of the machine.
13. Pull the click pin out and unhook the drive spring cable from the idler arm assembly. See Figure 25.

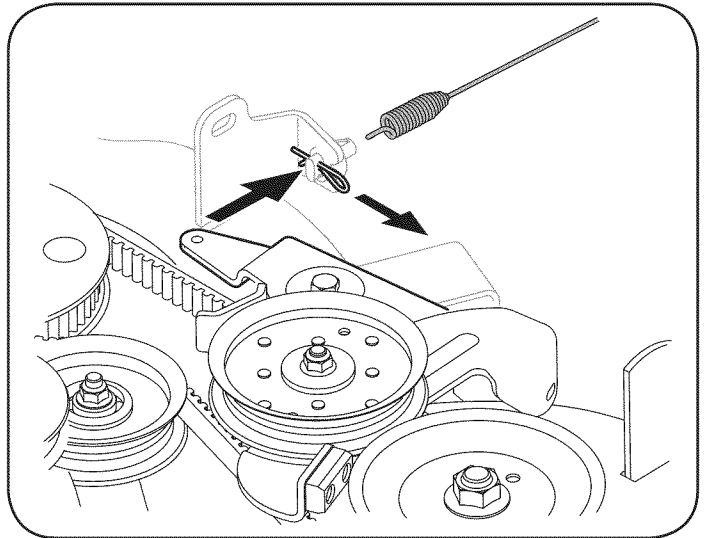


Figure 25

14. Gently slide the cutting deck to the right, out from beneath the mower. To install the cutting deck, follow the above steps in the opposite order and manner of removal.

SERVICE AND MAINTENANCE

CUTTING BLADES

⚠ WARNING

Shut the engine off and remove ignition key before removing the cutting blade(s) for sharpening or replacement. Protect your hands by using heavy gloves when grasping the blade.

⚠ WARNING

Periodically inspect the blade and/or spindle for cracks or damage, especially after you've struck a foreign object. Do not operate the machine until damaged components are replaced.

To remove the blades, proceed as follows.

1. Remove the deck from beneath the mower, (refer to Cutting Deck Removal earlier in this section) then gently flip the deck over to expose its underside.
2. Place a block of wood between the center deck housing baffle and the cutting blade to act as a stabilizer. See Figure 26.

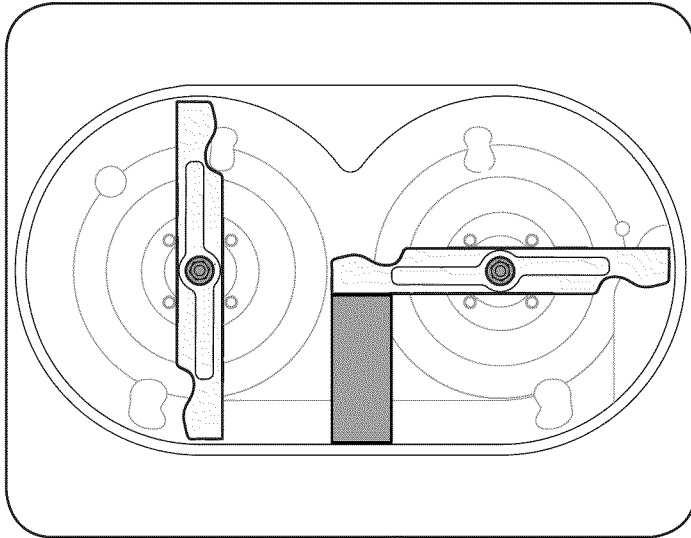


Figure 26

3. Remove the hex flange nut that secures the blade to the spindle assembly. See Figure 26.

4. To properly sharpen the cutting blades, remove equal amounts of metal from both ends of the blades along the cutting edges, parallel to the trailing edge, at a 25°- to 30° angle. Always grind each cutting blade edge equally to maintain proper blade balance. See Figure 27.

⚠ CAUTION

If the cutting edge of the blade has previously been sharpened, or if any metal separation is present, replace the blades with new ones.

⚠ WARNING

A poorly balanced blade will cause excessive vibration, may damage to the mower and/or result in personal injury.

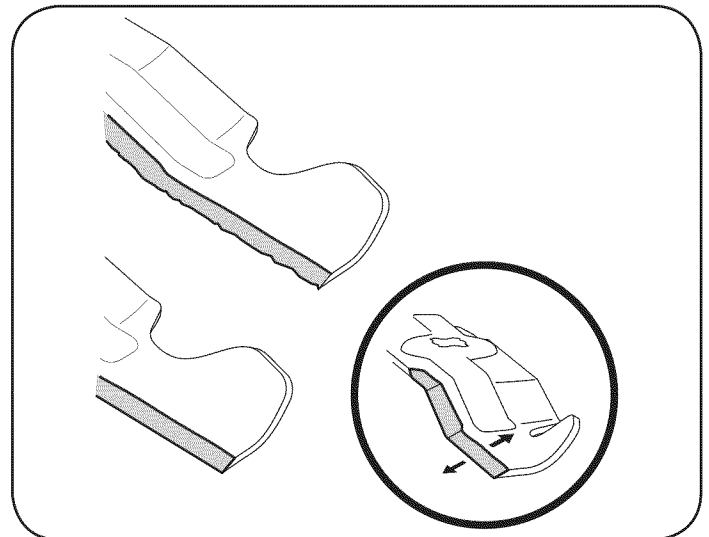


Figure 27

5. Test the blade's balance using a blade balancer. Grind metal from the heavy end until the blade balances evenly.

NOTE: When replacing the blade, be sure to install the blade with the side of the blade marked "Bottom" (or with a part number stamped in it) facing the ground when the mower is in the operating position.

⚠ CAUTION

Use a torque wrench to tighten the blade spindle hex flange nut to between 70 lbs-ft and 90 lbs-ft.

⚠ CAUTION

The cutting blades **must** be installed perpendicular to each other. If the blades cannot be installed perpendicular to each other, the blade timing belt must be reset. See your Sears or other qualified service dealer to have the deck timing belt reset.

SERVICE AND MAINTENANCE

TRAIL SHIELD

⚠ WARNING

Never operate the mower without the trail shield in place and working. Failure to do so can result in personal injury.

To replace the trail shield, proceed as follows:

1. Remove the screw which secures the trail shield to the right side of the mower. See Figure 28.

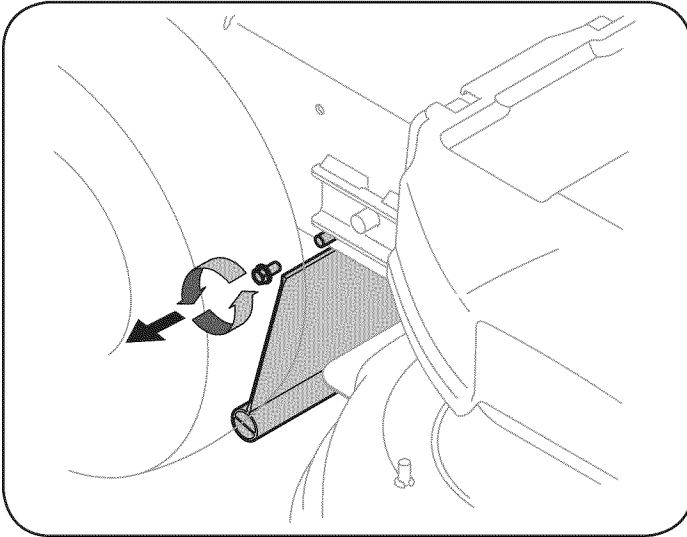


Figure 28

2. Bow the trail shield inward on each side to release it from the mower frame.
3. Install the replacement trail shield by following the steps above in the opposite order and manner of removal.

BATTERY

⚠ WARNING

Battery posts, terminals, and related accessories contain lead and lead compounds, chemicals known to the State of California to cause cancer and reproductive harm. Wash hands after handling.

⚠ CAUTION

If removing the battery, disconnect the NEGATIVE (Black) wire from its terminal first, followed by the POSITIVE (Red) wire. When re-installing the battery, always connect the POSITIVE (Red) wire its terminal first, followed by the NEGATIVE (Black) wire.

Jump Starting

⚠ WARNING

Never jump start a damaged or frozen battery. Be certain the vehicles do not touch, and ignitions are off. Do not allow cable clamps to touch.

1. Connect positive (+) cable to positive post (+) of your mower's discharged battery.
2. Connect the other end of the cable to the (positive +) post of the jumper battery.
3. Connect the second cable (negative -) to the other post of the jumper battery.
4. Make the final connection on the engine block of the mower, away from the battery. Attach to an unpainted part to assure a good connection.

⚠ CAUTION

If the jumper battery is installed on a vehicle (i.e. car, truck), do NOT start the vehicle's engine when jump starting your mower.

5. Start the mower (as instructed in the Operation section of this manual).
6. Remove the jumper cables in reverse order of connection.

Charging

⚠ WARNING

Batteries give off an explosive gas while charging. Charge the battery in a well ventilated area and keep away from an open flame or pilot light as on a water heater, space heater, furnace, clothes dryer or other gas appliances.

⚠ WARNING

When charging your mower's battery, use only a charger designed for 12V lead-acid batteries. Read your battery charger's Owner's Manual prior to charging your mower's battery. Always follow its instructions and heed its warnings.

If your mower has not been put into use for an extended period of time, charge the battery as follows:

1. Set your battery charger to deliver a max of 10 amperes.
2. If your battery charger is automatic, charge the battery until the charger indicates that charging is complete. If the charger is not automatic, charge for at least eight hours.

SERVICE AND MAINTENANCE

CHANGING THE DECK ENGAGEMENT BELT

⚠ WARNING

Shut the engine off and remove ignition key before removing the cutting blade(s) for sharpening or replacement. Protect your hands by using heavy gloves when grasping blades and pulleys.

⚠ WARNING

The V-belts found on your mower are specially designed to engage and disengage safely. A substitute (non-OEM) V-belt can be dangerous by not disengaging completely. For a proper working machine, use identical replacement belts as listed in parts list of this operator's manual.

All belts on your mower are subject to wear and should be replaced if any signs of wear are present. To change or replace the deck engagement belt on your mower, proceed as follows:

1. Remove the cutting deck from the mower as instructed earlier in this section.

⚠ WARNING

Avoid pinching injuries. Never place your fingers on the idler spring or between the belt and a pulley while removing the belt

2. Remove the belt cover as instructed earlier in this section. Refer to Figure 19 on page 22.
3. Remove the belt keeper as instructed earlier in this section. Refer to Figure 23 on page 24.
4. Loosen, but not remove, the nut and bolt which secures each deck idler pulley. See Figure 29.

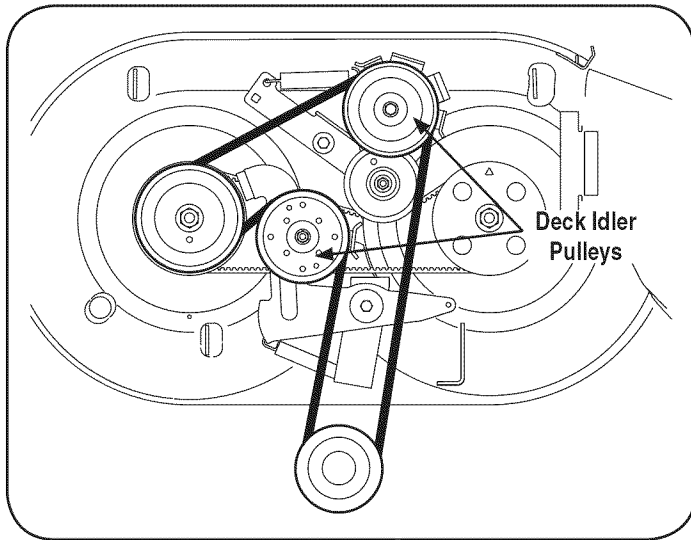


Figure 29

5. Remove the belt from around all pulleys.
6. Route the new belt as illustrated in Figure 30.
7. Retighten the nuts and bolts which secure each idler pulley.
8. Reattach the belt keeper and belt cover.

CHANGING THE DECK TIMING BELT

Several components must be removed and special tools used in order to change the mower deck's timing belt. See your Sears or other qualified service dealer to have the deck timing belt replaced.

CHANGING THE TRANSMISSION DRIVE BELT

Several components must be removed and special tools used in order to change the mower's transmission drive belt. See your Sears or other qualified service dealer to have the transmission drive belt replaced.

FUSE

⚠ WARNING

Before servicing, repairing, or inspecting, always disengage blades, stop engine and remove key to prevent unintended starting.

A 20 Amp fuse is installed in your mower's wiring harness to protect the mower's electrical system from damage caused by excessive amperage.

If the electrical system does not function, or your mower's engine will not crank, first check to be certain that the fuse has not blown. It is located near the battery.

⚠ CAUTION

Always use a replacement fuse with the same amperage capacity as the blown fuse.

OFF-SEASON STORAGE

WARNING

Never store lawn mower with fuel in tank indoors or in poorly ventilated areas where fuel fumes may reach an open flame, spark, or pilot light as on a furnace, water heater, clothes dryer, or gas appliance.

PREPARING THE ENGINE

For engines stored over 30 days:

1. To prevent gum from forming in fuel system or on carburetor parts, run engine until it stops from lack of fuel or add a gasoline additive to the gas in the tank. If you use a gas additive, run the engine for several minutes to circulate the additive through the carburetor—after which the engine and fuel can be stored up to six months.
2. While engine is still warm, change the oil.
3. Remove spark plug and pour approximately 1 oz. (30 ml) of clean engine oil into the cylinder. Pull the recoil starter several times to distribute the oil, and reinstall the spark plug.
4. Clean engine of surface debris.

PREPARING THE LAWN MOWER

- When storing the mower in an unventilated or metal storage shed, care should be taken to rustproof the non-painted surfaces. Using a light oil or silicone, coat the equipment, especially any springs, bearings, and cables.
- Remove all dirt from exterior of engine and equipment.
- Follow lubrication recommendations.
- Store equipment in a clean, dry area. Do not store in an area where equipment is present that may use a pilot light or has a component that can create a spark.

ACCESSORIES AND ATTACHMENTS

The following attachments and accessories are available for the lawn mower. Contact a Sears Service Center 1-800-4-MY-HOME® for more information.

PART NO.	DESCRIPTION
33731	Bagger Grass Collector

TROUBLESHOOTING

WARNING

Before performing any type of maintenance/service, disengage all controls and stop the engine. Wait until all moving parts have come to a complete stop. Disconnect spark plug wire and ground it against the engine to prevent unintended starting. Always wear safety glasses during operation or while performing any adjustments or repairs.

Problem	Cause	Remedy
Engine fails to start	<ol style="list-style-type: none"> 1. Choke not activated 2. Throttle/choke control not in correct position 3. Spark plug wire disconnected 4. Faulty spark plug 5. Fuel tank empty or stale fuel 6. Blocked fuel line 	<ol style="list-style-type: none"> 1. Place throttle/choke control lever into choke position. 2. Place throttle/choke lever into fast position. 3. Connect wires to spark plug. 4. Clean, adjust gap, or replace. 5. Fill tank with clean, fresh gasoline. 6. Have fuel line cleaned by a Sears service dealer.
Engine runs erratically	<ol style="list-style-type: none"> 1. Unit running with choke applied 2. Spark plug wire loose 3. Stale fuel 4. Water or dirt in fuel system 5. Dirty air cleaner 	<ol style="list-style-type: none"> 1. Move throttle/choke lever out of choke position. 2. Connect and tighten spark plug wire. 3. Fill tank with fresh gasoline. 4. Drain fuel. Refill with fresh fuel. 5. Replace air cleaner cartridge.
Engine overheats	<ol style="list-style-type: none"> 1. Engine oil level low 2. Air flow restricted 	<ol style="list-style-type: none"> 1. Fill engine with proper amount and type of oil. 2. Clean grass clippings and debris from around the engine's cooling fins and blower housing.
Engine hesitates at high RPMs	<ol style="list-style-type: none"> 1. Spark plug gap set too close 	<ol style="list-style-type: none"> 1. Remove spark plug and adjust gap.
Engine idles poorly	<ol style="list-style-type: none"> 1. Fouled spark plug 2. Dirty air cleaner 	<ol style="list-style-type: none"> 1. Replace spark plug and adjust gap. 2. Replace air cleaner cartridge.
Excessive vibration	<ol style="list-style-type: none"> 1. Cutting blades loose or unbalanced 2. Damaged, dull, or bent cutting blade 3. Loose hardware 	<ol style="list-style-type: none"> 1. Tighten blade and spindle. Balance blade. 2. Replace blade. 3. Tighten all nuts and bolts.
Unit fails to propel itself	<ol style="list-style-type: none"> 1. Drive belt loose or damaged 	<ol style="list-style-type: none"> 1. Replace drive belt.
Poor mowing performance	<ol style="list-style-type: none"> 1. Dull blade(s) 2. Broken, loose, or worn belt(s) 3. Blade(s) out of balance 	<ol style="list-style-type: none"> 1. Sharpen or replace blade(s). 2. Replace belt(s). 3. Balance or replace blade(s).

NEED MORE HELP?

You'll find the answer and more on managemylife.com – for free!

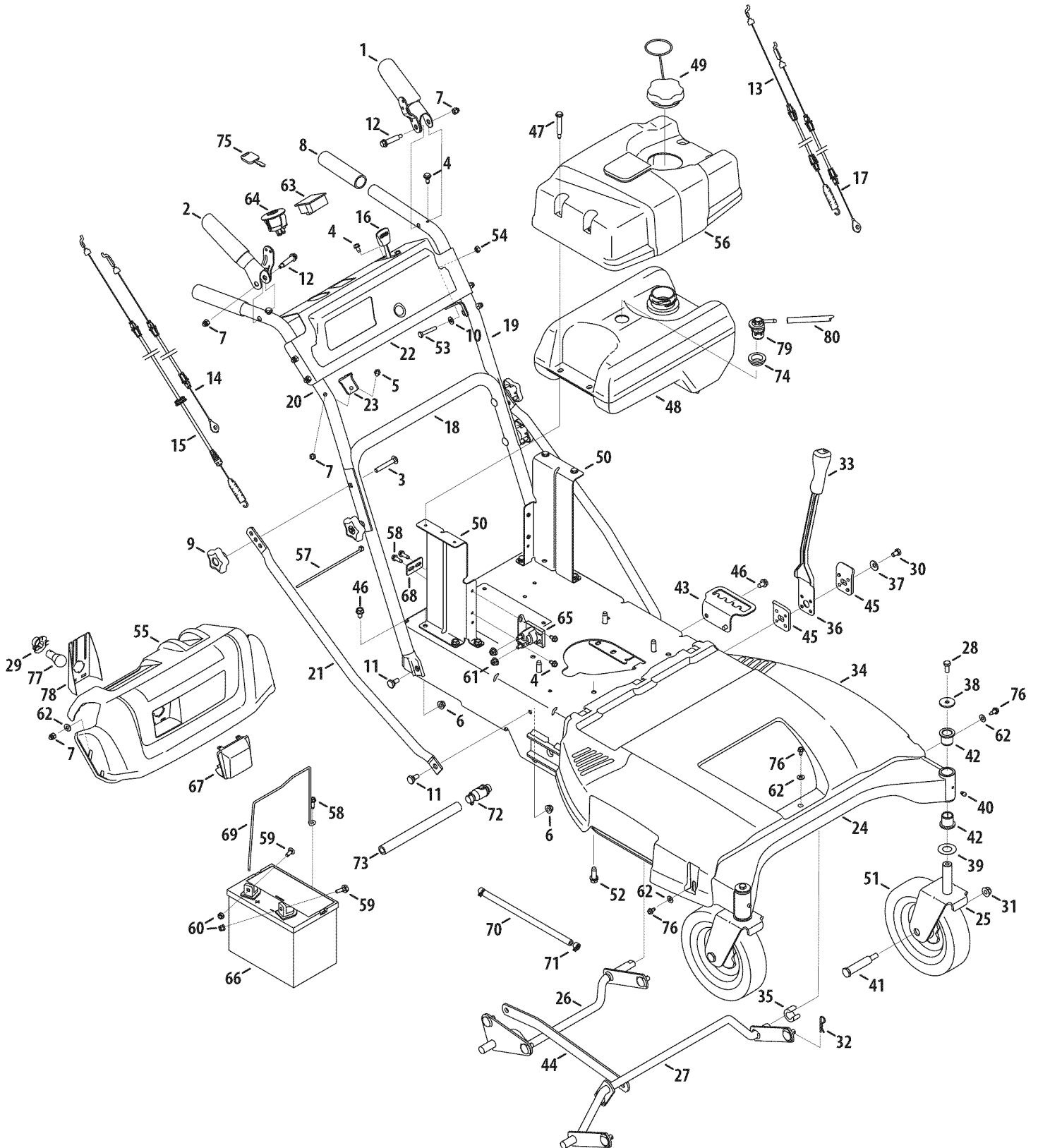
- Find this and all your other product manuals online.
- Get answers from our team of home experts.
- Get a personalized maintenance plan for your home.
- Find information and tools to help with home projects.



brought to you by Sears

PARTS LIST

Craftsman 33-inch Wide Cut Mower — Model No. 247.889981



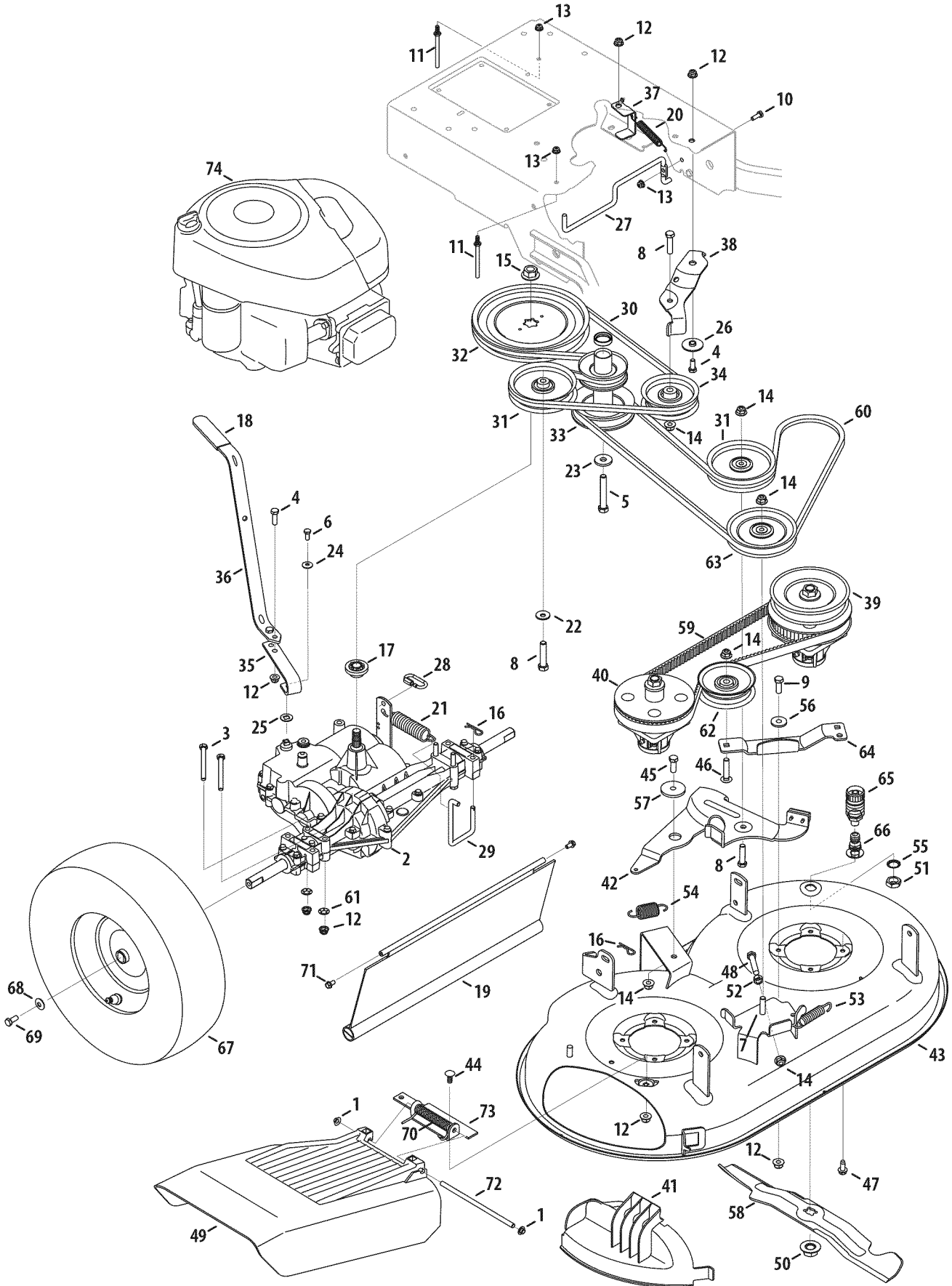
PARTS LIST

Craftsman 33-inch Wide Cut Mower — Model No. 247.889981

Ref. No.	Part No.	Description	Ref. No.	Part No.	Description
1	687-02427	Lever Assembly - LH	42	741-0660A	Flange Bearing, .760 x .941 x 1.0
2	687-02426	Lever Assembly - RH	43	787-01496-4028	Height Adjustment Bracket
3	710-0572	Screw, Carriage, 5/16-18 x 2.25	44	787-01510-0637	Link Pivot Bracket
4	710-0599	Screw, 1/4-20 x 0.500	45	787-01521-0637	Lever Pivot Bracket
5	710-0606	Screw, Cap, 1/4-20 x 1.50	46	710-0604A	Screw, TT, 5/16-18 x .625
6	712-04063	Nut, Flange Lock, 5/16-18	47	738-04282	Screw, Shoulder, .32 x 1.8 x 1/4-20
7	912-0442	Nut, Lock Cap, 1/4-20	48	951-04322	Fuel Tank, 2 Gal.
8	720-0274	Grip, 1.0 ID x 5.0 Lg	49	951-12182	Fuel Cap
9	720-04072A	Star Knob, 5/16-18	50	787-01507-4028	Fuel Tank Mounting Bracket
10	736-0270	Washer, Bell, .265 x .75 x .062	51	734-04243	Wheel, 8 x 1.75
11	938-0140	Screw, Shoulder, .435 x .178-5/16	52	710-1315	Screw, TT, 3/8-16 x 1.25
12	938-1226	Screw, Shoulder, .375 x 1.355, 1/4-20	53	710-0136	Screw, HH Cap, 1/4-20 x 1.75
13	946-04609	Cable, Clutch Wheel	54	712-3006	Nut, Hex, 1/4-20
14	946-04606	Cable, Brake, Transmission - RH	55	931-04339A	Handle Panel
15	946-04610	Cable, Clutch Deck	56	931-06935A	Tank Cover
16	946-04604	Cable, Throttle/Choke, 38 x 1.1	57	725-0157	Cable Tie
17	946-04608	Cable, Brake, Transmission - LH	58	710-0642	Screw, TT, 1/4-20 x .75
18	749-04330-0637	Lower Handle	59	710-04666	Screw, 1/4-20 x .75
19	749-04331-0637	Upper Handle - LH	60	712-0271	Nut, Sems, 1/4-20
20	749-04332-0637	Upper Handle - RH	61	712-04064	Nut, Flange Lock, 1/4-20
21	749-04333-0637	Brace Tube	62	936-0463	Washer, Flat, .25 x .63 x .0515
22	787-01548-4028	Handle Panel	63	925-04022B	Hour Indicator Meter
23	787-01490A-0637	Cable Mount Bracket - RH	64	925-1741	Key Switch
	787-01491A-0637	Cable Mount Bracket - LH	65	725-04439	Solenoid, 12V
24	687-02591-4028	Frame Assembly	66	925-1707D	Battery
25	687-02263-0637	Caster Wheel Bracket Assembly	67	731-05319	Lens
26	687-02419-0637	Deck Lift Assembly, RR	68	787-02009	Shift Adjust Plate
27	687-02265-0637	Deck Lift Assembly, Front	69	747-04657	Battery Hold Down
28	710-0627	Screw, HH Cap, 5/16-24 x .750	70	751-10349	Fuel Hose
29	925-1649	Lamp Socket	71	726-0205	Hose Clamp
30	710-04312	Screw, HH Cap, 5/16-18 x .50	72	951-10517A	Oil Drain
31	712-04065	Nut, Flange Lock, 3/8-16	73	751-3141-14	Oil Drain Hose
32	914-0145	Click Pin, .092 x 1.64	74	735-04081	Rubber Gromet
33	720-0311	Handle Grip	75	925-1745A	Key, Ignition, Black
34	931-05684	Belt Cover	76	710-0896	Screw, 1/4-20 x 1.75
35	731-05791	Snap Spacer, .63 ID x .75 LG	77	725-1629	Lamp
36	732-04418A	Deck Height Lever	78	777X41805	Label Reflector
37	736-0242	Washer, Bell, .340 x .872 x .060	79	751-12118	Rollover Valve
38	736-0343	Washer, Flat, .330 x 1.25 x .120	80	751-12089	Vent Hose
39	936-0351	Washer, Flat, .760 ID x 1.50 OD	—	725-04478†	Starter Wire
40	937-3000	Lube Fitting, 3/16	—	925-05237†	Wiring Harness
41	738-04216A	Bolt, Shoulder, .625 x 2.515 x 3/8-16	—	712-0266A†	Nut, Jam Lock (Ground Wire)

PARTS LIST

Craftsman 33-inch Wide Cut Mower — Model No. 247.889981



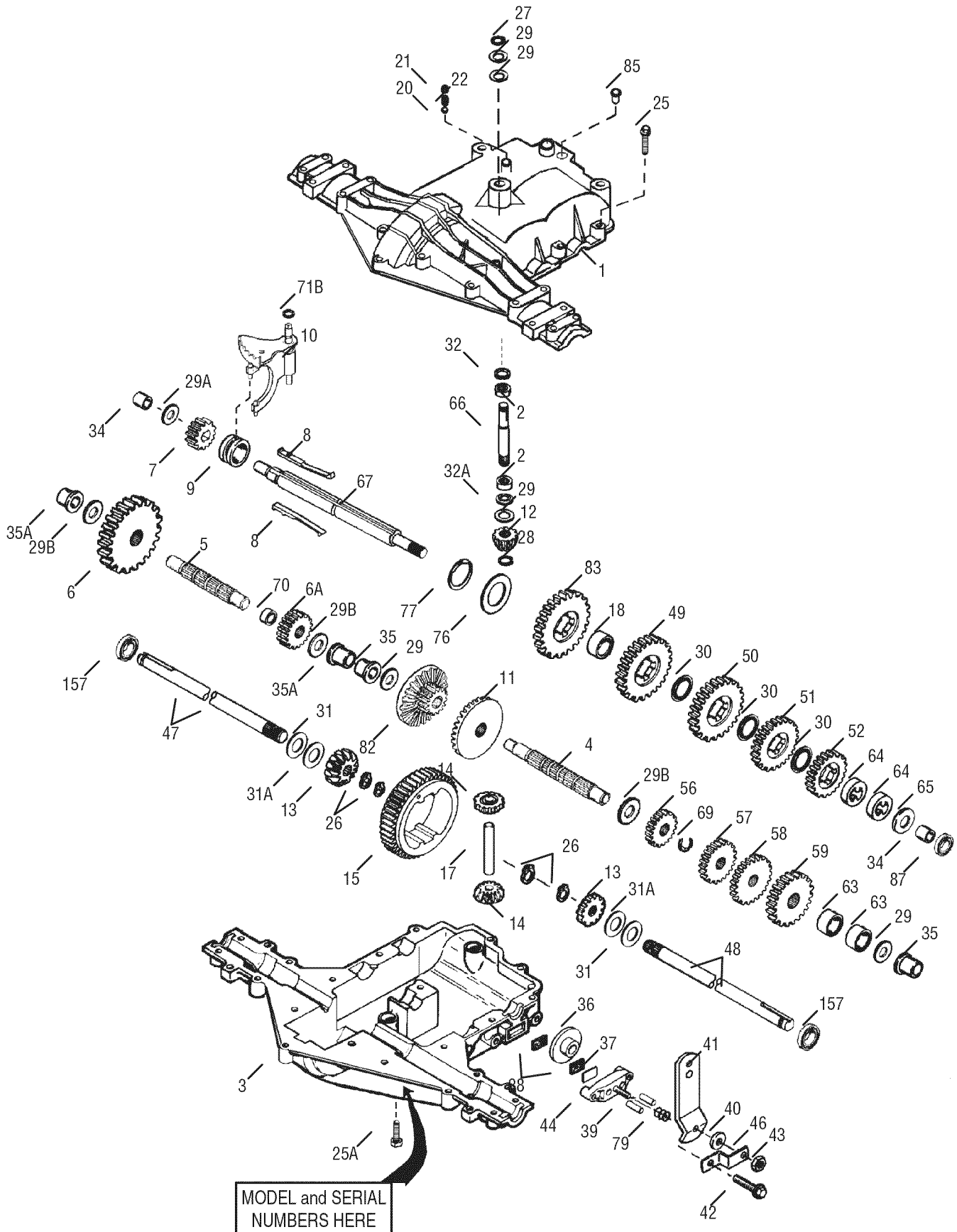
PARTS LIST

Craftsman 33-inch Wide Cut Mower — Model No. 247.889981

Ref. No.	Part No.	Description	Ref. No.	Part No.	Description
1	726-04009	Push Cap	38	787-01523A	Wheel Drive idler Bracket
2	918-04639	Transmission 4-Speed	39	918-04438C	Drive Spindle Assembly
3	710-0176	Screw, HH Cap, 5/16-18 x 2.75"	40	918-04439C	Spacer Spindle Assembly
4	710-0376	Screw, HH Cap, 5/16-18 x 1.00"	41	631-04252	Mulch Plug
5	710-04377	Screw, HH Cap, 7/16-20 x 2.75"	42	987-02420	Idler Arm Assembly
6	710-0513	Screw, HH Cap, 1/4-28 x .625"	43	687-02476-0691	Deck Assembly, 33-inch
7	710-0520	Screw, HH Cap, 3/8-16 x 1.50"	44	710-0451	Bolt, Carriage, 5/16-18 x .75"
8	710-0347	Screw, HH Cap, 3/8-16 x 1.75"	45	710-0514	Screw, HH Cap, 3/8-16 x 1.00"
9	710-3005	Screw, HH Cap, 3/8-16 x 1.25"	46	710-0560	Screw, Carriage, 3/8-16 x 1.75"
10	710-3015	Screw, HH Cap, 1/4-20 x .75"	47	710-1260A	Screw, TT, 5/16-18 x .750"
11	911-1000	Belt Keeper	48	710-3184A	Screw, HH Cap, 3/8-16 x 2.00"
12	712-04063	Nut, Flange Lock, 5/16-18	49	931-04244	Chute Deflec. Assy' (incl. ref. 72-76)
13	712-04064	Nut, Flange Lock, 1/4-20	50	712-0417A	Nut, Flange, 5/8-18
14	712-04065	Nut, Flange Lock, 3/8-16	51	912-0641	Nut, Hex
15	712-0700	Nut, Flange, 9/16-18	52	912-3017	Nut, Hex 3/8-16
16	914-0145	Hairpin Clip, .092" x 1.64" Long	53	732-04406	Ext. Spring, Timing Belt Tension
17	718-04407	Pulley Hub	54	732-04452	Extension Spring, Deck Brake
18	720-0142	Grip	55	736-0225	Washer, Lock
19	731-05766	Trailing Shield	56	938-0347	Spacer, Shoulder, .625" x .169"
20	732-04409	Extension Spring	57	738-04162A	Spacer, Shoulder, .884" x .190"
21	732-04443A	Extension Spring	58	942-04154A	Blade, 17.9"
22	736-0105	Washer, Spring, .401" x .870" x .063"	59	754-04136	Belt, Timing
23	736-0322	Washer, Flat, 450" x 1.250" x .164"	60	954-04139	Belt, V Type
24	736-0270	Washer, Bell	61	02000300	Push Nut
25	736-04256	Washer, Flat, .39" x .87" x .06"	62	756-04280A	Idler Pulley, 3.50"
26	738-04166	Spacer, Shoulder, .50" x .1475"	63	756-0616	Idler Pulley, V-Type, 5.0"
27	747-04635A	Belt Keeper Rod	64	787-01440-0637	Idler Timing Bracket
28	747-05571	Tri-Link Coupling	65	921-04041	Water Nozzle Adapter
29	747-04678A	Trans Mount Rod	66	737-04003D	Water Nozzle
30	954-04145A	Belt, V Type	67	634-04285-0911	Wheel, 16 x 4 x 8
31	756-04129B	Idler Pulley, 4.25" Dia.	68	736-0242	Washer, Bell, .340" x .872" x .060"
32	756-04258	Flat Sheave 7.75"	69	710-0627	Screw, HH Cap, 5/16-24 x .75"
33	756-04260	Engine Pulley 3.20" x 4.35" Dia.	70	732-04012	Deflector Torsion Spring
34	756-04280A	Idler Pulley 3.50" Dia.	71	710-0896	Screw, AB, 1/4-14 x .625"
35	787-01469B-0637	Shift Rod, Lower	72	711-04027	Deflector Pin
36	787-01470A-0637	Shift Rod, Upper	73	787-01017A-0637	Deflector Hinge Bracket
37	787-01473A	Belt Keeper	74	219807-3712-G5	Engine

PARTS LIST

Craftsman 33-inch Wide Cut Mower — Model No. 247.88998



PARTS LIST

Craftsman 33-inch Wide Cut Mower — Model No. 247.88998

Ref. No.	Part No.	Description
1	TC-772147	Transaxle Cover
2	TC-780086A	Needle Bearing
3	TC-770128A	Transaxle Case
4	TC-776395	Countershaft
5	TC-776409	Output Shaft
6	TC-778364	Spur Gear (38T-PM/SER)
6A	TC-778369	Spur Gear (15T-PM/SER)
7	TC-778330	Spur Gear (11T-PM/SER)
8	TC-792180A	Shift Key Set (Qty. 2)
9	TC-784352	Shift Collar
10	TC-784378	Shift Rod & Fork Assembly
11	TC-778334	Bevel Gear (30T-PM)
12	TC-778309	Input Bevel Pinion (13T-PM)
13	TC-778368	Bevel Gear 13T (Incl. ref. 13 & 14)
14	TC-778368	Bevel Gear 13T (Incl. ref. 13 & 14)
15	TC-778370	Ring Gear (43T)
17	TC-786188	Drive Pin
18	TC-786102	Spacer (1.130" x .695")
20	TC-792077A	Ball (Stainless Steel 5/16" dia.)
21	TC-792211	Screw, 3/8-16 x 3/8"
22	TC-792079	Spring
25	TC-792073A	Screw, 1/4-20 x 1-1/4"
25A	TC-792177	Screw, 1/4-20 x 1-3/8"
26	TC-792125	Retaining Ring-package of 2
27	TC-792035	Retaining Ring
28	TC-788040	Retaining Ring
29	TC-780072	Washer .627" ID .031"
29A	TC-780160	Thrust Washer (.563" ID x .031")
29B	TC-780051	Thrust Washer (.762" ID X .031")
30	TC-780108	Shift Washer (Cupped)
31	TC-780001	Washer .750" ID .56"
31A	TC-780195	Washer .750" ID .062
32	TC-788083	Oil Seal 5/8"
32A	TC-792001	O Ring (.823" OD)
34	TC-780194	Bushing (.563")
35	TC-780193	Flanged Bushing (.625" ID)
35A	TC-780197	Flanged Bushing (.751" ID)

Ref. No.	Part No.	Description
36	TC-790075	Brake Disk
37	TC-790007	Brake Pad Plate
38	TC-799021A	Brake Pad (pkg. of 2)
39	TC-786026	Dowel Pin .3125" x .750"
40	736-3078	Washer .312" ID .059"
41	TC-790104	Brake Lever
42	TC-792177	Screw 1/4-20 x 1-3/8"
43	912-0237	Lock Nut 5/16-24
44	TC-790025	Brake Pad Holder
46	TC-786086	Bracket
47	TC-775146	Axle (10.719" long) (Incl. 26)
48	TC-775147	Axle (15.312" long) (Incl. 26)
49	TC-778338	Spur Gear (27T-PM/IC)
50	TC-778342	Spur Gear (22T-PM/IC)
51	TC-778313	Spur Gear (19T-PM/IC)
52	TC-778350	Spur Gear (16T-PM/IC)
56	TC-778337	Spur Gear (13T-PM/SER)
57	TC-778341	Spur Gear (18T-PM/SER)
58	TC-778351	Spur Gear (21T-PM/SER)
59	TC-778349	Spur Gear (24T-PM/SER)
63	TC-786071	Countershaft Spacer 1-1/8" x 3/8"
64	TC-786072	Brake Shaft Spacer 1-3/8" x 3/8"
65	TC-780189	Washer .563" ID .062
66	TC-776472	Input Shaft
67	TC-776396	Brake Shaft
69	TC-792170	Retaining Ring (.75" x .042")
70	TC-786187	Spacer (.890")
71B	TC-788092	O-Ring
76	TC-780090	Flat Washer (1.128" ID x .058")
77	TC-788078A	Retaining Ring (1.125" x .050")
79	TC-792144	Spring
82	TC-778333	Bevel (30T) & Spur Gear
83	TC-778338	Spur Gear (27T-PM/IC)
85	TC-792154	Oil Fill Plug
87	TC-788089A	Oil Seal 9/16" ID
157	TC-788088A	Oil Seal 3/4" ID

PARTS LIST

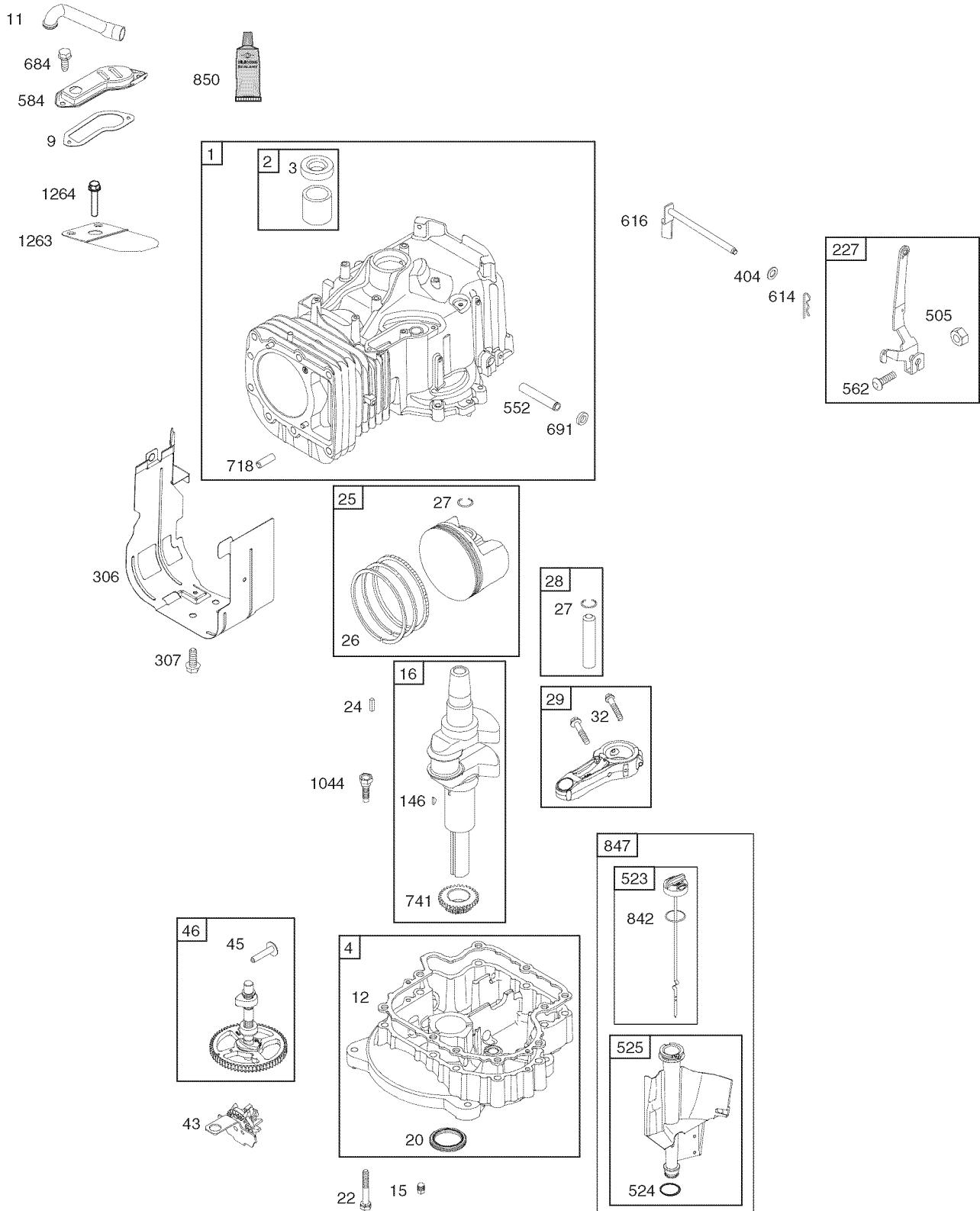
Craftsman Engine Model No. 219807-3712-G5 For Craftsman Mower Model No. 247.889981

48 SHORTB LOCK

1058 OPERATOR'S MANUAL

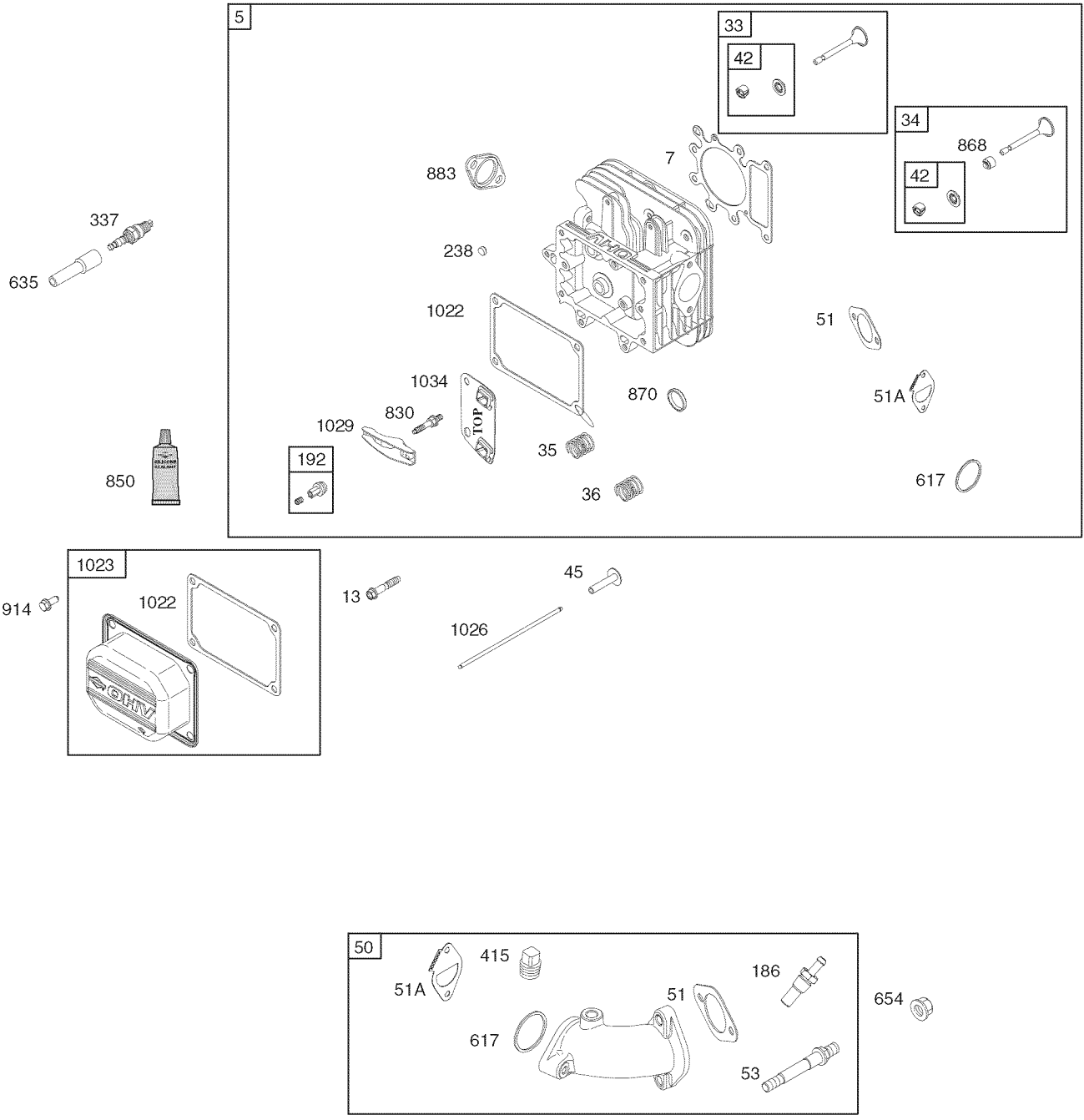
1329 REPLACEMENT ENGINE

1330R EPAIRM ANUAL



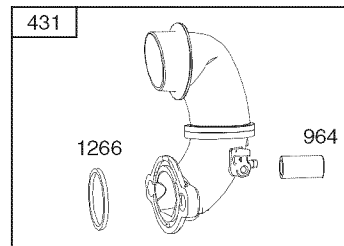
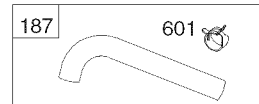
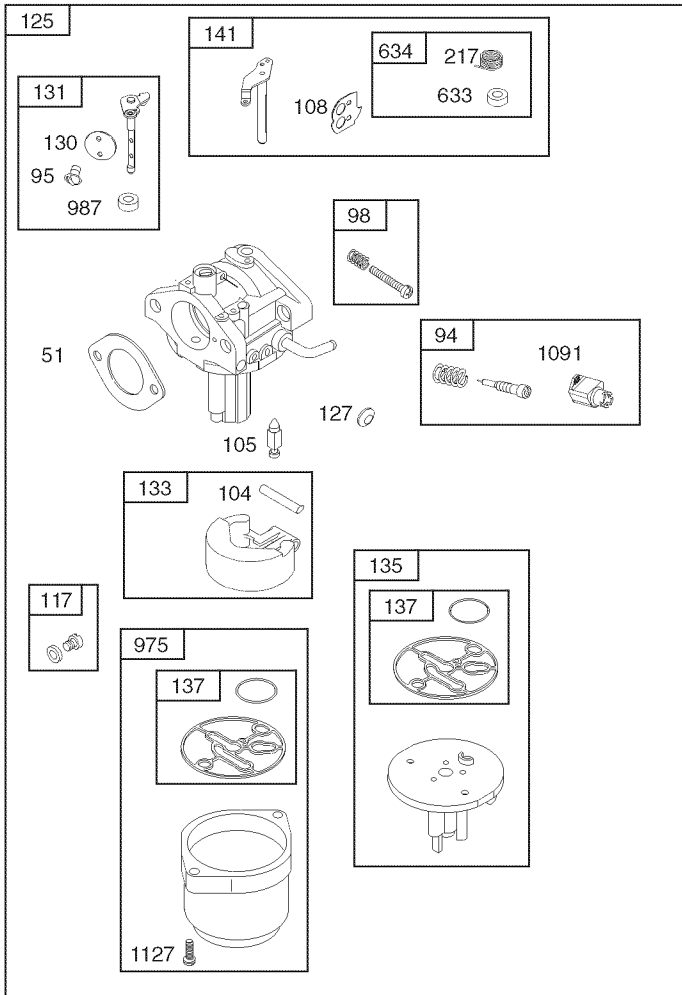
PARTS LIST

Craftsman Engine Model No. 219807-3712-G5 For Craftsman Mower Model No. 247.889981



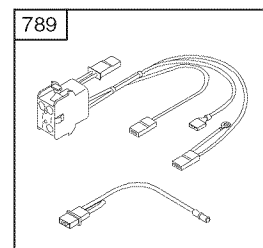
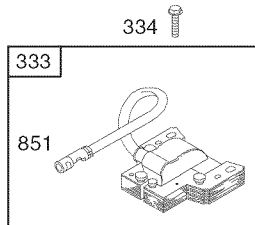
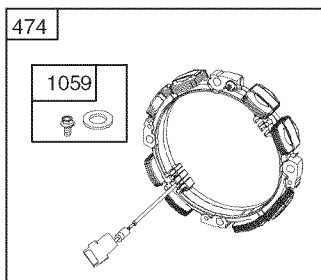
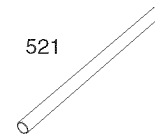
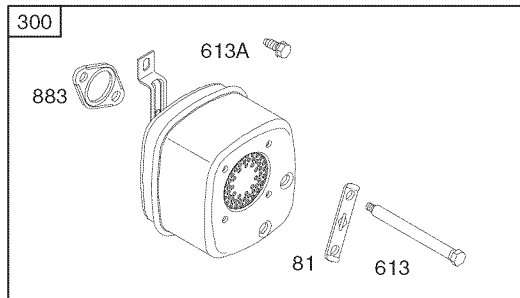
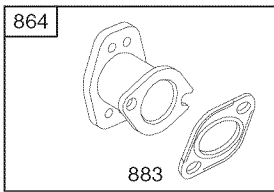
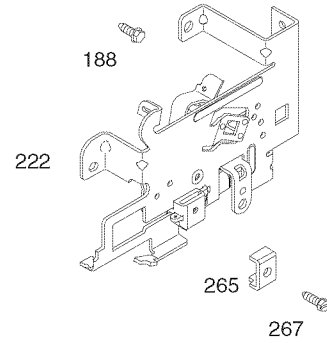
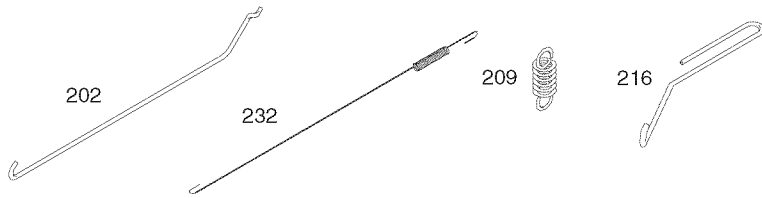
PARTS LIST

Craftsman Engine Model No. 219807-3712-G5 For Craftsman Mower Model No. 247.889981



PARTS LIST

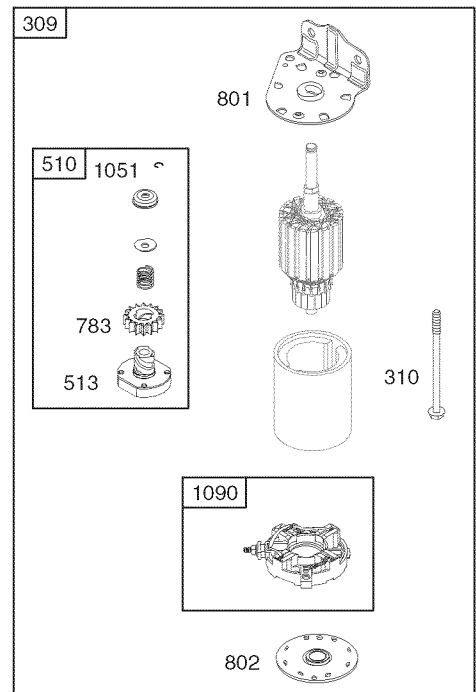
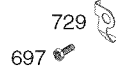
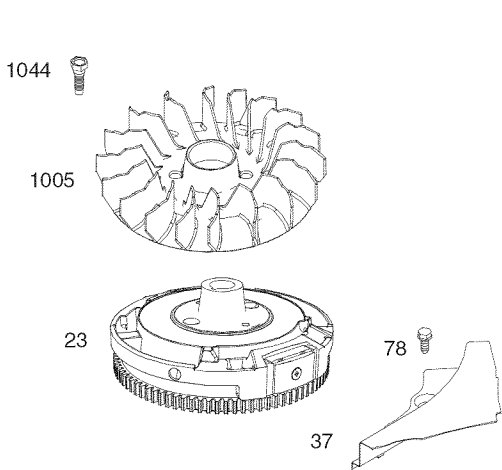
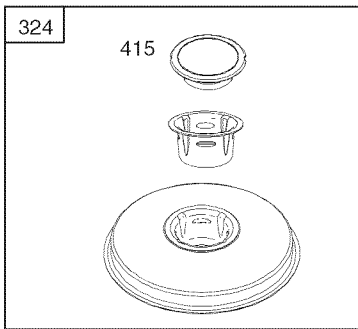
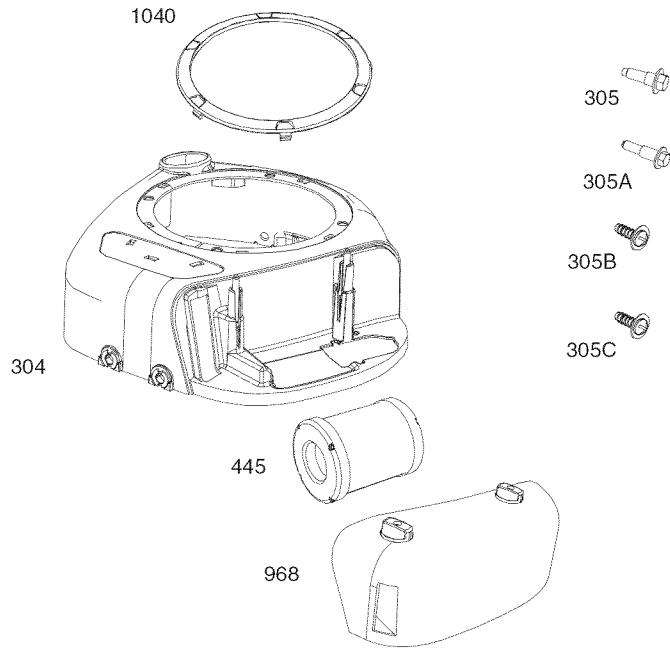
Craftsman Engine Model No. 219807-3712-G5 For Craftsman Mower Model No. 247.889981



PARTS LIST

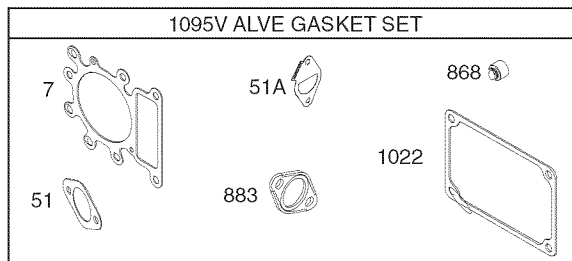
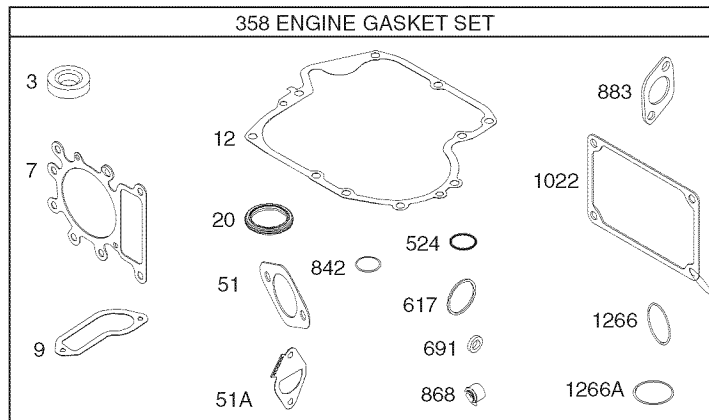
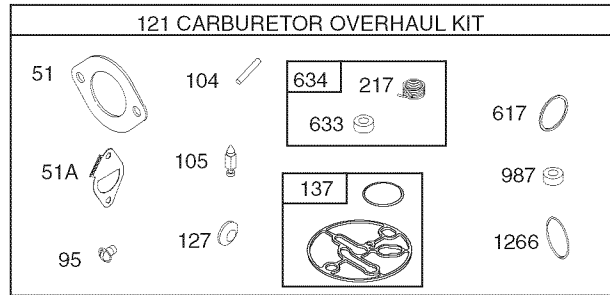
Craftsman Engine Model No. 219807-3712-G5 For Craftsman Mower Model No. 247.889981

1036E MISSIONS LABEL



PARTS LIST

Craftsman Engine Model No. 219807-3712-G5 For Craftsman Mower Model No. 247.889981



PARTS LIST

Craftsman Engine Model No. 219807-3712-G5 For Craftsman Mower Model No. 247 889981

Ref. No.	Part No.	
1	697377	Cylinder Assembly
2	797673	Kit-Bushing/Seal (Magneto Side)
3	391086s	Seal-Oil (Magneto Side)
4	697106	Sump-Engine
5	796183	Head-Cylinder
7	273280s	Gasket-Cylinder Head
9	697109	Gasket-Breather
11	794683	Tube-Breather
12	697110	Gasket-Crankcase
13	690360	Screw (Cylinder Head)
15	690946	Plug-Oil Drain
16	796146	Crankshaft
20	795387	Seal-Oil (PTO Side)
22	692125	Screw (Crankcase Cover/Sump)
23	698281	Flywheel
24	796335	Key-Flywheel (Steel)
25	797009	Piston Assembly (Standard)
	797010	Piston Assembly (.020" Oversize)
26	797011	Ring Set (Standard)
	797012	Ring Set (.020" Oversize)
27	698469	Lock-Piston Pin
28	797013	Pin-Piston
29	791633	Rod-Connecting
32	791118	Screw (Connecting Rod)
33	791934	Valve-Exhaust
34	791935	Valve-Intake
35	691279	Spring-Valve (Intake)
36	691279	Spring-Valve (Exhaust)
37	697352	Guard-Flywheel
42	499586	Keeper-Valve
43	691968	Slinger-Governor/Oil
45	690564	Tappet-Valve
46	793880	Camshaft
48	697740	Short Block
50	591245	Manifold-Intake
51	692137	Gasket-Intake
51A	796081	Gasket-Intake
53	591260	Stud (Carburetor)
78	691693	Screw (Flywheel Guard)
81	691178	Lock-Muffler Screw
94	793610	Kit-Idle Mixture

Ref. No.	Part No.	
95	690718	Screw (Throttle Valve)
98	695408	Kit-Idle Speed
104	694918	Pin-Float Hinge
105	696136	Valve-Float Needle
108	698773	Valve-Choke
117	796079	Jet-Main (Standard)
118	698788	Jet-Main (High Altitude)
121	796184	Kit-Carburetor Overhaul
125	590399	Carburetor
127	690727	Plug-Welch
130	698774	Valve-Throttle
131	698776	Kit-Throttle Shaft
133	694914	Float-Carburetor
135	698780	Tube-Fuel Transfer
137	698781	Gasket-Float Bowl
141	698778	Kit-Choke Shaft
146	691639	Key-Timing
186	794873	Connector-Hose (Intake Manifold)
187	791766	Line-Fuel (Cut to Required Length)
188	691693	Screw (Control Bracket)
192	691986	Adjuster-Rocker Arm
202	691841	Link-Mechanical Governor
209	792813	Spring-Governor (Brown)
216	691840	Link-Governor
217	695409	Spring-Choke Return
222	694042	Bracket-Control
227	691374	Lever-Governor Control
232	691842	Spring-Governor Link
238	691843	Cap-Valve
240	394358s	Filter-Fuel
265	691024	Clamp-Casing
267	794904	Screw (Casing Clamp)
300	796000	Muffler
304	799012	Housing-Blower
305	799370	Screw (Blower Housing) (1/4-20x.90)
305A	697102	Screw (Blower Housing) (1/4-20x1.20)
305B	793376	Screw (Blower Housing) (1/4-20x.81)
305C	795891	Screw (Blower Housing) (#10-16x.44)
306	697359	Shield-Cylinder
307	691693	Screw (Cylinder Shield)
309	693551	Motor-Starter

PARTS LIST

Craftsman Engine Model No. 219807-3712-G5 For Craftsman Mower Model No. 247.889981

Ref. No.	Part No.	
310	690323	Screw (Starter Motor)
324	796308	Screen/Cup Assembly
333	799650	Armature-Magneto
334	691061	Screw (Magneto Armature)
337	491055s	Plug-Spark
358	796181	Gasket Set-Engine
404	691691	Washer (Governor Crank)
415	794129	Plug (Rotating Screen)
415A	794903	Plug (Intake Manifold)
431	797901	Elbow-Intake
445	796032	Filter-Air Cleaner Cartridge
474	696459	Alternator
505	691251	Nut (Governor Control Lever)
510	693699	Drive-Starter
513	692024	Clutch-Drive
521	690581	Shield-Cable
523	699908	Dipstick
524	691032	Seal-Dipstick Tube
525	697184	Tube-Dipstick
552	697144	Bushing-Governor Crank
562	691119	Bolt (Governor Control Lever)
584	794682	Cover-Breather Passage
601	791850	Hose-Clamp (Green)
613	691416	Screw (Muffler) (5/16x4.1)
613A	691678	Screw (Muffler) (5/16x.62)
614	691620	Pin-Cotter (Governor Crank)
616	692012	Crank-Governor
617	692138	Seal-O Ring (Intake Manifold) (Red)
633	699813	Seal-Choke/Throttle Shaft (Choke Shaft)
634	698779	Spring/Seal Assembly (Choke Shaft)
635	691909	Boot-Spark Plug
654	690958	Nut (Carburetor)
684	697157	Screw (Breather Passage Cover)
691	692407	Seal-Governor Shaft
697	791680	Screw (Drive Cap)
718	690959	Pin-Locating
729	691224	Clip-Wire
741	697128	Gear-Timing
783	693713	Gear-Pinion
789	698329	Harness-Wiring
801	691283	Cap-Drive

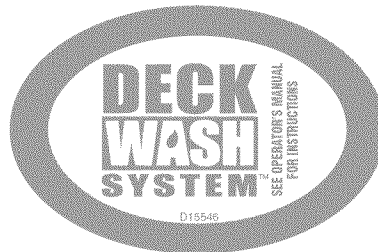
Ref. No.	Part No.	
802	691286	Cap-End
823	698941	Screw (Muffler Adapter)
830	691095	Stud-Rocker Arm
842	691031	Seal-O Ring (Dipstick Tube)
847	790442	Dipstick/Tube Assembly
850	100106	Sealant-Liquid
851	692424	Terminal-Spark Plug
864	796002	Adapter-Muffler
868	690968	Seal-Valve
870	691844	Seat-Valve
883	692236	Gasket-Exhaust
914	691108	Screw (Rocker Cover)
964	799159	Cap-Connector
968	799016	Cover-Air Cleaner
975	698783	Bowl-Float
987	698777	Seal-Throttle Shaft
1005	796082	Fan-Flywheel
1022	272475s	Gasket-Rocker Cover
1023	797421	Cover-Rocker
1026	794573	Rod-Push (Exhaust) (Steel)
	697394	Rod-Push (Intake) (Aluminum)
1029	691751	Arm-Rocker
1034	690822	Guide-Push Rod
1036		Label-Emissions (Available from a Briggs & Stratton Authorized Dealer)
1040	698368	Plate-Trim
1044	698139	Screw (Flywheel)
1051	691265	Ring-Retaining
1058	276344	Operator's Manual
1059	698516	Kit-Screw/Washer (Alternator)
1090	691293	Retainer-Brush
1091	691333	Cap-Limiter
1095	796189	Gasket Set-Valve
1119	691183	Screw (Alternator)
1127	695407	Screw (Float Bowl)
1263	697124	Reed-Breather
1264	697104	Screw (Breather Reed)
1266	691917	Seal-O Ring (Intake Elbow) (Red)
1329	219807-3026-G5	Replacement Engine
1330	276781	Repair Manual

LABELS

777S30145



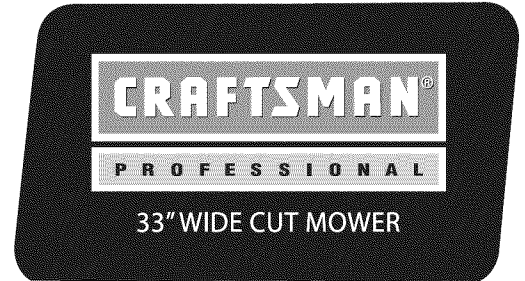
777D15546



777I22793



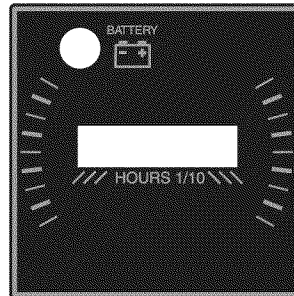
777D15613



777S30117



777I22808



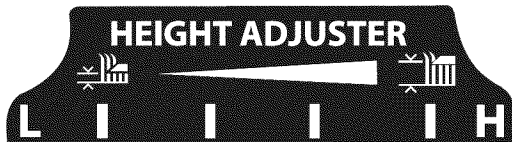
777X44930



777I22759



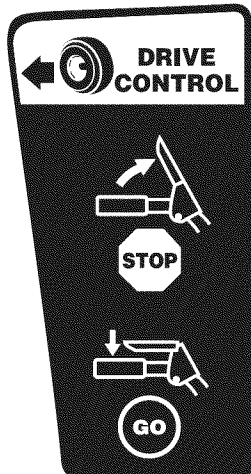
777I22760



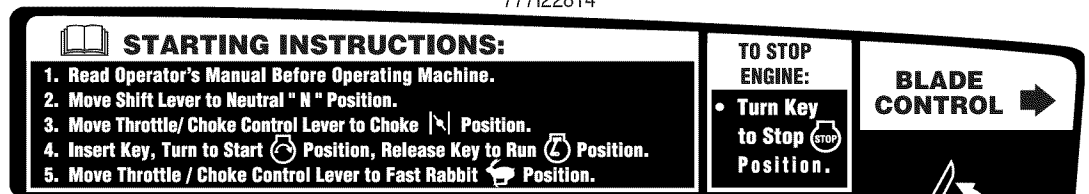
777D15612



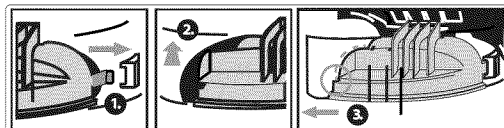
777I22815



777I22814

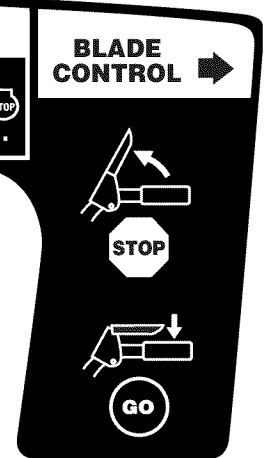


777I22809



1. Insert Mulch Plug's front tab into slot on outside of deck.
2. Pivot Mulch Plug inboard into discharge opening.
3. Slide rearward until slot bottoms out against edge of discharge opening.
4. Lower Discharge Chute to lock Mulch Plug in place.

777X43688



NOTES

FEDERAL and/or CALIFORNIA EMISSION CONTROL WARRANTY STATEMENT

YOUR WARRANTY RIGHTS AND OBLIGATIONS

MTD Consumer Group Inc, the United States Environmental Protection Agency (EPA), and, for those products certified for sale in the state of California, the California Air Resources Board (CARB) are pleased to explain the emission (evaporative and/or exhaust) control system (ECS) warranty on your outdoor 2006 and later small off-road spark-ignited engine and equipment (outdoor equipment engine) In California, new outdoor equipment engines must be designed, built and equipped to meet the State's stringent anti-smog standards (in other states, 1997 and later model year equipment must be designed, built, and equipped to meet the U.S. EPA small off-road, spark ignition engine regulations. MTD Consumer Group Inc must warrant the ECS on your outdoor equipment engine for the period of time listed below provided there has been no abuse, neglect or improper maintenance of outdoor equipment engine.

Your ECS may include parts such as the carburetor, fuel-injection system, the ignition system, catalytic converter, fuel tanks, fuel lines, fuel caps, valves, canisters, filters, vapor hoses, clamps, connectors, and other associated emission-related components.

Where a warrantable condition exists, MTD Consumer Group Inc will repair your outdoor equipment engine at no cost to you including diagnosis, parts and labor.

MANUFACTURER'S WARRANTY COVERAGE:

This emission control system is warranted for two years. If any emission-related part on your outdoor equipment engine is defective, the part will be repaired or replaced by MTD CONSUMER GROUP INC.

OWNER'S WARRANTY RESPONSIBILITIES:

As the outdoor equipment engine owner, you are responsible for performance of the required maintenance listed in your owner's manual. MTD Consumer Group Inc recommends that you retain all receipts covering maintenance on your outdoor equipment engine, but MTD Consumer Group Inc cannot deny warranty solely for the lack of receipts.

As the outdoor equipment engine owner, you should however be aware that MTD Consumer Group Inc may deny you warranty coverage if your outdoor equipment engine or a part has failed due to abuse, neglect, or improper maintenance or unapproved modifications.

You are responsible for presenting your outdoor equipment engine to MTD Consumer Group Inc's distribution center or service center as soon as the problem exists. The warranty repairs should be completed in a reasonable amount of time, not to exceed 30 days. If you have a question regarding your warranty coverage, you should contact the MTD Consumer Group Inc Service Department at 1-800-800-7310 or via email at <http://support.mtdproducts.com>

GENERAL EMISSIONS WARRANTY COVERAGE:

MTD Consumer Group Inc warrants to the ultimate purchaser and each subsequent purchaser that the outdoor equipment engine is: Designed, built and equipped so as to conform with all applicable regulations; and free from defects in materials and workmanship that cause the failure of a warranted part to be identical in all material respects to that part as described in MTD Consumer Group Inc's application for certification.

The warranty period begins on the date the outdoor equipment engine is delivered to an ultimate purchaser or first placed into service. The warranty period is two years.

Subject to certain conditions and exclusions as stated below, the warranty on emission-related parts is as follows:

1. Any warranted part that is not scheduled for replacement as required maintenance in the written instructions supplied, is warranted for the warranty period stated above. If the part fails during the period of warranty coverage, the part will be repaired or replaced by MTD Consumer Group Inc according to subsection (4) below. Any such part repaired or replaced under warranty will be warranted for the remainder of the period.
2. Any warranted part that is scheduled only for regular inspection in the written instructions supplied is warranted for the warranty period stated above. Any such part repaired or replaced under warranty will be warranted for the remaining warranty period.
3. Any warranted part that is scheduled for replacement as required maintenance in the written instructions supplied is warranted for the period of time before the first scheduled replacement date for that part. If the part fails before the first scheduled replacement, the part will be repaired or replaced by MTD Consumer Group Inc according to subsection (4) below. Any such part repaired or replaced under warranty will be warranted for the remainder of the period prior to the first scheduled replacement point for the part.
4. Repair or replacement of any warranted part under the warranty provisions herein must be performed at a warranty station at no charge to the owner.
5. Notwithstanding the provisions herein, warranty services or repairs will be provided at all of our distribution centers that are franchised to service the subject engines or equipment.
6. The outdoor equipment engine owner will not be charged for diagnostic labor that is directly associated with diagnosis of a defective, emission-related warranted part, provided that such diagnostic work is performed at a warranty station.
7. MTD Consumer Group Inc is liable for damages to other engine or equipment components proximately caused by a failure under warranty of any warranted part.
8. Throughout the off-road engine and equipment warranty period stated above, MTD Consumer Group Inc will maintain a supply of warranted parts sufficient to meet the expected demand for such parts.
9. Any replacement part may be used in the performance of any warranty maintenance or repairs and must be provided without charge to the owner. Such use will not reduce the warranty obligations of MTD Consumer Group Inc.
10. Add-on or modified parts that are not exempted by the Air Resources Board may not be used. The use of any non-exempted add-on or modified parts by the ultimate purchaser will be grounds for disallowing a warranty claims. MTD Consumer Group Inc will not be liable to warrant failures of warranted parts caused by the use of a non-exempted add-on or modified part.

WARRANTED PARTS:

The repair or replacement of any warranted part otherwise eligible for warranty coverage may be excluded from such warranty coverage if MTD Consumer Group Inc demonstrates that the outdoor equipment engine has been abused, neglected, or improperly maintained, and that such abuse, neglect, or improper maintenance was the direct cause of the need for repair or replacement of the part. That notwithstanding, any adjustment of a component that has a factory installed, and properly operating, adjustment limiting device is still eligible for warranty coverage. Further, the coverage under this warranty extends only to parts that were present on the off-road engine and equipment purchased.

The following emission warranty parts are covered (if applicable):

(1) Fuel Metering System

- Cold start enrichment system (soft choke)
- Carburetor and internal parts (or fuel injection system)
- Fuel pump
- Fuel tank

(2) Air Induction System

- Air cleaner
- Intake manifold

(3) Ignition System

- Spark plug(s)
- Magneto ignition system

(4) Exhaust System

- Catalytic converter
- SAI (Reed valve)

(5) Miscellaneous Items Used in Above System

- Vacuum, temperature, position, time sensitive valves and switches
- Connectors and assemblies

(6) Evaporative Control

- Fuel hose
- Fuel hose clamps
- Tethered fuel cap
- Carbon canister
- Vapor lines

(This page applicable in the U.S.A. and Canada only.)

**Sears Brands Management Corporation (Sears), the California Air Resources Board (CARB)
and the United States Environmental Protection Agency (U.S. EPA)**

Emission Control System Warranty Statement (Owner's Defect Warranty Rights and Obligations)

EMISSION CONTROL WARRANTY COVERAGE IS APPLICABLE TO CERTIFIED ENGINES PURCHASED IN CALIFORNIA IN 1995 AND THEREAFTER, WHICH ARE USED IN CALIFORNIA, AND TO CERTIFIED MODEL

YEAR 1997 AND LATER ENGINES WHICH ARE PURCHASED AND USED ELSEWHERE IN THE UNITED STATES (AND AFTER JANUARY 1, 2001 IN CANADA).

California and United States Emission Control Defects Warranty Statement

The California Air Resources Board (CARB), U.S. EPA and Sears are pleased to explain the Emission Control System Warranty on your model year 2000 and later small off-road engine (SORE). In California, new small off-road engines must be designed, built and equipped to meet the State's stringent anti-smog standards. Elsewhere in the United States, new non-road, spark-ignition engines certified for model year 1997 and later must meet similar standards set forth by the U.S. EPA. Sears must warrant the emission control system on your

engine for the periods of time listed below, provided there has been no abuse, neglect or improper maintenance of your small off-road engine. Your emission control system includes parts such as the carburetor, air cleaner, ignition system, muffler and catalytic converter. Also included may be connectors and other emission related assemblies. Where a warrantable condition exists, Sears will repair your small off-road engine at no cost to you including diagnosis, parts and labor.

Sears Emission Control Defects Warranty Coverage

Small off-road engines are warranted relative to emission control parts defects for a period of one year, subject to provisions set forth below. If any covered

part on your engine is defective, the part will be repaired or replaced by Sears.

Owner's Warranty Responsibilities

As the small off-road engine owner, you are responsible for the performance of the required maintenance listed in your Operating and Maintenance Instructions. Sears recommends that you retain all your receipts covering maintenance on your small off-road engine, but Sears cannot deny warranty solely for the lack of receipts or for your failure to ensure the performance of all scheduled maintenance. As the small off-road engine owner, you should however be aware that Sears may deny you warranty coverage if your small off-road engine or a part has failed due to abuse, neglect, improper maintenance or unap-

proved modifications. You are responsible for presenting your small off-road engine to an Authorized Sears Service Dealer as soon as a problem exists. The undisputed warranty repairs should be completed in a reasonable amount of time, not to exceed 30 days. If you have any questions regarding your warranty rights and responsibilities, you should contact a Sears Service Representative at 1-800-469-4663. The emission warranty is a defects warranty. Defects are judged on normal engine performance. The warranty is not related to an in-use emission test.

Sears Emission Control Defects Warranty Provisions

The following are specific provisions relative to your Emission Control Defects Warranty Coverage. It is in addition to the Sears engine warranty for non-regulated engines found in the Operating and Maintenance Instructions.

1. Warranted Parts

Coverage under this warranty extends only to the parts listed below (the emission control systems parts) to the extent these parts were present on the engine purchased.

- a. Fuel Metering System
 - Cold start enrichment system
 - Carburetor and internal parts
 - Fuel Pump
- b. Air Induction System
 - Air cleaner
 - Intake manifold
- c. Ignition System
 - Spark plug(s)
 - Magneto ignition system
- d. Catalyst System
 - Catalytic converter
 - Exhaust manifold
 - Air injection system or pulse valve
- e. Miscellaneous Items Used in Above Systems
 - Vacuum, temperature, position, time sensitive valves and switches
 - Connectors and assemblies

2. Length of Coverage

Sears warrants to the initial owner and each subsequent purchaser that the Warranted Parts shall be free from defects in materials and workmanship which caused the failure of the Warranted Parts for a period of one year from the date the engine is delivered to a retail purchaser.

3. No Charge

Repair or replacement of any Warranted Part will be performed at no charge to the owner, including diagnostic labor which leads to the determination that a Warranted Part is defective, if the diagnostic work is performed at an Authorized Sears Service Dealer. For emissions warranty service contact your nearest Authorized Sears Service Dealer as listed in the "Yellow Pages" under "Engines, Gasoline," "Gasoline Engines," "Lawn Mowers," or similar category.

4. Claims and Coverage Exclusions

Warranty claims shall be filed in accordance with the provisions of the Sears Engine Warranty Policy. Warranty coverage shall be excluded for failures of Warranted Parts which are not original Sears parts or because of abuse, neglect or improper maintenance as set forth in the Sears Engine Warranty Policy. Sears is not liable to cover failures of Warranted Parts caused by the use of add-on, non-original, or modified parts.

5. Maintenance

Any Warranted Part which is not scheduled for replacement as required maintenance or which is scheduled only for regular inspection to the effect of "repair or replace as necessary" shall be warranted as to defects for the warranty period. Any Warranted Part which is scheduled for replacement as required maintenance shall be warranted as to defects only for the period of time up to the first scheduled replacement for that part. Any replacement part that is equivalent in performance and durability may be used in the performance of any maintenance or repairs. The owner is responsible for the performance of all required maintenance, as defined in the Sears Operating and Maintenance Instructions.

6. Consequential Coverage

Coverage hereunder shall extend to the failure of any engine components caused by the failure of any Warranted Part still under warranty.

In the USA and Canada, a 24 hour hot line, **1-800-469-4663**, has a menu of pre-recorded messages offering you engine maintenance information.



Look For Relevant Emissions Durability Period and Air Index Information On Your Engine Emissions Label

Engines that are certified to meet the California Air Resources Board (CARB) Tier 2 Emission Standards must display information regarding the Emissions Durability Period and the Air Index. Sears Brands Management Corporation makes this information available to the consumer on our emission labels.

The Emissions Durability Period describes the number of hours of actual running time for which the engine is certified to be emissions compliant, assuming proper maintenance in accordance with the Operating & Maintenance Instructions. The following categories are used:

Moderate: Engine is certified to be emission compliant for 125 hours of actual engine running time.

Intermediate: Engine is certified to be emission compliant for 250 hours of actual engine running time.

Extended: Engine is certified to be emission compliant for 500 hours of actual engine running time.

For example, a typical walk-behind lawn mower is used 20 to 25 hours per year. Therefore, the **Emissions Durability Period** of an engine with an **intermediate** rating would equate to 10 to 12 years.

The **Air Index** is a calculated number describing the relative level of emissions for a specific engine family. The lower the **Air Index**, the cleaner the engine. This information is displayed in graphical form on the emissions label.

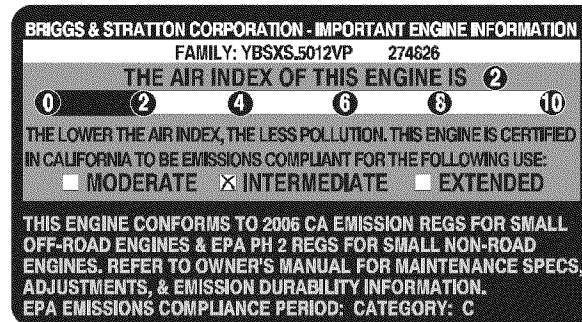
After July 1, 2000, Look For Emissions Compliance Period On Engine Emissions Compliance Label

After July 1, 2000 certain Sears Brands Management Corporation engines will be certified to meet the United States Environmental Protection Agency (USEPA) Phase 2 emission standards. For Phase 2 certified engines, the Emissions Compliance Period referred to on the Emissions Compliance label indicates the number of operating hours for which the engine has been shown to meet Federal emission requirements.

For engines less than 225 cc displacement, Category C = 125 hours, B = 250 hours and A = 500 hours.

For engines of 225 cc or more, Category C = 250 hours, B = 500 hours and A = 1000 hours.

This is a generic representation of the emission label typically found on a certified engine.



REPAIR PROTECTION AGREEMENT

Congratulations on making a smart purchase. Your new Craftsman® product is designed and manufactured for years of dependable operation. But like all products, it may require repair from time to time. That's when having a Repair Protection Agreement can save you money and aggravation.

Here's what the Repair Protection Agreement* includes:

- ☑ **Expert service** by our 10,000 professional repair specialists
- ☑ **Unlimited service and no charge** for parts and labor on all covered repairs
- ☑ **Product replacement** up to \$1500 if your covered product can't be fixed
- ☑ **Discount of 25%** from regular price of service and related installed parts not covered by the agreement; also, 25% off regular price of preventive maintenance check
- ☑ **Fast help by phone** – we call it Rapid Resolution – phone support from a Sears representative. Think of us as a “talking owner's manual.”

Once you purchase the Repair Protection Agreement, a simple phone call is all that it takes for you to schedule service. You can call anytime day or night, or schedule a service appointment online.

The Repair Protection Agreement is a risk-free purchase. If you cancel for any reason during the product warranty period, we will provide a full refund. Or, a prorated refund anytime after the product warranty period expires. Purchase your Repair Protection Agreement today!

Some limitations and exclusions apply. For prices and additional information in the U.S.A. call 1-800-827-6655.

***Coverage in Canada varies on some items. For full details call Sears Canada at 1-800-361-6665.**

Sears Installation Service

For Sears professional installation of home appliances, garage door openers, water heaters, and other major home items, in the U.S.A. or Canada call **1-800-4-MY-HOME®**.

ÍNDICE

Declaración de garantía.....	49	Servicio y Mantenimiento	64-72
Instrucciones sobre seguridad	50-54	Almacenamiento fuera de temporada	73
Guía para pendientes.....	55	Solución de problemas	74
Montaje	56-60	Número de servicio.....	Cubierta posterior
Funcionamiento.....	61-63		

DECLARACIÓN DE GARANTÍA

GARANTÍA COMPLETA Y PROFESIONAL DE CRAFTSMAN POR DOS AÑOS

POR DOS AÑOS a partir de la fecha de la compra, este producto está garantizado por defectos en los materiales y la mano de obra. Los productos defectuosos serán reparados sin costo o reemplazados sin costo si la reparación no está disponible.

La garantía sólo será válida durante un año a partir de la fecha de compra si este producto se usa en cualquier momento para fines comerciales o de alquiler.

Para obtener información sobre el alcance de la garantía y solicitar la reparación o el reemplazo, visite el sitio Web: www.craftsman.com.

Esta garantía cubre ÚNICAMENTE los defectos en los materiales y en la mano de obra. Esta garantía NO cubre:

- Elementos que se desgastan por el uso normal, incluyendo entre otros pero no limitado a las cuchillas, bujías, filtros de aire, correas, y filtros de aceite.
- Servicios de mantenimiento estándar, cambio de aceite o reajustes.
- Cambio de llantas o reparaciones ocasionados por pinchaduras con objetos del exterior como clavos, espinas, tocones o vidrios, etc.
- Reemplazo o reparación de neumáticos o ruedas como resultado del desgaste normal, un accidente, o funcionamiento o mantenimiento incorrectos.
- Reparaciones requeridas como resultado del abuso del operador, incluyendo pero no limitado a daño ocasionado por objetos que impactan la máquina y que tuercen el bastidor o cigüeñal, o debido a que el motor fue acelerado en exceso.
- Reparaciones necesarias debido a negligencia del operador, incluyendo entre otros, daños mecánico y eléctrico ocasionado por un almacenamiento no apropiado, no utilizar el aceite de grado y/o cantidad no apropiada, no mantener el área de cubierta sin residuos inflamables, o por no dar mantenimiento al equipo de acuerdo con las instrucciones contenidas en el manual del propietario.
- Limpieza o reparaciones al motor (sistema de combustible) provocadas por un combustible contaminado u oxidado (viejo). En general, el combustible debe utilizarse en un período no mayor de 30 días a partir de su adquisición.
- El deterioro y desgaste normal de los acabados exteriores, o reemplazo de la etiqueta del producto.

Esta garantía le otorga derechos legales específicos, pero usted podría gozar de otros derechos en razón de su lugar de residencia.

Sears Brands Management Corporation, Hoffman Estates, IL 60179

ESPECIFICACIONES DEL PRODUCTO

Caballos de fuerza: 12.5
Aceite del motor: SAE 30
Combustible: Gasolina sin plomo
Bujía: Champion® RC12YC
Motor: Briggs & Stratton PowerBuilt™

NÚMERO DE MODELO

Número de modelo _____
Número de serie _____
Fecha de compra _____
Registre el número de modelo, número de serie y fecha de compra más arriba.

INSTRUCCIONES DE SEGURIDAD

⚠ ADVERTENCIA

La presencia de este símbolo indica que se trata de instrucciones importantes de seguridad que se deben respetar para evitar poner en peligro su seguridad personal y/o material y la de otras personas. Lea y siga todas las instrucciones de este manual antes de poner en funcionamiento esta máquina. Si no respeta estas instrucciones podría provocar lesiones personales. Cuando vea este símbolo, ¡preste atención a la advertencia!

⚠ ADVERTENCIA

PROPOSICIÓN 65 DE CALIFORNIA

El escape del motor de este producto, algunos de sus componentes y algunos componentes del vehículo contienen o liberan sustancias químicas que el estado de California considera que pueden producir cáncer, defectos de nacimiento u otros problemas reproductivos. Los bornes de la batería y los accesorios afines contienen plomo y compuestos de plomo, sustancias químicas que según lo establecido por el Estado de California causan cáncer y daños en el sistema reproductivo. *Lávese las manos después de estar en contacto con estos componentes.*

⚠ PELIGRO

Esta máquina fue construida para ser operada de acuerdo con las reglas de seguridad contenidas en este manual. Al igual que con cualquier tipo de equipo motorizado, un descuido o error por parte del operador puede producir lesiones graves. Esta máquina es capaz de amputar manos y pies y de arrojar objetos con gran fuerza. De no respetar las instrucciones de seguridad siguientes se pueden producir lesiones graves o la muerte.

⚠ ADVERTENCIA

Su responsabilidad—Restrinja el uso de esta máquina motorizada a las personas que lean, comprendan y respeten las advertencias e instrucciones que aparecen en este manual y en la máquina.

¡GUARDE ESTAS INSTRUCCIONES!

FUNCIONAMIENTO

Funcionamiento general:

- Lea y siga todas las instrucciones contenidas en este manual antes de intentar ensamblar esta máquina. Lea, comprenda y siga todas las instrucciones que figuran en la máquina y en el o los manuales antes de intentar operarla. Familiarícese completamente con los controles y con el uso apropiado de esta máquina antes de operarla. Guarde este manual en un lugar seguro para referencias futuras y regulares y para solicitar repuestos.
- Esta máquina es una pieza de equipo de precisión, no un juguete. Por tanto, tenga la máxima precaución en todo momento. Su unidad ha sido diseñada para realizar una tarea: cortar el césped. No la utilice con ningún otro propósito.
- No permita nunca que los niños menores de 14 años operen esta máquina. Los niños de 14 años y más deben leer y comprender las instrucciones contenidas en este manual y deben ser capacitados y supervisados por uno de los padres. Únicamente los individuos responsables que se hayan familiarizado con estas reglas de seguridad para la operación deberán usar esta máquina.
- Inspeccione minuciosamente el área en donde utilizará el equipo. Saque todas las piedras, palos, cables, huesos, juguetes y otros objetos extraños con los que podría tropezar o que podrían ser arrojados por la cuchilla. Los objetos arrojados por la máquina pueden producir lesiones graves. Planifique el patrón en el que va a ir descargando el recorte para evitar que la descarga de material se realice hacia los caminos, las veredas, los observadores, etc. Evite además descargar material contra las paredes y obstrucciones que podrían provocar que el material descargado rebote contra el operador.
- Para ayudar a evitar el contacto con la cuchilla o una lesión por un objeto arrojado, manténgase en la zona del operador detrás de las manijas y mantenga a los niños, observadores, ayudantes y mascotas apartados al menos 25 metros de la podadora mientras está en operación. Detenga la máquina si alguien entra en la zona.
- Para protegerse los ojos utilice siempre anteojos o antiparras de seguridad mientras opera la máquina o mientras la ajusta o repara. Los objetos arrojados que rebotan pueden lesionar gravemente la vista.
- Utilice zapatos de trabajo resistentes, de suela fuerte y pantalones y camisas ajustados. Se recomienda utilizar camisas y pantalones que cubran los brazos y las piernas, así como calzado con puntas reforzadas en acero. Nunca opere esta máquina con los pies desnudos, sandalias, o con zapatos ligeros o con los que se pueda resbalar (por ejemplo, calzado de lona).
- No ponga las manos o los pies cerca de las piezas rotatorias o en la tolva de la cortadora. El contacto con las cuchillas puede producir la amputación de manos y pies.

INSTRUCCIONES DE SEGURIDAD

- Una cubierta de descarga faltante o dañada puede provocar el contacto con la cuchilla o lesiones por objetos arrojados.
- Muchas lesiones ocurren como resultado de pasar la cortadora sobre los pies durante una caída provocada por derrapes o tropiezos. No se sostenga de la podadora si se está cayendo, suelte la manija inmediatamente.
- Nunca tire hacia usted la podadora mientras camina. Si debe retroceder la podadora para evitar una pared u obstáculo, mire primero abajo y atrás para evitar tropezarse y luego siga estos pasos:
 1. Retroceda de la podadora hasta estirar completamente sus brazos.
 2. Asegúrese que está bien equilibrado y bien parado.
 3. Tire de la podadora lentamente hacia usted, no más allá de la mitad de la distancia entre usted y la podadora.
 4. Repita estos pasos como se requiera.
- No opere esta máquina estando bajo los efectos del alcohol o de drogas.
- No embrague el mecanismo de autopropulsión en unidades con este equipo mientras arranca el motor.
- El mecanismo de control de la cuchilla es un dispositivo de seguridad. Nunca intente desviarse de su funcionamiento. De hacerlo no funcionarían los dispositivos de seguridad y podrían producirse lesiones personales por el contacto con las cuchillas giratorias. Las manijas de control de la cuchilla deben funcionar bien en ambas direcciones y regresar automáticamente a la posición de desengrane cuando se las suelta.
- Nunca opere la podadora en césped húmedo. Siempre esté seguro de su equilibrio. Si tropieza y cae puede lesionarse gravemente. Si siente que pierde el equilibrio, suelte inmediatamente la manija de control de la cuchilla y la cuchilla dejará de girar en tres segundos.
- Corte el césped solamente con luz de día o con una buena luz artificial. Camine, nunca corra.
- Detenga la cuchilla cuando cruce caminos de gravilla, pasos o andadores.
- Si la máquina comenzara a vibrar de manera anormal, detenga el motor, y busque inmediatamente la causa. La vibración por lo general es una advertencia de algún problema.
- Apague el motor y espere hasta que la cuchilla se detenga completamente antes de retirar la guarda para el recorte de césped o desatorar la tolva. La cuchilla continúa girando por unos cuantos segundos después que el motor se ha apagado. Nunca coloque ninguna parte del cuerpo en el área de la cuchilla hasta que esté seguro que la cuchilla ha detenido su movimiento rotatorio.
- Nunca opere la cortadora sin las guardas apropiadas, cubierta de descarga, guarda para recorte, manija de control de la cuchilla y otros dispositivos de seguridad y protección en su lugar y funcionando. Nunca opere la cortadora si los dispositivos de seguridad están dañados. Si no lo hace, esto puede tener como resultado lesiones.
- El silenciador y el motor se calientan y pueden producir quemaduras. No los toque.
- Utilice solamente partes y accesorios fabricados especialmente para esta máquina, originales del fabricante (OEM). Si no lo hace, esto puede tener como resultado lesiones personales.
- Para encender el motor, jale de la cuerda lentamente hasta que sienta resistencia, luego jale rápidamente. El repliegue rápido de la cuerda de arranque (tensión de retroceso) le jalará la mano y el brazo hacia el motor más rápido de lo que usted puede soltar. El resultado pueden ser huesos rotos, fracturas, hematomas o esguinces.
- Si se presentan situaciones que no están previstas en este manual sea cuidadoso y use el sentido común. Contacto 1-800-659-5917 para información y asistencia.

DIENTES

Las pendientes son un factor importante que se relaciona con los accidentes producidos por derrapes y caídas y que pueden producir lesiones graves. La operación en pendientes requiere mayor precaución. Si no se siente seguro en una pendiente, no la puede. Para seguridad, use el medidor de pendientes que se incluye como parte de este manual para medir la pendiente antes de operar la unidad en una zona inclinada. Si la pendiente supera los 15 grados, no la puede.

Haga lo siguiente:

- Mueva la podadora a través de las caras de la pendiente, nunca hacia arriba y abajo. Tenga cuidado cuando cambie de dirección cuando opere la máquina en pendientes.
- Esté atento a los agujeros, raíces, rocas, objetos ocultos o abultamientos que puedan provocar que se derrape o se tropiece. El césped alto puede ocultar obstáculos.
- Siempre esté seguro de su equilibrio. Si tropieza y cae puede lesionarse gravemente. Si siente que pierde el equilibrio, suelte inmediatamente la manija de control de la cuchilla y la cuchilla dejará de girar en tres (3) segundos.

No haga lo siguiente:

- No corte el césped cerca de pozos, hundimientos, bancos, podría perder el equilibrio.
- No puede pendientes mayores de 15 grados como lo indica el medidor de pendientes.
- No puede el césped húmedo. Si no está firmemente parado, puede resbalarse.

INSTRUCCIONES DE SEGURIDAD

NIÑOS

Pueden ocurrir accidentes trágicos si el operador no está atento a la presencia de niños. Por lo general a los niños les atraen las podadoras y la actividad de podar el césped. No entienden los riesgos ni los peligros. Nunca dé por sentado que los niños permanecerán en el mismo lugar donde los vio por última vez.

- Mantenga a los niños fuera del área de trabajo y bajo estricta vigilancia de un adulto responsable además del operador.
- Esté alerta y apague la podadora si un niño ingresa al área.
- Antes y mientras se está moviendo hacia atrás, mire hacia atrás y cuide que no haya niños.
- Tenga extrema precaución cuando se aproxime a esquinas ciegas, entradas de puertas, árboles u otros objetos que puedan obstaculizarle la vista de un niño que pudiese correr hacia la podadora.
- Mantenga alejados a los niños de los motores en marcha o calientes. Pueden sufrir quemaduras con un silenciador caliente.
- Nunca permita que niños menores de 14 años operen esta máquina. Los niños mayores de 14 años deben leer y entender las instrucciones de operación y reglas de seguridad contenidas en este manual y deben ser entrenados y supervisados por sus padres.

SERVICIO

Manejo seguro de la gasolina:

- Para evitar lesiones personales o daños materiales sea sumamente cuidadoso al manipular la gasolina. La gasolina es altamente inflamable y los vapores son explosivos. Se puede lesionar gravemente si derrama gasolina sobre usted o sobre la ropa ya que se puede encender.
- Utilice sólo recipientes para gasolina autorizados.
- Nunca llene los contenedores en el interior de un vehículo o camión o caja de camioneta con recubrimientos plásticos. Coloque siempre los recipientes en el piso y lejos del vehículo antes de llenarlos.
- Retire el equipo a gasolina del camión o remolque y llénelo en el piso. Si esto no es posible, entonces llene dicho equipo en un remolque con un recipiente portátil, en vez de desde un dispensador de gasolina.
- Mantenga la boquilla de llenado en contacto con el borde de la entrada del tanque de gasolina o contenedor en todo momento hasta que esté lleno. No utilice un dispositivo para abrir/cerrar la boquilla.
- Apague todos los cigarrillos, cigarras, pipas y otras fuentes de combustión.
- Nunca cargue combustible en la máquina en interiores porque Los vapores inflamables podrían acumularse en el área.

- Nunca saque la tapa del gas ni agregue combustible mientras el motor está caliente o en marcha. Deje que el motor se enfríe por lo menos dos minutos antes de volver a cargar combustible.
- Nunca recargue el tanque de combustible. Llene el tanque no más de 1 pulgada por debajo de la base del cuello de llenado para dejar espacio para la expansión del combustible.
- Vuelva a colocar la tapa de la gasolina y ajústela bien.
- Limpie la gasolina derramada sobre el motor y el equipo. Traslade la máquina a otra zona. Espere 5 minutos antes de encender el motor.
- Nunca almacene la máquina o el recipiente de combustible en un espacio cerrado donde haya fuego, chispas o aparatos con piloto como por ejemplo, calentadores de agua, calentadores, hornos, secadores de ropa u otros aparatos a gas.
- Para reducir el riesgo de incendio mantenga la máquina limpia de pasto, hojas y de acumulación de otros escombros. Limpie los derrames de aceite o combustible y saque todos los desechos embebidos con combustible.
- Deje que la máquina se enfríe 5 minutos por lo menos antes de almacenarla.

Funcionamiento general:

- Nunca encienda un motor en espacios cerrados o en una zona con poca ventilación. El escape del motor contiene monóxido de carbono, un gas inodoro y letal.
- Antes de limpiar, reparar o inspeccionar la máquina, compruebe que la cuchilla y todas las partes que se mueven se han detenido. Desconecte el cable de la bujía y póngalo de manera que haga masa contra el motor para evitar que se encienda de manera accidental.
- Revise los pernos de montaje de la cuchilla y del motor a intervalos frecuentes para verificar que estén bien apretados. Inspeccione además visualmente la cuchilla en busca de daños (abolladuras, desgaste, roturas, etc.). Reemplace la cuchilla con equipo original del fabricante (OEM) listado en este manual. La utilización de partes que no cumplan con las especificaciones de equipos originales podría tener como resultado un rendimiento incorrecto y además la seguridad podría estar comprometida.
- Las cuchillas de las podadoras son muy afiladas y podrían cortarlo. Envuelva la cuchilla o utilice guantes y extreme precauciones cuando le de servicio.
- Mantenga todos los pernos, tuercas y tornillos bien ajustados para asegurarse que la máquina se encuentra en condiciones seguras de operación.
- Nunca manipule los dispositivos de seguridad de manera imprudente. Controle periódicamente que funcionen de forma adecuada.

INSTRUCCIONES DE SEGURIDAD

- Después de golpear con algún objeto extraño, detenga el motor, desconecte el cable de la bujía y conecte el motor a masa. Inspeccione minuciosamente la máquina para determinar si está dañada. Repare el daño antes de encenderla y operarla.
- Nunca trate de ajustar una rueda o la altura de corte mientras el motor está en marcha.
- Los componentes de la tolva para recorte, cubierta de descarga y escudo de riel, están sujetos a desgaste y daños que podría dejar expuestas partes que se mueven o permitir que se arrojen objetos. Para proteger su seguridad, verifique frecuentemente todos los componentes y reemplácelos sólo con partes de los fabricantes de equipos originales (O.E.M.) listadas en este manual. La utilización de partes que no cumplan con las especificaciones de equipos originales podría tener como resultado un rendimiento incorrecto y además la seguridad podría estar comprometida.
- No cambie la configuración del regulador del motor ni acelere demasiado el mismo. El regulador controla la velocidad máxima segura de operación del motor.
- Verifique frecuentemente la línea de combustible, el tanque, el tapón, y los accesorios buscando rajaduras o pérdidas. Reemplace de ser necesario.
- No dé arranque al motor si no está la bujía de encendido.
- Mantenga o reemplace las etiquetas de seguridad, según sea necesario.
- Observe las leyes y normas aplicables para disponer adecuadamente de los desechos. La descarga inapropiada de líquidos o materiales puede dañar el medio ambiente.
- Según la Comisión de Seguridad de Productos para el Consumidor de los Estados Unidos (CPSC) y la Agencia de Protección Ambiental de los Estados Unidos (EPA), este producto tiene una *vida útil media* de siete (7) años, ó 140 horas de funcionamiento. Al finalizar la *vida útil media*, adquiera una máquina nueva o haga inspeccionar anualmente ésta Sears por uno u otro distribuidor de servicios para cerciorarse de que todos los sistemas mecánicos y de seguridad funcionan correctamente y no tienen excesivo desgaste. Si no lo hace, pueden producirse accidentes, lesiones o muerte.

NO MODIFIQUE EL MOTOR

Para evitar lesiones graves o la muerte, no modifique el motor bajo ninguna circunstancia. Si cambia la configuración del regulador del motor el motor puede descontrolarse y operar a velocidades inseguras. Nunca cambie la configuración de fábrica del regulador del motor.

AVISO REFERIDO A EMISIONES

Los motores que están certificados y cumplen con las regulaciones de emisiones federales EPA y de California para SORE (Equipos pequeños todo terreno) están certificados para operar con gasolina común sin plomo y pueden incluir los siguientes sistemas de control de emisiones: Modificación de motor (EM) y catalizador de tres vías (TWC) si están equipados de esa manera.

GUARDACHISPAS

ADVERTENCIA

Esta máquina está equipada con un motor de combustión interna y no debe ser utilizada en o cerca de un terreno agreste cubierto por bosque, malezas o hierba excepto si el sistema de escape del motor está equipado con un amortiguador de chispas que cumpla con las leyes locales o estatales correspondientes, en caso de haberlas.






Si se utiliza un amortiguador de chispas el operador lo debe mantener en condiciones de uso adecuadas. En el Estado de California las medidas anteriormente mencionadas son exigidas por ley (Artículo 4442 del Código de Recursos Públicos de California). Es posible que existan leyes similares en otros estados. Las leyes federales se aplican en territorios federales.

Puede conseguir el amortiguador de chispas para el silenciador a través de su distribuidor autorizado de motores o poniéndose en contacto con el centro de servicio Sears.

INSTRUCCIONES DE SEGURIDAD

SÍMBOLOS DE SEGURIDAD

Esta página representa y describe la seguridad los símbolos que pueden parecer en este producto. Lea, comprenda, y siga todas instrucciones en la máquina antes procurar para reunir y operar.

Símbolo	Descripción
	LEA EL MANUAL(S) DEL OPERADOR Lea, comprenda, y siga todas instrucciones en el manual (manuales) antes procurar para reunir y operar.
	PELIGRO— GIRANDO HOJAS Para reducir el riesgo de herida, guarde manos y pies lejos. No funcione a menos que la tapa de descarga o el receptor de hierba estén en su lugar apropiado. De ser dañado, sustituya inmediatamente.
	PELIGRO— ESPECTADORES No siegue cuando los niños o los otros están alrededor.
	PELIGRO— DÉ EL CORTE DE PIE/ Guarde manos y pies lejos de hacer girar partes.
	PELIGRO— ESCOMBROS LANZADOS Quite objetos que pueden ser lanzados por la lámina en cualquier dirección. Lleve gafas de seguridad.
	PELIGRO— CUESTAS Use extra la precaución en cuestas. No siegue cuestas mayores que 15 °.
	ADVERTENCIA DESPIDA Para reducir el riesgo de incendio mantenga la máquina limpia de pasto, hojas y de acumulación de otros escombros.
	ADVERTENCIA VAPORES TÓXICOS Nunca encienda un motor en espacios cerrados o en una zona con poca ventilación. El escape del motor contiene monóxido de carbono, un gas inodoro y letal.
	ADVERTENCIA — SUPERFICIE CALIENTE Las partes del motor, especialmente el silenciador, llega a ser muy caliente durante la operación. Permita motor y silenciador para ponerse frío antes de tocar.

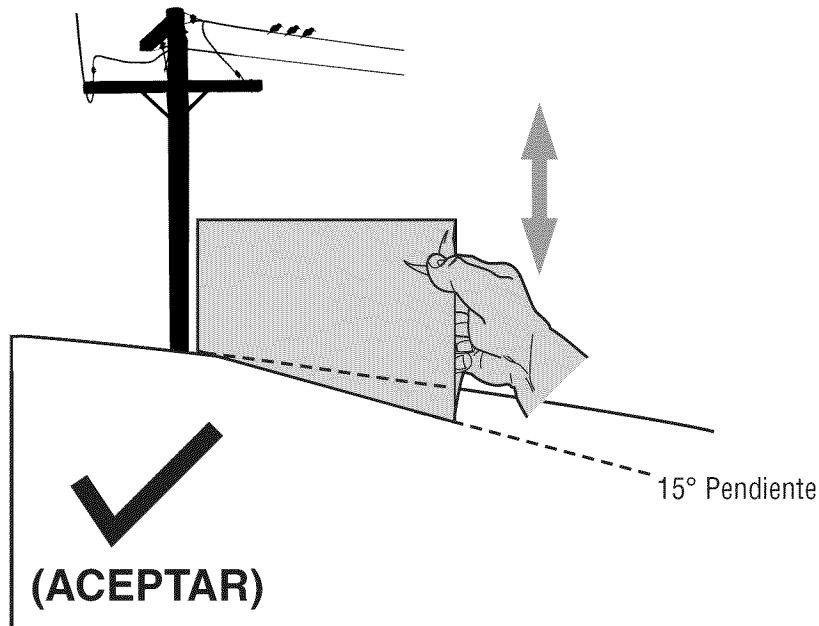


Figura 1

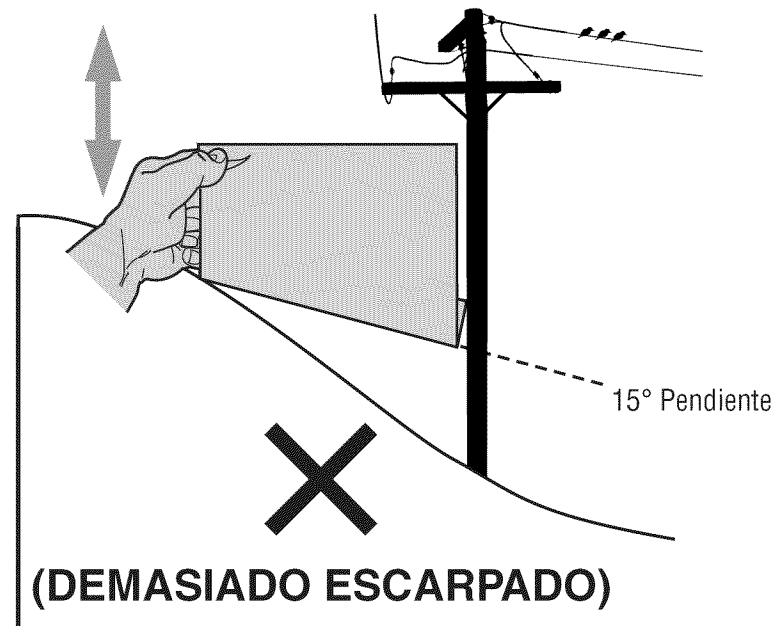
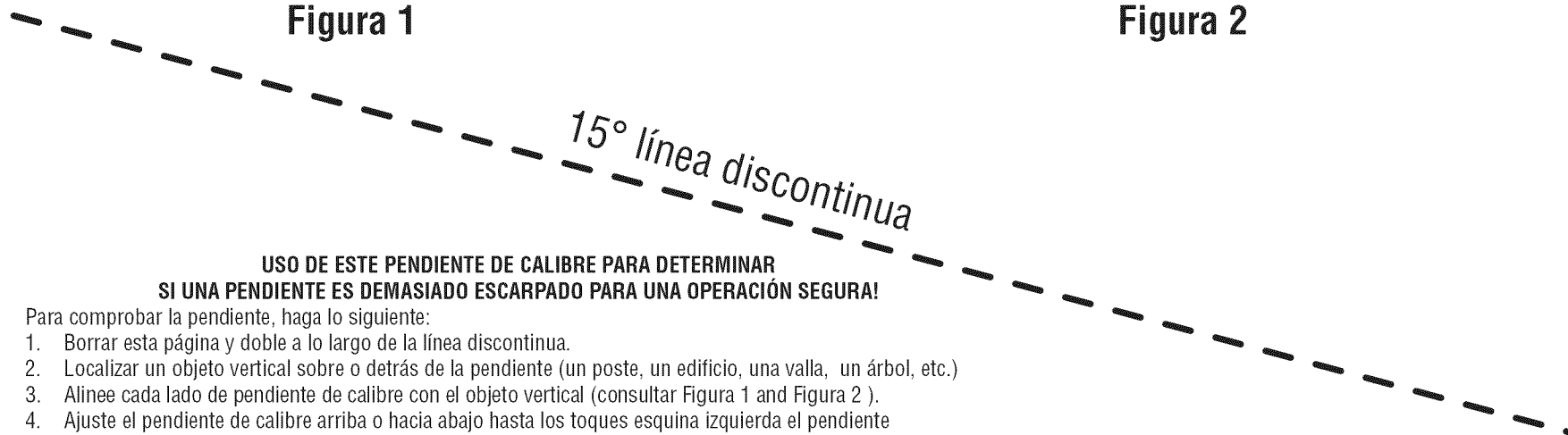


Figura 2



USO DE ESTE PENDIENTE DE CALIBRE PARA DETERMINAR SI UNA PENDIENTE ES DEMASIADO ESCARPADO PARA UNA OPERACIÓN SEGURA!

Para comprobar la pendiente, haga lo siguiente:

1. Borrar esta página y doble a lo largo de la línea discontinua.
2. Localizar un objeto vertical sobre o detrás de la pendiente (un poste, un edificio, una valla, un árbol, etc.)
3. Alinee cada lado de pendiente de calibre con el objeto vertical (consultar Figura 1 and Figura 2).
4. Ajuste el pendiente de calibre arriba o hacia abajo hasta los toques esquina izquierda el pendiente (consultar Figura 1 and Figura 2).
5. Si hay un espacio por debajo de la pendiente de calibre, el pendiente es demasiado escarpa por operación segura (consultar Figura 2 above).

⚠ ADVERTENCIA

Las pendientes son un factor importante relacionado con un vuelco y renovación de los accidentes que pueden provocar lesiones graves o la muerte. No utilice la máquina en pendientes de más de 15 grados. Todos pendientes requiere mayor precaución. Si no puede retroceder en la pendiente o si se siente inseguro en ella, no la recorte. Siempre corte el césped en toda la superficie de la cuesta. Nunca arriba y abajo las pendientes.

MONTAJE

IMPORTANTE: Esta unidad se envía sin aceite en el motor. Después del montaje, consulte la página 61 para los detalles del combustible y el aceite.

IMPORTANTE: Las referencias a los lados derecho o izquierdo de la cortadora de césped se hacen observando la máquina desde la posición de operación.

⚠ ADVERTENCIA

La plataforma de la cortadora de césped puede arrojar objetos. En caso de operar la cortadora de césped sin colocar el canal de descarga en la posición adecuada para el funcionamiento, podrían producirse graves lesiones personales y/o daños materiales.

⚠ ADVERTENCIA

Desconecte el cable de la bujía y póngalo haciendo masa contra el motor para evitar que se encienda accidentalmente.

PIEZAS SUELTAS DENTRO DE LA CAJA

Manual del Operador, Manguera de drenaje de aceite, Acoplador de Manguera de Agua

HERRAMIENTAS NECESARIAS PARA EL MONTAJE

Un juego de llaves ajustables y un manómetro para neumáticos

CONFIGURACIÓN DE LA CORTADORA DE CÉSPED

Extracción de la traba de seguridad utilizada en el envío

⚠ ADVERTENCIA

Asegúrese de que el motor de la cortadora de césped esté apagado. Quite la llave de encendido antes de retirar la traba de seguridad utilizada en el envío.

1. Localice la traba de seguridad que, si la hay, se encuentra en la parte derecha de la plataforma de corte. Vea la Figura 1.

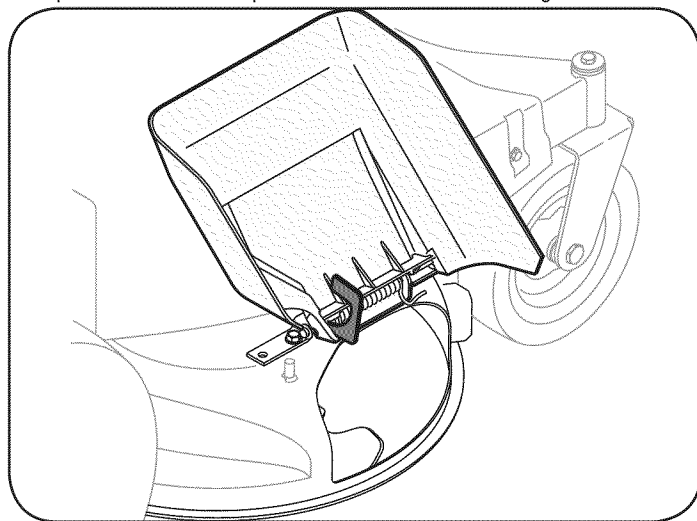


Figura 1

2. Mientras sostiene el canal de descarga con su mano izquierda, extraiga con la mano derecha la traba de seguridad, sujetándola entre los dedos pulgar e índice y rotándola en el sentido de las agujas del reloj.

⚠ ADVERTENCIA

La traba de seguridad se usa únicamente para el embalaje. Retire y deseche la traba antes de operar la cortadora de césped.

⚠ ADVERTENCIA

La plataforma de la cortadora de césped puede arrojar objetos. En caso de operar la cortadora de césped sin colocar la cubierta de descarga en la posición de funcionamiento adecuada, podrían producirse graves lesiones personales y/o daños materiales.

INSTALACIÓN DE LOS CABLES DE LA BATERÍA

NOTA: El borne positivo de la batería está marcado como Pos (+). El borne negativo de la batería está marcado como Neg (-).

El cable positivo (grosso, de color rojo) viene de fábrica sujeto al borne positivo de la batería (+) por medio de un perno hexagonal y una tuerca hexagonal.

El cable negativo (grosso, de color negro) puede venir de fábrica sujeto al borne negativo de la batería. Si no se entrega unido, proceda del siguiente modo:

1. Retire el perno del carro y la tuerca hexagonal del cable positivo (cable rojo grosso).
2. Retire la cubierta plástica roja, si es que está presente, del borne positivo de la batería y una el cable positivo al borne positivo de la batería (+) utilizando el perno y la tuerca hexagonal. Vea la Figura 2.

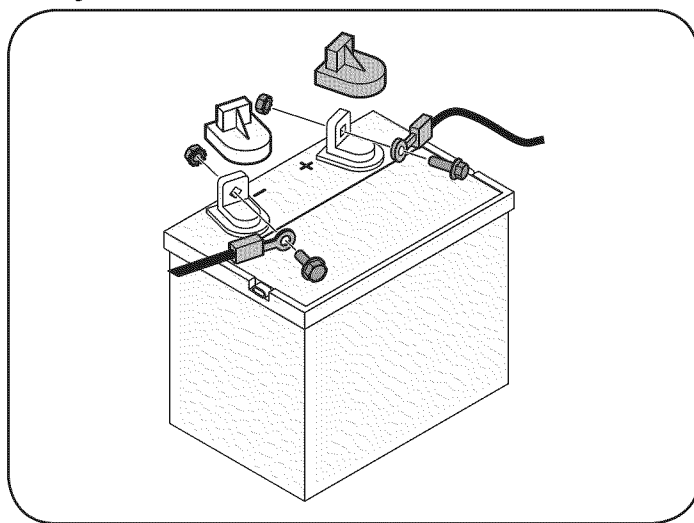


Figura 2

3. Retire el perno del carro y la tuerca hexagonal del cable negativo (cable negro grosso).
4. Retire la cubierta plástica negra, si es que está presente, del borne negativo de la batería y una el cable negativo al borne negativo de la batería (-) utilizando el perno y la tuerca hexagonal. Vea la Figura 2.
5. Asegúrese de que la varilla de sujeción está colocada sobre la batería, manteniéndola en su lugar y asegúrese de que el borne positivo de la batería esté cubierto con el capuchón de goma rojo para protegerlo de la corrosión.

MONTAJE

NOTA: Si la batería se pone en funcionamiento después de la fecha indicada en la parte superior o al costado de la misma, cárguela siguiendo las instrucciones de la sección Mantenimiento de este manual antes de hacer funcionar la cortadora.

Despliegue de la manija

1. Extraiga las perillas en estrella y los tornillos del carro de la manija inferior. Vea la Figura 3.

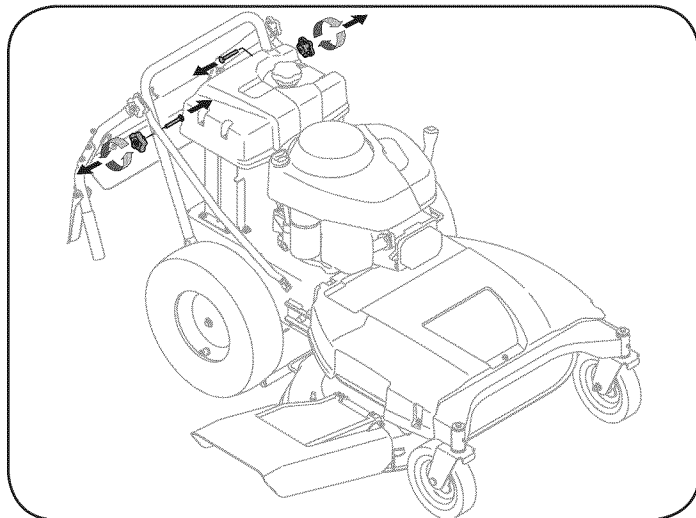


Figure 3

2. Gire la manija superior a la posición de funcionamiento. Tenga cuidado de no presionar los cables. Vea la Figura 4.

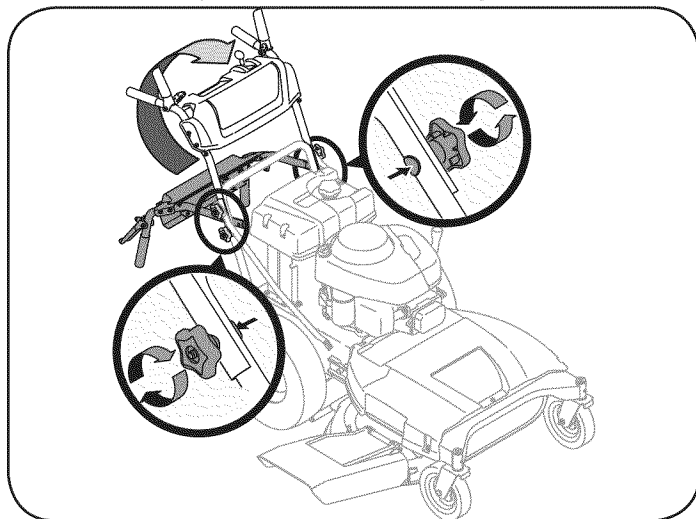


Figure 4

3. Vuelva a instalar los tornillos del carro y las perillas extraídos anteriormente.
4. Ajuste las perillas en estrella superiores e inferiores y los tornillos del carro para asegurar la manija superior a la inferior. Vea la Figura 4.
5. Después de armar la manija, para extraer con seguridad la unidad del pálet, saque primero los tornillos que fijan la cortadora al cajón.

Colocación de la palanca de cambios

1. Extraiga el tornillo y la tuerca de seguridad que sujetan la palanca

de cambios a la placa de la palanca de cambios. Vea la Figura 5.

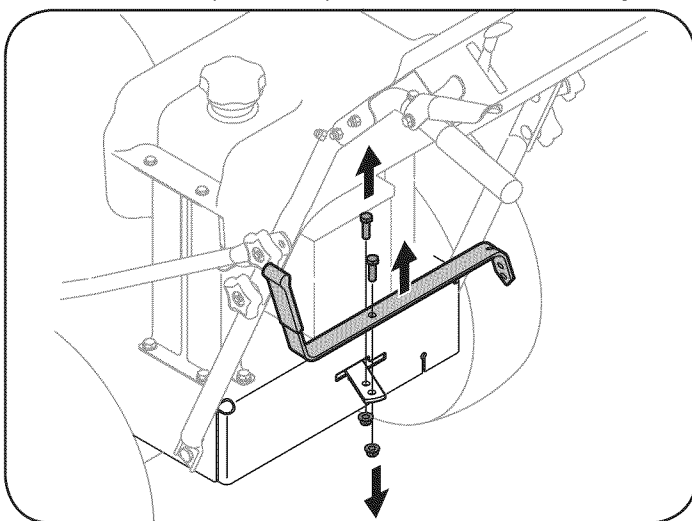


Figure 5

2. Extraiga el tornillo y la tuerca restantes de la placa de la palanca de cambios inferior. Vea la Figura 5.
3. Coloque la palanca de cambios superior en posición vertical alineando los orificios de la palanca con los de la placa de cambios. Vea la Figura 6.

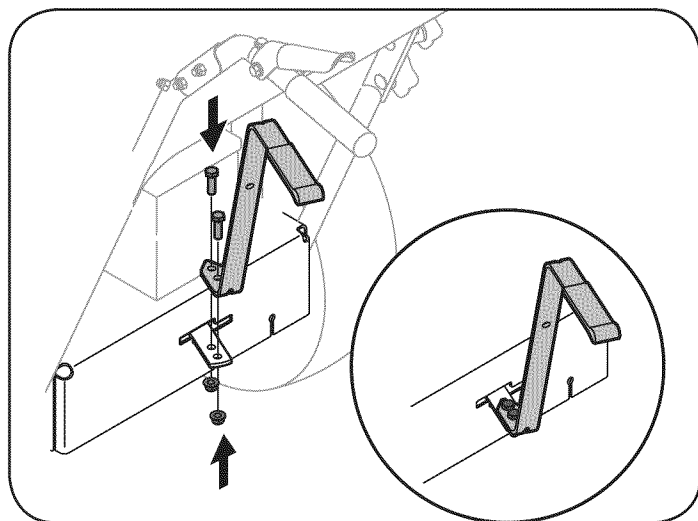


Figure 6

4. Asegure la palanca a la placa usando los dos tornillos y las dos tuercas extraídos anteriormente. Vea el recuadro de la Figura 6.

Control de la presión de los neumáticos

⚠ ADVERTENCIA

La presión máxima de los neumáticos en cualquier circunstancia es de 30 psi. Se debe mantener una presión uniforme para todos los neumáticos en todo momento.

Es posible que los neumáticos traseros hayan sido excesivamente inflados para despachar el producto. Reduzca la presión de los neumáticos antes de hacer funcionar la cortadora. La presión de neumáticos recomendada para el funcionamiento es de aproximadamente 20 p.s.i.

Consulte en los laterales de los neumáticos la presión máxima en p.s.i.

CONOZCA SU CORTADORA DE CÉSPED

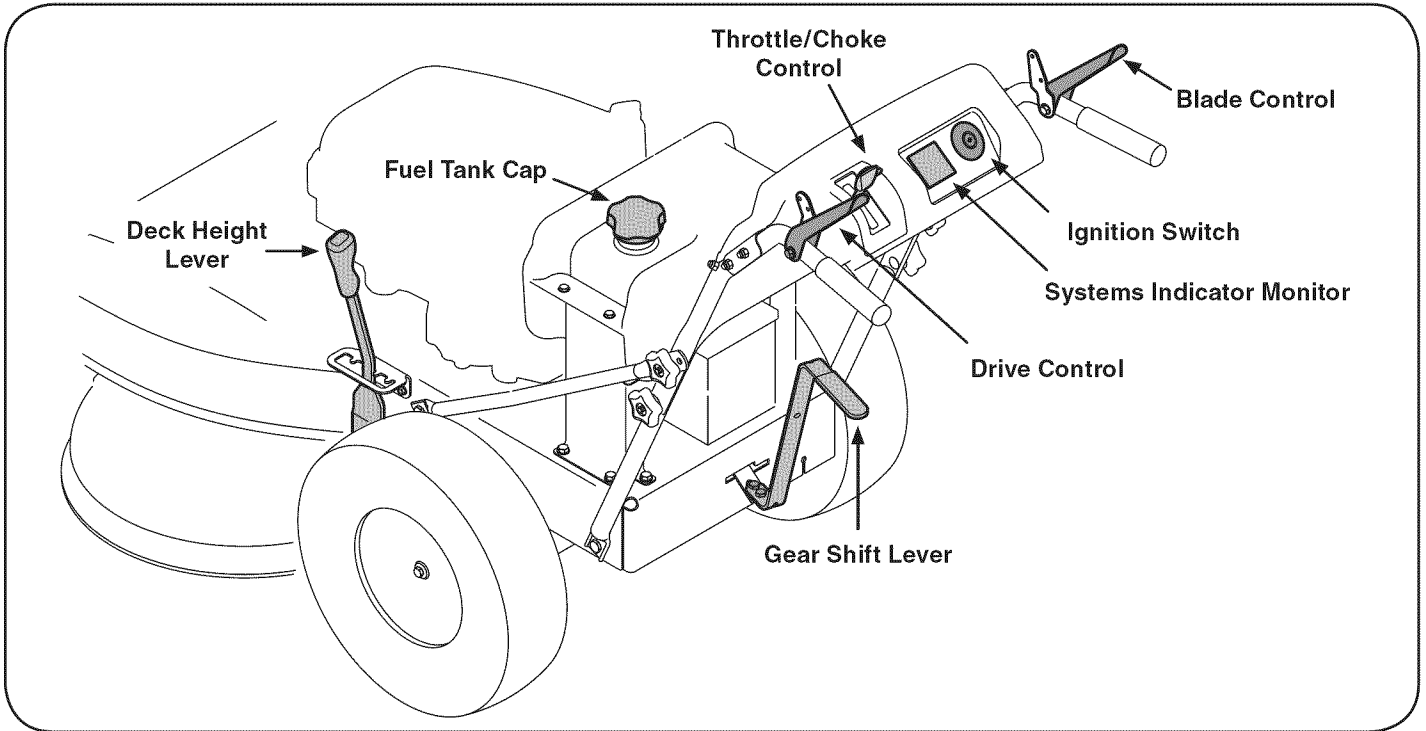


Figure 7

CONTROLES DEL MOTOR

Consulte la Figura 8 para ver la ubicación de los controles del motor.

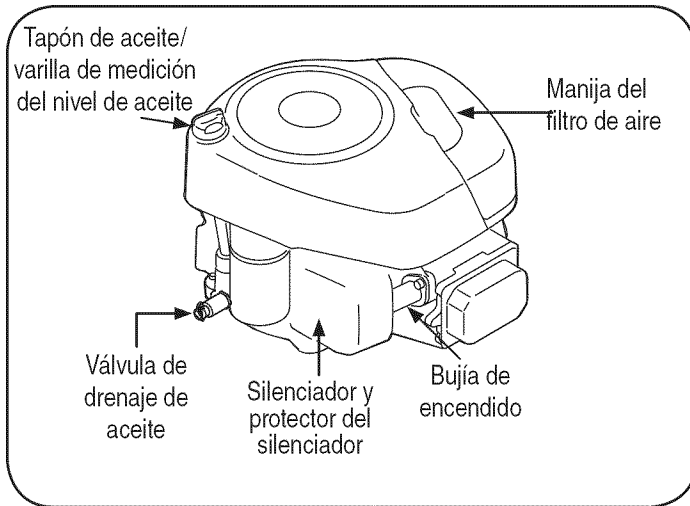


Figura 8

Válvula de drenaje de aceite

Use la válvula de drenaje de aceite para drenar el aceite del motor. Consulte la sección de Mantenimiento para obtener instrucciones.

Manija del filtro de aire

La manija del depurador de aire se usa para acceder al depurador de aire. El cartucho purificador de aire se puede extraer para limpiar o reemplazar. Consulte la sección de Mantenimiento para obtener detalles.

Bujía de encendido

Consulte la sección de Mantenimiento para obtener instrucciones sobre el reemplazo de bujías.

Tapón de aceite/varilla de medición del nivel de aceite

Consulte la sección de Mantenimiento para obtener instrucciones sobre cómo verificar el aceite.

CONTROLES DEL CORTADORA

Consulte la Figura 7 para ver la ubicación de los controles del motor.

PALANCA DE CONTROL DEL REGULADOR / CEBADOR

NOTE: Cuando opere la cortadora de césped con la plataforma de corte colocada, asegúrese de que la palanca de control del regulador/cebador esté siempre en la posición rápido.

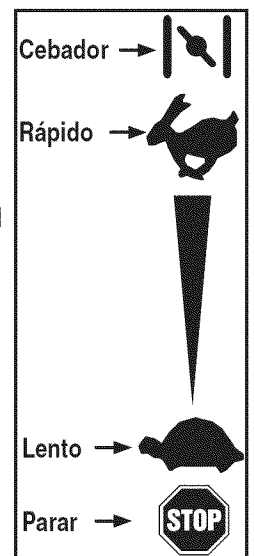
Esta palanca se usa para regular la velocidad del motor, para aplicar el cebador del motor, y para detener el motor. Haga funcionar el motor siempre a alta velocidad para obtener mejores resultados de corte.

Cebador: Utilícelo para arrancar un motor frío

Rápido: Utilícelo durante el funcionamiento de la cortadora.

Lento: Utilícelo durante la marcha lenta.

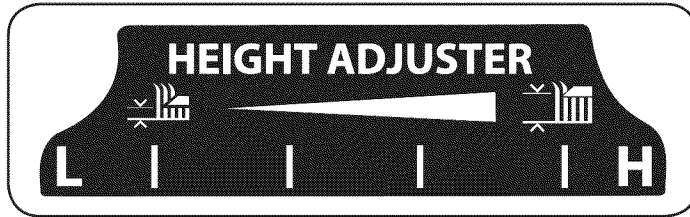
Parar: Detiene el motor.



CONOZCA SU CORTADORA DE CÉSPED

PALANCA DE ALTURA DE LA PLATAFORMA

Use esta palanca para ajustar la altura de corte. Para utilizarla, mueva la palanca hacia la izquierda, luego colóquela en la muesca que mejor se adapte a la aplicación deseada.

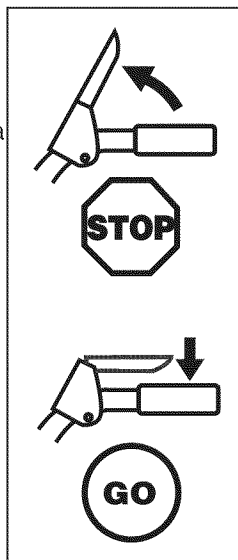


TAPÓN DE COMBUSTIBLE

Retire el tapón de combustible para agregar combustible al tanque de combustible.

CONTROL DE LAS CUCHILLAS

Se usa el control de las cuchillas para enganchar la plataforma de la cortadora. Para enganchar este control, presione y retenga la palanca contra la empuñadura de la barra de control. Para detener las cuchillas, suelte el control de las cuchillas. Desenganche siempre el control de las cuchillas antes de arrancar el motor. Así se asegura de que las cuchillas no comenzarán a girar cuando arranca el motor.



⚠ PRECAUCIÓN

Suelte siempre el control de las cuchillas antes de arrancar el motor. De lo contrario puede ocasionar desgaste prematuro al arranque eléctrico del motor.

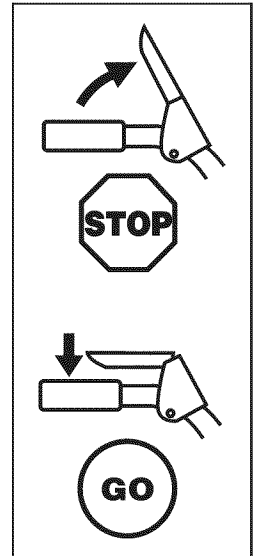
⚠ ADVERTENCIA

Nunca intente detener el motor con el control de las cuchillas enganchado.

CONTROL DE LA TRANSMISIÓN

El control de la transmisión se usa para engranar y desengranar la transmisión de las ruedas. Para enganchar este control, apriete el control de la transmisión contra la empuñadura de la barra de control. Para detener la transmisión, suelte el control de la transmisión.

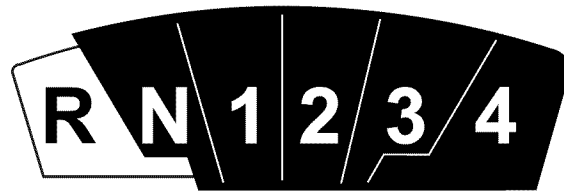
IMPORTANTE: Suelte siempre el control de la transmisión antes de cambiar las velocidades.



⚠ PRECAUCIÓN

Suelte siempre el control de la transmisión antes de cambiar de velocidad. De lo contrario puede ocasionar graves daños a la transmisión.

PALANCA DE CAMBIO DE VELOCIDADES



Use esta palanca para seleccionar una de cuatro velocidades de marcha directa, neutral o marcha atrás.

Marcha directa

Hay cuatro velocidades de marcha directa. La posición uno (1) es la más lenta, y la posición cuatro (4) es la más rápida.

Marcha atrás

Para seleccionar marcha atrás, ponga la palanca en la posición de reversa (R).

⚠ ADVERTENCIA

Mire detrás de la cortadora antes y durante el funcionamiento marcha atrás. Detenga las cuchillas de la cortadora antes de operar marcha atrás.

Neutral

Coloque la palanca en neutro (N) antes de comenzar el cortacésped, y cuando el cortacésped no está en el uso. Además, el cortacésped puede ser a mano empujado o tirado colocando la palanca de cambios en el N posición (neutra) y presionando el control de paseo contra el apretón de manillar.

⚠ PRECAUCIÓN

Suelte siempre el control de la transmisión antes de cambiar de velocidad. De lo contrario puede ocasionar graves daños a la transmisión.

CONOZCA SU CORTADORA DE CÉSPED

INTERRUPTOR DE ENCENDIDO

⚠ ADVERTENCIA

Nunca deje la máquina en funcionamiento sin vigilancia. Siempre desenganche las cuchillas, apague el motor y retire la llave, para evitar el encendido accidental del motor.

El interruptor de cuatro posiciones se usa para encender y apagar el motor de los modelos con arranque eléctrico. Para encender el motor, inserte la llave en el interruptor de encendido y gírela en el sentido de las agujas del reloj hacia la posición **ENCENDIDO**. Suelte la llave en la posición **FUNCIONAMIENTO** una vez que haya arrancado el motor. Mueva la llave en la posición **CORRE/LIGERO** a correr el cortacésped con el faro. Para detener el motor, gire la llave a **PARAR**. Vea la Figura 9.

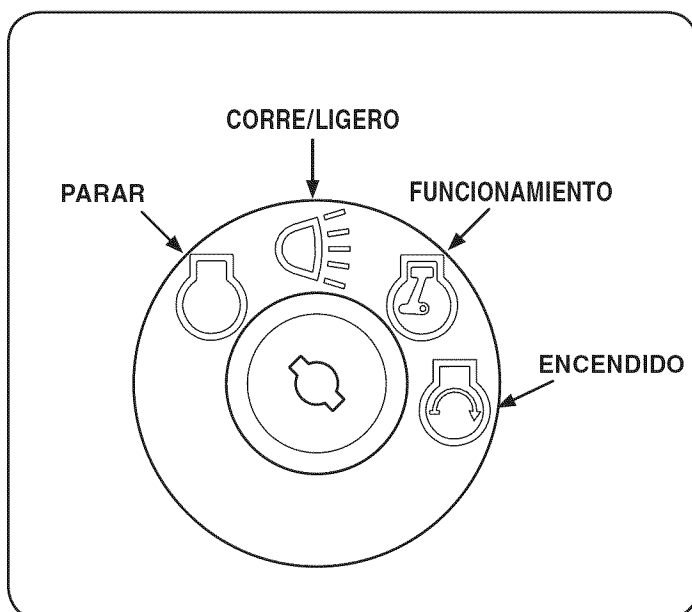


Figura 9

⚠ PRECAUCIÓN

Nunca mueva la llave a la posición Start (encendido) mientras el motor está funcionando; si lo hace, puede ocasionar daños al arrancador del motor.

MONITOR INDICADOR DE SISTEMAS/ MEDIDOR HORARIO

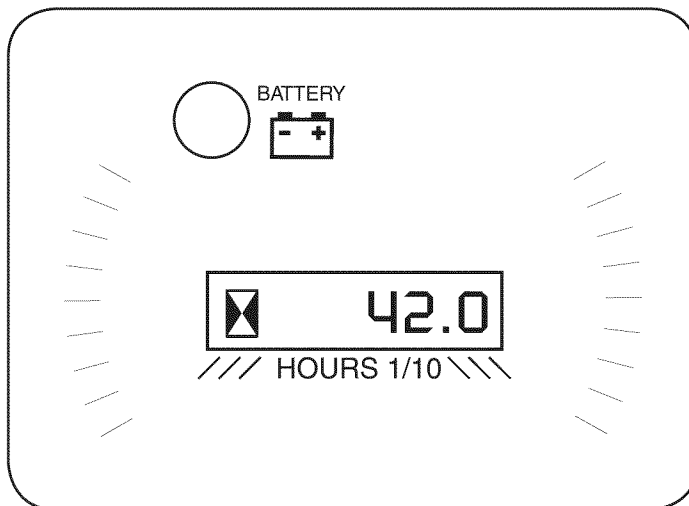


Figura 10

LCD (pantalla de cristal líquido)

Cuando la llave de encendido se rota fuera de la posición STOP (parar) pero no se coloca en la posición START (encendido), el monitor indicador de sistemas muestra la salida de la batería, en voltios, en su pantalla LCD durante aproximadamente cinco segundos, y después muestra un reloj de arena y las horas de funcionamiento de la cortadora. Una vez que el motor ha arrancado, el monitor muestra continuamente un reloj de arena y las horas de funcionamiento de la cortadora en la pantalla. Vea la Figura 10.

NOTA: Las horas de funcionamiento de la cortadora se registran cada vez que la llave de encendido se rota fuera de la posición STOP (detener), independientemente de que se haya arrancado el motor.

El monitor indicador también le recuerda al operador los intervalos de mantenimiento para cambiar el aceite del motor. La pantalla de cristal líquido parpadea alternativamente las horas registradas, "CHG" (cambiar) y "OIL" (aceite) durante cinco minutos, después de cada 50 horas de operación registrada. El intervalo de mantenimiento dura dos horas (entre 50-52, 100-102, 150-152, etc.) La pantalla LCD también parpadea según se describe más arriba, durante cinco minutos, cada vez que el motor de la cortadora se enciende durante el intervalo de mantenimiento. Antes de que finalice el intervalo, cambie el nivel de aceite del motor según se indica en la sección Mantenimiento de este Manual del Operador.

Batería

Es normal que la luz de la batería se ilumine cuando el motor está girando durante el arranque, pero si se ilumina durante la operación, cuando el motor está funcionando, la batería necesita carga o el sistema de carga del motor no está generando amperaje suficiente. Controle la batería como se indica en la sección Servicio de este manual o haga que el sistema de carga sea verificado por su distribuidor Sears u otro distribuidor.

OPERACIÓN

LLENADO DE GASOLINA Y ACEITE

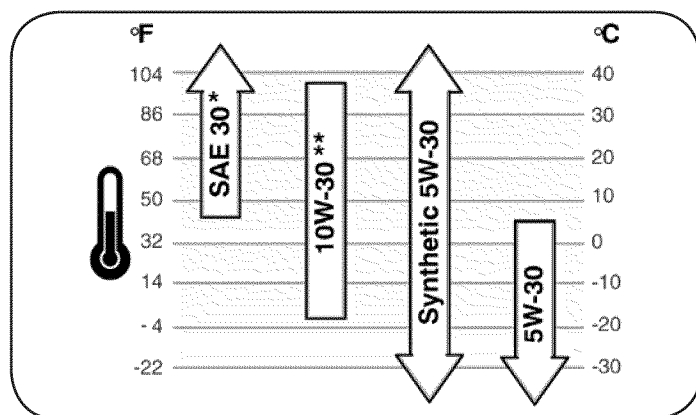
IMPORTANTE: Esta unidad se envía sin gasolina, pero con aceite en el motor. Asegúrese de que el motor con gasolina y revisar el aceite como se indica en esta sección antes de comenzar o el funcionamiento de su máquina.

Aceite

Use aceite para motor de 4 tiempos que cumpla o sobrepase los requisitos para la clasificación de servicio API SF, SG, SH, SJ o equivalente.

Compruebe siempre la etiqueta de servicio API en el recipiente del aceite para asegurarse que incluye las letras SF, SG, SH, SJ o equivalente.

Temperaturas al aire libre de determinar la viscosidad del aceite correcto para el motor. Use la tabla para seleccionar la mejor viscosidad para el rango de temperatura al aire libre se espera.



* Por debajo de 40 ° F (4 ° C) el uso de SAE 30 dará lugar a duros de partida.

** Por encima de 80 ° F (27 ° C) el uso de 10W-30 puede provocar un aumento del consumo de petróleo. Nivel de aceite con más frecuencia.

1. Revise el aceite con el motor parado y nivelado.
2. Quite la tapa del depósito de aceite/varilla medidora del nivel de aceite y límpiela.
3. Coloque y ajuste la varilla indicadora. Luego quítela para revisar el nivel de aceite. Vea la Figura 11.
4. Si el nivel de aceite está cerca o por debajo de la marca de límite bajo de la varilla medidora del nivel de aceite, quite la tapa del depósito de aceite/varilla medidora del nivel de aceite y llénelo con el aceite recomendado hasta la marca de límite superior. No llene de más.
5. Vuelva a instalar la tapa/varilla medidora del nivel de aceite.

Gasolina

⚠ PRECAUCIÓN

No utilice gasolinas no aprobados, tales como E85. No mezcle el aceite en la gasolina o modificar el motor para funcionar con combustibles alternativos. Esto dañará los componentes del motor y anulará la garantía del motor.

De combustible debe cumplir estos requisitos:

- Limpia, fresca, la gasolina sin plomo.
- Un mínimo de 87 octane/87 AKI (91 RON).

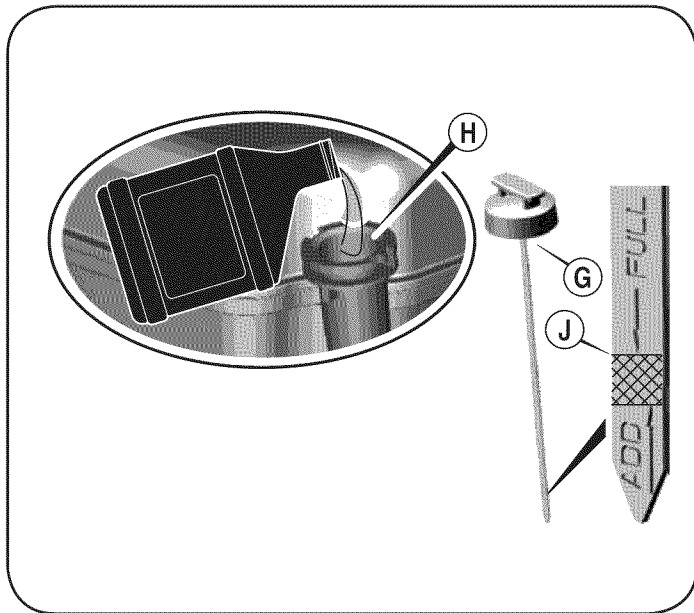


Figura 11

- La gasolina con hasta un 10% de etanol (gasohol) es aceptable. Eche gasolina en un área bien ventilada y con el motor parado. Si el motor ha estado funcionando, deje que se enfrie primero. No eche gasolina a la máquina en el interior de un edificio donde los vapores de la gasolina puedan estar expuestos a alguna llama o chispa.

⚠ ADVERTENCIA

La gasolina es altamente inflamable y explosiva y usted puede quemarse o lesionarse gravemente al reabastecer. Pare el motor y mantenga lejos el calor, las chispas y las llamas. Reabastezca sólo al aire libre. Limpie inmediatamente los derrames.

Si va a usar el equipo de forma intermitente o sólo ocasionalmente, consulte la sección de Almacenamiento Fuera de Temporada para obtener más información sobre el deterioro del combustible.

NOTA: El combustible puede dañar la pintura y algunos tipos de plástico. Tenga cuidado de no derramar combustible cuando llena el tanque.

No use nunca gasolina rancia o contaminada ni mezclas de aceite y gasolina. No permita que entre suciedad o agua en el tanque de combustible.

1. Quite la tapa del tanque de combustible.
2. Agregue combustible hasta la parte inferior del límite de nivel de combustible en el tubo del tanque. No llene de más. Limpie el combustible derramado antes de arrancar el motor.
3. Apriete el tapón firmemente.
4. Antes de arrancar el motor, aléjese al menos 3 metros del emplazamiento y la fuente de la gasolina.

⚠ ADVERTENCIA

Asegúrese de que ninguna persona aparte del operador permanezca cerca de la cortadora mientras arranca el motor u opera la misma. Nunca encienda el motor en espacios cerrados o en una zona con poca ventilación. El escape del motor contiene monóxido de carbono, un gas inodoro y letal. Mantenga las manos, los pies, el cabello y la ropa suelta alejados de las partes móviles del motor y de la cortadora.

OPERACIÓN

ENCENDIDO DEL MOTOR

1. Suelte todos los controles de la cortadora.
2. Mueva la palanca de cambios a la posición neutral (N).
3. Inserte la llave en el interruptor de encendido.
4. Si el motor está frío, mueva el control del regulador/cebador completamente hacia delante, a la posición CHOKE (cebador). Si está volviendo a arrancar un motor caliente, mueva el control del regulador/cebador a la posición FAST (velocidad rápida, representada por una liebre).
5. Gire la llave de encendido en el sentido de las agujas del reloj hasta la posición START (encendido). Una vez que arranque el motor, suelte la llave. Volverá a la posición RUN (funcionamiento).

⚠ PRECAUCIÓN

No mantenga la llave en la posición START (encendido) durante más de cinco segundos por vez. Si lo hace, puede ocasionar daños al arrancador eléctrico del motor.

6. Mueva la llave a la posición CORRE/LIGERO a operar el cortacésped que utiliza el faro.
7. Mueva el control del regulador/cebador a la posición Fast (velocidad rápida, representada por una liebre).

NOTA: Nunca deje el control del regulador/cebador en la posición CHOKE (cebador) mientras opera la cortadora. Si lo hace, se generará una mezcla "rica" de combustibles, lo cual hará que el motor pierda potencia.

DETENCIÓN DEL MOTOR

⚠ ADVERTENCIA

Si golpea un objeto extraño, detenga el motor y saque la llave de encendido. Inspeccione minuciosamente la máquina para ver si está dañada. Repare el daño antes de volver a arrancar el motor y operar la máquina.

1. Si las cuchillas están enganchadas, suelte el control de las cuchillas.
2. Mueva el control del regulador/cebador a la posición STOP (parar)
3. Gire la llave de encendido en sentido contrario a las agujas del reloj a la posición STOP (parar).
4. Retire la llave del interruptor de encendido para evitar que el motor se encienda accidentalmente.

ENGANCHE DE LA TRANSMISIÓN

⚠ ADVERTENCIA

Evite arrancar súbitamente, desarrollar excesiva velocidad y detenerse de repente.

Encienda el motor según las instrucciones anteriores y mueva el control del regulador/cebador a la posición FAST (velocidad rápida, representada por una liebre).

Para conducir hacia ADELANTE:

- a. Coloque la palanca de cambios en cualquiera de las cuatro velocidades de avance. Seleccione una velocidad adecuada a las condiciones y con la cual se sienta cómodo.
- b. Oprima el control de la transmisión.
- c. Oprima lentamente el control de la transmisión contra la manija de la empuñadura y la cortadora se moverá. Suéltelo y se detendrá el movimiento de la transmisión.

Para conducir hacia ATRÁS:

- a. Verifique que el área detrás suyo está despejada.
- b. Coloque la palanca de cambios en marcha atrás (R).
- c. Oprima lentamente el control de la transmisión contra la manija de la empuñadura y la cortadora se moverá. Suéltelo y se detendrá el movimiento de la transmisión.

⚠ PRECAUCIÓN

No intente cambiar la dirección de desplazamiento mientras la cortadora está en movimiento. Siempre debe soltar el control de la transmisión y detener la cortadora totalmente antes de mover la palanca de cambios de una posición de avance a Marcha atrás. De lo contrario puede ocasionar graves daños a la transmisión.

⚠ ADVERTENCIA

No deje la posición del operador sin antes soltar el control de las cuchillas. Si deja la cortadora sin vigilancia, debe apagar el motor y retirar la llave de encendido.

ENGANCHE DE LAS CUCHILLAS

⚠ ADVERTENCIA

Para tratar de evitar el contacto con las cuchillas o una lesión por algún objeto que sea arrojado, mantenga a los observadores, a los ayudantes, niños y mascotas alejados al menos 25 metros de la máquina mientras está en funcionamiento. Detenga la máquina si alguien se acerca.

5. Mueva el control del regulador/cebador a la posición FAST (velocidad rápida, representada por una liebre).
6. Oprima lentamente el control de las cuchillas contra la empuñadura de la manija derecha y la cortadora se moverá. Suéltela y las cuchillas se detendrán.

FUNCIONAMIENTO EN PENDIENTE

Consulte la sección INDICADOR DE PENDIENTE de la página 57 para determinar en qué pendientes puede operar la cortadora con seguridad.

⚠ ADVERTENCIA

No corte en pendientes con una inclinación de más de 15 grados (elevación aproximada de 2 1/2 pies por cada 10 pies). La cortadora podría voltearse y causar lesiones graves.

- Mueva la podadora a través de las caras de la pendiente, nunca hacia arriba y abajo. Tenga cuidado cuando cambie de dirección cuando opere la máquina en pendientes.
- Esté atento a los agujeros, raíces, rocas, objetos ocultos o abultamientos que puedan provocar que se derrape o se tropiece. El césped alto puede ocultar obstáculos.

OPERACIÓN

- Siempre esté seguro de su equilibrio. Si tropieza y cae puede lesionarse gravemente. Si siente que pierde el equilibrio, suelte inmediatamente la manija de control de la cuchilla y la cuchilla dejará de girar en tres (3) segundos.
- No corte el césped cerca de pozos, hundimientos, bancos, podría perder el equilibrio.
- No ponde pendientes mayores de 15 grados como lo indica el medidor de pendientes.
- No ponde el césped húmedo. Si no está firmemente parado, puede resbalarse.

USO DE LA PALANCA DE ALTURA DE LA PLATAFORMA

Para subir o bajar la plataforma de corte, mueva la palanca de altura de la plataforma hacia la izquierda y colóquela en la muesca que mejor se adapte a la aplicación deseada.

CORTE DE CÉSPED

La siguiente información le resultará útil para operar la cortadora.

⚠ ADVERTENCIA

Planifique el patrón de corte, para evitar que la descarga de materiales se realice hacia los caminos, las veredas, los observadores, etc. Evite además descargar material contra una pared u obstrucción que podría hacer que el material descargado rebote contra el operador.

- No corte a alta velocidad, especialmente si se ha instalado un kit para abono o un colector de césped.
- No corte el césped demasiado corto. El césped corto alienta el crecimiento de malezas y se pone amarillo rápidamente cuando escasea la lluvia.
- Siempre haga funcionar la cortadora con el control del regulador/cebador en la posición FAST (rápida, representada por una liebre) mientras corta el césped.
- Para obtener los mejores resultados, se recomienda realizar los dos primeros cortes de césped arrojando la descarga hacia el centro. Después de las dos primeras vueltas, cambie la dirección para arrojar la descarga hacia afuera, para equilibrar el corte. Esto otorgará un mejor aspecto al césped.
- NO intente cortar malezas frondosas o césped extremadamente alto. La cortadora fue diseñada para cortar el césped, NO para podar malezas.
- Mantenga las cuchillas afiladas y reemplácelas cuando se desgasten.

⚠ ADVERTENCIA

Después de golpear algún objeto extraño, detenga el motor, desconecte el cable de la bujía y conéctelo a tierra con el motor. Inspeccione minuciosamente la máquina para determinar si está dañada. Controle siempre la correa de sincronización de la cuchilla como se indica en la sección Mantenimiento de este manual. Repare el daño antes de encenderla y hacer funcionar la cortadora.

ABONO

Las cortadoras de césped anchas Sears vienen equipadas con un kit para abono que incorpora cuchillas especiales, que vienen de serie en su cortadora, para recircular los recortes de césped repetidas veces por debajo de la plataforma de corte. Los recortes muy finos luego son

despedidos hacia atrás para que se depositen en el césped y actúen como fertilizante natural. Observe los siguientes puntos para obtener los mejores resultados al realizar el abono.

- Nunca intente realizar el abono si el césped está húmedo. El césped húmedo tiende a adherirse al lado inferior de la plataforma de corte e impide el proceso adecuado de los recortes de césped como abono.
- NO intente realizar el abono a más de 1/3 de la altura total del césped. De lo contrario los recortes de césped se amontonarán formando terrones debajo de la plataforma y no se procesarán eficazmente como abono.
- Mantenga una velocidad absoluta lenta para permitir que los recortes de césped se procesen eficazmente como abono.
- Siempre mantenga la palanca de control del regulador en la posición FAST (velocidad rápida, representada por una liebre) mientras mientras corta el césped. Si el motor no se mantiene con el regulador a pleno se somete al motor de la cortadora a un esfuerzo que no permite que las cuchillas procesen adecuadamente los recortes de césped que se usarán de abono.

INSTALACIÓN / EXTRACCIÓN DE LA TOLVA DE ABONO

⚠ ADVERTENCIA

Antes de instalar o extraer la clavija de abono, desenganche las cuchillas, apague el motor y retire la llave, para evitar que alguien encienda accidentalmente el motor.

Detenga el motor y espera que todas las piezas dejen de moverse.

Instalación de la tolva de abono

1. Inserte la lengüeta derecha (A) de la clavija en el soporte de la plataforma. Vea la Figura 12.

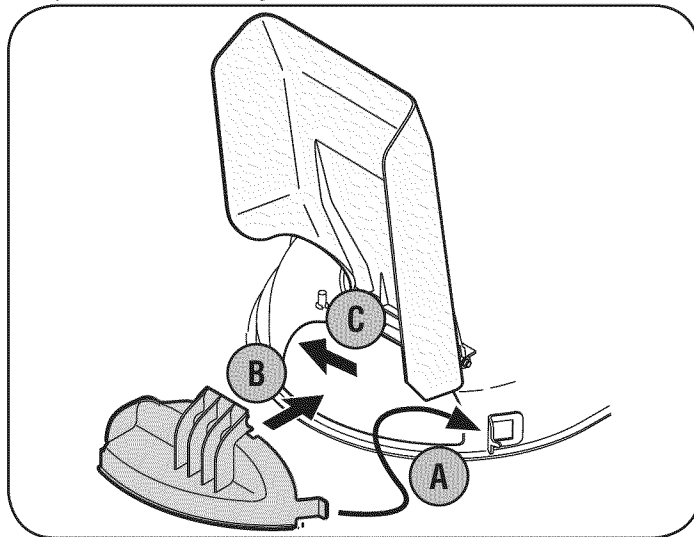


Figura 12

2. Inserte la clavija de abono en la abertura de descarga (B).
3. Una vez colocada en la abertura de la plataforma, empuje la clavija hacia la parte posterior de la cortadora (C) para fijarla en su lugar.

Extracción de la tolva de abono

Deslice la clavija hacia la derecha (hacia la parte delantera de la cortadora) para desenganchar la ranura de la plataforma de la cortadora y luego fuerce el lado izquierdo de la clavija hacia fuera.

SERVICIO Y MANTENIMIENTO

PROGRAMA DE MANTENIMIENTO

Intervalo	Artículo	Servicio	Registro de servicio
1ras 5 horas	1. Aceite del motor	1. Cambiar	
Cada 8 horas o por días	1. Cuchillas de la cortadora 2. Piezas sueltas o faltantes 3. Correas 4. Nivel de aceite del motor 5. Controles 6. Clavija de abono (si está instalada)	1. Según necesidad 2. Ajustar o reemplazar 3. Verificar 4. Verificar 5. Verificar el funcionamiento correcto 6. Verificar la correcta instalación de la clavija	
25 horas	1. Filtro de aire/ pre-filtro† 2. Cuchillas de la cortadora 3. Varillajes y pivotes de control	1. Limpia* 2. Afilar y balancear 3. Lubricar con aceite ligero	
50 horas	1. Aceite del motor 2. Rodamientos de las ruedas delanteras	1. Cambiar 2. Engrasar	
Anualmente	1. Bujía de encendido 2. Filtro de aire 3. Pre-filtro† 4. Ruedas traseras	1. Reemplazar 2. Reemplazar 3. Reemplazar 4. Engrasar	
Antes de almacenar	1. Sistema de combustible	1. Hacer funcionar el motor hasta que se detenga por falta de combustible o agregar aditivo para gasolina a la que se encuentra en el tanque.	

† Si Equipado

* En condiciones de mucho polvo o cuando el aire está presente, limpiar con más frecuencia

ADVERTENCIA

Detenga siempre el motor, desconecte la bujía y haga masa contra el motor antes de realizar cualquier tarea de mantenimiento en la cortadora.

RECOMENDACIONES GENERALES

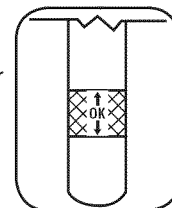
- Respete siempre las reglas de seguridad cuando realice cualquier tarea de mantenimiento en la cortadora.
- La garantía de esta cortadora no cubre elementos que han estado sujetos al mal uso o la negligencia del operador. Para recibir el reembolso total de la garantía, el operador deberá dar mantenimiento a la podadora como se indica en este manual.
- El cambio de la velocidad controlada del motor invalidará la garantía del motor.
- Todos los ajustes deben ser verificados por lo menos una vez en cada estación.
- Revise periódicamente todos los sujetadores y compruebe que estén bien ajustados.

MANTENIMIENTO DEL MOTOR

Control del aceite del motor

Controle el nivel de aceite antes del funcionamiento. Detenga el motor y espere varios minutos antes de verificar el nivel de aceite. Con el motor ubicado en suelo parejo, el aceite debe estar en la marca FULL (lleno) de la varilla del nivel de aceite.

1. Saque la varilla /tapón del aceite y límpielos con una tela limpia.
2. Vuelva a colocar y ajuste la varilla/tapón de aceite. Retire la varilla/tapón de aceite y controle el nivel de aceite. El nivel debería estar en la marca FULL (lleno)
3. Si es necesario, agregue aceite lentamente en el recipiente de llenado de aceite del motor. Vuelva a controlar el nivel de aceite. No lo llene en exceso.
4. Vuelva a colocar y ajuste la varilla/tapón de aceite.



SERVICIO Y MANTENIMIENTO

⚠ PRECAUCIÓN

No lo llene en exceso. El llenado excesivo de aceite puede hacer que el motor no arranque o lo haga con dificultad. Si se supera la marca FULL (lleno) de la varilla de medición, drene aceite para reducir el nivel hasta que quede en la marca FULL.

Cambio de aceite del motor

⚠ ADVERTENCIA

Si el motor se ha puesto en funcionamiento recientemente, el motor, silenciador y las superficies metálicas circundantes estarán calientes y pueden causar quemaduras a la piel. Tenga precaución para evitar quemaduras.

El aceite en el motor debe ser cambiado después de las primeras cinco horas de operación y cada 50 horas de funcionamiento.

1. Ponga el motor en marcha durante unos minutos para permitir que el aceite del cárter del motor se caliente. El aceite caliente circulará más libremente y transportará más del sedimento del motor que puede haberse depositado en la fondo del cárter. Tenga cuidado y evite quemarse con el aceite caliente.
2. Extraiga la perilla en estrella superior y el tornillo del carro del lado derecho de la manija. Vea la Figura 13.
3. Gire el tubo de soporte hacia el frente para tener lugar para conectar la manguera de drenaje de aceite a la válvula de drenaje. Vea la Figura 13.

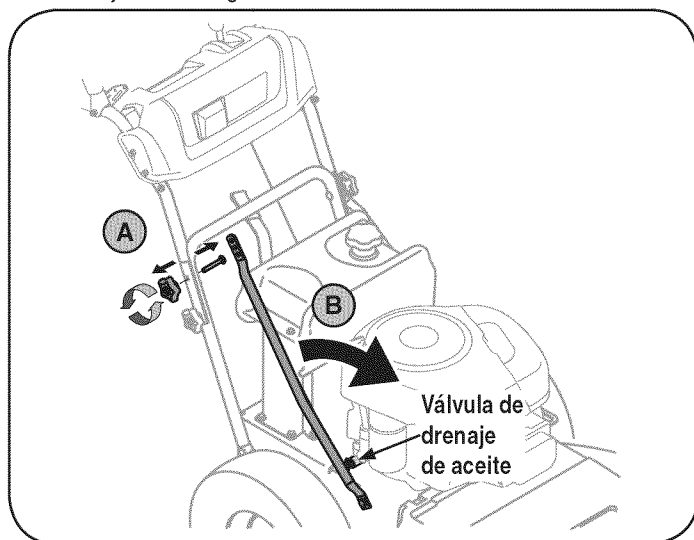


Figura 13

4. Abra el tapón protector en el extremo de la válvula de drenaje de aceite para dejar expuesto el orificio de drenaje. Vea la Figura 14.
5. Retire el tapón de llenado de aceite/la varilla de nivel de aceite del tubo de llenado.

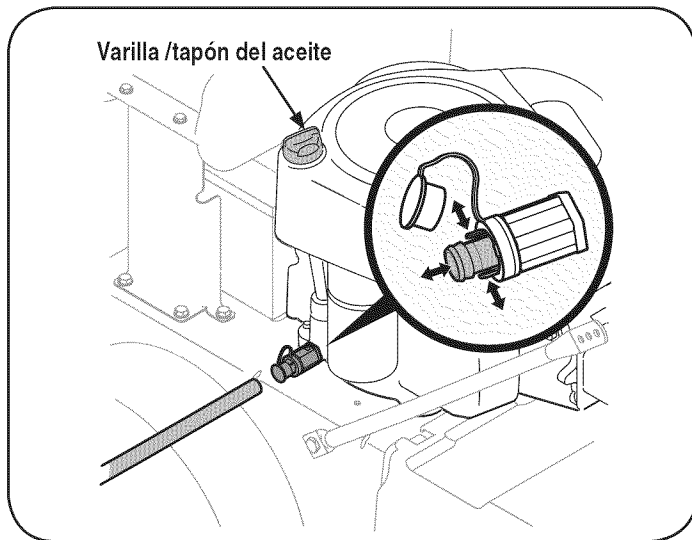


Figura 14

6. Inserte la manguera de drenaje de aceite (embalada con este manual) dentro del orificio de drenaje de aceite. Coloque el extremo opuesto de la manguera en un recipiente de recolección de aceite adecuado con capacidad para por lo menos 2,5 cuartos de galón (2,4 litros) para recoger el aceite usado.
7. Apriete las lengüetas de la válvula de drenaje de aceite, luego tire hacia afuera para comenzar a drenar el aceite. Vea la Figura 13.
8. Cuando termine de drenar el aceite, empuje el extremo de la válvula de drenaje de aceite hacia adentro, hasta que las lengüetas calcen en su lugar. Vuelva a tapar el extremo de la válvula de drenaje para evitar que entren residuos en el orificio de drenaje.
9. Vuelva a llenar el motor con aceite nuevo. Consulte el Manual del propietario Briggs & Stratton para ver información sobre el volumen y peso del aceite de motor.

Control de la bujía de encendido

Limpie la bujía y ajuste la separación del electrodo a 0.030" al menos una vez por estación, reemplace anualmente.

1. Limpie el área alrededor de la base de la bujía. No lije la bujía. Se debe limpiar las bujías mediante raspado o tallado con cepillo de alambre y lavado con un solvente comercial.
2. Saque e inspeccione la bujía. Verifique la separación para asegurarse de que está fijada en 0.030". Vea la Figura 15.

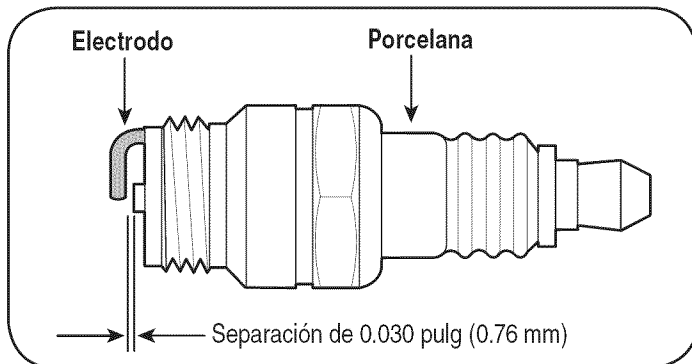


Figura 15

3. Cambie la bujía si los electrodos están picados, quemados o la porcelana está rota.

SERVICIO Y MANTENIMIENTO

Mantenimiento del filtro de aire.

⚠ ADVERTENCIA

Si se instalan incorrectamente los filtros o las cubiertas, se pueden producir lesiones graves o la muerte de las explosiones del carburador. No intente arrancar el motor cuando no están puestos.

⚠ PRECAUCIÓN

No use aire presurizado ni solventes para limpiar el cartucho del filtro de aire.

Limpie o reemplace el filtro de aire cada 25 horas de funcionamiento.

1. Tire la manija del filtro de aire para arriba, Figura 16, y tire para atrás hacia el motor.
2. Retire la cubierta del filtro de aire, Figura 16.

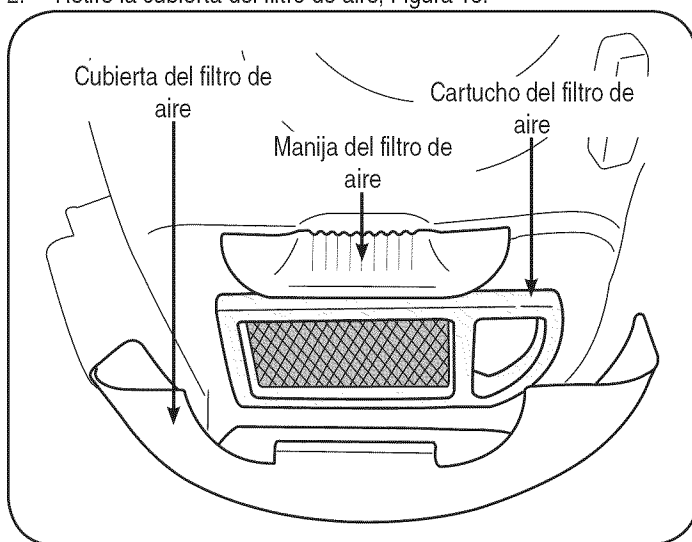


Figura 16

3. Extraiga con cuidado el cartucho del filtro de aire y el pre-filtro (si está instalado) del alojamiento del soplador.
4. Limpie la base del cartucho del filtro de aire con cuidado para evitar que las impurezas penetren en el motor.
5. Coloque el pre-filtro, si está instalado, y el cartucho nuevamente en el alojamiento del soplador. El cartucho se debe colocar firmemente en su posición.
6. Aline las lengüetas de la cubierta con las ranuras del alojamiento del soplador y vuelva a colocar la cubierta.

BATERÍA

⚠ ADVERTENCIA

Los bornes de la batería y los accesorios afines contienen plomo y compuestos de plomo, sustancias químicas que según lo establecido por el Estado de California causan cáncer y daños en el sistema reproductivo. Lávese las manos después de estar en contacto con estos componentes.

La batería está sellada y no necesita mantenimiento. Los niveles de ácido no se pueden controlar y no se puede agregar líquido.

- Siempre mantenga limpios y libres de acumulación de elementos corrosivos los cables y los bornes de la batería.
- Después de limpiar la batería y los bornes, aplique una capa delgada de vaselina o grasa a ambos bornes.

⚠ PRECAUCIÓN

Si extrae la batería para limpiarla, desconecte primero el cable NEGATIVO (negro) de su borne y a continuación el cable POSITIVO (rojo). Cuando vuelva a instalar la batería, conecte siempre primero el cable POSITIVO (rojo) a su borne, y a continuación el cable NEGATIVO (negro). Asegúrese de que los cables estén conectados a los terminales correctos, ya que si los invierte puede causar daños graves al sistema alternador del motor.

PRESIÓN DE LOS NEUMÁTICOS

⚠ ADVERTENCIA

La presión máxima de los neumáticos en cualquier circunstancia es de 30 psi. Se debe mantener una presión uniforme para todos los neumáticos en todo momento.

Verifique periódicamente la presión de ambos neumáticos traseros de la cortadora. Si la presión de los neumáticos no es uniforme, la plataforma cortará el césped en forma despareja y se puede desviar a izquierda o derecha durante la operación. Recommended operating tire pressure is approximately 20 p.s.i. Check the sidewall of tire for maximum p.s.i..

LIMPIEZA DE LA CORTADORA

Si se derrama combustible o aceite sobre la máquina, debe limpiarse de inmediato. NO permita que se acumulen desechos alrededor de las aletas de refrigeración del motor, el ventilador de refrigeración de la transmisión ni en ninguna otra parte de la máquina, especialmente las correas y poleas.

Smart Jet

La plataforma de la cortadora tiene un puerto de agua sobre la superficie como parte de su sistema de lavado.

Utilice el Smart Jet para desalojar los recortes de césped de la parte inferior de la plataforma e impedir la acumulación de sustancias químicas corrosivas. Realice los siguientes pasos DESPUÉS DE CADA CORTE DE CÉSPED:

⚠ ADVERTENCIA

Antes de usar el sistema de lavado de la plataforma, debe desenganchar el control de la cuchilla, apagar el motor y sacar la llave para evitar el encendido accidental del motor.

1. Coloque la cortadora en una zona nivelada y despejada del césped, suficientemente cerca para que la manguera del jardín alcance.

⚠ PRECAUCIÓN

Asegúrese de que el canal de descarga de la cortadora está orientado ALEJADO de la casa, el garaje, los vehículos estacionados, etc.

2. Enrosque el acople de la manguera (embalado con el Manual del operador de la cortadora) en el extremo de la manguera de jardín.

SERVICIO Y MANTENIMIENTO

- Una el acople de la manguera al puerto de agua que se encuentra en la superficie de la plataforma. Vea la Figura 17.

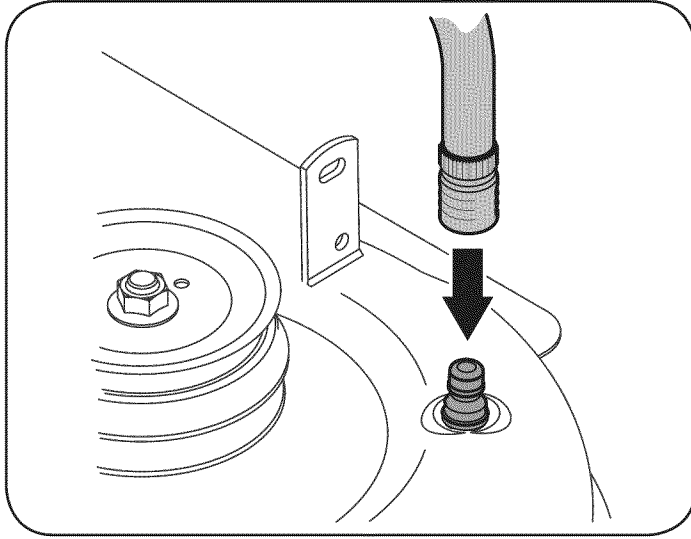


Figura 17

- Abra el suministro de agua.
- Encienda el motor y coloque la palanca del regulador en la posición RÁPIDO (fast, representada por una liebre).
- Desde la posición del operador detrás de la cortadora, coloque el control de las cuchillas en la posición ON (encendido).
- Permanezca en la posición del operador con la plataforma de corte enganchada durante dos minutos como mínimo, permitiendo que la parte inferior de la plataforma de corte se lave a fondo.
- Mueva el control de las cuchillas a la posición OFF (apagado).
- Gire la llave de encendido a la posición STOP (detener) para apagar el motor de la cortadora.
- Desconecte el agua y retire el acoplador de la manguera del puerto de agua que se encuentra en la superficie de la plataforma.

Después de limpiar la plataforma con el sistema Smart Jet™, regrese a la posición del operador y enganche las cuchillas. Mantenga la plataforma de corte en funcionamiento durante dos minutos por lo menos para permitir que se seque totalmente la parte inferior de la misma.

LUBRICACIÓN

⚠ ADVERTENCIA

Antes de lubricar, reparar o inspeccionar, desconecte la potencia de arranque (PTO), coloque el freno de mano, apague el motor y retire la llave, para evitar el encendido accidental del motor.

Puntos de pivote y varillaje

Lubrique todos los puntos de pivote del sistema de transmisión y el varillaje de elevación con aceite ligero por lo menos una vez por temporada.

Ruedas traseras

Las ruedas traseras se deben sacar de los ejes una vez por temporada. Lubrique bien los ejes y las llantas con grasa multiuso antes de volver a instalarlos.

Ruedas delanteras

Cada uno de los ejes y rueditas de la rueda delantera viene equipado con un accesorio de engrase. Vea la Figura 18. Lubrique con grasa multiuso No. 2 aplicada con una pistola de engrasar cada 50 horas de funcionamiento de la cortadora.

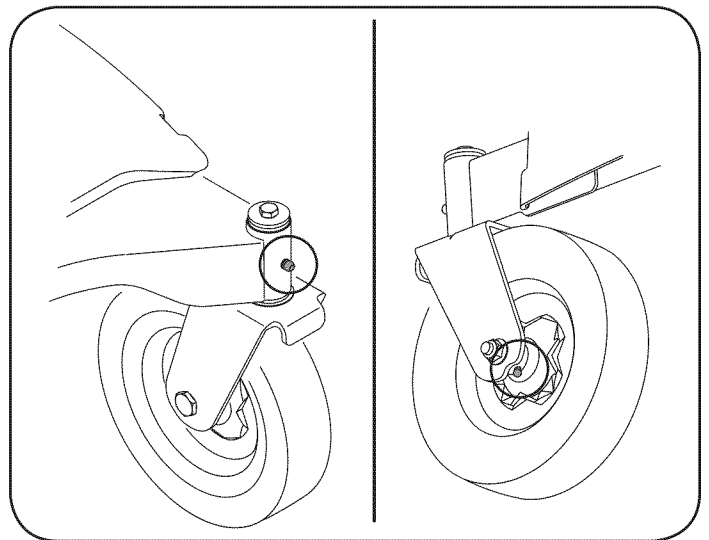


Figure 18

CORREA DE SINCRONIZACIÓN DE LA CUCHILLA

Los husillos de la plataforma de corte se mueven por medio de una correa (dentada) de sincronización, garantizando que las cuchillas de la plataforma siempre están perpendiculares entre sí. Por lo menos una vez por temporada, o después de golpear contra un objeto extraño, verifique la correa de sincronización de la siguiente manera:

SERVICIO Y MANTENIMIENTO

1. Para sacar la cubierta de la correa saque los tres tornillos y arandelas que la sujetan al bastidor. Vea la Figura 19.

⚠ ADVERTENCIA

No haga funcionar la unidad sin tener la cubierta de la correa instalada. Si no se observan estas instrucciones se pueden producir lesiones personales o daños materiales.

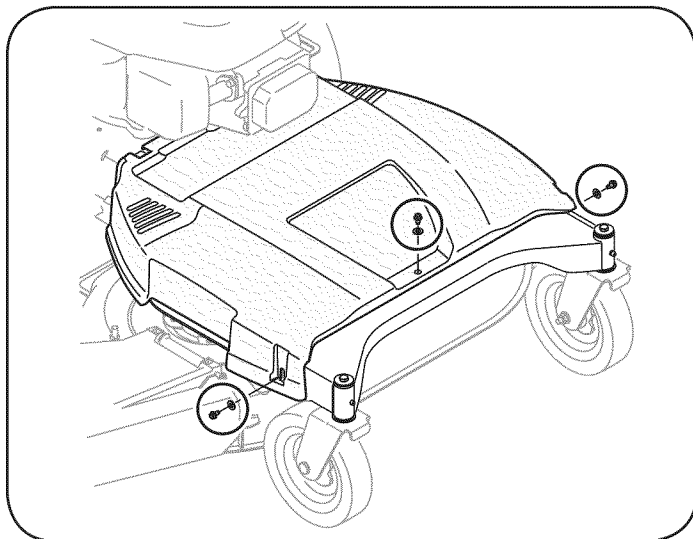


Figura 19

2. La parte superior de cada polea de husillo está marcada con una flecha. Vea la Figura 20. Las flechas deben estar perpendiculares (a un ángulo de 90°) entre sí.

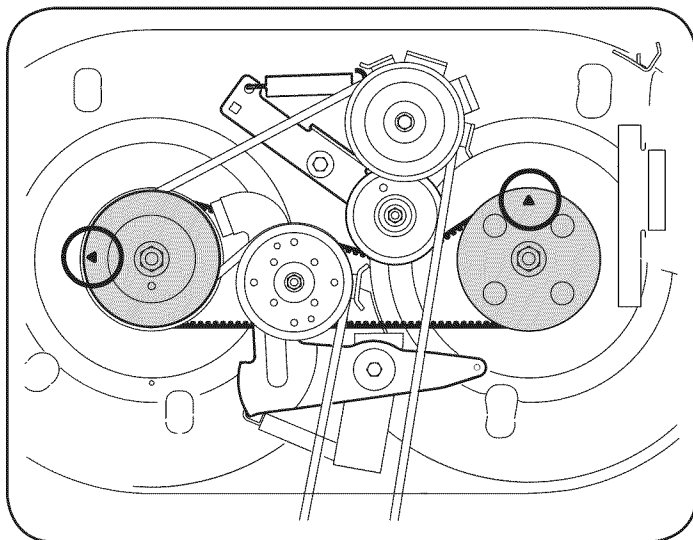


Figura 20

3. Si las flechas en la superficie de cada polea de husillo no están perpendiculares (a un ángulo de 90° grados) entre sí, consulte a su distribuidor Sears u otro distribuidor para volver a colocar la correa de sincronización de la plataforma.

⚠ ADVERTENCIA

No haga funcionar la máquina si la correa de sincronización no está correctamente colocada. Si no se observan estas instrucciones se pueden producir lesiones personales o daños materiales.

AJUSTES

⚠ ADVERTENCIA

Apague el motor y retire la llave de encendido antes de realizar ajustes.

Altura de la manija

La manija superior está sujeta a dos barras de apoyo que se pueden ajustar para subir o bajar la altura de la manija. De ser necesario, realice un ajuste de la siguiente manera:

1. Extraiga la perilla en estrella superior y el tornillo del carro que están del lado derecho y del lado izquierdo de la manija. Vea la Figura 21.

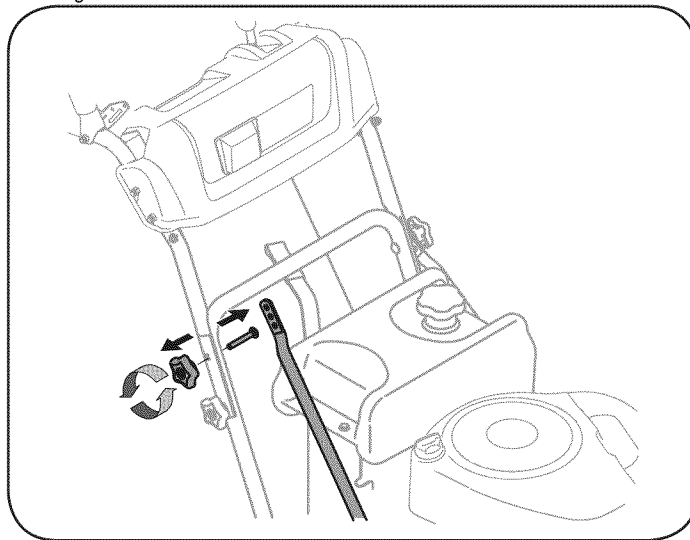


Figura 21

2. Gire la manija hacia adelante o hacia atrás para alinear uno de los tres orificios de cada barra de apoyo con los orificios de la manija.
3. Vuelva a colocar la perilla en estrella superior y el tornillo del carro al lado derecho y al lado izquierdo de la manija cuando logre una altura cómoda.

SERVICIO Y MANTENIMIENTO

EXTRACCIÓN DE LA PLATAFORMA DE CORTE

⚠ ADVERTENCIA

Antes de realizar cualquier mantenimiento o reparación, desconecte las cuchillas, apague el motor y retire la llave para evitar el encendido accidental del motor.

Para extraer la plataforma de corte, proceda de la siguiente manera:

1. Para sacar la cubierta de la correa saque los tres tornillos y arandelas que la sujetan al bastidor. Vea la Figura 22.

⚠ ADVERTENCIA

No haga funcionar la unidad sin tener la cubierta de la correa instalada. Si no se observan estas instrucciones se pueden producir lesiones personales o daños materiales.

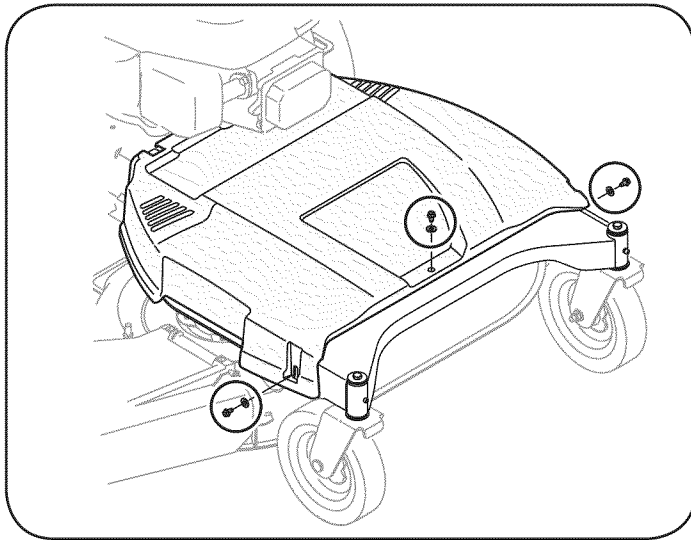


Figure 22

2. Coloque la palanca de altura de la plataforma en la posición de corte más alta.
3. Coloque tacos de madera en varios lugares debajo del borde de la plataforma. Soportarán temporalmente la plataforma mientras la desmonta.
4. Use la palanca de altura de la plataforma para bajar la plataforma y hacerla descansar sobre los tacos de madera.
5. Extraiga el tornillo y la tuerca de brida que sujeta la varilla del guardacorrea al lado izquierdo del bastidor de la cortadora. Vea la Figura 23.

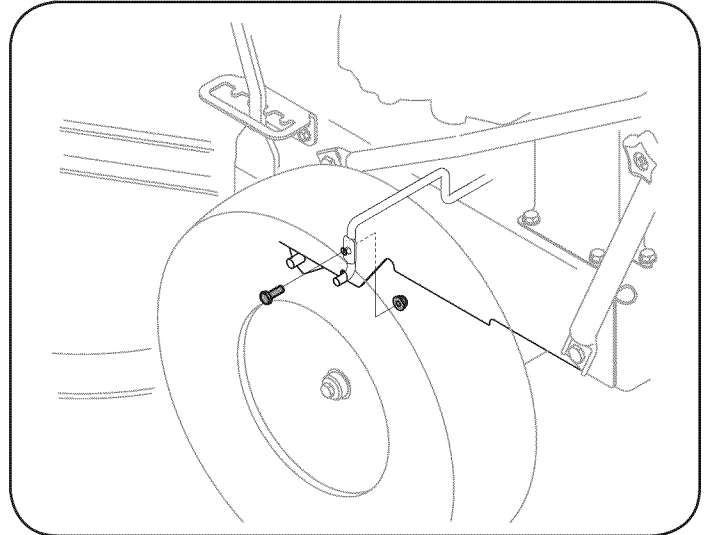


Figure 23

6. Extraiga la varilla del guardacorrea y extraiga la correa de la plataforma que está alrededor de la polea del motor de la cortadora.
7. Mire la plataforma de corte desde el lado izquierdo y saque con cuidado los pasadores horquilla que sujetan los soportes de la plataforma a los laterales posterior y anterior izquierdos de la plataforma. Vea la Figura 24.

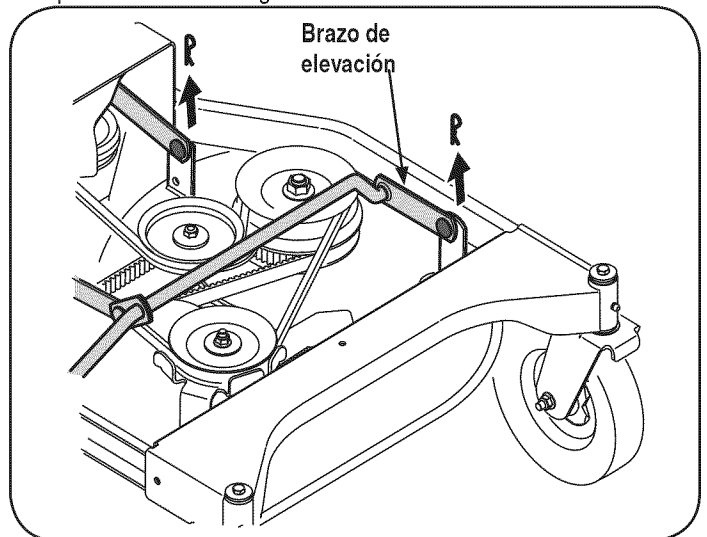


Figure 24

8. Repita los pasos anteriores del lado derecho de la cortadora.
9. Retire con cuidado los soportes delanteros de la plataforma de los brazos de elevación de la plataforma, Figura 24.
10. Con cuidado desenganche el montaje de elevación de la cortadora de los soportes posteriores de la plataforma.
11. Use la palanca de altura de la plataforma para levantar el montaje a su posición más alta.
12. Retire los tacos de madera de debajo de la plataforma y deslice suavemente la plataforma de corte hacia el fondo de la máquina.

SERVICIO Y MANTENIMIENTO

13. Desenganche el cable resorte de la transmisión del montaje del brazo secundario libre. Vea la Figura 25.

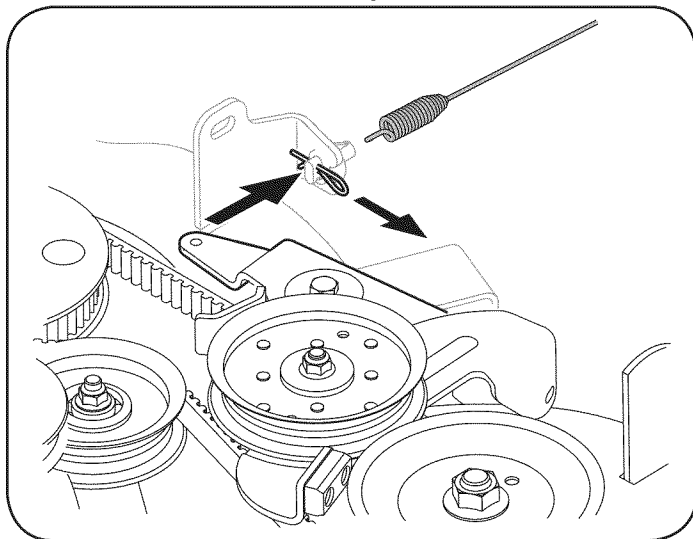


Figure 25

14. Deslice lentamente la plataforma hacia la derecha, sacándola de debajo de la cortadora.

Para instalar la plataforma de corte, siga los pasos anteriores en orden inverso para volver a acoplar la plataforma y la cubierta de la correa.

CUCHILLAS DE CORTE

⚠ ADVERTENCIA

Apague el motor y extraiga la llave de contacto antes de retirar las cuchillas de corte para afilarlas o reemplazarlas. Proteja sus manos utilizando guantes reforzados cuando sujete las cuchillas.

⚠ ADVERTENCIA

Inspeccione periódicamente la cuchilla y/o el husillo en busca de rajaduras o daños, especialmente después de golpear un objeto extraño. No opere la máquina hasta después de haber reemplazado los componentes dañados.

Para retirar las cuchillas, haga lo siguiente.

1. Saque la plataforma de debajo de la cortadora, (consulte la Extracción de la plataforma de esta sección); luego voltee con delicadeza la plataforma para dejar al descubierto su parte inferior.
2. Coloque un taco de madera entre el deflector del alojamiento central de la plataforma y la cuchilla de corte, para que actúe como estabilizador. Vea la Figura 26.
3. Extraiga la tuerca de brida hexagonal que asegura la cuchilla al montaje del husillo. Vea la Figura 26.

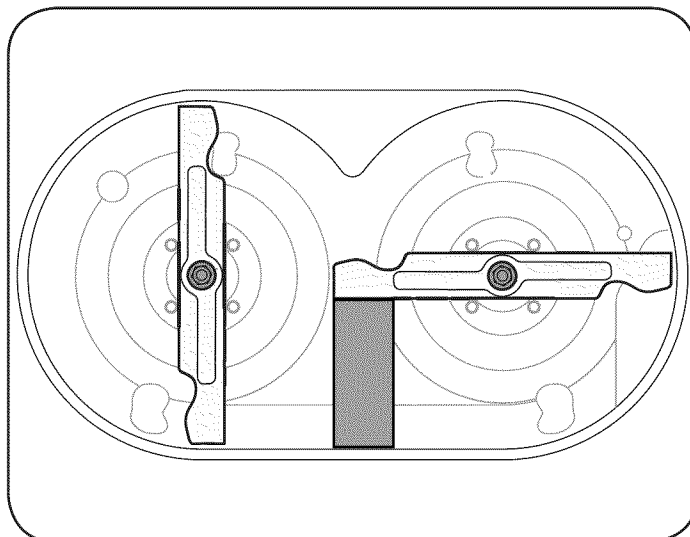


Figure 26

4. Para afilar las cuchillas de corte de forma adecuada, extraiga cantidades iguales de metal de ambos extremos de las cuchillas a lo largo de los bordes cortantes, paralelo al borde de caída y a un ángulo de 25° a 30°. Afile siempre cada borde de las cuchillas de corte de forma pareja para mantener un equilibrio adecuado entre las mismas. Vea la Figura 27.

⚠ PRECAUCIÓN

Si el borde de corte de la cuchilla ha sido afilado previamente o si existe una separación de metal, reemplace las cuchillas por otras nuevas.

⚠ ADVERTENCIA

Una cuchilla mal equilibrada causará exceso de vibración y puede ocasionar daños a la cortadora y/o lesiones personales.

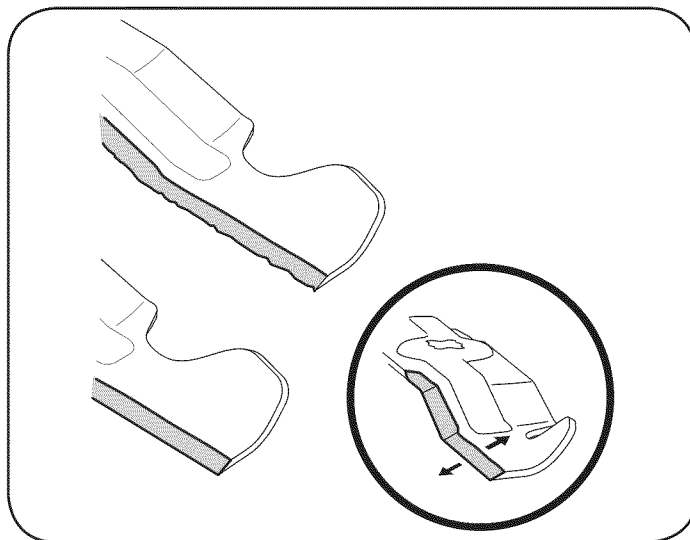


Figure 27

SERVICIO Y MANTENIMIENTO

5. Pruebe el equilibrio de la cuchilla usando un compensador de cuchillas. Afíle el metal del lado pesado hasta que quede bien equilibrada.

NOTA: Cuando reemplace la cuchilla, asegúrese de instalarla con el lado marcado "Bottom" (inferior) (o con el lado que posee un número de pieza estampado) mirando al piso cuando la cortadora de césped está en posición de operación.

⚠ PRECAUCIÓN

Utilice una llave de torsión para ajustar la tuerca de brida hexagonal del husillo de la cuchilla entre 70 pies-libras y 90 pies-libras.

⚠ PRECAUCIÓN

Las cuchillas de corte **deben** instalarse perpendiculares entre sí. Si no se puede instalar las cuchillas perpendiculares entre sí, se debe volver a calibrar la correa de sincronización. Consulte a su distribuidor Sears u otro distribuidor para volver a calibrar la correa de sincronización de la plataforma.

ESCUDO POSTERIOR

⚠ ADVERTENCIA

Nunca opere la cortadora si el escudo posterior no está colocado y funcionando. De lo contrario podrían producirse lesiones personales.

Para cambiar el escudo posterior proceda de la siguiente manera:

1. Extraiga el tornillo que fija el escudo al lado derecho de la cortadora. Vea la Figura 28.

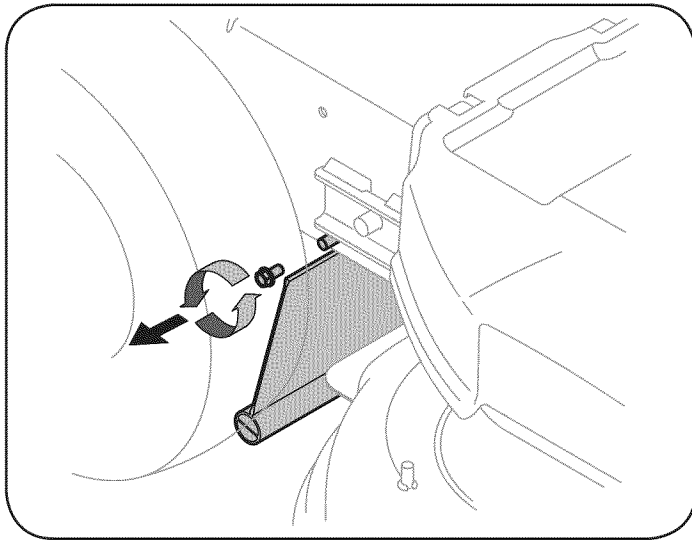


Figure 28

2. Combe el escudo hacia adentro a cada lado para soltarlo del bastidor de la cortadora.
3. Coloque el nuevo escudo posterior siguiendo los pasos anteriores en orden inverso.

BATERÍA

⚠ ADVERTENCIA

Los bornes de la batería y los accesorios afines contienen plomo y compuestos de plomo, sustancias químicas que según lo establecido por el Estado de California causan cáncer y daños en el sistema reproductivo. Lávese las manos después de estar en contacto con estos componentes.

⚠ PRECAUCIÓN

Si por alguna razón extrae la batería, desconecte primero el cable NEGATIVO (negro) de su borne y a continuación el cable POSITIVO (rojo). Cuando vuelva a instalar la batería, conecte siempre primero el cable POSITIVO (rojo) a su borne, y a continuación el cable NEGATIVO (negro).

Arranque con pinzas para batería

⚠ ADVERTENCIA

Nunca arranque con pinzas una batería dañada o congelada. Asegúrese de que los vehículos no se toquen y los motores están apagados. No permita que las pinzas de los cables se toquen.

1. Conecte el cable positivo (+) al borne positivo (+) de la batería descargada de su cortadora.
2. Conecte el otro extremo del cable al borne positivo (+) de la batería cargada.
3. Conecte el segundo cable negativo (-) al otro borne de la batería cargada.
4. Haga la conexión final sobre el bloque del motor de la cortadora, lejos de la batería. Acople a una parte sin pintura para asegurarse de que haya una buena conexión.

⚠ PRECAUCIÓN

Si la batería cargada está instalada en un vehículo (es decir, automóvil, camión) NO ponga en marcha el motor del vehículo cuando arranque la cortadora con las pinzas.

5. Arranque la cortadora (según las instrucciones de la sección Funcionamiento de este manual).
6. Retire los cables de arranque en orden inverso a la conexión.

SERVICIO Y MANTENIMIENTO

Carga de la batería

⚠ ADVERTENCIA

Al cargarse, las baterías emiten un gas que puede causar explosiones. Cargue la batería en un área bien ventilada y manténgala alejada de una llama expuesta o piloto, como los de los calentadores de agua, calefactores de ambiente, hornos, secadores de ropa y otros aparatos a gas.

⚠ PRECAUCIÓN

Cuando cargue la batería de la cortadora, utilice únicamente un cargador diseñado para baterías de plomo-ácido de 12V. Lea el Manual del Operador del cargador de la batería antes de cargar la batería de la cortadora. Siempre siga las instrucciones y tenga en cuenta las advertencias.

Si su cortadora no se ha usado durante un período de tiempo prolongado, cargue la batería de la siguiente manera:

1. Ajuste el cargador de batería para que produzca un máximo de 10 amperios.
2. Si su cargador de batería es automático, cargue la batería hasta que el cargador indique que se ha completado la carga. Si el cargador no es automático, cargue por ocho horas como mínimo.

CAMBIO DE LA CORREA DE ENGANCHE DE LA CUBIERTA

⚠ ADVERTENCIA

Apague el motor y extraiga la llave de contacto antes de retirar las cuchillas de corte para afilarlas o reemplazarlas. Proteja sus manos utilizando guantes reforzados cuando sujete las cuchillas y las poleas.

⚠ ADVERTENCIA

Las correas en V de la cortadora están diseñadas especialmente para que se engranen y desengranen sin riesgos. El uso de una correa en V sustituta (que no sea del fabricante del equipo original) puede resultar peligroso si la misma no se desengrana completamente. Para que la máquina funcione correctamente, use correas aprobadas por el fabricante.

Todas las correas de la cortadora están sujetas a desgaste, y se las debe cambiar si presentan signos de desgaste. Para cambiar o reemplazar la correa de la plataforma de su cortadora, proceda de la siguiente manera:

1. Extraiga la plataforma de corte de la cortadora como se ha indicado antes en esta sección.

⚠ ADVERTENCIA

Evite las lesiones por compresión. Al extraer la correa, no coloque nunca los dedos en el resorte intermedio o entre la correa y una polea.

2. Retire la cubierta de la correa como se ha indicado antes en esta sección. Consulte la Figura 19.
3. Retire el guardacorrea como se ha indicado antes en esta sección. Consulte la Figura 23.

4. Afloje, pero no saque, la tuerca y el perno que fijan cada polea loca de la plataforma. Vea la Figura 29.

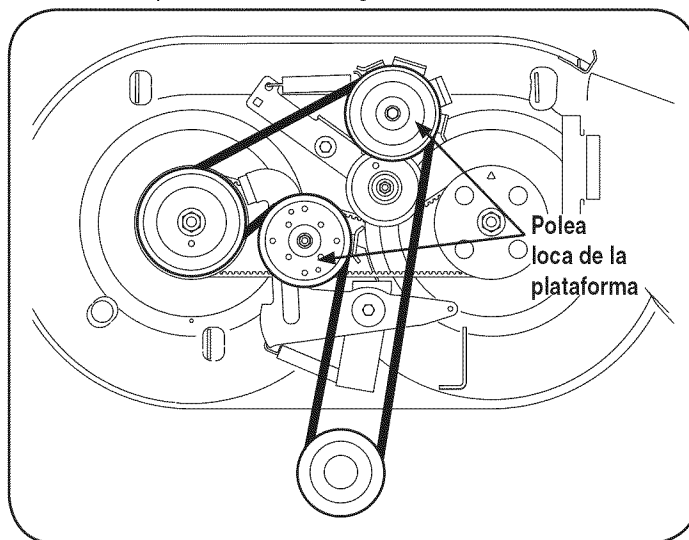


Figure 29

5. Retire la correa de alrededor de todas las poleas.
6. Coloque la correa nueva como se muestra en la Figura 29.
7. Vuelva a ajustar las tuercas y pernos que fijan cada polea loca.
8. Vuelva a colocar el guardacorrea y la cubierta de la correa.

CAMBIO DE LA CORREA DE SINCRONIZACIÓN DE LA PLATAFORMA

Para cambiar la correa de sincronización de la cortadora, se deben retirar varios componentes y se requieren herramientas especiales. Consulte a su distribuidor Sears u otro distribuidor para reemplazar la correa de sincronización de la plataforma.

CAMBIO DE LA CORREA DE TRANSMISIÓN

Para cambiar la correa de transmisión de la cortadora, se deben retirar varios componentes y se requieren herramientas especiales. Solicite a su distribuidor Sears u otro distribuidor que realice el reemplazo de la correa de transmisión.

FUSIBLE

⚠ ADVERTENCIA

Antes de realizar tareas de mantenimiento, reparación o inspección, siempre debe desenganchar las cuchillas, apagar el motor y retirar la llave para evitar el encendido accidental del motor.

En el mazo de cables de la cortadora se encuentra un fusible de 20 amperios, que protege el sistema eléctrico de la cortadora de los daños causados por exceso de amperaje.

Si el sistema eléctrico no funciona, o el motor de la cortadora no arranca, verifique primero que el fusible no se haya quemado. Se encuentra cerca de la batería.

⚠ PRECAUCIÓN

Reemplace siempre por un fusible con el mismo amperaje que el fusible quemado.

ALMACENAMIENTO FUERA DE TEMPORADA

⚠ ADVERTENCIA

Nunca almacene la cortadora de césped con combustible en el tanque en un espacio cerrado o en áreas con poca ventilación, donde los gases del combustible puedan alcanzar el fuego, chispas o una luz piloto como la que tienen algunos hornos, calentadores de agua, secadores de ropa o algún otro dispositivo a gas.

PREPARACIÓN DEL MOTOR

Para motores almacenados durante más de 30 días:

1. Para evitar que se forme goma en el sistema de combustible o en las piezas del carburador, haga funcionar el motor hasta que se detenga por falta de combustible o agregue aditivo para gasolina al combustible del tanque. Si utiliza un aditivo para gasolina, haga funcionar el motor durante varios minutos para que el aditivo circule por el carburador—después de esto el motor y el combustible se pueden almacenar durante un máximo de seis meses.
2. Cambie el aceite mientras el motor está todavía caliente.
3. Extraiga la bujía de encendido y vierta en el cilindro aproximadamente 1 onza (30 ml) de aceite para motor limpio. Tire varias veces del arrancador de retroceso para distribuir el aceite y reinstale la bujía.
4. Limpie el motor de desechos superficiales.

PREPARACIÓN DE LA CORTADORA DE CÉSPED

- Cuando almacene la cortadora de césped en un galpón metálico, tenga especial cuidado de realizarle un tratamiento antioxidante a las superficies no pintadas. Cubra el equipo con una capa de aceite liviano o silicona, especialmente los resortes, los cojinetes y los cables.
- Elimine todo el polvo del exterior del motor y del equipo.
- Siga las recomendación de lubricación.
- Almacene el equipo en un lugar limpio y seco. No lo almacene en un lugar donde se encuentren equipos que usan piloto de encendido o con componentes que pueden generar chispas.

COMPLEMENTOS Y ACCESORIOS

Puede obtener los siguientes aditamentos y accesorios para su cortadora de césped. Póngase en contacto con u Centro de servicio Sears en el teléfono 1-800-4-MY-HOME® para más información.

No. de PIEZA	DESCRIPCIÓN
33731	Colector de césped con sistema de embolsado

SOLUCIÓN DE PROBLEMAS

⚠️ ADVERTENCIA

Antes de realizar cualquier tipo de mantenimiento o servicio, desenganche todos los controles y detenga el motor. Espere a que se detengan completamente todas las piezas móviles. Desconecte el cable de la bujía y póngalo haciendo masa contra el motor para evitar que se encienda accidentalmente. Utilice siempre anteojos de seguridad durante la operación o mientras realiza ajustes o reparaciones.

Problema	Causa	Solución
El motor no arranca	<ol style="list-style-type: none"> No se ha activado el cebador El control del regulador/cebador no está en la posición correcta. Se ha desconectado el cable de la bujía La bujía no funciona correctamente El tanque de combustible está vacío o el combustible es viejo La línea del combustible está bloqueada 	<ol style="list-style-type: none"> Coloque la palanca de control del regulador/cebador en la posición cebador. Coloque la palanca de control del regulador/cebador en la posición rápido. Conecte los cables a la bujía. Limpie, ajuste la separación, o cambie la bujía. Llene el tanque con gasolina limpia y fresca. Pida a un distribuidor de servicio Sears que le limpie la línea de combustible.
El motor funciona de manera errática	<ol style="list-style-type: none"> La unidad está funcionando con el cebador activado. El cable de la bujía está flojo El combustible es viejo Agua o suciedad en el sistema de combustible El filtro de aire está sucio 	<ol style="list-style-type: none"> Mueva la palanca del regulador/cebador para sacarlo de la posición cebador. Conecte y ajuste el cable de la bujía. Llene el tanque con gasolina limpia. Drene el combustible Cargue combustible nuevo en el depósito. Reemplace el cartucho del filtro de aire.
El motor recalienta	<ol style="list-style-type: none"> El nivel de aceite del motor está bajo Flujo de aire restringido 	<ol style="list-style-type: none"> Llene el motor con la cantidad y tipo de aceite adecuado. Limpie los recortes de pasto y suciedad acumulados alrededor de las aletas de refrigeración del motor y del alojamiento del soplador.
El motor vacila a altas revoluciones	<ol style="list-style-type: none"> La separación de los electrodos de la bujía es muy poca. 	<ol style="list-style-type: none"> Extraiga la bujía y regule la separación.
El motor funciona mal en marcha lenta	<ol style="list-style-type: none"> La bujía de encendido está sucia El filtro de aire está sucio 	<ol style="list-style-type: none"> Extraiga la bujía y regule la separación. Reemplace el cartucho del filtro de aire.
Demasiada vibración	<ol style="list-style-type: none"> Las cuchillas de corte están flojas o desbalanceadas La cuchilla de corte está dañada, desafilada o doblada. Herrajes flojos 	<ol style="list-style-type: none"> Apriete la cuchilla y el husillo. Balancee la cuchilla. Reemplace la cuchilla. Ajuste todos los pernos y las tuercas.
La unidad no se autoimpulsa	<ol style="list-style-type: none"> La correa de transmisión está floja o dañada 	<ol style="list-style-type: none"> Reemplace la correa de transmisión.
Bajo rendimiento de corte	<ol style="list-style-type: none"> Cuchillas desafiladas Correas rotas, flojas o gastadas Cuchillas desbalanceadas 	<ol style="list-style-type: none"> Afile o cambie las cuchillas. Cambie las correas. Afile o cambie las cuchillas.

¿NECESITA MÁS AYUDA?

Encontrará la respuesta y más en managemylife.com - ¡sin cargo!

En línea podrá encontrar este manual y los manuales de todos los otros productos que posea.

Sus preguntas serán respondidas por nuestro equipo de especialistas.

Obtenga un plan de mantenimiento personalizado para su hogar.

Encuentre información y herramientas que lo ayudarán con los proyectos de su hogar.



**DECLARACIÓN FEDERAL y/o DE CALIFORNIA SOBRE GARANTÍAS EN EL CONTROL DE EMISIONES
SUS DERECHOS Y OBLIGACIONES EN CUANTO A LA GARANTÍA**

MTD Consumer Group Inc, la Agencia de Protección Medioambiental de los Estados Unidos (EPA), y para aquellos productos certificados para su venta en el estado de California, el Departamento de los Recursos del Aire de California (CARB) se complacen en explicar la garantía que cubre al sistema de control (ECS) de emisiones (evaporativas y/o de escape) de su equipo y motor (motor de equipos de exteriores) de encendido por chispa para todo terreno, pequeño, de exteriores del año 2006 y años posteriores. En California, los nuevos motores de equipos de exteriores deben estar diseñados, contruidos y equipados para cumplir con las estrictas normas antipolución del Estado (en otros estados, los equipos del año 1997 y modelos posteriores deben ser estar diseñados, contruidos y equipados para cumplir con las regulaciones de motores de encendido por chispa para todo terreno pequeños de la Agencia de Protección Medioambiental de los Estados Unidos, (EPA). MTD Consumer Group Inc. debe garantizar el sistema de control de emisiones (ECS) de su motor de equipos de exteriores por el período de tiempo indicado más abajo, siempre y cuando no exista uso incorrecto, negligencia o mantenimiento inadecuado de dicho motor.

Su ECS puede incluir piezas tales como el carburador, el sistema de inyección de combustible, el sistema de encendido, el convertidor catalítico, los depósitos de combustible, las líneas de combustible, los tapones de combustible, las válvulas, contenedores, filtros, mangueras de vapor, abrazaderas, conectores y otros componentes afines relacionados con las emisiones.

Donde exista una condición cubierta por la garantía, MTD Consumer Group Inc. reparará su motor de equipos de exteriores sin costo alguno incluyendo el diagnóstico, las piezas y la mano de obra.

COBERTURA DE LA GARANTÍA DEL FABRICANTE:

Este sistema de control de emisiones se garantiza por el término de dos años. Si alguna pieza relacionada con las emisiones de su motor de equipos de exteriores es defectuosa, MTD CONSUMER GROUP INC. reparará o sustituirá dicha pieza.

RESPONSABILIDADES DEL PROPIETARIO SEGÚN LA GARANTÍA:

En su carácter de propietario del motor de equipos de exteriores, usted es responsable del mantenimiento requerido que se especifica en el manual del propietario. MTD Consumer Group Inc le recomienda que conserve todos los recibos que cubren el mantenimiento de su motor, no obstante lo cual MTD Consumer Group Inc no podrá denegar el cumplimiento de la garantía únicamente por la falta de los recibos.

Como propietario del motor de equipos de exteriores, usted debe saber que MTD Consumer Group Inc. puede denegar la cobertura de la garantía si su motor o una pieza del mismo fallan debido a uso incorrecto, negligencia, mantenimiento indebido o a modificaciones no aprobadas.

Usted es responsable de presentar su motor al centro de distribución o servicio técnico de MTD Consumer Group Inc. tan pronto como aparezca el problema. Las reparaciones cubiertas por la garantía se deben llevar a cabo en un lapso razonable que no exceda de 30 días. Si tiene alguna pregunta respecto de la cobertura de la garantía, póngase en contacto con el Departamento del Servicio Técnico de MTD Consumer Group Inc. al teléfono 1-800-800-7310 o por correo electrónico en <http://support.mtdproducts.com>

COBERTURA DE LA GARANTÍA DE EMISIONES GENERALES:

MTD Consumer Group Inc garantiza al comprador final y a cada comprador subsiguiente que el motor de equipos de exteriores: está diseñado, construido y equipado de modo de cumplir con todas las regulaciones aplicables y que se encuentra libre de defectos de materiales y de fabricación que pudieren causar la falla de una pieza garantizada idéntica, en todos los aspectos materiales a la pieza descrita en la solicitud de certificación de MTD Consumer Group Inc.

El período de garantía comienza en la fecha de entrega del motor al comprador final o en la fecha en que la máquina se pone en funcionamiento por primera vez. El período de garantía es de dos años.

Sujeto a ciertas condiciones y exclusiones que se indican a continuación, la garantía de las piezas relacionadas con las emisiones es la siguiente:

1. Cualquier pieza garantizada que no esté programada para ser reemplazada como parte del mantenimiento requerido en las instrucciones escritas suministradas se garantiza por el período de garantía arriba mencionado. Si la pieza falla durante el período de cobertura de la garantía, la misma será reparada o reemplazada por MTD Consumer Group Inc. de acuerdo con el párrafo (4) a continuación. Cualquier pieza reparada o reemplazada según la garantía se garantizará por el resto del período de garantía.
2. Cualquier pieza garantizada que esté programada solamente para inspección regular en las instrucciones escritas suministradas se garantiza por el período de garantía arriba mencionado. Cualquier pieza reparada o reemplazada según la garantía se garantizará por el resto del período.
3. Cualquier pieza garantizada que esté programada para reemplazo según el mantenimiento requerido de conformidad con las instrucciones escritas suministradas, se garantiza por el período de tiempo anterior a la primera fecha de reemplazo programada para esa pieza. Si la pieza falla antes del primer reemplazo programado, la misma será reparada o reemplazada por MTD Consumer Group Inc. de acuerdo con el párrafo (4) a continuación. Cualquier pieza reparada o reemplazada bajo garantía se garantizará por el resto del período anterior al primer reemplazo programado puntual para esa pieza.
4. La reparación o el reemplazo de cualquier pieza garantizada de conformidad con las disposiciones de la garantía que aquí se estipula se deben realizar en un centro de garantía sin costo alguno para el propietario.
5. No obstante las disposiciones que aquí se estipulan, los servicios o reparaciones bajo garantía se suministrarán en todos nuestros centros de distribución bajo franquicia de mantenimiento para los motores o equipos en cuestión.
6. El propietario del motor de equipos de exteriores no deberá pagar el trabajo de diagnóstico directamente asociado con una pieza garantizada defectuosa en relación con las emisiones, siempre y cuando dicho trabajo de diagnóstico se realice en un centro cubierto por la garantía.
7. MTD Consumer Group Inc es responsable por daños causados a otros componentes de motores o equipos derivados de la falla bajo garantía de cualquier pieza garantizada.

8. Durante la totalidad del período de garantía del motor y equipo para todo terreno arriba mencionado, MTD Consumer Group Inc mantendrá un suministro de piezas bajo garantía suficiente para satisfacer la demanda esperada de tales piezas.
9. Cualquier pieza de reemplazo se podrá usar para el cumplimiento del mantenimiento o las reparaciones bajo garantía y se suministrarán sin cargo para el propietario. Dicho uso no reducirá las obligaciones de garantía de MTD Consumer Group Inc.
10. No se podrán usar piezas adicionales ni modificadas que no estén exentas de acuerdo con el Departamento de los Recursos del Aire (Air Resources Board). El uso de cualquier pieza adicional o modificada no exenta por el comprador final será causal de invalidez de los reclamos bajo garantía. MTD Consumer Group Inc no tendrá responsabilidad por la garantía de fallas de piezas garantizadas que fueren causadas por el uso de una pieza adicional no exenta o modificada.

PIEZAS GARANTIZADAS:

La reparación o el reemplazo de cualquier pieza garantizada que de otro modo pudiese estar cubierta por la garantía podrá ser excluida de tal cobertura de garantía si MTD Consumer Group Inc demuestra que el motor es objeto de uso incorrecto, negligencia o mantenimiento inadecuado, y que tal uso incorrecto, negligencia o mantenimiento inadecuado fue causa directa de la necesidad de reparación o reemplazo de dicha pieza. No obstante lo antedicho, cualquier ajuste de un componente con un dispositivo de limitación de ajuste instalado en fábrica y que funcione adecuadamente, podrá ser cubierto por la garantía. Además, la cobertura bajo esta garantía se extiende solo a piezas que estuvieron presentes en el motor y equipo todo terreno adquiridos.

Están cubiertas las siguientes piezas con garantía para emisiones (de corresponder):

- (1) Sistema de medición de combustible
 - Sistema de mejora para inicio en frío (cebado suave)
 - Carburador y piezas internas (o sistema de inyección por combustible)
 - Bomba de combustible
 - Depósito de combustible
- (2) Sistema de inducción de aire
 - Purificador de aire
 - Colector de admisión
- (3) Sistema de encendido
 - Bujía(s) de encendido
 - Sistema de encendido por magneto
- (4) Sistema de encendido
 - Convertidor catalítico
 - SAI (válvula Reed)
- (5) Componentes varios utilizados en el sistema anterior
 - Válvulas e interruptores de vacío, temperatura, posición sensibles al tiempo
 - Conectores y montajes
- (6) Control evaporativo
 - Manguera de combustible
 - Abrazaderas de la manguera de combustible
 - Tapón del combustible atado por correa
 - Caja de carbono
 - Líneas de vapor

(Esta página se aplica sólo en EE.UU. y Canadá).

**Sears Brands Management Corporation, el Consejo de Recursos Ambientales de California (CARB)
y la Agencia de Protección Ambiental de los Estados Unidos (EPA)**

Declaración de garantía del sistema de control de emisiones (derechos y obligaciones de la garantía de defectos del propietario)

LA COBERTURA DE LA GARANTÍA DE CONTROL DE EMISIONES ES APLICABLE A LOS MOTORES CERTIFICADOS COMPRADOS EN CALIFORNIA EN 1995 Y POSTERIORMENTE, QUE SE UTILIZAN EN CALIFORNIA,

Declaración de garantía sobre defectos en el control de emisiones para California y los Estados Unidos

El Consejo de Recursos Ambientales de California (CARB), la EPA (Agencia de Protección Ambiental de los EE.UU.) y Sears tienen el gusto de explicar la garantía del sistema de control de emisiones para motores del año 2000 y para el futuro con relación a motores pequeños todo terreno (SORE). En California, los nuevos motores pequeños todo terreno deben estar diseñados, construidos y equipados para cumplir con las rigurosas normas anti-smog del estado. En el resto de los Estados Unidos, los motores nuevos todo terreno de encendido por chispa certificados para el año 1997 deben cumplir estándares similares establecidos por la EPA. Sears debe garantizar el sistema de control de emis-

Y PARA LOS MODELOS CERTIFICADOS DEL AÑO 1997 Y POSTERIORES, QUE SE COMPREN Y UTILICEN EN CUALQUIER PARTE DE LOS ESTADOS UNIDOS (Y A PARTIR DEL 1 DE ENERO DE 2001 EN CANADÁ).

iones de su motor para los períodos de tiempo enumerados a continuación, siempre que no haya abuso, negligencia o mantenimiento indebido de su motor todo terreno pequeño. Su sistema de control de emisiones puede incluir piezas tales como el carburador, el filtro de aire, el sistema de encendido, el silenciador y el convertidor catalítico. También puede incluir conectores y otras unidades relacionadas con las emisiones. Donde exista una condición cubierta por la garantía, Sears reparará su pequeño motor todo terreno sin costo alguno incluyendo diagnóstico, piezas y mano de obra

Cobertura de la garantía Sears para defectos en el control de emisiones

Los motores todo terreno pequeños están garantizados en lo relativo al control de emisiones para defectos en piezas durante un período de dos años, sujeto

Responsabilidades del propietario en relación con la garantía

Como propietario del motor todo terreno pequeño, Ud. es responsable de la realización del mantenimiento requerido que se incluye en las instrucciones de operación y mantenimiento. Sears recomienda que se conserven todos los recibos relativos al mantenimiento de su motor todo terreno pequeño, pero no puede denegar la garantía simplemente por la falta de los mismos, o por su incumplimiento del mantenimiento programado. Como propietario del motor pequeño todoterreno debe saber que, sin embargo, Sears le puede negar la cobertura de la garantía si su motor todoterreno pequeño o una pieza del mismo han fallado debido a abuso, negligencia, mantenimiento indebido o

a las disposiciones que se indiquen a continuación. Si una parte de su motor cubierta por la garantía es defectuosa, Sears reparará o sustituirá dicha parte.

a modificaciones no aprobadas. Ud. es responsable de presentar su motor todoterreno pequeño a un distribuidor de servicios Sears autorizado tan pronto como aparezca un problema. Las reparaciones de la garantía sin conflicto deben completarse en un plazo de tiempo razonable, no superior a 30 días. Si tiene alguna pregunta respecto a sus derechos y responsabilidades referentes a la garantía, debe contactar con un representante de servicios Sears al 1-800-469-4663. La garantía de emisiones es una garantía por defectos. Los defectos se juzgan de acuerdo con el funcionamiento normal de un motor. La garantía no está relacionada con una prueba de emisiones en uso.

Disposiciones de la garantía Sears para defectos en el control de emisiones

Las siguientes son disposiciones específicas relacionadas con la cobertura de la garantía para defectos en el control de emisiones. Es un añadido a la garantía de motor Sears para motores no regulados que se encuentra en las instrucciones de funcionamiento y mantenimiento.

1. Piezas con garantía

La cobertura de esta garantía se extiende únicamente a las piezas que aparecen a continuación (las partes de los sistemas de control de emisiones), siempre que dichas piezas estuvieran ya en el motor en el momento de su compra.

- a. Sistema de medición de combustible
 - Sistema de enriquecimiento para arranque en frío
 - Carburador y partes internas
 - Bomba de combustible
 - b. Sistema de inducción de aire
 - Filtro de aire
 - Colector de admisión
 - c. Sistema de encendido
 - Bujía(s) de encendido
 - Sistema de encendido magneto
 - d. Sistema del catalizador
 - Convertidor catalítico
 - Colector de escape
 - Sistema de inyección de aire o válvula de impulsos
 - e. Elementos variados usados en los sistemas anteriores
 - Válvulas de vacío, sensibles a temperatura, posición y tiempo e interruptores
 - Conectores y montajes
2. Alcance de la cobertura
- Sears garantiza al poseedor inicial y a los compradores subsiguientes que las piezas con garantía no tendrán defectos en materiales ni mano de obra que provoquen la falla de las mismas durante un período de dos años a partir de la fecha en que el motor se entrega a un comprador particular.
3. Sin cargo
- La reparación o reemplazo de cualquier parte con garantía se realizará

sin cargo alguno para el poseedor, incluyendo tareas de diagnóstico que permitan determinar si una parte con garantía es defectuosa, siempre que dicho diagnóstico se realice en un distribuidor de servicios Sears autorizado. Para el servicio de la garantía de emisiones, contacte al distribuidor de servicios Sears autorizado más cercano incluido en las "Páginas amarillas" en las categorías "Motores, gasolina", "Motores de gasolina", "Podadoras de césped", o similares.

4. Reclamaciones y exclusiones a la cobertura

Las reclamaciones de la garantía deben enviarse de acuerdo con las disposiciones de la política de garantía para motores Sears. La cobertura de la garantía excluirá defectos en piezas con garantía que no sean partes originales Sears, o abuso, negligencia o mantenimiento incorrecto, tal y como se establece en la política de garantía para motores Sears. Sears no es responsable de las fallas en piezas con garantía provocadas por el uso de partes añadidas, que no sean originales o que se hayan modificado.

5. Mantenimiento

Cualquier parte con garantía que no esté programada para ser reemplazada como mantenimiento requerido, o que sólo deba inspeccionarse regularmente al efecto de "inspeccione o reemplace según sea necesario", estará garantizada contra defectos durante el período de la garantía. Todas las piezas garantizadas que estén programadas para su reemplazo para cumplir con los requisitos de mantenimiento estarán garantizadas sólo por el período anterior al primer reemplazo programado para dicha pieza. Cualquier pieza de recambio que sea equivalente en funcionamiento y durabilidad puede usarse para realizar mantenimiento o reparaciones. El propietario es responsable de realizar todo el mantenimiento requerido, tal y como se define en las instrucciones de funcionamiento y mantenimiento Sears

6. Cobertura indirecta

Por la presente, la cobertura se extiende a la falla de cualquier componente de motor provocada por la falla de una pieza con garantía que esté todavía en período de garantía.

En los Estados Unidos y Canadá hay una línea de atención de 24 horas, **1-800-469-4663**, que cuenta con un menú con mensajes pre-grabados que contienen información para el mantenimiento de motores.

Busque el período de duración de emisiones importantes y la información de clasificación de aire en la etiqueta de emisiones de su motor

Los motores cuyo cumplimiento con los estándares de emisión Tier 2 de la Comisión de Recursos Ambientales de California (CARB) esté certificado deben exhibir la información relacionada con el período de duración de las emisiones y la clasificación de aire. Sears Brands Management Corporation ponen esta información a disposición del consumidor en nuestras etiquetas de emisiones.

El Período de Duración de las Emisiones describe el número de horas de tiempo real de funcionamiento para el cual se certifica que el motor cumple con las reglas de emisión, descontando el mantenimiento adecuado del mismo según las instrucciones de operación y mantenimiento. Se utilizan las siguientes categorías:

Moderado: Se certifica que el motor cumple con las reglas de emisión durante 125 horas de tiempo real de funcionamiento del motor.

Inmediato: Se certifica que el motor cumple con las reglas de emisión durante 250 horas de tiempo real de funcionamiento del motor.

Extendido: Se certifica que el motor cumple con las reglas de emisión durante 500 horas de tiempo real de funcionamiento del motor.

Por ejemplo, una cortadora de césped típica que se empuja desde atrás se usa entre 20 y 25 horas por año. Por lo tanto, el **Período de Duración de Emisiones** de un motor con una **clasificación intermedia** sería equivalente a entre 10 y 12 años.

La **clasificación de aire** es un número calculado para describir el nivel relativo de emisiones para un grupo de motores en particular. Cuanto menor sea la **clasificación de aire**, mayor es la limpieza del motor. La información se presenta de forma gráfica en la etiqueta de emisiones.

Después del 1 de julio de 2000, busque el período de cumplimiento de las reglas de emisiones en la etiqueta de cumplimiento de las reglas de emisiones del motor

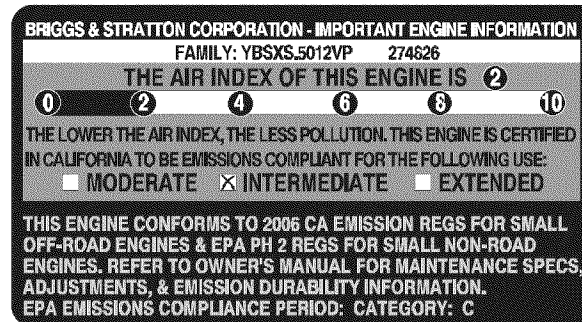
Después del 1 de julio de 2000 se certificará que determinados motores Sears Brands Management Corporation cumplen con los estándares de emisiones de la fase 2 de la Agencia de Protección Ambiental de los Estados Unidos (USEPA). Para los motores certificados para la etapa 2, el período de cumplimiento con las reglas de emisiones al cual se hace referencia en la etiqueta de cumplimiento con las reglas de emisiones indica el número de horas de funcionamiento para el cual se ha demostrado que el motor cumple con los requerimientos federales de emisión.

Para los motores con desplazamiento inferior a 225 cc, Categoría C = 125 horas, B = 250 horas y A = 500 horas.

Para los motores con desplazamiento de 225 cc o más, Categoría C = 250 horas, B = 500 horas y A = 1000 horas.

El desplazamiento de los motores de la serie modelo 150112 es 249 cc.

La presente es una representación genérica de la etiqueta de emisión que se encuentra generalmente en un motor certificado.



ACUERDO DE PROTECCIÓN PARA REPARACIONES

Felicitaciones por haber realizado una adquisición inteligente. El producto Craftsman® que ha adquirido está diseñado y fabricado para brindar muchos años de funcionamiento confiable. Pero como todos los productos a veces puede requerir de reparaciones. Es en ese momento cuando el disponer de un Acuerdo de protección para reparaciones le puede ahorrar dinero y problemas.

A continuación se detallan los puntos incluidos en el Acuerdo:

- ☑ **Servicio experto** prestado por nuestros 10,000 especialistas en reparaciones profesionales
- ☑ **Servicio ilimitado sin cargo** para las piezas y la mano de obra en todas las reparaciones cubiertas
- ☑ **Reemplazo del producto** hasta 1500 dólares si no es posible reparar el producto cubierto
- ☑ **Descuento de 25%** del precio normal del servicio y de las piezas relacionadas con el mismo que no estén cubiertas por el acuerdo; además, 25% del precio normal de la verificación de mantenimiento preventivo
- ☑ **Ayuda rápida por teléfono** - lo llamamos Resolución Rápida – el apoyo telefónico de un Chamusca al representante. Piense en nosotros como el manual “de un dueño hablador.”

Una vez adquirido el Acuerdo, puede programar el servicio con tan sólo realizar una llamada telefónica. Puede llamar en cualquier momento del día o de la noche o programar un servicio en línea.

El Acuerdo de Protección de Reparación es una compra sin riesgo. Si usted anula por alguna razón durante el período de garantía de producto, proporcionaremos un reembolso lleno. O, un reembolso prorrateado en cualquier momento después del período de garantía de producto expira. ¡Adquiera hoy su acuerdo de protección para reparaciones!

Se aplican determinadas limitaciones y exclusiones. Para obtener información adicional y precios en los Estados Unidos llame al 1-800-827-6655.

El *Coverage en Canadá varía en algunos artículos. Para detalles llenos la llamada Chamusca Canadá en 1-800-361-6665.

Servicio de instalación de Sears

Si desea solicitar la instalación profesional de Sears de aparatos domésticos, dispositivos para abrir portones, calentadores de agua y otros artículos domésticos importantes, en los Estados Unidos o Canadá llame al **1-800-4-MY-HOME®**.

Get it fixed, at your home or ours!

Your Home

For troubleshooting, product manuals and expert advice:



www.managemylife.com

For repair – **in your home** – of **all** major brand appliances, lawn and garden equipment, or heating and cooling systems, **no matter who made it, no matter who sold it!**

For the replacement parts, accessories and owner's manuals that you need to do-it-yourself.

For Sears professional installation of home appliances and items like garage door openers and water heaters.

1-800-4-MY-HOME[®] (1-800-469-4663)

Call anytime, day or night (U.S.A. and Canada)

www.sears.com www.sears.ca

Our Home

For repair of carry-in items like vacuums, lawn equipment, and electronics, call anytime for the location of your nearest

Sears Parts & Repair Service Center

1-800-488-1222 (U.S.A.)

www.sears.com

1-800-469-4663 (Canada)

www.sears.ca

To purchase a protection agreement on a product serviced by Sears:

1-800-827-6655 (U.S.A.)

1-800-361-6665 (Canada)

Para pedir servicio de reparación a domicilio, y para ordenar piezas:

1-888-SU-HOGAR[®]

(1-888-784-6427)

www.sears.com

Au Canada pour service en français:

1-800-LE-FOYER^{MC}

(1-800-533-6937)

www.sears.ca

sears

® Registered Trademark / TM Trademark of KCD IP, LLC in the United States, or Sears Brands, LLC in other countries

® Marca Registrada / TM Marca de Fábrica de KCD IP, LLC en Estados Unidos, o Sears Brands, LLC in otros países

^{MC} Marque de commerce / ^{MD} Marque déposée de Sears Brands, LLC