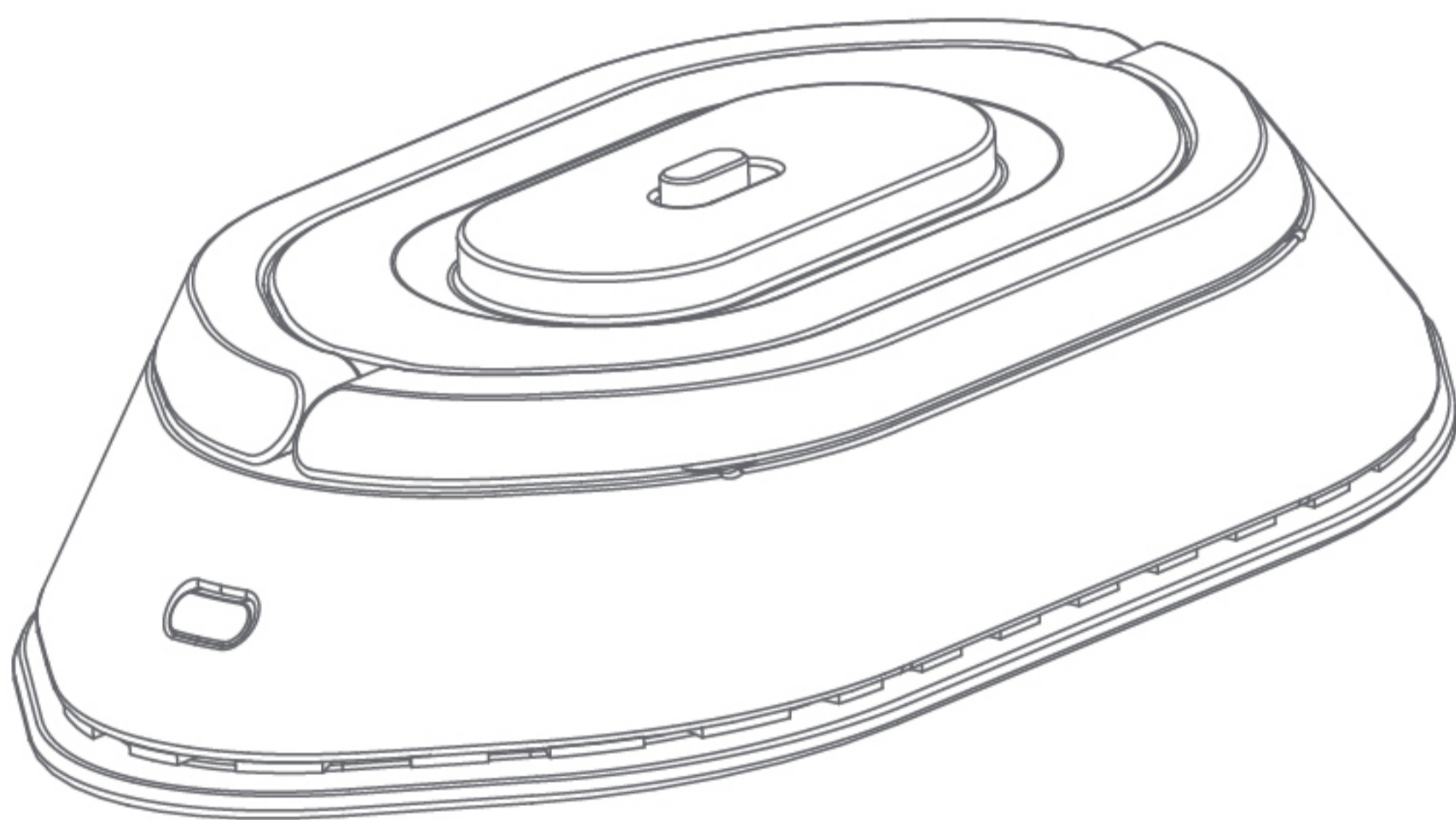


# Newbealer

## DUAL-VOLTAGE TRAVEL IRON

NB301

(100-127V / 220-240V)



### USER MANUAL

READ ALL INSTRUCTIONS BEFORE USING

# IMPORTANT SAFETY INSTRUCTIONS

*When using your appliance, basic precautions should always be followed, including the following:*

1. Use appliance only for its intended use.
2. To reduce the likelihood of circuit overload, do not operate another high wattage appliance on the same circuit.
3. To reduce the risk of electric shock, do not place cord, plugs, or appliance in water or other liquid.
4. Never yank the cord to disconnect from the outlet; instead, grasp the plug and pull to disconnect.
5. Do not place this appliance on or near a hot gas or electric burner, or where it could contact a heated oven.
6. Unplug from outlet when not in use and before cleaning.
7. Do not operate any appliance with a damaged cord, or if the appliance has been dropped or damaged. To reduce the risk of electric shock, do not disassemble or attempt to repair the appliance, take it to a qualified service person for examination and repair. Incorrect reassembly or repair could cause a risk of fire, electric shock, or injury to persons when the appliance is used.
8. The iron must not be left unattended while it is connected to the supply mains.
9. Burns could occur from touching hot surface. Always use the handle to avoid burning your skin.
10. The iron must not be stored until it has cooled. Therefore, before storing the appliance, please wait half an hour for the appliance to completely cool down. Loop cord loosely around the appliance when storing.
11. For use in North America, the voltage selector switch should be placed in the 120-volt position. For use in several countries overseas, the voltage selector switch may need to be placed in the 240-volt position. Confirm the voltage available at each overseas location before using the flatiron. For connection to a 240-volt supply, use a suitable attachment plug adapter of the proper configuration for the power supply receptacle.

12. Be sure dual voltage selector is in correct voltage position before operating. Before plugging in, read the information about dual voltage

operation contained in the instruction section of this manual.

13. This appliance was set at the factory to operate at 120 volt. Refer to the Operating Instructions section of this manual for conversion to 240 volt operation.

14. This appliance can be used by children aged from 8 years and above and persons with reduced physical, sensory or mental capabilities or lack of experience and knowledge if they have been given supervision or instruction concerning use of the appliance in a safe way and understand the hazards involved.

15. Children shall not play with the appliance.

16. Cleaning and user maintenance shall not be made by children without supervision.

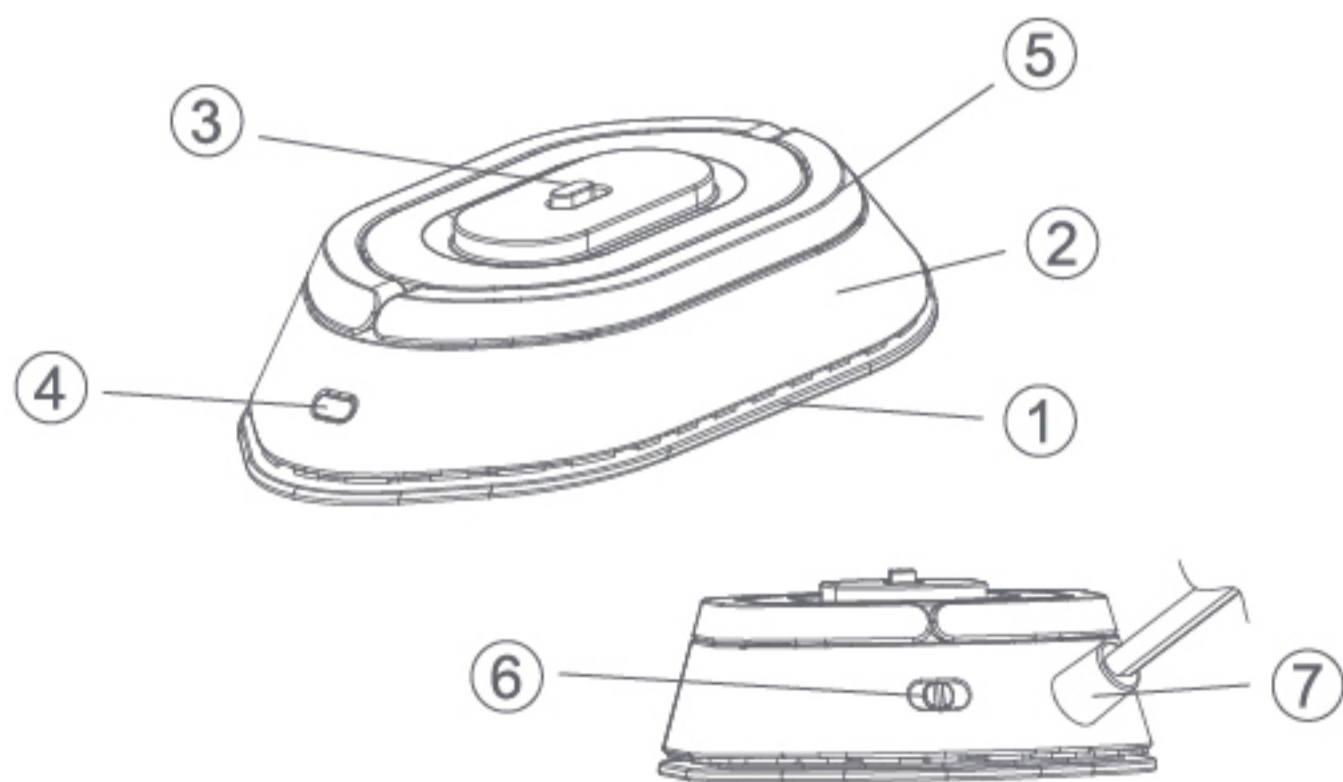
17. Keeping the iron and its cord out of reach of children less than 8 years of age when it is energized or cooling down.

## SAVE THESE INSTRUCTIONS

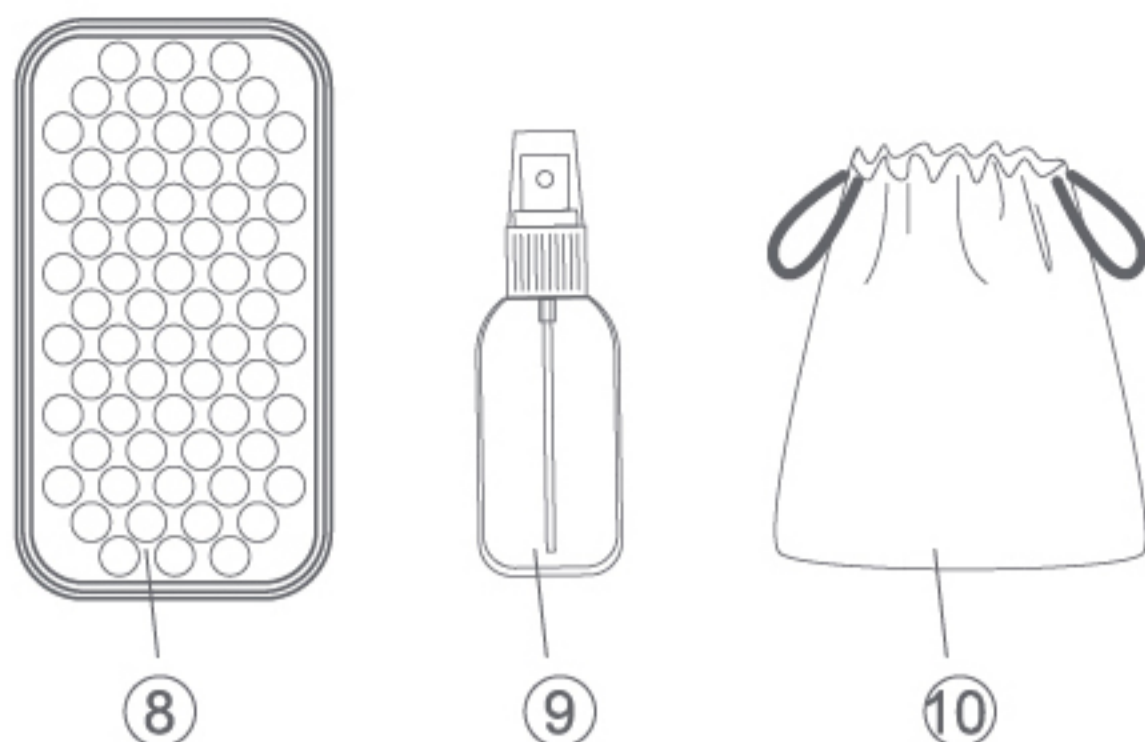
## Product Details

### Parts Identification:

1. Diamond Ceramic Soleplate
2. Main Unit
3. Power Button
4. Heat Indicator Light
5. Collapsible Handle
6. Voltage Selector (120/240V)
7. Cord exit



- 8. Silicone rest
- 9. Spray bottle
- 10. Travel pouch



**Included Items**

- 1x Dual-voltage Iron
- 1x Spray bottle
- 1 x User Manual

- 1x Silicone rest
- 1x Small pouch

\* Note: When unpacking the travel iron, check if you have received all the items listed.

## Specifications

Product: Dual-voltage Mini Iron	Voltage1: AC 100-127V/60Hz, Rated Power: 208-336W
Model: NB301	Voltage2: AC 220-240V/50Hz, Rated Power: 252-300W
Unit Size: 6.1*3.1*1.3 in	Temperature range: 302°F (150°C)
Net Weight: 0.95 lb (430g)	Heating time: 1-2 min

\* Due to its small size, this iron is not intended for regular use, but it is perfect for travelling.

## Preparing for Use

### Set the Voltage

a. This Mini Iron features dual-voltage functionality, which allows it to function correctly in regions with either 100-127V or 220-240V electrical voltage standards. Voltage is set using the Voltage Selector.

## **IMPORTANT:**

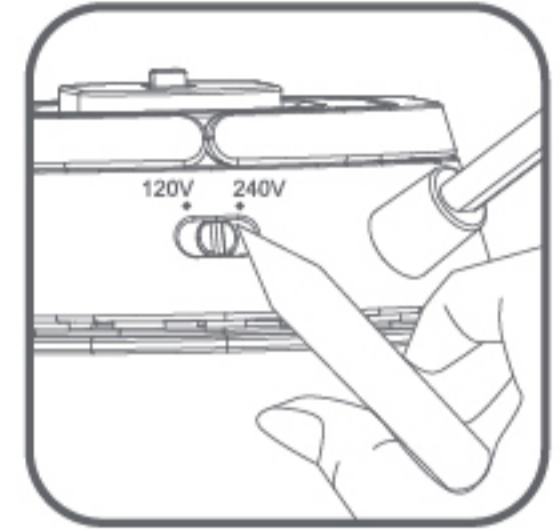
By default, the Voltage Selector is set to the 100-127V setting. Be sure to select the correct voltage for your location before plugging power cord into an electrical outlet.

b. To change the voltage setting:

i.) Locate Voltage Selector, recessed inside slot at rear of Main Body.

ii.) Find a tool with a fine tip (i.e., a pen).

iii.) Carefully use tip of pen to adjust the iron to correct voltage for your location.



## **IMPORTANT:**

If the voltage selected is 120V, the iron will operate at 100 to 127V.

If it is set at 240V, the iron will operate at 220 to 240V.

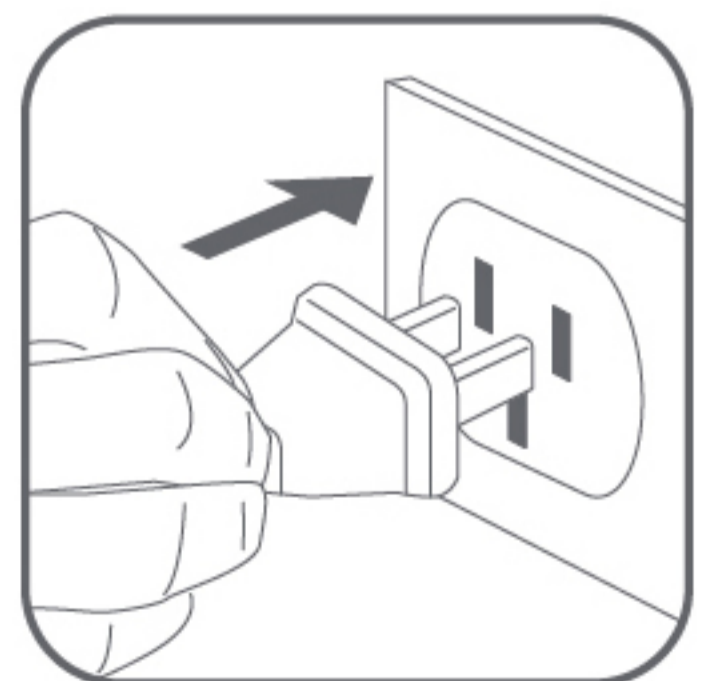


**Note:** If necessary, check that you are using an adapter which meets the safety requirements of the country you are in.

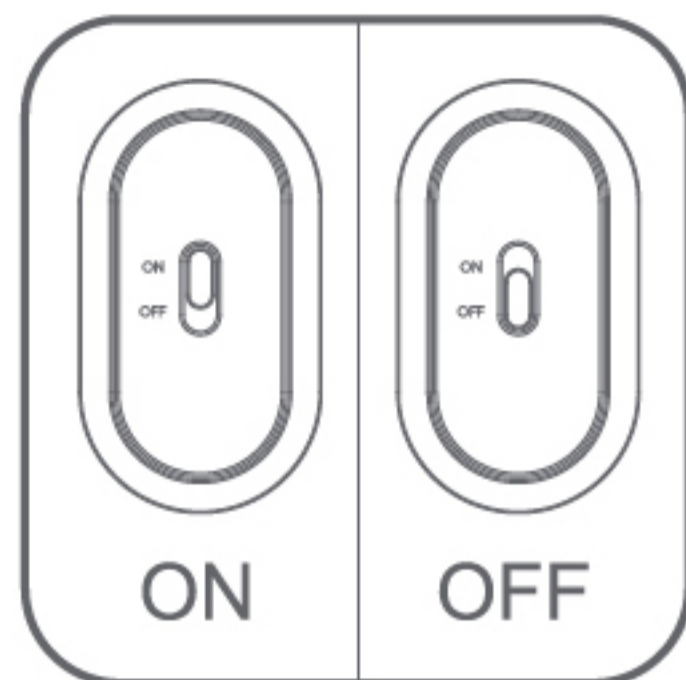
## **General Operation**

### **Dry Ironing**

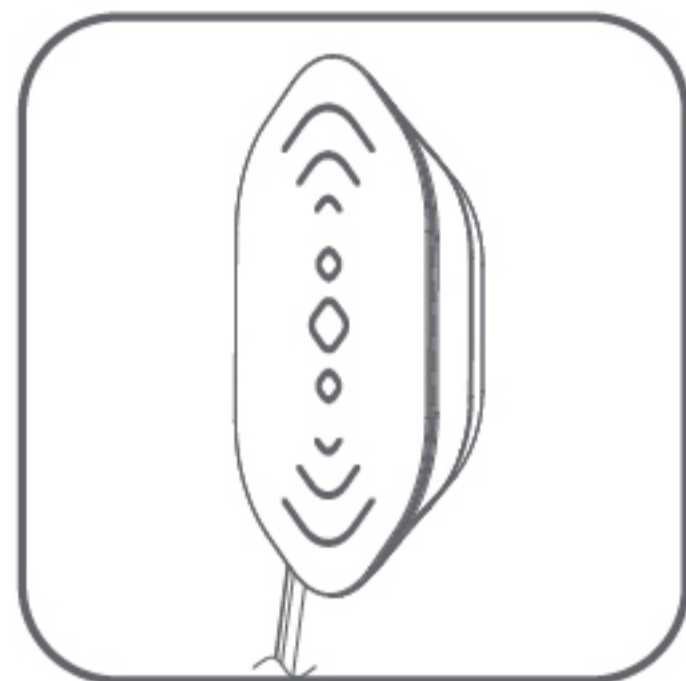
1. Plug in the appliance.



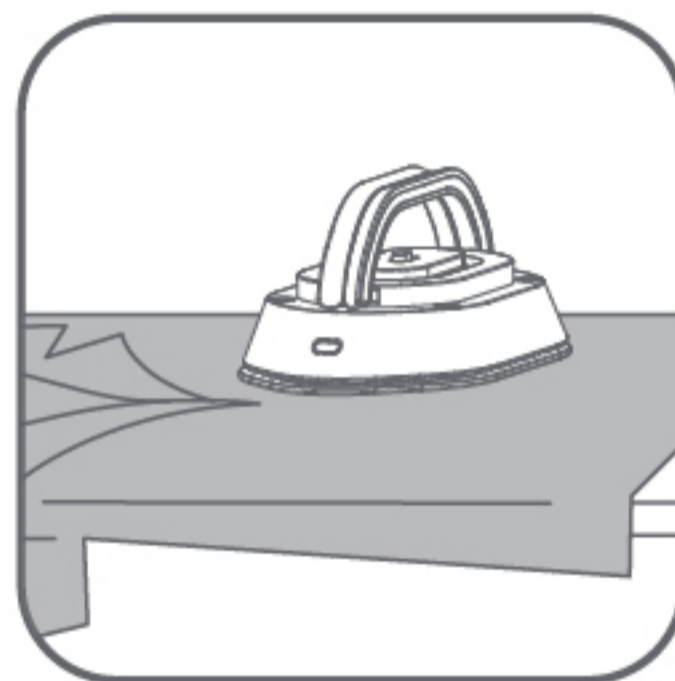
2. Slide the power switch to turn on the appliance.



3. The temperature of soleplate begins to rise quickly, reaches 212°F within 1 minute, reaches to a constant temperature 302°F in 2 minutes. Ready for use.



4. Apply appropriate pressure on the hand to iron your garments and the iron must be used and rested on a flat, stable surface.



**Note:** Never iron a garment while it is being worn!



**Note:** Never touch the soleplate of the iron during use, as the soleplate heats up and may burn you!!!





**Note:** The iron is not to be used if it has been dropped, if there are visible signs of



## Wet Ironing

(With the Spray bottle)

To remove stubborn wrinkles and creases, you'd better spray some water on the clothes with the spray bottle first, then use iron to go over it.



## After Use

1. Turn the power switch to "off" position.



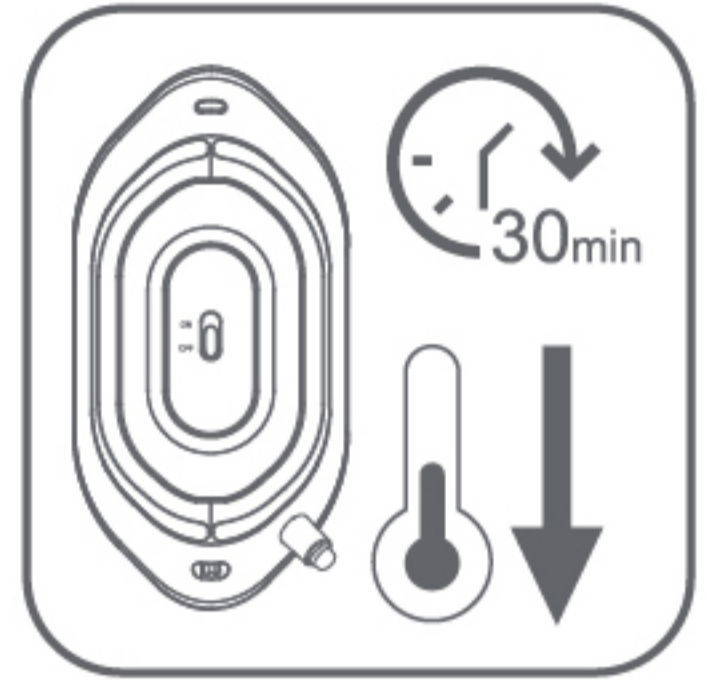
2. Unplug the appliance.



3. Place unit (Soleplate down) on the heat-resistant silicone stand.



4. Wait for 30 minutes for soleplate to cool before storing. Don't touch the hot soleplate to avoid burns.



5. When placing the iron on its stand, ensure that the surface on which the stand is placed is stable.



## Cleaning

1. Wait half an hour for the appliance to completely cool down.

2. Wipe Main Body and Soleplate with a soft cloth lightly moistened with water.

- DO NOT clean Soleplate with detergents.
- DO NOT clean Soleplate with abrasive or corrosive products.

3. Never wash or rinse appliance directly over a sink.





**Note:** Do not use sharp or abrasive cleaning agents or objects to clean soleplate or other parts of the iron.

## Storing your iron

1. Ensure that the unit is both unplugged and turned off
2. Store it in a cool dry place.
3. DO NOT wrap the power cord around the unit, place it loosely.

## Limited One-Year Warranty

**Thank you for your purchase!**

### **WARRANTY:**

Enjoy a warranty for the travel iron for one year.

### **REPLACEMENT POLICY:**

Free replacements are based on manufacturing defects but not replaced for the reason of abusing, misusing, or other non-intended usages of the travel iron. Based on the specific situation of the sample back, we reserve the right for maintenance or replacement.

### **EXCELLENT CUSTOMER SERVICE:**

If you experience any issues with this product, please contact us, Newbealer is happy to be of service all the time. Any suggestions are also welcome.

# **Newbealer**