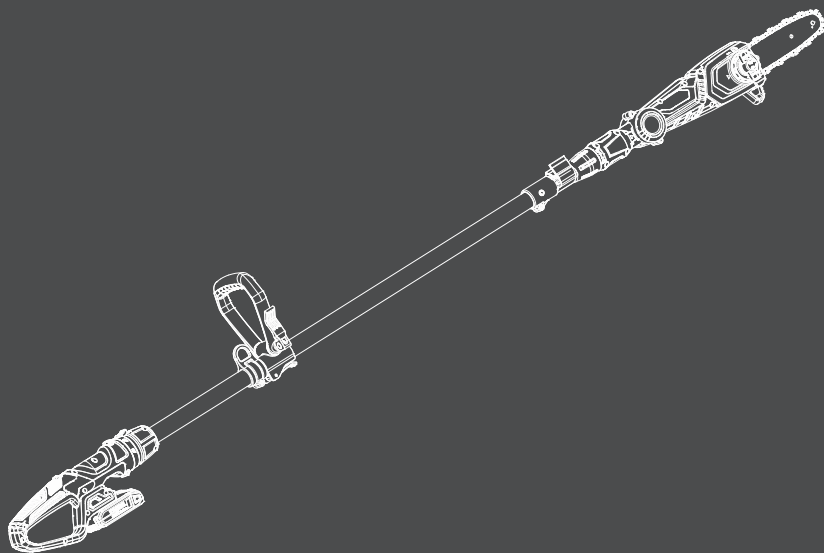


HYUNDAI
POWER PRODUCTS

CORDLESS POLE SAW HY20CPS

INSTRUCTION MANUAL



WARNING: READ THE INSTRUCTIONS CAREFULLY BEFORE USE.

ISS: NOV/24

Contents

Introduction.....	3
Safety Information.....	4
Unboxing.....	15
In The Box.....	16
Features.....	18
Assembly.....	20
Operation.....	30
Maintenance & Care.....	33
Technical Data.....	36
Recycling & Disposal.....	37
EU Declaration Of Conformity.....	39
Notes.....	40
Useful Information.....	41
Product Record.....	42
Contact Us.....	43

Introduction

Thank You For Purchasing Your HYUNDAI Product

We work very hard to give all of our customers the best possible service. If you have any problems, before leaving negative feedback, please contact us to give us a chance to resolve the issue. We would be delighted if you left us positive feedback! Thank you for purchasing this product.

Important!



WARNING: READ THE INSTRUCTION BOOKLET THOROUGHLY BEFORE USING THE MACHINE. Keep for future reference and pass it on if the machine is loaned or sold to another user.

This manual has been produced by Hyundai Power Products and should be kept with the product. Please read and understand these instructions before you use your product. Failure to do this may result in personal injury or damage to the product.

The safety precautions and warnings are to ensure your safety and protect you from harm or damage to the product.

The information contained in this manual was accurate at the time of production, however HYUNDAI Power Products may make modifications to the product without notification.

Safety Information

General Power Tool Safety Warnings

WARNING Read all safety warnings, instructions, illustrations and specifications provided with this power tool. Failure to follow all instructions listed below may result in electric shock, fire and/or serious injury.

Save all warnings and instructions for future reference.

The term "power tool" in the warnings refers to your mains-operated (corded) power tool or battery-operated (cordless) power tool.

Work Area Safety

a) Keep work area clean and well lit. *Cluttered or dark areas invite accidents.*

b) Do not operate power tools in explosive atmospheres, such as in the presence of flammable liquids, gases or dust. *Power tools create sparks which may ignite the dust or fumes.*

c) Keep children and bystanders away while operating a power tool. *Distractions can cause you to lose control.*

Electrical Safety (With Charger)

a) Power tool plugs must match the outlet. Never modify the plug in any way. Do not use any adapter plugs with earthed (grounded) power tools. *Unmodified plugs and matching outlets will reduce risk of electric shock.*

b) Avoid body contact with earthed or grounded surfaces, such as pipes, radiators, ranges and refrigerators. *There is an increased risk of electric shock if your body is earthed or grounded.*

c) Do not expose power tools to rain or wet conditions. *Water entering a power tool will increase the risk of electric shock.*

d) Do not abuse the cord. Never use the cord for carrying, pulling or unplugging the power tool. Keep cord away from heat, oil, sharp edges or moving parts. *Damaged or entangled cords increase the risk of electric shock.*

e) When operating a power tool outdoors, use an extension cord suitable for outdoor use. *Use of a cord suitable for outdoor use reduces the risk of electric shock.*

f) If operating a power tool in a damp location is unavoidable, use a residual current device (RCD) protected supply. *Use of an RCD reduces the risk of electric shock.*

Safety Information

Personal Safety

a) Stay alert, watch what you are doing and use common sense when operating a power tool. Do not use a power tool while you are tired or under the influence of drugs, alcohol or medication. A moment of inattention while operating power tools may result in serious personal injury.

b) Use personal protective equipment. Always wear eye protection. Protective equipment such as a dust mask, non-skid safety shoes, hard hat, or hearing protection used for appropriate conditions will reduce personal injuries.

c) Prevent unintentional starting. Ensure the switch is in the off-position before connecting to power source and/or battery pack, picking up or carrying the tool. Carrying power tools with your finger on the switch or energising power tools that have the switch on invites accidents.

d) Remove any adjusting key or wrench before turning the power tool on. A wrench or a key left attached to a rotating part of the power tool may result in personal injury.

e) Do not overreach. Keep proper footing and balance at all times. This enables better control of the power tool in unexpected situations.

f) Dress properly. Do not wear loose clothing or jewellery. Keep your hair and clothing away from moving parts. Loose clothes, jewellery or long hair can be caught in moving parts.

g) If devices are provided for the connection of dust extraction and collection facilities, ensure these are connected and properly used. Use of dust collection can reduce dust-related hazards.

h) Do not let familiarity gained from frequent use of tools allow you to become complacent and ignore tool safety principles. A careless action can cause severe injury within a fraction of a second.

Power Tool Use and Care

a) Do not force the power tool. Use the correct power tool for your application. The correct power tool will be more effective and safer at the rate for which it was designed.

b) Do not use the power tool if the switch does not turn it on and off. Any power tool that cannot be controlled with the switch is dangerous and must be repaired.

c) Disconnect the plug from the power source and/or remove the battery pack, if detachable, from the power tool before making any adjustments, changing accessories, or storing power tools. Such preventive safety

www.hyundaipowerproducts.co.uk

Safety Information

measures reduce the risk of starting the power tool accidentally.

d) Store idle power tools out of the reach of children and do not allow persons unfamiliar with the power tool or these instructions to operate the power tool. *Power tools are dangerous in the hands of untrained users.*

e) Maintain power tools and accessories. Check for misalignment or binding of moving parts, breakage of parts and any other condition that may affect the power tool's operation. If damaged, have the power tool repaired before use. *Many accidents are caused by poorly maintained power tools.*

f) Keep cutting tools sharp and clean. *Properly maintained cutting tools with sharp cutting edges are less likely to bind and are easier to control.*

g) Use the power tool, accessories and tool bits etc. in accordance with these instructions, taking into account the working conditions and the work to be performed. *Use of the power tool for operations different from those intended could result in a hazardous situation.*

h) Keep handles and grasping surfaces dry, clean and free from oil and grease. *Slippery handles and grasping surfaces do not allow for safe handling and control of the tool in unexpected situations.*

Battery Tool Use and Care

a) Recharge only with the charger specified by the manufacturer. *A charger that is suitable for one type of battery pack may create a risk of fire when used with another battery pack.*

b) Use power tools only with specifically designated battery packs. *Use of any other battery packs may create a risk of injury and fire.*

c) When battery pack is not in use, keep it away from other metal objects, like paper clips, coins, keys, nails, screws or other small metal objects, that can make a connection from one terminal to another. *Shorting the battery terminals together may cause burns or a fire.*

d) Under abusive conditions, liquid may be ejected from the battery; avoid contact. If contact accidentally occurs, flush with water. If liquid contacts eyes, additionally seek medical help. *Liquid ejected from the battery may cause irritation or burns.*

e) Do not use a battery pack or tool that is damaged or modified. *Damaged or modified batteries may exhibit unpredictable behaviour resulting in fire, explosion or risk of injury.*

f) Do not expose a battery pack or tool to fire or excessive temperature. *Exposure to fire or temperature above 130 °C may cause explosion.*

g) Follow all charging instructions and do not charge the battery pack or tool outside the temperature range specified in the instructions. *Charging improperly or at temperatures outside the specified range may damage*

www.hyundaipowerproducts.co.uk

Safety Information

the battery and increase the risk of fire.

Service

a) Have your power tool serviced by a qualified repair person using only identical replacement parts. *This will ensure that the safety of the power tool is maintained.*

b) Never service damaged battery packs. *Service of battery packs should only be performed by the manufacturer or authorized service providers.*

Pole Saw Safety Warnings

a) Keep the pole saw a sufficient distance away from overhead electrical power lines.

b) Be aware of the dangerous of operating positions, as well as the risk of being struck by falling branches or branches that, having hit the ground, rebound, the operator may be struck by falling branches or by those that rebound after hitting the ground. Remove the branches in sections.

c) Keep bystanders at a safe distance from the machine during its operation.

d) Keep firm footing and balance during operation, including the need to use the harness provided.

e) Use PPE when operating, including hearing protection, eye protection (visor or glasses) and head protection and clothing.

Safety Warnings for Lithium Battery Pack

WARNING: DO NOT use these batteries if they become damaged, swollen or hot during charging or use.

WARNING: DO NOT charge these batteries overnight when unattended.

a) Do not dismantle, open or shred cells or battery pack.


b) Do not short-circuit a battery pack. Do not store battery packs haphazardly in a box or drawer where they may short-circuit each other or be short-circuited by conductive materials. *When battery pack is not in use, keep it away from other metal objects, like paper clips, coins, keys, nails, screws or other small metal objects, that can make a connection from one terminal to another. Shorting the battery terminals together may cause burns or a fire.*

c) Do not expose battery pack to heat or fire. Avoid storage in direct sunlight.

Safety Information

- d) Do not subject battery pack to mechanical shock.
- e) In the event of battery leaking, do not allow the liquid to come into contact with the skin or eyes. If contact has been made, wash the affected area with copious amounts of water and seek medical advice.
- f) Keep battery pack clean and dry.
- h) Wipe the battery pack terminals with a clean dry cloth if they become dirty.
- g) Battery pack needs to be charged before use. Always refer to this instruction and use the correct charging procedure.
- h) Do not maintain battery pack on charge when not in use.
- i) After extended periods of storage, it may be necessary to charge and discharge the battery pack several times to obtain maximum performance.
- j) Recharge only with the charger specified by Hyundai. Do not use any charger other than that specifically provided for use with the equipment.
- k) Do not use any battery pack which is not designed for use with the equipment.
- l) Keep battery pack out of the reach of children.
- m) Retain the original product literature for future reference.
- n) Remove the battery from the equipment when not in use.
- o) Dispose of properly.
- p) Do not mix cells of different manufacture, capacity, size or type within a device.
- q) Keep the battery away from microwaves and high pressure.
- r) **Warning! Do not use non-rechargeable batteries.**

SAFETY WARNINGS FOR CHARGER

 **WARNING!** Read all safety warnings and all instructions. Failure to follow all instructions listed below may result in electric shock, fire and/or serious injury.

Save all warnings and instructions for future reference.

WARNING! Never allow children or people unfamiliar with these instructions to use the product. Local regulations can restrict the minimum age of the operator.

Keep children, pets, and other people not using the unit a sensible distance away from the work area. Be alert and shut off the unit if anyone enters work area. Keep children under the watchful care of a responsible adult.

Safety Information

If the supply cord is damaged, It must be replaced by the manufacturer, its service agent or similarly qualified persons in order to avoid a hazard.

- a) Before charging, read the instructions.
- b) Do not charge a leaking battery.
- c) Do not use chargers for works other than those for which they are designed.
- d) Before charging, ensure your charger is matching the local AC supply.
- e) For indoor use, or do not expose to rain.
- f) The charging device must be protected from moisture.
- g) Do not use the charging device outdoors.
- h) Do not short out the contacts of battery or charger.
- i) Respect the polarity "+/-" when charging.
- j) Do not open the unit and keep it out of the reach of children.
- k) Do not charge the batteries of other manufacturers or ill-suited models
- l) Ensure that the connection between the battery charger and battery is correctly positioned and is not obstructed by foreign bodies.
- m) Keep battery charger's slots free of foreign objects and protect against dirt and humidity. Store in a dry and frost-free place.
- n) When charging batteries, ensure that the battery charger is in a well-ventilated area and away from inflammable materials. Batteries can get hot during charging. Do not overcharge any batteries. Ensure that batteries and chargers are not left unsupervised during charging.
- o) Do not recharge non-rechargeable batteries, as they can overheat and break.
- p) Longer life and better performance can be obtained if the battery pack is charged when the air temperature is between 18°C and 24°C. Do not charge the battery pack in air temperatures below 0°C, or above 40°C. This is important as it can prevent serious damage to the battery pack.
- q) Charge only battery pack of the same model provided by manufacturer and of models recommended by manufacturer.

Safety Information

⚠ Noise & Vibrations (Where Applicable)

The declared vibration total value and the declared noise emission value have been measured in accordance with a standard test method and may be used for comparing one tool with another.

The declared vibration total value and the declared noise emission value may also be used in a preliminary assessment of exposure.

⚠ WARNING: The vibration and noise emissions during actual use of the power tool can differ from the declared value depending on the ways in which the tool is used especially. Please consider the following the factors:

- How the tool is used and the materials being cut.
- The tool being in good condition and well maintained.
- The use of the correct accessory for the tool and ensuring it is sharp and in good condition.
- The tightness of the grip on the handles and if any anti vibration and noise accessories are used.
- The tool is being used as intended by its design and these instructions.

This tool may cause hand-arm vibration syndrome if its use is not adequately managed.

⚠ WARNING: For an accurate estimation of exposure level during normal working conditions, please consider all parts of the operating cycle such when the tool is switched off or running idle. This may significantly reduce the exposure level over the total working period.

Best practices to minimise your exposure:

- Always use sharp chisels, drills and blades (where applicable).
- Maintain this tool in accordance with these instructions and keep well lubricated (where applicable).
- If the tool is to be used regularly then invest in anti vibration and noise accessories.
- Plan your work schedule to spread any high vibration tool use across a number of days.

Safety Information


Residual Risks

Even when tool is used as prescribed it is not possible to eliminate all residual risk factors. The following hazards may arise in connection with the tool's construction and design:

1. Damage to lungs if an effective dust mask is not worn.

2. Damage to hearing if effective hearing protection is not worn.

Health defects resulting from vibration emission if the power tool is being used over longer period of time or not adequately managed and properly maintained.

 WARNING: This machine produces an electromagnetic field during operation. This field may under some circumstances interfere with active or passive medical implants. To reduce the risk of serious or fatal injury, we recommend persons with medical implants to consult their physician and the medical implant manufacturer before operating this machine.

Safety Information

Intended Use

The HY20CPS is an battery powered pole saw from HYUNDAI.

This machine is a garden tool. The machine is manufactured according to the latest safety requirements. Every precaution is only effective when it is followed exactly.

Intended Use

The pole saw is intended to take care of trees and bushes in the private sector.

The pole saw is designed for cutting tree branches and trunks up to a diameter that is no longer than the 8" (20cm). DO NOT use for cutting tree trunks or branches larger than 8" (20cm) in diameter.

User Types

This product is for personal domestic DIY use only.

It is not suitable for commercial, industrial, or trade use.

Improper Use

The pole saw is suitable for cutting wood only. DO NOT use it to saw plastic, masonry, building materials, or any other items which are not made of wood.

Safety Information

⚠ Symbol

Appropriate Personal Protective Equipment (PPE), MUST be worn at all times when operating or repairing the machine. No protective equipment can ensure 100% protection.

When selecting PPE, make sure it's CE marked and it suits the user in terms of size, fit, etc. If more than one item of PPE is worn at the same time, make sure they can be used together, e.g. wearing safety glasses may disturb the seal of a respirator, causing air leaks.



Read the operating instructions and store them in a safe place.



Warning



Wear eye protection



Wear ear protection



Wear head protection



Protective gloves



Protective footwear



Keep sufficient distance away from electrical power lines



Do not expose to moisture

www.hyundaipowerproducts.co.uk

Safety Information



Do not burn



Batteries may enter water cycle if disposed improperly, which can be hazardous for ecosystem. Do not dispose of waste batteries as unsorted municipal waste.



Li-Ion battery This product has been marked with a symbol relating to 'separate collection' for all battery packs and battery pack. It will then be recycled or dismantled in order to reduce the impact on the environment. Battery packs can be hazardous for the environment and for human health since they contain hazardous substances.



Read operator's manual



For indoor use only



Positive terminal



Negative terminal



Double insulation



Fuse



Waste electrical products must not be disposed of with household waste. Please recycle where facilities exist. Check with your local authorities or retailer for recycling advice.

Unboxing

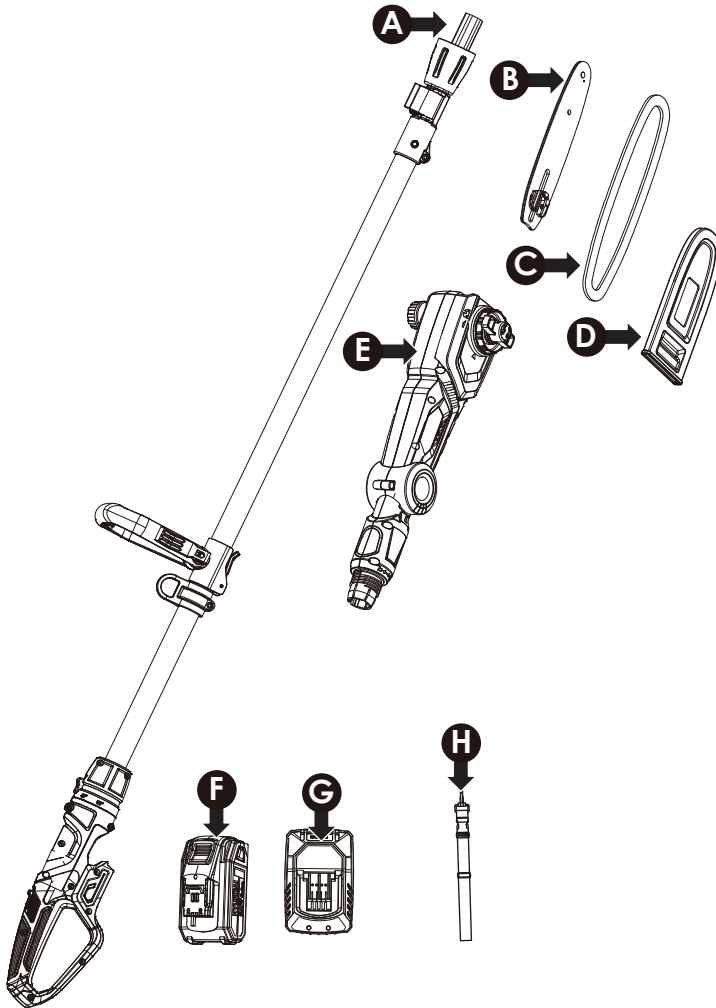
⚠ WARNING: Unboxing and assembling the machine should be done on a flat, surface with enough room. Disposal of the packaging should be done in accordance with the local regulations in force.

⚠ WARNING: Some of the packaging material may be harmful to children. Keep out of reach of children.

1. Carefully remove the product from the packaging and examine it for any sign of damage caused during shipping.
2. Lay the contents out and check them. If any part is damaged or missing, you must not use the machine. Contact HYUNDAI POWER PRODUCTS immediately.
3. You must keep the packaging material in case the machine needs to be returned or repaired.
4. Ensure that you have all the accessories and tools you need for assembly and operation including the suitable personal protective equipment.

In The Box

*Not To Scale



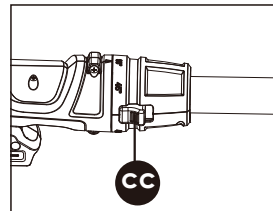
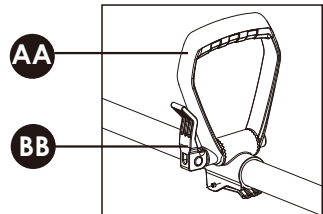
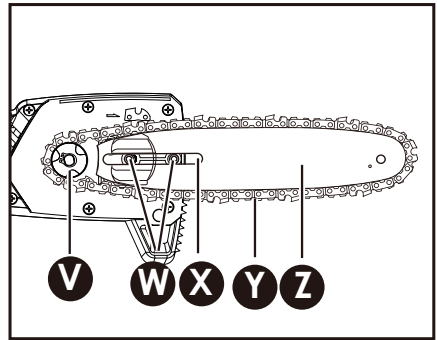
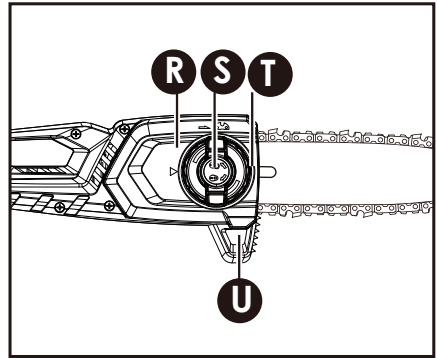
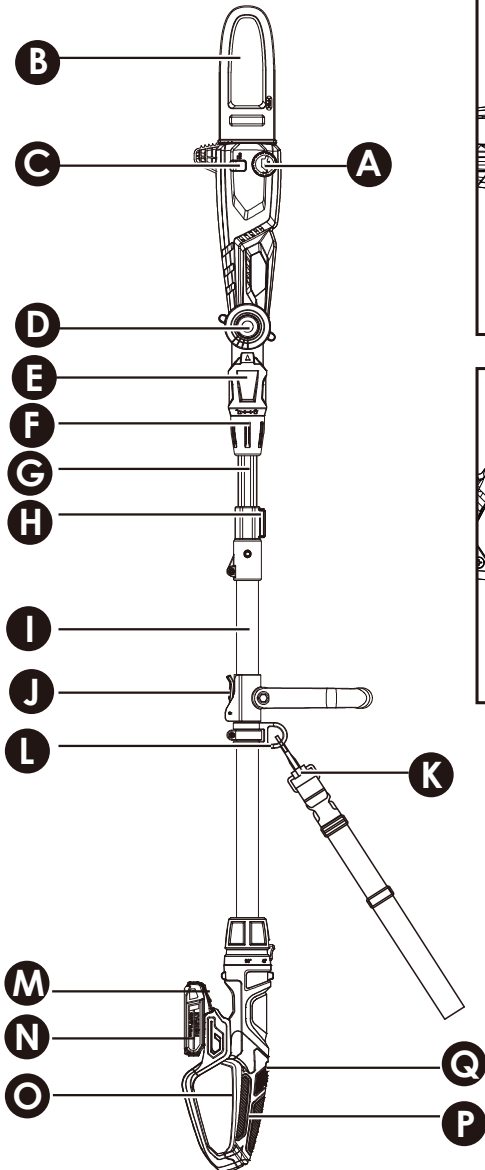
Descriptions on next page 

www.hyundaipowerproducts.co.uk

In The Box

- A** Handle assembly
- B** Chain bar
- C** Chain
- D** Chain bar sheath
- E** Saw head assembly
- F** Battery pack
- G** Charger
- H** Shoulder strap

Features



Features

- A** Oil filler cap
- B** Chain bar sheath
- C** Oil level window
- D** Release button for head angle adjusting
- E** Saw head assembly
- F** Collar
- G** Upper telescopic pole
- H** Clamping lever for extending / shortening the telescopic pole
- I** Lower telescopic pole
- J** Auxiliary handle lock knob
- K** Shoulder strap
- L** Shoulder strap connector
- M** Battery pack release button
- N** Battery pack
- O** On/Off switch
- P** Hand grip area
- Q** Trigger safety lock button
- R** Chain sprocket cover
- S** Chain sprocket cover tensioning knob
- T** Saw chain tensioning knob
- U** Spiked bumper
- V** Drive sprocket
- W** Two guide pins
- X** Slotted hole
- Y** Saw chain
- Z** Guide bar
- AA** Auxiliary handle
- BB** Quick release knob for auxiliary handle
- CC** Main handle rotary control button

Assembly

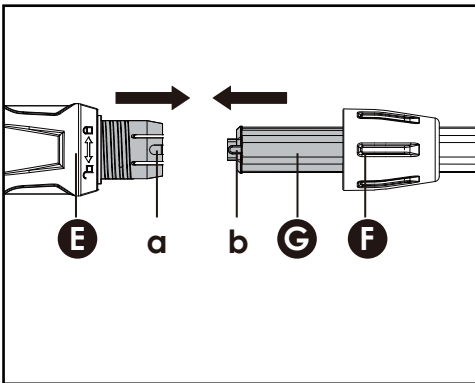
Assembly Overview

There are 12 steps to the assembly:

- STEP 1. Installing the Pole Saw Attachment
- STEP 2. Fitting the Saw Chain and Guide Bar
- STEP 3. Tensioning the Saw Chain
- STEP 4. Chain Lubrication
- STEP 5. Filling Saw Bar and Chain Oil
- STEP 6. Attaching/Setting the Shoulder Strap
- STEP 7. Adjusting the Telescopic Pole
- STEP 8. Tilt Saw Head
- STEP 9. Adjusting the Angle of the Auxiliary Handle
- STEP 10. Adjusting the Position of the Auxiliary Handle
- STEP 11. Adjusting the Main Handle
- STEP 12. Battery Charging and Installation

STEP 1 : Installing the Pole Saw Attachment

1. Slide the end of the hexagonal aluminum pipe on the upper telescopic pole (**G**) into the saw head assembly (**E**) until it reaches the stop. Ensure that the nose (**b**) of the hexagonal aluminum pipe aligns properly with the nut (**a**) on the saw head assembly (**E**) during this process.
2. Secure the connection by fastening both parts with the collar (**F**).



STEP 2 : Fitting the Saw Chain and Guide Bar

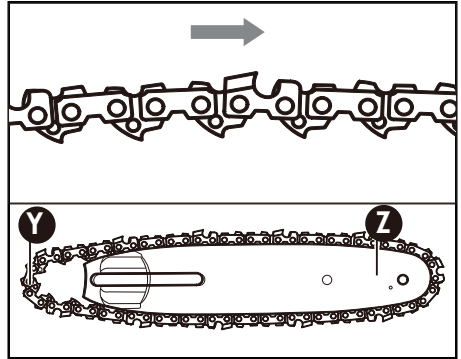
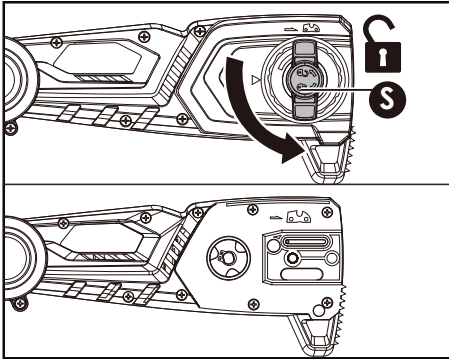
⚠ WARNING: Danger of laceration injuries. The sharp edges of the saw chain can cause serious cuts during assembly.

- Always remove the rechargeable battery (**N**) before assembling.
- Wear safety gloves when handling the saw chain (**Y**) and guide bar (**Z**).

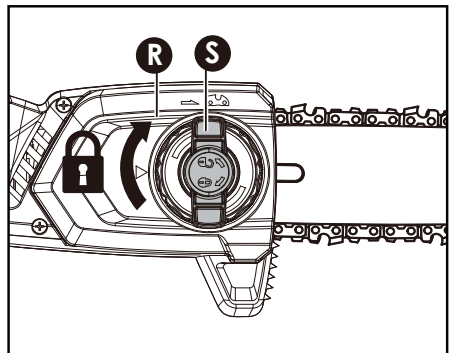
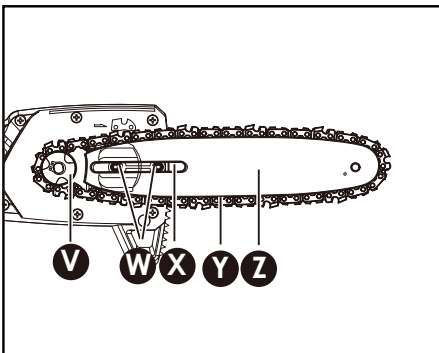
www.hyundaipowerproducts.co.uk

Assembly

1. Turn the chain sprocket cover tensioning knob **(S)** anti-clockwise to loosen it, then remove the chain sprocket cover **(R)**.
2. Arrange the saw chain **(Y)** in a loop, ensuring the angled cutting edges of the chain links face clockwise.
3. Fit the saw chain **(Y)** into the groove of the guide bar **(Z)**.



4. Place the guide bar **(Z)** along with the saw chain **(Y)** into the open housing, ensuring the saw chain **(Y)** is looped around the drive sprocket **(V)**. Position the guide bar **(Z)** so that the two guide pins **(W)** engage with the slotted hole **(X)** on the guide bar **(Z)**. Make sure the saw chain **(Y)** sits properly within the groove of the guide bar **(Z)** and around the drive sprocket **(V)**.
5. Reattach the cover **(R)** by securing the rear section first, followed by the front, ensuring the pin **(W)** is correctly aligned. Partially tighten the chain sprocket cover tensioning knob **(S)**, leaving it loose enough to allow for saw chain **(Y)** tensioning, which will be performed later.



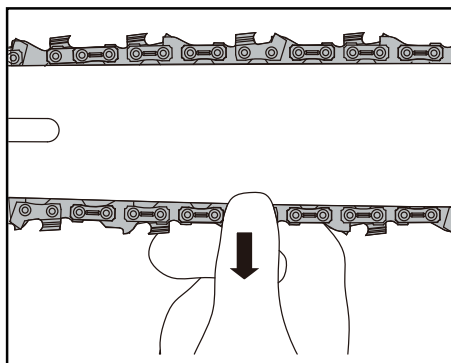
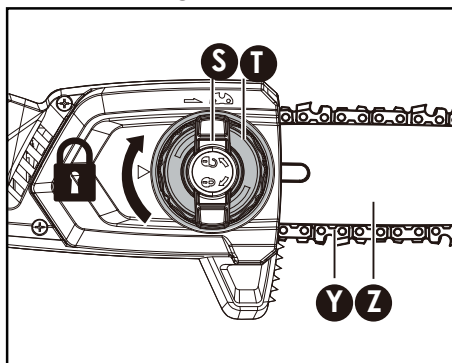
Assembly

STEP 3 : Tensioning the Saw Chain

⚠ WARNING: Before performing any servicing, turn off the device and remove the battery (N). Proper tensioning of the saw chain (Y) is crucial for both your safety and performance of your device. Maintaining correct chain tension will also extend the lifespan of your equipment.

⚠ WARNING: Always wear gloves when tensioning the saw chain (Y). Before using the chainsaw, after the first cuts, and periodically during use, check the saw chain tension to ensure proper performance. New chains may stretch significantly during initial operation, which is normal during the break-in period. Over time, the frequency of tension adjustments will decrease as the chain settles.

1. Turn the saw chain tensioning knob (T) clockwise until it is securely hand-tight. The tension is automatically adjusted as the knob is tightened.
2. Make sure the tension set by the automatic saw chain tensioning knob (T) is suitable for operation. Proper chain tension is achieved when the chain (Y) can be lifted approximately 0.08''–0.16'' (2–4 mm) from the center of the guide bar (Z).



STEP 4 : Chain Lubrication

⚠ WARNING: Always switch off the device and allow the motor to cool before re-filling bar and chain oil. There is a risk of fire if chain oil overflows.

Guide bar (Z) and saw chain (Y) must always be oiled. Non-observance of this will result in increased wear on the guide bar (Z) and saw chain (Y). The device is equipped with an automatic oil system. As soon as the motor is engaged, the oil flows faster to the guide bar (Z).

www.hyundaipowerproducts.co.uk

Assembly

STEP 5 : Filling Saw Bar and Chain Oil

NOTE: Your device is equipped with 100ml lubricating oil.

Use of the device without bar and chain oil will lead to the damage of the saw chain **(Y)** and guide bar **(Z)**.

- Never operate the device without bar and chain oil.
- Before starting work, fill the saw bar and chain oil tank.
- Check bar and chain oil level frequently during operation.
- Before starting work each time, ensure that the chain lubrication system is functioning properly.

The service life and cutting performance of the saw chain **(Y)** are reliant on proper lubrication. During operation, the saw chain **(Y)** is automatically lubricated with oil.

Using used oil is strongly discouraged, as it contains metallic abrasives and other contaminants that can cause premature wear to both the guide bar **(Z)** and the saw chain **(Y)**. Additionally, using used oil will **void the warranty**. Always avoid using used oil. Instead, exclusively use biodegradable bar and chain oil.

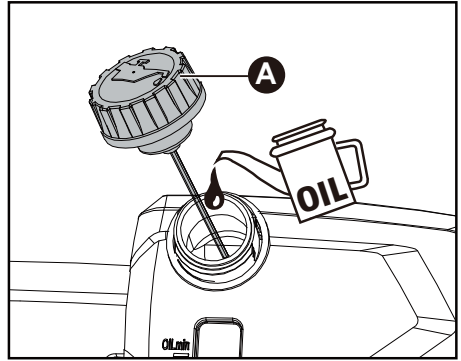
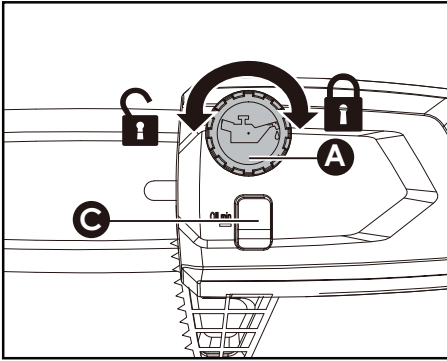
Using mineral oil for chain lubrication causes significant environmental harm. Avoid using mineral oil entirely. Instead, opt for biodegradable bar and chain oil.

Before beginning work or replacing the battery **(N)**, always inspect the oil level. Refill the bar and chain oil as needed to ensure proper operation.

⚠ WARNING: Use a funnel to facilitate easier filling. Do not allow any dirt to get into the oil tank.

1. Check the oil level through the oil level window **(C)**. Oil should always be visible within the window, and the oil level must remain between the minimum and maximum marks.
2. To check the oil level, place the device on a firm, horizontal surface and hold it steady.
3. Clean the area around the oil filler cap **(A)** to ensure no debris enters when opened.
4. Unscrew the oil filler cap **(A)**.
5. Add biodegradable bar and chain oil to the oil tank. While filling, monitor the oil level in the oil level window **(C)** and ensure it does not overflow.
6. Once the desired oil level is reached, securely screw the oil filler cap **(A)** back in place.

Assembly



STEP 6 : Attaching/Setting the Shoulder Strap

1. The supplied shoulder strap (**K**) transfers the load onto your upper body.

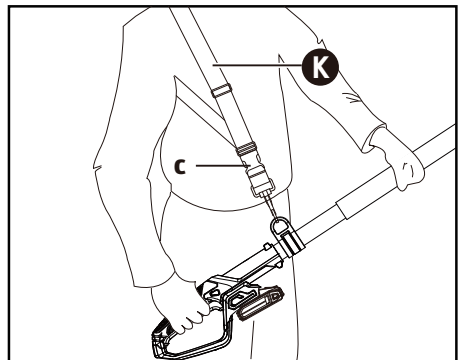
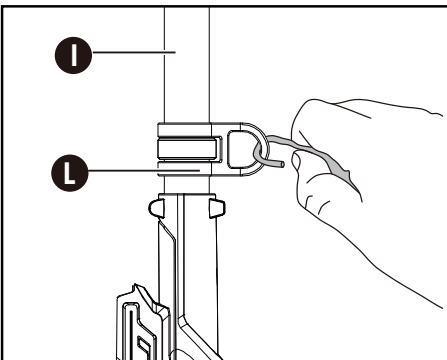
Attach the carabiner hook of the shoulder strap (**K**) to the shoulder strap connector (**L**) on the lower telescopic pole (**I**) of the device.

2. To quickly release the shoulder strap, press the buckle (**c**) on the strap.

3. Drape the shoulder strap (**K**) over your shoulder.

4. Adjust the length of the shoulder strap (**K**) by sliding the buckle to a comfortable position, ensuring the device is easy to carry.

5. Perform several work movements with the device turned off to assess the comfort of the shoulder strap (**K**). If necessary, make further adjustments to the strap's length.



Assembly

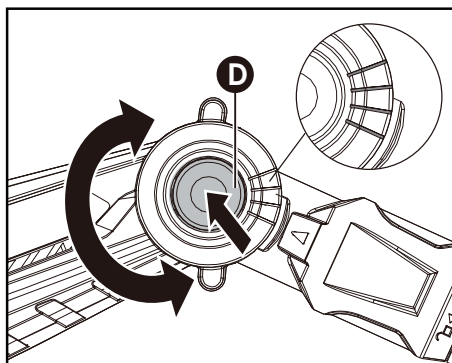
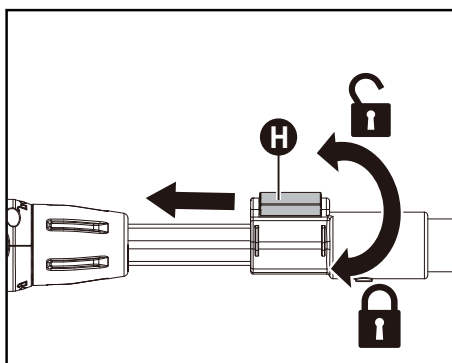
STEP 7 : Adjusting the Telescopic Pole

The telescopic pole can be easily adjusted using the quick release mechanism.

1. Open the clamping lever (**H**).
2. Hold the device and adjust the pole length by pushing or pulling.
3. Close the clamping lever (**H**) to securely lock the telescopic pole in place.

STEP 8 : Tilt Saw Head

The saw head can be tilted into four positions, allowing for cutting of angled or crooked branches. To adjust, press and hold the release button (**D**) while tilting the saw head. Once the desired position is reached, release the button (**D**) to lock the saw head in place.

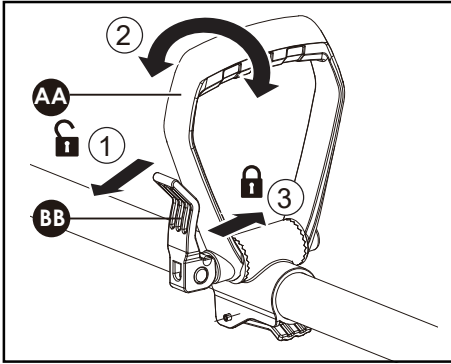


STEP 9 : Adjusting the Angle of the Auxiliary Handle

1. Pull the quick release knob (**BB**) outward to disengage the auxiliary handle (**AA**) from the handlebar.
2. Adjust the angle of the auxiliary handle by moving it forwards or backwards.
3. Push the quick release knob (**BB**) inward to secure the auxiliary handle (**AA**) in place.

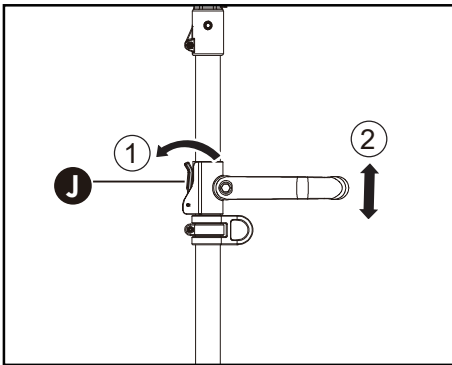
NOTE: If the quick release knob is difficult to fold, loosen it and then fold it again. If the knob is too loose, tighten it by turning it clockwise.

Assembly



STEP 10 : Adjusting the Position of the Auxiliary Handle

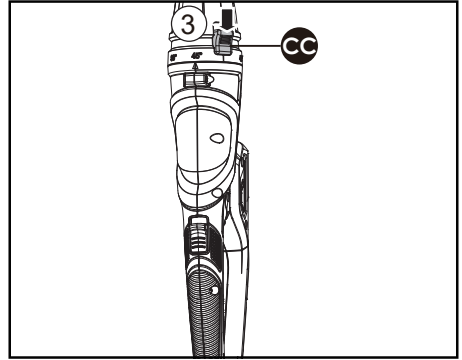
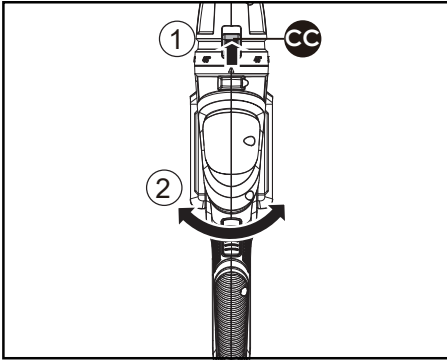
1. Pull the auxiliary handle lock knob (**J**) outward to release the handle.
2. Adjust the auxiliary handle's position by sliding it forwards or backwards.
3. Push the auxiliary handle lock knob (**J**) inward to securely lock the handle in place.



STEP 11 : Adjusting the Main Handle

The main handle features a swivel function with a 90-degree range of motion from left to right (-90°, -45°, 0°, 45°, 90°). To adjust the handle, press the rotary control button (**CC**) on the main handle, rotate the handle to the desired position, then release the rotary control button (**CC**) to lock the handle in place.

Assembly



STEP 12 : Battery Charging and Installation

1. Charge the battery pack

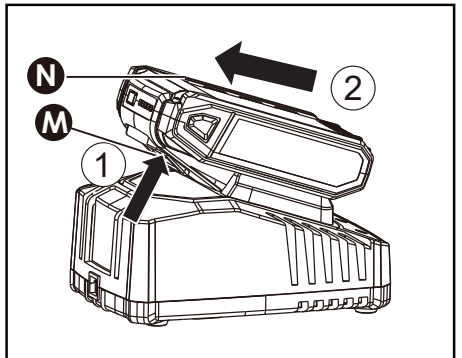
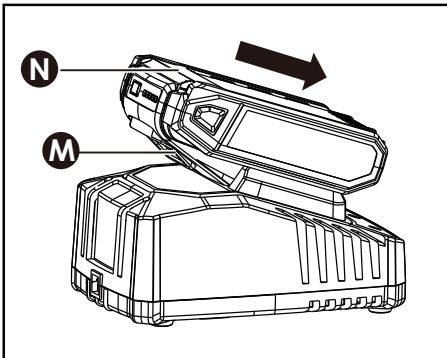
Use only the charger specifically provided for use with this equipment. If the battery pack becomes very hot you must remove your battery pack from the charger and allow time for the battery to cool down before recharging.

Fully charge the battery before storing it. For prolonged storage, recharge the battery every three months to maintain its performance

2. To Remove or Install the Battery Pack

To remove the battery pack, firmly press the release button (**M**) and then slide the battery pack (**N**) out from your tool.

After recharging, slide the battery pack back into tool's battery port. A simple push with light pressure will be sufficient to secure it into place.



Assembly

3. Charging procedure

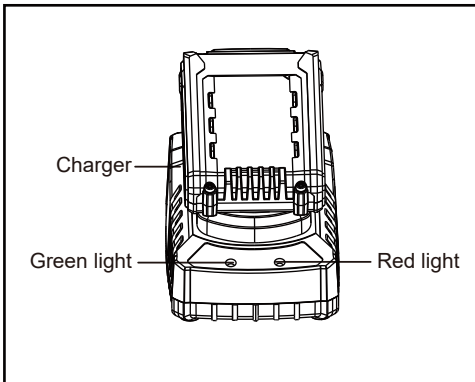
1) Plug the charger into the correct power supply. The green light will illuminate.

2) Slide the battery pack into the charger, ensuring it is securely positioned in the correct charging orientation. The green light will turn off, and the red light will illuminate to indicate that charging has begun.

Once charging is complete, the red light will turn off, and the green light will illuminate.

After the battery is fully charged, unplug the charger and remove the battery pack. **NOTE:** If the battery pack is locked in the charger, press the battery pack release button to release and remove it.

⚠ WARNING: If the battery charge is depleted after continuous use or exposure to direct sunlight or heat, allow the tool to cool down before recharging to ensure a full charge is achieved.







4. Charging indicator

This charger is equipped to detect potential issues with battery packs. Indicator lights signal any problems (refer to the table below). If a problem arises, insert a new battery pack to verify if the charger is functioning properly.

- If the new battery charges correctly, the original battery pack is defective and should be returned to a service centre or recycling facility.
- If the new battery pack exhibits the same issue as the original, have the charger inspected and tested at an authorised service centre.

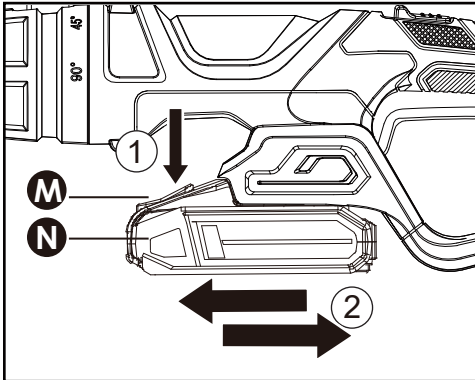
Assembly

Light	ON/OFF flash	Status
Red on ● 	————	Charging
Red flash 	- - - - -	Defective battery
Green on ● 	————	Fully charged
Green flash 	- - - - -	Battery too hot/cold

5. To remove or install the battery pack into the tool

Press the battery pack release button firmly, while simultaneously sliding the battery pack out from your tool.

Slide the fully charged battery pack onto the tool with sufficient force until it clicks into position.



Checking the power condition of battery pack

The battery level can be known from the battery indicator light by pressing the button beside the lights.

Operation

On / Off Switch

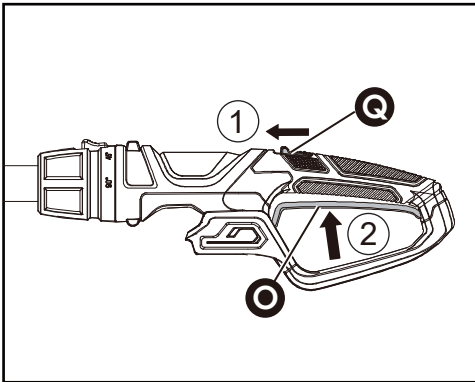
⚠ WARNING: Ensure you are standing in a stable position with both hands firmly gripping the device, keeping it away from your body. Ensure that the device is not in contact with any other objects before turning it on.

Switching on the device

1. Bring the device into the working position.
2. Insert the battery pack **(N)**.
3. Press and hold the trigger safety lock button **(Q)** on the device.
4. Press and hold the on/off switch **(O)**.
5. Once the saw is engaged, the trigger safety lock button **(Q)** can be released. It is not necessary to keep the trigger safety lock button **(Q)** pressed once the device has started. The trigger safety lock button **(Q)** is intended to prevent inadvertent starting of the device.

Switching off the device

1. Release the on/off switch **(O)**.



Checking the Automatic Oil Function

Before starting work, check the oil level in the automatic oil system.

1. Switch the device on and hold it above clear ground. The device should not touch the ground.
2. If a trace of oil appears, the device is working as expected.
3. If no trace of oil appears, clean the oil outlet channel or have the device repaired by our customer service department.

Operation

4. To clean, wipe the residues from the oil outlet channel using a brush or a rag.

Operation Safety

- Maintain the equipment, cutting attachments, and chain bar sheath in good condition to prevent injury.
- If the equipment is dropped, inspect it for any damage or defects
- Ensure the specified working angle of $60^{\circ} \pm 10^{\circ}$ is observed to guarantee safe operation.
- Never use the device while standing on a ladder or in any unsafe position.
- Avoid making unplanned cuts, as they could endanger both you and others.
- Children must be supervised to prevent them from playing with the device. KEEP OUT OF REACH OF CHILDREN.
- Change your working position regularly. Prolonged use of the equipment can cause vibration-related circulatory disorders in the hands. However, you can extend working time by using appropriate gloves or taking regular breaks. Keep in mind that personal factors such as poor circulation, cold outdoor temperatures, or excessive gripping forces can reduce the amount of time you can safely use the device.

Correct Operation/Tree Trimming Technique

⚠ WARNING: Elevated positions increase the risk of falling. There is a higher likelihood of falls when working at height.

Always begin work from the ground, ensuring that you are standing securely. Follow all safety instructions carefully.

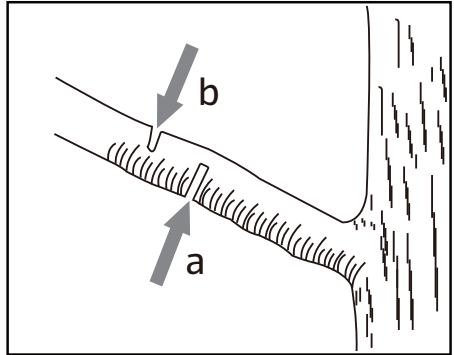
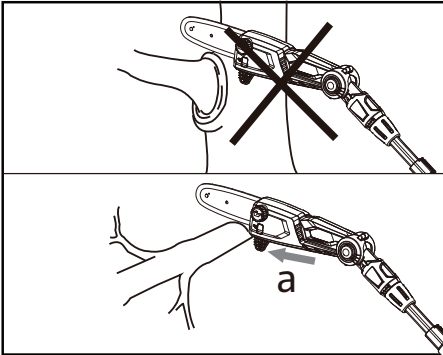
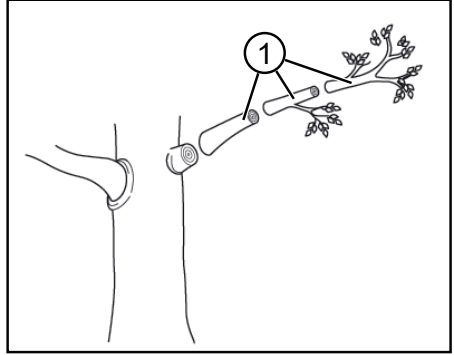
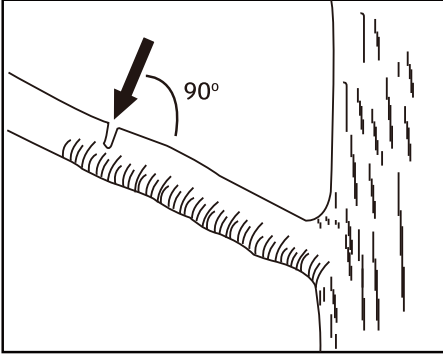
- When possible, position yourself so that the cut is made at a 90° angle to the branch.
- For thicker branches, make the cut in sections to maintain better control over the point of impact.
- Never saw into the flare at the base of the branch. This helps promote proper wound healing and reduces the risk of rot.
- Use the tree grip to press the pole saw against the branch while sawing, which will stabilize the saw.
- Prior to sawing off the branch, make a relief cut on the underside. This helps prevent the bark from tearing and causing difficult-to-heal

www.hyundaipowerproducts.co.uk

Operation

damage. Ensure the relief cut does not exceed 1/3 of the branch thickness to avoid trapping the pole saw.

- Always pull the pole saw with the rotating saw chain out of the branch to prevent it from becoming trapped.



Maintenance & Care

Cleaning

Do not use cleaning agents or solvents. These may cause severe damage to the tool.

- Regularly clean the ventilation slots, motor housing, and handles of the device using a damp cloth or brush.
- Clean the saw chain only with a dry cloth. After cleaning, lightly oil the saw chain with chain oil by applying individual drops to the joints and the teeth of each chain link.
- Frequently clean the guide bar, including its groove and oil outlet openings.
- Use a flat file to remove any burrs that have formed on the guide bar from the saw chain.

Maintenance

Regular maintenance of your equipment extends the lifespan of the equipment. You will also achieve optimum cutting performances and avoid accidents.

For Battery Tools

The ambient temperature range for tool and battery use and storage is 32°F - 113°F (0°C-45°C).

The recommended ambient temperature range for the charging system during charging is 32°F - 104°F (0°C-40°C).

Storage & Transport

- Clean the equipment before putting it away.
- Put on chain bar sheath.
- It is normal for oil to seep from the saw when not in use. To prevent seepage, as well as prevent resin buildup, it is recommended to empty the oil tank after each use. When storing the unit for longer periods (3 months or longer), be sure the chain is lightly lubricated to prevent rust from developing on the chain and bar sprocket.
- Store the device in a dry, frost-free, and dust-protected place, and out of reach of children.
- Store the battery only in a partially charged state. The state of charge

Maintenance & Care

should be 40 – 60 % over a longer storage period.

- During longer storage periods, check the state of charge of the battery and recharge if necessary (every 2 to 3 months).
- In order to keep the battery well charged, avoid exposing the device to extreme heat or cold in storage.
- Store the equipment between 50°F (10°C) and 77°F (25° C). During storage, avoid extreme cold or heat so the battery does not lose power.

Maintenance & Care

Troubleshooting

▲ NOTE: All corrective actions should be carried out by suitably qualified person/s.

Problem	Possible cause	Fault correction
Appliance won't start	Battery discharged	Recharge battery
	Battery not inserted	Insert battery
	Trigger safety lock button not pressed properly	Press trigger safety lock button
	Defective On/Off switch	Send to Service Center for repair
Device runs with interruptions	Internal loose electrical connection	Send to Service Center for repair
	On/Off switch defective	
Telescopic pole cannot be locked	Defective clamping lever for extending / shortening the telescopic pole	Send to Service Center for repair
Inferior cutting performance	Incorrectly mounted saw chain	Mount saw chain correctly
	Saw chain blunt	Place on new chain
	Chain tension insufficient	Check chain tension
Saw runs with difficulty, chain comes off	Chain tension insufficient	Check chain tension
Chain becomes hot, smoke development during sawing, discoloration of the rail	Too little chain oil	Check oil level and, where appropriate, refill with chain oil, check automatic oil system and, where appropriate, clean oil outflow duct or have repaired by customer service

Technical Data

Specification

Rated voltage:	20 V \equiv Max.
Cutting length:	180mm (7 in.)
Chain speed:	5 m/s
Chain and bar:	200 mm (8 in.)
Chain pitch:	9.5mm (0.375 in.)
Chain gauge:	1.27mm (0.050 in.)
Chain drive links:	33
Oil tank capacity:	100 ml
Bar model:	AP08-33-507P
Chain model:	3/8.050X33DL
Battery capacity (BI20-2):	2.0 Ah
Charger input (C20-2):	100-240V~50/60Hz, 55W
Charger output (C20-2):	20V \equiv 2.0A
Charging time:	1Hour
Charger protection class:	□ / II
Machine weight (with battery):	3.7 kg
A weighted sound pressure	$L_{pA} = 77 \text{ dB(A)}, K_{pA} = 3 \text{ dB(A)}$
A weighted sound power	$L_{wA} = 90 \text{ dB(A)}, K_{wA} = 3 \text{ dB(A)}$
Vibration total values (triax vector sum) determined according to EN 62841:	
Vibration emission value	$a_h = 1.651 \text{ m/s}^2$ (Front handle), $a_h = 3.419 \text{ m/s}^2$ (Rear handle), $K = 1,5 \text{ m/s}^2$

Recycling & Disposal

Recycling & Disposal

We do not offer a takeback scheme for the recovery of Waste Electrical Electronic Equipment (WEEE) & Batteries. Instead the responsibility to dispose of WEEE and/or Batteries is passed onto you by us.

So when it becomes necessary to dispose of your machine you must take it to your local Civic Amenity Site. For further information please contact your local Authority for disposal advice.

You **MUST** make sure that all unused oil and fuel is disposed of correctly either beforehand or at your local Civic Amenity Site.

- Under **NO** circumstances must any fuel or oil be put down any drains.
- Certain products contain WEEE waste which should not be disposed of in your domestic waste.
- You **MUST** recycle WEEE in accordance with your local authority or recycling centre.
- Certain products contain batteries which should not be disposed of in your domestic waste.
- You **MUST** recycle batteries in accordance with your local authority or recycling centre.
- Unwanted packaging and materials should be stored and taken to a recycling centre so it can be disposed of in a manner which is compatible with the environment.

We are a Member of the VALPAK National Compliance Scheme and our registration number is RM08660. For further information about disposal please contact your Local Authority.

You can also get more advice and guidance about recycling at the following website <http://www.recycle-more.co.uk>

Should you pass this product on to another user either sold or loaned, you **MUST** pass on this user manual. This will make sure that all other users can use and maintain this machine safely.

Recycling & Disposal

Environmental Protection

1. Environmental protection should be a priority of considerable importance when using the machine, for the benefit of both social coexistence and the environment in which we live. Try not to cause any disturbance to the surrounding area.
2. You must comply with local regulations and provisions for the disposal of packaging, oils, fuel, filters, damaged parts or any elements which have a strong impact on the environment. This waste must not be disposed of as normal waste. It needs to be separated and taken to specified waste disposal centres where the material will be recycled.
3. You must comply with local regulations for the disposal of waste materials after mowing.
4. When disposing, do not pollute the environment with the machine, but hand it over to a disposal centre, in accordance with the local laws in force.

EU Declaration Of Conformity

Importer and Authorised Representative

Genpower Ltd
Isaac Way, Pembroke Dock, SA72 4RW

Country of Origin: China
Description: 20V Pole saw
SKU Code: HY20CPS
Date of Issue: 20/12/2024

Regulations and Directives of Compliance

2006/42/EC, 2014/30/EU, 2014/35/EU, 2011/65/EU & (EU)2015/863,
2000/14/EC amended by 2005/88/EC & (EU)2024/1208, (EU)2023/1542

The notified body involved

Name: **SGS Fimko Ltd**
Address: **Takomotie 8, FI-00380 Helsinki, Finland**
Certification No.: **MD-413**

2000/14/EC amended by 2005/88/EC:
- Conformity Assessment Procedure as per **Annex V**
- Measured Sound Power Level **90 dB(A)**
- Declared Guaranteed Sound Power Level **96 dB(A)**

Statement of Declaration

We the importer and authorised representative of the product described confirm conformity within the provisions of applicable regulations and directives listed within this document.

Standards conform to

EN 62841-1, EN ISO 11680-1, EN ISO 3744, EN IEC 55014-1, EN IEC 55014-2, EN IEC 63000, EN 62133-2, EN 60335-1, EN 60335-2-29, EN 62233, EN IEC 61000-3-2, EN 61000-3-3

Signed on Behalf of Genpower Ltd

Place of Issue: Genpower Ltd

Signatory Name: Roland Llewellyn

Position: Managing Director

R J Llewellyn



Useful Information

Check Out Our YouTube Channel

Our videos on YouTube include:

Unboxing

Assembly of your machine

How to service your machine

Products in use

'How To' videos

Product features

Go to YouTube and search 'Hyundai Power Products'.

Warranty

Proof of purchase will be required before you make a warranty claim. Full warranty terms and conditions can be found on the HYUNDAI POWER PRODUCTS website:

www.hyundaipowerproducts.co.uk

Manual Updates

Our manuals are constantly being reviewed and updated. Should you find an error, omission or something unclear, please contact us for assistance. We reserve the right to make any modifications without prior notice whenever necessary.

Our latest manuals are also placed online. All our manuals can be downloaded at: www.hyundaipowerproducts.co.uk

Returning Your Product

If you are returning your product, please contact the dealer for their returns policy.

Leaving A Review

We work very hard to give all of our customers the best possible service. If you have any problems, before leaving negative feedback, please contact us to give us a chance to resolve the issue. We would be delighted if you left us positive feedback! To leave a review, please go to: uk.trustpilot.com/review/hyundaipowerequipment.co.uk

Ordering Spare Parts

You can find the spare part you are looking for at power-spareparts.co.uk

www.hyundaipowerproducts.co.uk

Product Record

Information

As soon as you have purchased the machine, we recommend that you fill out the following. If you need to contact an authorised dealer or customer service for information on servicing, you may need to provide the following information.

Date Of Purchase:.....

Dealer Name:.....

Dealer Phone:.....

Model Number:.....

Serial / Batch Number:.....

Contact Us

Need Help? Talk To Our Experts

Our friendly aftersales team will be more than happy to help you.



Phone

Call our team on 01 646 687 880



Email

aftersales@genpower.co.uk



Online Live Chat

Go to www.hyundaipowerproducts.co.uk



Post

Genpower Ltd, Isaac Way, Pembroke Dock, Pembrokeshire, SA72 4RW.



Hyundai Support Website

Go to hyundaisupport.co.uk

HYUNDAI
POWER PRODUCTS



For Inquiries, Please Contact:
GENPOWER LTD
Isaac Way, London Road,
Pembroke Dock, UK, SA72 4RW.
T: +44 (0) 1646 687 880
E: info@hyundaipowerproducts.co.uk
www.hyundaipowerproducts.co.uk

Imported / Distributed by Genpower Ltd
for the United Kingdom & Ireland

Licensed by Hyundai Corporation
Holdings, Korea

