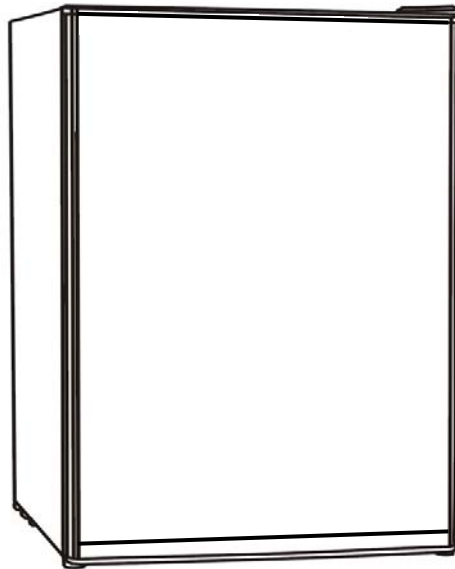




REFRIGERATOR

Model FF32L



INSTRUCTION MANUAL

**BEFORE USE, PLEASE READ AND FOLLOW ALL SAFETY RULES
AND OPERATING INSTRUCTIONS. KEEP THIS MANUAL IN A SECURE LOCATION.**

Write Serial Number (on back of unit) here:

**Felix Storch, Inc
Summit Appliance Division
770 Garrison Avenue
Bronx, New York 10474
www.summitappliance.com**

Table of Contents

Important Safeguards	2 - 3
Location of Parts	4
Installation Instructions	4 - 6
<i>Before Using Your Refrigerator</i>	4
<i>Installation of Your Refrigerator</i>	5
<i>Electrical Connection</i>	5 - 6
Operating Your Refrigerator	6 - 7
<i>Setting the Temperature Control</i>	6
<i>Defrosting Your Refrigerator</i>	6
<i>Normal Phenomena</i>	7
Care and Maintenance	7 - 9
<i>Cleaning Your Refrigerator</i>	7
<i>Vacation Time</i>	7
<i>Moving Your Refrigerator</i>	7
<i>Energy-Saving Tips</i>	8
<i>Reversing the Door Swing of Your Refrigerator</i>	8
<i>Locking the Refrigerator</i>	8
<i>Changing the Light Bulb</i>	9
Wiring Diagram	9
Technical Information	9
Problems with Your Refrigerator?	10
Limited Warranty	11



IMPORTANT SAFEGUARDS



Before the refrigerator is used, it must be properly positioned and installed as described in this manual, so read the manual carefully. To reduce the risk of fire, electrical shock or injury when using the refrigerator, follow basic precautions, including the following:

DANGER

- Plug into a grounded 3-prong outlet, do not remove grounding prong, do not use an adapter, and do not use an extension cord.
- It is recommended that a separate circuit, serving only your refrigerator be provided. Use receptacles that cannot be turned off by a switch or pull chain.
- Never clean refrigerator parts with flammable fluids. These fumes can create a fire hazard or explosion. And do not store or use gasoline or other flammable vapors and liquids inside or in the vicinity of this or any other appliance. The fumes can create a fire hazard or explosion.
- Do not use inflammable sprays in the vicinity of the refrigerator.
- Before proceeding with cleaning and maintenance operations, make sure the power line of the unit is disconnected.
- Do not connect or disconnect the electric plug when your hands are wet.
- Unplug the refrigerator or disconnect power before cleaning or servicing. Failure to do so can result in electrical shock or death.
- Do not attempt to repair or replace any part of your refrigerator unless it is specifically recommended in this manual. All other servicing should be referred to a qualified technician.
- ***Risk of child entrapment!***
Child entrapment and suffocation are not problems of the past. Junked or abandoned refrigerators are still dangerous, even if they will "just sit in the garage a few days."
 - ✓ **Before you throw away your old refrigerator:** Take off the doors. Leave the shelves in place so that children may not easily climb inside.
 - ✓ Never allow children to operate, play with, or crawl inside the refrigerator.

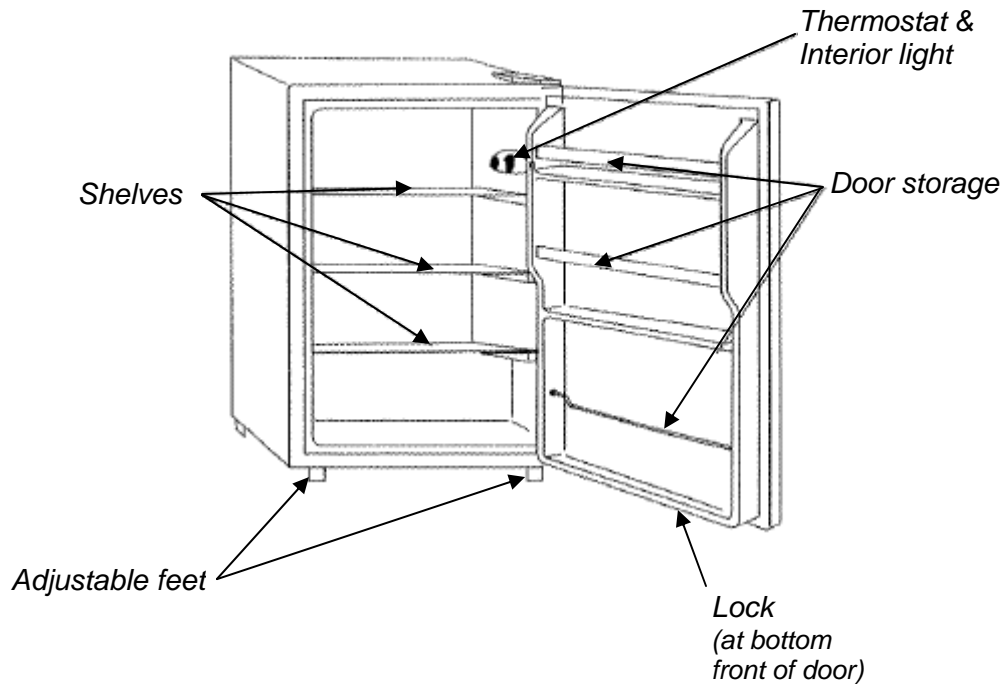
WARNING

- **This unit is not designed to operate in enclosed spaces. When placing your unit, make sure you allow at least 4" of clearance on all sides.**
- Use two or more people to move and install refrigerator. Failure to do so can result in back or other injury.
- To ensure proper ventilation for your refrigerator, the front of the unit must be completely unobstructed. Choose a well-ventilated area with temperatures above 60°F (16°C) and below

- The refrigerator should not be located next to ovens, grills or other sources of high heat.
- The refrigerator must be installed with all electrical, water and drain connections in accordance with state and local codes. A standard electrical supply (115 V AC only, 60 Hz), properly grounded in accordance with the National Electrical Code and local codes and ordinances is required.
- Do not kink or pinch the power supply cord of the refrigerator.
- The fuse (or circuit breaker) size should be 15 amperes.
- It is important for the refrigerator to be leveled in order to work properly. You may need to make several adjustments to level it.
- Check for leaks after connection.
- Never allow children to operate, play with or crawl inside the refrigerator.
- This appliance is not intended for use by persons (including children) with reduced physical, sensory or mental capabilities, or lack of experience and knowledge, unless they have been given supervision or instruction concerning use of the appliance by a person responsible for their safety.
- **IMPORTANT:** Do not use mechanical devices or other means to accelerate the defrosting process, other than those recommended by the manufacturer.
- **IMPORTANT:** Do not damage the refrigerant circuit.
- **IMPORTANT:** Do not use electrical appliances inside the food storage compartment of the appliance, unless they are of the type recommended by the manufacturer.
- Do not use solvent-based cleaning agents or abrasives on the interior. These cleaners may damage or discolor the interior.
- Do not use this apparatus for other than its intended purpose.

SAVE THESE INSTRUCTIONS

Location of Parts



Your refrigerator should be supplied with the following:

- 3 wire shelves (2 full-size and 1 half-size)
- 2 keys
- Instruction Manual

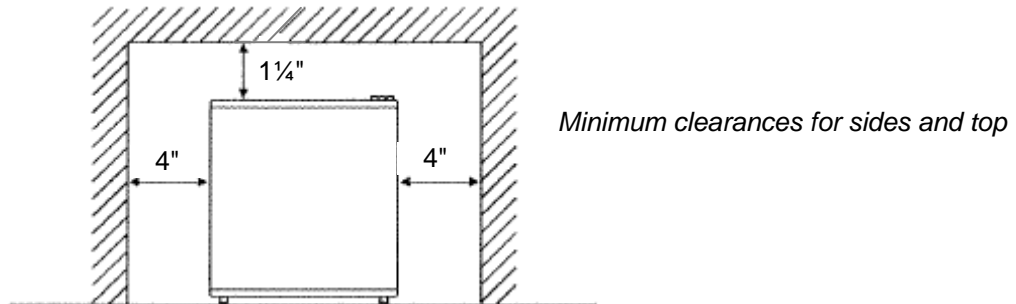
Installation Instructions

Before Using Your Refrigerator

- Remove the exterior and interior packing.
- Check to be sure refrigerator shelves are installed and that the strips of tape holding them in place have been removed.
- Before connecting the refrigerator to the power source, let it stand upright for at least ½ hour. This will reduce the possibility of a malfunction in the cooling system from handling during transportation.
- Clean the interior surface with lukewarm water using a soft cloth. Any plastic odor that you notice when you first open the door will dissipate once the appliance is operating.

Installation of Your Refrigerator

- This appliance is designed to be free-standing only, and should not be recessed or built-in.
- Place your refrigerator on a floor that is strong enough to support the refrigerator when it is fully loaded. Be sure the refrigerator is level. (Level your refrigerator by adjusting the legs at the front.)
- Allow at least 4 inches of space at the back and sides of the refrigerator, which allows the proper air circulation to cool the compressor. This improves cooling efficiency and saves energy.



- Do not cover the top of the refrigerator with a mat or cloth. This will help maintain the operating efficiency of the appliance.
- Locate the refrigerator away from direct sunlight and sources of heat (stove, heater, radiator, etc.). Direct sunlight may affect the acrylic coating and heat sources may increase electrical consumption. Extremely cold ambient temperatures may also cause the refrigerator to perform improperly.
- Avoid locating the refrigerator in moist areas.
- After plugging the appliance into a wall outlet, allow the unit to cool down for 2-3 hours before placing food into the refrigerator.

When installing the unit on a table or countertop, keep the following in mind:

- Surface (countertop) is flat, level, and strong enough to support the unit once it is fully loaded.
- Surface is wide enough to accommodate the unit without any overhang.
- Surface is deep enough to accommodate the unit when the door is opened to 90°.

Electrical Connection

⚡ Warning ⚡

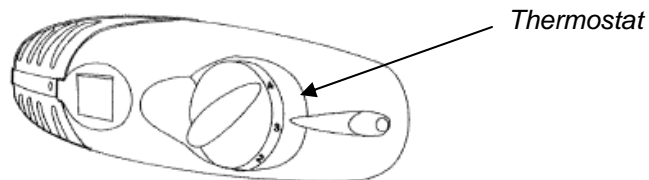
Improper use of the grounded plug can result in the risk of electrical shock. If the power cord is damaged, have it replaced by an authorized service center.

- Plug the refrigerator into an exclusive, properly installed, grounded wall outlet. Do not under any circumstances cut or remove the third (ground) prong from the power cord. Any questions concerning power and/or grounding should be directed toward a certified electrician or an authorized service center.
- This refrigerator should be properly grounded for your safety. The power cord of this refrigerator is equipped with a three-prong plug that mates with standard three-prong wall outlets to minimize the possibility of electrical shock.

- This refrigerator requires a standard 115/120-volt, 60Hz electrical outlet with three-prong ground.
- The cord should be secured behind the refrigerator and not left exposed or dangling to prevent accidental injury.
- Never unplug the refrigerator by pulling the power cord. Always grip the plug firmly and pull straight out from the receptacle.
- The use of an extension cord is strongly discouraged.

Operating Your Refrigerator

Setting the Temperature Control



- Your unit has only one control for regulating the temperature in the cooling compartment. The temperature control, or thermostat, is located on the upper right hand side of the compartment. It has settings from **0** (Off) to **7** (coldest).
- The first time you turn the unit on, adjust the temperature control to its highest setting, **7**.
- After 24 to 48 hours, adjust the temperature control to the setting that best suits your needs. The midpoint setting (**3** to **4**) should be appropriate for home or office use, but keep in mind that the cooling compartment temperature is affected by ambient temperature, as well as the frequency of door opening, the amount and initial temperature of stored food, and the refrigerator's location. Adjust the thermostat accordingly.
- To turn the appliance off, turn the temperature control to **0**.

NOTES:

- Turning the temperature control to a setting of **0** stops the cooling cycle but does not shut off the power to the unit. For example, the interior light still comes on when you open the door.
- If the unit is unplugged, has lost power, or is turned off, you must wait 3 to 5 minutes before restarting the unit. If you attempt to restart before this time delay, the unit will not start.

Defrosting Your Refrigerator

This appliance requires no manual defrosting. During the operation of the compressor, ice will build up along the cold rear wall (the evaporator plate is behind the wall). During the compressor's off-cycle, the ice will melt, drip down, and collect in a tray above the compressor, where the compressor's heat evaporates the water. If you notice excessive ice build-up on the rear wall, try setting the temperature slightly higher (i.e., a lower setting of the thermostat). Also, be sure that the door gasket is sealing well.

Normal Phenomena

- It is normal that both side panels and the top of the refrigerator be warm because of the built-in condenser.
- There may be condensation on the surface of the appliance when it is placed in an area of high humidity or when the weather is hot. It resembles the moisture that condenses on a glass of cold liquid during summer. Dry it with a clean, soft cloth.
- Occasionally the sound of a gurgling liquid can be heard. This is the refrigerant flowing through the condensing tubes. The sound can also be heard when the refrigerator stops working.

Care and Maintenance

Cleaning Your Refrigerator

- Turn the temperature control to **0 (Off)**, unplug the refrigerator, and remove the food, shelves, and any trays.
- Wash the inside surfaces with a solution of a warm water and baking soda. The solution should consist of about 2 tablespoons of baking soda to a quart of water. If you use a spray bottle, do not spray in the area of the temperature control, vents or any electrical connections.
- Clean the door gasket with a soft cloth dampened in warm water or mild detergent solution.
- Wash the shelves and trays with a mild detergent solution.
- The outside of the refrigerator should be cleaned with mild detergent and warm water. Rinse well and wipe dry with a clean, soft cloth.
- Wring excess water out of the sponge or cloth when cleaning the area of the controls, or any electrical parts.
- Dust on the compressor and condensing coils (at the back of the appliance) will affect the diffusion of heat. Clean them periodically with a soft brush or dusting utensil.

Vacation Time

- **Short vacations:** Leave the refrigerator operating during vacations of less than three weeks.
- **Long vacations:** If the appliance will not be used for several months, remove all food and unplug the power cord. Clean and dry the interior thoroughly. To prevent odor and mold growth, leave the door open slightly, blocking it open if necessary.

Moving Your Refrigerator

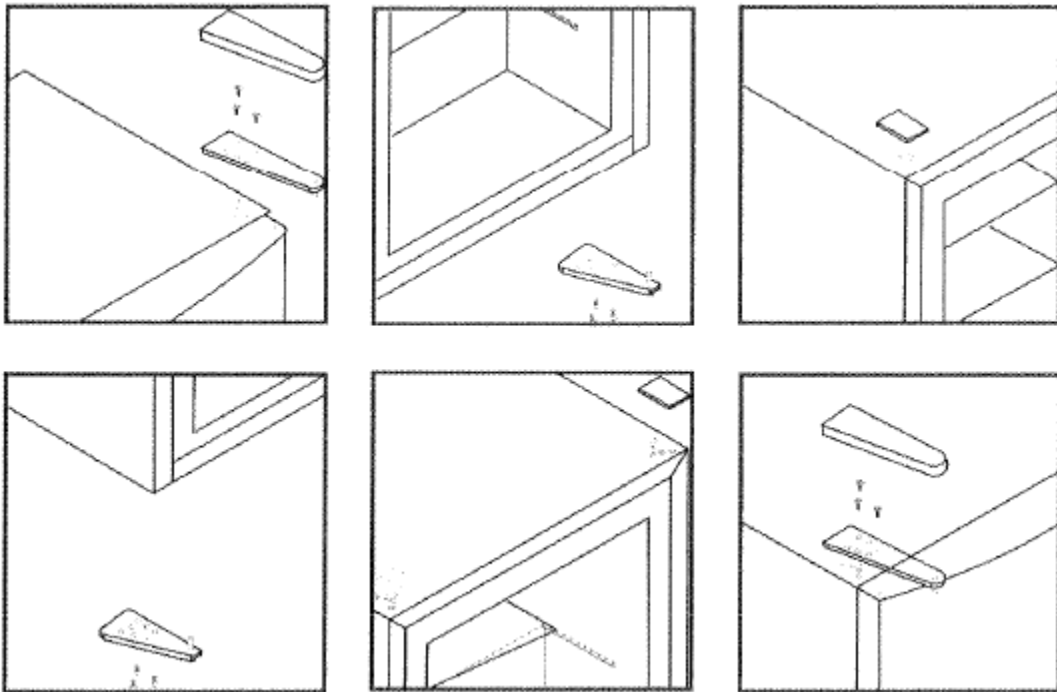
1. Remove all the food.
2. Securely tape down all loose items inside your refrigerator.
3. Tape the door shut.
4. Be sure the refrigerator stays secure in the upright position during transportation. Also protect the outside of the refrigerator with a blanket or similar item.

Energy-Saving Tips

- The refrigerator should be located in the coolest area of the room, away from heat-producing appliances and out of direct sunlight.
- Let hot foods cool to room temperature before placing in the refrigerator. Overloading the refrigerator forces the compressor to run longer.
- Be sure to wrap foods properly, and wipe containers dry before placing them in the refrigerator. This cuts down on frost build-up inside the refrigerator.
- To allow proper air circulation, keep a space between stored foodstuffs. To inhibit drying and to cut down on odors, be sure food is packed well.
- Refrigerator shelves should not be lined with aluminum foil, wax paper, or paper toweling. Liners interfere with cold air circulation, making the refrigerator less efficient.
- Organize and label food to reduce door openings and extended searches. Remove as many items as needed at one time, and close the door as soon as possible.

Reversing the Door Swing of Your Refrigerator

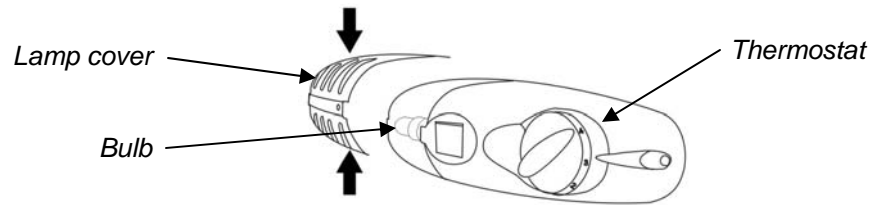
This appliance has the capability of the door opening from either the left or the right side. The unit is delivered to you with the door opening from the left side. Should you desire to reverse the opening direction, you can refer to the diagram below. If you have a problem, call SUMMIT Customer Service at **1-800-932-4267**.



Locking the Refrigerator

Your refrigerator comes with two keys and a lock at the bottom center of the door. Turn the key a quarter-turn to the left to lock the door, and a quarter-turn to the right to unlock it. Keep keys in a secure place.

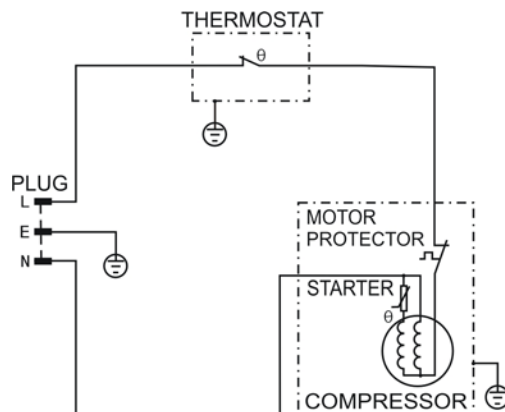
Changing the Light Bulb



1. Disconnect the refrigerator from the power source.
2. Pull the lamp cover forward to reach the bulb.
3. Unscrew the bulb from the holder in the counter-clockwise direction.
4. Replace the bulb with another of the same type and size (10W, E14 base).
5. Replace the cover and reconnect power to the unit.

NOTE: Light bulbs are not covered by the warranty.

Wiring Diagram



Technical Information

Model Number:	FF32L
Capacity:	2.83 cubic feet
Electrical Rating:	110V AC / 60Hz
Input Power:	87 watts
Energy Consumption:	325 kWh/year
Refrigerant:	R134a, 1.4 oz
Net Weight:	59.45 lbs
Unit Dimensions:	27"H x 19"W x 20"D

Problems with Your Refrigerator?

You can solve many common refrigerator problems easily, saving you the cost of a possible service call. Try the suggestions below to see if you can solve the problem before calling a service technician.

TROUBLESHOOTING GUIDE

Problem	Possible Cause
Refrigerator does not operate.	Not plugged in. The circuit breaker has tripped or fuse has blown. The thermostat is turned off.
Turns on and off frequently.	The room temperature is warmer than normal. A large amount of food has been added to the refrigerator. The door is opened too often. The door is not closed completely. The temperature control is not set correctly. The door gasket does not seal properly. The refrigerator does not have the correct clearances.
Vibrations	Check to be sure that the refrigerator is level.
The refrigerator seems to make too much noise.	The rattling noise may come from the flow of the refrigerant, which is normal. As each cycle ends, you may hear gurgling sounds caused by the flow of refrigerant in your refrigerator. Contraction and expansion of the inside walls may cause popping and crackling noises. The refrigerator is not level.
The door will not close properly.	The refrigerator is not level. The door was reversed and not properly installed. The gasket is dirty. The shelves are out of position.

If your refrigerator shows other symptoms than those described above, or if you have checked all items listed as the cause and the problem still exists, then call SUMMIT® Customer Service at

1-800-932-4267

Limited Warranty

ONE YEAR LIMITED WARRANTY

Within the 48 contiguous United States, for one year from the date of purchase, when this appliance is operated and maintained according to instructions attached to or furnished with the product, warrantor will pay for factory-specified parts and repair labor to correct defects in materials or workmanship. Service must be provided by a designated service company. Outside the 48 states, all parts are warranted for one year from manufacturing defects. Plastic parts, shelves and cabinets are warranted to be manufactured to commercially acceptable standards, and are not covered from damage during handling or breakage.

5 YEAR COMPRESSOR WARRANTY

1. The compressor is covered for 5 years.
2. Replacement does not include labor.

ITEMS WARRANTOR WILL NOT PAY FOR:

1. Service calls to correct the installation of your appliance, to instruct you how to use your appliance, to replace or repair fuses or to correct wiring or plumbing.
2. Service calls to repair or replace appliance light bulbs or broken shelves. Consumable parts (such as filters) are excluded from warranty coverage.
3. Damage resulting from accident, alteration, misuse, abuse, fire, flood, acts of God, improper installation, installation not in accordance with electrical or plumbing codes, or use of products not approved by warrantor.
4. Replacement parts or repair labor costs for units operated outside the United States.
5. Repairs to parts or systems resulting from unauthorized modifications made to the appliance.
6. Expenses for travel and transportation for product service in remote locations.
7. The removal and reinstallation of your appliance if it is installed in an inaccessible location or is not installed in accordance with published installation instructions.

DISCLAIMER OF IMPLIED WARRANTIES – LIMITATION OF REMEDIES

CUSTOMER'S SOLE AND EXCLUSIVE REMEDY UNDER THIS LIMITED WARRANTY SHALL BE PRODUCT REPAIR AS PROVIDED HEREIN. IMPLIED WARRANTIES, INCLUDING WARRANTIES OF MERCHANTABILITY OR FITNESS FOR A PARTICULAR PURPOSE, ARE LIMITED TO ONE YEAR. WARRANTOR SHALL NOT BE LIABLE FOR INCIDENTAL OR CONSEQUENTIAL DAMAGES. SOME STATES DO NOT ALLOW THE EXCLUSION OR LIMITATION OF INCIDENTAL OR CONSEQUENTIAL DAMAGES, OR LIMITATIONS ON THE DURATION OF IMPLIED WARRANTIES OF MERCHANTABILITY OR FITNESS, SO THESE EXCLUSIONS OR LIMITATIONS MAY NOT APPLY TO YOU. THIS WARRANTY GIVES YOU SPECIFIC LEGAL RIGHTS AND YOU MAY ALSO HAVE OTHER RIGHTS, WHICH VARY FROM STATE TO STATE.

WARNING! This product may contain chemicals known to the state of California to cause cancer or birth defects or other reproductive harm. For more information, visit: www.summitappliance.com/prop65

Chemicals known by the manufacturer to be present in this product in concentrations higher than threshold limits: NONE.

FELIX STORCH, INC.
770 Garrison Avenue
Bronx, NY 10474
Phone: (718) 893-3900
Fax: (718) 842-3093
www.summitappliance.com

SUMMIT

For parts and accessory ordering,
troubleshooting and helpful hints, visit:
www.summitappliance.com/support