

Free 3 months extension of the original limited warranty period!* Simply text a picture of your proof of purchase to:

1-844-224-1614

*The warranty extension is for the three months immediately following the completion of the product's original warranty period. Individuals do not need to register the product in order to get all the rights and remedies of registered owners under the original limited warranty.

AIR FRYER OVEN

USER MANUAL

MET26C3AST/CA

Warning notices: Before using this product, please read this manual carefully and keep it for future reference. The design and specifications are subject to change without prior notice for product improvement. Consult with your dealer or manufacturer for details. The diagram above is just for reference. Please take the appearance of the actual product as the standard.

THANK YOU LETTER

Thank you for choosing Midea! Before using your new Midea product, please read this manual thoroughly to ensure that you know how to operate the features and functions that your new appliance offers in a safe way.

CONTENTS

THANK YOU LETTER	EN-01
SAFETY INSTRUCTIONS	EN-02
SPECIFICATION	EN-05
PRODUCT OVERVIEW	EN-06
OPERATION INSTRUCTIONS	EN-07
CLEANING AND CARE	EN-11
TROUBLESHOOTING & FAQ	EN-12
TRADEMARKS, COPYRIGHTS AND LEGAL STATEMENT	EN-13
DATA PROTECTION NOTICE	EN-14
1 YEAR LIMITED WARRANTY	EN-15

SAFETY INSTRUCTIONS

Intended Use

The following safety guidelines are intended to prevent unforeseen risks or damage from unsafe or incorrect operation of the appliance. Please check the packaging and appliance on arrival to make sure everything is intact to ensure safe operation. If you find any damage, please contact the retailer or dealer. Please note modifications or alterations to the appliance are not allowed for your safety concern. Unintended use may cause hazards and loss of warranty claims.

Explanation of Symbols



Danger

This symbol indicates that there are dangers to the life and health of persons due to extremely flammable gas.



Warning of electrical voltage

This symbol indicates that there is a danger to life and health of persons due to voltage.



Warning

The signal word indicates a hazard with a medium level of risk which, if not avoided, may result in death or serious injury.



Caution

The signal word indicates a hazard with a low degree of risk which, if not avoided, may result in minor or moderate injury.



Attention

The signal word indicates important information (e.g. damage to property), but not danger.



Observe instructions

This symbol indicates that a service technician should only operate and maintain this appliance in accordance with the operating instructions.

Read these operating instructions carefully and attentively before using/commissioning the unit and keep them in the immediate vicinity of the installation site or unit for later use!

IMPORTANT SAFETY INSTRUCTIONS

When using electrical appliances, basic safety precautions should always be followed including the following :

1. Read all instructions.
2. Do not touch hot surfaces. Use handles or knobs.
3. To protect against electrical shock do not immerse cord, plugs, or any electrical parts in water or other liquid.
4. Close supervision is necessary when any appliance is used by or near children.
5. Unplug from outlet when not in use and before cleaning. Allow to cool before putting on or taking off parts.
6. Do not operate any appliance with a damaged cord or plug or after the appliance malfunctions or has been damaged in any manner. Return appliance to the nearest authorized service facility for examination, repair, or adjustment.
7. The use of accessory attachments not recommended by the appliance manufacturer may cause injuries.
8. Do not use outdoors.
9. Do not let cord hang over edge of table or counter, or touch hot surfaces.
10. Do not place on or near a hot gas or electric burner, or in a heated oven.
11. Extreme caution must be used when moving an appliance containing hot oil or other hot liquids.
12. To disconnect, turn any control to " off ", then remove plug from wall outlet.
13. Do not use appliance for other than intended use.
14. Use extreme caution when removing tray or disposing of hot grease.
15. Do not clean with metal scouring pads. Pieces can break off the pad and touch electrical parts, creating parts, creating a risk of electric shock.
16. Oversize foods or metal utensils must not be inserted in a air fryer oven as they may create a fire or risk of electric shock.
17. A fire may occur if the air fryer oven is covered or touching flammable material, including curtains, draperies, walls, and the like, when in operation. Do not store any item on top of the appliance when in operation.
18. Extreme caution should be exercised when using containers constructed of other than metal or glass.
19. Do not store any materials, other than manufacturers recommended accessories, in this oven when not in use.
20. Do not place any of the following materials in the oven: (that is, paper, cardboard, plastic, and the like).

21. Do not cover crumb tray or any part of the oven with metal foil. This will cause overheating of the oven.
22. Caution-To ensure continued protection against risk of electric shock, connect to properly grounded outlets only.
23. Remove plug from outlet when the appliance is not in use, before putting on or taking off parts, and before cleaning. Allow to cool before handling.
24. Avoid contacting moving parts.
25. For household use only.
26. During operation, press " START/STOP " can pause cooking.

SAVE THESE INSTRUCTIONS



THE SURFACES ARE LIABLE TO GET HOT DURING USE.

SHORT CORD INSTRUCTION (DETACHABLE POWER-SUPPLY CORD)

1. A short power-supply cord (or detachable power-supply cord) should be used to reduce the risk resulting from becoming entangled in or tripping over a longer cord.
2. Longer detachable power-supply cords or extension cords are available and may be used if care is exercised in their use.
3. If a longer detachable power-supply cord or extension cord is used:
 - The marked electrical rating of the cord set or extension cord should be at least as great as the electrical rating of the appliance.
 - The cord should be arranged so that it will not drape over the countertop or tabletop where it can be pulled on by children or tripped over unintentionally.
 - The appliance is grounded type, the extension cord should be a grounding-type 3-wire cord.

SPECIFICATION

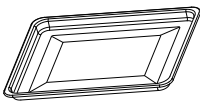
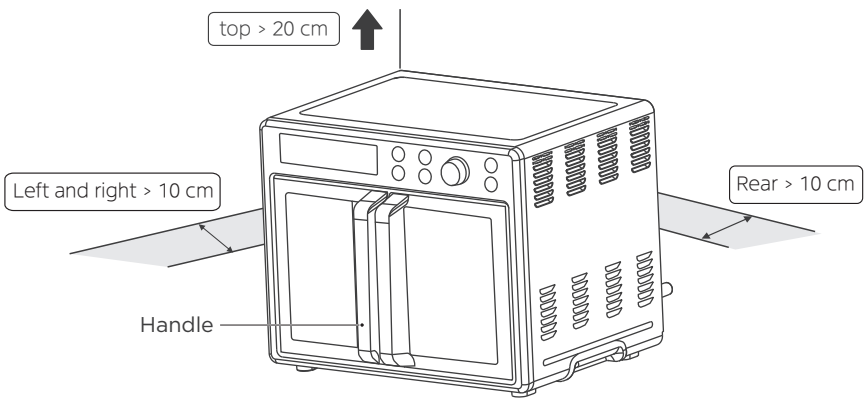
MODEL	MET26C3AST/CA
POWER SUPPLY	120VAC 60Hz
POWER CONSUMPTION	1750 W



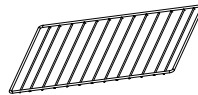
PRODUCT OVERVIEW

⚠ Notes

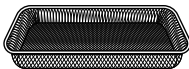
- In case of any differences between the appliance and the pictures in this manual, the product shall prevail.
- Place the appliance on an insulated surface when used.
- The area where this oven is used should be dry. The oven should not be used outdoors.
- Keep the oven at 10-15cm distance from walls and cabinets. Surrounding objects may catch fire due to heat emitted from the appliance or get covered with soot.
- Maintain a 20 cm empty space between the top of the oven and any objects or walls above.



Baking tray



Baking rack



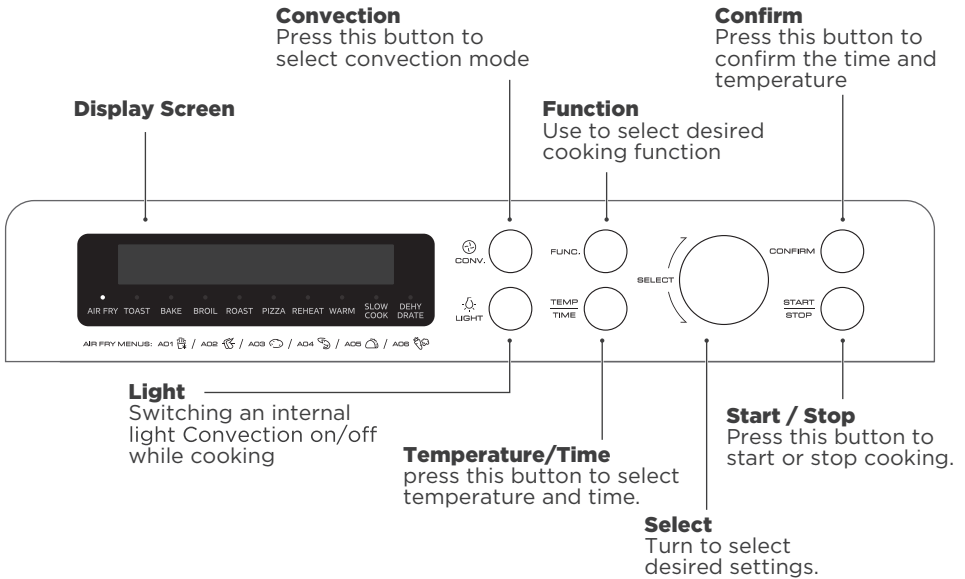
Air fry basket



Crumb tray

OPERATION INSTRUCTIONS

Control Panel Settings



Before Using For The First Time

1. Remove all accessories and shipping materials packed inside the oven.
2. Wash the oven fittings with a dab of washing-up liquid and warm water. Wipe the unit and the oven fittings dry before using with paper towels or a dry cloth.
3. Place the oven on a flat counter or other stable surface. DO NOT OPERATE ON THE SAME CIRCUIT WITH ANOTHER APPLIANCE.
4. Before working, place the crumb tray under the bottom heating element.
5. Make sure the crumb tray is properly fitted before using the oven.
6. Burn off any oils remaining in the oven before using the oven for cooking. To do so, press the function button to select bake, press the " $\frac{\text{TEMP}}{\text{TIME}}$ " button and rotate knob to adjust temperature 450°F. After that, press " $\frac{\text{TEMP}}{\text{TIME}}$ " button and rotate knob to adjust time 15 minutes. This will burn off any oil still on the oven.
(NOTE: The oven may smoke inside during the process. This is normal for a new oven and will not last more than 10-15 minutes).

OPERATION INSTRUCTIONS

Settings

COOKING FUNCTION	DEFAULT TEMP.	TEMP. RANGE	DEFAULT TIME	TIME RANGE	CONVECTION
AIR FRY	/	200°F-400°F	/	1min-30min	Open
DEHYDRATE	150°F	100°F-200°F	4h	1min-24h	Open
SLOW COOK	200°F	100°F-230°F	1h	1min-8h	Open
WARM	180°F	100°F-300°F	1h	1min-4h	Close
REHEAT	350°F	150°F-450°F	3min	1min-20min	Default: Close (Optional)
PIZZA(6 INCHES)	370°F	150°F-450°F	7min30s	1min-30min	Default: Open (Optional)
PIZZA(9 INCHES)	370°F		8min30s		
PIZZA(12 INCHES)	330°F		16min		
ROAST	350°F	150°F-450°F	10min	1min-2h	Default: Close (Optional)
BROIL	350°F	150°F-450°F	10min	1min-2h	Default: Close (Optional)
BAKE	350°F	150°F-450°F	25min	1min-2h	Default: Close (Optional)
TOAST	/	/	/	/	Close

Function operation

Notes

1. When the oven is plugged into an outlet, the buzzer will sound once.
2. During cooking, you can press " $\frac{\text{START}}{\text{STOP}}$ " to stop cooking.
3. In the end of cooking, the buzzer will sound 3 times and "COMPLETE and 00:00" will display
4. Always remove food with oven mitts. The food and oven will turn very hot.

Eco mode

When the oven is plugged into an outlet and in standby mode, the default mode will not enter ECO mode.

To enter ECO mode:

In standby state, the screen will turn off if there is no operation within 5 minutes.

To cancel ECO mode:

In ECO mode, you can press any button to cancel it.

Using the air fry function

1. Press the " **FUNC.** " button to select the air fry function.
2. Press the " **CONFIRM** " button, A01 flashes.
3. Rotate the " **SELECT** " knob to select A01-A06 (when you use the "A01", please put the chips into the air fry basket , and use the default time and default temperature).
4. Press the " $\frac{\text{TEMP}}{\text{TIME}}$ " button and then rotate " **SELECT** " knob to select cooking temperature.
5. Press the " $\frac{\text{TEMP}}{\text{TIME}}$ " button and then rotate " **SELECT** " knob to select cooking time.
6. Put the food into the oven and press " $\frac{\text{START}}{\text{STOP}}$ " to start cooking.

Display	AIR FRY Menu
A01	Fries 
A02	Chicken Wings 
A03	Potato 
A04	Shrimp 
A05	Tacos 
A06	Vegetables 

Using the dehydrate, slow cook, warm, reheat, roast, broil and bake Function

1. Press the " **FUNC.** " button to select the desired function.
2. Press the " $\frac{\text{TEMP}}{\text{TIME}}$ " button and then rotate " **SELECT** " knob to select cooking temperature.
3. Press the " $\frac{\text{TEMP}}{\text{TIME}}$ " button and then rotate " **SELECT** " knob to select cooking time.
4. Press " $\frac{\text{START}}{\text{STOP}}$ " to start cooking.

Using the pizza function

1. Press the " **FUNC.** " button to select the pizza function. The screen displays " 9 INCH ".
2. Press the " **CONFIRM** " button, rotate the " **SELECT** " knob to select the 6, 9 or 12 inches.
3. Press the " $\frac{\text{START}}{\text{STOP}}$ " button to start preheating, when preheat temperature reached, the buzzer will sound 5 times.
4. Put the food into the oven and close the door, press the " $\frac{\text{START}}{\text{STOP}}$ " to start cooking.

Using the toast function

1. Press the " **FUNC.** " button to select the toast function.
2. Press the " **CONFIRM** " button, rotate the " **SELECT** " knob to select the 1-6 slice (default is 4 slice).
3. Press the " $\frac{\text{TEMP}}{\text{TIME}}$ " button and then rotate " **SELECT** " knob to select the darkness level.
4. Put the food into the oven and close the door, press the " $\frac{\text{START}}{\text{STOP}}$ " to start cooking.

Using the Convection Fan

Select the Convection button at function mode to circulate the heat throughout the oven cavity for even baking.

COOKING GUIDELINES

- Place the baking rack and baking tray in position that will accommodate the height of the food to be cooked.
- The food should be put onto a baking tray to avoid catching fire by an accumulation of food leftovers on the heating pipes.
- Make sure that you always use an ovenproof container in the oven, never use plastic or cardboard containers in the oven.
- Clean the heating pipes periodically.
- Never use glass or ceramic pans or lids.
- NEVER let oil or other liquids from the food to drip down to the bottom of the oven.
- Set the temperature as suggested by the recipe or as desired.
- Securely shut the door and set the cooking time to begin cooking.

CLEANING AND CARE

With proper care and cleaning, your appliance will retain its appearance and remain fully functional for a long time. We will explain here how you should correctly care for and clean your appliance. Do not use glass cleaners or metal/glass scrapers for cleaning.

- Before cleaning, unplug the oven and allow it to cool completely.
- Wash all the accessories with mild, soaped water including the baking rack and the baking tray.
- Do not use abrasive cleansers, scrubbing brushes and chemical cleaner as these will cause damage to the non-stick coating of baking tray.
- Using a wet cloth to wipe the inner of the oven.
- To clean the door by using a wet cloth saturated with detergent or soap.
- Never immerse the oven in water or other liquid. Do not clean the appliance in a dishwasher
- Any other servicing should be performed by an authorized service representative.

TROUBLESHOOTING & FAQ

FAQ

Why won't the oven turn on?

- Make sure the power cord is securely plugged into the outlet.
- Insert the power cord into a different outlet.
- Reset the circuit breaker if necessary.
- Press the power button.

Why is my food undercooked or overcooked?

- Do not add food oven recommended preheat time is complete. For best results, check progress throughout cooking, and remove food if desired level of brownness has been achieved. Remove food immediately after the cook time is complete to avoid overcooking.
- This oven cooks faster than a traditional oven. Always keep an eye on your food while cooking.

Why do the heating elements appear to be turning on and off?

- This is normal. The oven is designed to control temperature precisely for every function by adjusting the heating elements' power levels.

Why is steam coming out from the oven door?

- This is normal. The door is vented to release steam created by foods with a high moisture content.

Why is water dripping onto the counter from under the door?

- This is normal. The condensation created by foods with a high moisture content (such as frozen breads) may run down the inside of the door and drip onto the counter.


Why is there noise coming from the control panel or back of oven?

- When the oven is hot, a fan turns on to cool down the control panel.

Why does the oven sound like it is still running even though the power is off?

- The cooling fan may continue to run even after the oven has been turned off. This is a normal function and should not be a source of concern.

TRADEMARKS, COPYRIGHTS AND LEGAL STATEMENT

 Midea logo, word marks, trade name, trade dress and all versions thereof are valuable assets of Midea Group and/or its affiliates (“Midea”), to which Midea owns trademarks, copyrights and other intellectual property rights, and all goodwill derived from using any part of an Midea trademark. Use of Midea trademark for commercial purposes without the prior written consent of Midea may constitute trademark infringement or unfair competition in violation of relevant laws.

This manual is created by Midea and Midea reserves all copyrights thereof. No entity or individual may use, duplicate, modify, distribute in whole or in part this manual, or bundle or sell with other products without the prior written consent of Midea.

All the described functions and instructions were up to date at the time of printing this manual. However, the actual product may vary due to improved functions and designs.

DATA PROTECTION NOTICE

For the provision of the services agreed with the customer, we agree to comply without restriction with all stipulations of applicable data protection law, in line with agreed countries within which services to the customer will be delivered.

Generally, our data processing is to fulfil our obligation under contract with you and for product safety reasons, to safeguard your rights in connection with warranty and product registration questions. In some cases, but only if appropriate data protection is ensured, personal data might be transferred to recipients located outside of the European Economic Area.

Further information are provided on request. You can contact our Data Protection Officer via **MideaDPO@midea.com**. To exercise your rights such as right to object your personal data being processed for direct marketing purposes, please contact us via **MideaDPO@midea.com**. To find further information, please follow the QR Code.

1 YEAR LIMITED WARRANTY

This warranty is provided to the delivery at retail (the “Purchaser” or “you”) by Midea America (Canada) Corp. (“Midea” or “we”), which warrants all parts of this Product, as described below. Midea warrants this Product to the Purchaser for personal, family or household use. This warranty covers performance and quality issues in materials and workmanship that appear under normal use and maintenance appearing within one year from the date of purchase. This warranty gives you specific rights, and you may also have other rights that vary from state to state. The date of delivery establishes the warranty period, should service be required.

WARRANTY LIMITATIONS

This warranty is given only to the delivery at retail in either the United States or Canada and may not be transferred to any subsequent buyer. This warranty does not apply to purchasers of our products for use or resale in a business; a separate commercial warranty may protect those purchasers.

This warranty does not cover any Product failure caused by:

- a. Abuse, damage or use of the Product in violation of the Product instructions.
- b. Modification to any Product or part.
- c. Failure to maintain the Product or part as described in accordance with the Product instructions.
- d. Faulty installation or application.
- e. Use of parts or accessories not compatible with this Product.
- f. Floods, fires, winds, lightning, accidents, corrosive atmosphere, or other conditions beyond Midea’s control.
- g. Interruption in electrical service or inadequate electrical service.
- h. Replacement of fuses and replacement or resetting of circuit breakers.
- i. Frozen or broken water pipes, water damage, moisture intrusion, mold or other biological growth.
- j. The use, combination or linking of the Product to other products, processes or materials not provided by Midea.

WARRANTY REMEDY

If any quality or performance issue covered by this warranty is discovered during the warranty period, we will, at our option, repair or replace any such Product. This warranty is limited to Product repair or replacement by an authorized Midea servicer or dealer and does not cover any shipping cost, labor cost, customs duties, inland logistics cost, or cost of service, including any diagnostics, removal, transportation, or reinstallation costs. If we ask, you must return the Product to us.

WARRANTY DISCLAIMER; EXCLUSION OF DAMAGES

This is the only express warranty to consumers that we offer on our Products. **ANY IMPLIED WARRANTIES BY MIDEA, INCLUDING BUT NOT LIMITED TO WARRANTIES OF MERCHANTABILITY AND FITNESS FOR PARTICULAR PURPOSE, ARE LIMITED TO THE DURATION OF THIS EXPRESS WARRANTY.** Some states and provinces do not allow the exclusion of express warranties and/or limitations on how long an implied warranty lasts, so the above exclusion and/or limitation may not apply to you.

THE REMEDY DESCRIBED ABOVE IS THE ONLY ONE THAT WE WILL PROVIDE, EITHER UNDER THIS WARRANTY OR UNDER ANY WARRANTY ARISING BY OPERATION OF LAW. WE WILL NOT BE RESPONSIBLE FOR ANY CONSEQUENTIAL OR INCIDENTAL DAMAGES ARISING FROM THE BREACH OF THIS WARRANTY OR ANY OTHER WARRANTY, WHETHER EXPRESS OR IMPLIED, NEGLIGENCE OR OTHER TORT, OR ON

ANY STRICT LIABILITY THEORY, INCLUDING BUT NOT LIMITED TO LOST PROFITS.

Some states do not allow the exclusion or limitation of incidental or consequential damages, so the above exclusion may not apply to you.

WARRANTY CLAIMS PROCESS

For more information or to make a warranty claim, please visit:

<https://www.midea.com/ca/support>

Or contact us at:

Telephone: 1-888-365-2230

Email: CanadaSupport@midea.com

You must have Your bill of sale, delivery slip, or appropriate proof of purchase to submit a warranty claim. The date of purchase establishes the warranty period, should service be required.

DISPUTE RESOLUTION

ARBITRATION CLAUSE. IMPORTANT. PLEASE REVIEW THIS ARBITRATION CLAUSE. IT AFFECTS YOUR LEGAL RIGHTS.

- a. Parties: This arbitration clause (this "Arbitration Clause") affects your rights against Midea and any of its affiliates or employees or agents, successors, or assigns, all of whom together are referred to below as "we" or "us" for ease of reference.
- b. **ARBITRATION REQUIREMENT: EXCEPT AS STATED BELOW, ANY DISPUTE BETWEEN YOU AND ANY OF US SHALL BE DECIDED BY NEUTRAL, BINDING ARBITRATION RATHER THAN IN COURT OR BY JURY TRIAL.** "Dispute" will be given the broadest possible meaning allowable by law. It includes any dispute, claim, or controversy arising from or relating to your purchase of this Product, any warranty upon the Product, or the Product's condition. It also includes determination of the scope or applicability of this Arbitration Clause. The arbitration requirement applies to claims in contract and tort, pursuant to statute, or otherwise.
- c. **CLASS-ARBITRATION WAIVER: ARBITRATION IS HANDLED ON AN INDIVIDUAL BASIS. IF A DISPUTE IS ARBITRATED, YOU AND WE EXPRESSLY WAIVE ANY RIGHT TO PARTICIPATE AS A CLASS REPRESENTATIVE OR CLASS MEMBER ON ANY CLASS CLAIM YOU MAY HAVE AGAINST US OR WE AGAINST YOU, OR AS A PRIVATE ATTORNEY GENERAL OR IN ANY OTHER REPRESENTATIVE CAPACITY, TO THE MAXIMUM EXTENT PERMITTED BY LAW. YOU AND WE ALSO WAIVE ANY RIGHT TO CLASS ARBITRATION OR ANY CONSOLIDATION OF INDIVIDUAL ARBITRATIONS.**
- d. Discovery and Other Rights: Discovery and rights to appeal in arbitration are generally more limited than in a lawsuit. This applies to both you and us. Other rights that you or we would have in court may not be available in arbitration. Please read this Arbitration Clause and consult the rules of the arbitration organizations listed below for more information.
- e. **SMALL CLAIMS COURT OPTION: YOU MAY CHOOSE TO LITIGATE ANY DISPUTE BETWEEN YOU AND ANY OF US IN SMALL CLAIMS COURT, RATHER THAN IN ARBITRATION, IF THE DISPUTE MEETS ALL REQUIREMENTS TO BE HEARD IN SMALL CLAIMS COURT.**
- f. Governing Law: For residents of the United States, the procedures and effect of the arbitration will be governed by the Federal Arbitration Act (9 U.S.C. § 1 et seq.) rather than by state law concerning arbitration. For residents of Canada, the procedures and effect of the arbitration will be governed by the applicable arbitration law of the province in which you purchased your Product. The law governing your substantive warranty rights and other claims will be the law of the state or province in which you purchased your Product. Any court having jurisdiction may enter judgment on the arbitration award.
- g. Rules of the Arbitration: If the amount in controversy is less than \$250,000, the

arbitration will be decided by a single arbitrator. If the amount in controversy is greater than or equal to \$250,000, the arbitration will be decided by a panel of three arbitrators. The arbitrator(s) will be chosen pursuant to the rules of the administering arbitration organization. United States residents may choose JAMS (1920 Main Street, Ste. 300, Irvine, CA 92614, www.jamsadr.com), or, subject to our approval, any other arbitration organization. In addition, Canadian residents may choose the ADR Institute of Canada (234 Eglinton Ave. East, Suite 405, Toronto, Ontario, M4P 1K5, www.amic.org). These organizations' rules can be obtained by contacting the organization or visiting its website. If the chosen arbitration organization's rules conflict with this Arbitration Clause, the provisions of this Arbitration Clause control. The award of the arbitrator(s) shall be final and binding on all parties.

- h. Location of the Arbitration Hearing: Unless applicable law provides otherwise, the arbitration hearing for United States residents will be conducted in the federal judicial district in which you reside (in your hometown area) or, for Canadian residents, in the province in which you reside, and, if you choose, will be in-person.
- i. Costs of the Arbitration: Each party is responsible for its own attorney, expert, and other costs and fees unless applicable law requires otherwise. Notwithstanding the preceding sentence, and unless applicable law requires otherwise, if you are a consumer under the JAMS rules or the rules of another agreed upon arbitration administrator, Midea will pay or reimburse you for all reasonable fees or costs to the extent required by law or the applicable arbitration administrator's rules. Whether or not required by law or such rules, if you prevail at arbitration on any claim against Midea, Midea will reimburse you for any reasonable fees paid to the arbitration administrator in connection with the arbitration proceedings. Under no circumstances will Midea seek from you payment or reimbursement of any reasonable fees that Midea incurs in connection with the arbitration. If you are required to advance any fees or costs to JAMS or other agreed upon arbitration administrator, but you ask Midea to do so in your stead, Midea will consider and respond to your request.
- j. Survival and Enforceability of this Arbitration Clause: This Arbitration Clause shall survive the expiration or termination, or any transfer, of the warranty on your Product. If any part of this Arbitration Clause, except waivers of class-action rights, is found to be unenforceable for any reason, the remainder of this clause and the warranty shall remain enforceable. If, in a case in which class-action allegations have been made, the waiver of class-action rights under this warranty is found to be unenforceable with respect to any part of the dispute, the parts of the dispute as to which the waiver of class-action rights have been found unenforceable will be severed and will proceed in court without reference or application of this Arbitration Clause. Any remaining parts will proceed in arbitration.

QUEBEC RESIDENTS

The arbitration provisions of this warranty shall not apply to residents of Quebec.

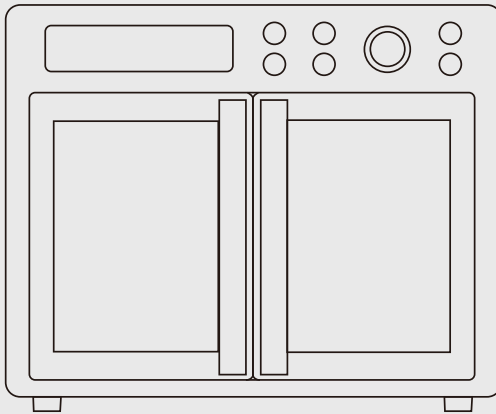


make yourself at home



www.midea.com

© Midea 2025 all rights reserved



**Extension gratuite
de 3 mois** de la période
de garantie limitée initiale!*
Envoyez simplement une
photo de votre preuve d'achat
par message texte au :

1-844-224-1614

*L'extension de garantie porte sur les trois mois
suivant immédiatement
la fin de la période de garantie initiale du produit.
Les particuliers n'ont pas besoin d'enregistrer le
produit pour obtenir tous les droits et recours des
propriétaires enregistrés en vertu de la garantie
limitée d'origine.

FOUR FRITEUSE À AIR

MANUEL D'UTILISATEUR

MET26C3AST/CA

Avertissement : Avant d'utiliser l'appareil, veuillez lire attentivement ce manuel et le conserver pour référence ultérieure.

La conception et les spécifications sont sujettes à changement sans préavis pour l'amélioration du produit. Consultez votre revendeur ou fabricant pour plus de détails.

Le schéma ci-dessus est seulement à titre indicatif. Veuillez vous référer à l'apparence du produit réel.

LETTRE DE REMERCIEMENT

Merci d'avoir choisi Midea ! Avant d'utiliser votre nouveau produit Midea, veuillez lire attentivement ce manuel afin de vous assurer que vous savez comment utiliser les caractéristiques et fonctions de votre nouvel appareil en toute sécurité.

SOMMAIRE

LETTRE DE REMERCIEMENT	FR-01
CONSIGNES DE SÉCURITÉ	FR-02
SPÉCIFICATION	FR-05
PRÉSENTATION DU PRODUIT	FR-06
INSTRUCTIONS D'OPÉRATION	FR-07
NETTOYAGE ET ENTRETIEN	FR-11
DÉPANNAGE ET FAQ	FR-12
MARQUES, DROITS D'AUTEUR ET DÉCLARATION LÉGALE	FR-13
AVIS DE PROTECTION DES DONNÉES	FR-14
GARANTIE LIMITÉE DE 1 ANS	FR-15

CONSIGNES DE SÉCURITÉ

Utilisation prévue

Les consignes de sécurité suivantes ont pour but de prévenir les risques ou les dommages imprévus résultant d'une utilisation dangereuse ou incorrecte de l'appareil. Veuillez vérifier l'emballage et l'appareil à l'arrivée pour vous assurer que tout est intact pour garantir un fonctionnement sûr. Si vous constatez un quelconque dommage, veuillez contacter le détaillant ou le revendeur. Veuillez noter que les modifications de l'appareil ne sont pas autorisées pour votre sécurité. Une utilisation involontaire peut entraîner des dangers et la perte des droits à la garantie.

Explication des symboles



Danger

Ce symbole indique qu'il existe des dangers pour la vie et la santé des personnes en raison d'un gaz extrêmement inflammable.



Avertissement de tension électrique

Ce symbole indique qu'il existe un danger pour la vie et la santé des personnes en raison de la tension.



Avertissement

Le mot de signalisation indique un danger avec un niveau de risque moyen qui, s'il n'est pas évité, peut entraîner la mort ou des blessures graves.



Précaution

Le mot de signalisation indique un danger avec un faible degré de risque qui, s'il n'est pas évité, peut entraîner des blessures mineures ou modérées.



Attention

Le mot de signalisation indique une information importante (par exemple, un dommage matériel), mais pas un danger.



Respecter les instructions

Ce symbole indique qu'un technicien de service ne doit utiliser et entretenir cet appareil que conformément aux instructions d'utilisation.

Lire attentivement ces instructions d'utilisation avant d'utiliser/de mettre en service l'unité et conserver à proximité immédiate du lieu d'installation ou de l'unité pour une utilisation ultérieure !

CONSIGNES DE SÉCURITÉ IMPORTANTES

Lors de l'utilisation des appareils électriques, des précautions de base doivent toujours être prises, notamment les suivantes :

1. Lire toutes les instructions.
2. Ne pas toucher les surfaces chaudes. Utiliser des poignées, ou des boutons.
3. Pour se protéger contre les chocs électriques, ne pas immerger le câble, les fiches ou toute autre pièce électrique dans l'eau ou dans un autre liquide.
4. Une surveillance étroite est nécessaire lorsqu'un appareil est utilisé par ou à proximité d'enfants.
5. Débrancher l'appareil lorsqu'il n'est pas utilisé et avant de le nettoyer. Laisser refroidir avant de mettre ou de retirer les pièces.
6. Ne pas faire fonctionner un appareil dont le câble ou la fiche est endommagé, ou si l'appareil ne fonctionne pas correctement ou s'il a été endommagé de quelque manière que ce soit. Retourner l'appareil au centre de service agréé le plus proche pour examen, réparation ou réglage.
7. L'utilisation d'accessoires non recommandés par le fabricant de l'appareil peut entraîner des blessures.
8. Ne pas utiliser l'unité à l'extérieur.
9. Ne pas laisser le câble pendre sur le bord d'une table ou d'un comptoir, ni toucher des surfaces chaudes.
10. Ne pas placer l'appareil sur ou à proximité d'un brûleur électrique ou à gaz chaud, ou dans un four chauffé.
11. Il convient d'être extrêmement prudent lors du déplacement d'un appareil contenant de l'huile chaude ou d'autres liquides chauds.
12. Mettre n'importe quelle commande sur « off » et retirer la fiche de la prise murale pour déconnecter.
13. Ne pas utiliser l'appareil pour un usage autre que celui prévu.
14. Soyez extrêmement prudent lorsque vous retirez le plateau ou que vous vous débarrassez de la graisse chaude.
15. Ne pas nettoyer avec des tampons à récurer en métal. Des morceaux peuvent se détacher du tampon et toucher des pièces électriques, créant ainsi un risque d'électrocution.
16. Les aliments trop volumineux ou les ustensiles métalliques ne doivent pas être insérés dans un four friteuse à air, car ils peuvent provoquer un incendie ou un risque d'électrocution.
17. Un incendie peut se produire si le four friteuse à air est recouvert ou touche un matériau inflammable, y compris des rideaux, des tentures, des murs et autres, lorsqu'elle fonctionne. Ne pas poser tout objet sur l'appareil lorsqu'il est en fonctionnement.
18. Il convient d'être extrêmement prudent lors de l'utilisation de récipients autres qu'en métal ou en verre.
19. Ne rangez aucun matériel, autre que les accessoires recommandés par le fabricant, dans ce four lorsqu'il n'est pas utilisé.
20. Ne placez aucun des matériaux suivants dans le four : (c'est-à-dire du papier, du carton, du plastique, etc.).

21. Ne pas recouvrir le plateau ramasse-miettes ou toute autre partie du four d'une feuille métallique. Cela entraînera une surchauffe du four.
22. Attention - Pour garantir une protection continue contre les risques d'électrocution, ne branchez l'appareil que sur des prises de courant correctement mises à la terre.
23. Retirer la fiche de la prise lorsque l'appareil n'est pas utilisé, avant de mettre ou d'enlever des pièces et avant de le nettoyer. Laisser refroidir l'appareil avant de le manipuler.
24. Éviter tout contact avec les pièces mobiles.
25. Pour un usage domestique uniquement.
26. En cours de fonctionnement, appuyez sur « START/STOP » pour interrompre la cuisson.

CONSERVER CES INSTRUCTIONS



LES SURFACES SONT SUSCEPTIBLES DE DEVENIR CHAUDES PENDANT L'UTILISATION.

INSTRUCTION DE CÂBLE COURT (CÂBLE D'ALIMENTATION DÉTACHABLE)

1. Un câble d'alimentation court (ou un câble d'alimentation détachable) doit être utilisé pour réduire le risque de s'emmêler ou de trébucher dans un câble plus long.
2. Des câbles d'alimentation détachables plus longs ou des rallonges sont disponibles et peuvent être utilisés à condition d'être utilisés avec précaution.
3. En cas d'utilisation d'un câble d'alimentation amovible plus long ou d'une rallonge :
 - La valeur nominale électrique marquée du câble ou de la rallonge doit être au moins aussi importante que la puissance électrique de l'appareil.
 - La rallonge doit être disposée de manière à ne pas reposer sur le comptoir ou sur la table où les enfants risquent de la tirer ou de trébucher sans intention.
 - Si l'appareil est du type mis à la terre, la rallonge doit être un cordon à 3 fils du type mis à la terre.

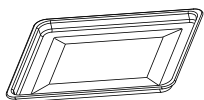
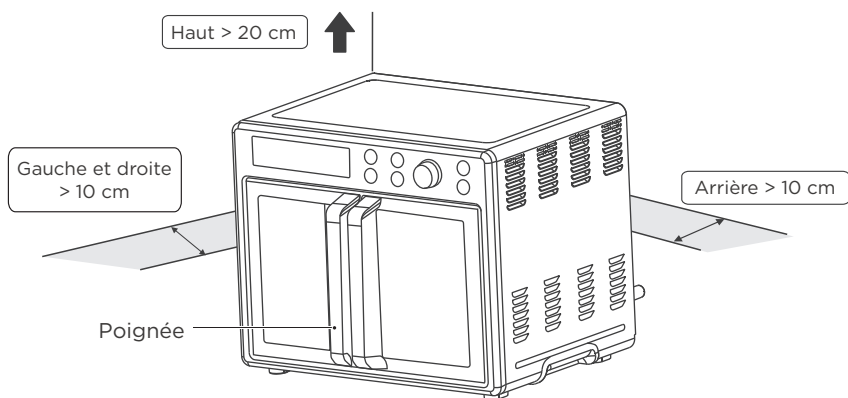
SPÉCIFICATION

MODÈLE	MET26C3AST/CA
ALIMENTATION ÉLECTRIQUE	120VAC 60Hz
CONSOMMATION ÉLECTRIQUE	1750 W

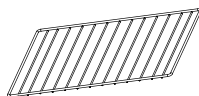
PRÉSENTATION DU PRODUIT

⚠ Remarques

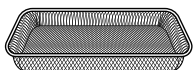
- En cas de différences entre l'appareil et les images de ce manuel, le produit prévaut.
- Placer l'appareil sur une surface isolée lorsqu'il est utilisé.
- L'endroit où le four est utilisé doit être sec. Le four ne doit pas être utilisé à l'extérieur.
- Maintenir le four à une distance de 10 à 15 cm des murs et des armoires. Les objets environnants peuvent s'enflammer en raison de la chaleur dégagée par l'appareil ou se couvrir de suie.
- Maintenir un espace vide de 20 cm entre le dessus du four et tout objet ou mur situé au-dessus.



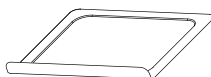
Plaquette de cuisson



Grille de cuisson



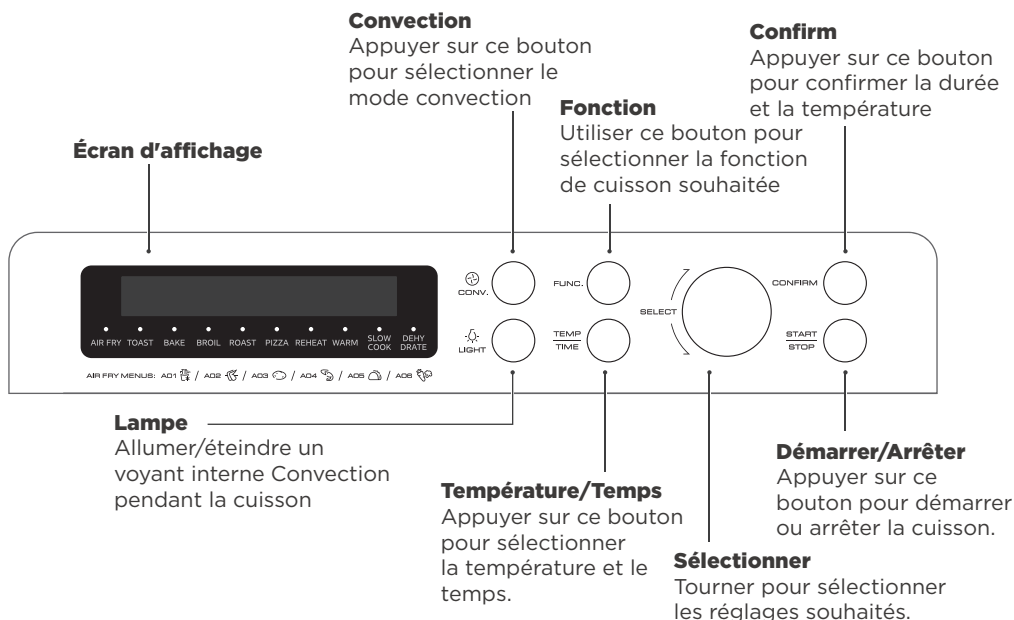
Panier de friture à air



Plateau ramasse-miettes

INSTRUCTIONS D'OPÉRATION

Réglages du panneau de commande



Avant la première utilisation

1. Retirer tous les accessoires et le matériel d'expédition emballés à l'intérieur du four.
2. Laver les accessoires du four avec un peu de liquide vaisselle et de l'eau chaude. Essayer l'appareil et les accessoires du four avec du papier essuie-tout ou un chiffon sec avant de les utiliser.
3. Placer le four sur un plan de travail plat ou une autre surface stable. NE PAS FAIRE FONCTIONNER SUR LE MÊME CIRCUIT QU'UN AUTRE APPAREIL.
4. Avant de travailler, placer le plateau ramasse-miettes sous l'élément chauffant inférieur.
5. Assurer que le plateau ramasse-miettes est correctement mis en place avant d'utiliser le four.
6. Brûler les huiles restant dans le four avant de l'utiliser pour la cuisson. Pour ce faire, appuyer sur le bouton de fonction pour sélectionner la cuisson, appuyer sur le bouton « $\frac{\text{TEMP}}{\text{TIME}}$ » et tourner le bouton pour régler la température à 450°F. Ensuite, appuyer sur le bouton « $\frac{\text{TEMP}}{\text{TIME}}$ » et tourner le bouton pour régler la durée à 15 minutes. Cela permettra de brûler les huiles encore présentes sur le four.
(REMARQUES : Le four peut fumer à l'intérieur pendant le processus. Ce phénomène est normal pour un four neuf et ne dure pas plus de 10 à 15 minutes.)


INSTRUCTIONS D'OPÉRATION

Réglages

FONCTION DE CUISSON	TEMPÉRATURE PAR DÉFAUT	PLAGE DE TEMPÉRATURE	TEMPS PAR DÉFAUT	PLAGE DE TEMPS	CONVECTION
FRITURE À AIR CHAUD	/	200°F-400°F	/	1min-30min	Ouvrir
DÉSHYDRATER	150°F	100°F-200°F	4h	1min-24h	Ouvrir
CUISSON LENTE	200°F	100°F-230°F	1h	1min-8h	Ouvrir
CHAUD	180°F	100°F-300°F	1h	1min-4h	Fermer
RÉCHAUFFER	350°F	150°F-450°F	3min	1min-20min	Défaut : Fermer (en option)
PIZZA (6 POUCES)	370°F	150°F-450°F	7min30s	1min-30min	Défaut : Ouvrir (en option)
PIZZA (9 POUCES)	370°F		8min30s		
PIZZA (12 POUCES)	330°F		16min		
RÔTIR	350°F	150°F-450°F	10min	1min-2h	Défaut : Fermer (en option)
GRILLER	350°F	150°F-450°F	10min	1min-2h	Défaut : Fermer (en option)
CUIRE	350°F	150°F-450°F	25min	1min-2h	Défaut : Fermer (en option)
RÔTIR	/	/	/	/	Fermer

Fonction et opération

Remarques

1. Lorsque le four est branché sur une prise de courant, l'avertisseur sonore retentit une fois.
2. Pendant la cuisson, vous pouvez appuyer sur «  » pour arrêter la cuisson.
3. À la fin de la cuisson, l'avertisseur sonore retentit 3 fois et « COMPLETE and 00:00 » s'affiche.
4. Retirer toujours les aliments avec des gants de cuisine. Les aliments et le four deviennent très chauds.

Mode Eco

Lorsque le four est branché sur une prise de courant et qu'il est en mode veille, le mode défaut ne passe pas en mode ECO.

Pour entrer en mode ECO :

En mode veille, l'écran s'éteint si aucune opération n'est effectuée dans les 5 minutes.

Pour annuler le mode ÉCO :

En mode ECO, vous pouvez appuyer sur n'importe quelle touche pour l'annuler.

Utilisation de la fonction de friture à air

1. Appuyer sur le bouton « **FUNC.** » pour sélectionner la fonction de friture à air.
2. Appuyer sur le bouton « **CONFIRM** », A01 clignote.
3. Tourner le bouton « **SELECT** » pour sélectionner A01-A06 (lorsque vous utilisez « A01 », placer les frites dans le panier à friture et utiliser la durée et la température par défaut).
4. Appuyer sur le bouton « $\frac{\text{TEMP}}{\text{TIME}}$ » et tourner le bouton « **SELECT** » pour sélectionner la température de cuisson.
5. Appuyer sur le bouton « $\frac{\text{TEMP}}{\text{TIME}}$ » et tourner le bouton « **SELECT** » pour sélectionner le temps de cuisson.
6. Placer les aliments dans le four et appuyer sur « $\frac{\text{START}}{\text{STOP}}$ » pour lancer la cuisson.

Affichage	Menu FRITURE À AIR
A01	Frites 🍟
A02	Ailes de poulet 🍗
A03	Pomme de terre 🥔
A04	Crevettes 🍤
A05	Tacos 🌮
A06	Légumes 🥕

Utilisation des fonctions déshydrater, cuisson lente, chaud, réchauffer, rôtir, griller et cuire

1. Appuyer sur le bouton « **FUNC.** » pour sélectionner la fonction souhaitée.
2. Appuyer sur le bouton « $\frac{\text{TEMP}}{\text{TIME}}$ » et tourner le bouton « **SELECT** » pour sélectionner la température de cuisson.
3. Appuyer sur le bouton « $\frac{\text{TEMP}}{\text{TIME}}$ » et tourner le bouton « **SELECT** » pour sélectionner le temps de cuisson.
4. Appuyer sur « $\frac{\text{START}}{\text{STOP}}$ » pour lancer la cuisson.

Utilisation de la fonction pizza

1. Appuyer sur le bouton « **FUNC.** » pour sélectionner la fonction pizza. L'écran affiche « 9 INCH ».
2. Appuyer sur le bouton « **CONFIRM** », tourner le bouton « **SELECT** » pour sélectionner 6, 9 ou 12 pouces.
3. Appuyer sur le bouton « $\frac{\text{START}}{\text{STOP}}$ » pour commencer le préchauffage. Lorsque la température de préchauffage est atteinte, l'avertisseur sonore retentit 5 fois.
4. Mettre les aliments dans le four et fermer la porte, appuyer sur le bouton « $\frac{\text{START}}{\text{STOP}}$ » pour lancer la cuisson.

Utilisation de la fonction rôtir

1. Appuyer sur le bouton « **FUNC.** » pour sélectionner la fonction rôtir.
2. Appuyer sur le bouton « **CONFIRM** », tourner le bouton « **SELECT** » pour sélectionner 1-6 tranches (4 tranches par défaut).
3. Appuyer sur le bouton « $\frac{\text{TEMP}}{\text{TIME}}$ », puis tourner le bouton « **SELECT** » pour sélectionner le niveau d'obscurité.
4. Mettre les aliments dans le four et fermer la porte, appuyer sur le bouton « $\frac{\text{START}}{\text{STOP}}$ » pour lancer la cuisson.

Utilisation du ventilateur de convection

Sélectionner le bouton Convection en mode de fonctionnement pour faire circuler la chaleur dans toute la cavité du four afin d'obtenir une cuisson homogène.

CONSEILS DE CUISSON

- Placer la grille et la plaque de cuisson en fonction de la hauteur des aliments à cuire.
- Les aliments doivent être placés sur une plaque de cuisson afin d'éviter qu'une accumulation de restes d'aliments sur les tuyaux de chauffage ne provoque un incendie.
- Veillez à toujours utiliser un récipient allant au four. Ne jamais utiliser de récipients en plastique ou en carton dans le four.
- Nettoyer périodiquement les tuyaux de chauffage.
- Ne jamais utiliser de casseroles ou de couvercles en verre ou en céramique.
- Ne JAMAIS laisser l'huile ou d'autres liquides provenant des aliments s'égoutter dans le fond du four.
- Régler la température comme le suggère la recette ou comme vous le souhaitez.
- Fermer solidement la porte et régler le temps de cuisson pour commencer la cuisson.

NETTOYAGE ET ENTRETIEN

Avec un entretien et un nettoyage adéquats, votre appareil conservera son aspect et restera pleinement fonctionnel pendant longtemps. Nous vous expliquerons ici comment vous devez entretenir et nettoyer correctement votre appareil. Ne pas utiliser de nettoyeurs pour verre ou de grattoirs en métal ou en verre pour le nettoyage.

- Avant le nettoyage, débrancher le four et laisser refroidir complètement.
- Laver tous les accessoires à l'eau douce savonneuse, y compris la grille et la plaque de cuisson.
- Ne pas utiliser de nettoyeurs abrasifs, de brosses à récurer et de nettoyeurs chimiques, car ils endommageraient le revêtement antiadhésif de la plaque de cuisson.
- Utiliser un chiffon humide pour essuyer l'intérieur du four.
- Pour nettoyer la porte, utiliser un chiffon humide saturé de détergent ou de savon.
- Ne jamais immerger le four dans l'eau ou dans un autre liquide. Ne pas nettoyer l'appareil dans un lave-vaisselle.
- Tout autre entretien doit être effectué par un représentant de service autorisé.

DÉPANNAGE ET FAQ

FAQ

Pourquoi le four ne s'allume-t-il pas ?

- Assurer que le câble d'alimentation est bien branché dans la prise de courant.
- Brancher le câble d'alimentation dans une autre prise.
- Réinitialiser le disjoncteur si nécessaire.
- Appuyer sur le bouton d'alimentation.

Pourquoi mes aliments ne sont-ils pas assez cuits ou trop cuits ?

- Ne pas ajouter d'aliments au four lorsque le temps de préchauffage recommandé est écoulé. Pour obtenir les meilleurs résultats, vérifier la progression de la cuisson et retirer les aliments si le niveau de brunissement souhaité est atteint. Retirer les aliments immédiatement après la fin du temps de cuisson pour éviter la surcuisson.
- Ce four cuit plus rapidement qu'un four traditionnel. Surveiller toujours les aliments pendant la cuisson.

Pourquoi les éléments chauffants semblent-ils s'allumer et s'éteindre ?

- C'est normal. Le four est conçu pour contrôler la température avec précision pour chaque fonction en ajustant les niveaux de puissance des éléments chauffants.

Pourquoi de la vapeur s'échappe-t-elle de la porte du four ?

- C'est normal. La porte est ventilée pour évacuer la vapeur créée par les aliments à forte teneur en eau.

Pourquoi de l'eau s'écoule-t-elle sur le comptoir par le dessous de la porte ?

- C'est normal. La condensation créée par les aliments à forte teneur en humidité (comme les pains surgelés) peut couler à l'intérieur de la porte et s'égoutter sur le comptoir.


Pourquoi y a-t-il du bruit provenant du panneau de commande ou de l'arrière du four ?

- Lorsque le four est chaud, un ventilateur se met en marche pour refroidir le panneau de commande.

Pourquoi le four donne-t-il l'impression de continuer à fonctionner alors qu'il est éteint ?

- Le ventilateur de refroidissement peut continuer à fonctionner même après que le four a été éteint. Il s'agit d'une fonction normale qui ne doit pas être une source d'inquiétude.

MARQUES, DROITS D'AUTEUR ET DÉCLARATION LÉGALE

 Le logo, les marques verbales, le nom commercial, l'habillage commercial et toutes leurs versions sont des actifs précieux de Midea Group et/ou de ses sociétés affiliées (« Midea »), auxquels Midea appartient des marques, des droits d'auteur et d'autres droits de propriété intellectuelle, ainsi que toute la survalueur dérivée de l'utilisation de toute partie d'une marque Midea. L'utilisation de la marque Midea à des fins commerciales sans le consentement écrit préalable de Midea peut constituer une violation de la marque ou une concurrence déloyale en violation des lois applicables.

Ce manuel est créé par Midea et Midea en réserve tous les droits d'auteur. Aucune entité ou personne ne peut utiliser, dupliquer, modifier, distribuer en totalité ou en partie ce manuel, ni le regrouper ou le vendre avec d'autres produits sans le consentement écrit préalable de Midea.

Toutes les fonctions et instructions décrites étaient à jour au moment de l'impression de ce manuel. Toutefois, le produit réel peut varier en raison de fonctions et de conceptions améliorées.

AVIS DE PROTECTION DES DONNÉES

Pour la fourniture des services convenus avec le client, nous nous engageons à respecter sans restriction toutes les stipulations du droit applicable en matière de protection des données, conformément aux pays convenus au sein desquels les services au client seront fournis.

En règle générale, nous traitons les données pour remplir nos obligations contractuelles avec vous et, pour des raisons de sécurité des produits, pour sauvegarder vos droits en rapport avec les questions de garantie et d'enregistrement des produits. Dans certains cas, mais uniquement si une protection appropriée des données est assurée, les données personnelles peuvent être transférées à des destinataires situés en dehors de l'Espace économique européen.

De plus amples informations sont fournies sur demande. Vous pouvez contacter notre délégué à la protection des données à l'adresse **MideaDPO@midea.com**. Pour exercer vos droits, tels que le droit de vous opposer au traitement de vos données personnelles à des fins de marketing direct, veuillez nous contacter via **MideaDPO@midea.com**. Pour obtenir de plus amples informations, veuillez suivre le code QR.

GARANTIE LIMITÉE DE 1 ANS

Cette garantie est fournie à la livraison au détail (l'«acheteur» ou «vous») par Midea America (le Canada) Corp. («Midea » ou « nous »), qui garantit toutes les pièces de ce produit, comme décrit ci-dessous. Midea garantit ce produit à l'acheteur pour un usage personnel, familial ou domestique. Cette garantie couvre les problèmes de rendement, de qualité des matériaux et de la qualité d'exécution qui apparaissent dans le cadre de l'utilisation normale et d'entretien dans un délai d'un an à compter de la date d'achat. Cette garantie vous donne des droits précis, et vous pouvez également avoir d'autres droits qui varient d'un État à l'autre. La date de livraison établit la période de garantie, si un entretien est nécessaire.

LIMITATIONS DE GARANTIE

Cette garantie est offerte uniquement à l'acheteur initial au détail aux États-Unis ou au Canada et ne peut être transférée à un acheteur ultérieur. Cette garantie ne s'applique pas aux acheteurs de nos produits pour une utilisation ou revente dans une entreprise ; une garantie commerciale distincte peut protéger ces acheteurs.

Cette garantie ne couvre pas les défaillances du produit causées par :

- a. un abus, un dommage ou une utilisation du produit en violation des instructions du produit ;
- b. une modification de l'ensemble du produit ou d'une pièce ;
- c. un défaut d'entretien du produit ou de la pièce tel que décrit dans les instructions du produit ;
- d. une installation ou utilisation inappropriée ;
- e. une utilisation de pièces ou d'accessoires non compatibles avec ce produit ;
- f. des inondations, incendies, vents, foudre, accidents, atmosphères corrosives ou autres conditions indépendantes de la volonté de Midea ;
- g. une interruption du service électrique ou un service électrique inadéquat ;
- h. un remplacement des fusibles et un remplacement ou une réinitialisation des disjoncteurs ;
- i. des tuyaux d'eau gelés ou cassés, des dégâts d'eau, une pénétration d'humidité, de la moisissure ou tout autre développement biologique ;
- j. l'utilisation, la combinaison ou l'association du Produit à d'autres produits, processus ou matériaux non fournis par Midea.

ÉTENDUE DE LA GARANTIE

Si un problème de qualité ou de performance couvert par cette garantie est découvert pendant la période de garantie, nous réparerons ou remplacerons, à notre discrétion, le produit en question. Cette garantie est limitée à la réparation ou au remplacement du produit par un réparateur ou un concessionnaire Midea agréé et ne couvre pas les frais d'expédition, les coûts de main-d'œuvre, les droits de douane, les coûts de logistique interne ou les coûts de service, y compris les coûts de diagnostic, de retrait, de transport ou de réinstallation. Si nous vous le demandons, vous devez nous retourner le produit.

EXCLUSION DE GARANTIE ; EXCLUSION DE DOMMAGES

Il s'agit de la seule garantie expresse que nous offrons aux consommateurs sur nos produits. **TOUTE GARANTIE IMPLICITE DE MIDEA, Y COMPRIS, MAIS SANS S'Y LIMITER, LES GARANTIES DE QUALITÉ MARCHANDE ET D'ADÉQUATION À UN USAGE PARTICULIER, EST LIMITÉE À LA DURÉE DE CETTE GARANTIE EXPRESSE.** Certains États et provinces n'autorisent pas l'exclusion des garanties expresses et/ou la limitation de la durée d'une garantie implicite. Il est donc possible que l'exclusion et/ou la limitation susmentionnées ne pas s'applique pas à vous.

LE RECOURS DÉCRIT CI-DESSUS EST LE SEUL QUE NOUS FOURNIRONS, QUE CE SOIT AU TITRE DE LA PRÉSENTE GARANTIE OU DE TOUTE GARANTIE DÉCOULANT DE L'APPLICATION DE LA LOI. NOUS NE SERONS PAS RESPONSABLES DES DOMMAGES CONSÉCUTIFS OU ACCESSOIRES DÉCOULANT DE LA VIOLATION DE CETTE GARANTIE OU DE TOUTE AUTRE GARANTIE, EXPRESSE OU IMPLICITE, DE LA NÉGLIGENCE OU DE TOUT AUTRE DÉLIT, OU DE TOUTE THÉORIE DE RESPONSABILITÉ STRICTE, Y COMPRIS, MAIS SANS S'Y LIMITER, LA PERTE DE PROFITS. Certains États n'autorisent pas l'exclusion ou la limitation des dommages accessoires ou consécutifs, il est possible que l'exclusion ci-dessus ne vous concerne pas.

PROCESSUS DE RÉCLAMATION AU TITRE DE LA GARANTIE

Pour plus d'informations ou pour faire une demande de garantie, veuillez consulter le site suivant :

<https://www.midea.com/ca/support>

Contactez-nous via les canaux suivants :

Téléphone : 1-888-365-2230

Courriel : CanadaSupport@midea.com

Vous devez avoir votre facture de vente, votre bon de livraison ou une preuve d'achat appropriée pour soumettre une réclamation au titre de la garantie. La date d'achat établit la période de garantie, si un service venait à s'avérer nécessaire.

RÉSOLUTION DES LITIGES

CLAUSE D'ARBITRAGE. IMPORTANT ! VEUILLEZ CONSULTER CETTE CLAUSE D'ARBITRAGE. ELLE AFFECTE VOS DROITS LÉGAUX.

- a. Parties : Cette clause d'arbitrage (« Clause d'arbitrage ») affecte vos droits à l'encontre de Midea et toutes ses sociétés affiliées, ses employés ou agents, successeurs ou ayants droit, qui sont tous ci-après désignés par « nous » ou « notre » pour des raisons de commodité.
- b. **EXIGENCE EN MATIÈRE D'ARBITRAGE : SAUF INDICATION CONTRAIRE CI-DESSOUS, TOUT LITIGE ENTRE VOUS ET L'UN D'ENTRE NOUS SERA TRANCHÉ PAR UN ARBITRAGE NEUTRE ET CONTRAIGNANT PLUTÔT QUE PAR UN TRIBUNAL OU UN PROCÈS AVEC JURY.** Le terme « Litige » prend son sens le plus large possible autorisé par la loi. Il s'agit de tout litige, réclamation ou controverse découlant de ou lié à votre achat de ce produit, toute garantie sur le produit ou l'état du produit. Cela comprend également la détermination de la portée ou de l'applicabilité de la présente clause d'arbitrage. L'exigence d'arbitrage s'applique aux réclamations contractuelles et délictuelles, en vertu de la loi ou autrement.
- c. **RENONCIATION À L'ARBITRAGE COLLECTIF : L'ARBITRAGE EST TRAITÉ INDIVIDUELLEMENT. SI UN LITIGE FAIT L'OBJET D'UN ARBITRAGE, VOUS ET NOUS RENONÇONS EXPRESSÉMENT À TOUT DROIT DE PARTICIPER EN TANT QUE REPRÉSENTANT OU MEMBRE D'UN GROUPE À TOUTE RÉCLAMATION COLLECTIVE QUE VOUS POURRIEZ AVOIR CONTRE NOUS OU QUE NOUS POURRIONS AVOIR CONTRE VOUS, OU EN TANT QUE MANDATAIRE PRIVÉ OU À TOUT AUTRE TITRE REPRÉSENTATIF, DANS LES LIMITES MAXIMALES AUTORISÉES PAR LA LOI. VOUS ET NOUS RENONÇONS ÉGALEMENT À TOUT DROIT À L'ARBITRAGE COLLECTIF OU À TOUTE CONSOLIDATION D'ARBITRAGES INDIVIDUELS.**
- d. Enquête et autres droits : Les enquêtes et les droits de recours dans le cadre d'un arbitrage sont généralement plus limités que dans le cadre d'un procès. Cela s'applique à vous et à nous. Les autres droits que vous ou nous aurions devant un tribunal peuvent ne pas être disponibles dans le cadre d'un arbitrage. Veuillez lire cette clause d'arbitrage et consulter le règlement d'arbitrage entre les organisations énumérées ci-dessous pour plus d'informations.
- e. **OPTION RELATIVE À LA COUR DES PETITES CRÉANCES : VOUS POUVEZ CHOISIR DE SOUMETTRE TOUT LITIGE ENTRE VOUS ET L'UN D'ENTRE NOUS AU TRIBUNAL DES PETITES CRÉANCES, PLUTÔT QU'À L'ARBITRAGE, SI LE LITIGE REMPLIT TOUTES LES CONDITIONS REQUISES EN LA MATIÈRE.**

- f. Loi applicable : Pour les résidents des États-Unis, les procédures et les effets de l'arbitrage seront régis par la loi fédérale sur l'arbitrage (9 U.S.C. § 1 et seq.) plutôt que par la législation de l'État concernant l'arbitrage. Pour les résidents du Canada, les procédures et les effets de l'arbitrage seront régis par la loi d'arbitrage applicable de la province dans laquelle vous avez acheté votre Produit. La loi régissant vos droits de garantie substantiels et autres réclamations sera la loi de l'État ou de la province dans lequel vous avez acheté votre Produit. Tout tribunal compétent peut rendre un jugement sur la sentence arbitrale.
- g. Règles de l'arbitrage : Si le montant en litige est inférieur à 250 000 \$, l'arbitrage sera tranché par un seul arbitre. Si le montant en litige est supérieur ou égal à 250 000 \$, l'arbitrage sera tranché par un panel de trois arbitres. L'arbitre ou les arbitres sera(ont) choisi(s) conformément aux règles de l'organisation d'arbitrage responsable. Les résidents des États-Unis peuvent choisir JAMS (1920 Main Street, Ste. 300, Irvine, CA 92614, www.jamsadr.com), ou, sous réserve de notre approbation, toute autre organisation d'arbitrage. En outre, les résidents du Canada peuvent choisir l'ADR Institute of Canada (234 Eglinton Ave. East, Suite 405, Toronto, Ontario, M4P 1K5, www.amic.org). Vous pouvez obtenir les règles de ces organisations en contactant l'organisation ou en visitant son site Web. Si les règles de l'organisation d'arbitrage choisie sont en conflit avec la présente clause d'arbitrage, les dispositions de la présente clause d'arbitrage prévalent. La sentence du ou des arbitres sera définitive et contraignante pour toutes les parties.
- h. Lieu de l'audience d'arbitrage : À moins que la loi en vigueur n'en dispose autrement, l'audience d'arbitrage pour les résidents des États-Unis se déroulera dans le district judiciaire fédéral dans lequel vous résidez (dans votre région natale) ou, pour les résidents du Canada, dans votre province de résidence et, si vous le souhaitez, en personne.
- i. Frais de l'arbitrage : Chaque partie est responsable de ses propres frais d'avocat, d'expert et autres, sauf si la loi applicable en dispose autrement. Nonobstant la phrase précédente, et à moins que la loi applicable n'en dispose autrement, si vous êtes un consommateur en vertu des règles JAMS ou des règles d'un autre administrateur d'arbitrage convenu, Midea vous paiera ou vous remboursera tous les frais ou coûts raisonnables dans la mesure requise par la loi ou les règles de l'administrateur d'arbitrage applicable. Que la loi ou de telles règles l'exigent ou non, si vous l'emporztez à l'arbitrage sur toute réclamation contre Midea, Midea vous remboursera tous les frais raisonnables payés à l'administrateur d'arbitrage dans le cadre de la procédure d'arbitrage. En aucun cas, Midea ne vous demandera le paiement ou le remboursement des frais raisonnables que Midea encourt dans le cadre de l'arbitrage. Si vous devez avancer des frais ou des coûts à JAMS ou à un autre administrateur d'arbitrage convenu, mais que vous demandez à Midea de le faire à votre place, Midea examinera et répondra à votre demande.
- j. Survie et applicabilité de la présente clause d'arbitrage : La présente clause d'arbitrage survivra à l'expiration ou à la résiliation, ou à tout transfert, de la garantie de votre produit. Si une partie de la présente clause d'arbitrage, à l'exception des renonciations aux droits de recours collectif, est jugée inapplicable pour quelque raison que ce soit, le reste de la présente clause et la garantie resteront applicables. Si, dans un cas où des allégations de recours collectif ont été formulées, la renonciation aux droits de recours collectif au titre de la présente garantie est jugée inapplicable en ce qui concerne toute partie du litige, les parties du litige pour lesquelles la renonciation aux droits de recours collectif a été jugée inapplicable seront dissociées et feront l'objet d'une procédure judiciaire sans référence ni application de la présente clause d'arbitrage. Toutes les parties restantes feront l'objet d'un arbitrage.

RÉSIDENTS DU QUÉBEC

Les dispositions d'arbitrage de cette garantie ne s'appliquent pas aux résidents du Québec.



make yourself at home



www.midea.com

© Midea 2025 all rights reserved