

**SEARS**

# **CRAFTSMAN®**

**MODEL NUMBER 917.373491 OWNER'S MANUAL**

- **Assembly**
- **Operation**
- **Customer Responsibilities**
- **Service**
- **Adjustments**
- **Repair Parts**

**Caution:**  
**Read and Follow**  
**all Safety Rules**  
**and Instructions**  
**Before Operating**  
**This Equipment**



**Sears, Roebuck and Co., Hoffman Estates, IL 60179 U.S.A.**

# SAFETY RULES



**CAUTION: ALWAYS DISCONNECT SPARK PLUG WIRE AND PLACE WIRE WHERE IT CANNOT CONTACT SPARK PLUG TO PREVENT ACCIDENTAL STARTING WHEN SETTING UP, TRANSPORTING, ADJUSTING OR MAKING REPAIRS.**



## IMPORTANT

**SAFETY STANDARDS REQUIRE OPERATOR PRESENCE CONTROLS TO MINIMIZE THE RISK OF INJURY. YOUR UNIT IS EQUIPPED WITH SUCH CONTROLS. DO NOT ATTEMPT TO DEFEAT THE FUNCTION OF THE OPERATOR PRESENCE CONTROLS UNDER ANY CIRCUMSTANCES.**

### TRAINING:

- Read this operator's manual carefully. Become familiar with the controls and know how to operate your mower properly. Learn how to quickly stop mower.
- Do not allow children to use your mower. Never allow adults to use mower without proper instructions.
- Keep the area of operation clear of all persons, especially small children and pets.
- Use mower only as the manufacturer intended and as described in this manual.
- Do not operate mower if it has been dropped or damaged in any manner. Always have damage repaired before using your mower.
- Do not use accessory attachments that are not recommended by the manufacturer. Use of such attachments may be hazardous.
- Be aware that the mower blade turns when the engine is running.
- Always stop the engine whenever you leave or are not using your mower, or before crossing driveways, walks, roads, and any gravel-covered areas.
- Never direct discharge of material toward bystanders nor allow anyone near the mower while you are operating it.
- Before cleaning, inspecting, or repairing your mower, stop the engine and make absolutely sure the blade and all moving parts have stopped. Then disconnect the spark plug wire and keep it away from the spark plug to prevent accidental starting.
- Do not continue to run your mower if you hit a foreign object. Follow the procedure outlined above, then repair any damage before restarting and operating you mower.
- Do not change the governor settings or overspeed the engine. Engine damage or personal injury may result.
- Do not operate your mower if it vibrates abnormally. Excessive vibration is an indication of damage; stop the engine, safely check for the cause of vibration and repair as required.
- Do not run the engine indoors. Exhaust fumes are dangerous.
- Never cut grass by pulling the mower towards you. Mow across the face of slopes, never up and down or you might lose your footing. Do not mow excessively steep slopes. Use caution when operating the mower on uneven terrain or when changing directions - maintain good footing.
- Never operate your mower without proper guards, plates, grass catcher or other safety devices in place.

### PREPARATION:

- Always thoroughly check the area to be mowed and clear it of all stones, sticks, wires, bones, and other foreign objects. These objects will be thrown by the blade and can cause severe injury.
- Always wear safety glasses or eye shields when starting and while using your mower.
- Dress properly. Do not operate mower when barefoot or wearing open sandals. Wear only solid shoes with good traction when mowing.
- Check fuel tank before starting engine. Do not fill gas tank indoors, when the engine is running or when the engine is hot. Allow the engine to cool for several minutes before filling the gas tank. Clean off any spilled gasoline before starting the engine.
- Always make wheel height adjustments before starting your mower. Never attempt to do this while the engine is running.
- Mow only in daylight or good artificial light.

### OPERATION:

- Keep your eyes and mind on your mower and the area being cut. Do not let other interests distract you.
- Do not mow wet or slippery grass. Never run while operating your mower. Always be sure of your footing - keep a firm hold on the handles and walk.
- Do not put hands or feet near or under rotating parts. Keep clear of the discharge opening at all times.

### MAINTENANCE AND STORAGE:

- Check the blade and the engine mounting bolts often to be sure they are tightened properly.
- Check all bolts, nuts and screws at frequent intervals for proper tightness to be sure mower is in safe working condition.
- Keep all safety devices in place and working.
- To reduce fire hazard, keep the engine free of grass, leaves or excessive grease and oil.
- Check grass catcher often for deterioration and wear and replace worn bags. Use only replacement bags that are recommended by and comply with specifications of the manufacturer of your mower.
- Always keep a sharp blade on your mower.
- Allow engine to cool before storing in any enclosure.
- Never store mower with fuel in the tank inside a building where fumes may reach an open flame or an ignition source such as a hot water heater, space heater, clothes dryer, etc.



**LOOK FOR THIS SYMBOL TO POINT OUT IMPORTANT SAFETY PRECAUTIONS. IT MEANS - ATTENTION!!! BECOME ALERT!!! YOUR SAFETY IS INVOLVED.**

**CONGRATULATIONS** on your purchase of a Sears Craftsman Lawn Mower. It has been designed, engineered and manufactured to give you the best possible dependability and performance.

Should you experience any problems you cannot easily remedy, please contact your nearest Sears Service Center/Department. Sears has competent, well trained technicians and the proper tools to service or repair this unit.

Please read and retain this manual. The instructions will enable you to assemble and maintain your lawn mower properly. Always observe the "SAFETY RULES".

<p>MODEL NUMBER 917.373491</p> <p>SERIAL NUMBER _____</p> <p>DATE OF PURCHASE _____</p> <p>THE MODEL AND SERIAL NUMBERS WILL BE FOUND ON A DECAL ATTACHED TO THE REAR OF THE LAWN MOWER HOUSING.</p> <p>YOU SHOULD RECORD BOTH SERIAL NUMBER AND DATE OF PURCHASE AND KEEP IN A SAFE PLACE FOR FUTURE REFERENCE.</p>
--

**PRODUCT SPECIFICATIONS**

HORSEPOWER:	5.0
DISPLACEMENT:	11.5 cu. in.
GASOLINE CAPACITY:	1.25 quart (Unleaded)
OIL (20 oz. Capacity):	SAE 30 (Above 32°F) 5W30 (Below 32°F)
SPARK PLUG (GAP .030 in.): (0.76 mm)	Champion RJ19LM or Sears <sup>TM</sup> 33312 or STD 361458 or STD 360950
VALVE CLEARANCE:	Intake: .008 in. Exhaust: .008 in.
SOLID STATE IGNITION AIR GAP:	.0125 in.
BLADE BOLT TORQUE:	35-40 ft.-lbs.

**MAINTENANCE AGREEMENT**

A Sears Maintenance Agreement is available on this product. Contact your nearest Sears store for details.

**CUSTOMER RESPONSIBILITIES**

- Read and observe the safety rules.
- Follow a regular schedule in maintaining, caring for and using your lawn mower.
- Follow the instructions under "Customer Responsibilities" and "Storage" sections of this Owner's Manual.

**LIMITED TWO YEAR WARRANTY ON CRAFTSMAN POWER MOWER**

For two years from date of purchase, when this Craftsman Lawn Mower is maintained, lubricated, and tuned up according to the operating and maintenance instructions in the owner's manual, Sears will repair free of charge any defect in material or workmanship.

If this Craftsman Lawn Mower is used for commercial or rental purposes, this warranty applies for only 90 days from the date of purchase.

This Warranty does not cover:

- Expendable items which become worn during normal use, such as rotary mower blades, blade adapters, belts, air cleaners and spark plug.
- Repairs necessary because of operator abuse or negligence, including bent crankshafts and the failure to maintain the equipment according to the instructions contained in the owner's manual.

WARRANTY SERVICE IS AVAILABLE BY RETURNING THE CRAFTSMAN POWER MOWER TO THE NEAREST SEARS SERVICE CENTER/DEPARTMENT IN THE UNITED STATES. THIS WARRANTY APPLIES ONLY WHILE THIS PRODUCT IS IN USE IN THE UNITED STATES.

This Warranty gives you specific legal rights, and you may also have other rights which vary from state to state.

SEARS, ROEBUCK AND CO., D/817 WA, HOFFMAN ESTATES, ILLINOIS 60179



# TABLE OF CONTENTS

SAFETY RULES .....	2	MAINTENANCE SCHEDULE .....	11
PRODUCT SPECIFICATIONS .....	3	SERVICE AND ADJUSTMENTS .....	15
CUSTOMER RESPONSIBILITIES .....	3, 11-14	STORAGE .....	18
WARRANTY .....	3	TROUBLESHOOTING .....	19
LAWN MOWER ACCESSORIES .....	5	REPAIR PARTS - LAWN MOWER .....	20-24
ASSEMBLY .....	6	REPAIR PARTS - ENGINE .....	25-27
OPERATION .....	7	PARTS ORDERING/SERVICE .....	BACK COVER

## INDEX



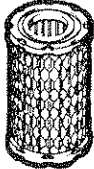
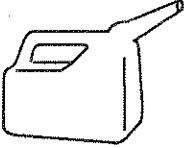

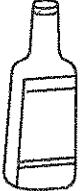
<b>A</b>		<b>F</b>		<b>P</b>	
Accessories.....	5	Fuel:		Repair Parts	
Adjustments:		Type .....	10	Lawn Mower .....	20-24
Carburetor .....	17	Storage .....	18	Engine .....	25-27
Engine Speed .....	17	<b>H</b>		<b>R</b>	
Handle Height .....	17	Handle:		Responsibilities, Customer ....	3, 11-14
Height of Cut .....	9	Adjustment.....	17	<b>S</b>	
Air Filter:		Assembly .....	6	Safety Rules .....	2
Replacement .....	14	<b>L</b>		Service and Adjustments:	
Assembly:		Lubrication:		Carburetor .....	17
Handle .....	6	Engine .....	11	Drive Belt .....	15
Grass Catcher .....	6	Brake Spring Bracket .....	11	Drive Control .....	16
<b>B</b>		Drive Pawls .....	11	Engine Speed .....	17
Blade:		Drive Pinions .....	11	Handle .....	17
Sharpening .....	12	Handle Bracket Mounting Pin ..	11	Rear Deflector .....	16
Replacement .....	12	Wheel Adjusters .....	11	Spark Plug .....	14
<b>C</b>		<b>M</b>		Specifications .....	3
Controls:		Maintenance Agreement .....	3	Starting the Engine .....	10
Operator Presence Control Bar..	7	Maintenance Schedule .....	11	Speed Control .....	8
Engine Speed Control .....	8	Mowing Tips .....	10	Stopping the Engine .....	10
Customer Responsibilities ....	3, 11-14	<b>O</b>		Storage .....	18
Air Filter .....	14	Oil:		<b>T</b>	
Blade Care/Replacement .....	12	Engine .....	9	Trouble Shooting Chart .....	19
Drive Wheels .....	13	Storage .....	18	<b>W</b>	
Engine .....	14	Operation:		Warranty .....	3
Grass Catcher .....	12	Operating Lawn Mower .....	8	Wheels:	
Spark Plug .....	14	Control Bar .....	7		
Lubrication .....	11	Speed Control .....	8		
<b>E</b>		Operator Presence Control Bar .....	7		
Engine:		Options:			
Oil Change .....	14	Attachments .....	5		
Oil Level .....	9				
Oil Type .....	9				
Starting .....	10				
Storage .....	18				





# LAWN MOWER ACCESSORIES

These accessories were available when this lawn mower was produced. They are also available at most Sears retail outlets, catalog and service centers. Most Sears stores can also order repair parts for you, when you provide the model number of your lawn mower. Some of these accessories may not apply to your lawn mower.


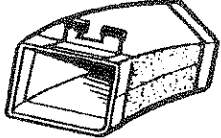
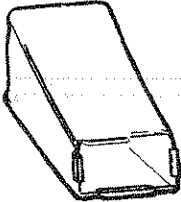
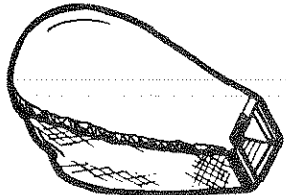
## ENGINE

<p><b>SPARK PLUG</b></p> 	<p><b>MUFFLER</b></p> 	<p><b>AIR FILTER</b></p> 	<p><b>GAS CAN</b></p> 	<p><b>ENGINE OIL</b></p> 	<p><b>STABILIZER</b></p> 
--	---	--	--	--	--


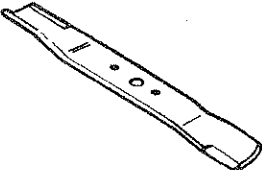
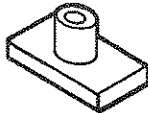

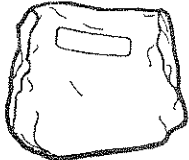
If lawn mower is an electric start

<p><b>CHARGER</b></p> 	<p><b>BATTERY</b></p> 
--	---

## LAWN MOWER PERFORMANCE

<p><b>REAR BAG OPTIONAL</b></p>	<p><b>DUST SHIELD</b></p> 	<p><b>CLIPPING DEFLECTOR</b></p> 	
<p><b>REPLACEMENT BAG FOR REAR DISCHARGE LAWN MOWERS</b></p>	<p><b>FABRIC BAG</b></p> 	<p><b>OPTIONAL CATCHER FOR SIDE DISCHARGE LAWN MOWER</b></p>	<p><b>SIDE DISCHARGE CATCHER</b></p> 

## LAWN MOWER MAINTENANCE

<p><b>BELT</b></p> 	<p><b>BLADE</b></p> 	<p><b>BLADE ADAPTER</b></p> 	<p><b>WHEELS</b></p> 	<p><b>LAWN MOWER COVER</b></p> 
--	---	---	--	--

# ASSEMBLY

Read these instructions and this manual in its entirety before you attempt to assemble or operate your new lawn mower. Your new lawn mower has been assembled at the factory with the exception of those parts left unassembled for shipping purposes. To ensure safe and proper operation of your lawn mower, all parts and hardware you assemble must be tightened securely. Use the correct tools as necessary to ensure proper tightness. All parts such as nuts, washers, bolts, etc., necessary to complete the assembly have been placed in the parts bag.

## TO REMOVE LAWN MOWER FROM CARTON

- Remove loose parts included with mower.
- Cut down two end corners of carton and lay end panel down flat.
- Remove all packing materials except padding between upper and lower handle and padding holding operator presence control bar to upper handle.
- Roll lawn mower out of carton and check carton thoroughly for additional loose parts.

## HOW TO SET UP YOUR LAWN MOWER

### TO UNFOLD HANDLE (See Figs. 1 & 2)

**IMPORTANT:** UNFOLD HANDLE CAREFULLY SO AS NOT TO PINCH OR DAMAGE CONTROL CABLES.

- Raise lower handle section to operating position and align hole in handle with one of three height positioning holes.
- Insert handle bolt through handle and bracket and secure with knob.
- Repeat for opposite side of handle.
- Raise upper handle section to operating position, remove protective padding and tighten handle knobs securely.
- Remove any packing material from around control bar.
- Your handles may be adjusted for your mowing comfort. Refer to Service and Adjustments section of this manual.

### TO INSTALL ATTACHMENTS (See Fig. 3)

Your lawn mower was shipped ready to be used as a mulcher. To convert to bagging or discharging:

- Open rear door and remove mulcher plate. Store mulcher plate in a safe place.
- You can now install catcher or optional clipping deflector.
- To return to mulching operation, install mulcher plate into discharge opening of mower. Be sure all tabs are seated properly.

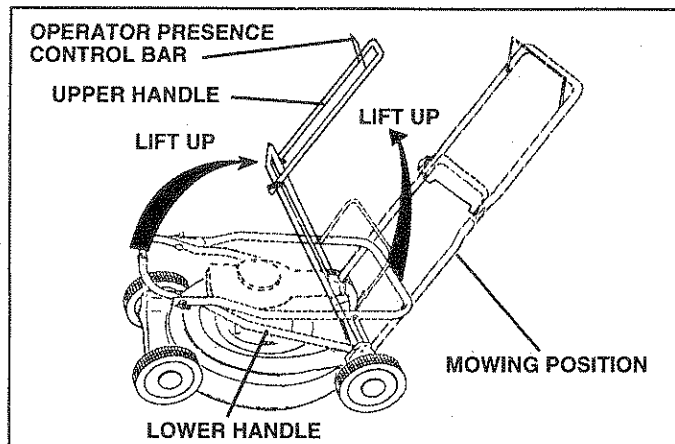


FIG. 1

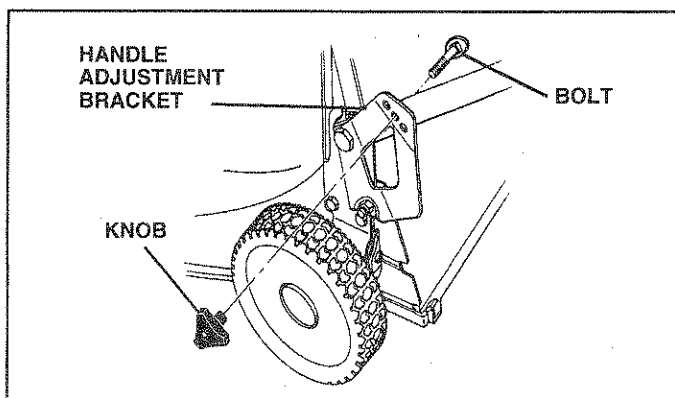


FIG. 2

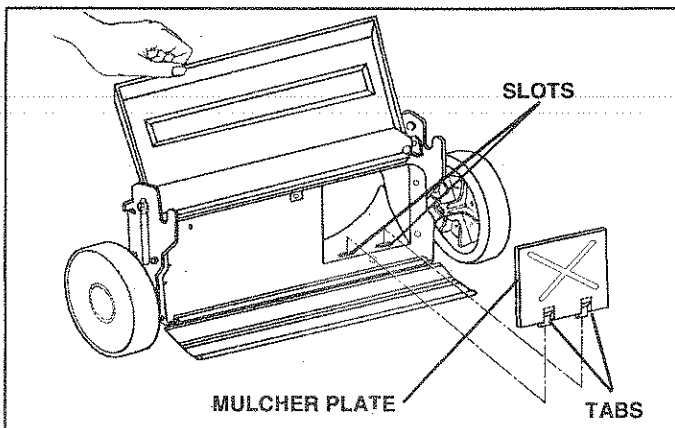


FIG. 3



**CAUTION:** Do not run your lawn mower without mulcher plate in place or approved clipping deflector or grass catcher in place. Never attempt to operate the lawn mower with the rear door removed or propped open.

# ASSEMBLY

## TO ASSEMBLE & ATTACH GRASS CATCHER (See Figs. 4 & 5)

- Put grass catcher frame into grass bag with rigid part of bag on the bottom. Make sure the frame handle is outside of the bag top.
- Slip vinyl bindings over frame.

**NOTE:** If vinyl bindings are too stiff, hold them in warm water for a few minutes. If bag gets wet, let it dry before using.

- Lift the rear door on the mower housing and place the grass catcher frame side hooks onto handle bracket hooks.
- The grass catcher is secured to the lawn mower housing when the rear door is lowered onto the grass catcher frame.

## TO ASSEMBLE CLIPPING DEFLECTOR (See Fig. 6)

- Install the deflector bar onto the clipping deflector with two (2) ea. #10-24 x 3/4" truss head screws, flat washers and locknuts as shown.
- Tighten securely.

## TO ATTACH CLIPPING DEFLECTOR (See Fig. 7)

- Lift rear door and install the clipping deflector bar legs into the slots of the handle support brackets as shown.
- When the rear door is lowered it will rest on the top of the clipping deflector and secure it to the mower housing.



**CAUTION:** Do not run your lawn mower without clipping deflector or approved grass catcher in place. Never attempt to operate the lawn mower with the rear door removed or propped open.

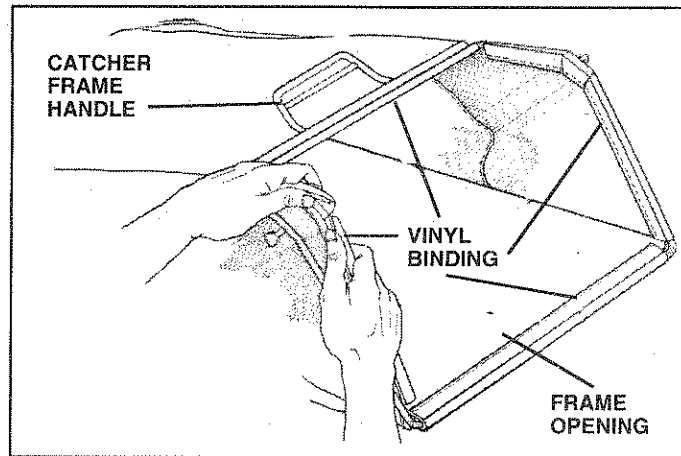


FIG. 4

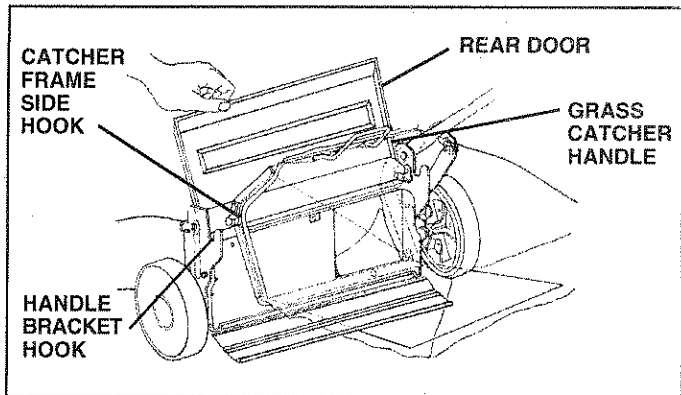


FIG. 5

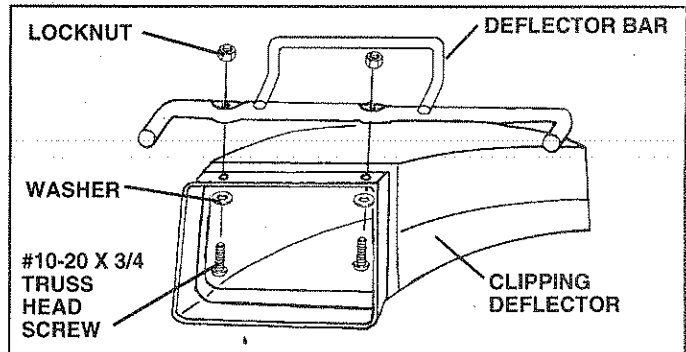


FIG. 6

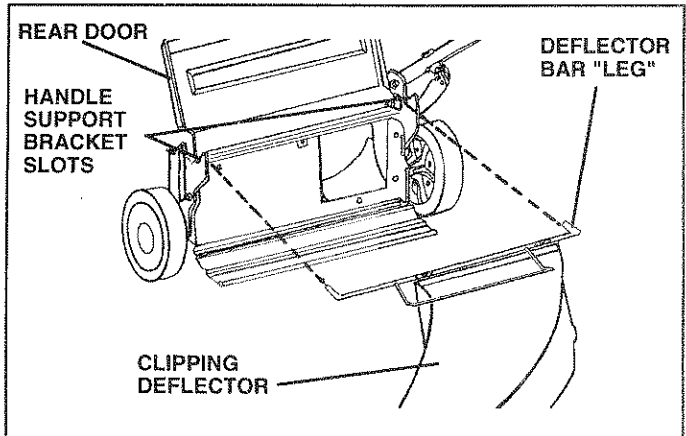


FIG. 7

# OPERATION

## KNOW YOUR LAWN MOWER

READ THIS OWNER'S MANUAL AND SAFETY RULES BEFORE OPERATING YOUR LAWN MOWER. Compare the illustrations with your lawn mower to familiarize yourself with the location of various controls and adjustments. Save this manual for future reference.

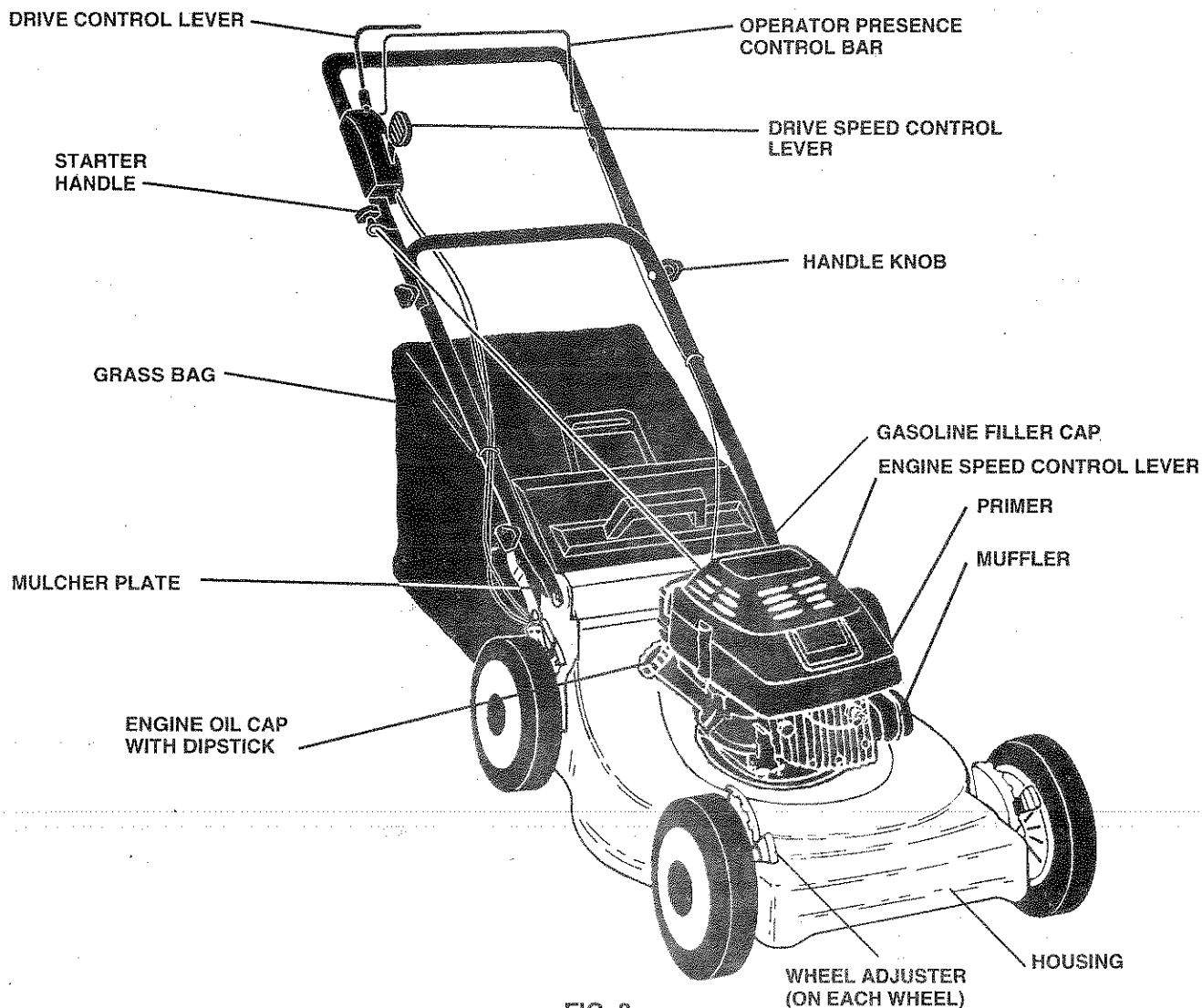


FIG. 8

## MEETS CPSC SAFETY REQUIREMENTS

Sears rotary walk-behind power lawn mowers conform to the safety standards of the American National Standards Institute and the U.S. Consumer Product Safety Commission. The blade turns when the engine is running.

**OPERATOR PRESENCE CONTROL BAR** - must be held down to the handle to start the engine. Release to stop the engine.

**ENGINE SPEED CONTROL LEVER** - located on the side of the engine which allows you to select either fast (🔊) or slow (🔇) engine speed.

**DRIVE SPEED CONTROL LEVER** - used to select the drive speed of your lawn mower.

**PRIMER** - pumps additional fuel from the carburetor to the cylinder for use when starting a cold engine.

**STARTER HANDLE** - used for starting the engine.

**DRIVE CONTROL LEVER** - used to engage power-propelled forward motion of lawn mower.

**MULCHER PLATE** - located at the discharge opening, must be removed when converting to bagging or discharging operation.

# OPERATION

## HOW TO USE YOUR LAWN MOWER

### ENGINE SPEED CONTROL (See Fig. 9)

The engine speed is controlled by a lever (red knob) located on the side of the engine. Fast (↻) position is for starting engine, normal cutting and better grass bagging. Slow (↻) position is for light cutting, trimming and fuel economy.

### ENGINE ZONE CONTROL



**CAUTION:** Federal regulations require an engine control to be installed on this lawn mower in order to minimize the risk of blade contact injury. Do not under any circumstances attempt to defeat the function of the operator control. The blade turns when the engine is running.

Your lawn mower is equipped with an operator presence control bar which requires the operator to be positioned behind the lawn mower handle to start and operate the lawn

### TO EMPTY GRASS CATCHER

(See Fig. 10)

- To remove grass catcher, release operator presence control bar to stop engine.
- Lift up rear door and remove the grass catcher by the handle.
- Empty by shaking catcher with open end downward.

**NOTE:** Do not drag the bag when emptying; it will cause unnecessary wear.

### TO ADJUST CUTTING HEIGHT (See Fig. 11)

- Raise wheels for low cut and lower wheels for high cut.
- Wheels are set in low cut for shipping. Adjust cutting height to suit your requirements. Medium position is best for most lawns.
- To change cutting height, squeeze adjuster lever toward wheel. Move wheel up or down to suit your requirements. Be sure all wheels are in the same setting.

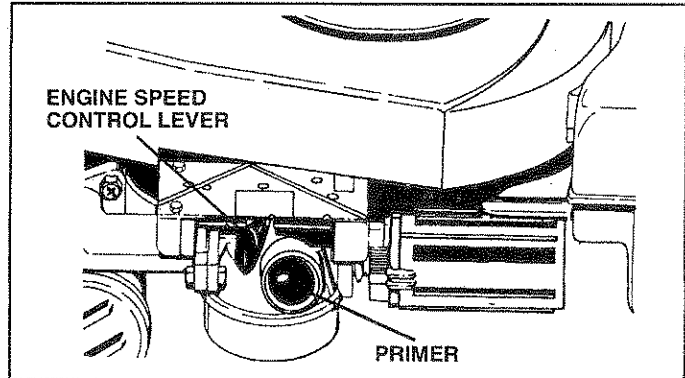


FIG. 9

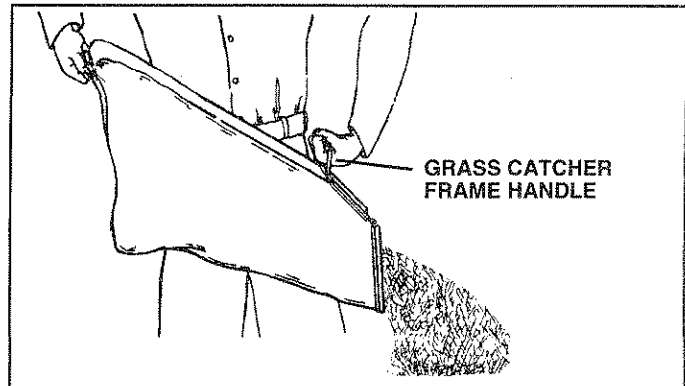


FIG. 10

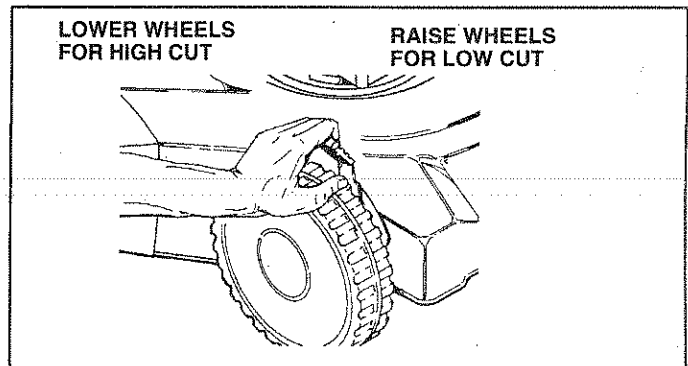


FIG. 11

# OPERATION

## GROUND DRIVE FOUR SPEEDS (See Fig. 12)

Your lawn mower provides four (4) speeds to let you select the speed that suits you best.

- The drive speed control lever can be changed while you are mowing.
- Speeds 1 and 2 are found when the engine speed control (red) lever is in low position.
- Speeds 1 and 2 are for slower, light grass cutting, trimming and quiet operation.
- Speeds 3 and 4 are found when the engine speed control (red) lever is in fast (↻) position.
- Speed 3 is for slow, heavy/thick grass cutting or trimming.
- Speed 4 is for normal cutting and bagging and for ground transport.

**IMPORTANT:** DO NOT ATTEMPT TO SHIFT SPEEDS WITH THE DRIVE BAR ENGAGED UNLESS THE ENGINE IS RUNNING.

## TO OPERATE DRIVE SYSTEM (See Fig. 13)

- Select ground speed by moving drive speed selector lever to 1-3 or 2-4 position and selecting either fast (↻) or slow (↻) engine speed.
- 1-3 is slower and 2-4 is faster.
- The ground speed may be selected either when standing or moving.
- To start forward motion, slowly pull up drive control bar to the handle.
- To slow or stop forward motion, let the drive control bar move forward away from handle.
- To stop forward motion release drive control bar.
- By slightly releasing the drive control bar the drive can be slowed or "feathered" so you may make turns around obstacles or at end of rows.
- If the drive is not pulling properly, the drive cable may need adjusting (See "TO ADJUST DRIVE CONTROL" in the Service and Adjustments section of this manual.) This adjustment may be required after 15 hours of use.

## BEFORE STARTING ENGINE OIL (See Fig. 14)

Your lawn mower is shipped without oil in the engine.

- Be sure mower is level and area around oil fill is clean.
- Remove engine oil cap w/dipstick and fill to the full line on the dipstick.
- Use 20 ozs. of oil. For type and grade of oil to use, see "ENGINE" in Customer Responsibilities section of this manual.
- Pour oil slowly. Do not over fill.
- Check oil level before each use. Add oil if needed. Fill to full line on dipstick.
- To read proper level, tighten engine oil cap each time.
- Reinstall engine oil cap and tighten.
- After the first two (2) hours of mowing, change the oil, and every 25 hours thereafter. You may need to change the oil more often under dusty, dirty conditions.

## GAS (See Fig. 14)

- Fill gasoline tank with fresh, clean, unleaded gasoline. **DO NOT USE PREMIUM GASOLINE. BE CAREFUL NOT TO OVER FILL TANK.**

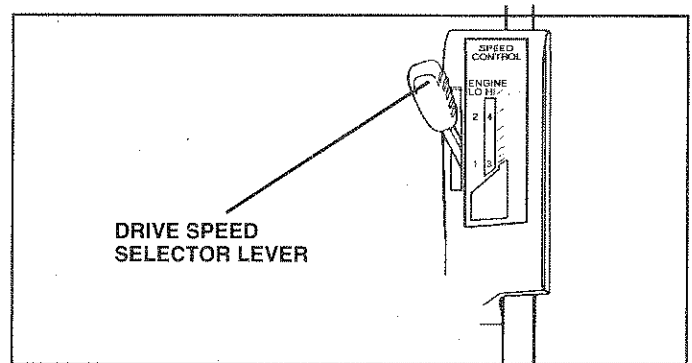


FIG. 12

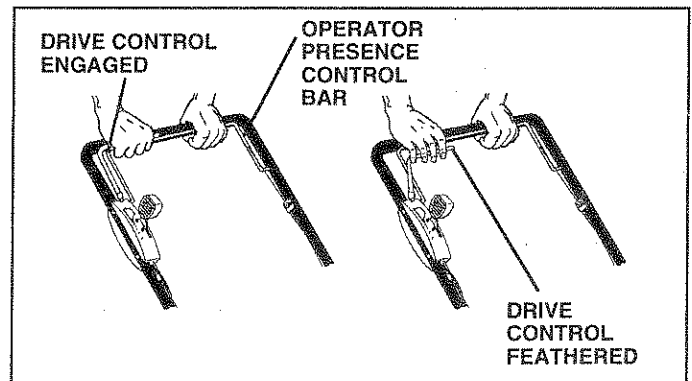


FIG. 13

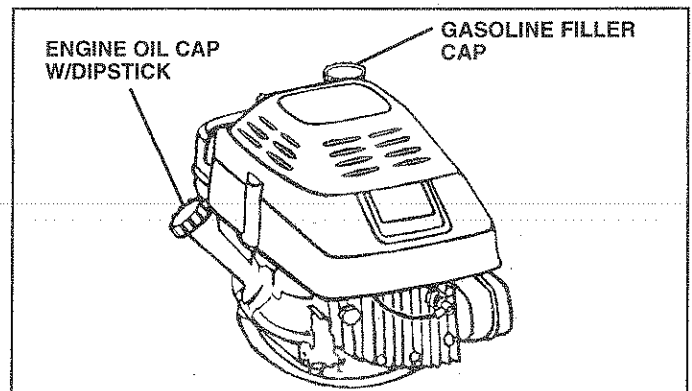


FIG. 14

**WARNING:** Experience indicates that alcohol blended fuels (called gasohol or using ethanol or methanol) can attract moisture which leads to separation and formation of acids during storage. Acidic gas can damage the fuel system of an engine while in storage. To avoid engine problems, the fuel system should be emptied before storage of 30 days or longer. Drain the fuel tank, start the engine and let it run until fuel lines and carburetor are empty. Use fresh fuel next season. See Storage Instructions for additional information. Never use engine or carburetor cleaner products in fuel tank or permanent damage may occur.

# OPERATION

## TO START ENGINE

- To start a cold engine, push primer five (5) times before trying to start. Use a firm push. This step is not usually necessary when starting an engine which has already run for a few minutes.
- Move engine speed control lever to fast (⚡) position.
- Hold operator presence control bar down to the handle and pull starter handle quickly. Do not allow starter rope to snap back.
- To stop engine, release operator presence control bar.

**NOTE:** In cooler weather it may be necessary to repeat priming steps. In warmer weather over priming may cause flooding and engine will not start. If you do flood engine wait a few minutes before attempting to start and do not repeat priming steps.

## MOWING TIPS

- Under certain conditions, such as very tall grass, it may be necessary to raise the height of cut to reduce pushing effort and to keep from overloading the engine and leaving clumps of grass clippings.
- For extremely heavy cutting, reduce the width of cut by overlapping previously cut path and mow slowly.
- For better grass bagging and most cutting conditions, the engine speed should be set in the fast (⚡) position.
- When using a rear discharge lawn mower in moist, heavy grass, clumps of cut grass may not enter the grass catcher. Reduce ground speed (pushing speed) and/or run the lawn mower over the area a second time.
- If a trail of clippings is left on the right side of a rear discharge mower, mow in a clockwise direction with a small overlap to collect the clippings on the next pass.
- Pores in cloth grass catchers can become filled with dirt and dust with use and catchers will collect less grass. To prevent this, regularly hose catcher off with water and let dry before using.
- Keep top of engine around starter clear and clean of grass clippings and chaff. This will help engine air flow and extend engine life.

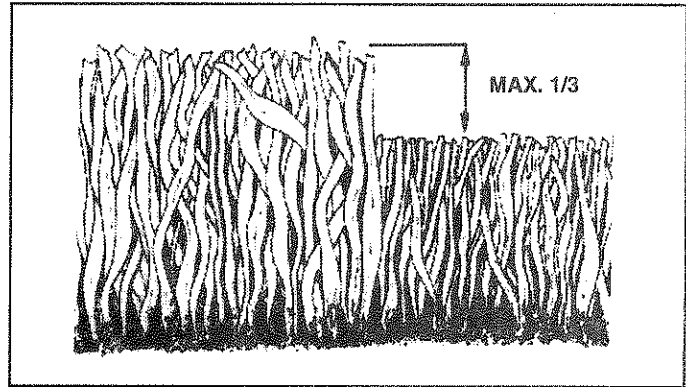


FIG. 15

## MULCHING MOWING TIPS

**IMPORTANT:** FOR BEST PERFORMANCE, KEEP MOWER HOUSING FREE OF BUILT-UP GRASS AND TRASH. SEE "CLEANING" IN CUSTOMER RESPONSIBILITIES SECTION OF THIS MANUAL.

- The special mulching blade will recut the grass clippings many times and reduce them in size so that as they fall onto the lawn they will disperse into the grass and not be noticed. Also, the mulched grass will biodegrade quickly to provide nutrients for the lawn. Always mulch with your highest engine (blade) speed as this will provide the best recutting action of the blades.
- Avoid cutting your lawn when it is wet. Wet grass tends to form clumps and interferes with the mulching action. The best time to mow your lawn is the early afternoon. At this time the grass has dried and the newly cut area will not be exposed to the direct sun.
- For best results, adjust the lawn mower cutting height so that the lawn mower cuts off only the top one-third of the grass blades (See Fig. 15). If the lawn is overgrown it will be necessary to raise the height of cut to reduce pushing effort and to keep from overloading the engine and leaving clumps of mulched grass. For extremely heavy mulching, reduce your width of cut by overlapping previously cut path and mow slowly.
- Certain types of grass and grass conditions may require that an area be mulched a second time to completely hide the clippings. When doing a second cut, mow across or perpendicular to the first cut path.
- Change your cutting pattern from week to week. Mow north to south one week then change to east to west the next week. This will help prevent matting and graining of the lawn.

# CUSTOMER RESPONSIBILITIES

MAINTENANCE SCHEDULE		SERVICE INTERVALS						SERVICE DATES					
		BEFORE EACH USE	AFTER EACH USE	FIRST 2 HOURS	EVERY 2 HOURS	EVERY 5 HOURS	EVERY 25 HOURS						
MOWER	Check for Loose Fasteners	✓						✓					
	Clean/Inspect Grass Catcher (If Equipped)	✓	✓					✓					
	Clean Lawn Mower	✓	✓					✓					
	Inspect/Clean Drive Wheels (Self-Propelled Mowers)	✓			✓								
	Sharpen/Replace Mower Blade					✓ <sup>3</sup>							
	Lubrication Chart					✓		✓					
	Clean Battery/Recharge (Electric Start Mowers)					✓		✓ <sup>4</sup>					
ENGINE	Check Engine Oil Level	✓		✓									
	Change Engine Oil		✓		✓ <sup>1,2</sup>								
	Clean Air Filter				✓ <sup>2</sup>								
	Inspect Muffler				✓								
	Replace Spark Plug							✓					
	Replace Air Filter Paper Cartridge							✓ <sup>2</sup>					

- 1 - Change more often when operating under a heavy load or in high ambient temperatures.
- 2 - Service more often when operating in dirty or dusty conditions.
- 3 - Replace blades more often when mowing in sandy soil.
- 4 - Charge 48 hours at end of season.

## GENERAL RECOMMENDATIONS

The warranty on this lawn mower does not cover items that have been subjected to operator abuse or negligence. To receive full value from the warranty, operator must maintain mower as instructed in this manual.

Some adjustments will need to be made periodically to properly maintain your unit.

All adjustments in the Service and Adjustments section of this manual should be checked at least once each season.

- Once a year, replace the spark plug, replace air filter element and check blade for wear. A new spark plug and clean/new air filter element assures proper air-fuel mixture and helps your engine run better and last longer.
- Follow the maintenance schedule in this manual.

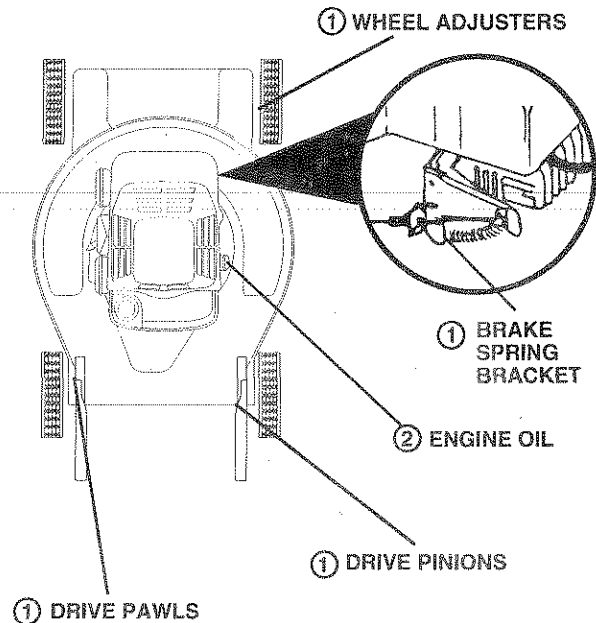
### BEFORE EACH USE

- Check engine oil level.
- Check for loose fasteners.

### LUBRICATION

Keep unit well lubricated (See "LUBRICATION CHART").

## LUBRICATION CHART



- ① SPRAY LUBRICANT
- ② REFER TO "CUSTOMER RESPONSIBILITIES" ENGINE SECTION.

**IMPORTANT:** DO NOT OIL OR GREASE PLASTIC WHEEL BEARINGS. VISCOUS LUBRICANTS WILL ATTRACT DUST AND DIRT THAT WILL SHORTEN THE LIFE OF THE SELF-LUBRICATING BEARINGS. IF YOU FEEL THEY MUST BE LUBRICATED, USE ONLY A DRY, POWERED GRAPHITE TYPE LUBRICANT SPARINGLY.

# CUSTOMER RESPONSIBILITIES

## LAWN MOWER

Always observe safety rules when performing any maintenance.

### TIRES

- Keep tires free of gasoline, oil, or insect control chemicals which can harm rubber.
- Avoid stumps, stones, deep ruts, sharp objects and other hazards that may cause tire damage.

### BLADE CARE

For best results, mower blade must be kept sharp. Replace bent or damaged blades.

TO REMOVE BLADE (See Fig. 16)

- Disconnect spark plug wire from spark plug and place wire where it cannot come in contact with spark plug.
- Turn lawn mower on its side. Make sure air filter and carburetor are up.
- Use a wood block between blade and mower housing to prevent blade from turning when removing blade bolt.
- Protect your hands with gloves and/or wrap blade with heavy cloth.
- Remove blade bolt by turning counter-clockwise. Use a 9/16" box or open-end wrench.
- Remove blade and attaching hardware (bolt, lock washer and hardened washer).

**NOTE:** Remove the blade adapter and check the key inside hub of blade adapter. The key must be in good condition to work properly. Replace adapter if damaged.

TO REPLACE BLADE (See Fig. 16)

- Position the blade adapter on the engine crankshaft. Be sure key in adapter and crankshaft keyway are aligned.
- Position blade on the blade adapter aligning the two (2) holes in the blade with the raised lugs on the adapter.
- Be sure the trailing edge of blade (opposite sharp edge) is up toward the engine.
- Install the blade bolt with the lock washer and hardened washer into blade adapter and crankshaft.
- Use block of wood between blade and lawn mower housing and tighten the blade bolt, turning clockwise.
- The recommended tightening torque is 35-40 ft. lbs.

**IMPORTANT:** BLADE BOLT IS GRADE 8 HEAT TREATED.

**NOTE:** We do not recommend sharpening blade - but if you do, be sure the blade is balanced.

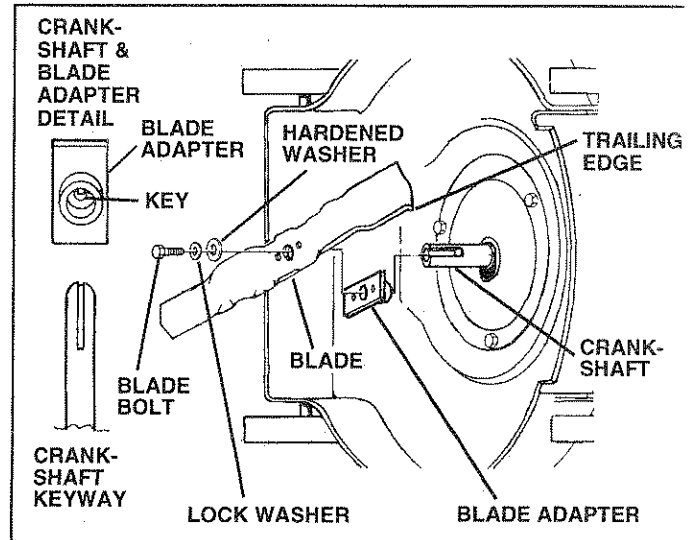


FIG. 16

TO SHARPEN BLADE

Care should be taken to keep the blade balanced. An unbalanced blade will cause eventual damage to lawn mower or engine.

- The blade can be sharpened with a file or on a grinding wheel. Do not attempt to sharpen while on the mower.
- To check blade balance, drive a nail into a beam or wall. Leave about one inch of the straight nail exposed. Place center hole of blade over the head of the nail. If blade is balanced, it should remain in a horizontal position. If either end of the blade moves downward, sharpen the heavy end until the blade is balanced.

### GRASS CATCHER

- The grass catcher may be hosed with water, but must be dry when used.
- Check your grass catcher often for damage or deterioration. Through normal use it will wear. If catcher needs replacing, replace only with a manufacturer approved replacement catcher. Give the lawn mower model number when ordering.

# CUSTOMER RESPONSIBILITIES

## DRIVE WHEELS (See Fig. 17)

Check rear drive wheels each time you mow to be sure they move freely. The wheels not turning freely means trash, grass cuttings, etc., may be inside the drive wheel and dust cover area and must be cleaned out to free drive wheels.

If necessary to clean the drive wheels, check both rear wheels.

- Remove hubcaps and locknuts.
- Remove wheels from wheel adjuster axles.
- Remove any trash or grass cuttings from inside the dust cover, pinion and/or drive wheel gear teeth.
- If you remove the drive pinions and pawls, be sure not to damage the pinion seal upon reinstalling the pinions. Clean and lubricate with grease before reinstalling. Refer to Fig. 18 for correct assembly of drive pawl.
- The pinion gear must be installed with the left gear on the left side and with the right gear on the right side, from an operator's view.
- The pinion gear is stamped with an "L" (left) or "R" (right) on the inside. If installed incorrectly, the drive system will not work.
- Place wheels back on adjuster axles.
- Replace locknuts and hubcaps.

**NOTE:** Pinions and drive pawls should be cleaned and lubricated with grease approximately every 25 hours or once a year.

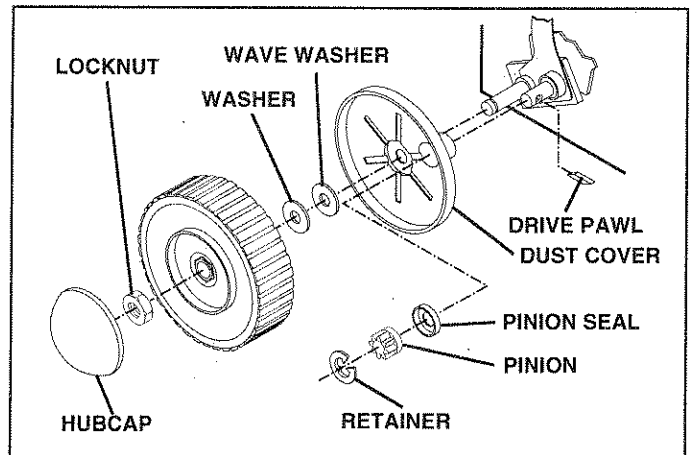


FIG. 17

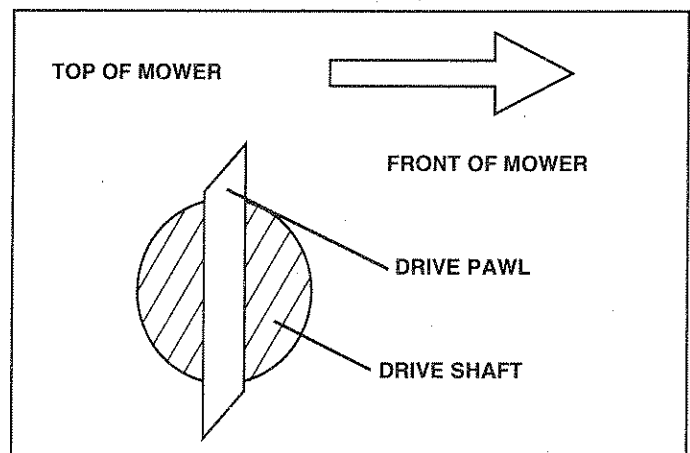
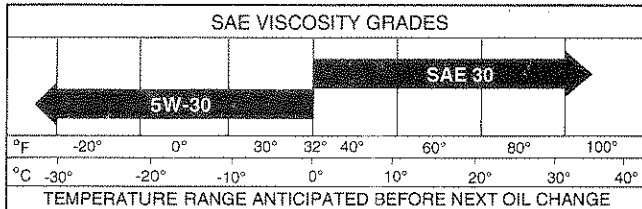


FIG. 18

# CUSTOMER RESPONSIBILITIES

## ENGINE LUBRICATION

Use only high quality detergent oil rated with API service classification SG. Select the oil's SAE viscosity grade according to your expected operating temperature.



**NOTE:** Although multi-viscosity oils (5W30, 10W30 etc.) improve starting in cold weather, these multi-viscosity oils will result in increased oil consumption when used above 32°F. Check your engine oil level more frequently to avoid possible engine damage from running low on oil.

Change the oil after the first two hours of operation and every 25 hours thereafter or at least once a year if the lawn mower is not used for 25 hours in one year.

Check the crankcase oil level before starting the engine and after each five (5) hours of continuous use. Tighten oil plug securely each time you check the oil level.

TO CHANGE ENGINE OIL (See Fig. 19)

- Disconnect spark plug wire from spark plug and place wire where it cannot come in contact with spark plug.
- Remove engine oil cap; lay aside on a clean surface.
- Tip lawn mower on its side and drain oil into a suitable container. Rock lawn mower back and forth to remove any oil trapped inside of engine.
- Wipe off any spilled oil on lawn mower and on side of engine.
- Fill engine with oil. Fill only to the "FULL" line on the dipstick. DO NOT OVER FILL.
- Replace engine oil cap.
- Reconnect spark plug wire to spark plug.

## AIR FILTER

Your engine will not run properly and may be damaged by using a dirty air filter.

Replace the air filter every year, more often if you mow in very dusty, dirty conditions. Do not wash air filter.

TO CHANGE AIR FILTER (See Fig. 20)

- Remove the air filter cover by turning counterclockwise to the stop and pull away from collar.
- Remove filter from inside of cover.
- Clean the inside of the cover and the collar to remove any dirt accumulation.
- Insert new filter into cover.
- Put air filter cover and filter into collar aligning the tab with the slot.
- Push in on cover and turn clockwise to tighten.

## MUFFLER

Inspect and replace corroded muffler as it could create a fire hazard and/or damage.

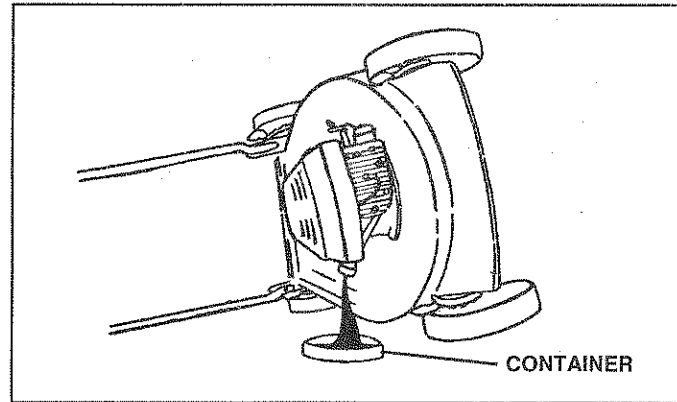


FIG. 19

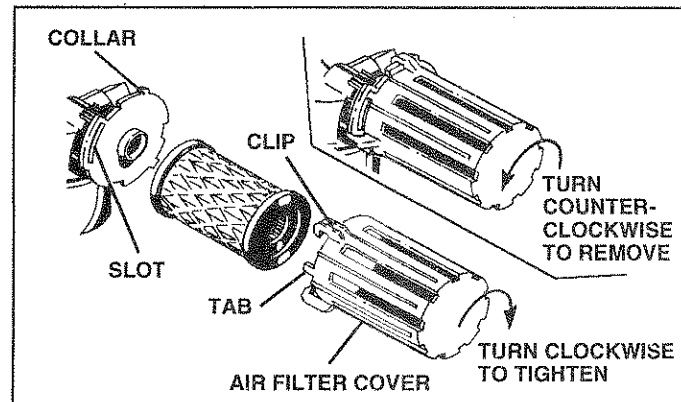


FIG. 20

## SPARK PLUG

Change your spark plug each year to make your engine start easier and run better. Set spark plug gap at .030 inch.

## CLEANING

**IMPORTANT:** FOR BEST PERFORMANCE, KEEP HOUSING FREE OF BUILT-UP GRASS AND TRASH. CLEAN THE UNDERSIDE OF YOUR MOWER AFTER EACH USE.



**CAUTION:** Disconnect spark plug wire from spark plug and place wire where it cannot come in contact with the spark plug.

- Turn lawn mower on its side. Make sure air filter and carburetor are up. Clean the underside of your lawn mower by scraping to remove build-up of grass and trash.
- Clean engine often to keep trash from accumulating. A clogged engine runs hotter and shortens engine life.
- Keep finished surfaces and wheels free of all gasoline, oil, etc.
- We DO NOT recommend using a garden hose to clean lawn mower unless the electrical system, muffler, air filter and carburetor are covered to keep water out. Water in engine can result in shortened engine life.

# SERVICE AND ADJUSTMENTS



## CAUTION: BEFORE PERFORMING ANY SERVICE OR ADJUSTMENTS:

- Release control bar and stop engine.
- Make sure the blade and all moving parts have completely stopped.
- Disconnect spark plug wire from spark plug and place where it cannot come in contact with plug.

## LAWN MOWER

### TO REMOVE/REPLACE DRIVE BELT (See Figs. 21-24)

- Lift rear door and remove grass bag. It will be helpful if you temporarily block the rear door open.
- Locate belt tension spring and spring retainer on back side of lawn mower.
- Lift the spring retainer upward and pull rearward so end of retainer slides into slot in access cover, releasing spring tension. Unhook spring retainer from end of spring and set aside.
- Remove plastic access cover by pushing down on its top surface to disengage top hooks - pull cover to rear and lift up.
- Turn lawn mower on its right side.
- Remove skirt rod, skirt, and drive shield.
- Loosen engine bolt holding belt snubber and slip belt off engine pulley.
- Tilt driven pulley and drive assembly rearward and slip belt from beneath belt keeper and off of driven pulley. Slip belt forward out of plastic baffle and over blade to remove.
- To install belt, slip belt over blade, push up under plastic baffle and slip under belt keeper onto driven pulley. Tilt drive assembly forward to allow belt to seat into engine pulley. Readjust engine pulley belt snubber and tighten bolt.
- Tilt driven pulley and drive assembly rearward and hold. Insert spring retainer through access cover slot and into back access opening to hook retainer onto spring end.
- While holding tension on the spring with the retainer, install access cover by placing lower tabs into position.
- Pull retainer out until end clears the access cover and pivot down to lock retainer in place.
- Reassemble drive shield, skirt and skirt rod.

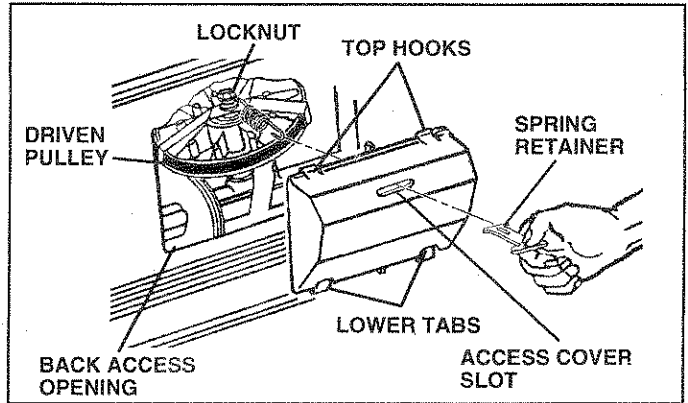


FIG. 22

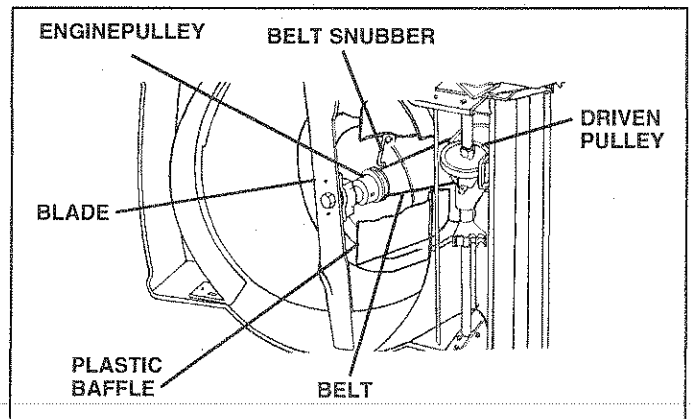


FIG. 23

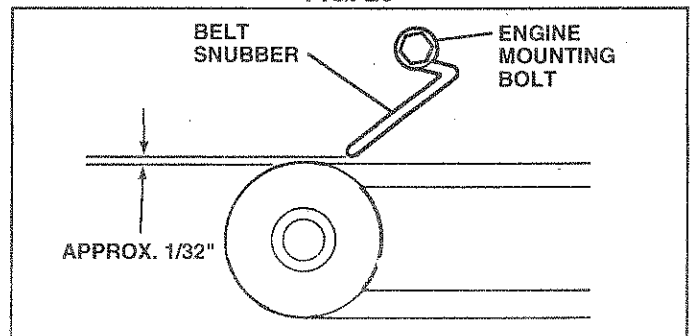


FIG. 24

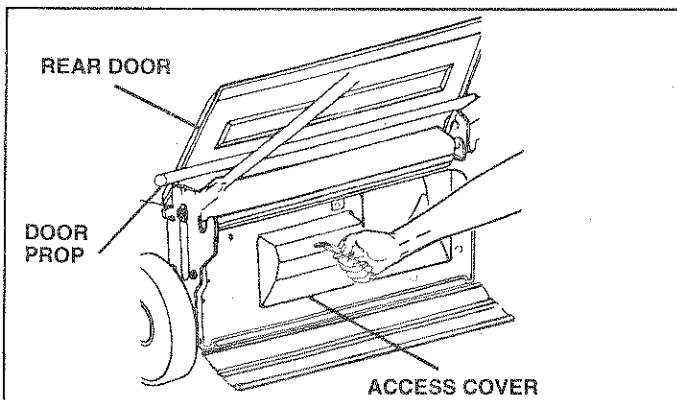


FIG. 21

# SERVICE AND ADJUSTMENTS

## TO ADJUST DRIVE CONTROL

(See Figs. 24-26)

- To check for proper adjustment of drive control, slowly pull down on the drive lever while pulling lawn mower backwards until rear wheels stop turning.
- When rear wheels stop turning, hold the drive lever and check the dimension as shown in Fig. 25.
- The drive control is properly adjusted when the measurement over the handle and drive lever is approximately 2-1/2". If the measurement is less than 3" adjust drive control cable.
- The drive control adjuster is the hex shaped fitting at the front of the drive speed control, where cable enters control box (See Fig. 26)
- To make the drive control adjustment, use a 5/16" wrench or pliers to turn the adjusting sleeve clockwise from operator position.
- This adjustment should be checked after approximately 25 hours of operation.
- If after several adjustments no further adjustment is left, the drive wheel must be replaced.

**NOTE:** Through normal use the drive wheel will wear.

- If you have problems making the described adjustments, contact your nearest authorized service center/department.

## DRIVE SPEED CONTROL RANGE

The speed control range is properly set at the factory and should not require additional adjustment. If you feel the speed adjustment is incorrect or speed control does not work properly contact your nearest authorized service center/department.

## REAR DEFLECTOR

The rear deflector, attached between the rear wheels of your lawn mower, is provided to minimize the possibility that objects will be thrown out of the rear of the lawn mower into the operator's mowing position.

If the rear deflector becomes damaged, it should be replaced.

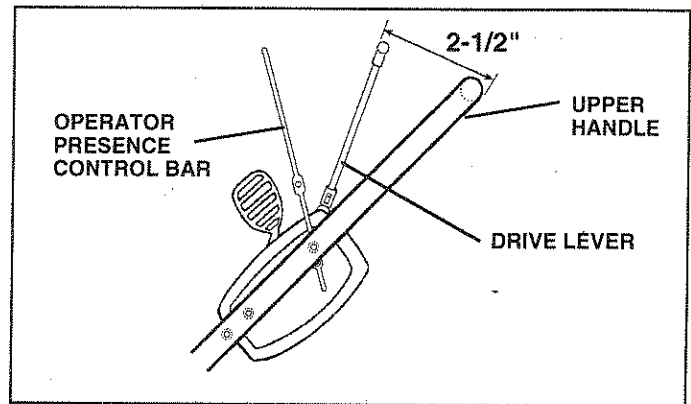


FIG. 25

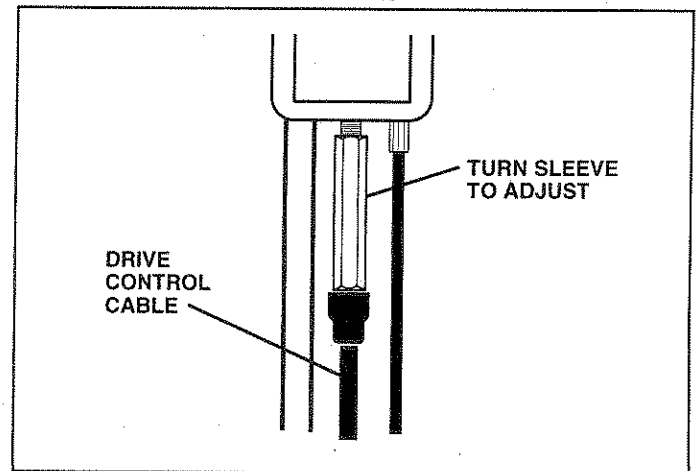


FIG. 26

# SERVICE AND ADJUSTMENTS

## TO ADJUST HANDLE (See Fig. 27)

The handle on your lawn mower has three (3) height positions - adjust to height that suits you.

- Remove knob and carriage bolt on one side of the lower handle.
- While holding handle assembly, remove knob and carriage bolt from opposite side, align hole in handle with desired hole in handle bracket and reassemble bolt and knob and tighten securely.
- Align opposite side of handle with same positioning hole and secure with bolt and knob.

## ENGINE CARBURETOR

Your carburetor has a non-adjustable fixed main jet for mixture control. If your engine does not operate properly due to suspected carburetor problems, take your lawn mower to an authorized service center/department for repair and/or adjustment.

## ENGINE SPEED

Your engine speed has been factory set. Do not attempt to increase engine speed or it may result in personal injury. If you believe that your engine is running too fast or too slow, take your lawn mower to an authorized service center/department for repair and/or adjustment.

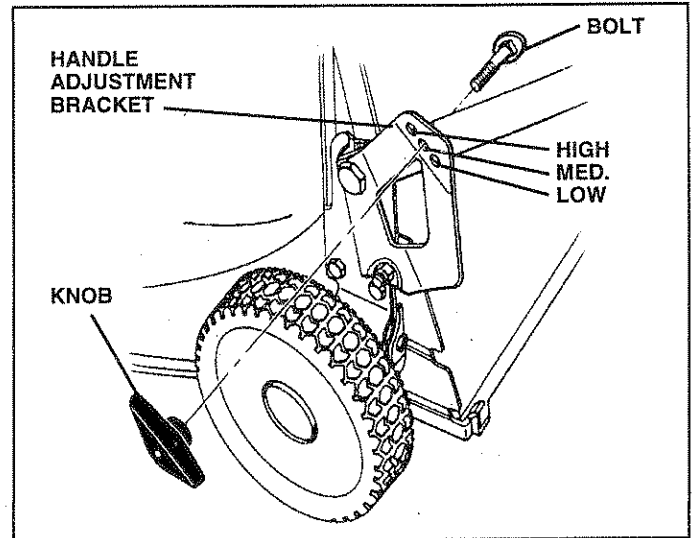


FIG. 27

# STORAGE

Immediately prepare your lawn mower for storage at the end of the season or if the unit will not be used for 30 days or more.

## LAWN MOWER

When lawn mower is to be stored for a period of time, clean it thoroughly, remove all dirt, grease, leaves, etc. Store in a clean, dry area.

- Clean entire lawn mower (See "CLEANING" in the Customer Responsibilities section of this manual).
- Lubricate as shown in the Customer Responsibilities section of this manual.
- Be sure that all nuts, bolts, screws, and pins are securely fastened. Inspect moving parts for damage, breakage and wear. Replace if necessary.
- Touch up all rusted or chipped paint surfaces; sand lightly before painting.

## HANDLE (See Fig. 28)

- You can fold your lawn mower handle for storage.
- Loosen the two (2) handle knobs on sides of the upper handle and allow handle to fold down to the rear.
- Remove the two (2) handle knobs and carriage bolts on sides of the lower handle and pivot entire handle assembly forward and allow it to rest on mower.
- Reinstall knobs and carriage bolts to lower handle or handle brackets for safe keeping.
- When setting up your handle from the storage position, the lower handle will require manually locking into the mowing position.

**IMPORTANT:** WHEN FOLDING THE HANDLE FOR STORAGE OR TRANSPORTATION, BE SURE TO FOLD THE HANDLE AS SHOWN OR YOU MAY DAMAGE THE CONTROL CABLES.

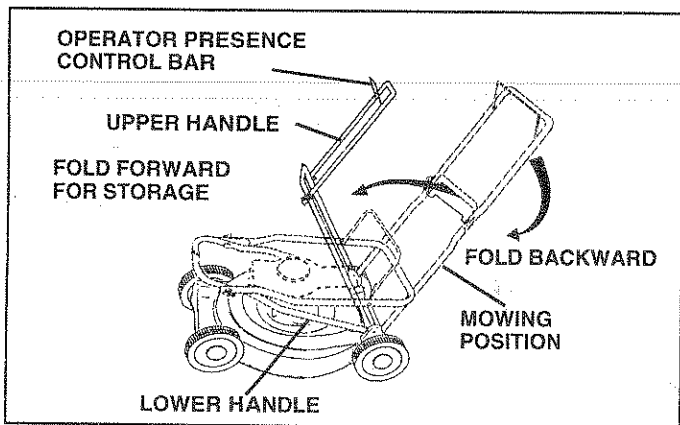


FIG. 28

## ENGINE FUEL SYSTEM

**IMPORTANT:** IT IS IMPORTANT TO PREVENT GUM DEPOSITS FROM FORMING IN ESSENTIAL FUEL SYSTEM PARTS SUCH AS CARBURETOR, FUEL FILTER, FUEL HOSE, OR TANK DURING STORAGE. ALSO, EXPERIENCE INDICATES THAT ALCOHOL BLENDED FUELS (CALLED GASOHOL OR USING ETHANOL OR METHANOL) CAN ATTRACT MOISTURE WHICH LEADS TO SEPARATION AND FORMATION OF ACIDS DURING STORAGE. ACIDIC GAS CAN DAMAGE THE FUEL SYSTEM OF AN ENGINE WHILE IN STORAGE.

- Drain the fuel tank.
- Start the engine and let it run until the fuel lines and carburetor are empty.
- Never use engine or carburetor cleaner products in the fuel tank or permanent damage may occur.
- Use fresh fuel next season.

**NOTE:** Fuel stabilizer is an acceptable alternative in minimizing the formation of fuel gum deposits during storage. Add stabilizer to gasoline in fuel tank or storage container. Always follow the mix ratio found on stabilizer container. Run engine at least 10 minutes after adding stabilizer to allow the stabilizer to reach the carburetor. Do not drain the gas tank and carburetor if using fuel stabilizer.

## ENGINE OIL

Drain oil (with engine warm) and replace with clean engine oil. (See "ENGINE" in the Customer Responsibilities section of this manual).

## CYLINDER

- Remove spark plug.
- Pour one ounce (29 ml) of oil through spark plug hole into cylinder.
- Pull starter handle slowly a few times to distribute oil.
- Replace with new spark plug.

## OTHER

- Do not store gasoline from one season to another.
- Replace your gasoline can if your can starts to rust. Rust and/or dirt in your gasoline will cause problems.
- If possible, store your unit indoors and cover it to give protection from dust and dirt.
- Cover your unit with a suitable protective cover that does not retain moisture. Do not use plastic. Plastic cannot breathe which allows condensation to form and will cause your unit to rust.

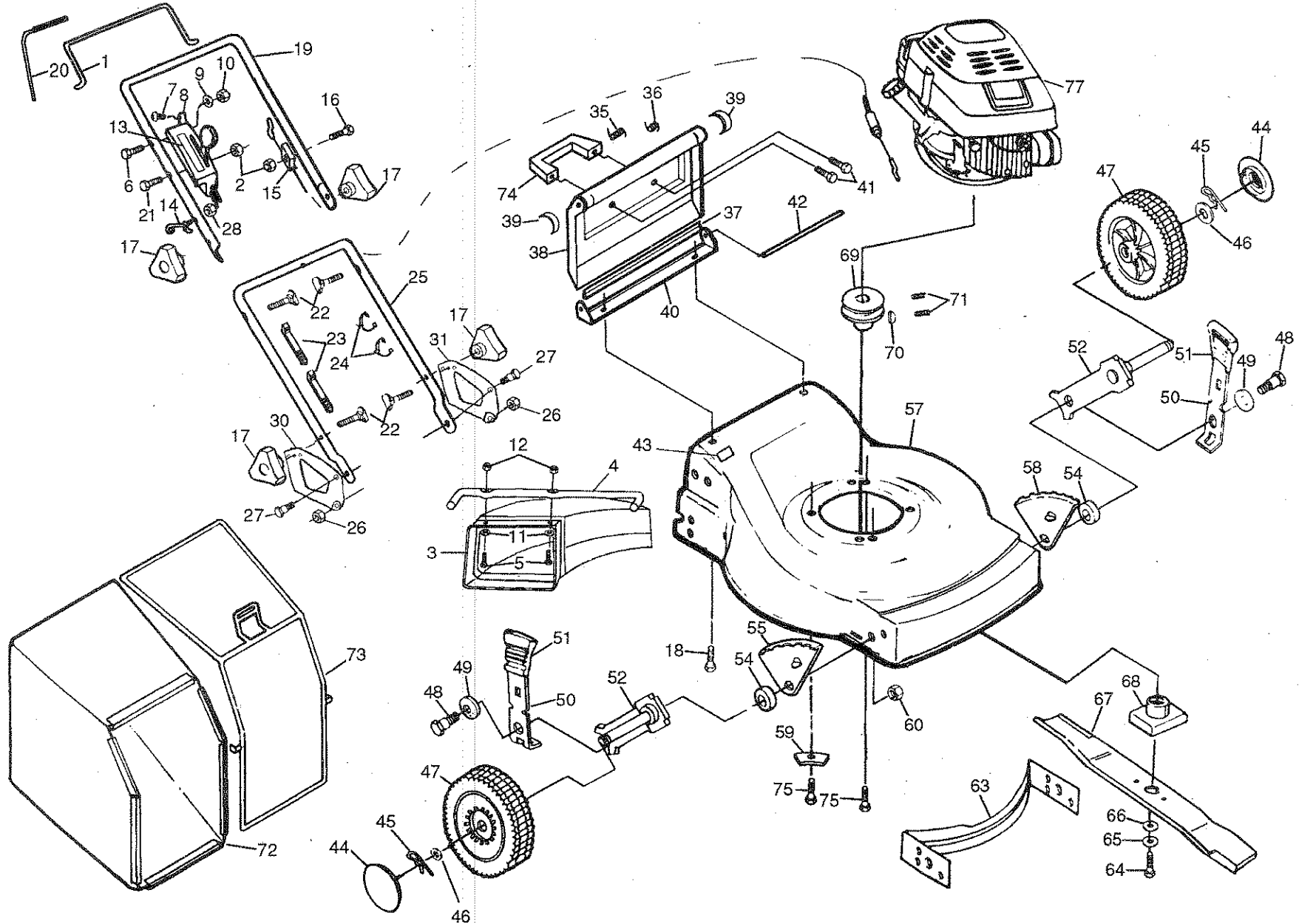
**IMPORTANT:** NEVER COVER MOWER WHILE ENGINE AND EXHAUST ARE STILL WARM.



**CAUTION:** Never store the lawn mower with gasoline in the tank inside a building where fumes may reach an open flame or spark. Allow the engine to cool before storing in any enclosure.

# REPAIR PARTS

CRAFTSMAN 22" ROTARY LAWN MOWER- -MODEL NO. 917.373491



20

# REPAIR PARTS

## CRAFTSMAN 22" ROTARY LAWN MOWER- -MODEL NO. 917.373491

KEY NO.	PART NO.	DESCRIPTION
1	700618	Operator Presence Control Bar
2	STD541425	Locknut 1/4-20
3	701539	Clipping Deflector
4	851625	Deflector Bar
5	86536	Truss Head Screw #10-24 x 3/4
6	851185	Machine Screw 1/4 x 2-1/2
7	701036	Screw #6-32 x 1/2
8	701275	Rear Disc Drive Assembly Control
9	701050	Spacer
10	132004	Locknut 1/4-20
11	52784	Washer
12	69180	Locknut #10-24
13	751266	Speed Control Decal
14	132001	Rope Guide
15	701162	Engine Zone Control Cable
16	74350424	Hex Head Screw 1/4-20 x 1-1/2
17	87692	Handle Knob
18	54583	Hex Tapping Screw 1/4-20 x 1/2
19	132670X479	Upper Handle
20	700619	Drive Control Lever w/Grip
21	86055	Screw 1/4-20 x 2-1/4
22	131959	Handle Bolt 5/16-18 x 1-3/4
23	66426	Wire Tie
24	85827	Cable Clip
25	750579X479	Lower Handle
26	STD541431	Locknut 5/16-18
27	752183X	Shoulder Bolt
28	73510400	Locknut 1/4-20
30	752100X479	Handle Link (Right)
31	752102X479	Handle Link (Left)
35	750619	Spring (Right)
36	750620	Spring (Left)
37	128554	Seal Extrusion
38	750674	Rear Door
39	851639	Seal
40	750672X479	Hinge Bracket
41	851552	Pan Head Hi Lo Screw #10-16 x 1/2
42	752295	Hinge Rod
43	85463	Danger Decal
44	77400	Hubcap
45	85179	Retainer Clip

KEY NO.	PART NO.	DESCRIPTION
46	52160	Washer
47	132646	Wheel & Tire Assembly
48	84921	Shoulder Bolt
49	62335	Belleville Washer
50	850862X004	Selector Spring
51	132800	Selector Knob
52	87886X004	Axle Arm Assembly
54	84920	Spacer
55	132512	Wheel Adjusting Bracket (Right)
57	48361	Lawn Mower Housing (Incl. Key #43,63)
58	132513	Wheel Adjusting Bracket (Left)
59	851201X004	Engine Washer
60	751592	Locknut 3/8-16
63	700869X479	Front Baffle
64	851084	Hex Head Screw 3/8-24 x 1-3/8 (Grd. 8)
65	850263	Helical Lockwasher 3/8
66	851074	Hardened Washer
67	752234	22" Blade
68	851514	Blade Adapter
69	85543	Engine Pulley
70	87677	Hi-Pro Key
71	STD502502	Set Screw 1/4-20 x 5/16
72	701558	Grass Bag
73	750675	Catcher Frame
74	750621	Door Handle
75	850998	Hex Head Thread Rolling Screw 3/8-16 x 1-1/8
77	700528	Engine - Craftsman Model No. 143.434032
--	131986	Housing Decal "4 Speed Rear Drive"
--	701696	Owner's Manual

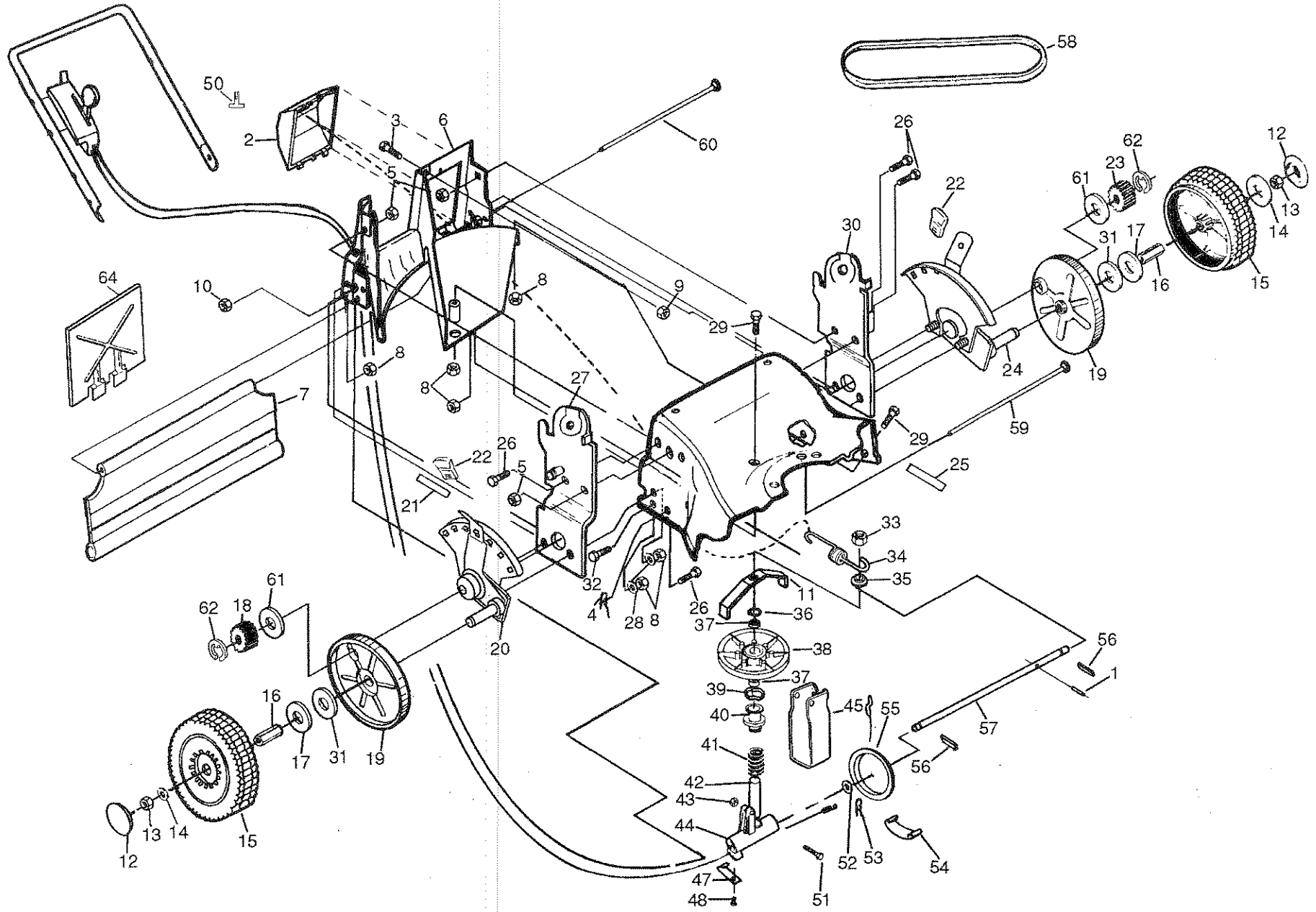
Available accessories not included with lawn mower:

<u>71</u>	33623	Gas Can (2.5 gal.)
<u>71</u>	33500	Fuel Stabilizer
<u>71</u>	33300	SAE 30W Oil (20 oz.)
<u>71</u>	33417	Dust Shield
<u>71</u>	33316	Mower Cover

# REPAIR PARTS

## CRAFTSMAN 22" ROTARY LAWN MOWER - MODEL NO. 917.373491

22

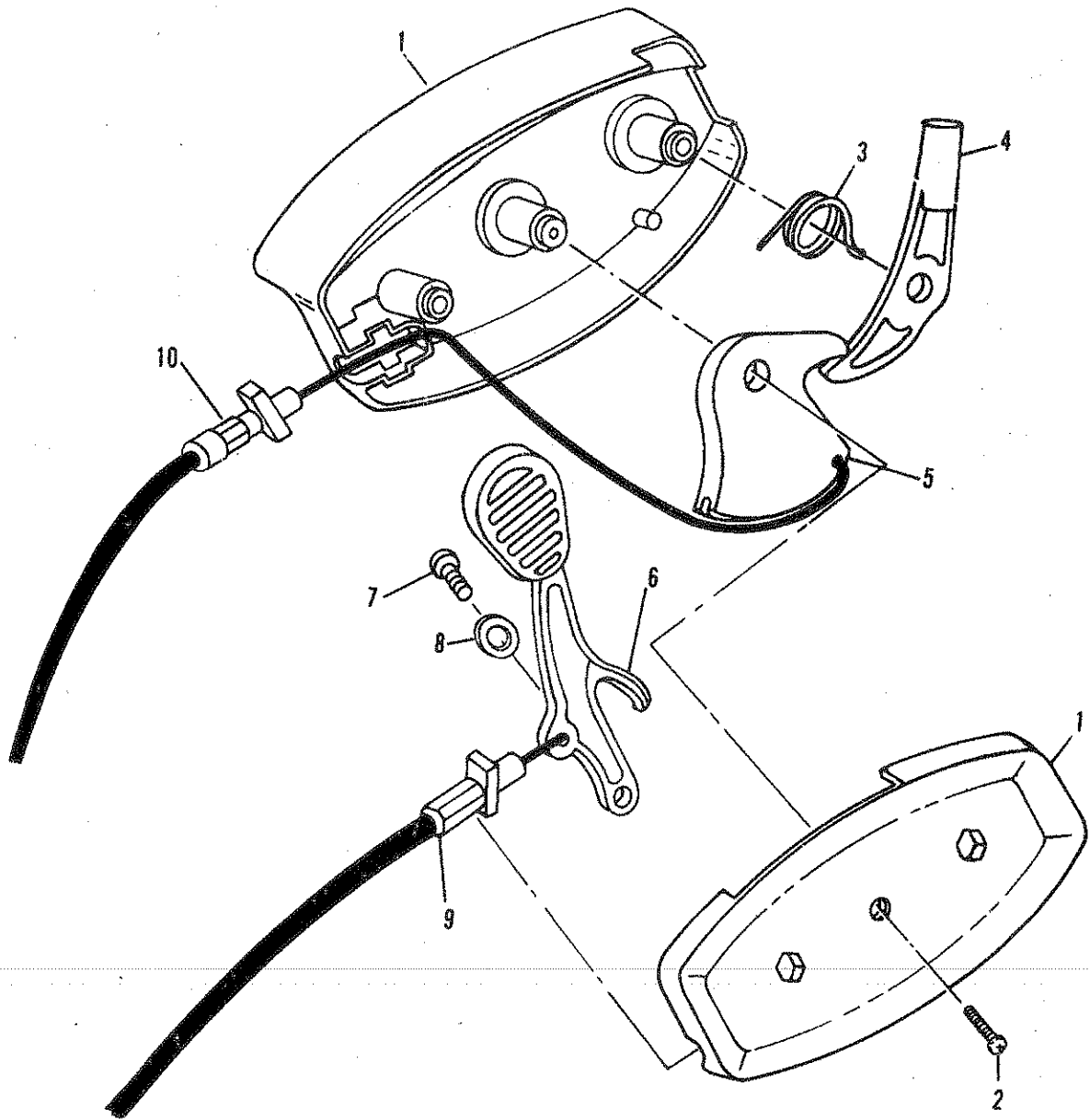


# REPAIR PARTS

## CRAFTSMAN 22" ROTARY LAWN MOWER- -MODEL NO. 917.373491

KEY NO.	PART NO.	DESCRIPTION
1	851980	Drive Pawl
2	752036	Access Door
3	71191012	Hex Washer Head Screw #10-24 x 7/16
4	700279	Retainer Clip
5	751153	Locknut 5/16-18
6	133976	Back Plate/Baffle
7	750996	Rear Deflector
8	88349	Locknut 1/4-20
9	74189	Locknut #10-24
10	69180	Locknut #10-24
11	752170X004	Belt Keeper
12	77400	Hubcap
13	83923	Flanged Hex Locknut 3/8-16
14	61537	Washer
15	132965	Wheel & Tire Assembly
16	88446	Wheel Bushing
17	67725	Washer
18	752258	Pinion (Right)
19	750734	Dust Cover
20	132214	Wheel Adjuster Assembly (Right)
21	132958	Seven Position Decal (Right)
22	132800	Selector Knob
23	752259	Pinion (Left)
24	132216	Wheel Adjuster Assembly (Left)
25	132959	Seven Position Decal (Left)
26	72070506	Carriage Bolt 5/16-18 x 3/4
27	133060	Handle Bracket Assembly (Right)
28	53847	Flat Washer 1/4
29	72140405	Carriage Bolt 1/4-20 x 5/8 (Grd. 5)
30	133061	Handle Bracket Assembly (Left)
31	751658	Wave Washer

KEY NO.	PART NO.	DESCRIPTION
32	50705	Hex Head Screw 1/4-20 x 5/8
33	750253	Locknut 5/16-18
34	751888	Drive Spring
35	750892	Spacer
36	12000028	Retaining Ring
37	751991	Bearing
38	750684	Pulley
39	751659	Wave Washer
40	750680	Stand-Off
41	750834	Compression Spring
42	750679	Oillite Bearing
43	69180	Locknut #10-24
44	48292	Drive Housing Kit
45	752007X004	Rocker Arm
47	750682X004	Clamp
48	84026	Hex Head Screw #10-24 x 1/2
50	752027X004	Drive Spring Retainer
51	751996	Shoulder Bolt
52	52160	Washer
53	STD560607	Cotter Key
54	751581	Shield
55	750688	Friction Wheel Assembly
56	850018	Drive Pawl
57	48308	Drive Shaft Kit
58	752035	Drive Belt
59	750841	Hinge Rod
60	128875	Skirt Rod
61	751999	Pinion Seal
62	12000057	E-Ring 7/16
64	133170X479	Mulcher Plate



KEY NO.	PART NO.	DESCRIPTION
1	48356	Control Head Kit (Incl. Ref. #2)
2	751837	Plastite Screw #8 x 7/8
3	751834	Torsion Spring
4	701599	Drive Actuator
5	751829	Drive Pulley
6	701100	Speed Lever
7	751831	Lever Mounting Plastite Screw #4 x 5/8
8	751840	Washer 1/8 x 3/8
9	128218	Speed Cable Assembly
10	128219	Drive Cable Assembly



# CRAFTSMAN 4-CYCLE ENGINE

MODEL NUMBER 143.434032

REF NO.	PART NO.	DESCRIPTION	REF NO.	PART NO.	DESCRIPTION
1	36265	Cylinder Assy. (Includes #2, 9 & 20)	166	35827	Shroud, Engine
2	26727	Pin, Dowel	169	27234A	* Gasket, Valve Spring Box
6	33734	Element, Breather	172	32755	Cover, Valve Spring Box
7	34214A	Breather Assembly (Includes Reference #6, 8, 9, 12A and 12B)	174	650128	Screw, Sems, Hex #10-24 x 1/2
8	33735	* Gasket, Breather	178	29752	Nut and Lock Washer 1/4-28
9	30200	Screw, Sems, Hex Washer Head, Self-Tapping #10-24 x 9/16	182	6201	Screw, Hex Cap Head 1/4-28 x 7/8
12A	33886	Tube, Breather	184	26756	* Gasket, Carburetor
12B	34695	Elbow, Breather Tube	185	31384A	Pipe, Intake (Includes Ref. #224)
14	28277	Washer, Flat	186	34337	Link, Governor Spring
15	30589	Rod, Governor (Includes Ref. #14)	189	650839	Screw, Sems, Hex Head, Powerlok 1/4-20 x 3/8
16	31383A	Lever, Governor	190	35831	Lever, Brake
17	31335	Clamp Governor Lever	191	35039B	Bracket, S.E. Brake (Includes #195)
18	650548	Screw, Hex Wash. Hd. #8-32 x 5/16	192	34966	Link, Control
19	36281	Spring, Extension	193	34965	Spring, Extension
20	32600	Seal, Oil	194	32309	Ring, Retaining
30	35996	Crankshaft Assembly	195	610973	Terminal Assembly
40	36073	Piston, Pin & Ring Assembly, Std.	200	35727	Bracket Assembly, Control (Includes Reference #202 thru 205)
	36074	Piston, Pin & Ring Assy., .010 Over	202	33802	Spring, Compression
	36075	Piston, Pin & Ring Assy., .020 Over (Assemblies Include #41, 42 and 43)	203	31342	Spring, Compression
41	36070	Piston & Pin Assembly, Std.	204	650549	Screw, Fillister Head #5-40 x 7/16
	36071	Piston & Pin Assembly .010 Over	205	650777	Screw, Fillister Head #6-32 x 21/32
	36072	Piston & Pin Assembly .020 Over (Assemblies Include Reference #43)	207	34336	Link, Throttle
42	36076	Ring Set, Piston, Standard Size	215	35511	Knob, Control
	36077	Ring Set, Piston .010 Oversize	223	650451	Screw, Sems, Hex Head 1/4-20 x 1
	36078	Ring Set, Piston .020 Oversize	224	34690A	* Gasket, Intake Pipe
43	20381	Ring, Piston Pin Retaining	238	650932	Screw, Hex Washer Head, Shoulder #10-32 x 49/64
45	30963B	Rod Assy., Connecting (Incl. #46)	239	34338	* Gasket, Air Cleaner
46	32610A	Bolt, Connecting Rod	241	35797	Collar, Air Cleaner
48	27241	Valve, Lifter	245	35066	Filter, Air Cleaner, Paper
50	35992	Camshaft (Mech. Comp. Release)	250	35065	Cover, Air Cleaner
52	29914	Pump Assembly, Oil	260	35826	Housing, Blower
69	35261	* Gasket, Mounting Flange	262	650831	Screw, Hex Washer Head, Powerlok Thread 1/4-20 x 15/32
70	34311D	Flange, Mounting (Incl. #72, 75, 80)	263	35821	Grill Assembly, Recoil
72	36083	Plug, Oil Drain	275	34613	Muffler Assembly (Includes #277)
75	27897	Seal, Oil	276	33753	Plate, Lock
80	30574A	Shaft, Governor	277	650795	Screw, Hex Head 1/4-20 x 2-1/4
81	30590A	Washer, Flat	285	35000	Hub, Starter
82	30591	Gear Assy., Governor (Incl. #81)	287	650926	Screw, Hex Washer Hd. #8-32 x 1/2
83	30588A	Spool, Governor	290	34357	Line, Fuel
86	650488	Screw, Sems, Hex 1/4-20 x 1-1/4	292	26460	Clamp, Fuel Line
89	611004	Key, Flywheel	300	35586	Tank Assembly (Incl. #292 & 301)
90	611109	Flywheel	301	35355	Cap, Fuel
92	650815	Washer, Belleville	305	35819A	Tube, Oil Fill (Includes Ref. # 309)
93	650816	Nut, Flywheel	306	34265	* Gasket, Fill Tube
100	34443A	Solid State Assembly	307	35499	"O" Ring
101	610118	Cover, Spark Plug	309	650936	Screw, Hex Washer Head, Shoulder #10-32 x 13/32
103	650814	Screw, Sems, Torx T-15, Hex Washer Head #10-24 x 1	310	35822	Dipstick, Oil Fill
110	34961	Wire, Ground	313	34080	Spacer, Flywheel Key
119	33554A	* Gasket, Cylinder Head	347	650898	Screw, Hex Washer Head, Shoulder #10-32 x 27/32
120	34342	Head, Cylinder	370	35840	Decal, Name
125	29313C	Valve, Exhaust, Standard Size	370C	35167	Decal, Instruction
	29315C	Valve, Exhaust, 1/32" Oversize	380	632644	Carburetor (Includes Ref. #184)
126	29314B	Valve, Intake, Standard Size	390	590637	Starter, Rewind
	29315C	Valve, Intake, 1/32" Oversize (All Valves Include Reference #151)	400	35997	Gasket Set (Incl. Items Marked *)
130	6021A	Screw, Hex Flange 5/16-18 x 1-1/2			
135	35395	Spark Plug, Resistor Type (Champion RJ-19LM or Equivalent)			
150	35991	Spring, Valve			
151	31673	Cap, Lower Valve Spring			

RPM Setting: Low Speed: 2450-2750, High: 2900-3200

\* Indicates Parts Included in Gasket Set, Ref. #400

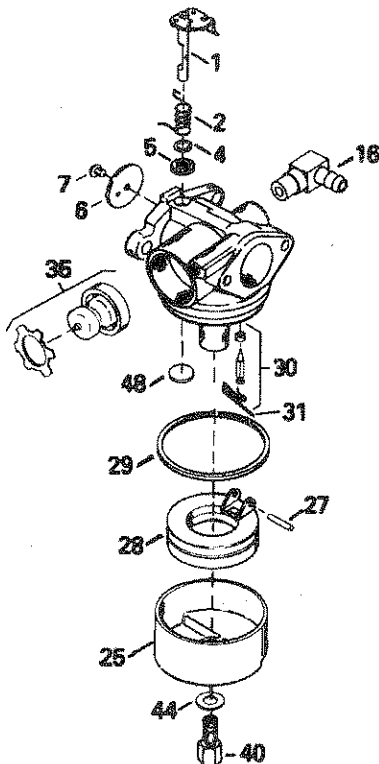
NOTE: All component dimensions given in U.S. inches  
1 inch = 25.4 mm



# CRAFTSMAN 4-CYCLE ENGINE

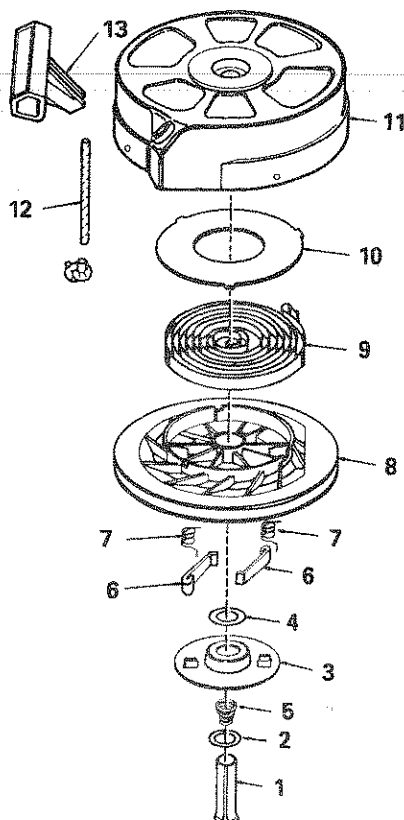
MODEL NUMBER 143.434032

CARBURETOR NO. 632644



REF PART NO.	NO.	DESCRIPTION
1	631615	Throttle Shaft and Lever Assembly
2	631767	Throttle Return Spring
4	631184	Dust Seal Washer, Throttle
5	631183	Dust Seal, Throttle
6	632590	Throttle Shutter
7	650506	Throttle and Choke Shutter Screw
16	632527	Fuel Fitting
25	631867	Float Bowl
27	631024	Shaft, Float
28	632019	Float
29	631028	"O" Ring, Float Bowl to Body
30	631021	Inlet Needle, Seat and Clip (Includes Reference Number 31)
31	631022	Spring Clip
35	36045	Primer Bulb/Retainer Ring
40	632578	High Speed Bowl Nut
44	27110	Bowl Nut Washer
48	631027	Welch Plug, Atmospheric Vent

REWIND STARTER NO. 590637



REF PART NO.	NO.	DESCRIPTION
--	590637	Starter, Rewind
1	590599A	Pin, Spring (Includes Reference #4)
2	590600	Washer
3	590615	Retainer
4	590601	Washer
5	590598	Spring, Brake
6	590616	Dog, Starter
7	590617	Spring, Dog
8	590618	Pulley
9	590619	Spring, Rewind
10	590620	Cover, Spring
11	590638	Housing Assembly, Starter
12	590535	Rope, Starter (98" Long, 9/64" Dia.)
13	590452	Handle, Starter

**NOTE:** All component dimensions given in U.S. inches  
1 inch = 25.4 mm

# TROUBLESHOOTING POINTS

PROBLEM	CAUSE	CORRECTION
Does not start	<ol style="list-style-type: none"> <li>1. Dirty air filter.</li> <li>2. Out of fuel.</li> <li>3. Stale fuel.</li> <li>4. Water in fuel.</li> <li>5. Spark plug wire is disconnected.</li> <li>6. Bad spark plug.</li> <li>7. Loose blade or broken blade adapter.</li> <li>8. Control bar in released position</li> <li>9. Control bar defective</li> </ol>	<ol style="list-style-type: none"> <li>1. Clean/replace air filter.</li> <li>2. Fill fuel tank.</li> <li>3. Drain tank and refill with fresh clean fuel.</li> <li>4. Drain fuel tank and carburetor and refill tank with fresh gasoline.</li> <li>5. Connect wire to plug.</li> <li>6. Replace spark plug.</li> <li>7. Tighten blade bolt or replace blade adapter.</li> <li>8. Depress control bar to handle.</li> <li>9. Replace control bar.</li> </ol>
Loss of power	<ol style="list-style-type: none"> <li>1. Rear of lawn mower housing/blade dragging in heavy grass.</li> <li>2. Cutting too much grass.</li> <li>3. Dirty air filter.</li> <li>4. Buildup of grass, leaves and trash under mower.</li> <li>5. Too much oil in engine.</li> <li>6. Walking speed too fast.</li> </ol>	<ol style="list-style-type: none"> <li>1. Set in "Higher Cut" position.</li> <li>2. Set in "Higher Cut" position.</li> <li>3. Clean/replace air filter.</li> <li>4. Clean underside of mower housing.</li> <li>5. Check oil level.</li> <li>6. Cut at slower walking speed.</li> </ol>
Poor cut - uneven	<ol style="list-style-type: none"> <li>1. Worn, bent or loose blade.</li> <li>2. Low engine speed.</li> <li>3. Buildup of grass, leaves, and trash under mower.</li> </ol>	<ol style="list-style-type: none"> <li>1. Replace blade. Tighten blade bolt.</li> <li>2. Set engine speed control in fast position.</li> <li>3. Clean underside of mower housing.</li> </ol>
Excessive vibration	<ol style="list-style-type: none"> <li>1. Worn, bent or loose blade.</li> <li>2. Bent engine crankshaft.</li> </ol>	<ol style="list-style-type: none"> <li>1. Replace blade. Tighten blade bolt.</li> <li>2. Contact an authorized service center/department.</li> </ol>
Starter rope hard to pull	<ol style="list-style-type: none"> <li>1. Engine flywheel brake is on when control bar is released.</li> <li>2. Bent engine crankshaft</li> <li>3. Blade adapter broken.</li> <li>4. Blade dragging in grass.</li> </ol>	<ol style="list-style-type: none"> <li>1. Depress control bar to upper handle before pulling starter rope.</li> <li>2. Contact an authorized service center/department.</li> <li>3. Replace blade adapter.</li> <li>4. Move lawn mower to cut grass or to hard surface to start engine.</li> </ol>
Grass catcher not filling (If so equipped)	<ol style="list-style-type: none"> <li>1. Cutting height too low.</li> <li>2. Lift on blade worn off.</li> <li>3. Catcher not venting air.</li> <li>4. Low engine speed.</li> </ol>	<ol style="list-style-type: none"> <li>1. Raise cutting height.</li> <li>2. Replace blade.</li> <li>3. Clean grass catcher.</li> <li>4. Set engine speed control in fast position.</li> </ol>
Hard to push	<ol style="list-style-type: none"> <li>1. Grass is too high or wheel height is too low.</li> <li>2. Rear of lawn mower housing/blade dragging in grass.</li> <li>3. Grass catcher too full.</li> <li>4. Handle height position not right for you.</li> </ol>	<ol style="list-style-type: none"> <li>1. Raise cutting height.</li> <li>2. Raise rear of lawn mower housing one (1) setting higher.</li> <li>3. Empty grass catcher.</li> <li>4. Adjust handle height to suit.</li> </ol>
Loss of drive	<ol style="list-style-type: none"> <li>1. Drive not fully engaged.</li> <li>2. Belt wear.</li> <li>3. Belt off of pulley.</li> <li>4. Lost spring tension retainer.</li> <li>5. Friction wheel worn.</li> <li>6. Friction wheel excessively wet.</li> </ol>	<ol style="list-style-type: none"> <li>1. Check and adjust drive control.</li> <li>2. Check/replace drive belt.</li> <li>3. Check/reinstall drive belt.</li> <li>4. Replace spring retainer.</li> <li>5. Check/replace friction wheel.</li> <li>6. Allow wheel to dry before use.</li> </ol>

# SERVICE NOTES

# SERVICE NOTES

# SERVICE NOTES

**SEARS**

**OWNER'S  
MANUAL**

**MODEL NO.  
917.373491**

**HOW TO ORDER  
REPAIR PARTS**

**CRAFTSMAN®**

**5.0 HORSEPOWER  
22" REAR DISCHARGE  
3 IN ONE CONVERTIBLE  
POWER PROPELLED  
ROTARY LAWN MOWER**

Each lawn mower has its own model number. Each engine has its own model number.

The model number for your lawn mower will be found on a decal attached to the rear of the lawn mower housing.

The model number for your engine will be found on the blower housing of the engine.

All parts listed herein may be ordered from any Sears, Roebuck and Co. Service Center/Department and most Retail Stores.

**WHEN ORDERING REPAIR PARTS, ALWAYS GIVE THE FOLLOWING INFORMATION:**

- PRODUCT - LAWN MOWER
- MODEL NUMBER - 917.373491
- ENGINE - TECUMSEH - MODEL NO. 143.434032
- PART NUMBER
- PART DESCRIPTION

Your Sears merchandise has added value when you consider Sears has service units nationwide staffed with Sears trained technicians... professional technicians specifically trained to insure that we meet our pledge to you, we service what we sell.