



## **BOTTOM FREEZER REFRIGERATOR**

Use & Care Guide - 2

## **CONGELADOR INFERIOR REFRIGERADOR**

Guía para el Uso y Cuidado - 40

## **CONGÉLATEUR INFÉRIEUR RÉFRIGÉRATEUR**

Guide d'Utilisation et d'Entretien - 78

**Models / Modelos / Modèles 795.7877\*, 7878\***

\*= color number, número de color, numéro de couleur



 **trio**

# TABLE OF CONTENTS

<b>English Version</b>	<b>2</b>	Bottle Holder (Option)	22
<b>Spanish Version</b>	<b>40</b>	Humidity Controlled Crisper	23
<b>French Version</b>	<b>78</b>	Removing Humidity Controlled Crisper	23
<b>Warranty</b>	<b>3</b>	Glide'N'Serve	23
<b>Protection Agreements</b>	<b>4</b>	Modular Door Bin	23
<b>Safety Instructions</b>	<b>5–6</b>	Dairy Bin	23
<b>Grounding Requirements</b>	<b>6</b>	Egg Box	23
<b>Parts And Features</b>	<b>7</b>	<b>► Freezer Section</b>	
<b>Refrigerator Installation</b>	<b>8–17</b>	Extra Ice Bin	24
Unpacking Your Refrigerator	8	Durabase Divider	24
Installation	8	Filter	25
Removing And Replacing Your Refrigerator Handles And Doors	9–12	<b>Care And Cleaning</b>	<b>26–27</b>
How to Remove and Reinstall the Pullout Drawer	13–16	General Cleaning Tips	26
Leveling And Door Alignment	17	Outside	26
Base Cover	17	Inside Walls	26
<b>Using Your Refrigerator</b>	<b>18–25</b>	Door Liner And Gaskets	26
Setting The Controls	18	Plastic Parts	26
Ensuring Proper Air Circulation	18	Condenser Coils	26
In-Door Ice Bin	19	Light Bulb Replacement	26–27
Adjusting Control Settings	20	Power Interruptions	27
Food Storage Guide	20	When You Go On Vacation	27
Storing Frozen Food	21	When You Move	27
<b>► Refrigerator Section</b>		<b>About The Automatic Icemaker</b>	<b>28-29</b>
Water Dispenser	21	<b>Connecting The Water Line</b>	<b>30–32</b>
Refrigerator Shelves	22	<b>Troubleshooting Guide</b>	<b>33–36</b>

# WARRANTY



## BOTTOM FREEZER REFRIGERATOR WARRANTY

### Kenmore Elite Limited Warranty

When installed, operated and maintained according to all instructions supplied with the product, if this appliance fails due to a defect in material and workmanship within one year from the date of purchase, call 1-800-4-MY-HOME® to arrange for free repair.

If the sealed refrigerant system is defective within five years from the purchase date, call 1-800-4-MY-HOME® to arrange for free repair.

This warranty applies for only 90 days from the date of purchase if this appliance is ever used for other than private family purposes.

### This warranty covers only defects in material and workmanship. Sears will NOT pay for:

1. Expendable items that can wear out from normal use, including but not limited to filters, belts, light bulbs, and bags.
2. A service technician to instruct the user in correct product installation, operation or maintenance.
3. A service technician to clean or maintain this product.
4. Damage to or failure of this product if it is not installed, operated or maintained according to the all instructions supplied with the product.
5. Damage to or failure of this product resulting from accident, abuse, misuse or use for other than its intended purpose.
6. Damage to or failure of this product caused by the use of detergents, cleaners, chemicals or utensils other than those recommended in all instructions supplied with the product.
7. Damage to or failure of parts or systems resulting from unauthorized modifications made to this product.

### Disclaimer of implied warranties; limitation of remedies

Customer's sole and exclusive remedy under this limited warranty shall be product repair as provided herein. Implied warranties, including warranties of merchantability or fitness for a particular purpose, are limited to one year or the shortest period allowed by law. Sears shall not be liable for incidental or consequential damages. Some states and provinces do not allow the exclusion or limitation of incidental or consequential damages, or limitation on the duration of implied warranties of merchantability or fitness, so these exclusions or limitations may not apply to you.

This warranty applies only while this appliance is used in the United States or Canada.

This warranty gives you specific legal rights, and you may also have other rights which vary from state to state.

**Sears, Roebuck and Co., Hoffman Estates, IL 60179**

**Sears Canada Inc., Toronto, Ontario, Canada M5B 2B8**

## PROTECTION AGREEMENTS

### Master Protection Agreements

*Congratulations on making a smart purchase.* Your new Kenmore ® product is designed and manufactured for years of dependable operation. But like all products, it may require preventive maintenance or repair from time to time. That's when having a Master Protection Agreement can save you money and aggravation.

The Master Protection Agreement also helps extend the life of your new product. Here's what the Agreement\* includes:

- Parts and labor** needed to help keep products operating properly **under normal use**, not just defects. Our coverage goes **well beyond the product warranty**. No deductibles, no functional failure excluded from coverage— **real protection**.
- Expert service** by a force of more than **10,000 authorized Sears service technicians**, which means someone you can trust will be working on your product.
- Unlimited service calls and nationwide service**, as often as you want us, whenever you want us.
- "No-lemon"** guarantee – replacement of your covered product if four or more product failures occur within twelve months.
- Product replacement** if your covered product can't be fixed.
- Annual Preventive Maintenance Check** at your request – no extra charge.
- Fast help by phone** – we call it **Rapid Resolution** – phone support from a Sears representative on all products. Think of us as a "talking owner's manual."
- Power surge protection** against electrical damage due to power fluctuations.
- \$250 Food Loss Protection** annually for any food spoilage that is the result of mechanical failure of any covered refrigerator or freezer.
- Rental reimbursement** if repair of your covered product takes longer than promised.
- 10% discount** off the regular price of any non-covered repair service and related installed parts.

Once you purchase the Agreement, a simple phone call is all that it takes for you to schedule service. You can call anytime day or night, or schedule a service appointment online.

The Master Protection Agreement is a risk free purchase. If you cancel for any reason during the product warranty period, we will provide a full refund. Or, a prorated refund anytime after the product warranty period expires. Purchase your Master Protection Agreement today!

**Some limitations and exclusions apply.**

**For prices and additional information in the U.S.A. call 1-800-827-6655**

**\* Coverage in Canada varies on some items. For full details call Sears Canada at 1-800-361-6665.**

#### Sears Installation Service

*For Sears professional installation* of home appliances, garage door openers, water heaters, and other major home items, in the U.S.A. or **Canada call 1-800-4-MY-HOME®**.

## PRODUCT RECORD

In the space below, record the date of purchase, model and serial number of your product. You will find the model and serial number printed on an identification label located on the right-hand side of the refrigerator compartment. Have these items of information available whenever you contact Sears concerning your product.

Model No. \_\_\_\_\_

Date of Purchase \_\_\_\_\_

Serial No. \_\_\_\_\_

Dealer \_\_\_\_\_

Save these instructions and attach your sales receipt for future reference.

# IMPORTANT SAFETY INSTRUCTIONS

## BASIC SAFETY PRECAUTIONS

This guide contains many important safety messages. Always **read and obey** all safety messages.



This is the safety alert symbol. It alerts you to safety messages that inform you of hazards that can kill or hurt you or others, or cause damage to the product.

All safety messages will be preceded by the safety alert symbol and the hazard signal word DANGER, WARNING, CAUTION. These words mean:



**DANGER**

You **will** be killed or seriously injured if you don't follow instructions.



**WARNING**

You **can** be killed or seriously injured if you don't follow instructions.



**CAUTION**

Indicates an imminently hazardous situation which, if not avoided, **may** result in minor or moderate injury, or product damage only.

All safety messages will identify the hazard, tell you how to reduce the chance of injury, and tell you what can happen if the instructions are not followed.

## ! WARNING

**To reduce the risk of fire, electric shock, or injury to persons when using your product, basic safety precautions should be followed, including the following.**

**Read all instructions before using this appliance.**

- NEVER unplug your refrigerator by pulling on the power cord. Always grip the plug firmly and pull it straight out from the outlet.
- Repair or replace immediately all electric service cords that have become frayed or otherwise damaged. Do not use a cord that shows cracks or abrasion damage along its length or at either the plug or connector end.
- Do not modify or extend the power cord length. It could cause electric shock or fire.
- When moving your refrigerator away from the wall, be careful not to roll over or damage the power cord.
- DO NOT store or use gasoline or other flammable vapors and liquids in the vicinity of this or any other appliance.
- DO NOT allow children to climb, stand, or hang on the refrigerator doors or shelves in the refrigerator. They could damage the refrigerator and seriously injure themselves.
- Keep fingers out of pinch point areas; clearances between the doors and cabinet are necessarily small. Be careful closing doors when children are in the area.
- Unplug your refrigerator before cleaning or making any repairs.

**NOTE:** We strongly recommend that any servicing be performed by a qualified individual.

- Before replacing a burned-out light bulb, **unplug** the refrigerator or turn off power at the circuit breaker or fuse box in order to avoid contact with a live wire filament. (A burned-out light bulb may break when being replaced.)

**NOTE:** Some models have LED interior lighting and service should be performed by a qualified technician.

**NOTE:** Setting either or both controls to the OFF position does not remove power to the light circuit.

- When you are finished, reconnect the refrigerator to the electrical source and reset the controls. (Thermostat, Refrigerator Control, and or Freezer Control, depending on the model) to the desired setting.
- This refrigerator must be properly installed in accordance with the **Attention Installer Instructions** that were taped to the front of the refrigerator.
- After your refrigerator is in operation, do not touch the cold surfaces in the freezer compartment when hands are damp or wet. Skin may adhere to the extremely cold surfaces.
- In refrigerators with automatic icemakers, avoid contact with the moving parts of the ejector mechanism, or with the heating element that releases the cubes. DO NOT place fingers or hands on the automatic icemaking mechanism while the refrigerator is plugged in.
- DO NOT refreeze frozen foods which have thawed completely. The United States Department of Agriculture in Home and Garden Bulletin No. 69 says:  
...You may safely refreeze frozen foods that have thawed if they still contain ice crystals or if they are still cold—below 4°C.

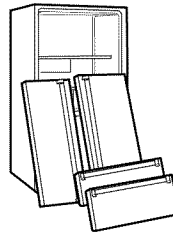
...Thawed ground meats, poultry or fish that have any off-odor or off-color should not be refrozen and should not be eaten. Thawed ice cream should be discarded. If the odor or color of any food is poor or questionable, dispose of it. The food may be dangerous to eat.

Even partial thawing and refreezing reduces the eating quality of foods, particularly fruits, vegetables and prepared foods. The eating quality of red meats is affected less than that of many other foods. Use refrozen foods as soon as possible to save as much of their quality as you can.

## SAVE THESE INSTRUCTIONS

## ⚠️ DANGER: RISK OF CHILD ENTRAPMENT

Junked or abandoned refrigerators are dangerous...even if they will sit for *just a few days*. If you are getting rid of your old refrigerator, please follow the instructions at right to help prevent accidents (Child entrapment and suffocation).



### BEFORE YOU THROW AWAY YOUR OLD REFRIGERATOR OR FREEZER

- Take off the doors.
- Leave the shelves in place so that children may not easily climb inside.

## CFC DISPOSAL

Your old refrigerator may have a cooling system that used CFCs (chlorofluorocarbons). CFCs are believed to harm stratospheric ozone.

If you are throwing away your old refrigerator, make sure the CFC refrigerant is removed for proper disposal by a qualified servicer. If you intentionally release this CFC refrigerant, you can be subject to fines and imprisonment under provisions of environmental legislation.

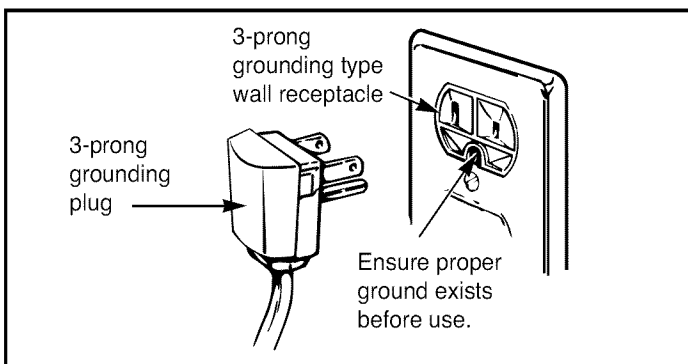
## GROUNDING REQUIREMENTS

**IMPORTANT:** Please read carefully.  
**TO CONNECT ELECTRICITY**

### ⚠️ WARNING

#### Electric Shock Hazard

**FOR PERSONAL SAFETY**, this appliance must be properly grounded. Have the wall outlet and the circuit checked by a qualified electrician to make sure the outlet is properly grounded.



### RECOMMENDED GROUNDING METHOD

The refrigerator should always be plugged into its own individual properly grounded electrical outlet rated for 115 Volts, 60 Hz, AC only, and fused at 15 or 20 amperes. This provides the best performance and also prevents overloading house wiring circuits which could cause a fire hazard from overheated wires. It is recommended that a separate circuit serving only this appliance be provided.

Use a receptacle which cannot be turned off with a switch or pull chain. Do not use an extension cord.

Where a standard two-prong wall outlet is encountered, it is your personal responsibility and obligation to have it replaced with a properly grounded three-prong wall outlet.

**Do not, under any circumstances, cut or remove the third (ground) prong from the power cord.**

**Do not use an adapter plug.**

**NOTE:** Before performing any type of installation, cleaning, or removing a light bulb, disconnect the refrigerator from the electrical source.

**NOTE:** Some models have LED interior lighting and service should be performed by a qualified technician.

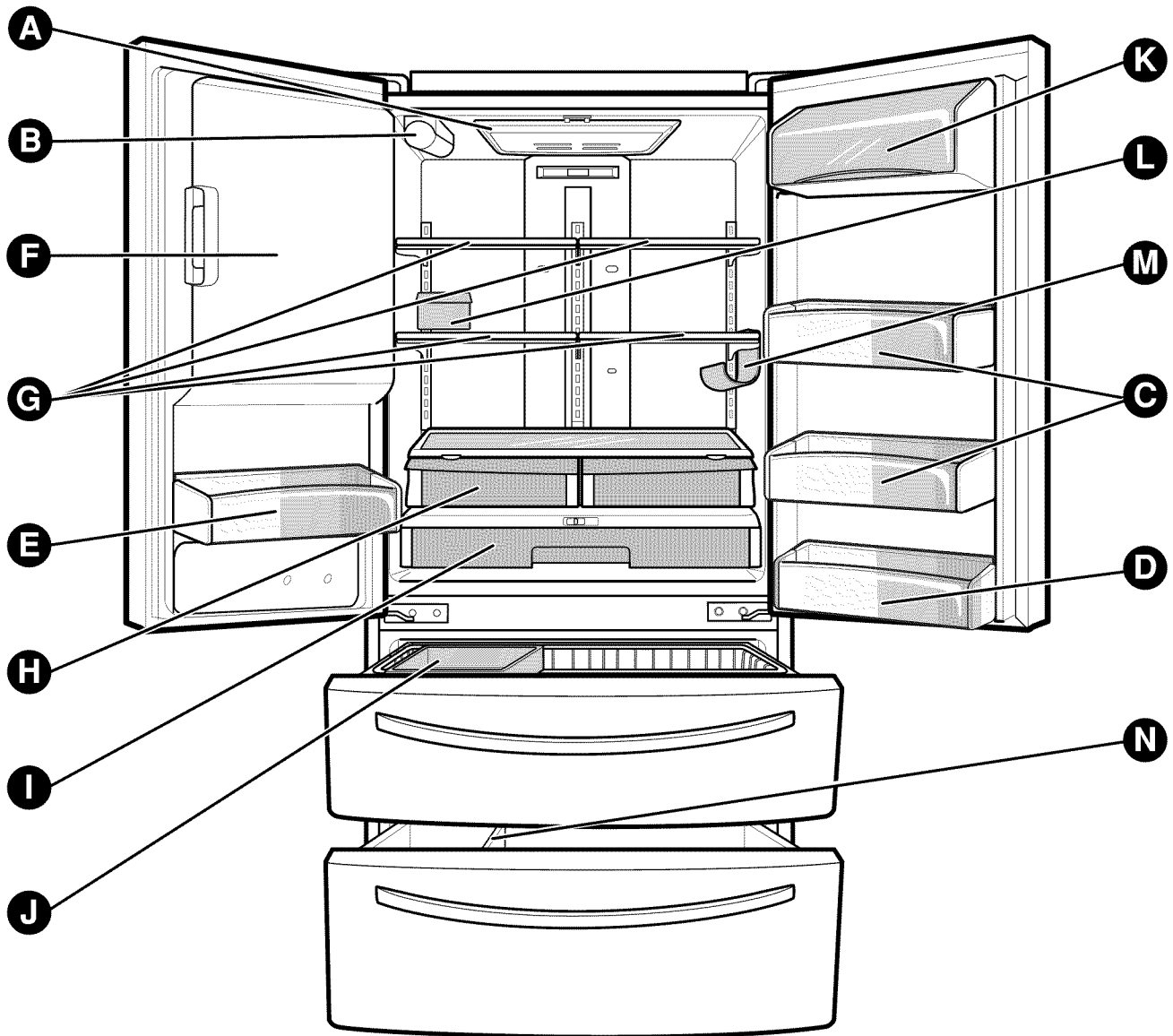
When you are finished, reconnect the refrigerator to the electrical source and reset the control (Thermostat, Refrigerator Control, or Freezer Control, depending on the model) to the desired setting.

### USE OF EXTENSION CORDS

**Because of potential safety hazards under certain conditions, we strongly recommend against the use of an extension cord.** However, if you still elect to use an extension cord, it is absolutely necessary that it be a UL-listed (USA), 3-wire grounding type appliance extension cord having a grounding type plug and outlet, and that the electrical rating of the cord be 15 amperes (minimum) and 120 volts.

Use of an extension cord will increase the clearance needed for the back of the refrigerator.

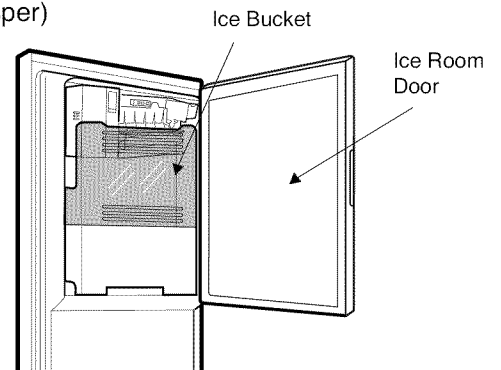
# PARTS AND FEATURES



Use this page to become more familiar with the parts and features. Page references are included for your convenience.

**NOTE:** This guide covers several different models. The refrigerator you have purchased may have some or all of the items listed below. The locations of the features shown below may not match your model.

- A** Refrigerator Light
- B** Filter (Inside) (p. 25)
- C** Modular Door Bins (p. 23)
- D** Fixed Door Bin
- E** Fixed Door Bin
- F** Ice Room (p. 19)  
(Ice Maker and Ice Bucket)
- G** Refrigerator Shelves (p. 22)
- H** Humidity Controlled Crisper (p. 23)  
(Keeps fruits and vegetable fresh and crisper)
- I** Glide'N'Serve (p. 23)
- J** Extra Ice Bin (p. 24)
- K** Dairy Bin (p. 23)
- L** Egg Box (p. 23)
- M** Bottle Holder  
(795.7878\* Model Only) (p. 22)
- N** Divider (p. 24)



# REFRIGERATOR INSTALLATION

## ⚠ WARNING

### Excessive Weight Hazard

Use two or more people to move and install refrigerator.

Failure to do so can result in back or other injury.

## UNPACKING YOUR REFRIGERATOR

Remove tape and any temporary labels from your refrigerator before using. Do not remove any warning-type labels, the model and serial number label, or the Tech Sheet that is attached to back wall of the refrigerator.

To remove any remaining tape or glue, rub the area briskly with your thumb. Tape or glue residue can also be easily removed by rubbing a small amount of liquid dish soap over the adhesive with your fingers. Wipe with warm water and dry.

Do not use sharp instruments, rubbing alcohol, flammable fluids, or abrasive cleaners to remove tape or glue. These products can damage the surface of your refrigerator. For more information, see the **Important Safety Instructions** section.

Refrigerator shelves are installed in the shipping position.

Please reinstall shelves according to your individual storage needs.

## ⚠ WARNING

### When Moving Your Refrigerator:

Your refrigerator is heavy. When moving the refrigerator for cleaning or service, be sure to protect the floor. Always pull the refrigerator straight out when moving it. Do not wiggle or walk the refrigerator when trying to move it, as floor damage could occur.

## ⚠ WARNING

### Explosion Hazard

Keep flammable materials and vapors, such as gasoline, away from refrigerator.

Failure to do so can result in death, explosion, or fire.

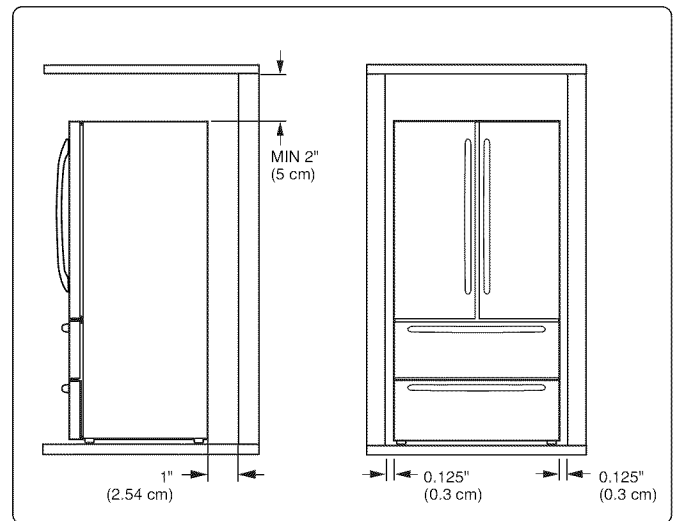
- To reduce the risk of electric shock, do not install the refrigerator in a wet or damp area.
- Select a place where a water supply can be easily connected for the automatic icemaker.

**⚠ CAUTION:** Avoid placing the unit near heat sources, direct sunlight or moisture.

## INSTALLATION

- To minimize noise and vibration, the refrigerator **MUST** be installed on a solidly constructed floor.
- Carpeting and soft tile surfaces are not recommended.
- Never install the refrigerator on a platform or weakly supported structure.

1. To avoid vibration, the unit must be leveled. If required, adjust the leveling legs to compensate for unevenness of the floor. The front should be slightly higher than the rear to aid in door closing. Leveling legs can be turned easily by tipping the cabinet slightly. Turn the leveling legs clockwise (➡) to raise the unit, counterclockwise (↶) to lower it.
2. Install this appliance in an area where the temperature is between 55°F (13°C) and 110°F (43°C.) If the temperature around the appliance is too low or high, cooling ability may be adversely affected.
3. Allow the clearance of at least 2 inch from the top and 0.125 inch from the side walls for better cooling efficiency, ease of installation, proper air circulation and electrical connections.



4. Too small a distance from adjacent items may result in lowered freezing capability and increased electricity consumption charges. Allow at least 24 in. (61 cm) in front of the refrigerator to open the doors.

## NEXT

1. Clean your refrigerator thoroughly and wipe off all dust accumulated during shipping.
2. Install accessories such as ice cube bin, drawers, shelves, etc., in their proper places. They are packed together to prevent possible damage during shipment.
3. Let your refrigerator run for at least 2 or 3 hours before putting food in it. Check the flow of cold air in the freezer compartment to ensure proper cooling. Your refrigerator is now ready for use.

# REFRIGERATOR INSTALLATION

**NOTE:** It is ALWAYS recommended to remove the refrigerator doors when it is necessary to move the refrigerator through a narrow opening. If necessary, follow the directions below to remove the door handles.

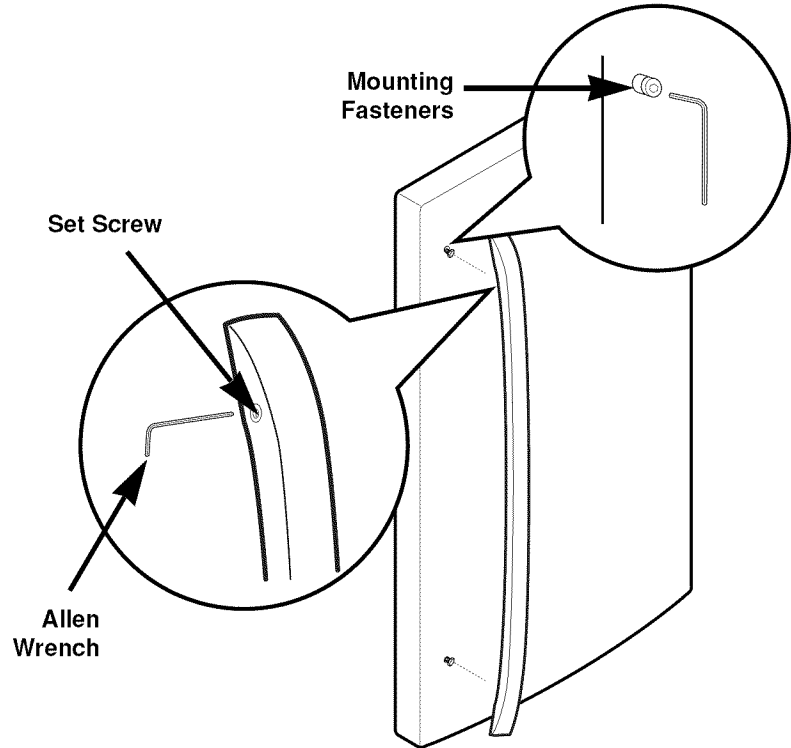
## HOW TO REMOVE DOOR HANDLES

**NOTE:** Handle appearance may vary from illustrations on this page.

### 1. Removing Refrigerator Handle

- Loosen the set screws with a 3/32" (2.5mm) Allen wrench and remove the handle.

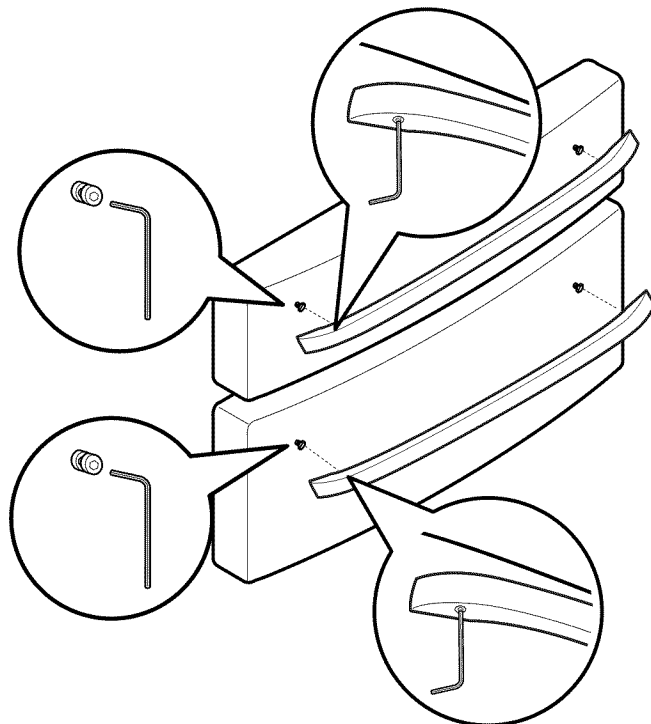
**NOTE:** If the handle mounting fasteners need to be tightened or removed, use a 1/4" Allen wrench.



### 2. Removing Freezer Drawer Handle

- Loosen the set screws located on the lower side of the handle with a 3/32" (2.5mm) Allen wrench and remove the handle.

**NOTE:** If the handle mounting fasteners need to be tightened or removed, use a 1/4" Allen wrench.



# REFRIGERATOR INSTALLATION

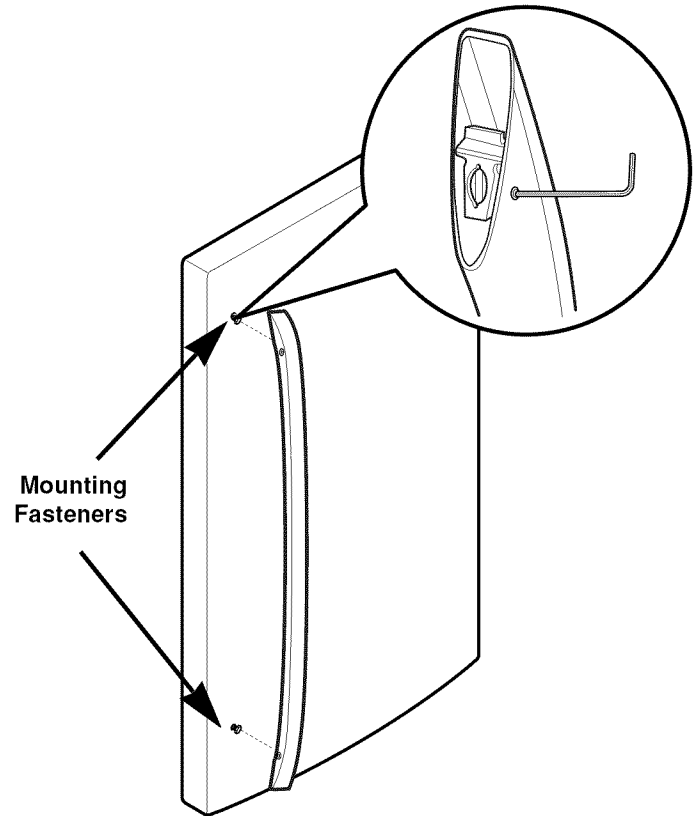
## HOW TO REPLACE DOOR HANDLES

**NOTE:** Handle appearance may vary from illustrations on this page.

### 1. Replacing Refrigerator Door Handle

- Place the handle on the door by adjusting handle footprints to fit mounting fasteners and tighten the set screws with a 3/32" (2.5mm) Allen wrench.

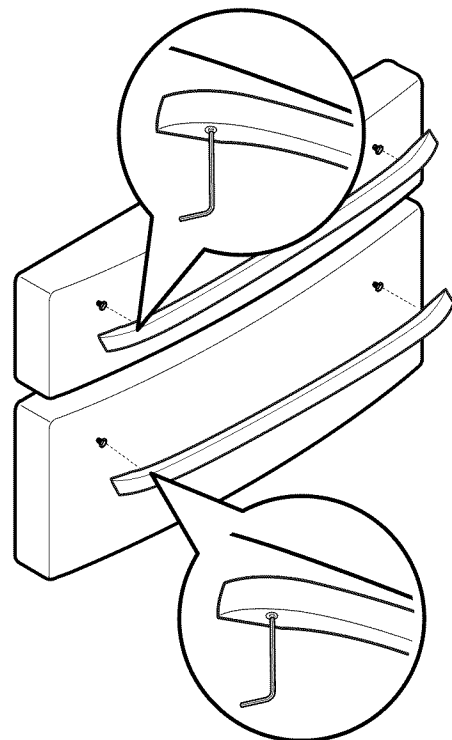
**NOTE:** If the handle mounting fasteners need to be tightened or removed use a 1/4" Allen wrench.



### 2. Replacing Freezer Drawer Handle

- Place the handle on the door by adjusting handle footprints to fit mounting fasteners and tighten the set screws on the bottom of the handle with a 3/32" (2.5mm) Allen wrench.

**NOTE:** If the handle mounting fasteners need to be tightened or removed use a 1/4" Allen wrench.

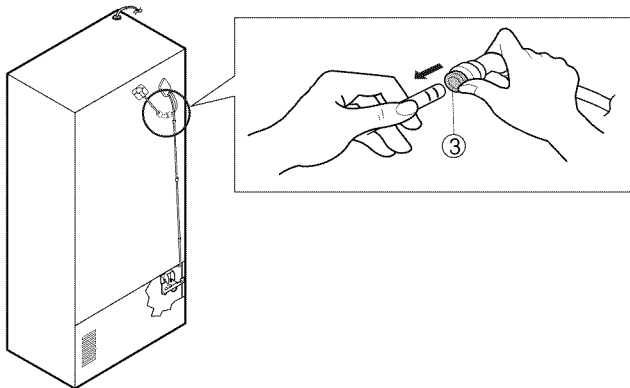


# REFRIGERATOR INSTALLATION

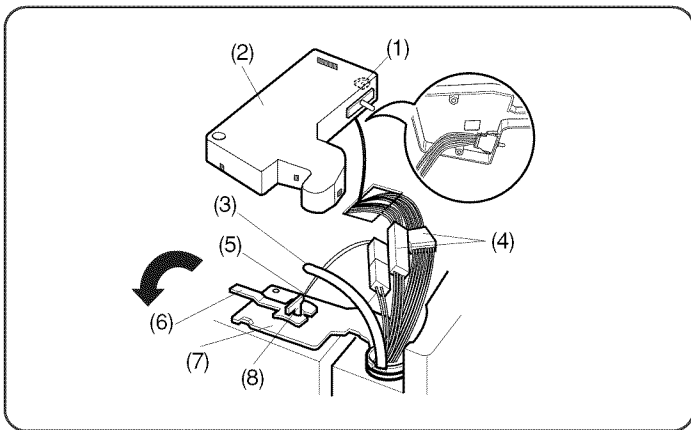
## REMOVING AND REPLACING REFRIGERATOR DOORS

### To remove the left refrigerator door:

Before attempting to remove the left door, locate the water connection at the back of the refrigerator. Pull the water tubing that comes out of the refrigerator by pushing in on the release ring while pulling on the water line as shown in the illustration below.



**▲ CAUTION:** Before you begin, remove food and bins from the doors.



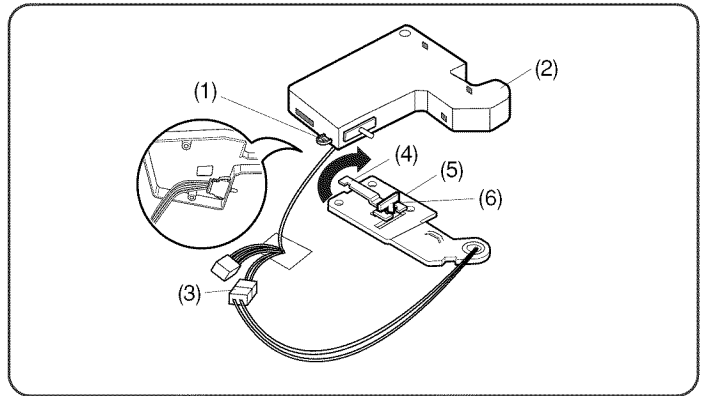
1. Open the door. Remove the top hinge cover screw (1).
2. Use a flat-head screwdriver to pry back the hooks (not shown) on the front underside of the cover (2). Lift up the cover.
3. Remove the cover. Pull out the tube (3).
4. Disconnect all the wire harnesses (4).
5. Remove the grounding screw (5).

6. Rotate hinge lever (6) counterclockwise and remove. Lift the top hinge (7) free of the hinge lever latch (8).

**▲ CAUTION:** When lifting the hinge free of the latch, be careful that the door does not fall forward.

7. Lift the door from the middle hinge pin and remove the door.
8. Place the door, inside facing up, on a nonscratching surface.

### To remove the right refrigerator door:



1. Open the door. Remove the top hinge cover screw (1). Lift up the cover (2).
2. Remove the cover.
3. Disconnect the wire harness (3).
4. Rotate the hinge lever (4) clockwise and remove. Lift the top hinge (5) free of the hinge lever latch (6).

**▲ CAUTION:** When lifting the hinge free of the latch, be careful that the door does not fall forward.

## ▲ WARNING

### Electric Shock Hazard

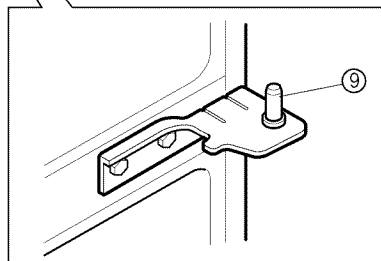
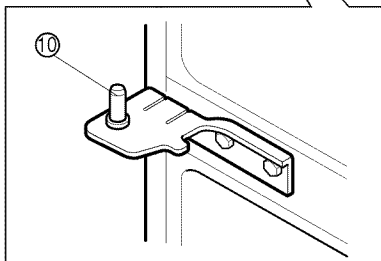
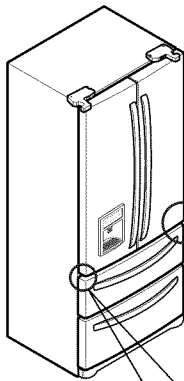
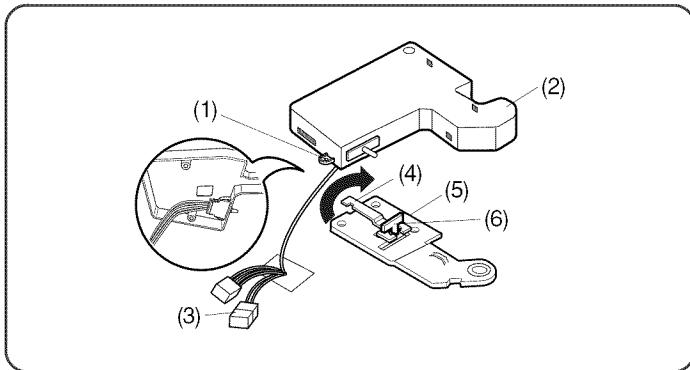
- Disconnect electrical supply to the refrigerator before installing. Failure to do so could result in death or serious injury.
- Do not put hands or feet or other objects into the air vents, base grille, or bottom of the refrigerator. You may be injured or receive an electrical shock.
- Be careful when you work with the hinge, base grille, and stopper. You may be injured.

# REFRIGERATOR INSTALLATION

## Reinstalling the Refrigerator Door

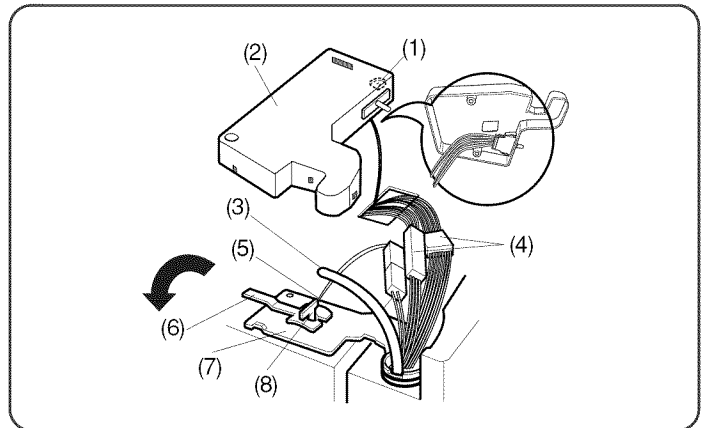
### ► Right Door

1. Lower the door onto middle hinge pin (9).
2. Fit top hinge (5) over hinge lever latch (6) and into place. Insert hinge lever (4) under lever latch. Rotate lever counterclockwise to secure hinge.
3. Connect wire harnesses (3).
4. Hook tab on switch side of cover (2) under edge of wire opening in cabinet top. Position cover (2) into place. Insert and tighten cover screw (1).

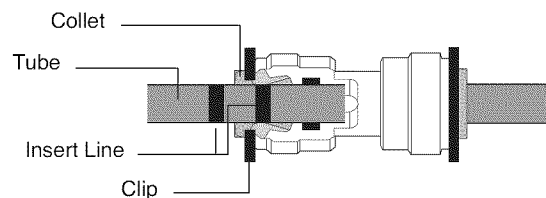


### ► Left Door

1. Lower the door onto middle hinge pin (10).
2. Fit top hinge (7) over hinge lever latch (8) and into place. Insert hinge lever (6) under lever latch. Rotate lever clockwise to secure hinge.
3. Install the grounding screw (5) and connect the three wire harnesses (4).
4. Push the water supply tube into the hole on the top case and pull it out on the backplate.
5. Insert the water supply tube (3) into the connector tube until you see only one scale mark. (Fully insert the tube over 5/8" (15 mm)).
6. Hook tab on door switch side of cover (2) under edge of wire opening in cabinet top. Position cover into place. Insert and tighten cover screw (1).



## ⚠ CAUTION



After inserting, pull the tube to make sure that it is secure and reinsert the clip.

# REFRIGERATOR INSTALLATION

## HOW TO REMOVE AND REINSTALL THE PULLOUT DRAWER

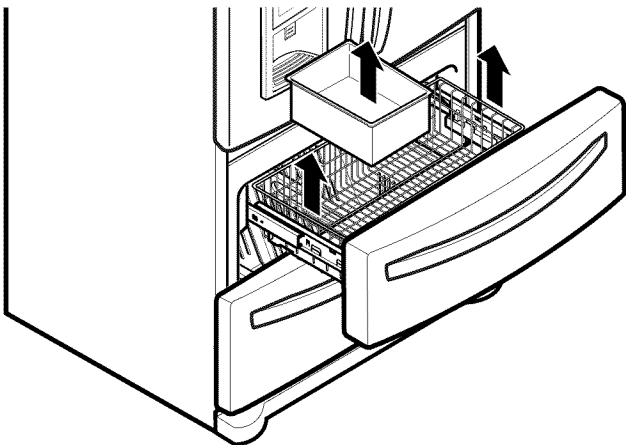
### ▲ CAUTION

- To avoid possible injury or product or property damage, you will need two people to perform the following instructions.
- When you remove the drawer, do not hold the handle. It may come off and could cause injury.
- When laying the drawer down, be careful not to damage the floor or hurt your feet with the sharp edges on the hinge side.

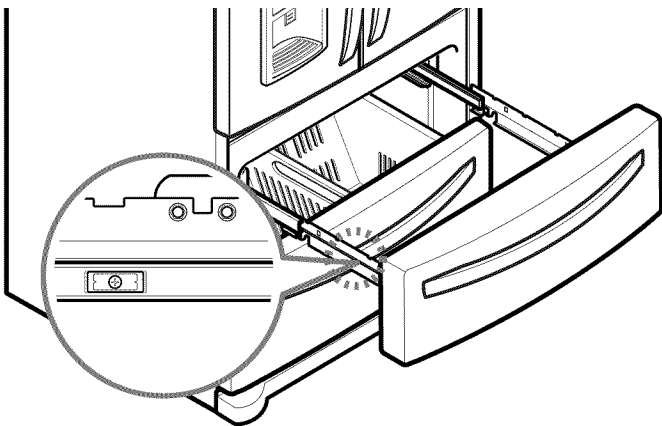
### Removing Pullout Drawer

#### ► Top Drawer

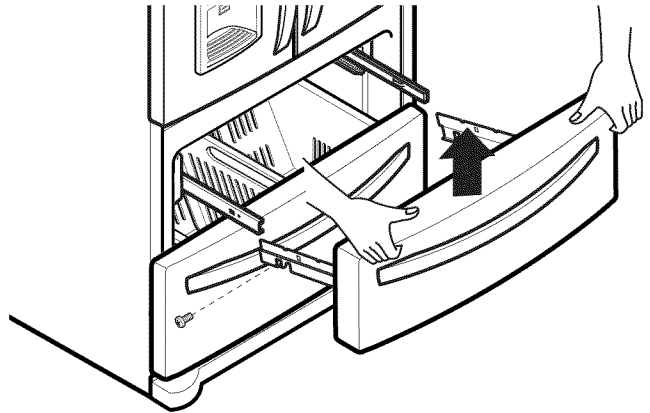
1. To remove the freezer drawer, pull the drawer open to full extension. Remove the wire bin and ice bin by lifting the basket basket from the rail system.



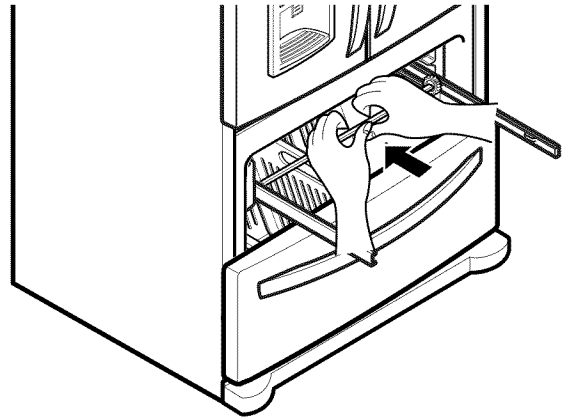
2. Remove the screws of the rail on both sides.



3. With both hands, hold both sides of the door and pull it up to separate it from the rails.



4. With both hands, hold the center bar and push it in, to allow both rails to slide in simultaneously.



# REFRIGERATOR INSTALLATION

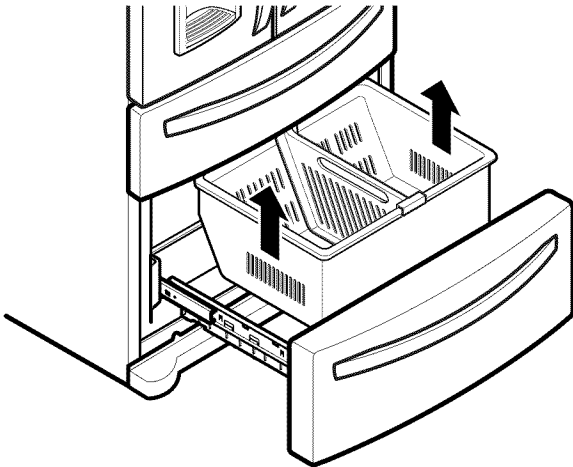
## ▲ CAUTION

- To avoid possible injury or product or property damage, you will need two people to perform the following instructions.
- When you remove the drawer, do not hold the handle. It may come off and could cause injury.
- When laying the drawer down, be careful not to damage the floor or hurt your feet with the sharp edges on the hinge side.

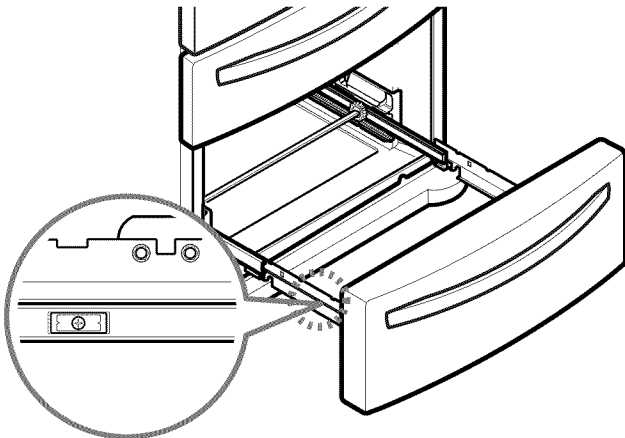
## Removing Pullout Drawer

### ► Bottom drawer

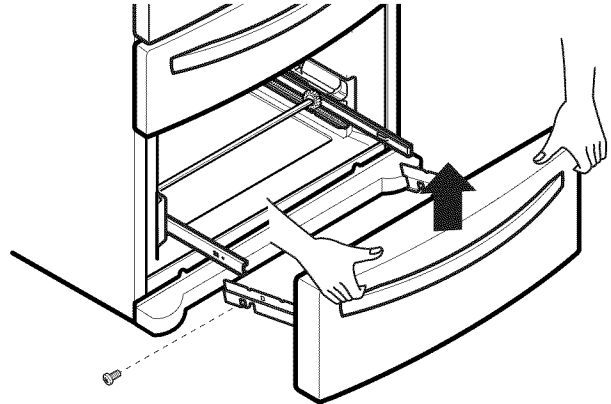
1. To remove the freezer drawer, pull the drawer open to full extension. Remove the lower DuraBase<sup>®</sup> basket by lifting the basket from the rail system.



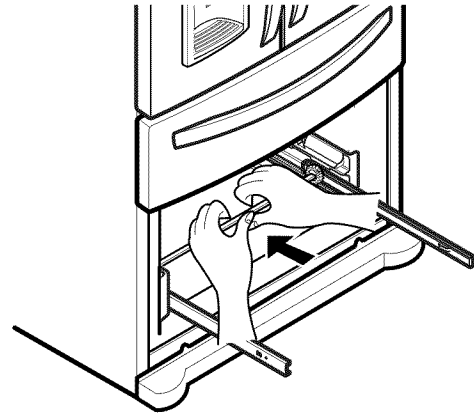
2. Remove the screws of the rail on both sides.



3. With both hands, hold both sides of the door and pull it up to separate it from the rails.

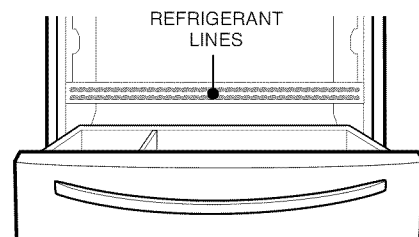


4. With both hands, hold the center bar and push it in, to allow both rails to slide in simultaneously.



## ▲ CAUTION

- DO NOT ATTEMPT TO REMOVE THE MULLION BETWEEN THE TWO DRAWERS. THERE IS A HOT GAS HEAT LOOP (REFRIGERANT LINES) THAT RUNS THROUGH THE MULLION.
- The rear panel can be easily removed after removing the left and right upper door supports. The panel can then be slid through the upper door opening above the mullion!



# REFRIGERATOR INSTALLATION

## HOW TO REMOVE AND REINSTALL THE PULLOUT DRAWER

### ⚠ CAUTION

- To avoid possible injury or product or property damage, you will need two people to perform the following instructions.

### ⚠ DANGER

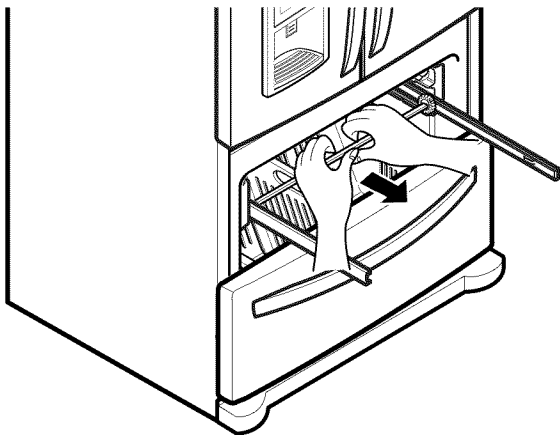
#### Risk of Child Entrapment

- To prevent accidental child and pet entrapment or suffocation risk, DO NOT allow them to play inside of the freezer drawer.
- DO NOT step or sit on the freezer drawer.

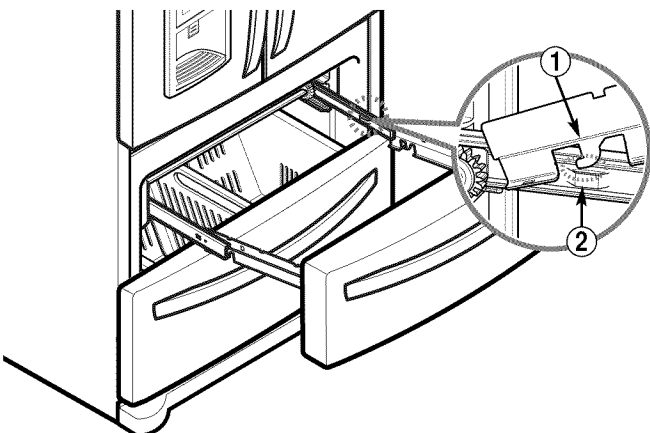
### Reinstalling Pullout Drawer

#### ► Top Drawer

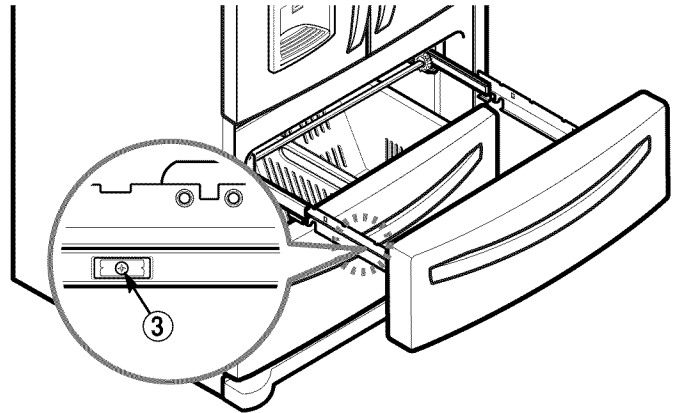
1. To reinstall the freezer drawer, hold the center bar with both hands and pull it out until both rails are fully extended.



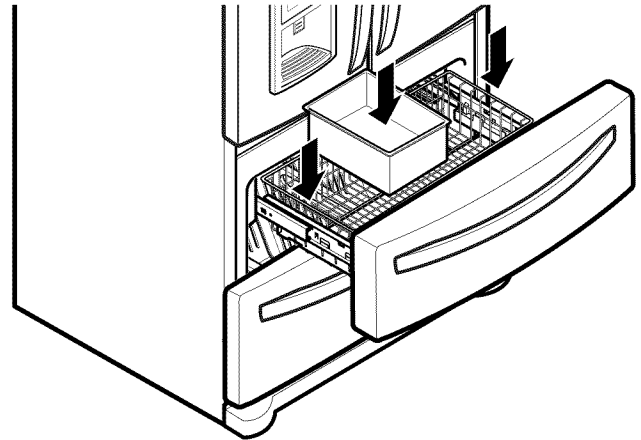
2. Hook door supports (1) into rail tabs (2).



3. Lower door into final position and tighten the screws (3). Make sure you have a right rail cover for each side.



4. With the drawer pulled out to full extension, insert the drawer and Ice Bin in the rail assembly.



# REFRIGERATOR INSTALLATION

## ⚠ CAUTION

- To avoid possible injury or product or property damage, you will need two people to perform the following instructions.

## ⚠ DANGER

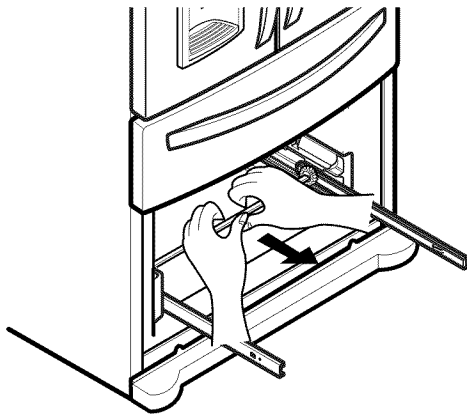
### Risk of Child Entrapment

- To prevent accidental child and pet entrapment or suffocation risk, DO NOT allow them to play inside of the freezer drawer.
- DO NOT step or sit on the freezer drawer.

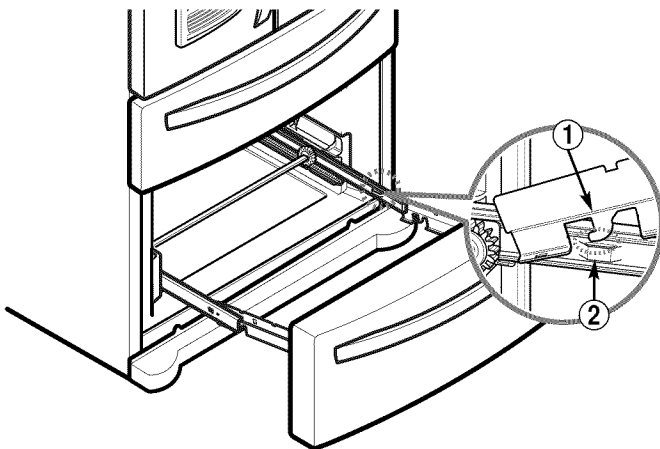
## Reinstalling Pullout Drawer

### ► Bottom drawer

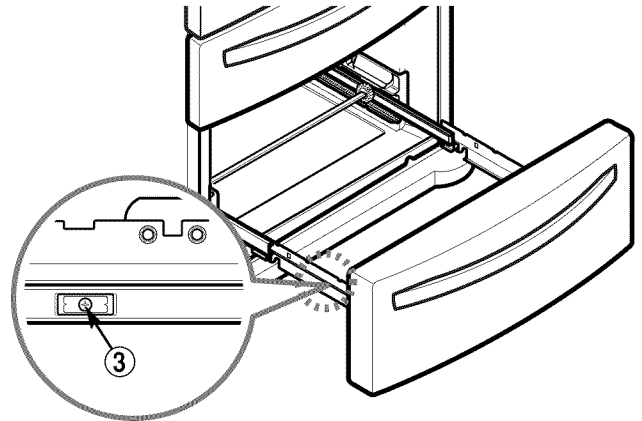
1. To reinstall the freezer drawer, hold the center bar with both hands and pull it out until both rails are fully extended.



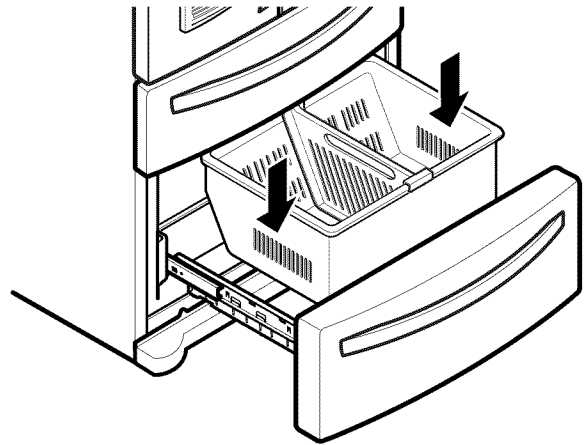
2. Hook door supports (1) into rail tabs (2).



3. Lower door into final position and tighten the screws (3). Make sure you have a right rail cover for each side.



4. With the drawer pulled out to full extension, insert the lower basket in the rail assembly.



# REFRIGERATOR INSTALLATION

## LEVELING AND DOOR ALIGNMENT

### Leveling

Your refrigerator has two front leveling legs—one on the right and one on the left. Adjust legs to alter tilt from front-to-back or side-to-side. If your refrigerator seems unsteady or you want the doors to close easier, adjust the refrigerator's tilt using the instructions below:

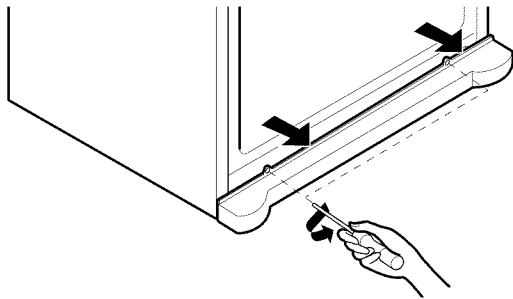
1. Plug the refrigerator's power cord into a 3-prong grounded outlet. Move the refrigerator into its final position. Remove the base cover.

#### To remove the base cover

1. Open the Freezer Drawer. (Drawer not shown for clarity.)
2. Once drawer is open there is sufficient clearance to remove screws on top of cover.

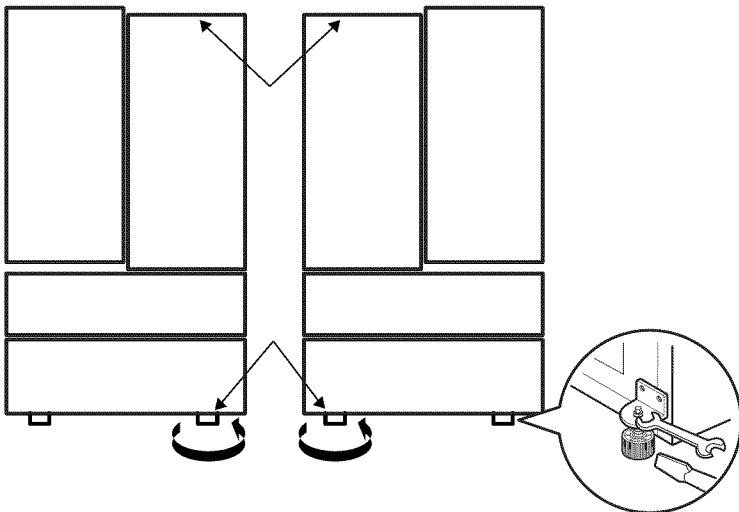
#### To replace base cover:

- Place cover into position and insert and tighten screws.



2. Turn the leveling leg clockwise to raise that side of the refrigerator or counterclockwise to lower it. It may take several turns of the leveling leg to adjust the tilt of the refrigerator.

**NOTE:** Having someone push backward against the top of the refrigerator takes some weight off the leveling legs. This makes it easier to adjust the legs.



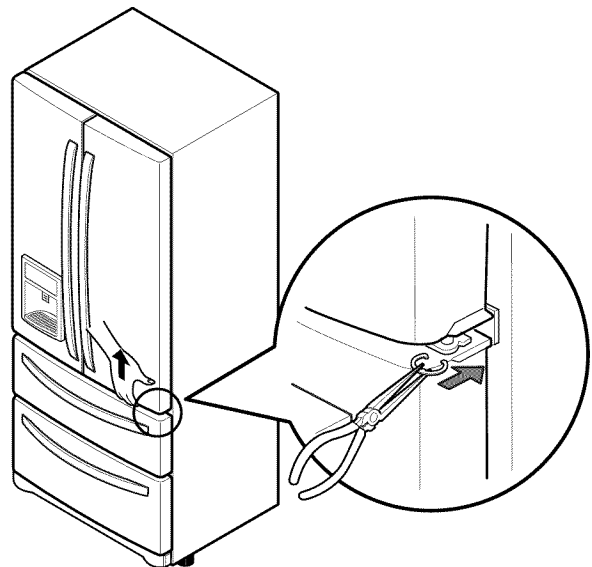
3. Open both doors again and check to make sure that they close easily. If not, tilt the refrigerator slightly more to the rear by turning both leveling legs clockwise. It may take several more turns, and you should turn both leveling legs the same amount.
4. Re-adjust if necessary.
5. Replace the base cover.

**NOTE:** Your new refrigerator is uniquely designed with two fresh food doors. Either door can be opened or closed independently of one another. You may have to exert slight pressure on doors to get them to close completely.

### Door Alignment

If the space between your doors is uneven, follow the instructions below to align the doors:

1. With one hand, lift up the door you want to raise at middle hinge.
2. With other hand, use pliers to insert snap ring as shown.
3. Insert additional snap rings until the doors are aligned. (Three snap rings are provided with the refrigerator in the Use & Care Guide packet.)



Level the refrigerator by using an 11/32 inch (8mm) wrench or a flat blade screw driver. Turn the leveling legs (Counter-Clockwise) to raise or (Clockwise) to lower the height of the front of the refrigerator.

**NOTE:** The front of the refrigerator should be slightly higher than the back.

# USING YOUR REFRIGERATOR

## SETTING THE CONTROLS

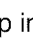
### Temperature

- Your refrigerator has a control pad on the dispenser that lets you regulate the temperature in the freezer and refrigerator compartments.
- Initially set the refrigerator control at 37°F (3°C) and the freezer control at 0°F (-18°C). Leave it at these settings for 24 hours (one day) to stabilize. Then adjust the compartment temperature as desired.

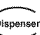


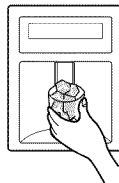
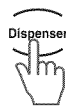
- **Refrigerator Temp Control: 33°F to 46°F (0°C to 8°C)**  
The lower the number setting, the colder the refrigerator compartment will become.
- **Freezer Temp Control: -6°F to 8°F (-21°C to -13°C)**  
When the setting is at a lower number, the freezer compartment becomes colder. The refrigerator compartment becomes warmer because less cold air flows into the refrigerator.

### Ultralce

- When you touch the Ultralce button, the graphic [  ] will light up in the display and it continues for 24 hours. It will automatically shut off after 24 hours have passed.  
Or you can stop this function manually by touching the button one more time.
- This function increases both icemaking and freezing capabilities.

### Dispenser

- You can select water, crushed ice, or cubed ice by touching  button as you desire.
- There could be some dripping after dispensing.
- Hold your cup below the dispenser after dispensing to catch all drops.



**▲ CAUTION:** The control display is operated by touch. Excessive moisture on the display may cause a malfunction. Please keep display clean and dry.

**▲ WARNING:** If a door is open, the dispenser does not work.


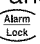
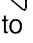

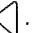
### Filter

- **Filter Reset :** When the FILTER RESET indicator light turns on, you have to change the water filter. Press the FILTER RESET button for 3 seconds to turn the indicator light off. You need to change the water filter approximately every 6 months.

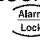



### Light / Light Sensor

- If the light is set “Auto” mode, dispenser light will automatically turn on and off according to the brightness of room detected by light sensor.



### Alarm

- When the power is connected to the refrigerator, door alarm is initially set off and door alarm display will show . When you touch  button, the display will change to  and door alarm function is now activated.
- When either refrigerator or the freezer door is left open for more than 60 seconds, the alarm will ding to let you know the door is open.
- When you close the door, the door alarm will stop dinging.
- If you want to disable the door alarm function, touch  button then the door alarm display will switched to .

### Lock

- When the power is initially connected to the refrigerator, Lock function is off.
- If you want to activate Lock function to lock other buttons, press and hold  button for 3 seconds or more.  sign will be displayed and the Lock function is now enabled.
- No buttons other than  button will work even including dispenser button while Lock function is enabled.
- To disable the Lock function, press and hold  button for 3 seconds or more.

### Temperature Mode Switch Function(°F <->°C)

- If you want to convert °F to °C or vice versa, press and hold  button and  button simultaneously for 5 seconds or more.

## ENSURING PROPER AIR CIRCULATION

Do not block air channels with any objects or food for air circulation to prevent food loss due to the lack of cooling air.

# USING YOUR REFRIGERATOR

## IN-DOOR ICE BANK

### ⚠ CAUTION

- Keep hands and tools out of the ice bank door and dispenser chute. You could break something or injure yourself.

The icemaker will stop producing ice when the ice bank is full. If you need more ice, empty the ice bank into the extra ice bin in the freezer compartment so the icemaker can keep producing ice.

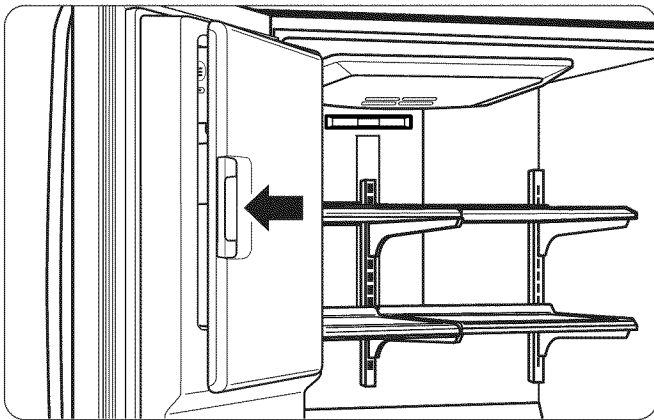
Shake the ice bank occasionally to level the ice in it. Sometimes the ice piles up near the icemaker, causing the icemaker to misread the amount of ice cubes and stop producing ice.

**NOTE:** Storing cans or other items in the ice bank may damage the icemaker.

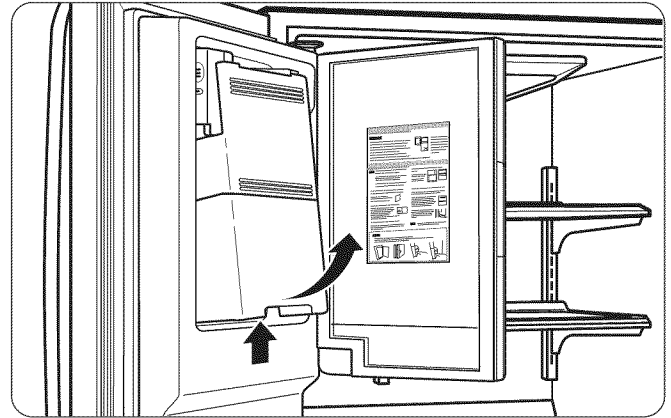
Keep the ice bank door closed tightly. If the ice bank door is not closed tightly, the cold air in the ice bank will freeze food in the refrigerator compartment. This could also cause the icemaker to not produce ice.

**NOTE:** If the On/Off switch on the icemaker is set to Off for an extended time, the ice compartment will gradually warm up to the temperature of the refrigerator compartment. To prevent ice cubes from melting and leaking from the dispenser, ALWAYS empty the ice bin when the icemaker is set to Off for more than a few hours.

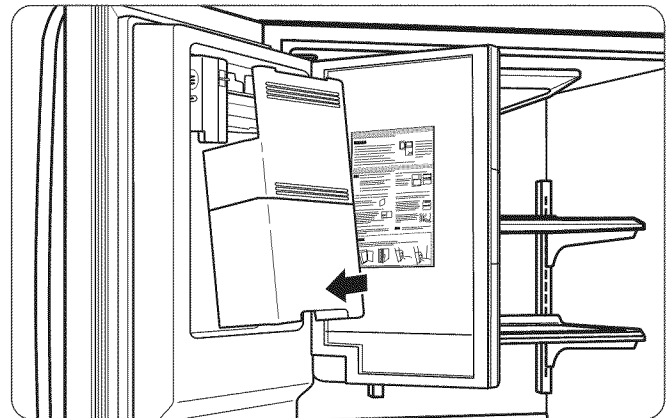
1. Push on the latch firmly where noted to close the ice bank door; it will make a clicking sound when it is closed completely.



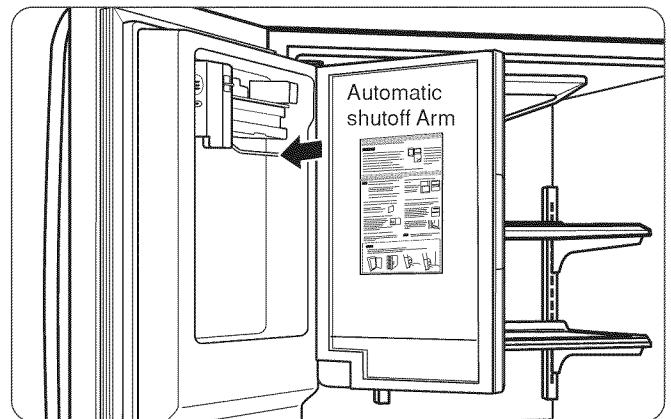
2. To remove the in-door ice bank, grip the front handle, slightly lift the lower part, and slowly pull out the bin as shown.



3. To reinstall the in-door ice bank, slightly slant the bin during replacement to avoid contact with the icemaker.



4. Avoid touching the automatic shutoff arm when replacing the ice bank. See the label on the ice bank door for details.



# USING YOUR REFRIGERATOR

## ADJUSTING CONTROL SETTINGS

Give the refrigerator time to cool down completely before making final adjustments. It is best to wait 24 hours before doing this. The initial settings mentioned in SETTING THE CONTROLS section should be correct for normal household refrigerator use. The controls are set correctly when milk or juice is as cold as you like and when ice cream is firm.

The refrigerator control functions as the thermostat for the entire appliance (refrigerator and freezer sections). The higher the number setting, the longer the compressor will run to keep the temperature colder. The freezer control adjusts the cold air flow from the freezer to the refrigerator. Setting the freezer control to a lower temperature keeps more cold air in the Freezer compartment to make it colder.

If you need to adjust temperatures in the refrigerator or freezer, start by adjusting the refrigerator. Then wait 24 hours before checking the freezer temperature. If it is too warm or too cold, then adjust the freezer control.

Use the settings listed in the chart below as a guide.

**Always remember to wait at least 24 hours between adjustments.**

CONDITION/ REASON:	RECOMMENDED ADJUSTMENT:
<ul style="list-style-type: none"> <li>■ REFRIGERATOR section too warm</li> <li>– Door opened often</li> <li>– Large amount of food added</li> <li>– Room temperature very warm</li> </ul>	Set REFRIGERATOR control one degree lower C or two degrees lower F, wait 24 hours, then re-check
<ul style="list-style-type: none"> <li>■ FREEZER section too warm/ice not made fast enough</li> <li>– Door opened often</li> <li>– Large amount of food added</li> <li>– Very cold room temperature (Compressor doesn't cycle often enough)</li> <li>– Heavy ice usage</li> <li>– Air vents blocked by items</li> </ul>	Set FREEZER control one degree lower C or two degrees lower F, wait 24 hours, then re-check  Move items out of airstream
<ul style="list-style-type: none"> <li>■ REFRIGERATOR section too cold</li> <li>– Controls not set correctly for your conditions</li> </ul>	Set REFRIGERATOR control one degree higher C or two degrees higher F, wait 24 hours, then re-check
<ul style="list-style-type: none"> <li>■ FREEZER section too cold</li> <li>– Controls not set correctly for your conditions</li> </ul>	Set FREEZER control one degree higher C or two degrees higher F, wait 24 hours, then re-check

## FOOD STORAGE GUIDE

Wrap or store food in the refrigerator in airtight and moisture-proof material unless otherwise noted. This prevents food odor and taste transfer throughout the refrigerator. For dated products, check date code to ensure freshness.

Items	How to
<b>Butter or margarine</b>	▶ Keep opened butter in a covered dish or closed compartment. When storing an extra supply, wrap in freezer packaging and freeze.
<b>Cheese</b>	▶ Store in the original wrapping until you are ready to use it. Once opened, rewrap tightly in plastic wrap or aluminum foil.
<b>Milk</b>	▶ Wipe milk cartons. For best storage, place milk on interior shelf, not on door shelf.
<b>Eggs</b>	▶ Store in original carton or Utility Bin on interior shelf, not on door shelf.
<b>Fruit</b>	▶ Wash, let dry, and store in refrigerator in plastic bags or in the crisper. Do not wash or hull berries until you are ready to use them. Sort and keep berries in their original container in a crisper, or store in a loosely closed paper bag on a refrigerator shelf.
<b>Leafy vegetables</b>	▶ Remove store wrapping and trim or tear off bruised and discolored areas. Wash in cold water and drain. Place in plastic bag or plastic container and store in crisper.
<b>Vegetables with skins (carrots, peppers)</b>	▶ Place in plastic bags or plastic container and store in crisper.
<b>Fish</b>	▶ Use fresh fish and shellfish the same day purchased.
<b>Leftovers</b>	▶ Cover leftovers with plastic wrap or aluminum foil. Plastic containers with tight lids can also be used.

# USING YOUR REFRIGERATOR

## STORING FROZEN FOOD

**NOTE:** For further information about preparing food for freezing or food storage times, check a freezer guide or a reliable cookbook.

### Packaging

Successful freezing depends on correct packaging. When you close and seal the package, it must not allow air or moisture in or out. If it does, you could have food odor and taste transfer throughout the refrigerator and also dry out frozen food.

### Packaging recommendations:

- Rigid plastic containers with tight-fitting lids
- Straight-sided canning/freezing jars
- Heavy-duty aluminum foil
- Plastic-coated paper
- Non-permeable plastic wraps
- Specified freezer-grade self-sealing plastic bags

Follow package or container instructions for proper freezing methods.

### Do not use

- Bread wrappers
- Non-polyethylene plastic containers
- Containers without tight lids
- Wax paper or wax-coated freezer wrap
- Thin, semi-permeable wrap

**▲ CAUTION:** Do not keep beverage cans or plastic food containers in the freezer compartment. They may be break if they freeze.

### Freezing

Your freezer will not quick-freeze any large quantity of food. Do not put more unfrozen food into the freezer than will freeze within 24 hours (no more than 2 to 3 lbs of food per cubic foot of freezer space). Leave enough space in the freezer for air to circulate around packages. Be careful to leave enough room at the front so the door can close tightly.

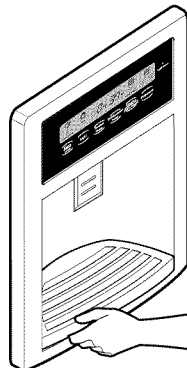
Storage times will vary according to the quality and type of food, the type of packaging or wrap used (airtight and moisture-proof) and the storage temperature. Ice crystals inside a sealed package are normal. This simply means that moisture in the food and air inside the package have condensed, creating ice crystals.

**NOTE:** Allow hot foods to cool at room temperature for 30 minutes, then package and freeze. Cooling hot foods before freezing saves energy.

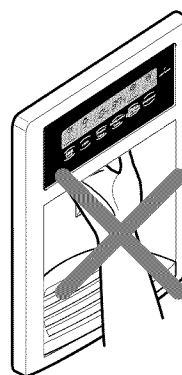
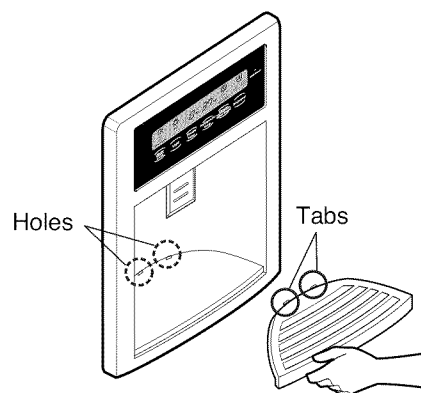
## REFRIGERATOR SECTION

### WATER DISPENSER

Tray can be easily removed by pressing down and pulling out it.



Tilt up the front of tray slightly and snap the tabs into the holes to reinstall the tray.



**▲ WARNING:** Do not put your fingers up the ice chute opening. Doing so can result in severe injury.

**▲ CAUTION:** Do not dispense ice into fine china or crystal glasses. China or crystal can break.

# USING YOUR REFRIGERATOR

## REFRIGERATOR SHELVES

The shelves in your refrigerator are adjustable to meet your individual storage needs. Your model may have glass or wire shelves.

Storing similar food items together in your refrigerator and adjusting the shelves to fit different heights of items will make finding the exact item you want easier; it will also reduce the amount of time the refrigerator door is open, saving energy.

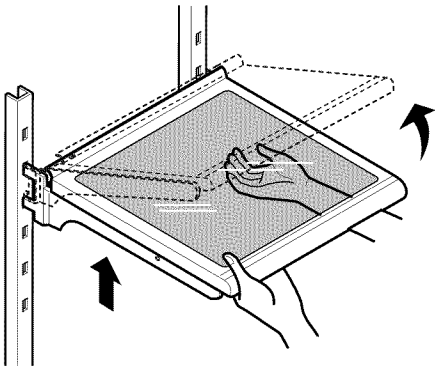
**IMPORTANT:** Do not clean glass shelves with warm water when they are cold. Shelves may break if exposed to sudden temperature changes or impact, such as bumping. For your protection, glass shelves are made with tempered glass, which will shatter into small pebble-sized pieces.

**NOTE:** Glass shelves are heavy. Use special care when removing them to avoid dropping them.

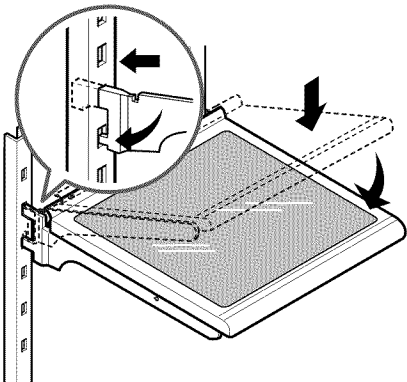
### Adjusting Shelves

Remove shelves from the shipping position and replace shelves in the position you want.

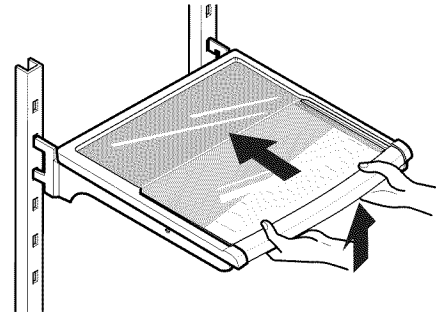
• **To remove a shelf**—Tilt up the front of the shelf. Lift up the back and pull out the shelf.



• **To reinstall a shelf**—Tilt up the front of the shelf and guide the shelf hooks into the slots at a desired height. Then lower the front of the shelf so that the hooks drop into the slots.

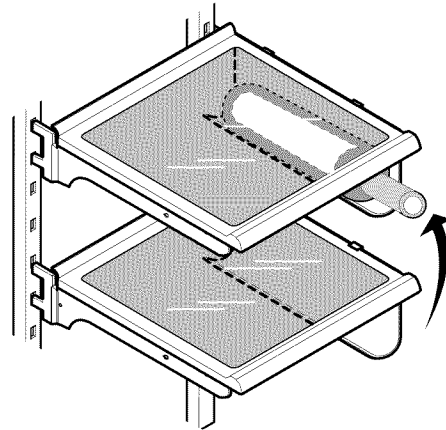


• **Folding a shelf**—You can store taller items such as a gallon container or bottles by simply pushing the front half of shelf underneath back half of shelf. Pull toward you to return to a full shelf.

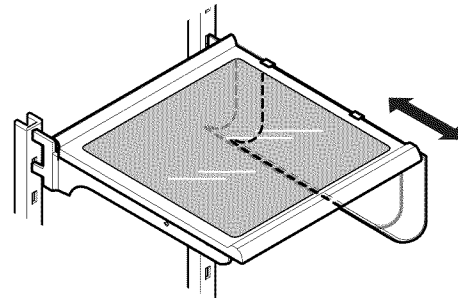


## BOTTLE HOLDER (795.7878\* Model Only)

Bottles can be stored laterally with this bottles holder. It can be attached to any shelf.



Bottles holder can be removed by pulling it straight out and installed by placing it at the end of the shelf you want and pushing it inward.







# USING YOUR REFRIGERATOR

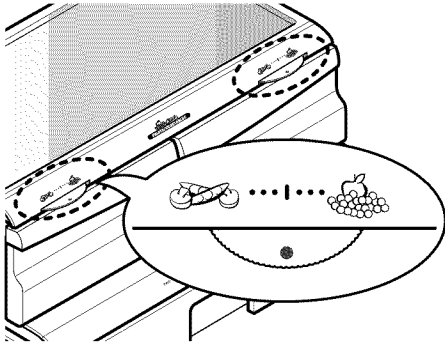
## HUMIDITY CONTROLLED CRISPER

The crispers provide fresher-tasting fruit and vegetables by letting you easily control humidity inside the drawer. The crispers include:

A crisper drawer humidity control switch.

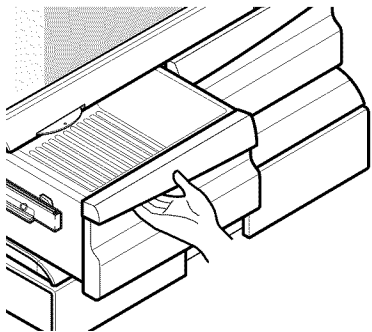
You can control the amount of humidity in the moisture-sealed crispers. Adjust the control to any setting between  and .

-  keeps moist air in the crisper for best storage of fresh, leafy vegetables.
-  lets moist air out of the crisper for best storage of fruits.



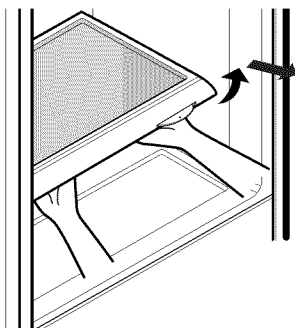
## REMOVING HUMIDITY CONTROLLED CRISPER

1. To remove, pull the drawer out to full extension.
2. Lift the front of the crisper up, then pull it straight out.
3. To install, slightly tilt up the front and insert the drawer into the frame and push it back into place.



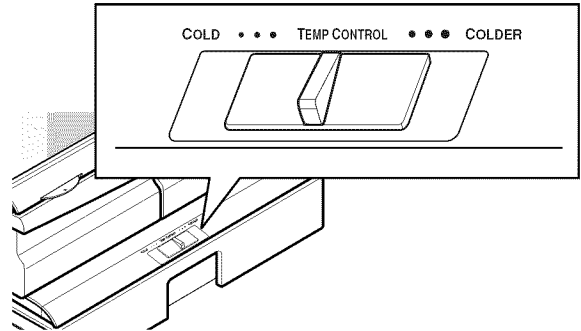
### To remove the glass

1. Lift up the glass under the crisper cover.
2. Pull the glass up and out.



## GLIDE'N'SERVE

The **Glide'N'Serve** provides storage space with a variable temperature control that keeps the compartment colder than refrigerator. This drawer can be used for large party trays, deli items, or beverages. (but this drawer can't be used for vegetable.)



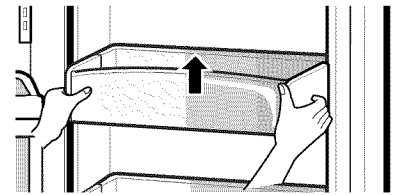
### Controls

The control regulates the air temperature in the drawer. Set control level to **COLD** to provide normal refrigerator temperature. Use the **COLDER** setting for meats or other deli items.

**NOTE:** Cold air directed to the Glide'N'Serve can decrease refrigerator temperature. Refrigerator control may need to be adjusted.

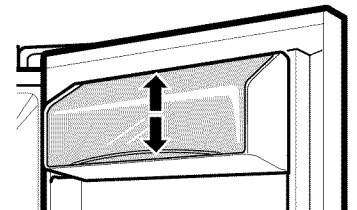
## MODULAR DOOR BIN

The door bins are removable for easy cleaning and adjusting. Simply lift the bin and pull it straight out to remove it. To replace the bin, slide it in above the desired support button and push down until it stops.



## DAIRY BIN

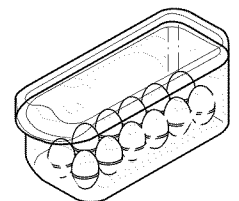
To remove the dairy bin, simply lift it and pull straight out. To replace the dairy bin, slide it into place and push down until it stops.



**NOTE:** The dairy bin will only fit in the top space on the right-hand door.

## EGG BOX

Store the egg box on the interior shelf, not on the door shelf.



**▲ CAUTION:** Do not use the egg box as an ice storage bin in the freezer compartment. The egg box can easily break if it freezes.

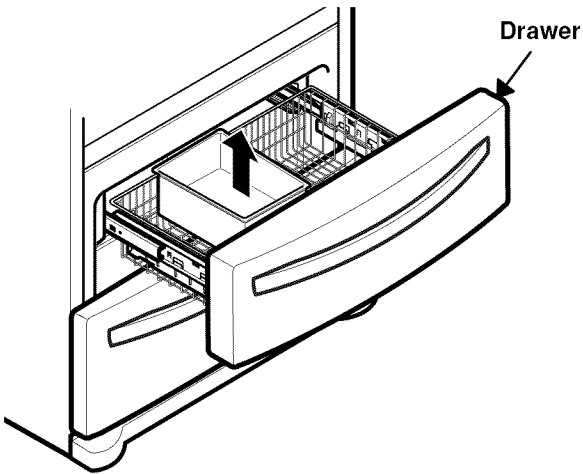
# USING YOUR REFRIGERATOR

## FREEZER SECTION

### EXTRA ICE BIN

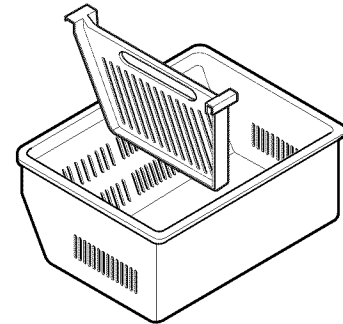
To remove the ice bin, pull out the drawer to full extension. Gently lift and pull out the ice bin.

To reinstall, simply set the ice bin in its correct position.



## DURABASE DIVIDER

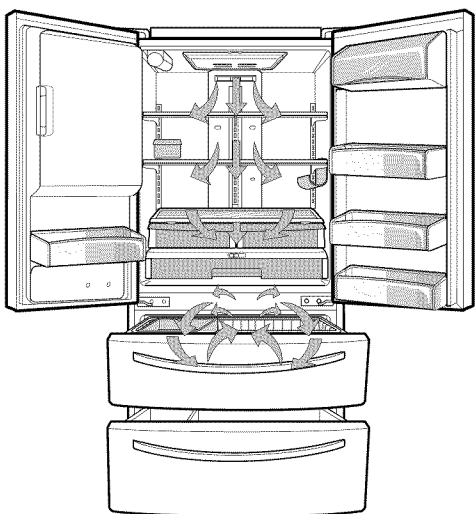
The Durabase divider allows you to organize the Durabase area into sections.



1. To remove, pull divider straight up.
2. To install, hook top corners of divider over top edge of the durabase.

**⚠ WARNING:** If the Durabase divider is removed, there is enough open space for children or pets to crawl inside. To prevent accidental child and pet entrapment or suffocation risk, **DO NOT** allow them to play inside of drawer.

## AIRFLOW



In order to ensure proper temperatures, air must flow between the refrigerator and freezer sections. Arrow in figure indicates air vent locations and direction of airflow.

**Do not block any of the cool air vents with food packages.** If the vents are blocked, airflow will be interrupted and temperature and moisture problems may occur.

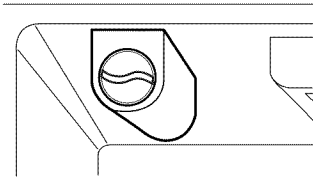
If you add a large amount of food, the refrigerator will take longer to cool it.

At initial start-up allow your refrigerator to run for 2 or 3 hours before placing food in it.

# USING YOUR REFRIGERATOR

## FILTER

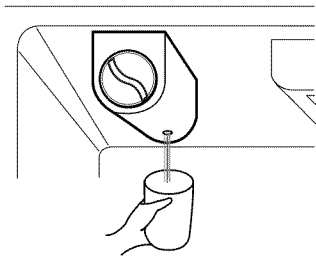
Replace the water filter when the refrigerator control pad Filter Reset indicator light turns on, or when your water dispenser or icemaker performance decreases noticeably.



After changing the water filter cartridge, press and hold the Filter Reset button for 3 seconds; indicator light will go out.

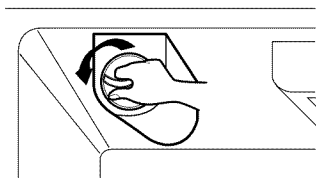
### 1. Remove the old cartridge.

Place a container under the hole of filter holder.

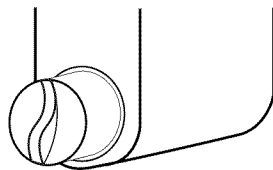


**NOTE:** When filter is being removed, the water drains through the hole.

Rotate the knob of the cartridge counter-clockwise.



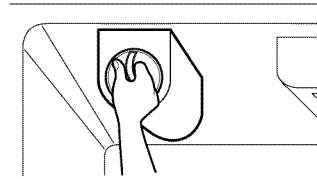
Pull out the filter cartridge.



### 2. Replace with a new cartridge.

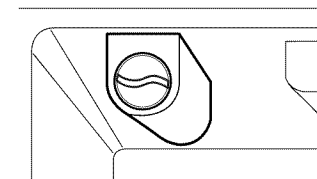
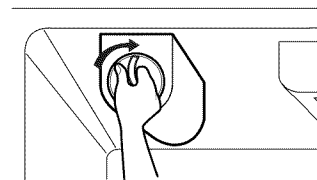
Take the new cartridge out of its packaging and remove protective cover from the o-rings.

With cartridge knob in the vertical position, push the new filter cartridge into the cover until it stops.



Push the filter in firmly and turn it clockwise about 1/4 turn.

You will hear it snap when the filter clicks into place.



**3. Flush the water system after replacing filter. Dispense water through the water dispenser for three minutes to flush the system.**

**NOTE:** To purchase replacement water filter cartridges, call 1-800-4-MY-HOME®. Ask for part number 9990.

## CARE AND CLEANING

### ⚠️ WARNING



#### Explosion Hazard

Use non-flammable cleaner.

Failure to do so can result in death, explosion, or fire.

Both the refrigerator and freezer sections defrost automatically. However, clean both sections about once a month to prevent odors. Wipe up spills immediately.

### GENERAL CLEANING TIPS

- Unplug refrigerator or disconnect power.
- Remove all removable parts, such as shelves, crispers, etc. Refer to sections in Using Your Refrigerator for removal instructions.
- Use a clean sponge or soft cloth and a mild detergent in warm water. Do not use abrasive or harsh cleaners.
- Hand wash, rinse and dry all surfaces thoroughly.
- Plug in refrigerator or reconnect power.

### OUTSIDE

Waxing external painted metal surfaces helps provide rust protection. Do not wax plastic parts. Wax painted metal surfaces at least twice a year using appliance wax (or auto paste wax). Apply wax with a clean, soft cloth.

For products with a stainless steel exterior, use a clean sponge or soft cloth and a mild detergent in warm water. Do not use abrasive or harsh cleaners. Dry thoroughly with a soft cloth.

### INSIDE WALLS (allow freezer to warm up so cloth won't stick)

To help remove odors, you can wash the inside of the refrigerator with a mixture of baking soda and warm water. Mix 2 tablespoons baking soda to 1 quart of water (26 g soda to 1 liter water.) Be sure the baking soda is completely dissolved so it does not scratch the surfaces of the refrigerator.

**⚠️ CAUTION:** While cleaning the inside, DO NOT spray water on surfaces.

### DOOR LINERS AND GASKETS

Do not use cleaning waxes, concentrated detergents, bleaches, or cleaners containing petroleum on plastic refrigerator parts.

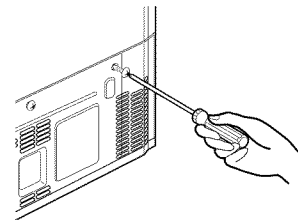
### PLASTIC PARTS (covers and panels)

Do not use window sprays, abrasive cleansers, or flammable fluids. These can scratch or damage the material.

### CONDENSER COILS

Remove Back cover.

Use a vacuum cleaner with an extended attachment to clean condenser coils. Vacuum coils when dusty or dirty. Coils may need to be cleaned as often as every other month.



### LIGHT BULB REPLACEMENT

### ⚠️ WARNING

#### Electric Shock Hazard

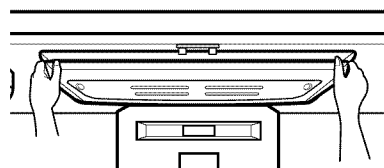
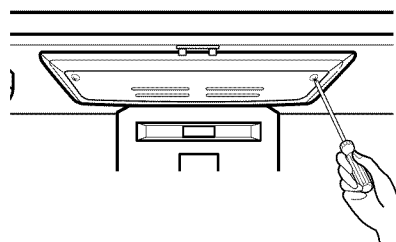
Before replacing a Compartment Lamp, either unplug the refrigerator or turn off power at the circuit breaker or fuse box.

**NOTE:** Moving the control to the OFF position does not remove power to the light circuit.

**NOTE:** Some models have LED interior lighting and service should be performed by a qualified technician.

#### To change Refrigerator Compartment Lamp

1. Unplug Refrigerator, or disconnect power at the circuit breaker.
2. Release 2 screws.
3. Hold both ends with your both hands and pull it downward to remove it.



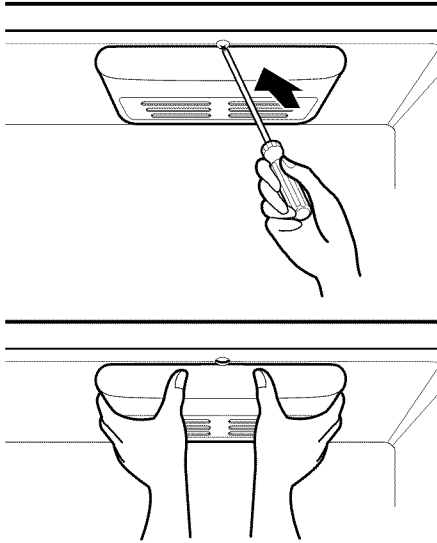
- When you are finished, reconnect the refrigerator to the electrical source and reset the controls (Thermostat, Refrigerator Control, and or Freezer Control, depending on the model) to the desired setting.

## CARE AND CLEANING

### To change freezer Compartment Lamp

**NOTE:** Some models have LED interior lighting and service should be performed by a qualified technician.

1. Unplug refrigerator power cord from outlet.
2. Remove the lamp cover using a screw driver.
3. Grasp the lamp cover and pull downward.



- When you are finished, reconnect the refrigerator to the electrical source and reset the controls (Thermostat, Refrigerator Control, and or Freezer Control, depending on the model) to the desired setting.

### POWER INTERRUPTIONS

1. If the power will be out for 24 hours or less, keep all refrigerator doors closed to help foods stay cold and frozen.
2. If the power will be out for more than 24 hours:
  - a) Remove all frozen food and store it in a frozen food locker.

### WHEN YOU GO ON VACATION

**If you choose to leave the refrigerator on while you are away,** follow these steps to prepare your refrigerator before you leave.

1. Use up any perishables and freeze other items.
2. Empty the ice bin.
3. Turn off the Icemaker.

**If you choose to turn the refrigerator off before you leave,** follow these steps.

1. Remove all food from the refrigerator.
2. Depending on your model, set the thermostat control (refrigerator control) to OFF. See the **Setting the Controls** section.
3. Clean refrigerator, wipe it and dry well.
4. Tape rubber or wood blocks to the tops of both doors to prop them open far enough for air to get in. This stops odor and mold from building up.

### WHEN YOU MOVE

When you are moving your refrigerator to a new home, follow these steps to prepare it for the move.

1. Remove all food from the refrigerator and pack all frozen food in dry ice.
2. Depending on your model, turn the thermostat control (refrigerator control) to OFF. See the **Setting the Controls** section.
3. Unplug the refrigerator.
4. Clean, wipe and dry thoroughly.
5. Take out all removable parts, wrap them well and tape them together so they don't shift and rattle during the move. Refer to sections in Using your Refrigerator for removable instructions.
6. Depending on the model, raise the front of the refrigerator so it rolls more easily OR screw in the leveling legs all the way so they don't scrape the floor. See the **Door Closing** section.
7. Tape the doors shut and tape the power cord to the refrigerator cabinet.

When you get to your new home, put everything back and refer to the **Installing Your Refrigerator** section for preparation instructions.

# ABOUT THE AUTOMATIC ICEMAKER

## AUTOMATIC ICEMAKER

Ice is made in the automatic icemaker and sent to the dispenser. The automatic icemaker can make 6 ice cubes at a time, 80–130 cubes per 24-hour period. This quantity may vary by circumstance, including freezer compartment temperature, room temperature, number of door openings, freezer load, and other operating conditions.

- It takes about 12 to 24 hours for a newly installed refrigerator to make ice.
- Icemaking stops when the ice storage bin is full.
- To turn off the automatic icemaker, set the icemaker switch to OFF(O). To turn on the automatic icemaker, set the switch to ON(I).
- You can regulate the cube size by pressing the Cube Size Select Button.

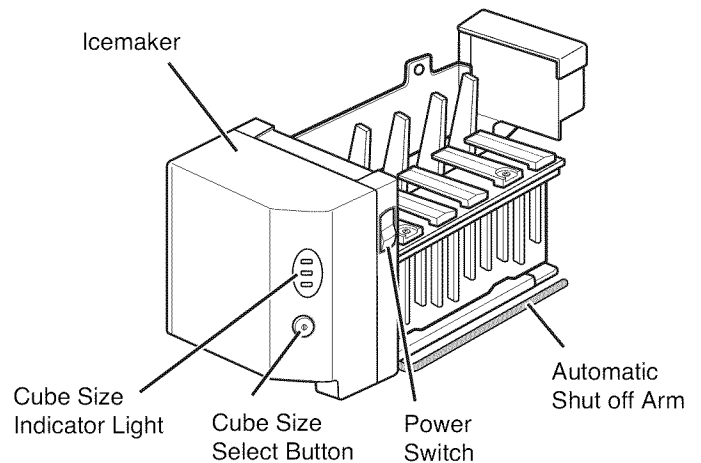
**NOTE:** It is normal that a noise is produced when ice drops into the ice storage bin.

- Even when the water pipe is not connected and the Ice Maker is turned on, the water valve operates. The noise is generated because the water pipe is not connected, which does not mean the icemaker is defective.

## **⚠** WARNING

### Personal Injury Hazard

Avoid contact with the moving parts of the ejector mechanism, or with the heating element that releases the cubes. **DO NOT** place fingers or hands on the automatic icemaking mechanism while the refrigerator is plugged in.



**NOTE:** Raising the automatic shutoff arm does not turn off the icemaker.

## ABOUT THE AUTOMATIC ICEMAKER

### ▲ CAUTIONS

- The first ice and water may include particles or odor from the water supply line or the water tank.
- Throw away the first few batches of ice (about 20 pieces) and purge for 2 minutes that are dispensed after refrigerator installation.
- This is also necessary if the refrigerator has not been used for a long time.
- Never store beverage cans or other foods in the ice bank for the purpose of rapid cooling. Doing so may damage the icemaker or the containers may burst.
- If discolored ice is dispensed, check the water filter and water supply. If the problem continues, contact a Sears or other qualified service center. Do not use the ice or water until the problem is corrected.
- Keep children away from the dispenser. Children may play with or damage the controls.
- The ice passage may also become blocked with frost if only crushed ice is used. Remove the frost that accumulates.
- Never use thin crystal glass or crockery to collect ice. Such glasses or containers may break, and glass fragments could be in the ice.
- Dispense ice into a glass before filling it with water or other beverages. Splashing may occur if ice is dispensed into a glass that already contains liquid.
- Never use a glass that is exceptionally narrow or deep. Ice may jam in the ice passage and refrigerator performance may be affected.
- Keep the glass at a proper distance from the ice outlet. A glass held too close to the outlet may prevent ice from dispensing.
- To avoid personal injury, keep hands out of the ice door and passage.
- Never remove the icemaker cover.
- If you find ice or water dispensed unexpectedly, turn off the water supply and contact a Sears Service Center. Call **1-800-4-MY-HOME** (24 hours a day, 365 days a year) and select the option to locate an authorized servicer.

### WHEN YOU SHOULD SET THE ICEMAKER POWER SWITCH TO O (OFF)

- When the water supply will be shut off for several hours.
  - When the ice storage bin is removed for more than a minute or two.
  - When the refrigerator will not be used for several days.
- NOTE:** Ice Bin should be emptied anytime the icemaker on/off switch is turned to the OFF position.

### NORMAL SOUNDS YOU MAY HEAR

- The icemaker water valve will buzz as the icemaker fills with water. If the power switch is in the **I (on)** position, it will buzz even if it has not yet been hooked up to water. To stop the buzzing, move the power switch to **O (off)**.
- NOTE:** Ice Bin should be emptied anytime the icemaker on/off switch is turned to the OFF position.
- NOTE:** Keeping the power switch in the **I (on)** position before the water line is connected can damage the icemaker.
- You will hear the sound of cubes dropping into the bin and water running in the pipes as the icemaker refills.

### PREPARING FOR VACATION

Set the icemaker power switch to **O (off)** and shut off the water supply to the refrigerator.

**NOTE:** Ice Bin should be emptied anytime the icemaker on/off switch is turned to the OFF position.

If the ambient temperature will drop below freezing, have a qualified servicer drain the water supply system to prevent serious property damage due to flooding from ruptured water lines or connections.

# CONNECTING THE WATER LINE

## BEFORE YOU BEGIN

This water line installation is not warranted by the refrigerator or icemaker manufacturer. Follow these instructions carefully to minimize the risk of expensive water damage.

Water hammer (water banging in the pipes) in house plumbing can cause damage to refrigerator parts and lead to water leakage or flooding. Call a qualified plumber to correct water hammer before installing the water supply line to the refrigerator.

To prevent burns and product damage, do not hook up the water line to the hot water line.

If you use your refrigerator before connecting the water line, make sure the icemaker power switch is in the **O (off)** position.

Do not install the icemaker tubing in areas where temperatures fall below freezing.

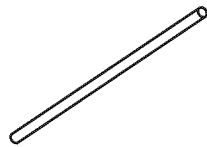
When using any electrical device (such as a power drill) during installation, be sure the device is double-insulated or grounded in a manner to prevent the hazard of electric shock, or is battery-powered.

All installations must be in accordance with local plumbing code requirements.

**NOTE:** Wear eye protection.

## WHAT YOU WILL NEED

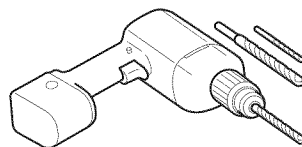
- **Copper Tubing**, 1/4" outer diameter to connect the refrigerator to the water supply. Be sure both ends of the tubing are cut square.



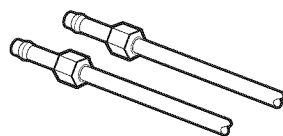
To determine how much tubing you need: measure the distance from the water valve on the back of the refrigerator to the water supply pipe. Then add 8 feet (2.4 m). Be sure there is sufficient extra tubing (about 8 feet [2.4 m] coiled into 3 turns of about 10" [25 cm] diameter) to allow the refrigerator to move out from the wall after installation.

- **A cold water supply.** The water pressure must be between 20 and 120 p.s.i. on models without a water filter and between 40 and 120 p.s.i. on models with a water filter.

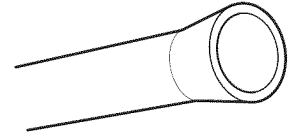
- **Power drill.**
- **1/2" or adjustable wrench.**
- **Straight- and Phillips-blade screwdriver.**



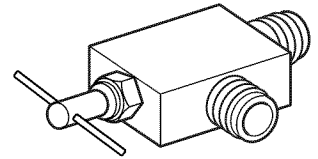
- **Two 1/4" outer diameter compression nuts and 2 ferrules (sleeves)** to connect the copper tubing to the shutoff valve and the refrigerator water valve.



- If your existing copper water line has a flared fitting at the end, you will need an **adapter** (available at plumbing supply stores) to connect the water line to the refrigerator OR you can cut off the flared fitting with a tube cutter and then use a compression fitting.



- **Shutoff valve to connect to the cold water line.** The shutoff valve should have a water inlet with a minimum inside diameter of 5/32" at the point of connection to the COLD WATER LINE. Saddle-type shutoff valves are included in many water supply kits. Before purchasing, make sure a saddle-type valve complies with your local plumbing codes.



**NOTE:** Self Piercing Saddle Type Water Valve should not be used.

## INSTALLATION INSTRUCTIONS

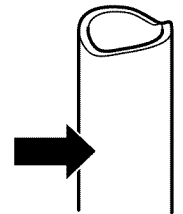
Install the shutoff valve on the nearest frequently used drinking water line.

### 1. SHUT OFF THE MAIN WATER SUPPLY

Turn on the nearest faucet to relieve the pressure on the line.

### 2. CHOOSE THE VALVE LOCATION

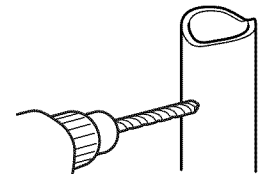
Choose a location for the valve that is easily accessible. It is best to connect into the side of a vertical water pipe. When it is necessary to connect into a horizontal water pipe, make the connection to the top or side, rather than at the bottom, to avoid drawing off any sediment from the water pipe.



### 3. DRILL THE HOLE FOR THE VALVE

Drill a 1/4" hole in the water pipe using a sharp bit. Remove any burrs resulting from drilling the hole in the pipe. Take care not to allow water to drain into the drill. Failure to drill a 1/4" hole may result in reduced ice production or smaller cubes.

**NOTE:** The hookup line cannot be white, plastic tubing. Licensed plumbers must use only copper tubing NDA tubing #49595 or 49599 or Cross Link Polyethylene(PEX) tubing.

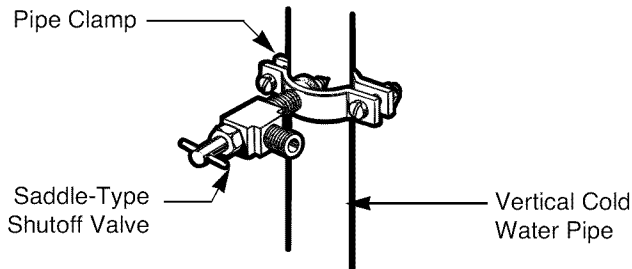


# CONNECTING THE WATER LINE

## INSTALLATION INSTRUCTIONS (CONTINUED)

### 4. FASTEN THE SHUTOFF VALVE

Fasten the shutoff valve to the cold water pipe with the pipe clamp.

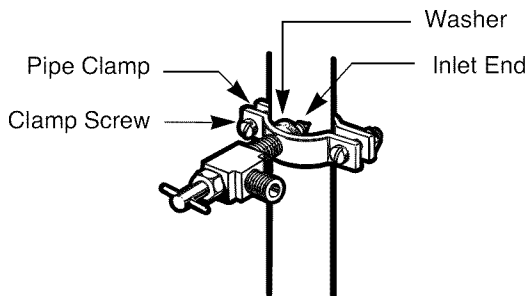


**NOTE:** Commonwealth of Massachusetts Plumbing Codes 248CMR shall be adhered to. Saddle valves are illegal and use is not permitted in Massachusetts. Consult with your licensed plumber.

### 5. TIGHTEN THE PIPE CLAMP

Tighten the clamp screws until the sealing washer begins to swell.

**NOTE:** Do not overtighten or you may crush the tubing.



### 6. ROUTE THE TUBING

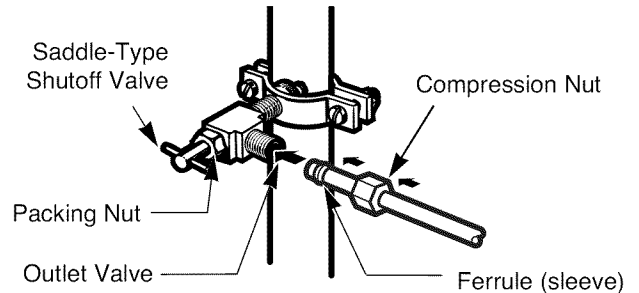
Route the tubing between the cold water line and the refrigerator.

Route the tubing through a hole drilled in the wall or floor (behind the refrigerator or adjacent base cabinet) as close to the wall as possible.

**NOTE:** Be sure there is sufficient extra tubing (about 8 feet coiled into 3 turns of about 10" diameter) to allow the refrigerator to move out from the wall after installation.

### 7. CONNECT THE TUBING TO THE VALVE

Place the compression nut and ferrule (sleeve) for copper tubing onto the end of the tubing and connect it to the shutoff valve. Make sure the tubing is fully inserted into the valve. Tighten the compression nut securely.

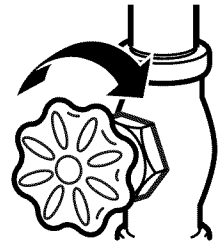


**NOTE:** Commonwealth of Massachusetts Plumbing Codes 248CMR shall be adhered to. Saddle valves are illegal and use is not permitted in Massachusetts. Consult with your licensed plumber.

### 8. FLUSH OUT THE TUBING

Turn the main water supply on and flush out the tubing until the water is clear.

Shut the water off at the water valve after about one quart of water has been flushed through the tubing.



## CONNECTING THE WATER LINE

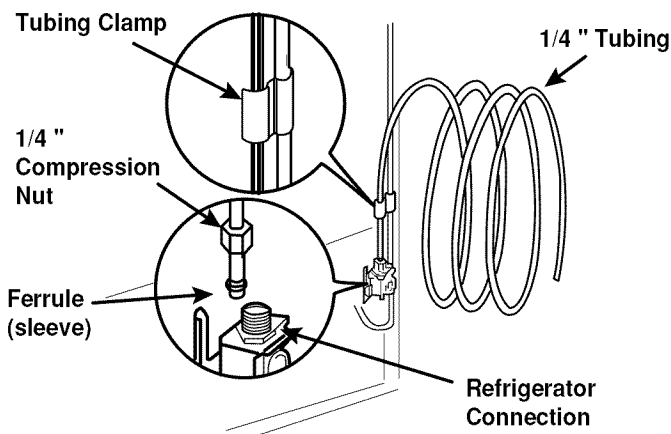
### 9. CONNECT THE TUBING TO THE REFRIGERATOR

#### NOTE:

- Before making the connection to the refrigerator, be sure the refrigerator power cord is not plugged into the wall outlet.

1. Remove the plastic flexible cap from the water valve.
2. Place the compression nut and ferrule (sleeve) onto the end of the tubing as shown.
3. Insert the end of the copper tubing into the connection as far as possible. While holding the tubing, tighten the fitting.

▲ **CAUTION:** Check to see if leaks occurs at water line connections.

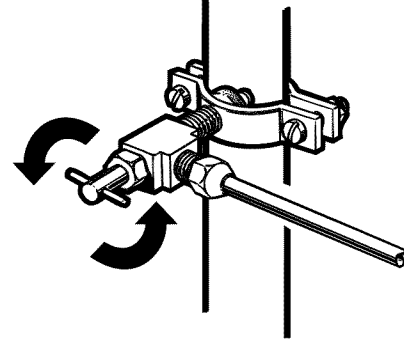


▲ **CAUTION:** Check to see if water dripping occurs at water line connections.

### 10. TURN THE WATER ON AT THE SHUTOFF VALVE

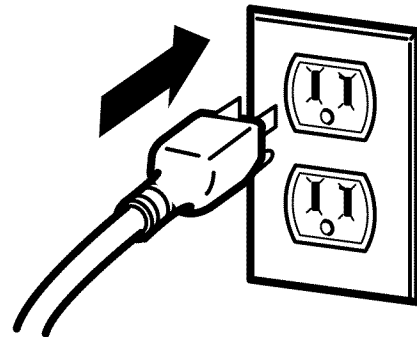
Tighten any connections that leak.

Reattach the compressor compartment access cover.



### 11. PLUG IN THE REFRIGERATOR

Arrange the coil of tubing so that it does not vibrate against the back of the refrigerator or against the wall. Push the refrigerator back to the wall.



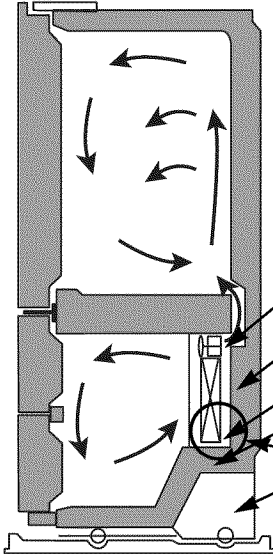
### 12. START THE ICEMAKER

Set the icemaker power switch to the **ON** position. The icemaker will not begin to operate until it reaches its operating temperature of 15°F (-9°C) or below. It will then begin operation automatically if the icemaker power switch is in the **I (on)** position.

# TROUBLESHOOTING GUIDE

## UNDERSTANDING SOUNDS YOU MAY HEAR

Your new refrigerator may make sounds that your old one didn't make. Because the sounds are new to you, you might be concerned about them. Most of the new sounds are normal. Hard surfaces, like the floor, walls and cabinets, can make the sounds seem louder than they actually are. The following describes the kinds of sounds and what may be making them.



- The defrost timer will click when the automatic defrost cycle begins and ends. The thermostat control (or refrigerator control, depending on the model) will also click when cycling on and off.
- Rattling noises may come from the flow of refrigerant, the water line, or items stored on top of the refrigerator.
- Your refrigerator is designed to run more efficiently to keep your food items at the desired temperature. The high efficiency compressor may cause your new refrigerator to run longer than your old one, and you may hear a pulsating or high-pitched sound.
- You may hear the evaporator fan motor circulating the air through the refrigerator and freezer compartments.
- As each cycle ends, you may hear a gurgling sound due to the refrigerant flowing in your refrigerator.
- Contraction and expansion of the inside walls may cause a popping noise.
- Water dripping on the defrost heater during a defrost cycle may cause a sizzling sound.
- You may hear air being forced over the condenser by the condenser fan.
- You may hear water running into the drain pan during the defrost cycle.
- You may hear noise from the freezer icing fan on the left side of the refrigerator when the door is open.

## REFRIGERATOR DOES NOT OPERATE

**Check if...**

**Then...**

The power supply cord is unplugged.	Firmly plug the cord into a live outlet with proper voltage.
A household fuse has blown or circuit breaker tripped.	Replace the fuse or reset the circuit breaker.
The refrigerator control is set to the OFF position.	Refer to the <b>Setting the Controls</b> section on page 18.
Refrigerator is in the defrost cycle.	Wait about 30 minutes for defrost cycle to end.

## VIBRATION OR RATTLING NOISE

**Check if...**

**Then...**

The refrigerator is not resting solidly on the floor.	Floor is weak or uneven or leveling legs need adjusting. See <b>Installation</b> section on page 8 and 17.
---	--

## LIGHTS DO NOT WORK

**Check if...**

**Then...**

The power supply cord is unplugged.	Firmly plug the cord into a live outlet with proper voltage.
Light bulb is loose in the socket.	Turn the refrigerator control to the OFF position and unplug the refrigerator. Gently remove the bulb and reinsert. Then plug in refrigerator and reset the refrigerator control.
Light bulb has burned out.	Replace with an appliance bulb of the same wattage, size and shape available at your local hardware store. (See the <b>Changing the Light Bulb(s)</b> section on pages 26-27.) Turn the temperature control to the OFF position and unplug the refrigerator prior to replacement.

## TROUBLESHOOTING GUIDE

### COMPRESSOR MOTOR SEEMS TO RUN TOO MUCH

Check if...	Then...
The refrigerator that was replaced was an older model.	Modern refrigerators with more storage space require more operating time.
The room temperature is hotter than normal.	The motor will run longer under warm conditions. At normal room temperatures, expect your motor to run about 40% to 80% of the time. Under warmer conditions, expect it to run even more often.
The door is opened often or a large amount of food has just been added.	Adding food and opening the door warms the refrigerator. It is normal for the refrigerator to run longer in order to cool the refrigerator back down. Adding a large amount of food warms the refrigerator. See the <b>Food Storage Guide</b> section on page 20. In order to conserve energy, try to get everything you need out of the refrigerator at once, keep food organized so it is easy to find and close the door as soon as the food is removed.
The refrigerator was recently plugged in and the refrigerator control was set correctly.	The refrigerator will take up to 24 hours to cool completely.
The refrigerator control is not set correctly for the surrounding conditions.	See the <b>Adjusting Control Settings</b> section on page 20.
The doors are not closed completely.	Push the doors firmly shut. If they will not shut all the way, see <b>Doors will not close completely</b> below.
The condenser coils are dirty.	This prevents air transfer and makes the motor work harder. Clean the condenser coils. Refer to the <b>Care and Cleaning</b> section on pages 26-27.

### DOORS WILL NOT CLOSE COMPLETELY

Check if...	Then...
The refrigerator is not level.	See <b>Leveling and Door Alignment</b> section on page 17.
Food packages are blocking the door open.	Rearrange food containers to clear door and door shelves.
The ice bin, crisper cover, pans, shelves, door bins or baskets are out of position.	Push bins all the way in and put crisper cover, pans, shelves and baskets into their correct positions. See the <b>Using Your Refrigerator</b> section on pages 18–25.
The gaskets are sticking.	Clean gaskets and the surface that they touch. Rub a thin coat of paraffin wax on the gaskets after cleaning.
The refrigerator wobbles or seems unstable.	Level the refrigerator. Refer to the <b>Leveling and Door Alignment</b> section on page 17.
The doors were removed during product installation and not properly replaced.	Remove and replace the doors according to the <b>Removing and Replacing Refrigerator handles and doors</b> section on pages 9–12, or call a qualified service technician.

### FROST OR ICE CRYSTALS ON FROZEN FOOD

Check if...	Then...
The door is not closing properly.	See <b>Doors will not close completely</b> above.
The door is opened often.	When the door is opened, warm, humid air is allowed in the freezer, resulting in frost.

## TROUBLESHOOTING GUIDE

### ICE HAS OFF-TASTE OR ODOR

Check if...	Then...
The icemaker was recently installed.	Discard first few batches of ice to avoid discolored or off-flavored ice.
The ice has been stored for too long.	Throw away old ice and make new supply.
The food has not been wrapped tightly in either compartment.	Rewrap foods since odors may migrate to the ice if food is not wrapped properly.
The water supply contains minerals such as sulfur.	A filter may need to be installed to eliminate taste and odor problems.
The interior of refrigerator needs cleaning.	See <b>Care and Cleaning</b> section on pages 26-27.
Ice storage bin needs cleaning.	Empty and wash bin. Discard old cubes.

### THERE IS WATER IN THE DEFROST DRAIN PAN

Check if...	Then...
The refrigerator is defrosting.	The water will evaporate. It is normal for water to drip into the defrost pan.
It is more humid than normal.	Expect that the water in the defrost pan will take longer to evaporate. This is normal when it is hot or humid.

### THE REFRIGERATOR SEEMS TO MAKE TOO MUCH NOISE

Check if...	Then...
The sounds may be normal for your refrigerator.	Refer to the <b>Understanding Sounds You May Hear</b> section on page 33.

### THE ICEMAKER IS NOT PRODUCING ICE OR ICE CUBES ARE FREEZING TOO SLOWLY

Check if...	Then...
The freezer temperature is cold enough to produce ice.	Wait 24 hours after hook-up for ice production. See the <b>Setting the Controls</b> section on page 18.
Door left open.	Check to see if something is holding the door open.

### CUBES PRODUCED BY ICEMAKER ARE TOO SMALL

Check if...	Then...
Smaller cube size level is selected.	Select larger cube size using cube size selector.
Water shutoff valve connecting refrigerator to water line may be clogged.	Call a plumber to clear the valve.

## TROUBLESHOOTING GUIDE

### THE DOORS ARE DIFFICULT TO OPEN

Check if...	Then...
The gaskets are dirty or sticky.	Clean gaskets and the surfaces that they touch. Rub a thin coat of appliance polish or kitchen wax on the gaskets after cleaning.
The door is reopened within a short time after having been opened.	When you open the door, warmer air enters the refrigerator. As the warm air cools, it can create a vacuum. If the door is hard to open, wait 5 minutes to allow the air pressure to equalize, then see if it opens more easily.

### TEMPERATURE IS TOO WARM OR THERE IS INTERIOR MOISTURE BUILDUP

Check if...	Then...
The air vents are blocked. Cold air circulates from the freezer to the fresh food section and back again through air vents in the wall dividing the two sections.	Locate air vents by using your hand to sense airflow and move all packages that block vents and restrict airflow.
The doors are opened often.	When the door is opened, warm humid air is allowed into the refrigerator. The more the door is opened, the faster the humidity builds up, and the more warm air the refrigerator must cool. In order to keep the refrigerator cool, try to get everything you need out of the refrigerator at once, keep food organized so it is easy to find and close the door as soon as the food is removed.
The control is not set correctly for the surrounding conditions.	Refer to the <b>Setting the Controls</b> section on page 18. Wait 24 hours for temperatures to stabilize or even out. If the temperature is too cold or too warm, move the dial one number at a time.
A large amount of food has just been added to the refrigerator or freezer.	Adding food warms the refrigerator. It can take a few hours for the refrigerator to return to normal temperature.
The food is not packaged correctly.	Wrap food tightly and wipe off damp containers prior to storing in the refrigerator to avoid moisture accumulation. If necessary, repackage food according to the guidelines in the <b>Food Storage Guide</b> section on page 20.
The doors are not closing completely. The weather is humid.	See <b>Doors will not close completely</b> on page 34. In humid weather, air carries moisture into refrigerator when doors are opened.
A self-defrost cycle was completed.	It is normal for droplets to form on the back wall after the refrigerator self-defrosts.







# ÍNDICE

<b>Versión En España</b>	<b>40</b>	Control De La Humedad Del Recipiente Para Hortalizas Firmes	61
<b>Garantía</b>	<b>41</b>	Para Retirar El Recipiente Para Hortalizas	61
<b>Contrato Maestro De Protección</b>	<b>42</b>	Glide'N'Serve (Cajón Deslizante)	61
<b>Mensajes De Seguridad</b>	<b>43-44</b>	Canastas Ajustables	61
<b>Requerimientos De Conexión A Tierra</b>	<b>44</b>	Recipiente Para Lácteos	61
<b>Partes Y Características</b>	<b>45</b>	Caja De Huevos	61
<b>Instalación Del Refrigerador</b>	<b>46-55</b>	<b>► SECCIÓN CONGELADOR</b>	
Desempacando El Refrigerador	46	Depósito De Hielo Extra	62
Instalación	46	Divisor De La Durabase	62
Cómo Quitar Y Volver a Colocar Las Jaladeras De La Puerta, Del Cajón	47-50	FILTRO De Agua	63
Desmontaje E Instalación Del Cajón Extraíble	51-54	<b>Cuidado Y Limpieza</b>	<b>64-65</b>
Nivelación Y Alineación De La Puerta	55	Consejos Generales De Limpieza	64
Cubierta de la base	55	Parte Exterior	64
<b>Usando Su Refrigerador</b>	<b>56-63</b>	Paredes Internas	64
Configurando Los Controles	56	Revestimientos Y Empaques De La Puerta	64
Asegurar La correcta Circulación Del Aire	56	Partes Plásticas	64
Depósito De Hielo Del Interior De La Puerta	57	Bobinas Del Condensador	64
Ajuste De Los Controles	58	Reemplazo Del Foco	64-65
Guía De Almacenamiento De Alimentos	58	Apagones	65
Como Guardar Alimentos Congelados	59	Cuando Ud. Salga De Vacaciones Si Se Muda	65
<b>► SECCIÓN REFRIGERADOR</b>		<b>Acerca De La Fábrica De Hielo</b>	<b>66-67</b>
Dispensador Del Agua	59	<b>Conexión De La Línea De Agua</b>	<b>68-70</b>
Anaqueles Del Refrigerador	60	<b>Guía Para Localización De Problemas</b>	<b>71-74</b>
Soporte Para Vino (Opción)	60		



## GARANTIA DEL FRIGORIFICO CON CONGELADOR INFERIOR

### Garantía limitada de Kenmore Elite

Si, tras ser instalado, operado y mantenido según todas las instrucciones incluidas con el producto, este electrodoméstico sufriera averías debidas a defectos de material y mano de obra, dentro del período de un año desde la fecha de compra, llame al 1-800-4-MY-HOME® para su reparación gratuita.

Si el sistema de refrigeración estanco resulta defectuoso en un plazo de cinco años desde la fecha de compra, llame al 1-800-4-MY-HOME® para solicitar su reparación gratuita.

Esta garantía será efectiva únicamente durante 90 días a partir de la fecha de compra si este electrodoméstico es utilizado en alguna ocasión para fines distintos al del uso familiar privado.

### Esta garantía cubre únicamente los defectos de material y mano de obra. Sears NO cubrirá:

1. Elementos consumibles que pueden gastarse debido al uso normal, incluyendo de forma enunciativa pero no limitativa, los filtros, correas, focos y bolsas de la unidad.
2. Un técnico de servicio para mostrar al usuario la instalación, funcionamiento o mantenimiento correctos del producto.
3. Un técnico de servicio para realizar labores de limpieza o mantenimiento del producto.
4. Daños o averías en caso de no acatar todas las instrucciones de instalación, funcionamiento o mantenimiento incluidas con el producto.
5. Daños o averías en caso de accidente, abuso, uso inadecuado o uso con propósitos distintos a los fines para los que fue diseñado.
6. Daños o averías en caso de utilizar detergentes, limpiadores, sustancias químicas o utensilios distintos a los recomendados en las instrucciones incluidas con el producto.
7. Daños o averías en las piezas o sistemas provocadas por modificaciones del producto no autorizadas.

### Cláusula de exención de responsabilidad o garantías implícitas; limitación de recursos

El único y exclusivo recurso del cliente bajo esta garantía limitada será la reparación del producto como se ha mencionado. Las garantías implícitas, incluyendo garantías de comerciabilidad o idoneidad para un fin concreto, están limitadas a un año o el período de tiempo más reducido permitido por la ley. Sears no será responsable de los daños incidentales o derivados. Ciertos estados y provincias no permiten exclusiones o limitaciones de daños incidentales o derivados, o limitaciones en relación a la duración de las garantías implícitas de comerciabilidad o idoneidad, de tal forma que estas limitaciones o excepciones pueden no ser pertinentes para usted.

Esta garantía será aplicable únicamente mientras este electrodoméstico sea utilizado dentro de los Estados Unidos o Canadá.

Esta garantía le otorga unos derechos legales específicos, e incluso puede conferirle otros derechos, distintos dependiendo del estado en que se encuentre.

**Sears, Roebuck and Co., Hoffman Estates, IL 60179**

**Sears Canadá Inc., Toronto, Ontario, Canadá M5B 2B8**

## CONTRATO MAESTRO DE PROTECCION

### Contratos de protección maestra

*Felicidades por realizar una compra inteligente.* Su nuevo producto Kenmore® ha sido diseñado y manufacturado para proporcionarle años de funcionamiento fiable. Pero, como todos los productos, puede necesitar un mantenimiento preventivo o reparaciones puntuales. Contar con una Acuerdo maestro de protección puede ahorrarle dinero y problemas.

El Contrato de protección maestra también le ayuda a ampliar la vida de su nuevo producto. Lo siguiente es lo que se incluye en el contrato\*:

- Piezas y mano de obra** necesaria para ayudar a mantener los productos en funcionamiento adecuado **bajo un uso normal**, no sólo defectos. Nuestra cobertura va **mucho más allá de la garantía del producto**. Sin franquicia, ni falla funcional excluidos de la cobertura: **protección real**.
- Servicio experto** otorgado por un grupo de más de 10.000 técnicos de reparación autorizados de Sears, lo que significa que alguien en quien usted confía trabajará con su producto.
- Servicio ilimitado a domicilio en toda la nación**, cuantas veces quiera, cuando lo necesite.
- Garantía contra productos defectuosos:** reposición de su producto cubierto si ocurren cuatro o más fallas del producto dentro de doce meses.
- Reposición del producto** si el producto cubierto no puede repararse.
- Revisión anual de mantenimiento preventivo** a su solicitud: sin cargo adicional.
- Ayuda rápida por teléfono;** nosotros la llamamos **Resolución rápida.** asistencia telefónica en todos los productos por parte de un representante de Sears. Piense en nosotros como en un "manual del usuario parlante".
- Protección contra descargas eléctricas** para daños debido a fluctuaciones eléctricas.
- Protección por pérdida de alimentos de \$250** anualmente por alimentos que se han echado a perder por un mal funcionamiento de refrigeradores o freezers cubiertos por la garantía.
- Reembolso por alquiler** si la reparación del producto cubierto toma más tiempo del prometido.
- 10% de descuento** del precio común de cualquier reparación no cubierta y piezas instaladas relacionadas.

Una vez que adquiera el contrato, sólo necesita realizar una llamada telefónica para programar el servicio. Puede llamar a cualquier hora del día o de la noche, o programar la cita del servicio por Internet.

El Acuerdo principal de protección se traduce en una compra libre de riesgos. Si decidiera cancelarlo por cualquier motivo durante el período de garantía del producto, le proporcionaremos un reembolso completo. O un reembolso proporciona en cualquier momento tras la terminación del período de garantía del producto. ¡Adquiera hoy mismo su Acuerdo maestro de protección!

#### Existen ciertas limitaciones y exclusiones.

**Para precios e información adicional, llame al 1-800-827-6655.+**

**\* La cobertura en Canadá es diferente en algunos ítems. Para más detalles llame a Sears Canadá al 1-800-361-6665.**

#### Servicio de instalación de Sears

*Para la instalación profesional garantizada de Sears de electrodomésticos, dispositivos para abrir puertas de garaje, calentadores de agua y otros aparatos importantes para el hogar, en los EE.UU. o Canadá llame al 1-800-4-MY-HOME®.*

## REGISTRO DEL PRODUCTO

En el espacio inferior, registre la fecha de compra, modelo y número de serie de su producto. Usted encontrará el modelo y número de serie impresos en una etiqueta de identificación localizada en el lado derecho adentro del refrigerador. Tenga estos datos a la mano cada vez que contacte a Sears para algo relacionado con su producto.

Modelo. \_\_\_\_\_

Fecha de Compra \_\_\_\_\_

No. de Serie \_\_\_\_\_

Distribuidor \_\_\_\_\_

Guarde estas instrucciones y anexe su recibo de compra para futuras referencias.

# INFORMACIÓN IMPORTANTE SOBRE SEGURIDAD.

## PRECAUCIONES BÁSICAS DE SEGURIDAD.

Esta guía contiene muchos mensajes importantes sobre la seguridad. **Lea y obedezca** siempre todos mensajes de seguridad.



Este es el símbolo de Alerta de seguridad. Sirve para alertarle sobre la presencia de mensajes de seguridad que le informan acerca de peligros potenciales que pueden ocasionar la muerte o lesiones tanto a usted como a otras personas, o que pueden ocasionar daños al producto.

Todos los mensajes de seguridad serán precedidos por el símbolo de alerta de seguridad y por una de las siguientes palabras de alerta: PELIGRO, ADVERTENCIA, CUIDADO. Estas palabras significan:



**PELIGRO**

Si no sigue las instrucciones, Ud. **sufrirá** lesiones graves o muerte.



**ADVERTENCIA**

Si no sigue las instrucciones, usted **puede** morir o sufrir lesiones graves.



**CUIDADO**

Indica una situación de riesgo inminente, que si no se evita, **puede** resultar en lesiones leves o moderadas, o sólo en daños al producto.

Todos los mensajes de seguridad le dirán el peligro potencial, le dirán cómo reducir las posibilidades de sufrir una lesión y lo que puede suceder si no se siguen las instrucciones.

## ⚠ ADVERTENCIA

**Para reducir el riesgo de fuego, de choques eléctricos, o de lesiones a las personas, deben seguir las siguientes precauciones de seguridad:**

**Lea todas las instrucciones antes de utilizar este aparato.**

- NUNCA desconecte a su refrigerador jalando del cable de alimentación. Siempre agarre el enchufe firmemente y jálelo derecho hacia afuera del tomacorriente.
- Repare o reemplace inmediatamente todas las extensiones de alimentación eléctrica que se hayan desgastado o dañado de alguna manera. No utilice una extensión que tenga grietas o arañazos en algún lugar a lo largo del cable, o en el extremo donde está su enchufe o su tomacorriente.
- No modifique o extienda el cable de alimentación. Esto podría causar un corto circuito o un fuego.
- Cuando aparte su refrigerador de la pared, evite enrollar o dañar el cable de alimentación.
- NO almacene ni use gasolina u otros líquidos o vapores combustibles cerca de éste ni de cualquier otro aparato electrodoméstico.
- NO permita que los niños escalen, se paren o se cuelguen de las puertas o estantes del refrigerador. Ellos podrían dañar al refrigerador y lastimarse gravemente.
- Mantenga sus dedos alejados de los puntos de pellizco; por necesidad, el espacio entre las puertas y el gabinete es pequeño. Tenga cuidado al cerrar las puertas cuando hay niños en el área.
- Desconecte el refrigerador antes de limpiarlo o de hacer cualquier reparación.

**NOTA:** Recomendamos encarecidamente que cualquier servicio de mantenimiento debe ser realizado por una persona calificada.

- Antes de cambiar una bombilla quemada, desconecte el refrigerador o apague la energía eléctrica en el cortacircuito o en la caja de fusibles, para evitar un contacto con un filamento de alambre que tenga voltaje. (Es posible que una bombilla quemada se rompa al tratar de cambiarla.)

**NOTA:** Algunos modelos tienen un bombillo LED por esta razón solo un técnico calificado debería reparaer la unidad.

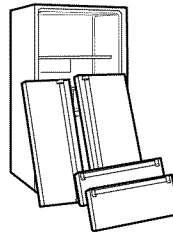
**NOTA:** Poniendo uno o ambos controles en la posición de OFF (APAGADO) no elimina la electricidad del circuito de iluminación.

- Cuando haya terminado, reconecte la refrigeradora a la fuente de energía y ajuste los controles a la temperatura deseada. (Control del Termostato del Refrigerador y/o congelador, dependiendo del modelo)
- Este refrigerador debe ser instalado correctamente de acuerdo con **Atención Instrucciones para el Instalador** que se aseguraron con cinta adhesiva al frente del refrigerador.
- No toque las superficies frías del compartimiento congelador con las manos mojadas o húmedas, después de que su refrigerador esté funcionando. La piel se puede adherir a las superficies extremadamente frías.
- En los refrigeradores que tienen fábricas automáticas de hielo, evite el contacto con las partes móviles del mecanismo expulsor y con el elemento calefactor que libera a los cubitos. Cuando el refrigerador esté conectado, NO ponga los dedos ni las manos en el mecanismo automático de hacer hielo.
- NO vuelva a congelar los alimentos que se hayan descongelado totalmente. El Departamento de Agricultura de Estados Unidos en su Boletín No. 69 de Hogar y Jardín dice:  
...Usted puede volver a congelar sin peligro, los alimentos congelados que se hayan descongelado, siempre y cuando ellos todavía contengan cristales de hielo, o si continúan fríos — a menos de 40°F (4°C).  
...La carne molida, aves o pescado que tengan un mal olor, o un mal color no deben volver a ser congelados y no deben ser consumidos. Los helados que se hayan descongelado deben ser desechados. Si el olor o el color de algún alimento es malo o dudoso, deséchelo. Puede ser peligroso consumir ese alimento. Hasta un descongelamiento parcial seguido de volver a congelar los alimentos reduce su calidad, especialmente la de las frutas, hortalizas y alimentos preparados. La calidad de las carnes rojas se afecta menos que la de muchos otros alimentos. Para poder salvar lo más que se pueda de su calidad, consuma los alimentos que se hayan vuelto a congelar, tan pronto como sea posible.

## GUARDE ESTAS INSTRUCCIONES

## ⚠ PELIGRO: LOS NIÑOS PUEDEN QUEDAR ATRAPADOS

Refrigeradores que no estén en operación o abandonados son peligrosos ... aun así cuando *solo sea por unos días*. Si necesita deshechar su refrigerador, por favor siga las instrucciones a la derecha para prevenir cualquier accidente (Niños se pueden quedar encerrados y asfixiarse).



### ANTES DE TIRAR SU REFRIGERADOR O CONGELADOR VIEJO

- Retire las puertas.
- Deje los estantes en su sitio para que los niños no puedan meterse adentro fácilmente.

## CÓMO DESECHAR CFCs

Es posible que su refrigerador viejo tenga un sistema de refrigeración que utilizaba CFCs (clorofluorocarbonos). Se cree que los CFCs hacen daño al ozono de la estratosfera.

Si usted va a deshacerse de su refrigerador viejo, asegúrese de que el refrigerante CFC sea retirado por una persona de mantenimiento calificada. Si libera intencionalmente el refrigerante CFC, Ud. puede estar sujeto a multas o prisión, según lo previsto en la legislación ambiental vigente.

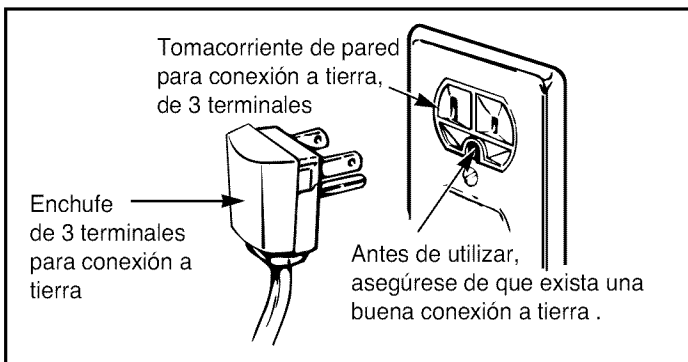
## REQUERIMIENTOS DE CONEXIÓN A TIERRA

**IMPORTANTE:** Favor de leer con cuidado.  
**CONEXIÓN ELÉCTRICA**

### ⚠ ADVERTENCIA

#### Riesgo de Choque Eléctrico

**PARA LA SEGURIDAD PERSONAL**, este aparato debe estar conectado a tierra correctamente. Haga revisar el circuito y el tomacorriente de pared por un electricista calificado, para asegurarse de que el tomacorriente este conectado a tierra correctamente.



### MÉTODO DE CONEXIÓN A TIERRA RECOMENDADO

Su refrigerador debe estar siempre enchufado en su propio tomacorriente, que debe estar conectado correctamente a tierra. El circuito eléctrico debe ser de 115 voltios AC, 60 Hz, con fusibles de 15 A 20 amperios. Esto brinda el mejor desempeño y evita que se produzcan sobrecargas en los circuitos eléctricos de la casa, los cuales podrían ocasionar riesgos de incendio debido a un sobrecalentamiento de los cables. Se recomienda proveer un

circuito separado, sólo para este producto. Use un receptáculo que no pueda ser desconectado por medio de un interruptor de pared o de cadena. No utilice un cable de extensión. Cuando se encuentre un tomacorriente de pared de dos terminales, es su responsabilidad y obligación personal hacerlo reemplazar con un tomacorriente de pared que éste correctamente conectado a tierra.

**Bajo ninguna circunstancia se debe cortar ni quitar el tercer terminada (tierra) del cable de alimentación.**

**No utilice un adaptador de corriente.**

**NOTA:** Atención: Antes de instalar, limpiar o cambiar el bombillo de la unidad, desconecte el refrigerador de la fuente de electricidad.

**NOTA:** Algunos modelos tienen un bombillo LED por esta razón solo un técnico calificado debería reparar la unidad.

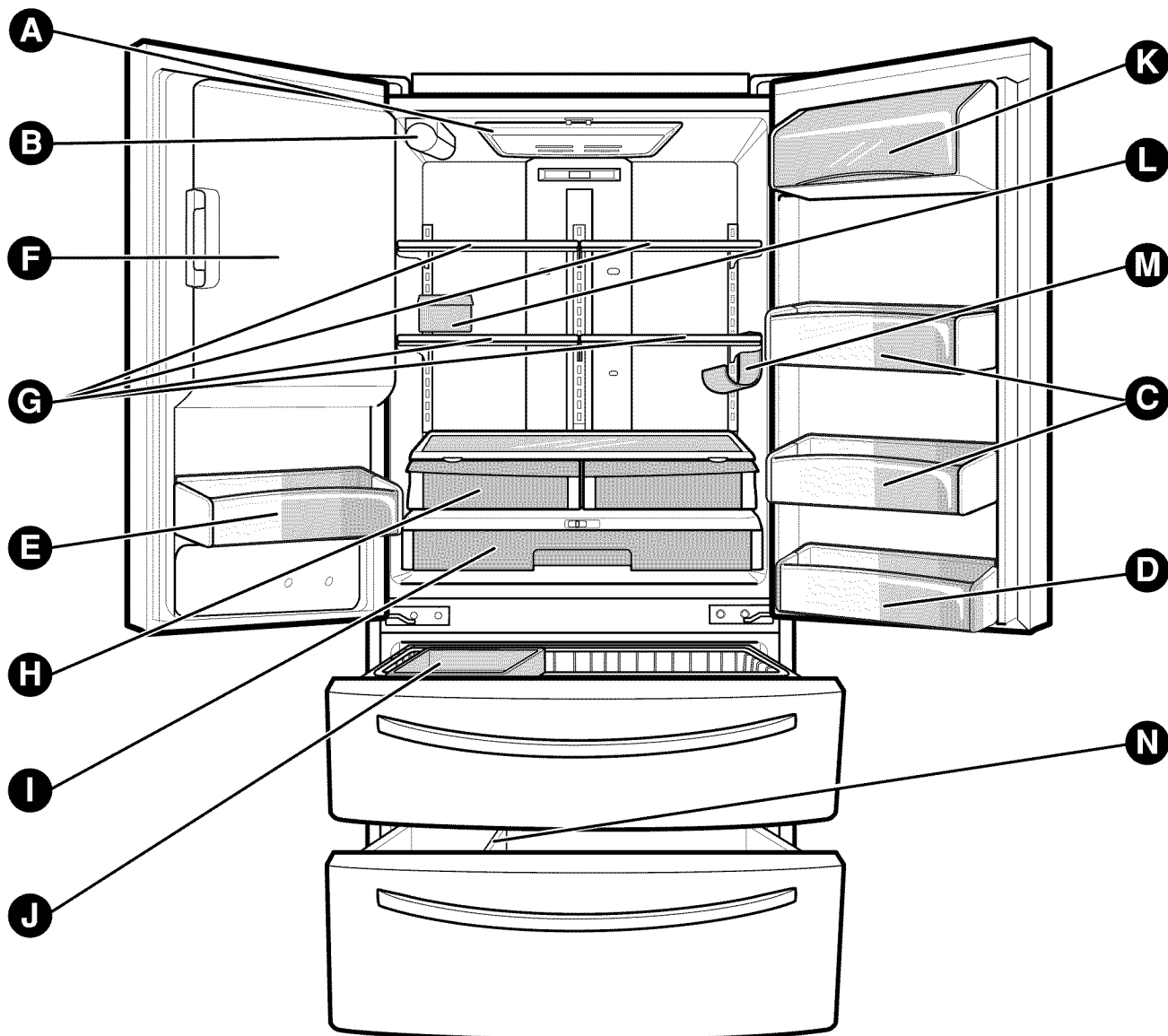
Cuando haya terminado, reconecte la refrigeradora a la fuente de energía y ajuste los controles a la temperatura deseada. (Control del Termostato del Refrigerador y/o congelador, dependiendo del modelo)

### USO DE CABLES DE EXTENSIÓN

**Debido a potenciales riesgos de seguridad, nosotros le recomendamos encarecidamente que no utilice cables de extensión.** Sin embargo, si usted todavía elige utilizar un cable de extensión, es absolutamente necesario que utilice un cable de extensión que se encuentre en la lista UL (Estados Unidos), de 3 conductores con conexión a tierra, apropiado para aparatos electrodomésticos, que tenga un enchufe y un tomacorriente para conexión a tierra, y que la capacidad eléctrica del cable sea de 15 amperios (mínimo) y 120 voltios.

El uso de un cable de extensión aumentará el espacio libre necesario en la parte de atrás de su refrigerador.

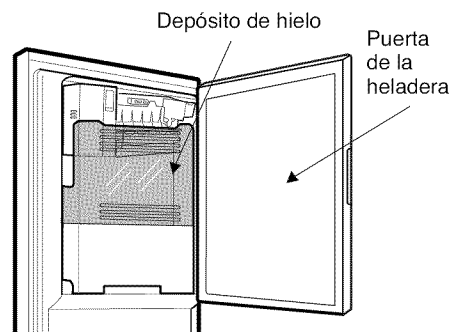
## PARTES Y CARACTERÍSTICAS



Use esta sección para familiarizarse más con las partes y características.

**NOTA:** Esta guía cubre varios modelos diferentes. Es posible que el refrigerador que usted ha comprado tenga algunas o todas las partes que aparecen en la siguiente lista. Es posible que la posición de algunas de las características que se muestran a continuación no coincida con la de su modelo.

- A** Luz de refrigerador
- B** Filtro (Interno) (p. 63)
- C** Depósito con puertas modulares (p. 61)
- D** Depósito para puerta fijo
- E** Depósito para puerta inclinable
- F** Heladera (p. 57)  
(Máquina de cubitos y bandeja de hielo)
- G** Anaqueles Del Refrigerador (p. 60)
- H** Cajones super frescos con compartimientos inclinables (p. 61)  
(Mantiene frutas y verduras frescas y crujientes durante más tiempo)
- I** Cajón "Deslizar y Servir" (p. 61)
- J** Depósito de hielo extra (p. 62)
- K** Compartimento de Lácteos (p. 61)
- L** Caja de Huevos (p. 61)
- M** Sorporte para vino  
(Solamente 795.7878\* Modelo)(p. 60)
- N** Divisor de la Durabase (p. 62)



# INSTALACIÓN DEL REFRIGERADOR

## ⚠️ ADVERTENCIA

### Peligro por Exceso de Peso

Use dos o más personas para mover e instalar el refrigerador.

Si no lo hace así, puede resultar en lesión de la espalda o de otro tipo.

## DESEMPACANDO EL REFRIGERADOR

Retire todos los restos de cinta y etiquetas temporales del refrigerador antes de iniciar el uso. No retire las etiquetas de advertencia, el número de modelo y el de serie, o la hoja técnica adjunta a la parte posterior del refrigerador.

Para quitar cualquier cinta o pegamento remanente, frote rápido el área con su dedo. El residuo de cinta o pegamento puede ser removido fácilmente frotando una pequeña cantidad de jabón líquido para vajillas sobre el adhesivo con sus dedos. Enjuague con agua tibia y seque.

No use instrumentos afilados, alcohol, ni fluidos inflamables o limpiadores abrasivos para remover la cinta o pegamento. Estos productos pueden dañar la superficie de su refrigerador. Para más información, vea la sección

### Instrucciones de Seguridad Importantes.

Los estantes del refrigerador están instalados en la posición para transporte.

Favor de reinstalar los anaqueles de acuerdo a sus necesidades individuales de almacenamiento.

## ⚠️ ADVERTENCIA

### Cuando Mueva su Refrigerador:

Su refrigerador es pesado. Cuando mueva el refrigerador para su limpieza o servicio, asegúrese de proteger el piso. Mantenga siempre de pie el refrigerador al moverlo. No menee ni haga caminar al refrigerador cuando trate de moverlo, puesto que podría ocurrir daño al piso.

## ⚠️ ADVERTENCIA

### Peligro de Explosión

Mantenga los materiales y vapores inflamables, tales como gasolina, lejos del refrigerador.

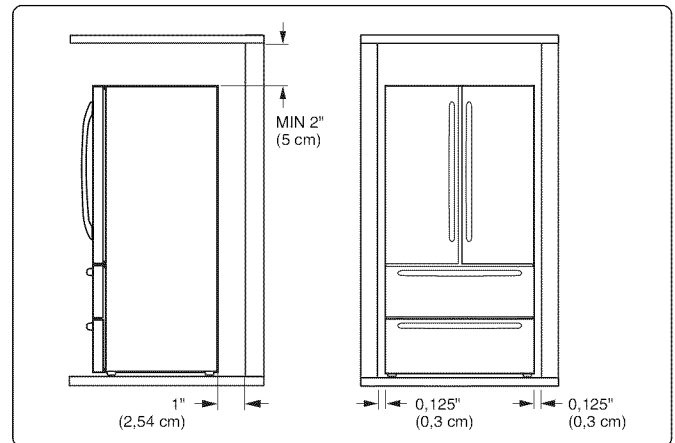
Una falla en hacer esto, puede resultar en muerte, explosión o incendio.

- Para reducir el riesgo de una descarga eléctrica, no instale el refrigerador en un área que este húmeda o mojada.
- Seleccione un lugar donde la fábrica de hielo pueda ser conectada con facilidad a una línea de agua.

⚠️ **CUIDADO:** Evite colocar la unidad cerca de fuentes de calor, luz directa del sol o humedad.

## INSTALACIÓN

- Para minimizar el ruido y la vibración, el refrigerador tiene que ser instalado solo sobre un piso sólido.
  - No recomendamos instalara la unidad sobre alfombras u otras superficies.
  - Nunca instale el refrigerador sobre una plataforma o alguna estructura que no tenga el soporte adecuado.
1. Para evitar la vibración la unidad debe estar nivelada. Si se requiere, ajuste los tornillos de nivelación para compensar el desnivel del piso. El frente debería ser ligeramente más alto que la parte posterior para ayudar a cerrar la puerta. Los tornillos de nivelación pueden ser girados con facilidad inclinando ligeramente el gabinete. Gire los tornillos de nivelación en el sentido de las manecillas del reloj (↻) para elevar la unidad, en el sentido contrario al de las manecillas del reloj (↺) para bajarlo.
  2. Instale este aparato en un área donde la temperatura esté entre 55°F (13°C) y 110°F (43°C). Si la temperatura alrededor del aparato es demasiado baja o alta, la capacidad para enfriar puede ser afectada adversamente.
  3. Deje libre una separación de al menos 2 pulgadas (51 mm) entre la parte superior 0,125 pulgadas (3,2 mm) y las paredes laterales, para mejorar la capacidad de enfriamiento, facilitar la instalación, mejorar la circulación del aire y las conexiones eléctricas.



4. Una separación demasiado reducida entre la unidad y los elementos cercanos podría ocasionar una reducción de la capacidad de congelación y un aumento del consumo de electricidad. Deje libre una separación de al menos 24 pulgadas (61 cm) desde la parte frontal del frigorífico para abrir las puertas.

## LUEGO

1. Limpie a fondo su refrigerador y retire todo el polvo acumulado durante su transporte.
2. Instale los accesorios tales como bandeja para cubos de hielo, cajones, estantes, etc., en sus lugares apropiados. Estos vienen empacados juntos para evitar posible daño durante el transporte.
3. Permita que su refrigerador funcione por al menos 2 ó 3 horas antes de colocar alimentos en él. Verifique el flujo de aire frío en el compartimiento del congelador para asegurar un enfriamiento apropiado.

# INSTALACIÓN DEL REFRIGERADOR

**NOTA:** SIEMPRE es recomendable desmontar las puertas del refrigerador cuando sea necesario desplazar el electrodoméstico a través de un hueco estrecho. Si fuera necesario, siga las direcciones recogidas a continuación para desmontar los tiradores de las puertas.

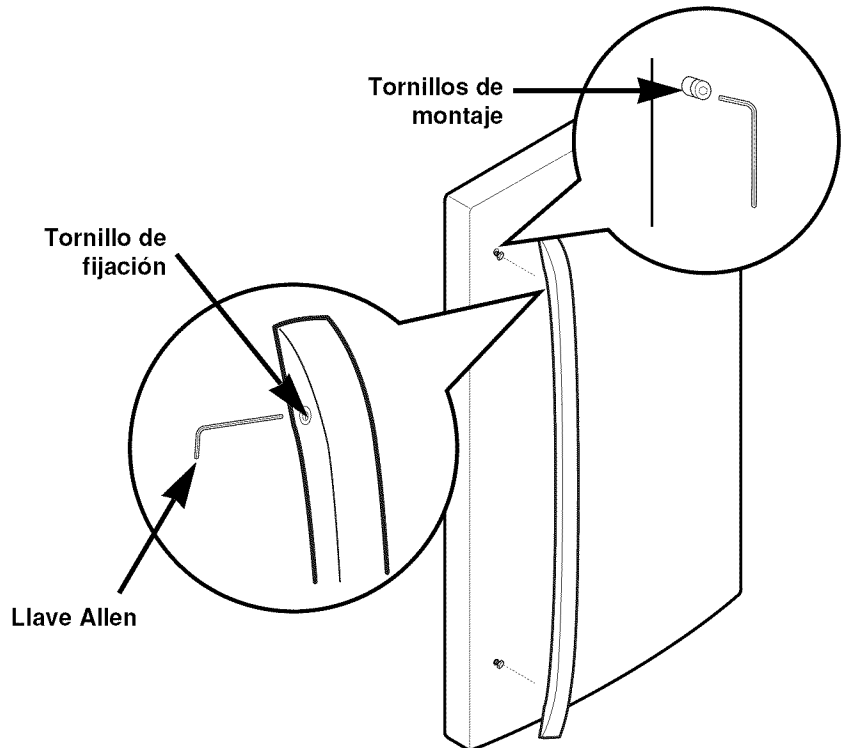
## CÓMO QUITAR LAS JALADERAS DE LA PUERTA

**NOTA:** La apariencia de la jaladera puede ser diferente a las que aparecen en las figuras de esta página.

### 1. Para quitar la jaladera del refrigerador

- Afloje los tornillos con ayuda de una llave Allen de 2,5 mm (3/32") y desmonte el tirador.

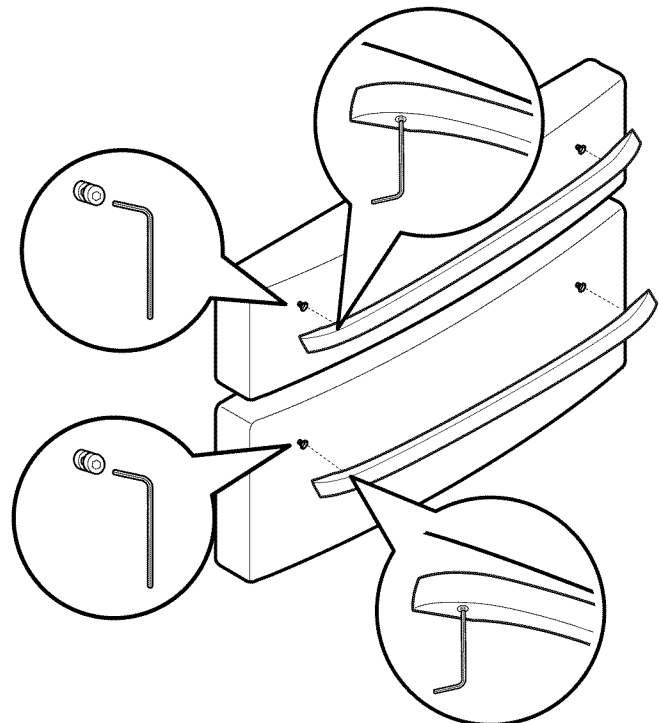
**NOTA:** Para ajustar o retirar los tornillos de montaje de la manija utilice una llave Allen de 1/4".



### 2. Para quitar la jaladera del Cajón del congelador

- Afloje los tornillos situados en la parte inferior del tirador con ayuda de una llave Allen de 2,5 mm (3/32") y desmóntelo.

**NOTA:** Para ajustar o retirar los tornillos de montaje de la manija utilice una llave Allen de 1/4".



# INSTALACIÓN DEL REFRIGERADOR

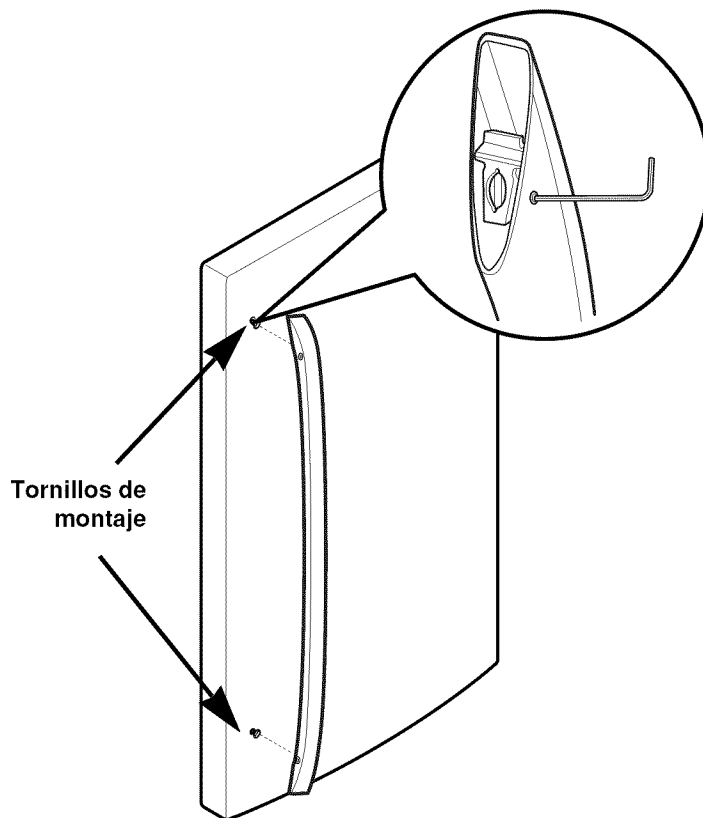
## CÓMO VOLVER A INSTALAR LAS JALADERAS DE LA PUERTA

**NOTA:** La apariencia de la jaladera puede ser diferente a las que aparecen en las figuras de esta página.

### 1. Para volver a instalar la jaladera de la puerta del refrigerador

- Coloque el tirador en la puerta, ajustándolo según su plantilla, para fijar los pasadores de montaje y apriete los tornillos del conjunto con ayuda de una llave Allen de 2,5 mm (3/32").

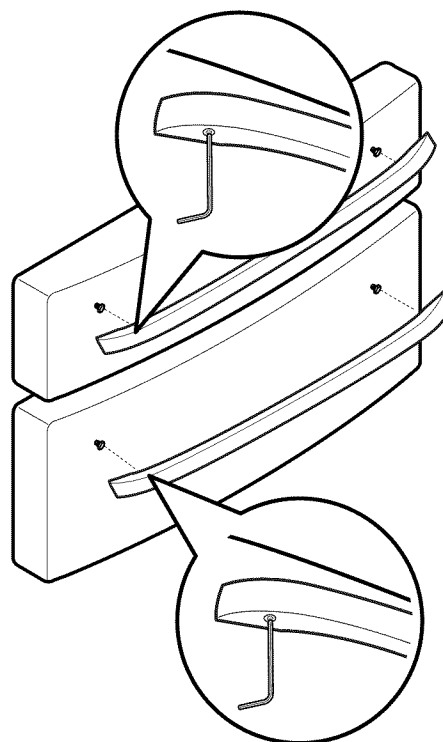
**NOTA:** Para ajustar o retirar los tornillos de montaje de la manija utilice una llave Allen de 1/4".



### 2. Para volver a instalar la jaladera de la puerta del cajón del congelador

- Coloque el tirador en la puerta, ajustándolo según su plantilla, para fijar los pasadores de montaje y apriete los tornillos del conjunto en la parte de abajo del tirador con ayuda de una llave Allen de 2,5 mm (3/32").

**NOTA:** Para ajustar o retirar los tornillos de montaje de la manija utilice una llave Allen de 1/4".

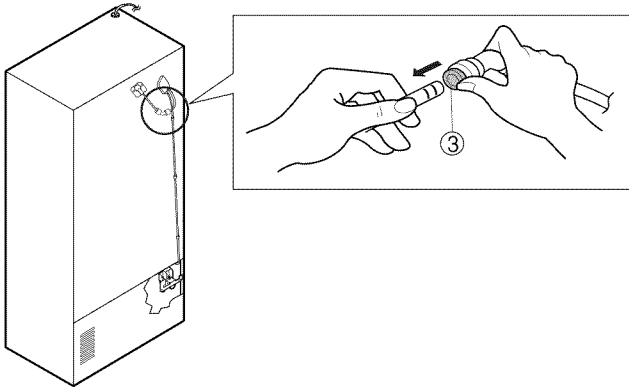


# INSTALACIÓN DEL REFRIGERADOR

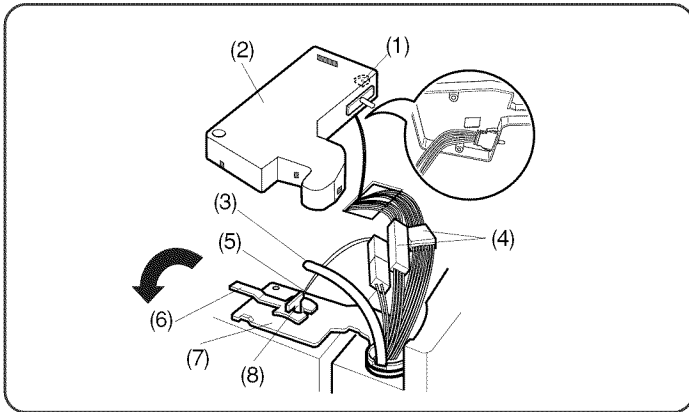
## CÓMO QUITAR Y VOLVER A COLOCAR LAS PUERTAS DEL REFRIGERADOR

### Para remover la puerta izquierda del refrigerador:

Antes de intentar desmontar la puerta izquierda, localice la conexión de agua en la parte posterior del refrigerador. Tienda el tubo de agua procedente del refrigerador empujándolo sobre el anillo de liberación mientras tira de la línea de suministros de agua, como ilustra la siguiente imagen.



**⚠ CUIDADO:** Antes de empezar, quite la comida y las bandejas de las puertas.



1. Abra la puerta. Remueva el tornillo de la cubierta de la bisagra superior (1).
2. Utilice un desatornillador de cabeza plana para palanquear hacia atrás los ganchos (no se muestran) en la superficie inferior delantera de la cubierta (2). Tire hacia arriba la cubierta.
3. Quite la cubierta. Hale el tubo (3).
4. Desconecte todos los arneses de cables (4).
5. Remueva el tornillo de "Tierra" (5).

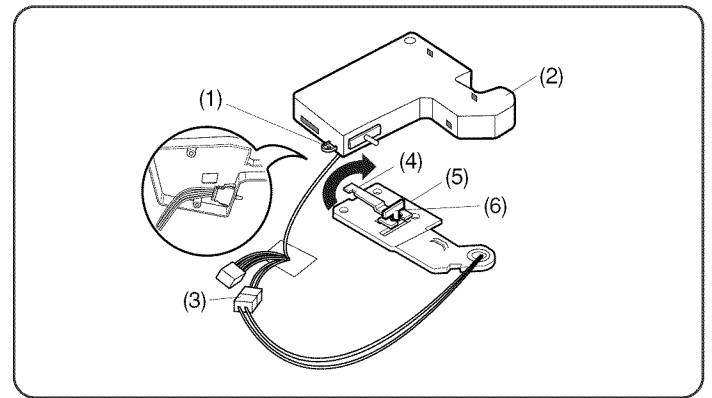
6. Rote la palanca de la bisagra (6) a lo contrario de las manecillas del reloj y quítela. Levante la bisagra superior (7) liberándola del cierre de la palanca de la bisagra (8).

**⚠ CUIDADO:** Al levantar la bisagra y liberándola del cierre, tenga cuidado que la puerta no se caiga hacia adelante.

7. Levante la puerta para liberarla del perno de la bisagra del medio.

8. Coloque la puerta, con la parte interna mirando hacia arriba, en una superficie lisa para evitar rallarla.

### Para remover la puerta derecha del refrigerador:



1. Abra la puerta. Remueva el tornillo de la cubierta de la bisagra superior (1). Levante la cubierta (2).
2. Remueva la cubierta.
3. Desconecte el arnés de cables (3).
4. Rote la palanca de la bisagra (4) en sentido de las manecillas del reloj y quítela. Levante la bisagra superior (5) liberándola del cierre de la palanca de la bisagra (6).

**⚠ CUIDADO:** Al levantar la bisagra y liberándola del cierre, tenga cuidado que la puerta no se caiga hacia adelante.

## ⚠ ADVERTENCIA

### Peligro de descarga eléctrica

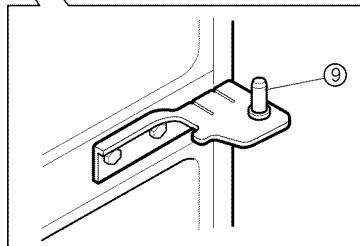
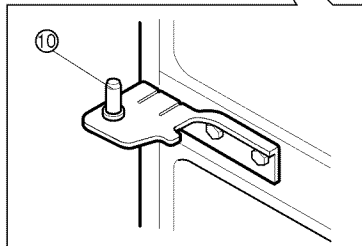
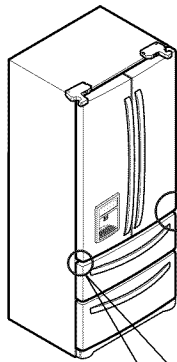
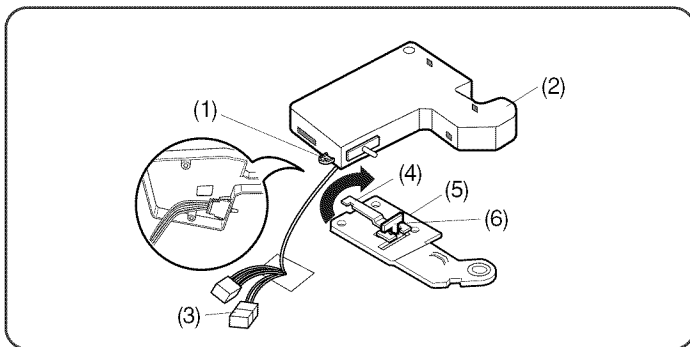
- Desconecte el suministro eléctrico al refrigerador antes de instalar. El no hacerlo puede dar como resultado una lesión seria o la muerte.
- No ponga las manos o los pies u otros objetos en las salidas de aire, la parrilla inferior, o debajo del refrigerador. Usted podría lesionarse o recibir un choque eléctrico.
- Tenga cuidado al trabajar con la bisagra, la parrilla inferior, y el tope. Podría lesionarse.

# INSTALACIÓN DEL REFRIGERADOR

## Como volver a colocar las puertas del refrigerador

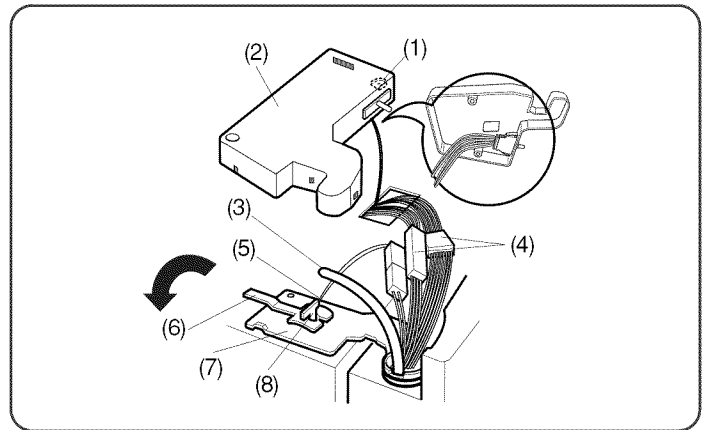
### ► Puerta derecha

1. Baje la puerta sobre el pasador de la bisagra del medio (9).
2. Coloque la bisagra superior (5) sobre la retención de la palanca de la bisagra (6) hasta que quede en su puesto. Inserte la palanca de la bisagra (4) debajo de la retención de la palanca. Haga girar la palanca en la dirección contraria a las manecillas del reloj para asegurar la bisagra.
3. Conecte el arnés de cableado (3).
4. Enganche la lengüeta de la cubierta del lado de la puerta bajo el filo de la abertura para los alambres, en la parte superior del gabinete. Coloque la cubierta (2) en su puesto. Inserte y ajuste el tornillo de la cubierta (1).

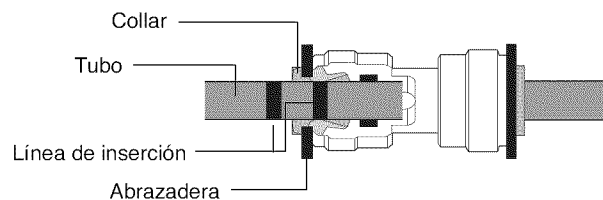


### ► Puerta izquierda

1. Baje la puerta sobre el pasador de la bisagra del medio (10).
2. Coloque la bisagra superior (7) sobre la retención de la palanca de la bisagra (8) hasta que quede en su puesto. Inserte la palanca de la bisagra (6) debajo de la retención de la palanca. Haga girar la palanca en la dirección de las manecillas del reloj para asegurar la bisagra.
3. Instale el tornillo de conexión a tierra (5) y conecte los tres arneses de alambres (4).
4. Presione el tubo de la línea del agua dentro del orificio de la montura superior y colóquelo en la placa trasera.
5. Inserte la manguera de agua (3) en la tubería hasta que sólo se vea la marca graduada. (Inserte el tubo completamente, 5/8" (15 mm)).
6. Enganche la lengüeta de la cubierta del lado de la puerta (2) bajo el filo de la abertura para los alambres, en la parte superior del gabinete. Coloque la cubierta en su puesto. Inserte y ajuste el tornillo de la cubierta (1).



## ⚠ CUIDADO



Tras introducirlo, tire del tubo hasta asegurarlo de forma segura y ensamblar el clip.

# INSTALACIÓN DEL REFRIGERADOR

## DESMONTAJE E INSTALACIÓN DEL CAJÓN EXTRAÍBLE

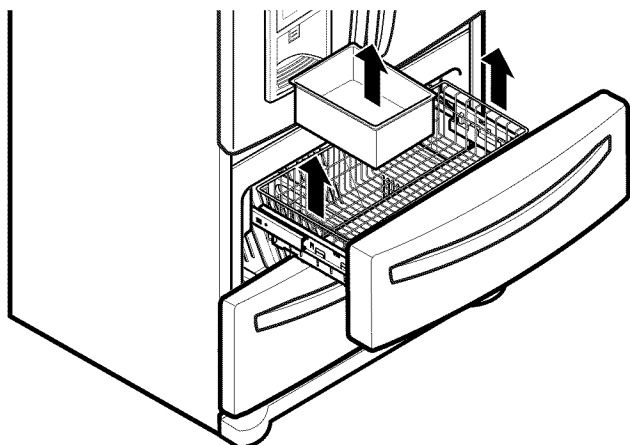
### ▲ CUIDADO

- Afin de evitar posibles lesiones o daños al producto y a la propiedad, harán falta dos personas para llevar a cabo las siguientes instrucciones.
- Al extraer el cajón, no sujete el tirador. Se podría desprender y ocasionar lesiones personales.
- Cuando deposite el cajón, tenga cuidado de no dañar el piso o lastimar sus pies con los extremos afilados del lado de la bisagra.

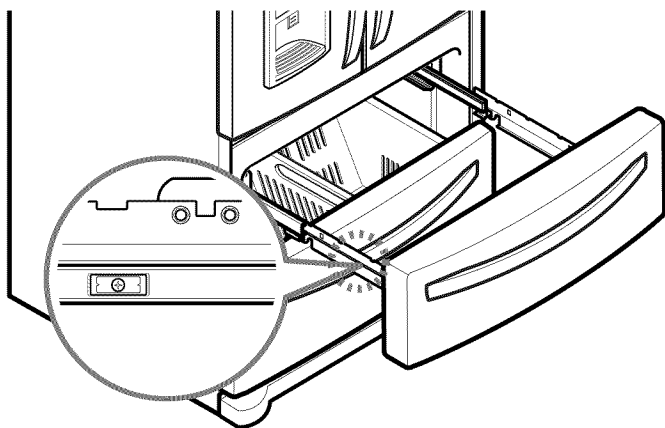
### Desmontaje del cajón extraíble

#### ► CAJÓN SUPERIOR

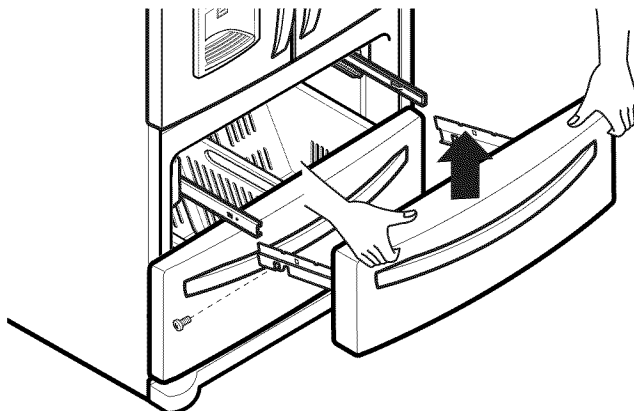
1. Para desmontar el cajón de la heladera, sáquelo al máximo. Retire el batidor y el depósito de hielo levantando la cesta del sistema de rieles.



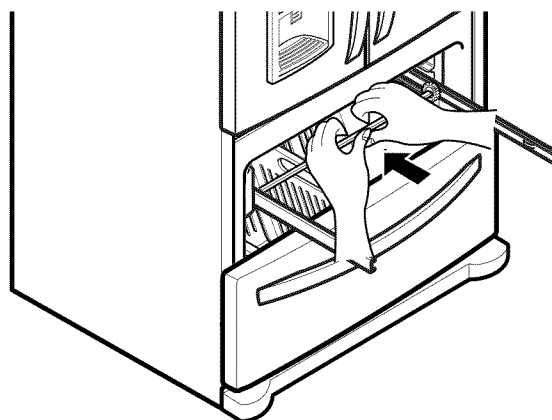
2. Retire los tornillos de ambos lados de la guía.



3. Con ambas manos, sujete los dos lados de la puerta y tire hacia arriba para separarla.



4. Con ambas manos, sujete la barra central y presiónela, a fin de permitir que ambos rieles se deslicen simultáneamente.



# INSTALACIÓN DEL REFRIGERADOR

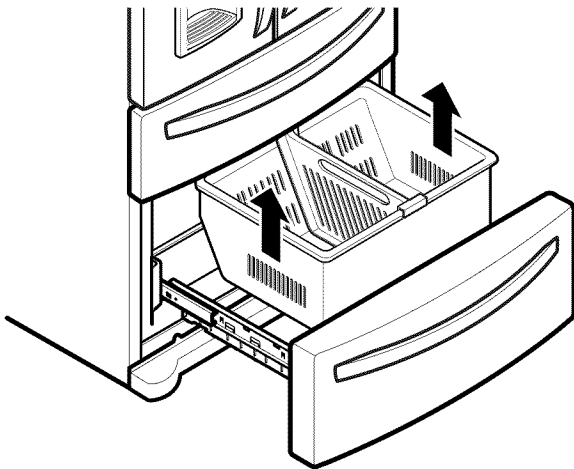
## ▲ CUIDADO

- Afin de evitar posibles lesiones o daños al producto y a la propiedad, harán falta dos personas para llevar a cabo las siguientes instrucciones.
- Alejar el cajón, no sujete el tirador. Se podría desprender y ocasionar lesiones personales.
- Cuando deposite el cajón, tenga cuidado de no dañar el piso o lastimar sus pies con los extremos afilados del lado de la bisagra.

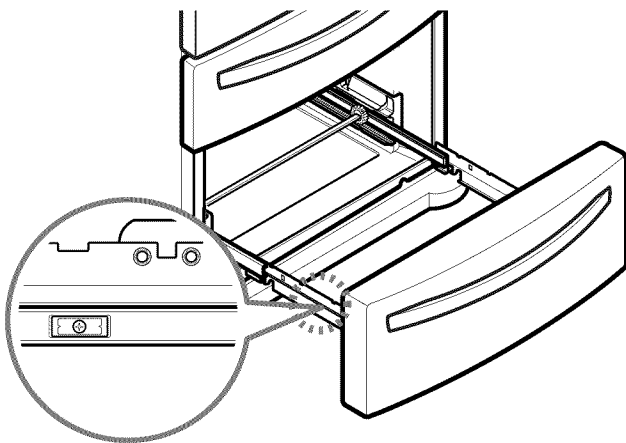
## Desmontaje del cajón extraíble

### ► CAJÓN INFERIOR

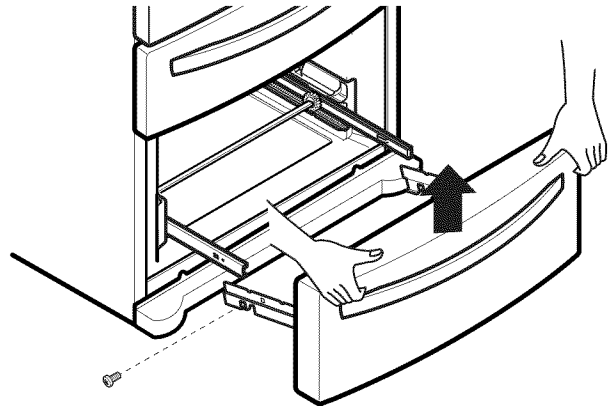
1. Para quitar el cajón del congelador, abra el cajón por completo. Quite la canasta inferior DuraBase<sup>®</sup> levantando la canasta desde el sistema de rieles.



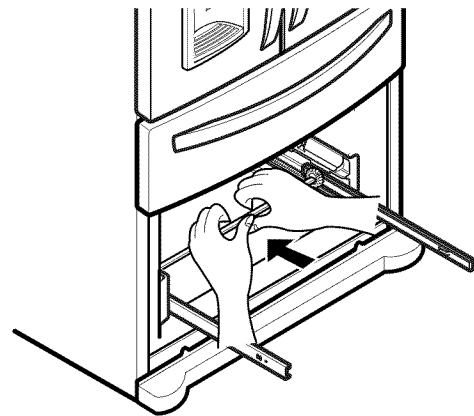
2. Retire los tornillos de ambos lados de la guía.



3. Con ambas manos, sujete los dos lados de la puerta y tire hacia arriba para separarla.

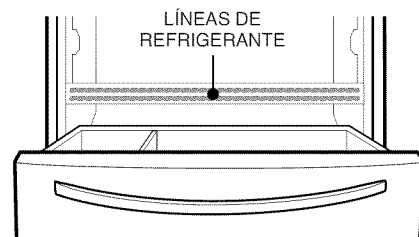


4. Con ambas manos, sujete la barra central y presiónela, a fin de permitir que ambos rieles se deslicen simultáneamente.



## ▲ CUIDADO

- NO INTENTE RETIRAR LA SEPARACIÓN ENTRE LOS DOS CAJONES. EXISTE UN BUCLE DEL CALENTADOR DE GAS (LÍNEAS DE REFRIGERANTE) QUE PASA POR LA SEPARACIÓN.
- El panel posterior puede retirarse fácilmente tras retirar los soportes izquierdo y derecho superiores de la puerta. El panel puede deslizarse por la apertura superior de la puerta sobre la separación.



# INSTALACIÓN DEL REFRIGERADOR

## DESMONTAJE E INSTALACIÓN DEL CAJÓN EXTRAÍBLE

### ⚠ CUIDADO

- Afin de evitar posibles lesiones o daños al producto y a la propiedad, harán falta dos personas para efectuar las siguientes personas para efectuar las siguientes instrucciones.

### ⚠ PELIGRO

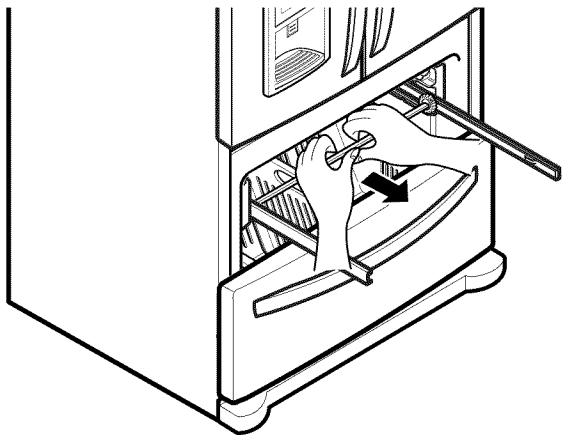
#### Riesgo de encierro para niños

- Para evitar el encierro accidental y riesgo de asfixia de niños y animales, NO permita que jueguen dentro del cajón del freezer.
- NO se pare o sienta sobre el cajón del freezer.

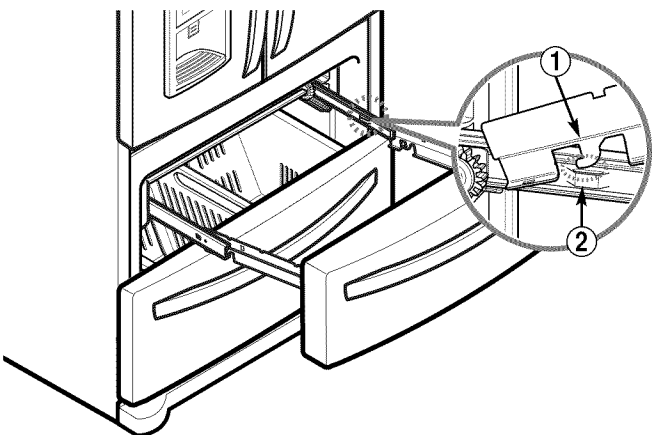
#### Reinstalación del cajón extraíble

##### ► CAJÓN SUPERIOR

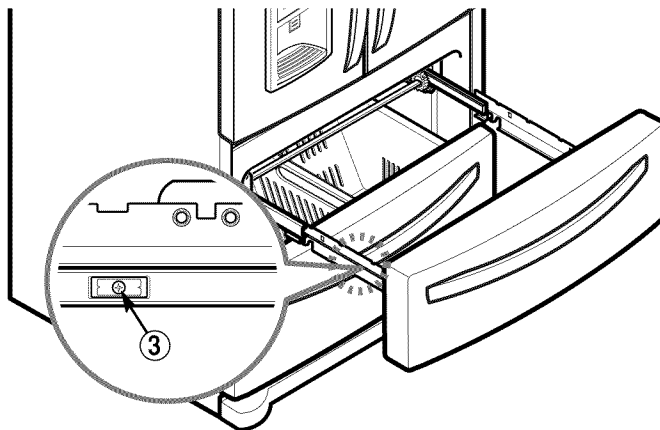
1. Para volver a instalar el cajón del freezer, sostenga la barra central con ambas manos y tire hacia afuera hasta que los dos rieles estén extendidos por completo.



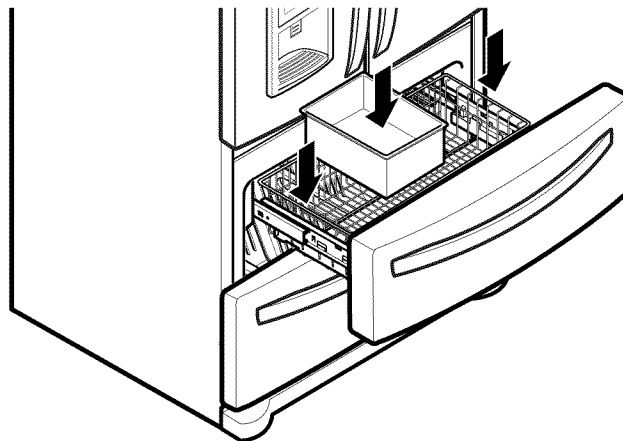
2. Monte el conector de la puerta (1) a la percha de la guía (2).



3. Empuje hacia abajo y monte el conector de la puerta apretando los tornillos (3).



4. Con el cajón completamente abierto, inserte el cajón y el recipiente para el hielo en el conjunto de la guía.



# INSTALACIÓN DEL REFRIGERADOR

## ⚠ CUIDADO

- Afin de evitar posibles lesiones o daños al producto y a la propiedad, harán falta dos personas para efectuar las siguientes personas para efectuar las siguientes instrucciones.

## ⚠ PELIGRO

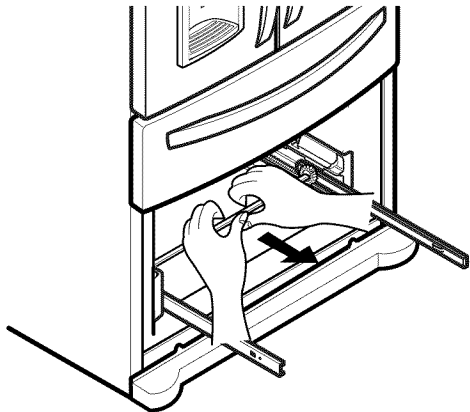
### Riesgo de encierro para niños

- Para evitar el encierro accidental y riesgo de asfixia de niños y animales, NO permita que jueguen dentro del cajón del freezer.
- NO se pare o siente sobre el cajón del freezer.

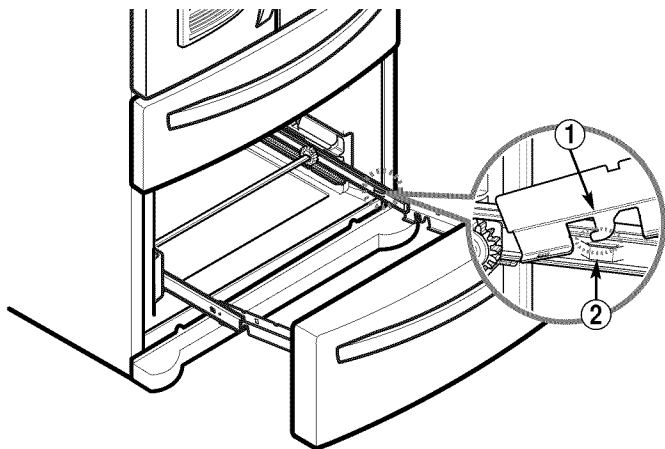
## Reinstalación del cajón extraíble

### ► CAJÓN INFERIOR

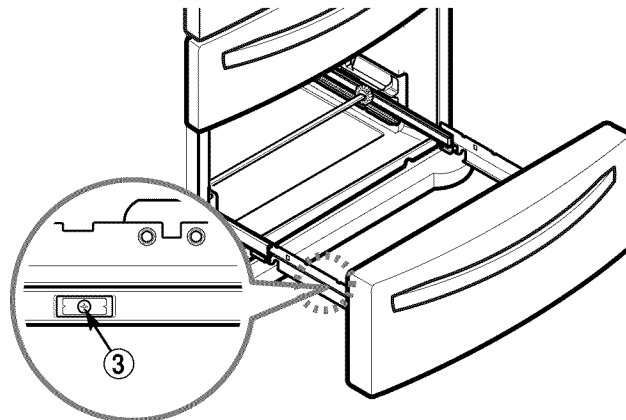
1. Para volver a instalar el cajón del freezer, sostenga la barra central con ambas manos y tire hacia afuera hasta que los dos rieles estén extendidos por completo.



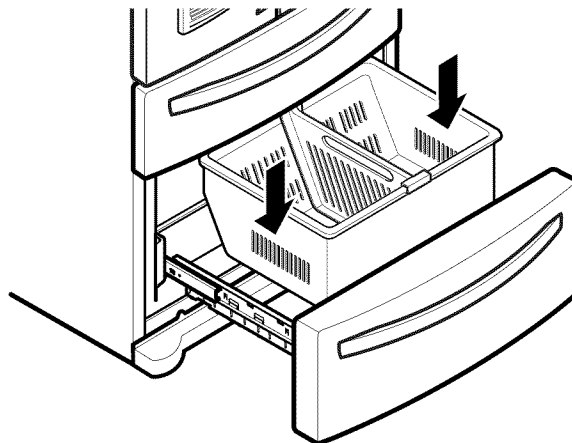
2. Monte el conector de la puerta (1) a la percha de la guía (2).



3. Empuje hacia abajo y monte el conector de la puerta apretando los tornillos (3).



4. Con el cajón extraído en toda su extensión, inserte la canasta inferior en el ensamble del riel hasta que no se mueva hacia adelante.



# INSTALACIÓN DEL REFRIGERADOR

## NIVELACIÓN Y ALINEACIÓN DE LA PUERTA

### Nivelación

Su refrigerador tiene dos tornillos de nivelación al frente - uno a la derecha y uno a la izquierda. Si su refrigerador parece inestable o si quiere que las puertas cierren más fácilmente, ajuste la inclinación del refrigerador usando las siguientes instrucciones:

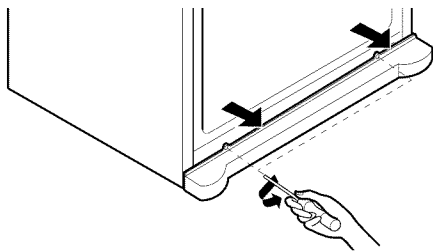
1. Conecte el cable de alimentación del refrigerador a una entrada de tres espigas que esté conectada a tierra. Mueva el refrigerador a su posición final.

#### Para remover la cubierta de la base:

1. Abra la gaveta del refrigerador (La gaveta no se muestra por claridad)
2. Una vez abierta la gaveta, existe suficiente iluminación para remover los tornillos en el tope de la cubierta.

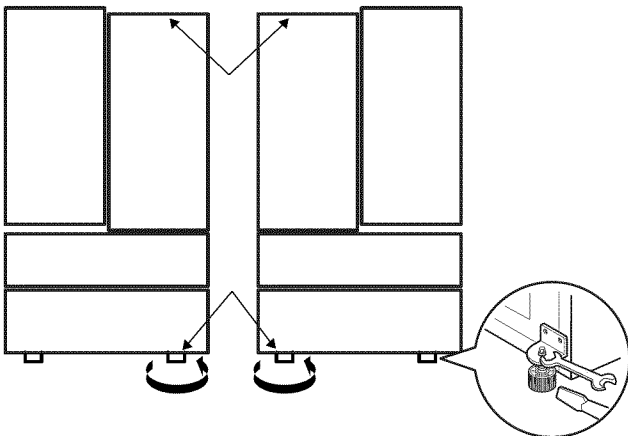
#### Para reemplazar la cubierta de la base:

- Coloque la cubierta en su posición, encaje y apriete los tornillos.



2. Gire el tornillo de nivelación en el sentido de las manecillas del reloj para elevar ese lado del refrigerador o en el sentido contrario a las manecillas del reloj para bajarlo. Puede requerir varias vueltas de los tornillos de nivelación para ajustar la inclinación del refrigerador.

**NOTA:** Hacer que alguien empuje contra la parte superior del refrigerador quita algo del peso aplicado a los tornillos de nivelación. Esto hace más fácil ajustarlos.



3. Abra ambas puertas otra vez, para asegurarse que cierren fácilmente. Si no, incline el refrigerador un poco más hacia atrás girando ambos tornillos en el sentido de las manecillas del reloj. Puede requerir varias vueltas más, y usted debería hacer girar la misma cantidad a ambos tornillos niveladores.

4. Reajuste si fuera necesario.

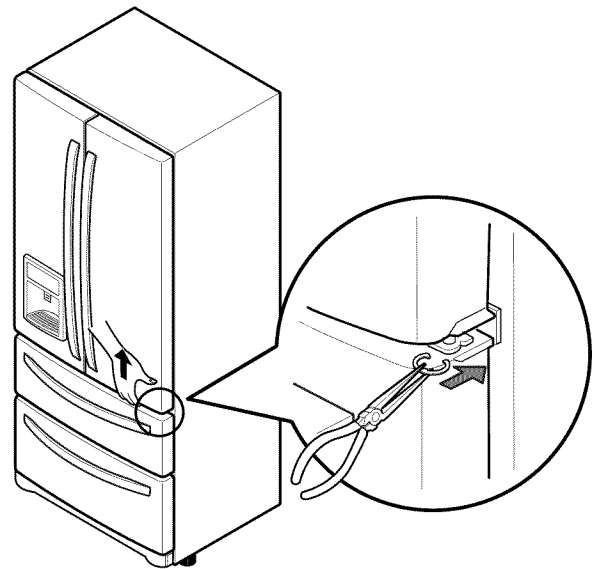
5. Reemplazar la cubierta de la base

**NOTA:** Su nuevo refrigerador está diseñado de una forma única con dos puertas para alimentos frescos. Cualquiera de las puertas puede ser abierta o cerrada independientemente de la otra. Debe ejercer una ligera presión sobre la puerta para lograr cerrarla completamente.

### Alineación de la Puerta

Si el espacio entre sus puertas es desigual, siga las instrucciones a continuación para alinear las puertas:

1. Con una mano, levante la puerta que desee para aumentar a la bisagra media.
2. Con la otra mano, use los alicates para insertar el anillo de retención como se muestra.
3. Inserte algunos aros C hasta lograr nivelar las puertas (Tres aros C vienen incluidos en la guía de uso y cuidado del refrigerador).



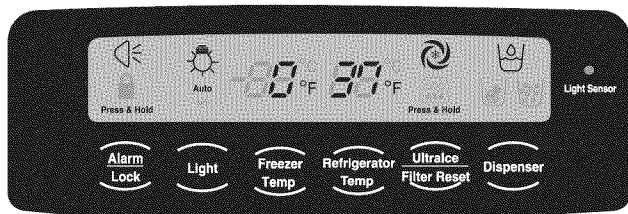
Nivele la unidad usando una llave de 11/32 inch (8mm) o un destornillador plano. Gire los pies de la unidad (Counter-Clockwise) para elevarla o (Clockwise) para bajarla.

**NOTA:** El frente del refrigerador debe estar levemente inclinado hacia atrás.

## CONFIGURACIÓN DE CONTROLES

### Temperatura

- Su frigorífico cuenta con una panel de control en el dispensador que le permite regular la temperatura del los compartimentos del congelador y el frigorífico.
- Configure inicialmente el CONTROL DEL FRIGORÍFICO a 37°F (3°C), y el CONTROL DEL CONGELADOR a 0°F (-18°C). Mantenga la unidad con esta configuración durante 24 horas (un día) para que se establezca. A continuación, ajuste la temperatura del compartimento como desee.



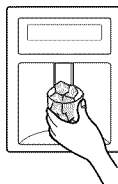
- **Control de temperatura del refrigerador: de 0°C a 8°C (de 33°F a 46°F)**  
Cuanto menor sea el número ajustado, más frío estará el compartimento del refrigerador.
- **Control de temperatura del congelador: de -21°C a -13°C (de -6°F a 8°F)**  
Al ajustar la configuración en un número inferior, el compartimento del congelador estará aún más frío. El compartimento del refrigerador se calentará más debido a la reducción en el flujo de aire frío.

### Ultralce

- Al presionar el botón Ultralce, se encenderá el símbolo [ ] en pantalla y continuará encendido durante 24 horas. Se apagará automáticamente después de 24 horas. O puede cesar manual mente la función presionando el botón una vez más.
- Esta función incrementa las capacidades de congelación y elaboración de hielo.

### Dispensación

- Puede seleccionar entre agua, hielo picado o cubitos de hielo presionando el botón .
- Podría experimentar algo de goteo tras la dispensación. Recomendamos mantener el vaso bajo el dispensador durante algunos segundos extra.



▲ **CUIDADO:** Elimine la humedad antes de utilizar el botón de pantalla, ya que su funcionamiento está basado en un método de detección de presión que puede ralentizar o activar otros botones en presencia de humedad en la superficie del botón.

▲ **ADVERTENCIA:** Si abre la puerta, el dispensador no funciona.

### Filtro

- **Sustituir el filtro:** Cuando se encienda el indicador REINICIAR FILTRO (FILTER RESET), deberá sustituir el filtro del agua. Pulse durante 3 segundos el botón REINICIAR FILTRO (FILTER RESET) para apagar el indicador. Deberá cambiar el filtro del agua cada 6 meses aproximadamente.

### Luz / Sensor de luz

- Si la luz ha sido establecida en modo "Auto", la luz del dispensador se encenderá y apagará automáticamente según el brillo presente en la habitación, detectado por el sensor de luz.

### Alarma

- Cuando el refrigerador esté conectado al suministro eléctrico, la alarma de la puerta estará inicialmente desactivada y su pantalla mostrará . Al tocar el botón , la pantalla pasará a y la función de la alarma de la puerta se activará.
- Si deja la puerta del frigorífico o del congelador abierta durante más de 60 segundos, la alarma se activará indicando este descuido.
- Al cerrar la puerta, la alarma se desactivará inmediatamente.
- Si desea desactivar la función de la alarma de la puerta, presione el botón ; a continuación la pantalla de la alarma pasará a .

### Bloquear

- Al conectar inicialmente el frigorífico al suministro eléctrico, la función Bloqueo se apagará.
- Si desea activar la función Bloqueo a fin de bloquear otros botones, mantenga presionado el botón durante 3 segundos o más. La señal se mostrará, y la función Bloqueo estará habilitada.
- Mientras la función Bloqueo esté habilitada, sólo funcionará el botón , incluyendo el botón del dispensador.
- Mantenga presionado el botón durante 3 segundos o más para deshabilitar la función Bloqueo.

### Función del interruptor de modo de temperatura (°F<->°C)

- Si desea convertir °F en °C o viceversa, mantenga presionado el botón y el simultáneamente durante 5 segundos o más.

## PARA ASEGURAR UNA CIRCULACIÓN APROPIADA DEL AIRE

No obstruya los conductos de aire con objetos o comida, a fin de asegurar una correcta circulación del aire y evitar la pérdida de comida debido a la falta de aire frío.

## RESERVORIO DE HIELO EN LA PUERTA

### ▲ PRECAUCIONES

• Mantenga manos y herramientas fuera de la puerta del reservorio de hielo y de la tolva del dispensador. Podría romper algo o lesionarse.

La máquina de hielo deja de producir hielo cuando se llena el reservorio de hielo. Si necesita más hielo, vacíe el reservorio de hielo en el recipiente de hielo extra del congelador para que la máquina de hielo pueda seguir produciendo hielo.

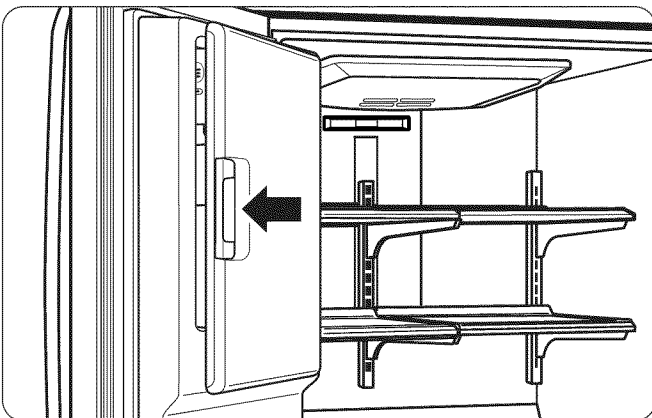
Sacuda el reservorio de hielo de vez en cuando para nivelar el hielo. A veces el hielo se apila cerca de la máquina de hielo, y ésta interpreta que hay suficiente hielo y detiene la producción.

**NOTA:** Guardar latas u otros elementos en el reservorio de hielo puede dañar la máquina de hielo.

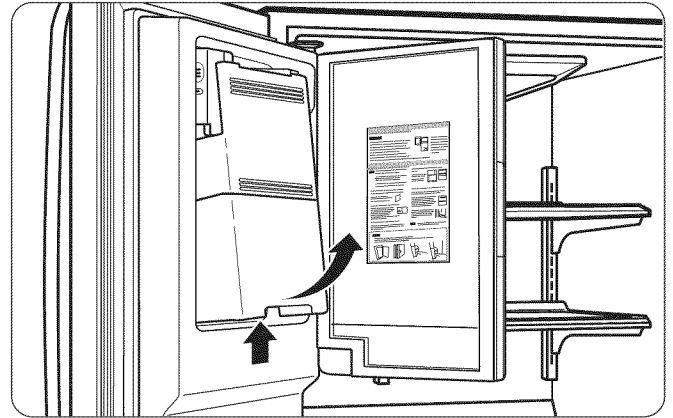
Mantenga la puerta del reservorio de hielo bien cerrada. Si el reservorio de hielo no se cierra bien, el aire frío del mismo congelará los alimentos del refrigerador. Esta también podría provocar que la máquina de hacer hielo deje de producirlo.

**NOTA:** Si el interruptor de encendido/apagado de la máquina de cubitos está en Off durante mucho tiempo, el compartimento del hielo se calentará gradualmente hasta alcanzar la temperatura del refrigerador. Para evitar que los cubitos se derritan y el goteo de agua, vacíe SIEMPRE el depósito de hielo al apagar la máquina de cubitos durante muchas horas.

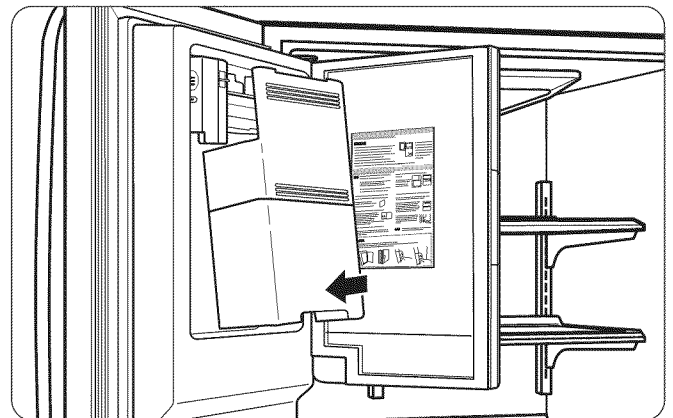
1. Presione en el pestillo con firmeza donde se señala para cerrar la puerta del reservorio de hielo; hará un "clic" cuando se cierre por completo.



2. Para quitar el reservorio de hielo en la puerta, tome la manija frontal, levante un poco la parte inferior, y lentamente saque el recipiente como puede verse.



3. Para reinstalar el reservorio de hielo de la puerta, doble un poco el recipiente para evitar contacto con la máquina de hacer hielo.



4. Evite tocar el brazo de apagado automático cuando reemplace el reservorio de hielo. Para más detalles, vea la etiqueta de la puerta del reservorio de hielo.



# USANDO SU REFRIGERADOR

## AJUSTE DE LOS CONTROLES

Conceda al refrigerador tiempo suficiente para enfriarse completamente antes realizar los ajustes finales. La mejor opción es esperar 24 horas antes de hacer esto. Los ajustes iniciales indicados en la sección AJUSTE DE CONTROLES deberían ser correctos para el uso doméstico habitual de un refrigerador. Los controles serán correctos cuando la leche o zumos estén tan fríos como usted desea y el helado se mantenga firme.

El control del refrigerador funciona como si fuera el termostato de todo el aparato (secciones del refrigerador y congelador). A mayor número de la selección, más tiempo funcionará el compresor para mantener la temperatura más fría. El control del congelador ajusta el flujo de aire frío desde el congelador al refrigerador. Ajustar el control del congelador a una temperatura más baja mantiene más aire frío en el compartimiento del congelador para hacerlo más frío.

Si usted necesita ajustar las temperaturas en el refrigerador o en el congelador, comience por ajustar la del refrigerador. Luego espere 24 horas antes de verificar las temperaturas del congelador. Si está demasiado caliente o demasiado frío, entonces ajuste el control del congelador.

Use las configuraciones listadas en la tabla siguiente como una guía. **Recuerde siempre esperar al menos 24 horas entre ajustes.**

CONDICIÓN/RAZÓN:	AJUSTE RECOMENDADO:
<ul style="list-style-type: none"> <li>■ Sección del REFRIGERADOR demasiado abrigada</li> <li>– Puerta abierta con frecuencia</li> <li>– Gran cantidad de alimentos agregados</li> <li>– Temperatura de la habitación muy caliente</li> </ul>	Baje el control del REFRIGERADOR un grado C (Centígrado) o dos grados F (Fahrenheit), espere 24 horas y vuelva a comprobar
<ul style="list-style-type: none"> <li>■ Sección del CONGELADOR demasiado abrigada/se demora mucho en hacer hielo</li> <li>– Puerta abierta con frecuencia</li> <li>– Gran cantidad de alimentos agregados</li> <li>– Temperatura ambiente en la estancia muy baja (el compresor no puede realizar ciclos con la frecuencia necesaria)</li> <li>– Uso de hielo muy frecuente</li> <li>– Rejillas de aire bloqueadas por artículos</li> </ul>	Baje el control de la heladera un grado C (Centígrado) o dos grados F (Fahrenheit), espere 24 horas y vuelva a comprobar
<ul style="list-style-type: none"> <li>■ Sección de REFRIGERADOR demasiado fría</li> <li>– Controles no fijados correctamente para sus condiciones</li> </ul>	Suba el control del REFRIGERADOR un grado C (Centígrado) o dos grados F (Fahrenheit), espere 24 horas y vuelva a comprobar
<ul style="list-style-type: none"> <li>■ Sección del CONGELADOR demasiado fría</li> <li>– Controles no fijados correctamente para sus condiciones</li> </ul>	Suba el control de la heladera un grado C (Centígrado) o dos grados F (Fahrenheit), espere 24 horas y vuelva a comprobar

## GUÍA DE ALMACENAMIENTO DE ALIMENTOS

Envuelva o almacene alimentos en el refrigerador en materiales herméticos y a prueba de humedad a menos que se indique de otra forma. Esto evita que el olor y el sabor de los alimentos se transfieran por todo el refrigerador. Para productos fechados, verifique el código de fecha para asegurar la frescura.

Items	How to
<b>Mantequilla o Margarina</b>	▶ Mantenga la mantequilla abierta en un plato cubierto o en un compartimiento cerrado. Al guardar una cantidad extra, envuélvala en empaques para congelar y congele.
<b>Queso</b>	▶ Almacene en el empaque original hasta que Ud. esté listo para usarlo. Una vez abierto, vuelva a envolver herméticamente en envoltura plástica u hoja de aluminio.
<b>Leche</b>	▶ Limpie las cajas de leche. Para mejor almacenamiento, coloque la leche en un anaquel interior, no en el anaquel de la puerta.
<b>Huevos</b>	▶ Guarde la caja para huevos en el cartón original o en una percha interior, no en una percha de la puerta.
<b>Frutas</b>	▶ Lave, deje secar, y guarde en el refrigerador en bolsas de plástico o en el recipiente para hortalizas frescas. No lave ni quite la cáscara a las bayas (fresas y similares) hasta que Ud. esté listo para usarlas. Clasifique y manténgalas en su envase original en un recipiente para frutas frescas, o guárdelas en una bolsa de papel ligeramente abierta en un anaquel del refrigerador.
<b>Hortalizas de Hoja</b>	▶ Retire la envoltura de la tienda y corte o arranque las áreas maltratadas y descoloridas. Lave en agua fría y deje secar. Coloque en bolsa de plástico o recipiente de plástico y guarde en un recipiente para hortalizas frescas.
<b>Pescado</b>	▶ Use el pescado y marisco fresco el mismo día que lo compró.
<b>Hortalizas con cáscara (zanahorias, pimientos)</b>	▶ Coloque en bolsas de plástico o recipiente de plástico y guarde en un recipiente para hortalizas frescas.
<b>Sobras</b>	▶ Cubra las sobras con envoltura plástica u hoja de aluminio. También se pueden usar contenedores plásticos con tapas herméticas.

## COMO GUARDAR ALIMENTOS CONGELADOS

**NOTA:** Para mayor información sobre preparación de alimentos para congelar o sobre tiempos de almacenaje de alimentos, verifique una guía de congelación o un libro de cocina confiable.

### Empacado

La congelación exitosa depende del empaque correcto. Cuando Ud. cierre y selle el paquete, éste no debe permitir que pase aire o humedad hacia adentro o afuera. Si lo hace, podría tener transferencias de olor y sabor de la comida por todo el refrigerador y también se puede secar la comida congelada.

### Recomendaciones de empaque:

- Contenedores de plástico rígido con tapas de cierre hermético.
- Jarras para enlatar/congelar de paredes verticales rectas
- Papel aluminio de uso pesado
- Papel recubierto con plástico
- Envolturas de plástico no permeable
- Bolsas de plástico auto-sellantes con especificación de tipo para congelador

Siga las instrucciones del recipiente o del empaque para los métodos de congelación apropiados.

### No use:

- Envolturas para pan
- Recipientes de plástico que no sean de polietileno
- Recipientes sin tapas herméticas
- Envoltura para congelador recubierta de cera o papel encerado
- Envoltura delgada semipermeable

**⚠ CUIDADO:** No guarde bebidas en lata ni recipientes de plástico para alimentos en el compartimento de la heladera. De congelarse, estos podrían romperse.

### Congelación

Su congelador no congelará rápidamente cualquier cantidad grande de alimentos. No coloque más alimentos sin congelar en el congelador que los que se podrán congelar en un plazo de 24 horas (no más de 2 a 3 libras de alimentos por pie cúbico de espacio en el congelador). Deje suficiente espacio en el congelador para que el aire circule alrededor de los paquetes. Tenga cuidado de dejar espacio suficiente al frente de manera que la puerta pueda cerrar herméticamente.

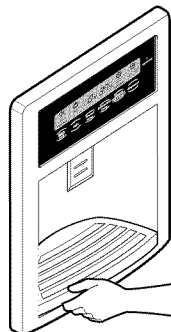
Los tiempos de guardado variarán de acuerdo con la calidad y tipo de alimento, el tipo de empaque o envoltura usados (a prueba de humedad y hermético al aire) y la temperatura de almacenamiento. Los cristales de hielo dentro de un paquete sellado son normales. Esto simplemente significa que la humedad del alimento y del aire dentro del paquete se ha condensado, creando cristales de hielo.

**NOTA:** Permita que los alimentos calientes se enfríen a la temperatura de la habitación durante unos 30 minutos, luego empaque y congele. Enfriar los alimentos calientes antes de congelar ahorra energía.

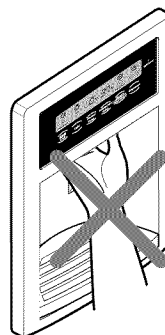
## SECCIÓN REFRIGERADOR

### DISPENSADOR DEL AGUA

La bandeja se puede extraer fácilmente pulsando y tirando de ella hacia afuera.



Para reinstalar la bandeja, incline ligeramente hacia arriba la parte frontal de esta y lleve las lengüetas a sus huecos hasta escuchar un chasquido.



**⚠ ADVERTENCIA:** no introduzca los dedos en el interior de la apertura del conducto de hielo. Hacerlo podría ocasionarle graves lesiones.

**⚠ CUIDADO:** No dispense hielo en copas de cristal fino o porcelana. Las copas o la porcelana pueden romperse.

# USANDO SU REFRIGERADOR

## ANAQUELES DEL REFRIGERADOR

Los anaqueles de su refrigerador son ajustables para satisfacer sus necesidades individuales de almacenamiento. Su modelo puede tener anaqueles de cristal o de alambre.

Guardar artículos de alimentos similares juntos en su refrigerador y ajustar los anaqueles para adaptarlos a las diferentes alturas de los artículos hará más fácil que Ud. encuentre el artículo exacto que quiere, reducirá también el tiempo que la puerta del refrigerador esté abierta, ahorrando energía.

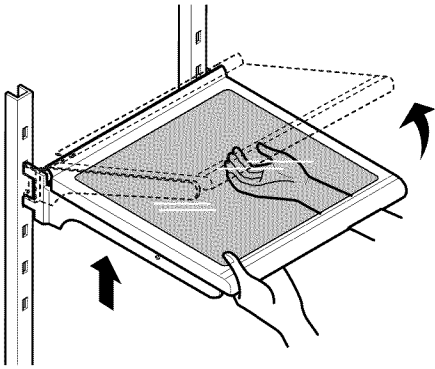
**IMPORTANTE:** No limpie los anaqueles de cristal con agua tibia cuando estén fríos. Los anaqueles se pueden romper si son expuestos a cambios de temperatura repentinos o a impactos, tales como golpes. Para su protección, los anaqueles de cristal son fabricados con vidrio templado, el cual se romperá en pedazos del tamaño de un guijarro.

**NOTA:** Los anaqueles de cristal son pesados. Tenga especial cuidado al retirarlos para evitar dejarlos caer.

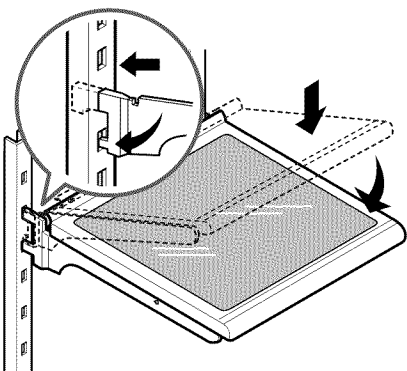
### Ajuste de los Anaqueles

Retire los anaqueles de la posición de embarque y vuelva a colocarlos en la posición que Ud. desee.

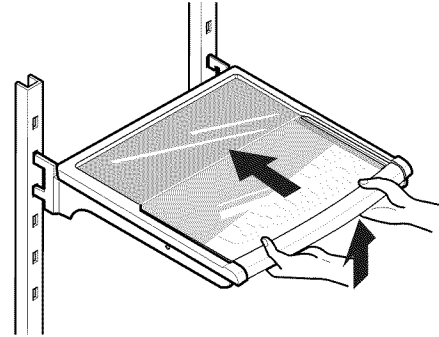
- **Para retirar un anaquel**— Incline hacia arriba el frente del estante. Levante la parte trasera y quite el estante.



- **Para volver a colocar un anaquel**— Incline el frente del anaquel hacia arriba y guíe los ganchos del anaquel dentro de las ranuras a una altura deseada. Luego baje el frente del anaquel de forma que los ganchos encajen dentro de las ranuras.



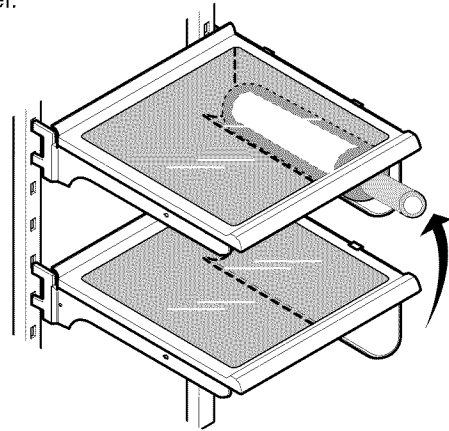
- **Estante plegable**— Puede guardar artículos de tamaño mayor como recipientes o botellas con sólo pulsar en la parte frontal del estante. Tire hacia usted para que el estante retome su tamaño y posición habitual.



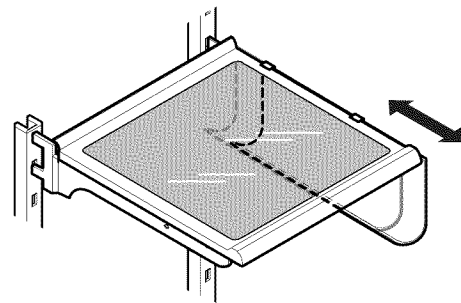
## SOPORTE PARA VINO

(Solamente 795.7878\* Modelo)



Las botellas se pueden almacenar lateralmente con este soporte para vino. Éste puede ser sujetado a cualquier anaquel.





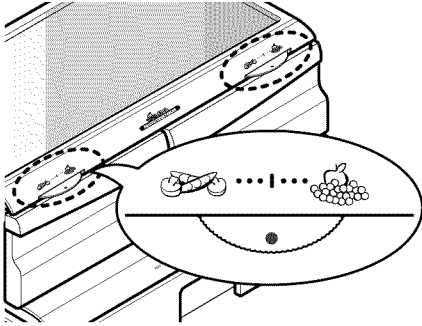
El soporte para vino puede ser sacado, jalándolo derecho hacia fuera, e instalado, colocándolo en el extremo del anaquel que Ud. quiera y empujándolo hacia adentro.



## CONTROL DE LA HUMEDAD DEL RECIPIENTE PARA HORTALIZAS FIRMES

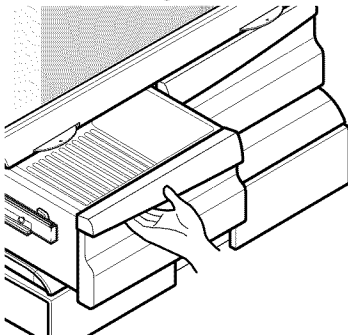
Ud. puede controlar la cantidad de humedad en estos recipientes de humedad sellada. Guarde los vegetales o frutas que requieran más o menos humedad en accesorios separados. Ajuste el control a alguna selección entre  y .

-  mantiene aire húmedo en el accesorio para mejor almacenamiento de hortalizas de hoja, frescos.
-  permite que el aire húmedo salga del accesorio para un mejor almacenamiento de frutas.



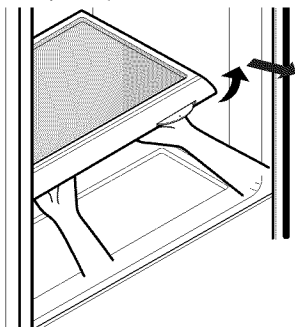
## PARA RETIRAR EL RECIPIENTE PARA HORTALIZAS

1. Para retirar, jale el cajón hacia fuera a toda su extensión.
2. Levante el frente del recipiente, luego jálelo derecho hacia afuera.
3. Para instalar, incline hacia arriba ligeramente el frente e inserte el cajón en el bastidor y empuje hacia atrás para que quede en su lugar.



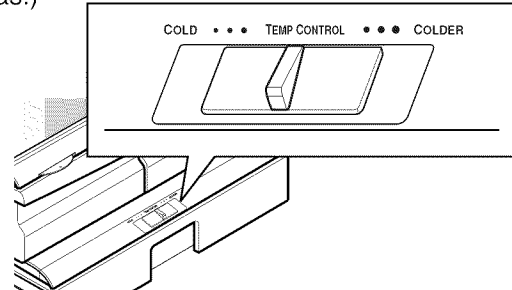
### Para quitar el vidrio:

1. Levante el vidrio después de haber insertado un dedo en el agujero situado debajo de la cubierta del cajón.
2. Levante el vidrio y sáquelo.



## GLIDE'N'SERVE (CAJÓN DESLIZANTE)

El **Glide'N'Serve** (Cajón Deslizante) proporciona espacio de almacenamiento con un control de temperatura variable que mantiene el compartimento más frío que el refrigerador. Este cajón puede utilizarse para charolas grandes, fiambre o bebidas. (Pero no debe usarse para verduras.)



### Controles

El control regula la temperatura del aire en el cajón. Utilice el ajuste **COLD** (impreso en la superficie) para una temperatura de refrigerador normal. Utilice el ajuste **COLDER** (impreso en la superficie) para carnes o fiambre.

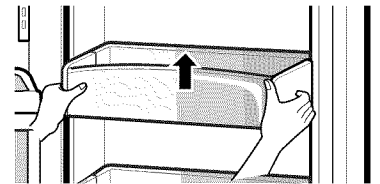
**NOTA:** El aire frío dirigido al cajón deslizante puede disminuir la temperatura del refrigerador. Es posible que necesite ajustar el control del refrigerador.

## CANASTAS AJUSTABLES

Los recipientes de la puerta son desmontables para una limpieza y ajuste sencillos.

Sólo levante el recipiente y tire de él para retirarlo.

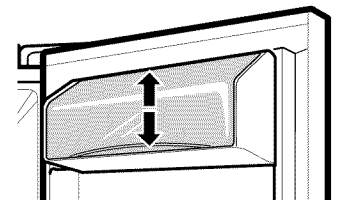
Para volver a colocarlo, deslícelo sobre el soporte deseado y empújelo hacia abajo hasta que se detenga.



## RECIPIENTE PARA LÁCTEOS

Para quitar el recipiente de lácteos, sólo levántelo y sáquelo. Para volver a colocarlo, deslícelo en su lugar y presiónelo hacia abajo hasta que se detenga.

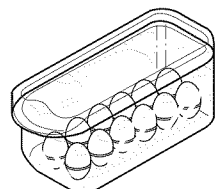
**NOTA:** El compartimento para lácteos sólo podrá instalarse en el espacio superior de la puerta derecha.



## CAJA DE HUEVOS

Guarde la caja para huevos en una percha interior, no en una percha de la puerta.

**▲ CUIDADO:** No use la caja para huevos como un recipiente para guardar hielo en el compartimento del congelador. Si se congela, la caja para huevos puede romperse fácilmente.



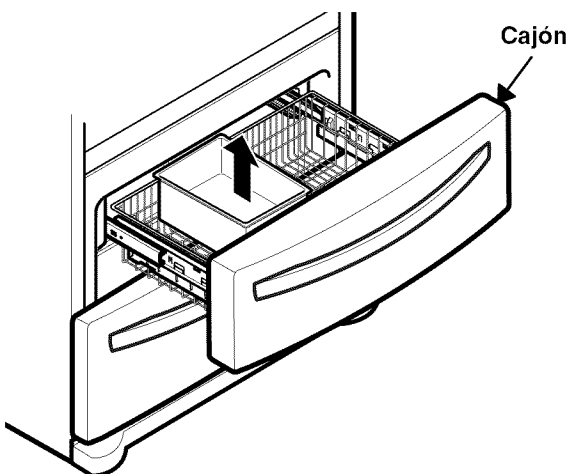
# USANDO SU REFRIGERADOR

## SECCIÓN CONGELADOR

### DEPÓSITO DE HIELO EXTRA

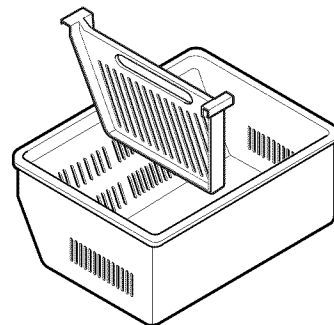
Para extraer el depósito de hielo, tire del cajón hacia fuera hasta su máxima extensión. Levante con cuidado y extraiga el depósito de hielo.

Para volver a instalarlo, sólo tendrá que colocar el depósito de hielo en su posición correcta.



## DIVISOR DE LA DURABASE

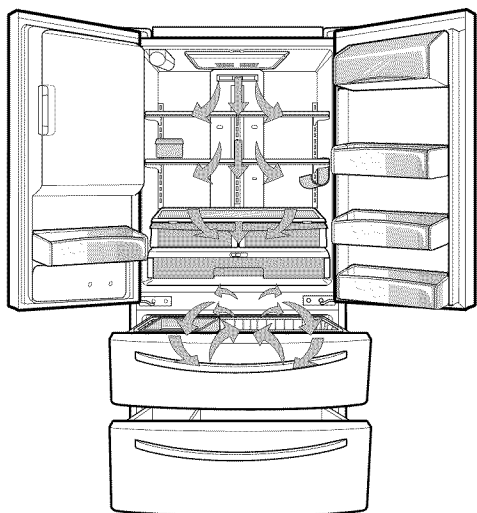
El divisor de la Durabase le permite organizar el área de la Durabase en secciones.



1. Para retirar, jale el divisor derecho hacia arriba.
2. Para instalar, enganche las esquinas superiores del divisor sobre el borde superior de la Durabase.

**⚠ ADVERTENCIA:** Si retira el divisor Durabase, creará suficiente espacio como para que los niños, o mascotas, se introduzcan en el electrodoméstico. Para evitar el atrapamiento accidental de niños o mascotas, y para evitar el riesgo de asfixia, NO les permita jugar en el interior de la unidad.

## FLUJO DE AIRE



A fin de asegurar la temperatura adecuada, el aire debe fluir correctamente entre las secciones del frigorífico y el congelador.

La flecha de la ilustración indica las ubicaciones de los orificios de ventilación y la dirección del flujo.

**No bloquee ningún orificio de ventilación con envases de alimentos.** Si los orificios de ventilación estuvieran bloqueados, el flujo de aire se vería interrumpido y podrían surgir problemas por temperatura y humedad.

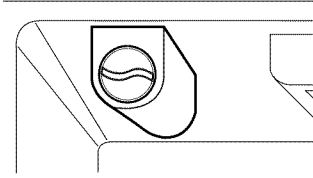
Si introduce una gran cantidad de alimentos, el frigorífico tardará más tiempo en enfriarlos.

Para puestas en marcha iniciales, permita a su frigorífico funcionar durante 2 ó 3 horas antes de introducir los alimentos.

# USANDO SU REFRIGERADOR

## FILTRO DE AGUA

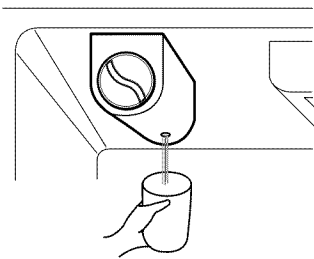
Sustituya el filtro del agua cuando se ilumine el indicador Reiniciar Filtro (Filter Reset) del panel de control del refrigerador o cuando se reduzca notablemente el rendimiento del dispensador o la máquina de hielo.



Tras cambiar el cartucho del filtro del agua, mantenga pulsado el botón Reiniciar Filtro (Filter Reset) durante 3 segundos y la luz del indicador se apagará.

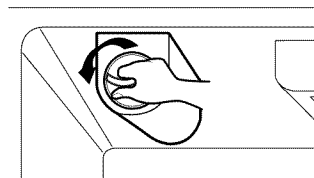
### 1. Extracción del cartucho usado.

Coloque un recipiente debajo del orificio para evitar que el agua se desborde.

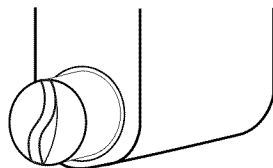


**NOTA:** El recambio del filtro causa una pequeña acumulación de agua de drenaje.

Gire el botón del cartucho en sentido contrario al reloj.

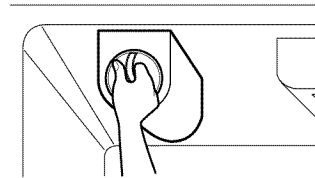


Extráigalo.



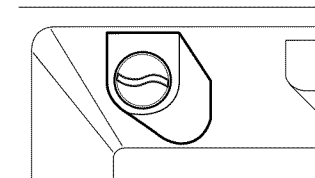
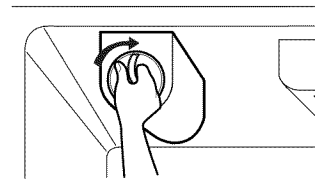
### 2. Reemplace con un cartucho nuevo.

Toma el cartucho nuevo de su empaque y retire la cubierta protectora de los anillos tóricos. Con la manija del cartucho en la posición vertical, empuje el nuevo cartucho de filtro dentro de la cubierta hasta que se detenga.



Presione firmemente el filtro y gírelo en sentido horario cerca de 1/4 de vuelta.

Podrá escuchar claramente cómo el filtro encaja en su posición.



**3. Descargue el sistema de agua tras sustituir el filtro.**  
Descargue agua a través del dispensador durante tres minutos para purgar el sistema.

**NOTA:** Para ordenar un filtro de agua de repuesto llame al 1-800-4-MY-HOME®. Pida la parte número 9990.

## ⚠️ ADVERTENCIA



### Riesgo de Explosión

Use un limpiador no inflamable.  
La falla en hacer esto puede resultar en muerte, explosión, o incendio.

Tanto las secciones del refrigerador y congelador descongelan automáticamente. Sin embargo, limpie ambas secciones aproximadamente una vez al mes para evitar olores. Seque los derrames inmediatamente.

### CONSEJOS GENERALES DE LIMPIEZA

- Desenchufe el refrigerador o desconecte la corriente.
- Retire todas las partes removibles, tales como anaqueles, recipientes, etc. Consulte las secciones en Usando Su Refrigerador para ver las instrucciones sobre cómo retirar.
- Use una esponja para limpiar o paño suave y un detergente ligero en agua tibia. No use limpiadores abrasivos o fuertes.
- Lave a mano, enjuague y seque toda la superficie a fondo.
- Enchufe el refrigerador o reconecte la corriente.

### PARTE EXTERIOR

Encerar las superficies de metal pintadas del exterior ayuda a suministrar protección contra la corrosión. No aplique cera a las partes plásticas. Encere las superficies de metal pintadas al menos dos veces por año usando cera para electrodomésticos (o cera en pasta para automóviles). Aplique la cera con un paño suave y limpio. Para productos con un exterior de acero inoxidable, use una esponja limpia o un paño suave y un detergente ligero en agua tibia. No use limpiadores fuertes o abrasivos. Seque a fondo con un paño suave.

### PAREDES INTERNAS (deje que el congelador se caliente para que el paño no se quede pegado)

Para ayudar a remover los olores dentro del Refrigerador, puede lavar el interior de la unidad con una mezcla de bicarbonato de sodio y agua tibia. Mezcle 2 cucharadas de bicarbonato de sodio a un cuarto de de agua (26g de bicarbonato a 1 litro de agua) Asegurese que el bicarbonato de sodio este disuelto completamente para que no raye la superficie.

**⚠️ CUIDADO:** Mientras limpia el interior, NO rocíe agua en las superficies.

### REVESTIMIENTOS Y EMPAQUES DE LA PUERTA

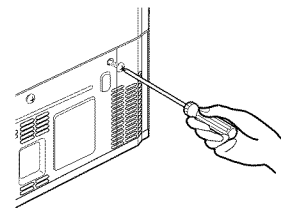
En las partes de plástico del refrigerador no use ceras limpiadoras, detergentes concentrados, blanqueadores, o limpiadores que contengan petróleo.

### PARTES PLÁSTICAS (cubiertas y paneles)

No use sprays limpiadores de ventanas, limpiadores abrasivos, ni fluidos inflamables. Estos pueden rayar o dañar el material.

### BOBINAS DEL CONDENSADOR

Extraiga la tapa trasera.  
Utilice una aspiradora con accesorio alargador para limpiar bobinas del condensador.  
Aspire las bobinas cuando tengan polvo o estén sucias.  
Es posible que sea necesario limpiar las bobinas cada mes.



### REEMPLAZO DEL FOCO

## ⚠️ ADVERTENCIA

### Peligro de descarga eléctrica

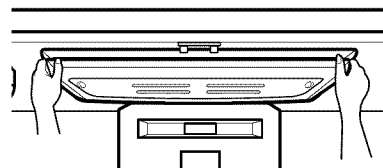
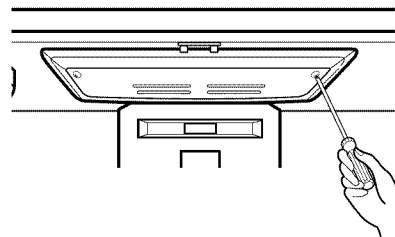
Antes de sustituir una bombilla del interior de la unidad, desenchufe el refrigerador o desconecte la alimentación mediante el disyuntor o la caja de fusibles.

**NOTA:** Mover el control a la posición OFF no quita la energía al circuito de la luz.

**NOTA:** Atención: Algunos modelos tienen un bombillo LED por esta razón solo un tecnico calificado debería reparar la unidad.

### Para cambiar una bombilla del interior del refrigerador:

1. Desconecte el cable de corriente de la toma de energía.
2. Afloje los 2 tornillos.
3. Utilizando una herramienta plana, sostenga ambos extremos con sus manos y tire para extraerla.



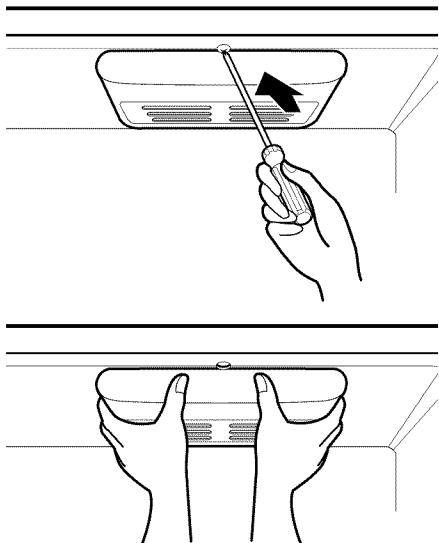
- Cuando haya terminado, reconecte la refrigeradora a la fuente de energía y ajuste los controles a la temperatura deseada. (Control del Termostato del Refrigerador y/o congelador, dependiendo del modelo)

## CUIDADO Y LIMPIEZA

### Para cambiar una bombilla del interior de la nevera:

**NOTA:** Algunos modelos tienen iluminación interior LED, y el servicio técnico debe ser realizado por personal calificado.

1. Desconecte el cable de alimentación del refrigerador del tomacorriente.
2. Retire la tapa del compartimento de la foco con ayuda de un destornillador.
3. Sujete la tapa y tire de ella hacia abajo.



- Cuando usted haya terminado, reconecte el refrigerador a la fuente eléctrica y reinicia los controles. (Termostato, Control del Refrigerador, y/o Control del Congelador, dependiendo del modelo) a la configuración deseada.

### APAGONES

Si la electricidad se va, llame a la compañía de electricidad y pregunte cuánto tiempo estará fuera de servicio.

1. Si no habrá energía por 24 horas o menos, mantenga ambas puertas del refrigerador cerradas para ayudar a que los alimentos se mantengan fríos y congelados.
2. Si no habrá energía por más de 24 horas:
  - a) Retire todo el alimento congelado y guarde en un armario de alimentos congelados.

### CUANDO UD. SALGA DE VACACIONES

**Si usted prefiere dejar el refrigerador encendido mientras está fuera,** antes de salir, siga estos pasos para preparar su refrigerador.

1. Use todos los alimentos perecederos y congele todos los otros artículos.
2. Vacíe el recipiente para el hielo.
3. Apague la máquina de hielo.

**Si usted decide apagar el refrigerador antes de salir,** siga estos pasos.

1. Retire todos los alimentos del refrigerador.
2. Dependiendo de su modelo, fije el control del termostato (control del refrigerador) a OFF. Vea la sección **Configurando los controles**.
3. Limpie el refrigerador, enjuáguelo y séquelo bien.
4. Coloque con cinta bloques de caucho o de madera en las partes superiores de ambas puertas para mantenerlas suficientemente abiertas y permitir que entre el aire. Esto evita que se acumule el olor y el moho.

### CUANDO UD. SE CAMBIE DE CASA

Cuando usted vaya a mover su refrigerador a una nueva casa, siga estos pasos para prepararse a la mudanza

1. Retire todos los alimentos del refrigerador y empaque todos los alimentos congelados en hielo seco.
2. Dependiendo de su modelo, gire el control del termostato (control del refrigerador) a OFF. Vea la sección **Configurando los controles**.
3. Desconecte el refrigerador.
4. Limpie, enjuague y seque completamente.
5. Saque todas las partes removibles, envuélvalas bien y póngales cinta adhesiva para que no se dispersen y pierdan durante la mudanza. Refiérase a las secciones en Usando Su Refrigerador para ver instrucciones sobre partes removibles.
6. Dependiendo del modelo, eleve el frente del refrigerador de forma que ruede más fácilmente O atornille las patas de nivelación completamente para que no rayen el piso. Vea la sección **Cómo Cerrar la Puerta**.
7. Coloque cinta para cerrar las puertas y coloque cinta al cable de alimentación que va al gabinete del refrigerador.

Cuando usted llegue a su nueva casa, saque todo, y consulte la sección **Instalando Su Refrigerador** para ver las instrucciones de preparación.

## ACERCA DE LA FÁBRICA DE HIELO

### MÁQUINA AUTOMÁTICA PARA HACER HIELO

El hielo se produce en la máquina automática de hielo y es enviado al dispensador. La máquina automática de hielo puede elaborar de 80 a 130 cubitos cada 24 horas, de 6. Esta cantidad puede variar según las circunstancias, incluyendo la temperatura del compartimento de la heladera, la temperatura ambiente, el número de veces que se abran las puertas, la carga de la heladera y otras condiciones de funcionamiento.

- Un refrigerador recién instalado tarda 12–24 horas en hacer hielo.
- La fabricación de hielo se detiene cuando el recipiente de almacenamiento de hielo se llena.
- Para apagar la máquina automática de cubitos de hielo, coloque el interruptor en OFF(O). Para encender la máquina automática de cubitos de hielo, coloque el interruptor en ON(I).
- El tamaño de los cubitos puede regularse presionando el Botón de Selección de Tamaño.

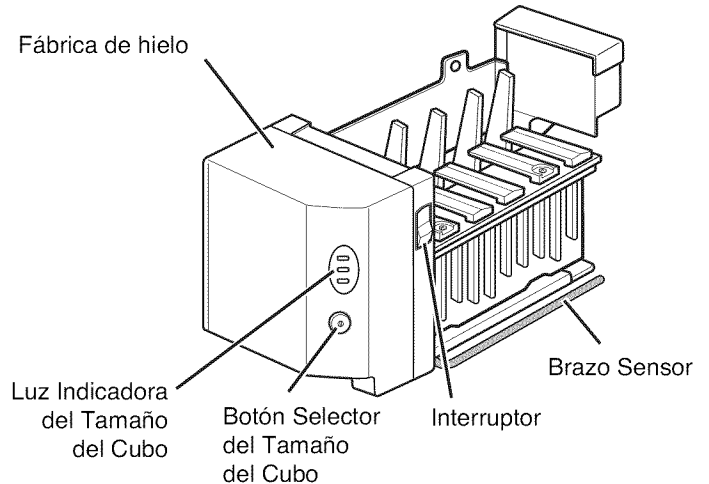
**NOTA:** Es normal que se produzcan ruidos cuando el hielo cae dentro del recipiente de almacenamiento.

- La llave de agua funciona incluso con la tubería de agua no conectada y la heladera activada. El ruido se debe a que la tubería de agua no está conectada y no indica un fallo en la heladera.

### ⚠ ADVERTENCIA

#### Peligro de Lesión Personal

Evite el contacto con las partes móviles del mecanismo eyector, o con el elemento de calefacción que libera los cubos. NO coloque los dedos o manos en el mecanismo automático para hacer hielos mientras el refrigerador esté conectado.



**NOTA:** Levantar el brazo de apagado automático no apaga la máquina de hacer hielo.

## ACERCA DE LA FÁBRICA DE HIELO

### ▲ PRECAUCIONES

- Cuando se utiliza por primera vez, el hielo y el agua pueden incluir partículas u olores provenientes de la línea de suministro de agua o del tanque de agua.
- Tire los primeros hielos que se formen (en torno a 20 cubitos) y purgue el agua durante 2 minutos aproximadamente tras instalar el frigorífico.
- Esto también es necesario si el refrigerador no ha sido usado durante un largo período.
- Nunca coloque latas de bebida u otros alimentos en el reservorio de hielo para lograr un enfriamiento rápido. Hacerlo puede dañar la máquina de hacer hielo o los recipientes pueden explotar.
- Si se dispensara hielo sucio o descolorido, compruebe el filtro y el suministro de agua. Si el problema continúa, contacte con Sears u otro centro de servicio cualificado. No utilice el hielo ni agua hasta solventar el problema.
- Mantenga a los niños alejados del dispensador. Los niños pueden jugar con él o dañar los controles.
- El paso de hielo también puede bloquearse con escarcha si sólo se utiliza hielo triturado. Retire la escarcha que se acumula.
- Nunca utilice vasos de cristal delgado o vajilla de loza para recoger hielo. Dichos recipientes pueden romperse, y los fragmentos de vidrio pueden caer en el hielo.
- Recoja el hielo en un vaso antes de llenarlo con agua u otras bebidas. Pueden provocarse salpicaduras si se sirve hielo en un vaso que ya contiene líquido.
- Nunca utilice un vaso demasiado angosto o profundo. El hielo puede trabarse en el paso del hielo y puede afectar el funcionamiento del refrigerador.
- Mantenga el vaso a una distancia prudencial de la salida del hielo. Si sostiene el vaso demasiado cerca puede bloquear la salida del hielo.
- Para evitar lesiones personales, mantenga las manos lejos de la puerta y del paso del hielo.
- Nunca quite la tapa de la máquina de hielo.
- Si el hielo o agua se dispensan de forma inesperada, cierre el suministro de agua y contacte con un Centro de servicio Sears. Llame al **1-800-4-MY-HOME** (24 horas al día, 365 días al año) y escoja la opción de localizar un servicio técnico autorizado.

### CUANDO DEBERÍA AJUSTAR EL CONMUTADOR DE ENCENDIDO DE LA FÁBRICA DE HIELO A O (APAGADO)

- Cuando el suministro de agua será cortado por varias horas.
- Cuando el recipiente de almacenamiento de hielo sea retirado por más de uno o dos minutos.
- Cuando el refrigerador no será usado por varios días.

**NOTA:** el depósito de hielo debe vaciarse cada vez que el interruptor on/off de la máquina de hielo pase a la posición OFF.

### SONIDOS NORMALES QUE USTED PUEDE ESCUCHAR

- La válvula de la fábrica de hielo producirá un zumbido mientras el productor de hielo se llene con agua. Si el conmutador de energía está en la posición **I (encendido)**, producirá el zumbido aún si no ha sido conectado al agua. Para detener el sonido, mueva el conmutador de encendido a **O (apagado)**.

**NOTA:** el depósito de hielo debe vaciarse cada vez que el interruptor on/off de la máquina de hielo pase a la posición OFF.

**NOTA:** Mantener el conmutador de encendido en la posición **I (encendido)** antes de que la línea de agua sea conectada puede dañar la fábrica de hielo.

- Usted escuchará el sonido de los cubos cayendo en el recipiente y el agua corriendo en los tubos conforme la fábrica de hielo se recargue.

### PREPARÁNDOSE PARA SALIR DE VACACIONES

Ponga el conmutador de energía de la fábrica de hielo en **O (apagado)** y corte el suministro de agua al refrigerador.

**NOTA:** el depósito de hielo debe vaciarse cada vez que el interruptor on/off de la máquina de hielo pase a la posición OFF.

Si la temperatura ambiente baja más allá del punto de congelación, haga que un técnico de servicio calificado drene el sistema de suministro de agua para prevenir serios daños a la propiedad debido a la inundación desde líneas o conexiones de agua rotas.

# CONEXIÓN DE LA LÍNEA DE AGUA

## ANTES DE COMENZAR

Esta instalación de la línea de agua no está garantizada por el fabricante del refrigerador ni de la fábrica de hielo. Siga estas instrucciones con cuidado para minimizar el riesgo de daños onerosos por el agua.

El martillo de agua (golpes del agua en los tubos) en la plomería de la casa puede ocasionar daños a las partes del refrigerador y conducir a fugas de agua o inundación. Llame a un plomero calificado para corregir el martillo de agua antes de instalar la línea de suministro de agua para el refrigerador.

Para evitar daños al producto y quemaduras, no conecte la línea de agua a la línea de agua caliente.

Si usted usa el refrigerador antes de conectar la línea de agua, asegúrese de que el conmutador de encendido de la fábrica de hielo esté en la posición **O (apagado)**.

No instale los tubos de la fábrica de hielo en áreas donde las temperaturas sean menores al punto de congelación.

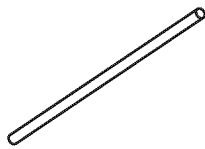
Al usar cualquier dispositivo eléctrico (tal como un taladro eléctrico), durante la instalación, asegúrese de que el dispositivo esté doblemente aislado o conectado a tierra para que evite el peligro de choque eléctrico, o que sea operado por baterías.

Todas las instalaciones deben estar de acuerdo con los requerimientos del código de plomería local.

**NOTA:** Use protección para los ojos.

## LO QUE UD. NECESITARÁ

- **Tubería de Cobre**, 1/4" de diámetro exterior para conectar el refrigerador al suministro de agua. Asegúrese de que ambos extremos de la tubería sean cortados perpendicularmente.



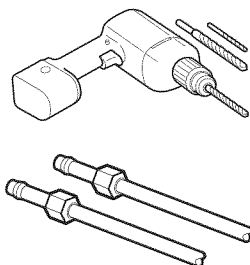
Para determinar cuanta tubería usted necesita: mida la distancia desde la válvula de agua en la parte posterior del refrigerador al tubo de suministro de agua. Luego agregue ocho pies (2.4 m). Asegúrese de que haya suficiente tubería extra (unos 8 pies (2.4 m) enrollados en 3 vueltas de 10" (25 cm de diámetro) para permitir que el refrigerador pueda ser movido de la pared después de su instalación.

- **Un suministro de agua fría.** La presión de agua debe estar entre 20 y 120 p.s.i. en modelos sin filtro de agua y entre 40 y 120 p.s.i. en modelos con filtro de agua.

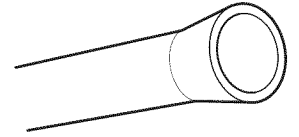
- **Taladro eléctrico.**

- **Llave de 1/2" o aj. estable.**

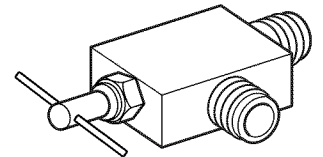
- **Desarmador plano y Phillips.**
- **Dos tuercas de compresión de diámetro exterior de 1/4" y 2 casquillos (mangos)** para conectar la tubería de cobre a la válvula de cierre y a la válvula de agua del refrigerador.



- Si su línea de agua de cobre existente tiene una conexión acampanada en el extremo, usted necesitará un **adaptador** (disponible en las tiendas de suministro de plomería) para conectar la línea de agua al refrigerador **O** usted puede cortar la conexión acampanada con un cortador de tubería y luego usar una conexión de compresión.



- **Válvula de cierre para conectar a la línea de agua fría.** Esta válvula de cierre debería tener una entrada de agua con un mínimo de diámetro interior de 5/32" en el punto de conexión a la LÍNEA DE AGUA FRÍA. Las válvulas de cierre del tipo silla son incluidas en muchos juegos de suministro para el agua. Antes de comprar, asegúrese de que una válvula del tipo silla cumpla con sus códigos de plomería locales.



**NOTA:** no debería utilizarse la válvula de agua auto-perforada de asiento.

## INSTRUCCIONES DE INSTALACIÓN

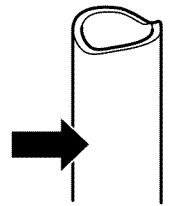
Instale la válvula de cierre en la línea de agua potable usada más frecuentemente y más próxima.

### 1. CORTE DEL SUMINISTRO PRINCIPAL DE AGUA

Abra la llave más próxima para liberar la presión en la línea.

### 2. ELIJA LA UBICACIÓN DE LA VÁLVULA

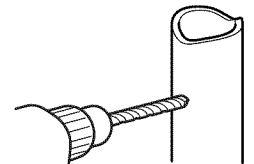
Elija una ubicación para la válvula que sea fácilmente accesible. Es mejor conectar dentro del lado de un tubo de agua vertical. Cuando sea necesario conectar dentro de un tubo de agua horizontal, haga la conexión en la parte superior o lateral, más que en la base, para evitar la aspiración de cualquier sedimento del tubo de agua.



### 3. PERFORACIÓN DEL AGUJERO PARA LA VÁLVULA

Taladre un agujero de 1/4" en la tubería de agua usando una broca filosa. Limpie cualquier polvillo resultante de la perforación del agujero en la tubería. Cuide de no permitir que el agua moje el taladro. El no hacer un agujero de 1/4" puede resultar en una producción disminuida de hielo o en cubos más pequeños.

**NOTA:** La línea de conexión no puede ser de plástico blanco. Los técnicos en fontanería sólo deben emplear tuberías de cobre, tuberías NDA n° 49595 ó 49599, o tuberías de polietileno reticulado (PEX).

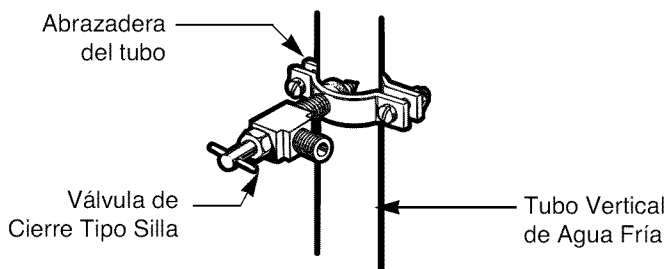


# CONEXIÓN DE LA LÍNEA DE AGUA

## INSTRUCCIONES DE INSTALACIÓN (CONTINUACIÓN)

### 4. INSTALE LA VÁLVULA DE CIERRE

Asegure la válvula de cierre al tubo de agua fría con la abrazadera del tubo.

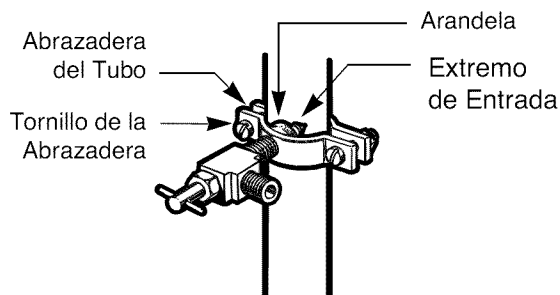


**NOTA:** Conforme a los Códigos de Plomería de la Commonwealth of Massachusetts 248CMR. Las válvulas de silla son ilegales y el uso no es permitido en Massachusetts. Consulte con su plomero autorizado.

### 5. APRIETE LA ABRAZADERA DEL TUBO

Apriete los tornillos de la abrazadera hasta que la arandela de sellamiento comience a engrosar.

**NOTA:** No apriete de más o Ud. puede aplastar la tubería.



### 6. ENRUTE LA TUBERÍA

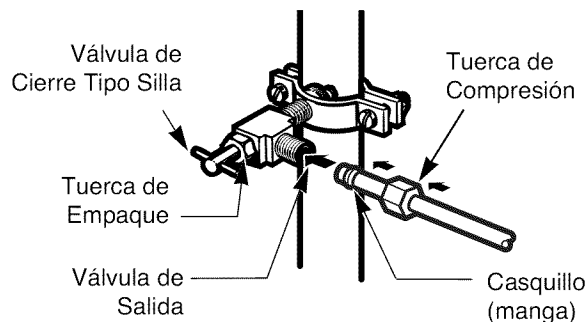
Dirija la tubería entre la línea de agua fría y el refrigerador.

Dirija la tubería a través de un agujero perforado en la pared o en el piso (detrás del refrigerador o del gabinete de base adyacente) tan cerca de la pared como sea posible.

**NOTA:** Asegúrese de que haya suficiente tubería extra (unos 8 pies enrollados en 3 vueltas de unas 10" de diámetro) para que el refrigerador se pueda mover lejos de la pared después de la instalación.

### 7. CONECTE LA TUBERÍA A LA VÁLVULA

Coloque la tuerca de compresión y el casquillo (manga) para la tubería de cobre en el extremo de la tubería y conéctelo a la válvula de cierre. Asegúrese de que la tubería esté completamente insertada en la válvula. Apriete la tuerca de compresión firmemente.

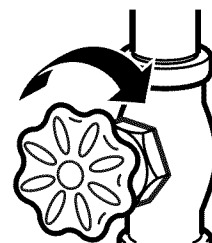


**NOTA:** Conforme a los Códigos de Plomería de la Commonwealth of Massachusetts 248CMR. Las válvulas de silla son ilegales y el uso no es permitido en Massachusetts. Consulte con su plomero autorizado.

### 8. ENJUAGUE LA TUBERÍA

Abra el suministro de agua principal y deje correr el agua en la tubería hasta que el agua esté clara.

Cierre el suministro de agua en la válvula de agua después de que aproximadamente un cuarto de agua haya recorrido a través de la tubería.



## CONEXIÓN DE LA LÍNEA DE AGUA

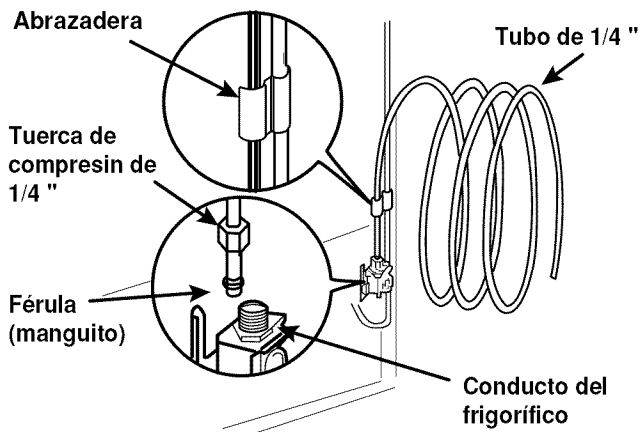
### 9. CONECTAR LA TUBERÍA AL REFRIGERADOR

#### NOTA:

- Antes de hacer la conexión al refrigerador, asegúrese de que el cable eléctrica del refrigerador está desconectada de la toma eléctrica.

1. Retire la cubierta de plástico flexible de la válvula de agua.
2. Coloque la tuerca de compresión y la férula (manguito) en el extremo del tubo como se muestra.
3. Introduzca el extremo del tubo de cobre en el conducto hasta donde sea posible. Apriete la abrazadera mientras sujeta el tubo.

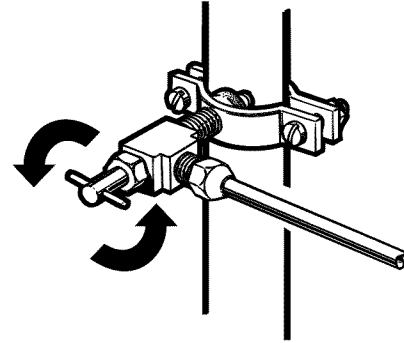
**⚠ PRECAUCIÓN:** Controle si la unidad pierde agua en las juntas de la tubería de agua.



**⚠ PRECAUCIÓN:** Controle si la unidad pierde agua en las juntas de la tubería de agua.

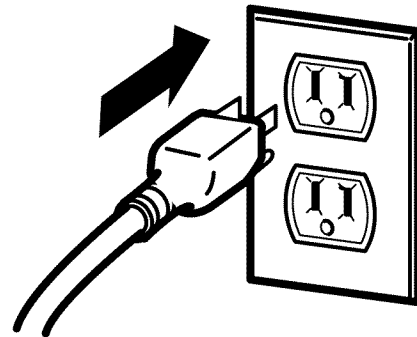
### 10. ABRA EL AGUA EN LA VÁLVULA DE CIERRE

- Apriete cualquier conexión que tenga goteo.
- Vuelva a asegurar la cubierta de acceso al compartimiento del compresor.



### 11. CONECTE EL REFRIGERADOR

- Coloque el rollo de tubería de forma que no vibre contra el respaldo del refrigerador o contra la pared. Empuje el refrigerador hacia la pared.



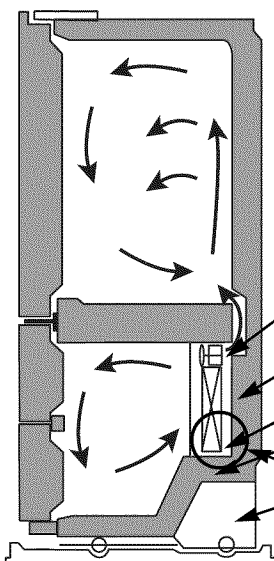
### 12. INICIAR LA MÁQUINA DE HACER HIELO

- Configure el interruptor de la máquina de hacer hielo en la posición **ON**. La máquina de hacer hielo comenzará a operar cuando se alcance una temperatura de 15°F (-9°C). Comenzará entonces la operación automáticamente, si el conmutador de encendido de la fábrica de hielo está en la posición **I (Encendido)**.

# GUÍA PARA LOCALIZACIÓN DE PROBLEMAS

## ENTENDIENDO LOS SONIDOS QUE UD. PUEDE OÍR

Su nuevo refrigerador puede hacer sonidos que su aparato anterior no hacía. Puesto que los sonidos son nuevos para usted, podría estar preocupado sobre ellos. La mayoría de los nuevos sonidos son normales. Las superficies duras, como el piso, paredes y gabinetes, pueden hacer que los sonidos parezcan más fuertes de lo que realmente son. Lo siguiente describe las clases de sonidos y lo que puede estar produciéndolos.



- El temporizador de descongelamiento hará clic cuando el ciclo de descongelamiento automático comience y termine. El control del termostato (o control del refrigerador, dependiendo del modelo) también hará clic al inicio y final del ciclo.
- Los ruidos de cascabeles pueden provenir del flujo del refrigerante, de la línea de agua, o de artículos guardados en la parte superior del refrigerador.
- Su refrigerador está diseñado para funcionar más eficientemente para guardar alimentos a la temperatura deseada. El compresor de alta eficiencia puede causar que su nuevo refrigerador funcione por más tiempo que el antiguo, y puede ser que Ud. oiga un sonido de pulsación o tonos altos.
- Usted puede oír el motor del ventilador del evaporador circulando el aire en el refrigerador y los compartimentos del congelador.
- Conforme cada ciclo termine, usted puede oír un sonido de gorgoteo debido al refrigerante que fluye en su refrigerador.
- La contracción y expansión de las paredes interiores puede causar un sonido de ¡pop!.
- El goteo de agua en el calentador del descongelador durante un ciclo de descongelamiento puede causar un sonido de chirrido.
- Usted puede oír el aire que está siendo forzado sobre el condensador por el ventilador del condensador.
- Usted puede oír el agua que corre a la bandeja de drenado durante el ciclo de descongelamiento.
- Con las puertas abiertas podrá escuchar el ruido generado por el ventilador de formación de hielo en el congelador, en la parte izquierda del frigorífico.

## EL REFRIGERADOR NO FUNCIONA

### Verifique si...

### Luego...

El cable de suministro de energía está desconectado.	Conecte firmemente el cable en un receptáculo que funcione con el voltaje apropiado.
Un fusible de la casa se ha fundido o el interruptor de circuito se disparó.	Reemplace el fusible o reinicie el interruptor de circuito.
El control del refrigerador está colocado en la posición OFF.	Refiérase a la sección <b>Configuración de los Controles</b> en la página 56.
El refrigerador está en el ciclo de descongelar.	Espere unos 30 minutos para que el ciclo de descongelamiento termine.

## VIBRATION OR RATTLING NOISE

### Verifique si...

### Luego...

El refrigerador no está descansando sólidamente sobre el piso.	El piso está débil o desnivelado o las patas de nivelación necesitan ajuste. Vea la sección <b>Instalación</b> en la página 46-55.
--	--

## LAS LUCES NO FUNCIONAN

### Verifique si...

### Luego...

El cable de suministro de energía está desconectado.	Conecte firmemente el cable en un receptáculo que funcione con el voltaje apropiado.
El foco de la luz está flojo en la boquilla.	Gire el control del refrigerador a la posición OFF y desconecte el refrigerador. Retire suavemente el foco y reinsértelo. Luego conecte el refrigerador y reinicie el control del refrigerador.
El foco de la luz se ha quemado.	Reemplace con un foco para electrodomésticos de los mismos vatios, tamaño y forma disponible en su ferretería local. ( Vea la sección <b>Cómo Cambiar los Focos</b> en las páginas 64-65). Ajuste el control de temperatura a la posición OFF y desconecte el refrigerador antes del reemplazo.

## GUÍA PARA LOCALIZACIÓN DE PROBLEMAS

### EL COMPRESOR PARECE FUNCIONAR DEMASIADO

Verifique si...

Luego...

El refrigerador que fue reemplazado era un modelo más viejo.	Los refrigeradores modernos con más espacio de almacenamiento requieren más tiempo para operación.
La temperatura de la habitación es más calurosa que lo normal.	El motor funcionará más tiempo bajo condiciones de calor. A temperaturas de habitación normales, espere que su motor funcione entre 40 y 80% del tiempo. Bajo condiciones de más calor, espere que funcione con más frecuencia.
La puerta está abierta con frecuencia o una gran cantidad de alimento ha sido agregada.	Agregar alimentos y abrir la puerta calienta el refrigerador. Es normal para el refrigerador funcionar más tiempo con objeto de enfriar el refrigerador a la temperatura anterior. Añadir una gran cantidad de alimentos calienta el refrigerador. Vea a la sección <b>Guía de Almacenamiento de Alimentos</b> en la página 58. Con objeto de conservar la energía, trate de obtener todo lo que usted necesita del refrigerador de una sola vez, mantenga el alimento organizado de forma que sea fácil de encontrar y cierre la puerta tan pronto como el alimento sea retirado.
El refrigerador fue recientemente conectado y el control del refrigerador estaba ajustado correctamente.	El refrigerador tarda unas 24 horas en enfriarse completamente.
El control del refrigerador no está correctamente ajustado para las condiciones prevalecientes.	Vea la sección <b>Ajuste de Controles</b> en la página 58.
Las puertas no están cerradas por completo.	Empuje las puertas firmemente para que cierren bien. Si no cierran completamente, vea Las puertas no cerrarán completamente a continuación.
Las bobinas del condensador están sucias.	Esto evita la transferencia de aire y hace que el motor funcione más duramente. Limpie las bobinas del condensador. Refiérase a la sección <b>Cuidado y Limpieza</b> en las páginas 64-65.

### LAS PUERTAS NO CIERRAN COMPLETAMENTE

Verifique si...

Luego...

El refrigerador no está nivelado.	Vea <b>Nivelación y Alineamiento de la Puerta</b> en la página 55.
Los paquetes de alimentos están bloqueando la apertura de la puerta.	Vuelva a colocar los recipientes de alimentos para liberar la puerta y los compartimentos de la puerta.
El recipiente del hielo, la cubierta del recipiente, charolas, anaqueles, compartimentos de la puerta o canastas están fuera de su lugar.	Coloque todos los recipientes bien adentro y ponga la cubierta del recipiente, cazuelas, anaqueles y canastas en sus posiciones correctas. Use la sección <b>Usando Su Refrigerador</b> en las páginas 56-63.
Los empaques están pegajosos.	Limpie los empaques y las superficies que estos tocan. Frote una capa delgada de cera de parafina en los empaques después de limpiar.
El refrigerador se bambolea o parece inestable.	Nivele el refrigerador. Refiérase a la sección <b>Nivelación y Alineamiento de Puerta</b> en la página 55.
Las puertas fueron retiradas durante la instalación del producto y no fueron colocadas nuevamente en su lugar apropiadamente.	Retire y reemplace las puertas de acuerdo a la sección <b>Cómo Retirar la Puerta del Refrigerador y Cómo Volver a Colocar Puertas y Jaladeras del Refrigerador</b> en las páginas 47-50, o llame a un técnico de servicio calificado.

### CRISTALES DE ESCARCHA O HIELO EN ALIMENTOS CONGELADOS

Verifique si...

Luego...

La puerta no está cerrando adecuadamente.	Vea <b>Las puertas no cerrarán completamente</b> arriba.
La puerta es abierta con frecuencia.	Cuando la puerta es abierta, se permite el aire húmedo, caliente en el congelador, resultante en escarcha.

## GUÍA PARA LOCALIZACIÓN DE PROBLEMAS

### EL HIELO TIENE MAL SABOR U OLOR

Verifique si...

Luego...

La fábrica de hielo fue instalada recientemente.	Deseche los primeros lotes de hielo para evitar hielo sin sabor y descolorido.
El hielo ha estado almacenado demasiado tiempo.	Tire el hielo viejo y haga nuevo.
El alimento no ha sido envuelto herméticamente en algún compartimiento	Vuelva a envolver los alimentos puesto que los olores pueden migrar al hielo si el alimento no está bien envuelto.
El suministro de agua contiene minerales tales como azufre.	Puede ser necesario instalar un filtro (o reemplazarlo) para eliminar el problema de olor y sabor.
El interior del refrigerador necesita limpieza.	Vea la sección <b>Cuidado y Limpieza</b> en las páginas 64-65.
El recipiente de almacenaje de hielo necesita limpieza.	Vacíe y lave el recipiente. Tire los hielos viejos.

### HAY AGUA EN LA CHAROLA DE DRENADO DEL DESCONGELADOR

Verifique si...

Luego...

La temperatura del congelador es suficientemente fría para producir hielo.	El agua se evaporará. Es normal que el agua gotee en la charola de descongelamiento.
Se dejó abierta la puerta.	Espere que el agua en la charola de descongelamiento se tardará más en evaporar. Esto es normal cuando hace calor o humedad.

### EL REFRIGERADOR PARECE HACER DEMASIADO RUIDO

Verifique si...

Luego...

Los sonidos pueden ser normales para su refrigerador.	Refiérase a la sección <b>Entendiendo los Sonidos que Usted Puede Oír</b> en la página 71.
---	--

### LA FÁBRICA DE HIELO NO ESTA PRODUCIENDO HIELO O LOS CUBOS DE HIELO SE ESTÁN CONGELANDO DEMASIADO LENTAMENTE

Verifique si...

Luego...

Está seleccionado el nivel de tamaño de cubo más pequeño.	Espere 24 horas después de iniciar la producción de hielo. Vea la sección <b>Ajustando los Controles</b> en la página 56.
La válvula de cierre de agua que conecta el refrigerador a la línea de agua puede estar tapada.	Verifique para ver si algo está manteniendo la puerta abierta.

### LOS CUBOS HECHOS LA FÁBRICA DE HIELO SON DEMASIADO PEQUEÑOS

Verifique si...

Luego...

Está seleccionado el nivel de tamaño de cubo más pequeño.	Seleccione el tamaño de cubo más grande usando el selector de tamaño de cubo.
La válvula de cierre de agua que conecta el refrigerador a la línea de agua puede estar tapada.	Llame a un plomero para limpiar la válvula.

## GUÍA PARA LOCALIZACIÓN DE PROBLEMAS

### LAS PUERTAS ABREN CON DIFICULTAD

Verifique si...

Luego...

Los empaques están sucios o pegajosos.	Limpie los empaques y las superficies que tocan. Frote un paño delgado de pulimento para aparatos domésticos o cera de cocina en los empaques después de limpiar.
La puerta es reabierta en un corto tiempo después de haber sido abierta	Cuando usted abre la puerta, el aire más caliente entra al refrigerador. Conforme el aire caliente se enfría, puede crear un vacío. Si es difícil abrir la puerta, espere 5 minutos para permitir que la presión del aire se iguale, luego vea si se abre más fácilmente.

### LA TEMPERATURA ES DEMASIADO CALIENTE O HAY ACUMULACIÓN DE HUMEDAD

Verifique si...

Luego...

Las ventilas de aire están bloqueadas. El aire frío circula desde el congelador a la sección de frutas frescas y de regreso a través de los ventilas de aire que dividen las 2 Secciones.	Ubique las ventilaciones de aire usando su mano para sentir el flujo de aire y mueva todos los paquetes que bloqueen las ventilas y restrinjan el flujo de aire.
Las puertas son abiertas con frecuencia.	Cuando la puerta es abierta, se permite la entrada de aire húmedo tibio en el refrigerador. Entre más se abre la puerta, más rápidamente la humedad se deposita, y más aire tibio tiene que enfriar el refrigerador. Con objeto de mantener frío el refrigerador, trate de sacar todo lo que necesita del refrigerador a la vez, mantenga el alimento organizado de manera que sea fácil de encontrar y cierre la puerta tan pronto como el alimento sea retirado.
El control no está actualmente fijado para las condiciones del lugar.	Refiérase a la sección <b>Configurando los Controles</b> en la página 50. Espere 24 horas para que las temperaturas se estabilicen o nivelen. Si la temperatura es demasiado fría o demasiado caliente, mueva el control una vez a la vez.
Una gran cantidad de alimento ha sido apenas agregado al refrigerador o congelador.	Añadir alimentos calienta el refrigerador. Puede tomarle varias horas para que regrese a la temperatura normal.
El alimento no está empacado correctamente.	Envuelva los alimentos herméticamente y seque los recipientes húmedos antes de almacenarlos en el refrigerador para evitar acumulación de humedad. Si es necesario, vuelva a empacar los alimentos de acuerdo a los lineamientos en la sección <b>Guía de Almacenamiento de Alimentos</b> en la página 52.
Las puertas no están cerrando completamente.	Vea <b>Las puertas no cierran completamente</b> en la página 67.
El clima es húmedo.	En clima húmedo, el aire transporta humedad al refrigerador cuando las puertas están abiertas.
Un ciclo de auto-descongelación se terminó.	Es normal que se formen gotas en la pared trasera después de que el refrigerador se auto-descongele.







## TABLE DES MATIÈRES

<b>Version En Français</b>	<b>78</b>	Contrôle d'humidité des bacs à légumes	99
<b>Garantie</b>	<b>79</b>	Enlèvement des bacs a legumes	99
<b>Accords De Protection</b>	<b>80</b>	Glide'N'Serve (Glissez et servez)	99
<b>Mesures de sécurité</b>	<b>81-82</b>	Modular Door Bin (Casiers Modulaires de Porte)	99
<b>Spécifications pour la mise à la terre</b>	<b>82</b>	Compartiment à produits laitiers	99
<b>Composants et fonctions</b>	<b>83</b>	Porte – oeufs	99
<b>Installation du réfrigérateur</b>	<b>84-93</b>	<b>► COMPARTIMENT CONGÉLATEUR</b>	
Déballage du réfrigérateur	84	Bac a glace supplémentaire	100
Installation	84	Cloison du Durabase	100
Extraction et réinstallation des portes et des poignées de votre réfrigérateur	85-88	FILTRE à eau	101
Comment enlever et remettre le tiroir coulissant	89-92	<b>Entretien et nettoyage</b>	<b>102-103</b>
Nivellement et alignement de la porte	93	Conseils pour le nettoyage général	102
Couvercle de la base	93	Extérieur	102
<b>Utilisation de votre réfrigérateur</b>	<b>94-101</b>	Parois intérieures	102
Réglage des commandes	94	Contre-porte et paniers de la porte	102
Pour garantir une circulation de L'air appropriée	94	Pièces en plastique	102
Réserve a glaçons dans la contre-porte	95	Serpentin	102
Réglage de la configuration des commandes	96	Remplacement de l'ampoule d'éclairage	102-103
Guide pour le stockage d'aliments	96	Pannes d'électricité	103
Stockage d'aliments congelés	97	Si vous partez en vacances	103
<b>► COMPARTIMENT RÉFRIGÉRATEUR</b>		Quand vous déménagez	103
Distributeur de l'eau	97	<b>À propos de la machine à glaçons automatique</b>	<b>104-105</b>
Les tablettes du réfrigérateur	98	<b>Connexion du conduit d'eau</b>	<b>106-108</b>
Porte-Bouteilles (Selon les modèles)	98	<b>Guide de dépannage</b>	<b>109-112</b>



## GARANTIE RÉFRIGÉRATEUR CONGÉLATEUR EN BAS

### Garantie limitée Kenmore Elite

Une fois installé, mis en fonction et entretenu conformément à toutes les consignes fournies avec le produit, si cet appareil a une défaillance due à un défaut de matériel ou de main-d'œuvre dans la première année suivant la date d'achat, téléphonez au 1-800-4-MY-HOME® afin de prendre les arrangements nécessaires pour une réparation gratuite.

Si le système réfrigérant scellé est défectueux dans les cinq années suivant la date d'achat, téléphonez au 1-800-4-MY-HOME® afin de prendre les arrangements nécessaires pour une réparation gratuite.

Cette garantie est applicable pendant seulement 90 jours à partir de la date d'achat si cet appareil est utilisé dans un autre but qu'une utilisation familiale privée.

### **Cette garantie couvre seulement les défauts de matériel et de main-d'œuvre. Sears ne paiera PAS pour :**

1. Les articles consommables qui peuvent s'user dans des conditions d'usure normale, incluant, mais sans s'y limiter, les filtres, courroies, ampoules et sacs.
2. Les services d'un technicien en entretien et en réparation pour expliquer à l'utilisateur l'installation, le fonctionnement et l'entretien appropriés du produit.
3. Les services d'un technicien en entretien et en réparation pour nettoyer ou entretenir ce produit.
4. Les dommages à ou les défaillances de ce produit s'il n'est pas installé, utilisé ou entretenu conformément à toutes les consignes fournies avec le produit.
5. Les dommages à ou les défaillances de ce produit résultant d'un accident, de l'abus, d'un mauvais emploi ou d'une utilisation inappropriée.
6. Les dommages à ou les défaillances de ce produit causés par l'utilisation de détergents, de nettoyeurs, de produits chimiques ou d'outils autres que ceux recommandés dans toutes les consignes fournies avec le produit.
7. Les dommages à des ou les défaillances de pièces ou de systèmes résultant de modifications non autorisées apportées à ce produit.

### **Avis de non-responsabilité des garanties implicites; limitation des recours**

L'unique et exclusif recours du client sous cette garantie limitée sera la réparation du produit aux conditions mentionnées dans ce document. Les garanties implicites, incluant les garanties de commercialité ou en fonction d'un but particulier, sont limitées à une année ou à la période la plus courte permise par la loi. Sears ne sera pas tenue responsable des dommages indirects ou consécutifs. Certains États et provinces ne permettent pas l'exclusion ou la limitation des dommages indirects ou consécutifs ou la limitation de la durée des garanties implicites de commercialité ou en fonction d'un but particulier, donc ces exclusions ou limitations peuvent ne pas s'appliquer à vous.

Cette garantie est applicable seulement pendant que cet appareil est utilisé aux États-Unis ou au Canada.

Cette garantie vous octroie des droits spécifiques et vous pouvez aussi posséder d'autres droits qui peuvent varier d'un État à l'autre.

**Sears, Roebuck and Co., Hoffman Estates, IL 60179**

**Sears Canada Inc., Toronto, Ontario, Canada M5B 2B8**

## ACCORDS DE PROTECTION

### Contrat de protection supérieure

*Félicitations pour votre achat intelligent.* Votre nouveau produit Kenmore® est conçu et fabriqué pour des années de fonctionnement fiable. Toutefois, comme tous les produits, il peut nécessiter à l'occasion un entretien ou une réparation de prévention. C'est dans ces cas-là que le Prototype d'accord de protection peut vous épargner de l'argent et des problèmes.

C'est alors que votre Contrat de protection supérieure peut vous faire économiser de l'argent et des énervements. Le Contrat de protection supérieure vous aide également à prolonger la vie de votre nouveau produit. Voici ce que couvre ce contrat de garantie :

- Les pièces et la main-d'oeuvre nécessaires pour que votre appareil continue à bien fonctionner à un usage normal, et pas juste les vices de pièces et de main-d'oeuvre. Notre couverture dépasse largement la garantie du produit. Pas de franchise, pas de panne fonctionnelle exclues de notre couverture – une protection réelle.
- Un service expert par une force de plus de 10 000 techniciens de service Sears autorisés, ce qui signifie que la personne qui s'occupera de votre appareil sera pleinement qualifiée.
- Un nombre illimité d'appels de service et un service national, aussi souvent que vous le désirez, partout où vous le désirez.
- Une garantie "pas citron" – nous remplacerons le produit couvert si quatre pannes ou plus se produisent pendant les premiers douze mois.
- Le remplacement du produit si le produit couvert ne peut être réparé.
- Une vérification d'entretien préventif chaque année si vous la demandez – gratuitement.
- Aide rapide par téléphone – c'est ce que nous appelons Résolution rapide – un soutien téléphonique d'un représentant Sears pour tous les produits. Pensez à ce service comme à un « guide d'utilisation vocal ».
- Une protection contre les sautes de puissance en cas de dommage électrique dû à des fluctuations de puissance électrique.
- 250 \$ de protection en cas de perte d'aliments chaque année, pour toute perte d'aliments si cette perte est due à une panne mécanique de tout réfrigérateur ou congélateur couvert.
- Le remboursement d'une location si la réparation de votre produit couvert prend plus de temps que prévu.
- 10% d'escompte sur le prix normal de toute réparation non couverte et de toutes les pièces installées connexes.

Quand vous aurez souscrit à ce contrat, il vous suffira de donner un simple coup de téléphone pour obtenir notre service. Vous pouvez appeler n'importe quand, jour et nuit, ou obtenir un rendez-vous en ligne à l'Internet.

Le Prototype d'accord de protection est un achat sans risque. Si pour une raison quelconque vous annulez durant la période de garantie du produit, vous obtiendrez un remboursement complet. Ou bien, vous bénéficierez d'un remboursement calculé au prorata n'importe quand après l'expiration de la période de garantie du produit. Faites l'achat de votre Prototype d'accord de protection dès aujourd'hui !

**Certaines limites et exclusions s'appliquent.**

**Pour obtenir les prix et des renseignements additionnels, aux États-Unis, appelez le 1-800-827-6655.**

**\* La couverture au Canada varie sur certains articles. Pour de plus amples renseignements, appelez au Canada le 1-800-361-6665.**

**Service d'installation Sears**

*Pour une installation professionnelle* d'un appareil électroménager, d'un mécanisme d'ouverture de porte de garage, d'un appareil de chauffage d'eau ou de tout article ménager majeur de Sears, aux États-Unis ou au Canada, appelez le **1-800-4-MY-HOME®**.

## ENREGISTREMENT DU PRODUIT

Dans l'espace ci-dessous, noter la date d'achat, les numéros de modèle et de série du produit. Les numéros de modèle et de série sont imprimés sur la plaque signalétique du côté droit du compartiment du réfrigérateur. Avoir ces informations disponibles au moment de communiquer avec Sears concernant ce produit.

N° de modèle \_\_\_\_\_

Date d'achat \_\_\_\_\_

N° de série \_\_\_\_\_

Conserver ces instructions et la facture à des fins de références.

# INSTRUCTIONS DE SÉCURITÉ IMPORTANTES

## PRÉCAUTIONS DE SÉCURITÉ DE BASE

Ce manuel contient plusieurs messages de sécurité importants. Lisez et obéissez toujours tous les messages de sécurité.



Celui-ci est le symbole d'un avis de sécurité. Il vous avertit sur des messages de sécurité vous signalant des risques de mort ou de blessures pour vous ou pour d'autres personnes ou bien sur des risques d'endommager le produit.

Tous les messages de sécurité seront précédés du symbole d'avis de sécurité et du mot-indicateur DANGER, AVERTISSEMENT, ATTENTION. Ces mots signifient:

 **DANGER**

Vous **serez** mort ou gravement blessé si vous ne suivez pas ces instructions.

 **AVERTISSEMENT**

Vous **pouvez** être mort ou gravement blessé si vous ne suivez pas ces instructions.

 **ATTENTION**

Signale des situations dangereuses, sinon interdites, **pouvant** provoquer des blessures peu importantes ou endommager uniquement le produit.

Tous les messages de sécurité identifient le risque, vous disent comment réduire les chances de vous blesser et vous racontent ce qui se passe si les instructions ne sont pas respectées.

## AVERTISSEMENT

**Pour réduire le risque d'incendie, de choc électrique ou de blessures lors de l'utilisation de votre produit, les mesures de sécurité de base, dont les suivantes, doivent être respectées: Lisez toutes les instructions avant d'utiliser cet appareil.**

- Ne débranchez JAMAIS votre réfrigérateur en tirant du câble d'alimentation. Saisissez toujours fermement la fiche et bien la débrancher de la prise de courant.
- Réparez ou remplacez immédiatement tout cordon d'alimentation devenu effiloché ou endommagé d'une autre manière. N'utilisez pas de cordons montrant des fissures ou des marques d'abrasion dans sa longueur ou dans la fiche ou l'extrémité du connecteur.
- Ne pas prolonger ou modifier la longueur du câble d'alimentation. Cela risquerait d'entraîner un choc électrique ou un incendie.
- Lorsque vous éloignez l'appareil du mur, assurez-vous de ne pas le faire rouler sur le cordon d'alimentation ou de ne pas l'abîmer autrement.
- N'emmagasinez ni n'utilisez de l'essence ou d'autres liquides ou gaz inflammables près de cet appareil ou de n'importe quel autre appareil.
- Ne permettez pas aux enfants de grimper, s'asseoir, se mettre debout ni de se pendre à la porte centrale du réfrigérateur. Ils pourraient abîmer le réfrigérateur et subir des blessures graves.
- Maintenez vos doigts loin des zones des points de pincement; les espaces entre les portes et le boîtier étant nécessairement minuscules. Veillez à fermer les portes lorsqu'il y a des enfants dans les alentours.
- Débranchez votre réfrigérateur avant de procéder à toute opération de nettoyage ou réparation.  
**REMARQUE:** Nous recommandons vivement que toute réparation soit effectuée par une personne qualifiée.
- Avant de remplacer une ampoule d'éclairage brûlée, débranchez le réfrigérateur ou déplacez le disjoncteur ou le fusible sur la position arrêt afin d'éviter le contact avec le filament d'un fil sous tension. (Une ampoule d'éclairage brûlée peut se casser lorsqu'elle est remplacée.)  
**REMARQUE:** Certains modèles sont dotés d'un éclairage intérieur DEL. L'entretien ne devrait être réalisé que par un technicien qualifié.

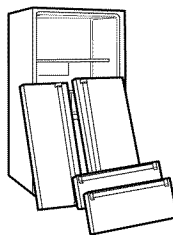
**REMARQUE:** Même si vous réglez un interrupteur ou les deux interrupteurs sur la position Arrêt, cela ne met pas le circuit de la lampe hors tension.

- Une fois terminé, rebrancher le réfrigérateur et reconfigurer les commandes (thermostat, commande du réfrigérateur et/ou commande du congélateur, selon le modèle) au réglage désiré.
- Ce réfrigérateur doit être correctement installé en respectant les Instructions pour l'installateur qui sont collées sur la façade du réfrigérateur.
- Dès que votre réfrigérateur est en marche, ne touchez pas aux surfaces froides du compartiment du congélateur si vos mains sont humides ou mouillées. Votre peau pourrait s'adhérer à ces surfaces extrêmement froides.
- Évitez le contact avec les pièces mobiles du mécanisme d'éjection ou avec l'élément chauffant qui libère les glaçons dans les réfrigérateurs à machine à glaçons automatique. Ne placez pas vos doigts ou vos mains dans le mécanisme automatique de la machine à glaçons alors que le réfrigérateur est branché.
- Ne congelez pas de nouveau les aliments qui se sont complètement dégelés. Le Ministère de l'Agriculture des États-Unis dit, dans son bulletin n° 69:  
...Vous pouvez, en toute sécurité, congeler de nouveau des aliments congelés qui se sont dégelés s'ils contiennent encore des cristaux de glace ou qu'ils sont encore froids—au-dessous de 40°F (4°C).  
...La viande hachée, la volaille ou le poisson dégelés ayant une odeur ou une couleur anormales ne doivent être ni congelés de nouveau ni mangés. La crème glacée fondue doit être jetée. Si l'odeur ou la couleur d'un aliment quelconque est mauvaise ou douteuse, en débarrassez-vous.  
Il pourrait être dangereux de manger de tels aliments. Même une décongélation partielle et une nouvelle congélation réduisent la qualité pour la consommation des aliments, notamment des fruits, des légumes et des plats préparés. La qualité pour la consommation des viandes rouges est moins affectée que celle de la plupart des autres aliments. Utilisez les aliments recongelés dès que possible afin de préserver autant que possible leur qualité.

## CONSERVER CES INSTRUCTIONS

## **⚠ DANGER : RISQUE POUR LES ENFANTS DE RESTER ENFERMÉS À L'INTÉRIEUR DU RÉFRIGÉRATEUR**

Les réfrigérateurs mis au rebut ou abandonnés sont dangereux... même s'ils ne restent sur place que pendant quelques jours. Si vous vous débarrassez de votre ancien réfrigérateur, veuillez suivre les instructions figurant à droite afin de prévenir tout accident (emprisonnement et suffocation d'un enfant).



### **AVANT DE VOUS DEBARRASSER DE VOTRE VIEUX REFRIGERATEUR OU CONGELATEUR**

- Enlevez les portes.
- Laissez les tablettes à sa place pour que les enfants ne puissent pas y grimper aisément.

## **ÉLIMINATION DU CFC**

Votre vieux réfrigérateur peut avoir un système de réfrigération employant du CFC (chlorofluorocarbure). Les réfrigérants CFC seraient nocifs pour l'ozone stratosphérique.

Si vous jetez votre vieux réfrigérateur, veuillez à enlever le réfrigérant CFC pour une élimination appropriée par un technicien qualifié. Si vous libérez intentionnellement ce réfrigérant CFC, vous pouvez être soumis à des amendes et à des peines d'emprisonnement suivant les dispositions de la législation en matière d'environnement.

## **SPÉCIFICATIONS POUR LA MISE À LA TERRE**

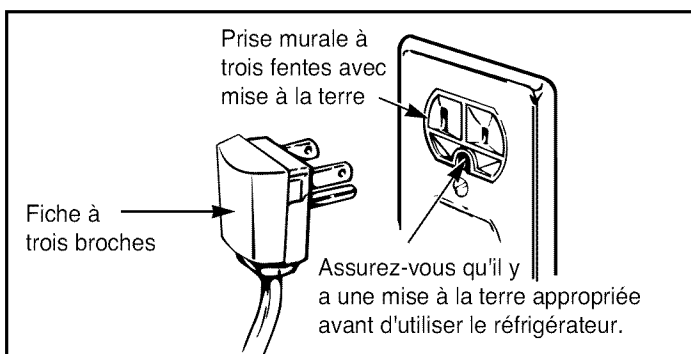
**IMPORTANT:** Veuillez lire attentivement cette section.  
**POUR LA MISE SOUS TENSION DE CET APPAREIL**

### **⚠ AVERTISSEMENT**

#### **Risque d'électrocution**

**POUR LA SÉCURITÉ DES PERSONNES,** cet appareil doit être correctement mis à la terre.

Demandez à un électricien qualifié de vérifier la prise murale ainsi que le circuit pour vous assurer que la prise murale est correctement mise à la terre.



### **MÉTHODE DE MISE À LA TERRE RECOMMANDÉE**

Le réfrigérateur doit être toujours branché sur une prise de courant correctement reliée à la terre et dédiée, classée pour 115 V, 60 Hz, uniquement à c.a. et munie d'un fusible de 15 ou 20 ampères. Ceci assure la meilleure performance et prévient aussi la surchauffe des circuits électriques de l'installation, évitant le risque d'incendie par surchauffe des câbles. Il est recommandé d'utiliser un circuit séparé pour cet

appareil. Utilisez une prise de courant qui ne puisse pas être éteinte par un interrupteur ou une chaînette. N'employez pas de rallonges.

Si la prise murale n'a que deux fentes, c'est votre responsabilité et votre obligation personnelles de la faire remplacer par une prise murale à trois encoches correctement reliée à la terre.

**Ne coupez ni n'enlevez la broche de mise à la terre de la fiche du cordon d'alimentation dans aucune circonstance.**

**Ne pas utiliser d'adaptateur.**

**REMARQUE :** Avant de réaliser la moindre installation, d'effectuer un nettoyage ou de procéder au remplacement d'une ampoule, débrancher le réfrigérateur.

**REMARQUE :** Certains modèles sont dotés d'un éclairage intérieur DEL. L'entretien ne devrait être réalisé que par un technicien qualifié.

Une fois terminé, rebrancher le réfrigérateur et reconfigurer les commandes (thermostat, commande du réfrigérateur et/ou commande du congélateur, selon le modèle) au réglage désiré.

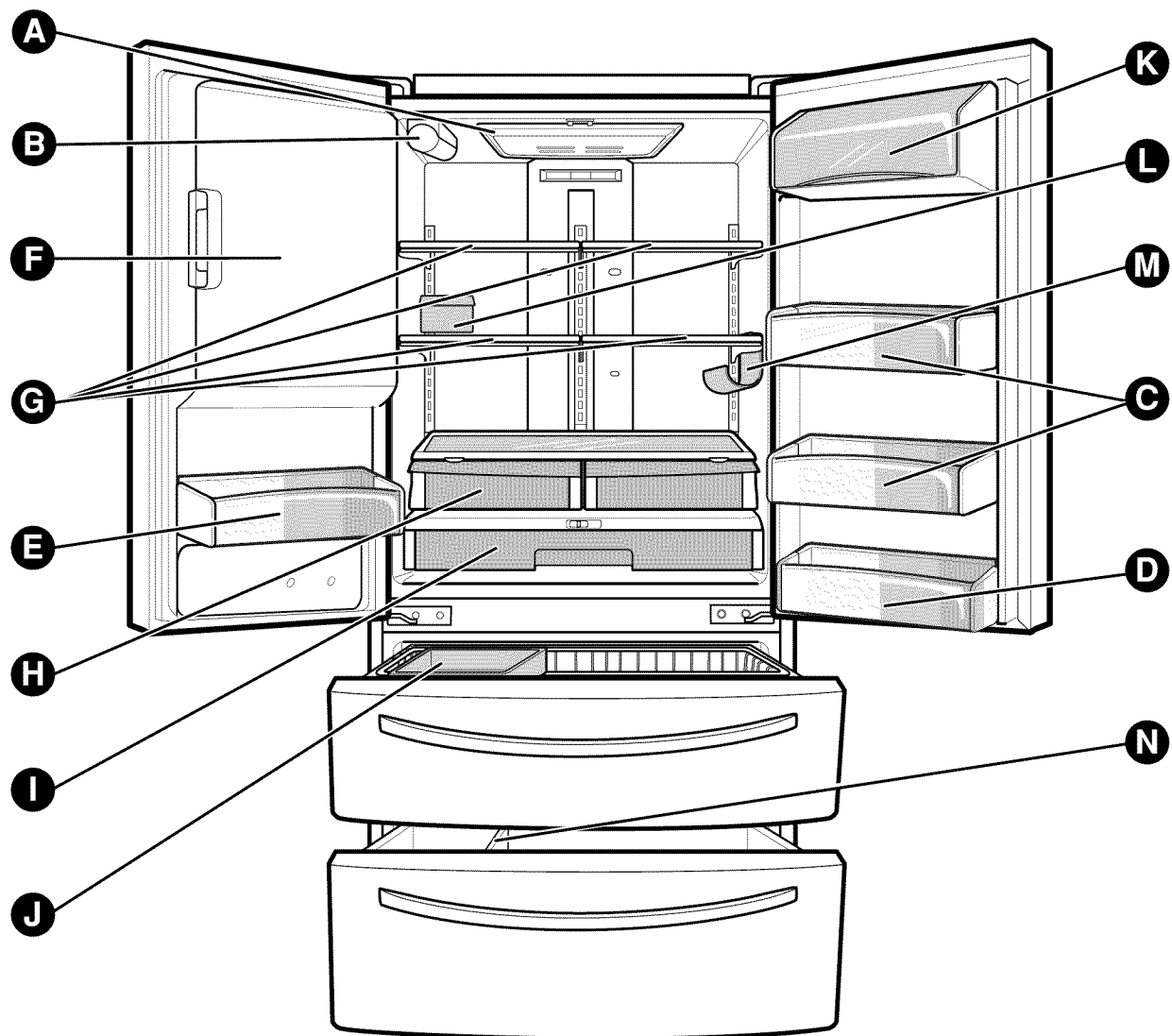
### **UTILISATION DE RALLONGES**

**En raison des risques potentiels pour la sécurité, nous décourageons vivement l'utilisation d'une rallonge.**

**Cependant,** si vous voulez quand même utiliser une rallonge, il vous faut absolument employer une rallonge trifilaire, certifiée UL (États-Unis), avec une fiche et une prise murale pour mise à la terre, classée 15 ampères minimum, pour 120V.

L'utilisation d'une rallonge augmentera l'espace libre requis pour la partie arrière du réfrigérateur.

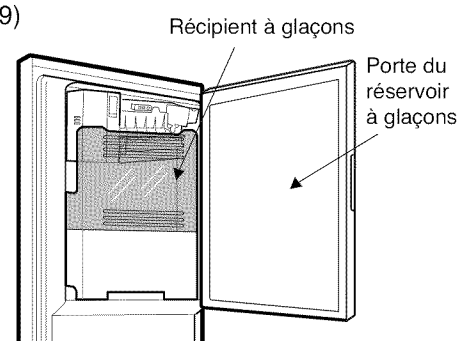
## COMPOSANTS ET FONCTIONS



Utilisez cette page pour vous familiariser avec les composants et les fonctions de l'unité.

**REMARQUE:** Ce manuel couvre plusieurs modèles différents. Le réfrigérateur que vous avez acheté peut avoir certains ou tous les éléments listés ci-dessous. L'emplacement des fonctions montré ci-dessous pourrait ne pas coïncider avec celui de votre modèle.

- A** Lumière du réfrigérateur
- B** Filtre à eau (Intérieur) (p. 101)
- C** Bacs modulables de porte (p. 99)
- D** Casier de porte fixe
- E** Casier de porte basculant
- F** Compartiment Glaçons (p. 95)
- G** Tablettes (p. 98)
- H** Bac à légumes (p. 99) (pour préserver la fraîcheur des fruits et légumes)
- I** Machine à glaçons Customcube (p. 99)
- J** Bac a glace supplémentaire (p. 100)
- K** Compartiment à produits laitiers (p. 99)
- L** Porte-oeufs (p. 99)
- M** Porte-bouteilles (p. 98)  
(Seulement 795.7876\* Modèle)
- N** Panier de la porte du congélateur (p. 100)



# INSTALLATION DU RÉFRIGÉRATEUR

## ⚠ AVERTISSEMENT

### Risque de poids excessif

Faites appel à deux ou plus personnes pour déplacer et installer le réfrigérateur.

Autrement, vous risquez de vous faire mal au dos ou de subir d'autres blessures.

## DÉBALLAGE DE VOTRE RÉFRIGÉRATEUR

Retirez le papier adhésif et toute étiquette temporaire de votre réfrigérateur avant de l'utiliser. Ne retirez pas les étiquettes d'avertissement, l'étiquette du modèle et du numéro de série ou les spécifications techniques qui sont fixées à la cloison arrière du réfrigérateur.

Pour retirer tout reste de ruban adhésif ou de colle, frottez rapidement la zone avec votre pouce. Les restes de ruban adhésif ou de colle peuvent être également enlevés en frottant une petite quantité de savon liquide à vaisselle sur l'adhésif avec vos doigts.

Nettoyez-le avec de l'eau tiède et séchez-le.

N'employez pas d'instruments tranchants, alcool à brûler, substances inflammables ni des détergents abrasifs pour enlever le ruban adhésif ou la colle. Ces produits peuvent endommager la surface de votre réfrigérateur. Pour plus d'information, reportez-vous à la section **Instructions de sécurité importantes**.

Les tablettes du réfrigérateur sont installées dans la position prévue pour le transport de l'unité.

Veuillez réinstaller les tablettes suivant vos besoins personnels de stockage.

## ⚠ AVERTISSEMENT

### Si vous déplacez votre réfrigérateur:

Votre réfrigérateur est lourd. Si vous le déplacez pour effectuer des opérations de nettoyage ou des réparations, assurez-vous de protéger le plancher. Tirez toujours du réfrigérateur tout droit pour le déplacer. N'essayez de déplacer le réfrigérateur en le balançant ni en le faisant faire de petits pas, car le plancher pourrait en résulter endommagé.

## ⚠ AVERTISSEMENT

### Risque d'explosion

Maintenez les matériaux et les gaz inflammables, tels que l'essence, loin du réfrigérateur.

Autrement, vous risquez de provoquer des morts, une explosion ou un incendie.

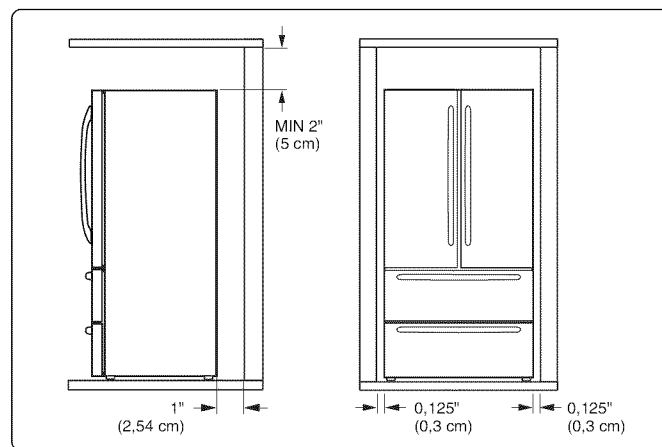
- Pour réduire le risque de choc électrique, ne pas installer le réfrigérateur dans un endroit humide.
- Choisir un emplacement situé à proximité d'une source d'alimentation en eau afin de pouvoir raccorder facilement la machine à glaçons automatique.

**⚠ ATTENTION:** Evitez de ranger l'unité près de sources de chaleur ou à un endroit où elle serait exposée à la lumière directe du soleil ou à l'humidité.

## INSTALLATION

- Pour minimiser les nuisances sonores et les vibrations, le réfrigérateur DOIT être installé sur un plancher de construction solide.
- Il n'est pas recommandé de l'installer sur une moquette ou sur une surface en carreaux souples.
- Ne jamais installer le réfrigérateur sur une plateforme ou une structure ne pouvant pas supporter son poids.

1. Afin d'éviter des vibrations, l'unité doit être nivelée. Réglez les vis de réglage pour compenser les irrégularités du plancher, si besoin. La façade du réfrigérateur doit être légèrement plus haute que la partie arrière afin de rendre plus facile la fermeture de la porte. Vous pouvez facilement faire tourner les vis de réglage en inclinant légèrement le boîtier. Faites tourner les vis de réglage dans le sens des aiguilles d'une montre ( ➡ ) pour rehausser l'unité, et dans le sens contraire des aiguilles d'une montre ( ⬅ ) pour l'abaisser.
2. Installez cet appareil à un endroit où la température reste entre 13°C et 43°C. Si la température de la pièce où se trouve l'appareil est trop froide ou trop chaude, elle pourrait nuire à la capacité de refroidissement du réfrigérateur.
3. Laissez un dégagement d'au moins 2 pouces à partir du haut et de 0,125 pouce des murs latéraux pour une meilleure efficacité de la réfrigération, facilité d'installation, circulation d'air adéquate et pour faciliter les raccordements électriques.



4. Une trop petite distance des articles adjacents peut réduire la capacité de congélation et augmenter les frais de consommation électrique. Laissez au moins 24 pouces (61 cm) devant le réfrigérateur pour ouvrir les portes.

## ENSUITE

1. Nettoyez complètement votre réfrigérateur et enlevez toute la poussière accumulée pendant le transport de l'unité.
2. Installez les accessoires tels que le bac à glace, les tiroirs, les tablettes, etc., à leur place. Ils ont été emballés ensemble afin de prévenir de possibles dommages pendant le transport de l'unité.
3. Faites marcher votre réfrigérateur pendant 2 ou 3 heures minimum avant d'y ranger des aliments. Vérifiez le flux d'air refroidi dans le compartiment du congélateur pour garantir un refroidissement approprié. Votre réfrigérateur est maintenant prêt pour être utilisé.

# INSTALLATION DU RÉFRIGÉRATEUR

**REMARQUE :** Il est TOUJOURS recommandé de retirer les portes lorsqu'il est nécessaire de déplacer le réfrigérateur dans une ouverture étroite. Au besoin, suivez les directives ci-dessous pour retirer les poignées du réfrigérateur.

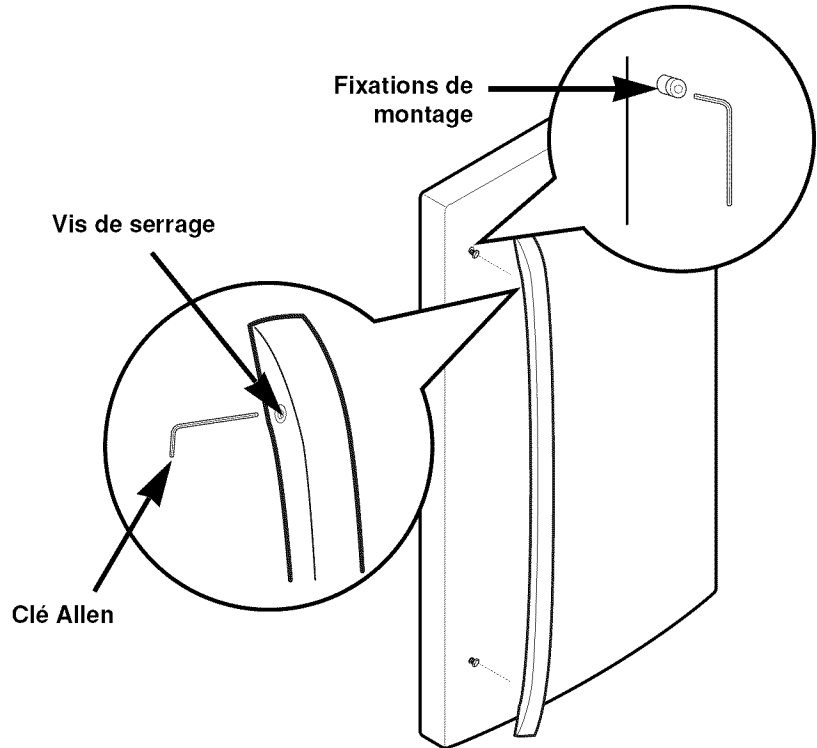
## COMMENT ENLEVER LES POIGNÉES DE LA PORTE / DU TIROIR

**REMARQUE:** L'aspect de la poignée peut varier par rapport aux illustrations dans cette page.

### 1. Enlever la poignée du réfrigérateur

- Desserrez les vis pression avec une clef Allen de 3/32 po (2,5 mm) et retirez la poignée.

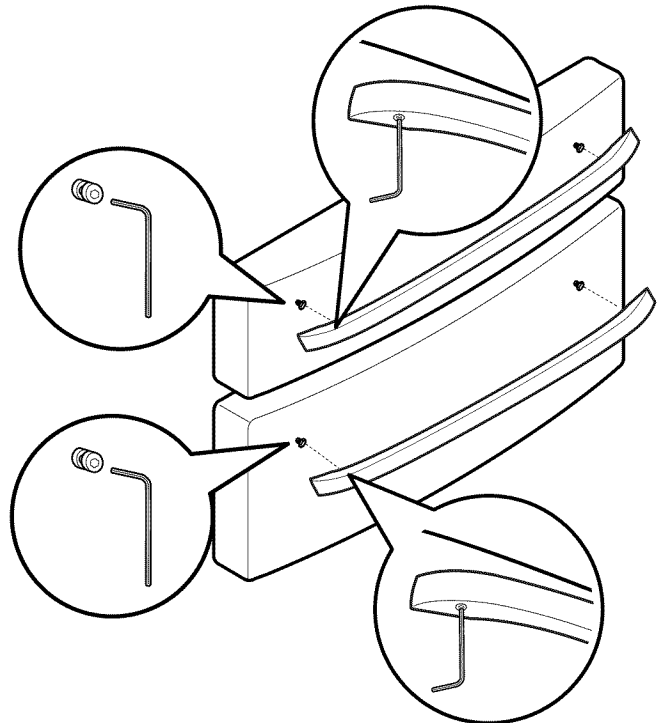
**NOTE:** Si vous devez resserrer ou enlever les fixations de montage de la poignée, utilisez la clé Allen de 1/4 po.



### 2. Enlever la poignée du tiroir du congélateur

- Desserrez les vis pression situées sur la partie inférieure de la poignée avec une clef Allen de 3/32 po (2,5 mm) et retirez la poignée.

**NOTE:** Si vous devez resserrer ou enlever les fixations de montage de la poignée, utilisez la clé Allen de 1/4 po.



# INSTALLATION DU RÉFRIGÉRATEUR

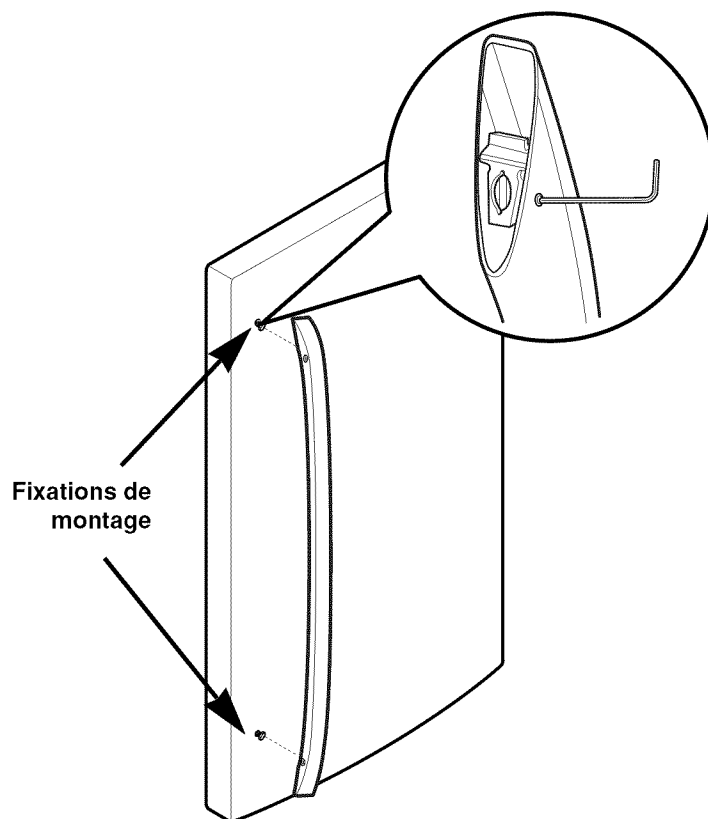
## COMMENT RÉINSTALLER LES POIGNÉES DE LA PORTE / DU TIROIR

**REMARQUE:** L'aspect de la poignée peut varier par rapport aux illustrations dans cette page.

### 1. Réinstaller la poignée de la porte du réfrigérateur

- Placez la poignée sur la porte en ajustant les empreintes de la poignée pour qu'elles correspondent aux fixations de montage et serrez les vis pression avec une clef Allen de 3/32 po (2,5 mm).

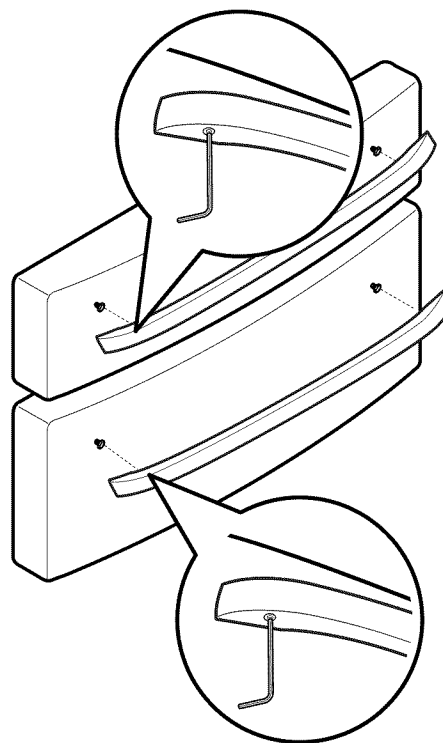
**NOTE:** Si vous devez resserrer ou enlever les fixations de montage de la poignée, utilisez la clé Allen de 1/4 po.



### 2. Réinstaller la poignée du tiroir du congélateur

- Placez la poignée sur la porte en ajustant les empreintes de la poignée pour qu'elles correspondent aux fixations de montage et serrez les vis pression à la base de la poignée avec une clef Allen de 3/32 po (2,5 mm).

**NOTE:** Si vous devez resserrer ou enlever les fixations de montage de la poignée, utilisez la clé Allen de 1/4 po.

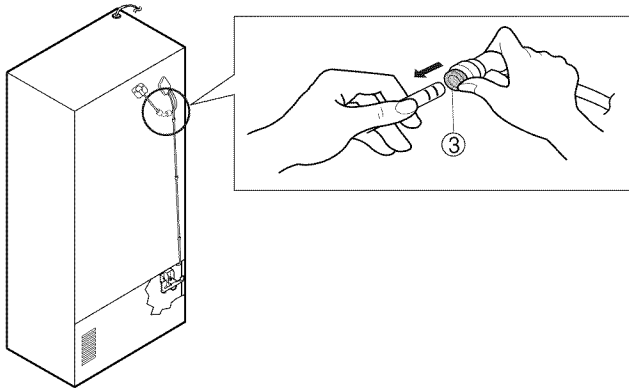


# INSTALLATION DU RÉFRIGÉRATEUR

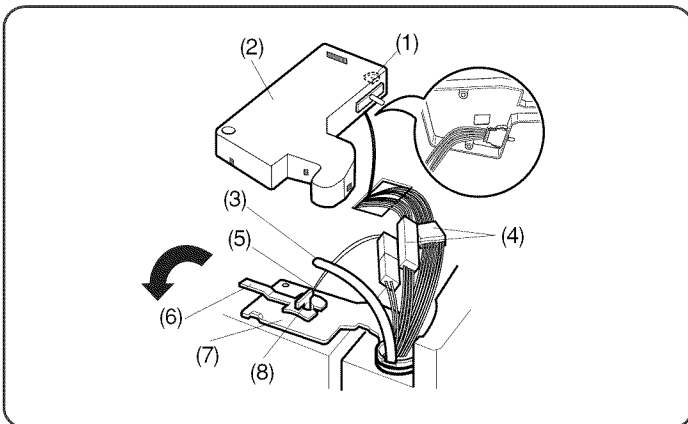
## EXTRACTION ET RÉINSTALLATION DES PORTES DU RÉFRIGÉRATEUR

### Pour enlever la porte gauche du réfrigérateur :

Avant d'essayer de retirer la porte restante, situez le raccordement d'eau à l'arrière du réfrigérateur. Tirez le tube d'eau qui provient du réfrigérateur en enfonçant la bague de desserrage tout en tirant sur la conduite d'eau tel que montré dans l'illustration ci-dessous.



**▲ ATTENTION:** Avant de commencer, ôter les aliments et les balconnets des portes.



1. Ouvrir la porte. Ôter la vis servant à maintenir en place le couvercle de la charnière supérieure (1).
2. Faire levier sur les crochets (non illustrés) en insérant un tournevis à lame plate sous la face avant du couvercle (2). Soulever ce dernier.
3. Enlever le couvercle. Tirer sur le tube (3).
4. Déconnecter tous les faisceaux de câbles (4).
5. Ôter la vis de mise à la terre (5).

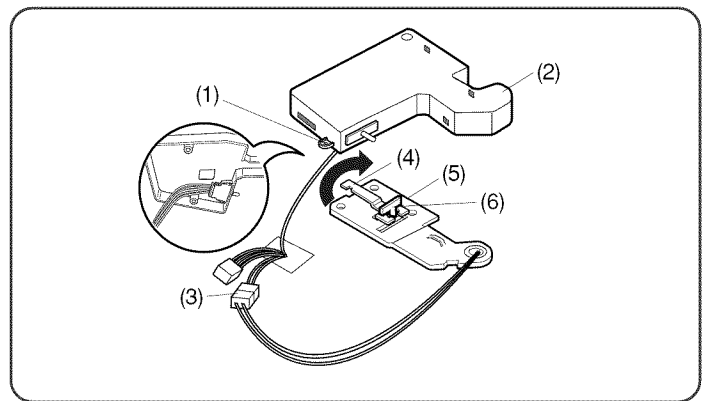
6. Faire pivoter le loquet de la charnière (6) dans le sens inverse des aiguilles d'une montre et l'enlever. Soulever la charnière supérieure (7) pour la dégager du loquet (8) permettant de l'immobiliser.

**▲ ATTENTION:** Au moment de soulever la charnière pour la dégager du loquet, veiller à ce que la porte ne tombe pas vers l'avant.

7. Soulever la porte pour la dégager de la fiche du milieu. Enlever la porte.

8. Placer la porte, face intérieure dirigée vers le haut, sur une surface ne risquant pas de la rayer.

### Pour enlever la porte droite du réfrigérateur :



1. Ouvrir la porte. Ôter la vis servant à maintenir en place le couvercle de la charnière supérieure (1). Soulever le couvercle (2).
2. Ôter le couvercle.
3. Déconnecter le faisceau de câbles (3).
4. Faire pivoter le loquet de la charnière (4) dans le sens des aiguilles d'une montre et l'enlever. Soulever la charnière supérieure (5) pour la dégager du loquet (6) permettant de l'immobiliser.

**▲ ATTENTION:** Au moment de soulever la charnière pour la dégager du loquet, veiller à ce que la porte ne tombe pas vers l'avant.

## ▲ AVERTISSEMENT

### Risque d'électrocution

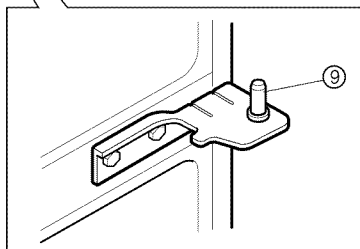
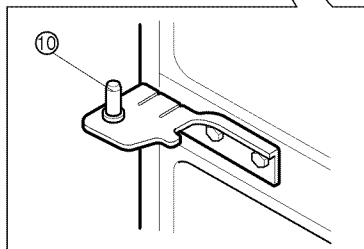
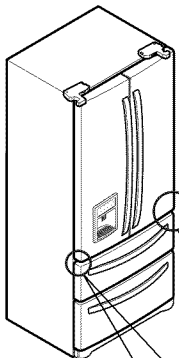
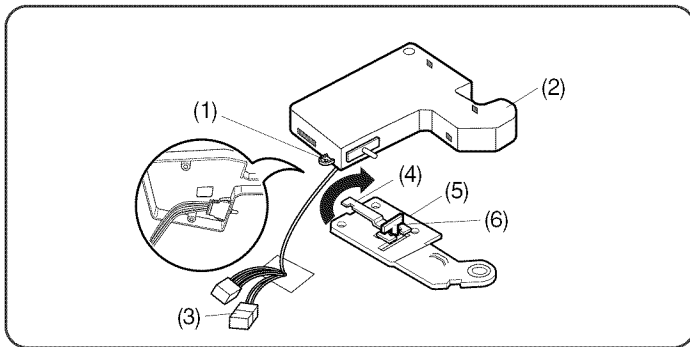
- Déconnecter l'alimentation électrique du réfrigérateur avant d'installer ce dernier. Le non-respect de cette consigne pourrait entraîner un décès ou une blessure grave.
- Ne pas placer les mains, les pieds ou d'autres objets dans les orifices de ventilation, la grille de base ou en bas du réfrigérateur. Vous pourriez être blessé ou recevoir un choc électrique.
- Manipuler la charnière, la grille de la base et la butée avec précaution. Vous pourriez vous blesser.

# INSTALLATION DU RÉFRIGÉRATEUR

## Réinstallation des portes du réfrigérateur

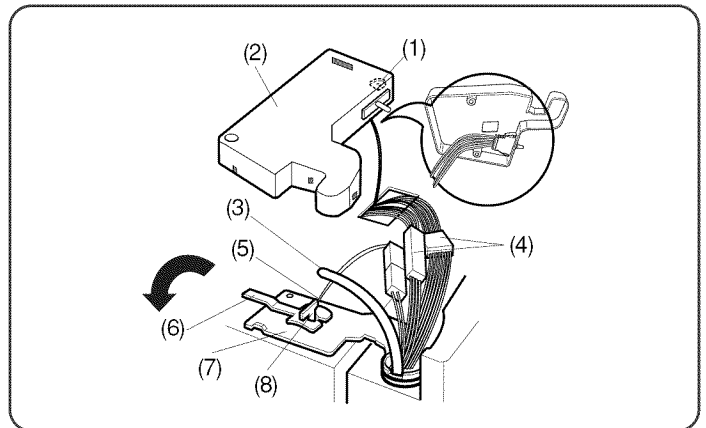
### ► Porte droite

1. Abaissez la porte sur l'axe de la charnière centrale (9).
2. Encastrez la charnière supérieure (6) sur le verrou du levier de la charnière (7) et à sa place. Insérez le levier de la charnière (5) sur le verrou du levier. Faites tourner le levier dans le sens contraire des aiguilles d'une montre pour fixer la charnière.
3. Reconnectez les faisceaux électriques (4).
4. Accrochez la languette sur le couvercle (2), du côté de l'interrupteur de la porte, sous l'extrémité de l'ouverture destinée au câble dans la partie supérieure du boîtier. Rangez le couvercle à sa place. Insérez et serrez la vis du couvercle (1).

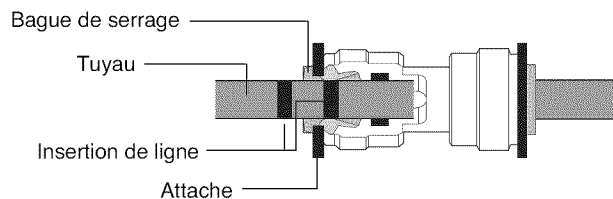


### ► Porte gauche

1. Abaissez la porte sur l'axe de la charnière centrale (10).
2. Encastrez la charnière supérieure (7) sur le verrou du levier de la charnière (8) et à sa place. Insérez le levier de la charnière (6) sur le verrou du levier. Faites tourner le levier dans le sens des aiguilles d'une montre pour fixer la charnière.
3. Installez la vis de terre (5) et connectez le faisceau à trois câbles (4).
4. Poussez le tube d'alimentation en eau dans le trou situé sur le dessus de la carrosserie et le tirer jusqu'à la plaque arrière.
5. Insérez le tuyau d'arrivée d'eau (3) à l'intérieur du tube de raccordement jusqu'à ce que vous voyez la marque d'un cran. (Enfoncez complètement le tube sur 5/8" (15mm)).
6. Accrochez la languette sur le couvercle (2), du côté de l'interrupteur de la porte, sous l'extrémité de l'ouverture destinée au câble dans la partie supérieure du boîtier. Rangez le couvercle à sa place. Insérez et serrez la vis du couvercle (1).



## ⚠ AVERTISSEMENT



Après insertion, tirez sur la conduite pour vous assurer qu'elle est correctement maintenue et montez la pince.

# INSTALLATION DU RÉFRIGÉRATEUR

## COMMENT ENLEVER ET REMETTRE LE TIROIR COULISSANT

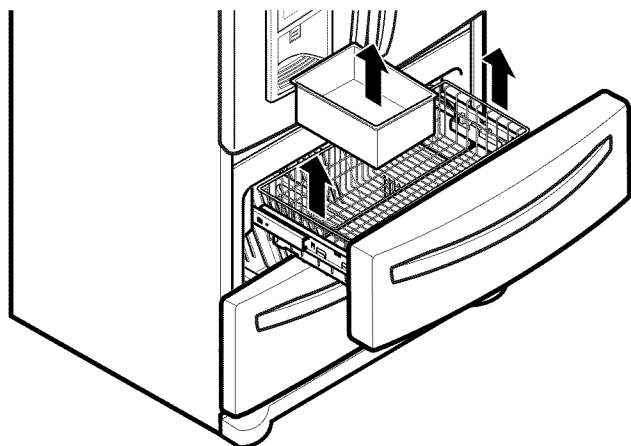
### ▲ ATTENTION

- Afin d'éviter tout risque de blessures ou de dommages au produit ou à la propriété, deux personnes seront nécessaires pour exécuter les instructions suivantes.
- Lorsque vous démontez le tiroir, ne le tenez pas par la poignée. Elle pourrait se casser et provoquer des blessures.
- En déposant le tiroir, veillez à ne pas endommager le plancher ni heurter vos pieds sur les bords coupants du côté charnière.

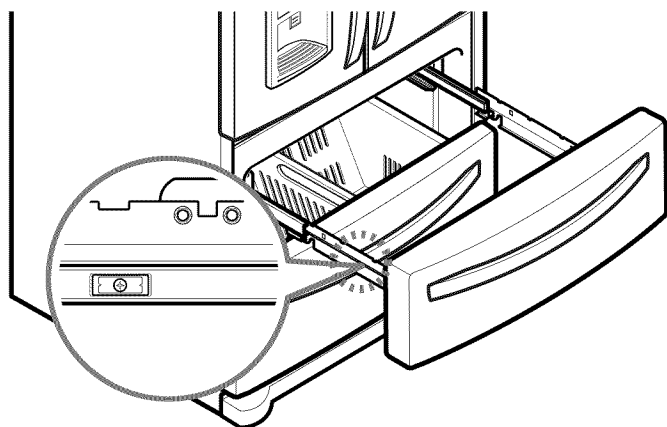
### Retrait du tiroir coulissant

#### ► TIROIR DU HAUT

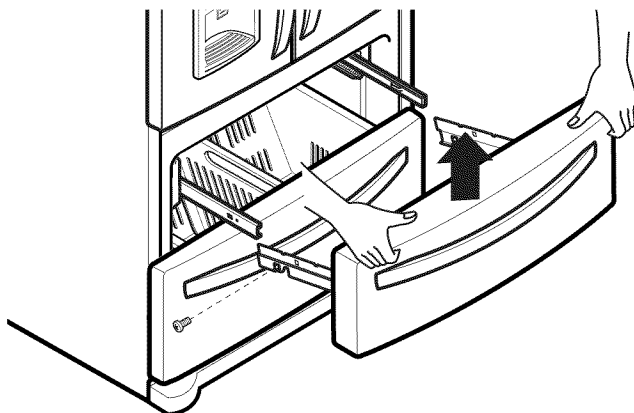
1. Pour retirer le tiroir de congélateur, tirez le tiroir à sa pleine extension. Retirez le bac en fil métallique et le bac à glace en soulevant le panier du système de rail.



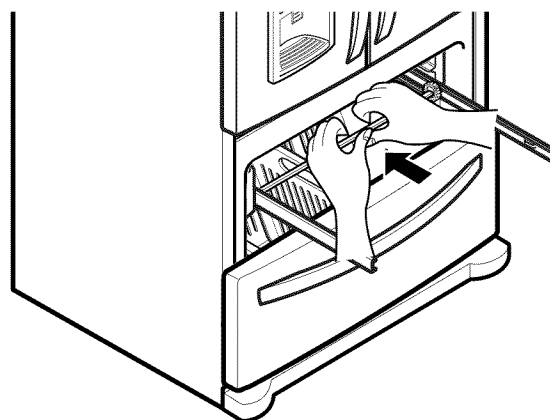
2. Retirez les vis du rail des deux côtés.



3. Avec les deux mains, maintenez les deux côtés de la porte et tirez pour les séparer.



4. Avec les deux mains, tenez la barre centrale et poussez-la vers l'intérieur pour permettre aux deux rails de glisser à l'intérieur simultanément.



# INSTALLATION DU RÉFRIGÉRATEUR

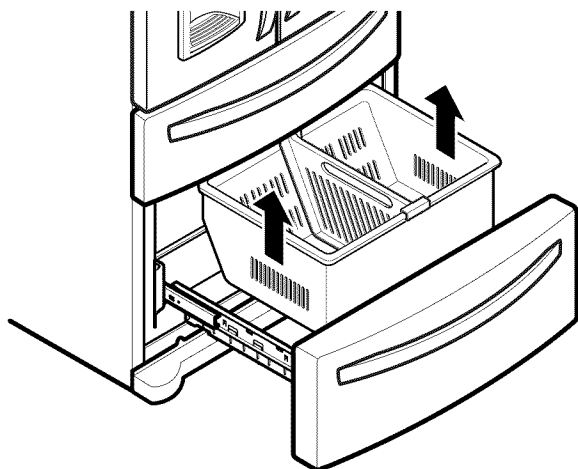
## ⚠ ATTENTION

- Afin d'éviter tout risque de blessures ou de dommages au produit ou à la propriété, deux personnes seront nécessaires pour exécuter les instructions suivantes.
- Lorsque vous démontez le tiroir, ne le tenez pas par la poignée. Elle pourrait se casser et provoquer des blessures.
- En déposant le tiroir, veillez à ne pas endommager le plancher ni heurter vos pieds sur les bords coupants du côté charnière.

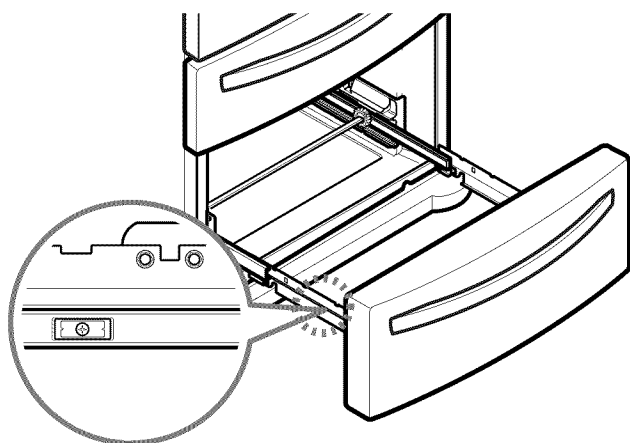
## Retrait du tiroir coulissant

### ► TIROIR DU BAS

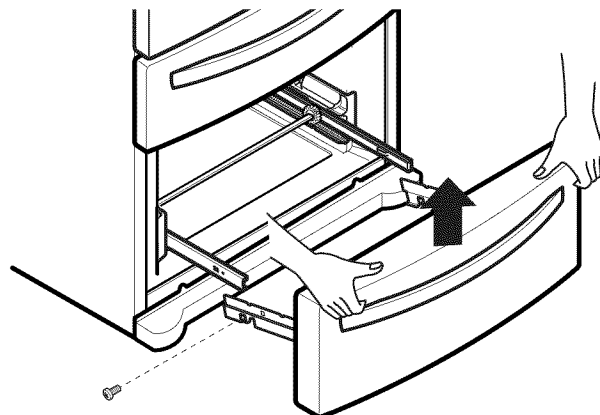
1. Pour enlever le tiroir du congélateur, ouvrez-le jusqu'au bout. Retirez le panier inférieur DuraBase® en le soulevant pour le dégager des rails.



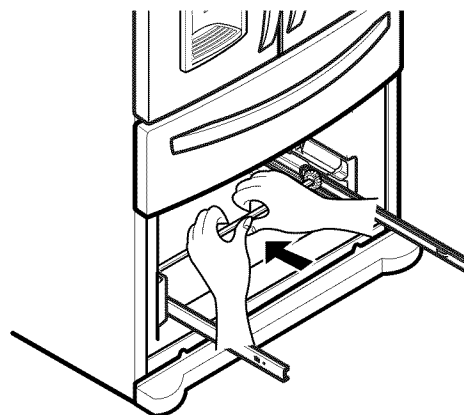
2. Retirez les vis du rail des deux côtés.



3. Avec les deux mains, maintenez les deux côtés de la porte et tirez pour les séparer.

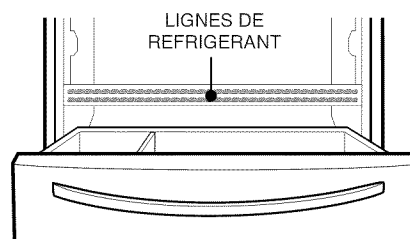


4. Avec les deux mains, tenez la barre centrale et poussez-la vers l'intérieur pour permettre aux deux rails de glisser à l'intérieur simultanément.



## ⚠ ATTENTION

- NE TENTEZ PAS DE RETIRER LA CLOISON SITUÉE ENTRE LES DEUX TIROIRS. UNE BOUCLE DE CHAUFFAGE AU GAZ S'Y TROUVE (LIGNES DE RÉFRIGÉRANT) ET PARCOURT LA CLOISON.
- Le panneau arrière peut être facilement démonté après avoir retiré les supports de porte supérieurs gauche et droit. Le panneau peut être glissé à travers l'ouverture de porte supérieure au-dessus de la cloison.



# INSTALLATION DU RÉFRIGÉRATEUR

## COMMENT ENLEVER ET REMETTRE LE TIROIR COULISSANT

### ⚠ ATTENTION

- Afin d'éviter tout risque de blessures ou de dommages au produit ou à la propriété, deux personnes seront nécessaires pour exécuter les instructions suivantes.

### ⚠ DANGER

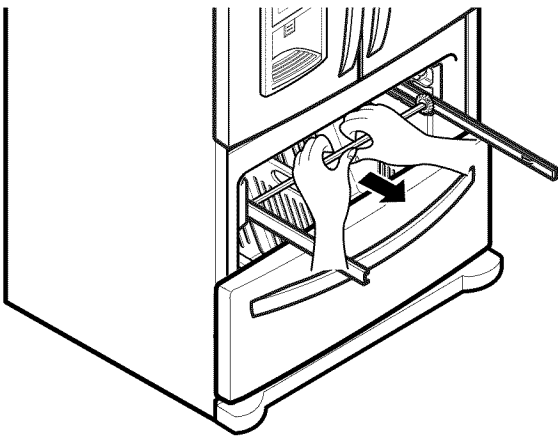
#### Risque de piégeage des enfants

- Pour éviter le piégeage accidentel des enfants ou des animaux domestiques et les risques de suffocation, NE leur permettez PAS de jouer à l'intérieur du tiroir du congélateur.
- ÉVITEZ de mettre le pied ou de vous asseoir sur le tiroir.

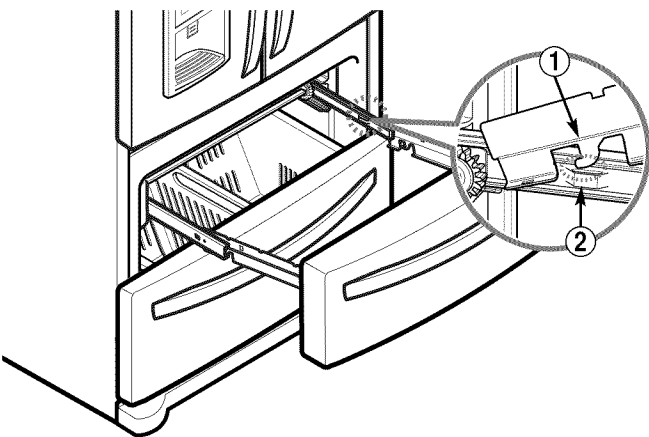
#### Réintroduction du tiroir coulissant

##### ► TIROIR DU HAUT

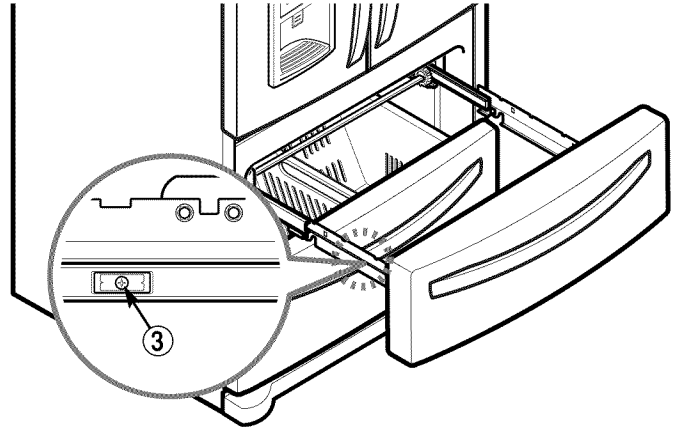
1. Pour remettre le tiroir en place, tenez la barre centrale avec les deux mains et tirez-la jusqu'à la pleine extension des rails.



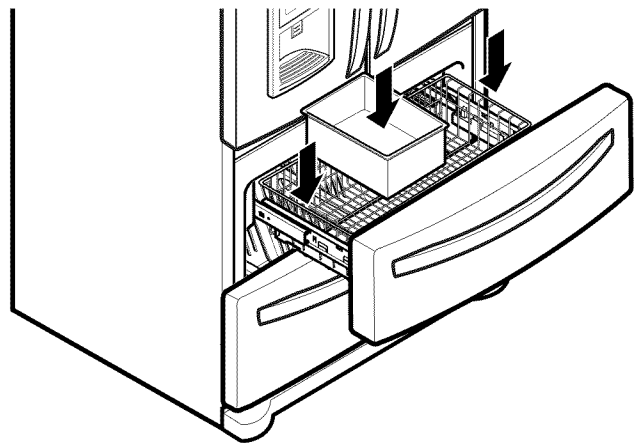
2. Montez le connecteur de la porte (1) sur le bras du rail (2).



3. Vérifiez la forme de gauche et droite du rail du couvercle.



4. Lorsque le tiroir est tiré vers l'extérieur à sa pleine extension, insérez le tiroir et le bac à glace dans le système de rail.



# INSTALLATION DU RÉFRIGÉRATEUR

## ⚠ ATTENTION

- Afin d'éviter tout risque de blessures ou de dommages au produit ou à la propriété, deux personnes seront nécessaires pour exécuter les instructions suivantes.

## ⚠ DANGER

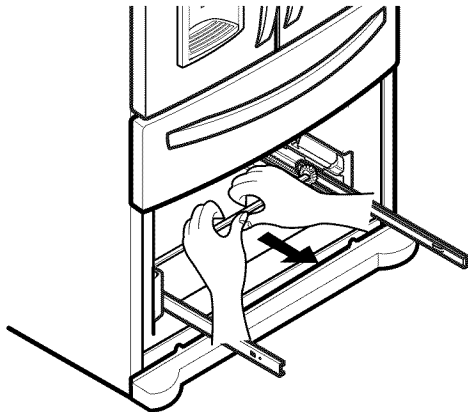
### Risque de piégeage des enfants

- Pour éviter le piégeage accidentel des enfants ou des animaux domestiques et les risques de suffocation, NE leur permettez PAS de jouer à l'intérieur du tiroir du congélateur.
- ÉVITEZ de mettre le pied ou de vous asseoir sur le tiroir.

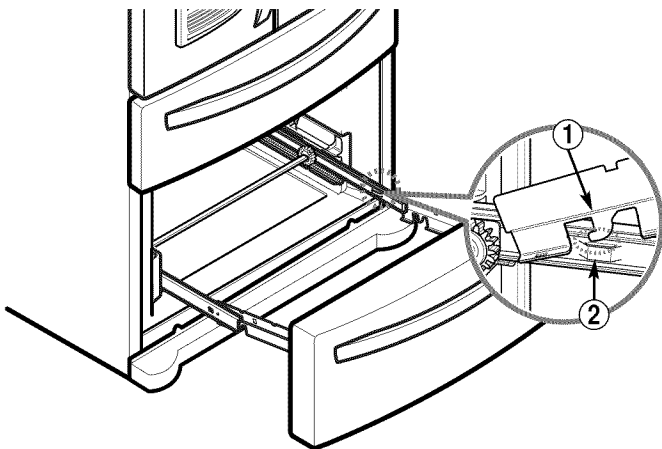
## Réintroduction du tiroir coulissant

### ► TIROIR DU BAS

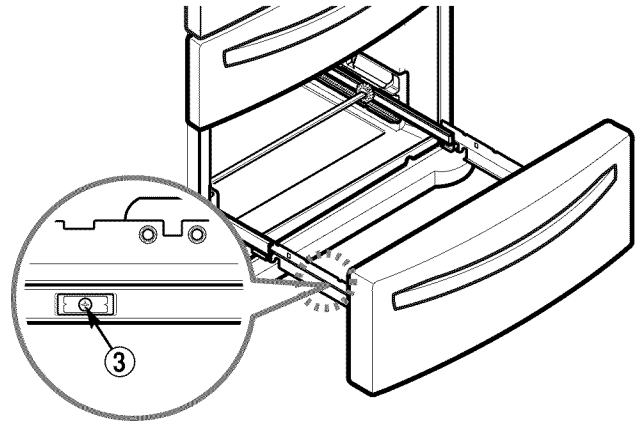
1. Pour remettre le tiroir en place, tenez la barre centrale avec les deux mains et tirez-la jusqu'à la pleine extension des rails.



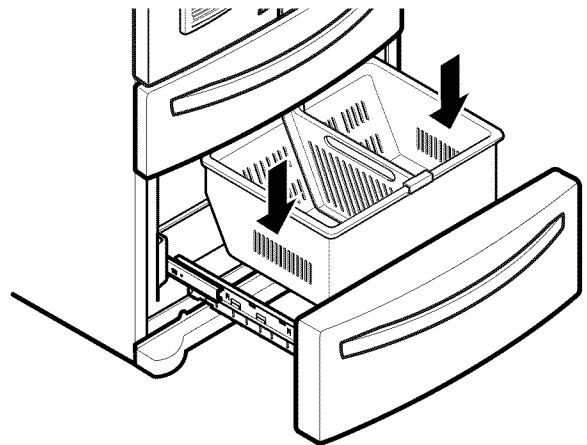
2. Montez le connecteur de la porte (1) sur le bras du rail (2).



3. Vérifiez la forme de gauche et droite du rail du couvercle.



4. Avec le tiroir étendu à son extension totale, insérez le panier inférieur dans le système de guidage jusqu'à ce qu'il ne se déplace pas en avant.



# INSTALLATION DU RÉFRIGÉRATEUR

## NIVELLEMENT ET ALIGNEMENT DE LA PORTE

### Nivellement

Votre réfrigérateur a deux vis de réglage avant – l'une à gauche et l'autre à droite. Si votre réfrigérateur semble instable ou que vous voulez que les portes se ferment plus facilement, réglez l'inclinaison du réfrigérateur en suivant les instructions ci-dessous:

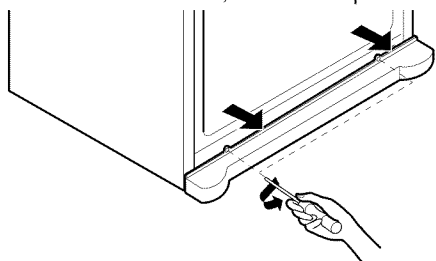
1. Branchez le cordon d'alimentation du réfrigérateur sur une prise à trois fentes avec mise à la terre. Déplacez le réfrigérateur vers sa position finale.

### Pour retirer le couvercle de la base

1. Ouvrez le tiroir du congélateur. (Tiroir non représenté pour davantage de clarté.)
2. Lorsque le tiroir est ouvert, le dégagement est suffisant pour retirer les vis situées au-dessus du couvercle.

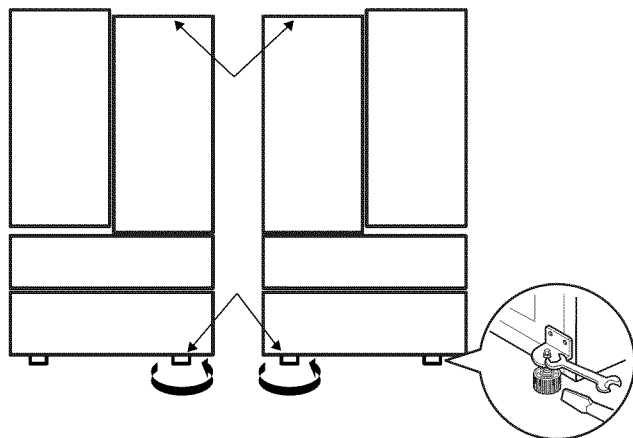
### Pour remplacer le couvercle de la base

- Positionnez le couvercle, insérez-le puis serrez les vis.



2. Faites tourner la vis de réglage dans le sens des aiguilles d'une montre pour rehausser ce côté du réfrigérateur ou dans le sens contraire des aiguilles d'une montre pour le faire descendre. Il peut être nécessaire de faire tourner la vis de réglage plusieurs fois pour régler l'inclinaison du réfrigérateur.

**REMARQUE:** Si vous demandez à quelqu'un de faire pression contre la partie supérieure du réfrigérateur cela diminue le poids sur les vis de réglage, ce qui rend le réglage des vis plus facile.



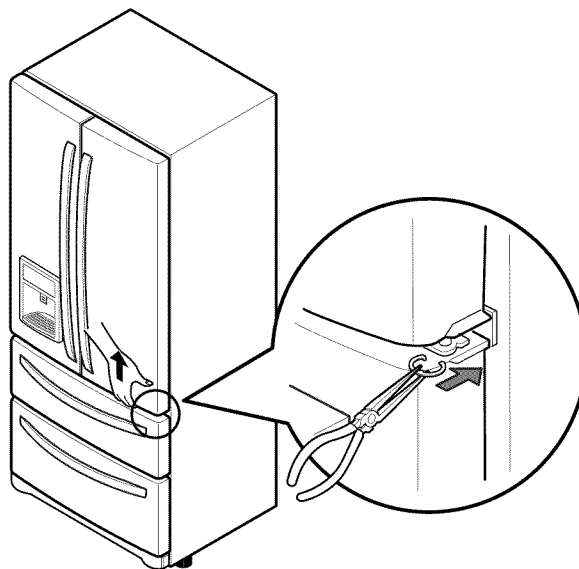
3. Ouvrez encore une fois les deux portes et examinez-les pour vérifier qu'elles se ferment facilement. Autrement, inclinez légèrement le réfrigérateur plus vers l'arrière en faisant tourner les deux vis de réglage dans le sens des aiguilles d'une montre. Il peut être nécessaire de faire tourner la vis de réglage plusieurs fois et vous devez faire tourner les deux vis de réglage le même nombre de fois.
4. Réglez-les de nouveau si besoin.
5. Remplacez le couvercle de la base.

**REMARQUE:** Votre nouveau réfrigérateur est conçu d'une manière unique avec deux portes pour aliments frais. Chaque porte peut être ouverte ou fermée indépendamment de l'autre. Vous aurez peut-être besoin d'exercer une légère pression sur les portes pour les fermer complètement.

### Alignement de la porte

Si l'espace entre les portes est irrégulier, suivez les instructions ci-dessous pour aligner les portes:

1. D'une main, soulevez la porte que vous souhaitez élever au niveau de la charnière du milieu.
2. De l'autre main, utilisez des pinces afin d'insérer l'anneau élastique comme sur l'illustration.
3. Insérer d'autres bagues à ressort jusqu'à ce que les portes soient alignées. (Trois bagues à ressort sont fournies avec le Guide d'utilisation et d'entretien du réfrigérateur).



Mettez le réfrigérateur à niveau en utilisant une clé de 8 mm (11/32 po) ou un tournevis à lame plate. Tournez les pieds de mise à niveau (Counter-Clockwise) dans le sens inverse des aiguilles d'une montre pour élever - ou (Clockwise) dans le sens des aiguilles d'une montre pour abaisser - la partie avant du réfrigérateur.

**REMARQUE :** La partie avant du réfrigérateur devrait être légèrement plus élevée que la partie arrière.

# UTILISATION DE VOTRE RÉFRIGÉRATEUR

## RÉGLAGE DES COMMANDES

### Température

- Votre réfrigérateur est pourvu d'un dispositif de commande situé sur le distributeur, vous permettant de régler la température dans les compartiments du congélateur et du réfrigérateur.
- Initialement, réglez la commande du réfrigérateur sur 37°F (3°C) et celle du congélateur sur 0°F (-18°C). Ne modifiez pas ces réglages pendant 24 heures (une journée) pour permettre au système de se stabiliser. Réglez alors la température des compartiments à votre gré.



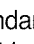
### • Contrôle de la température du réfrigérateur : de 33°F à 46°F (de 0°C à 8°C)

Plus le numéro est bas, plus la température du compartiment du réfrigérateur est basse.

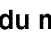
### • Contrôle de la température du congélateur : de -6°F à 8°F (de -21°C à -13°C)

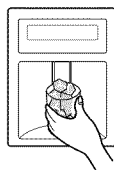
Plus le numéro est bas, plus la température du compartiment du congélateur est basse. La température du réfrigérateur remonte, le flux d'air étant diminué dans le réfrigérateur.

### Ultralce

- Lorsque vous appuyez sur la touche Ultralce, le dessin [  ] s'allume et reste allumé dans l'afficheur pendant 24 heures. Il s'éteint automatiquement une fois ces 24 heures passées. Ou bien, vous pouvez annuler cette fonction en appuyant de nouveau sur la touche Ultralce.
- Cette fonction augmente aussi bien la capacité de production de glace que celle de congélation.

### Distributeur

- Veuillez sélectionner water [eau], crushed ice [glaçons écrasés] ou cubed ice [glaçons en cube] en appuyant sur la touche  en fonction de votre choix.
- Il peut y avoir quelques égouttements après la distribution. Il est recommandé de garder votre tasse pendant quelques secondes après distribution.



**⚠ ATTENTION:** Éliminez l'humidité avant d'utiliser la touche d'affichage car le fonctionnement de la touche est basé sur le procédé d'activation par pression, et si la surface de la touche est affectée par l'humidité, ceci peut ralentir l'activation de la touche ou bien activer une touche autre que celle désirée.

**⚠ AVERTISSEMENT:** Si vous ouvrez la porte, le distributeur d'eau ne fonctionnera pas.

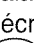
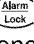
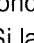


### Filtre

- **Changement du filtre :** si le signal de FILTER RESET s'allume, vous devez changer le filtre à eau. Appuyez durant 3 secondes sur la touche FILTER RESET pour éteindre le signal. Le changement du filtre à eau doit s'effectuer environ tous les 6 mois.

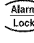
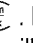

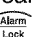
### Lumière / Capteur de lumière

- Si la lumière est réglée en mode "automatique", la lumière du distributeur s'allumera ou s'éteindra automatiquement selon la luminosité de la pièce, détectée par le capteur de lumière.



### Alarme

- Lorsque le réfrigérateur est branché à l'alimentation, l'alarme de la porte est réglée initialement à Off (Arrêt) et l'écran de l'alarme de la porte affiche . Lorsque la touche  est enfoncée, l'affichage changera pour  et la fonction d'alarme de la porte est maintenant activée.
- Si la porte du réfrigérateur ou celle du congélateur sont laissées ouvertes pendant plus de 60 secondes, le signal d'alarme se déclenche pour indiquer qu'il y a une porte ouverte.
- Lorsque vous refermez la porte, l'alarme de la porte s'arrête.
- Si vous souhaitez désactiver la fonction d'alarme de la porte, appuyez sur la touche  ;  s'affichera à l'écran.

### Verrouillage

- Lorsque le réfrigérateur est mis sous tension pour la première fois, la fonction de verrouillage est réglée sur OFF [désactivée].
- Si vous souhaitez activer la fonction de verrouillage pour bloquer d'autres touches, appuyez sans relâcher pendant 3 secondes ou plus sur la touche . L'indicateur  s'affiche pour indiquer que la fonction de verrouillage est activée.
- Lorsque la fonction de verrouillage est activée, aucune touche, y comprise celle du distributeur, ne fonctionnera, à l'exception de la touche .
- Pour désactiver la fonction de verrouillage, appuyez sans relâcher pendant 3 secondes ou plus sur la touche .

### Fonction de commutation du mode d'affichage de la température (°F <-> °C)

- Si vous souhaitez convertir les degrés Fahrenheit en degrés Celsius ou vice versa, appuyez simultanément et sans relâcher pendant 5 secondes ou plus sur les touches  et .

## POUR GARANTIR UNE CIRCULATION DE L'AIR APPROPRIÉE

Veillez à ce qu'aucun objet ou aliment ne bloque les canaux d'air ; en effet, la circulation de l'air empêche la perte de nourriture due à un manque d'air de refroidissement.

# UTILISATION DE VOTRE RÉFRIGÉRATEUR

## RÉCIPIENT D'ACCUMULATION DE GLACE

### ▲ MISES EN GARDE

- Gardez les mains et les outils à l'écart de la porte du récipient d'accumulation de glace et de la chute du distributeur. Vous pourriez endommager du matériel ou vous blesser.

La machine à glaçons cessera de produire de la glace lorsque le bac est plein. S'il vous faut plus de glace, videz le récipient d'accumulation de glace dans le bac à glace supplémentaire du congélateur pour que la machine poursuive sa production.

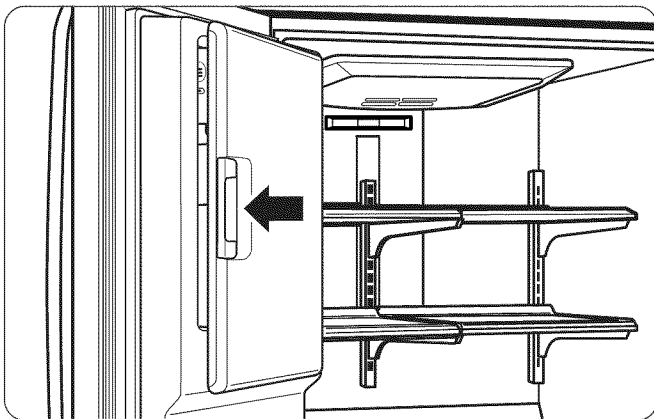
Secouez à l'occasion le récipient d'accumulation de glace pour égaliser son contenu. Il arrive que la glace s'empile à proximité de la machine à glaçons qui arrêtera alors sa production en interprétant que le bac est plein.

**REMARQUE :** Le fait de ranger des cannettes ou d'autres articles dans le récipient d'accumulation de glace risque d'endommager la machine à glaçons.

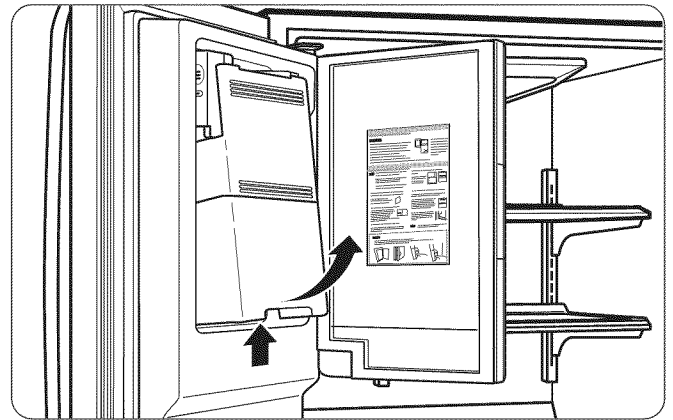
Gardez la porte du récipient d'accumulation bien fermée. Sinon, l'air froid du bac gèlera les aliments du compartiment réfrigérateur. La machine à glaçons risque également d'interrompre sa production.

**REMARQUE :** Si l'interrupteur On/Off (Marche/Arrêt) sur la machine à glaçons est réglé à Off (Arrêt) pour une longue période, le compartiment à glace se réchauffera graduellement jusqu'à atteindre la température du compartiment réfrigérateur. Pour prévenir la fonte des glaçons et la fuite du distributeur, videz TOUJOURS le bac à glace lorsque la machine à glaçons est réglée à Off (Arrêt) pendant plus de quelques heures.

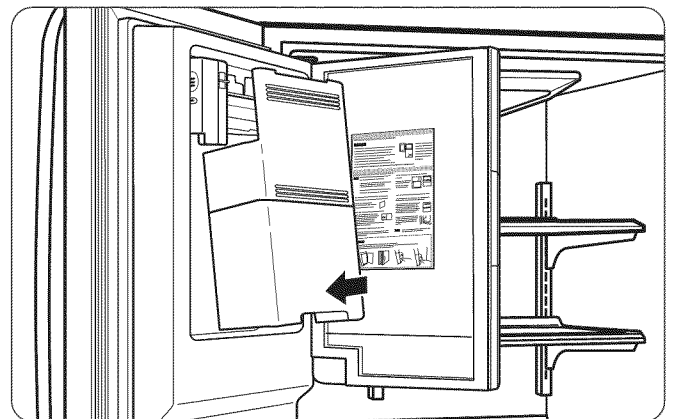
1. Poussez sur le loquet fermement à l'endroit indiqué pour fermer la porte du récipient d'accumulation de glace; un cliquètement se fera entendre lorsque la fermeture sera complète.



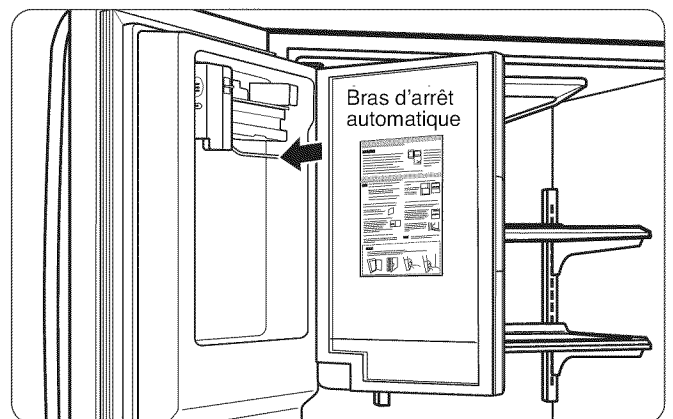
2. Pour retirer le récipient d'accumulation de glace, saisissez la poignée frontale, soulevez légèrement la partie inférieure, puis tirez lentement sur le bac pour le dégager, comme illustré.



3. Pour remettre le bac en place, penchez-le légèrement pour éviter le contact avec la machine à glaçons.



4. Évitez de toucher au bras d'arrêt automatique lors de la remise en place du bac. Lisez l'étiquette sur la porte du bac pour les détails.



# UTILISATION DE VOTRE RÉFRIGÉRATEUR

## RÉGLAGE DE LA CONFIGURATION DES COMMANDES

Laissez le réfrigérateur refroidir complètement avant de terminer les réglages. Il est préférable d'attendre 24 heures. Les réglages initiaux indiqués dans la partie REGLER LES CONSIGNES doivent être corrects pour un fonctionnement domestique normal du réfrigérateur. Les consignes sont correctement réglées lorsque le lait ou les jus de fruits sont à la température qui vous convient, et lorsque la glace est à l'état solide.

La commande du réfrigérateur fonctionne comme un thermostat pour l'appareil tout entier (compartiments réfrigérateur et congélateur). Plus haut est le numéro auquel cette commande est réglée, plus longtemps marchera le compresseur pour maintenir la température plus froide. La commande du congélateur règle le flux d'air refroidi du congélateur au réfrigérateur. Régler la commande du congélateur à une température plus froide maintient plus frais l'air dans le compartiment du congélateur pour le refroidir encore plus.

Si vous avez besoin de régler les températures dans le réfrigérateur ou le congélateur, commencez par régler celle du réfrigérateur. Ensuite, attendez 24 heures avant de vérifier la température dans le congélateur. Si elle est trop chaude ou trop froide, réglez alors la commande du congélateur.

Utilisez les configurations listées dans le tableau ci-dessous comme un guide.

**Rappelez-vous toujours d'attendre au moins 24 heures entre deux réglages.**

CONDITION/ CAUSE:	RÉGLAGE RECOMMANDÉ:
■ RÉFRIGÉRATEUR trop chaud. – Ouverture fréquente de la porte. – Grande quantité d'aliments ajoutée. – Température ambiante trop chaude.	Régler la consigne du réfrigérateur un degré °C ou deux degrés °F plus bas, attendez 24 heures, puis contrôlez à nouveau.
■ CONGÉLATEUR trop chaud / production de glace insuffisamment rapide. – Ouverture fréquente de la porte. – Grande quantité d'aliments ajoutée. – Si la température de la pièce est trop basse, le compresseur ne se met pas suffisamment en marche. – Utilisation intense de glace. – Grilles d'aération obstruées par des éléments.	Régler la consigne du congélateur un degré °C ou deux degrés °F plus bas, attendez 24 heures, puis contrôlez à nouveau.  Déplacez les éléments hors du courant d'air.
■ RÉFRIGÉRATEUR trop froid. – Commandes incorrectement réglées pour les conditions de fonctionnement actuelles.	Régler la consigne du réfrigérateur d'un degré °C ou de deux degrés °F plus élevés, attendez 24 heures, puis contrôlez à nouveau.
■ CONGÉLATEUR trop froid. – Commandes incorrectement réglées pour les conditions de fonctionnement actuelles.	Régler la consigne du congélateur d'un degré °C ou de deux degrés °F plus élevés, attendez 24 heures, puis contrôlez à nouveau.

## GUIDE POUR LE STOCKAGE D'ALIMENTS

Pour ranger les aliments dans le réfrigérateur, enveloppez-les ou rangez-les dans des récipients étanches et imperméables à l'air, sauf indication contraire. Ceci évite le transfert de l'odeur et du goût des aliments à travers le réfrigérateur. Pour les produits datés, vérifiez le code de la date pour garantir leur fraîcheur.

Élément	Comment faire
Beurre ou margarine	► Maintenez le beurre ouvert dans un récipient ou un compartiment fermé. Si vous rangez un stock de réserve, enveloppez-le dans un emballage pour congélation et congelez-le.
Fromage	► Stockez-le dans son emballage original jusqu'à son utilisation. Après l'avoir ouvert, enveloppez-le de nouveau hermétiquement dans une pellicule plastique ou du papier aluminium.
Lait	► Nettoyez les cartons à lait. Pour un meilleur stockage, rangez le lait sur une tablette intérieure, non pas sur une tablette de porte.
Oeufs	► Rangez les oeufs dans leur emballage d'origine ou dans la Boîte à oeufs de l'étagère intérieure, pas dans l'étagère de la porte.
Fruits	► Lavez-les, laissez-les sécher et rangez-les dans des sacs de plastique ou dans le bac à légumes à l'intérieur du réfrigérateur. Ne lavez ni n'épluchez le raisin jusqu'à ce vous soyez prêt à l'utiliser. Rangez et conservez le raisin dans leur récipient original dans un bac à légumes, ou rangez-le dans un sac en papier partiellement fermé sur une tablette du réfrigérateur.
Légumes-feuille	► Enlevez l'emballage employé pour leur stockage et coupez légèrement ou jetez les zones meurtries et décolorées. Lavez-les avec de l'eau froide et égouttez-les. Placez-les dans des sacs en plastique ou des conteneurs en plastique et rangez-les dans le bac à légumes.
Légumes avec peau (carottes, poivrons)	► Placez-les dans des sacs en plastique ou dans des récipients en plastique et rangez-les dans le bac à légumes.
Poisson	► Utilisez le poisson frais et les crustacés et mollusques le même jour où vous les avez achetés.
Restes	► Couvrez les restes avec du film plastique ou du papier aluminium. Vous pouvez également utiliser des récipients en plastique munis de couvercles hermétiques.

# UTILISATION DE VOTRE RÉFRIGÉRATEUR

## STOCKAGE D'ALIMENTS CONGELÉS

**REMARQUE:** Pour tout renseignement supplémentaire concernant la préparation d'aliments pour sa congélation ou les temps de stockage des aliments, vérifiez le mode d'emploi du congélateur ou un livre de cuisine fiable.

### Emballage

Une congélation réussie dépend d'un emballage correct. Si vous fermez et scellez l'emballage, il ne doit pas permettre l'entrée ou la sortie d'air ou d'humidité. Si cela arrive, il pourrait y avoir un transfert de l'odeur et du goût des aliments à travers le réfrigérateur ainsi qu'une déshumidification des aliments congelés.

### Emballages recommandés:

- Des contenants en plastique rigide avec couvercles hermétiques;
- des boîtes/récipients pour congélation cylindriques;
- des feuilles d'aluminium très résistantes;
- du papier plastifié;
- de la pellicule plastique imperméable;
- des sacs de plastique refermables spécifiés pour congélation.

Suivez les instructions figurant sur l'emballage ou le récipient pour appliquer des méthodes de congélation appropriées.

### N'employez pas de:

- sacs de pain;
- contenants de plastiques non fabriqués en polyéthylène;
- contenants n'ayant pas de couvercles hermétiques;
- papier ciré ou papier paraffiné pour congélation;
- film plastique mince, semi-perméable.

**⚠ ATTENTION:** Ne gardez pas de boîtes de boisson ou de récipients d'aliments de plastique dans le compartiment de congélateur. Ils peuvent être coupure s'ils gèlent.

### Congélation

Votre congélateur ne congèlera pas rapidement une grande quantité d'aliments. Ne rangez pas plus d'aliments décongelés dans le congélateur que la quantité qu'il peut congeler dans 24 heures (pas plus de 2 à 3 livres d'aliments par pied cube d'espace dans le congélateur). Laissez suffisamment d'espace dans le congélateur pour que l'air circule autour des emballages. Veillez à laisser suffisamment d'espace devant l'unité de telle façon que la porte ferme hermétiquement.

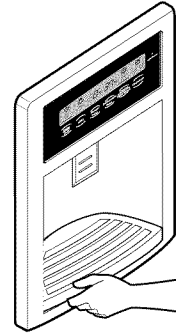
Les temps de stockage varieront en fonction de la qualité et du type d'aliment, du type d'emballage ou de couverture utilisé (imperméable à l'air et étanche) ainsi que de la température de stockage. La présence de cristaux de glace à l'intérieur d'un emballage scellé est normale. Ceci signifie tout simplement que l'humidité dans les aliments et l'air à l'intérieur de l'emballage s'est condensée, formant ainsi des cristaux de glace.

**REMARQUE:** Laissez les aliments chauds refroidir à la température ambiante pendant 30 minutes, puis emballez-les et congelez-les. Faire refroidir les aliments chauds avant de les congeler économise de l'énergie.

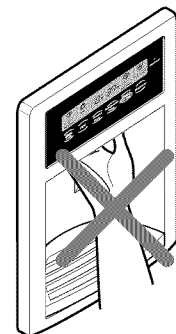
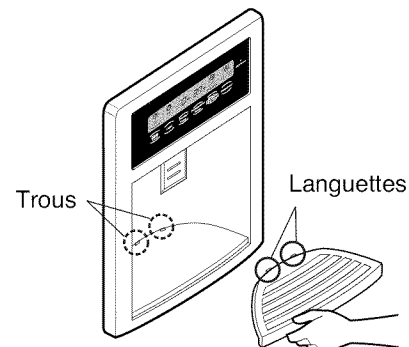
## COMPARTIMENT RÉFRIGÉRATEUR

### DISTRIBUTEUR DE L'EAU

Le plateau peut être retiré facilement en appuyant dessus puis en la tirant vers l'extérieur.



Inclinez légèrement l'avant du plateau et insérez les onglets dans les orifices pour réinstaller le plateau.



**⚠ AVERTISSEMENT:** N'insérez pas vos doigts dans le distributeur, à l'endroit de la chute des glaçons. Vous pourriez sérieusement vous blesser.

**⚠ ATTENTION:** Ne pas mettre la glace dans une tasse en cristal fin ou en porcelaine. La tasse et la porcelaine peuvent casser.

# UTILISATION DE VOTRE RÉFRIGÉRATEUR

## LES TABLETTES DU RÉFRIGÉRATEUR

Les tablettes de votre réfrigérateur sont réglables pour s'adapter à vos besoins de stockage. Votre modèle peut avoir de tablettes de verre ou de clayettes métalliques.

Si vous stockez des produits alimentaires similaires dans le même compartiment de votre réfrigérateur et si vous réglez les tablettes selon les différentes hauteurs des produits, vous pourrez trouver le produit voulu plus facilement. Cela contribuera aussi à réduire la quantité de temps que la porte du réfrigérateur restera ouverte, ce qui vous permettra de faire des économies d'énergie.

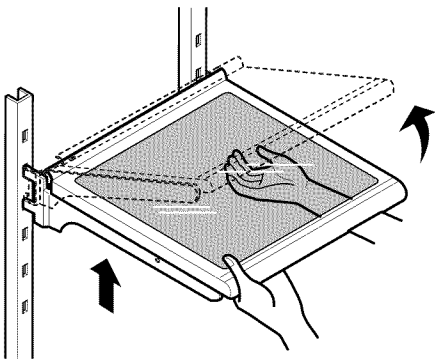
**IMPORTANT:** Ne nettoyez pas les tablettes de verre avec de l'eau chaude lorsqu'elles sont froides. Les tablettes pourraient se briser si elles sont soumises à des changements de température brusques ou des impacts, tels que des coups. Pour votre sécurité, les tablettes de verre sont fabriquées en verre trempé, lequel se brisera, le cas échéant, dans de très petits morceaux.

**REMARQUE:** Les tablettes de verre sont lourdes. Si vous les enlevez, ayez beaucoup de soin de ne pas les laisser tomber.

### Réglage des tablettes

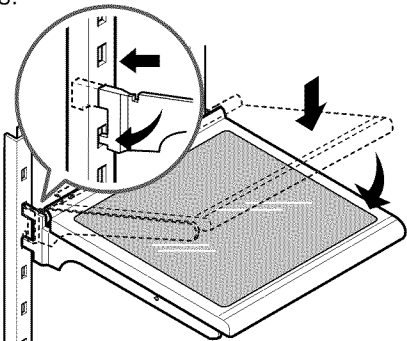
Enlevez les tablettes de leur position originelle et replacez-les selon votre préférence.

- **Pour enlever une tablette**—Soulevez l'avant de la clayette. Soulevez ensuite l'arrière et tirez pour la sortir.

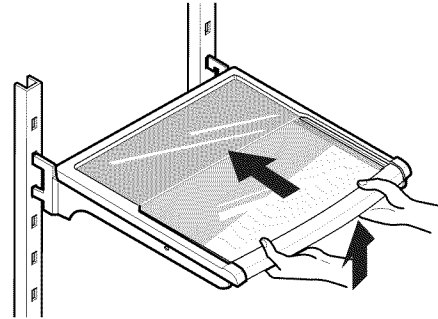


- **Pour replacer une tablette**—Inclinez le front de la tablette et insérez les crochets de la tablette dans les rainures à la hauteur désirée.

Puis, abaissez le front de la tablette pour que les crochets s'insèrent complètement dans les rainures respectives.



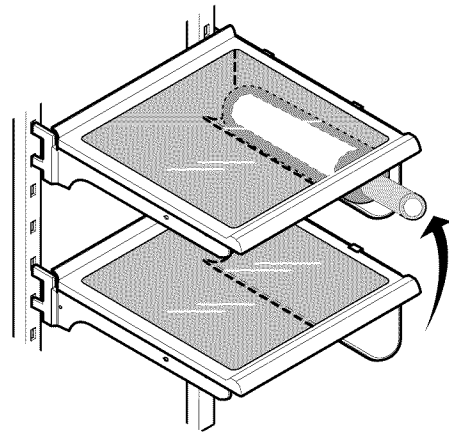
- **Tablette pliante**—Vous pouvez ranger des articles plus petits tel qu'un conteneur de bouteilles en poussant sur la moitié avant de la tablette en-dessous de la moitié arrière de la tablette. Tirer vers vous pour la rétablir complètement.



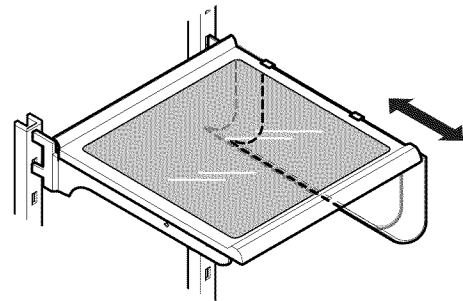
## PORTE-BOUTEILLES

(Seulement 795.7878\* Modèle)

Avec ce porte-bouteilles, vous pouvez stocker les bouteilles horizontalement. Ce dispositif peut être ajouté à n'importe quelle tablette.







Le porte-bouteilles peut être installé sur le bord de la tablette choisie et être enlevé en le poussant vers l'extérieur.

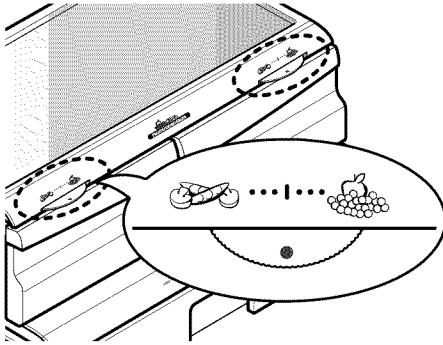


# UTILISATION DE VOTRE RÉFRIGÉRATEUR

## CONTRÔLE D'HUMIDITÉ DES BACS À LÉGUMES

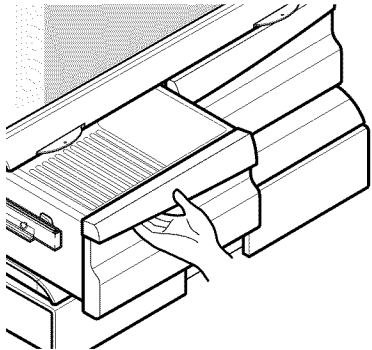
Vous pouvez contrôler le pourcentage d'humidité dans les bacs à légumes fraîcheur. Le stockage des légumes et des fruits exige plus ou moins d'humidité dans chaque bac à légumes. Réglez le contrôle entre  et .

-  Garde l'air humide dans le bac à légumes pour un meilleur stockage des légumes frais et feuillu.
-  Enlève l'air humide du bac à légumes pour un meilleur stockage des fruits.



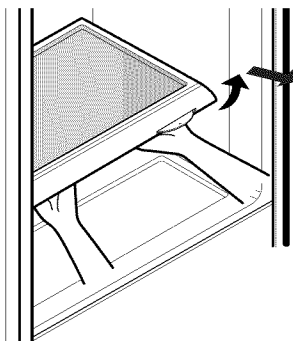
## ENLEVEMENT DES BACS A LEGUMES

1. Pour l'enlever, ouvrez complètement le tiroir.
2. Levez le front du bac à légumes et retirez-le.
3. Pour le replacer, inclinez à peine le front du bac à légumes, introduisez le tiroir dans le cadre et poussez-le jusqu'à la position originelle.



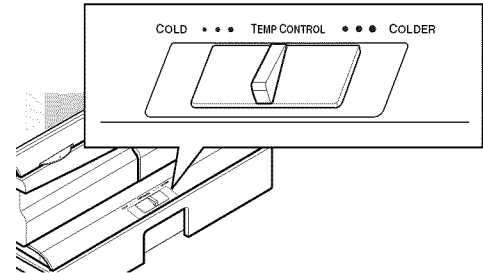
### Pour enlever le verre:

1. Insérez un doigt dans le trou qui se trouve au-dessous du couvercle du bac à légumes, puis soulevez le verre.
2. Tirez du verre en dehors vers le haut.



## GLIDE'N'SERVE (GLISSEZ ET SERVEZ)

Le **Glide'N'Serve** fournit un espace de stockage avec un contrôle de température variable qui permet de disposer d'un compartiment plus froid que le reste du réfrigérateur. Ce tiroir peut être utilisé pour les grands plateaux, la charcuterie ou les boissons. (mais ce tiroir n'est pas convenable pour les légumes.)



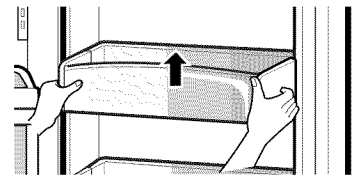
### Commandes

La commande permet de réguler la température d'air dans le tiroir. Réglez la commande sur **COLD** (imprimé sur la surface) pour obtenir une température normale, identique au réfrigérateur. Réglez sur **COLDER** (imprimé sur la surface) pour les viandes et autre charcuterie.

**REMARQUE:** L'air refroidi orienté vers le **Glide'N'Serve** (Glissez et servez) peut faire diminuer la température du réfrigérateur. Il pourrait alors être nécessaire de régler la commande du réfrigérateur.

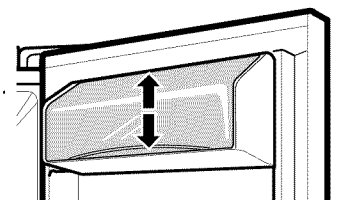
## MODULAR DOOR BIN [CASIERS MODULAIRES DE PORTE]

Les balconnets sont amovibles pour faciliter le nettoyage et l'ajustement. Soulevez simplement le balconnet et tirez-le en ligne droite pour l'enlever. Pour le replacer, glissez-le au-dessus du bouton de support voulu, puis poussez-le vers le bas jusqu'à ce qu'il s'immobilise.



## COMPARTIMENT À PRODUITS LAITIERS

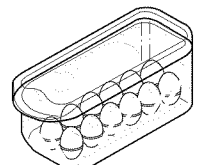
Pour enlever le balconnet des produits laitiers, vous n'avez qu'à le soulever et le tirer en ligne droite. Pour le replacer, glissez-le en place et poussez par en bas jusqu'à ce qu'il s'immobilise.



**REMARQUE :** Le balconnet des produits laitiers ne peut se placer que dans la zone supérieure de la contre-porte de droite.

## PORTE-OEUFs

Rangez les oeufs dans la Boîte à oeufs de l'étagère intérieure, pas dans l'étagère de la porte.



**▲ ATTENTION:** N'utilisez pas la boîte à oeufs pour conserver de la glace dans le compartiment du congélateur. La boîte à oeufs risque de se briser facilement en cas de congélation.

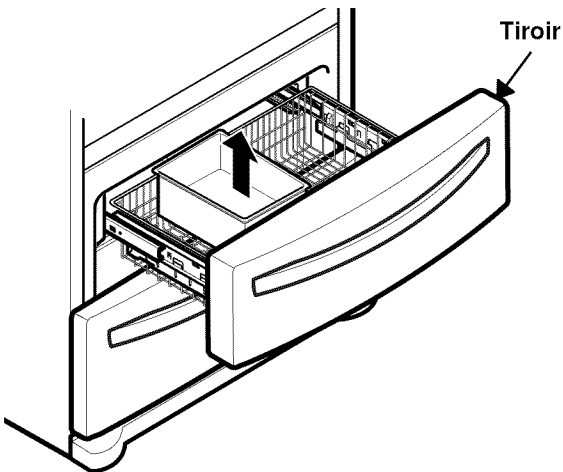
# UTILISATION DE VOTRE RÉFRIGÉRATEUR

## COMPARTIMENT CONGÉLATEUR

### BAC A GLACE SUPPLEMENTAIRE

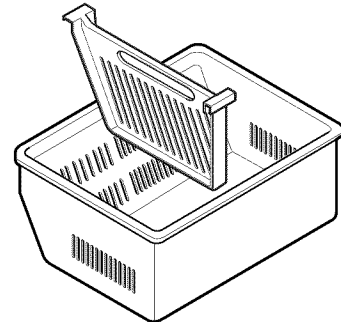
Pour retirer le bac à glace, tirez le tiroir à son extension complète vers l'extérieur. Soulevez et tirez délicatement le bac à glace vers l'extérieur.

Pour réinstaller, réglez simplement le bac à glace à sa position appropriée.



## CLOISON DU DURABASE

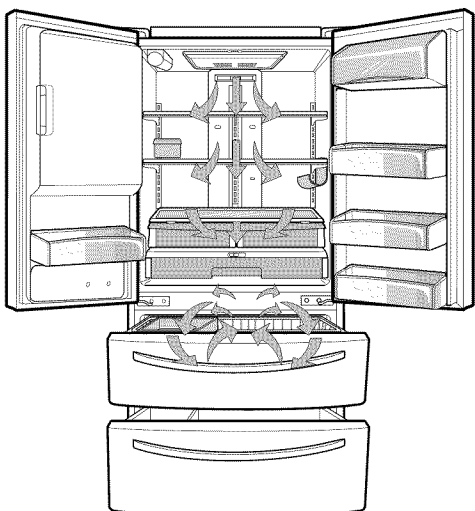
La cloison du Durabase vous permet d'organiser l'espace du Durabase dans deux secteurs.



1. Pour l'enlever, poussez la cloison vers l'extérieur.
2. Pour la réinstaller, accrochez les coins supérieurs de la cloison au bord supérieur du durabase.

**▲ AVERTISSEMENT:** Si le séparateur Durabase est retiré, il y a suffisamment d'espace ouvert à l'intérieur pour qu'un enfant ou des animaux se glissent à l'intérieur. Pour prévenir les risques qu'un enfant ou un animal soit coincé ou suffoque accidentellement, NE les laissez PAS jouer à l'intérieur du tiroir.

## CIRCULATION DE L'AIR



Afin d'assurer des températures adéquates, l'air doit circuler entre les compartiments du réfrigérateur et du congélateur.

Les flèches représentées sur la figure indiquent où se trouvent les ouvertures d'aération et le sens de circulation de l'air.

**N'obstruez aucune des ouvertures de circulation de l'air froid avec des aliments.** Si les ouvertures d'aération sont obstruées, la circulation de l'air sera interrompue et des problèmes de température et de moisissure pourront survenir.

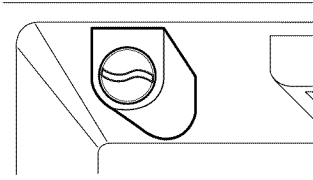
Si vous introduisez une grande quantité d'aliments, le réfrigérateur prendra plus de temps à les refroidir.

Lors de la première mise en service de votre réfrigérateur, laissez-le fonctionner pendant 2 ou 3 heures avant d'y placer des aliments.

# UTILISATION DE VOTRE RÉFRIGÉRATEUR

## FILTRE A EAU

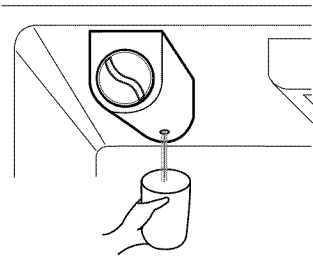
Remplacez le filtre à eau lorsque le signal de Filter Reset (changement du filtre) du panneau de contrôle du réfrigérateur s'allume, ou si la performance du distributeur d'eau ou de la machine à glaçons décroît sensiblement.



Après le changement de la cartouche du filtre à eau, appuyez 3 secondes sur la touche Filter Reset ; le signal s'éteint.

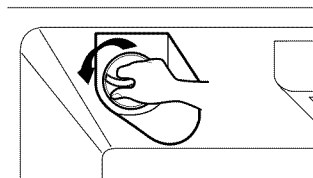
### 1. Enlevez la vieille cartouche.

Mettez un godet au-dessous du trou lors du remplacement du filtre

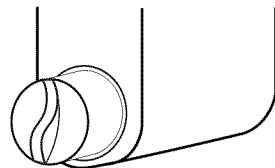


**NOTE:** Puisque un peu d'eau coule pendant ce temps.

Tournez le bouton de la cartouche dans le sens des aiguilles d'une montre.



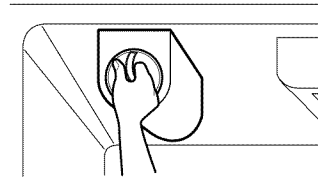
Retirez la cartouche.



### 2. Remplacez la cartouche par une cartouche neuve.

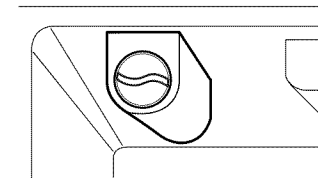
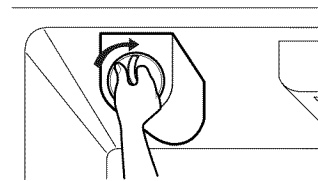
Retirez la cartouche neuve de son emballage puis retirez l'enveloppe de protection des joints toriques.

En orientant le bouton de la cartouche en position verticale, enfoncez la cartouche du filtre neuf à l'intérieur du couvercle jusqu'à ce qu'elle s'arrête.



Poussez fermement sur le filtre pour le faire pénétrer et tournez-le d'environ 1/4 de tour dans le sens horaire.

Vous entendez un coup sec lorsque le filtre est mis en place.



**3. Faites écouler l'eau après le remplacement du filtre.**  
Distribuez l'eau par le distributeur de l'eau pendant trois minutes pour rincer le système.

**REMARQUE:** Pour commander un filtre à eau de rechange, appelez le 1-800-4-MY-HOME®. Demandez la pièce 9990.

## ⚠ AVERTISSEMENT



### Risque d'explosion

Utilisez des nettoyeurs ininflammables. Autrement, vous risquez de provoquer un incendie, une explosion, voire la mort.

Le réfrigérateur et le congélateur se décongèlent automatiquement. Pourtant, nettoyez ces deux compartiments au moins une fois par mois afin d'éviter les odeurs. Essuyez les déversements immédiatement.

## CONSEILS GÉNÉRAUX DE NETTOYAGE

- Débranchez le réfrigérateur ou coupez l'alimentation.
- Démontez toutes les pièces démontables, telles que tablettes, bacs, etc. Adressez-vous aux sections pertinentes de Utilisation de votre réfrigérateur pour lire les instructions de démontage.
- Utilisez une éponge propre ou un tissu doux et du détergent neutre avec de l'eau tiède. N'utilisez pas des nettoyeurs abrasifs ou corrosifs.
- Lavez à la main, rincez et asséchez toutes les surfaces au complet.
- Branchez le réfrigérateur ou reconnectez l'alimentation.

## EXTÉRIEUR

Les surfaces extérieures en métal peint encaustiqué aident à prévenir la rouille. Ne cirez pas les pièces en plastique. Cirez les surfaces en métal peint au moins deux fois par an avec de la cire pour des appareils ménagers (ou cire auto luisante). Appliquez la cire avec un tissu propre et doux. Pour les produits ayant des surfaces extérieures en acier inoxydable, utilisez une éponge propre ou un tissu doux et un détergent neutre avec de l'eau tiède. N'utilisez pas des nettoyeurs abrasifs ou corrosifs. Asséchez complètement avec un tissu doux.

## INTÉRIEUR (permettez au congélateur de se réchauffer un peu pour éviter que le tissu se colle aux parois)

Pour favoriser l'élimination des odeurs, lavez l'intérieur du réfrigérateur avec un mélange d'eau tiède et de bicarbonate de soude.

Mélanger deux cuillères à soupe de bicarbonate de soude dans un litre d'eau (26 g de bicarbonate de soude dans un litre d'eau). Veiller à ce que le bicarbonate de soude soit complètement dissous de manière à ne pas rayer les surfaces du réfrigérateur.

**⚠ ATTENTION:** Lorsque vous nettoyez l'intérieur, n'arrosez PAS d'eau sur les surfaces.

## COMPARTIMENTS CONTRE-PORTE ET JOINTS DES PORTES

N'utilisez pas de cires nettoyantes, de détergents concentrés, de lessives ni de nettoyeurs contenant du pétrole dans les pièces en plastique du réfrigérateur.

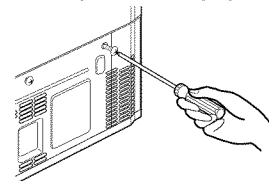
## PIÈCES EN PLASTIQUE (couvertres et panneaux)

N'utilisez pas de nettoyeurs de fenêtres, d'abrasifs ni de fluides inflammables. Ceux-ci peuvent égratigner ou endommager les matériaux.

## SERPENTINS DE CONDENSATION

Retirez le panneau arrière. Utilisez un aspirateur équipé d'une rallonge pour nettoyer le serpentin réfrigérant.

Aspirez le serpentin lorsqu'il est sale ou poussiéreux. Cette opération de nettoyage doit être menée chaque mois.



## REPLACEMENT DE L'AMPOULE D'ÉCLAIRAGE

### ⚠ AVERTISSEMENT

#### Risque d'électrocution

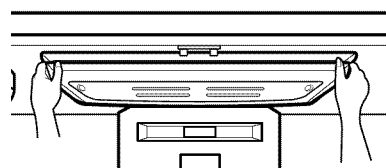
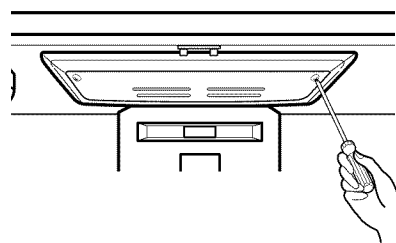
Avant de remplacer la lampe d'un compartiment, vous devez débrancher le réfrigérateur, ou bien couper l'alimentation au niveau du disjoncteur ou de la boîte à fusibles.

**REMARQUE:** Le fait de mettre le contrôle en position OFF ne coupe pas l'alimentation du circuit d'éclairage.

**REMARQUE:** Certains modèles sont dotés d'un éclairage intérieur DEL. L'entretien ne devrait être réalisé que par un technicien qualifié.

### Pour changer la lampe du compartiment réfrigérateur:

1. Débranchez le cordon d'alimentation de la prise.
2. Desserrez 2 vis.
3. A l'aide d'un instrument plat, tenez les deux extrémités avec vos deux mains et tirez le vers le bas pour le démonter.

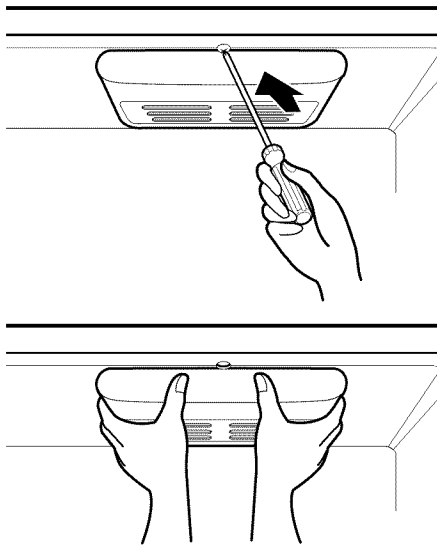


- Une fois terminé, rebranchez le réfrigérateur et reconfigurez les commandes (thermostat, commande du réfrigérateur et/ou commande du congélateur, selon le modèle) au réglage désiré.

## Pour changer la lampe du compartiment congélateur:

**REMARQUE :** Certains modèles sont dotés d'un éclairage intérieur DEL. L'entretien ne devrait être réalisé que par un technicien qualifié.

1. Débranchez le cordon d'alimentation du réfrigérateur de la prise secteur.
2. Retirez le couvercle du témoin lumineux à l'aide d'un tournevis.
3. Saisissez le couvercle du témoin lumineux et tirez-le vers le bas.



- Une fois terminé, rebrancher le réfrigérateur et reconfigurer les commandes (thermostat, commande du réfrigérateur et/ou commande du congélateur, selon le modèle) au réglage désiré.

## COUPURE D'ÉNERGIE

S'il y a une coupure d'énergie, appelez la compagnie d'énergie et demandez combien de temps durera la coupure.

1. Si l'énergie est coupée pendant 24 heures ou moins, gardez les portes du réfrigérateur bien fermées pour éviter que les aliments se réchauffent et se décongèlent.
2. Si l'énergie est coupée pendant plus de 24 heures:
  - a) Retirez tous les aliments et stockez-les dans une glacière.

## QUAND VOUS PARTEZ EN VACANCES

**Si vous choisissez de laisser le réfrigérateur en fonctionnement pendant votre absence,** suivez ces instructions afin de préparer votre réfrigérateur avant de partir.

1. Consommez tous les produits périssables et congelez le reste.
2. Videz le bac à glace.
3. Eteignez la machine à glaçons

**Si vous choisissez d'éteindre le réfrigérateur pendant votre absence,** suivez ces instructions.

1. Retirez tous les aliments du réfrigérateur.
2. Selon votre modèle, mettez le contrôle du thermostat (commande du réfrigérateur) en OFF. Lisez la section **Configuration des commandes**.
3. Nettoyez le réfrigérateur, essuyez-le et asséchez-le au complet.
4. Utilisez du ruban adhésif ou un morceau de bois pour empêcher les portes de se fermer. L'entrée d'air évitera que les odeurs et la moisissure se produisent.

## QUAND VOUS DÉMÉNAGEZ

Quand vous déménagez votre réfrigérateur à une nouvelle maison, suivez ces instructions pour le préparer au déménagement.

1. Retirez tous les aliments du réfrigérateur et stockez tous les aliments surgelés avec de la glace sèche.
2. Selon votre modèle, mettez la commande du thermostat (commande du réfrigérateur) en OFF. Lisez la section **Configurations des commandes**.
3. Débranchez le réfrigérateur.
4. Nettoyez-le, essuyez-le et séchez-le au complet.
5. Démontez toutes les pièces démontables, emballez-les correctement et rangez-les toutes ensemble pour éviter qu'elles bougent et se brisent pendant le déménagement. Adressez-vous aux sections pertinentes de Utilisation de votre réfrigérateur pour lire les instructions de démontage.
6. Selon le modèle, levez le front du réfrigérateur pour qu'il roule plus facilement OU vissez-le aux pattes de nivellement pour éviter d'égratigner le plancher. Lisez la section **Fermeture de la porte**.
7. Fermez les portes et assurez-les avec du ruban adhésif et collez le cordon d'alimentation au réfrigérateur avec du ruban adhésif.

Une fois arrivé dans votre nouvelle maison, réinstallez tout suivant les instructions de la section **Installation de votre réfrigérateur**.

## À PROPOS DE LA MACHINE À GLAÇONS AUTOMATIQUE

### MACHINE À GLAÇONS AUTOMATIQUE

La glace est faite dans icemaker automatique et envoyée au distributeur automatique. Icemaker automatique peut faire 6 cubes de glace à la fois, 80–130 cubes par période de 24 heures. Cette quantité peut varier par la circonstance, en incluant la température de compartiment de congélateur, la température de pièce, la fréquence d'ouverture des portes, la charge de congélateur et d'autres conditions d'utilisation.

- Un réfrigérateur nouvellement installé prend de 12 à 24 heures pour produire de la glace.
- La production de glace cesse lorsque le bac à glace est plein.
- Pour éteindre cet appareil automatique à glaçons, mettre l'interrupteur sur OFF(O). Pour allumer cet appareil automatique à glaçons, mettre l'interrupteur sur ON(I).
- Vous pouvez choisir la taille en appuyant sur le bouton de sélection de la taille des glaçons.

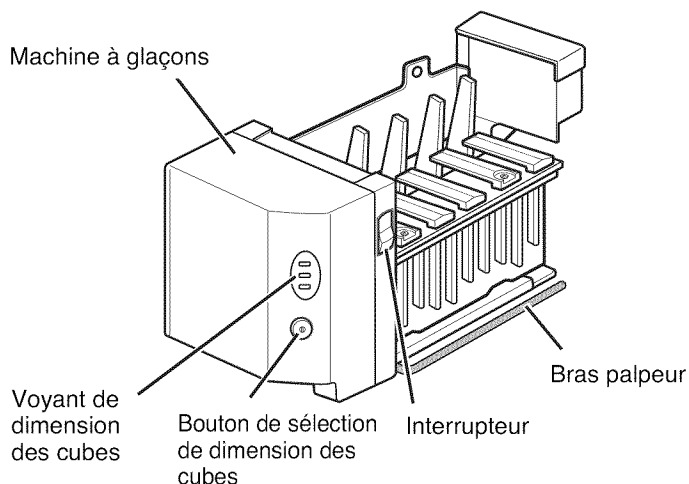
**REMARQUE :** Il est normal d'entendre un bruit lorsque les glaçons tombent dans le bac.

- La valve d'eau marche même si le tuyau d'eau n'est pas connecté et le Distributeur de glaçons est en marche. Le bruit est produit parce que le conduit d'eau n'est pas relié, ce qui ne signifie pas que la machine à glaçons est en panne.

### **⚠ AVERTISSEMENT**

#### **Risque de blessures personnelles**

Évitez le contact avec les pièces amovibles du mécanisme d'éjection ou avec l'élément chauffant fabricant les cubes. **NE PLACEZ PAS** les doigts ni les mains dans le mécanisme de fabrication de glace automatique quand le réfrigérateur est branché.



**REMARQUE :** Le soulèvement du bras d'arrêt automatique n'interrompt pas le fonctionnement de la machine à glaçons.

## À PROPOS DE LA MACHINE À GLAÇONS AUTOMATIQUE

### ▲ MISES EN GARDE

- La première production de glace et d'eau peut contenir des particules ou des odeurs provenant de la conduite d'eau ou du réservoir.
- Jeter les premiers paquets de glace (20 unités environ) et vidanger pendant 2 minutes après l'installation du réfrigérateur.
- Cette précaution s'impose également si le réfrigérateur n'a pas servi depuis longtemps.
- Ne rangez jamais de cannettes de boissons ou autres aliments dans le récipient d'accumulation de glace pour les refroidir plus rapidement. Vous pourriez endommager la machine à glaçons ou faire éclater les contenants.
- Si des glaçons décolorés sont distribués, vérifiez le filtre à eau et la conduite d'eau. Si le problème persiste, communiquez avec un centre de service Sears ou un autre centre de service qualifié. N'utilisez pas de glaçons ni d'eau tant que le problème n'est pas corrigé.
- Gardez les enfants à l'écart du distributeur. Ils pourraient jouer avec les commandes et les endommager.
- Le givre peut aussi obstruer le passage de la glace si l'on utilise uniquement de la glace broyée. Enlevez le givre qui s'accumule à cet endroit.
- N'utilisez jamais de la verrerie de cristal ou de la vaisselle fragiles pour recueillir la glace. Ces contenants sont susceptibles de se briser et des éclats peuvent se retrouver dans la glace.
- Mettez d'abord la glace dans le verre avant de le remplir d'eau ou d'une autre boisson. La glace risque de vous éclabousser si du liquide s'y trouve déjà.
- N'utilisez jamais un verre très étroit ou profond. La glace peut se coincer, obstruer le passage et affecter le fonctionnement du réfrigérateur.
- Gardez le verre à une distance suffisante du bec verseur. Une distance trop courte peut empêcher la glace de tomber.
- Pour prévenir les blessures corporelles, gardez les mains à l'écart de la porte et du passage de la glace.
- N'enlevez jamais le couvercle de la machine à glaçons.
- Si vous trouvez des glaçons ou de l'eau distribués inopinément, fermez la conduite d'eau et communiquez avec un centre de service Sears. Téléphonnez au **1-800-4-MY-HOME** (24 heures par jour, 365 jours par année) et sélectionnez l'option pour trouver un préposé à l'entretien autorisé.

### QUAND VOUS DEVEZ METTRE L'INTERRUPTEUR DE LA MACHINE À GLAÇONS EN O (OFF)

- Lorsque l'approvisionnement d'eau sera coupée pendant plusieurs heures.
- Lorsque le bac à glace sera enlevé pendant plus d'une ou deux minutes.
- Lorsque le réfrigérateur ne sera pas utilisé pendant plusieurs jours.

**REMARQUE:** Le bac à glaçons doit toujours être vidé lorsque le bouton marche/arrêt de la machine à glace est sur la position OFF.

### BRUITS NORMAUX QUE VOUS POUVEZ ENTENDRE

- La vanne à eau de la machine à glaçons bourdonnera lorsque la machine se remplit d'eau. Si l'interrupteur est en position **I (on)**, elle bourdonnera même si elle n'a pas encore été raccordée à l'eau. Pour arrêter le bourdonnement, mettez l'interrupteur en **O (off)**.
- **REMARQUE:** Le bac à glaçons doit toujours être vidé lorsque le bouton marche/arrêt de la machine à glace est sur la position OFF.
- **REMARQUE:** Si vous gardez l'interrupteur en position **I (on)** avant de raccorder le conduit d'eau, vous pouvez endommager la machine à glaçons.
- Vous entendrez le bruit des cubes tombant dans le bac et de l'eau coulant dans les tuyaux lors du remplissage de la machine à glaçons.

### PRÉPARATION POUR LES VACANCES

Mettez l'interrupteur de la machine à glaçons en **O (off)** et coupez l'approvisionnement d'eau du réfrigérateur.

**REMARQUE:** Le bac à glaçons doit toujours être vidé lorsque le bouton marche/arrêt de la machine à glace est sur la position OFF.

Si la température ambiante tombe au-dessous du niveau de congélation, contactez un technicien qualifié pour drainer le système d'approvisionnement d'eau, afin d'éviter des dommages matériels graves à cause d'un conduit ou d'un raccordement d'eau brisé.

# RACCORDEMENT DU CONDUIT D'EAU

## AVANT DE COMMENCER

L'installation de ce conduit d'eau n'est pas couverte par la garantie du fabricant du réfrigérateur ou de la machine à glaçons. Suivez ces instructions avec soin pour minimiser le risque de dommages coûteux.

Le martèlement de l'eau (les coups de l'eau à l'intérieur des tuyaux) à l'intérieur de la tuyauterie de la maison peut endommager les pièces du réfrigérateur et provoquer des fuites ou des inondations. Contactez un plombier qualifié pour corriger le martèlement de l'eau avant d'installer le conduit d'approvisionnement d'eau au réfrigérateur.

Pour éviter de brûler ou d'endommager le produit, ne raccordez pas le conduit d'eau au conduit d'eau chaude.

Si vous utilisez votre réfrigérateur avant de raccorder le conduit d'eau, assurez-vous que l'interrupteur est en position **O (off)**.

N'installez pas la tuyauterie de la machine à glaçons dans des secteurs où les températures tombent au-dessous du niveau de congélation.

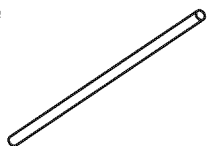
Si vous utilisez un dispositif électrique (tel qu'une perceuse) lors de l'installation, assurez-vous que le dispositif aura une double isolation ou sera mis à la terre de façon à réduire le risque de choc électrique ou sera alimenté à piles.

Toutes les installations doivent être conformes aux contraintes des codes de plomberie locaux.

**REMARQUE:** Utilisez des protecteurs pour les yeux.

## CE DONT VOUS AVEZ BESOIN

- **Tuyau de cuivre**, de 1/4 de diamètre extérieur pour raccorder le réfrigérateur à la source d'eau. Assurez-vous que les deux extrémités du tuyau ont une coupe carrée.



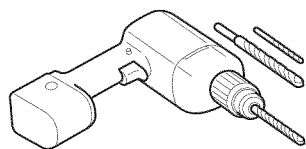
Pour déterminer la longueur du tuyau à utiliser : mesurez la distance entre la vanne à eau à la partie arrière du réfrigérateur et le conduit d'approvisionnement d'eau et ajoutez-le 8 pieds (2,4 m). Assurez-vous qu'il y a une section de tuyau supplémentaire (environ 8 pieds [2,4 m] bouclée dans 3 coudes d'un diamètre d'environ 10. [25 cm]) pour permettre la séparation du réfrigérateur du mur après l'installation.

- **Une source d'eau froide.** La pression d'eau doit être entre 20 et 120 p.s.i. pour les modèles sans filtre à eau et entre 40 et 120 p.s.i. pour les modèles avec filtre à eau.

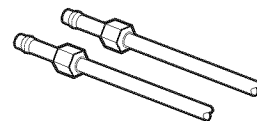
- **Perceuse.**

- **1/2. ou clé de serrage réglable.**

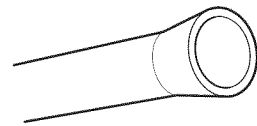
- **Tournevis courant et cruciforme.**



- **Deux écrous de serrage d'un diamètre extérieur de 1/4. et viroles (manches)** pour raccorder le tuyau de cuivre à la vanne de sectionnement et à la vanne à eau du réfrigérateur.



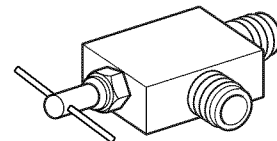
- Si votre conduit d'eau en cuivre a les extrémités évasées, vous aurez besoin d'un **adaptateur** (disponible dans les magasins d'articles de plomberie) pour raccorder le conduit d'eau au réfrigérateur OU vous pouvez couper le bout évasé avec un coupeur de tuyaux et utiliser un dispositif de serrage.



- **La vanne de sectionnement pour raccorder le conduit d'eau froide.**

La vanne de sectionnement doit avoir une entrée d'eau avec un diamètre intérieur minimal de 5/32.

au point raccordement au CONDUIT D'EAU FROIDE. Les vannes de sectionnement du type étrier sont incluses dans plusieurs kits d'approvisionnement d'eau. Avant d'en acheter, assurez-vous qu'une vanne du type étrier est conforme aux codes de plomberie locaux.



**REMARQUE:** On ne doit pas utiliser de vanne à eau à sellette auto perforante.

## INSTRUCTIONS D'INSTALLATION

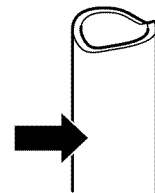
Installez la vanne de sectionnement dans le conduit d'eau potable plus fréquemment utilisé.

### 1. COUPEZ L'APPROVISIONNEMENT D'EAU PRINCIPAL

Fermez la vanne la plus proche pour soulager la pression du conduit.

### 2. CHOISISSEZ L'EMPLACEMENT DE LA VANNE

Choisissez un emplacement facilement accessible pour la vanne. Il est mieux de la placer dans un tuyau d'eau vertical. S'il est nécessaire de la placer dans un tuyau d'eau horizontal, installez-la dans la partie supérieure ou sur le côté, plutôt que dans la partie inférieure, pour éviter les sédiments du tuyau d'eau.

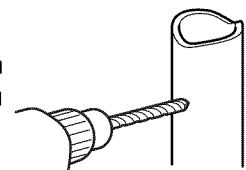


### 3. PERCEZ UN TROU POUR LA VANNE

Percez un trou de 1/4 po dans la conduite d'eau en utilisant un foret bien affûté. Enlever les bavures résultant du perçage. Bien faire attention de ne pas laisser l'eau couler dans la perceuse.

Le fait de ne pas percer de trou de 1/4 po pourrait entraîner une baisse de la production de glaçons ou une production de glaçons plus petits.

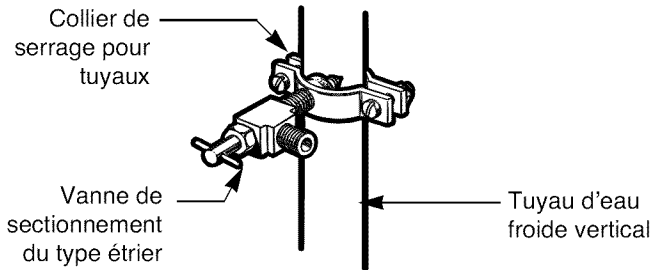
**REMARQUE :** La conduite de raccordement ne peut pas être un tube en plastique blanc. Les plombiers agréés ne doivent utiliser que des tuyaux en cuivre NDA n° 49595 ou 49599 ou des tuyaux en polyéthylène réticulés (PEX).



## INSTRUCTIONS D'INSTALLATION (SUITE)

### 4. SERREZ LA VANNE DE SECTIONNEMENT

Serrez la vanne de sectionnement au tuyau d'eau froide avec un collier de serrage pour tuyaux.

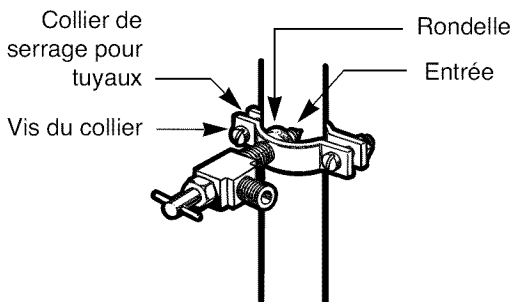


**REMARQUE:** Les Codes de plomberie de l'état de Massachusetts 248CMR doivent être respectés. Les vannes du type étrier sont illégales et leur utilisation est interdite dans le Massachusetts. Consultez avec un plombier agréé.

### 5. SERREZ LE COLLIER DE SERRAGE POUR TUYAUX

Serrez les vis du collier de serrage jusqu'à ce que la rondelle d'étanchéité commence à se dilater.

**REMARQUE:** Ne serrez pas en excès ou vous risquez d'endommager la tuyauterie.



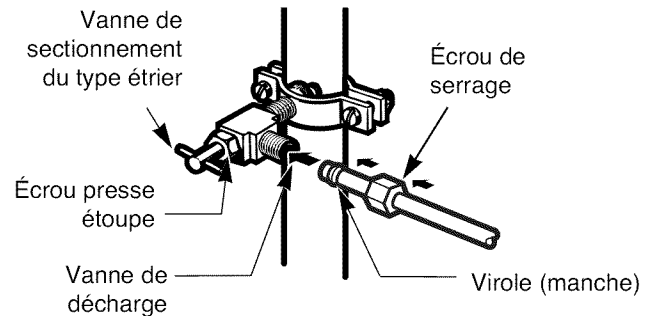
### 6. ACHEMINEZ LA TUYAUTERIE

Acheminez la tuyauterie entre le conduit d'eau froide et le réfrigérateur. Acheminez la tuyauterie à travers le trou percé dans le mur ou le plancher (derrière le réfrigérateur ou près de sa base) aussi proche que possible.

**REMARQUE:** Assurez-vous qu'il y a une section de tuyau supplémentaire (environ 8 pieds [2,4 m] bouclée dans 3 coudes d'un diamètre d'environ 10. [25 cm]) pour permettre la séparation du réfrigérateur du mur après l'installation.

### 7. RACCORDEZ LA TUYAUTERIE À LA VANNE

Placez l'écrou de serrage et la virole (manche) pour le tuyau de cuivre dans le bout du tuyau et raccordez-le à la vanne de sectionnement. Assurez-vous que la tuyauterie est complètement introduite dans la vanne. Serrez l'écrou de fortement.

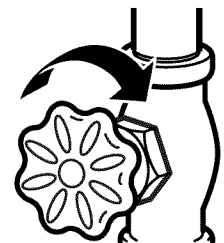


**REMARQUE:** Les Codes de plomberie de l'état de Massachusetts 248CMR doivent être respectés. Les vannes du type étrier sont illégales et leur utilisation est interdite dans le Massachusetts. Consultez avec un plombier agréé.

### 8. LAVAGE DE LA TUYAUTERIE

Ouvrez l'approvisionnement principal d'eau et laissez couler l'eau jusqu'à ce que l'eau soit propre.

Fermez le passage d'eau avec la vanne après avoir laissé s'écouler environ un quart d'eau dans la tuyauterie.



# RACCORDEMENT DU CONDUIT D'EAU

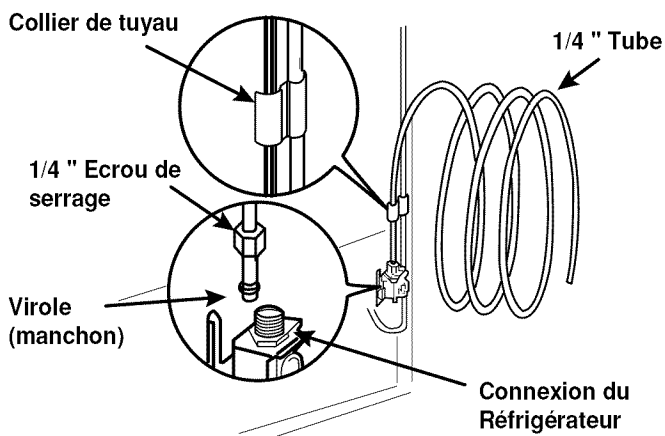
## 9. RACCORDEMENT DU TUYAU AU RÉFRIGÉRATEUR

### REMARQUE:

• Avant de raccorder la conduite d'eau au réfrigérateur, vérifiez que le cordon d'alimentation du réfrigérateur n'est pas banché sur la prise secteur.

1. Enlevez la bague en plastique flexible du robinet d'adduction d'eau.
2. Placez l'écrou de serrage et la virole (manchon) à extrémité du tuyau comme indiqué sur la figure.
3. Placez extré du tube de cuivre dans la connexion aussi loin que possible. Tout en fixant la tuyauterie, serrez le connecteur.

▲ **ATTENTION:** Vérifiez l'absence d'écoulement d'eau au niveau des raccords des canalisations.

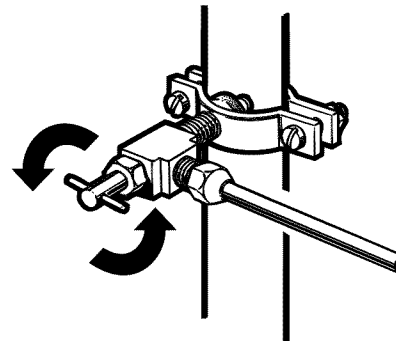


▲ **ATTENTION:** Vérifiez l'absence d'écoulement d'eau au niveau des raccords des canalisations.

## SECTIONNEMENT DE L'EAU

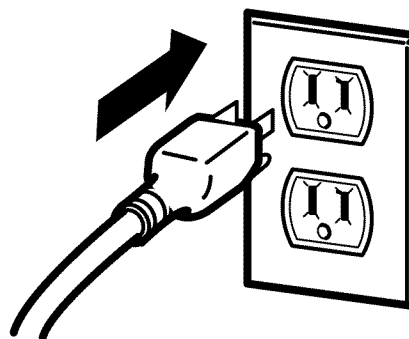
Serrez tous les raccords présentant des fuites.

Remplacez le couvercle d'accès au compartiment du compresseur.



## 11. BRANCHEZ LE RÉFRIGÉRATEUR

Placez le serpentin de la tuyauterie pour qu'il ne vibre pas contre la partie arrière du réfrigérateur ou contre le mur. Rapprochez le réfrigérateur au mur.



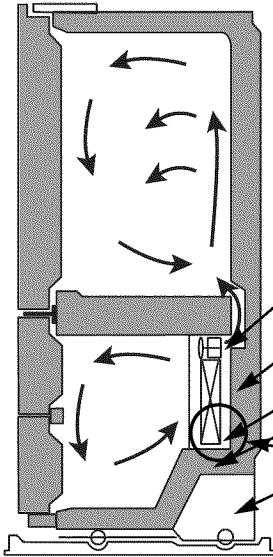
## 12. DÉMARREZ LA MACHINE À GLAÇONS

Réglez l'interrupteur de la machine à glaçons dans la position **ON**.

La machine à glaçons ne commencera pas à fonctionner jusqu'à atteindre sa température de fonctionnement de 15°F (-9°C) ou moins. Le fonctionnement commencera alors automatiquement si l'interrupteur de la machine à glaçons est en position **I (on)**.

## BRUITS NORMAUX QUE VOUS POUVEZ ENTENDRE

Votre nouveau réfrigérateur peut faire des bruits que votre ancien réfrigérateur ne faisait pas. Puisque ces bruits seront nouveaux pour vous, vous pouvez vous en préoccuper. La plupart de ces nouveaux bruits sont normaux. Les surfaces dures, comme le plancher, les murs et les armoires peuvent augmenter la résonance des bruits. Le guide suivant décrit les types de bruits et quelle peut être leur source.



- La minuterie de décongélation émet un déclic lorsque le cycle de décongélation automatique commence et se termine. La commande du thermostat (ou commande du réfrigérateur, selon le modèle) produira aussi un déclic lorsque son cycle démarre et s'arrête.
- Des crépitements peuvent provenir du flux du réfrigérant, du conduit d'eau ou des produits placés sur le réfrigérateur.
- Votre réfrigérateur est dessiné pour fonctionner plus efficacement afin de conserver vos aliments à la température désirée. Le haut rendement du compresseur peut provoquer que votre nouveau réfrigérateur fonctionne plus longtemps que l'ancien et il est possible que vous entendiez un son modulé ou aigu.
- Il est possible que vous entendiez le moteur du ventilateur de l'évaporateur faisant circuler l'air à travers les compartiments réfrigérateur et congélateur.
- À la fin de chaque cycle, il est possible que vous entendiez un bruit de glouglou produit par la circulation du réfrigérant dans votre réfrigérateur.
- La contraction et l'expansion des parois intérieures peuvent provoquer des bruits d'éclatement.
- L'égouttement d'eau dans le radiateur de décongélation pendant le cycle de décongélation peut provoquer un bruit de grésillement.
- Il est possible que vous entendiez l'air soufflé par le ventilateur du condensateur, traversant le condensateur.
- Il est possible que vous entendiez l'écoulement d'eau vers le bac de drainage pendant le cycle de décongélation.
- Il se peut que lors de l'ouverture des portes, vous entendiez le bruit du ventilateur de la machine à glaçons dans le congélateur ou du côté gauche du réfrigérateur.

## LE RÉFRIGÉRATEUR NE FONCTIONNE PAS

Vérifiez si...

Alors...

Le cordon d'alimentation est débranché.	Branchez correctement le cordon à une prise ayant le voltage approprié.
Un fusible a sauté ou le disjoncteur a coupé le courant.	Remplacez le fusible ou réinitialiser le disjoncteur.
La commande du réfrigérateur est réglée en position OFF.	Lisez la section <b>Configurations des commandes</b> à la page 94.
Le réfrigérateur est en cycle de décongélation.	Attendez environ 30 minutes jusqu'à la fin du cycle de décongélation.

## VIBRATIONS OU CRÉPITEMENTS

Vérifiez si...

Alors...

Le réfrigérateur est solidement appuyé sur le plancher.	Le plancher n'est pas assez solide ou égal ou les pattes de nivellement ont besoin d'un nouveau réglage. Lisez la section <b>Installation</b> à la page 84-93.
---	--

## L'ÉCLAIRAGE NE FONCTIONNE PAS

Vérifiez si...

Alors...

Le cordon d'alimentation est débranché.	Branchez correctement le cordon à une prise ayant le voltage approprié.
L'ampoule d'éclairage n'est pas bien serrée.	Mettez la commande du réfrigérateur en position OFF et débranchez le réfrigérateur. Remplacez l'ampoule. Branchez le réfrigérateur et réinitialisez la commande du réfrigérateur.
L'ampoule d'éclairage est grillée.	Remplacez l'ampoule grillée par une autre du même voltage, dimension et forme disponible dans le magasin spécialisé de votre région. (Lisez la section <b>Changement de l'ampoule d'éclairage</b> aux pages 102-103.) Mettez la commande de température en position OFF et débranchez le réfrigérateur avant de remplacer l'ampoule.

## GUIDE DE DÉPANNAGE

### LE MOTEUR DU COMPRESSEUR SEMBLE NE PAS FONCTIONNER ASSEZ LONGTEMPS

Vérifiez si...

Alors...

Le réfrigérateur remplacé était un modèle plus ancien.	Les réfrigérateurs modernes, ayant un espace de stockage plus grand, demandent une période de fonctionnement plus longue.
La température ambiante est plus haute que la température normale.	Le moteur fonctionnera plus longtemps dans des conditions plus chaudes. Dans des températures ambiantes normales, le moteur devrait fonctionner environ 40% à 80% du temps. Dans des conditions plus chaudes, il devrait peut-être fonctionner encore plus longtemps.
La porte a été souvent ouverte ou une grande quantité d'aliments a été ajoutée.	Le fait d'introduire des aliments et d'ouvrir la porte réchauffe le réfrigérateur. Il est normal que le réfrigérateur fonctionne plus longtemps pour pouvoir réfrigérer davantage. Le fait d'introduire une grande quantité d'aliments réchauffe le réfrigérateur. Lisez la section <b>Guide pour le stockage d'aliments</b> à la page 96. Pour faire des économies d'énergie, essayez de sortir du réfrigérateur tout dont vous avez besoin en une seule fois, gardez les aliments de façon ordonnée pour qu'il soit plus facile de les trouver et fermez la porte aussitôt possible.
Le réfrigérateur vient d'être branché et la commande du réfrigérateur est réglée correctement.	Le réfrigérateur tardera 24 heures à réfrigérer complètement.
La commande du réfrigérateur n'est pas réglée correctement selon les conditions environnantes.	Lisez la section <b>Réglage de la configuration des commandes</b> à la page 96.
Les portes ne sont pas bien fermées.	Fermez les portes correctement. Si vous ne pouvez pas les fermer complètement, lisez Les portes ne ferment pas à la fin de ce manuel.
Les serpentins de condensation sont sales.	Cela évite le transfert d'air et oblige le moteur à fonctionner davantage. Nettoyez les serpentins de condensation. Lisez la section <b>Entretien et nettoyage</b> aux pages 102-103.

### LES PORTES NE FERMENT PAS COMPLÈTEMENT

Vérifiez si...

Alors...

Le réfrigérateur n'est pas nivelé.	Lisez <b>Nivellement et alignement de la porte</b> à la page 93.
Il y a des aliments qui empêchent de bien fermer la porte.	Réordonnez les aliments et les tablettes.
Le bac à glace, le couvercle du bac à légumes, les tiroirs, les tablettes, les balconnets de la porte ou les paniers sont mal placés.	Fermez les bacs correctement et placez le couvercle du bac à légumes, les tiroirs, les tablettes et les paniers correctement. Lisez la section <b>Utilisation de votre Réfrigérateur</b> aux pages 94-101.
Les joints sont collés.	Nettoyez les joints et leurs surfaces de contact. Appliquez une fine couche de paraffine dans les joints après le nettoyage.
Le réfrigérateur se balance ou semble instable.	Mettez le réfrigérateur à niveau. Lisez la section <b>Nivellement et alignement de la porte</b> à la page 93.
Les portes ont été enlevées pendant l'installation du produit et mal réinstallées.	Retirez et remplacez les portes suivant les sections de <b>Poignées et portes Démontage et remplacement du réfrigérateur</b> aux pages 85-88 ou contactez un technicien qualifié.

### IL Y A DES CRISTAUX DE GLACE OU DU GIVRE DANS LES ALIMENTS SURGELÉS

Vérifiez si...

Alors...

La porte n'est pas bien fermée.	Lisez <b>Les portes ne ferment pas complètement</b> en haut.
La porte est ouverte souvent.	Si la porte est ouverte, de l'air humide et chaud entre dans le congélateur, ce qui produit la décongélation.

## GUIDE DE DÉPANNAGE

### LA GLACE A UN MAUVAIS GOÛT OU ODEUR

Vérifiez si...

Alors...

La machine à glaçons vient d'être installée.	N'utilisez pas les premiers lots de glaçons pour éviter les glaçons troubles et avec un mauvais goût.
La glace a été longtemps stockée.	Jetez les vieux glaçons et remplissez le compartiment avec de l'eau fraîche.
Les aliments n'ont pas été bien enveloppés dans leurs compartiments.	Emballez les aliments de nouveau pour éviter que leur odeur se transmette aux glaçons.
L'eau contient des minéraux, tels que le sulfure.	Il peut être nécessaire un filtre à eau (ou de le remplacer) afin d'éliminer les mauvaises odeurs et goûts.
L'intérieur du réfrigérateur a besoin de nettoyage.	Lisez la section <b>Entretien et nettoyage</b> aux pages 102-103.
Le bac à glace a besoin de nettoyage.	Videz et nettoyez le bac. N'utilisez pas les vieux glaçons.

### IL Y A DE L'EAU DANS LE BAC DE DRAINAGE DE DÉCONGÉLATION

Vérifiez si...

Alors...

Le réfrigérateur est en décongélation.	L'eau sera évaporée. Il est normal que de l'eau tombe dans le bac de décongélation.
Il est plus humide que d'habitude.	Il est normal que l'eau du bac de décongélation tarde plus longtemps à être évaporée. Cela est normal lorsqu'il fait chaud ou humide.

### IL SEMBLE QUE LE RÉFRIGÉRATEUR FAIT BEAUCOUP DE BRUIT

Vérifiez si...

Alors...

Les bruits sont normaux dans votre réfrigérateur.	Lisez la section <b>Bruits normaux que vous pouvez entendre</b> à la page 109.
---	--

### LA MACHINE À GLAÇONS NE PRODUIT PAS DE GLACE OU ELLE PREND TROP DE TEMPS À LA PRODUIRE

Vérifiez si...

Alors...

La température du congélateur est assez froide pour produire de la glace.	Attendez 24 heures après la mise en marche pour la production de glace. Lisez la section <b>Configurations des commandes</b> à la page 94.
La porte est restée ouverte.	Vérifiez s'il y a quelque chose qui garde la porte ouverte.

### LES CUBES PRODUITS PAR LA MACHINE À GLAÇONS SONT TRÈS PETITS

Vérifiez si...

Alors...

La dimension plus petite des cubes est sélectionnée.	Sélectionnez une dimension plus grande des cubes avec le sélecteur de dimension des cubes.
La vanne de sectionnement d'eau qui raccorde le réfrigérateur au conduit d'eau est bouchonnée.	Contactez un plombier pour nettoyer la vanne.

## IL EST TRÈS DIFFICILE D'OUVRIR LES PORTES

Vérifiez si...

Alors...

Les joints sont sales ou collants.	Nettoyez les joints et leurs surfaces de contact. Appliquez une fine couche de cire dans les joints après le nettoyage.
Vous voulez rouvrir la porte peu de temps après l'avoir ouverte.	Lorsque vous ouvrez la porte, de l'air chaud entre dans le réfrigérateur. Le refroidissement brusque de l'air chaud crée un vide. S'il est difficile d'ouvrir la porte, attendez 5 minutes pour permettre que la pression d'air s'équilibre et essayez alors de l'ouvrir plus facilement.

## LA TEMPÉRATURE EST TRÈS CHAUDE OU IL Y A DE L'HUMIDITÉ INTÉRIEURE

Vérifiez si...

Alors...

Les conduits de ventilation d'air sont bloqués. L'air circule du congélateur à la section des aliments frais et revient à travers les conduits de ventilation de la cloison divisant les deux sections.	Sentez le flux d'air des conduits de ventilation avec votre main et déplacez tous les aliments qui bloquent les conduits de ventilation et réduisent le flux d'air.
Les portes sont ouvertes souvent.	Si la porte est ouverte, de l'air chaud entre dans le réfrigérateur. Plus de temps la porte est ouverte, plus d'humidité y entrera et plus d'air chaud le réfrigérateur devra refroidir. Pour garder le réfrigérateur froid, essayez de sortir du réfrigérateur tout ce dont vous avez besoin en une seule fois, gardez les aliments de façon ordonnée pour qu'il soit plus facile de les trouver et fermez la porte aussitôt possible.
La commande n'est pas réglée correctement selon les conditions environnantes.	Lisez la section <b>Configurations des commandes</b> à la page 85. Attendez 24 heures pour que les températures deviennent stables. Si la température est très froide ou très chaude, composez un seul numéro par fois.
Une grande quantité d'aliments vient d'être introduite dans le réfrigérateur ou dans le congélateur.	Quand vous introduisez des aliments chauds dans le réfrigérateur, il est possible que le réfrigérateur tarde quelques heures pour reprendre la température normale.
Les aliments ne sont pas bien emballés.	Emballez les aliments correctement et essuyez bien les compartiments avant de les stocker dans le réfrigérateur pour éviter l'accumulation d'humidité. S'il est nécessaire, remballer les aliments suivant les instructions de la section <b>Guide pour le stockage d'aliments</b> à la page 86.
Les portes ne sont pas bien fermées.	Lisez <b>Les portes ne ferment pas complètement</b> à la page 101.
Le temps est humide.	Dans un climat humide, l'air transporte de l'humidité vers le réfrigérateur lorsque les portes sont ouvertes.
Un cycle de décongélation automatique vient de se compléter.	La formation de gouttelettes d'eau sur la paroi arrière est normale après la décongélation du réfrigérateur.







# Get it fixed, at your home or ours!

## Your Home

For expert troubleshooting and home solutions advice:

**manage my home**

[www.managemyhome.com](http://www.managemyhome.com)

For repair – **in your home** – of **all** major brand appliances, lawn and garden equipment, or heating and cooling systems, **no matter who made it, no matter who sold it!**

For the replacement parts, accessories and owner's manuals that you need to do-it-yourself.

For Sears professional installation of home appliances and items like garage door openers and water heaters.

**1-800-4-MY-HOME<sup>®</sup>** (1-800-469-4663)

Call anytime, day or night (U.S.A. and Canada)

[www.sears.com](http://www.sears.com)      [www.sears.ca](http://www.sears.ca)

## Our Home

For repair of carry-in items like vacuums, lawn equipment, and electronics, call anytime for the location of your nearest

**Sears Parts & Repair Service Center**

**1-800-488-1222** (U.S.A.)      **1-800-469-4663** (Canada)

[www.sears.com](http://www.sears.com)

[www.sears.ca](http://www.sears.ca)

To purchase a protection agreement on a product serviced by Sears:

**1-800-827-6655** (U.S.A.)

**1-800-361-6665** (Canada)

Para pedir servicio de reparación a domicilio, y para ordenar piezas:

**1-888-SU-HOGAR<sup>®</sup>**

(1-888-784-6427)

Au Canada pour service en français:

**1-800-LE-FOYER<sup>MC</sup>**

(1-800-533-6937)

[www.sears.ca](http://www.sears.ca)



® Registered Trademark / <sup>TM</sup> Trademark / <sup>SM</sup> Service Mark of Sears Brands, LLC

© Marca Registrada / <sup>TM</sup> Marca de Fábrica / <sup>SM</sup> Marca de Servicio de Sears Brands, LLC

<sup>MC</sup> Marque de commerce / <sup>MD</sup> Marque déposée de Sears Brands, LLC

© Sears Brands, LLC