

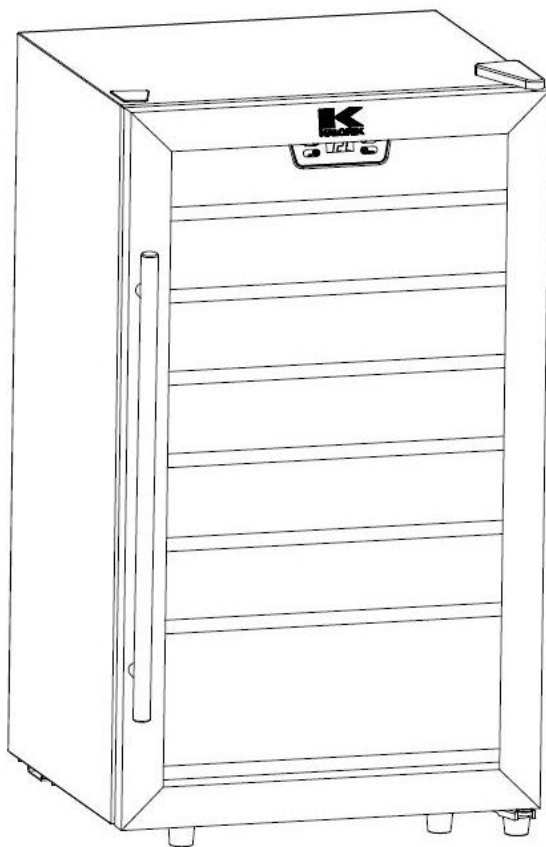
# KALORIK®

Since 1930

## FREE STANDING COMPRESSOR WINE CELLAR

VINOTECA INDEPENDIENTE A PRESIÓN

CAVE À VIN COMPRESSEUR POSE LIBRE



EN.....3

ES.....16

FR.....29

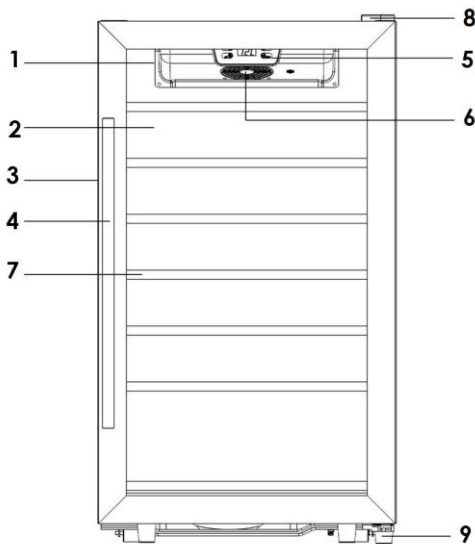
**WCL 43915**

120V~60Hz 120W (1.3A)

M

# PARTS DESCRIPTION / DESCRIPCIÓN DE PARTES / DESCRIPTION DES ÉLÉMENTS

---



## ENGLISH:

- |                  |                    |
|------------------|--------------------|
| 1. Fan base      | 6. LED lights      |
| 2. Cabinet       | 7. Shelf           |
| 3. Door          | 8. Upper hinge     |
| 4. Handle        | 9. Adjustable feet |
| 5. Control panel |                    |

## ESPAÑOL:

- |                               |                     |
|-------------------------------|---------------------|
| 1. Base de ventilador         | 6. Luz LED          |
| 2. Gabinete                   | 7. Repisa           |
| 3. Puerta                     | 8. Bisagra superior |
| 4. Manija de acero inoxidable | 9. Patas ajustables |
| 5. Panel de control           |                     |

## FRANÇAIS:

- |                        |                         |
|------------------------|-------------------------|
| 1. Base du ventilateur | 6. Éclairage LED        |
| 2. Cabinet             | 7. Étagère              |
| 3. Porte               | 8. Charnière supérieure |
| 4. Poignée             | 9. Pieds ajustables     |
| 5. Panneau de contrôle |                         |

# IMPORTANT SAFEGUARDS

---

**When using electrical appliances, basic safety precautions should always be followed, including the following:**

❑ **READ ALL INSTRUCTIONS**

- ❑ After removing the wine cooler from the package, make sure it is in good condition. In case of doubt, do not use it and contact the customer service center.
- ❑ Plastic bags, nails, etc. should be kept out of the reach of children.
- ❑ Check that your mains voltage corresponds to that stated on the appliance.
- ❑ Never leave the appliance unsupervised when in use.
- ❑ Never leave the appliance unsupervised when taking beverages out or putting them in the cooler. Keep out of reach of children or incompetent persons.
- ❑ From time to time check the cord for damages. Never use the appliance if cord or appliance shows any signs of damage.
- ❑ Never move the appliance by pulling the cord. Make sure the cord cannot get caught in any way. Do not wind the cord around the appliance and do not bend it. Keep the power cord away from sources of heat.
- ❑ Only use the appliance for domestic purposes and in the way indicated in these instructions.
- ❑ Should the cord be damaged, it must be replaced by a qualified service.
- ❑ Never use the appliance near hot surfaces or in the sunlight.
- ❑ Never use the appliance outside and always place it in a dry environment.
- ❑ Stand the appliance on a table or flat surface in order to avoid its fall. Ensure that there is at least a 12 cm / 5 in. clearance at the sides; and 12 cm / 5 in. clearance at the back of the cooler, to allow adequate ventilation. Kitchen units (cupboards) should be at least 5cm / 2 in. away from the appliance to assure adequate ventilation. Keep ventilation openings clear of obstruction.
- ❑ Do not place any other object on top of the appliance.
- ❑ Never use accessories that are not recommended by the manufacturer. They could constitute a danger to the user and risk to damage the appliance.

- ❑ Plug the appliance directly into the power outlet; do not use any extension cord or multiple power sockets.
- ❑ This cooler is designed to store and cool beverages. Do not store perishable food, medicine, or other medical products.
- ❑ Do not place hot beverages into the appliance but let them cool down to room temperature before.
- ❑ Close the cooler door immediately after putting in any items so the inside temperature will not rise dramatically.
- ❑ When positioned or if moving the appliance, ensure that it is not set horizontally or declined less than 45° or turned upside down.
- ❑ Should you notice any kind of damage on the appliance, please unplug it immediately and contact a qualified service.
- ❑ All repairs should be made by a qualified service.
- ❑ To reduce the risk of fire, replace only with same type fuse.
- ❑ Unplug the appliance before cleaning or when it is not in use.
- ❑ To avoid risk of child entrapment, leave the shelves in place so children cannot easily climb inside even when the appliance is in routine use or not in use at home. Before disposing of your wine cooler: take off the door and leave the shelves in place so that children may not easily climb inside.
- ❑ Avoid direct sunshine and high temperature.

**CAUTION: Flammable refrigerant used! When handling, moving and use of the cooler, make sure to avoid either damaging the refrigerant tubing or increasing the risk of a leak.**

- ❑ Never clean the appliance with flammable fluids. The fumes can create a fire hazard or explosion.
- ❑ Do not store or use gasoline or any other flammable vapors and liquids near this or any other appliance. The fumes can create a fire hazard or explosion.
- ❑ Do not store explosive substances such as aerosols cans with a flammable propellant in this appliance.

# SAVE THESE INSTRUCTIONS

## HOUSEHOLD USE ONLY

Save time and money. Before you call for service, check the troubleshooting section at the end of this manual. It lists the causes of some common issues that you can correct yourself.

**WARNING: Changes or modifications to this unit not expressly approved by the manufacturer could void the user's authority to operate the equipment.**

**CAUTION – RISK OF FIRE OR EXPLOSION. FLAMMABLE REFRIGERANT USED. CONSULT REPAIR MANUAL/OWNER'S GUIDE BEFORE ATTEMPTING TO SERVICE THIS PRODUCT. ALL SAFETY PRECAUTIONS MUST BE FOLLOWED.**

### 3-PRONG PLUG INSTRUCTIONS

---

For your personal safety, this appliance must be grounded. This appliance is equipped with a power supply cord having a 3-prong grounding plug. To minimize possible shock hazard, the cord must be plugged into a mating 3-prong, grounding type wall receptacle, grounded in accordance with the National Electrical Code ANSI/NFPA 70 latest edition and all local codes and ordinances.

If a mating wall receptacle is not available, it is the personal responsibility and obligation of the customer to have a properly grounded, 3-prong, wall receptacle installed by a qualified electrician.

# TECHNICAL DATA

<b>Unit Type</b>	Standalone	<b>Cooling System</b>	Compressor
<b>Bottle Capacity</b>	Approx. 33	<b>Venting Direction</b>	Two Side
<b>Product Dimension</b>	850×480×430 mm 33.46×18.90×16.93 in	<b>Number of Fans</b>	1 PCS
<b>Internal Volume</b>	3.15cu. ft. 89.19 L	<b>Shelving Material</b>	Wooden Shelves
<b>Control Type</b>	Button Control	<b>Removable Racks</b>	YES
<b>Door Material</b>	Stainless Steel, Glass, Plastic	<b>Number of Shelves</b>	5 Shelves + 1 Half Shelf
<b>Door Color</b>	Stainless Steel	<b>Lighting</b>	YES
<b>Number Doors</b>	1	<b>Bulb Type</b>	LED
<b>Reversible Door</b>	NO	<b>Number of Bulbs</b>	1
<b>Glass Type</b>	Tempered Glass	<b>Voltage</b>	110-120V
<b>Glass Finish</b>	Tinted Grey	<b>Certification</b>	ETL/CEC
<b>Temperature Zones</b>	Single Zone	<b>Power Cord</b>	70 inches
<b>Temperature Ranges</b>	5-18°C 41-64°F		

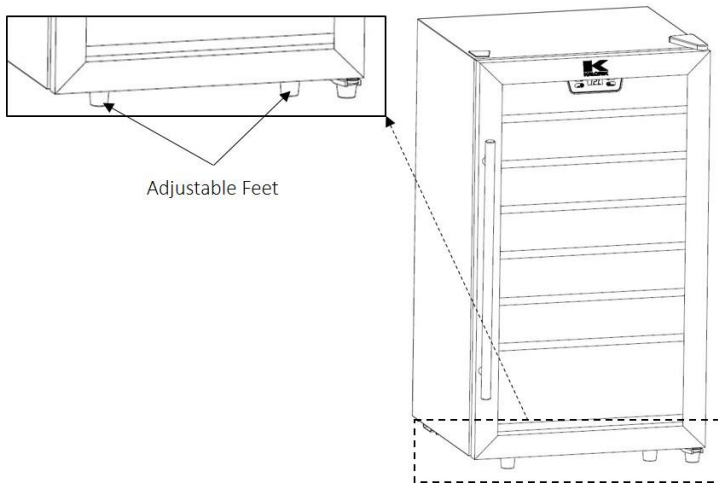
**NOTE: this appliance is not a standard refrigerator. The maximum cooling capacity is around 30 degrees F (15 degrees C) below the ambient temperature.**

## POSITIONING THE APPLIANCE

---

For best results, use the height-adjustable feet to level the wine cooler. This will allow it to stand perfectly horizontal, which allows for stability.

The height-adjustable feet are located on the base of the appliance in the frontal area. Refer to the image below to identify the two (2) adjustable feet marked by arrows. Turn the foot clockwise or counterclockwise to adjust its height and to ensure the perfect horizontality of the unit.



**CAUTION: Do not utilize as a built-in unit. Standalone use only!**

## INSTALLING THE HANDLE

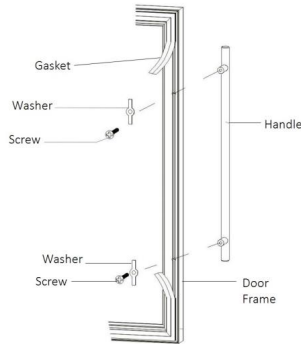
---

This mini cooler includes a stainless-steel handle. To be install, follow instructions below:

- 1) Remove the door gasket directly behind the designated location of the handle – you can see two (2) holes with screws pre-placed for easy installation. The gasket is displaced by hand, no tools are necessary.
- 2) Install the handle tightly on to the front of the door, using the provided screws.

**WARNING: Do not over tighten to prevent damage to the handle and door frame).**

- 3) Replace the door gasket to its original position.



## OPERATION

---

**CAUTION: Before connecting the appliance to an electrical power supply, let it stand for about 4 hours. This will reduce the possibility of malfunctioning in the cooling system due to transport handling.**

- Before use, clean the appliance thoroughly, especially inside the cavity (See "Cleaning").
  - Rearrange the shelves in the cavity properly if they are not correctly placed.
  - Make sure that the voltage in your home is compatible with the appliance.
  - Position the appliance in a cool place, on a stable surface near a wall outlet, with sufficient clearance on all sides to allow proper ventilation.
  - Avoid moist and humid spaces to store or use appliance.
- WARNING: Do not store or install the appliance outdoors**
- WARNING: Do not attempt to install the appliance into a built-in unit!**
- Plug in the appliance into an earthed wall outlet.
  - Once connected to a power source, the fans will start turning and the wine cooler will start cooling. The cooler will need up to one and a half hours to reach 15°C/ 60°F and up to 4 hours to reach the temperature set up as the factory standard.

**NOTE:** The inside temperature of the wine cooler depends on the exterior room temperature. To reach the minimum temperatures indicated

below, the appliance should be located indoors in a room in which the ambient temperature is less than 90°F/32°C.

Temperature settings applicable when storing mostly one type of wine:







Red Wines	58°F - 64°F	14°C - 18°C
White / Rose / Dry Wines	48°F - 58°F	9°C - 14°C
Sparkling Wines	45°F - 48°F	7°C - 9°C

## TEMPERATURE SETTINGS AND DISPLAY



The appliance is for wine storage at temperatures ranging from 41°F to 64°F (5°C to 18°C). The digital display shows the current temperature of the cooler's interior.

The temperature is factory preset when the cellar is off the assembling line. The temperature of the wine cooler can be set by pressing the temperature "up" and temperature "down" buttons as follows:

- 1) When the power source is connected, the cooling system will begin to work.
- 2) To turn on or turn off the appliance, press the  button for three (3) seconds. It will beep to confirm command.
- 3) Press the  button to turn on or off the light inside the appliance.
- 4) The temperature is set on certain temperature level, which means that when the inner temperature reaches the set point, the appliance will stop cooling, so that the temperature in the cabinet rises gradually.
- 5) The temperature is displayed in Fahrenheit (°F) ranging between 41° - 64°F. To change temperature display from Fahrenheit to Celsius, press the  and  buttons together for three (3) seconds. A beep will confirm the change.
- 6) To set a desired temperature, press  button for higher temperature or press  button for lower temperature setting. The temperature will increase/decrease by 1 degree with each press of

the button.

- 7) When the inside temperature rises above the set point, cooling will resume until reaching this set point once again, and the cellar enters cooling cycles.

**NOTE:**

- This wine cooler needs to be placed on a flat surface, with 12cm/5in. space on each side at the backside. This appliance is not designed to be built in.
- Avoid placing in direct sunshine, near a heating source, or in an unventilated area.
- Do not place heavy items on top of the appliance.
- If the unit is unplugged, turned off or power is lost, you must wait 3-5 minutes before restarting the unit. If you attempt to restart the unit before this time delay, the unit may not start.

## **GET MORE OUT OF YOUR PRODUCT**

---

Sign up for the Kalorik email mailing list on [www.kalorik.com](http://www.kalorik.com) to receive special offers and recipes and connect with us on social media for daily inspiration.

# CLEANING

---

- Unplug the appliance from the wall outlet before cleaning it.
- Clean the exterior of the appliance with water and a mild household detergent. Do not use abrasive cleaners as they can damage the finish of the appliance. Rinse well and wipe dry with a clean soft cloth.
- Clean the interior of the appliance with lukewarm water and baking soda. The solution should be about 2 tablespoons of baking soda to 4 cups of water.
- If needed, remove the shelves in the cavity by sliding them out; clean them with water and a mild liquid detergent. Do not put any parts in the dishwasher.
- Never use metal utensils or harsh, abrasive products to clean the appliance.
- **NEVER IMMERSE THE APPLIANCE IN WATER OR ANY OTHER LIQUID.**
- Any other servicing should be performed by an authorized service representative.

NEVER CLEAN THE APPLIANCE WITH FLAMMABLE FLUIDS. The fumes can create a fire hazard or explosion.

# TROUBLESHOOTING

Symptoms	Possible cause	Solutions
<b>Appliance is not running</b>	<ul style="list-style-type: none"> <li>- No power</li> <li>- Not plugged to power supply</li> <li>- Voltage does not match power supply</li> <li>- Fuse broken</li> </ul>	<ul style="list-style-type: none"> <li>- Plug appliance to power outlet</li> <li>- Check socket is not tripped</li> <li>- Check voltage</li> <li>- Contact customer service</li> </ul>
<b>Vibrations</b>	<ul style="list-style-type: none"> <li>- Wine chiller is not level</li> </ul>	<ul style="list-style-type: none"> <li>- Check to assure that the appliance is level</li> <li>- Adjust feet accordingly</li> </ul>
<b>Temperature inside not cold enough</b>	<ul style="list-style-type: none"> <li>- The cooler is placed too close to a heat source.</li> <li>- The bottles in the cooler were just added to the cooler</li> <li>- Bad ventilation</li> <li>- Fans don't work</li> <li>- The door is not closed tightly or opened too frequently or for too long time</li> <li>- The door gasket does not seal properly.</li> <li>- Abnormal voltage</li> <li>- High ambient temperature</li> </ul>	<ul style="list-style-type: none"> <li>- Keep the cooler away direct sunlight or other heat sources</li> <li>- Give it time for the bottles to cool to the desired temperature</li> <li>- Place the cooler in the area with good ventilation do not obstruct the fans</li> <li>- Fan may need to be replaced. Please contact customer service</li> <li>- Change the gasket</li> <li>- Maintain door closed for an extended period</li> <li>- Make sure the room is not more than 30°F above the target temperature</li> </ul>
<b>Door will not close</b>	<ul style="list-style-type: none"> <li>- Wine cooler is not level</li> <li>- The door is not installed properly</li> <li>- The gasket is dirty, shifted or damaged</li> <li>- The shelves are not positioned correctly</li> <li>- Content in the appliance is preventing door from closing</li> </ul>	<ul style="list-style-type: none"> <li>- Check to assure that the wine cooler is level, adjust feet accordingly</li> <li>- Check the gaskets</li> <li>- Check shelves and, rearrange protruding bottles</li> </ul>
<b>LED Light does not work</b>	<ul style="list-style-type: none"> <li>- Not plugged in</li> <li>- Fuse broken</li> <li>- LED lights are broken</li> <li>- The light button is "OFF"</li> </ul>	<ul style="list-style-type: none"> <li>- Plug in appliance</li> <li>- Check socket is not tripped</li> <li>- Press the light button ON</li> </ul>

<p><b>The compressor starts and stops frequently</b></p>	<ul style="list-style-type: none"> <li>- The external temperature is too hot</li> <li>- More bottles in the cellar than suggested</li> <li>- Cellar has not been properly installed</li> <li>- Door is not properly closed</li> <li>- Appliance is opened frequently</li> </ul>	<ul style="list-style-type: none"> <li>- Make sure the room is not more than 30°F above the target temperature</li> <li>- Only fill the cooler with the maximum number of bottles suggested</li> <li>- Follow proper installation guidelines as provided</li> <li>- Check that the door always closes properly</li> <li>- Only open appliance when necessary</li> </ul>
<p><b>Appliance makes a lot of noise</b></p>	<ul style="list-style-type: none"> <li>- The appliance is not level</li> <li>- Fan may be damaged</li> </ul>	<ul style="list-style-type: none"> <li>- Adjust feet accordingly</li> <li>- Fix or replace the fan</li> </ul>

**NOTE:**

- The rattling noise comes from the flow of the refrigerant and is normal.
- At the end of a cooling cycle, you can hear the noise of water circulating.
- Expansion and contraction of the internal walls may cause a cracking sound.



# WARRANTY

---

We suggest that you complete and return the enclosed Product Registration Card promptly to facilitate verification of the date of original purchase. However, return of the Product Registration Card is not a condition of these warranties. You can also fill out this warranty card online, at the following address: [www.KALORIK.com](http://www.KALORIK.com)

This KALORIK product is warranted in the U.S.A. and Canada for 1 year from the date of purchase against defects in material and workmanship. This warranty is not transferable. Keep the original sales receipt. Proof of purchase is required to obtain warranty performance.

During this period, if the KALORIK product, upon inspection by KALORIK, is proven defective, it will be repaired or replaced, at Kalorik's option, without charge to the customer. If a replacement product is sent, it will carry the remaining warranty of the original product.

This warranty does not apply to any defect arising from a buyer's or user's misuse of the product, negligence, failure to follow KALORIK instructions noted in the user's manual, use on current or voltage other than that stamped on the product, wear and tear, alteration or repair not authorized by KALORIK, or use for commercial purposes. There is no warranty for glass parts, glass containers, filter basket, blades and agitators, and accessories in general. There is also no warranty for parts lost by the user.

ANY WARRANTY OF MERCHANTABILITY OR FITNESS WITH RESPECT TO THIS PRODUCT IS ALSO LIMITED TO THE ONE YEAR LIMITED WARRANTY PERIOD.

Some states do not allow limitation on how long an implied warranty lasts or do not allow the exclusion of incidental or consequential damages, so the above limitations may not apply to you. This warranty gives you specific legal rights, and you may also have other rights which vary from state to state.

If the appliance should become defective within the warranty period and more than 30 days after date of purchase, do not return the appliance to the store: often, our Customer Service Representatives can help solve the problem without having the product serviced. If servicing is needed, a Representative can confirm whether the product is under warranty and direct you to the nearest service location.

If this is the case, bring the product, or send it, postage prepaid by the user (all Kalorik customers are responsible for the initial shipment back to the warranty center), along **with proof of purchase** and a **return authorization number** indicated on the outer package, given by our Customer Service Representatives. Send to the authorized KALORIK Service Center (please visit our website at [www.KALORIK.com](http://www.KALORIK.com) or call our Customer Service Department for the address of our authorized KALORIK Service Center).

When sending the product, please include a letter explaining the nature of the claimed defect.

If you have additional questions, please call our Customer Service Department (please see below for complete contact information), Monday through Thursday from 9:00am - 5:00pm (EST) and Friday from 9:00am - 4:00pm (EST). Please note hours are subject to change.

If you would like to write, please send your letter to:

**KALORIK Customer Service Department**

Team International Group of America Inc.  
16175 NW 49<sup>th</sup> Avenue  
Miami Gardens, FL 33169 USA

Or call:

Toll Free: +1 888-521-TEAM / +1 888-KALORIK

**Only letters can be accepted at this address above. Shipments and packages that do not have a return authorization number will be refused.**

# IMPORTANTES MEDIDAS DE PRECAUCIÓN

---

**Cuando use algún aparato eléctrico siempre debe seguir las precauciones básicas de seguridad incluyendo las siguientes:**

❑ **LEER INSTRUCCIONES EN DETALLE**

- ❑ Después de haber sacado la bodega de su embalaje, asegúrese que este en buen estado. En caso de duda, no lo utilice y contacte a un servicio calificado competente.
- ❑ Bolsas de plástico, clavos, etc. deben mantenerse fuera del alcance de los niños.
- ❑ Antes de utilizar el aparato, compruebe que el voltaje de la red eléctrica coincide con el voltaje del aparato.
- ❑ No deje el aparato sin vigilancia durante uso.
- ❑ No deje el aparato sin vigilancia cuando saque bebidas o cuando las guarde en la bodega. Mantener fuera del alcance de los niños o de personas incompetentes.
- ❑ De vez en cuando revise el cable por daños. Nunca use el electrodoméstico si el cable o el artefacto muestra signos de daños.
- ❑ Nunca mueva el aparato tirando del cable. Asegúrese de que el cable no pueda quedar atrapado de ninguna manera. No enrolle el cable alrededor del aparato y no lo doble. Mantenga el cable de alimentación alejado de fuentes de calor.
- ❑ Utilice únicamente el electrodoméstico para fines domésticos y de la manera indicada en estas instrucciones.
- ❑ Si el cable se daña, debe ser reemplazado por un servicio calificado.
- ❑ Nunca use el aparato cerca de superficies calientes ni a la luz del sol.
- ❑ Nunca use el aparato afuera y siempre colóquelo en un ambiente seco.
- ❑ Coloque el aparato sobre una mesa o superficie plana para evitar su caída. Asegúrese de que haya al menos un espacio de 12 cm / 5 pulg. A los lados; y 12 cm / 5 pulg. de espacio libre en la parte posterior del enfriador, para permitir una ventilación adecuada. Las unidades de cocina (armarios) deben estar a una distancia mínima de 5 cm / 2 pulgadas del dispositivo para garantizar una ventilación adecuada. Mantenga las aberturas de ventilación libres de obstrucciones.
- ❑ No coloque ningún otro objeto encima del aparato.

- ❑ Nunca use accesorios que no sean recomendados por el fabricante. Pueden constituir un peligro para el usuario y pueden dañar el dispositivo.
- ❑ Enchufe el aparato directamente a la toma de corriente; no use ningún cable de extensión o múltiples tomas de corriente.
- ❑ Este enfriador está diseñado para almacenar y refrescar bebidas. No almacene alimentos perecederos, medicamentos u otros productos médicos.
- ❑ No coloque bebidas calientes en el aparato, pero deje que se enfríen a temperatura ambiente antes.
- ❑ Cierre la puerta del refrigerador inmediatamente después de colocar cualquier elemento para que la temperatura interior no aumente dramáticamente.
- ❑ Cuando lo coloque o mueva el artefacto, asegúrese de que no esté en posición horizontal o que haya disminuido a menos de 45 ° o esté volteado boca abajo.
- ❑ Si observa algún tipo de daño en el aparato, desenchúfelo inmediatamente y contacte a un servicio calificado.
- ❑ Todas las reparaciones deben ser realizadas por un servicio calificado.
- ❑ Para reducir el riesgo de incendio, reemplace solo con el mismo tipo de fusible.
- ❑ Desenchufe el aparato antes de limpiarlo o cuando no lo use.
- ❑ Para evitar el riesgo de que los niños queden atrapados, deje los estantes en su lugar para que los niños no puedan trepar fácilmente incluso cuando el electrodoméstico esté en uso de rutina o no se use en el hogar. Antes de deshacerse de su enfriador de vino: quite la puerta y deje los estantes en su lugar para que los niños no puedan subir fácilmente al interior.
- ❑ Evite la luz solar directa y la alta temperatura.

**PRECAUCIÓN: ¡se usa refrigerante inflamable! Cuando manipule, mueva y use el enfriador, asegúrese de evitar dañar el tubo de refrigerante o aumentar el riesgo de una fuga.**

- ❑ Nunca limpie el aparato con fluidos inflamables. Los humos pueden crear un riesgo de incendio o explosión.
- ❑ No almacene ni use gasolina u otros vapores y líquidos inflamables cerca de este o cualquier otro aparato. Los humos pueden crear un riesgo de incendio o explosión.

- ❑ No almacene sustancias explosivas como aerosoles con propelente inflamable en este artefacto.

# GUARDE LAS INSTRUCCIONES USO DOMÉSTICO SOLAMENTE

Ahorre tiempo y dinero. Antes de llamar al servicio técnico, consulte la sección de solución de problemas al final de este manual. Enumera las causas de algunos problemas comunes que puede corregir usted mismo.

**PRECAUCIÓN:** Los cambios o modificaciones a esta unidad no aprobados expresamente por el fabricante podrían anular la autoridad del usuario para operar el equipo.

**ADVERTENCIA – RIESGO DE INCENDIO O EXPLOSIÓN. REFRIGERANTE INFLAMABLE UTILIZADO. CONSULTE LA GUÍA DEL USUARIO ANTES DE INTENTAR REPARAR ESTE PRODUCTO. TODAS LAS PRECAUCIONES DE SEGURIDAD DEBEN SEGUIRSE.**

## INSTRUCCIONES PARA LA TOMA DE TIERRA

---

Para su seguridad personal, este electrodoméstico debe estar conectado a tierra. Este electrodoméstico está equipado con un cable de suministro de energía que tiene un enchufe de tres patas con conexión a tierra. Para minimizar el posible riesgo de electrocución, el cable debe enchufarse a un receptáculo de pared de 3 patas, conectado a tierra, de acuerdo con la última edición ANSI / NFPA 70 del Código Eléctrico Nacional y todos los códigos y ordenanzas locales.

Si no se dispone de un receptáculo de pared de acoplamiento, es responsabilidad personal y obligación del cliente instalar un receptáculo de pared de 3 patas debidamente conectado a tierra instalado por un electricista calificado,

## DATOS TECNICOS

<b>Tipo de unidad</b>	Vinoteca Independiente	<b>Sistema de enfriamiento</b>	A presión
<b>Capacidad de Botella</b>	Approx. 33	<b>Dirección de Venteo</b>	Bilateral
<b>Dimensión del Producto</b>	850×480×430 mm 33.46×18.90×16.93 in	<b>Cantidad de Ventiladores</b>	1 PCS
<b>Volumen Interno</b>	3.15cu. ft. 89.19 L	<b>Material de Estantería</b>	Estantes de madera
<b>Tipo de Control</b>	Control a boton	<b>Estantes Extraíbles</b>	SI
<b>Material de la Puerta</b>	Acero inoxidable, vidrio, plástico	<b>Cantidad de Estantes</b>	5 Estantes + 1 Medio Estante
<b>Color de Puerta</b>	Acero	<b>Iluminación</b>	SI
<b>Numero de Puertas</b>	1	<b>Tipo de bombilla</b>	LED
<b>Puerta Reversible</b>	NO	<b>Cantidad de Bulbos</b>	1
<b>Tipo de Vidrio</b>	Vidrio Templado	<b>Voltaje</b>	110-120V
<b>Acabado de Vidrio</b>	Gris Tintado	<b>Certificado(s)</b>	ETL/CEC
<b>Zonas de Temperatura</b>	Zona Unica	<b>Cable de alimentación</b>	70 pulgadas
<b>Rangos de Temperatura</b>	5-18°C 41-64°F		

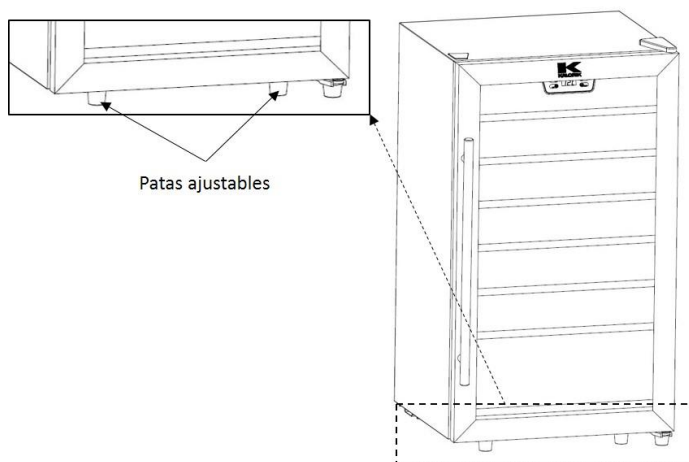
**NOTA:** Este electrodoméstico no es un refrigerador estándar. La capacidad máxima de enfriamiento es alrededor de 30 grados F (15 grados C) por debajo de la temperatura ambiental.

## COLOCAR EL ENFRIADOR DE VINO

---

Para obtener los mejores resultados, use las patas ajustables para nivelar el enfriador de vino. Esto le permitirá estar perfectamente horizontal, y permitirá la estabilidad.

Las patas ajustables están ubicadas en la base del aparato en el área frontal. Consulte la imagen a continuación para identificar los dos (2) pies ajustables marcados con flechas. Gire las patas hacia la derecha o a la izquierda para ajustar la altura y asegurar el equilibrio y nivelación del dispositivo.



**PRECAUCIÓN: No utilice como una unidad incorporada. ¡Uso independiente solamente!**

## INSTALAR LA MANIJA

---

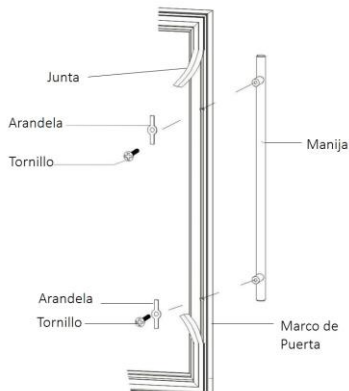
Este mini enfriador incluye un mango de acero inoxidable para instalar, siga las instrucciones a continuación:

- 1) Retire la junta de la puerta directamente detrás de la ubicación designada del mango: puede ver dos (2) orificios con tornillos colocados previamente para una fácil instalación. La junta se desplaza a mano, no se necesitan herramientas.

- 2) Instale la manija firmemente en la parte delantera de la puerta, utilizando los tornillos proporcionados.

**ADVERTENCIA: No apriete demasiado para evitar daños a la manija y al marco de la puerta).**

- 3) Reemplace la junta de la puerta a su posición original.



## OPERACIÓN

**PRECAUCIÓN: antes de conectar el aparato a una fuente de alimentación eléctrica, déjelo reposar durante aproximadamente 4 horas. Esto reducirá la posibilidad de mal funcionamiento en el sistema de enfriamiento debido a la manipulación del transporte.**

- Antes de su uso, limpie el aparato a fondo, especialmente dentro de la cavidad (consulte Limpieza y mantenimiento).
- Reorganice los estantes en la cavidad correctamente si no están colocados correctamente.
- Asegúrese de que el voltaje en su hogar sea compatible con el aparato.
- Coloque el aparato en un lugar fresco, en una superficie estable cerca de un tomacorriente de la pared, con suficiente espacio libre en todos los lados para permitir una ventilación adecuada.
- Evite espacios húmedos y húmedos para almacenar o usar electrodomésticos.

**ADVERTENCIA: No almacene ni instale el aparato al aire libre**

**ADVERTENCIA: ¡No intente instalar el aparato en una unidad incorporada!**

- Conecte el aparato a una toma de corriente con conexión a tierra.
- Una vez conectado a una fuente de alimentación, los ventiladores comenzarán a girar y el enfriador de vino comenzará a enfriarse. El enfriador necesitará hasta una hora y media para alcanzar 15 ° C / 60 ° F y hasta 4 horas para alcanzar la temperatura establecida como estándar de fábrica.

**NOTA: La temperatura interna del enfriador de vino depende de la temperatura ambiente exterior. Para alcanzar las temperaturas mínimas indicadas a continuación, el electrodoméstico debe ubicarse en el interior de una habitación en la que la temperatura ambiente sea inferior a 90 ° F / 32 ° C.**

Ajustes de temperatura aplicables y sugeridas cuando se almacena principalmente un tipo de vino:


Vino Tinto	58°F - 64°F	14°C – 18°C
Blanco / Rosado / Vino Seco	48°F - 58°F	9°C – 14°C
Vinos Espumosos	45°F - 48°F	7°C – 9°C






## CONFIGURACION DE TEMPERATURA



El aparato es para almacenamiento de vino con temperatura de 41 ° F a 64 ° F (5 ° C a 18 ° C). La pantalla digital muestra la temperatura actual del interior del refrigerador.

La temperatura viene ajustada de fábrica cuando la bodega está fuera de la línea de ensamblaje. La temperatura del enfriador de vino se puede configurar presionando los botones de temperatura "arriba" y "abajo" de temperatura de la siguiente manera:

- 1) Cuando la fuente de poder está conectada, el sistema de enfriamiento comenzará a funcionar.
- 2) Para encender o apagar el dispositivo, presione el botón  durante tres (3) segundos. Pitará para confirmar.

- 3) Presione el botón  para encender o apagar la luz dentro del aparato.
- 4) La temperatura se establece en un cierto nivel de temperatura, lo que significa que cuando la temperatura interna alcanza el punto de ajuste, el artefacto dejará de enfriar, de modo que la temperatura en el gabinete se eleve gradualmente.
- 5) La temperatura se muestra en Fahrenheit (°F) entre 41° y 64°F. Para cambiar la visualización de temperatura de Fahrenheit a Celsius, presione los botones  y  juntos durante tres (3) segundos. Un pitido confirmará el cambio.
- 6) Para establecer la temperatura deseada, presione el botón  para temperatura más alta o presione el botón para  configurar la temperatura más baja. La temperatura aumentará / disminuirá en 1 grado con cada presión del botón.
- 7) Cuando la temperatura interior aumenta por encima del punto de ajuste, la refrigeración se reanuda hasta alcanzar este punto de ajuste, la bodega entra en los ciclos de enfriamiento.

**NOTE:**

- Este enfriador de vino debe colocarse sobre una superficie plana, con 12cm / 5in. espacio en cada lado en la parte posterior. Este electrodoméstico no está diseñado para ser incorporado.
- Evite colocarlo a la luz directa del sol, cerca de una fuente de calefacción o en un área sin ventilación.
- No coloque objetos pesados encima del aparato.
- Si la unidad está desenchufada, apagada o se pierde potencia, debe esperar entre 3 y 5 minutos antes de volver a encender la unidad. Si intenta reiniciar la unidad antes de este tiempo de retraso, es posible que la unidad no arranque.

## OBTENGA MÁS DE SU PRODUCTO

---

Regístrese en [www.kalorik.com](http://www.kalorik.com) en la lista de correo electrónico de Kalorik para recibir ofertas y recetas especiales, y conéctese con nosotros en las redes sociales para obtener inspiración diaria.

# LIMPIEZA

---

- Desenchufe el aparato de la toma de corriente antes de limpiarlo.
- Limpie el exterior del aparato con agua y un detergente doméstico suave. No use limpiadores abrasivos ya que pueden dañar el acabado del aparato. Enjuague bien y seque con un paño suave y limpio.
- Limpie el interior del aparato con agua tibia y bicarbonato de sodio. La solución debe ser de aproximadamente 2 cucharadas de bicarbonato de sodio a 4 tazas de agua.
- Si es necesario, retire los estantes de la cavidad deslizándolos hacia afuera; límpielos con agua y un detergente líquido suave. No coloque ninguna pieza en el lavavajillas.
- Nunca use utensilios metálicos o productos ásperos y abrasivos para limpiar el aparato.
- **NUNCA SUMERJA EL APARATO EN AGUA NI EN NINGÚN OTRO LÍQUIDO.**
- Cualquier otro servicio debe ser realizado por un representante de servicio autorizado.  
NUNCA LIMPIE EL APARATO CON FLUIDOS INFLAMABLES. Los humos pueden crear un riesgo de incendio o explosión.

# PROBLEMAS Y SOLUCIONES

Problema	Causa	Solución posible
<b>El dispositivo no funciona</b>	<ul style="list-style-type: none"> <li>- Esta apagado</li> <li>- No esta enchufado a la fuente de alimentación</li> <li>- El voltaje no coincide con el suministro de energía</li> <li>- Fusible roto</li> </ul>	<ul style="list-style-type: none"> <li>- Plug appliance to power outlet</li> <li>- Check socket is not tripped</li> <li>- Check voltage</li> <li>- Contact customer service</li> </ul>
<b>Vibraciones</b>	<ul style="list-style-type: none"> <li>- Wine chiller is not level</li> </ul>	<ul style="list-style-type: none"> <li>- Check to assure that the appliance is level</li> <li>- Adjust feet accordingly</li> </ul>
<b>Dispositivo no enfria suficiente</b>	<ul style="list-style-type: none"> <li>- The cooler is placed too close to a heat source;</li> <li>- The bottles in the cooler were just added to the cooler</li> <li>- Bad ventilation</li> <li>- Fans don't work</li> <li>- The door is not closed tightly or opened too frequently or for too long time</li> <li>- The door gasket does not seal properly.</li> <li>- Abnormal voltage</li> <li>- High ambient temperature</li> </ul>	<ul style="list-style-type: none"> <li>- Keep the cooler away direct sunlight or other heat sources</li> <li>- Give it time for the bottles to cool to the desired temperature</li> <li>- Place the cooler in the area with good ventilation do not obstruct the fans</li> <li>- Fan may need to be replaced. Please contact customer service</li> <li>- Change the gasket</li> <li>- Maintain door closed for an extended period</li> <li>- Make sure the room is not more than 30°F above the target temperature</li> </ul>
<b>Puerta no cierra</b>	<ul style="list-style-type: none"> <li>- Wine cooler is not level</li> <li>- The door is not installed properly</li> <li>- The gasket is dirty, shifted or damaged</li> <li>- The shelves are not positioned correctly</li> <li>- Content in the appliance is preventing door from closing</li> </ul>	<ul style="list-style-type: none"> <li>- Check to assure that the wine cooler is level, adjust feet accordingly</li> <li>- Check the gaskets</li> <li>- Check shelves and, rearrange protruding bottles</li> </ul>
<b>La luz LED no funciona</b>	<ul style="list-style-type: none"> <li>- Not plugged in</li> <li>- Fuse broken</li> <li>- LED lights are broken</li> <li>- The light button is "OFF"</li> </ul>	<ul style="list-style-type: none"> <li>- Plug in appliance</li> <li>- Check socket is not tripped</li> <li>- Press the light button ON</li> </ul>

<p><b>El compresor inicia y se detiene con frecuencia</b></p>	<ul style="list-style-type: none"> <li>- The external temperature is too hot</li> <li>- Too many bottles in the cellar than suggested</li> <li>- Cellar has not been properly installed</li> <li>- Door is not properly closed</li> <li>- Appliance is opened frequently</li> </ul>	<ul style="list-style-type: none"> <li>- Make sure the room is not more than 30°F above the target temperature</li> <li>- Only fill the cooler with the maximum number of bottles suggested</li> <li>- Follow proper installation guidelines as provided</li> <li>- Check that the door always closes properly</li> <li>- Only open appliance when necessary</li> </ul>
<p><b>El dispositivo hace mucho ruido</b></p>	<ul style="list-style-type: none"> <li>- The appliance is not level</li> <li>- Fan may be damaged</li> </ul>	<ul style="list-style-type: none"> <li>- Adjust feet accordingly</li> <li>- Fix or replace the fan</li> </ul>
<p><b>El dispositivo está congelado por dentro</b></p>	<ul style="list-style-type: none"> <li>- Demasiada humedad o temperatura demasiado baja dentro de la caja</li> </ul>	<ul style="list-style-type: none"> <li>- Apague la corriente y desenchufe - descongelar a mano. Conectar de nuevo la corriente cuando el hielo se haya descongelado</li> </ul>

**NOTE:**

- El ruido de traqueteo proviene del flujo del refrigerante que es normal.
- Al final de un ciclo de enfriamiento, puede escuchar el ruido del agua que circula.
- La expansión y contracción de las paredes internas puede causar un crujido.

# GARANTÍA

---

Le sugerimos rellenar y nos envíen rápidamente la Tarjeta de Registro de Producto adjunta para facilitar la verificación de la fecha de compra. Por lo tanto, la devolución de esa Tarjeta de Registro de Producto no es una condición imprescindible para la aplicación de esa garantía. Puede también rellenar dicha tarjeta de garantía en línea en la dirección siguiente: [www.KALORIK.com](http://www.KALORIK.com)

A partir de la fecha de compra, este producto KALORIK está garantizado un año contra los defectos materiales y de fabricación, en los Estados Unidos y en Canada. Esta garantía no es transferible. Conserve la prueba de compra original. Se exige una prueba de compra para obtener la aplicación de la garantía.

Durante este período, si el producto KALORIK después de una inspección por parte de KALORIK, se manifiesta defectuoso, será reparado o reemplazado, según lo que decida KALORIK, sin gastos para el consumidor. Si se envía un producto de reemplazo, se aplicará la garantía que queda del producto original.

Esta garantía no se aplica a los defectos causados por una mala utilización por parte del comprador o del usuario, o una negligencia al no respeto del manual de instrucciones KALORIK, o una utilización en un circuito eléctrico cuyo voltaje es diferente al que figura en el producto, o un desgaste normal, o modificaciones o reparaciones no autorizadas por KALORIK, o por un uso con fines comerciales. No existe garantía por las partes de cristal, jarras de cristal, filtros, cestos, cuchillas y accesorios en general. No existe tampoco garantía por las piezas perdidas por el usuario.

Toda garantía de valor comercial o de adaptabilidad a este producto está limitada a un año también.

Algunos estados no ponen límites a la duración de la garantía tácita o no autorizan la exclusión de daños y perjuicios accesorios o indirectos, por lo que puede que las restricciones anteriormente mencionadas no le sean aplicables a Usted. Esta garantía le otorga derechos legales particulares, pero usted puede tener también otros derechos que varían de un estado a otro y algunos derechos pueden variar de un estado a otro.

Si el aparato tuviera un defecto durante el periodo de garantía y / o más de 30 días después de que se compró, no devuelva el aparato en la tienda donde le compró: a menudo, nuestro Servicio al Consumidor puede ayudar

a resolver el problema sin que el producto tenga que ser reparado. Si hace falta una reparación, uno de nuestros representantes puede confirmar si el producto está bajo garantía y dirigirle al servicio post-venta más próximo.

Si fuera el caso, traiga el producto (o envíelo, correctamente franqueado) con la **prueba de compra** que mencione **el número de autorización de devolución** indicado por nuestro Servicio al Consumidor, al servicio post-venta KALORIK más próximo. (Visite nuestra web [www.KALORIK.com](http://www.KALORIK.com) o llame al Servicio al Consumidor para obtener la dirección del Servicio post-venta KALORIK exclusivo más próximo).

Si envía el producto, le rogamos añadan una carta explicando la naturaleza del defecto.

Si tiene preguntas adicionales, por favor llame al Servicio al Consumidor (véase abajo para los datos completos), de lunes a jueves, de las 9:00 a las 17:00 (EST), y el viernes de las 9:00 a las 16:00 (EST). Note que las horas pueden ser modificadas.

Si quiere escribirnos, puede hacerlo a la dirección siguiente:

**KALORIK Servicio al Consumidor**

Team International Group of America Inc.  
16175 NW 49<sup>th</sup> Avenue  
Miami Gardens, FL 33169 USA

O llame gratuitamente (U.S.A.) al +1 888-521-TEAM / +1 888-KALORIK

**Las cartas se aceptan solamente en la dirección anteriormente mencionada. Los envíos y paquetes que no tengan número de autorización de devolución serán rechazados.**

# CONSIGNES DE SÉCURITÉ

---

Pour utiliser un appareil électrique, des précautions élémentaires sont à respecter, telles que celles énumérées ci-dessous :

- ❑ **LISEZ L'ENSEMBLE DES INSTRUCTIONS.**
- ❑ Après avoir retiré la cave à vin de son emballage, vérifiez qu'il est en bon état. En cas de doute, ne l'utilisez pas et contactez le service après-vente.
- ❑ Les sacs plastiques, clous, etc. doivent être mis hors de portée des enfants.
- ❑ Avant d'utiliser l'appareil, vérifiez que la tension du réseau correspond bien à celle de l'appareil.
- ❑ Ne laissez jamais votre appareil sans surveillance lorsque celui-ci est en fonctionnement ou sous tension.
- ❑ Ne laissez jamais votre appareil sans surveillance lorsque vous mettez ou retirez des bouteilles. Ne le laissez ni à la portée des enfants ni à la portée de personnes incapables.
- ❑ Vérifiez régulièrement l'état du cordon d'alimentation de votre appareil et si le cordon ou l'appareil est endommagé de quelque façon que ce soit, n'utilisez pas l'appareil. Si le cordon d'alimentation est endommagé, il doit être obligatoirement remplacé par un service qualifié.
- ❑ Ne déplacez jamais l'appareil en tirant sur le câble. Veillez à ce que le cordon d'alimentation ne puisse être accidentellement accroché afin d'éviter toute chute de l'appareil. Évitez d'enrouler le cordon autour de l'appareil et ne le tordez pas. Assurez-vous que le cordon d'alimentation n'entre pas en contact avec une surface chaude.
- ❑ Utilisez l'appareil uniquement pour un usage domestique et comme décrit dans ce manuel.
- ❑ N'utilisez pas l'appareil près de sources de chaleur et ne l'exposez pas aux rayons du soleil.
- ❑ Veillez à ne pas utiliser l'appareil à l'extérieur et entreposez-le dans un endroit sec.
- ❑ Posez cet appareil sur une table ou un support suffisamment stable pour éviter sa chute. Assurez un espace libre de minimum 12 cm / 5 pouces sur les côtés et 12 cm à l'arrière de l'appareil, afin de permettre une circulation d'air suffisante. D'autres appareils domestiques ne doivent pas être placés à moins de 5cm / 2 pouces

de l'appareil. Gardez les ouvertures de ventilation dégagées de toute obstruction.

- ❑ Ne placez aucun objet sur l'appareil.
- ❑ Ne pas utiliser des accessoires non recommandés par le fabricant, cela peut présenter un danger pour l'utilisateur et risque d'endommager l'appareil.
- ❑ Branchez l'appareil directement sur une prise de courant. N'utilisez pas de rallonge ou de multiprise.
- ❑ Cet appareil est principalement prévu pour réfrigérer des boissons. Si toutefois vous décidez d'y mettre d'autres aliments, assurez-vous qu'il y ait une distance suffisante entre ceux-ci afin de permettre une réfrigération optimale.
- ❑ Ne mettez jamais de boissons chaudes dans l'appareil mais laissez-les d'abord refroidir jusqu'à température ambiante.
- ❑ Ne laissez pas la porte du réfrigérateur ouverte trop longtemps pour éviter que la température interne ne remonte de façon importante.
- ❑ Lorsque vous placez ou transportez l'appareil, ne l'inclinez jamais à plus de 45° et ne le renversez jamais.
- ❑ Débranchez immédiatement l'appareil si vous constatez quelque défaut que ce soit et adressez-vous à un service qualifié.
- ❑ Toute réparation doit être réalisée par un service qualifié.
- ❑ Débranchez l'appareil avant de le nettoyer ou lorsqu'il n'est pas utilisé.
- ❑ Pour éviter tout risque qu'un enfant reste coincé, laissez les étagères en place de façon que des enfants ne puissent pas rentrer dedans, même si l'appareil est en fonctionnement routinier ou ne fonctionne pas. Avant de jeter votre cave à vin : retirez la porte et laissez les étagères en place afin que les enfants ne puissent pas y rentrer.
- ❑ Évitez de l'utiliser dans une température ambiante élevée ou avec l'appareil exposé au soleil direct.

**ATTENTION :** Utilisez un réfrigérant inflammable! Lors de la manipulation, du déplacement et de l'utilisation du refroidisseur, veillez à ne pas endommager le tuyau du réfrigérant ou à augmenter le risque de fuite.

- Ne nettoyez jamais l'appareil avec des liquides inflammables. Les vapeurs peuvent créer un risque d'incendie ou d'explosion.
- Ne pas entreposer ni utiliser d'essence ou d'autres vapeurs et liquides inflammables à proximité de cet appareil ou de tout autre appareil. Les vapeurs peuvent créer un risque d'incendie ou d'explosion.

- Ne stockez pas de substances explosives telles que des aérosols contenant un agent inflammable dans cet appareil.

## **GARDEZ CES INSTRUCTIONS USAGE DOMESTIQUE UNIQUEMENT**

Economisez du temps et de l'argent. Avant d'appeler le Service Après-Vente, lisez le manuel jusqu'à la fin. Vous y trouverez des solutions pour résoudre des problèmes mineurs.

**ATTENTION : des changements ou modifications apportés à cet appareil, non approuvés par le fabricant pourraient annuler le droit qu'à l'utilisateur d'utiliser cet appareil.**

**ATTENTION - RISQUE D'INCENDIE OU D'EXPLOSION. UTILISE UN RÉFRIGÉRANT INFLAMMABLE. CONSULTER LE GUIDE D'UTILISATION. TOUTES LES PRÉCAUTIONS DE SÉCURITÉ DOIVENT ÊTRE RESPECTÉES.**

## **INSTRUCTIONS POUR LES FICHES AVEC MISE À LA TERRE**

---

Pour votre sécurité personnelle, cet appareil doit être mis à la terre. Cet appareil est équipé d'un cordon d'alimentation doté d'une fiche de mise à la terre à 3 broches. Pour minimiser les risques d'électrocution, le cordon doit être branché sur une prise murale à 3 broches, de type mise à la terre, conforme, conformément à la dernière édition du National Electrical Code ANSI / NFPA 70 et à tous les codes et règlements locaux.

Si une prise murale correspondante n'est pas disponible, c'est la responsabilité personnelle et l'obligation du client de faire installer une prise murale à 3 broches correctement mise à la terre par un électricien qualifié.

Cet appareil est équipé d'une fiche et d'un cordon permettant la mise à la terre. Dans le cas d'un court-circuit, la mise à la terre réduit les risques de chocs électriques en fournissant une porte de sortie au courant électrique. Cette fiche ne peut être introduite que d'une seule façon

dans la prise murale, qui doit être installée selon les codes électriques en vigueur et mise à la terre.

Si cette fiche ne rentre pas correctement dans la prise, contactez un électricien qualifié et reconnu. **N'essayez jamais de modifier vous-même la prise de terre ou la fiche de l'appareil.**

# DONNÉES TECHNIQUES

<b>Type</b>	Pose libre	<b>Système de réfrigération</b>	Compresseur
<b>Capacité</b>	Jusqu'à 33 bouteilles	<b>Direction de ventilation</b>	Des deux cotés
<b>Dimensions du produit</b>	850×480×430 mm 33.46×18.90×16.93 in	<b>Nombre de ventilateurs</b>	1
<b>Volume de la cavité</b>	3,15cu. ft. 89.19 L	<b>Matériel des étagères</b>	Étagères en bois
<b>Type de control</b>	Control à bouton	<b>Étagères amovibles</b>	Oui
<b>Matériel de la porte</b>	Acier inoxydable, verre, plastique	<b>Nombre d'étagères</b>	5 étagères + 1 demi étagère
<b>Couleur de la porte</b>	Acier inoxydable	<b>Éclairage</b>	Oui
<b>Nombre de portes</b>	1	<b>Type d'apoule</b>	LED
<b>Porte réversible</b>	Non	<b>Nombre d'ampoules</b>	1
<b>Type de verre</b>	Verre trempé	<b>Tension</b>	110-120V
<b>Finition du verre</b>	Verre teinté gris	<b>Certification</b>	ETL/CEC
<b>Zones de température</b>	Zone unique	<b>Cordon d'alimentation</b>	70 pouces/ 177 cm
<b>Plages de températures</b>	5-18°C 41-64°F		

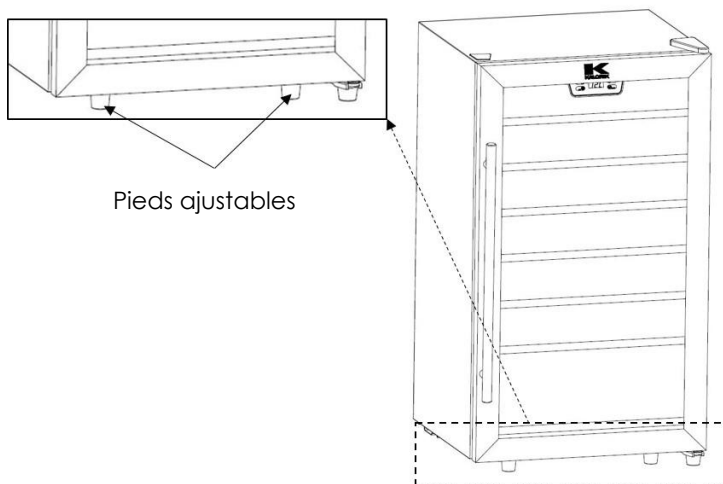
**NOTE :** Cet appareil n'est pas un réfrigérateur traditionnel. La capacité frigorifique maximale se trouve atours de 15-17 degrés Celsius (30 degrés Fahrenheit) au-dessous de la température ambiante.

## MISE EN PLACE

---

Pour une meilleure performance, utilisez les pieds ajustables en hauteur pour mettre l'appareil à niveau. Cela lui permettra de rester parfaitement horizontal pour une meilleure stabilité.

Les pieds ajustables se trouvent sous le devant de la cave à vin. Il doivent être insérés dans les trous à pieds, indiqué par une flèche dans la photo ci-dessous. Tournez le pied dans le sens des aiguilles d'une montre ou dans le sens inverse jusqu'à obtenir une horizontalité et une stabilité parfaite et ajuster la hauteur de l'appareil.



**ATTENTION : Cette cave à vin ne doit pas être encastrée ! Conçue pour être en porte libre !**

## INSTALLER LA POIGNÉE

---

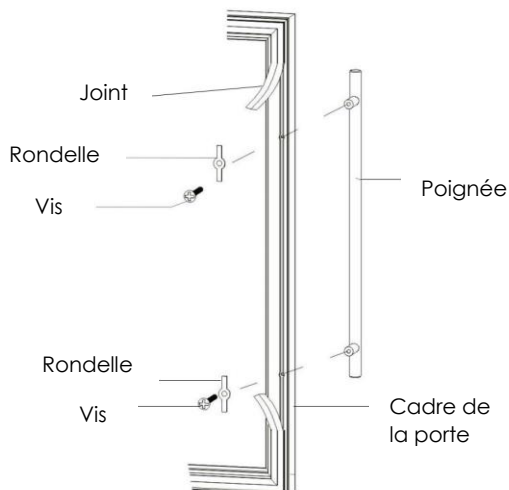
Cette cave à vin comprend une poignée en acier-inoxydable. Pour installer, suivez les instructions ci-dessous :

1. Retirez le joint de la porte directement derrière l'emplacement désigné pour la poignée - vous pouvez voir deux (2) trous avec des vis pré-placées pour une installation facile. Le joint peut être déplacé à la main, aucun outil n'est nécessaire.

2. Installez la poignée fermement sur le devant de la porte, en utilisant les vis fournies.

**AVERTISSEMENT : Ne pas trop serrer pour éviter d'endommager la poignée et le cadre de la porte.**

3. Remplacez le joint de la porte dans sa position initiale.



## UTILISATION

**ATTENTION : Avant de brancher l'appareil, nous conseillons de le laisser reposer 4 heures après déballage, pour réduire les possibilités de mal-fonction dues au transport et à la manipulation.**

- Avant l'usage, nettoyez l'appareil soigneusement, particulièrement l'intérieur (Voir : « Nettoyage et Entretien »)
- Si les accessoires ne sont pas placés correctement, repositionnez-les.
- Vérifiez que la tension du réseau corresponde bien à celle de l'appareil.
- Placez l'appareil dans un endroit frais et à l'abri de la lumière, sur une surface stable près d'une prise de courant. Laissez suffisamment d'espace tout autour de l'appareil, pour assurer une bonne ventilation.
- Évitez les espaces humides et moites pour stocker ou utiliser l'appareil.

**AVERTISSEMENT : ne pas stocker ou installer l'appareil à l'extérieur**  
**AVERTISSEMENT : n'essayez pas d'encaster l'appareil !**

- Branchez l'appareil sur une prise mise à la terre.
- Une fois l'appareil connecté, les ventilateurs vont se mettre à tourner et l'appareil commencera à refroidir. L'appareil mettra environ 1 heure et demi pour atteindre 15°C/ 60°F, et environ 4 heures pour atteindre la température standard déterminée en usine.

**Remarque** : la température intérieure de la cave à vin dépend de la température de la pièce. Pour atteindre les températures minimales indiquées ci-dessous, l'appareil doit être dans une pièce où la température est inférieure à 90°F/32°C.

Températures recommandées pour le stockage de vins :



Vins rouges	58°F - 64°F	14°C - 18°C
Blanc / Rose / Vins secs	48°F - 58°F	9°C - 14°C
Vins pétillants	45°F - 48°F	7°C - 9°C





## CONTROLE DE LA TEMPERATURE ET AFFICHAGE



L'appareil est conçu pour la conservation du vin à une température de 41 °F à 64 °F (5 °C à 18 °C). L'affichage numérique indique la température actuelle de l'intérieur de la cave à vin.

La température de la cave à vin peut être changée en pressant les boutons « + » (UP) et « - » (DOWN) comme indiqué ci-dessous.

1. Un fois que l'appareil est branché, le système de refroidissement commencera à fonctionner.
2. Pour allumer ou éteindre l'appareil, appuyez sur le bouton  pendant trois (3) secondes. Il émettra un bip pour confirmer la commande.
3. Appuyez sur le bouton  pour allumer ou éteindre la lumière à l'intérieur de l'appareil.

- 4 La température est réglée sur un certain niveau de température, ce qui signifie que lorsqu'il atteint la température cible, il arrête de refroidir ce qui signifie que la température interne va se réchauffer.
- 5 La température est affichée en degrés Fahrenheit (°F) entre 41° et 64°F. Pour changer l'affichage de la température de Fahrenheit à Celsius, appuyez simultanément sur les boutons  et  pendant trois (3) secondes. Un bip confirmera le changement.
- 6 Pour régler la température souhaitée, appuyez sur le bouton  pour une température plus élevée ou appuyez sur le bouton  pour baisser la température. La température augmente / diminue de 1 degré à chaque pression sur le bouton.
- 7 Quand la température interne dépasse un certain niveau au-dessus de la température cible, l'appareil refroidira de nouveau, et commencera des cycles de refroidissement.

Vous pouvez allumer/éteindre la lampe intérieure en appuyant brièvement sur le bouton « LIGHT » sur le panneau de contrôle. La lampe s'éteint automatiquement après 10 minutes.

#### REMARQUE :

- La cave à vin doit être placée sur une surface horizontale et plate, et avec suffisamment d'espace autour pour assurer une ventilation adéquate. Cet appareil n'est pas prévu pour être encastré.
- Placez l'appareil parfaitement à niveau pour une fonction optimale
- Ne pas placer directement au soleil, près d'une source de chaleur ou dans une zone non-ventilée.
- Ne posez pas d'objets lourds sur l'appareil.
- Si l'unité est débranchée, éteinte ou si l'alimentation est coupée, vous devez attendre 3-5 minutes avant de redémarrer l'appareil. Si vous essayez de redémarrer l'appareil avant ce délai, l'appareil peut ne pas démarrer.

## OBTENEZ PLUS DE VOTRE PRODUIT

---

Inscrivez-vous en ligne sur [www.kalorik.com](http://www.kalorik.com) sur notre liste de diffusion Kalorik pour recevoir des offres spéciales et des recettes, et suivez-nous sur les réseaux sociaux pour votre dose d'inspiration quotidienne.

# NETTOYAGE ET ENTRETIEN

---

- Débranchez l'appareil avant de le nettoyer.
- Nettoyez l'extérieur de l'appareil uniquement avec un chiffon ou une éponge humide, éventuellement avec un peu de détergent doux. N'utilisez pas d'agents abrasifs pour ne pas endommager la finition de l'appareil. Rincez et séchez l'appareil avec un chiffon propre.
- Nettoyez l'intérieur de l'appareil avec de l'eau tiède et du bicarbonate de soude. La solution devrait être d'à peu près 2 cuillères à soupe de bicarbonate de soude pour quatre tasse d'eau.
- Si nécessaire, enlevez les étagères en les glissant et nettoyez-les avec de l'eau et un peu de détergent doux. Ne les mettez pas au lave-vaisselle.
- N'utilisez jamais d'objet métallique ou de produits abrasifs pour nettoyer l'appareil. **N'IMMERGEZ JAMAIS L'APPAREIL DANS L'EAU OU DANS N'IMPORTE QUEL AUTRE LIQUIDE.**
- Toute réparation doit être réalisée par un service qualifié.

NE JAMAIS NETTOYER L'APPAREIL AVEC DES LIQUIDES INFLAMMABLES. Les vapeurs peuvent créer un risque d'incendie ou d'explosion.

# PROBLEMES ET SOLUTIONS

Problème	Cause	Solution possible
<b>Le réfrigérateur ne fonctionne pas</b>	<ul style="list-style-type: none"> <li>- Il n'y a pas de courant</li> <li>- L'appareil n'est pas branché</li> <li>- La tension ne correspond pas à l'alimentation</li> <li>- Le fusible a sauté</li> </ul>	<ul style="list-style-type: none"> <li>- Vérifiez si la fiche est bien insérée dans la prise de courant</li> <li>- Vérifiez le fusible de cette prise de courant</li> <li>- Vérifiez la tension</li> <li>- Contactez le service après-vente</li> </ul>
<b>Vibrations</b>	<ul style="list-style-type: none"> <li>- La cave à vin n'est pas droite</li> </ul>	<ul style="list-style-type: none"> <li>- La cave à vin doit être placée sur une surface horizontale et plate</li> <li>- Ajustez les pieds réglables</li> </ul>
<b>Le réfrigérateur n'atteint pas la température sélectionnée</b>	<ul style="list-style-type: none"> <li>- La cave à vin est trop près d'une source de chaleur.</li> <li>- Les bouteilles viennent juste d'être mises dans la cave à vin</li> <li>- La ventilation est mauvaise.</li> <li>- Le ventilateur ne marche pas</li> <li>- La porte du réfrigérateur a été ouverte trop fréquemment ou est restée ouverte trop longtemps.</li> <li>- Le joint ne se ferme pas correctement</li> <li>- La tension d'alimentation est anormale</li> <li>- La température ambiante est trop haute</li> </ul>	<ul style="list-style-type: none"> <li>- Placez la cave à vin à l'ombre et loin d'une source de chaleur</li> <li>- Laissez les bouteilles rafraîchir jusqu'à la température désirée</li> <li>- Placez la cave à vin en respectant les espaces libres requis autour de l'appareil.</li> <li>- Vérifiez le ventilateur</li> <li>- Ouvrez la porte uniquement pour mettre ou retirer des bouteilles. Laissez la porte fermée en autre temps.</li> <li>- Veillez à ce que l'environnement ne soit pas à plus de 30°F plus élevée que la température désirée</li> </ul>
<b>La lumière interne ne marche pas</b>	<ul style="list-style-type: none"> <li>- Il n'y a pas de courant</li> <li>- L'appareil n'est pas branché</li> <li>- Le fusible a sauté</li> <li>- Le bouton d'éclairage n'a pas été pressé</li> </ul>	<ul style="list-style-type: none"> <li>- Vérifiez si la fiche est bien insérée dans la prise de courant</li> <li>- Vérifiez le fusible de cette prise de courant</li> <li>- Appuyez sur l'interrupteur pour l'éclairage</li> </ul>

<b>La porte ne ferme pas</b>	<ul style="list-style-type: none"> <li>- La cave à vin n'est pas droite</li> <li>- La porte n'est pas installée correctement</li> <li>- Le joint est sale, déplacé ou endommagé</li> <li>- Les étagères ne sont pas dans la correcte position</li> <li>- Les contenant de l'appareil l'empêche de fermer</li> </ul>	<ul style="list-style-type: none"> <li>- La cave à vin doit être placée sur une surface horizontale et plate</li> <li>- Vérifiez le joint de la porte</li> <li>- Vérifiez les étagères et remplacez les si besoin</li> <li>- Réarranger les bouteilles protubérantes</li> </ul>
<b>Le compresseur démarre et s'arrête fréquemment</b>	<ul style="list-style-type: none"> <li>- La température extérieure est trop chaude</li> <li>- P de bouteilles dans la cave que suggéré</li> <li>- La cave n'a pas été correctement installée</li> <li>- La porte n'est pas correctement fermée</li> <li>- L'appareil est ouvert fréquemment</li> </ul>	<ul style="list-style-type: none"> <li>- Assurez-vous que la pièce ne dépasse pas 30 °F de la température cible</li> <li>- Ne remplissez le refroidisseur qu'avec le nombre maximum de bouteilles suggéré</li> <li>- Suivez les directives d'installation correctes fournies</li> <li>- Vérifiez que la porte se ferme toujours correctement</li> <li>- N'ouvrez l'appareil que si nécessaire</li> </ul>
<b>L'appareil fait beaucoup de bruit</b>	<ul style="list-style-type: none"> <li>- L'appareil n'est pas de niveau</li> <li>- Le ventilateur peut être endommagé</li> </ul>	<ul style="list-style-type: none"> <li>- Ajustez les pieds correctement</li> <li>- Réparez ou remplacez le ventilateur</li> </ul>
<b>Il y a du givre sur la porte</b>	<ul style="list-style-type: none"> <li>- Il y a trop d'humidité à l'intérieur du réfrigérateur.</li> <li>- La température interne est trop basse.</li> </ul>	<ul style="list-style-type: none"> <li>- Débranchez l'appareil, séchez l'intérieur et rebranchez l'appareil.</li> </ul>

**REMARQUE :**

- Le bruit de cliquetis provient de l'écoulement du réfrigérant, ce qui est normal.
- À la fin d'un cycle de refroidissement, vous pouvez entendre le bruit de l'eau qui circule.
- L'expansion et la contraction des parois internes peuvent provoquer un bruit de craquement.

# GARANTIE

---

Nous vous suggérons de remplir et de nous renvoyer rapidement la Carte d'Enregistrement Produit ci-jointe afin de faciliter la vérification de la date d'achat. Cependant, le renvoi de la Carte d'Enregistrement Produit n'est pas une condition indispensable à l'application de la présente garantie. Vous pouvez aussi remplir cette carte de garantie en ligne à l'adresse suivante : **[www.KALORIK.com](http://www.KALORIK.com)**.

A partir de la date d'achat, ce produit KALORIK est garanti un an, sur le territoire des Etats-Unis et au Canada, contre les défauts matériels et de fabrication. Cette garantie n'est pas transférable. Conservez la preuve d'achat originelle. Une preuve d'achat est exigée pour obtenir l'application de la garantie.

Durant cette période, le produit KALORIK qui, après inspection par KALORIK, s'avère défectueux, sera réparé ou remplacé, au choix de KALORIK, sans frais pour le consommateur. Si un produit de remplacement est envoyé, c'est la garantie restante du produit originel qui s'appliquera.

La présente garantie ne s'applique pas aux défauts dus à une mauvaise utilisation de la part de l'acheteur ou de l'utilisateur, à une négligence, au non-respect des consignes du manuel d'utilisation KALORIK, à une utilisation sur un circuit électrique au voltage différent de celui renseigné sur le produit, à une usure normale, à des modifications ou réparations non autorisées par KALORIK, ou par un usage à des fins commerciales. Il n'existe pas de garantie pour les parties en verre, récipients en verre, filtres, paniers, lames et accessoires en général. Il n'existe également pas de garantie pour les pièces perdues par l'utilisateur.

Toute garantie de valeur commerciale ou d'adaptabilité à ce produit est également limitée à la garantie d'un an.

Certains états ne limitent pas la longueur de la garantie tacite ou n'autorisent pas l'exclusion de dommages-intérêts accessoires ou indirects, les restrictions ci-dessus peuvent donc ne pas s'appliquer à vous. Cette garantie vous donne des droits légaux particuliers, et certains droits peuvent varier d'un état à l'autre.

Si l'appareil devait présenter un défaut durant la période de garantie et plus de 30 jours après l'achat, ne ramenez pas l'appareil au magasin :

souvent, notre Service Clientèle peut aider à résoudre le problème sans que le produit ne doive être réparé. Si une réparation est nécessaire, un représentant peut confirmer si le produit est sous garantie et vous rediriger vers notre centre de réparation.

Le cas échéant, ramenez le produit (ou envoyez-le, postage prépayé), ainsi qu'**une preuve d'achat**, en mentionnant **le numéro d'autorisation de retour**, indiqué par notre service clientèle, au service après-vente KALORIK agréé (visitez notre site internet [www.KALORIK.com](http://www.KALORIK.com) ou appelez notre département Service Clientèle pour obtenir l'adresse du service après-vente KALORIK agréé).

Si vous envoyez le produit, veuillez y joindre une lettre expliquant la nature du défaut.

Si vous avez des questions complémentaires, veuillez appeler notre département Service Clientèle (voyez plus bas pour les coordonnées complètes), du Lundi au Jeudi de 9h à 17h (EST) et le Vendredi de 9h à 16h (EST). Veuillez noter que les heures sont sujettes à modification.

Si vous souhaitez nous écrire, adressez votre courrier à :

**KALORIK Customer Service Department**

Team International Group of America Inc.

16175 NW 49<sup>th</sup> Avenue

Miami Gardens, FL 33169 USA

Ou appelez (Gratuitement des Etats-Unis): +1 888-521-TEAM ou +1 888-KALORIK.

**Seules les lettres seront acceptées à l'adresse ci-dessus. Les envois et colis n'ayant pas de numéro d'autorisation de retour seront refusés.**

# NOTE/NOTA/REMARQUE

---

**For questions please contact:  
Para preguntas contacte a:  
Pour toute question, veuillez contacter :**

**KALORIK Customer Service /Servicio al  
Cliente/ Service Après-Vente**

Team International Group of America Inc.  
16175 NW 49th Avenue  
Miami Gardens, FL 33014 USA



**Model WCL 43915**

*User manual content and recipes courtesy of Team International Group – Do not reproduce without consent of the authors - All rights reserved.*

*Contenido del manual del usuario y usuario y recetas cortesía de Team International Group- No reproducir sin el consentimiento de los autores- Todos los derechos reservados.*

*Contenu du guide d'utilisation et recettes fournis par Team International Group - Ne pas reproduire sans le consentement des auteurs - Tous droits réservés.*

**KALORIK®**

Since 1930