

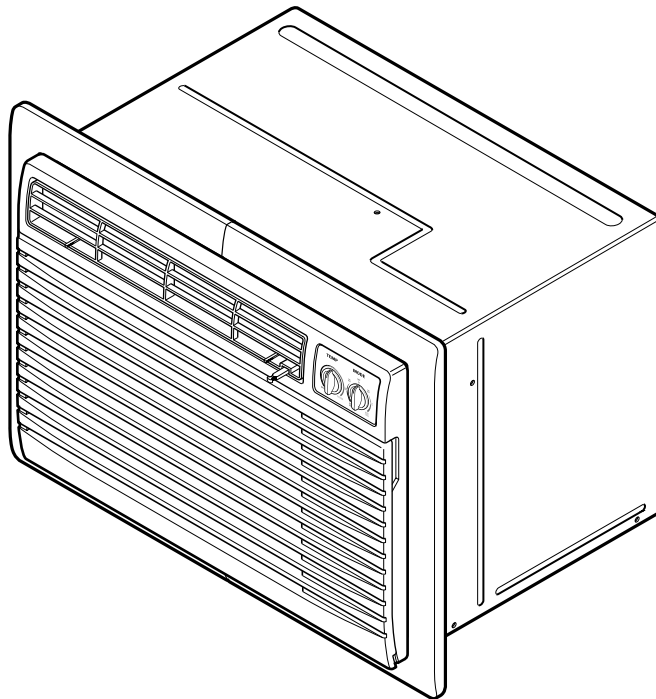
Owner's Manual
Manual del Propietario



THROUGH-THE-WALL AIR CONDITIONER

ACONDICIONADO DE AIRE A TRAVES DE PARED

Model, Modelo 580.75119



ENGLISH

ESPAÑOL

Distributed by Sears, Roebuck and Co., Hoffman Estates, IL 60179
www.sears.com

TABLE OF CONTENTS

| | | | |
|--------------------------------------|----|---------------------------------------|------------|
| TABLE OF CONTENTS | 2 | Features | 13 |
| WARRANTY | 2 | Using the Air Conditioner | 13 |
| SAFETY | 3 | Air Conditioner Features | 14 |
| Important Safety Instructions | 3 | MAINTENANCE | 16 |
| ELECTRICAL REQUIREMENTS | 4 | Air Filter Cleaning | 16 |
| INSTALLATION | 5 | Air Conditioner Cleaning | 16 |
| Installation Requirements | 5 | How to Remove the Front Grille | 16 |
| Installation | 6 | How to Replace the Front Grille | 16 |
| Procedure A | 7 | TROUBLESHOOTING | 17 |
| Procedure B | 8 | Before Calling for Service | 17 |
| Procedure C | 10 | ESPAÑOL | 18 |
| OPERATION | 12 | MASTER PROTECTION | |
| How and Why | 12 | AGREEMENTS | 35 |
| Normal Sounds | 12 | SERVICE NUMBERS | Back Cover |
| Capacity and Running Time | 12 | | |

WARRANTY

FULL ONE YEAR WARRANTY ON THROUGH-THE-WALL AIR CONDITIONER

For one year from the date of purchase, when this air conditioner is operated and maintained for normal room cooling according to the instructions in this owner's manual, Sears will repair this air conditioner, free of charge, if defective in material or workmanship.

WARRANTY SERVICE IS AVAILABLE BY CONTACTING SEARS SERVICE AT 1-800-4-MY-HOME®.

This warranty applies only while this product is in use in the United States.

This warranty gives you specific legal rights, and you may also have other rights which vary from state to state.

Distributed by Sears, Roebuck and Co., Hoffman Estates, IL 60179

SAFETY

IMPORTANT SAFETY INSTRUCTIONS

The safety instructions below will tell you how to use your room air conditioner to avoid harm to yourself or damage to your ROOM AIR CONDITIONER.

⚠️ WARNING FOR YOUR SAFETY

Do not store or use gasoline or other flammable vapors and liquids in the vicinity of this or any other appliance. Read product labels for flammability and other warnings.

⚠️ WARNING PREVENT ACCIDENTS

To reduce the risk of fire, electrical shock, or injury to persons when using your air conditioner, follow basic precautions, including the following:

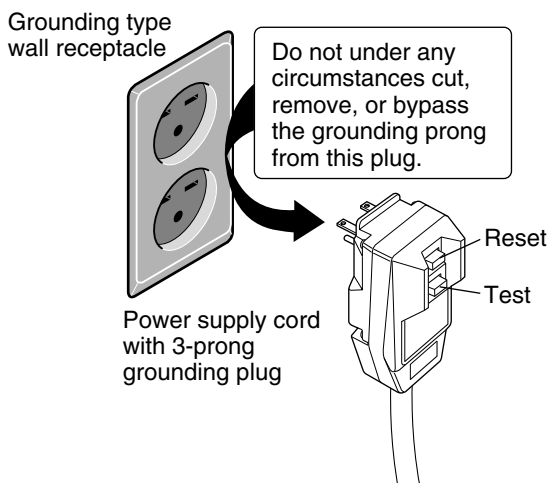
- Be sure the electrical service is adequate for the model you have chosen.
- If the air conditioner is to be installed in a window, you will probably want to clean both sides of the glass first. If the window is a triple-track type with a screen panel included, you may want to remove the screen completely before installation.
- Be sure the air conditioner has been securely and correctly installed according to the instructions in this manual.
Save this manual and installation instructions for possible future use in removing or reinstalling this unit.
- Use gloves when handling the air conditioner. Be careful to avoid cuts from sharp metal fins on front and rear coils.

⚠️ WARNING ELECTRICAL INFORMATION

The complete electrical rating of your new room air conditioner is stated on the serial plate. Refer to the rating when checking the electrical requirements.

- Be sure the air conditioner is properly grounded. To minimize shock and fire hazards, proper grounding is important. The power cord is equipped with a three-prong grounding plug for protection against shock hazards.
- Your air conditioner must be plugged into a properly grounded wall receptacle. If the wall receptacle you intend to use is not adequately grounded or protected by a time delay fuse or circuit breaker, have a qualified electrician install the proper receptacle.
- Do not run air conditioner with packing sheet of the back of the sleeve, and packing corner and blue tape of the air conditioner. This could result in mechanical damage within the air conditioner.
- **Do not use an extension cord or an adapter plug.**

⚠️ WARNING Avoid fire hazard or electric shock. Do not use an extension cord or an adapter plug. Do not remove any prong from the power cord.



ENERGY SAVING IDEAS

- The capacity of the room air conditioner must fit the room size for efficient and satisfactory operation.
- Install the room air conditioner on the shady side of your home. A window that faces north is best because it is shaded most of the day.
- Do not block air conditioner flow inside with blinds, curtains, or furniture; or outside with shrubs, enclosures, or other buildings.
- Close the floor and wall registers and the fireplace damper so cool air does not escape up the chimney or into the duct work.
- Keep blinds and drapes in other windows closed during the sunniest part of the day.
- Clean the air filter as recommended in the MAINTENANCE section of this manual.
- Proper insulation and weather stripping in your home will help keep warm air out and cool air in.
- External house shading with trees, plants or awnings will help reduce the air conditioner's work load.
- Operate heat producing appliances such as ranges, washers, dryers, and dishwashers during the coolest part of the day.

ELECTRICAL REQUIREMENTS

OBSERVE ALL LOCAL CODES AND ORDINANCES.

DO NOT, UNDER ANY CIRCUMSTANCES, REMOVE THE POWER SUPPLY CORD GROUND PRONG.

ELECTRICAL GROUND IS REQUIRED ON THIS APPLIANCE.

208/230-volt 60 Hz and 115-volt 60 Hz, AC only, 15A fused and properly grounded electrical supply is required. A time delay fuse or time delay circuit breaker is recommended. Use a dedicated circuit, serving only this appliance.

DO NOT USE AN EXTENSION CORD.

RECOMMENDED GROUNDING METHOD

For your personal safety, this appliance must be grounded. This appliance has a power supply cord with a 3-prong grounding plug. To minimize possible shock hazard, the cord must be plugged into a mating grounding type wall receptacle and grounded in accordance with the National Electrical Code (ANSI/NFPA 70) latest edition and all local codes and ordinances. If a mating wall receptacle is not available, it is the personal responsibility and obligation of the customer to have a properly grounded 3-prong wall receptacle installed by a qualified electrician.

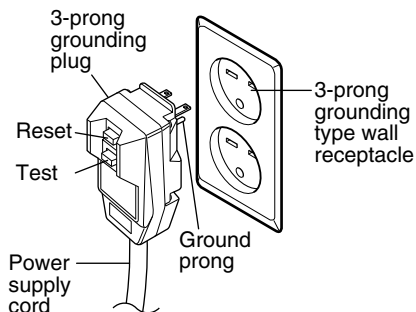
| 115V~ | 230V~ | |
|-------|-------|--|
| | | <p>Power cord may include a current interrupter device. A test and reset button is provided on the plug case. The device should be tested on a periodic basis by first pressing the TEST button and then the RESET button. If the TEST button does not trip or if the RESET button will not stay engaged, discontinue use of the air conditioner and contact a qualified service technician.</p> |

NOTE: The shape may be different according to its model.

| Use Wall Receptacle | Power Supply |
|--|--|
| <p>Standard 125V, 3-wire grounding receptacle rated 15A, 125V AC</p> | <p>Use 15 AMP. time delay fuse or 15 AMP. circuit breaker.</p> |
| <p>Standard 250V, 3-wire grounding receptacle rated 15A, 250V AC</p> | |
| <p>Standard 250V, 3-wire grounding receptacle rated 20A, 250V AC</p> | <p>Use 20 AMP. time delay fuse or 20 AMP. circuit breaker.</p> |

⚠ WARNING

Electrical Shock Hazard
 Plug into a grounded 3 prong outlet.
 Do not remove ground prong.
 Do not use an adapter.
 Do not use an extension cord.
 Failure to follow these instructions can result in death, fire, or electrical shock.



(208/230-volt 60 Hz)



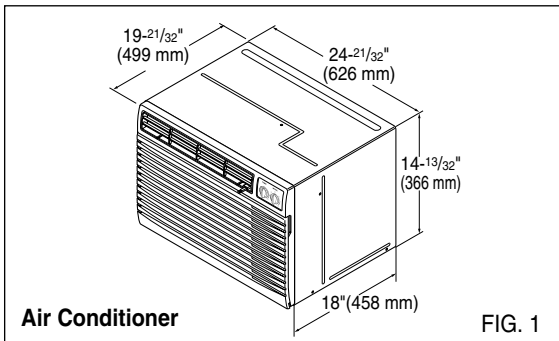
(115-volt 60 Hz)

INSTALLATION

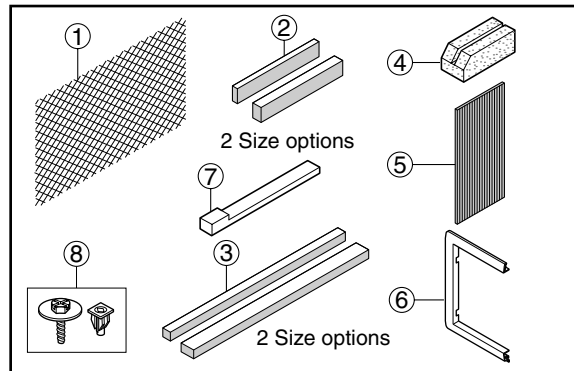
INSTALLATION REQUIREMENTS

If you use an existing wall sleeve, you should measure its dimensions. Install the new air conditioner according to these installation instructions to achieve the best performance. All wall sleeves used to mount the new air conditioner must be in good structural condition and have a rear grille to securely attach the new air conditioner. (FIG. 1)

With the Kenmore folding sleeve, you can maintain the best performance of the new air conditioner.



INSTALLATION HARDWARE



| ITEM | NAME OF PARTS | Q'TY |
|------|--------------------------------|------|
| ① | PLASTIC GRILLE | 1 |
| ② | HORIZONTAL INSULATION STRIPS | 2 |
| ③ | AROUND INSULATION STRIPS | 2 |
| ④ | SUPPORT BLOCK | 2 |
| ⑤ | BAFFLE | 1 |
| ⑥ | TRIM FRAME | 2 |
| ⑦ | SHIM | 2 |
| ⑧ | PLASTIC NUTS AND WASHER SCREWS | 4 |

ELECTRICAL SERVICE

Check your available electrical service. The power supply available must be the same as that shown on the unit nameplate (found on left side of cabinet).

All models are equipped with a 3-prong service plug to provide proper service and safe positive grounding. Do not change plug in any way. Do not use an adapter plug. If your present wall outlet does not match your plug, call a qualified electrician to make the necessary corrections. SAVE CARTON for storage and this OWNER'S MANUAL for future reference. The carton is the best way to store unit during winter or when not in use.



CAUTION

To avoid risk of personal injury, property damage, or product damage due to the weight of this device and sharp edges that may be exposed:

- Air conditioners covered in this manual pose an excessive weight hazard. Two or more people are needed to move and install the unit. To prevent injury or strain, use proper lifting and carrying techniques when moving unit.
- Carefully inspect location where air conditioner will be installed. Be sure it will support the weight of the unit over an extended period of time.
- Handle air conditioner with care. Wear protective gloves whenever lifting or carrying the unit. AVOID the sharp metal fins of front and rear coils.
- Make sure air conditioner does not fall during installation.

REQUIRED TOOLS:

- Tight Fitting gloves
- Standard screwdriver
- Phillips screwdriver
- Pliers
- Sharp knife
- 3/8-inch open end wrench or adjustable wrench
- 1/4-inch hex socket and ratchet
- Tape measure
- Electric drill
- 1/4-inch drill bit

INSTALLATION

INSTALLATION

CAUTION

We strongly recommend the removal of the old wall sleeve and the installation of a new Kenmore folding Wall Sleeve.

If you decide to keep the existing wall sleeve, you have to redirect the louvers at the back of the wall sleeve illustration. The use of pliers is recommended. If you DO NOT redirect, you run the risk of poor performance or product failure. This is not covered under the terms of the Kenmore warranty.

- Pick a location which will allow the conditioned air to blow into the area you want. Good installation with special attention to the proper position of the unit will lessen the chance that service will be needed.

ITEMS IN INSTALLATION HARDWARE

You may not need all parts in the kit. Discard unused parts

| ITEM (inches) | Qty. | |
|------------------------------|---|---|
| Plastic grille | 26 ³ / ₄ x 16 ¹ / ₂ | 1 |
| Horizontal Insulation Strips | 1 ³ / ₈ x 5 ⁵ / ₈ x 27 ³ / ₁₆ | 1 |
| | 1 ³ / ₈ x 1 ³ / ₈ x 27 ³ / ₁₆ | 1 |
| Around Insulation Strips | 1 ³ / ₈ x 3 ³ / ₄ x 61 ¹ / ₂ | 1 |
| | 1 ³ / ₈ x 1 ³ / ₈ x 61 ¹ / ₂ | 1 |
| Support Block | 1 ³ / ₄ x 1 ³ / ₈ x 4 ⁵ / ₁₆ | 2 |
| Baffle | 14 x 4 ¹ / ₂ x 1 ¹ / ₈ | 1 |
| Shim | 13 x 1 x 3 ³ / ₄ | 2 |
| Trim Frame | | 2 |
| Washer Screw | | 4 |
| Nuts(Plastic) | | 4 |
| Grille Rear | | 1 |

HOW TO INSTALL

- 1 Identify the existing wall sleeve before installing the unit from the listed below.

| Brand | Wall Sleeve Dimensions (inches) | | |
|--|---------------------------------|----------|------------------|
| | Width | Height | Depth |
| White-Westinghouse Frigidaire Carrier (52F series) | 25-1/2 | 15-1/4 | 16, 17-1/2 or 22 |
| General Electric /Hotpoint | 26 | 15-5/8 | 16-7/8 |
| Whirlpool | 25-7/8 | 16-1/2 | 17-1/8 or 23 |
| Fedders/Emerson | 27 | 16-3/4 | 16-3/4 or 19-3/4 |
| Sears/Kenmore | 25-7/8 | 15-17/32 | 16-23/32 |
| Emerson/Fedders | 26-3/4 | 15-3/4 | 15 |
| Carrier (51S Series) | 25-3/4 | 16-7/8 | 18-5/8 |
| Friedrich | 27 | 16-3/4 | 16-3/4 |

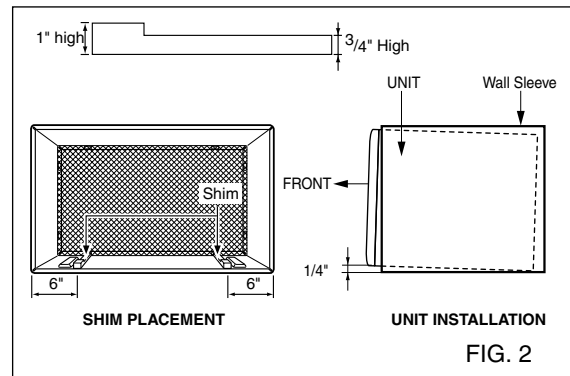
NOTE: All wall sleeves used to mount the new Air Conditioner must be in sound structural condition and have a rear grille that securely attaches to sleeve, or rear flange that serves as a stop for the Air Conditioner,

- 2 Remove old air conditioner from existing wall sleeve.
- 3 Clean the interior of an existing sleeve. (Do not disturb seals.)
- 4 Wall sleeve must be securely fastened in wall before installing the air conditioner. Use the nails or screws through sleeve into wall, if needed. Repaint sleeve if needed.
- 5 Prepare the wall sleeve for installation of the unit. If you plan to use your existing wall sleeve, and it is not Kenmore, use procedure B or C below.

| Procedure | Brand | Depth(inches) |
|-----------|--|------------------|
| A | Sears/Kenmore | 16-23/32 |
| B | White-Westinghouse Frigidaire Carrier (52F series) | 16, 17-1/2 or 22 |
| | General Electric /Hotpoint | 16-7/8 |
| | Whirlpool Carrier (51S series) | 17-1/8 or 23 |
| C | Fedders/Emerson | 16-3/4 or 19-3/4 |
| | Emerson/Fedders | 15 |
| | Friedrich | 16-3/4 |

- 6 Install new unit into wall sleeve.

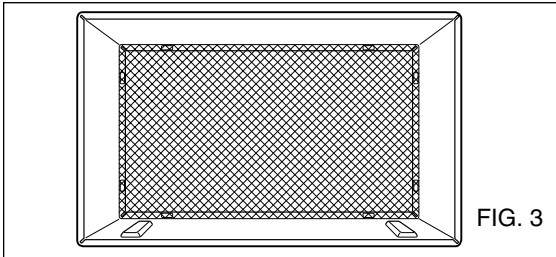
CAUTION: When installation is completed, replacement unit **MUST** have a rearward slope as shown. To achieve 1/4" slope, remove the backing from the 13" shim strips and attach them as shown below in Fig. 2. Place the higher portion of shim to the front of the rib on base of wall sleeve.



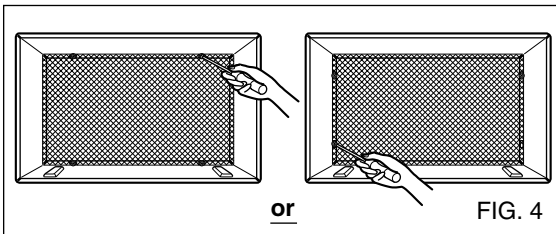
INSTALLATION

PROCEDURE A

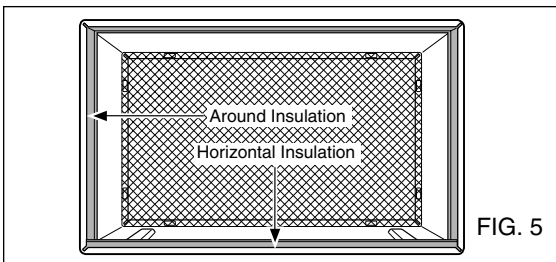
- 1** If you are using the new sleeve (optionally supplied with your unit), skip to step 3. Otherwise, install the plastic grille from the kit. Cut the plastic grille to 25-1/2" wide and 15-1/4" high. Place the plastic grille to the inside of the wall sleeve at the rear flange.



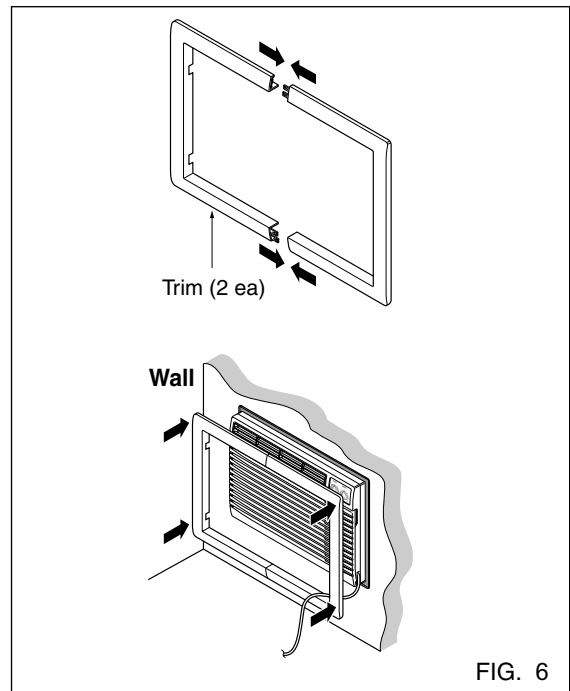
- 2** Fasten the 4 washer screws to secure the grille to the wall sleeve. If you need plastic nuts to mount plastic grille to the inside of the wall sleeve, there are plastic nuts in the installation kit. The nuts are installed from the inside of the sleeve and are pressed into the square holes of the rear flanges.



- 3** Remove the backing from the Horizontal Insulation strip $1\frac{3}{8} \times \frac{3}{8} \times 27\frac{3}{16}$ and attach that to the inside bottom of the sleeve as shown below. Remove the backing from the Around Insulation strip $1\frac{3}{8} \times \frac{3}{4} \times 61\frac{1}{2}$ and attach that to the inside front of the sleeve as shown below.



- 4** To assemble trim, snap the tab of each piece into the slot of the other piece as shown below. Slide trim over the front of the air conditioner until trim is flush with sleeve as shown below.



CAUTION

- Air conditioners covered in this manual pose an excessive weight hazard. Two or more people are needed to move and install the unit. To prevent injury or strain, use proper lifting and carrying techniques when moving unit.
- When handling the air conditioner, be careful to avoid cuts from sharp metal fins on front and rear coils.
- Make sure air conditioner does not fall during removal.
- If unit does not operate after installation check, to be sure the circuit interrupter has not been tripped. Refer to the Troubleshooting guide for reset procedure.

INSTALLATION

PROCEDURE B

- 1 Redirect the louvers at the back of the wall sleeve to 60° angle as shown in the FIG 7. The use of pliers is recommended.

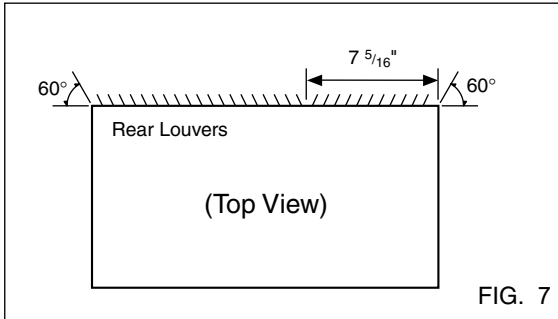
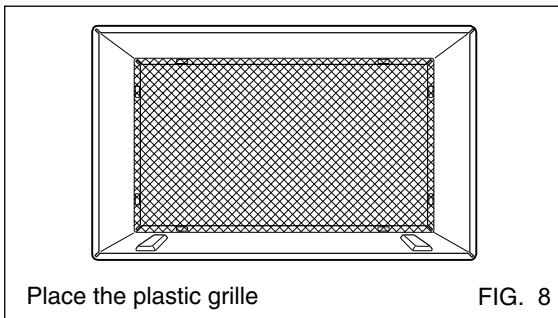


FIG. 7

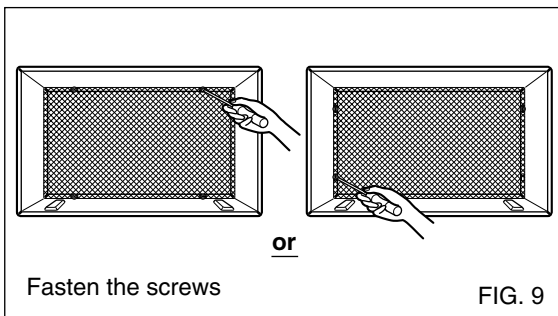
- 2 If the wall sleeve already has a rear grille, skip to step 4. If the wall sleeve does not have a rear grille or louvered panel, install the plastic grille from the kit. Cut the plastic grille to 25-1/2" wide and 15-1/4" high. Place the plastic grille to the inside of the wall sleeve at the rear flange.



Place the plastic grille

FIG. 8

- 3 Fasten the 4 washer screws to secure the grille to the wall sleeve. If you need plastic nuts to mount plastic grille to the inside of the wall sleeve, there are plastic nuts in the installation kit. The nuts are installed from the inside of the sleeve and are pressed into the square holes of the rear flanges.



Fasten the screws

FIG. 9

- 4 Remove the backing from the Horizontal Insulation strip $1\frac{3}{8} \times \frac{5}{8} \times 27\frac{3}{16}$ and attach that to the inside bottom of the sleeve as shown below. Remove the backing from the Around Insulation strip $1\frac{3}{8} \times \frac{3}{4} \times 61\frac{1}{2}$ and attach that to the inside front of the sleeve as shown below.

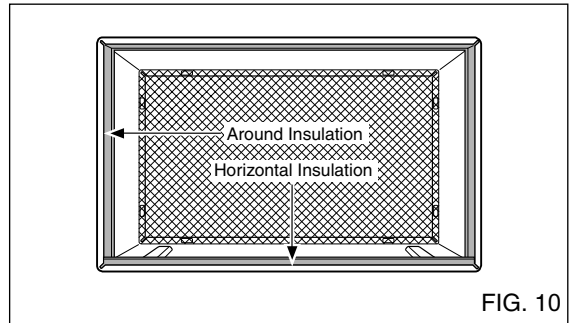


FIG. 10

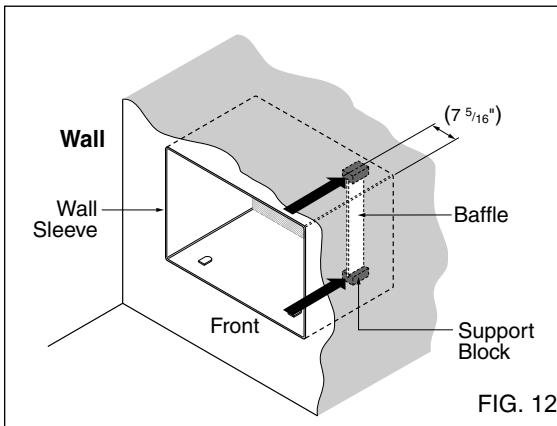
- 5 If the depth of your existing wall sleeve is less than or equal to 18", skip to step 6. Otherwise, cut the baffles and the support blocks according to length "A" in the table below.

| Depth "D" of the existing wall sleeve (inches) | Length "A" (inches) | FIG. 11 |
|--|------------------------|---------|
| $18 < D \leq 18\text{-}\frac{5}{8}$ | $\frac{3}{4}$ | |
| $18\text{-}\frac{5}{8} < D \leq 19\text{-}\frac{3}{4}$ | $1\text{-}\frac{3}{4}$ | |
| $19\text{-}\frac{3}{4} < D \leq 22$ | 4 | |

INSTALLATION

PROCEDURE B

- 6 Remove the backing from the support blocks and attach them to the inside of the wall sleeve as shown FIG 12. Slide the baffle into slots of the support blocks.



- 7 Install the new unit into the wall sleeve.
- 8 Assemble trim as described in Step 5, Procedure A.

⚠ CAUTION

- Air conditioners covered in this manual pose an excessive weight hazard. Two or more people are needed to move and install the unit. To prevent injury or strain, use proper lifting and carrying techniques when moving unit.
- When handling the air conditioner, be careful to avoid cuts from sharp metal fins on front and rear coils.
- Make sure air conditioner does not fall during removal.
- If unit does not operate after installation check, to be sure the circuit interrupter has not been tripped. Refer to the Troubleshooting guide for reset procedure.

INSTALLATION

PROCEDURE C

- 1** Redirect the louvers at the back of the wall sleeve to 60° angle as shown in the FIG 13. The use of pliers is recommended.

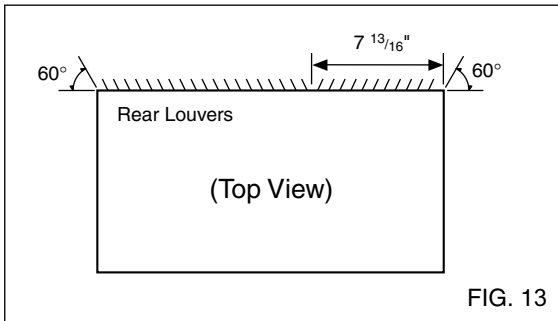
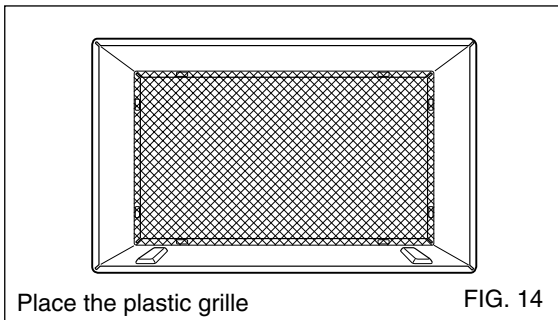


FIG. 13

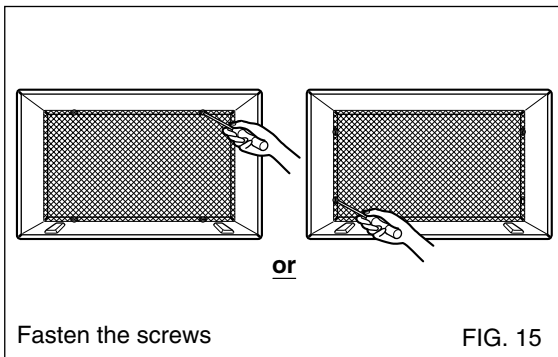
- 2** If the wall sleeve already has a rear grille, skip to step 4. If the wall sleeve does not have a rear grille or louvered panel, install the plastic grille from the kit. Cut the plastic grille to 26-1/2" wide and 15-1/2" high. Place the plastic grille to the inside of the wall sleeve at the rear flange.



Place the plastic grille

FIG. 14

- 3** Fasten the 4 washer screws to secure the grille to the wall sleeve. If you need plastic nuts to mount plastic grille to the inside of the wall sleeve, there are plastic nuts in the installation kit. The nuts are installed from the inside of the sleeve and are pressed into the square holes of the rear flanges.



Fasten the screws

FIG. 15

- 4** Remove the backing from the Horizontal Insulation strip $1\frac{3}{8} \times 1\frac{3}{8} \times 27\frac{3}{16}$ and attach that to the inside bottom of the sleeve as shown below. Remove the backing from the Around Insulation strip $1\frac{3}{8} \times 1\frac{3}{8} \times 61\frac{1}{2}$ and attach that to the inside front of the sleeve as shown below.

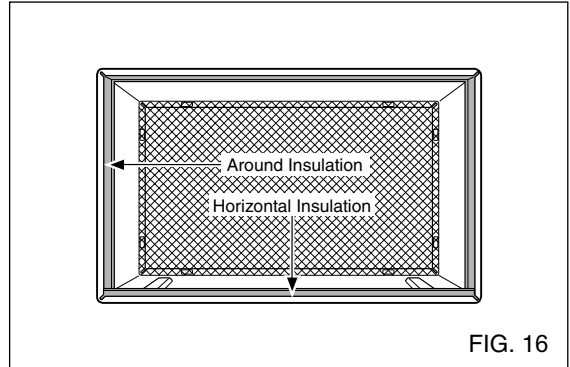


FIG. 16

- 5** If the depth of your existing sleeve is less than or equal to 18", skip to step 7. Otherwise, cut the baffles and the support blocks according to Length "A" in the table below.

| Depth "D" of the existing wall sleeve (inches) | Length "A" (inches) |
|--|------------------------|
| $18 < D \leq 18\text{-}\frac{5}{8}$ | $\frac{3}{4}$ |
| $18\text{-}\frac{5}{8} < D \leq 19\text{-}\frac{3}{4}$ | $1\text{-}\frac{3}{4}$ |
| $19\text{-}\frac{3}{4} < D \leq 22$ | 4 |

FIG. 17

- 6** Remove the backing from the support blocks and attach them to the inside of the wall sleeve as shown FIG 18. Slide the baffle into slots of the support blocks

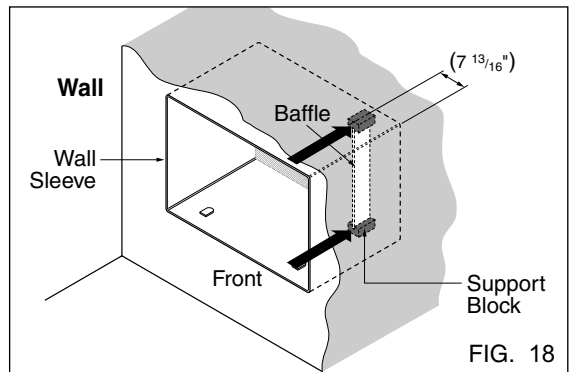
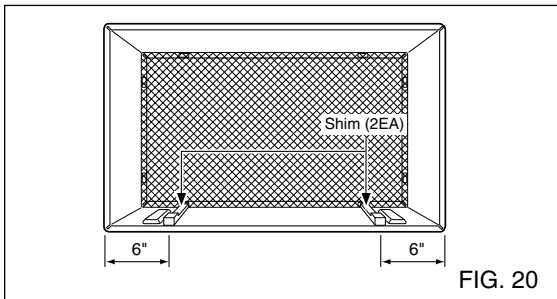
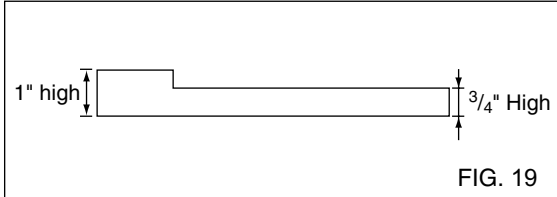


FIG. 18

INSTALLATION

PROCEDURE C

- 7** To achieve rearward slope for unit draining, remove the backing from the 13" shim strips and attach them as shown below in Fig. 20. The higher portion of shim is to be placed in front of the rib on the base of wall sleeve.



CAUTION

- Air conditioners covered in this manual pose an excessive weight hazard. Two or more people are needed to move and install the unit. To prevent injury or strain, use proper lifting and carrying techniques when moving unit.
- When handling the air conditioner, be careful to avoid cuts from sharp metal fins on front and rear coils.
- Make sure air conditioner does not fall during removal.
- If unit does not operate after installation check, to be sure the circuit interrupter has not been tripped. Refer to the Troubleshooting guide for reset procedure.

- 8** Install the new unit into the wall sleeve
- 9** Assemble trim as described in Step 6, Procedure A.

OPERATION

HOW AND WHY

Your room air conditioner provides the following functions to make hot weather living more comfortable:

- Cools and circulates room air.
- Lowers humidity by removing excess moisture.
- Filters out summertime dust, dirt, and some airborne impurities.

The air conditioner performs these functions by drawing room air through a filter which traps dust and dirt particles. The air then passes over a cooling coil which refrigerates the air and removes excess moisture. The same air is then returned to the room—cooler, drier, and cleaner. Moisture removed from the room air is carried to the outside and evaporated.

Your air conditioner is designed to be easy to operate and to provide plenty of cooling power.

NORMAL SOUNDS FIG. 21

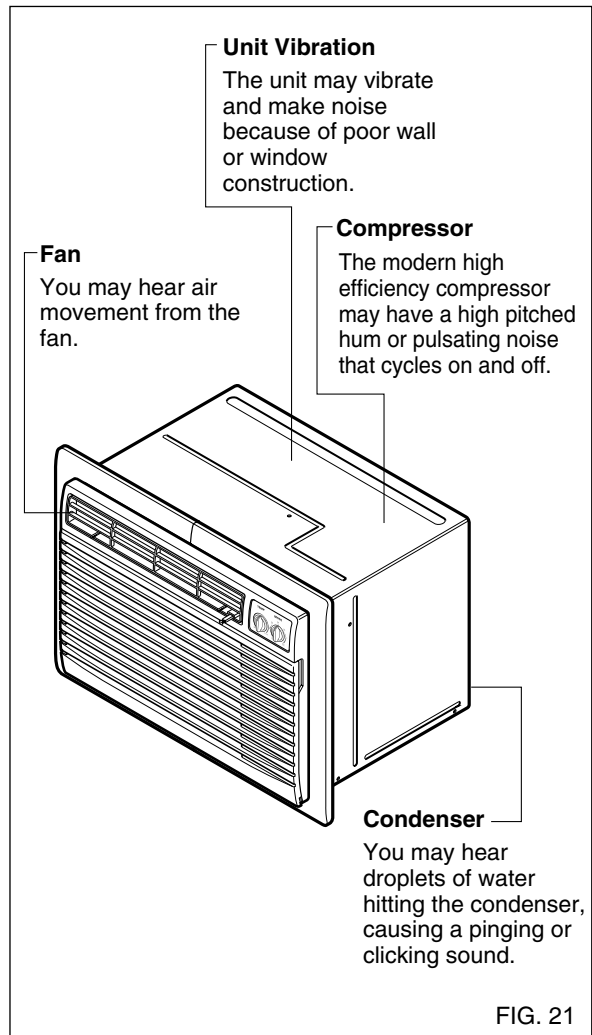
Aside from the regular fan motor and compressor sounds coming from your air conditioner, you will once in a while hear a pinging sound. This is the result of moisture being picked up from the air in the room and thrown against the air conditioner's fan. This is normal and should not be cause for concern. Also, do not be alarmed if you hear a slight hissing or gurgling sound coming from your air conditioner after it is off. These are normal coolant noises.

CAPACITY AND RUNNING TIME

Proper unit size is important in deciding the desired comfort for the area you want to cool. The proper size is determined by the number of square feet in the area to be cooled.

Whenever the heat or humidity load is above normal the air conditioner must run longer and more often to keep the desired temperature you have selected. Under heavy heat load conditions the air conditioner may need to run constantly to keep the temperature you want.

At times using the MED FAN setting to circulate the room air may make it comfortable even though you do not have the air conditioner set to cool the air. This will decrease your cost of use.



WATER DRAIN VALVE

When the outside temperature drops below 58°F and the unit is set for heating, a drain valve opens up to release water from the base pan. This is normal and prevents water from freezing in the base pan and interfering with the outdoor fan.

OPERATION

FEATURES

THE UNIT

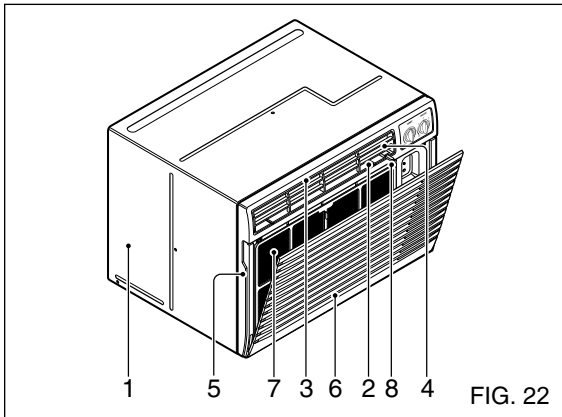


FIG. 22

1. CABINET
2. HORIZONTAL AIR DEFLECTOR
(Vertical Louver)
3. VERTICAL AIR DEFLECTOR
(Horizontal Louver)
4. AIR DISCHARGE
5. FRONT GRILLE
6. INLET GRILLE (Air Intake)
7. AIR FILTER
8. VENT CONTROL

USING THE AIR CONDITIONER

⚠ WARNING To reduce the risk of fire, electric shock, or injury to persons, read the important SAFETY instructions section before operating this appliance.

To begin operating the air conditioner after installation, follow these steps:

1. Plug in the air conditioner. (To prevent electrical hazards, do not use an extension cord or an adapter plug.)
2. Set the TEMP control to the coolest setting.
3. Set the MODE control at the highest COOL level.
4. Adjust the louvers for comfortable air flow.
5. Once the room has cooled, adjust the TEMP and MODE control to the setting you find most comfortable.

NOTE : If the air conditioner is turned off, wait 3 minutes before restarting. This allows pressure inside the compressor to equalize. Failure to wait 3 minutes before restarting may cause inefficient operation.

If you move the TEMP control to a warmer, then immediately back to a cooler setting, the unit will shut off. Wait 3 minutes before restarting.

Refer to the AIR CONDITIONER FEATURES section for other settings.

VENT CONTROL

The Vent Control allows the air conditioner to either recirculate inside air (CLOSE) or exhaust air to the outside (OPEN). (FIG. 23)

- The CLOSE position is used when maximum cooling is desired. It may also be used for air recirculation without cooling when the air conditioner is set in the FAN position.
- The OPEN position removes stale air from the room and exhausts it to the outside. Fresh air is drawn into the room through your home's normal air passages.
- The OPEN or CLOSE position can be used with any fan selection.

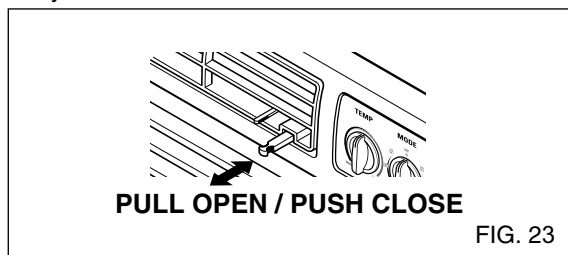
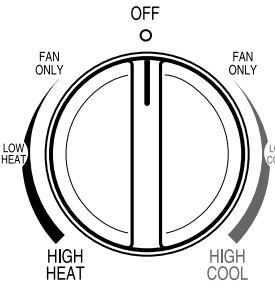
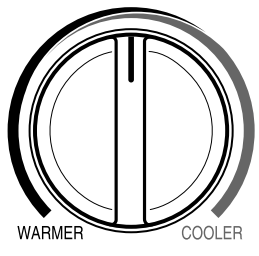


FIG. 23

OPERATION

CONTROLS

| | |
|---|--|
| <p>MODE</p>  <p>The Mode knob is a circular dial with a vertical line through the center. It has six positions: OFF at the top, FAN ONLY at the top-left and top-right, LOW COOL at the bottom-right, HIGH COOL at the bottom-right, HIGH HEAT at the bottom-left, and LOW HEAT at the bottom-left.</p> | <p>OFF : Turns air conditioner off.</p> <p>FAN ONLY : Fan operation without cooling or heating.</p> <p>LOW COOL : Cooling with low fan speed operation.</p> <p>HIGH COOL : Cooling with high fan speed operation.</p> <p>LOW HEAT : Heating with low fan speed operation.</p> <p>HIGH HEAT : Heating with high fan speed operation.</p> |
| <p>TEMP</p>  <p>The Temperature knob is a circular dial with a vertical line through the center. It has two positions: WARMER on the left and COOLER on the right.</p> | <p>Turn the Temperature Knob to the desired setting. The central position is a normal setting for average conditions. You can change this setting, if necessary, in accordance with your temperature preference.</p> <p>The thermostat automatically controls cooling or heating, but the fan runs continuously whenever the air conditioner is in operation.</p> <p>If the room is too warm, turn the thermostat control clockwise.</p> <p>If the room is too cool, turn the thermostat control counterclockwise.</p> |

The compressor will turn on and off to keep the room at the set temperature.

In the heating operation, the electric heater will turn on and off to keep the room at the set temperature.

CAUTION

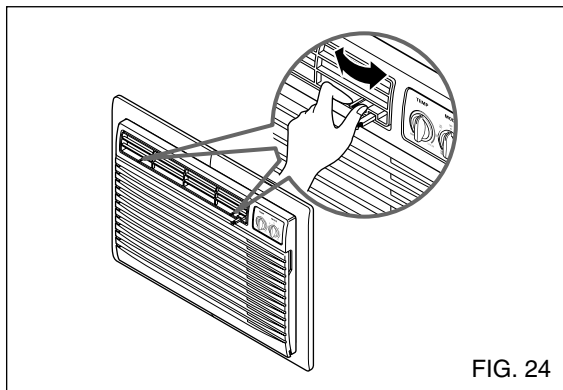
When the air conditioner has been operated in the cooling or heating mode and is turned off or set to the fan position, wait at least 3 minutes before resetting to the cooling operation again.

A slight burning odor may come from the unit when first switching to HEAT after the cooling season is over. This odor, caused by fine dust particles on the heater, will disappear quickly. This is normal operation.

OPERATION

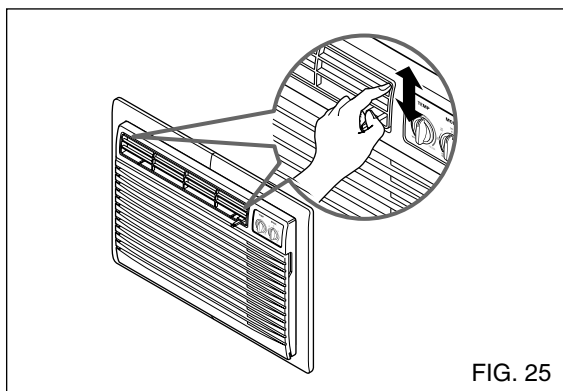
HORIZONTAL AIR-DIRECTION ADJUSTMENT

- The horizontal air direction is adjusted by moving vertical louver.
- The vertical louver control levers are located in the right and left side of the air discharge.



VERTICAL AIR-DIRECTION ADJUSTMENT

- The vertical air direction is adjusted by moving the horizontal louvers.



MAINTENANCE

AIR FILTER CLEANING

The Air Filter will become dirty as it removes dust from the inside air. It should be washed at least every 2 weeks. If the Air Filter remains full of dust, the air flow will decrease and the cooling capacity will be reduced, possibly damaging the unit.

- Pull the inlet grille forward and pull out the air filter. (FIG. 26)
- Wash the Air Filter under the faucet with warm water. Be sure to shake off all the water before replacing the filter. (FIG. 27)

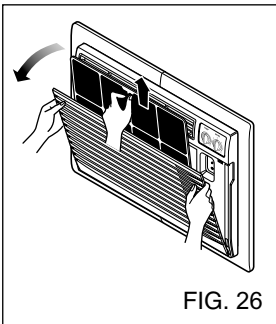


FIG. 26

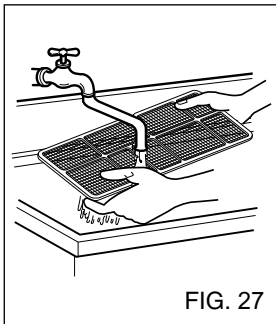


FIG. 27

AIR CONDITIONER CLEANING

Clean the front grille and inlet grille by wiping with a cloth dampened in a mild detergent solution.

The cabinet may be washed with mild soap or detergent and lukewarm water, then polished with liquid appliance wax.

To ensure continued peak efficiency, the condenser coils (outdoor side of the unit) should be checked periodically and cleaned if they become clogged with soot or dirt from the atmosphere. Brush or vacuum exterior coils to remove debris from fins.

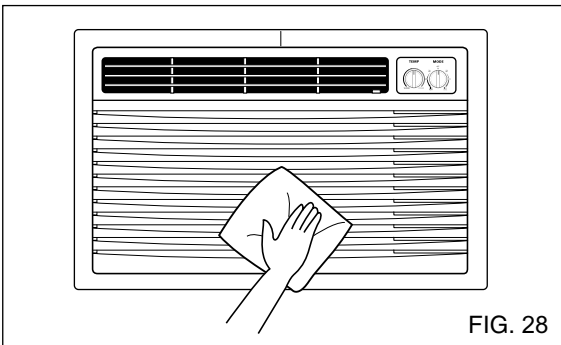


FIG. 28

HOW TO REMOVE THE FRONT GRILLE

- Open the inlet grille.
- Remove the screw securing the Front Grille.
- Push the grille up from the bottom and pull the top of the grille away from the case to lift the top tabs out of their slots.

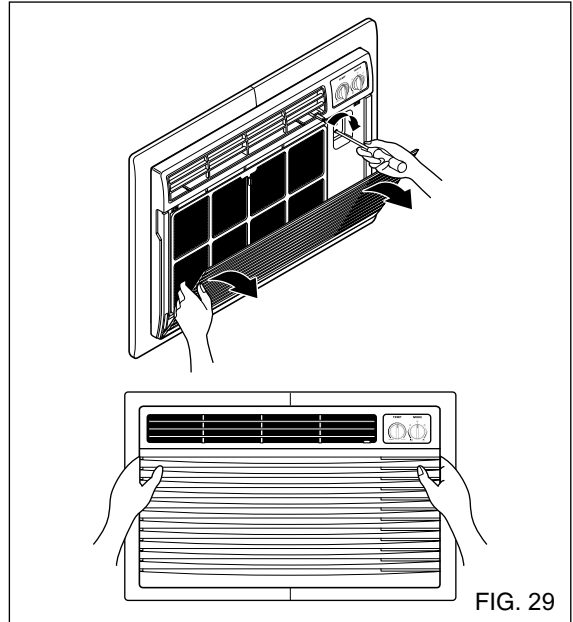


FIG. 29

HOW TO REPLACE THE FRONT GRILLE

Attach the front grille to the cabinet by inserting the tabs on the grille into the slots on the front of the cabinet. Push the grille in until it snaps into place.

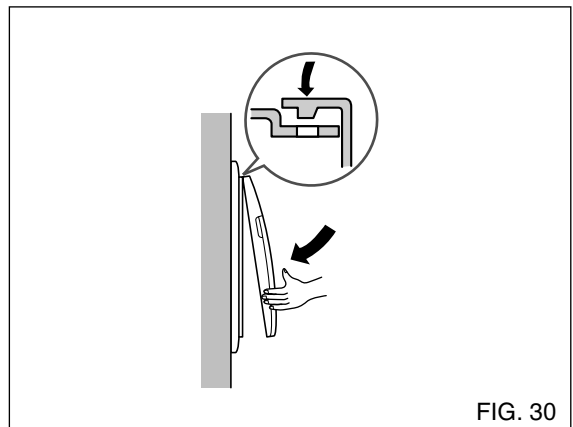


FIG. 30

TROUBLESHOOTING

BEFORE CALLING FOR SERVICE

Check the following list to be sure a service call is really necessary. A quick reference to this manual may help you avoid an unneeded service call.

THE AIR CONDITIONER WILL NOT OPERATE.

Check if...

Then...

| | |
|--|--|
| The Current interrupter Device is tripped. | Press the RESET button located on the power cord plug. If the RESET button will not stay engaged, discontinue use of the air conditioner and contact a qualified service technician. |
| Wall plug disconnected. | Push plug firmly into wall outlet. |
| House fuse blown or circuit breaker tripped. | Replace fuse with time delay type or reset circuit breaker. |
| Power is OFF. | Push the power button. |
| Unit was turned off and then on too quickly. | Set unit off and wait 3 minutes before restarting. |
| TEMP Control set warmer than room temperature. | Turn TEMP Control clockwise to a cooler setting. |

AIR FROM UNIT DOES NOT FEEL COLD ENOUGH.

Check if...

Then...

| | |
|---|---|
| MODE selector in LOW COOL position. | Turn selector to HIGH COOL position |
| TEMP Control set too warm. | Turn TEMP Control clockwise to a cooler setting. |
| Room temperature below 70°F (21°C) | Cooling may not occur until room temperature rises above 70°F (21°C). |
| Temperature sensing tube touching evaporator coil, located behind front grille. | Straighten tube away from evaporator coil. |

THE AIR CONDITIONER COOLING, BUT ROOM IS TOO WARM – ICE FORMING ON COOLING COIL BEHIND INLET GRILLE.

Check if...

Then...

| | |
|--|---|
| Outdoor temperature below 70°F (21°C). | To defrost the coil, set selector to FAN position. |
| Air filter may be dirty. | Clean air filter. Refer to Maintenance section of owner's manual. |
| TEMP Control set too low. | To defrost the coil, set selector to a FAN position. |

THE AIR CONDITIONER COOLING, BUT ROOM IS TOO WARM.

Check if...

Then...

| | |
|---|--|
| Dirty air filter – air restricted. | Clean air filter. Refer to Maintenance section of owner's manual. |
| TEMP Control set too warm. | Turn TEMP control clockwise to a cooler setting. |
| Front of unit is blocked by drapes, blinds, furniture, etc. Air distribution is restricted. | Clear blockage in front of unit. |
| Doors, windows, registers, etc. open. Cold air escapes. | Close doors, windows, registers, etc. |
| Unit recently turned on in hot room. | Allow additional time to remove stored heat from walls, ceiling, floor, and furniture. |

THE AIR CONDITIONER TURNS ON AND OFF RAPIDLY.

Check if...

Then...

| | |
|---------------------------------------|---|
| Outside temperature is extremely hot. | Set MODE on HIGH COOL to bring air past cooling coils faster. |
|---------------------------------------|---|

NOISE WHEN UNIT IS COOLING.

Check if...

Then...

| | |
|--|--|
| Sound of fan hitting water – from the moisture removal system. | This is normal when humidity is high. Close doors, windows, and registers. |
| Window vibration – poor installation. | Refer to installation instructions or check with installer. |

WATER DRIPPING INSIDE ROOM WHEN UNIT IS COOLING.

Check if...

Then...

| | |
|--|---|
| The air conditioner is improperly installed. | Tilt air conditioner slightly to the outside to allow water drainage. Refer to installation instructions or check with installer. |
|--|---|

WATER DRIPPING OUTSIDE WHEN UNIT IS COOLING.

Check if...

Then...

| | |
|--|---|
| The unit is removing large quantities of moisture from humid room. | This is normal during excessively humid days. |
|--|---|

ÍNDICE

| | | | |
|--|----|---|---------------|
| ÍNDICE | 18 | Características | 29 |
| GARANTÍA | 18 | Uso del aparato de aire acondicionado..... | 29 |
| SEGURIDAD | 19 | Características del aparato de aire acondicionado | 30 |
| Instrucciones importantes de seguridad ... | 19 | MANTENIMIENTO | 32 |
| REQUISITOS ELÉCTRICOS | 20 | Limpieza del filtro de aire | 32 |
| INSTALACIÓN | 21 | Limpieza del aparato de aire acondicionado | 32 |
| Requisitos de instalación | 21 | Cómo extraer la rejilla frontal | 32 |
| Instalación | 22 | Cómo volver a colocar la rejilla frontal ... | 32 |
| Procedimiento A..... | 23 | RESOLUCIÓN DE PROBLEMAS | 33 |
| Procedimiento B..... | 24 | Antes de llamar al servicio técnico..... | 33 |
| Procedimiento C..... | 26 | ACUERDOS DE PROTECCIÓN ESPECIALIZADA | 35 |
| FUNCIONAMIENTO | 28 | NÚMEROS DE SERVICIO TÉCNICO | Contraportada |
| Cómo y por qué..... | 28 | | |
| Sonidos normales | 28 | | |
| Capacidad y tiempo de funcionamiento ... | 28 | | |

GARANTÍA

GARANTÍA COMPLETA DE UN AÑO DEL APARATO DE AIRE ACONDICIONADO DE PARED

Durante un año, a contar a partir de la fecha de compra, cuando este aparato de aire acondicionado funcione para el enfriamiento normal de una habitación y reciba mantenimiento, todo ello según las instrucciones de este Manual del propietario, Sears reparará este aparato de aire acondicionado, de forma gratuita, si tuviera algún defecto de fabricación o materiales.

EL SERVICIO DE GARANTÍA PUEDE CONTACTARSE EN EL SERVICIO DE ATENCIÓN AL CLIENTE DE SEARS EN EL 1-800-4-MY-HOME®.

Esta garantía se aplica sólo durante el uso de este producto en los Estados Unidos.

Esta garantía le concede derechos legales específicos y puede que usted tenga otros derechos adicionales que varían según el estado.

Distributed by Sears, Roebuck and Co., Hoffman Estates, IL 60179

SEGURIDAD

INSTRUCCIONES IMPORTANTES DE SEGURIDAD

Las instrucciones de seguridad que se indican abajo le dirán cómo utilizar su aparato de aire acondicionado para evitar daños a sí mismo y daños a su APARATO DE AIRE ACONDICIONADO.

! ADVERTENCIA PARA SU SEGURIDAD

No almacene ni utilice gasolina ni otros líquidos ni gases inflamables cerca de éste u otro electrodoméstico. Lea las etiquetas de los productos para conocer su inflamabilidad y otras advertencias.

! ADVERTENCIA EVITAR ACCIDENTES

Para reducir el riesgo de incendio, electrocución o heridas a personas al utilizar su aparato de aire acondicionado, siga las precauciones básicas, incluyendo las siguientes:

- Asegúrese de que el servicio eléctrico es adecuado para el modelo que ha escogido.
- Si el aire acondicionado va a instalarse en una ventana, sería conveniente que limpiara primero ambos lados del cristal. Si la ventana tiene tres guías de deslizamiento, con un panel pantalla incluido, puede que desee extraer completamente la pantalla antes de la instalación.
- Asegúrese de que el aparato de aire acondicionado se ha instalado de modo seguro y correcto según las instrucciones en este Manual. Guarde este manual y las instrucciones de instalación para su posible uso futuro para extraer o volver a instalar esta unidad.
- Utilice guantes cuando maneje el aparato de aire acondicionado. Preste atención para evitar cortes de las afiladas aletas de metal en las bobinas frontal y posterior.

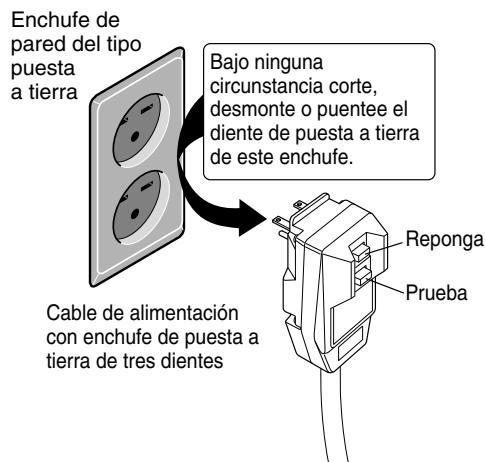
! ADVERTENCIA INFORMACIÓN ELÉCTRICA

El valor nominal eléctrico completo de su nuevo aparato de aire acondicionado se especifica en su etiqueta identificativa. Consulte el valor nominal al comprobar los requisitos eléctricos.

- Asegúrese de que el aparato de aire acondicionado tiene una toma de tierra adecuada. Para reducir al mínimo el riesgo de electrocución y de incendio, es importante tener una toma de tierra adecuada. El cable de alimentación está equipado con un enchufe de tres clavijas con toma a tierra para proteger contra electrocución.
- Su aparato de aire acondicionado debe estar enchufado a un enchufe de pared con una toma de tierra adecuada. Si el enchufe que quiere utilizar no tiene una toma de tierra adecuada o no está protegido por un fusible temporizado o un interruptor de corriente, haga que un electricista cualificado instale el enchufe apropiado.
- No haga funcionar el aparato de aire acondicionado con la lámina de embalaje en la parte posterior del alojamiento o con la cinta azul y las esquinas del aparato de aire acondicionado. Esto podría tener como consecuencia la producción de daños mecánicos al aparato de aire acondicionado.
- **No utilice un cable extensor ni un enchufe adaptador.**

! ADVERTENCIA Evite los peligros de incendio o de electrocución.

No utilice un cable extensor ni un enchufe adaptador.
No quite ninguna clavija del cable de alimentación.



IDEAS PARA AHORRAR ENERGÍA

- La capacidad del aparato de aire acondicionado debe ser adecuada al tamaño de la habitación para un funcionamiento eficaz y satisfactorio.
- Instale el aparato de aire acondicionado en el lado de su hogar a la sombra. Una ventana que mira al norte es la mejor porque se encuentra a la sombra la mayor parte del día.
- No bloquee el flujo del aire en el interior con persianas, cortinas o muebles, ni en el exterior con arbustos, cercas u otros edificios.
- Cierre las aperturas en suelo y ventanas y el tiro de la chimenea para que el aire frío no salga por la chimenea ni por los conductos.
- Mantenga cerradas las persianas y cortinas de otras ventanas durante la parte más soleada del día.
- Limpie el filtro de aire según se recomienda en la sección de MANTENIMIENTO de este manual.
- El aislamiento adecuado y la preparación de su hogar para las condiciones atmosféricas mantendrán el aire caliente en el exterior y el aire frío en el interior.
- La existencia de sombra en el exterior de la casa con árboles, plantas o toldos reduce la carga de trabajo del aparato de aire acondicionado.
- Haga funcionar los electrodomésticos que produzcan calor, como cocinas, lavadoras, secadoras y lavavajillas, durante la parte más fría del día.

REQUISITOS ELECTRICOS

RESPETE TODOS LOS CÓDIGOS Y REGLAMENTOS.

BAJO NINGUNA CIRCUNSTANCIA CORTE, quite o evite el uso de la conexión a tierra de esta clavija.

LA TOMA A TIERRA ES NECESARIA EN ESTE ELECTRODOMÉSTICO.

Es necesaria una fuente de alimentación eléctrica de 208/230 voltios, 60 Hz y 115-voltios, 60 Hz, sólo AC, con fusible de 15 A y correctamente puesta a tierra. Se recomienda el uso de un fusible o interruptor de retardo. Utilice un circuito dedicado, únicamente para este electrodoméstico.

NO USE CABLE ELÉCTRICO DE EXTENSIÓN.

MÉTODO RECOMENDADO DE CONEXIÓN A TIERRA

Por su propia seguridad este aparato debe conectarse a tierra. Este aparato viene equipado con un cable de alimentación y una clavija de tres terminales. Para reducir al máximo el peligro de choque eléctrico, el cable debe estar conectado a una conexión de pared con conexión a tierra, y esta conexión debe hacerse de acuerdo con la última edición del Código Eléctrico Nacional (ANSI/NFPA 70), así como con los códigos y reglamentos locales. Si no existe una conexión de pared adecuada, el cliente tiene la responsabilidad y la obligación de mandar instalar, con un electricista calificado, una conexión de pared adecuada de tres terminales con conexión a tierra.

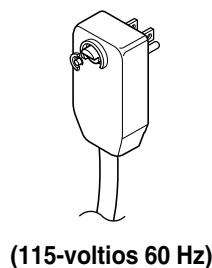
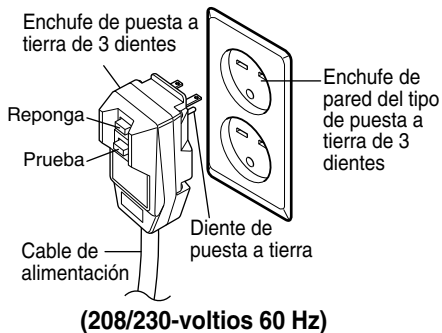
| 115V~ | 230V~ | |
|-------|-------|--|
| | | El cable de alimentación puede incluir un dispositivo interruptor de corriente. La carcasa del enchufe cuenta con un botón de prueba y otro de reinicio. El dispositivo debe comprobarse periódicamente presionando primero el botón TEST y después RESET. Si el botón TEST no se desconecta o si el botón RESET no permanece activo, suspenda el uso del aire acondicionado y póngase en contacto con un técnico de servicio cualificado. |

NOTA: La forma puede ser diferente según su modelo.

| Utilice el enchufe de la pared | Consumo de Energía |
|--|---|
| Standard 125V, enchufe de 3 Líneas de 15A, 125V AC | Utilice un fusible de 15AMP. o un Interruptor de 15AMP. |
| Standard 250V, enchufe de 3 Líneas de 15A, 250V AC | |
| Standard 250V, enchufe de 3 Líneas de 20A, 250V AC | Utilice un fusible de 20AMP. o un Interruptor de 20AMP. |

⚠ ADVERTENCIA

Peligro de choque eléctrico
 Conecte en una conexión de pared de 3 terminales
 No quite la terminal de conexión a tierra
 No use adaptadores
 No use cable eléctrico de extensión
 Si no se siguen estas instrucciones, puede ocasionarse la muerte, un incendio o un choque eléctrico.

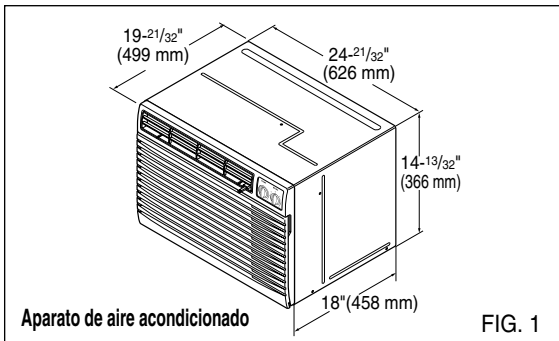


INSTALACIÓN

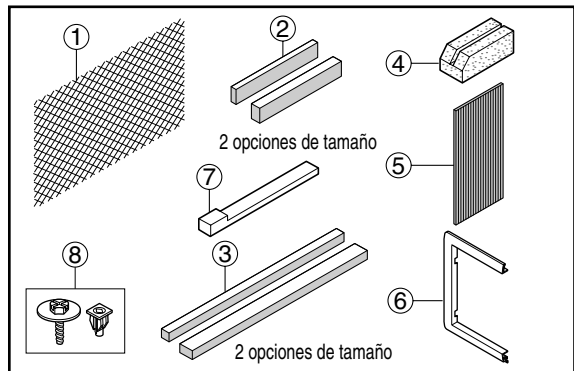
REQUISITOS DE INSTALACIÓN

Si utiliza un alojamiento de pared existente, debe tomar sus medidas.

Instale el nuevo aparato de aire acondicionado según estas instrucciones de instalación para conseguir el mejor rendimiento. Todos los alojamientos de pared utilizados para montar el nuevo aparato de aire acondicionado deben tener su estructura en buenas condiciones y tener una rejilla posterior para fijar con seguridad el nuevo aparato de aire acondicionado. (FIG.1) Con el alojamiento Kenmore, puede mantener el máximo rendimiento de su nuevo aparato de aire acondicionado.



EQUIPO DE INSTALACIÓN



| ARTÍCULO | NOMBRE DE LAS PIEZAS | CANTIDAD |
|----------|---|----------|
| ① | REJILLA DE PLÁSTICO | 1 |
| ② | TIRAS DE AISLAMIENTO HORIZONTAL | 2 |
| ③ | TIRAS DE AISLAMIENTO LATERAL | 2 |
| ④ | BLOQUE DE SOPORTE | 2 |
| ⑤ | DEFLECTOR | 1 |
| ⑥ | BASTIDOR DE REBORDE | 2 |
| ⑦ | CALZO PARA AJUSTE | 2 |
| ⑧ | TUERCAS DE PLÁSTICO Y TORNILLOS DE ARANDELA | 4 |

SERVICIO ELÉCTRICO

Compruebe el servicio eléctrico disponible. La alimentación disponible debe coincidir con la que se muestra en la etiqueta identificativa de la unidad (que se encuentra en el lado izquierdo del alojamiento).

Todos los modelos están equipados con un enchufe de servicio de 3 clavijas con una toma de tierra positiva segura. No modifique el enchufe de ninguna manera. No utilice un enchufe adaptador. Si su toma de corriente en la pared no coincide con el enchufe, llame a un electricista cualificado para realizar los cambios necesarios. GUARDE LA CAJA para el almacenamiento y esta GUÍA DEL PROPIETARIO para futura referencia. La caja es la mejor manera de almacenar la unidad durante el invierno o cuando no se utilice.



CUIDADO

Para evitar peligro de heridas personales, daños a la propiedad o al producto debido al peso de este aparato y a los bordes afilados que pueden estar expuestos:

- Los aparatos de aire acondicionado de los que trata este manual constituyen un peligro de peso excesivo. Se necesitan dos o más personas para mover e instalar la unidad. Para evitar heridas o problemas musculares, utilice técnicas adecuadas para elevar y desplazar la unidad.
- Revise cuidadosamente la ubicación donde se instalará el aparato de aire acondicionado. Asegúrese de que puede soportar el peso de la unidad durante un periodo de tiempo prolongado.
- Maneje con cuidado el aparato de aire acondicionado. Lleve guantes protectores siempre que levante o desplace la unidad. EVITE las aletas afiladas de metal de las bobinas frontal y posterior.
- Asegúrese de que el aparato de aire acondicionado no cae al suelo durante la instalación.

HERRAMIENTAS NECESARIAS:

- Guantes ajustados
- Destornillador estándar
- Destornillador Phillips
- Cuchillo afilado
- Cinta para medir
- Llave ajustable o de extremo abierto de 0,96 cm (3/8 de pulgada)
- Llave articulada
- Llave de cabeza hexagonal de 0,64 cm (1/4 de pulgada) y trinquete
- Taladro eléctrico
- Broca de taladro de 0,64 cm (1/4 de pulgada)

INSTALACIÓN

INSTALACIÓN



ADVERTENCIA

Se recomienda encarecidamente la extracción del antiguo alojamiento de la pared y la instalación de un alojamiento plegable de la pared Kenmore nuevo.

Si decide mantener el alojamiento de pared existente, tendrá que ajustar la dirección de la rejilla en la parte posterior de la ilustración del alojamiento de pared. Se recomienda el uso de tenazas. Si NO ajusta la dirección, corre el riesgo de un rendimiento pobre o de fallo del producto. Este hecho no está cubierto bajo los términos de la garantía de KENMORE.

- Si decide mantener el alojamiento de pared existente, tendrá que ajustar la dirección de la rejilla en la parte posterior de la ilustración del alojamiento de pared. Se recomienda el uso de tenazas. Si NO ajusta la dirección, corre el riesgo de un rendimiento pobre o de fallo del producto. Este hecho no está cubierto bajo los términos de la garantía de KENMORE.

ARTÍCULOS EN EL EQUIPO DE INSTALACIÓN

Puede que no necesite todas las partes del equipo de instalación. Tire las piezas que no utilice.

| ARTÍCULO | | Cantidad |
|---------------------------------|--|----------|
| Rejilla de plástico | 3,81 x 2,54 x 210,03 cm (26 ³ / ₄ x 16 ¹ / ₂) | 1 |
| Tiras de aislamiento horizontal | 3,5 x 1,52 x 69,03 cm (1 ³ / ₈ x 5 ⁷ / ₈ x 27 ³ / ₁₆) | 1 |
| | 3,5 x 3,5 x 69,03 cm (1 ³ / ₈ x 1 ³ / ₈ x 27 ³ / ₁₆) | 1 |
| Tiras de aislamiento lateral | 3,5 x 2,03 x 153,035 (1 ³ / ₈ x 3 ¹ / ₄ x 61 ¹ / ₂) | 1 |
| | 3,5 x 3,5 x 153,035 (1 ³ / ₈ x 1 ³ / ₈ x 61 ¹ / ₂) | 1 |
| Bloque de soporte | 8,89 x 3,5 x 10,94 cm (1 ³ / ₄ x 1 ³ / ₈ x 4 ² / ₁₆) | 2 |
| Deflector | 35,56 x 11,43 x 0,33 (14 x 4 ¹ / ₂ x 1 ¹ / ₈) | 1 |
| Caizo para ajuste | 33,02 x 2,54 x 2,03 (13 x 1 x 3 ¹ / ₄) | 2 |
| Bastidor de reborde | | 2 |
| Tornillo de arandela | | 4 |
| Tuercas (plástico) | | 4 |
| Parte posterior de la rejilla | | 1 |

CÓMO INSTALARLO

- 1 Identifique el alojamiento existente en la pared antes de instalar la unidad de la lista que se muestra a continuación

| Marca | Medidas del alojamiento de la pared (pulgadas y centímetros) | | |
|---|--|-------------------|-------------------------------------|
| | Anchura | Altura | Profundidad |
| White-Westinghouse Frigidaire Carrier (Serie 52F) | 64,77 (25-1/2) | 38,73 (15-1/4) | 40,64, 44,45, 55,88 (16, 17-1/2) |
| General Electric/Hotpoint | 66,04(26) | 39,70(15-5/8) | 42,87(16-7/8) |
| Whirlpool | 65,48(25-7/8) | 41,91(16-1/2) | 43,51 o 58,42 (17-1/8 o 23) |
| Fedders/Emerson | 68,58(27) | 42,54(16-3/4) | 42,54 o 50,16 (16-3/4 o 19-3/4) |
| Sears/Kenmore | 65,73 (25-7/8) | 39,44 (15-17/32) | 42,46 (16-23/32) |
| Emerson/Fedders | 67,94 (26-3/4) | 40 (15-3/4) | 38,1 (15) |
| Carrier (Serie 51S) | 65,40 (25-3/4) | 42,87 (16-7/8) | 47,32 (18-5/8) |
| Friedrich | 68,58 (27) | 42,54 (16-3/4) | 42,54 (16-3/4) |

NOTA: Todos los alojamientos de pared utilizados para montar el nuevo aparato de aire acondicionado deben estar en buenas condiciones estructurales y tener una rejilla posterior que se una con seguridad al alojamiento o un flanco posterior que sirva de tope al aparato de aire acondicionado,

- 2 Extraiga el antiguo aparato de aire acondicionado del alojamiento de pared ya existente.
- 3 Limpie el interior del alojamiento de pared ya existente. (No toque los sellados.)
- 4 El alojamiento de pared debe estar bien fijado a la pared antes de instalar el aparato de aire acondicionado. Si fuera necesario, utilice los clavos o tornillos para fijar el alojamiento a la pared.
- Vuelva a pintar el alojamiento si fuera necesario.
- 5 Prepare el alojamiento de pared para la instalación de la unidad. Si piensa utilizar el alojamiento ya existente, y no es de la marca Kenmore, utilice los procedimientos B o C que se explican a continuación.

| Procedimiento | Marca | Profundidad |
|---------------|--|---|
| A | Sears/Kenmore | 42,44 (16-23/32) |
| B | White-Westinghouse Frigidaire Carrier (52F series) | 40,64, 44,45 o 55,88 (16, 17-1/2 o 22) |
| | General Electric /Hotpoint | 42,87 (16-7/8) |
| | Whirlpool | 43,5 o 58,42 (17-1/8 o 23) |
| C | Carrier (51S series) | 47,29 (18-5/8) |
| | Fedders/Emerson | 42,54 o 50,16 (16-3/4 o 19-3/4) |
| | Emerson/Fedders Friedrich | 38,1 (15) 42,54 (16-3/4) |

- 6 Instale la nueva unidad en el alojamiento de la pared.

PRECAUCIÓN: Al finalizar la instalación, la unidad de sustitución DEBE tener una pendiente hacia atrás según se ilustra. Para lograr una pendiente de 1/4", retire el envoltorio de las cuñas de 13" y acóplelas según se muestra a continuación en la FIG. 2. Coloque el extremo más alto de la cuña en la parte frontal de la base del soporte de pared.

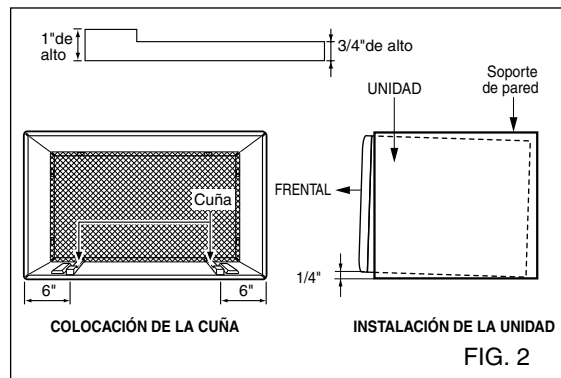
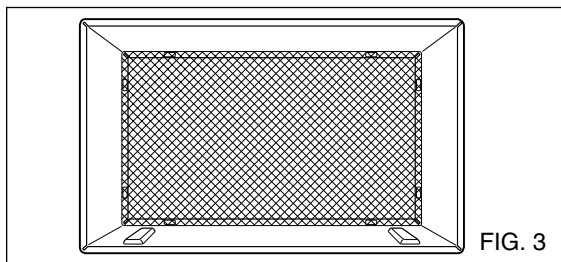


FIG. 2

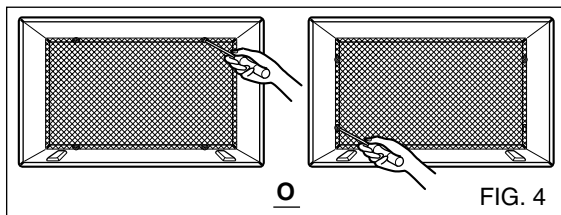
INSTALACIÓN

PROCEDIMIENTO A

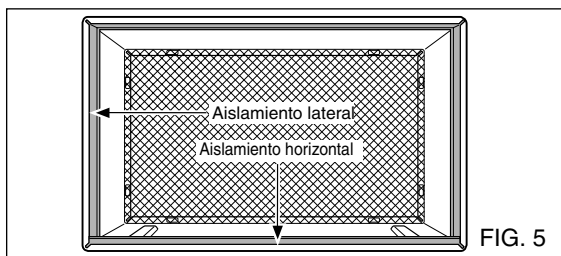
- 1 Si está utilizando un nuevo soporte de pared (incluido opcionalmente con su unidad), salte al paso 3. Si no es así, instale la rejilla plástica. Corte la rejilla plástica a 25-1/2" de ancho y 15-1/4" de alto. Coloque la rejilla plástica en el interior del soporte de pared en la pestaña posterior.



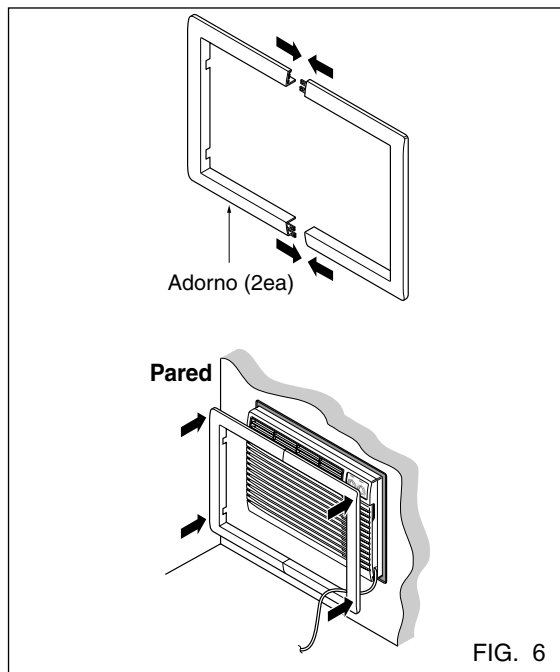
- 2 Apriete los 4 tornillos de arandela para fijar la rejilla al alojamiento de pared. Si necesita tuercas de plástico para montar la rejilla de plástico en el interior del alojamiento, hay tuercas de plástico en el equipo de instalación. Las tuercas se instalan desde el interior del alojamiento y se introducen apretándolas en los orificios cuadrados de los flancos traseros.



- 3 Extraiga la parte posterior de la tira de Aislamiento horizontal de 3,5 x 0,96 x 69,06 cm ($1\frac{3}{8} \times \frac{3}{5} \times 27\frac{3}{16}$) y fíjela a la parte inferior interna del alojamiento según se muestra abajo. Extraiga la parte posterior de la tira de Aislamiento lateral de 3,5 x 1,9 x 156,21 cm ($1\frac{3}{8} \times \frac{3}{4} \times 61\frac{1}{2}$) y fíjela al interior del alojamiento según se muestra abajo.



- 4 Para montar el reborde, inserte el saliente de cada pieza en la ranura de la otra pieza según se muestra abajo. Deslice el reborde sobre la parte frontal del aparato de aire acondicionado hasta que el reborde esté unido a paño con el alojamiento según se muestra a continuación.



⚠ CUIDADO

- Los aparatos de aire acondicionado de los que trata este manual constituyen un peligro de peso excesivo. Se necesitan dos o más personas para mover e instalar la unidad. Para evitar heridas o problemas musculares, utilice técnicas adecuadas para elevar y desplazar la unidad.
- Al manejar el aparato de aire acondicionado, tenga cuidado de evitar cortes de las aletas afiladas de metal en las bobinas frontal y trasera.
- Asegúrese de que el aparato de aire acondicionado no se cae durante la instalación.
- Si la unidad no funciona tras la revisión de instalación, asegúrese que el interruptor del circuito no se ha disparado. Consulte la guía de solución de averías para conocer el procedimiento de reinicio.

INSTALACIÓN

PROCEDIMIENTO B

- 1** Coloque la dirección de la rejilla en la parte posterior del alojamiento de la pared en un ángulo de 60° según se muestra en la FIG 7. Se recomienda el uso de tenazas.

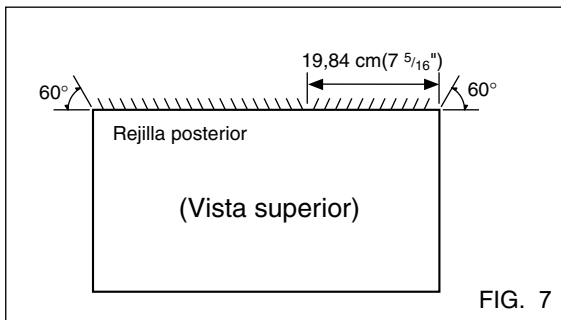


FIG. 7

- 2** Si el alojamiento de pared está ya equipado con una rejilla trasera, pase directamente al paso 4. Si el alojamiento de la pared no tiene una rejilla posterior ni un panel con lamas, instale la rejilla de plástico del equipo de instalación. Corte la rejilla de plástico a unas medidas de 64,77 cm (25-1/2) de ancho y 38,74 cm (15-1/4) de alto. Coloque la rejilla de plástico en el interior del alojamiento de pared en el flanco posterior.

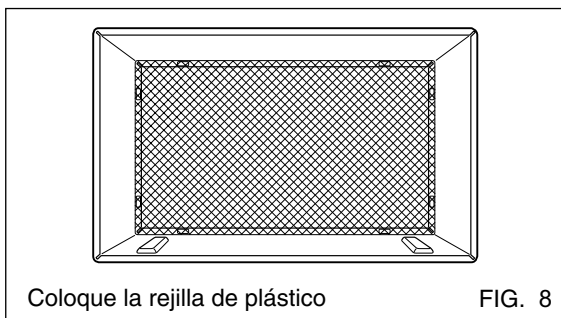


FIG. 8

- 3** Cuando el alojamiento de la pared tiene una rejilla posterior de panel con lamas, salte al paso 3 y omita el paso 4. Coloque la rejilla de plástico en el interior del alojamiento de pared en el flanco posterior.

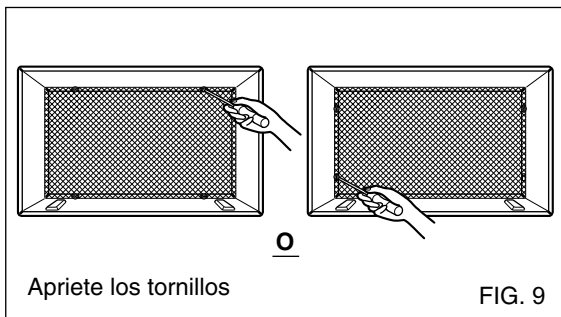


FIG. 9

- 4** Extraiga la parte posterior de la tira de Aislamiento horizontal de 3,5 x 1,60 x 69,06 cm (1 3/8 x 5/8 x 27 3/16) y fjela a la parte inferior interna del alojamiento según se muestra abajo. Extraiga la parte posterior de la tira de Aislamiento lateral de 3,5 x 1,9 x 156,21 (1 3/8 x 3/4 x 61 1/2) y fjela al interior del alojamiento según se muestra abajo.

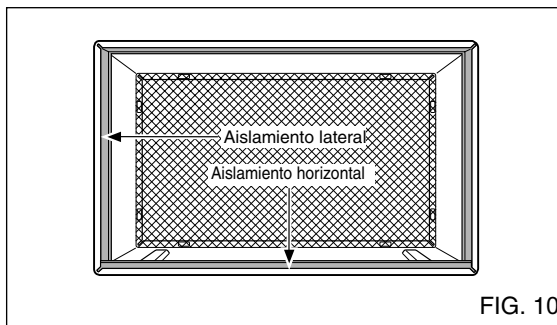


FIG. 10

- 5** Cuando la profundidad del alojamiento existente es igual o menor a 45,72 cm (18 pulgadas), pase directamente al paso 6. En caso contrario, corte los deflectores y los bloques de soporte según la longitud "A" de la tabla que se muestra abajo.

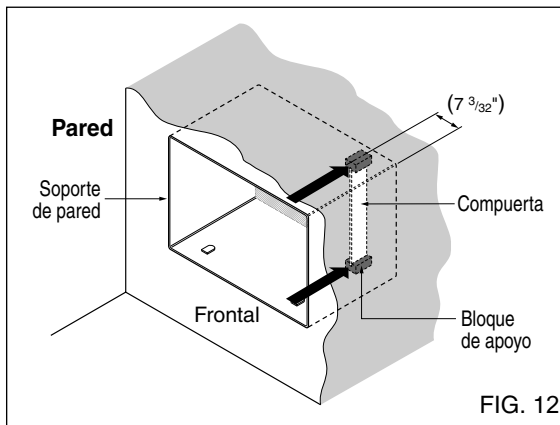
| Profundidad "D" del alojamiento de pared ya existente (pulgadas) | Longitud "A" (pulgadas) | |
|--|-------------------------|--|
| $18 < D \leq 18\text{-}5/8$ | $3/4$ | |
| $18\text{-}5/8 < D \leq 19\text{-}3/4$ | $1\text{-}3/4$ | |
| $19\text{-}3/4 < D \leq 22$ | 4 | |

FIG. 11

INSTALACIÓN

PROCEDIMIENTO B

- 6 Retire el envoltorio de los bloques de apoyo y acóplelos al interior del soporte de pared como muestra la FIG. 12. Deslice la compuerta en las ranuras de los bloques de apoyo.



- 7 Instale la nueva unidad en el soporte de pared.
- 8 Ajuste la posición según describe el paso 5, procedimiento A.

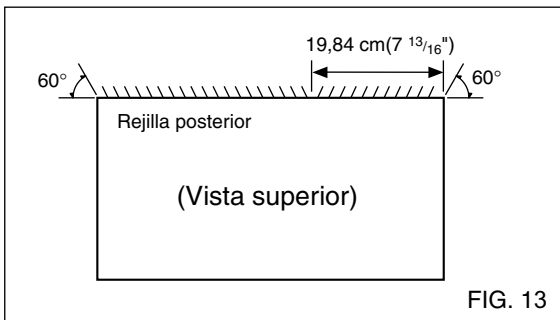
⚠ PRECAUCIÓN

- Los aires acondicionados tratados en este manual representan un peligro por peso excesivo. Son necesarias dos o más personas para desplazar e instalar la unidad. Para evitar lesiones o esfuerzos excesivos, utilice las técnicas de levantamiento y desplazamiento apropiadas al mover la unidad.
- Manipule con cuidado el aire acondicionado, tenga cuidado de evitar cortes de las aristas afiladas de metal de las bobinas frontal y posterior.
- Asegúrese de que el aire acondicionado no se caiga al desmontarlo.
- Si la unidad no funciona tras la revisión de instalación, asegúrese que el interruptor del circuito no se ha disparado. Consulte la guía de solución de averías para conocer el procedimiento de reinicio.

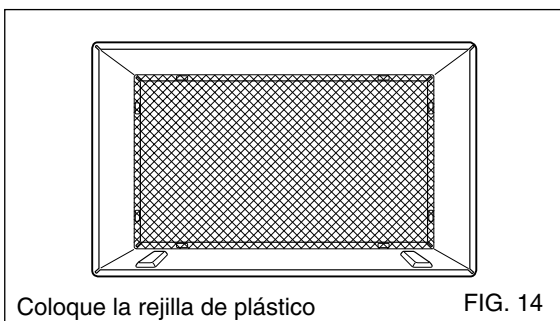
INSTALACIÓN

PROCEDIMIENTO C

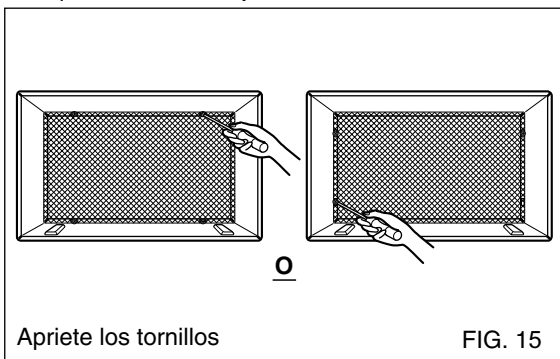
- 1** Coloque la dirección de la rejilla en la parte posterior del alojamiento de la pared en un ángulo de 60° según se muestra en la FIG 13. Se recomienda el uso de tenazas.



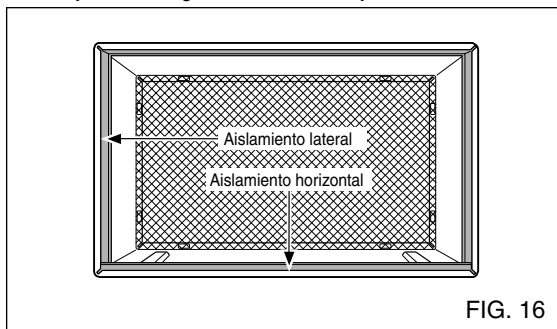
- 2** Si el alojamiento de la pared no tiene una rejilla posterior o un panel con lamapas, instale la rejilla de plástico del equipo de instalación. Corte la rejilla de plástico a unas medidas de 67,31 cm (26-1/2) de ancho y 39,37 cm (15-1/2) de alto.



- 3** Cuando la profundidad del alojamiento existente es igual o menor a 45,72 cm (18 pulgadas), pase directamente al paso 7. Corte los deflectores y los bloques de soporte según la longitud "A" de la tabla que se muestra abajo.



- 4** Extraiga la parte posterior de la tira de Aislamiento horizontal de 3,5 x 3,5 x 69,06 cm (13/8 x 13/8 x 273/16) y fíjela a la parte inferior interna del alojamiento según se muestra abajo. Extraiga la parte posterior de la tira de Aislamiento lateral de 3,5 x 3,5 x 156,21 cm (13/8 x 13/8 x 611/2) y fíjela al interior frontal del alojamiento según se muestra abajo.



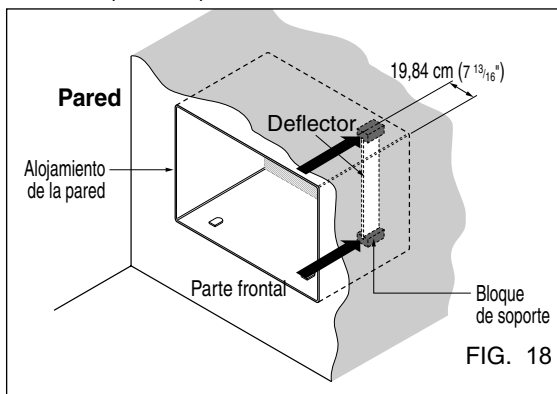
- 5** Cuando la profundidad del alojamiento existente es igual o menor a 45,72 cm (18 pulgadas), pase directamente al paso 7. De otra manera, corte los desviadores y los bloques de soporte de acuerdo a la longitud "A" en el cuadro siguiente.

| Profundidad "D" del alojamiento de pared ya existente (pulgadas) | Longitud "A" (pulgadas) |
|--|-------------------------|
| $18 < D \leq 18\text{-}5/8$ | $3/4$ |
| $18\text{-}5/8 < D \leq 19\text{-}3/4$ | $1\text{-}3/4$ |
| $19\text{-}3/4 < D \leq 22$ | 4 |

Bloque de soporte
Deflector

FIG. 17

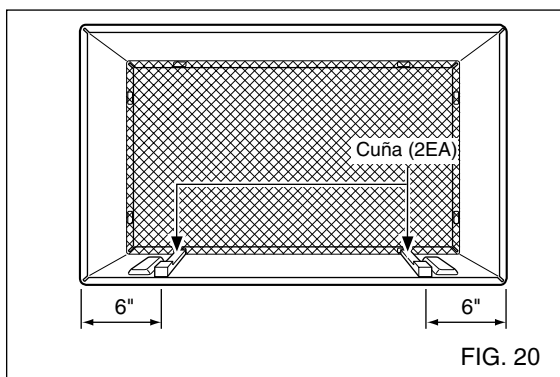
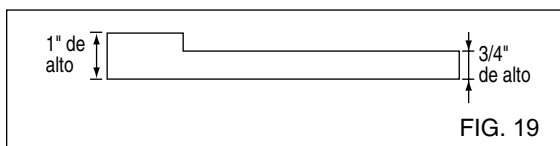
- 6** Extraiga la parte posterior de los bloques de soporte y fíjelos al interior del alojamiento de la pared según se muestra en la FIG 18. Deslice el deflector en las ranuras de los bloques de soporte.



INSTALACIÓN

PROCEDIMIENTO C

- 7** Para lograr una pendiente de posterior para el drenaje de la unidad, retire el envoltorio de las cuñas de 13" y acóplelas según se muestra a continuación en la FIG. 20. Coloque el extremo más alto de la cuña en la parte frontal de la base del soporte de pared.



⚠ PRECAUCIÓN

- Los aires acondicionados tratados en este manual representan un peligro por peso excesivo. Son necesarias dos o más personas para desplazar e instalar la unidad. Para evitar lesiones o esfuerzos excesivos, utilice las técnicas de levantamiento y desplazamiento apropiadas al mover la unidad.
- Manipule con cuidado el aire acondicionado, tenga cuidado de evitar cortes de las aristas afiladas de metal de las bobinas frontal y posterior.
- Asegúrese de que el aire acondicionado no se caiga al desmontarlo.
- Si la unidad no funciona tras la revisión de instalación, asegúrese que el interruptor del circuito no se ha disparado. Consulte la guía de solución de averías para conocer el procedimiento de reinicio.

- 8** Instale la nueva unidad en el soporte de pared.

- 9** Monte el ajuste según lo descrito en el paso 6, procedimiento A.

FUNCIONAMIENTO

CÓMO Y PORQUE

Este aire acondicionado incluye un manual de instrucciones para hacer más agradables las condiciones de habitabilidad en estaciones calurosas.

- Refrigerera y hace circular el aire de la habitación.
- Elimina la humedad en exceso.
- Los filtros eliminan el polvo y la suciedad típicas de la estación, así como las impurezas que el aire contiene.

El aire acondicionado realiza las funciones anteriores al hacer pasar el aire de la habitación a través de un filtro que atrapa las partículas de polvo y la suciedad. A continuación, el aire pasa por un serpentín de refrigeración que enfría el aire y elimina la humedad en exceso. El mismo aire volverá a la habitación pero más frío, más seco y más limpio. La humedad que se ha eliminado del aire de la habitación sale al exterior y se evapora.

Este aire acondicionado se ha diseñado para que sea fácil de utilizar y para que proporcione la máxima capacidad de refrigeración.

SONIDOS NORMALES FIG. 21

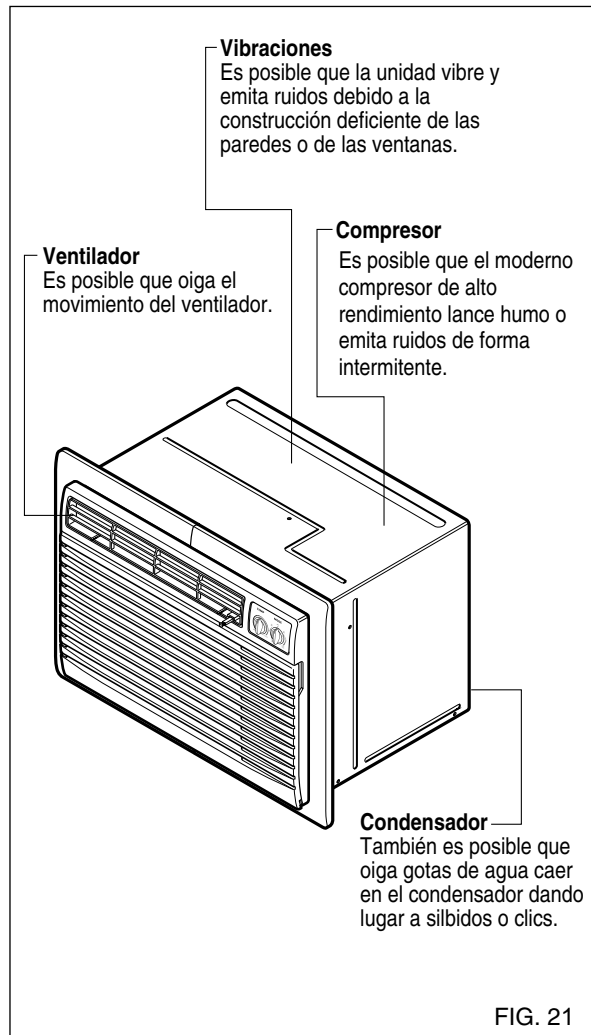
Además de los sonidos normales del compresor y del motor del ventilador que proceden del aire acondicionado, es posible que oiga de vez en cuando un sonido de silbidos. Esto se debe al sonido que se produce al recoger la humedad del aire de la habitación y expulsarla a través del ventilador del aire acondicionado. Este sonido es normal, no tiene porqué preocuparse. También es posible que se escuche un sonido de siseo o de borboteo cuando apague el aire acondicionado. No debe alarmarse, ya que son sonidos normales que se producen al refrigerar.

CAPACIDAD Y TIEMPO DE FUNCIONAMIENTO

Es importante establecer la zona que desea refrigerar para decidir en consecuencia el tamaño adecuado de la unidad. Su tamaño dependerá del número de metros cuadrados de la zona que desee refrigerar.

Si la carga de humedad o el calor es superior a lo normal, el aire acondicionado se deberá utilizar más tiempo y con más frecuencia para mantener la temperatura establecida deseada. También es posible que el calor sea tan elevado que tenga que utilizar el aire acondicionado constantemente para mantener la temperatura deseada.

Puede utilizar el valor MED FAN (ventilador media) para que el aire de la habitación circule y hacer las condiciones de habitabilidad más idóneas, aunque no tenga el aire acondicionado establecido en el modo de refrigeración. Así disminuirá el coste de utilización.



VALVULA DE DRENAJE DEL AGUA

Cuando la temperatura exterior cae por debajo de los 58°F y la unidad está ajustada para la calefacción, una válvula de drenaje se abre para liberar el agua del colector de la base. Esto es normal y previene el agua de que se congele dentro del colector de la base y que se interfiera con el ventilador del exterior.

FUNCIONAMIENTO

CARACTERÍSTICAS

LA UNIDAD

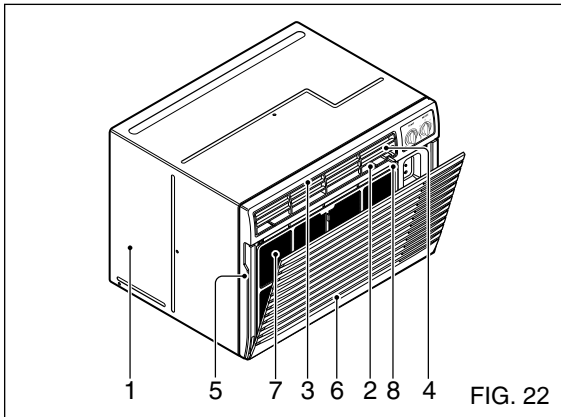


FIG. 22

1. CABINA
2. DEFLECTOR DE AIRE HORIZONTAL
(Persiana vertical)
3. DEFLECTOR DE AIRE VERTICAL
(Persiana horizontal)
4. DESCARGA DE AIRE
5. REJILLA DELANTERA
6. REJILLA DELANTERA (entrada de aire)
7. FILTRO DE AIRE
8. CONTROL DE VENTILACIÓN

UTILIZACIÓN DEL APARATO DE AIRE ACONDICIONADO

⚠ ADVERTENCIA Antes de utilizar esta unidad, lea las instrucciones acerca de la seguridad para evitar riesgos de fuegos, sacudida eléctrica o daños a personas.

Siga estos pasos para empezar a utilizar el aire acondicionado después de su instalación:

1. Conecte el aire acondicionado. (Para evitar peligros eléctricos no utilice alargaderas ni adaptadores).
2. Establezca el control de temperatura (TEMP) en el valor más frío.
3. Establezca el control de modo (MODE) en el nivel más frío.
4. Ajuste las persianas para que el flujo de aire le resulte agradable.
5. Cuando la habitación se haya enfriado, ajuste el control de modo y temperatura en el valor que le resulte más agradable.

NOTA: Si el aire acondicionado está apagado, espere tres minutos antes de volver a encenderlo. De esta forma se equilibra la presión del interior del compresor. Si no espera tres minutos antes de volverlo a encender, es posible que se produzcan fallos de funcionamiento.

Si cambia el control de temperatura a más templado y vuelve a cambiar inmediatamente a un valor más frío, la unidad de apagará. Espere tres minutos antes de volverlo a encender.

Consulte la sección de funciones y características del aire acondicionado para ver otros valores.

CONTROL DE VENTILACIÓN

El control de ventilación permite que el aire acondicionado haga circular el aire (CLOSE) o expulse el aire al exterior (OPEN). (FIG. 23)

- La posición CLOSE se utiliza cuando desee la máxima refrigeración. También se utiliza para recircular el aire sin refrigerar cuando el aire acondicionado esté en la posición FAN (ventilación).
- En la posición OPEN (abierto) elimina el aire viciado de la habitación y lo expulsa al exterior. El aire fresco sale a la habitación a través de los conductos de aire normales de la casa.
- La posición OPEN o CLOSE se puede utilizar con cualquier selección del ventilador.

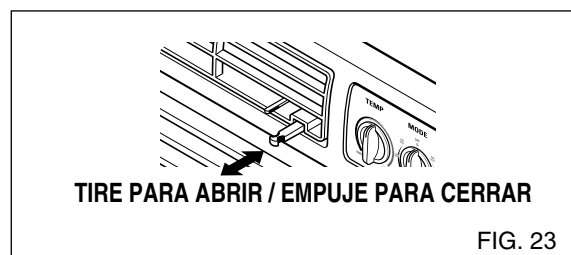
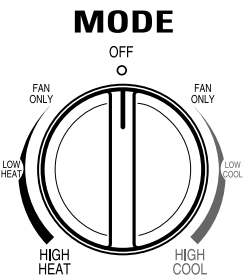
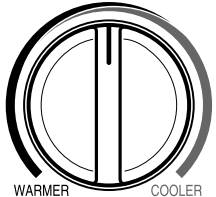


FIG. 23

FUNCIONAMIENTO

CONTROLES

| | |
|--|---|
|  <p>MODE</p> | <p>OFF : Apaga el aire acondicionado.</p> <p>FAN ONLY : Permite el funcionamiento del ventilador a baja velocidad sin enfriar (calentar).</p> <p>LOW COOL : Permite el enfriamiento con el funcionamiento del ventilador a baja velocidad.</p> <p>HIGH COOL : Permite el enfriamiento con el funcionamiento del ventilador a alta velocidad.</p> <p>LOW HEAT : Permite el calentamiento con el ventilador a baja velocidad.</p> <p>HIGH HEAT : Permite el calentamiento con el ventilador a alta velocidad.</p> |
|  <p>TEMP</p> | <p>Gire la perilla de temperatura hacia el valor deseado. La posición central es el valor normal para las condiciones intermedias. Si fuera necesario, este valor se puede cambiar dependiendo de la temperatura que prefiera. El termostato controla automáticamente la refrigeración o la calefacción, pero el ventilador funcionará de forma continua siempre que el aire acondicionado se encuentre en funcionamiento. Gire el control del termostato en el sentido de las agujas del reloj si la temperatura de la habitación es demasiado alta. Gire el control del termostato en el sentido contrario al de las agujas del reloj si la temperatura de la habitación es demasiado fría.</p> |

El compresor se encenderá y apagará para mantener la temperatura establecida en la habitación.

En el modo de calefacción, el calentador eléctrico se encenderá y apagará para mantener la temperatura establecida en la habitación.

ATENCIÓN

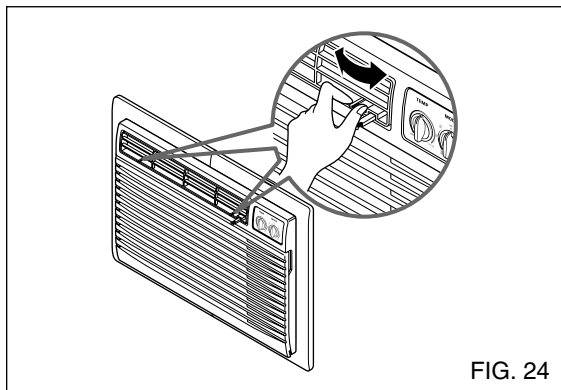
Espere al menos tres minutos antes de volver a establecer el modo de refrigeración si el aire acondicionado funcionaba en el modo de refrigeración o de calefacción y lo apaga o se establece en la posición de ventilación.

Es posible que salga un poco de olor a quemado de la unidad si se cambia a HEAT (calefacción) cuando termine la estación de clima frío. Este olor desaparecerá rápidamente y se debe a las pequeñas partículas de polvo que hay en el calefactor. Este funcionamiento es normal.

FUNCIONAMIENTO

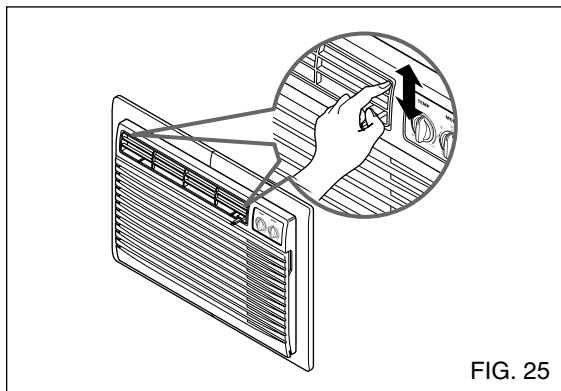
AJUSTE DE LA DIRECCIÓN HORIZONTAL DEL AIRE DEL AIRE

- La dirección horizontal del aire se ajuste moviendo la persiana vertical.
- Los elevadores del control de la persiana vertical se ubican a la derecha y a la izquierda de la descarga de aire.



AJUSTE DE LA DIRECCIÓN VERTICAL DEL AIRE

- La dirección vertical del aire se ajuste moviendo las persianas horizontales.

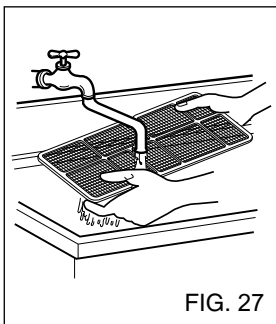
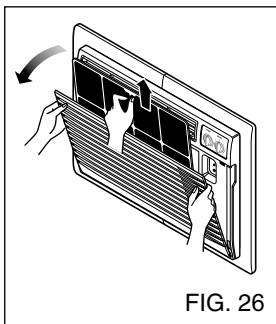


MANTENIMIENTO

LIMPIEZA DEL FILTRO DE AIRE

El filtro de aire se podrá ensuciar al quitar el polvo de la parte interna. Se deberá lavar al menos cada dos semanas. Si el filtro de aire sigue estando sucio, el flujo de aire disminuirá y la capacidad de refrigeración se reducirá produciendo daños en la unidad.

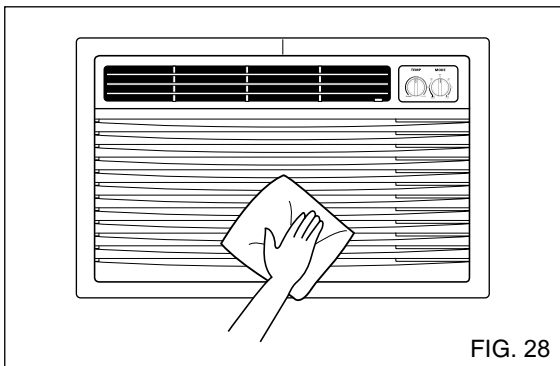
- Empuje la rejilla de entrada hacia delante y saque el filtro de aire. (FIG. 26)
- Lave el filtro de aire bajo el grifo con agua templada. Asegúrese de sacudir toda el agua antes de volver a colocar el filtro. (FIG. 27)



LIMPIEZA DEL APARATO DE AIRE ACONDICIONADO

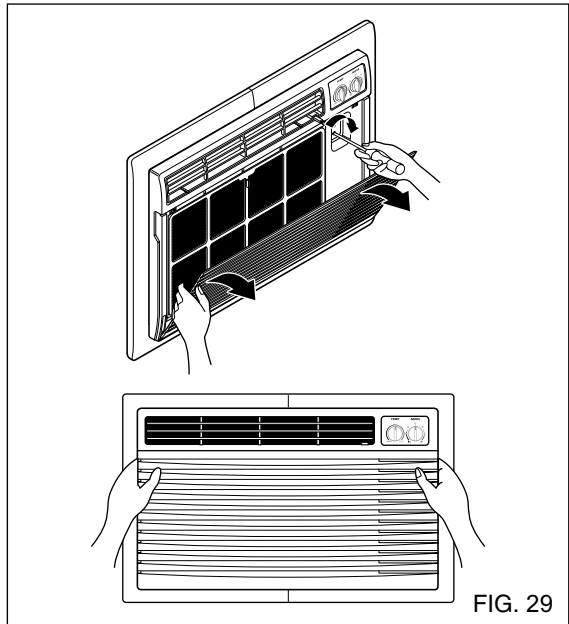
Limpie la rejilla delantera y la rejilla de entrada con un trapo humedecido en una solución de detergente neutro. La cabina se debe limpiar con un jabón o detergente neutro y agua tibia y, a continuación, pulirla con cera líquida.

Para asegurar la máxima eficacia continua, se deben comprobar y limpiar periódicamente los serpentines del condensador (parte externa de la unidad) si se obstruyen con hollín o suciedad de la atmósfera. Cepille o aspire los serpentines exteriores para eliminar los residuos.



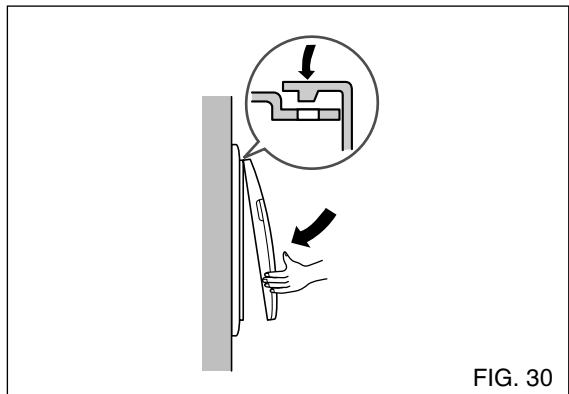
CÓMO EXTRAER LA REJILLA FRONTAL

- Abra la rejilla de entrada.
- Quite los tornillos que aseguran la rejilla delantera.
- Empuje la rejilla hacia arriba desde abajo y saque la parte superior de la rejilla de la carcasa para levantar las pestañas superiores de las ranuras



CÓMO VOLVER A COLOCAR LA REJILLA FRONTAL

Acople la rejilla delantera a la cabina introduciendo las pestañas de la rejilla en las ranuras de la parte delantera de la cabina. Presione sobre la rejilla hasta que encaje en su sitio.



RESOLUCIÓN DE PROBLEMAS

ANTES DE LLAMAR PARA SERVICIO

Cheque la siguiente lista para asegurarse si en realidad es necesario llamar para servicio. Una referencia rápida a este manual puede evitar una llamada para servicio innecesaria.

EL EQUIPO DE AIRE ACONDICIONADO NO FUNCIONA.

Compruebe si...

Después...

| | |
|--|---|
| El dispositivo interruptor de corriente está activado. | Presione el botón RESET situado en la carcasa del enchufe del cable de alimentación. Si el botón RESET no permanece presionado, deje de utilizar el equipo y póngase en contacto con un técnico de servicio cualificado. |
| El enchufe no está conectado en la toma de corriente de pared. | Conecte el enchufe firmemente en la toma de corriente de pared. |
| El fusible está quemado o el interruptor de circuito se ha disparado. | Reemplace el fusible dañado con un fusible de acción retardada o reajuste el interruptor de circuito. |
| El aparato está apagado (OFF). | Oprima el botón de encendido. |
| La unidad se apagó y se volvió a encender demasiado rápido. | Apague la unidad y espere 3 minutos antes de volver a encenderla. |
| El control de temperatura TEMP se ajustó más cálido que la temperatura ambiente. | Gire el control TEMP hacia la derecha, hacia un ajuste más frío. |

EL AIRE DE LA UNIDAD NO SALE BASTANTE FRÍO.

Compruebe si...

Después...

| | |
|---|--|
| El selector de MODO en posición FRÍO BAJO. | Gire el selector hacia la posición FRÍO ALTO |
| Control de TEMP fijado demasiado alto. | Gire el control TEMP hacia la derecha, hacia un ajuste más frío. |
| La temperatura de la habitación es inferior a 70°F (21°C). | No se producirá enfriamiento hasta que la temperatura de la habitación se eleve por encima de 70°F (21°C). |
| El tubo sensor de temperatura está tocando el serpentín frío que está situado detrás del filtro del aire. | Enderece el tubo alejándolo del serpentín. |

EL AIRE ACONDICIONADO ENFRÍA, PERO LA HABITACIÓN SE SIENTE DEMASIADO CÁLIDA; SE FORMA HIELO EN EL SERPENTÍN DE ENFRIAMIENTO DETRÁS DEL PANEL DECORATIVO FRONTAL.

Compruebe si...

Después...

| | |
|--|---|
| La temperatura exterior es inferior a 70°F (21°C). | Para descongelar la bobina, ajuste el selector en la posición FAN (ventilador). |
| El filtro del aire puede estar sucio. | Limpie el filtro de aire. Consulte la sección sobre Mantenimiento en su Guía del Propietario. |
| El control de temperatura se ajustó demasiado. | Para descongelar la bobina, ajuste el selector a una posición FAN (ventilador). |

EL AIRE ACONDICIONADO ENFRÍA, PERO LA HABITACIÓN SE SIENTE DEMASIADO CÁLIDA.

Compruebe si...

Después...

| | |
|---|---|
| El filtro del aire está sucio con lo que se restringe el flujo del aire. | Limpie el filtro del aire. Consulte la sección "Mantenimiento". |
| El control de temperatura TEMP se graduó en posición demasiado cálida. | Gire el control TEMP hacia la derecha, hacia un ajuste más frío. |
| La parte frontal de la unidad está bloqueada por cortinas, persianas, muebles etc. que restringen la distribución del aire. | Elimine el bloqueo enfrente de la unidad. |
| Las puertas, ventanas, rejillas de calefacción, etcétera, están abiertas con lo que se permite el escape del aire frío. | Cierre las puertas, ventanas, rejillas de calefacción, etcétera. |
| La unidad acaba de encenderse en una habitación caliente. | Permita que transcurra un poco más de tiempo para eliminar el "calor almacenado" en las paredes, el techo, el piso y los muebles. |

EL EQUIPO DE AIRE ACONDICIONADO SE APAGA Y SE ENCIENDE RÁPIDAMENTE .

Compruebe si...

Después...

| | |
|---|--|
| La temperatura exterior es extremadamente caliente. | Ajuste MODO en FRÍO ALTO para acelerar el aire que enfría las bobinas. |
|---|--|

SE ESCUCHAN RUIDOS CUANDO LA UNIDAD ESTÁ ENFRIANDO.

Compruebe si...

Después...

| | |
|--|---|
| El sonido del ventilador al chocar contra el agua del sistema de eliminación de humedad. | Esto es normal cuando la humedad es alta. Cierre las puertas, ventanas y rejillas de calefacción. |
| Vibración de la ventana; instalación deficiente. | Lea las instrucciones de instalación o consulte al instalador. |

EL AGUA GOTEA DENTRO DE LA HABITACIÓN CUANDO LA UNIDAD ESTÁ ENFRIANDO.

Compruebe si...

Después...

| | |
|-------------------------|---|
| Instalación inadecuada. | Incline ligeramente el equipo de aire acondicionado hacia la parte exterior para permitir el drenaje del agua. Lea las instrucciones de instalación o consulte al instalador. |
|-------------------------|---|

EL AGUA GOTEA AFUERA CUANDO LA UNIDAD ESTÁ ENFRIANDO.

Compruebe si...

Después...

| | |
|---|---|
| La unidad está extrayendo grandes cantidades de humedad de una habitación húmeda. | Esto es algo normal durante los días excesivamente húmedos. |
|---|---|

NOTA

A series of horizontal dotted lines for writing notes.



Master Protection Agreements

Congratulations on making a smart purchase. Your new Kenmore® product is designed and manufactured for years of dependable operation. But like all products, it may require preventive maintenance or repair from time to time. That's when having a Master Protection Agreement can save you money and aggravation.

The Master Protection Agreement also helps extend the life of your new product. Here's what the Agreement* includes:

- ✓ **Parts and labor** needed to help keep products operating properly **under normal use**, not just defects. Our coverage goes **well beyond the product warranty**. No deductibles, no functional failure excluded from coverage— **real protection**.
- ✓ **Expert service** by a force of more than **10,000 authorized Sears service technicians**, which means someone you can trust will be working on your product.
- ✓ **Unlimited service calls and nationwide service**, as often as you want us, whenever you want us.
- ✓ **"No-lemon" guarantee** - replacement of your covered product if four or more product failures occur within twelve months.
- ✓ **Product replacement** if your covered product can't be fixed.
- ✓ **Annual Preventive Maintenance Check** at your request - no extra charge.
- ✓ **Fast help by phone** – we call it **Rapid Resolution** – phone support from a Sears representative on all products. Think of us as a "talking owner's manual."
- ✓ **Power surge protection** against electrical damage due to power fluctuations.
- ✓ **\$250 Food Loss Protection** annually for any food spoilage that is the result of mechanical failure of any covered refrigerator or freezer.
- ✓ **Rental reimbursement** if repair of your covered product takes longer than promised.
- ✓ **10% discount** off the regular price of any non-covered repair service and related installed parts.

Once you purchase the Agreement, a simple phone call is all that it takes for you to schedule service. You can call anytime day or night, or schedule a service appointment online.

The Master Protection Agreement is a risk free purchase. If you cancel for any reason during the product warranty period, we will provide a full refund. Or, a prorated refund anytime after the product warranty period expires. Purchase your Master Protection Agreement today!

Some limitations and exclusions apply.
For prices and additional information in the U.S.A. call 1-800-827-6655.

*** Coverage in Canada varies on some items. For full details call Sears Canada at 1-800-361-6665.**

Sears Installation Service

For Sears professional installation of home appliances, garage door openers, water heaters, and other major home items, in the U.S.A. or Canada call **1-800-4-MY-HOME®**.

Contratos de protección maestra

Felicitaciones por su compra inteligente. Su nuevo producto Kenmore® está diseñado y fabricado para muchos años de operación confiable. Sin embargo, al igual que todos los puede requerir de mantenimiento o reparación productos, preventivas de vez en cuando. Es ahí cuando el contrato de protección maestra le puede ahorrar dinero y molestias.

El Contrato de protección maestra también le ayuda a ampliar la vida de su nuevo producto. Lo siguiente es lo que se incluye en el contrato*:

- ✓ **Piezas y mano de obra** necesaria para ayudar a mantener los productos en funcionamiento adecuado **bajo un uso normal**, no sólo defectos. Nuestra cobertura va **mucho más allá de la garantía del producto**. Sin franquicia, ni falla funcional excluidos de la cobertura— **protección real**.
- ✓ **Servicio experto** otorgado por un grupo de más de 10,000 técnicos de reparación autorizados de Sears, lo que significa que alguien en quien usted confía trabajará con su producto.
- ✓ **Servicio ilimitado a domicilio en toda la nación**, cuantas veces quiera, cuando lo necesite.
- ✓ **Garantía contra productos defectuosos** reposición de su producto cubierto si ocurren cuatro o más fallas del producto dentro de doce meses.
- ✓ **Reposición del producto** si el producto cubierto no puede repararse.
- ✓ **Revisión anual de mantenimiento preventivo** a su solicitud – sin cargo adicional.
- ✓ **Ayuda telefónica rápida** – lo llamamos **resolución rápida** – asistencia telefónica de parte de un técnico Sears sobre todos los productos. Piense en nosotros como un "manual de usuario que habla".
- ✓ **Protección contra descargas eléctricas** para daños debido a fluctuaciones eléctricas.
- ✓ **Protección por pérdida de alimentos de \$250** anualmente por alimentos que se han echado a perder por un mal funcionamiento de refrigeradores o freezers cubiertos por la garantía.
- ✓ **Reembolso por alquiler** si la reparación del producto cubierto toma más tiempo del prometido.
- ✓ **10% de descuento** del precio común de cualquier reparación no cubierta y piezas instaladas relacionadas.

Una vez que adquiera el contrato, sólo necesita realizar una llamada telefónica para programar el servicio. Puede llamar a cualquier hora del día o de la noche, o programar la cita del servicio por Internet.

El Contrato de protección maestra es una compra libre de riesgo. Si la cancela por cualquier razón durante el período de garantía del producto, le reintegraremos el dinero en su totalidad. O un reintegro prorrateado después de que expire la garantía del producto. ¡Adquiera el Contrato de protección maestra hoy mismo!

Existen ciertas limitaciones y exclusiones.
Para precios e información adicional, llame al 1-800-827-6655.

*** La cobertura en Canadá es diferente en algunos ítems. Para más detalles llame a Sears Canadá al 1-800-361-6665.**

Servicio de instalación de Sears

Para la instalación profesional garantizada de Sears de electrodomésticos, dispositivos para abrir puertas de garaje, calentadores de agua y otros aparatos importantes para el hogar, en los EE.UU. o Canadá llame al **1-800-4-MY-HOME®**.

ENGLISH

ESPAÑOL

Get it fixed, at your home or ours!

Your Home

For repair – **in your home** – of **all** major brand appliances, lawn and garden equipment, or heating and cooling systems, **no matter who made it, no matter who sold it!**

For the replacement parts, accessories and owner's manuals that you need to do-it-yourself.

For Sears professional installation of home appliances and items like garage door openers and water heaters.

1-800-4-MY-HOME® (1-800-469-4663)

Call anytime, day or night (U.S.A. and Canada)

www.sears.com www.sears.ca

For expert home solutions advice: www.managemyhome.com

Our Home

For repair of carry-in items like vacuums, lawn equipment, and electronics, call or go on-line for the location of your nearest

Sears Parts & Repair Service Center

1-800-488-1222 (U.S.A.) 1-800-469-4663 (Canada)

Call anytime, day or night

www.sears.com www.sears.ca

To purchase a protection agreement on a product serviced by Sears:

1-800-827-6655 (U.S.A.)

1-800-361-6665 (Canada)

Para pedir servicio de reparación a domicilio, y para ordenar piezas:

1-888-SU-HOGAR®

(1-888-784-6427)

Au Canada pour service en français:

1-800-LE-FOYER^{MC}

(1-800-533-6937)

www.sears.ca



© Registered Trademark / TM Trademark / SM Service Mark of Sears Brands, LLC

© Marca Registrada / TM Marca de Fábrica / SM Marca de Servicio de Sears Brands, LLC

^{MC} Marque de commerce / ^{MD} Marque déposée de Sears Brands, LLC

© Sears Brands, LLC

Part No.: MFL38096004