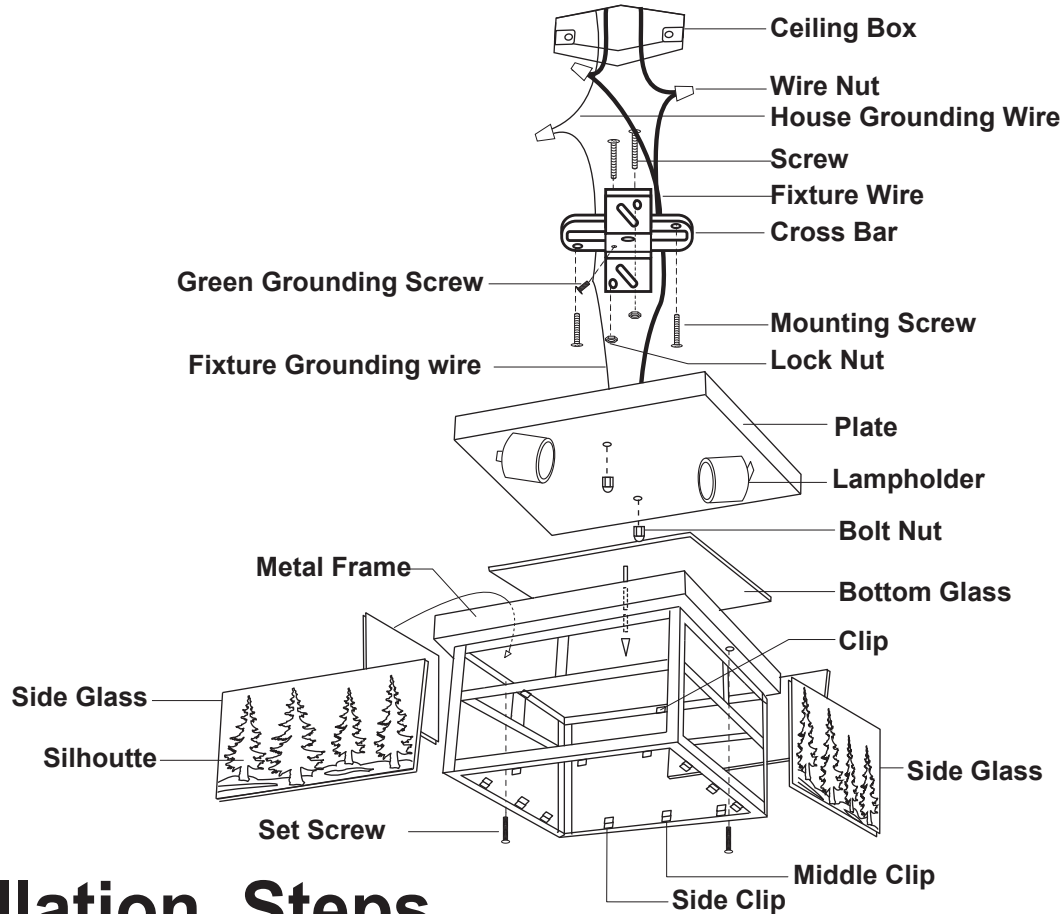


ASSEMBLY AND INSTALLATION INSTRUCTIONS

OF33412

WARNING: TO AVOID RISK OF ELECTRICAL SHOCK, BE SURE TO SHUT OFF POWER WHILE INSTALLING OR SERVICING THIS FIXTURE.

NOTE: Before installing, consult local electrical codes for wiring and grounding requirements.



Installation Steps

1. Thread the two screws to the cross bar, and then secure with two lock nuts. (You can adjust the length of the screws if necessary.)
 2. Attach the cross bar to the ceiling box by using two mounting screws.
 3. Make wire connections with wire nuts:
 - The black wire from fixture to the black wire from power source.
 - The white wire from fixture to the white wire from power source.
 - Attach the fixture grounding wire to the cross bar with the green grounding screw. Then connect it to the house grounding wire with the wire nut.Carefully tuck wires back into the ceiling box.
 4. Attach the plate to the cross bar by inserting the two screws, and then secure with the bolt nuts.
 5. Install bulbs. (Please do not exceed the maximum capacity that is recommended on the package.)
 6. Place the bottom glass into the metal frame, and then secure it with four middle clips which are on the bottom of the metal frame.
 7. Place the side glasses into the metal frame, and then press the clips which are on the top of the metal frame and the side clips which are on the bottom of the metal frame to fix them.
- NOTE: Make sure the silhouette is outward and do not reverse while assembling the side glasses.**
8. Attach the metal frame to the plate, and then secure it with two set screws.
 9. Turn power on at fuse or circuit box.