



DRAPER[®]

750W DUST

EXTRACTOR

79359



These instructions accompanying the product are the original instructions. This document is part of the product, keep it for the life of the product passing it on to any subsequent holder of the product. Read all these instructions before assembling, operating or maintaining this product.

This manual has been compiled by Draper Tools describing the purpose for which the product has been designed, and contains all the necessary information to ensure its correct and safe use. By following all the general safety instructions contained in this manual, it will ensure both product and operator safety, together with longer life of the product itself.

All photographs and drawings in this manual are supplied by Draper Tools to help illustrate the operation of the product.

Whilst every effort has been made to ensure the accuracy of information contained in this manual, the Draper Tools policy of continuous improvement determines the right to make modifications without prior warning.

1. TITLE PAGE

1.1 INTRODUCTION:

USER MANUAL FOR: 750W Dust Extractor

Stock No: 79359

Part No: DE750A

1.2 REVISION HISTORY:

Date first published: February 2015.

First revision date: April 2020.

As our user manuals are continually updated, users should make sure that they use the very latest version.

Downloads are available from: <http://drapertools.com/manuals>

Draper Tools Limited
Hursley Road
Chandler's Ford
Eastleigh
Hampshire
SO53 1YF
UK

Website: drapertools.com

Product help line: +44 (0) 23 8049 4344

General Fax: +44 (0) 23 8026 0784

1.3 UNDERSTANDING THIS MANUAL'S SAFETY CONTENT:

WARNING! – Information that draws attention to the risk of injury or death.

CAUTION! – Information that draws attention to the risk of damage to the product or surroundings.

1.4 COPYRIGHT © NOTICE:

Copyright © Draper Tools Limited.

Permission is granted to reproduce this publication for personal and educational use only. Commercial copying, redistribution, hiring or lending is prohibited.

No part of this publication may be stored in a retrieval system or transmitted in any other form or means without written permission from Draper Tools Limited.

In all cases this copyright notice must remain intact.

2. CONTENTS

2.1 CONTENTS

1	TITLE PAGE	
1.1	INTRODUCTION	2
1.2	REVISION HISTORY	2
1.3	UNDERSTANDING THIS MANUAL	2
1.4	COPYRIGHT NOTICE	2
2	CONTENTS	
2.1	CONTENTS	3
3	GUARANTEE	
3.1	GUARANTEE	4
4	INTRODUCTION	
4.1	SPECIFICATION	5
4.2	HANDLING & STORAGE	5
5	HEALTH & SAFETY INFORMATION	
5.1	GENERAL SAFETY INSTRUCTIONS FOR POWER TOOL USE	6
5.2	ADDITIONAL SAFETY INSTRUCTIONS FOR DUST EXTRACTORS	7
5.3	RESIDUAL RISK	9
5.4	CONNECTION TO THE POWER SUPPLY	9
6	TECHNICAL DESCRIPTION	
6.1	IDENTIFICATION	10
7	UNPACKING & CHECKING	
7.1	PACKAGING	11
7.2	WHAT'S IN THE BOX?	11
8	PREPARING THE DUST EXTRACTOR	
8.1	CASTORS	12
8.2	MOTOR/DUCTING UNIT & COLLECTION BAG DUCTING	12
8.3	UPRIGHT SUPPORTS	12
8.4	ASSEMBLY TO BASE	13
8.5	UPPER BAG HOOK	13
8.6	UPPER AND LOWER BAGS	13
8.7	COLLECTION HOSE & FLOOR ATTACHMENT	13
9	OPERATING INSTRUCTIONS	
9.1	NO-VOLT ON/OFF SWITCH	14
9.2	EMPTYING THE COLLECTION BAG	14
10	EXPLANATION OF SYMBOLS	
10.1	EXPLANATION OF SYMBOLS	15
11	DISPOSAL	
11.1	DISPOSAL	15
	DECLARATION OF CONFORMITY	ENCLOSED

3. WARRANTY

3.1 WARRANTY

Draper tools have been carefully tested and inspected before shipment and are guaranteed to be free from defective materials and workmanship.

Should the tool develop a fault, please return the complete tool to your nearest distributor or contact

Draper Tools Limited, Chandler's Ford, Eastleigh, Hampshire, SO53 1YF. England.

Telephone Sales Desk: (023) 8049 4333 or Product Help Line (023) 8049 4344.

A proof of purchase **must** be provided with the tool.

If upon inspection it is found that the fault occurring is due to defective materials or workmanship, repairs will be carried out free of charge. This warranty period covering parts is 24 months and labour is 12 months from the date of purchase except where tools are hired out when the warranty period is 90 days from the date of purchase. This warranty does not apply to any consumable parts, any type of battery or normal wear and tear, nor does it cover any damage caused by misuse, careless or unsafe handling, alterations, accidents, or repairs attempted or made by any personnel other than the authorised Draper warranty repair agent.

Note: If the tool is found not to be within the terms of warranty, repairs and carriage charges will be quoted and made accordingly.

This warranty applies in lieu of any other warranty expressed or implied and variations of its terms are not authorised.

Your Draper warranty is not effective unless you can produce upon request a dated receipt or invoice to verify your proof of purchase within the warranty period.

Please note that this warranty is an additional benefit and does not affect your statutory rights.

Draper Tools Limited.

4. INTRODUCTION

4.1 SCOPE

This machine is designed for DIY, hobbyist, home/school workshops. Any other application is considered misuse.

4.2 SPECIFICATION

Stock no.	79359
Part no.	DE750A
Voltage	230V/50Hz
Motor	750W (1HP)
Capacity.....	55ltr
Air flow	14.15m ³ /min (500cfm)
Filtration.....	5 micron
Intake diameter.....	100mm
Bag dimensions	370(D) x 640(H) mm
Vibration level.....	<2.5m/s ²
Weight	27kg

4.3 HANDLING AND STORAGE

- Care must be taken when handling this product.
 - Dropping this power tool could have an effect on its accuracy and could also result in personal injury. This product is not a toy and must be respected.
- Environmental conditions can have a detrimental effect on this product if neglected.
 - Exposure to damp air can gradually corrode components.
 - If the product is unprotected from dust and debris, components will become clogged.
 - If not cleaned and maintained correctly or regularly, the machine will not perform at its best.

5. HEALTH AND SAFETY INFORMATION

5.1 GENERAL SAFETY INSTRUCTIONS FOR POWER TOOL USE

When using any type of power tool there are steps that should be taken to make sure that you, as the user, remain safe.

Common sense and a respect for the tool will help reduce the risk of injury.

Read the instruction manual fully. Do not attempt any operation until you have read and understood this manual.

Most important you must know how to safely start and stop this machine, especially in an emergency.

Keep the work area tidy and clean. Attempting to clear clutter from around the machine during use will reduce your concentration. Mess on the floor creates a trip hazard. Any liquid spilt on the floor could result in you slipping.

Find a suitable location. If the machine is bench mounted the location should provide good natural light or artificial lighting as a replacement. Avoid damp and dust locations as it will have a negative effect on the machine's performance. If the machine is portable do not expose the tool to rain. In all cases do not operate power tools near any flammable materials.

Keep bystanders away. Children, onlookers and passers by must be restricted from entering the work area for their own protection. The barrier must extend a suitable distance from the tool user. Unplug and house all power tools that are not in use. A power tool should never be left unattended while connected to the power supply. They must be housed in a suitable location, away locked up and from children. This includes battery chargers.

Do not overload or misuse the tool. All tools are designed for a purpose and are limited to what they are capable of doing. Do not attempt to use a power tool (or adapt it in any way) for an application it is not designed for. Select a tool appropriate for the size of the job. Overloading a tool will result in tool failure and user injury. This covers the use of accessories.

Dress properly. Loose clothing, long hair and jewellery are all dangerous because they can become entangled in moving machinery. This can also result in parts of body being pulled into the machine. Clothing should be close fitted, with any long hair tied back and jewellery and neck ties removed. Footwear must be fully enclosed and have a non-slip sole.

Wear personal protective equipment (PPE). Dust, noise, vibration and swarf can all be dangerous if not suitably protected against. If the work involving the power tool creates dust or fumes wear a dust mask. Vibration to the hand, caused by operating some tools for longer periods must be protected against. Wear vibration reducing gloves and allow long breaks between uses. Protect against dust and swarf by wearing approved safety goggles or a face shield. These are some of the more common hazards and preventions however, always find out what hazards are associated with the machine/work process and wear the most suitable protective equipment available.

Do not breathe contaminated air. If the work creates dust or fumes connect the machine (if possible) to an extraction system either locally or remotely. Working outdoors can also help if possible.

Move the machine as instructed. If the machine is hand held, do not carry it by the power supply cable. If the product is heavy, employ a second or third person to help move it safely or use a mechanical device. Always refer to the instructions for the correct method.

Do not overreach. Extending your body too far can result in a loss of balance and you falling. This could be from a height or onto a machine and will result in injury.

Maintain your tools correctly. A well maintained tool will do the job safely. Replace any damaged or missing parts immediately with original parts from the manufacturer. As applicable keep blades sharp moving parts clean, oiled or greased handles clean and emergency devices working.

Wait for the machine to stop. Unless the machine is fitted with a safety brake, some parts may continue to move due to momentum. Wait for all parts to stop, then unplug it from the power supply before making any adjustments, carrying out maintenance operations or just finishing using the tool.

Remove and check setting tools. Some machinery requires the use of additional tools or keys to set, load or adjust the power tool. Before starting the power tool always check to make certain they have been removed and are safely away from the machine.

Prevent unintentional starting. Before plugging any machine in to the power supply, make sure the switch is in the OFF position. If the machine is portable, do not hold the machine near the switch and take care when putting the machine down, that nothing can operate the switch.

Carefully select an extension lead. Some machines are not suitable for use with extension leads. If the tool is designed for use outdoors, use an extension lead also suitable for that environment. When using an extended lead, select one capable of handling the current (amps) drawn by the machine in use. Fully extend the lead regardless of the distance between the power supply and the tool. Excess current (amps) and a coiled extension lead will both cause the cable to heat up and can result in fire.

Concentrate and stay alert. Distractions are likely to cause an accident. Never operate a power tool if you are under the influence of drugs (prescription or otherwise), including alcohol or if you are feeling tired. Being disorientated will result in an accident.

Have this tool repaired by a qualified person. This tool is designed to conform to the relevant international and local standards and as such should be maintained and repaired by someone qualified, using only original parts supplied by the manufacturer. This will ensure the tool remains safe to use.

5.2 ADDITIONAL SAFETY INSTRUCTIONS FOR DUST EXTRACTORS

When using your dust extractor, follow these basic safety precautions:

Warning!

To reduce the risk of fire, electric shock or injury, read and understand this instruction manual and all labels on the dust extractor before operating, use only as described in this manual.

- **The motor duct** contains a high speed fan blade that can severely injure, grab loose clothing & propel dust at high velocities. **DO NOT OPERATE WITHOUT ALL PARTS FULLY ASSEMBLED.**
- **Do not** attempt to clean, remove the dust bags or service the unit when the power is “ON”. Turn the unit “OFF” and disconnect the cable from the power supply.
- **Static shocks** are common in dry areas or when the relative humidity of the air is low.
- **Sparks** inside the electrical parts can ignite flammable vapours.
- **Do not** vacuum, or use the dust extractor near flammable or combustible liquids, gases, other fuels, cleaners, oil-based paints or explosive dusts, e.g. coal dust, grain dust or gun powder.
- **Do not** vacuum anything that is burning or smoking, such as cigarettes, matches or hot ashes.
- **To avoid health hazards** from vapours or dusts, do not vacuum toxic materials.
- **Do not** use or store near hazardous material.
- **Do not** use outdoors or on wet surfaces.
- **Put the unit** on a stable, level surface.
- **Position** the vacuum hose and electric cable away from pedestrian or vehicle traffic areas.
- **Do not allow** the unit to be used as a toy. Do not use near children.

5. HEALTH AND SAFETY INFORMATION

- **Do not leave** the dust extractor plugged in. Unplug from the power supply when not in use and before servicing.
- **To avoid injury** from accidental starting, unplug the power cable before changing or cleaning the dust bag.
- **Do not** use without the dust bag in place.
- **Do not** unplug by pulling on the cable. To unplug, grasp the plug, not the cable.
- **Turn off the control** before unplugging.
- **Do not** use with a damaged cable, plug or other parts. If your dust extractor is not working as it should, has missing parts, has been dropped, damaged, left outdoors, or dropped into water, return it to an authorised service agent for immediate repair, along with proof of purchase.
- **Do not** pull or carry by the cable, or use the cable as a handle or pull the cable around sharp edges or corners. Do not run the dust extractor over the cable. Keep the cable away from heated surfaces.
- **Do not** handle the plug of the dust extractor with wet hands.
- **Do not** put any object into the ventilation openings. Do not vacuum with any ventilation opening blocked; keep free of dust, lint, hair or anything that may reduce air flow.
- **Keep** hair, loose clothing, finger and all parts of the body away from the openings and moving parts.
- **Extension cables** in poor condition or that are too small can cause fire and shock hazards. When using an extension cable, be sure it is in good condition and suitable for the amperage rating of this machine.
- **Connect** to a correctly earthed power supply only.
- **Caution:** If using this dust extractor to help reduce airborne wood dust in heavy usage within acceptable limits, you must regularly monitor airborne dust and empty/maintain your dust extractor to avoid exceeding dust limits. Each application is unique. Your maintenance schedule must therefore be tailored to your specific use of this dust extractor.
- **Safety** is a combination of common sense, staying alert and knowing how your dust extractor works.

Warning!

To avoid mistakes that could result in serious injury, do not connect the power cable until the following steps have been completed.

Before using the dust extractor:

- Complete the assembly.
- Learn the function and use of the “ON/OFF” switch.
- Read and understand all safety instruction and operating procedures throughout the manual.
- Read the labels which appear on the dust extractor.

Before each use:

- Inspect your dust extractor if any parts are missing, bent or failed in any way or any electrical components do not work properly, turn off the dust extractor, turn off the switch and remove the plug from the power supply. Replace damaged, missing or failed parts before using the dust extractor again.
- Plan your work and protect your eyes, hands, face, ears and body.

When cleaning collection bags:

- Always wear an approved dust mask.


5.3 RESIDUAL RISK

Important: Although the safety instructions and operating manuals for our tools contain extensive instructions of safe working with power tools, every power tool involves a certain residual risk which can not be completely excluded by safety mechanisms. Power tools must therefore always be operated with caution!

5.4 CONNECTION TO THE POWER SUPPLY

Caution: Risk of electric shock. Do not open.

This appliance is supplied with a moulded 3 pin mains plug for your safety. The value of the fuse fitted is marked on the pin face of the plug. Should the fuse need replacing, ensure the substitute is of the correct rating, approved to BS1362 and ASTA or BS Kite marked.

ASTA 

BSI 


Make sure the power supply information on the machine's rating plate are compatible with the power supply you intend to connect it to.

If a replacement plug is to be fitted this must be carried out by a qualified electrician.

The damaged or incomplete plug, when cut from the cable shall be disabled to prevent connection to a live electrical outlet.

This appliance is Class I † and is designed for connection to a power supply matching that detailed on the rating label and compatible with the plug fitted.

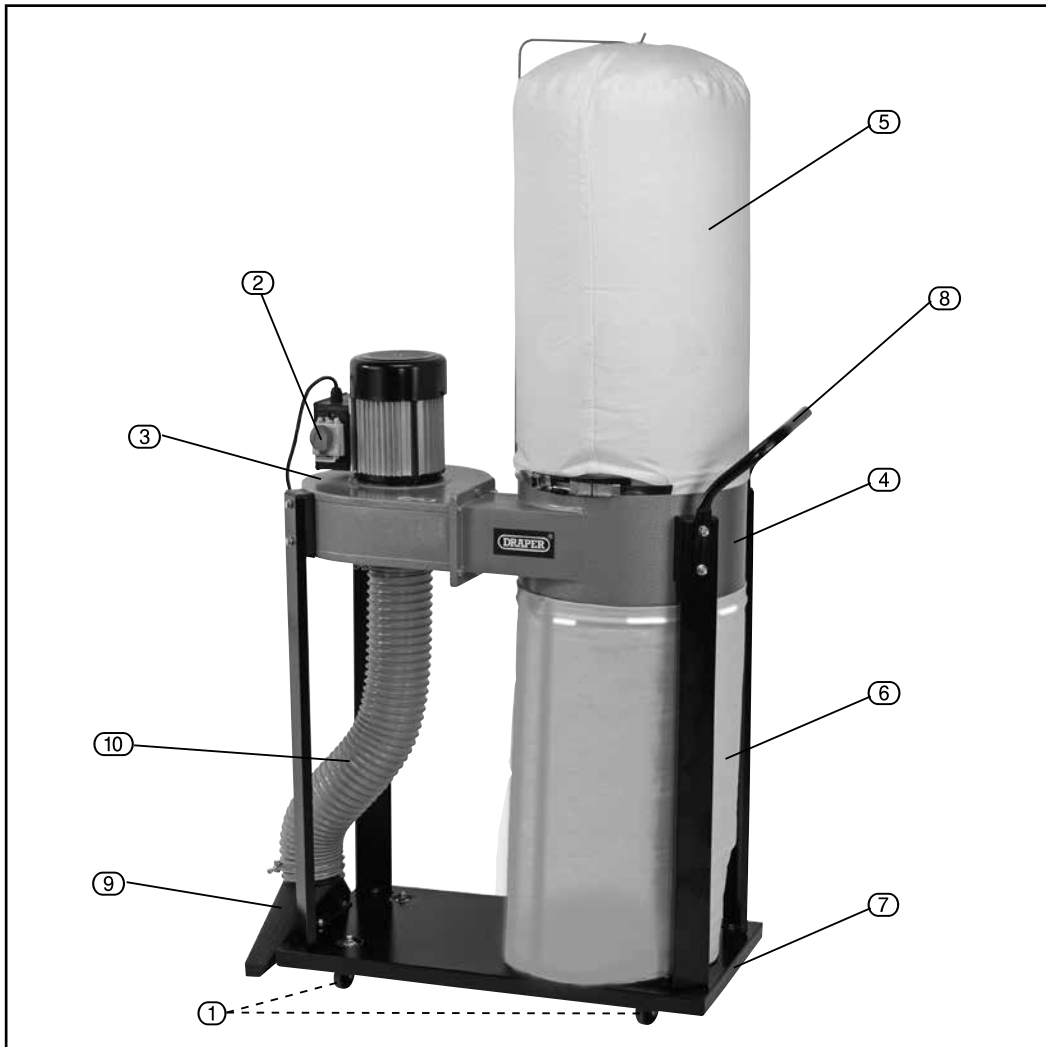
If an extension lead is required, use an approved and compatible lead rated for this appliance. Follow all the instruction supplied with the extension lead.

†Earthed:  This product requires an earth connection to protect against electric shock from accessible conductive parts in the event of a failure of the basic insulation.

Important: If using an extension lead, follow the instructions that came with your lead regarding maximum load while cable is wound. If in doubt, ensure that the entire cable is unwound. Using a coiled extension lead will generate heat which could melt the lead and cause a fire.

6. TECHNICAL DESCRIPTION

6.1 IDENTIFICATION



① Castors (x4)

② No-volt on/off switch

③ Motor/ducting unit

④ Collection bag ducting

⑤ Filter bag

⑥ Collection bag

⑦ Base

⑧ Handle

⑨ Floor attachment

⑩ Hose

7. UNPACKING AND CHECKING

7.1 PACKAGING

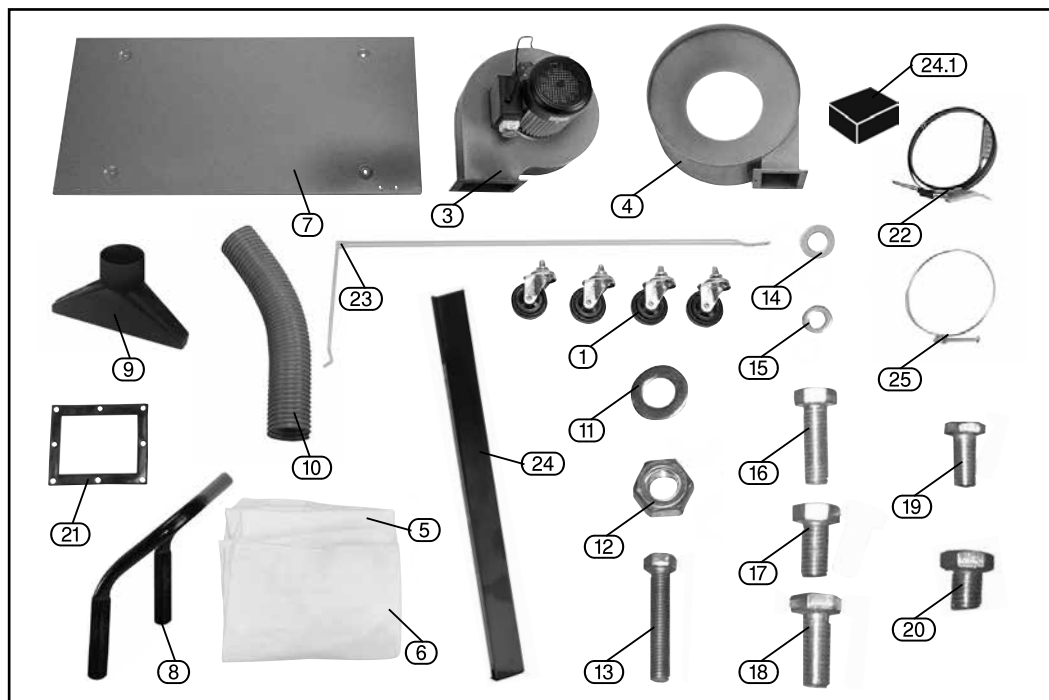
Carefully remove the product from the packaging and examine it for any sign of damage that may have happened during shipping. Lay the contents out and check them against the parts shown below. If any part is damaged or missing, please contact the Draper Help Line (the telephone number appears on the Title page) and do not attempt to use the product.

The packaging material should be retained at least during the warranty period, in case the machine needs to be returned for repair.

Warning!

- Some of the packaging materials used may be harmful to children. Do not leave any of these materials in the reach of children.
- If any of the packaging is to be thrown away, make sure they are disposed of correctly, according to local regulations.

7.2 WHAT'S IN THE BOX



① Castors with 8mm screws and 8mm M4 nuts (x4)

③ Motor/ducting unit

④ Collection bag ducting

⑤ Filter bag

⑥ Collection bag

⑦ Base

⑧ Handle

⑨ Floor attachment

⑩ Hose.

⑪ 15 x 8mm Ø flat washers

⑫ 4 x M8 nuts

⑬ 4 x M8 x 45mm bolts

⑭ 6 x 6mm Ø flat washers

⑮ 2 x 4mm Ø flat washers

⑯ 4 x M8 x 25mm bolts

⑰ 2 x M8 x 15mm bolts

⑱ 6 x M6 x 15mm bolts

⑲ 2 x M4 x 10mm bolts

⑳ 4 x M8 x 10mm bolts

㉑ Gasket

㉒ Straps (x2)

㉓ Bag hook

㉔ Upright support

㉔.1 Spacing block

㉕ Hose clamps (x2)

8. PREPARING THE DUST EXTRACTOR

Note: Remove the plug from the socket before carrying out adjustment, servicing or maintenance.

8.1 CASTORS – FIG. 1

Align the castors (1) on the underside of base (7) and secure with the four cross slot machine screws (8mm long), 8mm flat washers (11) and the 8mm (M4) nuts.

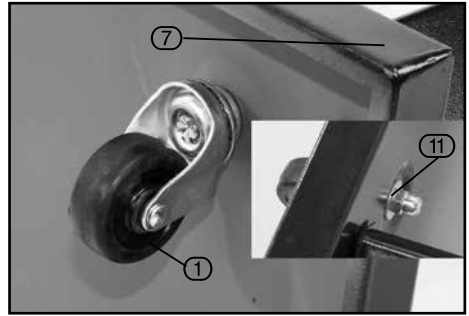


FIG. 1

8.2 MOTOR/DUCTING UNIT & COLLECTION BAG DUCTING – FIG. 2

Align the motor/ducting unit (3) with the collection bag ducting (4). Insert gasket (21) between the two ducts before securing with the six (M6 x 15mm) bolts (18).

Note: Ensure there is one washer per bolt.

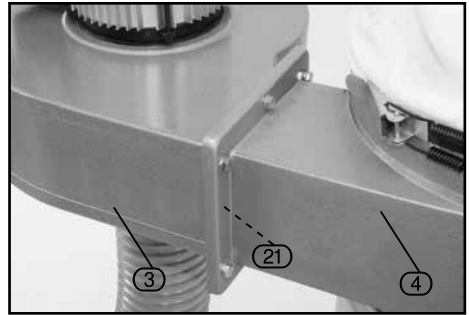


FIG. 2

8.3 UPRIGHT SUPPORTS – FIGS. 3 – 4

Pass the two (M8 x 25mm) bolts (16) through the upright support (24). The spacing block (24.1) and secure into the motor/ducting unit (3).

Note: Ensure there is one washer per bolt.

Pass the two (M8 x 45mm) bolts (13) through the handle (8), the upright support (24), the spacing block (24.1) and the collection bag ducting (4) and secure in place with the (M8) nuts (12).

Note: Ensure there are two washers per bolt, one either side of the assembly.

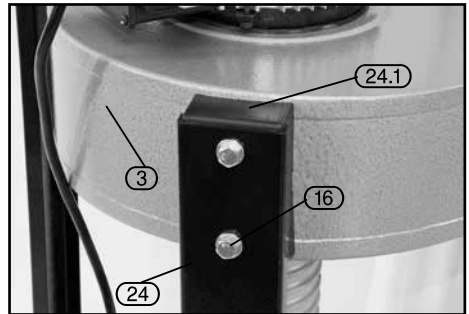


FIG. 3

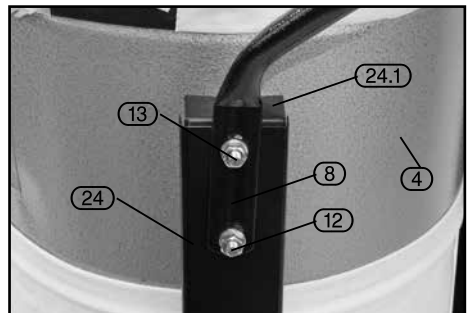


FIG. 4

8.4 ASSEMBLY TO BASE – FIG. 5

Position the upright support (24) and the motor/ collection bag ducting assembly (3)/(4) onto the base (7) in line with the remaining holes. Secure to the base with the 13mm (M8x10mm) bolts (20).

Note: Ensure there is one washer per bolt.

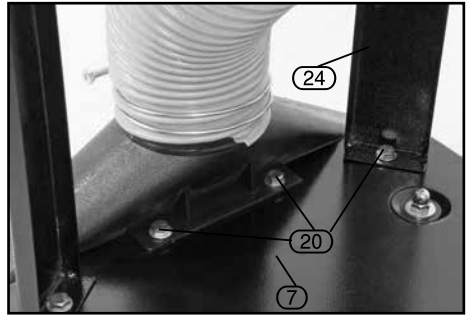


FIG. 5

8.5 UPPER BAG HOOK – FIG. 6

Secure the upper bag hook (23) to the collection bag duct using the two M4 x 10mm bolts (19) and washers.

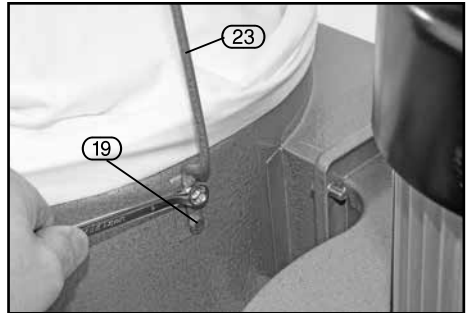


FIG. 6

8.6 UPPER & LOWER BAGS – FIG. 7

Position the upper and lower bags (5) and (6) over the collection bag duct aperture (4). Overlap the metal strap (22) and with the clamp (22.1) in the open position, hook the spring over one of the teeth (22.2). Close the clamp (22.1) to secure the bag in place.

Ensure the bag is located fully and is straight to avoid an air gap which will allow dust to escape.

8.7 COLLECTION HOSE & FLOOR ATTACHMENT – FIG. 8

Using the hose clamps (25), attach the flexible hose (10) to the outlet on the underside of the motor/ducting unit (3).

Connect the other end to the floor attachment (9).

Secure the floor attachment to the base (7) with the remaining (M8 x 10mm) bolts (20) (as shown in fig. 5).

Note: Ensure there is one washer per bolt.

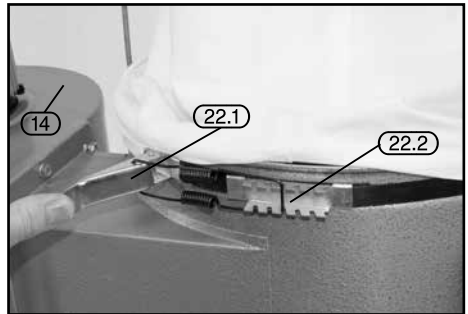


FIG. 7

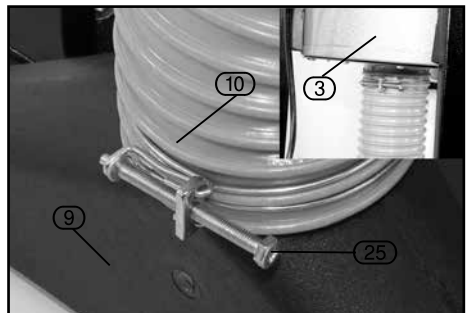


FIG. 8

9. OPERATING INSTRUCTIONS

9.1 NO-VOLT ON/OFF SWITCH – FIG. 9

The dust extractor is equipped with a no-volt on/off switch (2).

In the event of a power supply disruption, the machine will require manually restarting once power has been returned.

To switch the machine on, press the green button marked 'I' (2.1).

To switch the machine off, press the red button marked 'O' (2.2). The yellow cover with integral red stop button (2.3) must be left covering the switches so, in the event of an accident or emergency, striking the stop button will activate the off switch.

IMPORTANT: Always wear an approved dust mask and goggles when operating this machine.

Note: Remove the plug from the socket before carrying out adjustment, servicing or maintenance.

9.2 EMPTYING THE COLLECTION BAG

This should be carried out at regular intervals or when the airborne dust content increases.

Depending on the workload, this may be necessary more often.

IMPORTANT: This machine is not suitable for fine dust or hazardous dust such as medium density fibreboard (MDF).

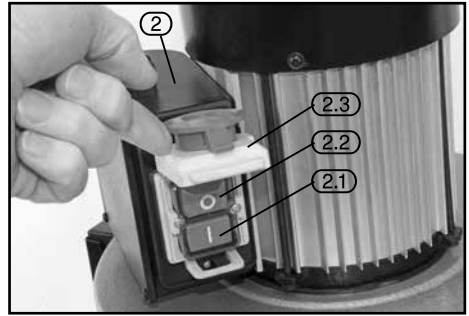


FIG. 9

10. EXPLANATION OF SYMBOLS

10.1 EXPLANATION OF SYMBOLS



Read the instruction manual.



Wear face mask and safety glasses.



Wear ear defenders.



Wear protective gloves.



Do not abandon into the environment.



Keep out of the reach of children.



Warning!



WEEE – Waste Electrical & Electronic Equipment.

Do not dispose of Waste Electrical & Electronic Equipment in with domestic rubbish.



Continuous A-Weighted Sound Pressure Level.

11. DISPOSAL

11.1 DISPOSAL

- At the end of the machine's working life, or when it can no longer be repaired, ensure that it is disposed of according to national regulations.
- Contact your local authority for details of collection schemes in your area.

In all circumstances:

- Do not dispose of power tools with domestic waste.
- Do not incinerate.
- Do not dispose of WEEE* as unsorted municipal waste.



* *Waste Electrical & Electronic Equipment.*

CONTACTS

Draper Tools Limited, Hursley Road,
Chandler's Ford, Eastleigh, Hampshire. SO53 1YF. U.K.

Help line: (023) 8049 4344

Sales desk: (023) 8049 4333

Internet: drapertools.com

E-mail: sales@drapertools.com

General enquiries: (023) 8026 6355

Service/Warranty Repair Agent:

For aftersales servicing or warranty repairs, please contact the Draper Tools help line for details of an agent in your local area.

YOUR DRAPER STOCKIST

RDTL0420

©Published by Draper Tools Limited.

No part of this publication may be reproduced, stored in a retrieval system or transmitted in any form or by any means, electronic, mechanical photocopying, recording or otherwise without prior permission in writing from Draper Tools Ltd.