

The word "dreame" is the abbreviation of Dreame Technology Co., Ltd. and its subsidiaries in China. It is the transliteration of the company's Chinese name "追觅", which means striving for excellence in every endeavor and reflects the company's vision of continuous pursuit, exploration and search in technology.



For more support, contact us via [support.us@dreame.tech](mailto:support.us@dreame.tech)

Website: <https://global.dreame.tech.com>

Tel: +1 (866) 977-5177

Manufactured by: Dreame Trading (Tianjin) Co., Ltd.

Address: Room 2112-1-1, South District, Finance and Trade Center, No.6975 Yazhou Road, Dongjiang Bonded Port Area, Tianjin Pilot Free Trade Zone, Tianjin, China

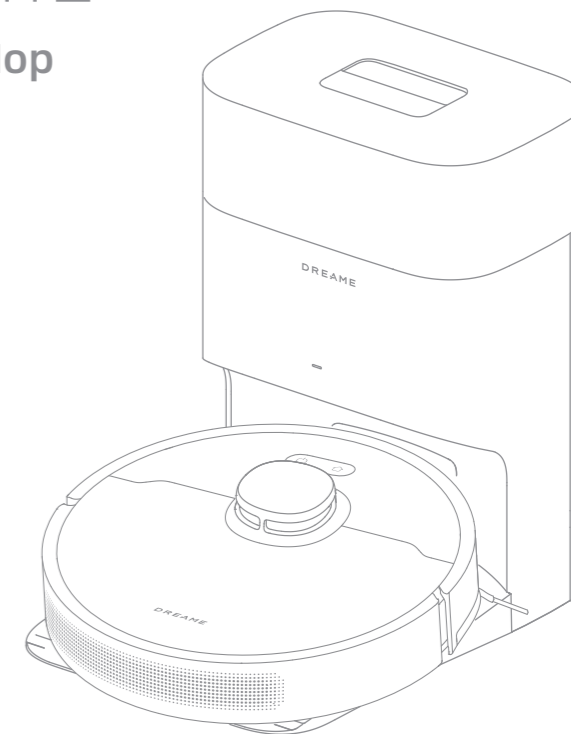
Made in China



RLD32GD-US-A00

# Dreame D10 Plus Gen 2

## Auto-Empty Robot Vacuum and Mop User Manual



The illustrations in this manual are for reference only. Please refer to the actual product.

**DREAME**



## Contents

|                                      |    |
|--------------------------------------|----|
| <b>EN</b> User Manual .....          | 1  |
| <b>FR</b> Manuel d'utilisation ..... | 29 |
| <b>ES</b> Manual de usuario .....    | 57 |

## Safety Information

### IMPORTANT SAFETY INSTRUCTIONS

When using an electrical appliance, basic precautions should always be followed, including the following: **READ ALL INSTRUCTIONS BEFORE USING (THIS APPLIANCE)**, Failure to follow the warnings and instructions may result in electric shock, fire and/or serious injury.

### SAVE THESE INSTRUCTIONS

Household use only.

**WARNING** - To reduce the risk of fire, electric shock, or injury:

- Do not use outdoors or on wet surfaces.
- Do not allow to be used as a toy. Close attention is necessary when used by or near children, pets or plants.
- Use only as described in this manual. Use only manufacturer's recommended attachments.
- Do not use with damaged cord or plug. If appliance is not working as it should, has been dropped, damaged, left outdoors, or dropped into water, return it to a service center.
- Do not pull or carry by cord, use cord as a handle, close a door on cord, or pull cord around sharp edges or corners. Do not run appliance over cord. Keep cord away from heated surfaces.
- Do not unplug by pulling on cord. To unplug, grasp the plug, not the cord.
- Do not handle the base station with auto-empty, including charger plug, and charger terminals with wet hands.
- Do not put any object into openings. Do not use with any opening blocked; keep free of dust, lint, hair, and anything that may reduce air flow.

## Safety Information

- Keep hair, loose clothing, fingers, and all parts of body away from openings and moving parts.
- Turn off all controls before unplugging.
- Do not use to pick up flammable or combustible liquids, such as gasoline, or use in areas where they may be present.
- Connect to a properly grounded outlet only. See Grounding Instructions.
- Do not pick up anything that is burning or smoking, such as cigarettes, matches, or hot ashes.
- Do not use without dust bag.
- Prevent unintentional starting. Ensure the switch is in the off-position before connecting to battery pack, picking up or carrying the appliance. Carrying the appliance with your finger on the switch or energizing the appliance that has the switch on invites accidents.
- Do not use and store in extremely hot or cold environments (below 0°C/ 32 °F or above 40°C/104 °F). Please charge the robot in temperature above 0°C/ 32 °F and below 40°C/104 °F.
- Recharge only with the charger specified by the manufacturer. A charger that is suitable for one type of battery pack may create a risk of fire when used with another battery pack.
- Use appliances only with specifically designated battery packs. Use of any other battery packs may create a risk of injury and fire.
- When battery pack is not in use, keep it away from other metal objects, like paper clips, coins, keys, nails, screws or other small metal objects, that can make a connection from one terminal to another. Shorting the battery terminals together may cause burns or a fire.
- Under abusive conditions, liquid may be ejected from the battery; avoid contact. If contact accidentally occurs, flush with water. If liquid contacts eyes, additionally seek medical help. Liquid ejected from the battery may cause irritation or burns.
- Do not use a battery pack or appliance that is damaged or modified. Damaged or modified batteries may exhibit unpredictable behavior resulting in fire, explosion or risk of injury.
- Do not expose a battery pack or appliance to fire or excessive temperature. Exposure to fire or temperature above 130°C/266 °F may cause explosion.
- Follow all charging instructions and do not charge the battery pack or appliance outside of the temperature range specified in the instructions. Charging improperly or at temperatures outside of the specified range may damage the battery and increase the risk of fire.



## Safety Information

- Have servicing performed by a qualified repair person using only identical replacement parts. This will ensure that the safety of the product is maintained.
- Do not modify or attempt to repair the appliance or the battery pack except as indicated in the instructions for use and care.
- Place the cords from other appliances out of the area to be cleaned.
- Do not operate the vacuum in a room where an infant or child is sleeping.
- Do not operate the vacuum in an area where there are lit candles or fragile objects on the floor to be cleaned.
- Do not operate the vacuum in a room that has lit candles on furniture that the vacuum may accidentally hit or bump into.
- Do not allow children to sit on the vacuum.
- Do not use the vacuum on a wet surface.
- Use only with RCDD0202 supply unit.
- Risk Of Injury. Brush May Start Unexpectedly. Switch off the appliance and Remove the brush Before Cleaning or Servicing.
- Unplug before cleaning or servicing.

### Caution:

This device complies with Part 15 of the FCC Rules / Innovation, Science and Economic Development Canada's licence-exempt RSS(s). Operation is subject to the following two conditions: (1) this device may not cause harmful interference. (2) this device must accept any interference received, including interference that may cause undesired operation.

Changes or modifications not expressly approved by the party responsible for compliance could void the user's authority to operate the equipment.

## Safety Information

This equipment has been tested and found to comply with the limits for a Class B digital device, pursuant to part 15 of the FCC Rules. These limits are designed to provide reasonable protection against harmful interference in a residential installation. This equipment generates uses and can radiate radio frequency energy and, if not installed and used in accordance with the instructions, may cause harmful interference to radio communications. However, there is no guarantee that interference will not occur in a particular installation. If this equipment does cause harmful interference to radio or television reception, which can be determined by turning the equipment off and on, the user is encouraged to try to correct the interference by one or more of the following measures:

- Reorient or relocate the receiving antenna.
- Increase the separation between the equipment and receiver.
- Connect the equipment into an outlet on a circuit different from that to which the receiver is connected.
- Consult the dealer or an experienced radio/TV technician for help.

### MPE Reminding

To satisfy FCC / IC RF exposure requirements, a separation distance of 8" (20 cm) or more should be maintained between the antenna of this device and persons during device operation.  
To ensure compliance, operations at closer than this distance is not recommended.

To disable Wi-Fi module on robot, power the robot ON. Place the robot on the base station with auto-empty. Ensure the Charging Contacts on robot and the base station with auto-empty Pins make a connection.  
Press and hold the Dock Button on the robot for 20 seconds until the Wi-Fi module is turned off.  
When the Wi-Fi module is turned off, press any button on the robot to turn the Wi-Fi module on.

|       |                     |
|-------|---------------------|
| — — — | Direct current      |
| ~     | Alternating current |

This Device Complies with DHHS Radiation Rules, 21CFR Chapter 1, Subchapter J.

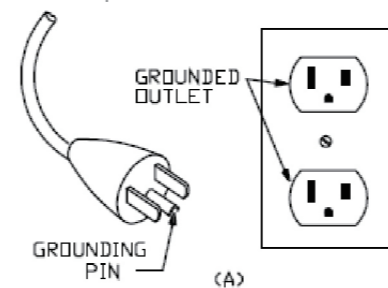
I: ON  
O: OFF

## GROUNDING INSTRUCTIONS

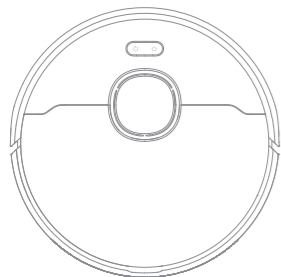
This appliance must be grounded. If it should malfunction or breakdown, grounding provides a path of least resistance for electric current to reduce the risk of electric shock. This appliance is equipped with a cord having an equipment grounding conductor and grounding plug. The plug must be inserted into an appropriate outlet that is properly installed and grounded in accordance with all local codes and ordinances.

**WARNING** - Improper connection of the equipment-grounding conductor can result in a risk of electric shock. Check with a qualified electrician or service person if you are in doubt as to whether the outlet is properly grounded. Do not modify the plug provided with the appliance - if it will not fit the outlet, have a proper outlet installed by a qualified electrician.

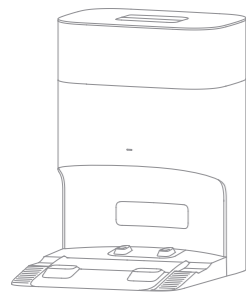
This appliance is for use on a nominal 120-V circuit and has a grounding attachment plug that looks like the plug illustrated as below. Make sure that the appliance is connected to an outlet having the same configuration as the plug. No adaptor should be used with this appliance.



## Package Contents



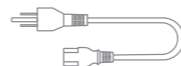
Robot

Base Station with  
Auto-Empty

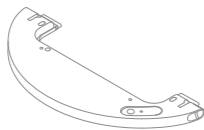
## Other Accessories



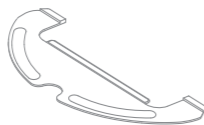
Side Brush

Dust Bag x2  
(pre-installed x1)Cleaning Tool  
(pre-installed)

Power Cord

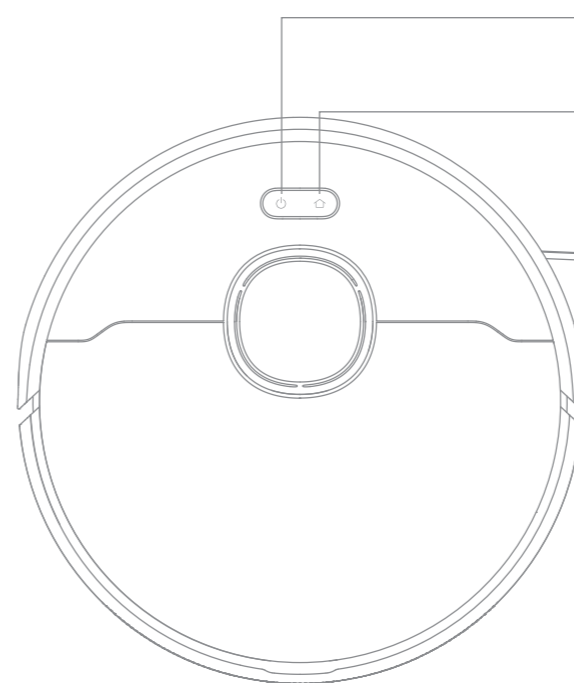


Water Tank

Mop Pad  
(pre-installed)

User Manual

## Robot



- Power/Clean Button**
  - Press and hold for 3 seconds to turn on or off
  - Press to start cleaning after the robot is turned on

- Dock/Spot Cleaning Button**
  - Press to send the robot back to the base station
  - Press and hold for 3 seconds to start spot cleaning

**Status Indicator**

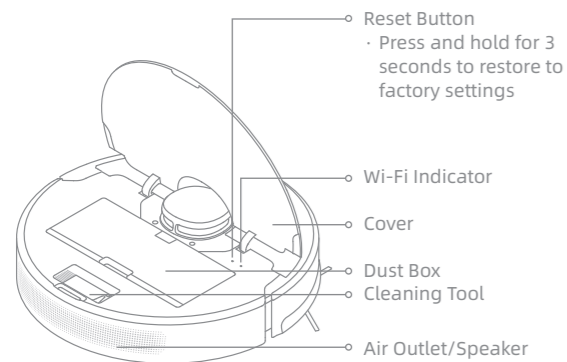
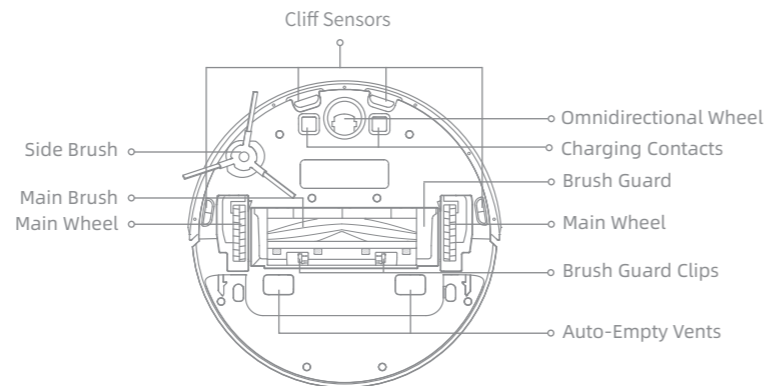
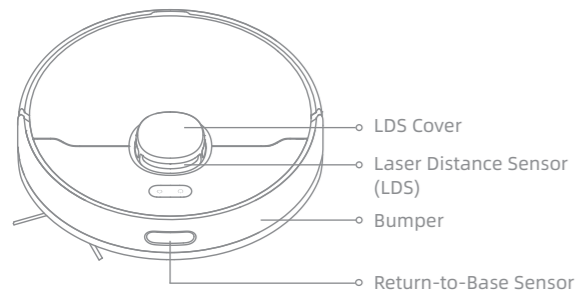
- Solid White:** Cleaning or cleanup completed
- Blinking Orange:** Error
- Breathing White:** Robot is charging when the battery power is not low

**Note:**

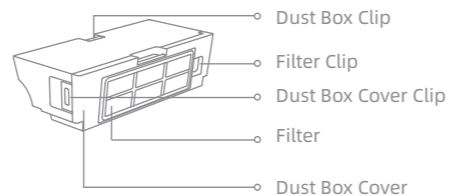
- Press any button on the robot to pause while the robot is cleaning or returning to charge.
- Child Lock can be enabled/disabled through the Dreamehome app.

## Product Overview

### Robot and Sensors



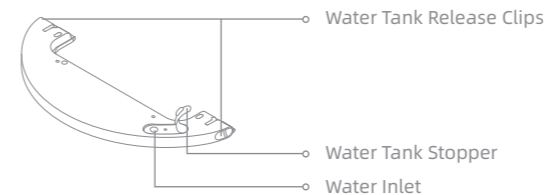
### Dust Box



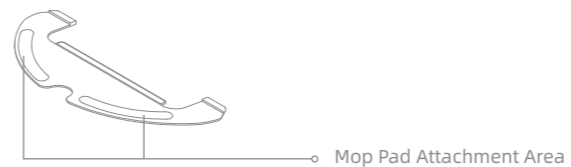
## Product Overview

### Mopping Module

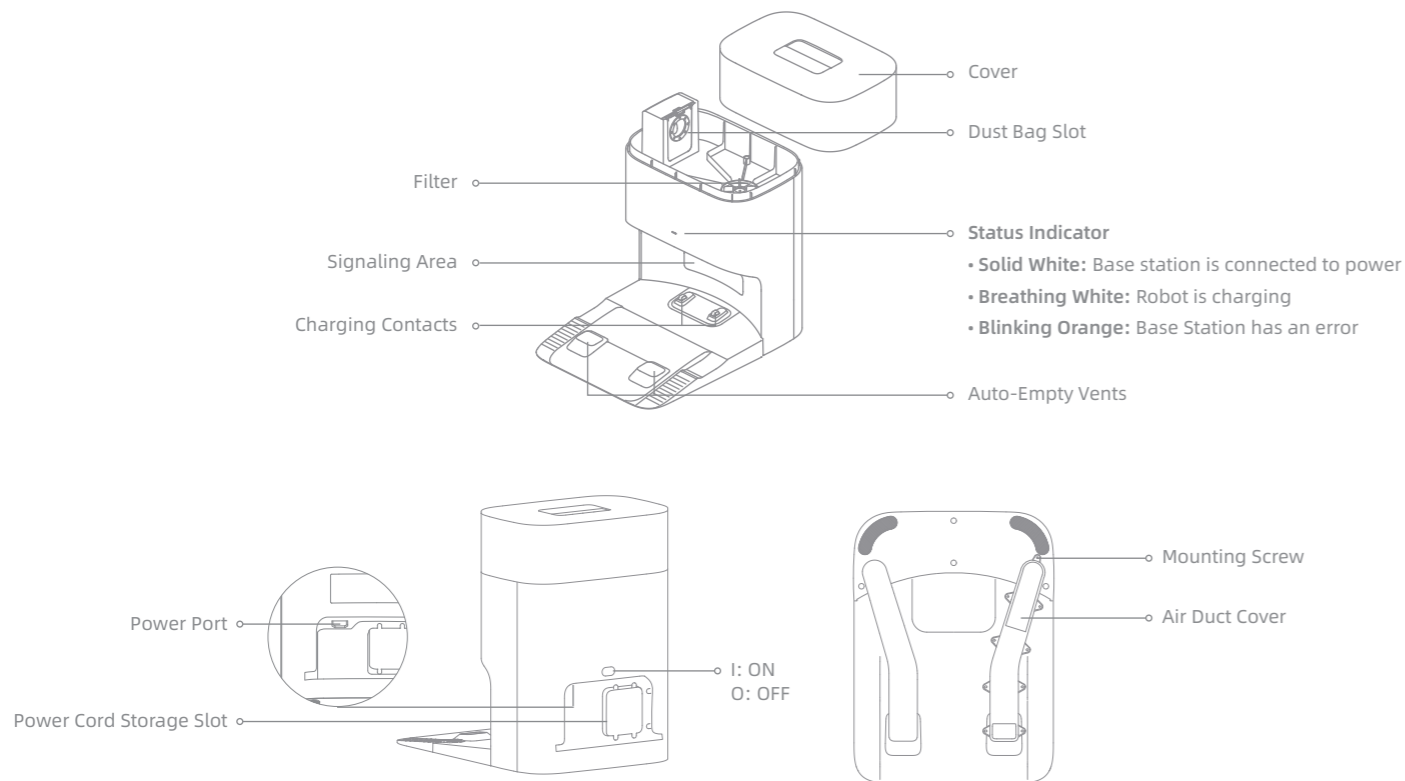
#### Water Tank



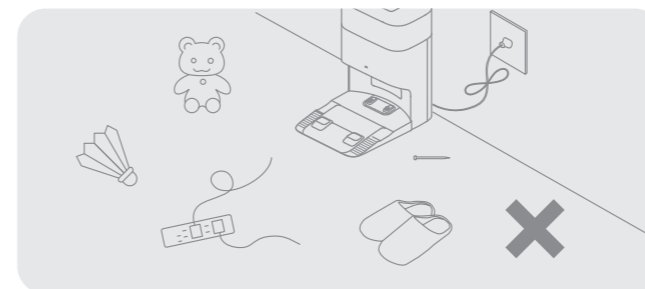
#### Mop Pad



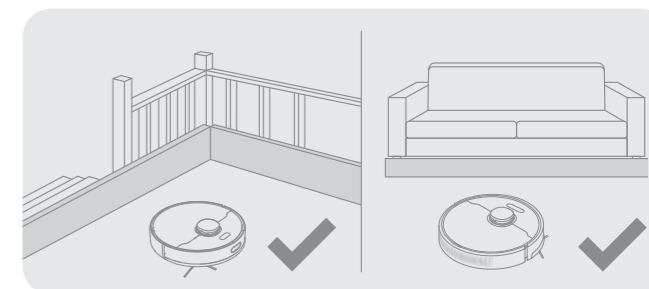
## Base Station with Auto-Empty



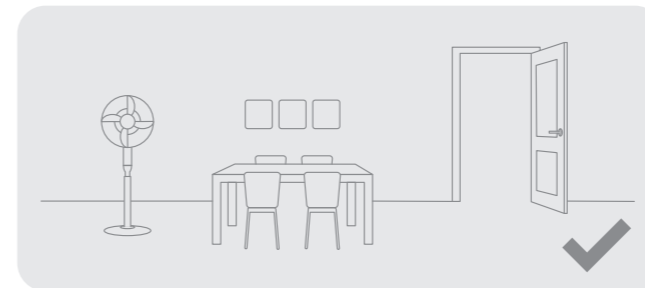
## Preparing Your Home



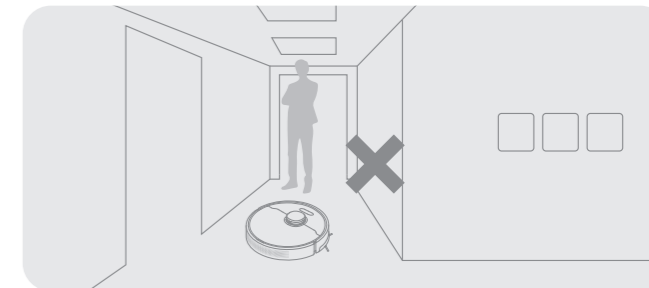
Before cleaning, please move away unstable, fragile, valuable or dangerous items, and clean up cables, cloths, toys, hard objects and sharp objects on the ground to avoid being entangled, scratched or knocked over by the robot and causing losses.



Before cleaning, place a physical barrier at the edge of the stairs and sofa to ensure the secure and smooth operations of the robot.



Open the door of the room to be cleaned, and put the furniture in its proper place to leave more space.



To prevent the robot from not recognizing areas that need to be cleaned, do not stand in front of the robot, or in a threshold, hallway, or narrow places.

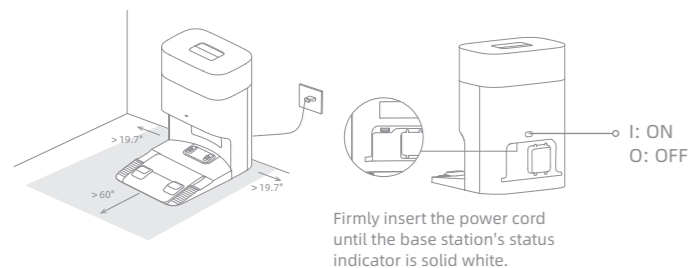
- When operating the robot for the first time, follow it around while cleaning to remove any potential obstacles in time.
- Do not vacuum hard objects like stones, steel balls and toy parts, or sharp objects like construction waste, broken glass and nails, otherwise the ground may be scratched.

## Before Use

### 1. Place the Base Station and Connect to an Electrical Outlet

Place the base station on level ground against the wall. Insert the power cord into the base station and plug it into the socket.

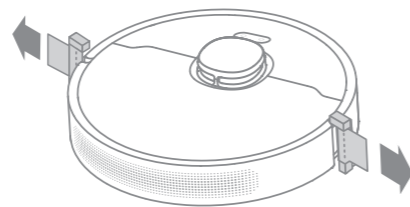
- Place the base station in a location that is as open as possible with a good Wi-Fi signal.



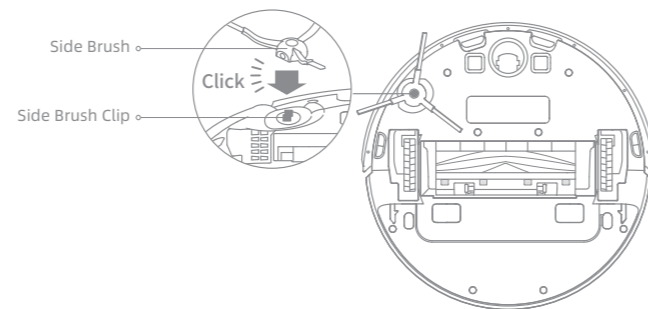
#### Note:

- Make sure that no objects might block the signaling area.
- Remove any objects that are closer than 60" (1.5 m) from the front and 19.7" (0.5 m) from either side of the base station.

### 2. Remove the Protections



### 3. Install the Side Brush

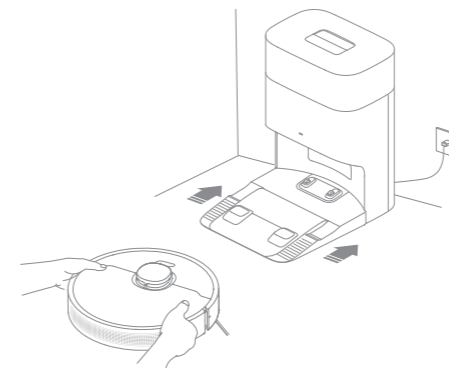


**Note:** Install the side brush until it clicks into place.

## Before Use

### 4. Charge the Robot

When placing the robot, align the charging contacts at the bottom of the robot with the charging contacts of the base station, and the robot will automatically turn on and start charging.

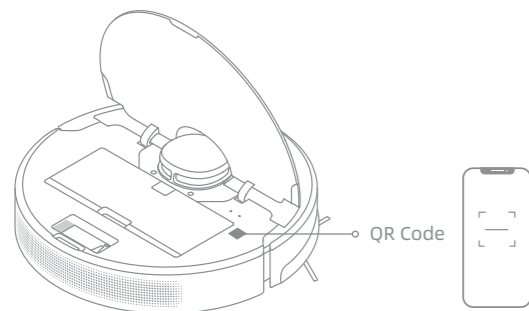


**Note:** It is recommended to fully charge your robot before first time use.

## Connecting with Dreamehome App

### 1. Download Dreamehome App


Scan the QR code on the robot, or search "Dreamehome" in the app store to download and install the app.



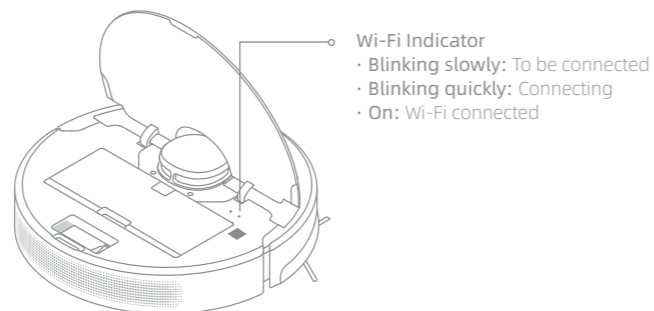
**Note:**

- Only 2.4GHz Wi-Fi is supported.
- Due to upgrades in the app software, the actual operations may differ from the directions in this manual. Please follow the instructions based on the current app version.

### 2. Add Device



Open the Dreamehome app, tap  in the upper right corner, and scan the same QR code on the robot again to add the device. Please follow the prompts to finish the Wi-Fi connection.

**Note:** If you want to reset Wi-Fi, repeat step 2 and then follow the prompts to finish the Wi-Fi connection.



## How to Use


### Turn On/Off

Press and hold the button  for 3 seconds to turn on the robot. The power indicator should be illuminated. Place the robot onto the base station, the robot should turn on automatically and begin charging. To turn off the robot, move the robot away from the base station and press and hold the button  for 3 seconds.

### Fast Mapping

After configuring the network for the first time, follow the instructions in the app to quickly create a map. The robot will start mapping without cleaning. When the robot returns to the base station, the mapping process has been completed and the map will be saved automatically.

### Start Cleaning

Press the button  to start cleaning after the robot is turned on. The robot will accurately map out a route, methodically clean along the edges and walls, then finish by cleaning each room in an S-shaped pattern to ensure a thorough job.

**Note:**

- It is recommended that the robot set out from the base station before cleaning. Do not move the base station while the robot is cleaning. This ensures that the robot returns to base station smoothly.
- After the robot completes the cleaning task and automatically returns to the base station, the base station will start auto-empty. More settings can be operated on the app.

### Pause/Sleep

When the robot is running, press any button to pause it. If the robot is paused for more than 10 minutes, it automatically enters sleep mode. All indicators on the robot will turn off. Press any button on the robot or base station, or use the app to wake up the robot.

**Note:** If the robot is paused and placed onto the base station, the current cleaning process will end.

### Auto Resume Cleaning

If the battery is too low, the robot will automatically return to the base station to charge. After charging to the appropriate battery level, it will resume unfinished cleaning tasks.

**Note:** To use this function, please open it in the App.


### Do Not Disturb (DND) Mode

When the robot is set to Do Not Disturb (DND) mode, the robot will be prevented from resuming cleaning and the power indicator will turn off. DND mode is disabled by default at the factory. You can use the app to enable DND mode or modify the DND period. The DND period is 22:00-8:00 by default.



**Note:**

- The scheduled cleaning tasks will be performed as usual during the DND period.
- The robot will resume cleanup where it left off after the DND period expires.

### Spot Cleaning

When the robot is on standby, press and hold the button  for 3 seconds to enable the spot cleaning mode. In this mode, the robot cleans a square-shaped area of 1.5 x 1.5 meters around it and returns to its starting point once the spot cleaning is completed.

### Robot Restarting

If the robot stops responding or cannot be turned off, press and hold the button  for 10 seconds to forcefully turn it off. Then, press and hold the button  for 3 seconds to turn the robot on.

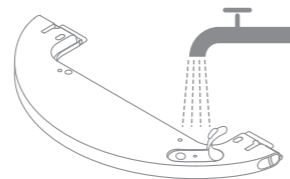
### Use Mopping Function

It is recommended that all floors are vacuumed at least three times before the first mopping session to achieve a better cleaning effect.

1. Dampen the mop pad and wring out excess water. Install the mop pad as shown in the diagram.




2. Fill up the tank with water.

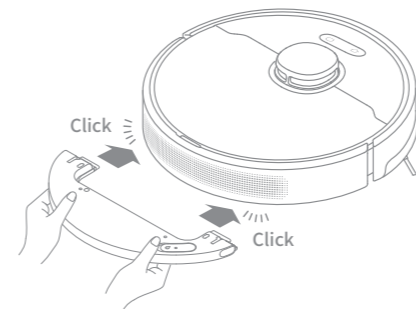


#### Note:

- Do not use detergent or disinfectant.
- Do not fill the water tank with hot water as this may cause the water tank to warp.

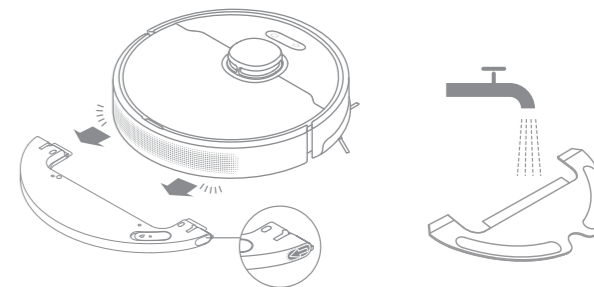
### How to Use

3. Align the mopping module as indicated by the arrow, then slide it into the back of the robot until it clicks into place. Press the button  or use the Dreamehome app to start cleaning.



- It is not recommended to use the mopping function on carpets.
- Use the app to adjust the water flow as required.

4. When the robot finishes a cleaning task and returns to the base station, remove the mopping module and wash the mop pad in time. To remove the water tank, slide the two release clips on the side of it to take it out.



**Note:** When the robot is charging or not in use, remove the mopping module, pour out all the remaining water in the water tank, and clean the mop pad to prevent mildew or odors.

## Routine Maintenance

To keep the robot in good condition, it is recommended to refer to the accessory usage in the app or the following table for routine maintenance.

| Part                             | Maintenance Frequency | Replacement Period   |
|----------------------------------|-----------------------|----------------------|
| Mop pad                          | After each use        | Every 3 to 6 months  |
| Main Brush                       | Once every 2 weeks    | Every 6 to 12 months |
| Side Brush                       |                       | Every 3 to 6 months  |
| Dust box's filter                |                       |                      |
| Base station's signaling area    | Once every month      | /                    |
| Base station's charging contacts |                       |                      |
| Base station's auto-empty vents  |                       |                      |
| Laser Distance Sensor (LDS)      |                       |                      |
| Robot's charging contacts        |                       |                      |

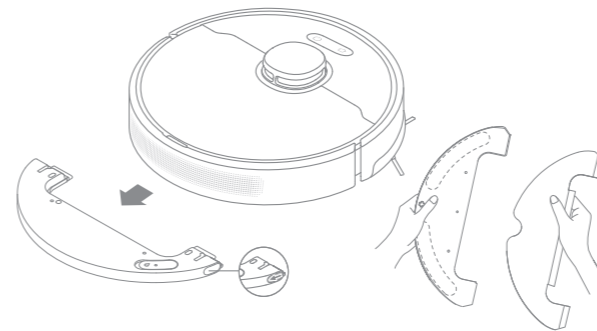
**Note:** The replacement frequency will depend on your usage of the robot. If an exception occurs due to special circumstances, the parts should be replaced.

| Part                     | Maintenance Frequency | Replacement Period  |
|--------------------------|-----------------------|---------------------|
| Robot's auto-empty vents | Once every month      | /                   |
| Bumper                   |                       |                     |
| Omnidirectional wheel    |                       |                     |
| Return-to-Base Sensor    |                       |                     |
| Cliff sensors            |                       |                     |
| Bottom of the robot      |                       |                     |
| Dust box                 | Clean it as needed    | Every 2 to 4 months |
| Water Tank               |                       |                     |
| Dust bag                 | /                     |                     |

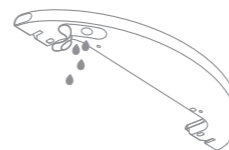
## Routine Maintenance

### Mopping Module

1. Slide the two release clips on the side of the water tank, remove the mopping module, and pull the mop pad off the mopping module.

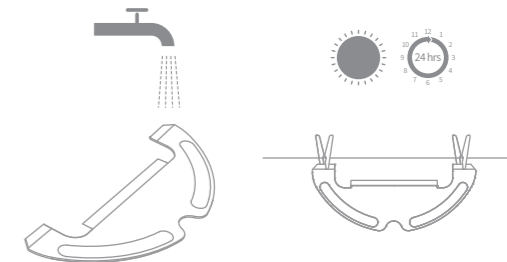


2. Pour out the water in the tank. Clean the tank with water only and leave it to air dry before reinstalling.



**Note:** Do not directly expose the water tank to sunlight.

3. Clean the mop pad with water only and leave it to air dry before reinstalling.



**Note:** Remove the mop pad from the mopping module before cleaning it, and make sure dirty water does not flow back into the water outlet to avoid clogging.

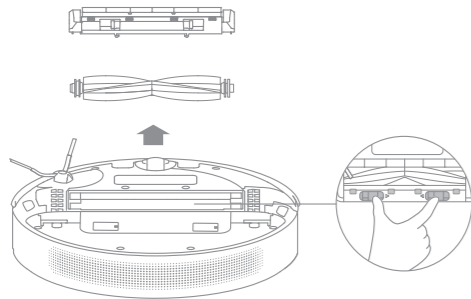
4. If slow water flow occurs, or the water volume is not well-distributed, clean the air hole in the cover of the water tank.



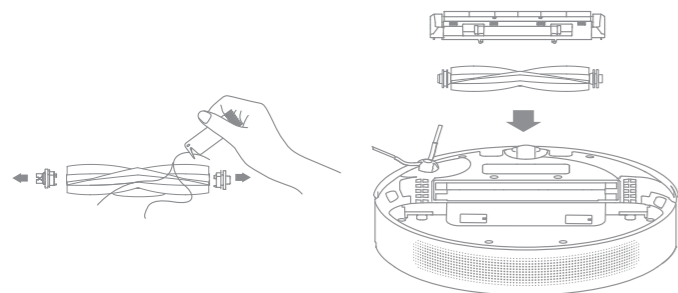
## Routine Maintenance

### Main Brush

1. Press the brush guard clips inwards to remove the brush guard and lift the brush out of the robot.



2. Pull out the brush covers at both ends of the brush as shown in the diagram. Use the provided cleaning tool to remove any hairs tangled in the brush. Reinstall the brush covers on both ends of the brush, and then reinstall the brush. Press on the brush guard to lock it in place.

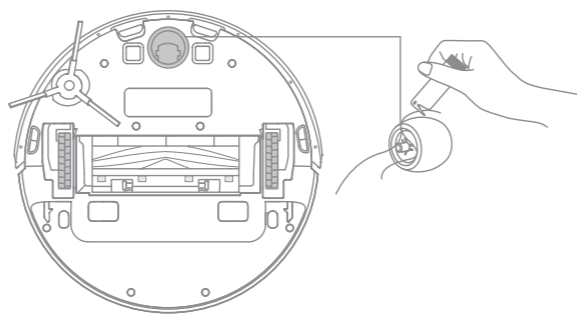


### Side Brush

Remove and clean the side brush.



### Omnidirectional Wheel

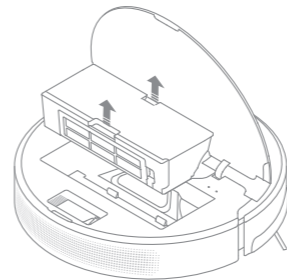


- Use a tool such as a small screwdriver to separate the axle and tire of the omnidirectional wheel. Do not use excessive force.
- Rinse the omnidirectional wheel under the running water and put it back after drying it completely.

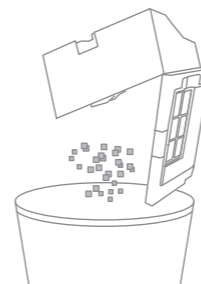
## Routine Maintenance

### Dust Box

1. Open the robot's cover and press the clip to remove the dust box.

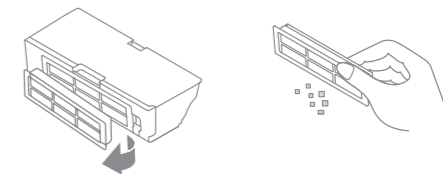


2. Open the dust box cover and empty the dust box as shown in the diagram.



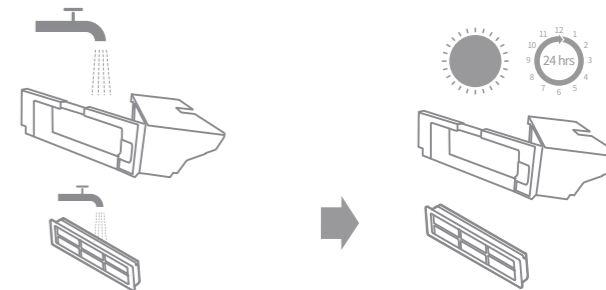
### Filter

1. Remove the filter and tap its basket gently.



Do not attempt to clean the filter with a brush, a finger or sharp objects to prevent damage.

2. Rinse the dust box and filter with clean water and dry them completely before reinstalling.



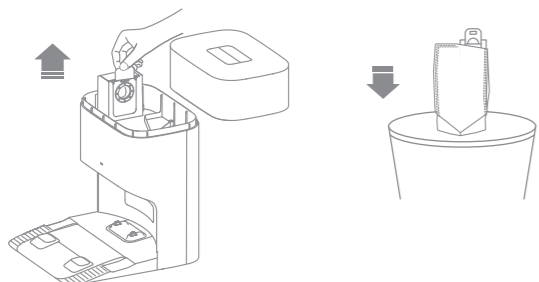
#### Note:

- Rinse the dust box and filter with clean water only. Do not use any detergent.
- Use the dust box and filter only when they are completely dry.

## Routine Maintenance

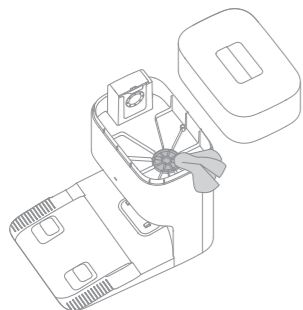
### Dust Bag

1. Remove and discard the dust bag.

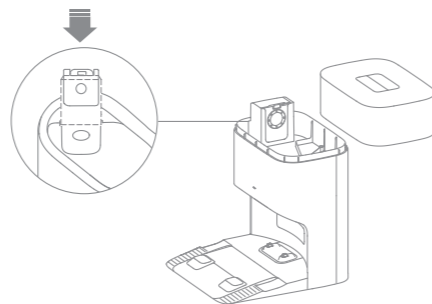


**Note:** Pulling outwards on the handle will seal the dust bag to prevent the dust and debris from accidentally falling out.

2. Remove the dust and debris from the filter with a dry cloth.



3. Install a new dust bag.



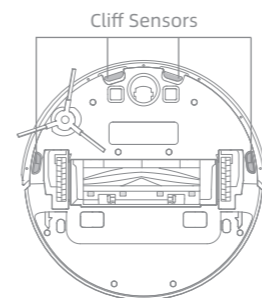
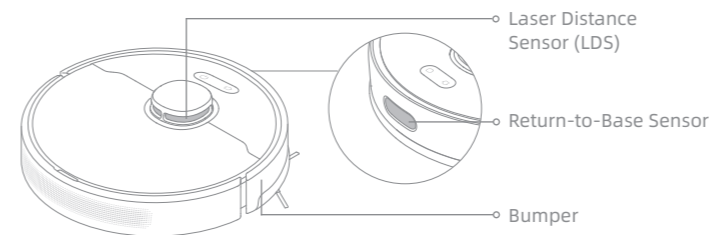
4. Put back the cover of the dust tank.



## Routine Maintenance

### Robot Sensors

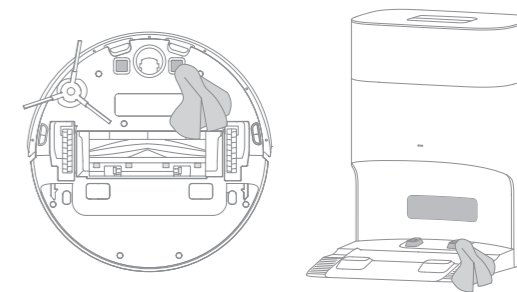
Wipe robot sensors by using a soft and dry cloth, as shown in the below figure:



**Note:** A wet cloth can damage sensitive elements within the robot and the base station. Please use a dry cloth for cleaning.

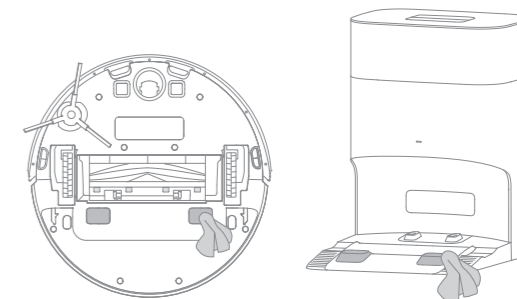
### Charging Contacts and Signaling Area

Clean the charging contacts and the signaling area with a soft and dry cloth.



### Auto-empty Vents

Clean the auto-empty vents of the robot and the base station with a soft and dry cloth.

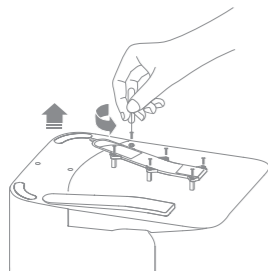


## Routine Maintenance

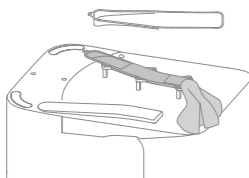
### Air Duct

If the air duct is blocked, please clean it according to the following steps.

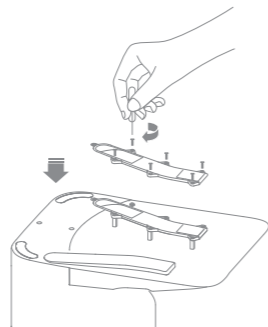
1. Unscrew mounting screws on the air duct cover and remove the cover.



2. Check whether the air duct is blocked by foreign objects. If any, clean them.



3. Reinstall the air duct cover.





### Battery

The robot contains a high-performance lithium-ion battery pack. Make sure that the battery remains well-charged for daily use to maintain optimal battery performance. If the robot is not used for an extended period of time, turn it off and put it away. To prevent damages from over-discharging, charge the robot at least once every three months.

## Troubleshooting

| Problem  | Solution  |
|--|---|
| The robot will not turn on.  | The battery is low. Recharge the robot on the base station and try again.<br>The temperature of the battery is too low or too high. It is recommended to operate the appliance at a temperature between 32°F (0°C) and 104°F (40°C).  |
| The robot will not charge.   | The base station is not connected to power, please make sure both ends of its power cord are correctly plugged in.<br>The contact between the charging contacts on the base station and the robot is poor, please clean the charging contacts.  |
| The robot fails to connect to Wi-Fi.                                       | The Wi-Fi network password is incorrect. Make sure the password used to connect to your Wi-Fi network is correct.<br>The robot does not support a 5 GHz Wi-Fi connection. Make sure the robot is connected to a 2.4 GHz Wi-Fi connection.<br>The Wi-Fi signal is weak. Make sure the robot is in an area with good Wi-Fi coverage.<br>The robot may not be ready to be configured. Please exit and re-enter the app, and then try again as instructed.  |
| The robot cannot find and return to the base station.                      | The base station is disconnected from power or moved when the robot is not on it. Please connect the base station to the power supply or place the robot onto the base station to charge.<br>There are too many obstructions around the base station. Place the base station in a more open area.<br>Moving the robot may cause it to re-position itself, and it will recreate a map if re-positioning fails. If the robot is too far from the base station, it might not be able to automatically return on its own, in which case you will need to manually place the robot onto the base station.<br>Wipe the signaling area on the base station to remove dust or debris. |
| The robot gets stuck in front of the base station and cannot return to it. | Clear any obstruction within 19.7" (0.5 m) on the left and right sides or within 60" (1.5 m) in front of the base station to prevent the robot from being blocked.<br>The route for returning to charge is blocked, e.g. the door is closed.<br>It is recommended to move the base station to a different place and try again.  |

| Problem   | Solution   |
|---|--|
| The robot will not turn off.                      | The robot cannot be turned off when it is charging. It is recommended to move the robot from the base station, and then press and hold the button  for 3 seconds to turn it off.<br>If the robot cannot be turned off by performing step 1, press and hold the button  for 10 seconds to forcibly turn off the robot. If the problem persists, please contact after-sales service. |
| The charging speed is slow.                       | It takes about 6 hours to fully charge the robot when its battery is low.<br>If you operate the robot at temperatures outside of the specified range, the charging speed will automatically slow down to extend the battery life.<br>The charging contacts on both the robot and the base station may be dirty, please wipe them with a dry cloth.   |
| The noise increases while the robot is operating. | Check whether the dust box's filter is clogged. If so, clean it or replace it.<br>A hard object may be caught in the main brush or the dust box. Check and remove any hard object.<br>The main brush or the side brush may become tangled. Check and remove any foreign objects.<br>Switch the suction mode to Standard or Quiet.  |
| The robot moves without following the set route.  | Objects such as power cords and slippers should be organized before using the robot.<br>Working on wet slippery surfaces may cause the main wheel to slip. It is recommended to dry any wet areas before using the robot.  |
| The robot misses the rooms to be cleaned.         | Make sure that the doors of the rooms to be cleaned are open.<br>Check whether there is a threshold higher than 0.8" (2 cm) at the door of the room. The robot cannot climb over high thresholds or steps.<br>The place in front of the room to be cleaned may be wet and slippery, causing the robot to slip and work abnormally. Please try drying the floor before using the robot.   |

| Problem  | Solution  |
|--|---|
| The robot will not resume cleaning after charging.                     | Make sure that the robot is not set to the Do Not Disturb (DND) mode, which will prevent it from resuming cleaning.<br>The robot will not resume cleaning after you manually return the robot to the base station to charge, which includes manually placing the robot on the base station or sending the robot to charge via the app, or the robot itself. |
| The base station cannot automatically empty the dust box.              | Check whether the dust bag in the dust tank is full.<br>If the dust bag is not full, check whether there is any obstruction at the auto-empty vents of the robot, the base station, or the dust box. If any, clean the blocked part in time.  |
| No water comes out of the water tank, or only a little bit comes out.  | Check whether there is water inside the water tank.<br>Clean the air hole on the water tank stopper.<br>Clean the mop pad if it becomes dirty.<br>Make sure the mop pad is installed correctly according to the user manual.  |
| Robot returns to the base station without performing auto-empty tasks. | DND mode prevents the robot from performing auto-empty tasks.   |

For additional services, please contact us via [support.us@dreame.tech](mailto:support.us@dreame.tech)  
Tel: +1 (866) 977-5177

## Robot

|                      |                                |
|----------------------|--------------------------------|
| Model                | RLD32GD                        |
| Charging Time        | Approx. 6 hours                |
| Rated Voltage        | 14.4 V $\overline{\text{---}}$ |
| Rated Power          | 75 W                           |
| Operation Frequency  | 2400-2483.5 MHz                |
| Maximum Output Power | < 20 dBm                       |

Under normal use of condition, this equipment should be kept a separation distance of at least 8" (20 cm) between the antenna and the body of the user.

## Base Station with Auto-Empty

|              |                                  |
|--------------|----------------------------------|
| Model        | RCDD0202                         |
| Rated Input  | 120 V ~ 60 Hz 4.4A               |
| Rated Output | 20 V $\overline{\text{---}}$ 1 A |

## Informations sur la sécurité

## IMPORTANTES MESURES DE SÉCURITÉ

L'utilisation d'un appareil électrique demande certaines précautions:

LIRE TOUTES LES INSTRUCTIONS AVANT DE FAIRE FONCTIONNER (CETAPPAREIL), Le non-respect des mises en garde et des instructions peut causer des chocs électriques, des incendies et/ou des blessures graves.

## CONSERVER CES INSTRUCTIONS

Usage Domestique seulement.

**AVERTISSEMENT** - Pour réduire les risques d'incendie, de choc électrique ou de blessure:

- Ne pas exposer à la pluie, Ranger à l'intérieur.
- Ne pas permettre aux enfants de jouer avec l'appareil. Une attention particulière est nécessaire lorsque l'appareil est utilisé par des enfants ou à proximité de ces derniers.
- N'utiliser que conformément à cette notice avec les accessoires recommandés par le fabricant.
- Ne pas utiliser si le cordon ou la fiche est endommagé. Retourner l'appareil à un atelier de réparation s'il ne fonctionne pas bien, s'il est tombé ou s'il a été endommagé, oublié à l'extérieur ou immergé.
- Ne pas tirer soulever ni trainer l'appareil par le cordon. Ne pas utiliser le cordon comme une poignée, le coincer dans l'embrasure d'une porte ou l'appuyer contre des arêtes vives ou des coins. Ne pas faire rouler l'appareil sur le cordon. Garder le cordon à l'écart des surfaces chaudes.
- Ne pas débrancher en tyrant sur le cordon. Tirer plutôt la fiche.
- Ne manipulez pas avec des mains mouillées la base auto-vidéuse, y compris sa fiche et ses bornes.
- N'insérer aucun objet dans les ouvertures. Ne pas utiliser l'appareil lorsqu'une ouverture est bloquée. S'assurer que de la poussière, de la peluche, des cheveux ou d'autres matières ne réduisent pas le débit d'air.
- Maintenir les cheveux, les vêtements amples, les doigts et toutes les parties du corps à l'écart des ouvertures et des pièces mobiles.
- Mettre toutes les commandes en position d'arrêt avant de débrancher l'appareil.

## Informations sur la sécurité

- Ne pas aspirer des liquides inflammables ou combustibles, comme de l'essence, et ne pas faire fonctionner dans des endroits où peuvent se trouver de tels liquides.
- Doit être branché sur une prise de courant avec mise à la terre. Voir les instructions de mise à la terre.
- Ne pas aspirer de matières en combustion ou qui dégagent de la fumée, comme des cigarettes, des allumettes ou des cendres chaudes.
- Ne pas utiliser l'appareil si le sac à poussière ou le filter n'est pas en place.
- Éviter une mise en marche accidentelle. S'assurer que l'interrupteur est à la position arrêt avant de raccorder la batterie, de lever ou de déplacer l'appareil. Transporter l'appareil en gardant un doigt sur l'interrupteur, ou mettre sous tension un appareil dont l'interrupteur est à la position marche peut causer un accident.
- Ne pas utiliser et entreposer dans un environnement à température extrêmement chaude ou froide (inférieure à 0°C/32 °F ou supérieure à 40°C/104 °F). Veuillez charger le robot à une température supérieure à 0°C/32 °F et en dessous de 40°C/104 °F.
- Retirer la batterie de l'appareil avant d'effectuer des réglages, changer les accessoires ou ranger l'appareil. Ces mesures de sécurité ont pour but d'éviter une mise en marche accidentelle de l'appareil.
- Recharger uniquement avec le chargeur prescrit par le fabricant. Un chargeur convenant à un type de batterie peut présenter un risque d'incendie lorsqu'il est utilisé avec une autre batterie.
- Utiliser uniquement les batteries recommandées pour l'appareil. L'utilisation d'autres types de batteries peut présenter un risque de blessure ou d'incendie.
- Lorsque l'appareil n'est pas utilisé, tenir la batterie loin d'objets métalliques comme des trombones, des pièces de monnaie, des clés, des clous, des vis ou autres petits objets qui pourraient établir une liaison entre les bornes. Un court-circuit des bornes des batteries peut causer des brûlures ou un incendie.
- En condition d'usage abusif, du liquide peut s'échapper de la batterie ; éviter tout contact avec ce liquide. En cas de contact accidentel, rincer abondamment avec de l'eau. En cas de contact avec les yeux, consulter également un médecin. Le liquide projeté peut causer des irritations ou des brûlures.
- Ne pas utiliser une batterie ou un appareil endommagé ou qui a été modifié. Des batteries endommagées ou modifiées peuvent avoir un comportement imprévisible pouvant causer un incendie, une explosion ou un risque de blessure.
- Ne pas exposer une batterie ou un appareil à la flamme ou à des températures excessives. L'exposition à une

## Informations sur la sécurité

- flamme ou à des températures supérieures à 130°C/266 °F peut causer une explosion.
- Respecter toutes les instructions de chargement et ne pas charger la batterie ou l'appareil à des températures qui ne sont pas incluses dans la gamme de températures indiquées dans la notice d'instructions. Un chargement mal effectué.
- Confier les réparations à une personne qualifiée qui utilisera uniquement des pièces de remplacement identiques. Cette façon de faire garantira la sécurité du produit.
- Ne pas modifier ni tenter de réparer l'appareil ou la batterie sauf comme il est indiqué dans les instructions d'utilisation et d'entretien.
- Éloigner les cordons d'autres appareils de la zone à nettoyer.
- Ne pas utiliser l'aspirateur dans une pièce où un nourrisson ou un enfant dort.
- Ne pas utiliser l'aspirateur dans un endroit où il ya des bougies allumées ou des objets fragiles sur le plancher à nettoyer.
- Ne pas utiliser l'aspirateur dans une pièce où il ya des bougies allumées sur les meubles que l'aspirateur peut heurter ou se cogner accidentellement.
- Ne pas laisser les enfants s'asseoir sur l'aspirateur.
- Ne pas utiliser l'aspirateur sur une surface mouillée.
- N'utiliser que l'unité d'approvisionnement RCDD0202.
- Risque de blessures. La brosse motorisée peut se mettre en marche d'une manière imprévue. Éteignez l'Appareil et Retirez la Brosse Avant De Procéder Au Nettoyage ou À L'entretien.
- Débranchez l'appareil avant de le nettoyer ou de le réparer.

L'émetteur/récepteur exempt de licence contenu dans le présent appareil est conforme aux CNR d'Innovation, Sciences et Développement économique Canada applicables aux appareils radio exempts de licence. L'exploitation est autorisée aux deux conditions suivantes :

1. L'appareil ne doit pas produire de brouillage;
2. L'appareil doit accepter tout brouillage radioélectrique subi, même si le brouillage est susceptible d'en compromettre le fonctionnement.

L'antenne installée doit être située de façon à ce que la population ne puisse être exposée à une distance de moins de 8" (20 cm). Installer l'antenne de façon à ce que le personnel ne puisse approcher à 8" (20 cm) ou moins de la position centrale de l'antenne.

La FCC des états-unis stipule que cet appareil doit être en tout temps éloigné d'au moins 8" (20 cm) des personnes pendant son fonctionnement.

Pour désactiver le module Wi-Fi sur le robot, mettez le robot sous tension et le placez sur le socle de charge. Assurez qu'il est en train de se charger par les contacts de charge. Appuyez sur le bouton nettoyage concentré pendant 20 secondes jusqu'à ce que le module Wi-Fi s'éteigne.

Quand le module Wi-Fi sur le robot est désactivé, appuyez sur n'importe quel bouton du panneau pour réactiver le module Wi-Fi.

|     |                    |
|-----|--------------------|
| --- | Courant continu    |
| ~   | Courant alternatif |

Cet appareil est conforme aux règles de radiation du DHHS, 21 CFR chapitre 1, sous-chapitre J.

I: MARCHE

O: ARRÊT

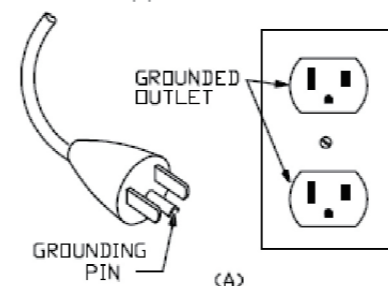


## INSTRUCTIONS DE MISE À LA TERRE

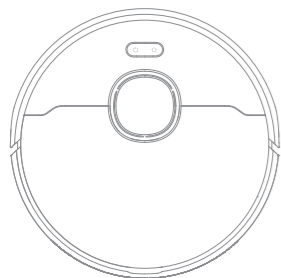
Cet appareil doit être mis à la terre. En cas de défaillance ou de panne, le circuit de mise à la terre offre au courant un chemin de moindre résistance qui réduit le risque de choc électrique. L'appareil est pourvu d'un cordon muni d'un conducteur qui en assure la mise à la terre et d'une fiche avec broche de terre. Cette fiche doit être branchée sur une prise convenable, correctement installée et reliée à la terre conformément aux codes et aux règlements du lieu.

**AVERTISSEMENT.** Un conducteur de terre mal raccordé présente des risques de choc électrique. Consulter un électricien ou un technicien d'entretien compétent en cas de doute à propos de la mise à la terre d'une prise quelconque. Ne pas modifier la fiche vendue avec l'appareil; si elle ne s'insère pas dans la prise, faire installer une nouvelle prise par un électricien compétent.

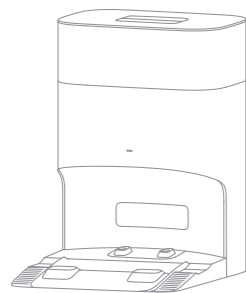
Cet appareil destiné à un circuit nominal de 120 V est muni d'une fiche de terre semblable à celle illustrée comme ci-dessous. L'appareil doit être branché sur une prise ayant la même configuration que la fiche. Aucun adaptateur ne devrait être utilisé avec cet appareil.



## Contenu de l'emballage



Robot

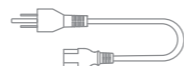


Station de vidange automatique

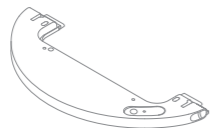
## Autres accessoires



Brosse latérale

Sac à poussière x 2  
(préinstallé x 1)Outil de nettoyage  
(préinstallée)

Cordon d'alimentation

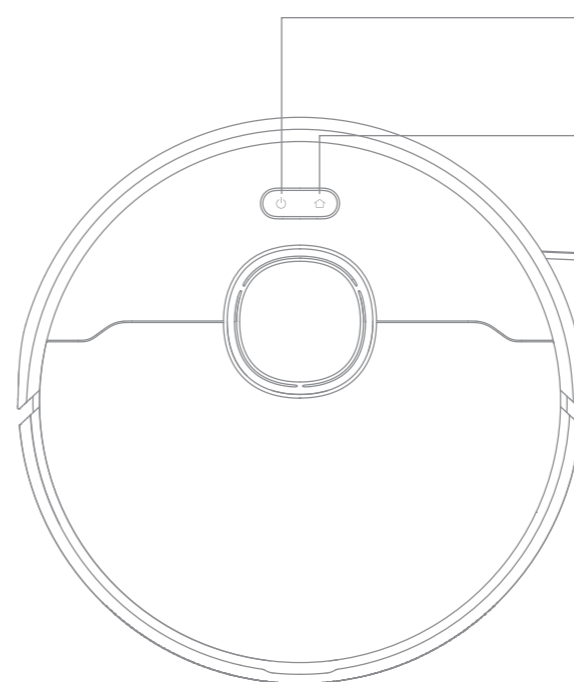


Réservoir d'eau

Lingette  
(préinstallée)

Mode d'emploi

## Robot



-  **Bouton de mise sous tension/nettoyage**
- Appuyez et maintenez enfoncé pendant 3 secondes pour activer ou désactiver
  - Appuyez pour lancer le nettoyage une fois le robot activé

-  **Bouton de nettoyage ciblé/Arrimage**
- Appuyez pour renvoyer le robot à la station de base
  - Appuyez et maintenez enfoncé pendant 3 secondes pour commencer le nettoyage ciblé

## Indicateur d'état

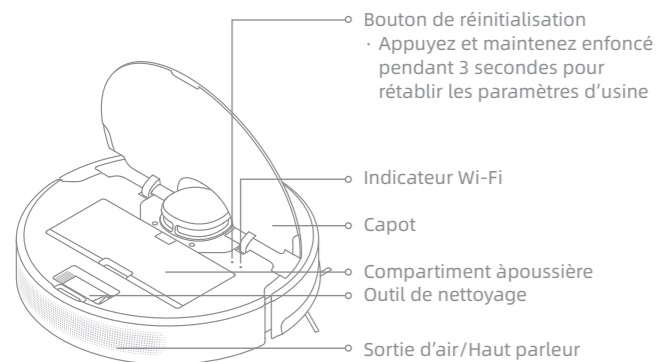
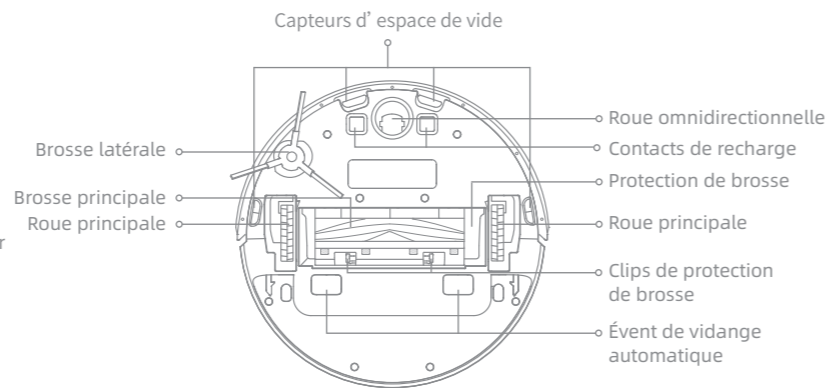
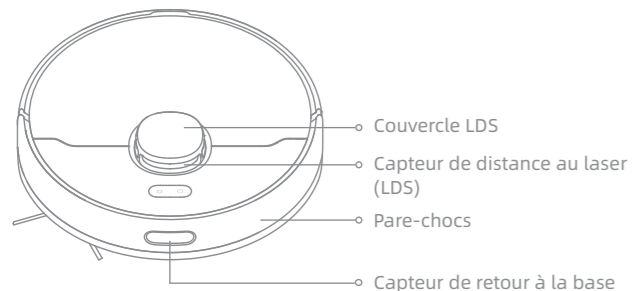
- **Blanc fixe** : Nettoyage ou lavage terminé
- **Orange clignotant** : Erreur
- **Clignotant blanc** : Le robot se recharge lorsque la batterie n'est pas faible

## Remarque :

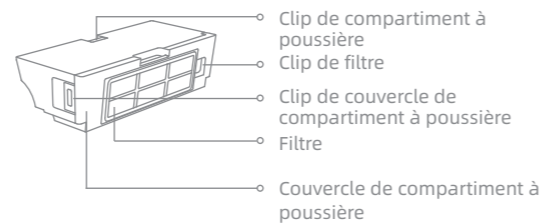
- Appuyez sur n'importe quel bouton du robot pour mettre en pause pendant que le robot nettoie ou reviens se charger.
- Le verrouillage de sécurité enfant peut être activé et désactivé via l'application Dreamehome.

## Présentation du produit

### Robot et capteurs



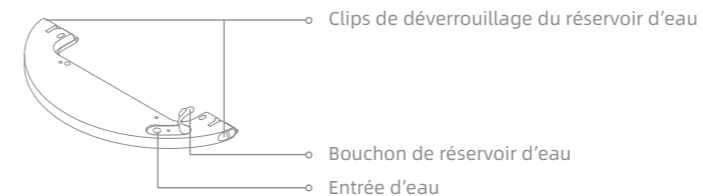
### Compartiment à poussière



## Présentation du produit

### Module de lavage

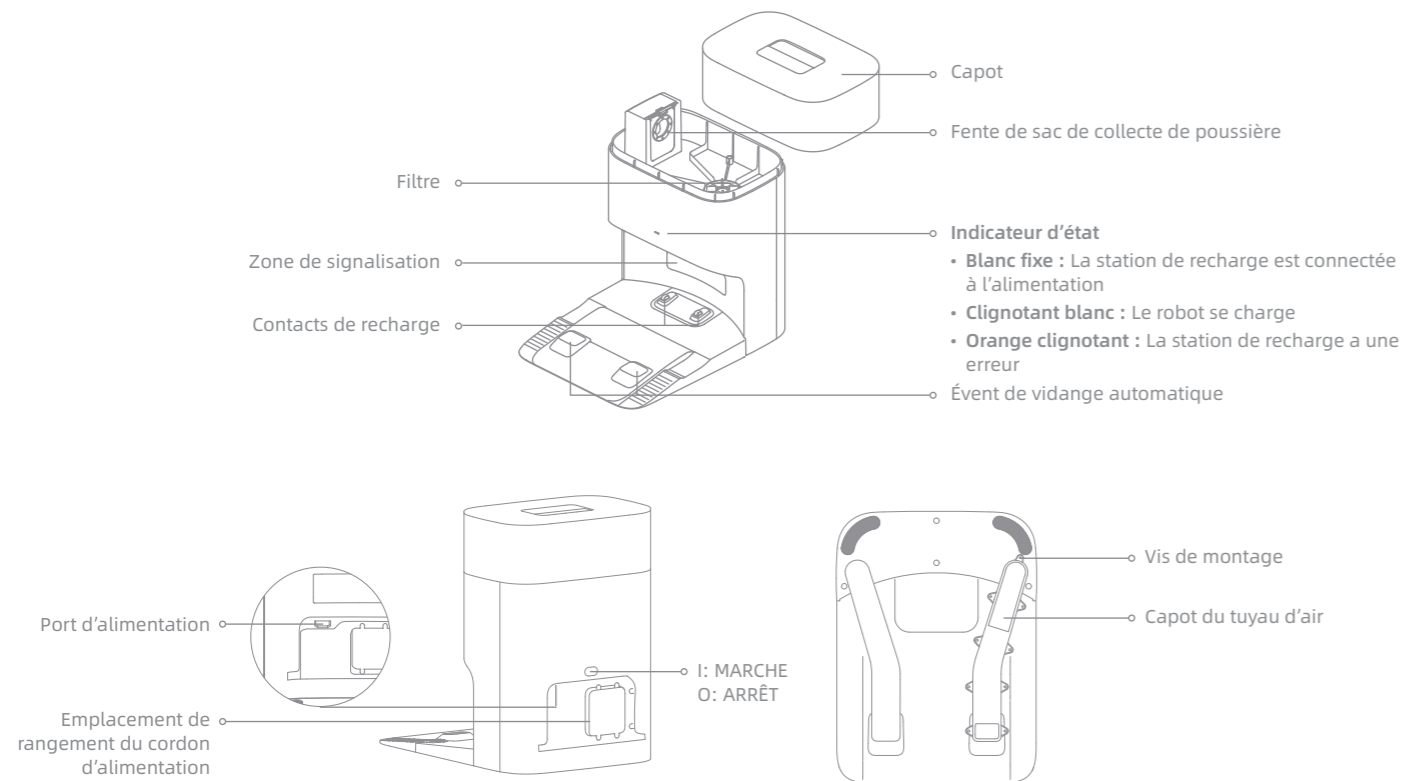
#### Réservoir d'eau



#### Lingette



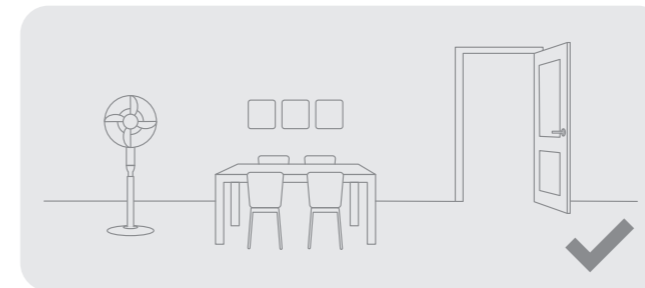
## Station de vidange automatique



## Préparer votre intérieur



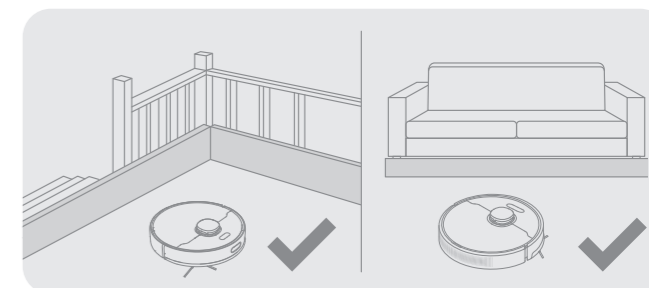
Avant de procéder au nettoyage, éloignez les objets instables, fragiles, précieux ou dangereux, et ramassez les câbles, les chiffons, les jouets, les objets durs et pointus qui se trouvent sur le sol, afin d'éviter que le robot ne les emmêle, ne les raye ou ne les renverse, ce qui entraînerait des pertes.



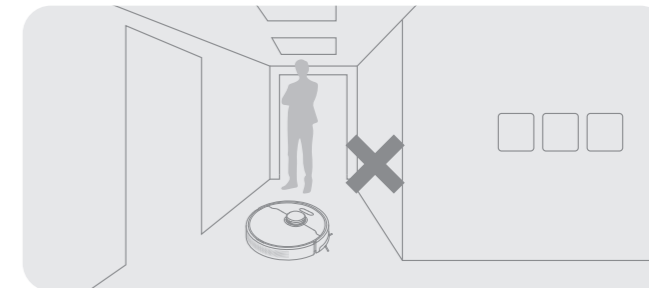
Ouvrez la porte de la pièce à nettoyer et placez les meubles dans un espace approprié pour laisser plus d'espace.

## Remarque :

- Lorsque vous utilisez le robot pour la première fois, suivez-le pendant le nettoyage pour éliminer tout obstacle potentiel à temps.
- N'aspirez pas d'objets durs tels que des cailloux, des billes d'acier et des pièces de jouets, ni d'objets pointus tels que des déchets de construction, des débris de verre et des clous, au risque de rayer le plancher.



Avant le nettoyage, placez une barrière physique au bord de l'escalier et du canapé pour assurer la sécurité et faciliter le fonctionnement du robot.




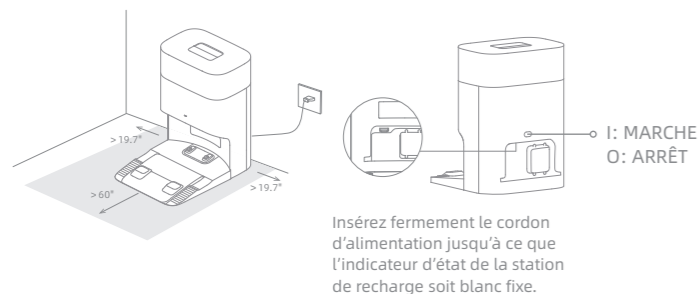
Pour éviter que le robot ne reconnaisse pas les zones à nettoyer, ne vous tenez pas devant le robot, ni dans un seuil, un couloir ou des endroits étroits.

## Avant l'utilisation

### 1. Placez la station de recharge et branchez-la à une prise électrique

Placez la station de recharge sur un sol de niveau contre un mur. Insérez le cordon d'alimentation dans la station de base et branchez-le dans la prise.

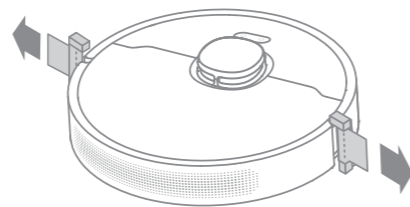
 Placez la station de recharge dans un endroit aussi dégagé que possible avec un bon signal Wi-Fi.



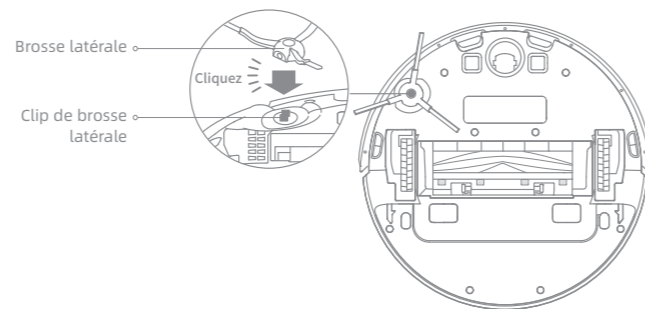
#### Remarque :

- Assurez-vous que rien ne peut perturber la zone de signalisation.
- Retirez tous les objets situés à moins de 60" (1,5 m) devant et à 19,7" (0,5 m) de chaque côté de la station de base.

### 2. Retirez les protections



### 3. Installer la brosse latérale

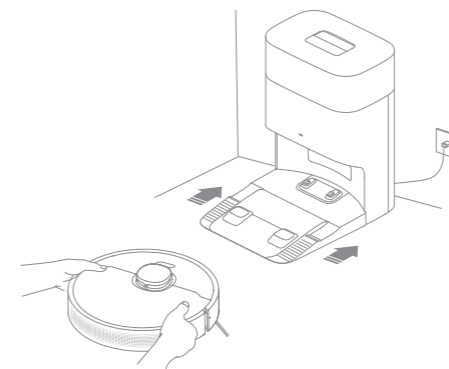


**Remarque :** Installez la brosse latérale jusqu'à ce qu'elle s'enclenche.

## Avant l'utilisation

### 4. Recharge du robot

Lorsque vous placez le robot, alignez les contacts de recharge au bas du robot avec les contacts de recharge de la station de recharge. Le robot s'activera automatiquement et commencera à se recharger.

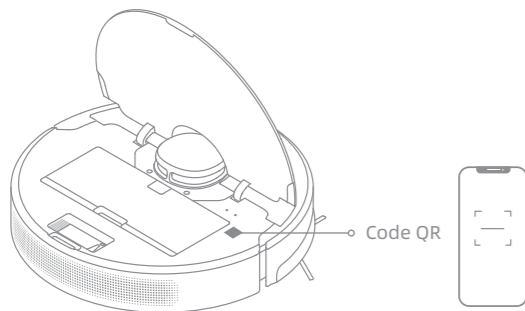


**Remarque :** Il est recommandé de recharger complètement le robot avant sa première utilisation.

## Connexion à l'application Dreamehome

### 1. Téléchargez l'application Dreamehome

Scannez le code QR sur le robot ou recherchez « Dreamehome » dans l'app store pour télécharger et installer l'application.



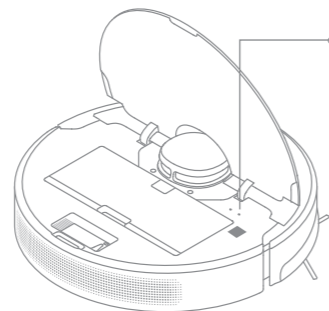
#### Remarque :

- Seul le Wi-Fi 2,4 GHz est pris en charge.
- En raison des mises à niveau du logiciel de l'application, les opérations réelles peuvent différer des instructions de ce manuel. Veuillez suivre les instructions selon la version actuelle de l'application.

### 2. Ajouter un appareil

Ouvrez l'application Dreamehome, appuyez sur dans le coin supérieur droit et scannez à nouveau le même code QR pour ajouter l'appareil. Suivez les messages d'instructions pour finaliser la connexion Wi-Fi.

**Remarque :** Si vous souhaitez réinitialiser le Wi-Fi, répétez l'étape 2, puis suivez les instructions pour terminer la connexion Wi-Fi.



#### Indicateur Wi-Fi

- **Clignote lentement :** Doit être connecté
- **Clignote rapidement :** Connexion en cours
- **Activé :** Wi-Fi connecté

## Conseils d'utilisation

### Activer/Désactiver

Appuyez sur le bouton et maintenez-le enfoncé pendant 3 secondes pour activer le robot. L'indicateur d'alimentation doit être allumé. Placez le robot sur la station de base, le robot doit s'activer automatiquement et commencer à se recharger. Pour mettre hors le robot hors tension, retirez-le de la station d'accueil et maintenez enfoncé le bouton pendant 3 secondes.

### Cartographie rapide

Après avoir configuré le réseau pour la première fois, suivez les instructions de l'application pour créer rapidement une carte. Le robot commencera à cartographier sans nettoyage. Lorsque le robot retourne à la station de base, le processus de cartographie est terminé et la carte sera automatiquement enregistrée.

### Démarrer le nettoyage

Appuyez brièvement sur le bouton pour commencer le nettoyage une fois le robot activé. Ensuite, le robot suivra avec précision un itinéraire, nettoiera méthodiquement le long des bords et des murs, puis terminera en nettoyant chaque pièce en selon un schéma en S pour assurer un travail minutieux.

#### Remarque :

- Il est conseillé de placer le robot sur la station de recharge avec de commencer le nettoyage. Ne déplacez pas la station de recharge pendant que le robot effectue le nettoyage. Cela garantit que le robot retournera à la station de recharge sans problème.
- Une fois que le robot a terminé une tâche de nettoyage et qu'il est retourné à la station de base pour se recharger, la station de base commencera la purge automatique. D'autres réglages sont possibles avec l'application.

### Pause/Veille

Lorsque le robot fonctionne, appuyez sur n'importe quel bouton pour le mettre en pause.

Si le robot est mis en pause pendant plus de 10 minutes, il passe automatiquement en mode veille. Tous les indicateurs sur le robot s'éteindront. Appuyez sur n'importe quel bouton du robot ou de la station de base, ou utilisez l'application pour réactiver le robot.

**Remarque :** Si le robot est mis en pause et placé sur la station de recharge, la tâche de nettoyage en cours se terminera.

### Reprise automatique du nettoyage

Si la batterie est trop faible, le robot retournera automatiquement à la station de base pour se recharger. Après avoir rechargé la batterie au niveau approprié, il reprendra les tâches de nettoyage inachevées.

**Remarque :** Pour utiliser cette fonction, veuillez l'ouvrir dans l'application.


### Mode Ne pas déranger (DND)

Lorsque le robot est réglé sur le mode Ne pas déranger (DND), le robot ne pourra pas reprendre le nettoyage et l'indicateur d'alimentation s'éteindra. Le mode DND est désactivé par défaut à l'usine. Vous pouvez utiliser l'application pour activer le mode DND ou modifier la période DND. La période DND est de 22h00 à 8h00 par défaut.



#### Remarque :

- Les tâches de nettoyage programmées seront effectuées comme d'habitude pendant la période DND.
- Le robot reprendra le nettoyage là où il s'était arrêté après l'expiration de la période DND.

### Nettoyage de zone délimitée

Lorsque le robot est en veille, appuyez sur le bouton  pendant 3 secondes pour activer le mode de nettoyage de zone localisée. Dans ce mode, le robot nettoie une zone de forme carrée de 60 po (1,5 m) × 60 po (1,5 m) autour de lui et revient à son point de départ une fois le nettoyage de la zone terminé.

### Redémarrage du robot

Si le robot cesse de répondre ou ne peut pas être éteint, maintenez le bouton enfoncé le bouton  pendant 10 secondes pour l'éteindre de force. Ensuite, appuyez sur le bouton  et maintenez-le enfoncé pendant 3 secondes pour activer le robot.

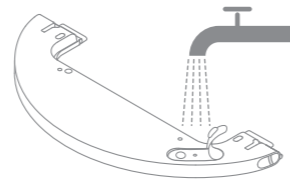
### Utiliser la fonction de lavage

Il est recommandé de passer l'aspirateur sur tous les planchers au moins trois fois avant la première séance de lavage pour obtenir un meilleur effet de nettoyage.

1. Humidifiez les lingettes de lavage et essorez l'excès d'eau. Installez la lingette comme indiqué sur le schéma.




2. Remplissez le réservoir d'eau.

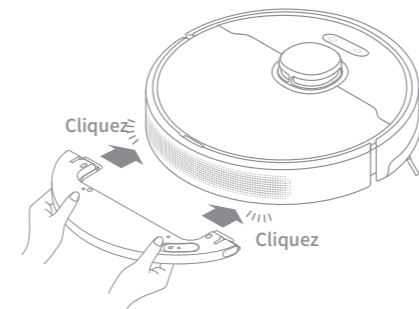


#### Remarque :

- N'utilisez pas de détergent ou de désinfectant.
- Ne remplissez pas le réservoir avec de l'eau chaude, car il risquerait de se déformer.

### Conseils d'utilisation

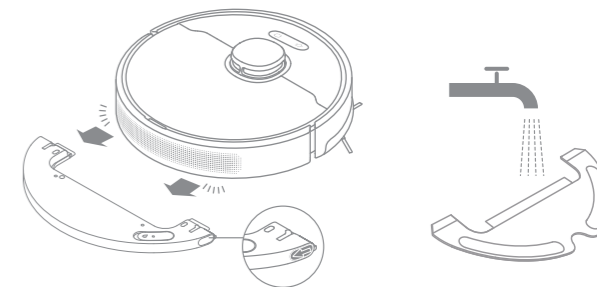
3. Alignez le module de lavage comme indiqué par la flèche et glissez-le à l'arrière du robot jusqu'à ce qu'il s'enclenche. Appuyez sur le bouton  ou utilisez l'application Dreamehome pour démarrer le nettoyage.



#### Remarque :

- Il n'est pas recommandé d'utiliser la fonction de lavage sur les tapis.
- Utilisez l'application pour régler le débit d'eau au besoin.

4. Lorsque le robot a terminé le nettoyage et retourne à la station de recharge, retirez l'unité de lavage et lavez la lingette immédiatement. Pour retirer le réservoir d'eau, faites glisser les clips de déverrouillage sur le côté et sortez-le.



**Remarque :** Lorsque le robot se charge ou ne fonctionne pas, retirez l'unité de lavage, videz l'eau restante du réservoir, et nettoyez la lingette pour éviter la formation de moisie et d'odeurs.

## Pièces

Pour maintenir le robot en bon état, il est recommandé de se référer à l'utilisation des accessoires dans l'application ou au tableau suivant pour l'entretien de routine.

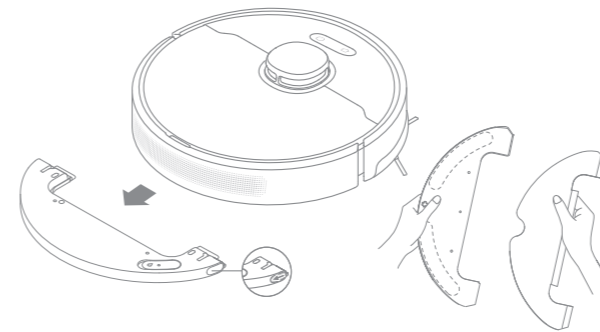
| Pièce  | Fréquence d'entretien          | Période de remplacement |
|--|--------------------------------|-------------------------|
| Lingette                                     | Après chaque utilisation       | Tous les 3 à 6 mois     |
| Brosse principale                            | Une fois toutes les 2 semaines | Tous les 6 à 12 mois    |
| Brosse latérale                              |                                | Tous les 3 à 6 mois     |
| Filtre du compartiment à poussière           |                                |                         |
| Station de base zone de signalisation        | Une fois par mois              | /                       |
| Station de base contacts de charge           |                                |                         |
| Station de base event de vidange automatique |                                |                         |
| Capteur de distance laser (LDS)              |                                |                         |
| Contacts de charge du robot                  |                                |                         |

**Remarque :** La fréquence de remplacement dépendra de votre utilisation du robot. Si une exception se produit en raison de circonstances particulières, les pièces doivent être remplacées.

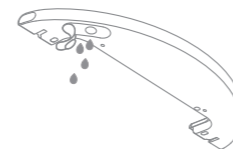
| Pièce                                      | Fréquence d'entretien | Période de remplacement |
|--|-----------------------|-------------------------|
| Événements de vidange automatique du robot | Une fois par mois     | /                       |
| Pare-chocs                                 |                       |                         |
| Roue omnidirectionnelle                    |                       |                         |
| Capteur de retour à la base                |                       |                         |
| Capteurs d'espace de vide                  |                       |                         |
| Dessous du robot                           | Nettoyez au besoin    |                         |
| Compartiment à poussière                   |                       |                         |
| Réservoir d'eau                            | /                     |                         |
| Sac à poussière                            | /                     | Tous les 2 à 4 mois     |

## Module de lavage

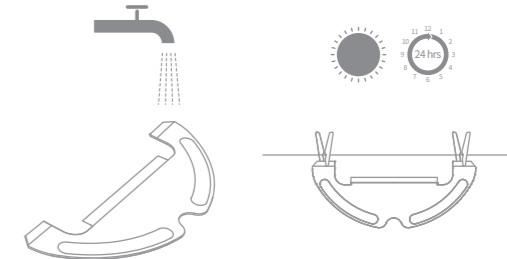
1. Faites glisser les deux clips de déverrouillage sur le côté du réservoir d'eau, retirez le module de lavage et retirez la lingette du module de lavage.



2. Versez l'eau dans le réservoir. Nettoyez le réservoir avec de l'eau uniquement et laissez-le sécher à l'air avant de le réinstaller.



3. Nettoyez la lingette avec de l'eau uniquement et laissez-les sécher à l'air avant de le réinstaller.



**Remarque :** Retirez la lingette du module de lavage avant de le nettoyer et assurez-vous que l'eau sale ne retourne pas dans les sorties d'eau pour éviter de le boucher.

4. Si l'écoulement d'eau est lent ou si l'eau n'est pas bien répartie, nettoyez le trou d'air dans le couvercle du réservoir d'eau.

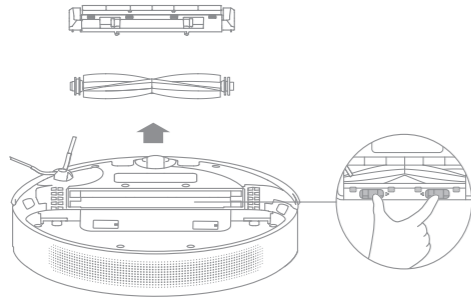


**Remarque :** N'exposez pas le réservoir d'eau à la lumière directe du soleil.

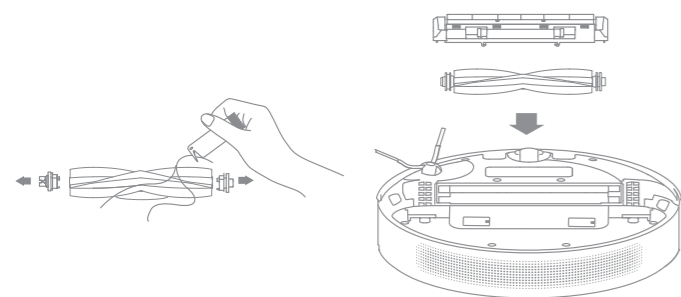
## Entretien de routine

### Brosse principale

1. Appuyez sur les clips de la plaque de protection de la brosse pour retirer la plaque de protection de la brosse et soulevez la brosse pour la sortir du robot.



2. Retirez les couvercles de brosse aux deux extrémités de la brosse comme indiqué sur la figure. Utilisez l'outil de nettoyage fourni pour enlever les poils emmêlés dans la brosse. Réinstallez les couvercles de brosse aux deux extrémités de la brosse, puis réinstallez la brosse. Poussez sur la plaque de protection de la brosse pour la verrouiller en place.

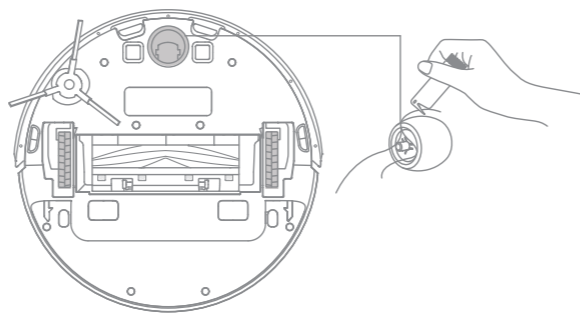


### Brosse latérale

Retirez et nettoyez la brosse latérale.



### Roue omnidirectionnelle



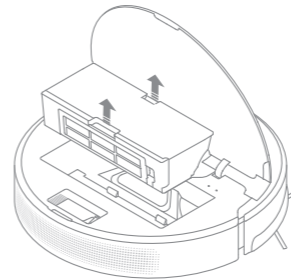
#### Remarque :

- Utilisez un outil tel qu'un petit tournevis pour séparer l'essieu et le pneu de la roue omnidirectionnelle. N'utilisez pas une force excessive.
- Rincez la roue omnidirectionnelle sous l'eau courante et remettez-la après l'avoir complètement séchée.

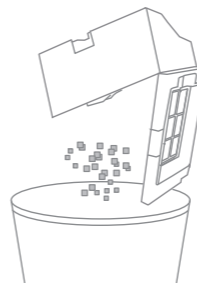
## Entretien de routine

### Compartment à poussière

1. Ouvrez le couvercle du robot et appuyez sur le clip pour retirer le bac à poussière.

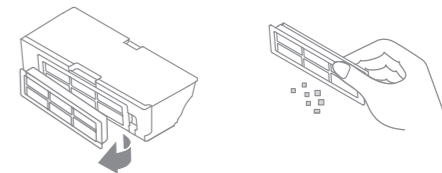


2. Ouvrez le couvercle du compartiment à poussière et videz le compartiment à poussière comme indiqué sur le schéma.



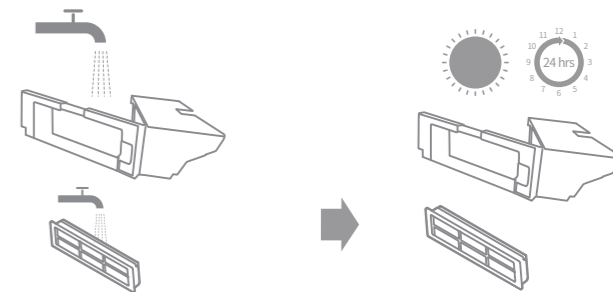
### Filtre

1. Retirez le filtre et tapotez doucement sur son panier.



**Remarque :** N'essayez pas de nettoyer le filtre avec une brosse, les doigts ou des objets pointus pour éviter de l'endommager.

2. Rincez le compartiment à poussière et le filtre à l'eau et séchez-les complètement avant de les réinstaller.

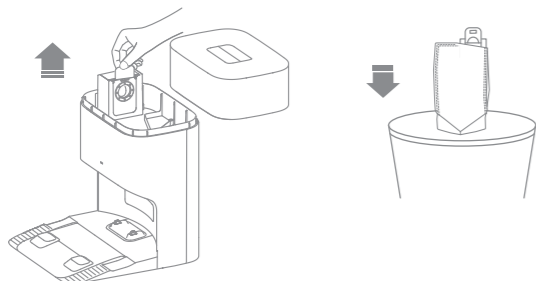


#### Remarque :

- Rincez le compartiment à poussière et le filtre uniquement à l'eau claire. N'utilisez aucun détergent.
- Utilisez le compartiment à poussière et le filtre uniquement lorsqu'ils sont complètement secs.

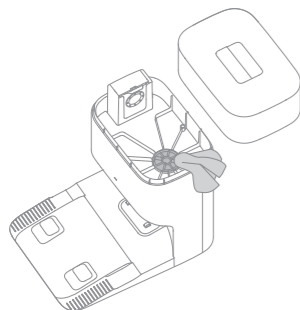
## Sac à poussière

1. Retirez et jetez le sac à poussière.

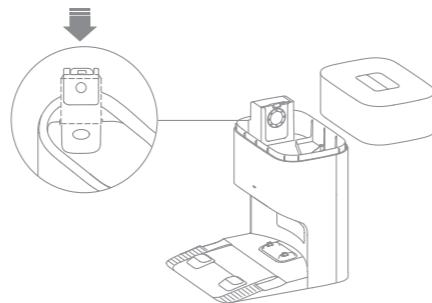


**Remarque :** Tirez sur la poignée pour verrouiller le sac à poussière et empêcher la poussière et les débris de tomber accidentellement.

2. Retirez la poussière et les débris du filtre avec un chiffon sec.



3. Installez un nouveau sac à poussière.



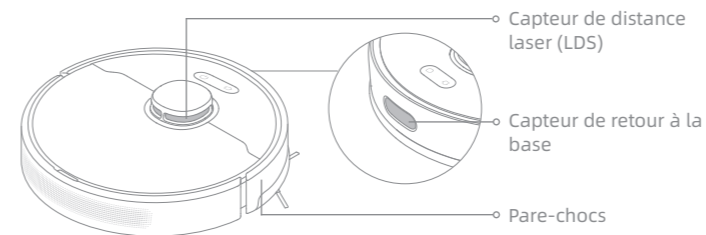
4. Fermez le couvercle du bac à poussière.



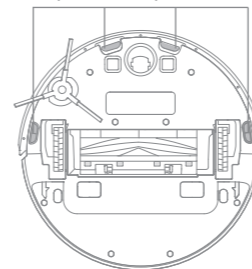
## Entretien de routine

## Capteurs du robot

Essuyez les capteurs du robot à l'aide d'un chiffon doux et sec, comme illustré dans la figure ci-dessous :



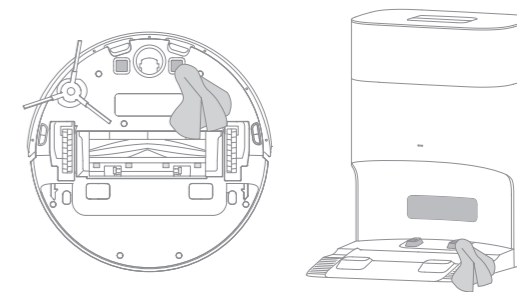
Capteurs d'espace vide



**Remarque :** Un chiffon humide peut endommager les éléments sensibles à l'intérieur du robot et de la station de base. Veuillez utiliser un chiffon sec pour le nettoyage.

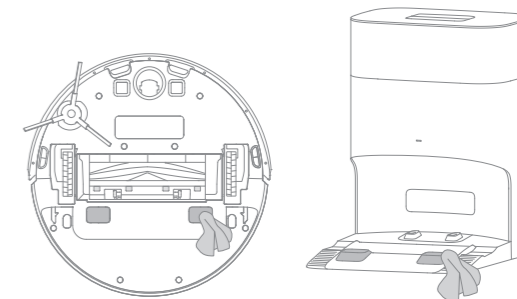
## Contacts de recharge et zone de signalisation

Nettoyez les contacts de recharge et la zone de signal avec un chiffon doux et sec.



## Évent de vidange automatique

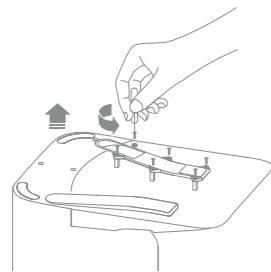
Nettoyez les événements de vidange automatique du robot et de la station de base avec un chiffon doux et sec.



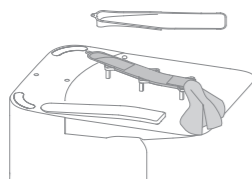
## Tuyau d'air

Si le tuyau d'air est obstrué, nettoyez-le en suivant les étapes suivantes.

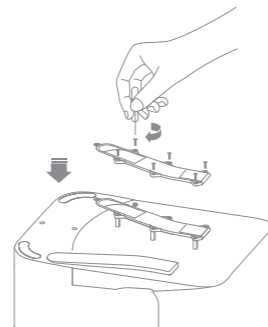
1. Dévissez les vis de montage sur le couvercle du tuyau d'air et retirez le couvercle.



2. Vérifiez si le tuyau d'air est obstrué par des objets. Le cas échéant, retirez-les.



3. Réinstallez le couvercle du tuyau d'air.





## Pile

Le robot contient une batterie lithium-ion haute performance. Assurez-vous que la batterie reste bien chargée pour une utilisation quotidienne afin de maintenir des performances optimales de la batterie. Si le robot n'est pas utilisé pendant une période prolongée, désactivez-le et rangez-le. Pour éviter tout dommage dû à une décharge excessive, le robot doit être rechargé au moins une fois tous les trois mois.

## Dépannage

| Problème   | Solution  |
|--|---|
| Le robot ne démarre pas.   | La batterie est faible. Rechargez le robot sur la station de recharge et réessayez.<br>La température de la pile est trop basse ou trop élevée. Il est recommandé de faire fonctionner l'appareil à une température comprise entre 0 °C (32 °F) et 40 °C (104 °F).  |
| Le robot ne se charge pas.   | La station de base n'est pas connectée à l'alimentation, veuillez vous assurer que les deux extrémités de son cordon d'alimentation sont correctement branchées.<br>Le contact entre les bornes de charge de la station de base et le robot est mauvais, veuillez nettoyer les contacts de charge.  |
| Le robot ne parvient pas à se connecter au Wi-Fi.                        | Le mot de passe du réseau Wi-Fi est incorrect. Assurez-vous que le mot de passe utilisé pour vous connecter à votre réseau Wi-Fi est correct.<br>Le robot ne prend pas en charge une connexion Wi-Fi 5 GHz. Assurez-vous que le robot est connecté à une connexion Wi-Fi 2,4 GHz.<br>Le signal Wi-Fi est faible. Assurez-vous que le robot se trouve dans une zone avec une bonne couverture Wi-Fi.<br>Le robot n'est peut-être pas prêt à être configuré. Veuillez quitter et entrer à nouveau dans l'application, puis réessayer comme indiqué.   |
| Le robot ne peut pas trouver et retourner à la station de base.          | La station de base est déconnectée de l'alimentation ou déplacée lorsque le robot n'est pas dessus. Veuillez connecter la station de base à l'alimentation ou placer le robot sur la station de base pour le charger.<br>Il y a trop d'obstacles autour de la station de base. Placez la station de recharge dans un endroit plus ouvert.<br>Déplacer le robot peut causer un repositionnement, et il recréera une carte si le repositionnement échoue. Si le robot est trop éloigné de la station de base, il se peut qu'il ne puisse pas revenir automatiquement tout seul, auquel cas vous devrez placer manuellement le robot sur la station de base.<br>Essuyez la zone de signalisation de la station de base pour éliminer la poussière ou les débris. |
| Le robot se coince devant la station de base et ne peut pas y retourner. | Dégagez tout obstacle à moins de 19,7" (0,5 m) sur les côtés gauche et droit ou à moins de 60" (1,5 m) devant la station de base pour éviter que le robot ne soit bloqué.<br>L'itinéraire de retour pour se recharger est bloqué, par exemple la porte est fermée.<br>Il est recommandé de déplacer la station de base à un autre endroit et de réessayer.  |

| Problème   | Solution   |
|--|--|
| Le robot ne s'éteint pas.                            | Le robot ne peut pas être éteint lorsqu'il est en charge. Il est recommandé d'éloigner le robot de la station d'accueil, puis d'appuyer sur le bouton  et de le maintenir enfoncé pendant 3 secondes pour l'éteindre.<br>Si le robot ne peut pas être éteint en effectuant l'étape 1, appuyez sur le bouton  et maintenez-le enfoncé pendant 10 secondes pour éteindre de force le robot. Si le problème persiste, veuillez contacter l'équipe du service après-vente. |
| La vitesse de charge est lente.                      | Il faut environ 6 heures pour charger complètement le robot lorsque sa batterie est faible.<br>Si vous utilisez le robot à des températures en dehors de la plage spécifiée, la vitesse de charge ralentira automatiquement pour prolonger la durée de vie de la batterie.<br>Les contacts de charge du robot et de la station de recharge sont peut-être sales, veuillez les essuyer avec un chiffon sec.   |
| Le bruit augmente quand le robot fonctionne.         | Vérifiez si le filtre du bac à poussière est bouché. Si c'est le cas, nettoyez-le ou remplacez-le.<br>Un objet dur peut se coincer dans la brosse principale ou le compartiment à poussière. Vérifiez et retirez tout objet dur.<br>La brosse principale ou la brosse latérale peuvent être coincées. Vérifiez et retirez tous les objets étrangers.<br>Basculez le mode d'aspiration sur Standard ou Silencieux.  |
| Le robot se déplace sans suivre l'itinéraire défini. | Les objets tels que des cordons d'alimentation et les pantoufles doivent être rangés avant d'utiliser le robot.<br>Travailler sur des surfaces mouillées et glissantes peut faire glisser la roue principale. Il est recommandé de sécher toutes les zones humides avant d'utiliser le robot.  |
| Le robot n'a pas nettoyé les pièces à nettoyer.      | Assurez-vous que les portes des pièces à nettoyer sont ouvertes.<br>Vérifiez s'il y a un seuil supérieur à 0,8" (2 cm) à la porte de la pièce. Le robot ne peut pas franchir des seuils ou des marches élevés.<br>L'endroit devant la pièce à nettoyer peut être humide et glissant, ce qui fait que le robot glisse et fonctionne anormalement. Séchez le sol avant d'utiliser le robot.  |

| Problème   | Solution   |
|--|--|
| Le robot ne reprend pas le nettoyage après la charge.  | Vérifiez que le robot n'est pas réglé sur le mode Ne pas déranger (DND), ce qui l'empêche de reprendre le nettoyage.<br>Le robot ne reprendra pas le nettoyage une fois que vous aurez remis manuellement le robot sur la station de base pour le recharger, ce qui inclut le placement manuel du robot sur la station de base ou l'envoi du robot pour le recharger via l'application, la station de base ou le robot lui-même. |
| La station de recharge ne peut pas vider automatiquement le bac à poussière.                 | Vérifiez si le sac à poussière dans le réservoir à poussière est plein.<br>Si le sac à poussière n'est pas plein, vérifiez s'il y a une obstruction au niveau des événements de vidange automatique du robot, de la station de base ou du compartiment à poussière. Le cas échéant, nettoyez la pièce bloquée à temps.   |
| Aucune eau ne sort du réservoir d'eau, ou seulement un peu.                                  | Vérifiez s'il y a de l'eau à l'intérieur du réservoir d'eau.<br>Nettoyez le trou d'air sur le bouchon de réservoir d'eau.<br>Nettoyez les lingettes si elles sont sales.<br>Assurez-vous que la lingette est correctement installée conformément au manuel d'utilisation.  |
| Le robot retourne à la station de recharge sans effectuer la procédure de purge automatique. | Le mode DND empêche le robot d'effectuer la procédure de purge automatique.  |

Pour des services supplémentaires, veuillez nous contacter via [support.us@dreame.tech](mailto:support.us@dreame.tech)

Tel: +1 (866) 977-5177

## Robot

|                              |                                |
|------------------------------|--------------------------------|
| Modèle                       | RLD32GD                        |
| Temps de charge              | Environ 6 heures               |
| Tension nominale             | 14,4 V $\overline{\text{---}}$ |
| Puissance nominale           | 75 W                           |
| Fréquence de fonctionnement  | 2400 - 2483,5 MHz              |
| Puissance de sortie maximale | < 20 dBm                       |

Dans des conditions normales d'utilisation, cet équipement doit être maintenu à une distance de séparation d'au moins 8" (20 cm) entre l'antenne et le corps de l'utilisateur.

## Station de vidange automatique

|                    |                                  |
|--------------------|----------------------------------|
| Modèle             | RCDD020Z                         |
| Puissance nominale | 120 V~ 60Hz 4.4A                 |
| Sortie nominale    | 20 V $\overline{\text{---}}$ 1 A |

## Información de Seguridad

## INSTRUCCIONES IMPORTANTES DE SEGURIDAD

Cuando utiliza un aparato eléctrico, siempre debe seguir las precauciones básicas, incluidas las siguientes:

LEA TODAS LAS INSTRUCCIONES ANTES DE USAR (ESTE APARATO), El incumplimiento de las advertencias e instrucciones puede provocar descarga eléctrica, incendio y/o lesiones graves.

## GUARDE ESTAS INSTRUCCIONES

Solo para uso doméstico.

**ADVERTENCIA** -Para reducir el riesgo de incendio, descarga eléctrica o lesiones:

- No lo utilice al aire libre o sobre superficies mojadas.
- No permita que se utilice como un juguete. Debe prestar mucha atención cuando se utiliza cerca de niños, mascotas o plantas.
- Use únicamente como se describe en este manual. Sólo utilice los accesorios recomendados por el fabricante.
- No lo utilice con el cable o enchufe dañado. Si el aparato no funciona correctamente, se ha caído, dañado, dejado al aire libre o sumergido en agua, remítalo a un centro de servicio.
- No tire ni transporte agarrando el cable, no use el cable como asa, no cierre puertas encima del cable ni pase el cable por bordes o esquinas afiladas. No pase el aparato por encima del cable. Mantenga el cable alejado de superficies calientes.
- No desenchufe tirando del cable. Para desenchufar, agarre el enchufe, no el cable.
- No manipule la base de vaciado automático, el enchufe del cargador y los terminales del cargador con las manos mojadas.
- No coloque ningún objeto en las aberturas. No lo utilice si tiene alguna abertura bloqueada; manténgalo libre de polvo, pelusas, cabello y cualquier material que pueda reducir el flujo de aire.

## Información de Seguridad

- Mantenga el cabello, la ropa holgada, los dedos y todas las partes del cuerpo alejados de las aberturas y las piezas móviles.
- Apague todos los controles antes de desenchufar.
- No lo use para limpiar líquidos inflamables o combustibles, como gasolina, ni lo use en zonas donde puedan estar presentes.
- Conéctelo únicamente a un tomacorriente correctamente puesta a tierra. Consulte las instrucciones de puesta a tierra.
- No limpie nada que se esté quemando o humeando, como cigarrillos, cerillas o cenizas calientes.
- No lo utilice sin la bolsa para el polvo.
- Evite el encendido involuntario. Asegúrese de que el interruptor esté apagado antes de conectarlo a la batería, levantarlo o transportarlo. Transportar el aparato con el dedo apoyado en el interruptor o energizar el aparato con el interruptor encendido puede causar accidentes.
- No utilice ni guarde el aparato en ambientes extremadamente calientes o fríos (debajo de 0°C/32 °F o por encima de 40°C/104 °F). Cargue el robot a una temperatura por encima de 0°C/32 °F y 40°C/104 °F.
- Desconecte la batería del aparato antes de realizar cualquier ajuste, cambiar accesorios o almacenar el aparato. Estas medidas preventivas de seguridad reducen el riesgo de encender por accidente el aparato.
- Recargue sólo con el cargador especificado por el fabricante. Un cargador adecuado para un tipo de batería puede provocar riesgo de incendio si se utiliza en otra batería.
- Use sus aparatos sólo con las baterías específicamente indicadas. El uso de cualquier otra batería puede provocar riesgo de lesiones e incendio.
- Cuando la batería no esté en uso, manténgala alejada de objetos metálicos, como clips de papel, monedas, llaves, clavos, tornillos u otros objetos metálicos pequeños que pueden provocar la conexión de los terminales. Un cortocircuito en los terminales de la batería puede provocar quemaduras o incendios.
- Bajo condiciones abusivas, puede haber fugas de líquido en la batería; evite el contacto. Si ocurre contacto accidental, enjuague con agua. Si el líquido entra en contacto con los ojos, busque atención médica. El líquido derramado de la batería puede provocar irritación o quemaduras.

## Información de Seguridad

- No utilice una batería o un aparato dañado o modificado. Las baterías dañadas o modificadas pueden tener un comportamiento impredecible que resulte en fuego, explosión o lesiones.
- No exponga una batería o un aparato al fuego ni a temperaturas excesivas. La exposición al fuego o una temperatura superior a 130°C/266 °F puede provocar explosiones.
- Siga todas las instrucciones de carga y no cargue la batería o el aparato fuera del rango de temperatura indicado en las instrucciones. La carga incorrecta o a temperaturas fuera del rango indicado puede dañar la batería y aumentar el riesgo de incendio.
- Remita el servicio a un técnico calificado que utilice únicamente idénticas piezas de repuesto. Esto asegurará que se mantenga la seguridad del producto.
- No modifique ni intente reparar el aparato o la batería, excepto de la forma indicada en las instrucciones de uso y cuidado.
- Coloque los cables de otros aparatos fuera de la zona que va a limpiar.
- No opere la aspiradora en una habitación en la que duerme un bebé o un niño.
- No opere la aspiradora en una zona con velas encendidas u objetos frágiles en el suelo.
- No opere la aspiradora en una habitación con velas encendidas encima de aquellos muebles que la aspiradora pueda golpear accidentalmente.
- No permita que los niños se sienten encima de la aspiradora.
- No utilice la aspiradora sobre superficies húmedas.
- Usar sólo con la unidad de alimentación RCDD0202.
- Riesgo de lesiones. El cepillo puede comenzar a trabajar inesperadamente. Apague el aparato y quite el cepillo antes de limpiarlo o repararlo.
- Desenchúfelo antes de limpieza o mantenimiento.

## Información de Seguridad

Este dispositivo cumple con la Parte 15 de la Normativa FCC / RSS exentos de licencia de Canadá para la innovación, la ciencia y el desarrollo económico. Su operación queda sujeta a las dos condiciones siguientes: (1) este dispositivo no deberá causar ninguna interferencia nociva. (2) este dispositivo deberá aceptar cualquier interferencia que reciba, incluyendo toda interferencia que pueda causarle un funcionamiento no deseado.

Cambios o modificaciones no aprobados expresamente por la parte responsable del cumplimiento podrían anular la autoridad del usuario para operar el equipo.

Este equipo ha sido probado y se ha determinado que cumple con los límites para un dispositivo digital de Clase B, de conformidad con la parte 15 de las Reglas de la FCC. Estos límites están diseñados para brindar una protección razonable contra interferencias dañinas en un edificio residencial. Este equipo genera usos y puede irradiar energía de radiofrecuencia y, si no se instala o utiliza de acuerdo con las instrucciones, puede causar interferencias dañinas en las comunicaciones por radio. Sin embargo, no hay garantía de que no se produzcan interferencias en una instalación en particular. Si este equipo causa interferencias dañinas en la recepción de radio o televisión, lo que se puede determinar con apagar y encender el equipo, se recomienda al usuario que intente corregir la interferencia mediante una o más de las siguientes medidas:

- Reorientar o reubicar la antena receptora.
- Aumentar la separación entre el equipo y el receptor.
- Conectar el equipo a una toma de un circuito diferente al que está conectado el receptor.
- Consultar al distribuidor o a un técnico experimentado con radio/TV para obtener ayuda.

## Información de Seguridad

Recordatorio en relación con la máxima exposición admisible (MPE)

A fin de cumplir con los requisitos de FCC / IC en materia de exposición a la radiofrecuencia, se deberá mantener una distancia mínima de 8" (20 cm) o más entre la antena de este dispositivo y cualquier persona durante el funcionamiento. A fin de garantizar dicho cumplimiento, no se recomienda la utilización a una distancia inferior a la indicada.

Para desactivar el módulo Wi-Fi en robot, por favor encienda el robot. Coloque el robot en la base de Vaciado Automático. Asegúrese de que los Contactos de Carga en el robot y la Base de Vaciado Automático se conecten.

Mantenga presionando el Botón de Tomacorriente del robot durante 20 segundos hasta que el módulo Wi-Fi se apague. Al apagar el módulo Wi-Fi, presione cualquier botón del robot para activar el módulo Wi-Fi.

|       |                    |
|-------|--------------------|
| — — — | Corriente continua |
| ~     | Corriente alterna  |

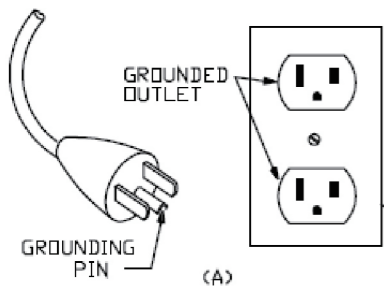
Este dispositivo cumple con las normas de radiación del DHHS, título 21 del CFR, capítulo 1, subcapítulo J.

I: ENCENDIDO

O: APAGADO

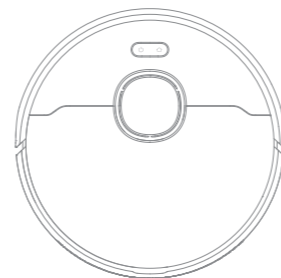
Este aparato debe estar conectado a tierra. Si funciona mal o se avería, la conexión a tierra proporciona una ruta de menor resistencia para la corriente eléctrica para reducir el riesgo de descarga eléctrica. Este aparato está equipado con un cable que tiene un conductor de puesta a tierra y un enchufe con puesta a tierra. El enchufe debe insertarse en un tomacorriente apropiado que esté correctamente instalado y conectado a tierra de acuerdo con todos los códigos y ordenanzas locales.

**ADVERTENCIA:** la conexión incorrecta del conductor de puesta a tierra puede provocar un riesgo de descarga eléctrica. Consulte a un electricista calificado o una persona de servicio si tiene dudas sobre si el tomacorriente está correctamente conectado a tierra. No modifique el enchufe provisto con el aparato; si no encaja en el tomacorriente, invite a un electricista cualificado a instalar un tomacorriente adecuado. Este aparato es diseñado para usarse en un circuito nominal de 120V y tiene un enchufe de puesta a tierra que se parece al enchufe que se ilustra a continuación. Asegúrese de que el aparato esté conectado a un tomacorriente que tenga la misma configuración que el enchufe. No se debe usar ningún adaptador con este aparato.



## Descripción del producto

### Contenidos del paquete



Robot



Base de carga con vaciado automático

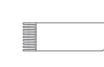
### Otros accesorios



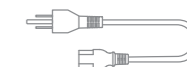
Cepillo lateral



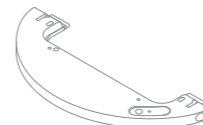
Bolsa de polvo x2 (preinstalado x1)



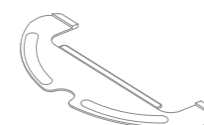
Herramienta de limpieza (preinstalado)



Cable de alimentación



Tanque de agua



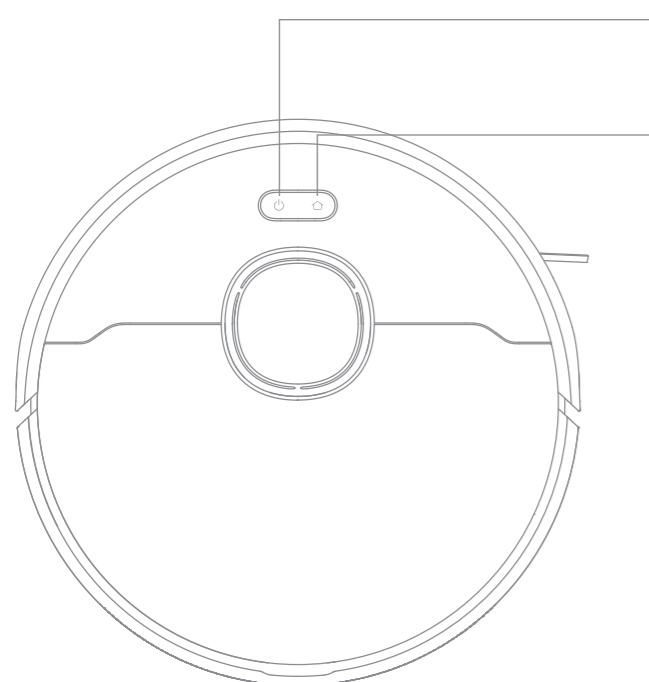
Almohadilla de trapeado (preinstalado)



Manual del usuario

## Descripción del producto

### Robot



- Botón de encendido/limpieza**
  - Presione y mantenga pulsado durante 3 segundos para encender o apagar
  - Presione para iniciar la limpieza después de encender el robot

- Botón de base/limpieza de manchas**
  - Presione para enviar el robot de regreso a la base de carga
  - Presione y mantenga pulsado durante 3 segundos para iniciar la limpieza de manchas

#### Indicador de estado

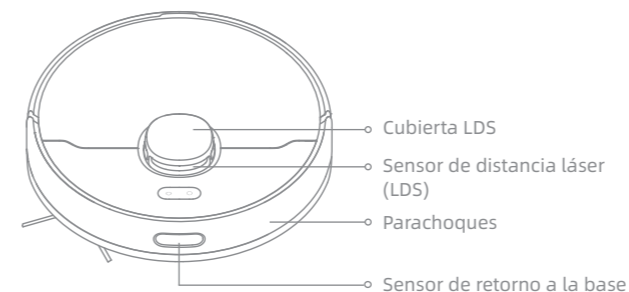
- **Blanco sólido:** Limpieza o aseo completado
- **Naranja parpadeante:** Error
- **Respiración blanca:** El robot se está cargando cuando la batería no está baja

#### Nota:

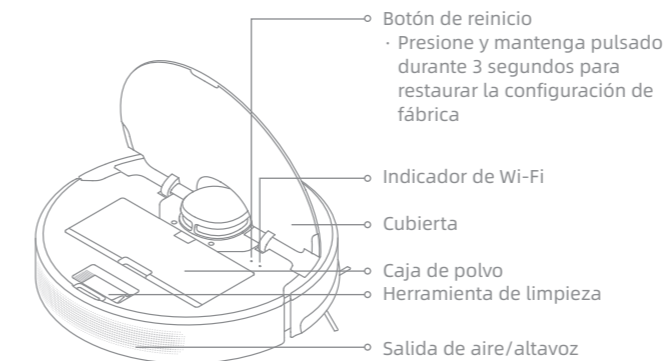
- Presione cualquier botón en el robot para ponerlo en pausa mientras el robot está limpiando o retornando a cargar.
- El bloqueo infantil se puede habilitar/deshabilitar a través de la app Dreamehome.

## Descripción del producto

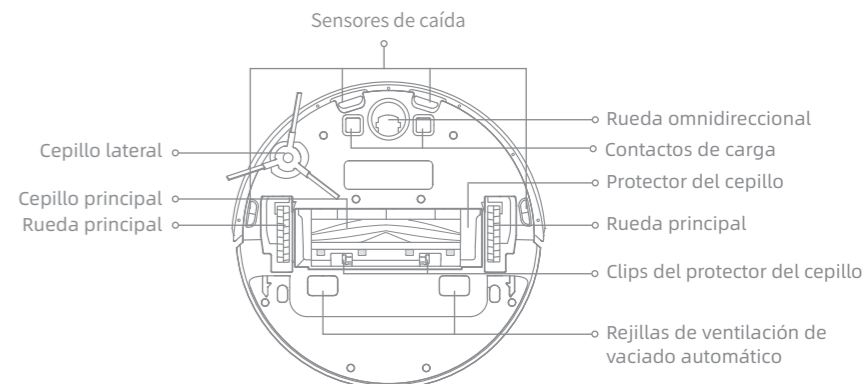
### Robot y sensores



- Cubierta LDS
- Sensor de distancia láser (LDS)
- Parachoques
- Sensor de retorno a la base



- Botón de reinicio
  - Presione y mantenga pulsado durante 3 segundos para restaurar la configuración de fábrica
- Indicador de Wi-Fi
- Cubierta
- Caja de polvo
- Herramienta de limpieza
- Salida de aire/altavoz



- Sensores de caída
- Cepillo lateral
- Cepillo principal
- Rueda principal
- Rueda omnidireccional
- Contactos de carga
- Protector del cepillo
- Rueda principal
- Clips del protector del cepillo
- Rejillas de ventilación de vaciado automático

### Caja de polvo

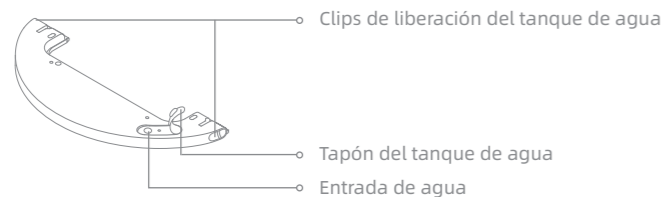


- Clip de la caja de polvo
- Clip del filtro
- Clip de la cubierta de la caja de polvo
- Filtro
- Cubierta de la caja de polvo

## Descripción del producto

### Módulo de trapeado

#### Tanque de agua

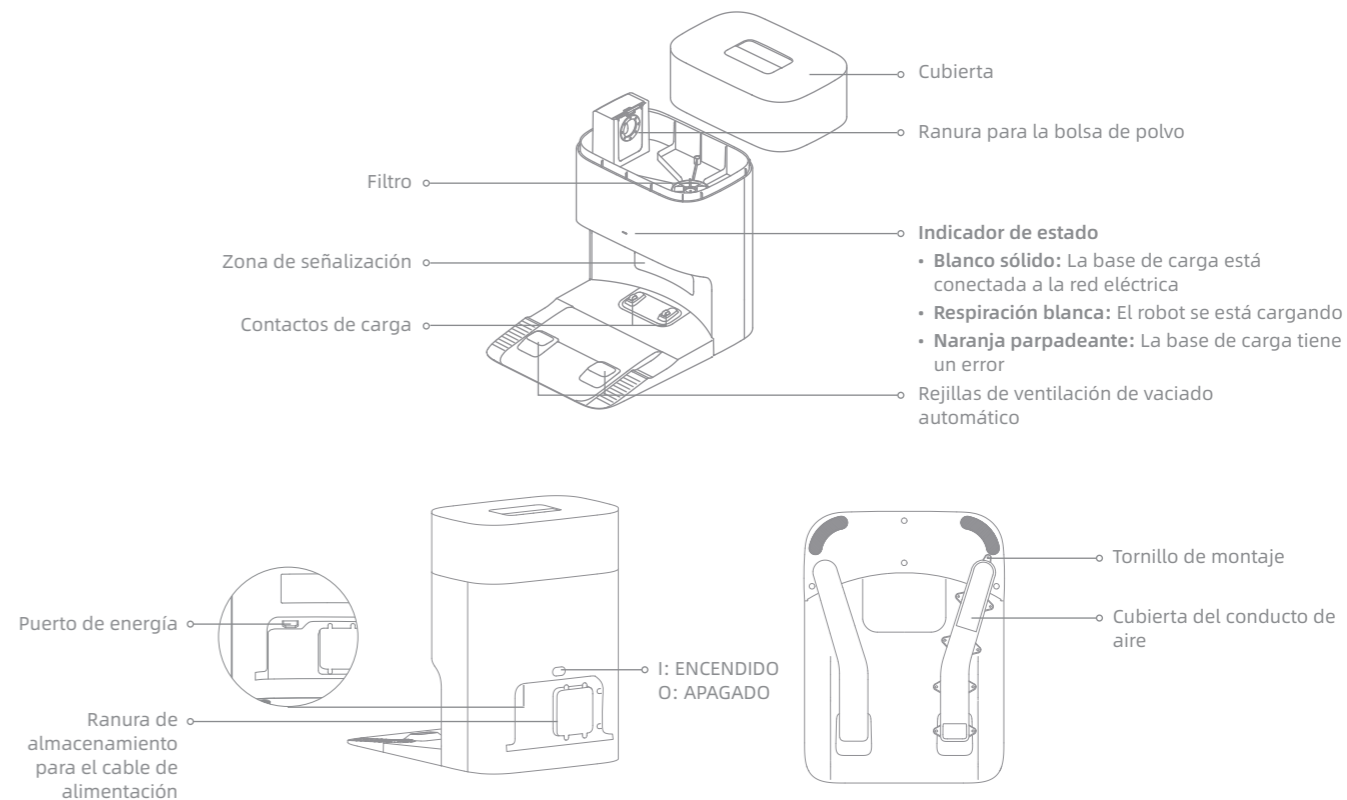


#### Almohadilla de trapeado



## Descripción del producto

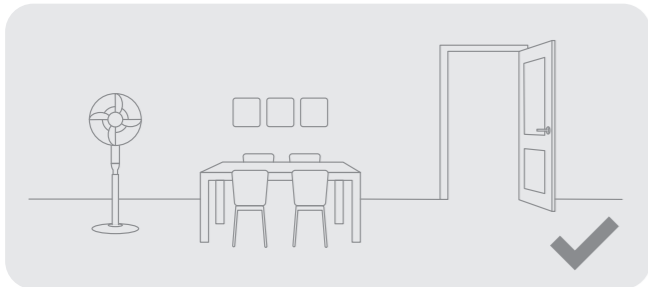
### Base de carga con vaciado automático



## Preparando su hogar



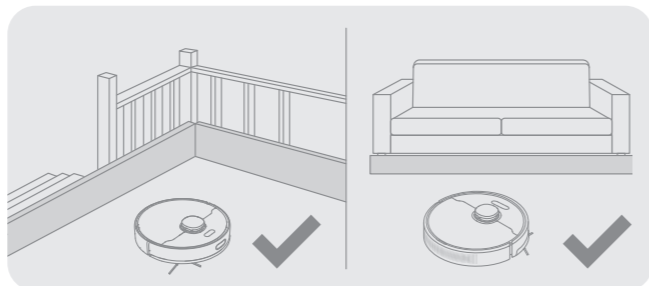
Antes de limpiar, retire todos los objetos inestables, frágiles, de valor o peligrosos y retire los cables, prendas, juguetes, objetos duros y con punta que estén en el suelo para evitar que se enreden, sean raspados o golpeados por el robot y se causen daños.



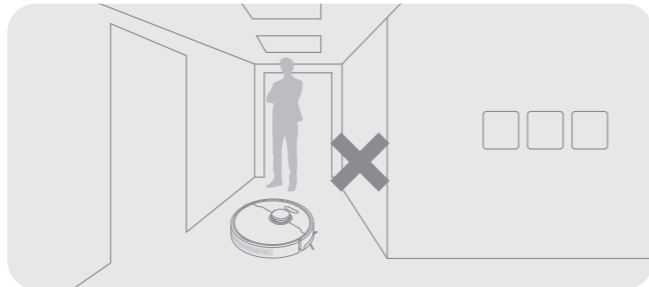
Abra la puerta de la habitación a limpiar y coloque los muebles en su lugar adecuado para dejar más espacio.

### Nota:

- Cuando se opere el robot por primera vez, sígalo mientras limpia para remover cualquier posible obstáculo oportunamente.
- No aspire objetos duros como piedras, bolas de acero y partes de juguetes, u objetos con punta como desechos de construcción, vidrios rotos o clavos; de lo contrario, el suelo puede rayarse.



Antes de limpiar, coloque una barrera física en el borde de las escaleras y el sofá para garantizar el funcionamiento seguro y sin problemas del robot.



Para evitar que el robot no reconozca las áreas que necesitan ser limpiadas, no se pare frente al robot, o en un umbral, pasillo o lugares estrechos.

## Antes de usar

### 1. Coloque la base de carga y conéctela a un tomacorriente

Coloque la base de carga en un terreno nivelado contra la pared. Inserte el cable de alimentación en la base de carga y conéctelo a la toma de corriente.

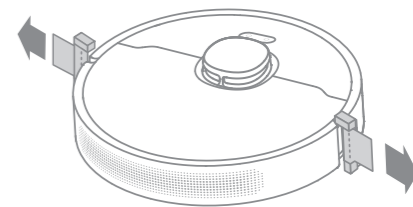
- Coloque la base de carga en un lugar lo más abierto posible con una buena señal Wi-Fi.



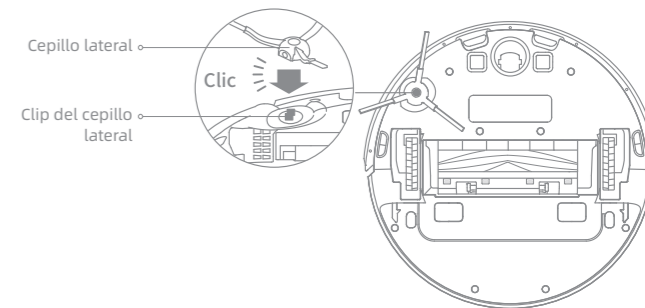
### Nota:

- Asegúrese de que ningún objeto pueda bloquear la zona de señalización.
- Retire cualquier objeto que esté a menos de 60" (1,5 m) del frente y 19,7" (0,5 m) de cada lado de la base de carga.

### 2. Retire las protecciones



### 3. Instale el cepillo lateral

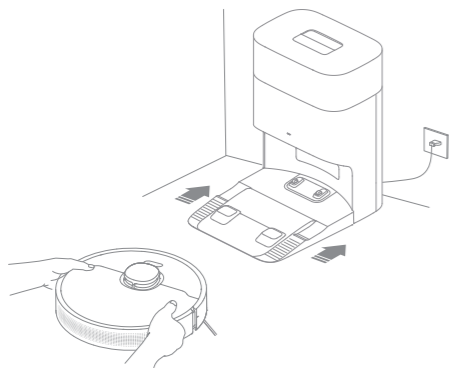


**Nota:** Instale el cepillo lateral hasta que haga clic en el lugar apropiado.

## Antes de usar

### 4. Cargue el robot

Al colocar el robot, alinee los contactos de carga de la parte inferior del robot con los contactos de carga de la base de carga, y el robot se encenderá automáticamente e iniciará la carga.

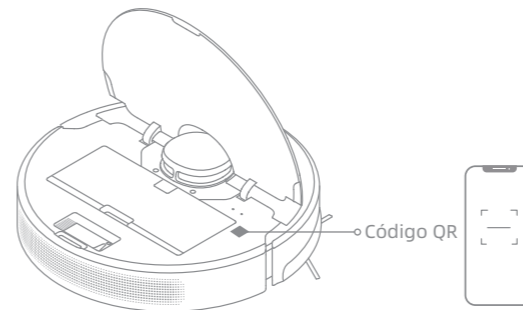


**Nota:** Se recomienda cargar completamente su robot antes de su primer uso.

## Conectando con la app Dreamehome

### 1. Descargue la app Dreamehome

Escanee el código QR en el robot, o busque "Dreamehome" en la tienda de aplicaciones para descargar e instalar la app.



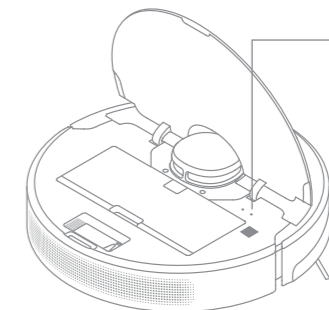
**Nota:**

- Solo se admite Wi-Fi de 2,4GHz.
- Debido a las actualizaciones en el software de la app, las operaciones reales pueden diferir de las instrucciones de este manual. Siga las instrucciones basadas en la versión actual de la app.

### 2. Agregar dispositivo

Abra la app Dreamehome, toque en la esquina superior derecha y escanee el mismo código QR de nuevo en el robot para agregar el dispositivo. Siga las indicaciones para finalizar la conexión Wi-Fi.



**Nota:** Si desea restablecer el Wi-Fi, repita el paso 2 y luego siga las instrucciones para finalizar la conexión Wi-Fi.



- Indicador de Wi-Fi**
- Parpadeando lentamente: A conectar
  - Parpadeando rápidamente: Conectando
  - Encendido: Wi-Fi conectado

## Como utilizar


### Encender / apagar

Presione y mantenga pulsado el botón  durante 3 segundos para encender el robot. El indicador de potencia debe estar iluminado. Coloque el robot en la base de carga, el robot debe encenderse automáticamente y comenzar a cargarse. Para apagar el robot, aleje el robot de la base de carga y presione y mantenga pulsado el botón  durante 3 segundos.

### Mapeo rápido

Después de configurar la red por primera vez, siga las instrucciones en la app para crear rápidamente un mapa. El robot comenzará a mapear sin limpiar. Cuando el robot regresa a la base de carga, el proceso de mapeo se ha completado y el mapa se guardará automáticamente.

### Empezar a limpiar

Presione brevemente el botón  para iniciar la limpieza después de encender el robot. El robot trazará con precisión una ruta, limpiará metódicamente a lo largo de los bordes y las paredes y luego terminará limpiando cada habitación en un patrón en forma de S para garantizar un trabajo minucioso.

#### Nota:

- Se recomienda que el robot salga de la base de carga antes de limpiarlo. No mueva la base de carga mientras el robot está limpiando. Esto garantiza que el robot regrese a la base de carga con éxito.
- Después que el robot completa la tarea de limpieza y regresa a la base de carga automáticamente, la base de carga comenzará con el vaciado automático. En la app se pueden realizar más ajustes.

### Pausa/suspensión

Cuando el robot esté funcionando, presione cualquier botón para ponerlo en pausa. Si el robot está en pausa por más de 10 minutos, automáticamente entrará en modo de suspensión. Todos los indicadores del robot se apagará. Presione cualquier botón sobre el robot o la base de carga, o use la app para despertar al robot.

**Nota:** Si el robot está en pausa y colocado en la base de carga, la tarea de limpieza actual terminará.

### Limpieza de reanudación automática

Si la batería está demasiado baja, el robot volverá automáticamente a la base de carga para cargarse. Después de cargar al nivel de batería apropiado, reanudará las tareas de limpieza sin terminar.

**Nota:** Para utilizar esta función, ábrala en la App.

### Modo no molestar (DND)


Cuando el robot se pone en modo No Molestar (DND), se evitará que el robot reinicie la limpieza y el indicador de encendido se apagará. El modo DND está deshabilitado por defecto desde la fábrica. Usted puede usar la app para habilitar el modo DND o modificar el período de DND. El período de DND es 22:00-8:00 por defecto.

#### Nota:



- Las tareas de limpieza programadas se realizarán normalmente durante el período DND.
- El robot reanudará la limpieza donde la dejó una vez que expire el período de DND.

## Como utilizar

### Limpieza de manchas

Cuando el robot está en espera, presione y mantenga pulsado el botón  durante 3 segundos para activar el modo de limpieza de manchas. En este modo el robot limpia un área de forma cuadrada de 1,5 x 1,5 metros a su alrededor y retorna a su punto inicial una vez que haya completado la limpieza de manchas.

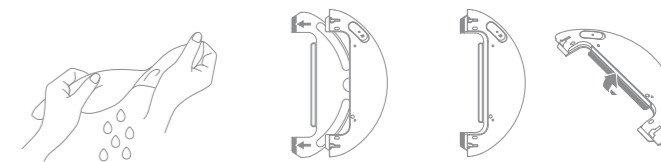
### Reinicio del robot

Si el robot deja de responder o no se puede apagar, mantenga presionado el botón  durante 10 segundos para apagarlo a la fuerza. Luego presione y mantenga pulsado el botón  durante 3 segundos para encender el robot.

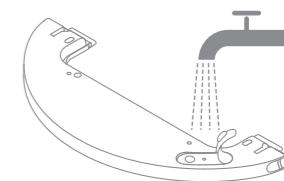
### Utilice la función de trapeado

Se recomienda aspirar todos los pisos al menos tres veces antes de la primera sesión de trapeado para lograr un mejor efecto de limpieza.

1. Humedezca la almohadilla de trapeado y exprima el exceso de agua. Instale la almohadilla de trapeado como se muestra en el diagrama.




2. Llene el tanque con agua.

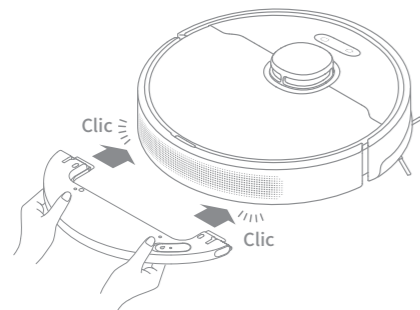


#### Nota:

- No utilice detergente ni desinfectante.
- No llene el tanque de agua con agua caliente, ya que podría deformarse.

## Como utilizar

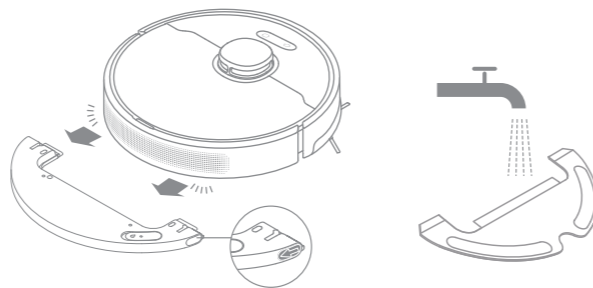
3. Alinee el módulo de trapeado como lo indica la flecha, luego deslícelo hacia la parte posterior del robot hasta que encaje en su lugar. Presione el botón  o use la app Dreamehome para iniciar la limpieza.



### Nota:

- No se recomienda utilizar la función de trapeado en alfombras.
- Utilice la app para ajustar el flujo de agua según sea necesario.

4. Cuando el robot termine una tarea de limpieza y vuelva a la base de carga, retire el módulo de trapeado y lave la almohadilla de trapeado a tiempo. Para retirar el tanque de agua, deslice los dos clips de liberación en el costado para sacarlo.



**Nota:** Cuando el robot se esté cargando o no esté en uso, retire el módulo de trapeado, vierta toda el agua restante en el tanque de agua y limpie la almohadilla de trapeado para evitar la aparición de moho u olores.

## Mantenimiento de rutina

### Piezas

Para mantener el robot en buenas condiciones, se recomienda consultar el uso de accesorios en la app o la siguiente tabla para el mantenimiento de rutina.

| Pieza   | Frecuencia de mantenimiento | Periodo de reemplazo |
|---|-----------------------------|----------------------|
| Almohadilla de trapeado   | Después de cada uso         | Cada 3 a 6 meses     |
| Cepillo principal   | Una vez cada 2 semanas      | Cada 6 a 12 meses    |
| Cepillo lateral   |                             | Cada 3 a 6 meses     |
| Filtro de la caja de polvo  |                             |                      |
| Área de señalización de la base de carga                          | Una vez al mes              | /                    |
| Contactos de carga de la base de carga                            |                             |                      |
| Rejillas de ventilación de vaciado automático de la base de carga |                             |                      |
| Sensor de distancia láser (LDS)                                   |                             |                      |
| Contactos de carga del robot                                      |                             |                      |

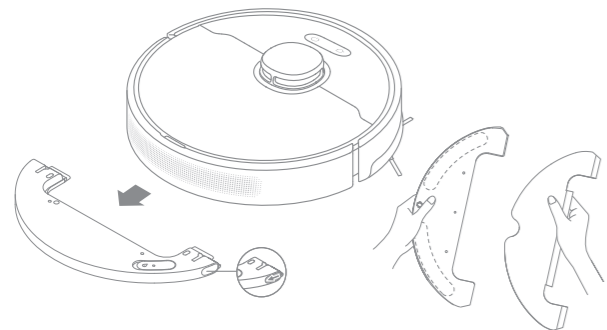
| Pieza   | Frecuencia de mantenimiento   | Periodo de reemplazo |
|---|-------------------------------|----------------------|
| Rejillas de ventilación de vaciado automático del robot | Una vez al mes                | /                    |
| Parachoques   |                               |                      |
| Rueda omnidireccional                                   |                               |                      |
| Sensor de retorno a la base                             |                               |                      |
| Sensores de caída                                       |                               |                      |
| Parte inferior del robot                                |                               |                      |
| Caja de polvo   | Limpiarlo según sea necesario | /                    |
| Tanque de agua  |                               |                      |
| Bolsa de polvo  | /                             | Cada 2 a 4 meses     |

**Nota:** La frecuencia de reemplazo dependerá del uso que usted haga del robot. Si ocurre una excepción debido a circunstancias especiales, se deben reemplazar las piezas.

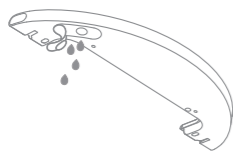
## Mantenimiento de rutina

### Módulo de trapeado

1. Deslice los dos clips de liberación en el lado del tanque de agua, retire el módulo de trapeado y hale la almohadilla de trapeado del módulo de trapeado.

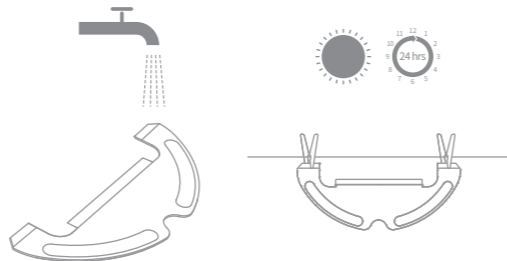


2. Vierta el agua en el tanque. Limpie el tanque solo con agua y déjelo secar al aire antes de volver a instalarlo.



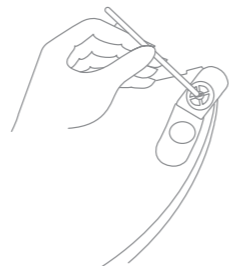
Nota: No exponga directamente el tanque de agua a la luz solar.

3. Limpie la almohadilla de trapeado solo con agua y déjela secar al aire antes de volver a instalarla.



**Nota:** Retire la almohadilla de trapeado del módulo de trapeado antes de limpiarlo y asegúrese de que el agua sucia no regrese a la salida de agua para evitar obstrucciones.

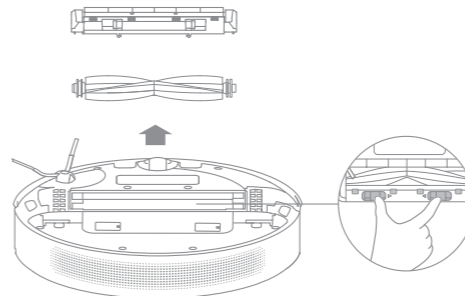
4. Si se produce un flujo de agua lento o el volumen de agua no está bien distribuido, limpie el orificio de aire en la cubierta del tanque de agua.



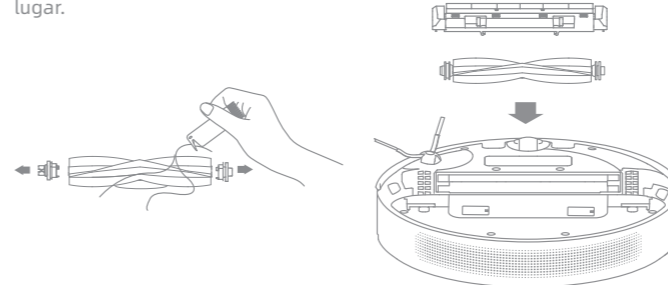
## Mantenimiento de rutina

### Cepillo principal

1. Presione los clips del protector del cepillo hacia adentro para retirar el protector del cepillo y levante el cepillo para sacarlo del robot.

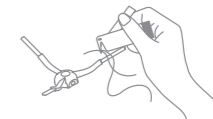


2. Extraiga las cubiertas del cepillo en ambos extremos del cepillo como se muestra en el diagrama. Use la herramienta de limpieza incluida para retirar los cabellos enredado en el cepillo. Vuelva a instalar las cubiertas del cepillo en ambos extremos del cepillo y, a continuación, vuelva a instalar el cepillo. Presione el protector del cepillo para bloquearlo en su lugar.

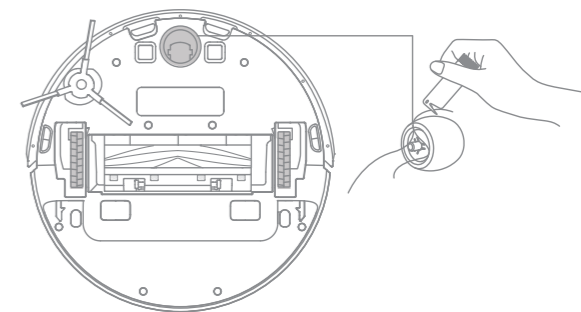


### Cepillo lateral

Retire y limpie el cepillo lateral



### Rueda omnidireccional



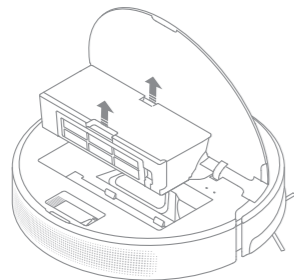
**Nota:**

- Use una herramienta como un destornillador pequeño para separar el eje y el neumático de la rueda omnidireccional. No use fuerza excesiva.
- Enjuague la rueda omnidireccional bajo el agua corriente y vuelva a colocarla después de secarla por completo.

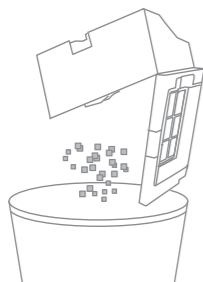
## Mantenimiento de rutina

### Caja de polvo

1. Abra la cubierta del robot y presione el clip para retirar la caja de polvo.

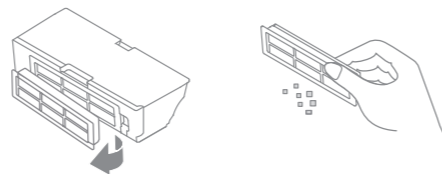


2. Abra la cubierta de la caja de polvo y vacíela como se muestra en el diagrama.



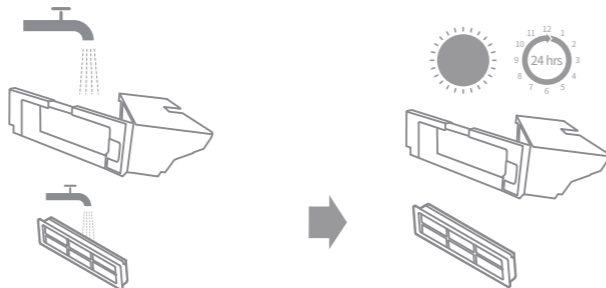
### Filtro

1. Retire el filtro y golpee suavemente su canasta.



**Nota:** No intente limpiar el filtro con un cepillo, dedo o cualquier objeto con punta a fin de evitar dañarlo.

2. Enjuague la caja de polvo y el filtro con agua limpia y séquelos completamente antes de volver a instalarlos.



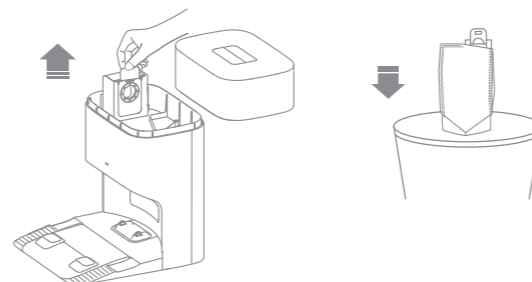
**Nota:**

- Enjuague la caja de polvo y el filtro solo con agua limpia. No utilice ningún detergente.
- Use la caja de polvo y el filtro solo cuando estén completamente secos.

## Mantenimiento de rutina

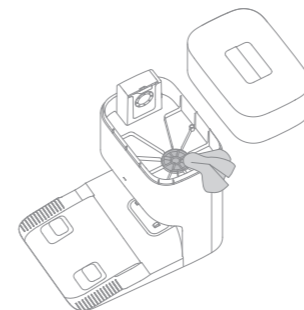
### Bolsa de polvo

1. Retire y deseche la bolsa de polvo.

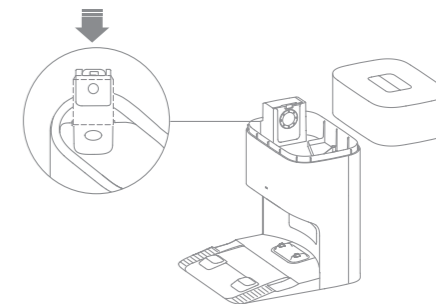


**Nota:** Tirar hacia afuera del mango sellará la bolsa de polvo para evitar que el polvo y los residuos se salgan accidentalmente.

2. Retire el polvo y los residuos del filtro con un paño seco.



3. Instale una nueva bolsa de polvo.



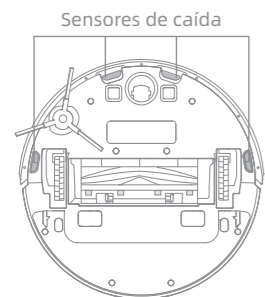
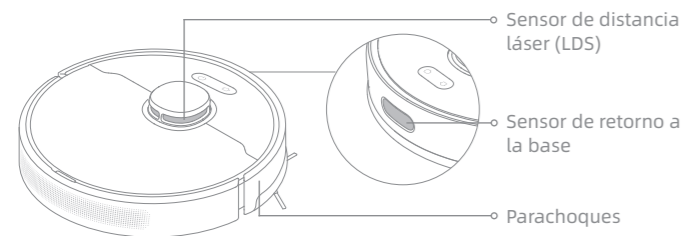
4. Vuelva a colocar la cubierta del tanque de polvo.



## Mantenimiento de rutina

### Sensores del robot

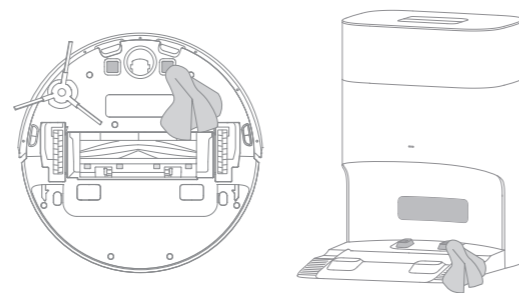
Limpie los sensores del robot utilizando un paño suave y seco, como se muestra en la siguiente figura:



**Nota:** Un paño húmedo puede dañar elementos sensibles dentro del robot y la base de carga. Utilice un paño seco para la limpieza.

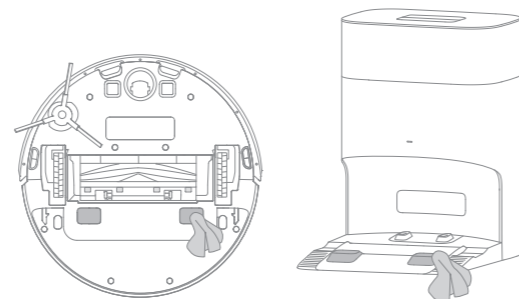
### Contactos de carga y área de señalización

Limpie los contactos de carga y el área de señalización con un paño suave y seco.



### Rejillas de ventilación de vaciado automático

Limpie las rejillas de ventilación de vaciado automático del robot y la base de carga con un paño suave y seco.

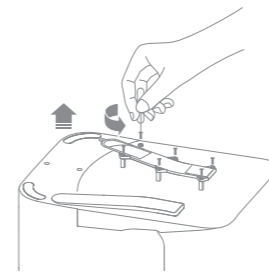


## Mantenimiento de rutina

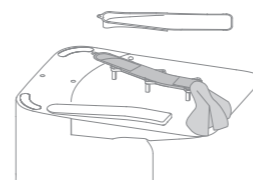
### Conducto de aire

Si el conducto de aire está obstruido, límpielo siguiendo estos pasos.

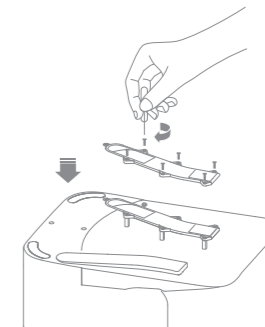
1. Desatornille los tornillos de montaje de la cubierta del conducto de aire y retire la cubierta.



2. Compruebe si el conducto de aire está obstruido por objetos extraños. Si los hay, límpielos.



3. Vuelva a instalar la cubierta del conducto de aire.





### Batería

El robot contiene un paquete de baterías de iones de litio de alto rendimiento. Asegúrese de que la batería permanezca bien cargada para el uso diario para mantener un rendimiento óptimo de la batería. Si el robot no se utiliza durante un largo período de tiempo, apáguelo y guárdelo. Para evitar daños por la descarga profunda, cargue el robot al menos una vez cada tres meses.

## Solución de problemas

| Problema   | Solución  |
|--|---|
| El robot no enciende.  | La batería está baja. Recargue el robot en la base de carga y vuelva a intentarlo.<br>La temperatura de la batería es demasiado baja o demasiado alta. Se recomienda operar el aparato a una temperatura entre 32°F (0°C) y 104°F (40°C).   |
| El robot no carga.   | La base de carga no está conectada a la alimentación; asegúrese de que ambos extremos del cable de alimentación estén correctamente enchufados.<br>El contacto entre los contactos de carga de la base de carga y el robot es deficiente; limpie los contactos de carga.  |
| El robot no logra conectarse a Wi-Fi.  | La contraseña de la red Wi-Fi es incorrecta. Asegúrese de que la contraseña utilizada para conectarse a su red Wi-Fi sea correcta.<br>El robot no admite una conexión Wi-Fi de 5 GHz. Asegúrese que el robot esté conectado a una conexión Wi-Fi de 2,4 GHz.<br>La señal Wi-Fi es débil. Asegúrese que el robot esté en una zona con buena cobertura Wi-Fi.<br>Es posible que el robot no esté listo para ser configurado. Salga y vuelva a ingresar a la app y luego vuelva a intentarlo según las instrucciones.  |
| El robot no puede encontrar la base de carga ni regresar a ella.                 | La base de carga se desconecta de la alimentación o se mueve cuando el robot no está sobre ella. Por favor conecte la base de carga a la alimentación eléctrica o coloque el robot sobre la base de carga para cargar,<br>Hay demasiadas obstrucciones alrededor de la base de carga. Coloque la base de carga en un área más abierta.<br>Mover el robot puede provocar que él mismo se repositone y recrear un mapa si falla el reposicionado. Si el robot está muy lejos de la base de carga, podría no ser capaz de regresar por sí mismo; en tal caso se requerirá ponerlo manualmente sobre la base de carga.<br>Limpie el área de señalización de la base de carga para eliminar el polvo o los residuos. |
| El robot se queda atascado delante de la base de carga y no puede volver a ella. | Despeje cualquier obstrucción dentro de 19,7" (0,5 m) en los lados izquierdo y derecho o dentro de 60" (1,5 m) frente a la base de carga para evitar que el robot se bloquee.<br>La ruta para volver a cargar está bloqueada, por ejemplo, la puerta está cerrada.<br>Se recomienda mover la base de carga a un lugar diferente y volver a intentarlo.  |

## Solución de problemas

| Problema   | Solución   |
|--|--|
| El robot no se apaga.                                      | El robot no se puede apagar mientras se está cargando. Se recomienda mover el robot desde la base de carga y luego presionar y mantener pulsado el botón  durante 3 segundos para apagarlo.<br>Si el robot no se puede apagar realizando el paso 1, presione y mantenga pulsado el botón  durante 10 segundos para apagar el robot a la fuerza. Si el problema se mantiene, contacte al servicio post-venta. |
| La velocidad de carga es lenta.                            | Se necesitan aproximadamente 6 horas para cargar completamente el robot cuando la batería está baja.<br>Si opera el robot a temperaturas fuera del rango especificado, la velocidad de carga se reducirá automáticamente para extender la vida útil de la batería.<br>Los contactos de carga tanto del robot como de la base de carga pueden estar sucios; límpielos con un paño seco.   |
| El ruido aumenta mientras el robot está en funcionamiento. | Compruebe si el filtro de la caja de polvo está obstruido. Si es así, límpielo o reemplácelo.<br>Un objeto duro puede quedar atrapado en el cepillo principal o en la caja de polvo. Compruebe y retire cualquier objeto duro.<br>El cepillo principal o el cepillo lateral pueden quedar enredados. Revise y retire cualquier objeto extraño.<br>Cambie el modo de succión a estándar o silencioso.   |
| El robot se mueve sin seguir la ruta marcada.              | Se deben organizar objetos como cables de alimentación y zapatillas antes de utilizar el robot.<br>Trabajar sobre superficies húmedas resbalosas podría ocasionar que la rueda principal se deslice. Se recomienda secar cualquier superficie húmeda antes de usar el robot.   |
| El robot pasa por alto las habitaciones que debe limpiar.  | Asegúrese de que las puertas de las habitaciones a limpiar estén abiertas.<br>Compruebe si hay un umbral superior a 0,8" (2 cm) en la puerta de la habitación. El robot no puede subir por encima de umbrales o escalones altos.<br>El lugar en frente del cuarto a ser limpiado puede estar húmedo y resbaloso, ocasionando que el robot se deslice y trabaje de forma anormal. Por favor trate de secar el piso antes de usar el robot.  |

| Problema  | Solución   |
|---|--|
| El robot no reanuda la limpieza después de cargarlo.                          | Asegúrese de que el robot no esté configurado en el modo No Molestar (DND), lo que evitará que reanude la limpieza.<br>El robot no reanudará la limpieza después de que usted lo retorne manualmente a la base de carga para cargar, lo que incluye colocar manualmente el robot sobre la base de carga o enviar el robot a cargar mediante la app o el robot mismo. |
| La base de carga no puede vaciar automáticamente la caja de polvo.            | Compruebe si la bolsa de polvo en el tanque de polvo está llena.<br>Si la bolsa de polvo no está llena, compruebe si hay alguna obstrucción en las rejillas de ventilación de vaciado automático del robot, la base de carga o la caja de polvo. Si la hay, limpie la parte bloqueada a tiempo.  |
| No sale agua del tanque de agua o solo sale un poco.                          | Compruebe si hay agua dentro del tanque de agua.<br>Limpie el orificio de ventilación del tapón del tanque de agua.<br>Limpie la almohadilla de trapeado si se ensucia.<br>Asegúrese de que la almohadilla de trapeado esté instalada correctamente de acuerdo con el manual del usuario.  |
| El robot vuelve a la base de carga sin realizar tareas de vaciado automático. | El modo DND impide que el robot realice tareas de vaciado automático.  |

Para servicios adicionales, contáctenos a través de [support.u.s@dreame.tech](mailto:support.u.s@dreame.tech)  
Tel: +1 (866) 977-5177

## Especificaciones

### Robot

|                           |                  |
|---------------------------|------------------|
| Modelo                    | RLD32GD          |
| Tiempo de carga           | Aprox. 6 horas   |
| Voltaje nominal           | 14,4 V $\approx$ |
| Potencia nominal          | 75 W             |
| Frecuencia de operación   | 2400-2483,5 MHz  |
| Potencia de salida máxima | < 20 dBm         |

En condiciones de uso normales, este equipo debe mantenerse a una distancia de separación de al menos 8" (20 cm) entre la antena y el cuerpo del usuario.

### Base de carga con vaciado automático

|                 |                    |
|-----------------|--------------------|
| Modelo          | RCDD0202           |
| Entrada nominal | 120 V ~ 60Hz 4.4A  |
| Salida nominal  | 20 V $\approx$ 1 A |