

Instruction for xArm 1S

xArm 1S Assembly Instruction

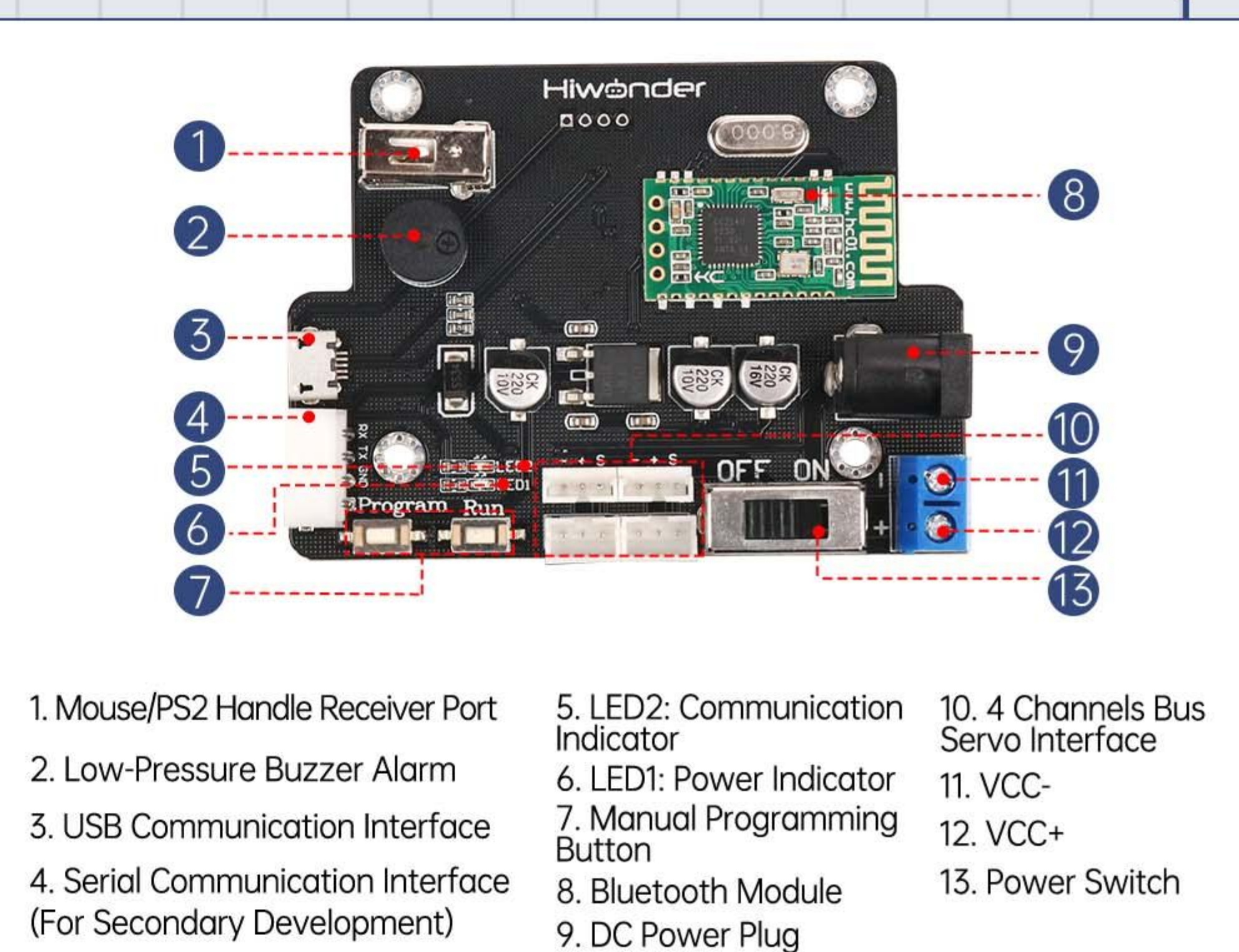
This Assembly Instruction is designed to help you quickly understand the product structure and precautions. In order to ensure the stable operation of the body, please recognize the screws, nuts, and other accessories models during the installation process. For the assembly step video or more details, please scan the QR code at the right to get it.



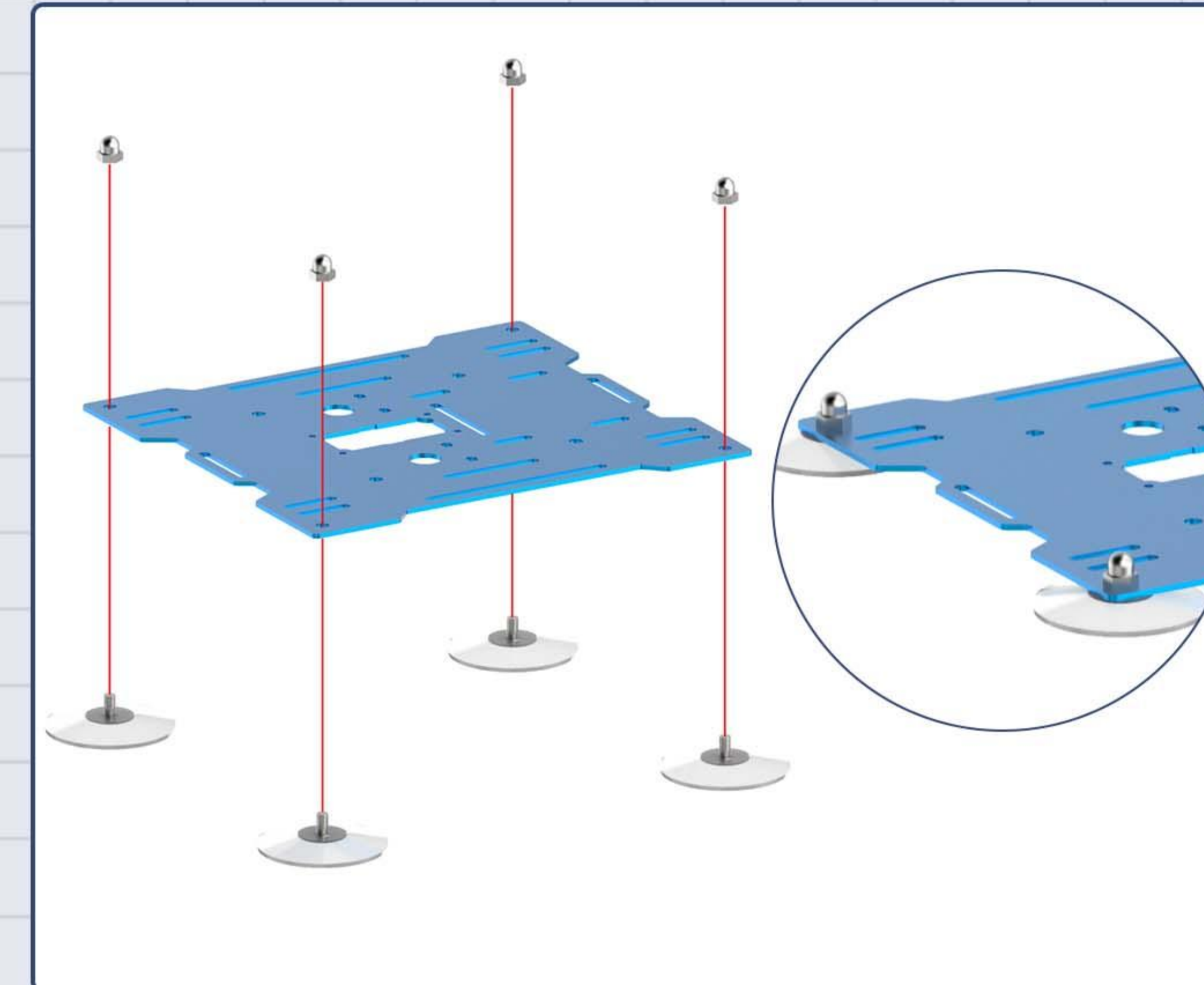
Screw List

M4*32mm Brass Standoff (4pcs)		M2.5*36mm Machine Screw (6pcs)	
M2.5*26mm Machine Screw (6pcs)			
Plastic Rivet (8pcs)	Cable Fastener (4pcs)	M4*20mm Machine Screw (6pcs)	M4*16mm Machine Screw (6pcs)
ST2.6*5mm Self-tapping Screw with A Washer (3pcs)	M2*6mm Machine Screw (22pcs)	M3*6mm Machine Screw (26pcs)	M4*8mm Machine Screw (6pcs)
M3*8mm Nylon Standoff (5pcs)	M4 Screw Nut (6pcs)	M2.5 Screw Nut (10pcs)	M2 Screw Nut (6pcs)
	ST2.2*6mm Self-Tapping Screw (10pcs)	ST2.2*5mm Self-Tapping Screw (6pcs)	

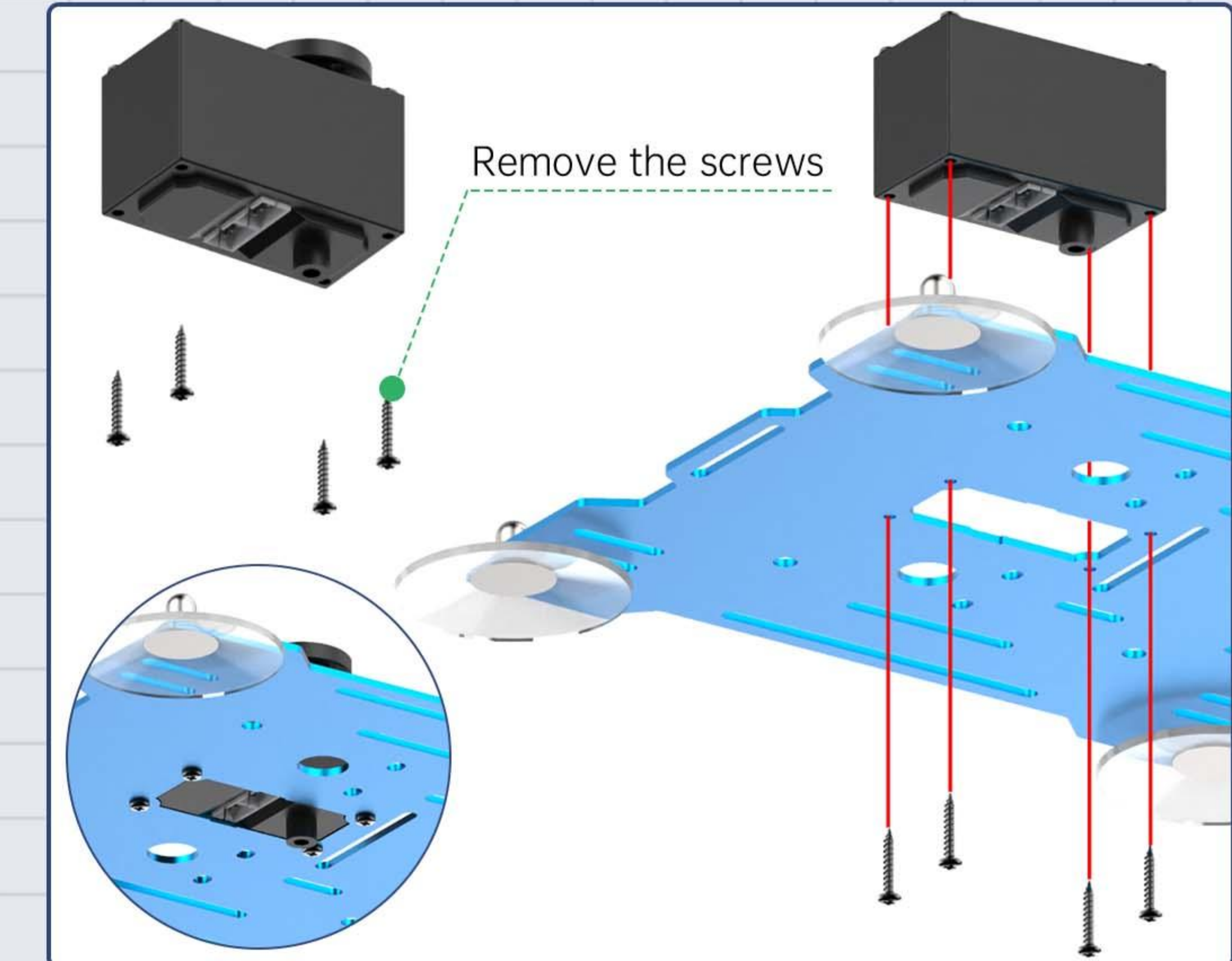
Instruction for Bus Servo Controller Interface



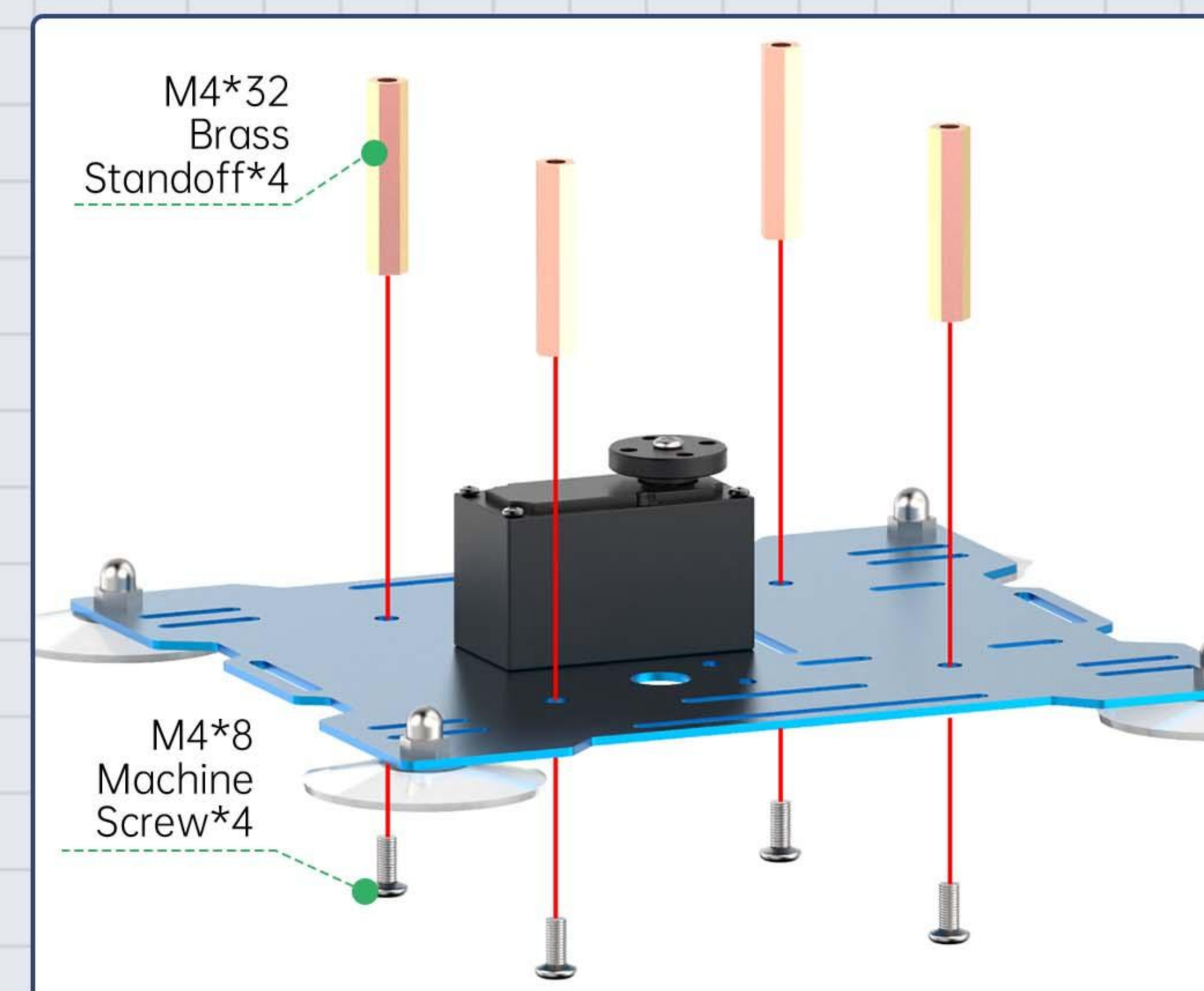
Step1



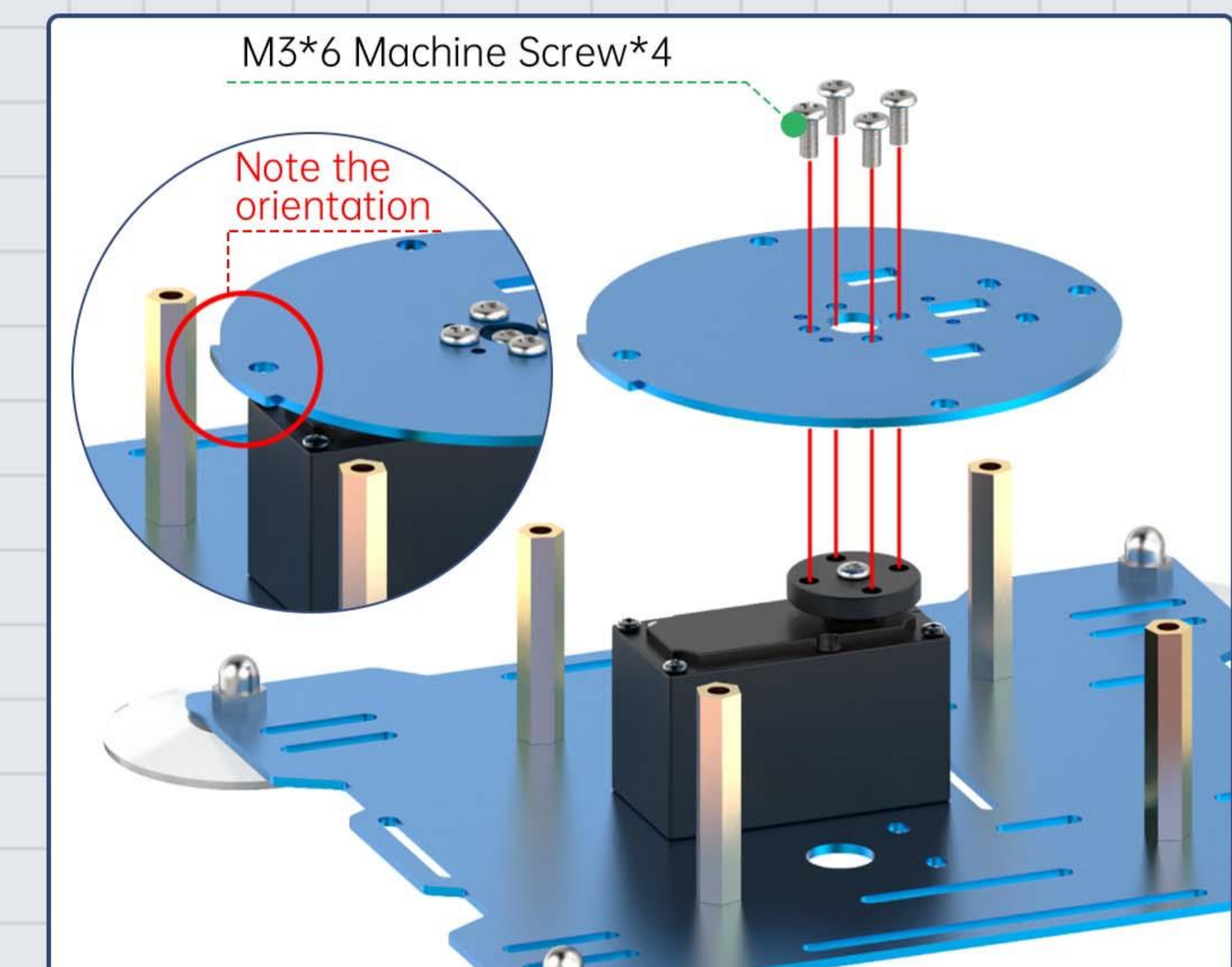
Step2



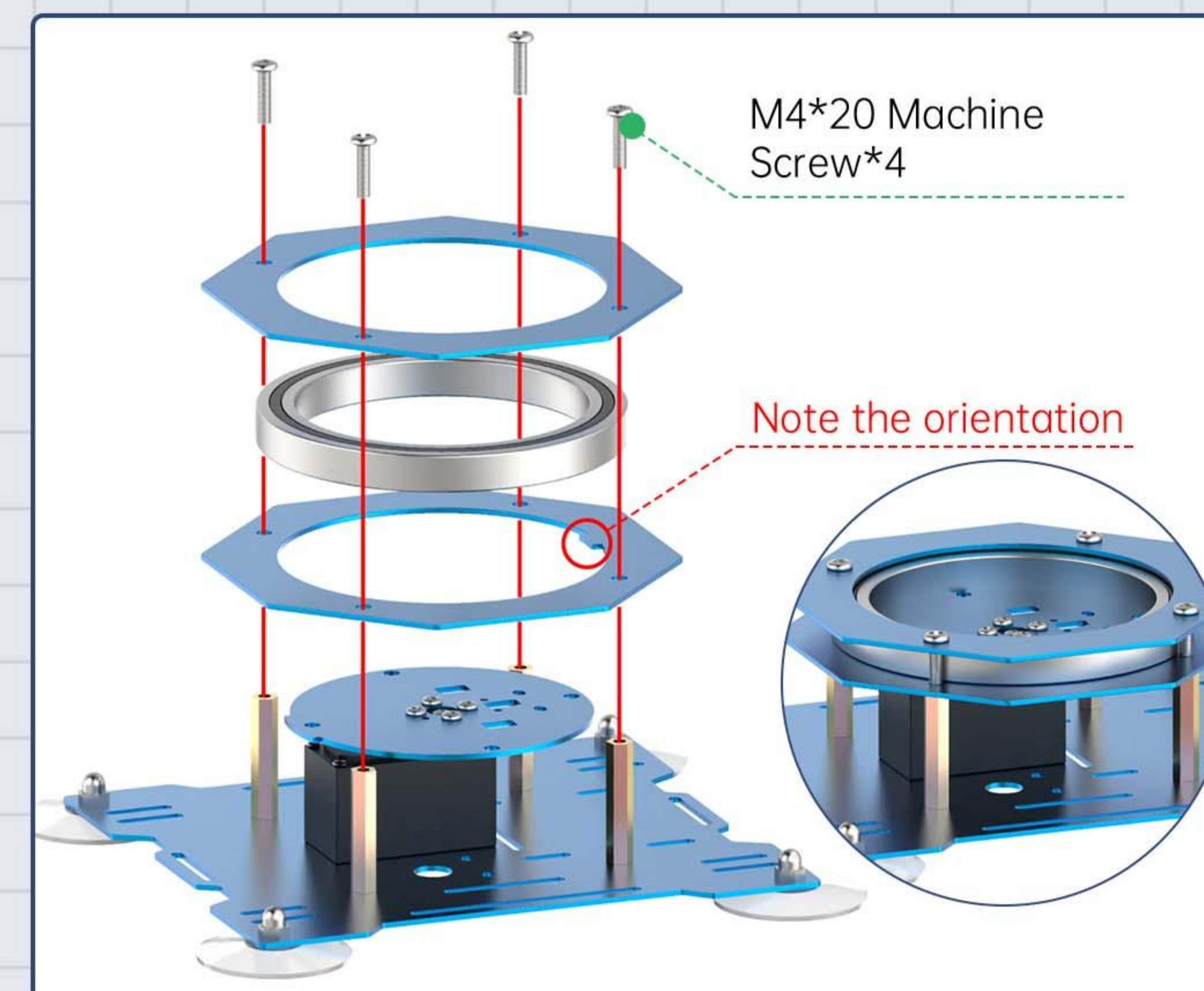
Step3



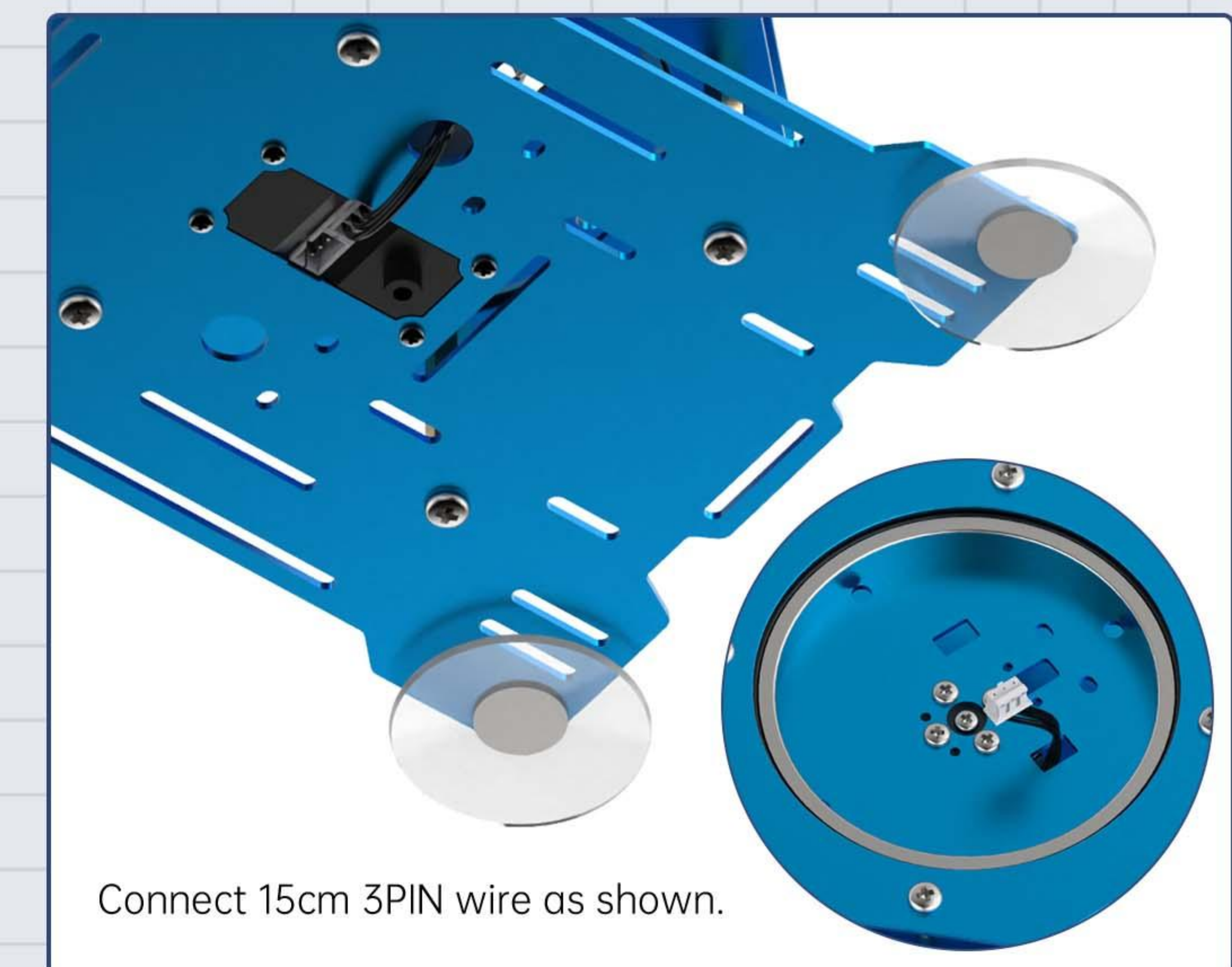
Step4



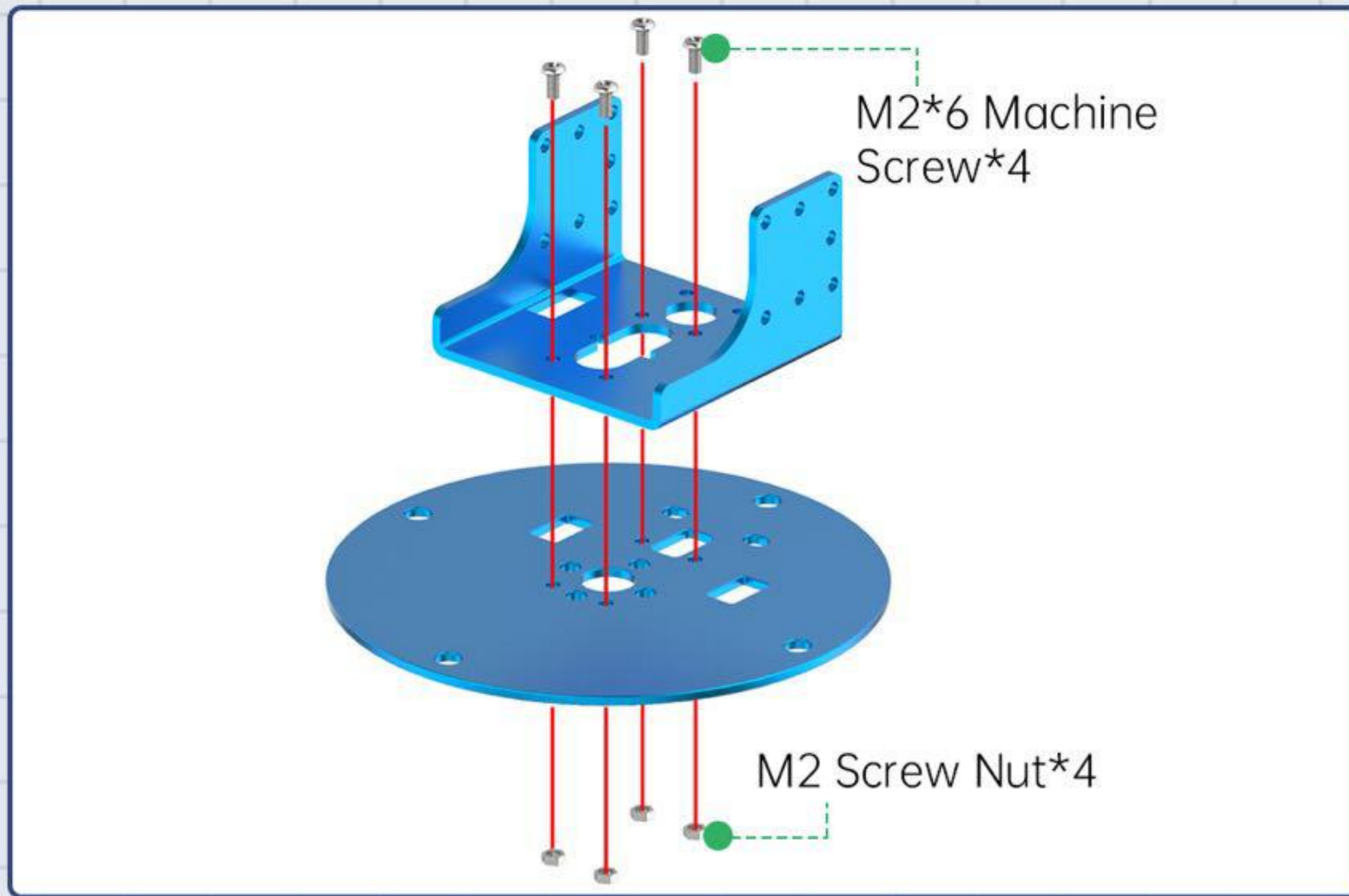
Step5



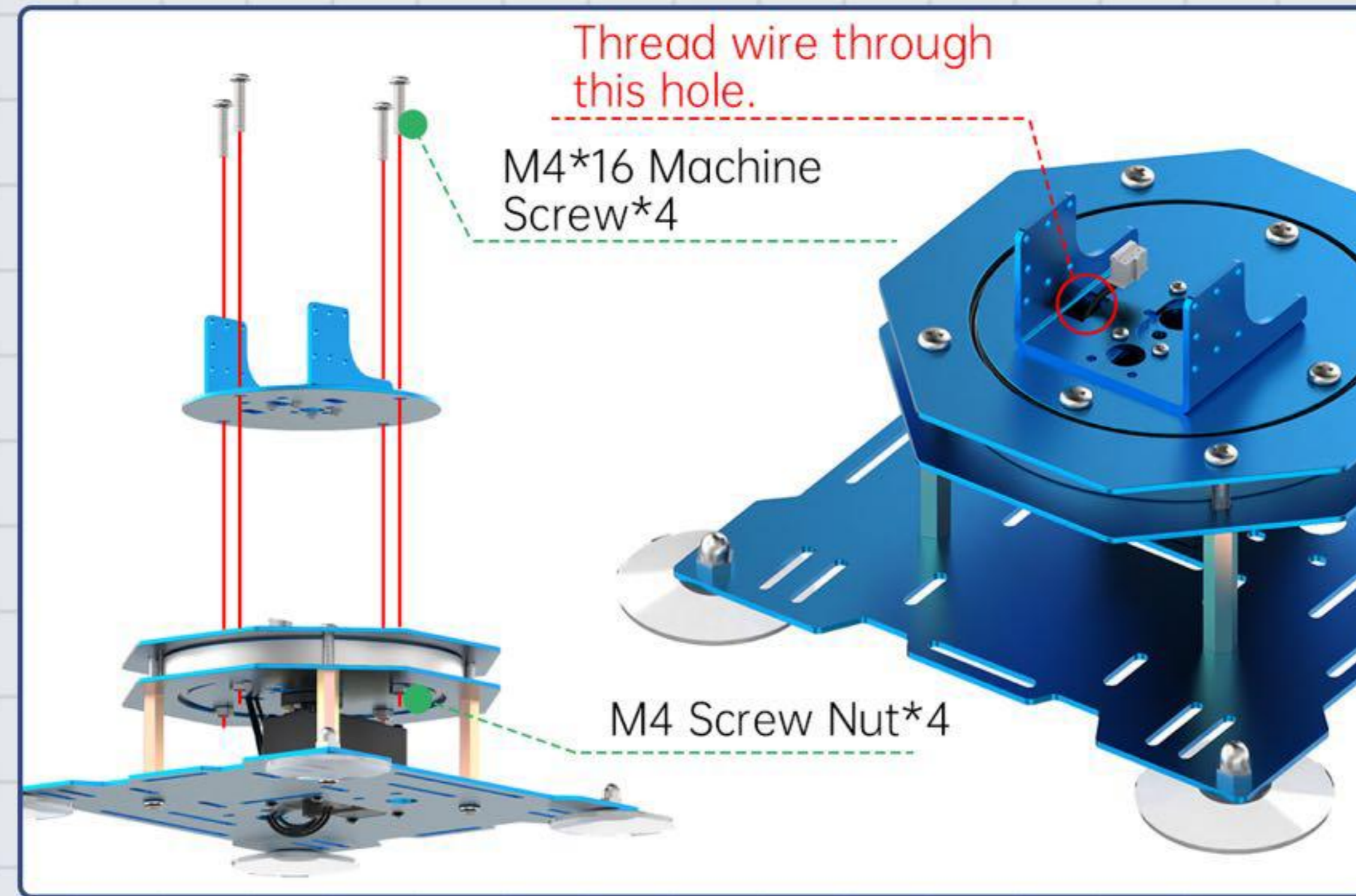
Step6



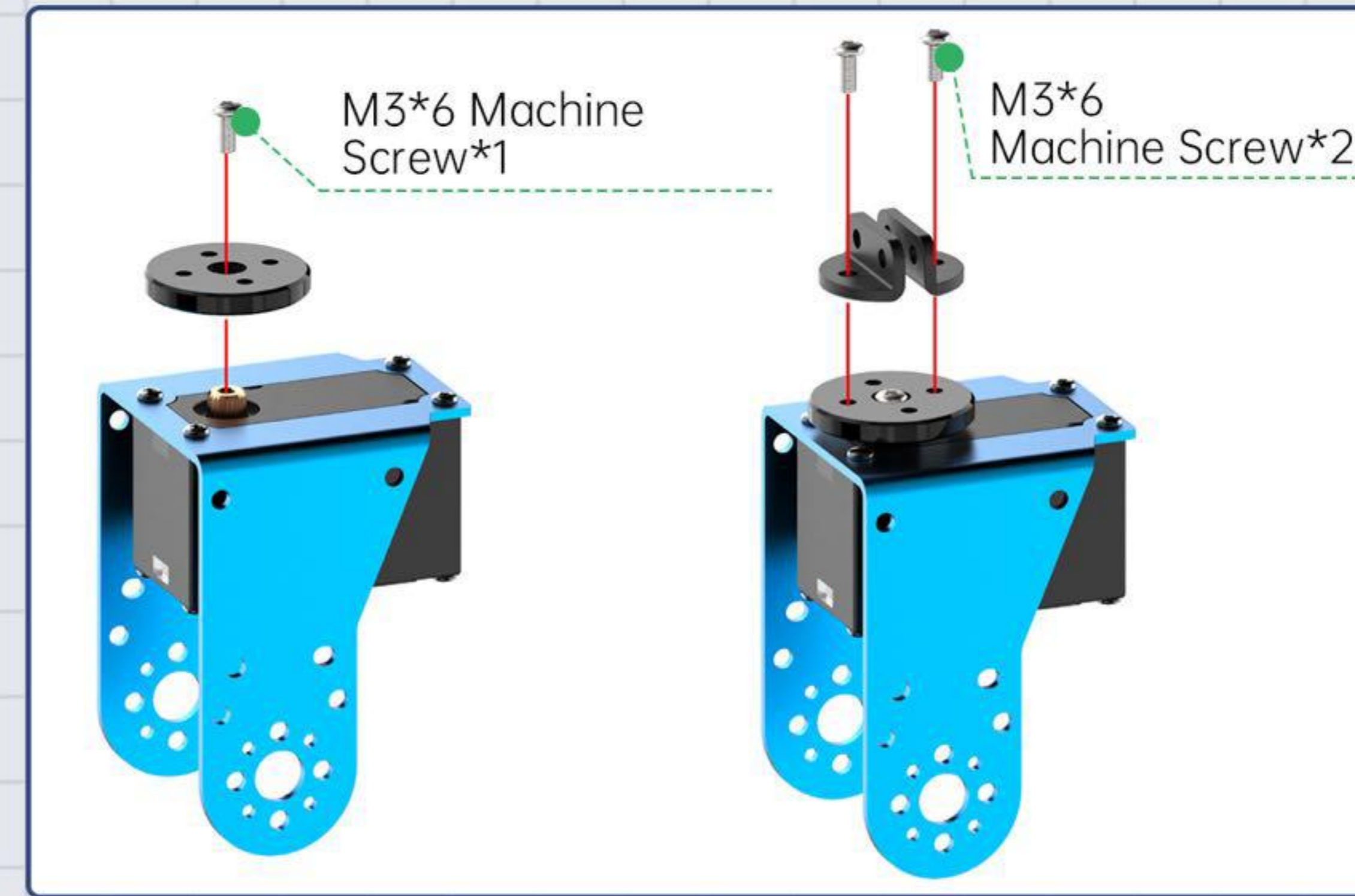
Step7



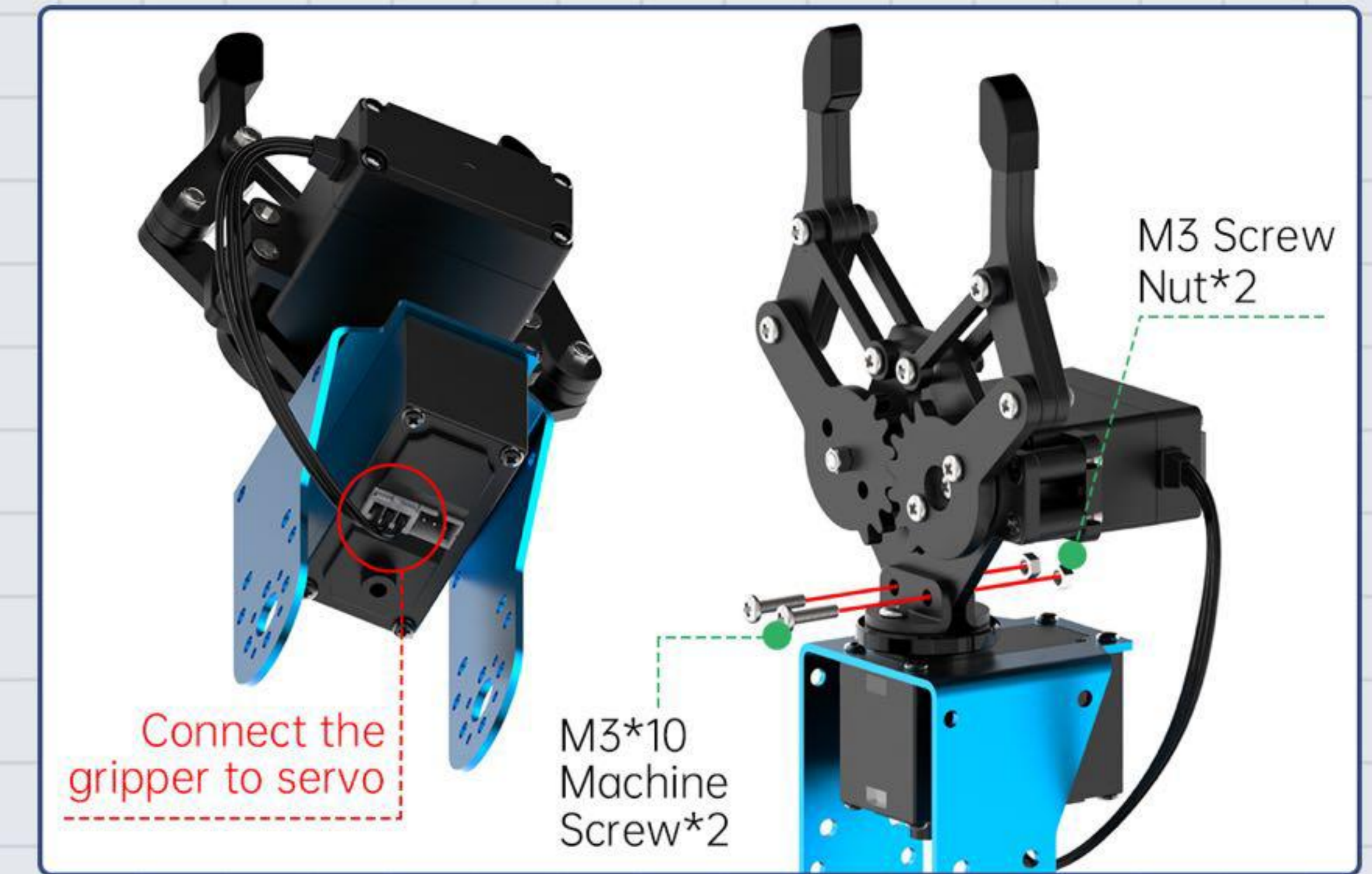
Step8



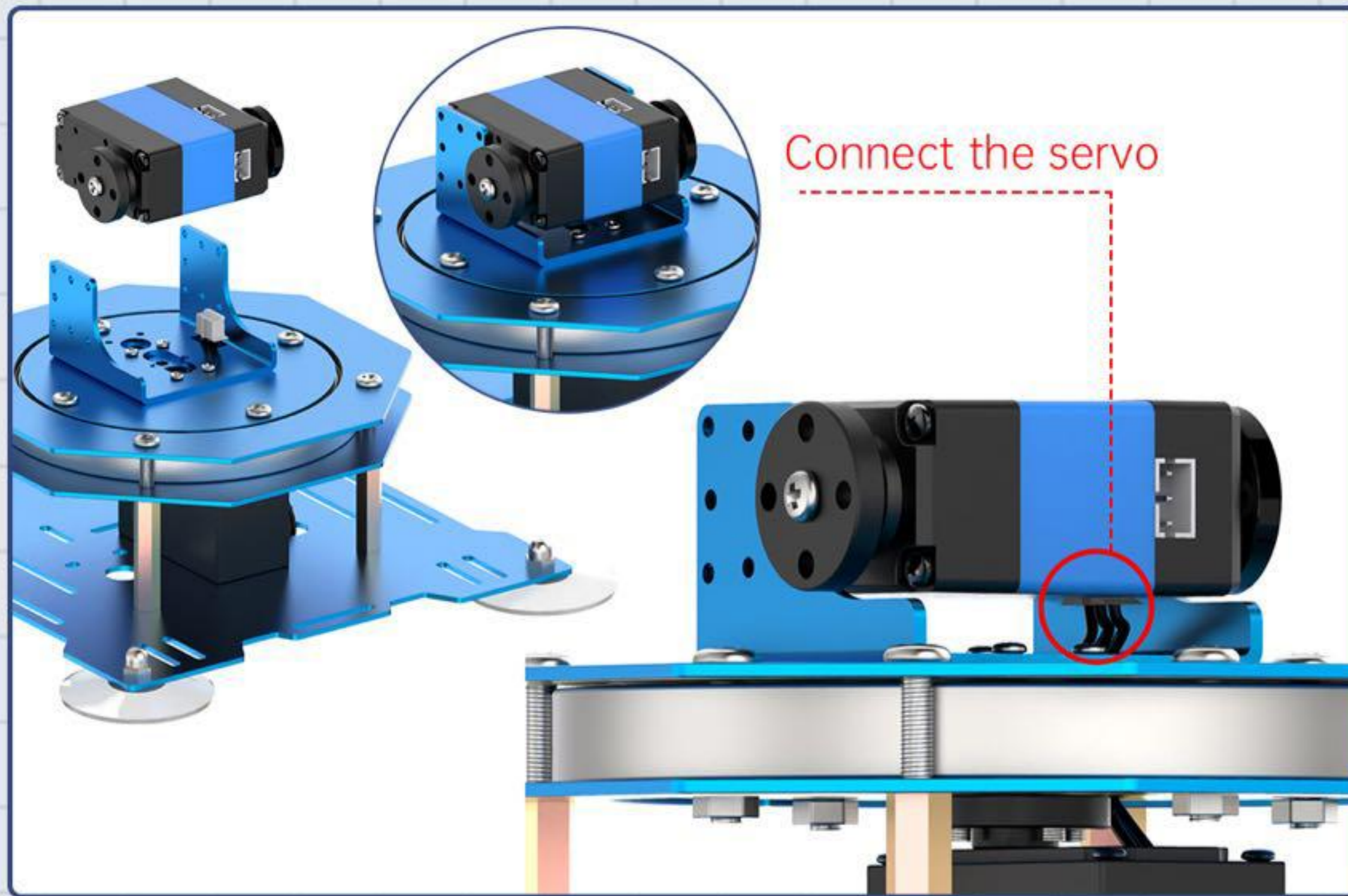
Step15



Step16



Step9



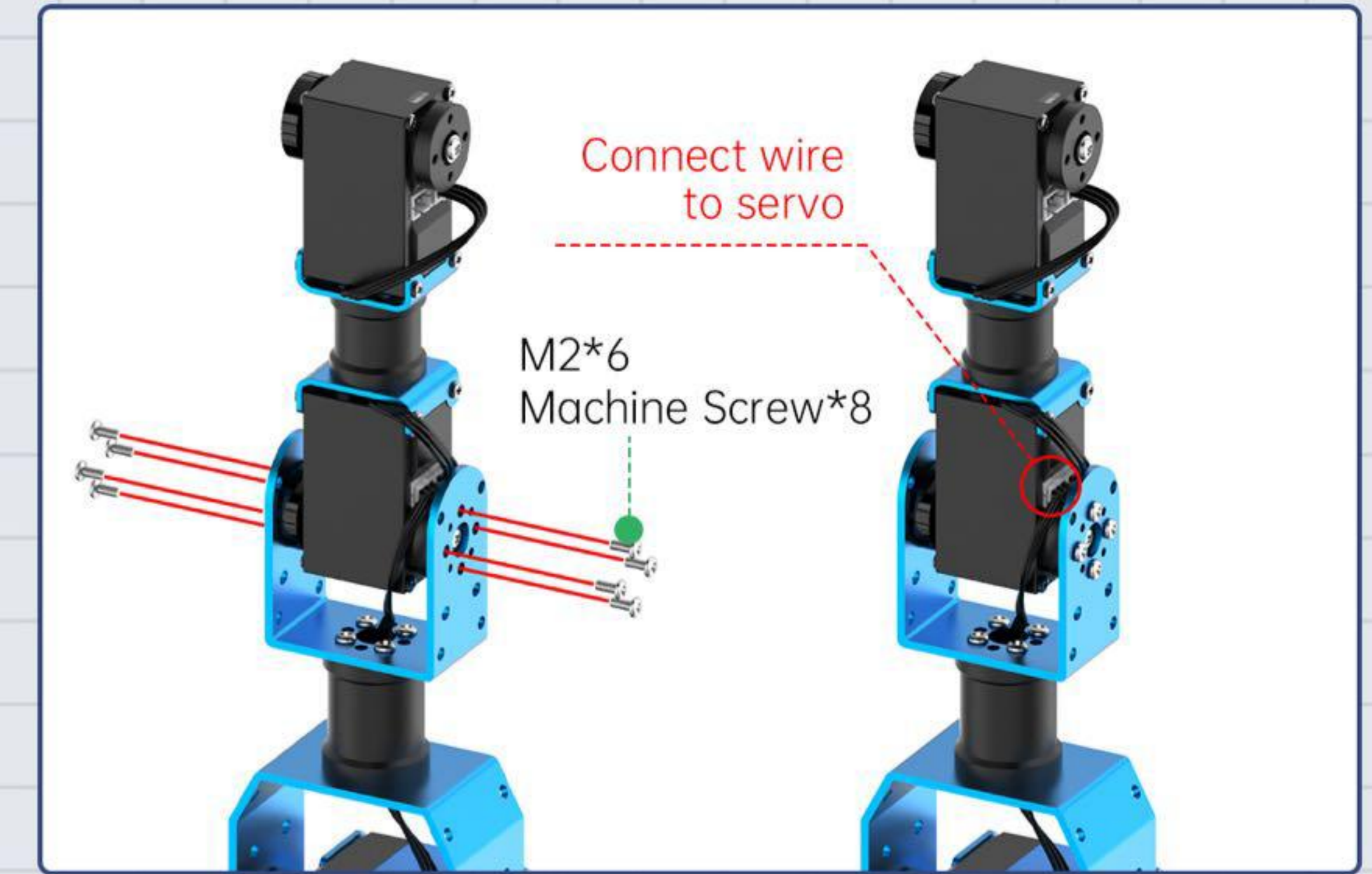
Step10



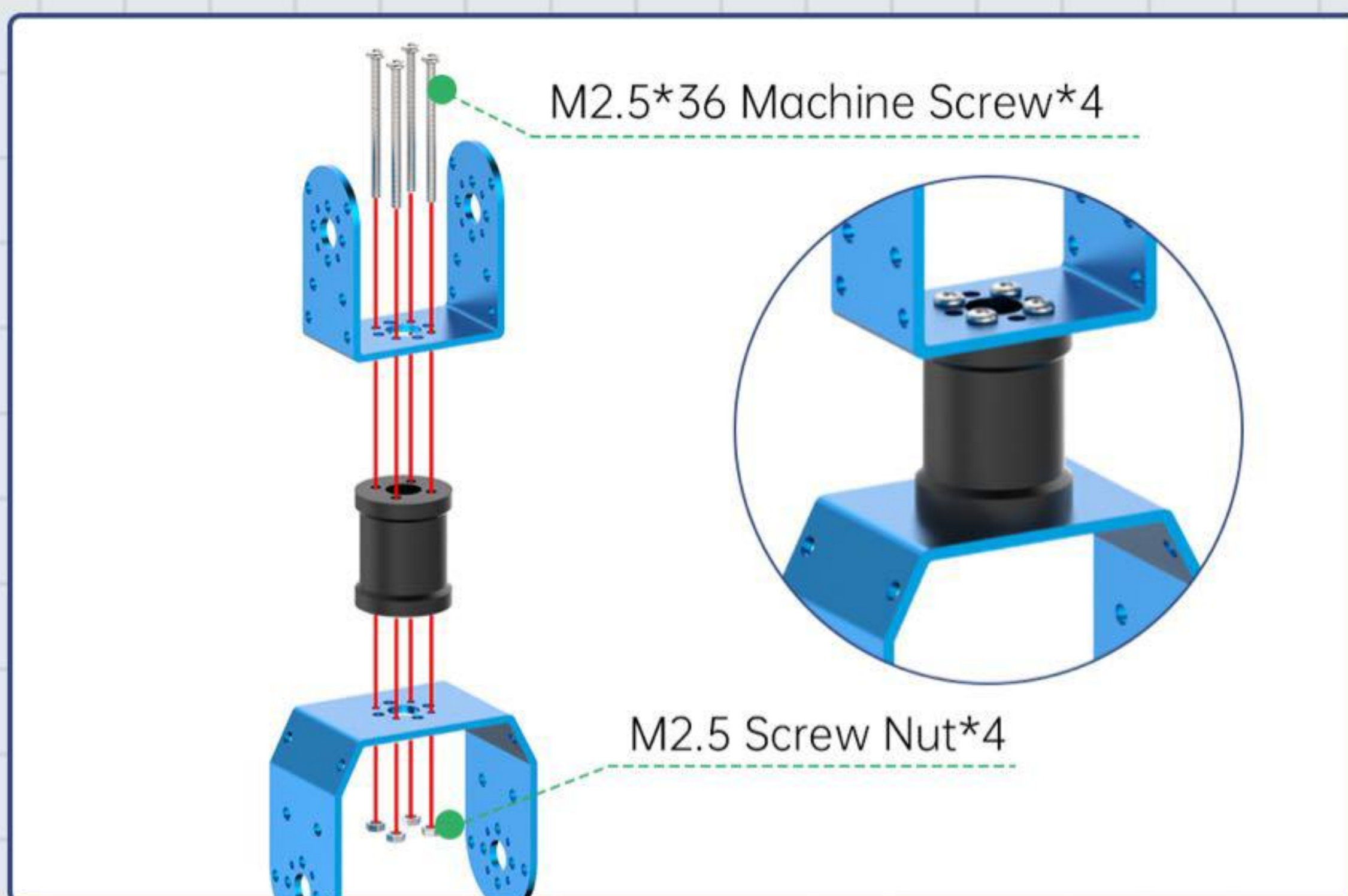
Step17



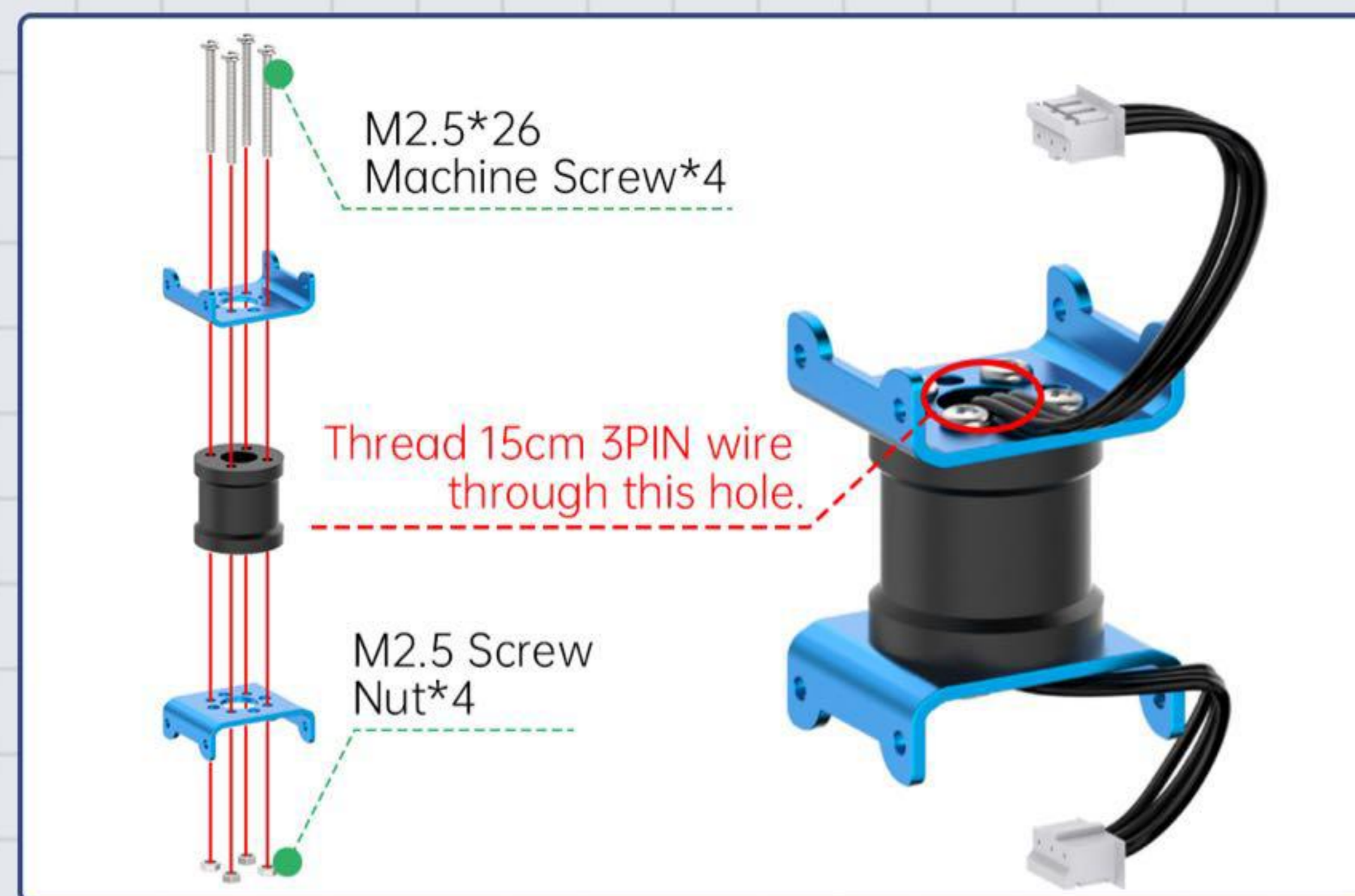
Step18



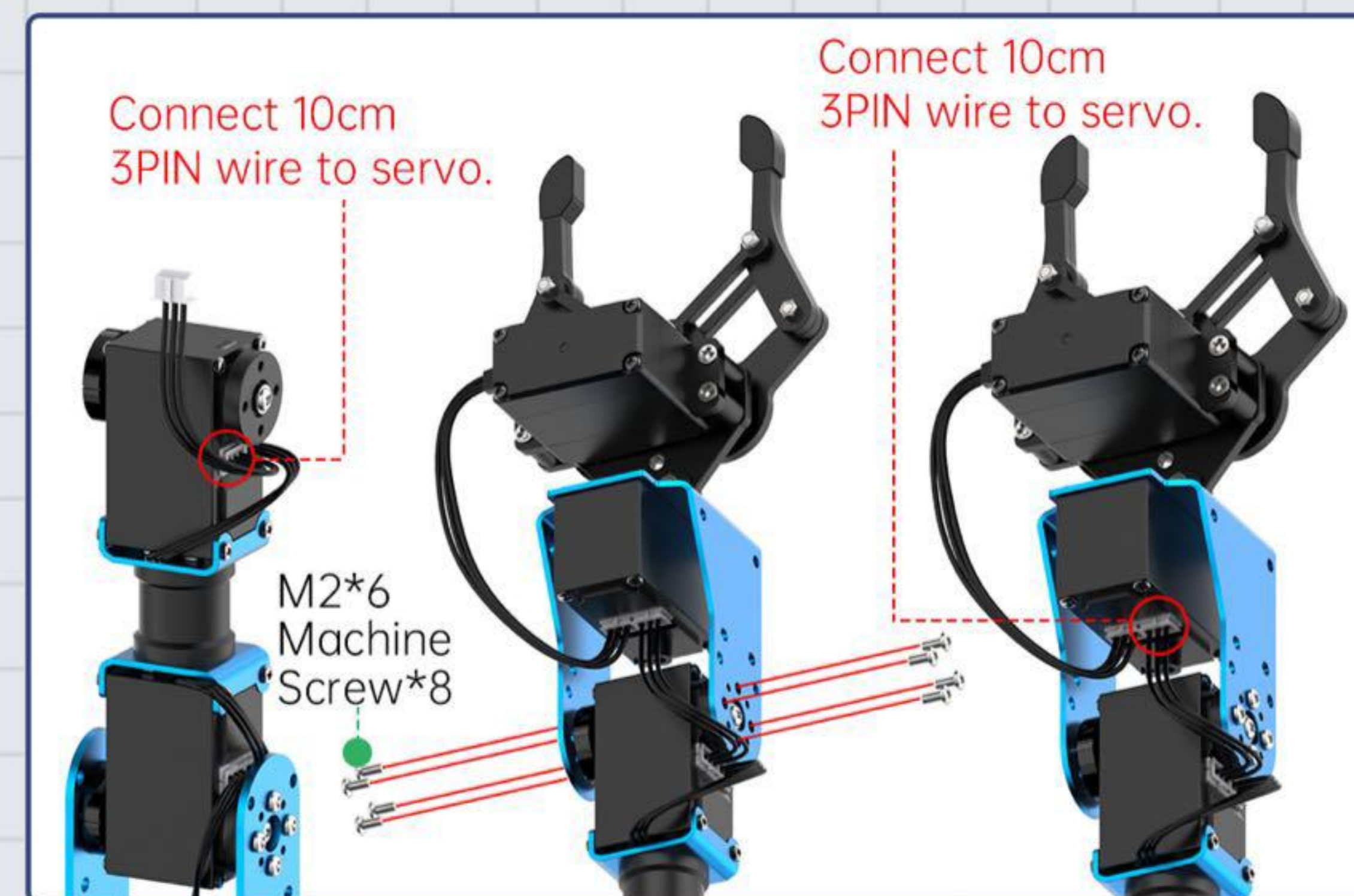
Step11



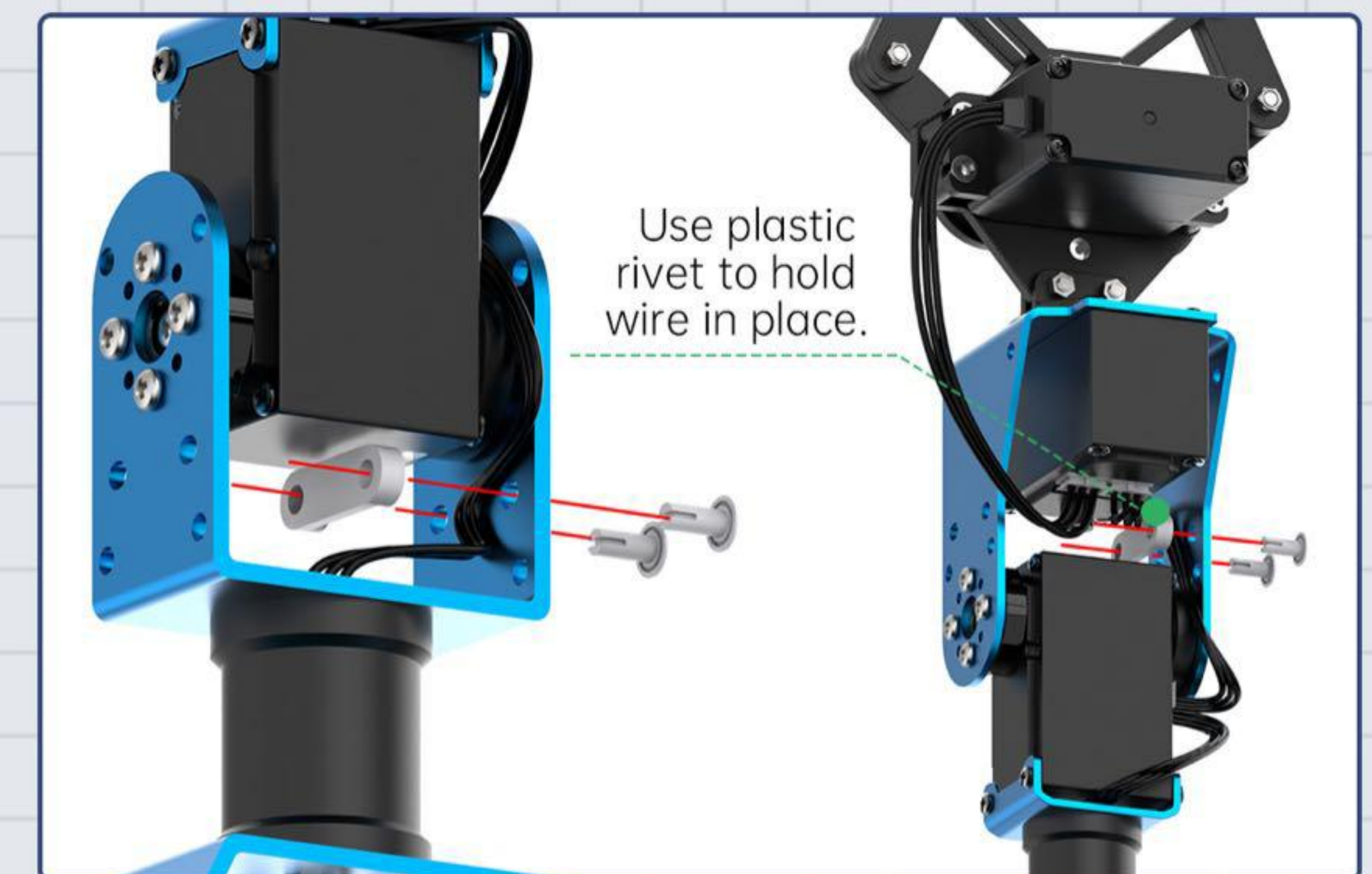
Step12



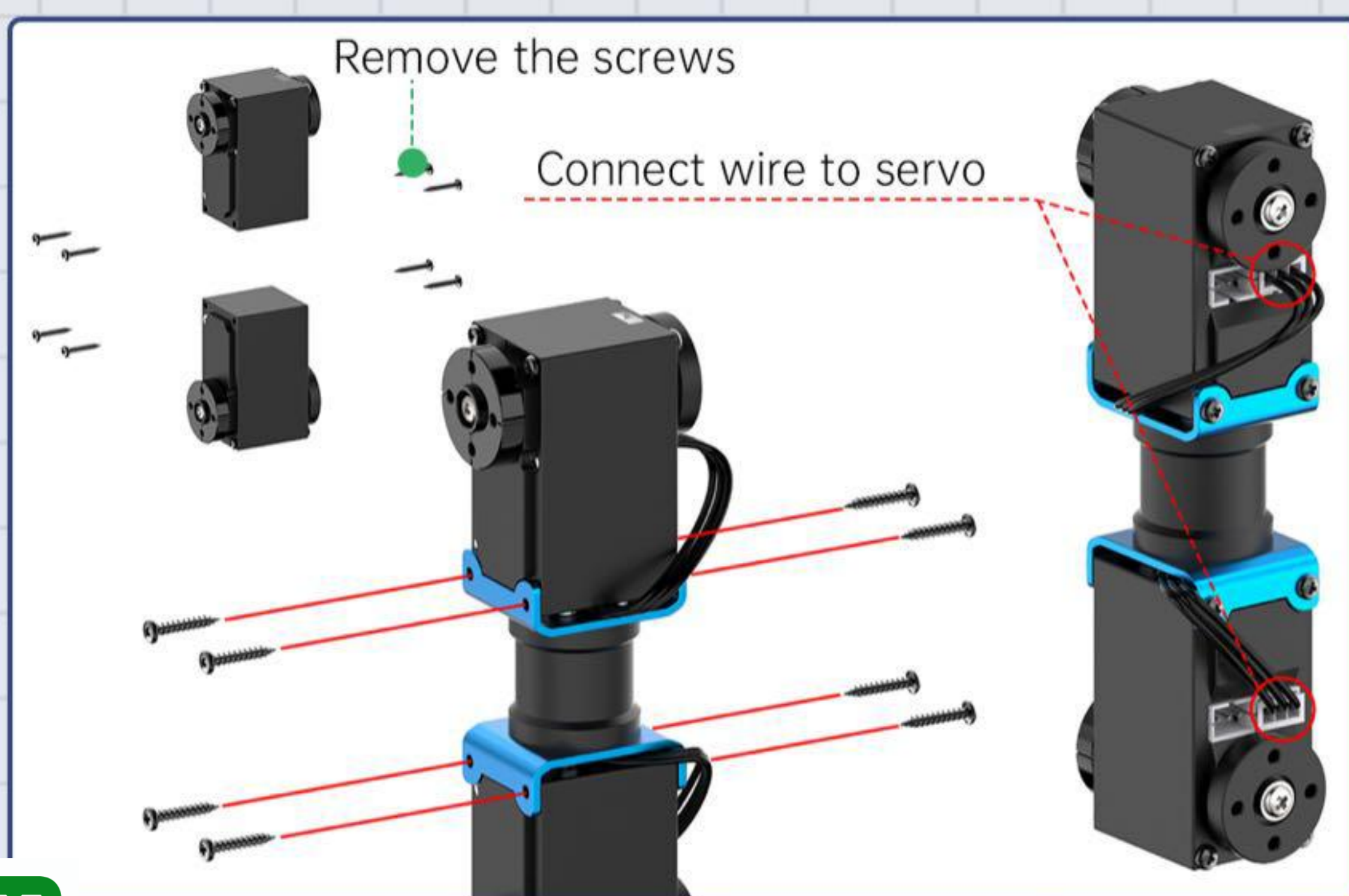
Step19



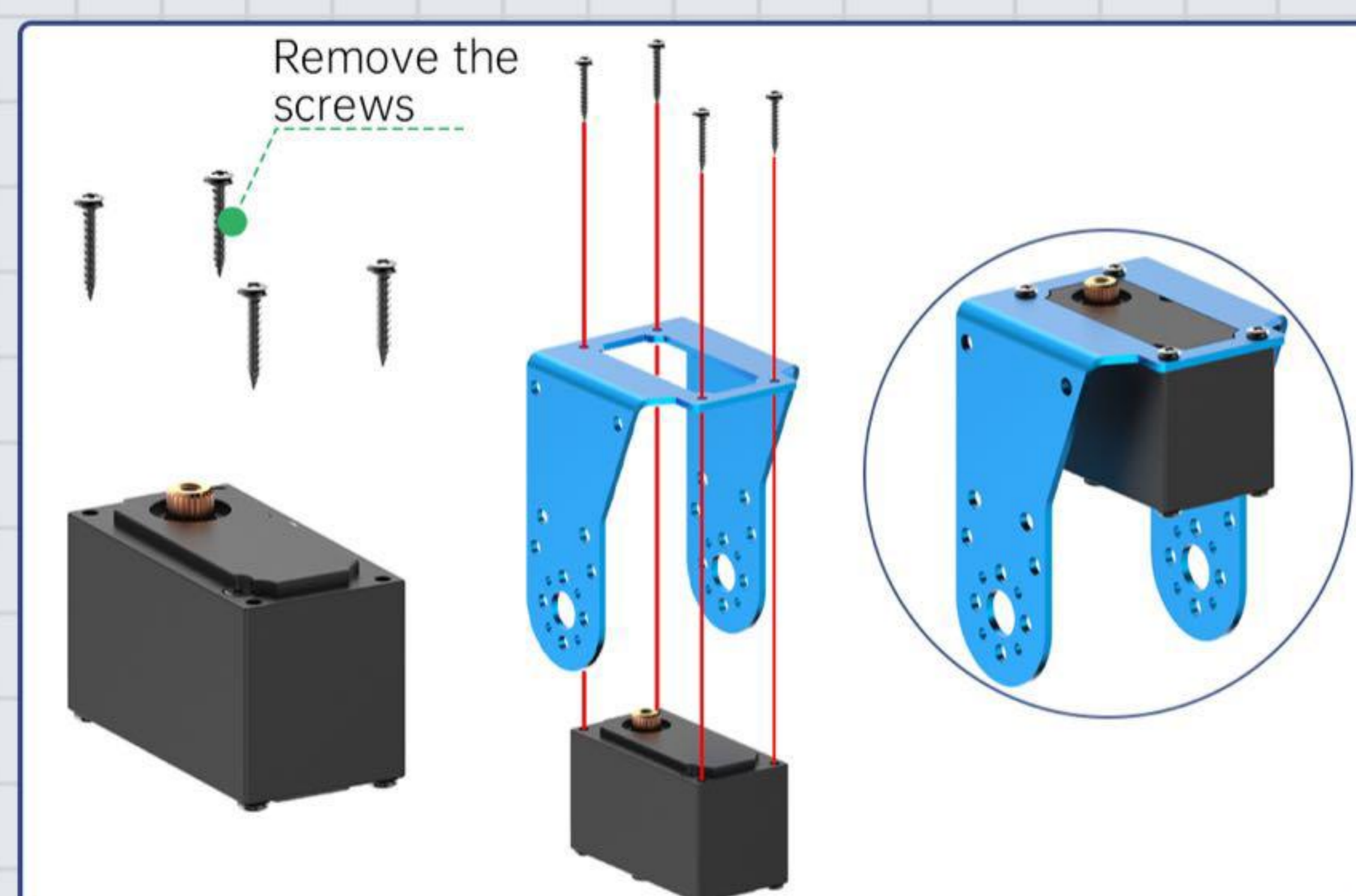
Step20



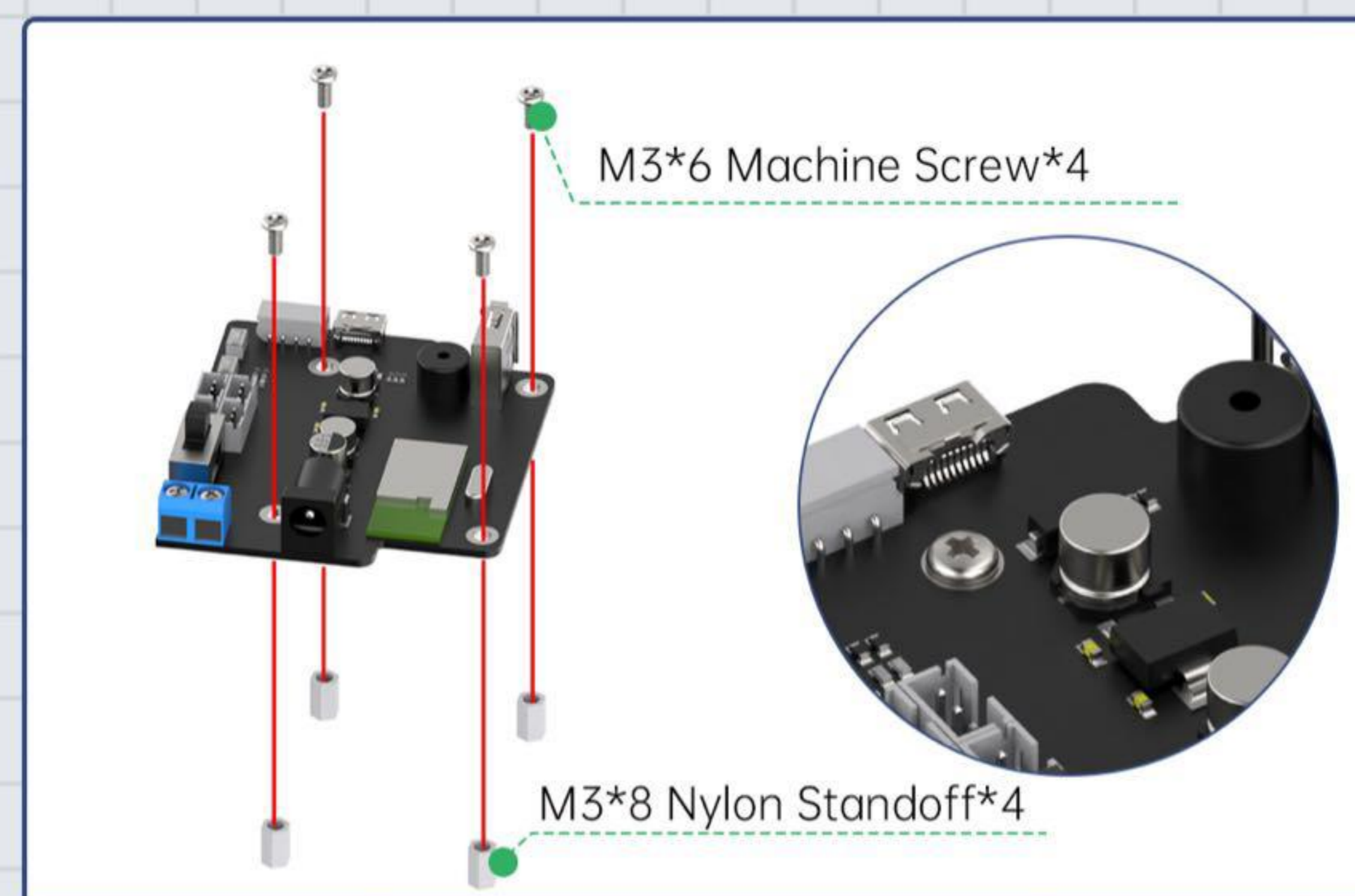
Step13



Step14



Step21



Step22

