

WORKPRO

W009157A
W009158A

ORIGINAL OPERATING INSTRUCTIONS CORDLESS SCREWDRIVER

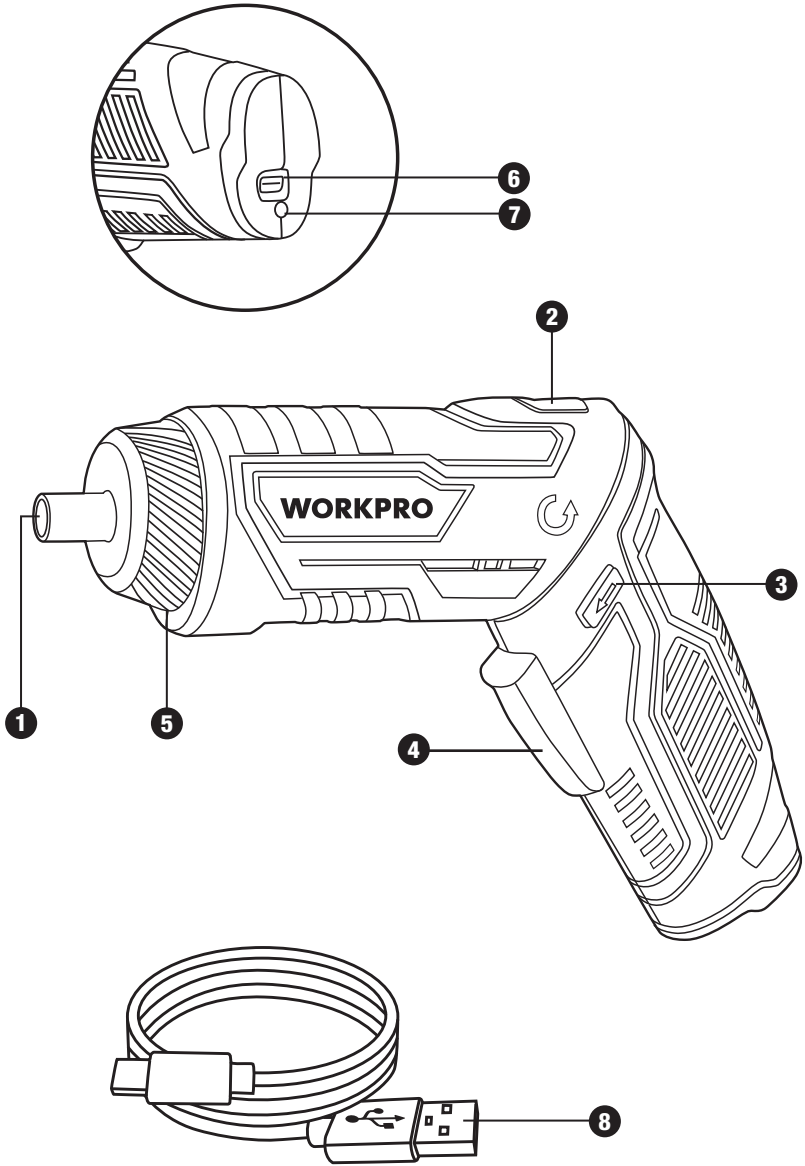


Model#: GS-CS02



Distributed by:
Hangzhou GreatStar Industrial Co., Ltd.
No.35 Jiujuan Road, Jiubao Town,
Hangzhou 310019, China
www.greatstartools.com
Made in China

Fig. 1



SYMBOLS

	To reduce the risk of injury, user must read instruction manual
	Wear ear protection
	Wear eye protection
	Wear dust mask
	Do not expose to rain
	Wear protective gloves
	Wear protective footwear
	Do not burn



Batteries may enter water cycle if disposed improperly, which can be hazardous for ecosystem. Do not dispose of waste batteries as unsorted municipal waste.

Danger!

When using the equipment, a few safety precautions must be observed to avoid injuries and damage. Please read the complete operating instructions and safety regulations with due care. Keep this manual in a safe place, so that the information is available at all times. If you give the equipment to any other person, hand over these operating instructions and safety regulations as well. We cannot accept any liability for damage or accidents which arise due to a failure to follow these instructions and the safety instructions.

1. GENERAL POWER TOOL SAFETY

WARNING

WARNING!

Read and understand all instructions. Failure to follow the warnings and instructions may result in electric shock, fire and/or serious injury.

Save all warnings and instructions for future reference.

The term "power tool" in the warnings refers to your mains-operated (corded) power tool or battery-operated (cordless) power tool.

1) Work area safety

- **Keep work area clean and well lit.** Cluttered or dark areas invite accidents.
- **Do not operate power tools in explosive atmospheres, such as in the presence of flammable liquids, gases or dust.** Power tools create sparks which may ignite the dust or fumes.
- **Keep children and bystanders away while operating a power tool.** Distractions can cause you to lose control.

2) Electrical safety

- **Power tool plugs must match the outlet. Never modify the plug in any way.** Do not use any adapter plugs with earthed (grounded) power tools. Unmodified plugs and matching outlets will reduce risk of electric shock.
- **Avoid body contact with earthed or grounded surfaces, such as pipes, radiators, ranges and refrigerators.** There is an increased risk of electric shock if your body is earthed or grounded.
- **Do not expose power tools to rain or wet conditions.** Water entering a power tool will increase the risk of electric shock.
- **Do not abuse the cord. Never use the cord for carrying, pulling or unplugging the power tool.** Keep cord away from heat, oil, sharp edges or moving parts. Damaged or entangled cords increase the risk of electric shock.
- **When operating a power tool outdoors, use an extension cord suitable for outdoor use.** Use of a cord suitable for outdoor use reduces the risk of electric shock.
- **If operating a power tool in a damp location is unavoidable, use a residual current device (RCD) protected supply.** Use of an RCD reduces the risk of electric shock.

3) Personal safety

- **Stay alert, watch what you are doing and use common sense when operating a power tool.** Do not use a power tool while you are tired or under the influence of drugs, alcohol or medication. A moment of inattention while operating power tools may result in serious personal injury.
- **Use personal protective equipment. Always wear eye protection.** Protective equipment such as a dust mask, non-skid safety shoes, hard hat or hearing protection used for appropriate conditions will reduce personal injuries.
- **Prevent unintentional starting. Ensure the switch is in the off-position before connecting to power source and/or battery pack, picking up or carrying the tool.** Carrying power tools with your finger on the switch or energising power tools that have the switch on invites accidents.
- **Remove any adjusting key or wrench before turning the power tool on.** A wrench or a key left attached to a rotating part of the power tool may result in personal injury.
- **Do not overreach.** Keep proper footing and balance at all times. This enables better control of the power tool in unexpected situations.
- **Dress properly.** Do not wear loose clothing or jewellery. Keep your hair and clothing away from moving parts. Loose clothes, jewellery or long hair can be caught in moving parts.
- **If devices are provided for the connection of dust extraction and collection facilities, ensure these are connected and properly used.** Use of dust collection can reduce dust-related hazards.
- **Do not let familiarity gained from frequent use of tools allow you to become complacent and ignore tool safety principles.** A careless action can cause severe injury within a fraction of a second.

4) Power tool use and care

- **Do not force the power tool.** Use the correct power tool for your application. The correct power tool will do the job better and safer at the rate for which it was designed.
- **Do not use the power tool if the switch does not turn it on and off.** Any power tool that cannot be controlled with the switch is dangerous and must be repaired.
- **Disconnect the plug from the power source and/or remove the battery pack, if detachable, from the power tool before making any adjustments, changing accessories, or storing power tools.** Such preventive safety measures reduce the risk of starting the power tool accidentally.
- **Store idle power tools out of the reach of children and do not allow persons unfamiliar with the power tool or these instructions to operate the power tool.** Power tools are dangerous in the hands of untrained users.
- **Maintain power tools and accessories. Check for misalignment or binding of moving parts, breakage of parts and any other condition that may affect the power tool's operation.** If damaged, have the power tool repaired before use. Many accidents are caused by poorly maintained power tools.
- **Keep cutting tools sharp and clean.** Properly maintained

cutting tools with sharp cutting edges are less likely to bind and are easier to control.

- **Use the power tool, accessories and tool bits etc.** in accordance with these instructions, taking into account the working conditions and the work to be performed. Use of the power tool for operations different from those intended could result in a hazardous situation.
- **Keep handles and grasping surfaces dry, clean and free from oil and grease.** Slippery handles and grasping surfaces do not allow for safe handling and control of the tool in unexpected situations.

5) Service

Have your power tool serviced by a qualified repair person using only identical replacement parts. This will ensure that the safety of the power tool is maintained.

6) Battery tool use and care

- Ensure the switch is in the off position before inserting battery pack. Inserting the battery pack into power tools that have the switch on invites accidents.
- Recharge only with the charger specified by the manufacturer. A charger that is suitable for one type of battery pack may create a risk of fire when used with another battery pack.
- Use power tools only with specifically designated battery packs. Use of any other battery packs may create a risk of injury and fire.
- When battery pack is not in use, keep it away from other metal objects like paper clips, coins, keys, nails, screws, or other small metal objects that can make a connection from one terminal to another.
Shorting the battery terminals together may cause burns or a fire.
- Under abusive conditions, liquid may be ejected from the battery; avoid contact. If contact accidentally occurs, flush with water. If liquid contacts eyes, additionally seek medical help. Liquid ejected from the battery may cause irritation or burns.

ADDITIONAL SAFETY INSTRUCTIONS FOR BATTERY CHARGING

- Before charging, read the instructions.
- Recharge only with USB power supply-5V DC.
- Do not charge a leaking battery.
- Do not use chargers for works other than those for which they are specified.
- The charging device must be protected from moisture.
- Do not use the charging device in the open.
- Do not short out the contacts of battery or power supply.
- Do not open the unit and keep out of the reach of children.
- Ensure that the connection between the battery charger and battery is correctly positioned and is not obstructed by foreign matter.

- When charging batteries, ensure that the battery charger is in a well-ventilated area and away from inflammable materials. Batteries can get hot during charging. Do not overcharge any batteries. Ensure that batteries and chargers are not left unsupervised during charging.
- Longer life and better performance can be obtained if the battery is charged when the air temperature is between 18°C and 24°C. Do not charge the battery in air temperatures below 4°C, or above 40°C. This is important as it can prevent serious damage to the battery.

ADDITIONAL SAFETY INSTRUCTIONS RELATED TO BATTERY SAFETY

Charge the tool only with 5V DC power supply, be sure to charge strictly according to the instructions.

Do not charge the battery in a place where static electricity is generated nor let the battery touch something that is statically charged.

The battery can be stored at temperatures between 40°F(4°C) and 104°F(40°C).

Never store or leave your lithium ion battery in temperatures over that recommended otherwise fire may occur.

DO NOT store the Lithium Ion battery anywhere that the temperature can easily reach higher temperatures than recommended -this includes garden type sheds, and Vehicles where the inside temperature can climb to dangerous levels in the direct sunlight and on high temperature days. **THINK BEFORE LEAVING YOUR LITHIUM ION BATTERY PACK IN STORAGE.**

The battery can be charged or operated at temperatures between 40°F(4°C) and 104°F(40°C). **NEVER CHARGE YOU LITHIUM ION BATTERY BELOW OR ABOVE TEMPERATURES RECOMMENDED OTHERWISE FIRE OR SERIOUS DAMAGE TO THE BATTERY PACK MAY OCCUR.**

The most suitable temperatures to charge the battery pack are between 68°F(20°C) -77°F(25°C).

Always allow the battery pack to cool down after charging, do not place it in a hot environment such as a metal shed or open trailer left in the sun.

Take care where the tool is stored. Do not store in areas of corrosive fumes, or salt air or similar conditions. Try and store the tool in the packaging supplied with the tool.

Do not dispose of the battery in a fire or put the battery into a microwave oven, conventional oven, dryer, or high-pressure container. Under these conditions, the battery may explode.

Never attempt to open the battery pack, puncture the battery or subject the battery to strong physical shock.

If you detect leakage or a foul odour, it is especially important to keep the battery away from fire. If battery liquid leaks onto your skin or clothes, wash well with clean water immediately. If liquid leaking from the battery gets into your eyes, do not rub your eyes. Rinse your eyes well (for at least 10 minutes) with clean water, and consult a doctor immediately.

Do not use a leaking battery.

Handle batteries with care to avoid shorting the battery with conducting materials, such as nails, screws, metal watch bands, rings, bracelets, and keys. The battery may overheat

and could burn you.

After the battery has reached the end of its useful life, we recommend recycling the materials at your local municipal council recycling centre. DO NOT attempt to replace the battery cells in the battery pack, repair or modify any part of the battery pack assembly.

WHEN TO CHARGE THE BATTERY

New batteries are shipped in a low charged condition and should be fully charged before Use. The battery pack can be recharged at any time during use, provided the pack is not overheated.

If the battery pack starts to cut out due to low voltage, or previous tasks undertaken can no longer be performed, it is suggested to stop using the tool and recharge the battery.

For storage, it is suggested to recharge the battery between 50% and 75% charge, and charge the device at least once in 3-6 months to preserve battery lifespan.

ADDITIONAL POWER TOOL SAFETY WARNINGS

⚠ Warning! Additional safety warnings for screwdrivers:

- Hold power tool by insulated gripping surfaces, when performing an operation where the fastener may contact hidden wiring. Fasteners contacting a "live" wire may make exposed metal parts of the power tool "live" and could give the operator an electric shock.
- Use clamps or another practical way to secure and support the workpiece to a stable platform. Holding the work by hand or against your body leaves it unstable and may lead to loss of control.
- The intended use is described in this instruction manual. The use of any accessory or attachment or performance of any operation with this tool other than those recommended in this instruction manual may present a risk of personal injury and/or damage to property.

Safety of Others

- Never allow children, persons with reduced physical, sensory or mental capabilities or lack of experience and knowledge or people unfamiliar with these instructions to use the machine, local regulations may restrict the age of the operator.
- Never operate the machine while people, especially children, or pets are nearby.

Residual Risks

Additional residual risks may arise when using the tool which may not be included in the enclosed safety warnings. These risks can arise from misuse, prolonged use etc.

Even with the application of the relevant safety regulations and the implementation of safety devices, certain residual risks can not be avoided. These include:

- Injuries caused by touching any rotating/moving parts.
- Injuries caused when changing any parts, blades or accessories.
- Injuries caused by prolonged use of a tool. When using any tool for prolonged periods ensure you take regular breaks.

- Impairment of hearing.
- Health hazards caused by breathing dust developed when using your tool (example: working with wood, especially oak, beech and MDF).

2. LAYOUT AND UNPACKING

2.1 Layout (Fig. 1)

1. 1/4" Collet sleeve
2. Pivot locking button
3. Forward, Reverse rotation and lock control
4. ON/OFF switch
5. LED light
6. Socket for charge plug
7. Charger indicator
8. USB Type-C cable

2.2 Items supplied

Please check that the article is complete as specified in the scope of delivery. If parts are missing, please contact our online service center.

- Open the packaging and take out the equipment with care.
- Remove the packaging material and any packaging and/or transportation braces (if available).
- Check to see if all items are supplied.
- Inspect the equipment and accessories for transport damage.
- If possible, please keep the packaging until the end of the guarantee period

⚠ Danger!

The equipment and packaging material are not toys. Do not let children play with plastic bags, foils or small parts. There is a danger of swallowing or suffocating!

3. PROPER USE

The tool is intended for the fastening and loosening of bolts, nuts and various threaded fasteners. This tool is not intended for use as a regular drill.

4. TECHNICAL DATA

Battery capacity	1500mAh
Battery voltage	3.7V
Charging voltage	5V DC
Charging time	1.5-3.0 hours
No load speed	250 rpm
Maximum torque	4.5N.m
Tool chuck	6.35mm(1/4inch)
Weight	0.4kg(0.88lbs)

⚠ Danger!

Sound and vibration

Sound and vibration values were measured in accordance with EN 62841.

L_{pA} sound pressure level	61 dB(A)
K_{pA} uncertainty	3 dB
L_{WA} sound power level	72 dB(A)
K_{WA} uncertainty	3 dB

Wear ear-muffs.

The impact of noise can cause damage to hearing. Total vibration values (vector sum of three directions) determined in accordance with EN 62841.

Vibration emission value $a = 0.4 \text{ m/s}^2$ Uncertainty $K = 1.5 \text{ m/s}^2$

⚠ Warning!

The specified vibration value was established in accordance with a standardized testing method. It may change according to how the electric equipment is used and may exceed the specified value in exceptional circumstances.

The specified vibration value can be used to compare the equipment with other electric power tools.

The specified vibration value can be used for initial assessment of a harmful effect.

⚠ Warning!

- The vibration emission during actual use of the power tool can differ from the declared total value depending on the ways in which the tool is used.
- It's necessary to identify safety measures to protect the operator that are based on an estimation of exposure in the actual conditions of use (taking account of all parts of the operating cycle such as the times when the tool is switched off and when it is running idle in addition to the trigger time).
- Keep the noise emissions and vibrations to a minimum.
- Only use appliances which are in perfect working order.
- Service and clean the appliance regularly.
- Adapt your working style to suit the appliance.
- Do not overload the appliance.
- Have the appliance serviced whenever necessary.
- Switch the appliance off when it is not in use.
- Wear protective gloves.

⚠ Caution!

Residual risks

Even if you use this electric power tool in accordance with instructions, certain residual risks cannot be ruled out. The following hazards may arise in connection with the equipment's construction and layout:

- Lung damage if no suitable protective dust mask is used.
- Damage to hearing if no suitable ear protection is used.

- Health damage caused by hand-arm vibrations if the equipment is used over a prolonged period or is not properly guided and maintained.

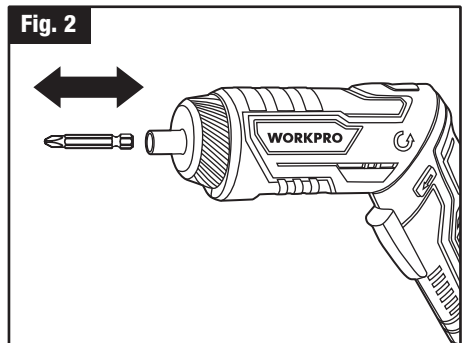
5. ASSEMBLY

⚠ WARNING: Do not use this product if it is not completely assembled or if any parts appear to be missing or damaged. Use of a product that is not properly and completely assembled or with damaged or missing parts could result in serious personal injury.

5.1 Installing and removing accessories (Fig. 2)

⚠ WARNING: Check that the accessories are correctly attached. Incorrect or insecurely fastened accessories can come loose during operation and cause a hazard.

- Fully insert the desired bit into the collet sleeve.
- Take the bit out of the the collet sleeve.



6. BEFORE STARTING THE EQUIPMENT

6.1 Charging the battery (Fig. 3)

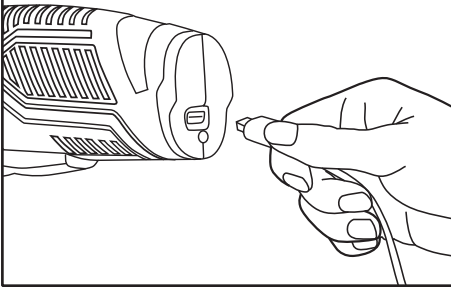
- Connect to power supply (DC 5V, 500mA to 2000mA), it can be any mobile phone charger or USB port of the computer or power bank (output 5V DC).
- LED will illuminate red when charging.
- The battery will take approximately 1.5-3 hours to charge, according to power supply output current.
- LED will illuminate green when fully charged.
- For safety reasons it is not possible to work with the battery while it is being charged.
- To ensure that the battery pack provides long service, you should take care to recharge it promptly.
- You must recharge the battery pack when you notice that the power of the cordless screwdriver drops. Never fully discharge the battery pack. This will cause it to develop a defect.

⚠ WARNING:

The switching devices installed on the tool by the manufacturer are not allowed to be removed or bypassed, e.g. by fitting a

switching button to the handle, as this may result in risk of injury and the tool will no longer switch off automatically.

Fig. 3



7. OPERATION

7.1 Stick/Pistol Position(Fig.4,5)

The screwdriver can be used as a stick screwdriver or a pistol screwdriver. A pivot locking button is located on the top of the screwdriver.

To place the screwdriver in stick position: Hold in normal operating position, press pivot locking button down and twist back housing fully clockwise.

To place the screwdriver in pistol position: Hold in normal operating position, press pivot locking button down and twist back housing fully counterclockwise.

Fig. 4

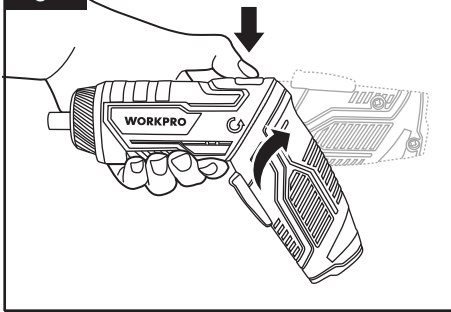
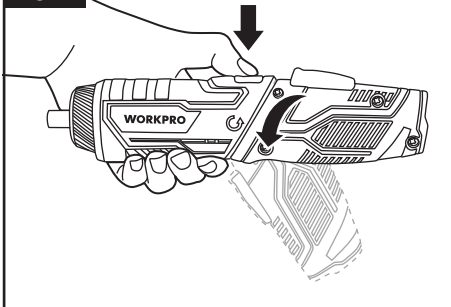


Fig. 5

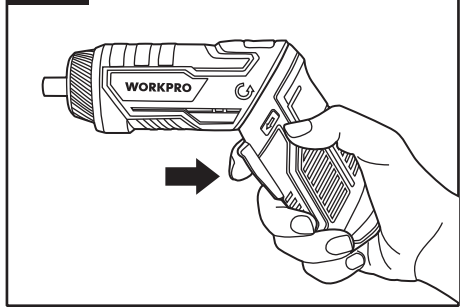


7.2 Starting, Stopping and Controlling Speed(Fig.6)

These tools may be operated at any speed from 0 to full speed.

- To start the tool, press the ON/OFF switch. NOTE: An LED light is turned on when the switch is pressed.
- To vary the driving speed, increase or decrease pressure on the switch. The further the switch is pressed, the greater the speed.
- To stop the tool, release the switch.

Fig. 6



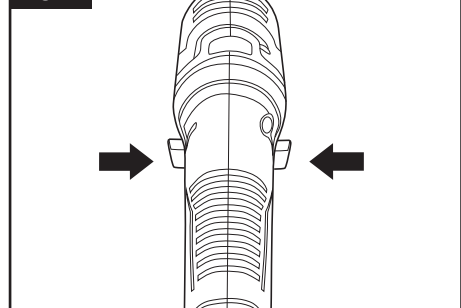
7.3 Forward, Reverse Rotation and Lock Control (Fig. 7)

Your tool is equipped with a forward, reverse rotation and lock control located above the ON/OFF switch. It was designed for changing rotation of the chuck and for locking the ON/OFF switch in the center position to help prevent accidental start and accidental battery discharge. For forward rotation, (with chuck pointed away from you) move the lever to the far left.

For reverse rotation move the lever to the far right. To activate switch lock move the lever to the center off position.

⚠ Caution: Do not change direction of rotation until the tool comes to a complete stop. Shifting during rotation of the chuck can cause damage to the tool.

Fig. 7



8. CLEANING, MAINTENANCE



Always remove the battery pack before making adjustments to the equipment.

8.1 Cleaning

- Keep all safety devices, air vents and the motor housing free of dirt and dust as far as possible. Wipe the equipment with a clean cloth or blow it with compressed air at low pressure.
- We recommend that you clean the device immediately each time you have finished using it.
- Clean the equipment regularly with a moist cloth and some soft soap. Do not use cleaning agents or solvents; these could attack the plastic parts of the equipment. Ensure that no water can seep into the device. The ingress of water into an electric tool increases the risk of an electric shock.

8.2 Maintenance

There are no parts inside the equipment which require additional maintenance.

9. STORAGE

Store the equipment and accessories in a dark and dry place at above freezing temperature. The ideal storage temperature is between 5°C(41°F) and 30°C(86°F). Store the electric tool in its original packaging.

For storage, it is suggested to recharge the battery between 50% and 75% charge, and charge the device at least once in 3-6 months to preserve battery lifespan.

10. DISPOSAL AND RECYCLING

The equipment is supplied in packaging to prevent it from being damaged in transit. The raw materials in this packaging can be reused or recycled. The equipment and its accessories are made of various types of material, such as metal and plastic. Never place defective equipment in your household refuse. The equipment should be taken to a suitable collection center for proper disposal. If you do not know the whereabouts of such a collection point, you should ask in your local council offices.



Environmental protection

This product has been marked with a symbol relating to removing electric and electronic waste.

This means that this product shall not be discarded with household waste but that it shall be returned to a collection system. It will then be recycled or dismantled in order to reduce the impact on the environment. Electric and electronic equipment can be hazardous for the environment and for human health since they contain hazardous substances.



Disposal of an exhausted battery pack

To preserve natural resources, please recycle or dispose of the battery pack properly. This battery pack contains Li-ion batteries. Consult your local waste authority for information regarding available recycling and/or disposal options. Discharge your battery pack by operating your tool, then remove the battery pack from the tool housing and cover the battery pack connections with heavy-duty adhesive tape to prevent short circuit and energy discharge. Do not attempt to open or remove any of the components.