

Operator's Manual



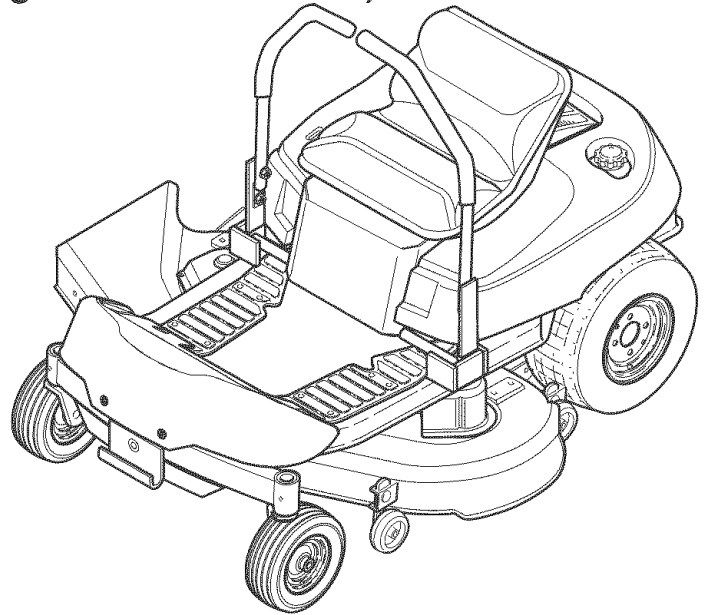
ZTS 7500

Zero-Turn Rear Engine Riders with Electric Start

Model No.

107.27788 (20HP Kohler Engine with 44" Mower)

107.27790 (24HP Briggs & Stratton Engine with 50" Mower)



CAUTION: Before using this product, read the manual and follow all its Safety Rules and Operating Instructions.

For answers to your questions about this product, call:

1-800-659-5917

Sears Craftsman Help Line

5 am - 5 pm, Mon - Sat

Nota: Una traducción en español de este Manual del Operador puede encontrarse en la página 35.

Sears, Roebuck and Co., Hoffman Estates, IL 60179 U.S.A.

Visit our Craftsman website: www.sears.com/craftsman

TP 899-4448-03-CZ-C

1734211

Revision 03

TABLE OF CONTENTS

Nota: Una traducción en español de este Manual del Operador puede encontrarse en la página 35.

Warranty Statement.....	2	Storage	32
Safety Rules & Information.....	3	Specifications	32
Identification Numbers.....	8	Troubleshooting.....	33
Optional Accessories.....	8	Spanish Operator's Manual	35
Literature Package Contents	8	Repair Parts	PTS-1
Pre-Operation.....	9	Hardware & Torque Specifications.....	PTS-44
Operation.....	10	Repair Protection Agreement.....	Inside Back Cover
Maintenance.....	17	Service Numbers.....	Back Cover
Service & Adjustments	28		

NOTE: In this manual, "left" and "right" are referred to as seen from the operating position.

WARRANTY

LIMITED WARRANTY ON CRAFTSMAN RIDING EQUIPMENT

For two (2) years from the date of purchase, if this Craftsman riding equipment is maintained, lubricated and tuned up according to the instructions in the owner's manual, Sears will repair or replace free of charge any parts that are found to be defective in material or workmanship according to the guidelines of coverage listed below. Sears will also provide free labor for these applicable warranted parts for the two full years. During the first 30 days of purchase, there will be no charges to service the product at your home for issues covered by this warranty. (See exclusions below). For your convenience, IN HOME warranty service will still be available after the first 30 days of purchase, but a trip charge will apply. This charge will be waived if the Craftsman product is dropped off at an authorized Sears location. For the nearest authorized Sears location, please call 1-800-MY-HOME. This warranty applies only while this product is within the United States.

THIS WARRANTY DOES NOT COVER:

- Expendable items which become worn during normal use, including but not limited to blades, spark plugs, air cleaners, belts, and oil filters.
- Standard maintenance servicing, oil changes, or tune-ups.
- Tire replacement or repair caused by punctures from outside objects, such as nails, thorns, stumps, or glass.
- Repairs necessary because of operator abuse, including but not limited to, damage caused by towing objects beyond the capability of the riding equipment, impacting objects that bend the frame or crankshaft, or over-speeding the engine.
- Repairs necessary because of operator negligence, including but not limited to, electrical and mechanical damage caused by improper storage, failure to use the proper grade and amount of engine oil, failure to keep the deck clear of flammable debris, or failure to maintain the equipment according to the instructions contained in the owner's manual.
- Engine (fuel system) cleaning or repairs caused by fuel determined to be contaminated or oxidized (stale). In general, fuel should be used within 30 days of its purchase date.
- Normal deterioration and wear of the exterior of the exterior finishes, or product label replacement.
- Riding equipment used for commercial or rental purposes.

LIMITED WARRANTY ON BATTERY

For ninety (90) days from date of purchase, if any battery included with this riding equipment proves defective in material or workmanship and our testing determines the battery will not hold a charge, Sears will replace the battery at no charge. During the first 30 days of purchase, there will be no charges to replace the battery at your HOME. After first 30 days, for your convenience, IN-HOME warranty service will still be available but a trip charge will apply. This charge will be waived if the Craftsman product is dropped off at an authorized Sears location. FOR THE NEAREST AUTHORIZED LOCATION, PLEASE CALL 1-800-4-MY-HOME. This battery warranty applies only while this product is within the United States.

This warranty gives you specific legal rights, and you may also have other rights which vary from state to state.


Sears, Roebuck and Co., Dept. 817WA, Hoffman Estates, IL 60179

SAFETY RULES



Read these safety rules and follow them closely. Failure to obey these rules could result in loss of control of unit, severe personal injury or death to you, or bystanders, or damage to property or equipment.

This mowing deck is capable of amputating hands and feet and throwing objects.

The triangle  in text signifies important cautions or warnings which must be followed.

GENERAL OPERATION

1. Read, understand, and follow all instructions in the manual and on the unit before starting.
2. Do not put hands or feet near rotating parts or under the machine. Keep clear of the discharge opening at all times.
3. Only allow responsible adults, who are familiar with the instructions, to operate the unit (local regulations can restrict operator age).
4. Clear the area of objects such as rocks, toys, wire, etc., which could be picked up and thrown by the blade(s).
5. Be sure the area is clear of other people before mowing. Stop the unit if anyone enters the area.
6. Never carry passengers.
7. Do not mow in reverse unless absolutely necessary. Always look down and behind before and while travelling in reverse.
8. Never direct discharge material toward anyone. Avoid discharging material against a wall or obstruction. Material may ricochet back toward the operator. Stop the blade(s) when crossing gravel surfaces.
9. Do not operate the machine without the entire grass catcher, discharge guard (deflector), or other safety devices in place and operational.
10. Slow down before turning.
11. Never leave a running unit unattended. Always disengage the blades (PTO), set parking brake, stop engine, and remove keys before dismounting.
12. Disengage blades (PTO) when not mowing. Shut off engine and wait for all parts to come to a complete stop before cleaning the machine, removing the grass catcher, or unclogging the discharge guard.
13. Operate the machine only in daylight or good artificial light.
14. Do not operate the unit while under the influence of alcohol or drugs.
15. Watch for traffic when operating near or crossing roadways.
16. Use extra care when loading or unloading the unit into a trailer or truck.
17. Always wear eye protection when operating this unit.
18. Data indicates that operators, age 60 years and above, are involved in a large percentage of power equipment-related injuries. These operators should evaluate their ability to operate the equipment safely enough to protect themselves and others from injury.
19. Follow the manufacturer's recommendations for wheel weights or counterweights.
20. Keep in mind the operator is responsible for accidents occurring to other people or property.
21. All drivers should seek and obtain professional and practical instruction.
22. Always wear substantial footwear and trousers. Never operate when barefoot or wearing sandals.
23. Before using, always visually check that the blades and blade hardware are present, intact, and secure. Replace worn or damaged parts.
24. Disengage attachments before: refueling, removing an attachment, making adjustments (unless the adjustment can be made from the operator's position).
25. When the machine is parked, stored, or left unattended, lower the cutting means unless a positive mechanical lock is used.
26. Before leaving the operator's position for any reason, engage the parking brake (if equipped), disengage the blades (PTO), stop the engine, and remove the key.
27. To reduce fire hazard, keep the unit free of grass, leaves, & excess oil. Do not stop or park over dry leaves, grass, or combustible materials.
28. It is a violation of California Public Resource Code Section 4442 to use or operate the engine on or near any forest-covered, brush-covered, or grass-covered land unless the exhaust system is equipped with a spark arrester meeting any applicable local or state laws. Other states or federal areas may have similar laws.
29. OSHA regulations may require the use of hearing protection when exposed to sound levels greater than 85 dBA for an 8 hour time period.

CAUTION



This machine produces sound levels in excess of 85 dBA at the operator's ear and can cause hearing loss though extended periods of exposure.

Wear hearing protection when operating this machine.

TRANSPORTING AND STORAGE

1. When transporting the unit on an open trailer, make sure it is facing forward, in the direction of travel. If the unit is facing backwards, wind lift could damage the unit.
2. Always observe safe refueling and fuel handling practices when refueling the unit after transportation or storage.
3. Never store the unit (with fuel) in an enclosed poorly ventilated structure. Fuel vapors can travel to an ignition source (such as a furnace, water heater, etc.) and cause an explosion. Fuel vapor is also toxic to humans and animals.
4. Never store the unit or fuel container inside where there is an open flame or pilot light, such as in a water heater. Allow unit to cool before storing.

SLOPE OPERATION

Slopes are a major factor related to loss-of-control and tip-over accidents, which can result in severe injury or death. Operation on all slopes requires extra caution. If you cannot back up the slope or if you feel uneasy on it, do not operate on it.

Control of a walk-behind or ride-on machine sliding on a slope will not be regained by the application of the brake. The main reasons for loss of control are: insufficient tire grip on the ground, speed too fast, inadequate braking, the type of machine is unsuitable for its task, lack of awareness of the ground conditions, incorrect hitching and load distribution.

1. Mow up and down the face of slopes, not across.
2. Watch for holes, ruts, or bumps. Uneven terrain could overturn the unit. Tall grass can hide obstacles.
3. Choose a slow speed so that you will not have to stop or change speeds while on the slope.
4. Do not mow on wet grass. Tires may lose traction.
5. Avoid starting, stopping, or turning on a slope. If tires lose traction (i.e. machine stops forward motion on a slope), disengage the blade(s) (PTO) and drive slow off the slope.
6. Keep all movement on slopes slow and gradual. Do not make sudden changes in speed or direction, which could cause the machine to rollover.
7. Use extra care while operating machines with grass catchers or other attachments; they can affect the stability of the unit. Do not use on steep slopes.
8. Do not try to stabilize the machine by putting your foot on the ground (ride-on units).
9. Do not mow near drop-offs, ditches, or embankments. The mower could suddenly turn over if a wheel is over the edge of a cliff or ditch, or if an edge caves in.
10. Do not use grass catchers on steep slopes.
11. Do not mow slopes if you cannot back up them.
12. See your authorized dealer/retailer for recommendations of wheel weights or counterweights to improve stability.
13. Remove obstacles such as rocks, tree limbs, etc.
14. Use slow speed. Tires may lose traction on slopes even through the brakes are functioning properly.
15. Do not turn on slopes unless necessary, and then, turn slowly and gradually uphill, if possible. Never mow down slopes.

TOWED EQUIPMENT (RIDE-ON UNITS)

1. Tow only with a machine that has a hitch designed for towing. Do not attach towed equipment except at the hitch point.
2. Follow the manufacturer's recommendations for weight limit for towed equipment and towing on slopes. See attaching a trailer under OPERATION.
3. Never allow children or others in or on towed equipment.
4. On slopes, the weight of the towed equipment may cause loss of traction and loss of control.
5. Travel slowly and allow extra distance to stop.
6. Do not shift to neutral and coast down hill.

WARNING

Never operate on slopes greater than 17.6 percent (10°) which is a rise of 3-1/2 feet (106 cm) vertically in 20 feet (607 cm) horizontally.

Select slow ground speed before driving onto slope. Use extra caution when operating on slopes with rear-mounted grass catchers.

Mow up and down the face of slopes, not across. Use caution when changing directions and **DO NOT START OR STOP ON SLOPE.**

CHILDREN

Tragic accidents can occur if the operator is not alert to the presence of children. Children are often attracted to the unit and the mowing activity. Never assume that children will remain where you last saw them.

1. Keep children out of the mowing area and under the watchful care of another responsible adult.
2. Be alert and turn unit off if children enter the area.
3. Before and during reverse operation, look behind and down for small children.
4. Never carry children, even with the blade(s) off. They may fall off and be seriously injured or interfere with safe unit operation. Children who have been given rides in the past may suddenly appear in the mowing area for another ride and be run over or backed over by the machine.
5. Never allow children to operate the unit.
6. Use extra care when approaching blind corners, shrubs, trees, or other objects that may obscure vision.

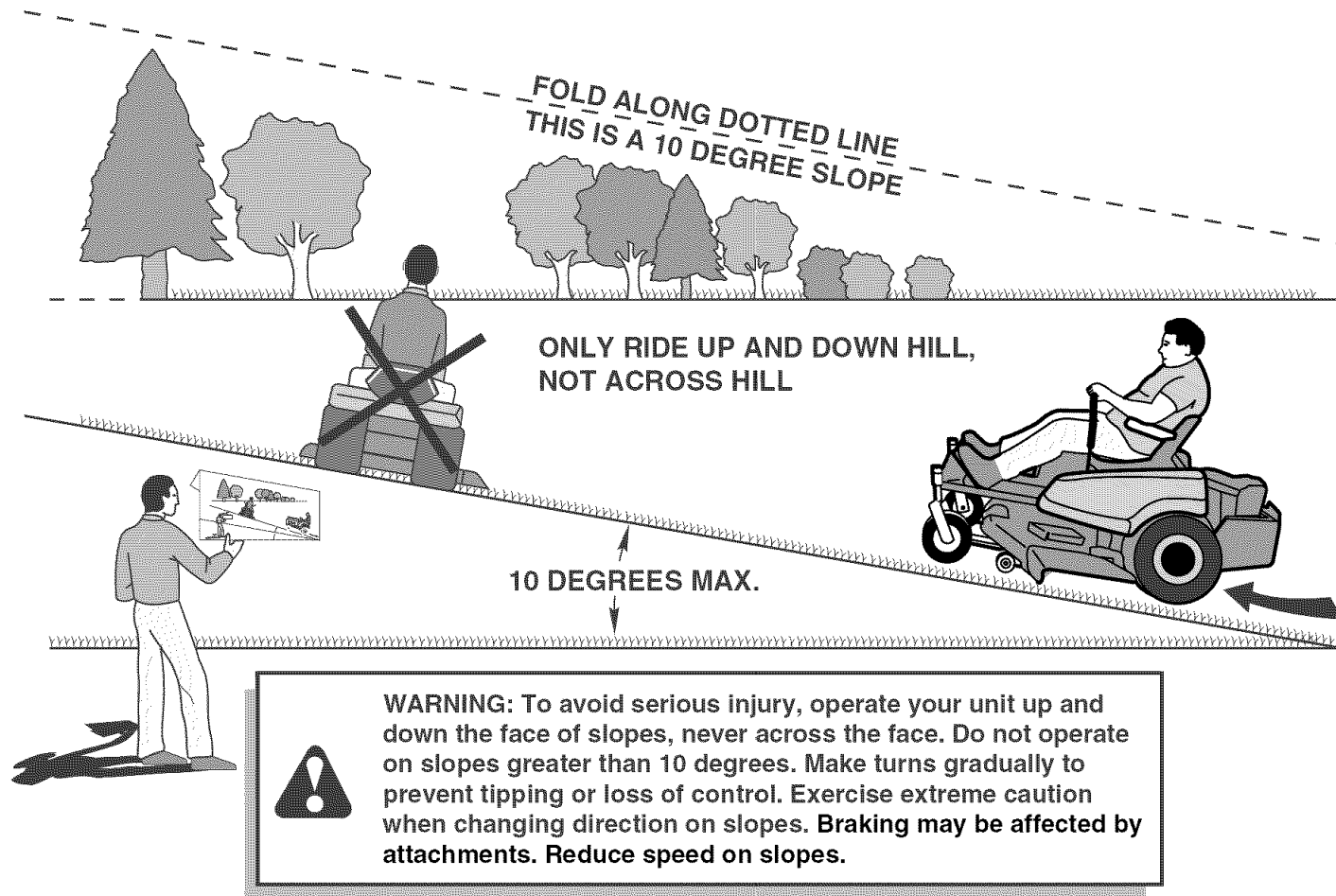
EMISSIONS

1. Engine exhaust from this product contains chemicals known, in certain quantities, to cause cancer, birth defects, or other reproductive harm.
2. Look for the relevant Emissions Durability Period and Air Index information on the engine emissions label.

IGNITION SYSTEM

1. This spark ignition system complies with Canadian ICES-002.

SUGGESTED GUIDE FOR SIGHTING SLOPES FOR SAFE OPERATION OF RIDER WITH ATTACHMENT



1. Fold this page along dotted line indicated above.
2. Hold page before you so that its left edge is vertically parallel to a tree trunk or other upright structure.
3. Sight across the fold in the direction of hill slope you want to measure.
4. Compare the angle of the fold with the slope of the hill.

SERVICE AND MAINTENANCE

Safe Handling of Gasoline

1. Extinguish all cigarettes, cigars, pipes, and other sources of ignition.
2. Use only approved gasoline containers.
3. Never remove the gas cap or add fuel with the engine running. Allow the engine to cool before refueling.
4. Never fuel the machine indoors.
5. Never store the machine or fuel container where there is an open flame, spark, or pilot light such as near a water heater or other appliance.
6. Never fill containers inside a vehicle or on a truck bed with a plastic bed liner. Always place containers on the ground away from your vehicle before filling.
7. Remove gas-powered equipment from the truck or trailer and refuel it on the ground. If this is not possible, then refuel such equipment on a trailer with a portable container, rather than from a gasoline dispenser nozzle.
8. Keep nozzle in contact with the rim of the fuel tank or container opening at all times until fueling is complete. Do not use a nozzle lock-open device.
9. If fuel is spilled on clothing, change clothing immediately.
10. Never over-fill the fuel tank. Replace gas cap and tighten securely.
11. Use extra care in handling gasoline and other fuels. They are flammable and vapors are explosive.
12. If fuel is spilled, do not attempt to start the engine but move the machine away from the area of spillage and avoid creating any source of ignition until fuel vapors have dissipated.
13. Replace all fuel tank caps and fuel container caps securely.
13. If the fuel tank must be drained, it should be drained outdoors.
14. Replace faulty silencers/mufflers.
15. Maintain or replace safety and instruction labels as necessary.
16. Use only Sears authorized replacement parts when making repairs.
17. Always comply with factory specifications on all settings and adjustments.
18. Only authorized Sears service locations should be utilized for major service and repair requirements.
19. Never attempt to make major repairs on this unit unless you have been properly trained. Improper service procedures can result in hazardous operation, equipment damage and voiding of manufacturer's warranty.
20. On multiple blade mowers, take care as rotating one blade can cause other blades to rotate.
21. Do not change engine governor settings or over-speed the engine. Operating the engine at excessive speed can increase the hazard of personal injury.
22. Disengage drive attachments, stop the engine, remove the key, and disconnect the spark plug wire(s) before: clearing attachment blockages and chutes, performing service work, striking an object, or if the unit vibrates abnormally. After striking an object, inspect the machine for damage and make repairs before restarting and operating the equipment.
23. Never place hands near the moving parts, such as a hydro pump cooling fan, when the tractor is running. (Hydro pump cooling fans are typically located on top of the transaxle).
24. Units with hydraulic pumps, hoses, or motors: **WARNING:** Hydraulic fluid escaping under pressure may have sufficient force to penetrate skin and cause serious injury. If foreign fluid is injected into the skin it must be surgically removed within a few hours by a doctor familiar with this form of injury or gangrene may result. Keep body and hands away from pin holes or nozzles that eject hydraulic fluid under high pressure. Use paper or cardboard, and not hands, to search for leaks. Make sure all hydraulic fluid connections are tight and all hydraulic hoses and lines are in good condition before applying pressure to the system. If leaks occur, have the unit serviced immediately by your authorized Sears service center.

Service & Maintenance

1. Never run the unit in an enclosed area where carbon monoxide fumes may collect.
2. Keep nuts and bolts, especially blade attachment bolts, tight and keep equipment in good condition.
3. Never tamper with safety devices. Check their proper operation regularly and make necessary repairs if they are not functioning properly.
4. Keep unit free of grass, leaves, or other debris build-up. Clean up oil or fuel spillage, and remove any fuel-soaked debris. Allow machine to cool before storage.
5. If you strike an object, stop and inspect the machine. Repair, if necessary, before restarting.
6. Never make adjustments or repairs with the engine running.
7. Check grass catcher components and the discharge guard frequently and replace with manufacturer's recommended parts, when necessary.
8. Mower blades are sharp. Wrap the blade or wear gloves, and use extra caution when servicing them.
9. Check brake operation frequently. Adjust and service as required.
10. Maintain or replace safety and instructions labels, as necessary.
11. Do not remove the fuel filter when the engine is hot as spilled gasoline may ignite. Do not spread fuel line clamps further than necessary. Ensure clamps grip hoses firmly over the filter after installation.
12. Do not use gasoline containing METHANOL, gasohol containing more than 10% ETHANOL, gasoline additives, or white gas because engine/fuel system damage could result.
25. **WARNING:** Stored energy device. Improper release of springs can result in serious personal injury. Springs should be removed by an authorized technician.
26. Models equipped with an engine radiator: **WARNING:** Stored energy device. To prevent serious bodily injury from hot coolant or steam blow-out, never attempt to remove the radiator cap while the engine is running. Stop the engine and wait until it is cool. Even then, use extreme care when removing the cap.

SAFETY & OPERATION DECALS

This unit has been designed and manufactured to provide you with the safety and reliability you would expect from an industry leader in outdoor power equipment manufacturing.

Although reading this manual and the safety instructions it contains will provide you with the necessary basic knowledge to operate this equipment safely and effectively, we have placed several safety labels on the unit to remind you of this important information while you are operating your unit.

All DANGER, WARNING, CAUTION and instructional messages on your rider and mower should be carefully read and obeyed. Personal bodily injury can result when these instructions are not followed. The information is for your safety and it is important! The safety decals below are on your rider and mower.

If any of these decals are lost or damaged, replace them at once. Contact a Sears Parts & Service Center for replacements.

These labels are easily applied and will act as a constant visual reminder to you, and others who may use the equipment, to follow the safety instructions necessary for safe, effective operation.

Decal - Amputation and Thrown Objects Hazard
Part No. 1704277

Decal - Operation, Upper
Part No. 1734236

Decal - Operation, Lower
Part No. 1734207

Decal - Ground Speed Lever
Part No. 1734271

Decal - Cutting Height Switch
Part No. 1734276

Decal - Cutting Height Indicator
Part No. 1734335

Decal - Amputation Hazard
Part No. 1704276

Decal - Hot Surfaces
Part No. 1734273
(Located on RH side)

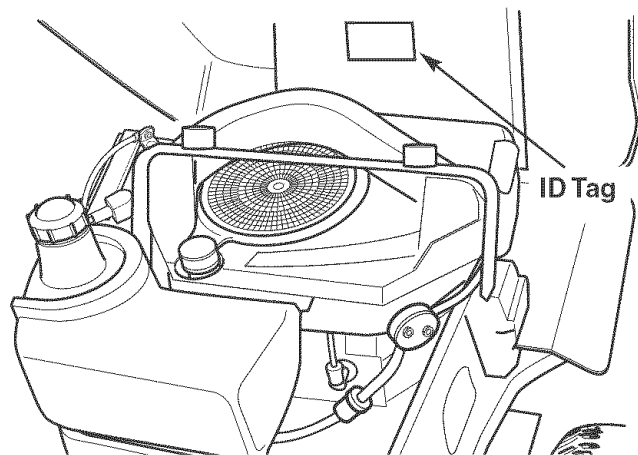
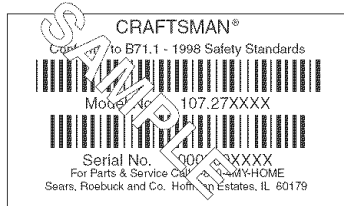
Decal - Transmission Release
Part No. 1720543
(Located on rear frame)

Decal - Ground Speed Lever
Part No. 1734270

Decal - Control Panel
Part No. 1734272



IDENTIFICATION NUMBERS



When contacting the service center for replacement parts, service, or information you **MUST** have these numbers.

Record your model name/number, manufacturer's identification numbers, and engine serial numbers in the space provided for easy access.

The identification tag is located on the underside of the seat. Tilt the seat forward to access the ID tag.

For answers to your questions about this product, call: 1-800-659-5917

Sears Craftsman Help Line, 5 am - 5 pm, Monday-Saturday.

PRODUCT REFERENCE DATA	
Model Description Name/Number	
Stock Number	Unit Serial Number
Date Purchased	
ENGINE REFERENCE DATA	
Engine Make	Engine Model
Engine Type/Spec	Engine Code/Serial Number

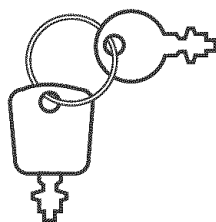
OPTIONAL ACCESSORIES

See your local Sears retailer to purchase the following accessories:

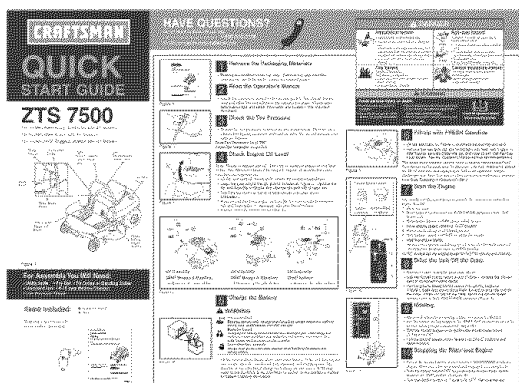
- Two Bag Grass Collector
- Headlight Kit
- Front Bumper Kit

LITERATURE PACKAGE CONTENTS

Keys

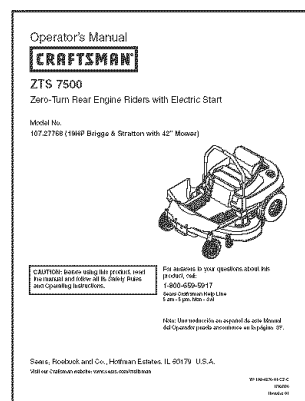


Quick Start Guide - English



Quick Start Guide - Spanish

Operator's Manual & Parts Book - English/Spanish



PRE-OPERATION

Remove the Packaging Materials

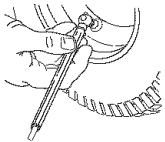


Remove the cardboard from the crate. Remove any steel branding securing the unit to the crate. Locate the manual packet.

Read the Operator's Manual

Locate the operator's manual in the manual packet. You should always read and follow the instructions in the operator's manual. Proper care, performance tips, and safety information are located in this important document.

Check the Tire Pressure

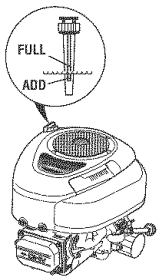


Reduce the tire pressures to the pressures shown below. Tires are over-inflated for shipping purposes and must be set to the correct pressures for optimum traction.

Rear Tire Pressure: 10-12 PSI

Front Tire Pressure: 18-20 PSI

Check Engine Oil Level



Note: Engine is shipped with oil. Add 10W-30 premium engine oil if oil level is low. See MAINTENANCE for complete engine oil specifications and maintenance requirements.

Lift the seat deck (Figure 12) to access the engine compartment.

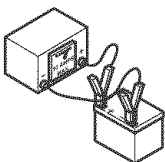
Clean the area around the dip stick/oil fill tube. Remove the dip stick from the oil fill tube and wipe the dip stick with a clean rag.

Insert the dip stick into the oil fill tube (thread in or push down completely).

Remove and check the engine oil level. Oil level should be between Full and Add marks. If necessary, add oil to the oil fill tube.

Replace and fully secure the dip stick.

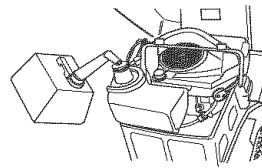
Charge the Battery



Lift the seat deck to access the battery. If the unit is being put into service after the month and year indicated on the battery date tag (located on top of battery) charge the battery for one hour at 6-10 amps. Refer to the SERVICE &

ADJUSTMENTS section of this manual for battery charging information.

Fill-Up with FRESH Gasoline



Lift the seat deck to access the fuel cap and tank.

Remove the fuel tank cap and fill the tank with fresh fuel. After fueling, securely install the cap and wipe up any fuel that may

have spilled. See the Operator's Manual for fuel recommendations.

The single most common service issue is stale or contaminated fuel! Fuel should not be more than 30 days old. Use fuel stabilizer to extend the life of your fuel, and always store fuel in an approved, sealed, plastic gas can. Stale fuel clean-out is not covered under your warranty.

Fuel Tank Capacity: 3 Gallons (11.36L)

Start the Engine and Drive the Unit Off the Crate

Refer to the STARTING THE ENGINE and DRIVING PRACTICE sections of this manual for information on starting the unit and driving it off the crate.

OPERATION

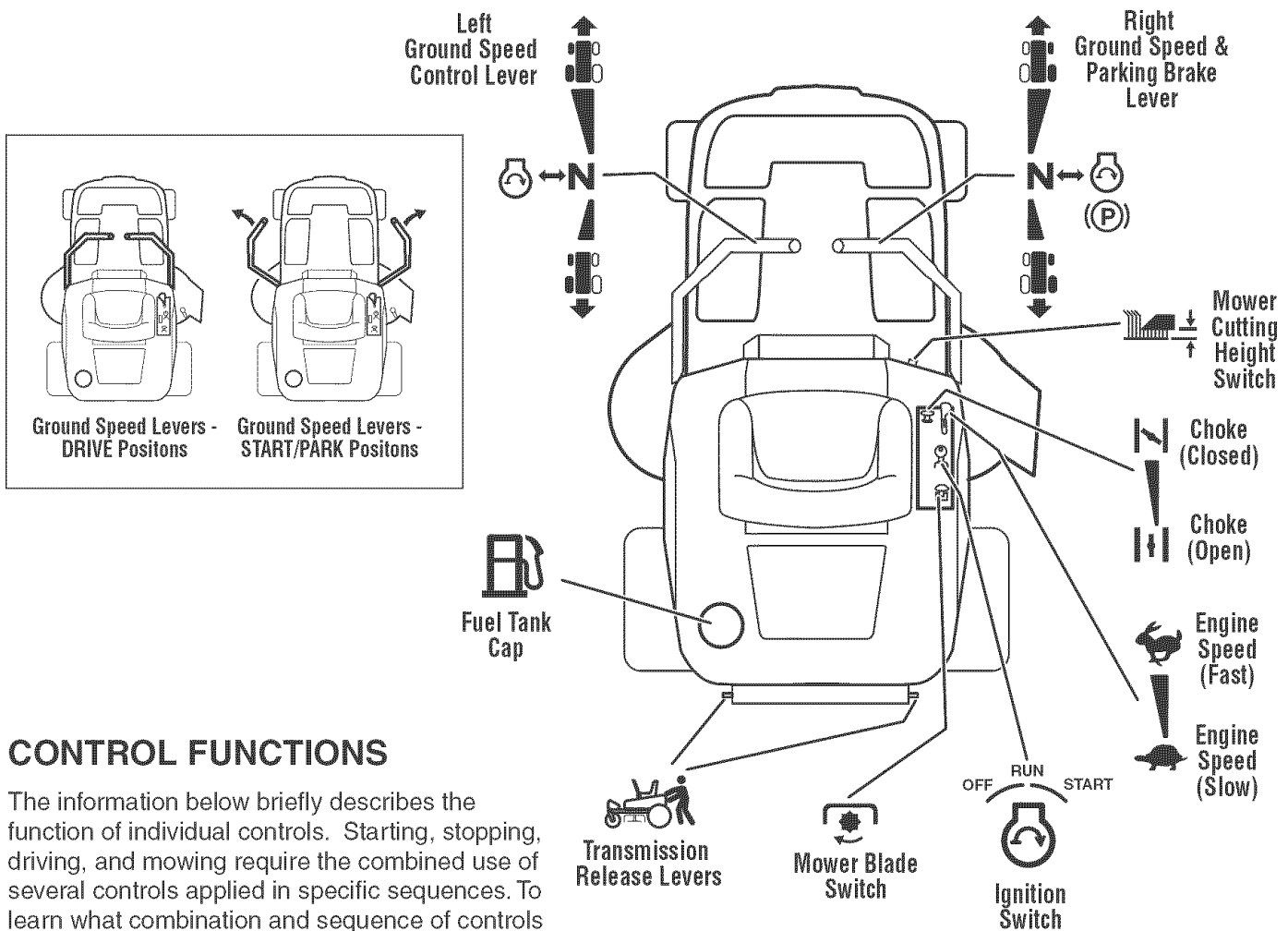


Figure 1. Controls

CONTROL FUNCTIONS

The information below briefly describes the function of individual controls. Starting, stopping, driving, and mowing require the combined use of several controls applied in specific sequences. To learn what combination and sequence of controls to use for various tasks please read the entire section.

Ground Speed Levers / Parking Brake

These levers control the ground speed and parking brake of the rider. The left lever controls the left rear drive wheel and the right lever controls the right rear drive wheel and parking brake.

Pushing the levers out to the side, away from the operator's lap, locks the parking brake in PARK position (inset, Figure 1). This is the proper position for starting the rider. Pulling the levers in across the operator's lap puts the levers in DRIVE positions.

From DRIVE position, moving a lever forward increases the FORWARD speed of the associated wheel. Pulling back on a lever increases the REVERSE speed. The further a lever is pushed, the faster the drive wheel will turn.

See DRIVING PRACTICE for steering instructions.

Engine Speed Control

The engine speed control adjusts engine speed. Always set the engine speed to FAST for driving and mowing. Move the engine speed control back to SLOW to decrease engine speed. NEVER turn on the mower blades with the engine speed set to SLOW. Only turn on the mower blades with the engine speed set to FAST.

Choke

CLOSE the choke for cold starting (pull knob up). OPEN the choke once the engine starts (push knob down). If the engine is warm, it may not require choking. If this is the case, set the choke to OPEN (push the knob down) while cranking the engine. In most cases, you will need to close the choke in order to start the engine.



Mower Cutting Height Switch

To increase the mower cutting height (raise the mower deck), press the top of the yellow mower cutting height switch. To decrease mower cutting height (lower the mower deck), press the bottom of the switch. Mower cutting height range is 3-3/4" to 1-1/2". The cutting height gauge indicates the position of the mower deck.. The cutting height gauge is located on the front of the rider, just behind the driver's left leg.



Ignition Switch

The ignition switch starts and stops the engine; it has three positions:

- OFF** Stops the engine and shuts off the electrical system.
- RUN** Allows the engine to run and powers the electrical system.
- START** Cranks the engine for starting.

NOTE: Never leave the ignition switch in the RUN position with the engine stopped. This drains the battery.



Hour Meter

The hour meter measures the number of hours the key has been in the RUN position.

NOTE: The hour meter will register the passage of time when the key is in the RUN position, even if the engine is not running.



Mower Blade Switch

The yellow mower blade switch turns the mower blades on and off. To turn the mower blades ON, pull the switch up. To turn the mower blades OFF, push the switch down. Always set the engine speed control to FAST before turning the mower blades ON, and while mowing.



Transmission Release Levers

The transmission release levers deactivate the transmissions so that the unit can be pushed by hand. See PUSHING THE UNIT BY HAND for operational information.



Fuel Tank

To remove the fuel tank cap, turn it counterclockwise.

GENERAL OPERATING SAFETY

Before first time operation:

- Be sure to read all information in the Safety and Operation sections before attempting to operate this rider and mower.
- Become familiar with all of the controls and how to stop the unit.
- Drive in an open area without mowing to become accustomed to driving the unit.

WARNING

If you do not understand how a specific control functions, or have not yet thoroughly read the **CONTROL FUNCTIONS** section, do so now. **Do NOT attempt to operate the rider without first becoming familiar with the location and function of ALL controls.**

CHECKS BEFORE STARTING

- Check that the crankcase oil is filled to full mark on dipstick.
- Fill the fuel tank with fresh fuel.

FUEL RECOMMENDATIONS

For daily operation: Use only unleaded gasoline with a pump sticker octane rating of 87 or higher. Gasohol (up to 10% ethyl alcohol, 90% unleaded gasoline by volume) is approved as a fuel. Methyl Tertiary Butyl Ether (MTBE) and unleaded gasoline blends (up to a maximum of 15% MTBE by volume) are approved as a fuel. No other gasoline/alcohol or gasoline/ether blends are approved. Do not use fuel additives other than fuel stabilizer.

For storage: CAUTION: Alcohol blended fuels (called gasohol or using ethanol or methanol) can attract moisture which leads to separation and formation of acids during storage. Acidic gas can damage the fuel system of an engine while in storage.

To avoid engine problems always use fuel stabilizer, especially before storage of 30 days or longer. Use fresh fuel next season. See STORAGE instructions for additional information.

Never use engine or carburetor cleaner products in the fuel tank or permanent damage may occur. To add fuel:

1. Remove the fuel cap (B, Figure 2).
2. Fill the tank. Do not overfill. Leave room in the tank for fuel expansion.
3. Install and hand tighten the fuel cap.

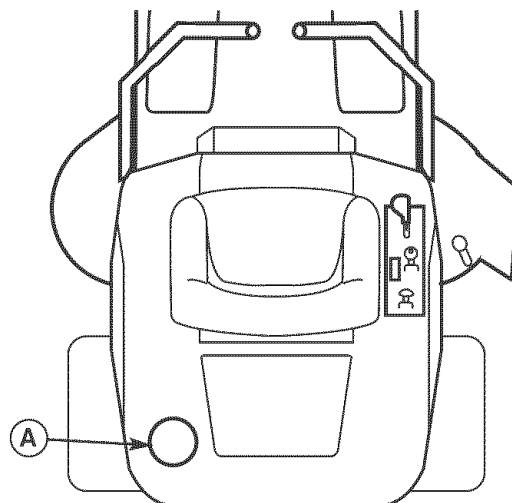


Figure 2. Pre-Start Checks
A. Fuel Tank Cap

⚠ WARNING

Never operate on slopes greater than 17.6 percent (10°) which is a rise of 3-1/2 feet (106 cm) vertically in 20 feet (607 cm) horizontally.

Select slow ground speed before driving onto a slope. Use extra caution when operating on slopes with a rear-mounted grass catcher.

Mow up and down the face of slopes, not across. Use caution when changing directions and DO NOT START OR STOP ON A SLOPE.

⚠ WARNING

Never allow passengers to ride on the unit.

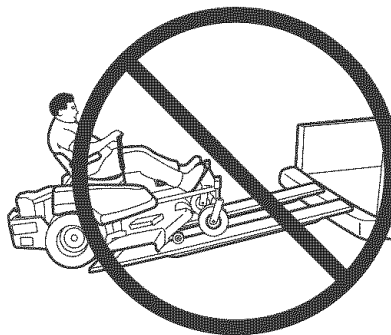
Before leaving the operator's position for any reason, engage the parking brake, disengage the PTO, stop the engine and remove the key.

To reduce fire hazard, keep the engine, rider and mower free of grass, leaves and excess grease. Do not stop or park rider over dry leaves, grass or combustible materials.

Gasoline is highly flammable and must be handled with care. Never fill the tank when the engine is still hot from recent operation. Do not allow open flame, smoking or matches in the area. Avoid over-filling and wipe up any spills.

⚠ WARNING - TRAILERS

Do not load this zero-turn rider on a trailer or truck using two separate ramps. Only use a single ramp that is at least one foot wider than the width of the rear wheels of this rider. This rider has a zero turning radius and the wheels could fall off the ramps, or the rider could tip over injuring the operator or bystanders.



EMERGENCY STOPPING

In the event of an emergency the engine can be stopped by simply turning the ignition switch to STOP. Use this method only in emergency situations. For normal engine shut down follow the procedure given in STOPPING THE RIDER AND ENGINE.

STOPPING THE RIDER & ENGINE

1. Return the ground speed control levers to START/PARK positions to stop rider movement and engage the parking brake.
2. Turn off the mower blades by pushing the mower blade switch down to the OFF position.
3. Move the engine speed control to SLOW position and turn the ignition switch to OFF. Remove the key.

STARTING THE ENGINE

1. While sitting in the seat, make sure the mower blade switch is OFF and the ground speed control levers are locked in START/PARK positions.
2. Move the engine speed control fully forward to FAST. Set the choke control to CLOSED (pull knob UP).

NOTE: A warm engine may not require choking. In this case, set the choke control to OPEN (push knob down).

3. Insert the key into the ignition switch and turn it to START to crank the engine.
4. After the engine starts, release the key. It will return to the RUN position. Gradually push the choke knob down to OPEN position. Warm the engine by running it for at least a minute before turning on the mower blades, or driving the unit.

ALWAYS operate the unit with the engine speed control set to FAST when mowing or driving.
NEVER engage the mower blades with the engine speed set to SLOW.

MOWING

1. Start the engine (see STARTING THE ENGINE).
2. Set the mower cutting height to the desired setting using the mower cutting height switch.
3. Set the engine speed control to FAST.
4. Turn the mower blades ON (pull switch up).
5. Move the ground speed control levers in from START/PARK positions to drive positions (levers in across the operator's lap).
7. Begin mowing. See DRIVING PRACTICE.
8. When finished, turn the mower blades OFF (push switch down).
9. Stop the rider and engine (see STOPPING THE RIDER AND ENGINE).

PUSHING THE RIDER BY HAND

NOTE: Do not disengage the transmissions while parked on a slope.

1. Turn the mower blades OFF, push the ground speed control levers out to their START/PARK positions, turn the ignition switch OFF, **remove the key**, and wait for all moving parts to stop.
2. Locate the transmission release levers (C, Figure 3) at the rear of the unit.
3. Pull **both** levers back and down to release the transmissions (position B, Figure 3).
4. Pull the ground speed control levers in to their DRIVE positions.
The rider can now be pushed by hand.
5. After moving the rider, set the ground speed control levers to START/PARK and push **both** transmission release levers forward to re-engage the transmissions (position A, Figure 3).



DO NOT TOW RIDER

Towing the unit will cause transmission damage. Do not use another vehicle to push or pull this unit.

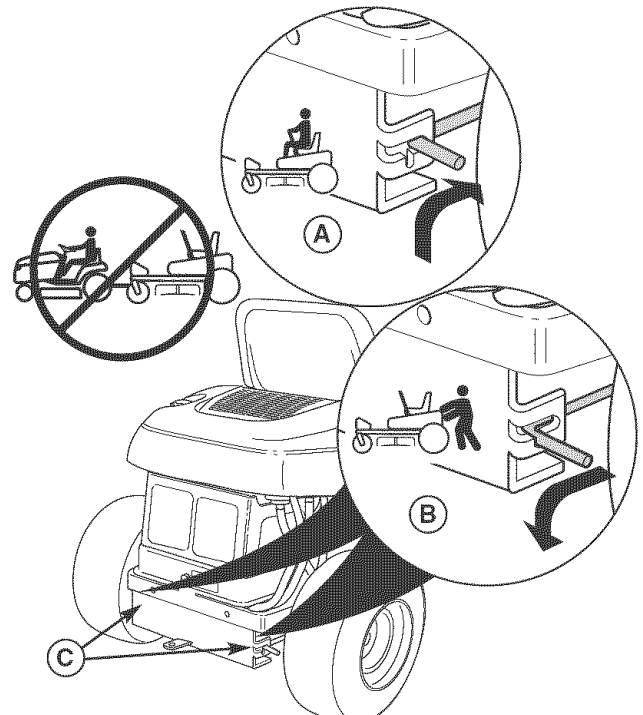


Figure 3. Transmission Release Levers
A. Drive Position
B. Push Position
C. Transmission Release Levers

DRIVING PRACTICE -

BASIC DRIVING

WARNING: Never operate on slopes greater than 17.6% (10°). See SLOPE OPERATION in the safety section. Zero turn riders operate differently from other four-wheeled vehicles. The drive wheels are also your steering wheels. If you cannot drive the unit on a hill, you will not be able to steer the unit on it. Operating zero turn units on slopes requires extra caution.

The lever controls of the zero turn rider are very responsive, and learning to gain a smooth and efficient control of the rider's forward, reverse, and turning movements will take some practice.

Spend some time going through the following maneuvers and becoming familiar with how the unit accelerates, travels, and steers — before you begin mowing — is absolutely essential to getting the most out of the zero turn rider.

Locate a smooth, flat area of your lawn — one with plenty of room to maneuver. (Clear the area of objects, people and animals before you begin.) Operate the unit at mid-throttle during this practice session (ALWAYS operate at full throttle when mowing), and turn slowly to prevent tire slippage and damage to your lawn.

We suggest you begin with the Smooth Travel procedure to the right, and then advance through the forward, reverse, and turning maneuvers.

WARNING

Do not mow in reverse. Always look down and behind before and while travelling in reverse.

Forward Travel

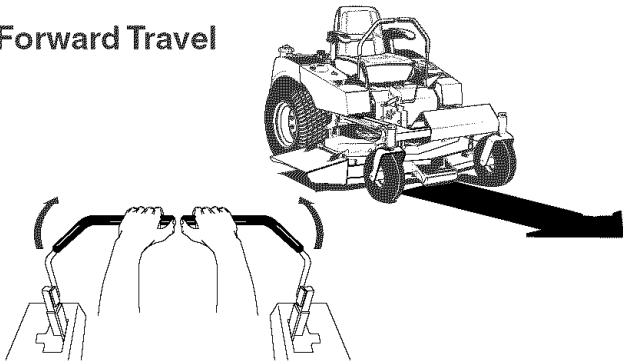


Figure 5. Forward Travel

Smooth Travel

The lever controls of the zero turn rider are highly responsive.

The BEST method of handling the ground speed control levers is in three steps — as shown in Figure 4.

FIRST place your hands onto the levers as shown.

SECOND, to go forward gradually push the levers forward with your palms.

THIRD, to speed up move the levers farther forward. To slow down smoothly, slowly move the levers back toward neutral.

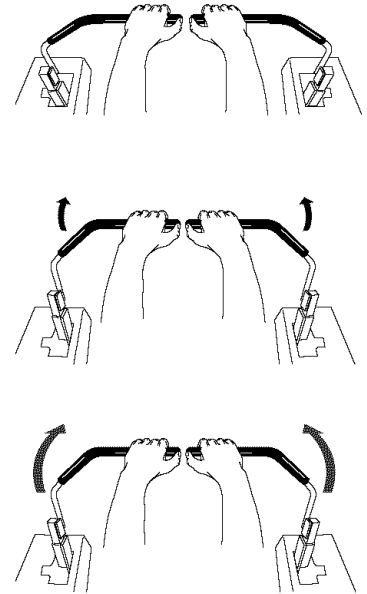


Figure 4. Move Control Levers Gradually

Forward Travel Practice

Gradually move both ground speed control levers evenly FORWARD from neutral. Slow down and repeat.

Reverse Travel Practice

LOOK DOWN & BEHIND, then gradually move both ground speed control levers evenly BACK from neutral. Slow down and repeat.

NOTE: Practice backing up for several minutes before attempting to do so near objects. The rider turns as sharply in reverse as when going forward, and backing up straight takes practice.

Reverse Travel

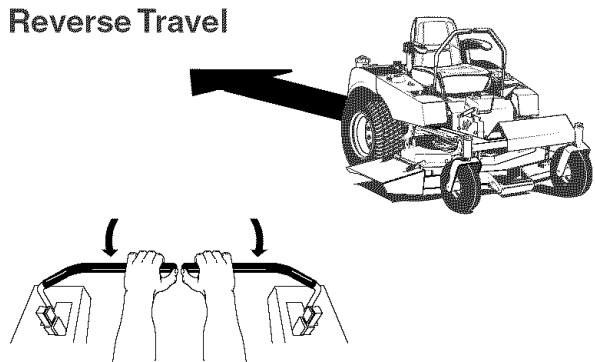


Figure 6. Reverse Travel

Practice Turning Around a Corner

While traveling forward allow one handle to gradually return back toward neutral. Practice several times before mowing.

NOTE: To prevent damaging your lawn by pivoting directly on the tire tread, it is best to keep both wheels going at least slightly forward.

Executing Turns

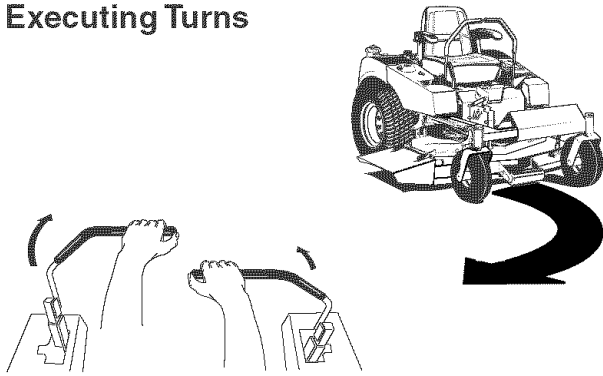


Figure 7. Right Turn

Practice Turning In Place

To “zero turn” means to turn in place. To turn in place, gradually move one ground speed control lever forward from neutral and one lever back from neutral simultaneously. Repeat several times.

Turning In Place

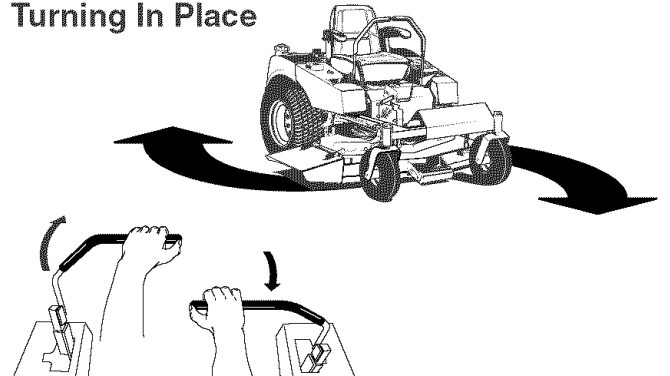


Figure 8. Turning in Place

ADVANCED DRIVING

Executing an End-Of-Row Zero Turn

Your zero turn rider’s unique ability to turn in place allows you to turn around at the end of a cutting row rather than having to stop and make a Y-turn before starting a new row.

For example, to execute a right end-of row zero turn:

1. Slow down at the end of the row.
2. Move the LEFT ground speed control lever forward slightly while moving the RIGHT ground speed control lever back to center and then slightly back from center. Be sure to keep both wheels moving to prevent turf damage.
3. Begin mowing forward again.

This technique turns the rider RIGHT and slightly overlaps the row just cut —eliminating the need to back up and re-cut missed grass.

As you become more familiar and experienced with operating the zero turn rider, you will learn more maneuvers that will make your mowing time easier and more enjoyable.

Remember, the more you practice, the better your control of the rider will be!

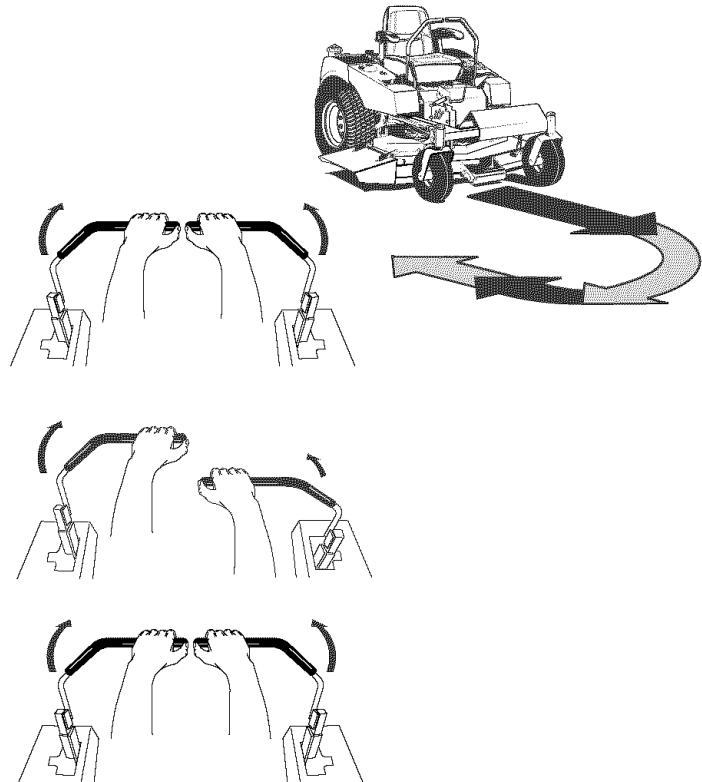


Figure 9. Executing an End-Of-Row Turn

MOWER DECK REMOVAL & INSTALLATION

NOTE: Perform mower removal and installation on a hard, level surface such as a concrete floor.

⚠ WARNING

After lowering the mower cutting height, engage parking brake, turn off the mower blades, turn the ignition switch to STOP, and remove key before attempting to install or remove the mower.

Removing the Mower Deck

1. Turn the mower blades OFF, put the ground speed control levers in START/PARK position, turn the ignition OFF, and wait for all moving parts to stop.
2. Pivot the front wheels forward.
3. Use the mower belt release lever (D, Figure 11) to release belt tension. Remove the mower belt from engine pulley (A).
4. Turn the ignition switch from OFF to RUN without starting the engine.
5. Use the mower cutting height switch to raise the mower deck.
6. Place 4x4 wood blocks (D, Figure 10) under the front and rear lip of the mower deck to securely support it.
7. Use the mower cutting height switch to fully lower the mower so that it is resting on the 4x4 wood blocks.
8. Turn the ignition switch to OFF and remove the key.
9. Remove the hair pin clip (A) securing the rear mower lift arm. Separate the lift arm from the mower deck. Repeat on both sides of the mower.
10. Remove the 3/8-16 x 3/4 carriage bolt and flange nut (B) securing the hitch rod retainer. Remove the retainer and hitch rod (C).
11. Slide the mower deck out from under the rider.

Installing the Mower Deck

1. Slide the mower deck under the right side of the rider. Slide the mower forward and hook the front hitch rod (D, Figure 10) to the front mower deck hooks.
2. Install the hitch retainer bracket (B) and secure with two 3/8-16 x 3/4 carriage bolts and flange nuts (C).
3. Slide the mower deck backwards and connect the rear lift arms to the mower deck. Secure with hair pin clips (A).
4. Insert the key into the ignition switch. Turn the switch from OFF to RUN without starting the engine.
5. Use the cutting height switch to raise the mower until it is no longer resting on the 4x4 wood blocks (E).
6. Turn the ignition switch OFF and remove the key. Remove the 4x4 blocks (E).
7. Use the mower belt release lever to release mower belt tension, and install the belt as shown in Figure 11.

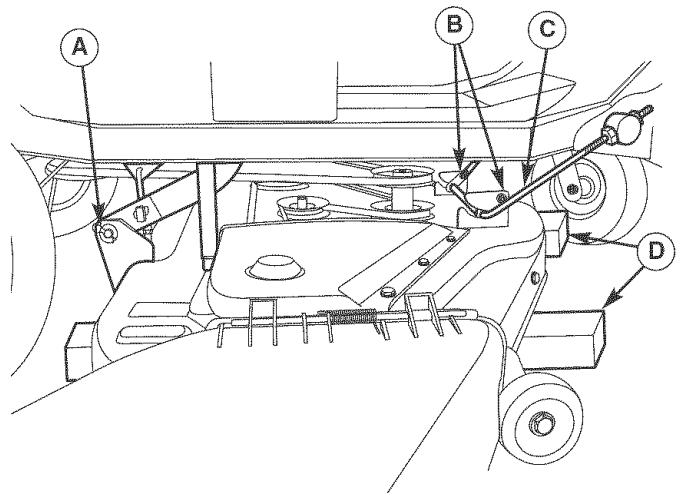


Figure 10. Mower Hitch Components

- A. Hair Pin Clip
- B. 3/8-16 x 3/4 Carriage Bolt & Flange Nut
- C. Hitch Rod
- D. 4x4 Wood Blocks

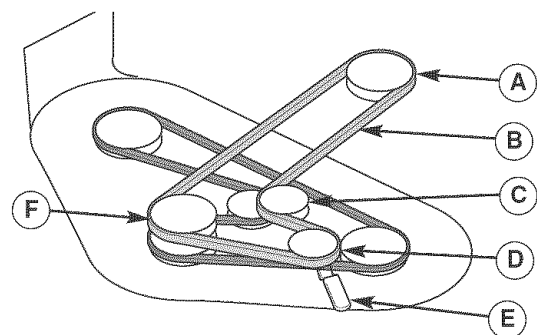


Figure 11. Mower Belt Routing

- A. Engine Pulley
- B. Mower Drive Belt
- C. Back-Side Idler Pulley
- D. V-Idler Pulley
- E. Mower Belt Release Lever
- F. Mower Drive Pulley

MAINTENANCE

MAINTENANCE SCHEDULE

The following schedules should be followed for normal care of your rider and mower.

RIDER MAINTENANCE, All Models	Before Each Use	Spring & Fall	8 Hours	25 Hours	100 Hours	200 Hours	Yearly
Clean Debris from Rider and Engine Compartment *	•						
Clean Debris from Engine Cooling Areas & Air Filter *	•						
Check Tire Pressure				•			
Lubricate Rider & Mower *				•			
Clean Deck & Check/Replace Mower Blades				•			
Clean Battery & Cables					•		
Check Rider Safety System **		•			•		•
Check / Adjust PTO Clutch						•	

ENGINE MAINTENANCE, 20HP Kohler	8 Hours or Daily	25 Hours or 2 Months	100 Hours or Annually	200 Hours or 2 Years	200 Hours	500 Hours
Check Engine Oil Level *	•					
Replace Air Filter *		•				
Change Oil & Filter *			•			
Remove Shroud, Clean Cooling Fins *			•			
Replace Fuel Filter †			•			
Check & Re-Gap / Replace Spark Plug				•		•
Service Starter Drive, Check & Adjust Valve Clearance †					•	

ENGINE MAINTENANCE, 24HP Briggs & Stratton	8 Hours or Daily	25 Hours or Every Season	50 Hours or Every Season	100 Hours or Every Season	100-400 Hours
Check Engine Oil Level *	•				
Replace Air Filter *		•			
Change Oil *			•		
Change Oil & Filter *				•	
Clean Cooling Fins *				•	
Replace Spark Plugs				•	
Replace Fuel Filter †				•	
Clean Combustion Chamber					•

* More often in hot (over 85° F: 30° C) weather or dusty operating conditions.

** Check the function of the safety system after the unit has been stored for 30 days or longer.

† These services should be performed by Sears or other qualified service dealer.

Rider Maintenance Items

⚠ WARNING

Move the ground speed levers to **START/PARK** positions, turn the mower blades **OFF**, turn the ignition switch **OFF**, and wait for all moving parts to stop before accessing the engine compartment or performing any maintenance procedures.

ACCESSING THE ENGINE COMPARTMENT

Lift up on the back edge of the seat deck to access the engine compartment.

CLEAN DEBRIS FROM RIDER AND ENGINE COMPARTMENT

Service Interval: Before each use.

CAUTION: If debris is not removed from the engine compartment and other hot surfaces, it creates a fire hazard. Before starting the unit at the beginning of the mowing session, remove any grass clippings, dirt, leaves, or other debris from the unit. Also clean out the engine compartment.

CLEAN DEBRIS FROM ENGINE COOLING AREAS AND AIR FILTER

Service Interval: Before each use.

CAUTION: If debris is not removed from the engine compartment and other hot surfaces, it creates a fire hazard. Before starting the unit at the beginning of the mowing session, lift the seat deck and clean any debris from the intake screen on top of the engine (A, Figure 13), exposed engine cooling fins, and around the air filter assembly. Also open the air filter cover (B) and remove any debris that has accumulated in the air filter compartment.

CHECK TIRE PRESSURE

Service Interval: 25 Hours.

Tire pressure should be checked periodically, and maintained at the levels shown in Figure 14. Note that these pressures may differ slightly from the “Max Inflation” stamped on the side-wall of the tires. The pressures shown provide proper traction, improve cut quality, and extend tire life.

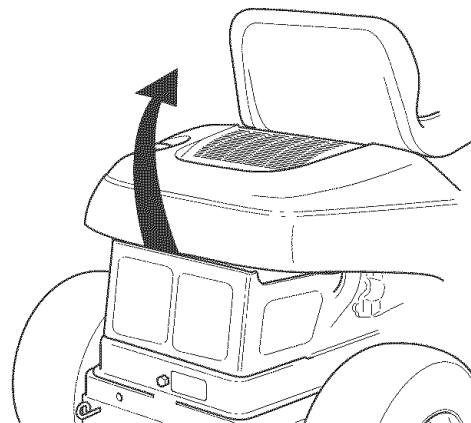


Figure 12. Accessing the Engine Compartment

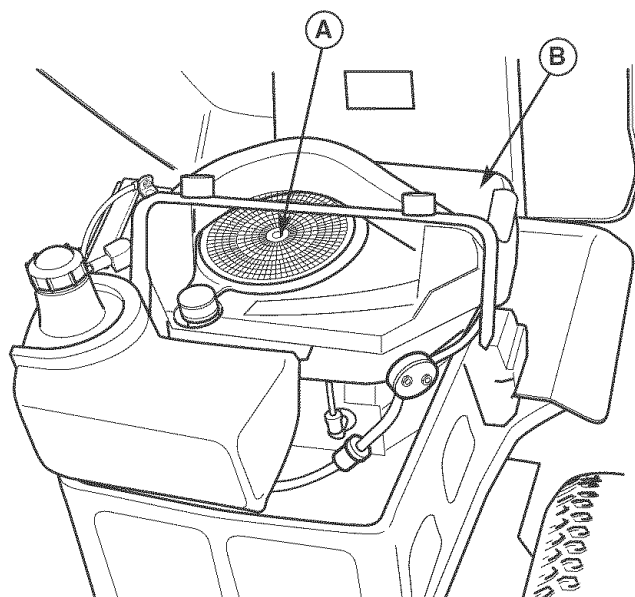
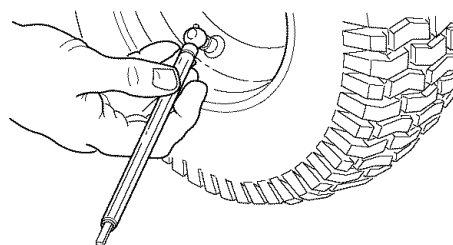


Figure 13. Engine Compartment
A. Intake Screen
B. Air Filter Cover



Tire	Pressure
Front	18-20 psi (1,24-1,38 bar)
Rear	10-12 psi (.69-.83 bar)

Figure 14. Tire Pressures

LUBRICATION

Service Interval: 25 hours.

Lubricate the unit at the locations shown in Figures 15 through 19 as well as the following lubrication points.

Grease:



- front wheel grease fittings
- front wheel bushings
- mower pivots
- mower arbors

Use grease fittings when present.

Not all greases are compatible. Use automotive-type lithium grease.

Oil:



- rear frame assembly pivot
- hydro linkage
- brake linkage
- frame pivot points
- mower deck height adjustment linkage
- brake linkage

Generally, all moving metal parts should be oiled where contact is made with other parts. Keep oil and grease off belts and pulleys. Remember to wipe fittings and surfaces clean both before and after lubrication.

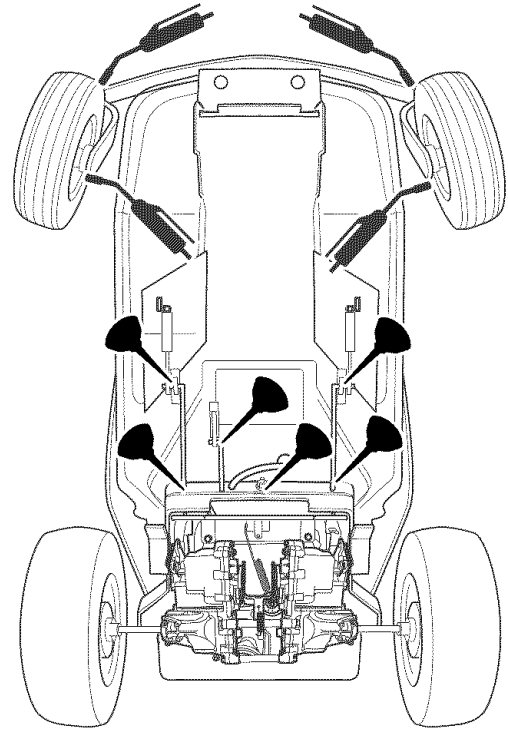


Figure 17. Lubricating Rider

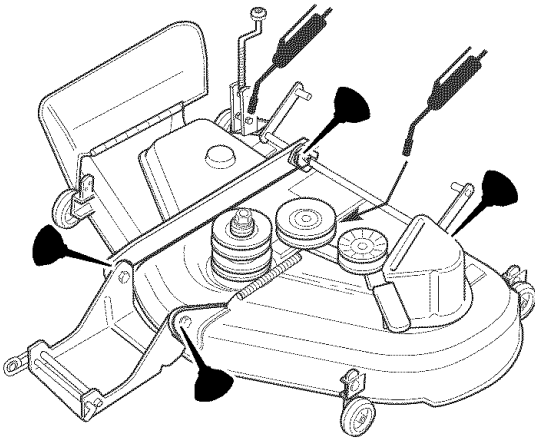


Figure 15. Mower Lubrication

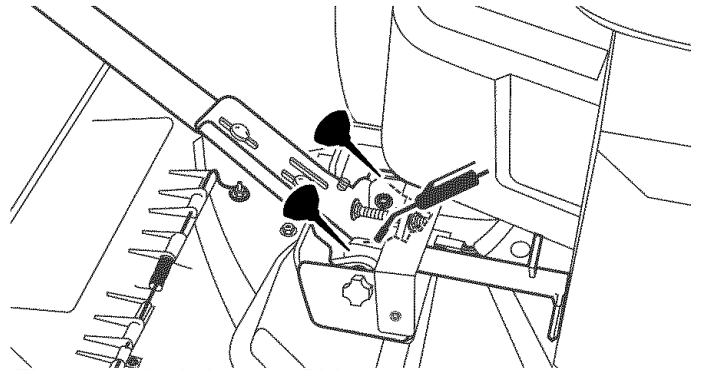


Figure 18. Lubricating Rider

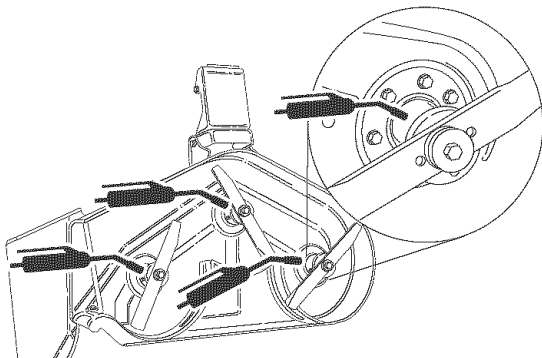


Figure 16. Arbor Lubrication

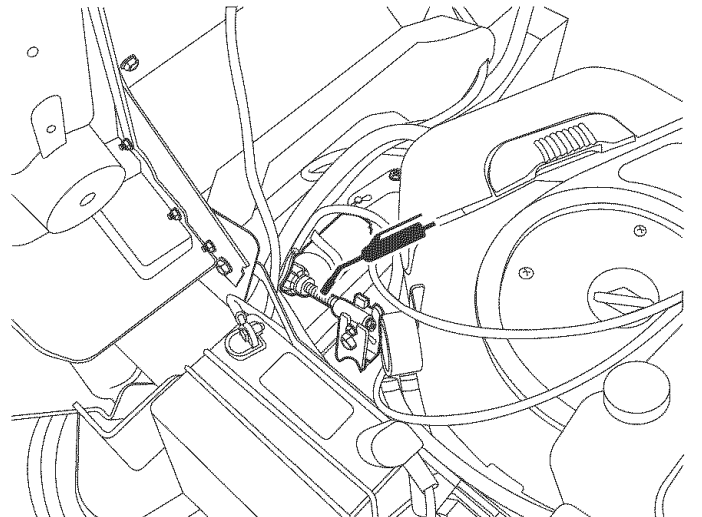


Figure 19. Lubricating Mower Lift



CLEAN DECK & CHECK / REPLACE MOWER BLADES

Service Interval: 25 hours or as required.

! WARNING

For your personal safety, do not handle the sharp mower blades with bare hands. Careless or improper handling of blades may result in serious injury.

! WARNING

For your personal safety, blade mounting capscrews must each be installed with a hex/spline washer and spring washer, then securely tightened. Torque blade mounting capscrew to 45 - 55 ft. lbs. (61 - 75 N.m.)

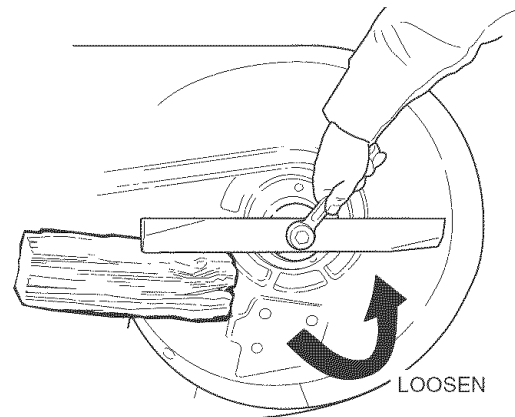


Figure 20. Blade Removal

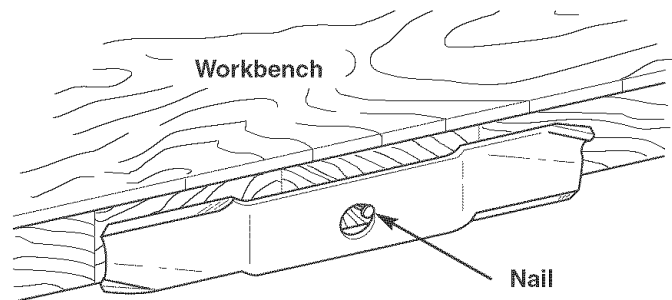


Figure 21. Balancing The Blade

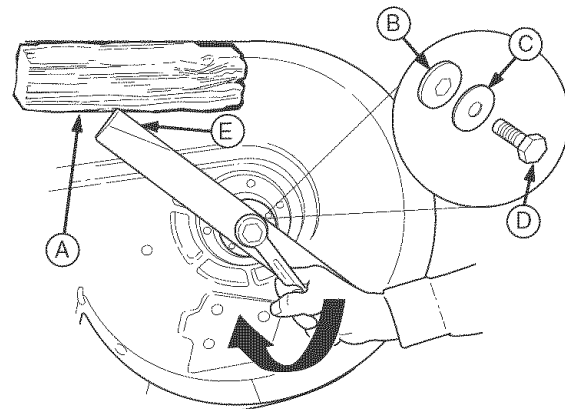


Figure 22. Blade Installation

- A. 4x4 Wood Block
- B. Hex Washer
- C. Spring Washer
- D. Blade Capscrew
- E. Lift Wings

1. Remove mower deck (see "Mower Deck Removal" in the OPERATION section).
2. See Figure 20. Remove blade to inspect it or to safely access the underside of the mower deck. Use a block of wood to prevent blade rotation while loosening the capscrew by turning it counterclockwise.
3. Remove the capscrew (D, Figure 22), spring washer (C), hex washer (B), and blade.
4. Clean the underside of the mower deck.
5. Inspect the blades for nicks or dull edges. Use a file to sharpen blade to a fine edge. If the blade is damaged, it must be replaced.
6. Balance the blade as shown in Figure 21. Center the blade's hole on a nail lubricated with a drop of oil. A balanced blade will remain level. If the blade is not balanced, continue to sharpen the heavy side until it balances.
7. Reinstall the blade with the lift wings (E, Figure 22) pointing up toward the mower deck as shown.
8. Reinstall the hex washer (B, Figure 22), spring washer (C) and capscrew (D). Use a wooden block (A) to prevent blade rotation while tightening the capscrew (D) to 45-55 ft. lbs. (61-75 N.m). Turn capscrew clockwise to tighten.

CLEANING THE BATTERY AND CABLES

Service Interval: 100 Hours

WARNING



Corrosion hazard.

Batteries contain acid. Always keep the battery upright and do not spill the electrolyte. Avoid contact with skin and eyes.



Explosion hazard.

When removing or installing battery cables, disconnect the negative cable **FIRST** and reconnect it **LAST**. If not done in this order, the positive terminal can be shorted to the frame by a tool.



Wear Protective Equipment

Always wear gloves and safety glasses when handling the battery and battery cables.

1. Disconnect the cables from the battery, negative cable first (B, Figure 23).
2. Remove the rubber strap securing the battery, and remove the battery.
3. Clean the battery and battery compartment with a solution of baking soda and water.
4. Clean the battery terminals and cable ends with a wire brush until shiny.
5. Reinstall the battery and secure with the rubber strap.
6. Reattach the battery cables: first attach the positive cable (see A, Figure 23), then attach the negative cable (B).
7. Coat the cable ends and battery terminals with petroleum jelly or non-conducting grease.

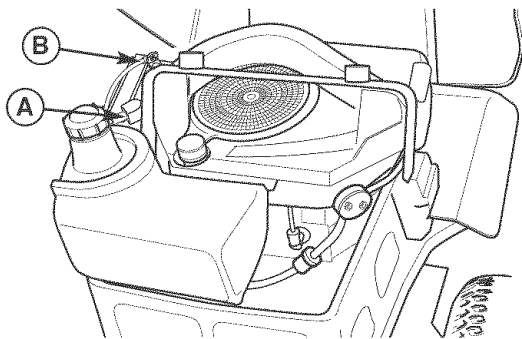


Figure 23. Engine Compartment

- A. Positive (+) Battery Cable
B. Negative (-) Battery Cable



CHECK RIDER SAFETY SYSTEM

Service Interval: Every 100 hours, every spring/fall, and after storage of 30 days or longer.

This unit is equipped with safety interlock switches. These safety systems are present for your safety. Do not attempt to bypass safety switches, and never tamper with safety devices. Check their operation regularly.

Operational SAFETY Checks

TEST 1 — ENGINE SHOULD NOT CRANK IF:

- Mower blades switch is ON, OR
- Ground speed control levers are not in their START/PARK positions.

TEST 2 — ENGINE SHOULD CRANK IF:

- Mower blade switch is OFF, AND
- Ground speed control levers are in their START/PARK positions.

TEST 3 — ENGINE SHOULD SHUT OFF IF:

- Operator rises off seat with the mower blade switch ON, OR
- Operator rises off seat with the ground speed levers in DRIVE positions, OR
- Operator moves the left ground speed control lever out of its START position while leaving the right lever in START/PARK (both levers must be moved from START to DRIVE position simultaneously to avoid shutoff).

TEST 4 — BLADE BRAKE CHECK

The mower blades and mower drive belt should come to a complete stop within five seconds after the mower blade switch is turned OFF. If mower drive belt does not stop within five seconds, contact a Sears Parts & Repair Center.

NOTE: Once the engine has stopped, the mower blade switch must be turned OFF and the ground speed control levers must be locked in their START/PARK positions in order to start the engine.

WARNING

If the unit does not pass a safety test, do not operate it. See a Sears Parts & Repair Center. Under no circumstance should you attempt to defeat the purpose of the safety interlock system.

CHECK / ADJUST PTO CLUTCH

WARNING

To avoid serious injury, perform adjustments only with engine stopped, key removed and tractor on level ground.

Service Interval: 200 Hours.

The Power Take Off (PTO) clutch drives the mower blades. The PTO clutch is engaged and disengaged by the mower blade switch. Check the PTO clutch adjustment every 200 hours of operation. Also perform the following procedure if the clutch is slipping, will not engage, or if a new clutch has been installed.

1. Remove key from ignition switch and disconnect spark plug wires to prevent the possibility of accidental starting while the PTO is being adjusted.
2. See Figure 24. Note the position of the 3 adjustment windows (A) in the side of the brake plate and the nylock adjustment nuts (B).
3. Insert a .012"-.015" (2,5-4mm) feeler gauge (C) through each window, positioning the gauge between the rotor face and the armature face as shown in Figure 25.
4. Alternately tighten the adjustment nuts (B, Figure 25) until the rotor face and armature face just contacts the gauge.
5. Check the windows for an equal amount of tension when the gauge is inserted and removed, and make any necessary adjustments by tightening or loosening the adjustment nuts.

NOTE: The actual air gap between the rotor and armature may vary even after performing the adjustment procedure. This is due to dimensional variations on component parts, and is an acceptable condition.

6. Check the mower blade stopping time. The mower blades and mower drive belt should come to a complete stop within five seconds after the electric PTO switch is turned off. If adjustment does not stop a mower braking problem, replace the electric PTO clutch.

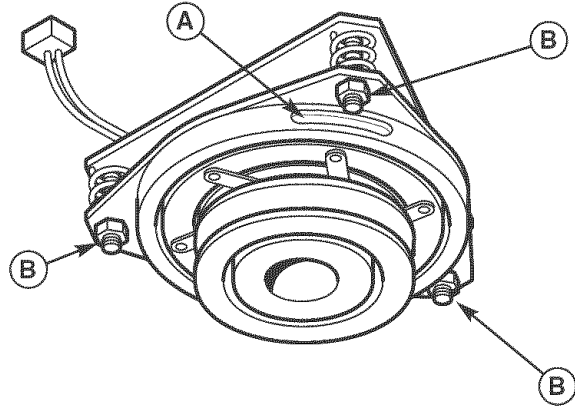


Figure 24. PTO Clutch Adjustment
A. Adjustment Window (Qty. 3, one shown)
B. Adjustment Nut

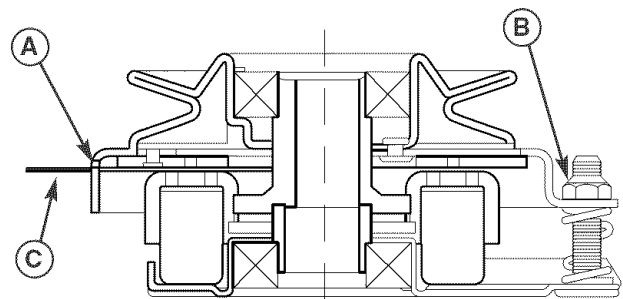


Figure 25. Adjust PTO Clutch
A. Window
B. Adjustment Nut
C. Feeler Gauge

Engine Maintenance Items

CHECK ENGINE OIL LEVEL - KOHLER MODELS

Service Interval: Before each use, and every 8 hours.

1. Turn the engine off, and set the ground speed controls to PARK. Park on a level surface. Allow the engine to cool.
2. Clean the area around the dip stick (C, Figure 27).
3. Remove the dip stick (C) and clean it with a paper towel.
4. Insert the dip stick back into the engine, and push firmly into place.
5. Remove the dip stick and read the oil level. The oil level should be between the "F" and "L" marks (D). If not, add oil according to the oil recommendations chart (Figure 26).

CHANGE ENGINE OIL & FILTER - KOHLER MODELS

Service Interval: 100 Hours.

Oil Capacity: 1.6 Quarts (1.5L) with oil filter change.

Note: Change engine oil while the engine is warm. Run the engine for a few minutes, then shut the engine off and allow it to cool.

1. Clean the area around the dip stick (C, Figure 27) and oil drain (A).
2. Remove the oil drain plug (A) and dip stick (C). Allow ample time for complete drainage.
3. Remove the oil filter (B). Discard the filter.
4. Turn the new filter upside down and fill with fresh engine oil. Allow the oil to seep into the new filter for two minutes.
5. Using a drop of oil on your finger tip, wet the rubber gasket on the bottom of the new filter.
6. Dump the oil out of the filter and install the filter on the filter base. Turn the filter clockwise until the rubber gasket meets the filter base. Then turn 2/3 to 1 full turn more.
7. Reinstall the oil drain plug (A) and route the oil drain hose along side the engine.
8. Fill the crankcase with oil. See CHECK ENGINE OIL LEVEL above.
9. Test run the engine to check for leaks. Stop the engine for 1 minute, then recheck the oil level.

Use oil classified API Service Class SG, SH, SJ or better with SAE Viscosity:

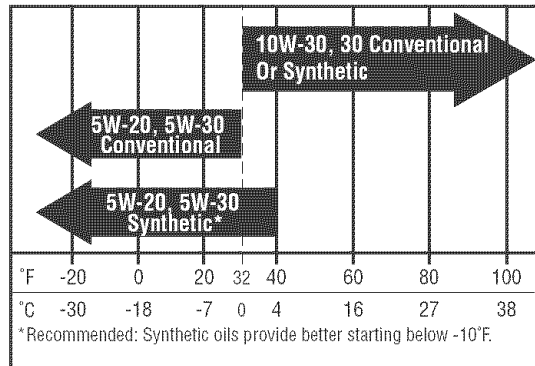


Figure 26. Recommended Engine Oil - Kohler Models

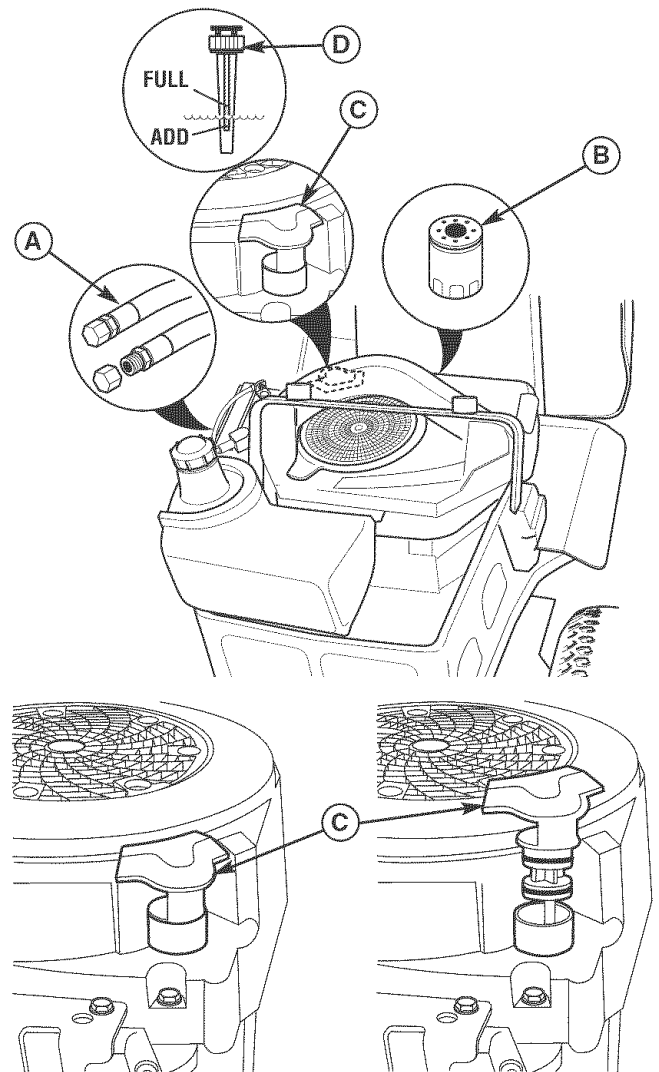


Figure 27. Oil Change - Kohler Models
 A. Oil Drain Tube
 B. Oil Filter
 C. Dip Stick
 D. Checking Oil Level



REPLACE AIR FILTER - KOHLER MODELS

Service Interval: Every 25 hours or two months, or as required.

1. Loosen the air filter cover knobs (A, Figure 28) and remove the cover (B). Clean out any debris from around the air filter. Inspect the condition of the sealing surfaces of the air filter element (C) and filter base (D). Replace any damaged parts.
2. Remove the air filter element (C).
3. Install the new air filter element with the pleated side out and seat it onto the edges of the air cleaner base (D).
4. Reinstall the air filter cover (B) and secure with the two knobs (A).



Figure 28. Air Filter Assembly - Kohler Models

- A. Air Filter Cover Knobs
- B. Cover
- C. Air Filter
- D. Base

SERVICE SPARK PLUG - KOHLER MODELS

Service Interval: Inspect and re-gap every 200 hours or two years. Replace every 500 hours or as required.

Spark Plug Gap: .030" (.76mm)

1. Stop the engine and allow it to cool.
2. Clean the area around the spark plug.
3. Remove the spark plug and inspect it. If at all damaged or worn, replace it.
4. Check the spark plug gap. The gap (new or used plug) should be .030" (see Figure 29).

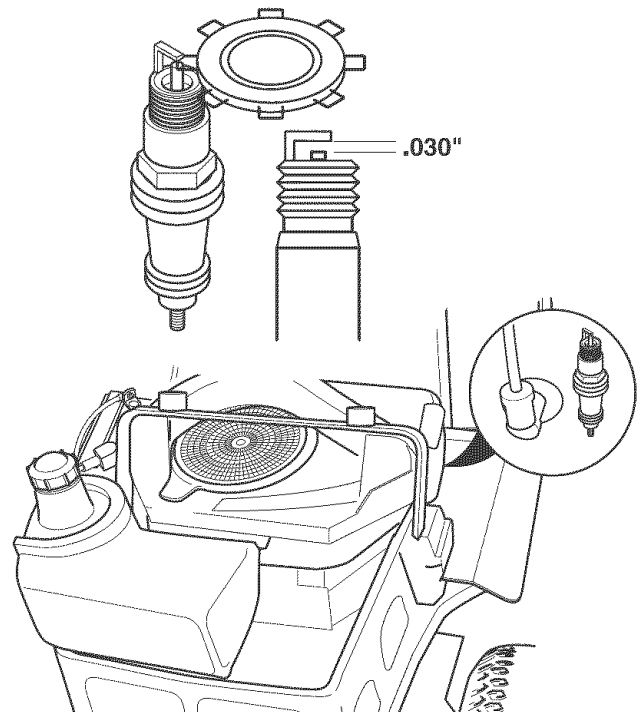


Figure 29. Spark Plug Gapping

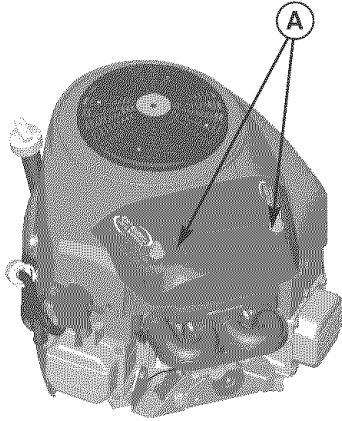


Figure 32. Air Filter Cover
A. Air Filter Cover Screws

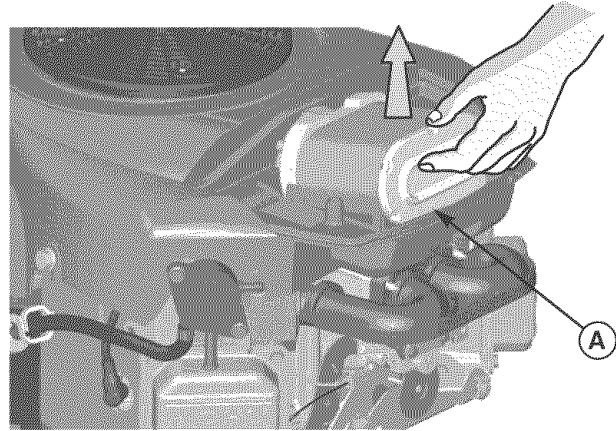


Figure 33. Air Filter Removal
A. Filter Cartridge

REPLACE AIR FILTER - BRIGGS & STRATTON MODELS

Service Interval: Every 25 hours or as required.

1. Loosen the air filter cover screws (A, Figure 32) and remove the air filter cover.
2. Locate the air filter cartridge (A, Figure 33). Pull up on the front edge of the cartridge until it snaps out of place.
3. Inspect the cartridge for dirt or damage.

If the thin foam sleeve surrounding the filter is damaged, replace the filter. **DO NOT** oil the foam sleeve or cartridge. If there is oil or heavy dirt on the cartridge, replace it.

DO NOT use pressurized air or solvents to clean the filter cartridge.

Remove any dirt from the air filter housing.

4. Replace the cartridge by aligning the hole of the cartridge with the air vent (A, Figure 34).
5. Push the cartridge in toward the engine until it snaps into place.
6. Reinstall the air filter cover and tighten the screws (A, Figure 32).

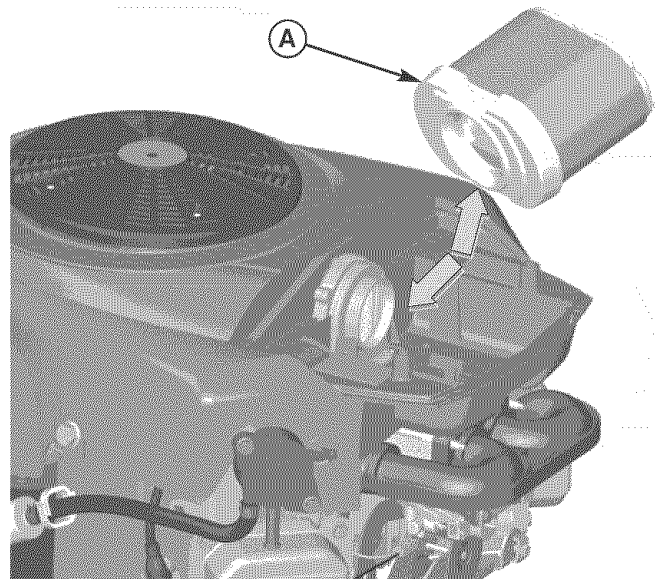


Figure 34. Air Filter Installation
A. Filter Cartridge

REPLACE SPARK PLUG - BRIGGS & STRATTON MODELS

Service Interval: Every 100 hours.

Spark Plug Gap: .030" (.76mm)

1. Stop the engine and allow it to cool.
2. Clean the area around the spark plug.
3. Remove the spark plug.
4. Check the spark plug gap. It should be .030" (see Figure 35).
5. Reinstall the plug into the cylinder head. Torque the plug to 180 in. lbs (20 N.m.).

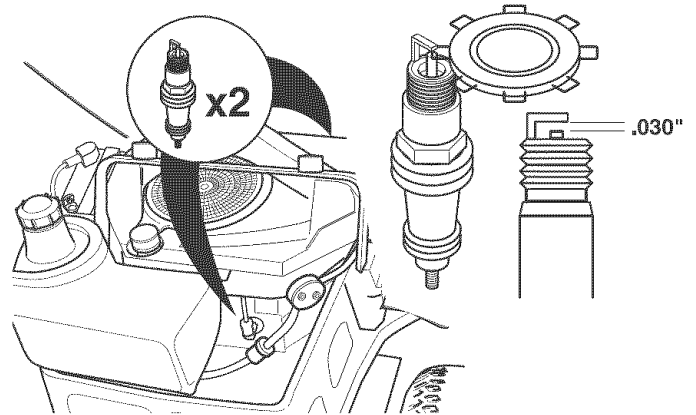


Figure 35. Spark Plug Gapping

CLEAN COMBUSTION CHAMBER - BRIGGS & STRATTON MODELS

Service Interval: 100-400 hours

In order to maintain emission compliance, we recommend that after every 100-400 hours of operation that you have an authorized Briggs & Stratton or Sears Service Center remove combustion deposits from the cylinder, cylinder head, top of piston, and around the valves.

SERVICE & ADJUSTMENTS

GROUND SPEED CONTROL LEVER ADJUSTMENT

The control levers have three adjustments:

To Adjust Control Lever Height: Pull the levers in across the operator's lap to their DRIVE positions. Loosen the mount bolts (D, Figure 36) and raise or lower the levers to the desired position. Tighten the mounting bolts.(D).

To Adjust Control Lever End Gap: The control lever end gap (C, Figure 37) should be adjusted so that the levers do not contact each other when placed in DRIVE positions. Loosen the jam nut (A, Figure 36) and adjust the length of the carriage bolt (B) so that the levers do not contact each other. Repeat on the opposite side. Tighten the jam nut (A) to lock the carriage bolt in position.

To Adjust Operator Clearance: The space between the operator and the control levers can be increase by removing the lower mounting bolt (D, Figure 36), pivoting the lever forward, and reinstalling the capscrew through the control lever and forward slot (C). Repeat with the other ground speed lever.

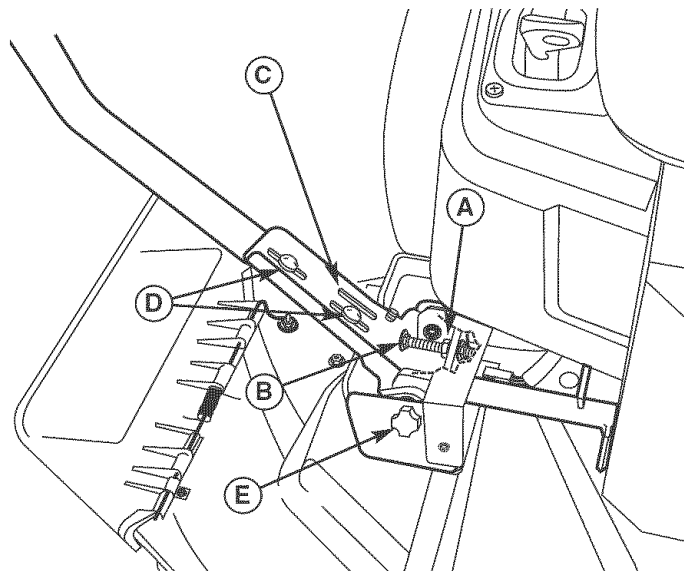


Figure 36. Control Lever Adjustment

- A. Jam Nut
- B. Carriage Bolt
- C. Forward Slot
- D. Mount Bolts
- E. Knob

SPEED BALANCING ADJUSTMENT

If the rider veers to the right or left when the ground speed control levers are in the maximum forward position, the top speed of the right lever can be balanced by turning the adjustment knob (E, Figure 36). Loosen the jam nut and turn the knob COUNTERCLOCKWISE to increase speed or CLOCKWISE to decrease speed. Tighten the jam nut when complete.

CUTTING HEIGHT ADJUSTMENT

To increase the mower cutting height (raise the mower deck), press the top of the mower cutting height switch (A, Figure 37) To decrease mower cutting height (lower the mower deck), press the bottom of the switch. Mower cutting height range is 3-3/4" to 1-1/2". The cutting height gauge indicates the position of the mower deck.. The cutting height gauge (B) is located on the front of the rider, just behind the driver's left leg.

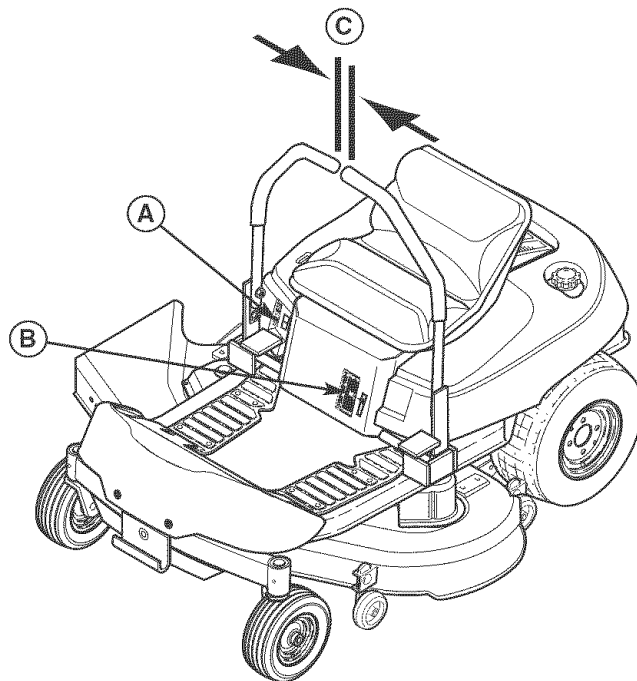


Figure 37. Cutting Height Adjustment

- A. Cutting Height Adjustment Switch
- B. Cutting Height Gauge
- C. Control Lever End Gap

PTO CLUTCH ADJUSTMENT

See CHECK / ADJUST PTO CLUTCH in the Maintenance Section.

BRAKE ADJUSTMENT

1. Stop the unit, turn the ignition OFF, set the ground speed levers to PARK positions, and wait for all moving parts to stop.
2. Locate the brake rod (A, Figure 38) and adjustment nut (B).
4. Measure the parking brake spring (E). Its compressed length, with the ground speed levers in their PARK positions should be 3" (7.62cm). Adjust the spring length by turning the adjustment nut (B), if necessary.

BATTERY CHARGING

WARNING



Corrosion hazard.

Batteries contain acid. Always keep the battery upright and do not spill the electrolyte. Avoid contact with skin and eyes.



Explosion hazard.

Changing the battery produces explosive hydrogen gas. Only charge the battery in a well ventilated area, away from any ignition source such as a water heater, electric motor, or lit cigarette.



Wear Protective Equipment

Always wear gloves and safety glasses when handling the battery and battery cables.

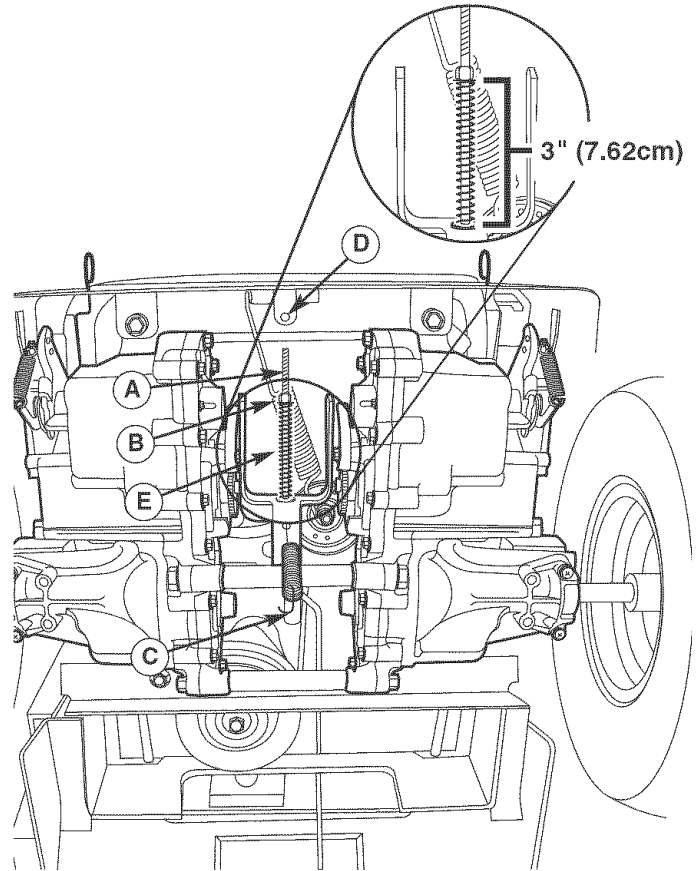


Figure 38. Brake Adjustment

- A. Brake Rod
- B. Adjustment Nut
- C. Return Spring (Removed for Illustration Only)
- D. Return Spring Hole
- E. Brake Spring

A dead battery or one too weak to start the engine may be the result of a defect in the charging system or other electrical component. If there is any doubt about the cause of the problem, contact a Sears Parts & Repair Center. If you need to replace the battery, follow the steps under Cleaning the Battery & Cables in the Regular Maintenance Section.

To charge the battery, follow the instructions provided by the battery charger manufacturer as well as all warnings included in the safety rules sections of this book. Charge the battery until fully charged (until the specific gravity of the electrolyte is 1.250 or higher and the electrolyte temperature is at least 60° F). Do not charge at a rate higher than 10 amps.

ENGINE ADJUSTMENTS

The engine is designed to deliver the correct performance under all operating conditions. Any adjustments must be performed by a Sears or other qualified service dealer.

MOWER DECK LEVELING ADJUSTMENTS

WARNING

Before adjusting the mower, turn the mower blades OFF, turn the ignition switch OFF, remove the key, and allow all moving parts to stop. Disconnect the spark plug wire and fasten it away from the spark plug.

Side to Side Leveling

If the cut is uneven, the mower may need leveling. Unequal or improper tire pressure may also cause an uneven cut. See CHECK TIRE PRESSURE.

1. With the mower installed, place the rider on a smooth, level surface such as a concrete floor. Turn the front wheels straight forward. Turn the engine off, set the ground speed control levers to PARK, and wait for all moving parts to stop.
2. Check for bent blades and replace if necessary.
3. Check the tire pressures. See CHECK TIRE PRESSURE.
4. Set the cutting height to mid position. Arrange the mower blades so that they are pointing from side-to-side (Figure 40).
5. Measure the distance between the tips of the outside blades and the ground (Figures 39 & 40). If there is more than 1/8" (3mm) difference between the measurements on each side, proceed to step 6. If the difference is 1/8" (3mm) or less, proceed to Front To Back Leveling.
6. See Figure 41. Side-to-side leveling is accomplished using the threaded rods (A) and trunnion (B) on the right and left rear sides of the mower deck. Loosen the jam nuts (C) and adjust the nuts up or down to adjust the mower level. When complete, tighten the jam nuts against the trunnion to lock the adjustment in place.

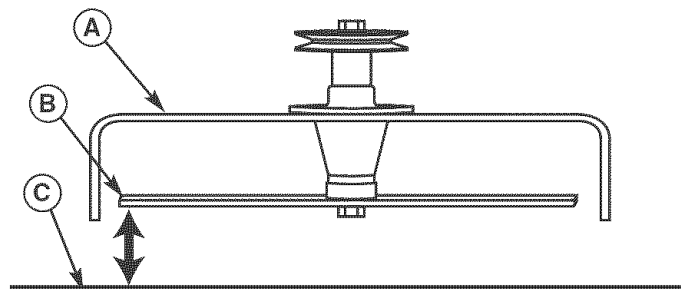


Figure 39. Measure Blade Tips to Ground

- A. Mower Deck
- B. Blade Tip
- C. Level Ground

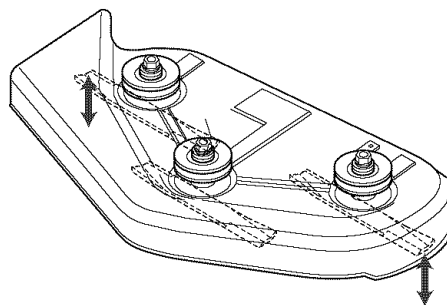


Figure 40. Orient Blades Side-to-Side

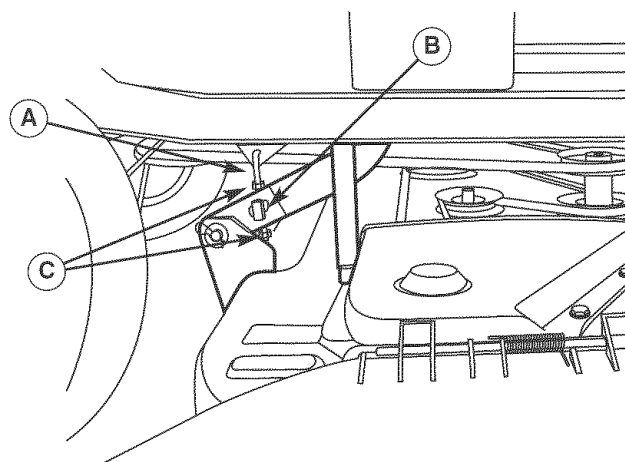


Figure 41. Side-to-Side Adjustment

- A. Threaded Rod
- B. Trunnion
- C. Jam Nuts

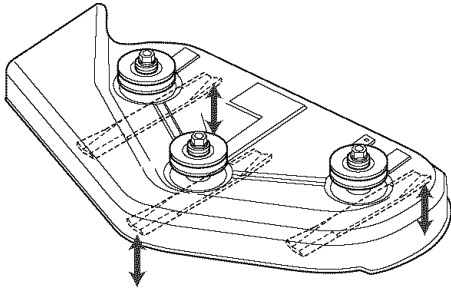


Figure 42. Orient Blades Front-to-Back

Front To Back Leveling

If the cut is uneven, the mower may need leveling. Unequal or improper tire pressure may also cause an uneven cut. See CHECK TIRE PRESSURE.

1. Turn the blades front-to-back as shown in Figure 42. Measure the distance from the ground to front tip of center blade, and from ground to rear tips of left hand and right hand blades (Figures 39 & 42). Front tips should be 1/8"-1/4" (3-6 mm) higher than rear tips. If not, proceed to step 2.
2. The front mower hitch rod (A, Figure 43) is used to adjust front-to-back leveling. To raise or lower the front of mower deck, loosen the two rear jam nuts (B) on both sides of the hitch rod (A). Adjust the front jam nuts (C) on both sides of the hitch rod (A) to adjust the deck level. When adjusted correctly, tighten the rear jam nuts (B) to lock hitch rod in place.

MOWER BELT REPLACEMENT

Mower Drive Belt Replacement

1. Park the rider on a level surface. Disengage the PTO, turn off the engine and set the ground speed control levers to PARK. Remove the key.
2. Use the idler pulley arm (K, Figure 44) to release belt tension and remove the mower drive belt (F) from the PTO pulley (G).
3. Remove the belt from the remaining deck pulleys. Note: It is not necessary to remove the mower deck.
4. Install the new belt (F) as shown in Figure 44.

Arbor Drive Belt Replacement

Contact a Sears Parts & Repair Center for replacement of the arbor drive belt (A, Figure 44).

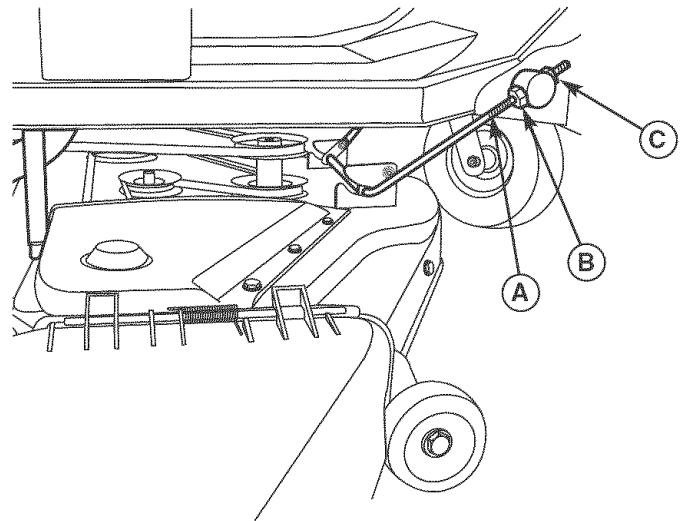


Figure 43. Front-to-Back Leveling

- A. Hitch Rod
- B. Rear Jam Nut
- C. Front Jam Nut

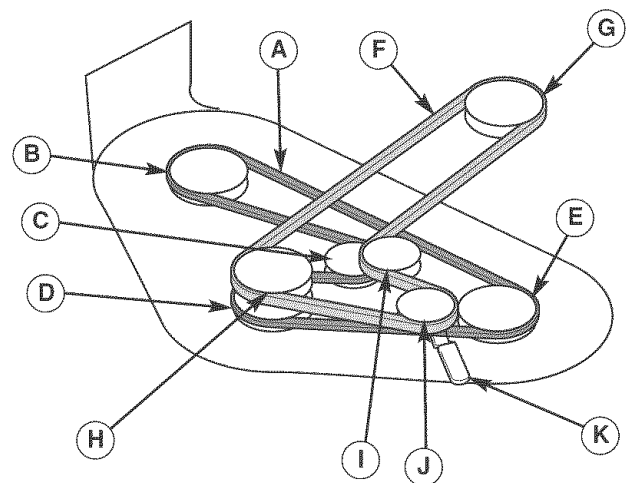


Figure 44. PTO Belt Routing

- A. Arbor Drive Belt
- B. Right Arbor Pulley
- C. Arbor Idler Pulley
- D. Center Arbor Pulley
- E. Left Arbor Pulley
- F. Mower Drive Belt
- G. Engine PTO Pulley
- H. Mower Drive Pulley
- I. Mower Idler Pulley
- J. Backside Idler Pulley
- K. Idler Pulley Arm

STORAGE

STORAGE

Before Storage

Before you store your unit for the off-season, read the Maintenance and Storage instructions in the Safety Rules section, then perform the following steps:

- Turn the mower blades OFF, set the ground speed control levers to START / PARK, & remove the key from the ignition switch.
- Check all fluid levels. Check all maintenance items.
- Battery life will be increased if it is removed, put in a cool, dry place and fully charged about once a month. If the battery is left in the unit, disconnect the negative cable.

It is important to prevent gum deposits from forming in the essential fuel system parts such as the carburetor, fuel filter, fuel line, and fuel tank during storage. Also, alcohol blended fuels (called gasohol or using ethanol or methanol) can attract moisture which leads to the separation and formation of acids during storage. Acidic gas can damage the fuel system of an engine while in storage.

WARNING

Never store the unit (with fuel) in an enclosed, poorly ventilated structure. Fuel vapors can travel to an ignition source (such as a furnace, water heater, etc.) and cause an explosion.

Fuel vapor is also toxic to humans and animals.

To avoid engine problems use fuel stabilizer, especially before storage of 30 days or longer.

After Storage

Before starting the unit after it has been stored:

- Check all fluid levels. Check all maintenance items.
- Fill with FRESH fuel.
- After starting, allow the engine to warm before operating.

SPECIFICATIONS

NOTE: Specifications are correct at time of printing and are subject to change without notice.

ENGINE:

Make	Briggs & Stratton
Model	Intek
Horsepower*	24 @ 3600 rpm*
Displacement	44.2 Cu. in (725cc)
Electrical System	12 Volt, 16 amp. Alternator, Battery: 340 CCA
Oil Capacity	64 Oz. (1.9L)

Make	Kohler
Model	SV600S
Horsepower	20 @ 3600 rpm*
Displacement	36.4 Cu. in (597 cc)
Electrical System	12 Volt, 15 amp. Alternator, Battery: 340 CCA
Oil Capacity	1.6 qt (1.5 L) w filter change

CHASSIS:

Fuel Tank	Capacity: 3.25 Gallons (12,3 L)
Rear Wheels	Tire Size: 18 x 8,5 -8 Inflation Pressure: 10-12 psi (.69-.83 bar)
Front Wheels	Tire Size: 11 x 4-5 Inflation Press.: 18-20 psi (1,24-1,30 bar)

TRANSMISSION:

Type	Hydro-Gear EZT ZC-AHBB-2A7B-1DPX
Hydraulic Fluid	20w 50 Premium Engine Oil
Continuous Torque Output	115 ft. lbs.
Maximum Weight on Axle	340 lbs

**Briggs & Stratton Models: The gross power rating for individual gas engine models is labeled in accordance with SAE (Society of Automotive Engineers) code J1940 (Small Engine Power & Torque Rating Procedure), and rating performance has been obtained and corrected in accordance with SAE J1995 (Revision 2002-05). Torque values are derived at 3060 RPM; horsepower values are derived at 3600 RPM. Actual gross engine power will be lower and is affected by, among other things, ambient operating conditions and engine-to-engine variability. Given both the wide array of products on which engines are placed and the variety of environmental issues applicable to operating the equipment, the gas engine will not develop the rated gross power when used in a given piece of power equipment (actual "on-site" or net horsepower). This difference is due to a variety of factors including, but not limited to, accessories (air cleaner, exhaust, charging, cooling, carburetor, fuel pump, etc.), application limitations, ambient operating conditions (temperature, humidity, altitude), and engine-to-engine variability. Due to manufacturing and capacity limitations, Briggs & Stratton may substitute an engine of higher rated power for this Series engine.*

TROUBLESHOOTING

While normal care and regular maintenance will extend the life of your equipment, prolonged or constant use may eventually require that service be performed to allow it to continue operating properly. The troubleshooting guide below lists the most common problems, their causes and remedies.

If you prefer, all of these procedures can be performed for you by a Sears Parts & Repair Center. See the back cover for important Sears Parts & Repair Center information.

WARNING

To avoid serious injury, perform maintenance on the rider or mower only when the engine is stopped and the ground speed levers are set to PARK.

Always remove the ignition key, disconnect the spark plug wire and fasten it away from the plug before beginning the maintenance, to prevent accidental starting of the engine.

Troubleshooting the Rider

PROBLEM	CAUSE	REMEDY
Engine will not turnover or start.	Ground speed levers not set to START/PARK.	Set to START/PARK.
	Mower blade switch in ON position.	Place in OFF position.
	Ground speed levers not set to START/PARK.	Set to START/PARK
	Choke not in CLOSED position.	Move choke to CLOSED position.
	Ignition switch not turned fully to START position.	Turn ignition switch fully to START position.
	Out of fuel.	Allow engine to cool, then refill the fuel tank.
	Engine flooded.	Set choke to OPEN position when cranking engine.
	Fuel is old or stale, or water in fuel.	Drain fuel & replace with fresh fuel. Contact Sears Parts & Repair.
	Battery terminals require cleaning.	Clean the battery terminals
	Battery discharged or dead.	Recharge or replace.
	Spark plug(s) faulty, fouled or incorrectly gapped.	Clean and gap or replace.
	Wiring loose or broken.	Visually check wiring & replace broken or frayed wires. Tighten loose connections.
	Solenoid or starter motor faulty.	Replace. Contact Sears Parts & Repair.
Safety interlock switch faulty.	Replace. Contact Sears Parts & Repair.	
Engine starts hard or runs poorly.	Air filter plugged	Service pre-cleaner and/or replace air filter element.
	Choke not set to CLOSED position when cranking the engine, OR choke not set to OPEN after engine starts.	Set choke to CLOSED when cranking. Set choke to OPEN when engine is running. A warm engine may not require choking.
	Spark plug faulty, fouled, or incorrectly gapped.	Clean and gap or replace.
Engine knocks.	Low oil level.	Check/add oil as required.
	Using wrong grade oil.	See "Change Engine Oil" in the Maintenance Section.
Excessive oil consumption	Engine running too hot.	Clean engine cooling fins, blower screen and air cleaner.
	Using wrong weight oil.	See "Change Engine Oil" in the Maintenance Section.
	Too much oil in crankcase.	Drain excess oil.
Engine exhaust is black.	Dirty air filter or pre-cleaner, or both.	Service or replace as required. See Maintenance Section.
	Choke set to CLOSED when engine is running.	Set choke to OPEN as soon as engine starts.

Engine runs, but rider will not drive.	Transmission release levers in PUSH positions.	Move levers to DRIVE positions.
	Drive belt slips.	Clean or replace belt as necessary.
	Belt is broken.	Replace drive belt. Contact Sears Parts & Repair.
	Parking brake is not fully released.	Contact Sears Parts & Repair.
Rider drive belt slips.	Pulleys or belt greasy or oily.	Clean as required.
	Belt stretched or worn.	Replace belt. Contact Sears Parts & Repair.
Parking brake will not hold.	Parking brake is incorrectly adjusted.	See Service & Adjustments Section.
Rider steers or handles poorly.	Improper tire inflation.	See Maintenance Section.
	Steering linkage is loose.	Check and tighten any loose connections.
Rider tracks to one side.	Ground speed adj. knobs not adjusted.	See SPEED BALANCING ADJUSTMENT in the Service & Adjustments section.

Troubleshooting the Mower

PROBLEM	CAUSE	REMEDY
Mower cutting height difficult to adjust.	Cutting height motor screw dirty or requires lube.	Thoroughly clean and lubricate cutting height crank with oil.
	Cutting height linkage disconnected.	Reconnect cutting height linkage
Mower cut is uneven.	Rider tires not inflated equally or properly.	See Maintenance Section.
	Mower not leveled properly.	See "Mower Leveling" in Service & Adjustments.
Mower cut is rough looking.	Engine speed too slow.	Always set throttle to FULL when mowing.
	Ground speed too fast.	Decrease ground speed.
	Blades are dull.	Sharpen or replace blades. See Maintenance Section.
	Mower drive belt slipping because it is oily or worn.	Clean or replace belt as necessary.
	Blades not properly fastened to arbors.	See "Check/Replace Mower Blades" in Maintenance Section.
Engine stalls easily with mower engaged.	Engine speed too slow.	Always set throttle to FULL when mowing.
	Ground speed too fast.	Decrease Ground Speed.
	Cutting height set too low.	Cut tall grass at maximum cutting height during first pass.
	Underside of mower deck dirty.	Remove mower deck and clean underside.
	Discharge chute jamming with cut grass.	Cut grass with discharge pointing toward previously cut area.
Excessive mower vibration.	Blade mounting bolts are loose.	Tighten to 45-55 ft. lbs. (61-75 N.m.).
	Mower blades, arbors, or pulleys are bent.	Check and replace as necessary.
	Mower blades are out of balance.	Replace or balance blades. See Maintenance Section.
	Belt installed incorrectly.	Reinstall correctly.
Mower drive belt slips or fails to drive.	Idler pulley spring broken or not properly attached.	Repair or replace as needed.
	Mower drive belt broken.	Replace drive belt.
	PTO clutch out of adjustment.	Adjust PTO clutch. See Maintenance Section.

Manual Del Dueño



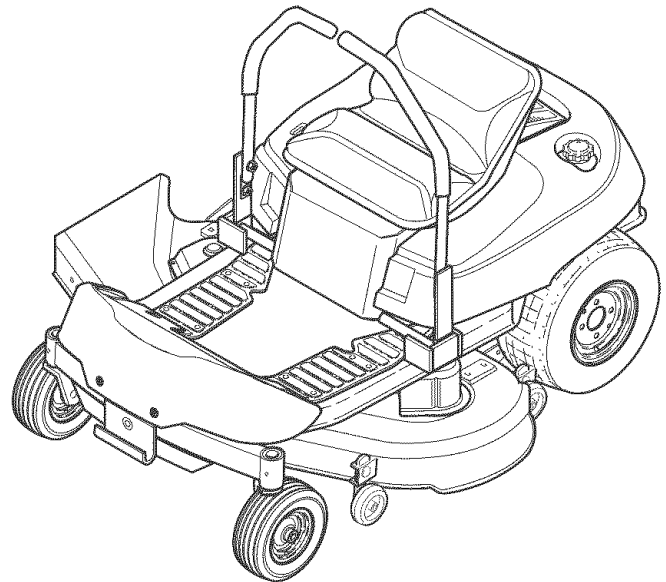
ZTS 7500

Gire a cero los montables posteriores del motor con el arranque eléctrico

No. de modelo

107.27772 (20HP Kohler con segadora de 44")

107.27774 (22HP Briggs & Stratton con segadora de 50")



PRECAUCIÓN: Este producto tiene un motor con expulsión baja el cual funciona diferentemente a otros motores. Antes que arranque el motor, lea y comprenda el Manual del Dueño.

Para obtener respuestas a cualquier pregunta sobre este producto, llame al número de teléfono-(sin cobro) siguiente:

1-800-659-5917

Servicio de ayuda Sears Craftsman
5 am - 5 pm, Lunes a Sabado

ÍNDICE

Declaración de Garantía	36	Almacenamiento.....	66
Reglas e Información de Seguridad	37	Diagnóstico	67
Números de Identificación.....	42	Partes de Refacción	PTS-1
Accesorios Opcionales.....	42	Hardware y Especificaciones del Esfuerzo de	
Contenido del Paquete de Literatura	42	Torsión	PTS-39
Pre-Operación.....	43	Repáre El Acuerdo De la	
Operación.....	44	Protección.....	Dentro De la Cubierta Trasera
Mantenimiento	51	Mantenga Los Números De	
Servicio y Ajustes.....	62	Phono	Cubierta Trasera

NOTA: En este manual, "izquierda" y "derecha" se refieren según como se vea desde la posición de operación.

GARANTÍA

GARANTÍA LIMITADA DEL EQUIPO MONTABLE DE CRAFTSMAN

Por dos (2) años a partir de la fecha de compra, si este equipo montable de Craftsman es mantenido, lubricado y afinado conforme a las instrucciones en el manual del propietario, Sears reparará o reemplazará sin costo alguno cualquier parte que se encuentre defectuosa en material o mano de obra conforme a los lineamientos de la cobertura enumerada a continuación. Sears también proporcionará mano de obra gratis por las partes garantizadas que apliquen durante estos dos años completos. Durante los primeros 30 días de compra, no habrá cargos para dar servicio al producto en su domicilio por problemas cubiertos por esta garantía. (Vea las excepciones abajo). Para su conveniencia, el servicio de garantía A DOMICILIO seguirá estando disponible después de los primeros 30 días de compra, pero habrá un cargo por el recorrido. Este cargo quedará anulado si se lleva el producto Craftsman en uno de los lugares autorizados de Sears. Para averiguar cuál es el Sears más cercano a usted, le rogamos que llame a 1-800-MY-HOME. Esta garantía aplica sólo mientras el producto esté dentro de los Estados Unidos.

ESTA GARANTÍA NO CUBRE:

- Artículos consumibles que se desgastan con el uso normal, lo que incluye, entre otros las aspas, bujías, filtros de aire, bandas y filtros de aceite.
- Servicio por mantenimiento estándar, cambios de aceite y afinaciones.
- Reemplazo o reparación de llantas causado por pinchaduras de objetos externos, como clavos, púas, troncos cortados o vidrio.
- Las reparaciones necesarias por abuso del operador, lo que incluye, entre otros, daños causados por remolcar objetos que sobrepasan las capacidades del equipo montable, impacto contra objetos que doblen el bastidor o cigüeñal o exceder la velocidad del motor.
- Las reparaciones necesarias por negligencia del operador, lo que incluye, entre otros, daños eléctricos y mecánicos causados por el almacenamiento inadecuado, no usar el grado y la cantidad adecuada de aceite para motor, no mantener la cubierta libre de despojos inflamables o no mantener el equipo conforme a las instrucciones contenidas en el manual del propietario.
- La limpieza del motor (instalación de combustible) o reparación causada por gasolina que se decide está contaminada u oxidada (viciada). En general, el combustible debe usarse en un lapso de 30 días de su fecha de compra.
- El deterioro y desgaste normal de los acabados del exterior ni el reemplazo de las etiquetas del producto.
- Cuando el equipo montable que se usa con fines comerciales o de alquiler.

GARANTÍA LIMITADA DE LA BATERÍA


Por noventa (90) días a partir de la fecha de compra, si la batería incluida con este equipo montable prueba estar defectuosa en material o mano de obra y nuestras pruebas determinan que la batería no retiene la carga; Sears reemplazará la batería sin cargos. Durante los primeros 30 días de compra, no habrá cargos para reemplazar la batería en su DOMICILIO. Después de los primeros 30 días, para su conveniencia, el servicio de garantía A DOMICILIO seguirá estando disponible, pero habrá un cargo por el recorrido. Este cargo quedará anulado si se lleva el producto Craftsman en uno de los lugares autorizados de Sears. PARA AVERIGUAR CUÁL ES EL SEARS MÁS CERCANO A USTED, LE ROGAMOS QUE LLAME A 1-800-MY-HOME. Esta garantía de la batería aplica sólo mientras el producto esté dentro de los Estados Unidos.

Esta garantía le otorga derechos legales específicos, pero es posible que usted tenga otros derechos, los cuales varían de un estado a otro.

Sears, Roebuck and Co., Dept. 817WA, Hoffman Estates, IL 60179

REGLAS DE SEGURIDAD



Lea estas reglas de seguridad y síguelas con cuidado. No obedecer estas reglas puede ocasionar la pérdida del control sobre la unidad, lesiones severas a la persona o la muerte de usted, o espectadores, o daños a la propiedad o al equipo. **Esta cubierta de la podadora es capaz de amputar manos y pies y de arrojar objetos.** El triángulo  en el texto denota precauciones o advertencias importantes que deben obedecerse.

OPERACIÓN GENERAL

1. Lea, entienda y siga todas las instrucciones en el manual y en la unidad antes de arrancar.
2. No coloque las manos o pies cerca de las partes giratorias o debajo de la máquina. Manténgase alejado de la abertura de expulsión en todo momento.
3. Sólo permita que un adulto responsable, que esté familiarizado con las instrucciones, opere la unidad (los reglamentos locales pueden restringir la edad del operador).
4. Retire del área objetos tales como piedras, juguetes, etc., que pueden ser cogidos y arrojados por las aspas.
5. Asegúrese de que el área esté libre de otra gente antes de podar el césped. Detenga la unidad si alguien entra en el área.
6. Nunca lleve pasajeros.
7. No pade el césped en reversa a menos que sea absolutamente necesario. Siempre mire hacia abajo y hacia atrás antes de echarse en reversa y mientras lo hace.
8. Nunca descargue el material directamente hacia alguien. Evite descargar el material contra una pared u obstrucción. El material puede rebotar hacia el operador. Detenga las aspas cuando cruce por superficies cubiertas de grava.
9. No opere la máquina sin el recogedor completo de hierba, guarda de descarga (deflector) ni otros dispositivos de seguridad en su lugar y operacionales.
10. Baje la velocidad antes de dar la vuelta.
11. Nunca deje la unidad operando sin supervisión. Siempre desacople las cuchillas (PTO), ponga el freno de mano, detenga el motor y quite las llaves antes de desmontar.
12. Desacople las cuchillas (PTO) cuando no esté podando el césped. Apague el motor y espere a que todas las partes se detengan por completo antes de limpiar la máquina, quitar el recolector de hierba o desatascar la guarda de la descarga.
13. Opere la máquina sólo a la luz del día o con buena luz artificial.
14. No opere la unidad si usted está bajo la influencia de alcohol o drogas.
15. Tenga cuidado con el tráfico si opera cerca de alguna calle.
16. Sea extremadamente cuidadoso al cargar o descargar la unidad en un remolque o camioneta.
17. Siempre protéjase los ojos cuando opere esta unidad.
18. Los datos indican que operadores, de 60 años y más, están involucrados en un gran porcentaje de lesiones asociadas con equipos motorizados. Estos operadores deberían evaluar su habilidad de operar el equipo con la suficiente seguridad para protegerse a sí mismos y a otros de lesiones.
19. Siga las recomendaciones del fabricante respecto a los pesos y contrapesos para llantas.
20. Recuerde que el operador es responsable de los accidentes que ocurran a otra gente o propiedad.
21. Todos los conductores deberían pedir y obtener instrucciones profesionales y prácticas.
22. Siempre use zapatos cerrados y pantalones. Nunca opere la unidad descalzo o usando sandalias.
23. Antes de su uso, siempre verifique visualmente que las cuchillas y sus aditamentos estén presentes, intactos y afilados. Reemplace las partes dañadas o desgastadas.
24. Desacople los accesorios antes de: cargar combustible, retirar un accesorio, hacer ajustes (a menos de que el ajuste pueda hacerse desde el puesto del operador).
25. Cuando la máquina está estacionada, almacenada o se deja sin supervisión, baje los medios de corte a menos de que use una traba mecánica positiva.
26. Antes de dejar el puesto del operador por cualquier razón, accione el freno de mano (si viene equipado con uno), desacople las cuchillas (PTO), detenga el motor y quite la llave.
27. Para reducir el peligro de incendio, mantenga la unidad libre de césped, hojas y aceite excesivo. No se detenga ni estacione sobre hojas secas, césped o materiales combustibles.
28. Usar u operar un motor sobre o cerca de tierras cubiertas de bosques, matorrales o césped es una violación de la Sección 4442 del Código de Recursos Públicos de California a menos que el sistema de escape esté equipado con un parachispas que cumpla con las leyes locales o estatales aplicables. Es posible que otras áreas estatales o federales tengan leyes similares.
29. Las regulaciones del OSHA pueden requerir el uso de la protección de oído cuando están expuestas a los niveles de sonido mayor DBA de 85 por un período de 8 horas.

CAUTION



Esta máquina produce niveles de sonido en el exceso de DBA 85 en el oído del operador y puede causar períodos sin embargo prolongados de la pérdida de oído de la exposición.

Protección de oído del desgaste al funcionar esta máquina.

TRANSPORTE Y ALMACENAMIENTO

1. Cuando se transporta la unidad sobre un remolque abierto, asegúrese de que mire hacia el frente, en dirección del desplazamiento. Si la unidad está mirando hacia atrás, la fuerza del aire puede dañar la unidad.
2. Siempre obedezca las prácticas seguras para cargar combustible y manejar combustible al cargar la unidad con combustible después del transporte o almacenamiento.
3. Nunca almacene la unidad (con combustible) en una estructura cerrada con poca ventilación. Los vapores del combustible pueden viajar a una fuente de ignición (como un horno, calentador de agua, etc.) y ocasionar una explosión.
4. Siempre siga las instrucciones del manual del motor respecto a las preparaciones de almacenamiento antes de almacenar la unidad ya sea por períodos cortos o largos.
5. Siempre siga las instrucciones del manual del motor respecto a los procedimientos apropiados de arranque cuando reintegre la unidad al servicio.
6. Nunca almacene la unidad ni el contenedor de combustible en un lugar cerrado, donde haya una llama abierta o piloto, como sucede con un calentador de agua. Permita que la unidad se enfríe antes de almacenarla.

OPERACIÓN EN CUESTAS

Las cuestas son un factor importante relacionado con los accidentes por pérdida de control y volcaduras, y pueden propiciar lesiones severas o la muerte. Cualquier operación en cuestas exige precauciones extremas. Si usted no puede dar marcha atrás en una cuesta o se siente inquieto en ella, no opere en ella.

No se puede recuperar el control de una máquina de empujar o montable que se desliza por una cuesta accionando el freno. Las principales razones de pérdida de control son: agarre insuficiente de las llantas en la tierra, velocidad demasiado alta, frenado inadecuado, el tipo de máquina es inadecuada para la labor, falta de conocimiento sobre las condiciones de la tierra, enganche y distribución de la carga incorrectos.

1. Pude el césped de la cuesta de arriba hacia abajo y viceversa, no de un lado al otro.
2. Tenga con cuidado con los baches, raíces o topes. Un terreno accidentado puede volcar la unidad. El césped alto puede ocultar obstáculos.
3. Opte por una velocidad lenta de modo que no tenga que detenerse o cambiar de velocidad mientras esté en la cuesta.
4. No pude césped mojado. Las llantas pueden perder la tracción.
5. Evite arrancar, detenerse o dar la vuelta sobre una cuesta. Si las llantas pierden tracción (es decir, la máquina detiene el movimiento hacia adelante en una cuesta), desacople las cuchillas (PTO) y conduzca lentamente hasta salir de la cuesta.
6. Mantenga todos los movimientos en la cuesta lentos y graduales. No haga cambios bruscos de velocidad o dirección, pues esto podría hacer que se vuelque la máquina.
7. Extreme precauciones mientras opere máquinas con recolectores de hierba u otros accesorios; éstos pueden afectar la estabilidad de la unidad. No los use en cuestas pronunciadas.
8. No intente estabilizar la máquina poniendo el pie en el piso (en unidades montables).
9. No pude el césped cerca de barrancos, zanjas o diques. La podadora podría volcarse repentinamente si una llanta cae por la orilla de un acantilado o zanja o si se derrumba una orilla.
10. No use los recolectores de hierba en cuestas pronunciadas.
11. No pude el césped en cuestas en las cuales no pueda dar marcha atrás.
12. Consulte con su distribuidor o concesionario autorizado respecto a recomendaciones sobre pesos o contrapesos para llantas para mejorar la estabilidad.
13. Quite obstáculos tales como piedras, ramas de árboles, etc.
14. Use la velocidad lenta. Las llantas pueden perder la tracción en las cuestas aun cuando los frenos funcionan debidamente.
15. No dé vuelta en una cuesta a menos de que sea necesario, y entonces, gire lenta y gradualmente cuesta arriba, si es posible. Nunca pude el césped cuesta abajo.

EQUIPO REMOLCADO (UNIDADES MONTABLES)

1. Solamente remolque aquellas máquinas que tienen un enganche diseñado para remolcar. No enganche el equipo remolcado excepto en el punto del enganche.
2. Siga las recomendaciones del fabricante respecto al límite de peso para el equipo remolcado y el declive de remolcado. Vea engancher un remolque en la sección de OPERACIÓN.
3. Nunca permita que los niños u otros se suban o metan al equipo remolcado.

ADVERTENCIA

Nunca opere en cuestas mayores a 17.6 por ciento (10°) lo cual es una inclinación de 3 1/2 pies (106 cm) verticalmente en 20 pies (607 cm) horizontalmente

Opte por una velocidad lenta antes de subir la cuesta. Extreme precauciones al opere en cuestas con un recolector de césped montado en la parte trasera.

Pude el césped de la cuesta de arriba hacia abajo y viceversa, no de un lado al otro. Extreme precauciones al cambiar de dirección y **NO ARRANQUE NI SE DETENGA EN LA CUESTA.**

4. En las cuestas, el peso del equipo remolcado puede ocasionar pérdida de tracción y pérdida de control.
5. Trasládese lentamente y conceda una distancia adicional para frenar.
6. No cambie a neutral para deslizarse cuesta abajo.

NIÑOS

Pueden ocurrir accidentes trágicos si el operador no está alerta a la presencia de niños. Los niños con frecuencia se ven atraídos por la unidad y la poda de césped. Nunca suponga que los niños se quedarán donde usted los vio la última vez.

1. Mantenga a los niños lejos del área de poda del césped y bajo el cuidado atento de otro adulto responsable.
2. Esté alerta y apague la unidad si los niños entran al área.
3. Antes y durante la operación en reversa, mire hacia atrás y abajo por si hay niños pequeños.
4. Nunca lleve niños, ni siquiera con las cuchillas apagadas. Éstos pueden caerse y salir gravemente heridos o interferir con la operación segura de la unidad. Los niños que recibieron un paseo anteriormente pueden aparecer repentinamente en el área de poda del césped para que les den otro paseo y ser atropellados por la máquina.
5. Nunca permita que un niño opere la unidad.
6. Extreme precauciones cuando se acerque a esquinas fuera de su ángulo de visión, arbustos, árboles u otros objetos que pueden obstruir la visión.

EMISIONES

1. Se descubrió que las emisiones del motor de este producto contienen químicos que, en ciertas cantidades, causan cáncer, defectos de nacimiento u otros daños reproductivos.
2. Busque la información relevante sobre el Período de Durabilidad de las Emisiones e Índice del Aire en las etiquetas de emisiones del motor.

SISTEMA DE ENCENDIDO

1. Este sistema de encendido por chispa cumple con ICES-002 de Canadá.

SERVICIO Y MANTENIMIENTO

Manejo Seguro de la Gasolina

1. Apague cigarrillos, puros, pipas y otras fuentes de ignición.
2. Use sólo los contenedores aprobados para gasolina.
3. Nunca quite el tapón de la gasolina ni cargue combustible con el motor encendido. Permita que el motor se enfríe antes de poner combustible.
4. Nunca cargue combustible para la máquina en espacios cerrados.
5. Nunca almacene la máquina ni el contenedor de combustible donde haya una llama abierta, chispa o piloto, como cerca de un calentador de agua u otro dispositivo.
6. Nunca llene los contenedores dentro de un vehículo o en la caja de una camioneta con cobertor de plátón de plástico. Siempre coloque los contenedores en el piso, lejos de su vehículo antes del relleno.
7. Retire el equipo accionado por gasolina de la camioneta o remolque y cargue el combustible estando el equipo en el piso. Si esto no es posible, entonces cargue el combustible en el equipo colocado en el remolque con un contenedor portátil, en vez de usar un dispensador de gasolina.
8. Mantenga el dispensador en contacto con la orilla del tanque de gasolina o con la abertura del contenedor en todo momento hasta que termine de cargar combustible. No use un dispensador con un dispositivo de cerrado y abierto.
9. Si derrama combustible sobre la ropa, cámbiese de ropa de inmediato.
10. Nunca llene demasiado el tanque de gasolina. Coloque nuevamente el tapón de la gasolina y apriételo fijamente.
11. Extreme precauciones en el manejo de la gasolina y otros combustibles. Son inflamables y los vapores son explosivos.
12. Si se derrama combustible, no intente arrancar el motor sino más bien mueva la máquina lejos del área de derrame y evite crear cualquier fuente de ignición hasta que se hayan disipado los vapores del combustible.
13. Vuelva a colocar fijamente las tapas del tanque de gasolina y las tapas del contenedor del combustible.

Servicio y Mantenimiento

1. Nunca ponga en marcha la unidad en un área cerrada donde se pueden acumular los gases del monóxido de carbono.
2. Mantenga apretadas las tuercas y pernos, en especial los pernos de ajuste para las cuchillas, y mantenga el equipo en buenas condiciones.
3. Nunca manipule los dispositivos de seguridad. Verifique su operación adecuada con regularidad y asegúrese de hacer las reparaciones necesarias si no funcionan debidamente.
4. Mantenga la unidad libre de césped, hojas u otra acumulación de despojos. Limpie derrames de aceite o combustible y quite cualquier despojo impregnado de combustible. Siempre permita que su máquina se enfríe antes de almacenarla.
5. Detenga e inspeccione la máquina, si pega contra un objeto. Repare, si es necesario, antes de volver a arrancar.
6. Nunca haga ajustes ni reparaciones con el motor encendido.
7. Verifique los componentes del recolector de hierba y la guarda de la descarga con frecuencia y reemplácelos con las partes recomendadas por el fabricante, cuando sea necesario.
8. Las cuchillas de la podadora están afiladas. Envuelva las cuchillas o utilice guantes, y extreme precauciones cuando les dé mantenimiento.
9. Verifique la operación de los frenos con frecuencia. Ajuste y dé mantenimiento según se requiera.
10. Mantenga o reemplace las etiquetas de seguridad y de instrucciones según sea necesario.
11. No quite el filtro de la gasolina cuando el motor está caliente ya que la gasolina que se derrame se puede incen-

diar. No extienda las abrazaderas de la tubería del combustible más allá de lo necesario. Asegúrese de que las abrazaderas agarren firmemente la manguera sobre el filtro después de la instalación.

12. No use gasolina que contenga METANOL, gasohol con más del 10% de ETANOL, aditivos para gasolina ni gas blanco porque podría ocasionar daños al motor o a la instalación del combustible.
13. Si debe drenar el tanque de gasolina, debe hacerlo al aire libre.
14. Reemplace los silenciadores/mofles defectuosos.
15. Mantenga o reemplace las etiquetas de seguridad y de instrucciones según sea necesario.
16. Use sólo las partes de repuesto autorizadas de fábrica al reparar la unidad.
17. Siempre acate las especificaciones de fábrica respecto a todas las disposiciones y ajustes.
18. Sólo acuda a lugares autorizados de servicio si requiere de servicio y reparaciones mayores.
19. Nunca intente hacer reparaciones mayores en esta unidad a menos que tenga la preparación para ello. Los procedimientos inadecuados de mantenimiento pueden ocasionar peligros en la operación, daños al equipo y anulación de la garantía del fabricante.
20. En las podadoras con cuchillas múltiples, tenga cuidado ya que hacer girar una cuchilla puede hacer que otras cuchillas también giren.
21. No cambie el limitador de velocidad del motor ni acelere demasiado el motor. Operar el motor a una velocidad excesiva puede aumentar los peligros de lesiones a la persona.
22. Desacople los accesorios de conducción, detenga el motor, quite la llave y desconecte el cable de la bujía antes de: desatorar obstrucciones en accesorios y tolvas, dar mantenimiento a la unidad, pegarle a un objeto o si la unidad vibra de modo anormal. Después de pegarle a un objeto, inspeccione la máquina para ver si fue dañada y haga las reparaciones antes de volver a arrancar y operar el equipo.
23. Nunca coloque sus manos cerca de las partes en movimiento, como el ventilador de enfriamiento de la bomba hidráulica, cuando la unidad está encendida. (Los ventiladores de enfriamiento de las bombas hidráulicas normalmente se encuentran arriba del transeje).
24. Las unidades con bombas hidráulicas, mangueras o motores: **ADVERTENCIA:** El fluido hidráulico que se fuga bajo presión tiene la suficiente fuerza para penetrar la piel y ocasionar lesiones graves. Si se inyecta un fluido extraño bajo la piel, un médico familiar con esta forma de lesión debe sustraerlo quirúrgicamente en el lapso de unas cuantas horas o puede acabar en gangrena. Mantenga el cuerpo y las manos lejos de los orificios de regulación o inyector que expulsan fluido hidráulico bajo alta presión. Use papel o cartón, y no las manos, para buscar fugas. Asegúrese de que todas las conexiones del fluido hidráulico están fijadas y que todas las mangueras y líneas hidráulicas estén en buenas condiciones antes de ejercer presión sobre el sistema. Si hay fugas, mande la unidad de inmediato a mantenimiento con su distribuidor autorizado.
25. **ADVERTENCIA:** Aparato eléctrico almacenado. El desenganche indebido de resortes puede ocasionar lesiones graves a la persona. Los resortes deben ser quitados por un técnico autorizado.
26. Modelos equipados con un radiador para motor: **ADVERTENCIA:** Aparato eléctrico almacenado. Para evitar lesiones graves al cuerpo por líquido refrigerante caliente o erupción de vapor, nunca intente quitar la tapa del radiador mientras el motor está encendido. Detenga el motor y espere hasta que haya enfriado un poco. Incluso entonces, extreme precauciones al quitar la tapa.

CALCOMANÍAS DE SEGURIDAD Y OPERACIÓN

Esta unidad fue diseñada y fabricada para ofrecerle la seguridad y confiabilidad que usted esperaría de un líder en la industria de la fabricación de equipos motorizados para el exterior.

Aunque leer este manual y las medidas de seguridad que contiene le proporcionará el conocimiento básico necesario para operar este equipo sin percances y eficazmente, hemos colocado varias etiquetas de seguridad en la unidad para recordarle esta importante información mientras usted opera su unidad.

Debe leer cuidadosamente y acatar todos los mensajes de PELIGRO, ADVERTENCIA, PRECAUCIÓN y de instrucciones en su tractor y podadora. No seguir las instrucciones puede resultar en lesiones personales al cuerpo. ¡La información es para su seguridad y es importante! Las calcomanías de seguridad abajo están sobre su tractor y podadora.

Si pierde o se daña alguna de estas calcomanías, reemplácelas inmediatamente. Póngase en contacto con un Centro de Partes y Servicio de Sears para obtener reposiciones.

Estas etiquetas son fáciles de aplicar y fungirán como constantes recordatorios visuales para usted, y otros que puedan llegar a usar el equipo, para que sigan las medidas de seguridad necesarias para una operación eficaz y sin percances.

Calcomanía - Peligro de amputación y objetos arrojados
No. de pieza : 1704277



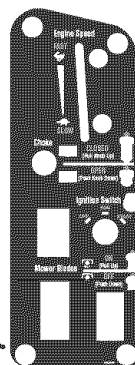
Calcomanía - Palanca de velocidad de avance
No. de pieza : 1734271



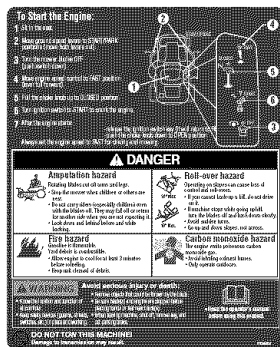
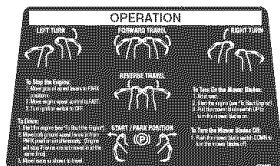
Calcomanía - Ajuste de altura de corte
No. de pieza : 1734276



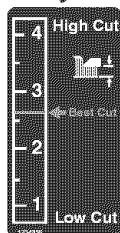
Calcomanía - Panel de control
No. de pieza : 1734272



Calcomanía - Operación, superior
No. de pieza : 1734236



Calcomanía - Operación, inferior
No. de pieza : 1734207



Calcomanía - Indicador de altura de corte
No. de pieza : 1733458

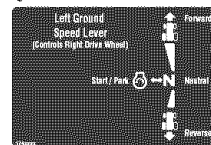


Calcomanía - Peligro de amputación
No. de pieza : 1704276

Calcomanía - Superficies calientes
No. de pieza : 1734273
(Ubicado en costado derecho)



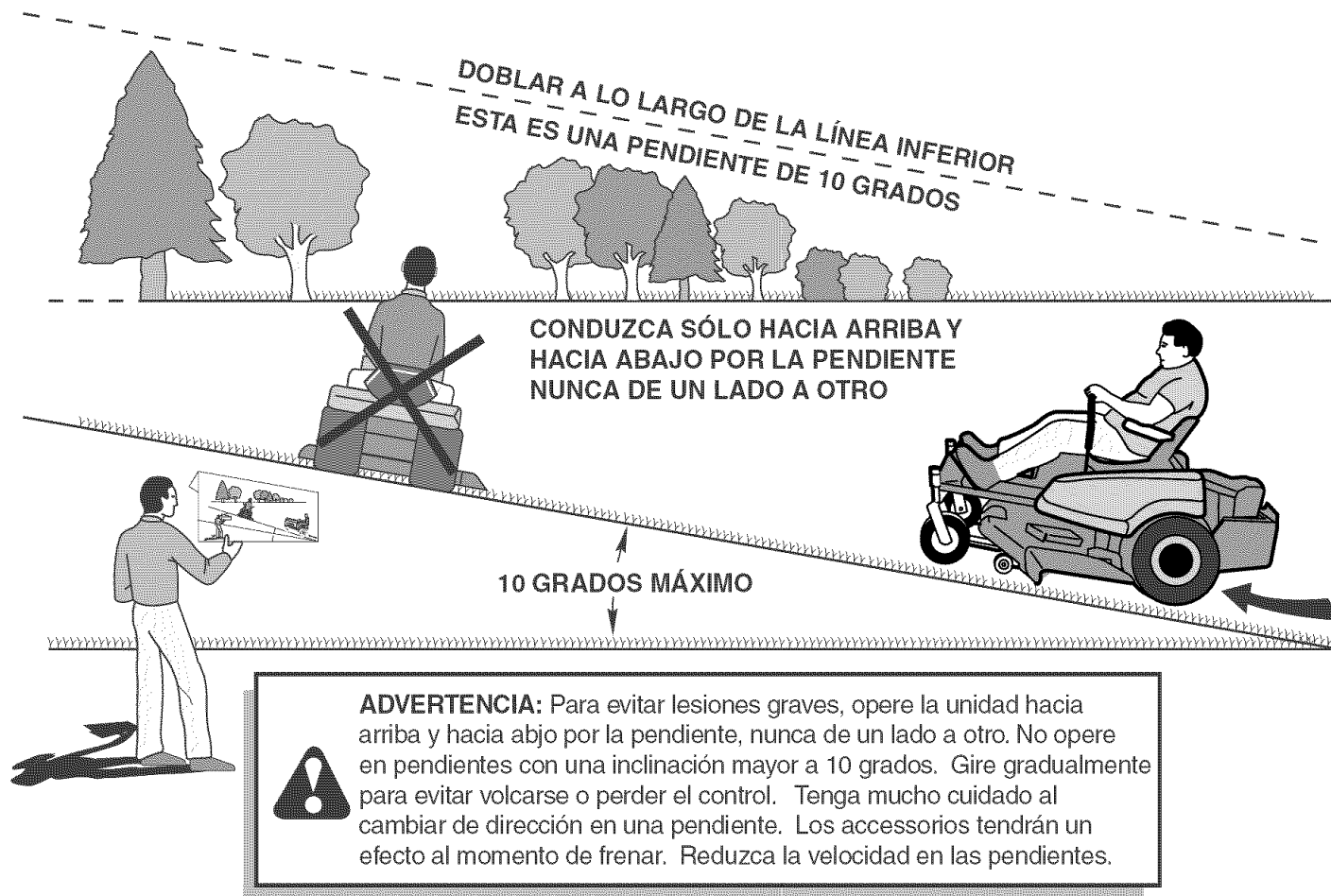
Calcomanía - Desembrague de la transmisión
No. de pieza : 1720543
(Ubicado en el bastidor posterior)



Calcomanía - Palanca de velocidad de avance
No. de pieza : 1734270

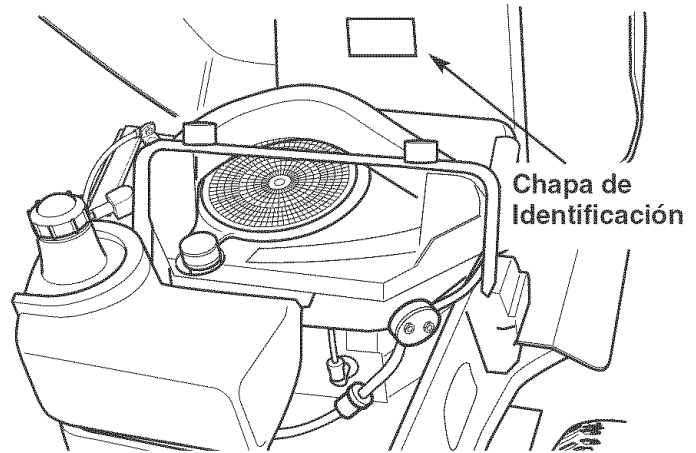
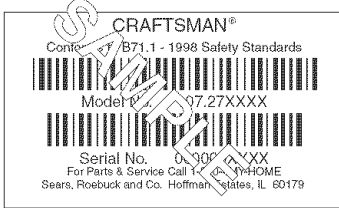


GUÍA SUGERIDA PARA EL AVISTAMIENTO DE PENDIENTES PARA UNA OPERACIÓN SEGURA DEL MONTABLE CON ACCESORIO



1. Doble la página a lo largo de la línea punteada como se indica arriba.
2. Sostenga la página frente a usted de modo que el borde izquierdo esté verticalmente paralelo al tronco de un árbol u otra estructura vertical.
3. Mire por encima del doblé en dirección de la pendiente que desea medir.
4. Compare el ángulo del doblé con la pendiente de la colina.

NÚMEROS DE IDENTIFICACIÓN



Cuando se ponga en contacto con el centro de servicio para obtener partes de repuesto, servicio o información usted **DEBERÁ** proporcionar estos números.

Anote el nombre/número del modelo, números de identificación del fabricante y los números de serie del motor en el espacio provisto para su fácil acceso.

La chapa de identificación se encuentra en la cara inferior de la cubierta del asiento. Incline la tapa del asiento hacia adelante para ganar acceso a la chapa de identificación.

Para obtener respuestas a sus preguntas sobre el producto, llame al: 1-800-659-5917

Servicio Telefónico de Asistencia de Sears Craftsman, 5 am - 5 pm, Lunes - Sábado.

DATOS DE REFERENCIA DEL PRODUCTO

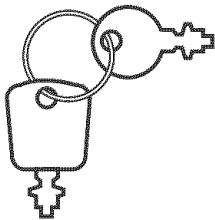
Nombre/Número de Descripción del Modelo	
Número de INVENTARIO	Número de SERIE de la Unidad
Fecha de Compra	
DATOS DE REFERENCIA DEL MOTOR	
Marca del Motor	Modelo del Motor
Tipo/Espec del Motor	Código/Número de Serie del Motor

ACCESORIOS OPCIONALES

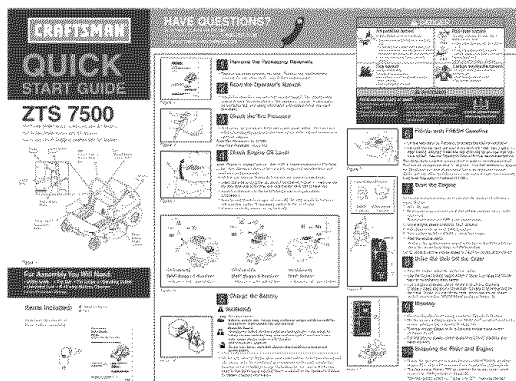
- Recolector de Hierba con Bolsa Gemela
- Faro delantero

CONTENIDO DEL PAQUETE DE LITERATURA

Llaves

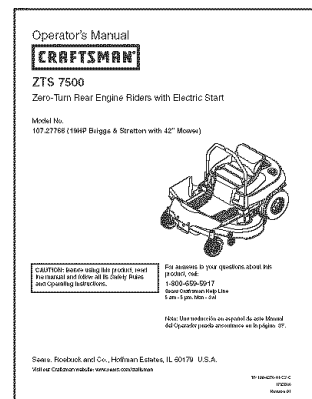


Instrucciones de Disposición - Inglés



Instrucciones de Disposición - Español

Manual del Operador y Libro de Partes - Inglés/Español



PRE-OPERACIÓN

Retirar los Materiales de Empaque

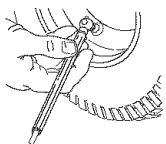


Quite el cartón del cajón de embalaje. Quite el encintado de acero que sujeta la unidad al cajón de embalaje. Ubique el paquete del manual.

Leer el Manual del Operador

Ubique el manual del operador en el paquete del manual. Lea siempre el manual del operador y siga las instrucciones ahí incluidas. En este importante documento hay información sobre el debido cuidado, consejos de rendimiento y seguridad.

Revisar la Presión de las Llantas

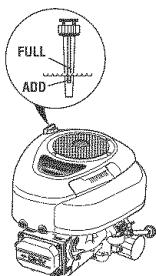


Reduzca la presión de las llantas a la presión mostrada a continuación. Las llantas se inflan demasiado para el embarque y deben ponerse a la presión correcta para que tengan una tracción óptima.

Presión de llanta trasera: 10-12 PSI

Presión de llanta delantera: 18-20 PSI

Revisar el Nivel de Aceite del Motor



Nota: El motor es enviado con aceite. Agregue aceite para motor 10W-30 premium si el nivel de aceite es bajo. Vea MANTENIMIENTO para obtener las especificaciones y requisitos de mantenimiento completos para el aceite de motor.

Levante el asiento (Figura 12) para ganar acceso al compartimiento del motor.

Limpie la zona alrededor de la varilla medidora de aceite y del tubo para llenado de aceite.

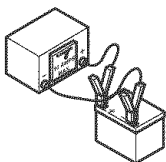
Quite la varilla medidora de aceite del tubo para llenado de aceite y limpie la varilla con un trapo limpio.

Introduzca la varilla medidora de aceite en el tubo para llenado de aceite (gire y empuje hasta abajo).

Sáquela y revise el nivel de aceite del motor. El nivel de aceite debe estar entre las marcas Full (lleno) y Add (agregar). De ser necesario, agregue aceite por el tubo para llenado de aceite.

Vuelva a poner la varilla medidora de aceite y fíjela.

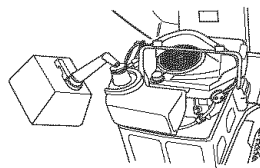
Cargar la Batería



Levante el asiento para ganar acceso a la batería. Si la unidad se envía a servicio después del mes y año indicados en la fecha señalada en la batería (en la parte superior de la misma), cargue la batería por una hora a 6-10 amps.

Consulte la sección SERVICIO Y AJUSTES de este manual respecto a la información de carga de la batería.

Llenar con Gasolina FRESCA



Levante el asiento para ganar acceso al tapón de la gasolina y al tanque.

Quite el tapón del tanque y llene el tanque con combustible fresco. Después de llenar el tanque,

instale fijamente el tapón y limpie el combustible derramado. Vea el Manual del operador para obtener las recomendaciones para el combustible.

El problema más común en las reparaciones es el combustible viciado o contaminado. El combustible no debe tener más de 30 días. Use un estabilizador de combustible para extender la vida de su combustible y siempre almacene el combustible en un envase plástico aprobado y sellado para gasolina. La limpieza interior por combustible viciado no está amparada por su garantía.

Capacidad del Tanque de Combustible: 3 galones (11.36L)

Arrancar el Motor y Conducir la Unidad Fuera del Cajón de Embalaje

Consulte las secciones ARRANCAR EL MOTOR y PRÁCTICA DE MANEJO de este manual para obtener información sobre arrancar la unidad y conducirla fuera del cajón de embalaje.

OPERACIÓN

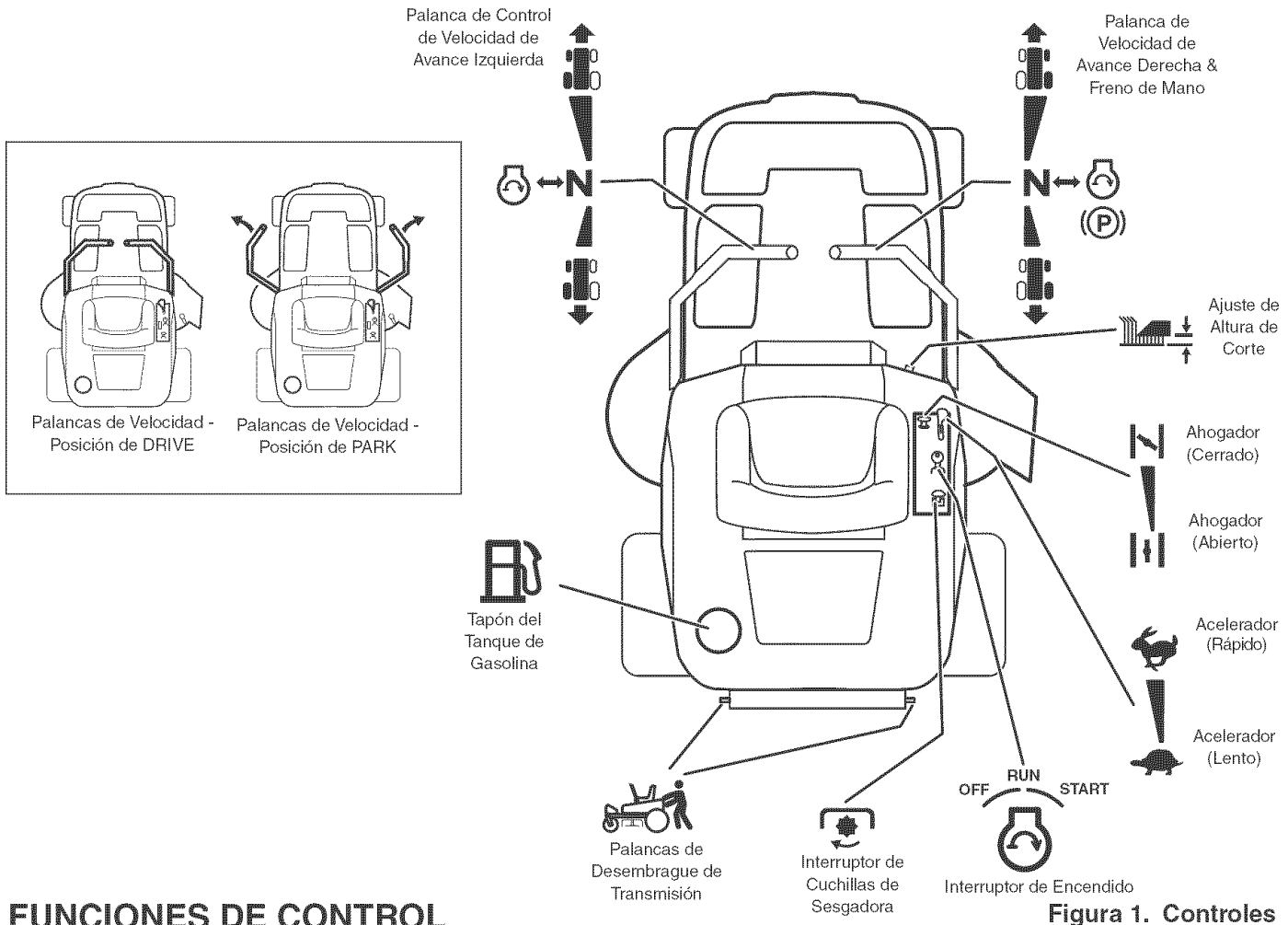


Figura 1. Controles

FUNCIONES DE CONTROL

La información abajo describe brevemente la función de los controles individuales. Arrancar, detenerse, conducir y podar el césped requiere del uso combinado de varios controles aplicados en secuencias específicas. Para aprender qué combinaciones y secuencia de controles deben usarse para diversas tareas le rogamos que lea la sección completa.

Palancas de Velocidad de Avance / Freno de Mano

Estas palancas controlan la velocidad de avance y el freno de mano del montable. La palanca izquierda controla la rueda de tracción trasera izquierda y la palanca derecha controla la rueda de tracción trasera derecha y el freno de mano.

Empujar las palancas hacia afuera hacia los costados, lejos del regazo del operador, fije el freno de mano en PARK (estacionar) (diagrama pequeño, Figura 1). Ésta es la posición indicada para arrancar el montable. Jalar las palancas hacia adentro, encima del regazo del operador, las pone en posición de DRIVE (avance).

Desde la posición de DRIVE (avance), mover la palanca hacia adelante aumenta la velocidad HACIA ADELANTE de la llanta asociada. Jalar la palanca hacia atrás aumenta la velocidad de REVERSA. Entre más se empuje una palanca, más rápido girará la rueda de tracción.

Consulte la sección PRÁCTICA DE MANEJO para obtener instrucciones de direccionamiento.

Control de Velocidad del Motor

El control de velocidad del motor ajusta la velocidad del motor. Coloque siempre la velocidad del motor en FAST (rápido) para conducir o podar el césped. Mueva el control de velocidad del motor de regreso a SLOW (lento) para disminuir la velocidad del mismo. NUNCA active las cuchillas de la sesgadora con la velocidad del motor en SLOW (lento). Sólo active las cuchillas de la sesgadora con la velocidad del motor en FAST (rápido).

Ahogador

CIERRE el ahogador para arrancar en frío (jale la perilla hacia arriba). ABRA el ahogador una vez que el motor arranque (empuje la perilla hasta adentro). Si el motor está caliente, es posible que no requiera el ahogador. En este caso, coloque el ahogador en OPEN (abierto) (empuje la perilla hasta adentro) mientras da marcha al motor. En la mayoría de los casos, será necesario que cierre el ahogador para poder arrancar el motor.



Ajuste de Altura de Corte de la Sesgadora

Para aumentar la altura de corte de la sesgadora (elevar la cubierta de la sesgadora), oprima la parte superior del ajuste de altura de corte amarillo de la sesgadora. Para disminuir la altura de corte de la sesgadora (bajar la cubierta de la sesgadora), oprima la parte inferior del ajuste. El rango de la altura de corte de la sesgadora es 3-3/4" a 1-1/2". El indicador de altura de corte indica la posición de la cubierta de la sesgadora. El indicador de altura de corte se encuentra en la parte frontal del montable, justo detrás de la pierna izquierda del conductor.



Interruptor de Encendido

El interruptor de encendido arranca y detiene el motor; tiene tres posiciones:

OFF (apagado) Detiene el motor y corta el sistema eléctrico.

RUN (activo) Permite que el motor corra y suministra energía al sistema eléctrico.

START (arrancar) Mueve el motor para que arranque.

NOTA: Nunca deje el interruptor de encendido en la posición de RUN con el motor detenido. Esto drena la batería.



Medidor de Horas

El medidor de horas mide la cantidad de horas que la llave lleva en la posición de RUN.

NOTA: El medidor de horas registra el paso del tiempo cuando la llave está en posición de RUN, aun si el motor no está encendido.



Tanque de Gasolina

Para quitar el tapón, gire a la izquierda.



Interruptor de Cuchillas de la Sesgadora

El interruptor de cuchillas de la sesgadora amarillo activa y desactiva las cuchillas de la sesgadora. Para activar las cuchillas de la sesgadora, jale el interruptor hacia arriba. Para desactivar las cuchillas de la sesgadora, empuje el interruptor hacia abajo. Coloque siempre el control de velocidad del motor en FAST (rápido) antes de activar las cuchillas de la sesgadora, y mientras poda el césped.



Palancas de Desembrague de Transmisión

Las palancas de desembrague de la transmisión desactivan las transmisiones para que la unidad pueda empujarse manualmente. Vea EMPUJAR LA UNIDAD MANUALMENTE respecto a la información operacional.

SEGURIDAD GENERAL DE OPERACIÓN

Antes de la primera operación:

- Asegúrese de leer toda la información en las secciones de Seguridad y Operación antes de intentar operar el tractor o la podadora.
- Familiarícese con todos los controles y cómo detener la unidad.
- Conduzca en un área abierta sin podar el césped para acostumbrarse a conducir la unidad.



ADVERTENCIA

Si usted no entiende cómo funciona un control específico, o no ha leído con detenimiento la sección de **FUNCIONES DE CONTROL**, hágalo ahora. **NO** intente operar el tractor sin antes familiarizarse con la ubicación y la función de **TODOS** los controles.

VERIFICACIONES ANTES DE ARRANCAR

- Verifique que el aceite del cárter esté en la marca de lleno de la varilla de nivel de aceite.
- Llene el tanque de gasolina con combustible fresco.

RECOMENDACIONES DE COMBUSTIBLE

Para operación diaria: Use sólo gasolina sin plomo donde la calcomanía de la bomba indique un octanaje de 87 o mayor. El gasohol (hasta 10% de alcohol etílico, 90% de gasolina sin plomo por volumen) está aprobado como combustible. El Metilertbutil Éter (MTBE, por sus siglas en inglés) y las mezclas de gasolina sin plomo (hasta un máximo de 15% MTBE por volumen) están aprobados como combustible. Ninguna otra mezcla de gasolina/alcohol o gasolina/éter está aprobada. No use aditivos para gasolina excepto el estabilizador de combustible.

Para almacenamiento: PRECAUCIÓN: Los combustibles mezclados con alcohol (llamados gasohol o usando etanol o metanol) puede atraer humedad que lleva a la separación y formación de ácidos durante el almacenamiento. El gas ácido puede dañar la instalación de combustible de un motor mientras está en almacenamiento.

Para no tener problemas con el motor, use "estabilizador de gasolina", especialmente si la gasolina ha estado guardada más de 30 días. Vea las instrucciones de ALMACENAMIENTO para obtener información adicional.

Nunca use productos de limpieza para motores o carburadores en el tanque de gasolina o pueden ocurrir daños permanentes. Para agregar combustible:

1. Quite el tapón de la gasolina (A, Figura 2).
2. Llene el tanque. No llene demasiado. Deje espacio en el tanque para la expansión del combustible.
3. Instale y apriete manualmente el tapón de la gasolina.

⚠ ADVERTENCIA

Nunca permita que pasajeros se paseen en la unidad.

Antes de dejar el puesto del operador por cualquier razón, accione el freno de mano, desacople el PTO, detenga el motor y quite la llave.

Para reducir el peligro de un incendio, mantenga el motor, el tractor y la podadora libre de césped, hojas y aceite excesivo. No detenga ni estacione el tractor sobre hojas secas, césped o materiales combustibles.

La gasolina es altamente inflamable y debe manejarse con cuidado. Nunca llene el tanque cuando el motor todavía está caliente por la reciente operación. No permita que nadie se acerque con llamas abiertas, cigarrillos o cerillos a la área. Evite llenar demasiado y quite lo derramado con un trapo.

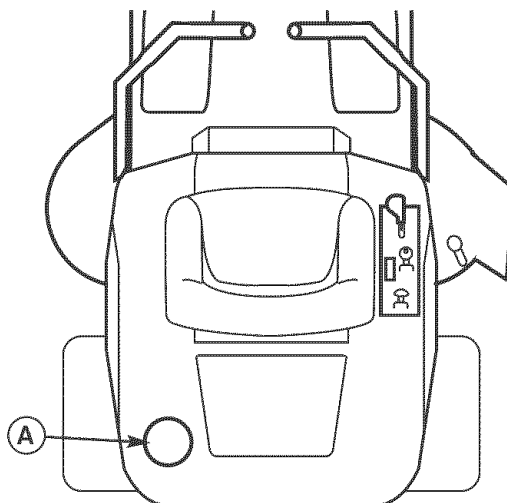


Figura 2. Verificaciones Previas al Arranque
A. Tapón del Tanque de Gasolina

⚠ ADVERTENCIA

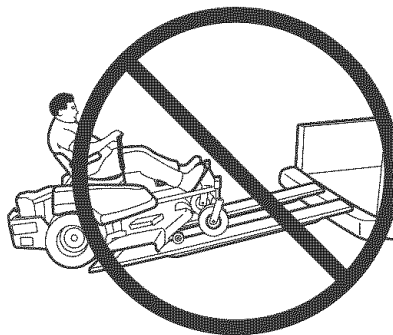
Nunca opere en cuestas mayores a 17.6 por ciento (10°) lo cual es una inclinación de 3-1/2 pies (106cm) verticalmente en 20 pies (607cm) horizontalmente.

Seleccione la velocidad lenta antes de conducir cuesta arriba. Sea extremadamente precavido al operar en cuestas con un recolector de hierba montado en la parte trasera.

Podar el césped de la cuesta de arriba hacia abajo y viceversa, no de un lado al otro. Sea precavido al cambiar de dirección y **NO ARRANQUE NI SE DETENGA EN UNA CUESTA.**

⚠ ADVERTENCIA - REMOLQUES

No cargue este tractor de giro cero en un remolque o camioneta usando dos rampas separadas. Sólo use una sola rampa que por lo menos sea un pie más ancho que las llantas de la parte trasera de este tractor. Este tractor tiene un radio de giro cero y las llantas pueden caer de las rampas, o el tractor puede volcarse lesionando al operador o a los espectadores.



PARO DE EMERGENCIA

En caso de emergencia, el motor puede detenerse simplemente girando el interruptor de encendido a STOP (paro). Use este método sólo en situaciones de emergencia. Para apagar el motor normalmente, siga el procedimiento indicado en **DETENER EL MONTABLE Y EL MOTOR**.

DETENER EL MONTABLE Y EL MOTOR

1. Regrese las palancas de control de la velocidad de avance a la posición de START/PARK (arrancar) para detener el avance del montable y ponga el freno de mano.
2. Desactive las cuchillas de la segadora empujando el interruptor de cuchillas de la segadora hacia abajo a la posición de OFF (apagado).
3. Mueva el control de velocidad del motor a la posición de SLOW (lento) y gire la llave de encendido a OFF (apagado). Quite la llave.

ARRANCAR EL MOTOR

1. Estando sentado en el asiento, asegúrese de que el interruptor de cuchillas de la segadora esté **DESACTIVADO** y que las palancas del control de velocidad de avance estén fijadas en posición de START/PARK (arrancar).
2. Mueva el control de velocidad del motor completamente hacia adelante a FAST (rápido). Coloque el control del ahogador en CLOSED (cerrado) (jale la perilla hacia ARRIBA).

NOTA: Si el motor está caliente, es posible que no requiera el ahogador. En este caso, ponga al control de ahogador en OPEN (abierto) (empuje la perilla hasta adentro).

3. Introduzca la llave en el interruptor de encendido y gírela a START (arrancar) para dar marcha al motor.
4. Después de que arranque el motor, suelte la llave. Ésta regresará a la posición de RUN (activo). Gradualmente empuje la perilla del ahogador hasta adentro a la posición de OPEN (abierto). Caliente el motor dejándolo correr al menos un minuto antes de activar las cuchillas de la segadora o de conducir la unidad.

Opere la unidad SIEMPRE con el control de velocidad del motor en FAST (rápido) cuando pade el césped o conduzca. NUNCA active las cuchillas de la segadora con la velocidad del motor en SLOW (lento).

PODAR EL CÉSPED

1. Arranque el motor (consulte **ARRANCAR EL MOTOR**).
2. Ajuste la altura de corte de la segadora a la altura deseada usando el ajuste de altura de corte de la segadora.
3. Coloque el control de velocidad del motor en FAST (rápido).
4. Active las cuchillas de la segadora (jale el ajusta hacia arriba).
5. Mueva las palancas del control de velocidad de avance de la posición de START/PARK (arrancar) a la posición de DRIVE (avance) (las palancas hacia adentro sobre el regazo del operador).
7. Empiece a podar el césped. Consulte **PRÁCTICA DE MANEJO**.
8. Cuando termine, desactive las cuchillas de la segadora (empuje el interruptor hacia abajo).
9. Detenga el montable y el motor (consulte **DETENER EL MONTABLE Y EL MOTOR**).

EMPUJAR EL MONTABLE MANUALMENTE

1. Desactive las cuchillas de la segadora, empuje las palancas de control de velocidad de avance a la posición de START/PARK (arrancar), gire el interruptor de encendido para apagar el motor, quite la llave y espere hasta que todas las piezas móviles se detengan.
2. Ubique las palancas de desembrague de la transmisión (C, Figura 3) en la parte trasera de la unidad.
3. Jale las dos palancas hacia atrás y hacia abajo para desembragar las transmisiones (posición B, Figura 3).
4. Jale las palancas del control de velocidad de avance a la posición de DRIVE (avance).
Ahora puede empujar el montable manualmente.
5. Después de mover el montable, coloque las palancas de control de velocidad de avance en START/PARK (arrancar) y empuje las dos palancas de desembrague de la transmisión hacia adelante para volver a embragar las transmisiones (posición A, Figura 3).



NO REMOLCAR EL MONTABLE

Remolcar la unidad dañará la transmisión. No use otro vehículo para empujar o jalar la unidad.

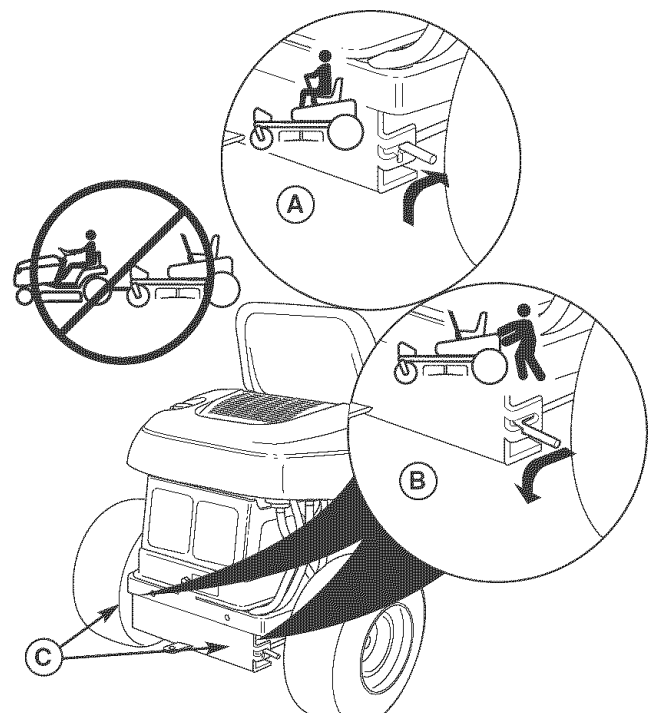


Figura 3. Palancas de desembrague de la transmisión
A. Posición de Drive (avance)
B. Posición de Push (empujar)
C. Palancas de desembrague de la transmisión

PRÁCTICA DE MANEJO - MANEJO BÁSICO

ADVERTENCIA: Nunca opere en cuestas mayores a 17.6% (10°). Vea OPERACIÓN EN CUESTAS en la sección de seguridad. Los tractores de giro cero operan de modo diferente a otros vehículos de cuatro ruedas. Las ruedas de tracción también son sus ruedas de dirección. Si usted no puede conducir la unidad en una colina, usted no podrá dirigir la unidad en ella. Operar unidades de giro cero en cuestas requiere de precauciones extremas.

Los controles de palanca del tractor de giro cero son muy sensibles, y aprender a dominar los movimientos de avance, reversa y vuelta del tractor con eficiencia y sin problemas requiere práctica.

Dedique algo de tiempo probando las siguientes maniobras y para familiarizarse con cómo acelera, se traslada y dirige la unidad - antes de empezar a podar del césped - es absolutamente esencial para sacarle el mayor provecho al tractor de giro cero.

Encuentre un área lisa y plana en su jardín — un área con mucho espacio para maniobrar. (Antes de empezar quite del área cualquier objeto, gente y animales.) Opere la unidad a media aceleración durante esta sesión de práctica (SIEMPRE opere con el acelerador en FULL al podar el césped), y gire lentamente para evitar que derrapen las llantas y se dañe su jardín.

Le sugerimos que empiece con el procedimiento de traslado sin problemas a la derecha, y luego siga con las maniobras de avance, reversa y vuelta.

Usted debe poner el freno de mano en DRIVE antes de mover las palancas de control fuera de la posición de PARK.

! ADVERTENCIA

No puede el césped en reversa a menos que sea absolutamente necesario. Siempre mire hacia abajo y hacia atrás antes de echarse en reversa y mientras lo hace.

Manejo Hacia Adelante

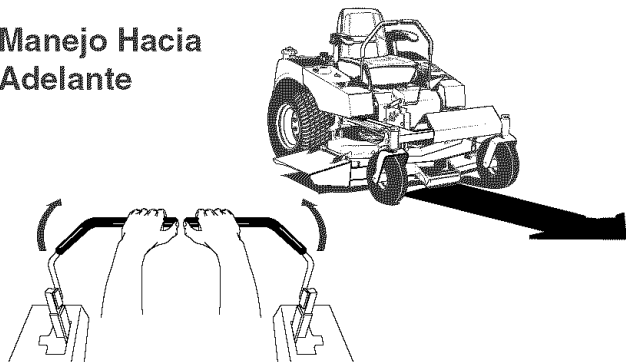


Figura 5. Manejo Hacia Adelante

Traslado sin problemas

Los controles de palanca del tractor de giro cero son altamente sensibles.

El MEJOR método de manejar las palancas del control de velocidad es en tres pasos - como se muestra en la Figura 4.

PRIMERO coloque sus manos en las palancas como se muestra.

SEGUNDO, para avanzar empuje gradualmente la palanca hacia adelante con sus palmas.

TERCERO, para acelerar mueva las palancas más hacia adelante. Para bajar suavemente la velocidad, mueva las palancas lentamente hacia atrás en dirección de neutral.

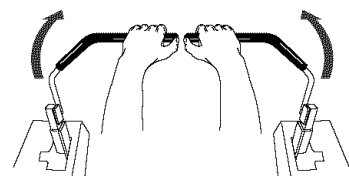
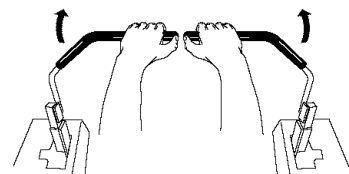
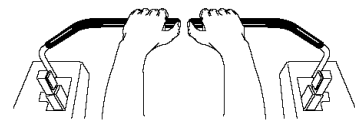


Figura 4. Mover las Palancas de Control Gradualmente

Práctica en el Manejo Hacia Adelante

Gradualmente mueva las dos palancas del control de velocidad HACIA ADELANTE de modo uniforme lejos del neutral. Desacelere y repita.

Práctica en el Manejo en Reversa

MIRE HACIA ATRÁS Y ABAJO, luego mueva gradualmente las dos palancas del control de velocidad HACIA ATRÁS de modo uniforme lejos del neutral. Desacelere y repita.

NOTA: Practique echarse en reversa durante varios minutos antes de intentar hacerlo cerca de algún objeto. El tractor gira tan abruptamente en reversa como cuando va hacia adelante, y andar en reversa en línea recta requiere de práctica.

Manejo en Reversa

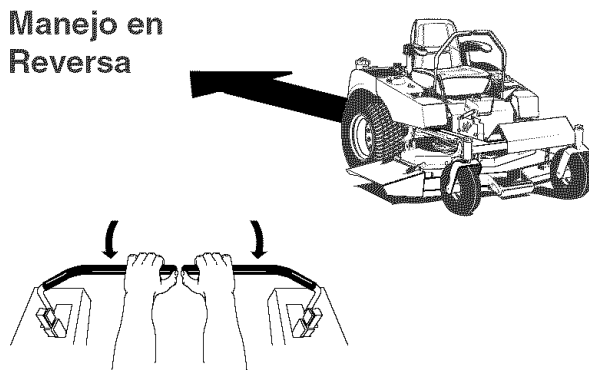


Figura 6. Manejo en Reversa

Práctica de dar Vuelta en una Esquina

Mientras viaja hacia adelante permita que una palanca regrese gradualmente en dirección del neutral. Practique varias veces antes de podar el césped.

NOTA: Para evitar girar directamente sobre la banda de rodamiento, es mejor mantener las dos ruedas en marcha hacia adelante aunque sea ligeramente.

Ejecutar Vueltas

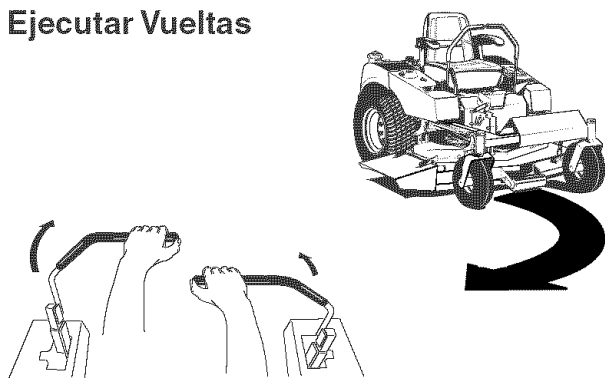


Figura 7. Vuelta a la Derecha

Práctica de Vuelta en el Lugar

Hacer un "giro cero" significa girar en el mismo lugar. Para dar la vuelta en el mismo lugar, gradualmente mueva la palanca de control de velocidad hacia adelante de neutral y una palanca hacia atrás del neutral simultáneamente. Repita varias veces.

Vuelta en el Mismo Lugar

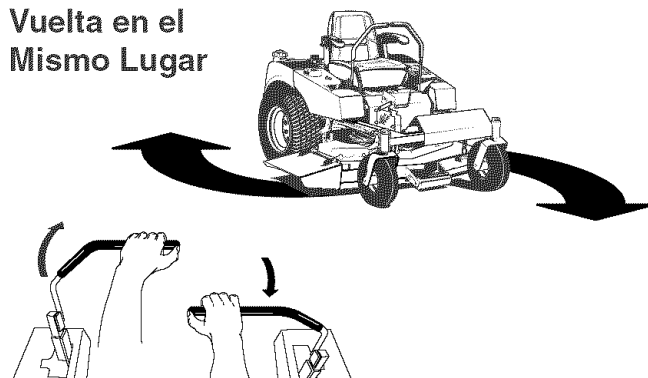


Figura 8. Vuelta en el Mismo Lugar

MANEJO AVANZADO

Ejecutar un Giro Cero al Final de la Fila

La habilidad única de su tractor de giro cero de dar vuelta en su lugar le permite dar la vuelta al final de una fila de corte en vez de tener que detenerse y hacer una vuelta en U antes de iniciar con la siguiente fila.

Por ejemplo, para ejecutar un giro cero de final de fila a la derecha:

1. Desacelere al final de la fila.
2. Mueva la palanca de control velocidad IZQUIERDA ligeramente hacia adelante mientras que mueve la palanca de control velocidad DERECHA de regreso al centro y luego ligeramente de regreso del centro.
3. Empiece de nuevo a podar el césped hacia adelante.

Esta técnica gira el tractor a la DERECHA y se traslapa ligeramente con la fila recién cortada - eliminando la necesidad de regresar y cortar de nuevo el césped omitido.

A medida que se familiarice más y tenga experiencia con la operación del tractor de giro cero, usted aprenderá más maniobras que le harán más fácil y agradable el podado del césped.

¡Recuerde que entre más practique, mejor controlará el tractor!

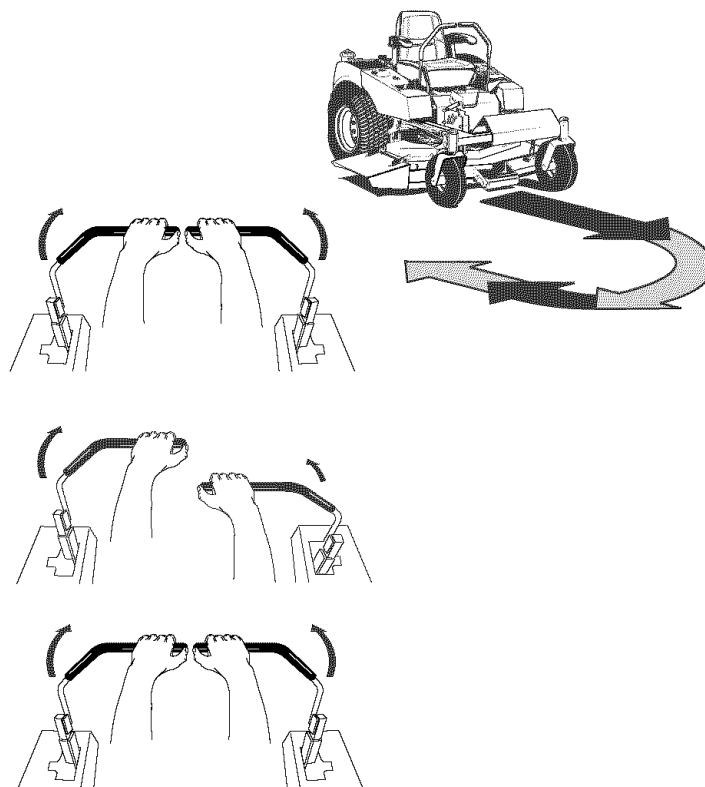


Figura 9. Ejecutar una Vuelta al Final de la Fila

REMOCIÓN E INSTALACIÓN DE LA CUBIERTA DE LA SESGADORA

NOTA: Ejecute la remoción e instalación de la sesgadora sobre una superficie dura y nivelada como un piso de concreto.

ADVERTENCIA

Después de bajar la altura de corte de la sesgadora, accione el freno de mano, desactive las cuchillas de la sesgadora, gire el interruptor de encendido a STOP y quite la llave antes de intentar instalar o retirar la sesgadora.

Retirar la Cubierta de la Sesgadora

1. Desactive las cuchillas de la sesgadora, coloque las palancas de control de velocidad de avance en posición de START/PARK (arrancar), gire el interruptor de encendido para apagar el motor y espere hasta que todas las piezas móviles se detengan.
2. Gire las ruedas delanteras hacia adelante.
3. Use la palanca de desembrague de la correa en la sesgadora (D, Figura 11) para liberar la tensión de la correa. Quite la correa de la sesgadora de la polea del motor (A).
4. Gire el interruptor de encendido de OFF (apagado) a RUN (activo) sin arrancar el motor.
5. Use el ajuste de altura de corte de la sesgadora para elevar la cubierta de la sesgadora.
6. Coloque bloques de madera de 4x4 (D, Figura 10) debajo del borde frontal y trasero de la cubierta de la sesgadora para apoyarla fijamente.
7. Use el ajuste de altura de corte de la sesgadora para bajar completamente la sesgadora para que descansa sobre los bloques de madera de 4x4.
8. Gire el interruptor de encendido a OFF (apagado) y quite la llave.
9. Retiras la horquilla (A) que sujeta el brazo de elevación trasero de la cubierta de la sesgadora. Separe el brazo de elevación de la cubierta de la sesgadora. Repita los pasos anteriores en ambos lados de la sesgadora.
10. Quite el tornillo de cabeza redonda y la tuerca con resalto de 3/8-16 x 3/4 (B) que sujetan el retenedor de la varilla. Quite el retenedor y la varilla (C).
11. Deslice la cubierta de la sesgadora hacia afuera desde abajo del montable.

Instalar la Cubierta de la Sesgadora

1. Deslice la cubierta de la sesgadora abajo del lado derecho del montable. Deslice la sesgadora hacia adelante y acople la varilla frontal (D, Figura 10) a los ganchos delanteros de la cubierta de la sesgadora.
2. Instale el soporte del retenedor de la varilla (B) y fije los dos tornillos de cabeza redonda y las tuercas con resalto de 3/8-16 x 3/4 (C).
3. Deslice la sesgadora hacia atrás y conecte los brazos de elevación traseros a la cubierta de la sesgadora. Sujételos con las horquillas (A).
4. Introduzca la llave en el interruptor de encendido. Gire el interruptor de encendido de OFF (apagado) a RUN (activo) sin arrancar el motor.
5. Use el ajuste de altura de corte de la sesgadora para elevar la sesgadora hasta que ya no descansa sobre los bloques de madera de 4x4 (E).
6. Gire el interruptor de encendido a OFF (apagado) y quite la llave. Retire los bloques de 4x4 (E).
7. Use la palanca de desembrague de la correa de la sesgadora para liberar la tensión de la correa e instale la correa como se muestra en la Figura 11.

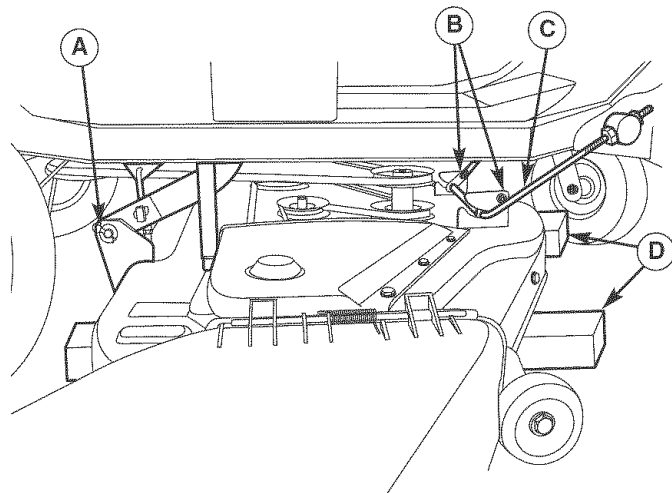


Figura 10. Componentes del Enganche de la Sesgadora

- A. Horquilla
- B. Tornillo de cabeza redonda y tuerca con resalto de 3/8-16 x 3/4
- C. Varilla
- D. Bloques de madera de 4x4

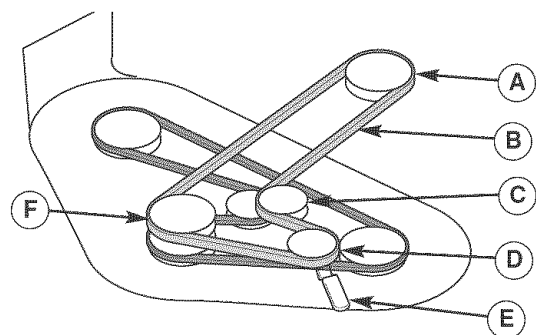


Figura 11. Disposición de la banda de sesgadora

- A. Polea del motor
- B. Banda de Tracción de la Sesgadora
- C. Polea Tensora del Lado Posterior
- D. Polea Tensora en V
- E. Palanca de Desembrague de la Banda en la Sesgadora
- F. Polea Motriz de la Sesgadora

MANTENIMIENTO

PROGRAMA DE MANTENIMIENTO

El siguiente programa debe seguirse para el cuidado normal de su tractor y podadora.

MANTENIMIENTO DEL MONTABLE, de todos los modelos	Antes de cada uso	Primavera y Verano	8 Horas	25 Horas	100 Horas	200 Horas	Anual mente
Limpiar el residuo del montable y del compartimiento del motor *	•						
Limpiar el residuo de las áreas de refrigeración del motor y del filtro de aire *	•						
Verifique la presión de las llantas				•			
Lubrique el montable y la segadora *				•			
Limpiar la base y verifique/reemplace las cuchillas de la segadora				•			
Limpiar la batería y los cables					•		
Verifique el sistema de seguridad del montable **		•			•		•
Verifique / ajuste el embrague PTO						•	

MANTENIMIENTO DEL MOTOR 20HP Kohler	8 Horas o Diariamente	25 Horas o 2 Meses	100 Horas o Anualmente	200 Horas o 2 Años	200 Horas	500 Horas
Verifique el nivel de aceite del motor *	•					
Verifique el purificador de aire y la admisión *	•					
Verifique/limpie las aletas de refrigeración y la admisión *	•					
Dele servicio al filtro de aire *		•				
Cambie el aceite y el filtro *			•			
Remueva la cubierta, limpie las aletas de refrigeración *			•			
Reemplace el filtro del combustible †			•			
Verifique y ajuste / Reemplace la bujía de encendido				•		•
Dele servicio al propulsor del arrancador, verifique y ajuste la holgura de la válvula †					•	

MANTENIMIENTO DEL MOTOR, 24HP Briggs & Stratton	Cada 8 horas o diario	Cada 25 horas o cada temporada	Cada 50 horas o cada temporada	Cada 100 horas o cada temporada	Cada 100 a 400 horas
Revisar nivel de aceite del motor *	•				
Reemplazar filtro de aire *		•			
Cambiar el aceite *			•		
Cambiar aceite y filtro *				•	
Limpiar abanicos de enfriamiento *				•	
Reemplazar bujías				•	
Reemplazar filtro de combustible †				•	
Limpiar cámara de combustión					•

* Más frecuentemente en climas con temperaturas altas (más de 85° F: 30° C) o funcionamiento en condiciones polvorientas.

** Verifique el funcionamiento del sistema de seguridad cuando la unidad haya estado almacenada por 30 días o un período mayor.

† Estos servicios deberán ser efectuados por Sears u otro taller de servicio calificado.

Elementos de Mantenimiento del Tractor

GANAR ACCESO AL COMPARTIMIENTO DEL MOTOR

Levante la parte posterior del asiento para ganar acceso al compartimiento del motor.

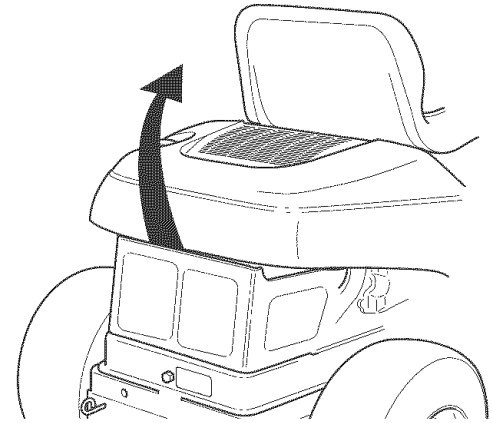


Figura 12. Ganar acceso al compartimiento del motor

LIMPIAR DESPOJOS DEL TRACTOR Y DEL COMPARTIMIENTO DEL MOTOR

Intervalo de Servicio: Antes de cada uso.

PRECAUCIÓN: Si no se quitan los despojos del compartimiento del motor y otras superficies calientes, se crea un peligro de incendio. Antes de arrancar la unidad al inicio de la sesión de podado de césped, elimine cualquier hierba cortada, mugre, hojas u otros despojos de la unidad. También limpie el interior del compartimiento del motor.

LIMPIAR DESPOJOS DEL ÁREA DE ENFRIAMIENTO DEL MOTOR Y DEL FILTRO DE AIRE

Intervalo de Servicio: Antes de cada uso.

PRECAUCIÓN: Si no se quitan los despojos del compartimiento del motor y otras superficies calientes, se crea un peligro de incendio. Antes de arrancar la unidad al inicio de la sesión de podado de césped, levante el asiento y limpie cualquier despojo de la rejilla de admisión en la parte superior del motor (A, Figura 13), el abanico de enfriamiento expuesto del motor y alrededor de la instalación del filtro de aire. También abra la tapa del filtro de aire (B) y elimine cualquier suciedad que se haya acumulado en el compartimiento del filtro de aire.

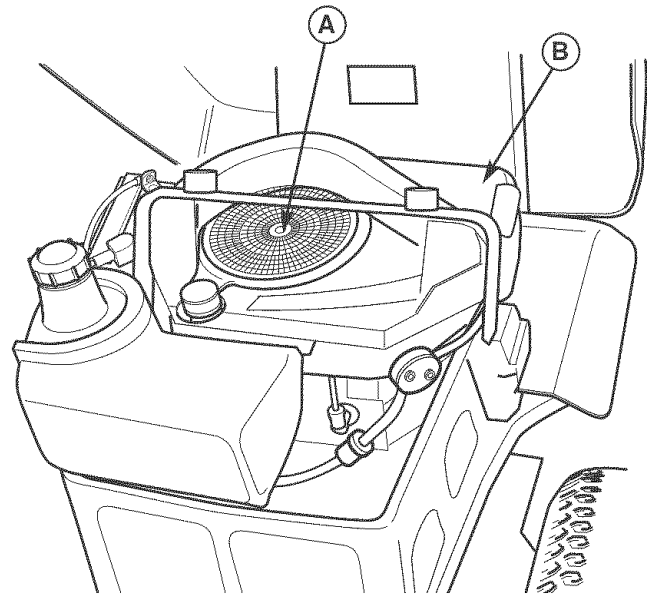
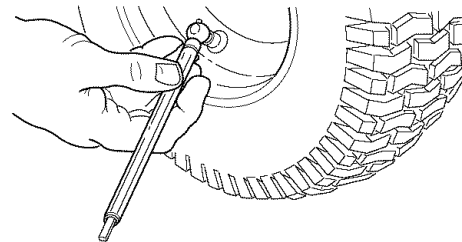


Figura 13. Compartimiento del Motor
A. Rejilla de Admisión
B. Cubierta del Filtro de Aire

VERIFICAR PRESIÓN DE LAS LLANTAS

Intervalo de Servicio: 25 horas.

La presión de las llantas debe revisarse periódicamente y mantener en los niveles mostrados en la Figura 14. Tome en cuenta que las presiones pueden diferir ligeramente de la "Inflación Máx" estampada a los lados de las llantas. Las presiones mostradas ofrecen una tracción apropiada, mejor calidad de corte y vida extendida para las llantas.



Llanta	Presión
Delantera	18-20 psi (1.24-1.38 bar)
Trasera	10-12 psi (.69-.83 bar)

Figura 14. Presión de las Llantas

LUBRICACIÓN

Intervalo de Servicio: 25 horas.

Lubrique la unidad en los lugares mostrados en las Figuras 15 a 19 así como en los siguientes puntos de lubricación.

Grasa:



- engrasadores de la rueda delantera
- bujes de la rueda delantera
- pivotes de la podadora
- árboles de sujeción de la podadora

Use engrasadores cuando estén presentes.

No todas las grasas son compatibles. Use grasa de litio de tipo automotriz.

Aceite:



- pivote del bastidor trasero
- acoplamiento hidráulico
- acoplamiento del freno
- puntos del pivote del bastidor
- acoplamiento del ajuste de altura de la cubierta de la podadora
- acoplamiento del freno

Generalmente, todas las partes de metal para podado deben engrasarse donde entran en contacto con otras partes. No ponga aceite ni grasa en las bandas y poleas. Recuerde limpiar con un trapo los acoples y superficies antes y después de la lubricación.

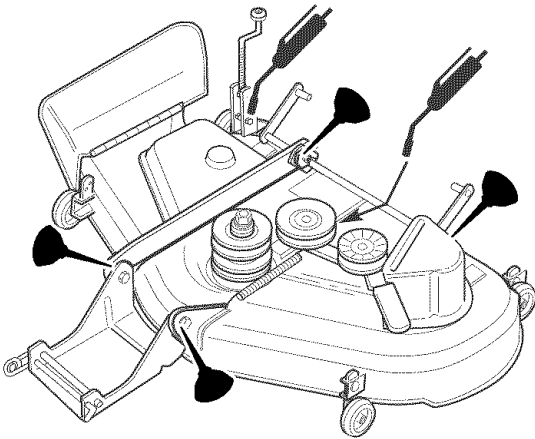


Figura 15. Lubricación de la sesgadora

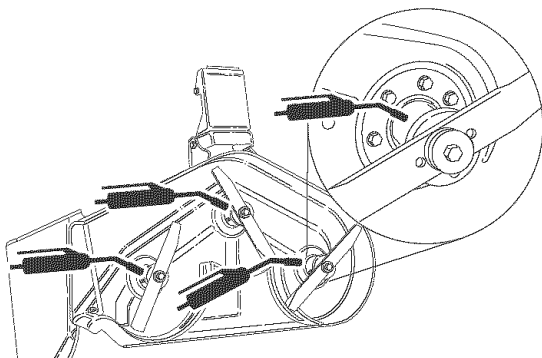


Figura 16. Lubricación del Árbol de Sujeción

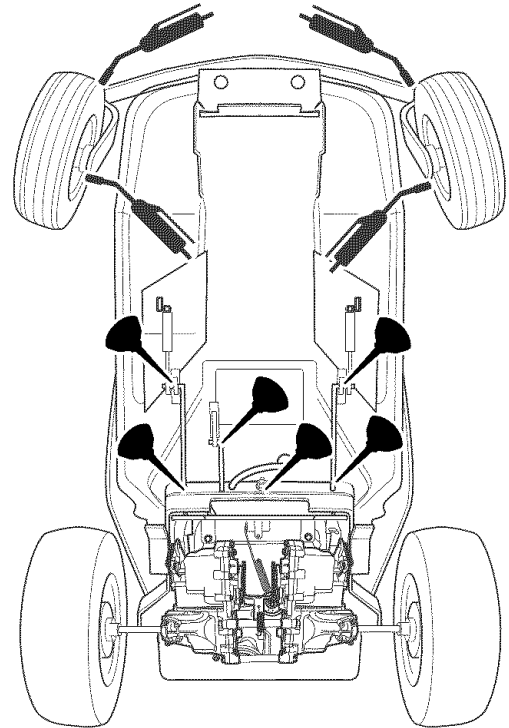


Figura 17. Lubricación del montable

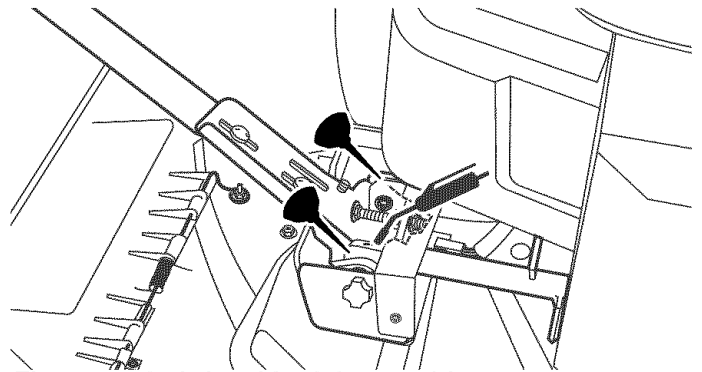


Figura 18. Lubricación del montable

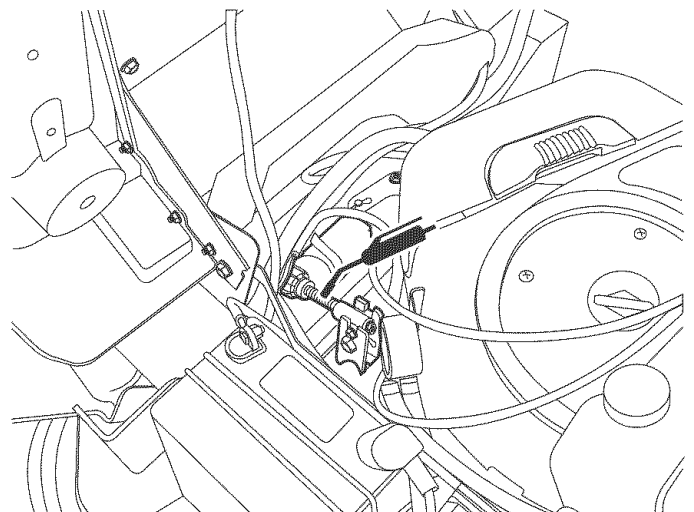


Figura 19. Lubricación del elevador de la sesgadora

LIMPIAR CUBIERTA Y VERIFICAR/ REEMPLAZAR ASPAS DE PODADORA

Intervalo de Servicio: 25 horas o según se requiera.

! ADVERTENCIA

Para su seguridad personal, no maneje las aspas afiladas de la podadora con las manos descubiertas. El manejo imprudente o indebido de las aspas puede resultar en lesiones graves.

! ADVERTENCIA

Para su seguridad personal, los tornillos de cabeza hexagonal para montar las aspas deben instalarse con una arandela acanalada y una arandela elástica, y luego apretar fijamente. Apriete el tornillo de cabeza hexagonal para montar el aspa a un par de torsión de 45 - 55 ft. lbs. (61 - 75 N.m.)

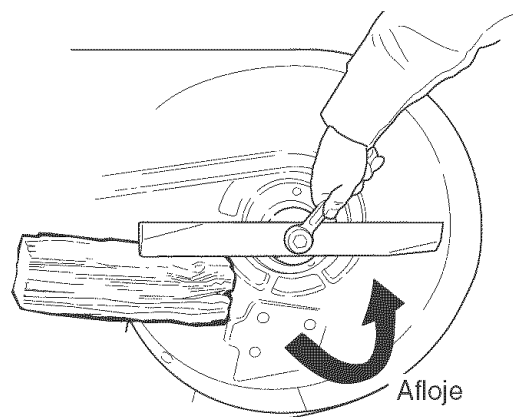


Figura 20. Remoción del Aspa

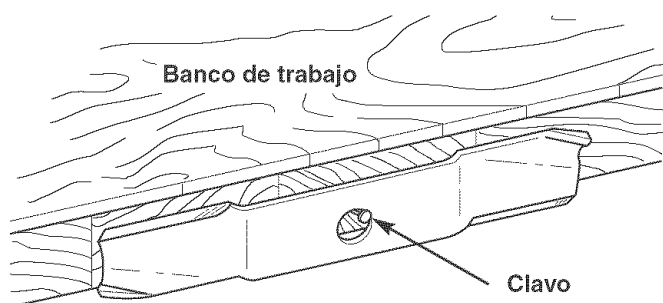


Figura 21. Equilibrar el Aspa

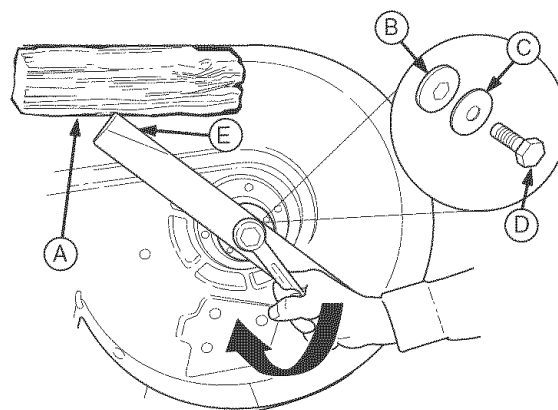


Figura 22. Instalación del Aspa

- A. Bloque de Madera de 4x4
- B. Arandela Acanalada
- C. Arandela Elástica
- D. Tornillo de Cabeza Hexagonal del Aspa
- E. Aletas de Izado

1. Quite la cubierta de la podadora (vea "Remoción de la cubierta de la podadora" en la sección de OPERACIÓN).
2. Vea la Figura 20. Quite el aspa para inspeccionarla o para ganar acceso seguro al lado inferior de la cubierta de la podadora. Use un bloque de madera para evitar que gire el aspa mientras afloja el tornillo de cabeza hexagonal girándolo a la izquierda.
3. Quite el tornillo de cabeza hexagonal (D, Figura 22), arandela elástica (C), arandela acanalada (B) y aspa.
4. Limpie el lado inferior de la cubierta de la podadora.
5. Inspeccione las aspas para ver que no tengan muescas o rebordes desafilados. Use una lima para afilar el aspa a un filo cortante. Si el aspa está dañada, debe reemplazarla.
6. Equilibre el aspa como se muestra en la Figura 21. Centre el orificio del aspa con un clavo lubricado con una gota de aceite. Un aspa equilibrada permanecerá nivelada. Si el aspa no está equilibrada, siga afilando el lado pesado hasta que esté equilibrada.
7. Reinstale el aspa con las aletas de izado (E, Figura 22) apuntando arriba hacia la cubierta de la podadora como se muestra.
8. Reinstale la arandela acanalada (B, Figura 22), arandela elástica (C) y tornillo de cabeza hexagonal (D). Use un bloque de madera (A) para evitar que el aspa gire mientras aprieta el tornillo de cabeza hexagonal (D) a 45-55 ft. lbs. (61-75 N.m). Gire el tornillo de cabeza hexagonal a la derecha para apretarlo.

LIMPIAR BATERÍA Y CABLES

ADVERTENCIA



Peligro de corrosión.

Las baterías contienen ácido. Conserve la batería siempre de pie y no derrame el electrolito. Evite el contacto con la piel y los ojos.



Peligro de explosión.

Cuando quite o instale los cables de la batería, desconecte **PRIMERO** el cable negativo y conéctelo al **FINAL**. Si no se hace en este orden, la terminal positiva puede causar un cortocircuito con el bastidor al contacto con una herramienta.



Use equipo protector

Use siempre guantes y gafas de seguridad cuando manipule la batería y sus cables.

Intervalo de Servicio: 200 horas

1. Desconecte los cables de la batería, primero el cable negativo (B, Figura 23).
2. Quite la banda de goma que sujeta la batería y quite la batería
3. Limpie la batería y el compartimiento de la batería con una solución de bicarbonato de sodio y agua.
4. Limpie las terminales de la batería y los extremos del cable con un cepillo de alambre hasta que brillen.
5. Reinstale la batería y sujétela con la banda de goma.
6. Reconecte los cables de la batería: primero conecte el cable positivo (vea A, Figura 23), luego conecte el cable negativo (B).
7. Aplique una capa de parafina o grasa no conductora a los extremos del cable y a las terminales de la batería.

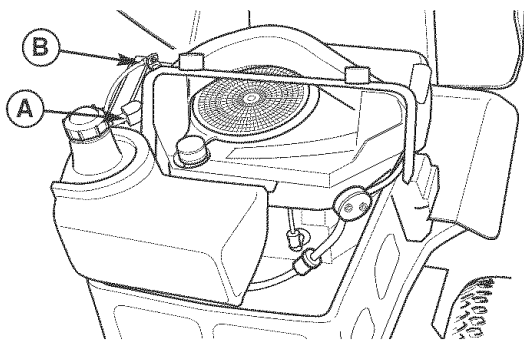


Figura 23. Compartimiento del Motor

- A. Cable Positivo (+) de la Batería
- B. Cable Negativo (-) de la Batería



REVISAR SISTEMA DE SEGURIDAD DEL MONTABLE

Intervalo de servicio: Cada 100 horas, cada primavera y otoño y después de estar guardado por más de 30 días.

Esta unidad está equipada con interruptores de intercierres de seguridad. Estos sistemas de seguridad están presentes para su seguridad. No intente evitar los interruptores de seguridad y nunca haga cambios indebidos a los dispositivos de seguridad. Revise su operación con regularidad.

Revisiones de SEGURIDAD de Operación

PRUEBA 1: EL MOTOR NO DEBE ARRANCAR SI:

- El interruptor de cuchillas de la segadora está **ACTIVADO, O BIEN**
- Las palancas del control de velocidad de avance no están en posición de **START/PARK** (arrancar).

PRUEBA 2: EL MOTOR DEBE ARRANCAR SI:

- El interruptor de cuchillas de la segadora está **DESACTIVADO, Y**
- Las palancas del control de velocidad de avance están en posición de **START/PARK** (arrancar).

PRUEBA 3: EL MOTOR DEBE APAGARSE SI:

- El operador se levanta del asiento con el interruptor de cuchillas de la segadora **ACTIVADO, O BIEN**
- El operador se levanta del asiento con las palancas de velocidad de avance en posición de **DRIVE** (avance), **O BIEN**
- El operador mueve la palanca de control de velocidad de avance fuera de la posición de **START** (arrancar) mientras deja la palanca derecha en **START/PARK** (debe mover ambas palancas de la posición de **START** a **DRIVE** (avance) simultáneamente para evitar que se apague).

PRUEBA 4: REVISIÓN DE FRENO DE CUCHILLAS

Las cuchillas y la banda de tracción de la segadora deben detenerse por completo a los cinco segundos de **DESACTIVAR** el interruptor de cuchillas de la segadora. Si la banda de tracción de la podadora no se detiene en cinco segundos, comuníquese con el Centro de Piezas y Reparaciones de Sears.

*NOTA: Una vez que se detenga el motor, desactive el interruptor de cuchillas de la segadora y fije las palancas del control de velocidad en posición de **START/PARK** (arrancar) para poder arrancar el motor.*

ADVERTENCIA

Si la unidad no pasa una prueba de seguridad, no la opere. Visite un Centro de Partes y Reparaciones de Sears. Bajo ninguna circunstancia intente anular la finalidad del sistema del intercierres de seguridad.

VERIFICAR/AJUSTAR EMBRAGUE DEL PTO

ADVERTENCIA

Para evitar lesiones graves, sólo haga los ajustes con el motor detenido, la llave quitada y el tractor en terreno nivelado.

Intervalo de Servicio: 200 horas.

El embrague de la Potencia de arranque (Power Take Off o PTO) acciona las cuchillas de la segadora. El embrague del PTO se embraga y desembraga con el interruptor de cuchillas de la segadora. Revise el ajuste del embrague del PTO cada 200 horas de operación. También realice el siguiente procedimiento si se barre el embrague, no embraga o si instaló un embrague nuevo.

1. Quite la llave del interruptor de encendido y desconecte los cables de las bujías para evitar un posible arranque accidental mientras ajusta el PTO.
2. Vea la Figura 24. Tome nota de la posición de las 3 ventanas de ajuste (A) en el lado del disco portafreno y las tuercas mecánicas de ajuste (B).
3. Inserte una lámina calibradora (C) de .012"-.015" (2.5-4mm) por cada ventana, colocando el calibrador entre la cara del rotor y la cara del armazón como se muestra en la Figura 25.
4. Alternativamente apriete las tuercas de ajuste (B, Figura 25) hasta que la cara del rotor y la cara del armazón apenas hagan contacto con el calibrador.
5. Verifique las ventanas para ver que la tensión sea igual cuando el calibrador se introduce y se saca, y haga los ajustes necesarios apretando o aflojando las tuercas de ajuste.

NOTA: El espacio vacío existente entre el rotor y el armazón puede variar aún después de realizar el procedimiento de ajuste. Esto se debe a las variaciones dimensionales de los componentes y es una condición aceptable.

6. Verifique el tiempo en que se detienen las aspas de la podadora. Las aspas y la banda de tracción de la podadora deben detenerse por completo en un lapso de cinco segundos después de apagar el interruptor PTO eléctrico. Si el ajuste no termina el problema de frenado de la podadora, reemplace el embrague eléctrico del PTO.

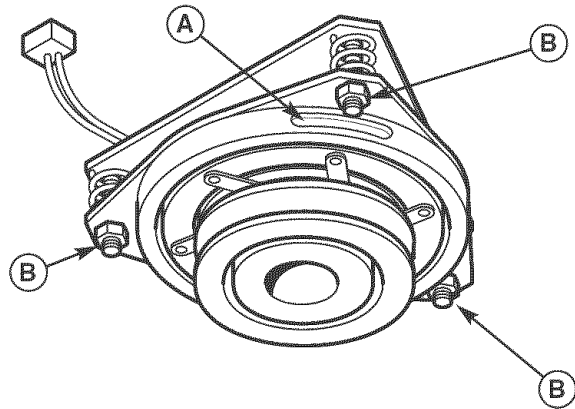


Figura 24. Ajuste del Embrague del PTO
A. Ventana de Ajuste (Ctd. 3, se muestra una)
B. Tuerca de Ajuste

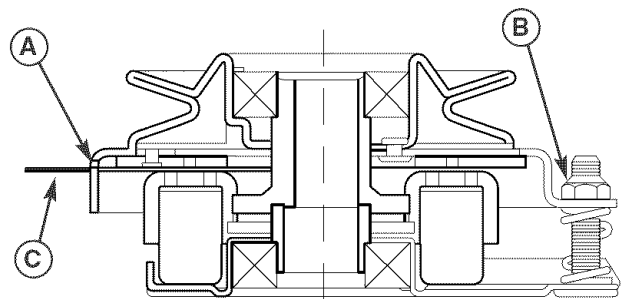
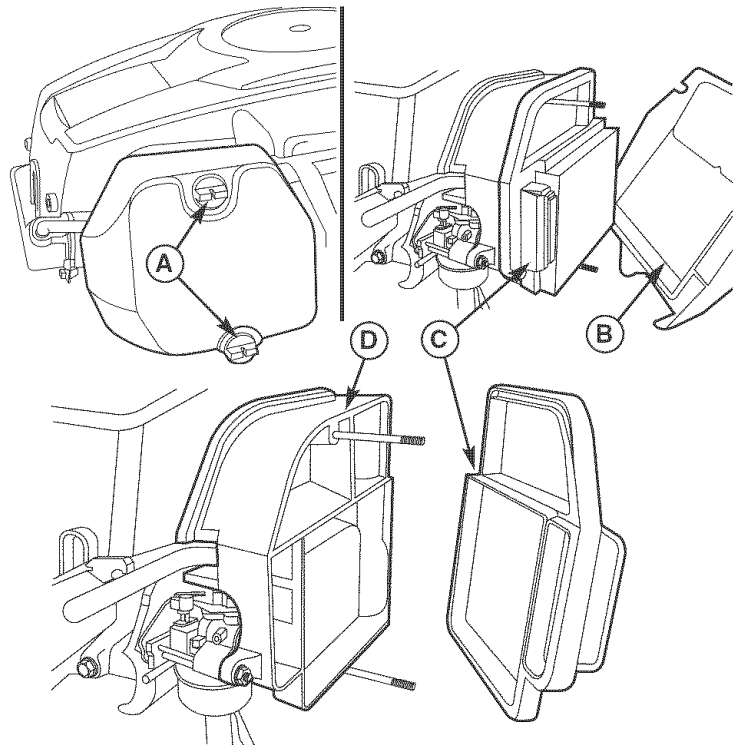


Figura 25. Ajustar Embrague del PTO
A. Ventana
B. Tuerca de Ajuste
C. Lámina Calibradora

REEMPLACE EL FILTRO DE AIRE - MODELOS KOHLER

Intervalo de servicio: Cada 25 horas o cada dos meses, o conforme sea necesario.

1. Afloje los botones de la cubierta del filtro de aire (A, Figura 28) y remueva la cubierta (B). Limpie cualquier residuo alrededor del filtro de aire. Inspeccione la condición de las superficies de sellamiento del elemento del filtro de aire (C) y de la base del filtro (D). Reemplace cualquier parte dañada.
2. Remueva el elemento del filtro de aire (C).
3. Instale el elemento del filtro de aire nuevo con el lado plisado hacia afuera y asíntelo en los bordes de la base del purificador de aire (D).
4. Reinstale la cubierta del filtro de aire (B) y asegúrela con los dos botones (A).



**Figura 28. Ensamblaje del filtro de aceite -
Modelos Kohler**

- A. Botón de la cubierta del filtro de aire
- B. Cubierta
- C. Filtro de aire
- D. Base

REEMPLAZAR BUJÍA

Intervalo de Servicio: 200 horas.

Bujía de Repuesto: Champion RC12YC o equivalente

Entrehierro de Bujía: .030" (.76mm)

1. Detenga el motor y permita que se enfríe.
2. Limpie el área alrededor de la bujía (A, Figura 29).
3. Quite la bujía e inspecciónela. Si está dañada o desgastada, reemplácela.
4. Verifique el entrehierro de la bujía. El entrehierro (de una bujía nueva o usada) debe ser de .030".
5. Reinstale la bujía en la culata del cilindro. Apriete la bujía a un par de torsión de 28-32 ft. lbs. (38-43 N.m.).

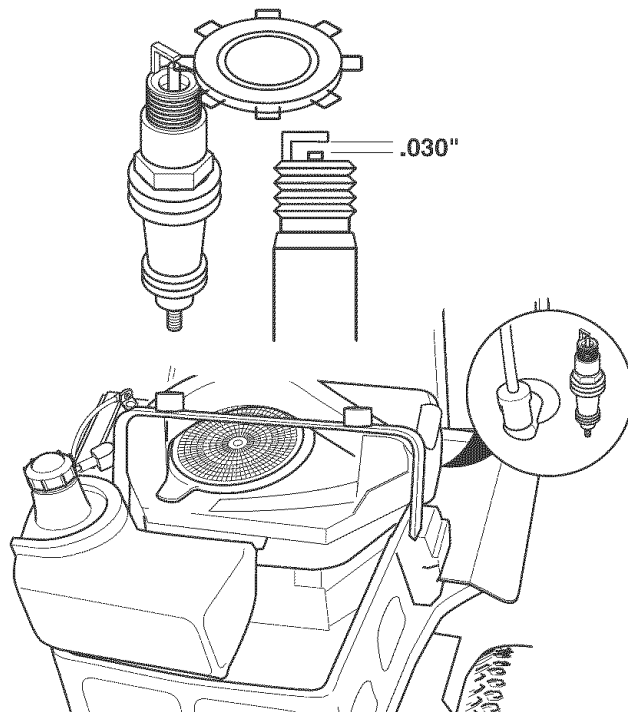


Figura 29. Entrehierro de la Bujía

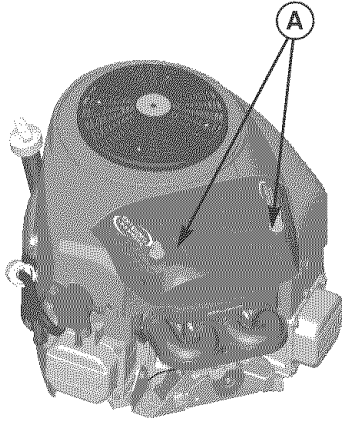


Figura 32. Cubierta del Filtro de Aire
A. Tornillos de la Cubierta del Filtro de Aire

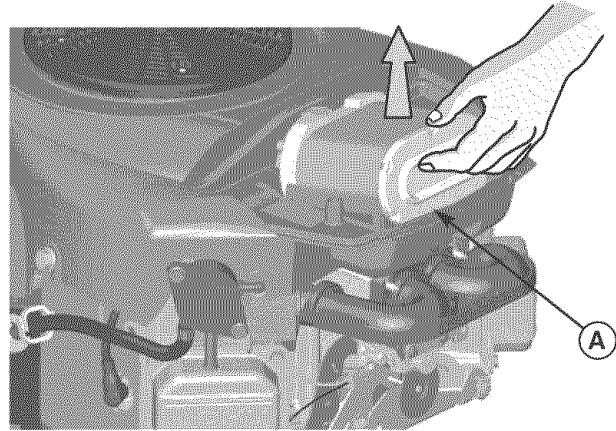


Figura 33. Remoción del Filtro de Aire
A. Cartucho del filtro

REEMPLAZAR EL FILTRO DE AIRE - MODELOS BRIGGS & STRATTON

Intervalo de servicio: Cada 25 horas o según se requiera.

1. Afloje los tornillos de la tapa del filtro de aire (A, Figura 32) y quite la tapa.
2. Encuentre el cartucho del filtro de aire (A, Figura 33). Jale el borde delantero del cartucho hasta que desenganche de su lugar.
3. Inspeccione el cartucho para ver si tiene suciedad o daños.

Si la delgada funda de espuma que rodea el filtro está dañada, reemplace el filtro. **NO** aplique aceite a la funda de espuma o al cartucho. Si hay aceite o mucha suciedad en el cartucho, reemplácelo.

NO use aire comprimido ni solventes para limpiar el cartucho del filtro.

Elimine cualquier suciedad del alojamiento del filtro de aire.

4. Reemplace el cartucho alineando el orificio del cartucho con la ventila de aire (A, Figura 34).
5. Empuje el cartucho hacia adentro en dirección del motor hasta que encaje en su lugar.
6. Reinstale la tapa del filtro de aire y apriete los tornillos (A, Figura 32).

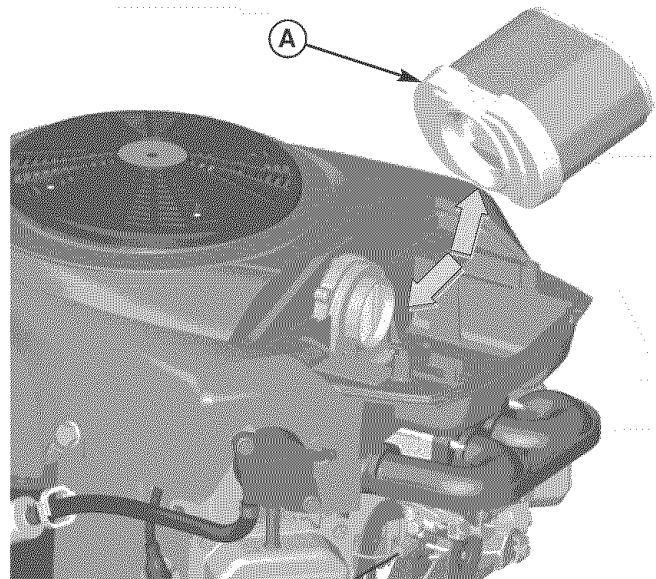


Figura 34. Instalación del filtro de aire
A. Cartucho del filtro

REEMPLACE LA BUJÍA DE ENCENDIDO - MODELOS BRIGGS & STRATTON

Intervalo de servicio: 100 horas

Separación de la bujía de encendido: .030" (.76mm)

1. Pare el motor y espere a que se enfríe.
2. Limpie el área alrededor de la bujía de encendido.
3. Remueva la bujía de encendido.
4. Verifique la separación de la bujía de encendido.
Deberá ser de .030" (refiérase a la Figura 35).
5. Reinstale la bujía dentro de la cabeza del cilindro.
Torque la bujía a 180 in. lbs (20 N.m.).

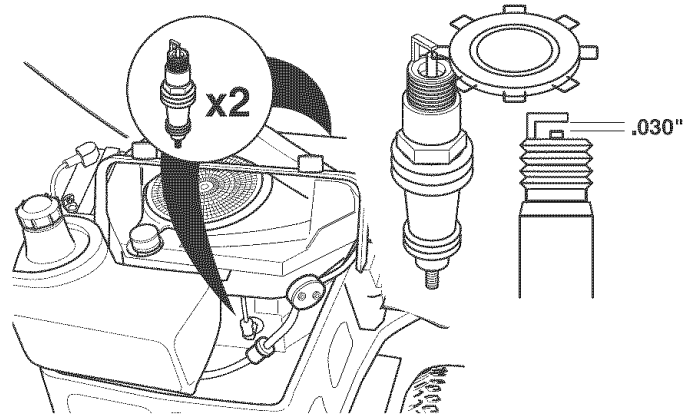


Figura 35. Entrehierro de la Bujía

LIMPIAR CÁMARA DE COMBUSTIÓN: MODELOS BRIGGS & STRATTON

Intervalo de servicio: Cada 100 a 400 horas

Para poder mantener el cumplimiento con las emisiones, recomendamos que después de cada 100 a 400 horas de operación solicite a un Centro de Servicio autorizado de Briggs & Stratton o de Sears que elimine los depósitos de combustión del cilindro, la cabeza del cilindro, la parte superior del pistón y alrededor de las válvulas.

SERVICIO Y AJUSTES

AJUSTE DE PALANCA DE CONTROL DE VELOCIDAD

Las palancas de control tienen tres ajustes:

Para Ajustar la Altura de las Palancas de Control:

Jale las palancas hacia adentro, encima del regazo del operador a la posición de DRIVE. Afloje los pernos de montaje (D, Figura 36) y suba o baje las palancas a la posición deseada. Apriete los pernos de montaje (D).

Para Ajustar la Brecha Final de las Palancas de Control:

La brecha final de las palancas de control deben ajustarse de modo que las palancas no se toquen entre sí cuando se pongan en posición de DRIVE. Afloje la contratuerca (A, Figura 36) y ajuste la longitud del tornillo de cabeza redonda (B) de modo que las palancas no se toquen entre sí. Repita lo mismo en el lado opuesto. Apriete la contratuerca (A) para fijar el tornillo de cabeza redonda en su posición.

Para Ajustar el Espacio Libre para el Operador:

El espacio entre el operador y las palancas de control puede incrementarse quitando el perno de montaje más bajo (D, Figura 36), girando la palanca hacia adelante y reinstalando el tornillo de cabeza hexagonal a través de las palancas de control y la ranura delantera (C). Repita lo mismo con la palanca de velocidad.

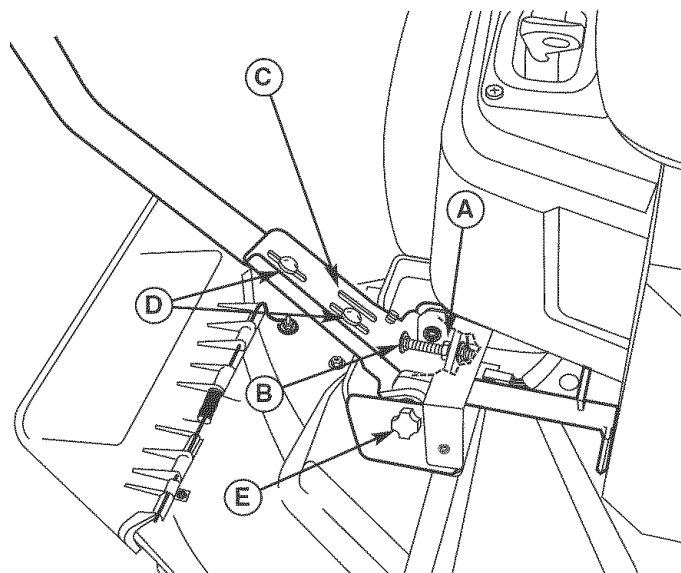


Figura 36. Ajuste de las Palancas de Control

- A. Contratuerca
- B. Tornillo de Cabeza Redonda
- C. Ranura Delantera
- D. Pernos de Montaje
- E. Perilla

AJUSTE DE BALANCEO DE VELOCIDAD

Si el tractor vira a la derecha o a la izquierda cuando las palancas del control de velocidad están en la posición de velocidad máxima hacia adelante, la velocidad máxima de cada una de las palancas puede balancearse girando las perillas de ajuste (E, Figura 36). Gire la perilla A LA IZQUIERDA para aumentar la velocidad o A LA DERECHA para disminuir la velocidad.

AJUSTE DE LA ALTURA DE CORTE

Para aumentar la altura de corte de la segadora (elevar la cubierta de la segadora), oprima la parte superior del ajuste de altura de corte de la segadora (A, Figura 37). Para disminuir la altura de corte de la segadora (bajar la cubierta de la segadora), oprima la parte inferior del ajuste. El rango de la altura de corte de la segadora es 3-3/4" a 1-1/2". El indicador de altura de corte indica la posición de la cubierta de la segadora. El indicador de altura de corte (B) se encuentra en la parte frontal del montable, justo detrás de la pierna izquierda del conductor.

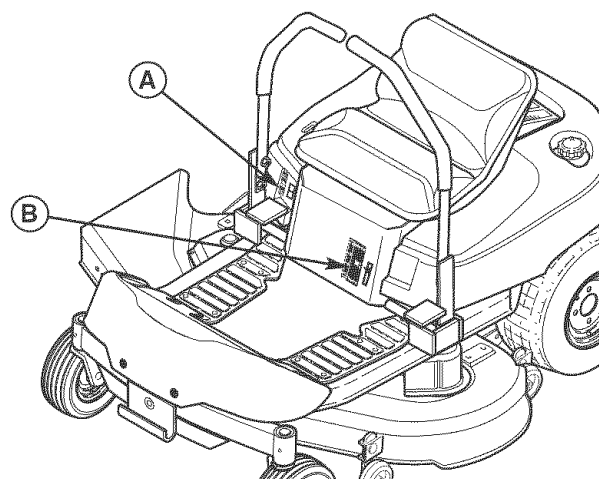


Figura 37. Ajuste de la altura de corte

- A. Ajuste de la altura de corte
- B. Indicador de altura de corte

AJUSTE DE EMBRAGUE DEL PTO

Vea REVISAR / AJUSTAR EMBRAGUE DEL PTO en la sección de Mantenimiento.

AJUSTE DEL FRENO

1. Pare la unidad, Gire la ignición en la posición OFF (apagado), coloque las palancas de velocidad en suelo en la posición PARK (parado), y espere a que todas las piezas que se encuentren en movimiento dejen de moverse.
2. Localice la varilla de freno (A, Figura 38) y la tuerca de ajuste (B).
3. Mida el resorte del freno de parada. La longitud de compresión, con las palancas de velocidad en suelo en la posición PARK (parado) deberá ser de 3" (7.62cm). Ajuste la longitud del resorte girando la tuerca de ajuste (B), de ser necesario.

ADVERTENCIA



Peligro de corrosión.

Las baterías contienen ácido. Conserve la batería siempre de pie y no derrame el electrolito. Evite el contacto con la piel y los ojos.



Peligro de explosión.

Cambiar la batería produce hidrógeno explosivo. Sólo cambiar la batería en una zona bien ventilada, lejos de cualquier fuente de ignición como, por ejemplo, calentadores de agua, motores eléctricos o cigarrillos encendidos.



Use equipo protector

Use siempre guantes y gafas de seguridad cuando manipule la batería y sus cables.

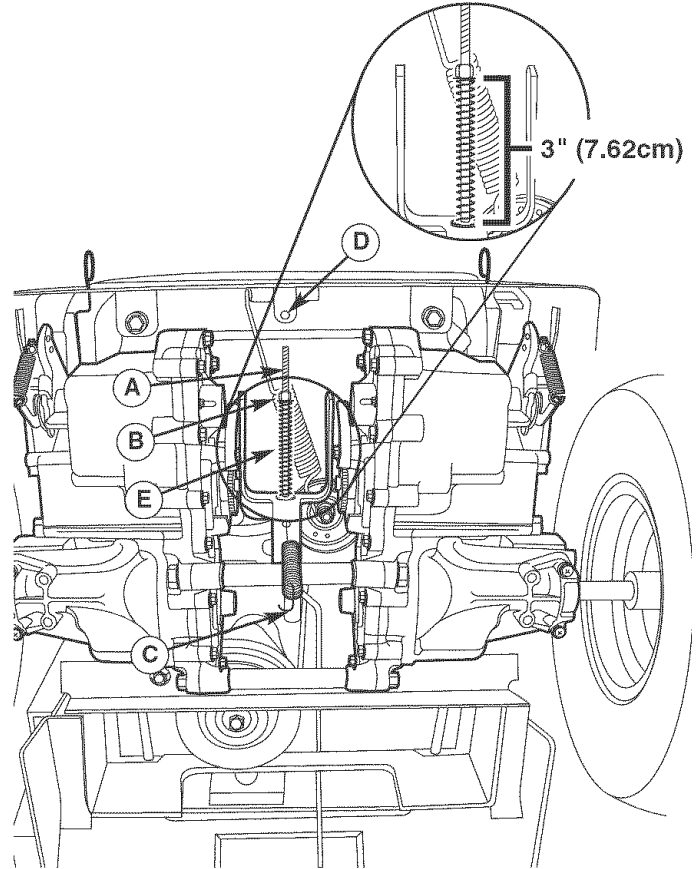


Figura 38. Ajuste del freno

A. Varilla del freno

B. Tuerca de ajuste

C. Resorte de devolución (eliminado sólo para fines de ilustración)

D. Orificio del resorte de devolución

E. Resorte del freno

RECARGA DE LA BATERÍA

Una batería descargada o una demasiado baja para arrancar el motor puede ser el resultado de un defecto en el sistema de recarga o algún otro componente eléctrico. Si tiene alguna duda sobre la causa del problema, póngase en contacto con un Centro de Partes y Reparaciones de Sears. Si necesita reemplazar la batería, siga los pasos bajo Limpieza de Batería y Cables en la Sección de Mantenimiento Regular.

Para recargar la batería, siga las instrucciones suministradas por el fabricante del recargador de baterías así como todas las advertencias incluidas en la sección de reglas de seguridad de este libro. Recargue la batería hasta que esté completamente cargada (hasta que la gravedad específica del electrolito sea 1.250 o mayor y la temperatura del electrolito sea por lo menos de 60° F). No recargue a un índice mayor de 10 amperes.

AJUSTES DEL MOTOR

El motor está diseñado para brindar un rendimiento correcto bajo todas las condiciones de operación. Cualquier tipo de ajustes deberán ser efectuados por Sears u otro taller de servicio calificado.

AJUSTE DE NIVEL DE LA CUBIERTA DE LA PODADORA

ADVERTENCIA

Antes de realizar ajustes a la segadora, desactive las cuchillas de la misma, gire el interruptor de encendido para apagar el motor, quite la llave y espere a que se detengan todas las piezas móviles. Desconecte el cable de bujías y sujételo lejos de la misma.

Si el corte es desigual, es posible que necesite nivelar la podadora. La causa del corte desigual puede ser que la presión de las llantas sea desigual o inadecuada. Vea VERIFICAR LA PRESIÓN DE LAS LLANTAS.

Nivelado de un Lado a Otro

1. Con la podadora instalada, coloque el tractor en una superficie lisa y nivelada como un piso de concreto. Gire las ruedas delanteras para que apunten hacia adelante. Apague el motor, ponga el freno de mano en PARK y espere a que se detengan todas las partes en movimiento.
2. Verifique que las aspas no estén dobladas y reemplácelas si es necesario.
3. Verifique la presión de las llantas. Vea VERIFICAR LA PRESIÓN DE LAS LLANTAS.
4. Ajuste la altura de corte a posición media. Coloque las aspas de la podadora de modo que apunten de un lado a otro (Figura 40).
5. Mida la distancia entre las puntas de las aspas externas y el suelo (Figuras 39 y 40). Si hay una diferencia mayor a 1/8" (3mm) entre las medidas en cada lado, proceda con el paso 6. Si la diferencia es de 1/8" (3mm) o menos, proceda con el Nivelado de Adelante hacia Atrás.
6. Vea la Figura 41. El nivelado de un lado a otro se logra usando las varillas roscadas (A) y el muñón (B) en la parte posterior derecha e izquierda de la cubierta de la segadora. Afloje las contratuercas (C) y ajústelas hacia arriba o hacia abajo para ajustar el nivel de la segadora. Cuando termine, apriete las contratuercas unas con otras para sujetar el ajuste en su lugar.

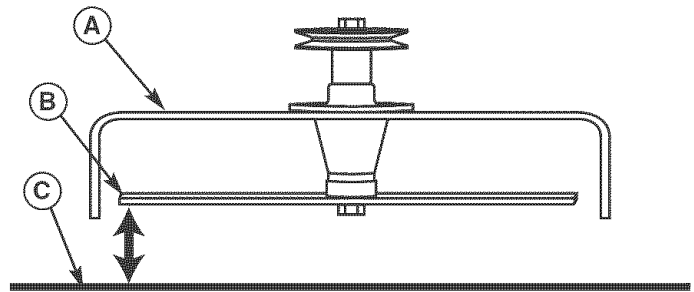


Figura 39. Medir las Puntas del Aspa con el Suelo

- A. Cubierta de la Podadora
- B. Punta del Aspa
- C. Suelo Nivelado

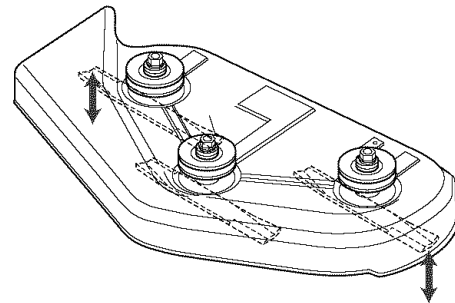


Figura 40. Orientar las Aspas de un Lado a Otro

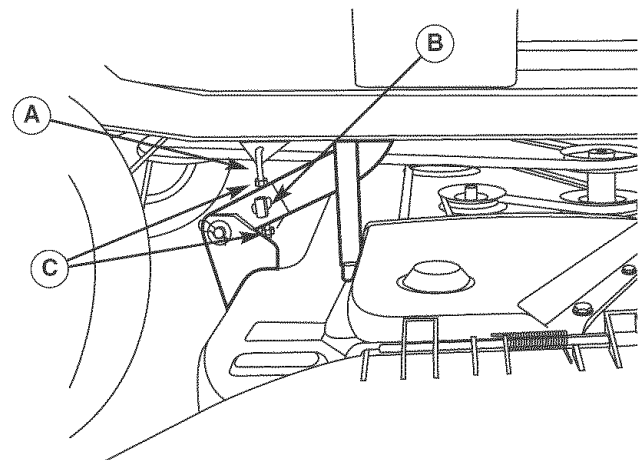


Figura 41. Ajuste de un Lado a Otro

- A. Varilla roscada
- B. Muñón
- C. Contratuercas

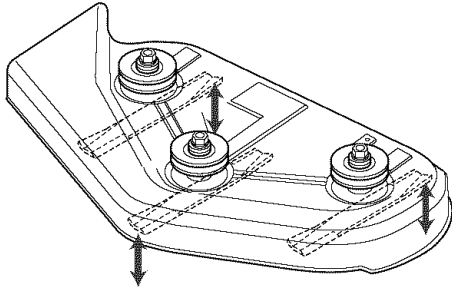


Figura 42. Orientar las Aspas de Adelante hacia Atrás

Nivelado de Adelante hacia Atrás

1. Gire las aspas de adelante hacia atrás como se muestra en la Figura 42. Mida la distancia del suelo a la punta delantera del aspa central, y del suelo a la punta trasera de las aspas izquierda y derecha (Figuras 39 y 42). Las puntas delanteras deben estar 1/8"-1/4" (3-6mm) más altas que las puntas traseras. Si no, proceda con el paso 2.
2. La varilla frontal de la sesgadora (A, Figura 43) se usa para ajustar el nivelado de adelante hacia atrás. Para levantar o bajar la parte delantera de la cubierta de la podadora, afloje las dos contratuercas traseras (B) en ambos lados de la varilla (A). Ajuste las contratuercas delanteras (C) en ambos lados de la varilla (A) para ajustar el nivel de la cubierta. Cuando esté ajustada correctamente, apriete las contratuercas traseras (B) para fijar la varilla en su lugar.

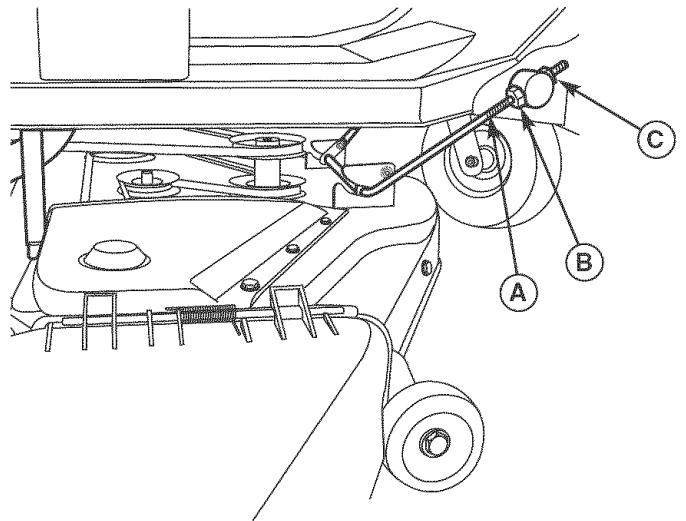


Figura 43. Nivelado de adelante hacia atrás

- A. Varilla
- B. Contratuerca trasera
- C. Contratuerca delantera

REEMPLAZO DE BANDA DE PODADORA

Reemplazo de Banda de Tracción de Podadora

1. Estacione el tractor en una superficie nivelada. Desacople el PTO, apague el motor y ponga el freno de mano. Quite la llave.
2. Use el brazo de la polea tensora (K, Figura 44) para liberar la tensión en la banda y quitar la banda de tracción de la podadora (F) de la polea de PTO (G).
3. Quite la banda de las poleas restantes de la cubierta. Nota: No es necesario quitar la cubierta de la podadora.
4. Instale la banda nueva (F) como se muestra en la Figura 44.

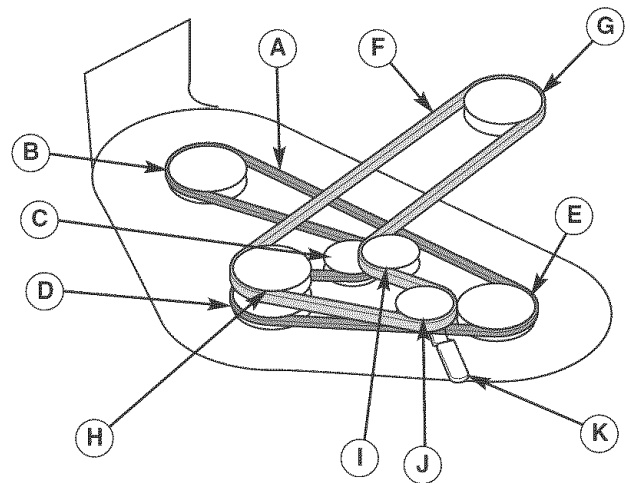


Figura 44. Disposición de Banda de PTO

- A. Banda de Tracción del Árbol de Sujeción
- B. Polea Derecha del Árbol de Sujeción
- C. Polea Tensora del Árbol de Sujeción
- D. Polea Central del Árbol de Sujeción
- E. Polea Izquierda del Árbol de Sujeción
- F. Banda de Tracción de la Podadora
- G. Polea del PTO del Motor
- H. Polea Motriz de la Podadora
- I. Polea Tensora de la Podadora
- J. Polea Tensora de Lado Trasero
- K. Brazo de Polea Tensora

Reemplazo de Banda de Tracción del Árbol de Sujeción

Póngase en contacto con un Centro de Partes y Reparaciones de Sears respecto a un reemplazo de la banda de tracción del árbol de sujeción (A, Figura 44).

ALMACENAMIENTO

ALMACENAMIENTO

Antes de almacenar su unidad en la temporada baja, lea las instrucciones de Mantenimiento y Almacenamiento en la sección de Reglas de Seguridad, luego realice los siguientes pasos:

- Desactive las cuchillas de la sesgadora, coloque las palancas de control de velocidad de avance en START/PARK (arrancar) y quite la llave del interruptor de encendido
- Verifique el nivel de todos los fluidos. Verifique todos los elementos de mantenimiento.
- La vida de la batería se incrementará si la quita, y la coloca en un lugar seco y fresco y la carga por completo una vez al mes. Si deja la batería en la unidad, desconecte el cable negativo.

Es importante evitar que se formen depósitos de goma en las partes esenciales de la instalación de combustible como el carburador, filtro de la gasolina, tubería del combustible y el tanque de gasolina durante el almacenamiento. Además, los combustibles mezclados con alcohol (llamados gasohol o usando etanol o metanol) puede atraer humedad que lleva a la separación y formación de ácidos durante el almacenamiento. El gas ácido puede dañar la instalación de combustible de un

⚠ ADVERTENCIA

Nunca almacene la unidad (con combustible) en una estructura cerrada con poca ventilación. Los vapores del combustible pueden viajar a una fuente de ignición (como un horno, calentador de agua, etc.) y ocasionar una explosión.

Los vapores del combustible también son tóxicos para los humanos y animales.

motor mientras está en almacenamiento.

Para evitar problemas con el motor, la instalación de combustible debe vaciarse antes del almacenamiento de 30 días o más. Siga estas instrucciones;

Para proteger el motor, se recomienda el uso del estabilizador de combustible.

Antes de arrancar la unidad después de estar almacenada:

- Verifique el nivel de todos los fluidos. Verifique todos los elementos de mantenimiento.
- Llene con combustible FRESCO.
- Después de arrancar, permita que el motor se caliente antes de operar.

ESPECIFICACIONES

NOTA: Las especificaciones son correctas al momento de la impresión y están sujetas a cambio sin previo aviso.

MOTOR:

Marca	Briggs & Stratton
Modelo	Intek
Potencia en caballos de fuerza*	24 a 3060 rpm*
Desplazamiento	725 cc (44,2 pulgadas cúbicas)
Sistema eléctrico	12 voltios, 16 amp. Alternador, batería: 340 CCA
Capacidad de aceite	1,9 L (64 oz.)

Marca	Kohler
Modelo	Courage
Potencia en caballos de fuerza	20 a 3600 rpm
Desplazamiento	597 cc (36,4 pulgadas cúbicas)
Sistema eléctrico	12 voltios, 15 amp. Alternador, batería: 340 CCA
Capacidad de aceite	1,5 L (51,1 oz.)

* Clasificación de Potencia

La clasificación de potencia para un modelo de motor en particular se desarrolla inicialmente comenzando con el código J1940 de SAE (Sociedad de Ingenieros Automotrices) (Procedimiento de Clasificación de Potencia & Torque del Motor Pequeño) (Revisión 2002-05). Dado ambos un amplio conjunto de productos en los cuales son puestos nuestros motores, y la variedad de asuntos ambientales aplicables al operar el equipo, puede que el motor que usted haya comprado no desarrolle la potencia nominal cuando sea usado en una parte del equipo acoplado (potencia real "en-el sitio"). Esta diferencia es debido a una variedad de factores incluyendo, pero no limitándose a, lo siguiente: diferencias en altitud, temperatura, presión barométrica, humedad, combustible, lubricación del motor, máxima velocidad regulada del motor, el motor particular a la variabilidad del motor, diseño de la parte en particular del equipo acoplado, la manera en la cual es operado el motor, el despegue -del motor para reducir la fricción y la limpieza de las cámaras de combustión, los ajustes a las válvulas y al carburador, y otra variedad de factores. Esta clasificación de potencia puede también ser ajustada basándose en comparaciones a otros motores semejantes utilizados en aplicaciones similares, y por lo tanto no se igualarán necesariamente los valores derivados usando los códigos anteriores.

TRANSMISIONES:

Tipo	Hydro-Gear EZT ZC-AHBB-2A7B-1DPX
Líquido para maquinaria hidráulica	Aceite del motor premium 20w 50
Par motor continuo	
Salida	115 lb./pie
Peso máximo en el eje	340 lb.

DIAGNÓSTICO

ADVERTENCIA

Para evitar lesiones graves, realice el mantenimiento del tractor o la podadora sólo con el motor apagado y el freno de mano en PARK. Siempre quite la llave del encendido, desconecte el cable de la bujía y sujételo lejos de la bujía antes de empezar con el mantenimiento, para evitar que el motor arranque accidentalmente.

Si lo prefiere, todos estos procedimientos pueden ser ejecutados para usted por un Centro de Partes y Reparaciones de Sears. Vea la contraportada respecto a información sobre el Centro de Partes y Reparaciones de Sears.

Diagnóstico del Tractor

PROBLEMA	CAUSA	REMEDIO
El motor no rota ni arranca.	Las palancas de velocidad de avance no están en START/PARK (arrancar).	Colóquelas en START/PARK (arrancar).
	La cuchilla de la sesgadora está activada.	Desactívela.
	Las palancas de velocidad no están en START/PARK.	Colóquelas en START/PARK (arrancar).
	El ahogador no está en posición de CLOSED	Mueva el ahogador a la posición de CLOSED
	El interruptor de encendido no está en START	Gire el interruptor de encendido a la posición de START
	No tiene combustible.	Deje enfriar el motor y llene de nuevo el tanque de combustible.
	Motor ahogado.	Coloque el ahogador en posición de OPEN (abierto) cuando dé marcha al motor.
	El combustible está viejo o viciado, o hay agua en el combustible.	Drene el combustible y llene con gasolina fresca. Comuníquese con Piezas y Reparaciones de Sears.
	Batería descargada.	Recargue o reemplace la batería.
	Bujías defectuosas, sucias o con entrehierro incorrecto.	Limpie y ajuste a entrehierro o reemplace.
	Cableado suelto o roto.	Revise el cableado y reemplace los cables rotos o raídos. Apriete las conexiones sueltas.
	Solenoido o motor de arranque defectuoso.	Reemplace. Comuníquese con Piezas y Reparaciones de Sears.
	Interruptor del intercierre defectuoso.	Reemplace. Comuníquese con Piezas y Reparaciones de Sears.
Interruptor del intercierre de seguridad defectuoso.	Reemplace. Contacte Partes y Reparaciones de Sears.	
El motor arranca difícil o no funciona bien.	Filtro de aire obstruido	Dé servicio al pre-limpiador y/o reemplace el elemento del filtro de aire.
	Ahogador sin colocar en la posición CLOSED (cerrado) durante el arranque del motor, o el ahogador sin colocar en la posición OPEN (abierto) después de que el motor haya arrancado.	Coloque el ahogador en la posición CLOSED (cerrado) durante el arranque del motor. Coloque el ahogador en la posición OPEN (abierto) cuando el motor esté andando. Si el motor está caliente no requerirá ser ahogado.
	Bujía defectuosa, sucia o con entrehierro incorrecto.	Limpie y ajuste a entrehierro o reemplace.
Motor golpetea.	Nivel del aceite bajo.	Verifique/agregue aceite según se requiera.
	Uso de aceite de grado incorrecto.	Vea "Cambiar el Aceite del Motor" en la Sección de Mantenimiento.
Excesivo consumo de aceite.	Motor se calienta demasiado mientras opera.	Limpie el abanico de enfriamiento del motor, la rejilla sopladora y el limpiador de aire.
	Uso de aceite de peso incorrecto.	Vea "Cambiar el Aceite del Motor" en la Sección de Mantenimiento.
	Demasiado aceite en el cárter.	Drene el aceite excedente.
El humo del escape del motor es negro.	Filtro de aire sucio.	Reemplace el filtro de aire. Vea "Reemplazar el Elemento del Filtro de Aire".
	Control del ahogador en posición de cerrado.	Abra el control del ahogador.

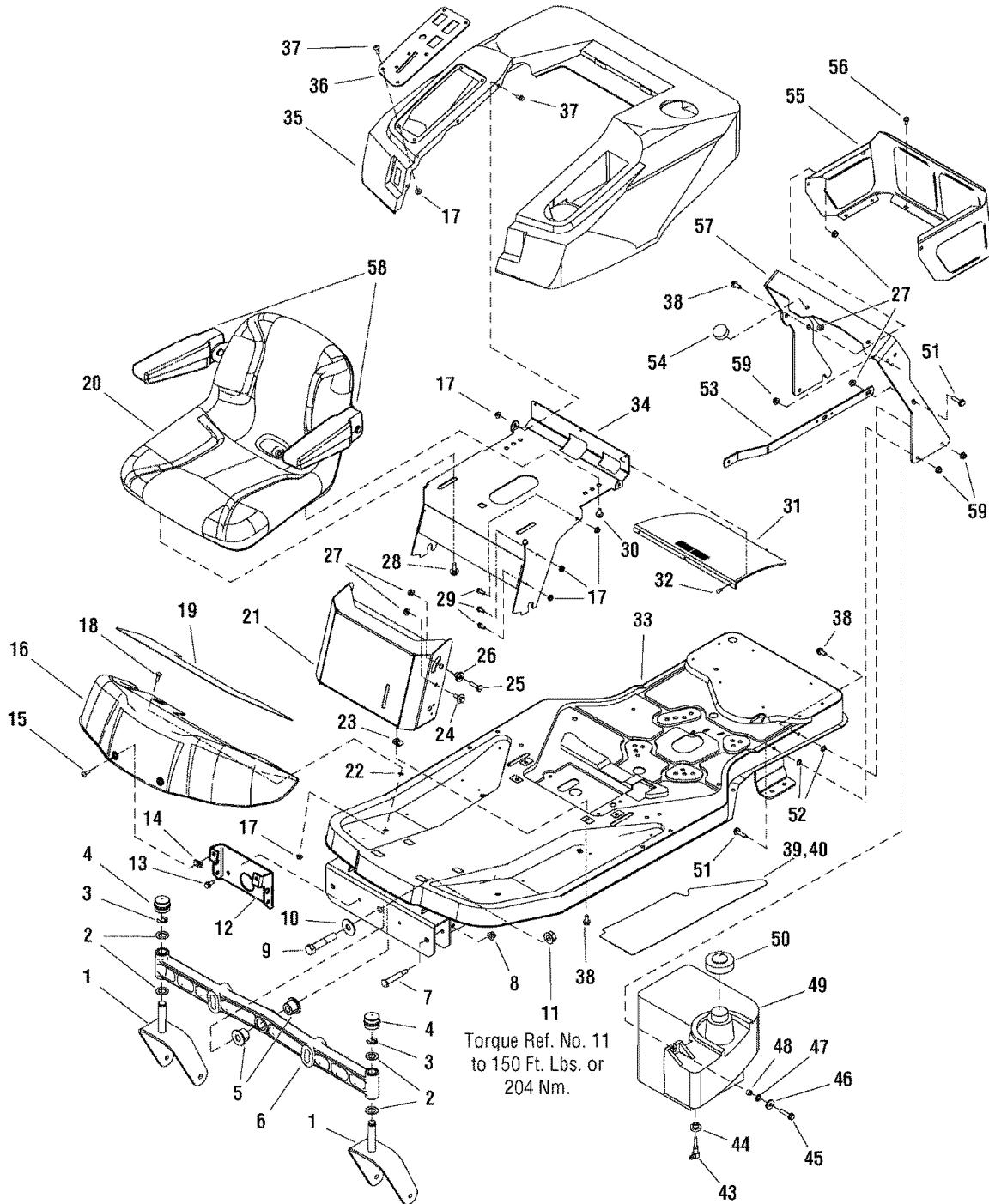
El motor opera pero el tractor no avanza.	Las palancas de desembrague de la transmisión en posición de EMPUJAR.	Mueva las palancas a la posición de DRIVE.
	La banda de tracción se barre.	Limpie o reemplace la banda según sea necesario.
	La banda está rota.	Reemplace banda. Contacte Partes y Reparaciones de Sears.
	Freno de mano no está desaccionado	Contacte Partes y Reparaciones de Sears.
Banda de tracción se barre.	Poleas o la banda con grasa o aceite.	Limpie según se requiera.
	La banda está estirada o desgastada.	Reemplace banda. Contacte Partes y Reparaciones de Sears.
El freno de mano no se mantiene.	El freno de mano está mal ajustado.	Vea la Sección de Ajustes.
Tractor se direcciona o maneja con deficiencia.	Inflado inadecuado de las llantas.	Vea la Sección de Mantenimiento.
	Acoplamiento de dirección está flojo.	Verifique y apriete las conexiones sueltas.
Tractor estira para un lado.	Las perillas de ajuste de velocidad no están ajustadas.	Vea AJUSTE DE BALANCEO DE VELOCIDAD

Diagnóstico de la sesgadora

PROBLEMA	CAUSA	REMEDIOS
Es difícil ajustar la altura de corte de la sesgadora.	El tornillo del motor para la altura de corte está sucio o necesita lubricarse.	Limpie a conciencia y lubrique la manivela de altura de corte con aceite.
	Mecanismo para la altura de corte desconectado.	Reconecte el mecanismo para la altura de corte
El corte de la sesgadora es desigual.	Las llantas del montable no están infladas de manera correcta o uniforme.	Vea la sección de Mantenimiento.
	La sesgadora no está debidamente nivelada.	Vea "Nivelado de la Sesgadora" en Servicio y ajustes.
El corte de la sesgadora es de aspecto tosco.	La velocidad del motor es muy lenta.	Siempre ponga el acelerador en FAST cuando podes el césped.
	La velocidad de avance es muy alta.	Disminuya la velocidad.
	Las cuchillas están desafiladas.	Afile o reemplace las cuchillas. Vea la sección de Mantenimiento.
	La banda de tracción se barre porque tiene aceite o está desgastada.	Limpie o reemplace la banda según sea necesario.
	Las cuchillas no están debidamente afianzadas al árbol de sujeción.	Vea "Revisar/Ajustar Cuchillas de Sesgadora" en la sección de Mantenimiento.
El motor se atasca con facilidad con la sesgadora activada.	La velocidad del motor es muy lenta.	Siempre ponga el acelerador en FAST al podar el césped.
	La velocidad de avance es muy alta.	Disminuya la velocidad.
	La altura de corte es muy baja.	Corte el césped alto con la altura máxima de corte en la primera pasada.
	Lado inferior de la cubierta está sucio.	Quite la cubierta de la sesgadora y limpie el lado inferior.
	La tolva de expulsión se atasca con la hierba cortada.	Corte el césped con la expulsión apuntando hacia el área anteriormente cortada.
Vibración excesiva de la sesgadora.	Pernos de montaje de las cuchillas flojos.	Apriete a 45-55 ft. lbs. (61-75 N.m.).
	Las cuchillas, árboles de sujeción o poleas están doblados.	Revise y reemplace según sea necesario.
	Las cuchillas de la sesgadora están fuera de equilibrio.	Reemplace o equilibre las cuchillas. Vea la sección de Mantenimiento.
	Banda instalada incorrectamente.	Reinstale correctamente.
La banda de tracción de la sesgadora se barre o no impulsa.	El resorte de la polea tensora está roto o no está debidamente fijo.	Repare o reemplace según sea necesario.
	La banda de tracción está rota.	Reemplace la banda de tracción.
	Embrague del PTO fuera de ajuste.	Ajuste el embrague del PTO. Vea la sección de Mantenimiento.

Repair Parts

NOTE: Unless noted otherwise,
use the standard hardware torque
specification chart.

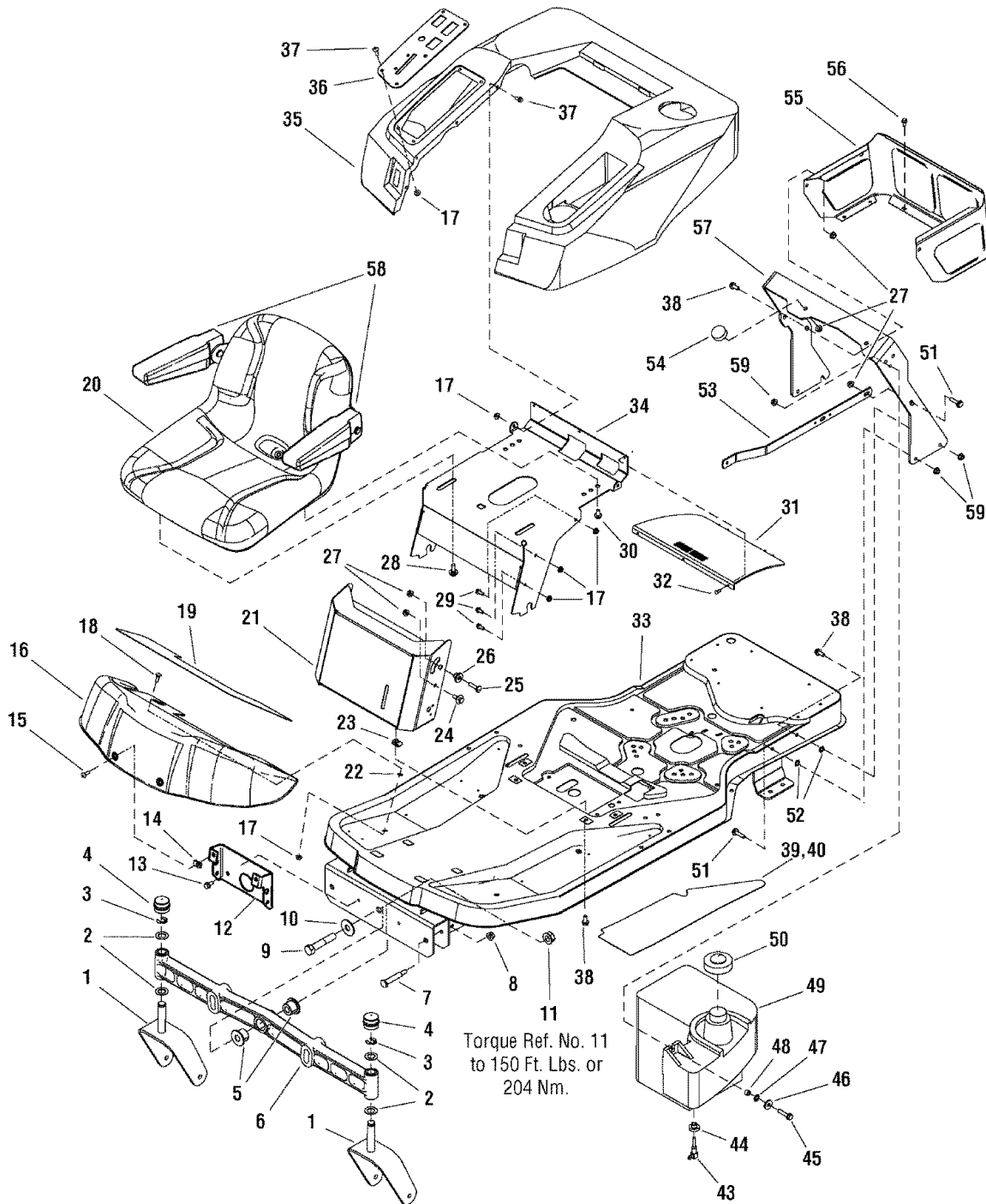


REF NO	PART NO.	QTY.	DESCRIPTION
1	1733448ASM	2	CASTER ASSEMBLY
2	1960160SM	4	WASHER, 3/4 ID x 1.6 OD x .05 THK
3	1611710SM	2	RING, Klipring, 3/4
4	1734135SM	2	CAP, Hub
5	1730186SM	2	BUSHING, Axle Pivot
6	1733426SM	1	AXLE, Casting (Includes Ref. Nos. 1, 2, 3, 4 & 5)
7	1733571SM	2	BOLT, Shoulder, G5
8	1960687SM	3	NUT, Hex Flange, 3/8-16 ESNA
9	2860744SM	1	CAPSCREW, Hex Head, 5/8-11 x 3-1/4, G5
10	1960035SM	1	WASHER, 5/8, .64 ID x 1-3/4 OD x .11 THK
11	2860646SM	1	NUT, Hex Flange Two-Way Lock, 5/8-11
12	1733304ASM	1	BRACKET, Front Footrest Support
13	1930601SM	2	SCREW, Hex Head Taptite, 5/16-18 x 5/8
14	1960368SM	2	NUT, Speed Lug Type, 1/4-20
15	1960715SM	8	SCREW, Truss Head Torx, 1/4-20 x 3/4
16	1726025ZSM	1	FRONT FOOTREST
17	1960694SM	14	NUT, Hex Flange, 1/4-20 ESNA
18	1931317SM	2	CARRIAGE BOLT, 1/4-20 x 3/4, G5
19	1726306SM	1	PAD, Footrest Panel
20	1726018SM	1	SEAT ASSEMBLY, with Armrests
21	1733573ASM	1	PANEL, Front with Slot
22	1960518SM	2	NUT, Push, 1/4
23	1935255SM	4	NUT, Speed Lug Type, 5/16-18
24	009X67MA	2	BOLT, Shoulder
25	1960223SM	2	CARRIAGE BOLT, 5/16-18 x 1-1/4, G5
26	1728086SM	2	PIVOT, Hood, Powdered Metal
27	1931277SM	8	NUT, Hex Flange Whiz Lock, 5/16-18
28	1716654SM	2	BOLT, Shoulder, G5
29	1960295SM	6	SCREW, Hex Whiz Lock Flange, 1/4-20 x 5/8
30	1960738SM	2	SCREW, Hex Flange Whiz Lock, 5/16-18 x 3/4 Dog PT
31	1708504SM	1	SCREEN, Seat Deck
32	1673320SM	3	RIVET, Pop
33	1733227ASM	1	FRAME ASSEMBLY
34	1733965ASM	1	SUPPORT, Seat
35	1728044SM	1	SEAT DECK, Plastic
36	1727699ASM	1	PLATE, Control
37	1960715SM	6	SCREW, Truss Head Torx, 1/4-20 x 3/4
38	1930591SM	5	SCREW, Hex Whiz Lock Flange, 5/16-18 x 3/4
39	1728986SM	1	PAD, Footrest R.H.
40	1728987SM	1	PAD, Footrest L.H.
43	1674792SM	1	ELBOW, Gas Tank
44	1726400SM	1	BUSHING, Fuel
45	1921221SM	1	CAPSCREW, 5/16, 18 x 1-1/2
46	1919381SM	1	WASHER, 5/16, .34 ID x 1 OD x .13 THK
47	2820427SM	1	LOCKWASHER, External Tooth, 3/8

Footnotes



NOTE: Unless noted otherwise,
use the standard hardware torque
specification chart.



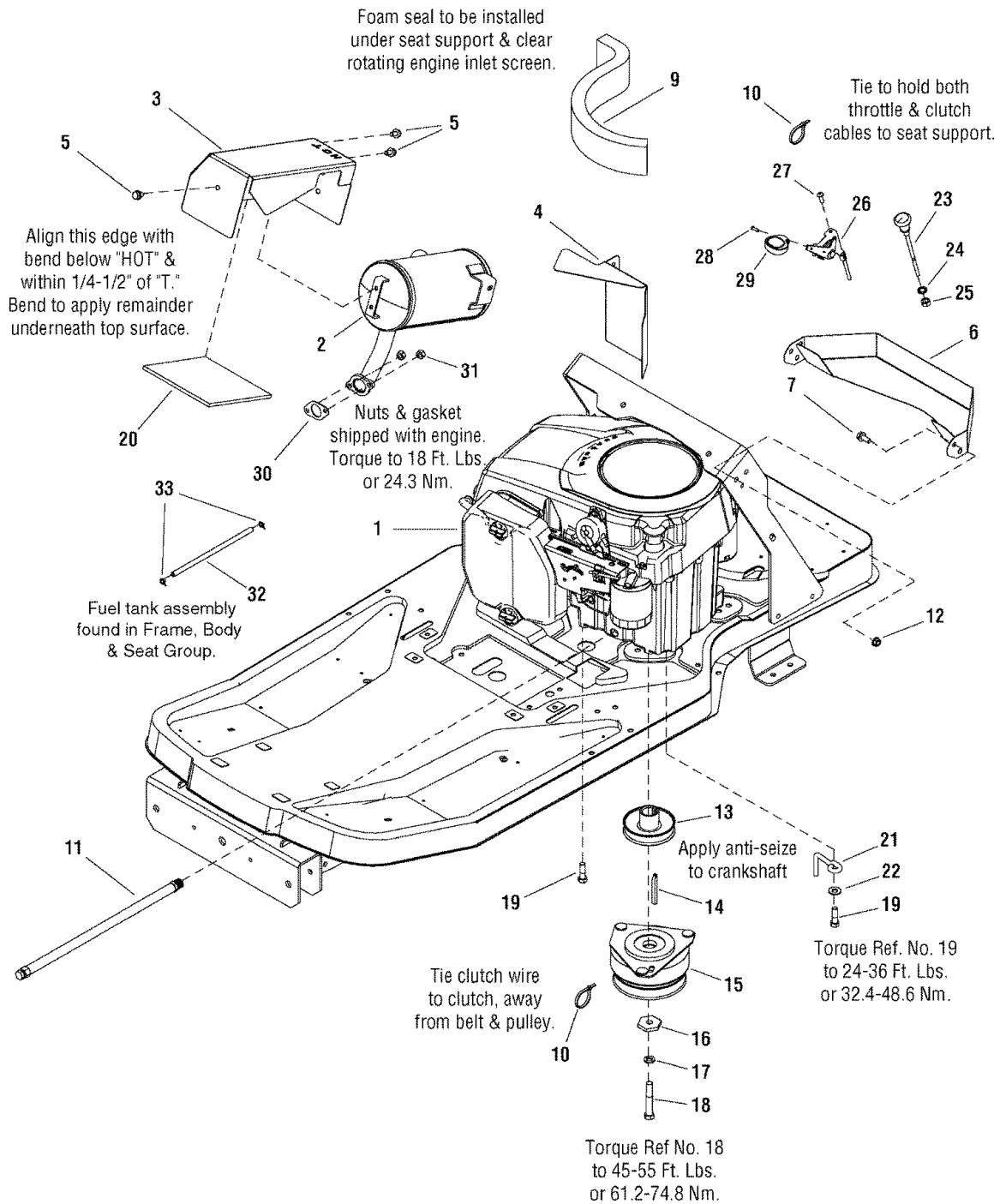
Frame, Body & Seat Group (987484)

ZTS 7500 - 107.27788 & 107.27790

REF NO	PART NO.	QTY.	DESCRIPTION
48	1710437SM	1	SPACER, .33 ID x 1/2 OD x 5/16 LG
49	1734257SM	1	TANK, Fuel
50	1714020SM	1	CAP, Fuel Tank
51	1921977SM	5	CAPSCREW, Hex Head, 5/16-18 x 1-1/4, G5
52	1933988SM	4	NUT, Push Pal, 5/16 DIA Thread, 5/8 OD
53	1727810ASM	1	BRACE, Tank
54	1726390SM	2	BUMPER, Rubber
55	1715962ASM	1	SHROUD, Rear
56	1925003SM	6	SCREW, Hex Washer Head Taptite, 1/4-20 x 1/2
57	1733393ASM	1	SUPPORT, Seat Deck
58	1687021SM	1	ARM REST KIT, L.H. & R.H.
59	1960686SM	5	NUT, Hex Flange Nylock, 5/16-18

Footnotes

NOTE: Unless noted otherwise, use the standard hardware torque specification chart.



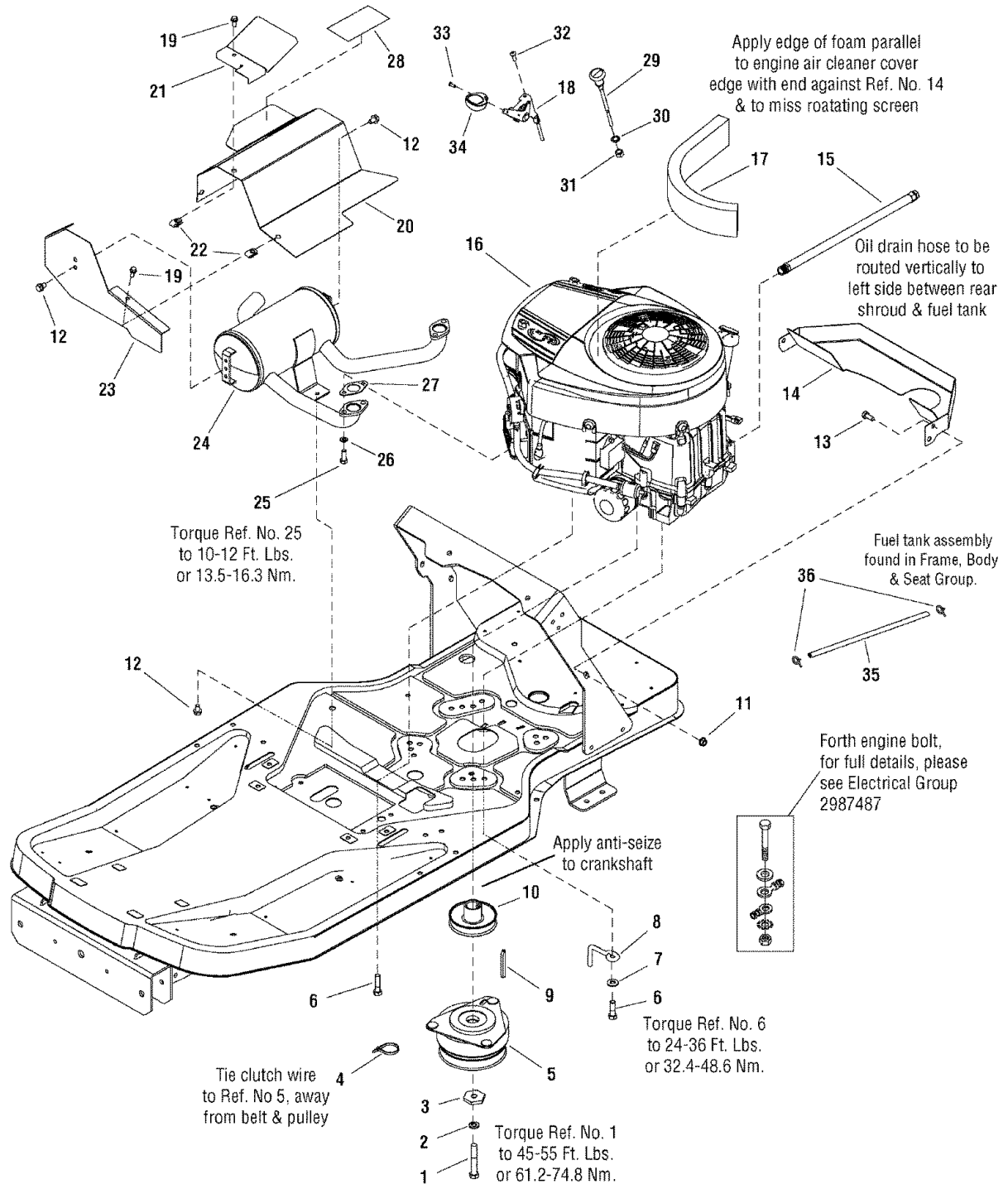
REF NO	PART NO.	QTY.	DESCRIPTION
1	*	1	ENGINE, 20HP Kohler Courage (Model - SV600S, Type - 0010)
2	1727809SM	1	MUFFLER, Kohler 20HP Courage ZT 7000
3	1728050SM	1	SHIELD, Muffler Top Kohler ZT 20/44
4	1734149ASM	1	SHIELD, Heat Inner Kohler
5	1924856SM	3	SCREW, Hex Washer Head Taptite, 5/16-18 x 1/2
6	1727945ASM	1	DUCT, Air Inlet Kohler ZT
7	1930591SM	2	SCREW, Hex Whiz Lock Flange, 5/16-18 x 3/4
9	1727928SM	1	SEAL, Foam, 1 x 2-1/2, 12" LG Curved
10	2832747SM	2	TIE, Self-Locking, .09 WD x 3.62 LG
11	1726498SM	1	HOSE, Oil Drain, 3/8 ID 16-1/2 LG
12	1931277SM	2	NUT, Hex Whiz Lock Flange, 5/16-18
13	1727816SM	1	PULLEY, 3.74 OD x 1.003 ID x 1.88 LG
14	1720463SM	1	KEY, Hi-Pro, 1/4 x 2-1/2
15	1717664SM	1	CLUTCH, #504586, Electric, Ogura JD-11
16	1708264SM	1	WASHER, Hex, .453 ID x 1-1/2 A/F 1/4 TH
17	1918199SM	1	LOCKWASHER, Spring
18	1960648SM	1	CAPSCREW, Hex Head, 7/16-20 x 2-3/4, G5
19	2828635SM	3	SCREW, Hex Washer Head Taptite, 3/8-16 x 1-1/4
20	1728110SM	1	INSULATION, Ceramic Fibers
21	1734049SM	1	RETAINER, Clutch
22	1924940SM	1	WASHER, 3/8
23	7100416SM	1	CHOKE, Cable
24	7090390SM	1	WASHER, Lock Internal Tooth, 3/8
25	7091630SM	1	NUT, Hex Head, 3/8
26	7075449SM	1	CONTROL, Throttle
27	7090999SM	2	SCREW, Pan Head Torx Taptite, 1/4-20 x 5/8
28	7091195SM	1	SCREW, Pan Head Combo Taptite, #10-16 x 3/4
29	7100529SM	1	KNOB, Plastic
30	*	1	GASKET, Muffler
31	*	2	NUT, Muffler
32	1726594SM	1	HOSE, Fuel, 11.5" (See Frame, Body & Seat Group for fuel tank assembly.)
33	2860112SM	2	CLAMP, Hose

Footnotes

Note * See Kohler Engine Repair Parts.



NOTE: Unless noted otherwise, use the standard hardware torque specification chart.



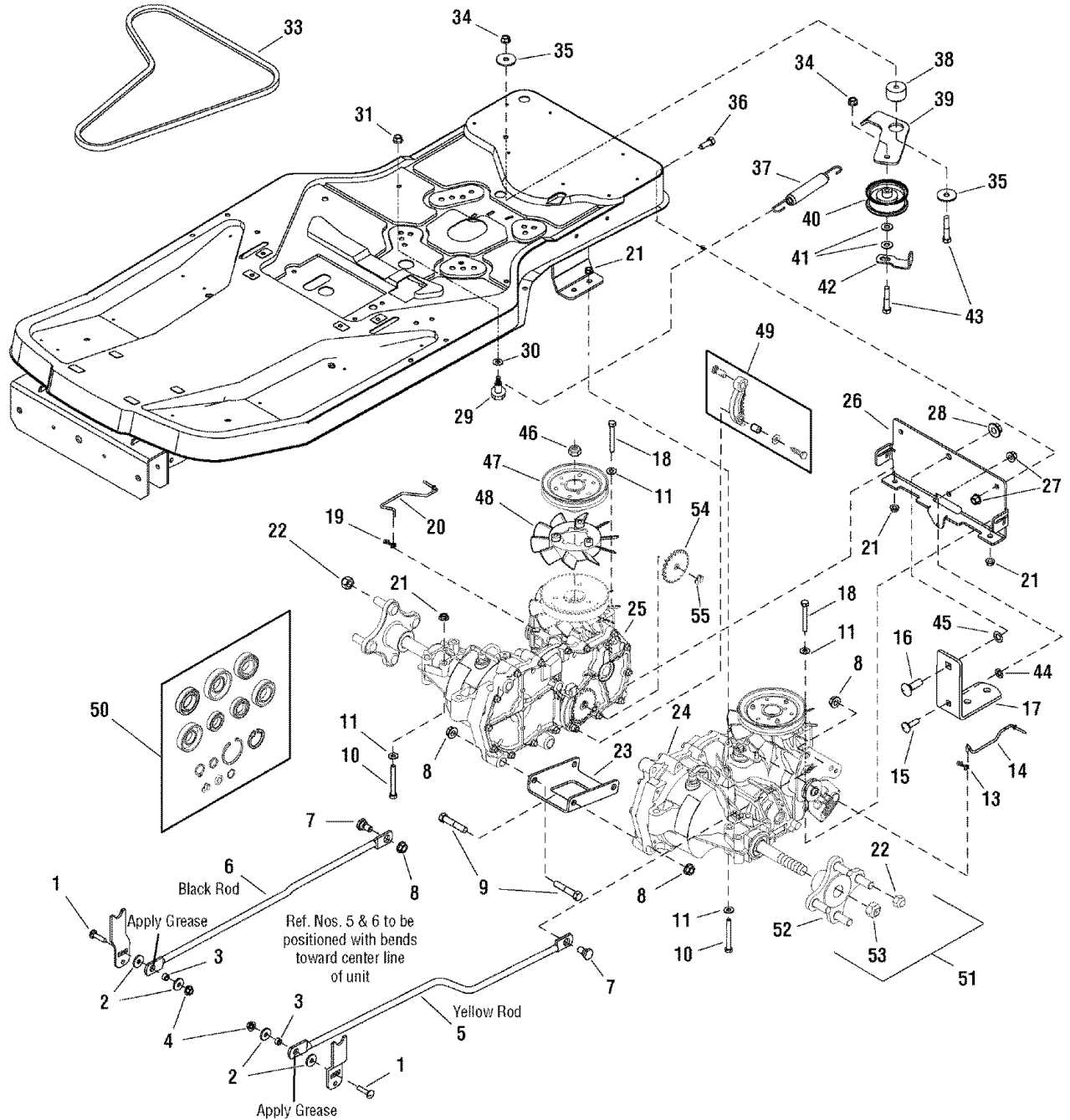
REF NO	PART NO.	QTY.	DESCRIPTION
1	1960648SM	1	CAPSCREW, Hex Head, 7/16-20 x 2-3/4, G5
2	1918199SM	1	LOCKWASHER, Spring
3	1708264SM	1	WASHER, Hex, 7/16
4	2832747SM	1	TIE, Self-Locking, 3.62"
5	1717664SM	1	CLUTCH, Electric Ogura
6	2828635SM	3	SCREW, Hex Washer Head Taptite, 3/8-16 x 1-1/4
7	1924940SM	1	WASHER, 3/8
8	1734049SM	1	RETAINER, Clutch
9	1720463SM	1	KEY, Hi-Pro, 1/4 x 2-1/2
10	1727816SM	1	PULLEY ASSEMBLY, Engine
11	1931277SM	2	NUT, Hex Whiz Lock Flange, 5/16-18
12	1924856SM	4	SCREW, Hex Washer Head Taptite, 5/16-18 x 1/2
13	1921332SM	2	CAPSCREW, Hex Head, 5/16-18 x 3/4, G5
14	1733414ASM	1	AIR DUCT, Inlet
15	1726498SM	1	HOSE, Oil Drain, 16.5"
16	*	1	ENGINE, 24HP B&S (Model - 44M777, Type - 0113, Trim - E1)
17	1734169SM	1	SEAL, Foam Air Inlet
18	1734332SM	1	THROTTLE ASSEMBLY
19	1960295SM	4	SCREW, Hex Whiz Lock Flange, 1/4-20 x 5/8
20	1734246ASM	1	HEAT SHIELD, Muffler Top
21	1728017SM	1	HEAT SHIELD, Throttle
22	1960368SM	4	NUT, Speed, 1/4-20
23	1727939SM	1	HEAT SHIELD, Muffler Side
24	1734061SM	1	MUFFLER, 24HP V-Twin ELS
25	1936228SM	4	CAPSCREW, Hex Head, 5/16-18 x 3/4, G8
26	1917356SM	4	LOCKWASHER, Spring, 5/16
27	1731214SM	2	GASKET, Exhaust
28	1734273SM	1	DECAL, Hot Exhaust
29	1734333SM	1	CABLE, Choke
30	7090390SM	1	WASHER, Lock Internal Tooth, 3/8
31	7091630SM	1	NUT, Hex, 3/8
32	7090999SM	2	SCREW, Taptite Pan Head Torx, 1/4-20 x 5/8
33	7091195SM	1	SCREW, Taptite Pan Head Combo, #10-16 x 3/4
34	7100529SM	1	KNOB, Throttle
35	1664516SM	1	HOSE, Fuel, 19.5" (See Frame, Body & Seat Group for fuel tank assembly.)
36	2860112SM	2	CLAMP, Hose

Footnotes

Note * See Briggs & Stratton Engine Repair Parts.



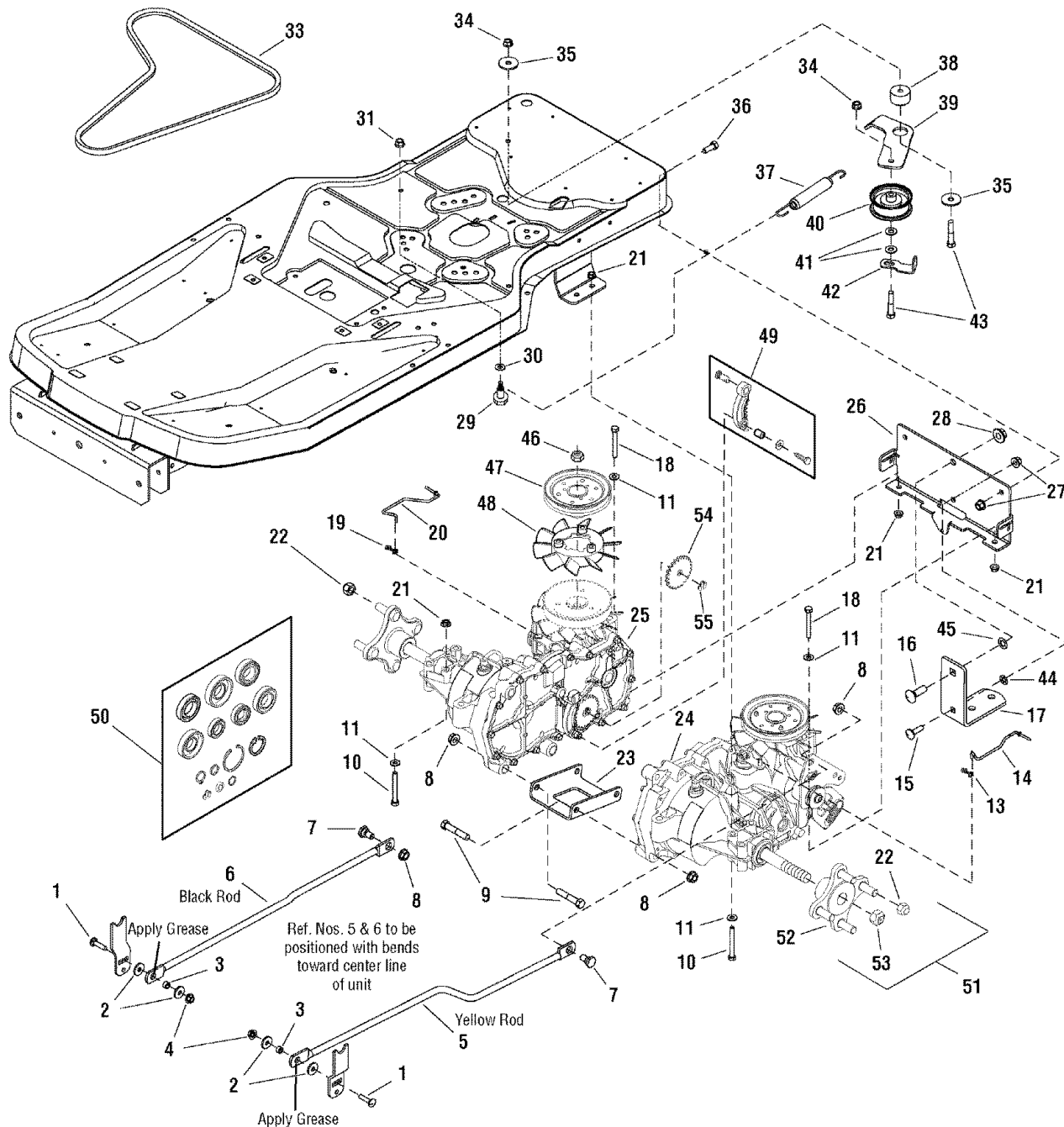
NOTE: Unless noted otherwise,
use the standard hardware torque
specification chart.



REF NO	PART NO.	QTY.	DESCRIPTION
1	1960223SM	2	CARRIAGE BOLT, 5/16-18 x 1-1/4, G5
2	1919381SM	4	WASHER, .34 ID x 1 OD x .13 THK
3	1703900SM	2	SPACER
4	1960684SM	2	NUT, Hex Keps, 5/16-18
5	1727555SM	1	ROD, Control L.H.
6	1727556SM	1	ROD, Control R.H.
7	1727831SM	2	BOLT, Shoulder
8	1930650SM	6	NUT, Hex Flange Two-Way Lock, 7/16-14
9	1927120SM	4	CAPSCREW, Hex Head, 7/16-14 x 2-1/4, G8
10	1923141SM	4	CAPSCREW, Hex Head, 5/16-18 x 2-3/4, G5
11	1919326SM	6	WASHER, .34 ID x 3/4 OD x .06 THK
13	1717024SM	1	CLIP, Rod End Linkage
14	1733913SM	1	ROD, Tow Valve L.H.
15	1960268SM	1	CARRIAGE BOLT, 3/8-16 x 1-1/4, G5
16	1960758SM	1	CARRIAGE BOLT, 1/2-13 x 1-1/2, G5
17	1733305ASM	1	DRAWBAR
18	1921719SM	2	CAPSCREW, Hex Head, 5/16-18 x 2-1/2, G5
19	1725550SM	1	CLIP, Rod End Linkage
20	1733914SM	1	ROD, Tow Valve R.H.
21	1931277SM	6	NUT, Hex Flange Whiz Lock, 5/16-18
22	5020601SM	8	NUT, Wheel Hex, 1/2-20
23	1733309ASM	1	SUPPORT, Transmission Center
24	1733351SM	1	TRANSMISSION, Hydro Gear EZT L.H.
25	1733352SM	1	TRANSMISSION, Hydro Gear EZT R.H.
26	1733302ASM	1	SUPPORT, Transmission Rear
27	1960687SM	3	NUT, Hex Flange, 3/8-16 ESNA
28	5025396SM	1	NUT, Hex Flange, 1/2-13
29	1728976SM	1	BOLT, Shoulder
30	1924874SM	1	WASHER, .34 ID x .87 OD x .06 THK
31	1927557SM	1	NUT, Hex Flange, 5/16-18
33	1732224SM	1	V-BELT, Transmission Drive, 54.4
34	1930645SM	2	NUT, Hex Flange Two-Way Lock, 3/8-16
35	1924356SM	2	WASHER, .41 ID x 1-1/2 OD x .12 THK
36	1921210SM	2	CAPSCREW, Hex Head, 3/8-16 x 1, G5
37	1734316SM	1	SPRING, Extension
38	1729007SM	1	SPACER, Powdered Metal
39	1733303ASM	1	ARM, Idler
40	1721133SM	1	PULLEY, Idler Flat
41	1924940SM	2	WASHER, .41 ID x .87 OD x .08 THK
42	1708352ASM	1	BELT GUIDE
43	1923701SM	2	CAPSCREW, Hex Head, 3/8-16 x 2, G5
44	1931942SM	1	NUT, Push Pal, 3/8
45	1960759SM	1	NUT, Push Pal, 1/2
46	1930633SM	2	NUT, Hex Head Center Lock
47	1728073SM	2	PULLEY, 4-1/2" Transmission
48	1728074SM	2	FAN, 6" Transmission
49	1728075SM	1	PARKING BRAKE ARM ASSEMBLY, Transmission

Footnotes

NOTE: Unless noted otherwise,
use the standard hardware torque
specification chart.



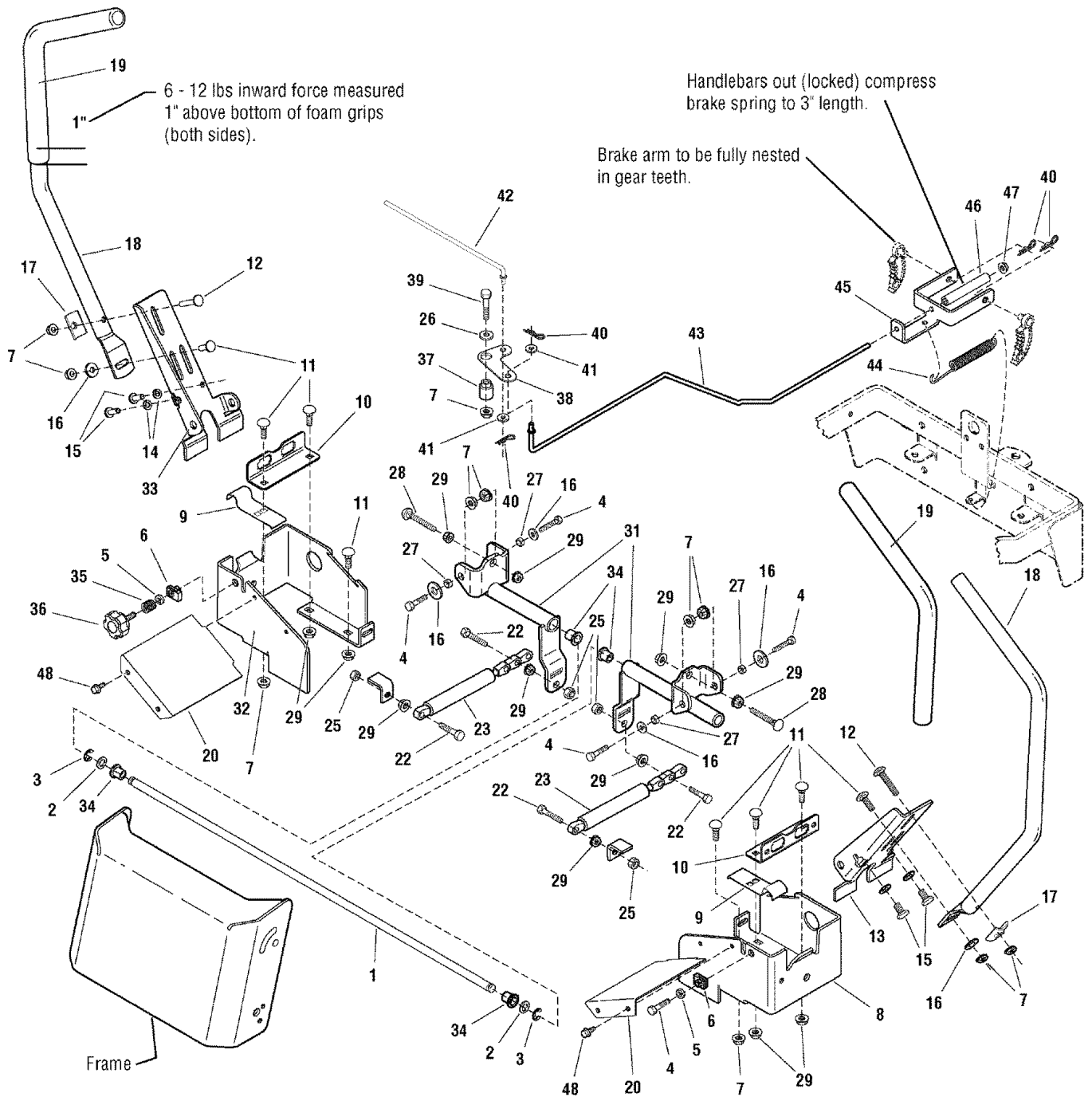
Transmission Group (987493)

ZTS 7500 - 107.27788 & 107.27790

REF NO	PART NO.	QTY.	DESCRIPTION
50	1728060SM	1	HYDRO SEAL KIT
51	1687283SM	2	HUB REPLACEMENT KIT
52	1733870SM	2	HUB, EZT Transmission
53	5020601SM	2	NUT, EZT Transmission
54	1728076SM	1	GEAR, Parking Brake, Transmission
55	1716622SM	1	CLIP, E Transmission Parking Brake

Footnotes

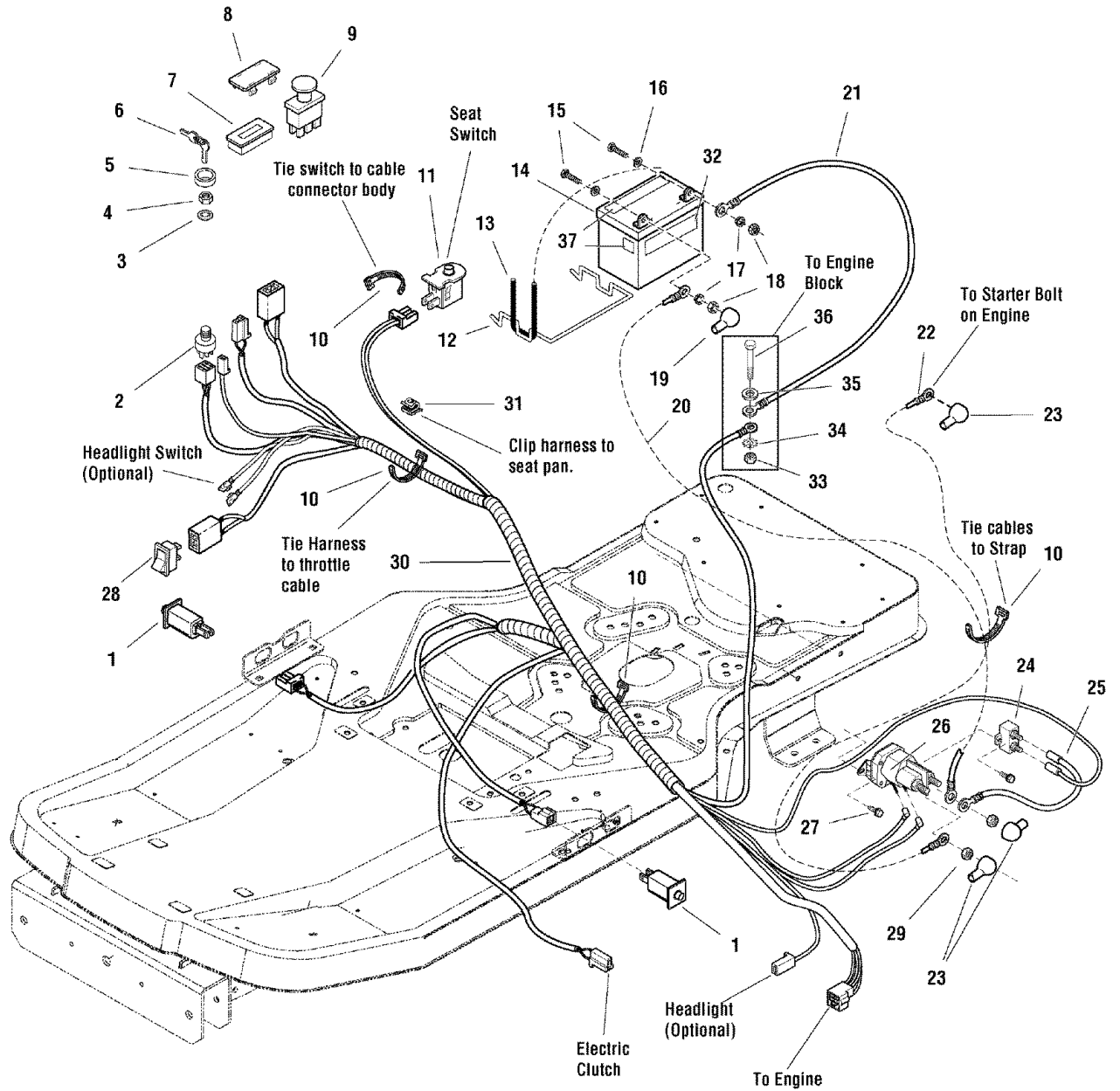
NOTE: Unless noted otherwise,
use the standard hardware torque
specification chart.



REF NO	PART NO.	QTY.	DESCRIPTION
1	1725927SM	1	SHAFT, Cross
2	1960027SM	2	WASHER, 1/2
3	1703805SM	2	RING, Klipring Extension
4	1921977SM	5	CAPSCREW, Hex Head, 5/16-18 x 1-1/4, G5
5	1920161SM	6	NUT, Hex Jam, 5/16-18
6	1960717SM	2	NUT, Speed, 5/16-18 Lug Type
7	1960686SM	15	NUT, Hex Flange, 5/16-18 ESNA
8	1728009ASM	1	BRACKET, L.H. Mounting Handle Pivot
9	1727919SM	2	CLIP, Brake
10	1727663ASM	2	BRACKET, "L" Switch
11	1931335SM	8	CARRIAGE BOLT, 5/16-18 x 1, G5
12	1931338SM	2	CARRIAGE BOLT, 5/16-18 x 1-3/4, G5
13	1727926ASM	1	BRACKET, Tube Mount L.H.
14	1917356SM	4	LOCKWASHER, Spring, 5/16
15	1960086SM	4	SCREW, Truss Head Torx Drive, 5/16-18 x 7/8
16	1919381SM	6	WASHER, 5/16
17	1720452SM	2	CLAMP, Saddle Snow Handle, E-Coat
18	1727796ASM	2	TUBE, Handle
19	1726410SM	2	GRIP, Foam Handle
20	1727933ASM	2	COVER, Lower Handle
22	1921221SM	4	CAPSCREW, Hex Head, 5/16-18 x 1-1/2, G5
23	1727918SM	2	SHOCK ABSORBER
25	1919438SM	4	NUT, Hex Lock ESNA Light, 5/16-18NC-3B
26	1919326SM	1	WASHER, 5/16
27	1666697SM	4	SPACER, Powdered Metal
28	1960723SM	2	CARRIAGE BOLT, 5/16-18 x 2-1/4, G5
29	1931277SM	8	NUT, Hex Flange Whiz Lock, 5/16-18
31	1727603ASM	2	PIVOT ASSEMBLY, Control
32	1728010ASM	1	BRACKET, R.H. Mounting Handle Pivot
33	1727927ASM	1	BRACKET, Tube Mount R.H.
34	1715025SM	4	BUSHING
35	1701342SM	1	SPRING, Compression (Early Models)
36	1726839SM	1	KNOB, Extension Thread, 5/16-18 x 1-1/4
37	1666106SM	1	BUSHING, Powdered Metal
38	1727667SM	1	BRACKET, Pivot
39	1922127SM	1	CAPSCREW, Hex Head, 5/16-18 x 1-3/4, G5
40	1722460SM	4	PIN, Quick
41	1921319SM	2	WASHER, 1/4
42	1727669SM	1	ROD, Pivot
43	1733357SM	1	ROD, 1/4-20 x 2
44	1709314SM	1	SPRING, Extension
45	1727814ASM	1	BRACKET, Duel Brake
46	1729277SM	1	SPRING, Compression
47	1960694SM	1	NUT, Hex Flange, 1/4-20 ESNA
48	1925003SM	2	SCREW, Hex Washer Head Taptite, 1/4-20 x 1/2

Footnotes

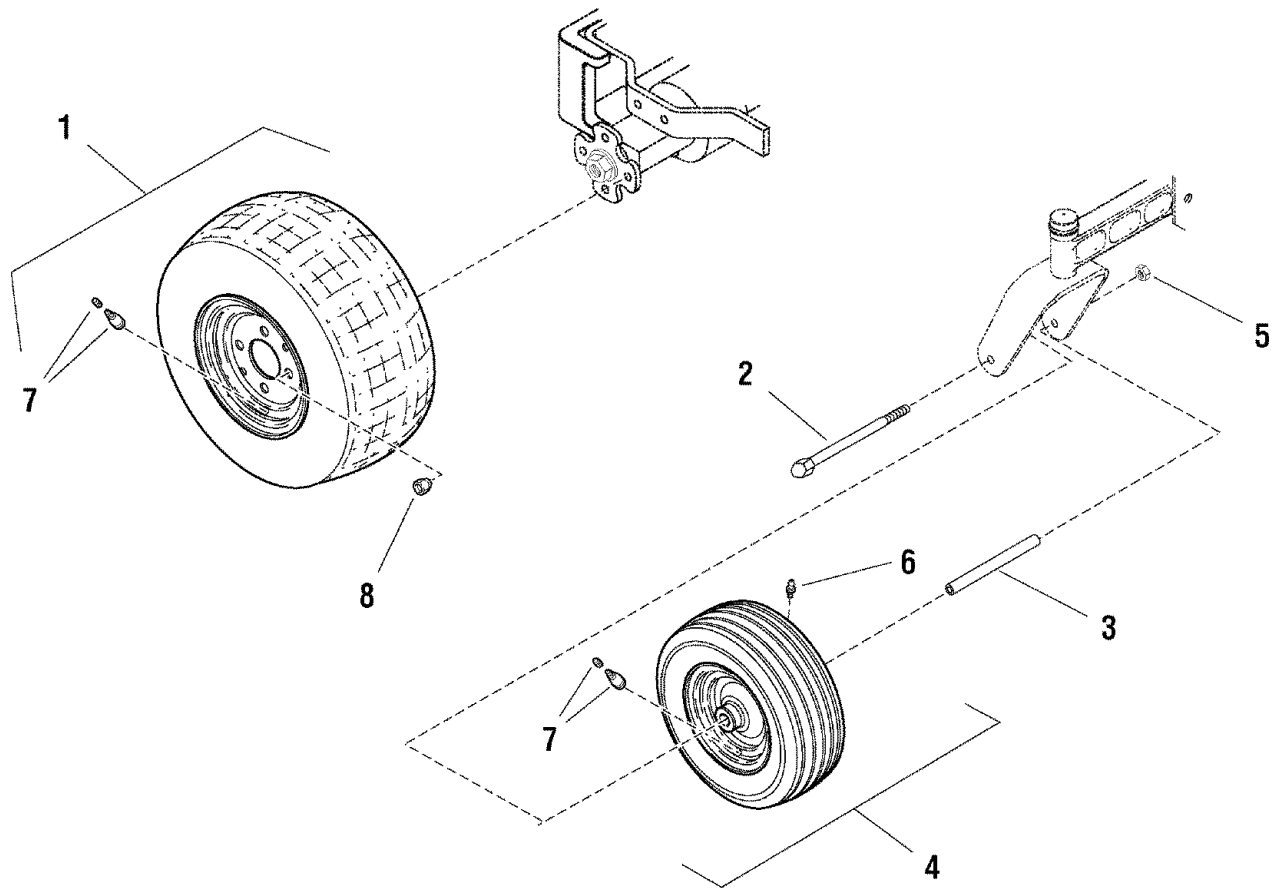
NOTE: Unless noted otherwise,
use the standard hardware torque
specification chart.



REF NO	PART NO.	QTY.	DESCRIPTION
1	1732006SM	2	SWITCH, Push Button
2	1686734SM	1	SWITCH ASSEMBLY, Ignition, 5/8-32 6 Pin Indak (Includes Ref. Nos. 20, 21, 26, & 37)
3	1960547SM	1	LOCKWASHER, Internal Tooth, 5/8 Thin
4	1717549SM	1	NUT, Hex Flange, 5/8-32 IGN SW Die Cast
5	1717550SM	1	COVER, Ignition Switch
6	1717163SM	2	KEYS (Set of Two)
7	1731185SM	1	HOUR METER, No Alarms
8	1722611SM	1	PLUG, Hole
9	1722887SM	1	SWITCH, PTO Push/Pull Symbols
10	2825094SM	4	TIE, Self Locking, .184 WD 7.31 LG
11	1732005SM	1	SWITCH, Push Button
12	1667805SM	1	BRACE, Battery, .19 DIA Wire
13	1665872SM	1	STRAP, Black Rubber, .19 SQ 7.88 OD Battery
14	-----	1	BATTERY, 12 Volt 6 Cell 340CCA
15	2823341SM	2	CAPSCREW, Hex Head, 1/4-20 x 3/4, G5
16	2821319SM	2	WASHER, 1/4, .27 ID x .62 OD x .05 THK
17	2816964SM	2	LOCKWASHER, Spring, 1/4
18	2816622SM	2	NUT, Hex, 1/4-20 NC-2B
19	1677296SM	1	BOOT, Insulator, Red PVC Warning
20	1716549SM	1	CABLE, # 6 x 10 LG, Red Two-Ring Terminals
21	1713163SM	1	CABLE, # 6 X 26 LG, Two-Ring Terminals
22	1727668SM	1	CABLE, # 6 x 15 LG, Two-Ring Terminals
23	1724588SM	3	COVER, Terminal Red PVC
24	1665238SM	1	BREAKER, Circuit, 12 Volt 20 AMP
25	1665237SM	1	WIRE, 12 Gauge, 7.9 LG
26	7075622SM	1	SOLENOID, Two Terminals, Trombetta
27	1925003SM	2	SCREW, Hex Washer Head Taptite, 1/4-20 x 1/2
28	1734141SM	1	SWITCH, Electric Height of Cut
29	2860750SM	2	NUT, Hex Keps, 5/16-24
30	1734127SM	1	HARNESS, Wiring
31	2172434SM	1	CABLE, Clip
32	1730185SM	1	DECAL, Danger Poison
33	1931277SM	1	NUT, Hex Whiz Lock Flange, 5/16-18
34	2820427SM	1	LOCKWASHER, External Tooth, 3/8
35	1919326SM	1	WASHER, 5/16, .34 ID x 3/4 OD x .06 THK
36	1921978SM	1	CAPSCREW, Hex Head, 5/16-18 x 2, G5
37	1730184SM	1	DECAL, Diehard

Footnotes

NOTE: Unless noted otherwise,
use the standard hardware torque
specification chart.



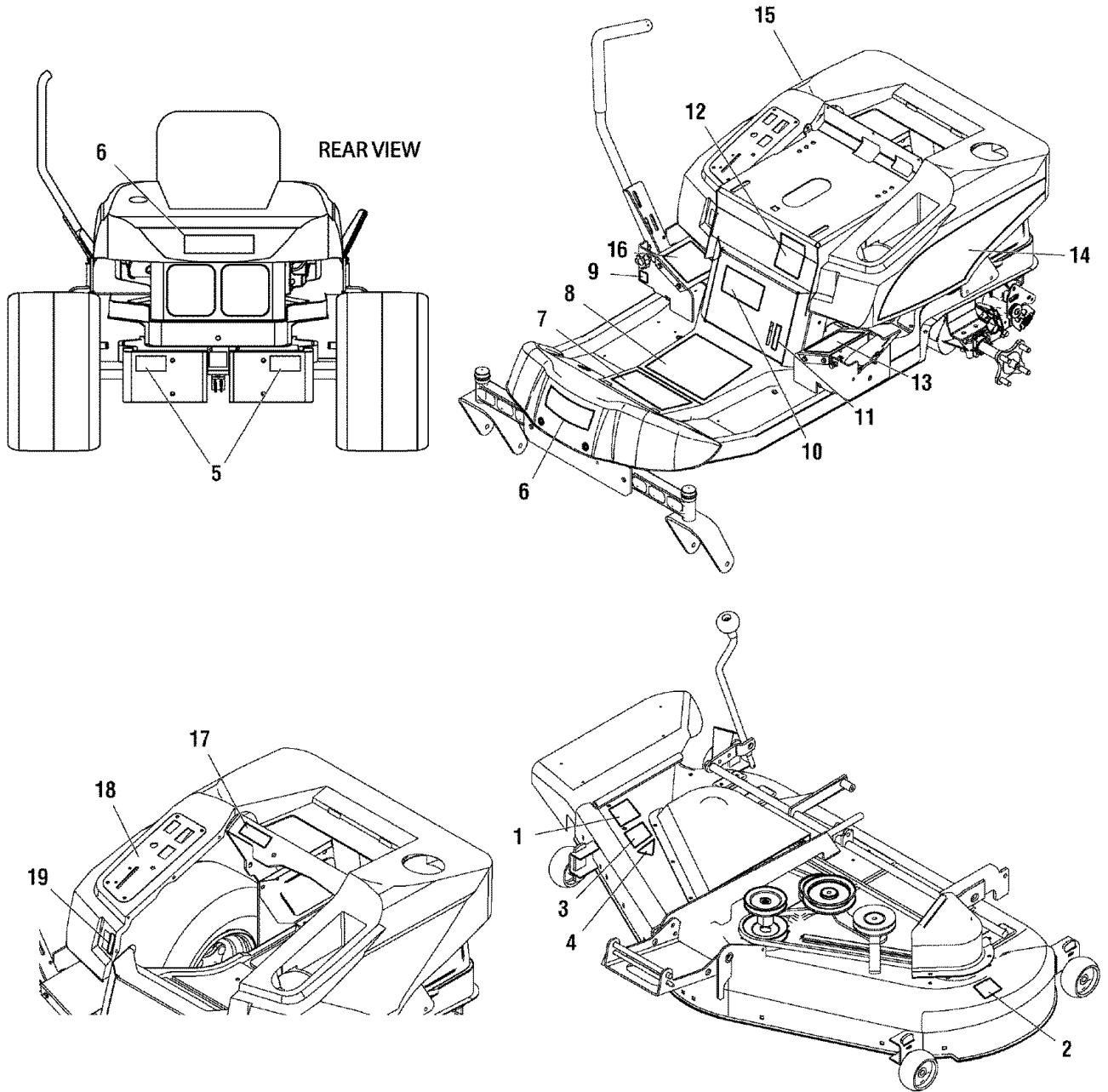
Wheel & Tire Group (W987612_987613_987614)

ZTS 7500 - 107.27788 & 107.27790

REF NO	PART NO.	QTY.	DESCRIPTION
1	1726383SM	2	WHEEL & TIRE ASSEMBLY, 18 x 8-1/2-8
2	7091772SM	2	CAPSCREW, Hex Head
3	7035359SM	2	TUBE, Caster Wheel Spacer
4	1734013SM	2	WHEEL & TIRE ASSEMBLY, 11 x 4-5
5	7090839SM	2	NUT, Hex Center Lock
6	2812808SM	2	FITTING, Lube
7	2172353SM	2	VALVE STEM & CAP
8	2177725SM	8	NUT, Hex Lug, 7/16-20

Footnotes

NOTE: Unless noted otherwise,
use the standard hardware torque
specification chart.



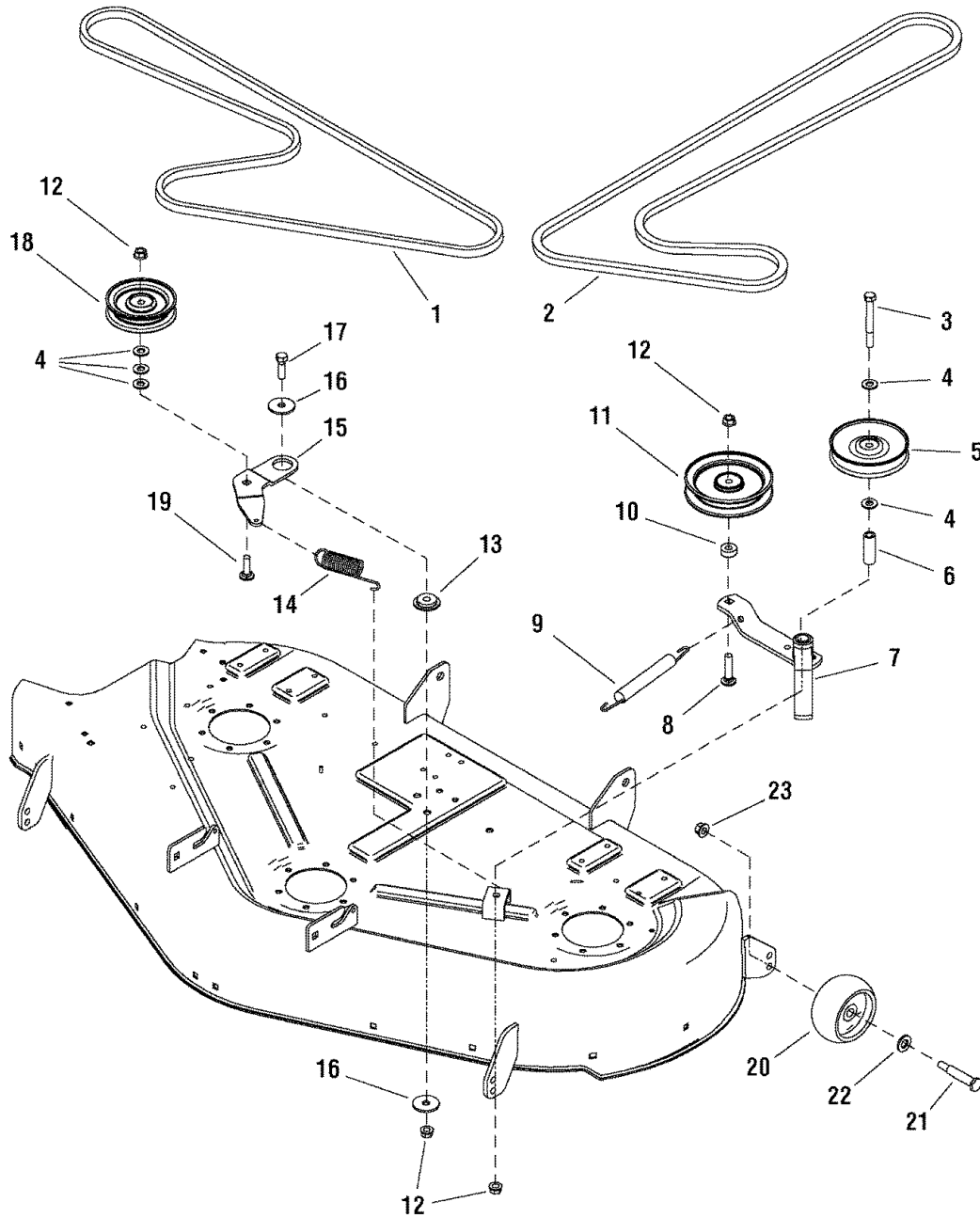
REF NO	PART NO.	QTY.	DESCRIPTION
1	1704277SM	1	DECAL, Danger Do Not Operate without Deflector
2	1704276SM	1	DECAL, Danger Do Not Put Hands/Feet in Mower
3	1722789SM	1	DECAL, 44" 2006 Silver/Black
4	*	1	DECAL, OPEI Certified ANSI B71.12003 Gold
5	1720543SM	2	DECAL, Transmission Release Instructions BM K56
6	1734147SM	2	DECAL, Craftsman ZTS
7	1734236SM	1	DECAL, Operator Instructions Front
8	1734207SM	1	DECAL, Operator Instructions Back
9	1726638SM	1	DECAL, Tracking Adjustment ZT 7000
10	1732474SM	1	DECAL, ZTS 7500 20/44
10	1734182SM	1	DECAL, ZTS 7500 24/50
11	1734335SM	1	DECAL, Height of Cut
12	1734139SM	1	DECAL, Service Parts Kohler, 20/44
12	1734140SM	1	DECAL, Service Parts B&S 24HP
13	1734270SM	1	DECAL, Handle Control, L.H. ZTS 7500
14	1734136SM	1	DECAL, Seat Deck L.H. Craftsman ZTS
15	1734137SM	1	DECAL, Seat Deck R.H. Craftsman ZTS
16	1734271SM	1	DECAL, Handle Control R.H. SEARS ZTS 7500
17	1726631SM	1	DECAL, Do Not Remove Foam Around Engine
18	1734272SM	1	DECAL, Instrument Panel SEARS ZTS 7500
19	1734276SM	1	DECAL, Height of Cut SEARS ZTS 7500
--	1734231	1	LITERATURE PACK, SEARS ZTS 7500 20/44 (Not Shown)
--	1734232	1	LITERATURE PACK, SEARS ZTS 7500 24/50 (Not Shown)

Footnotes

Note * Not a servicable part.

44" & 50" Mower Deck - Clutch & Support Group (987629_987630) 7500 - 107.27788 & 107.27790

NOTE: Unless noted otherwise,
use the standard hardware torque
specification chart.



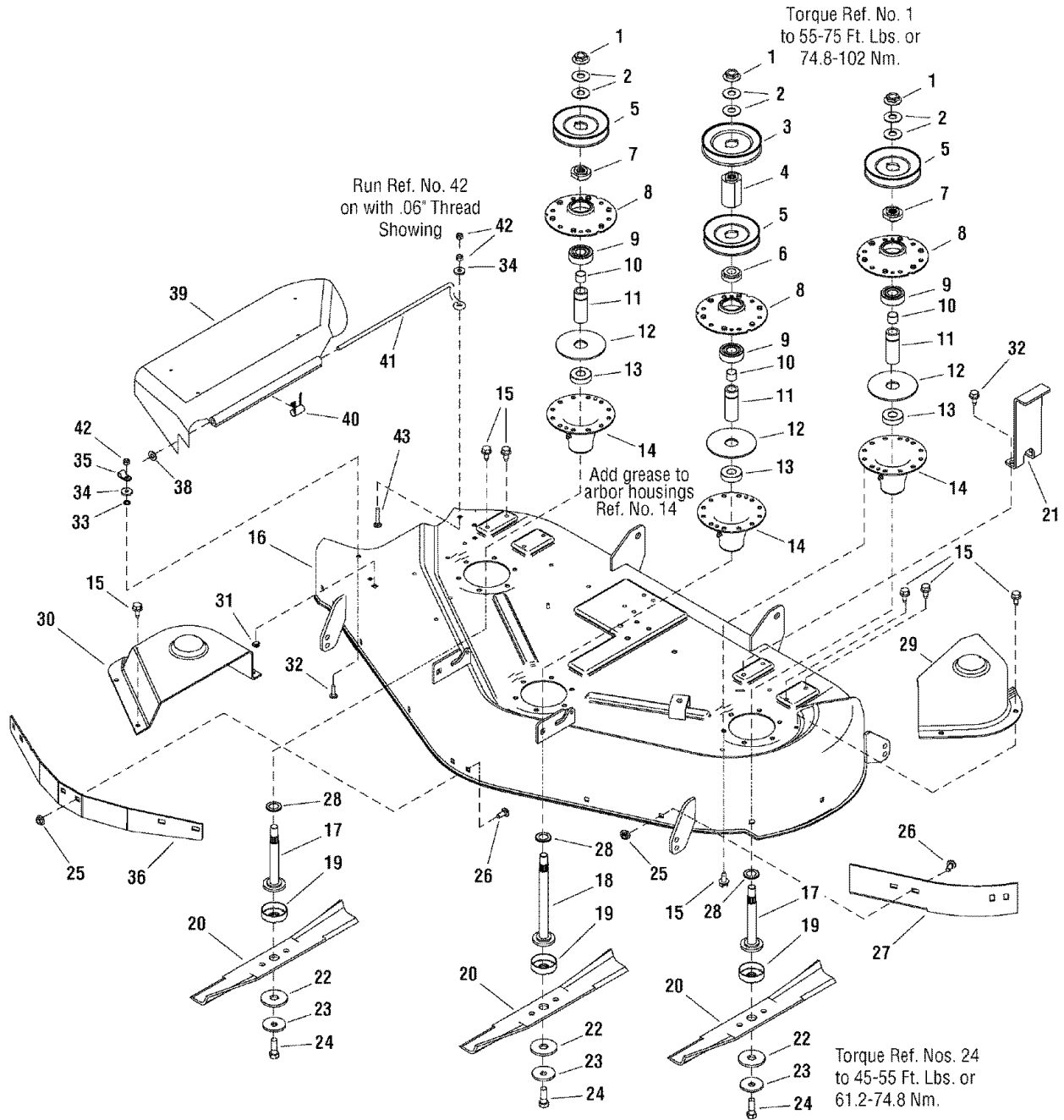
44" & 50" Mower Deck - Clutch & Support Group (987629_987630) 7500 - 107.27788 & 107.27790

REF NO	PART NO.	QTY.	DESCRIPTION
1	1727869SM	1	V-BELT, Arbor Drive, 83.1 Kevlar (Used on 44" Models)
1	1732204SM	1	V-BELT, Arbor Drive, 91.1 Kevlar (Used on 50" Models)
2	1734130SM	1	V-BELT, P.T.O. Drive, 70.1 A-Wedge (Used on 44" Models)
2	1734131SM	1	V-BELT, P.T.O. Drive, 73.24 A-Wedge (Used on 50" Models)
3	1922918SM	1	CAPSCREW, Hex Head, 3/8-16 x 3-1/4, G5
4	1924940SM	5	WASHER, Flat, 3/8
5	2101096SM	1	PULLEY, 4-1/2 OD 3/8 ID .63 Groove
6	1657242SM	1	SPACER
7	1726814SM	1	ARM ASSEMBLY, Idler with Bushings
8	1931353SM	1	CARRIAGE BOLT, 3/8-16 x 1-3/4, G5
9	1714062SM	1	SPRING, Extension
10	1667811SM	1	SPACER, Powdered Metal
11	2171247SM	1	PULLEY, Idler Flat
12	1960339SM	4	NUT, Hex Flange Lock, 3/8-16
13	1714255SM	1	SPACER, Idler Powdered Metal
14	1656936SM	1	SPRING, Extension
15	1733465ASM	1	ARM, Idler
16	1924356SM	2	WASHER, Flat, 3/8
17	1920415SM	1	CAPSCREW, Hex Head, 3/8-16 x 1-1/4, G5
18	1724387SM	1	PULLEY, Idler
19	1931337SM	1	CARRIAGE BOLT, 3/8-16 x 1-1/4, G5
20	1714760SM	4	WHEEL, 2" WIDE, 3.92 DIA
21	2108765SM	4	BOLT, Wheel, 3/8-16 x 2.781
22	1960170SM	4	WASHER, Flat, 1/2
23	1960687SM	4	NUT, Hex Flange, 3/8-16 ESNA

Footnotes

44" & 50" Mower Deck - Housing & Arbor Group (987623_987624) S 7500 - 107.27788 & 107.27790

NOTE: Unless noted otherwise, use the standard hardware torque specification chart.



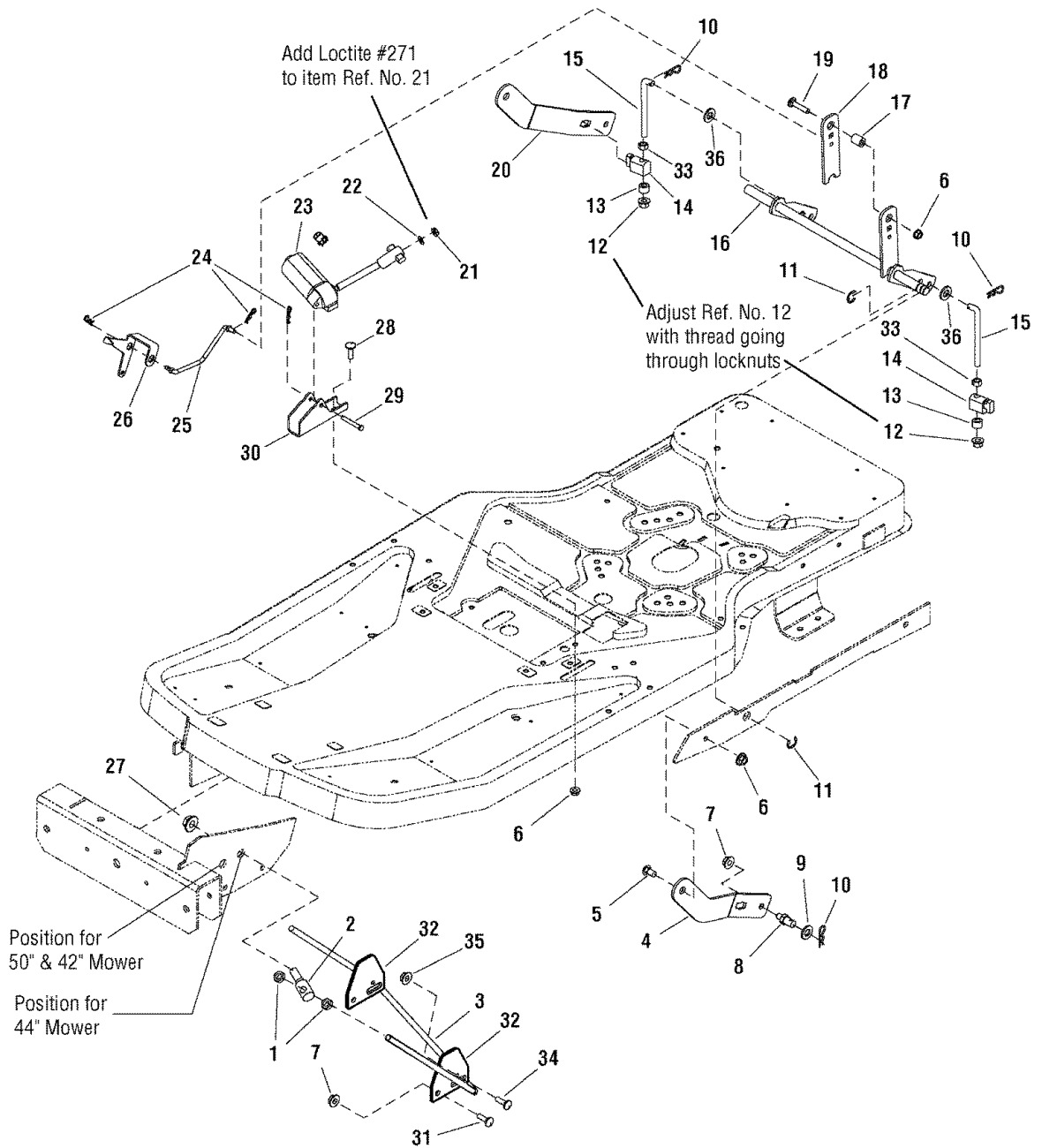
44" & 50" Mower Deck - Housing & Arbor Group (987623_987624) S 7500 - 107.27788 & 107.27790

REF NO	PART NO.	QTY.	DESCRIPTION
1	1714419SM	3	NUT, Hex Flange, 9/16-18
2	1713675SM	6	WASHER, Belleville
3	1732950SM	1	PULLEY, Deep Groove, 4.5
4	1713158SM	1	HUB, Spacer
5	1713098SM	3	PULLEY
6	1713533SM	1	HUB
7	1713197SM	2	HUB
8	1655729ASM	3	HOUSING, Arbor Top
9	7013313SM	3	BEARING
10	1715724SM	3	SPACER, Bearing Sleeve
11	1732544SM	3	SPACER, Powdered Metal
12	1707335SM	3	GASKET, Foam
13	1705897SM	3	BEARING, Ball
14	1713338ASM	3	HOUSING, Arbor Bottom with Lube Fitting
15	1664847SM	31	SCREW, Hex Washer Head Taptite, 5/16-18 x 3/4
16	1733346ZSM	1	HOUSING ASSEMBLY, 44" Deck
16	1733347ZSM	1	HOUSING ASSEMBLY, 50" Deck
17	1713195SM	2	SHAFT, Arbor Short
18	1713612SM	1	SHAFT, Arbor Long
19	1713196SM	3	SHIELD, Grass
20	1727774SM	3	BLADE, Mower, 44" Deck
20	1726453SM	1	BLADE, Mower, 50" Deck
21	1733308ASM	1	UPSTOP
22	1713089SM	3	WASHER, Hex, 11/16 x 2
23	1656916SM	3	WASHER, Spring
24	2823471SM	3	CAPSCREW, Hex Head, 7/16-14 x 1-1/4, G8
25	1927557SM	6	NUT, Hex Whiz Lock Flange, 5/16-18
26	1931333SM	6	CARRIAGE BOLT, 5/16-18 x 3/4, G5
27	1724538ASM	1	BAFFLE, Blowout
28	1713619SM	3	WASHER, Cup
29	1729666SM	1	COVER, Arbor
30	1715673SM	1	COVER, Arbor
31	1705115SM	1	PLUG, Hole
32	1931318SM	1	CARRIAGE BOLT, 1/4-20 x 7/8, G5
33	1960518SM	2	NUT, Push On
34	1960353SM	4	WASHER, 1/4
35	1704873SM	1	CLAMP
36	1734181ASM	1	BAFFLE, Front 44" & 50" Decks
38	1919326SM	1	WASHER, 5/16
39	1705449SM	1	DEFLECTOR, Discharge
40	7101082SM	1	SPRING, Torsion Chute, 44" & 50" Decks
41	1706709SM	1	ROD, Deflector
42	1920397SM	3	NUT, Hex Lock ESNA, 1/4-20
43	1960633SM	1	CARRIAGE BOLT, 1/4-20 x 1-1/2, G5

Footnotes

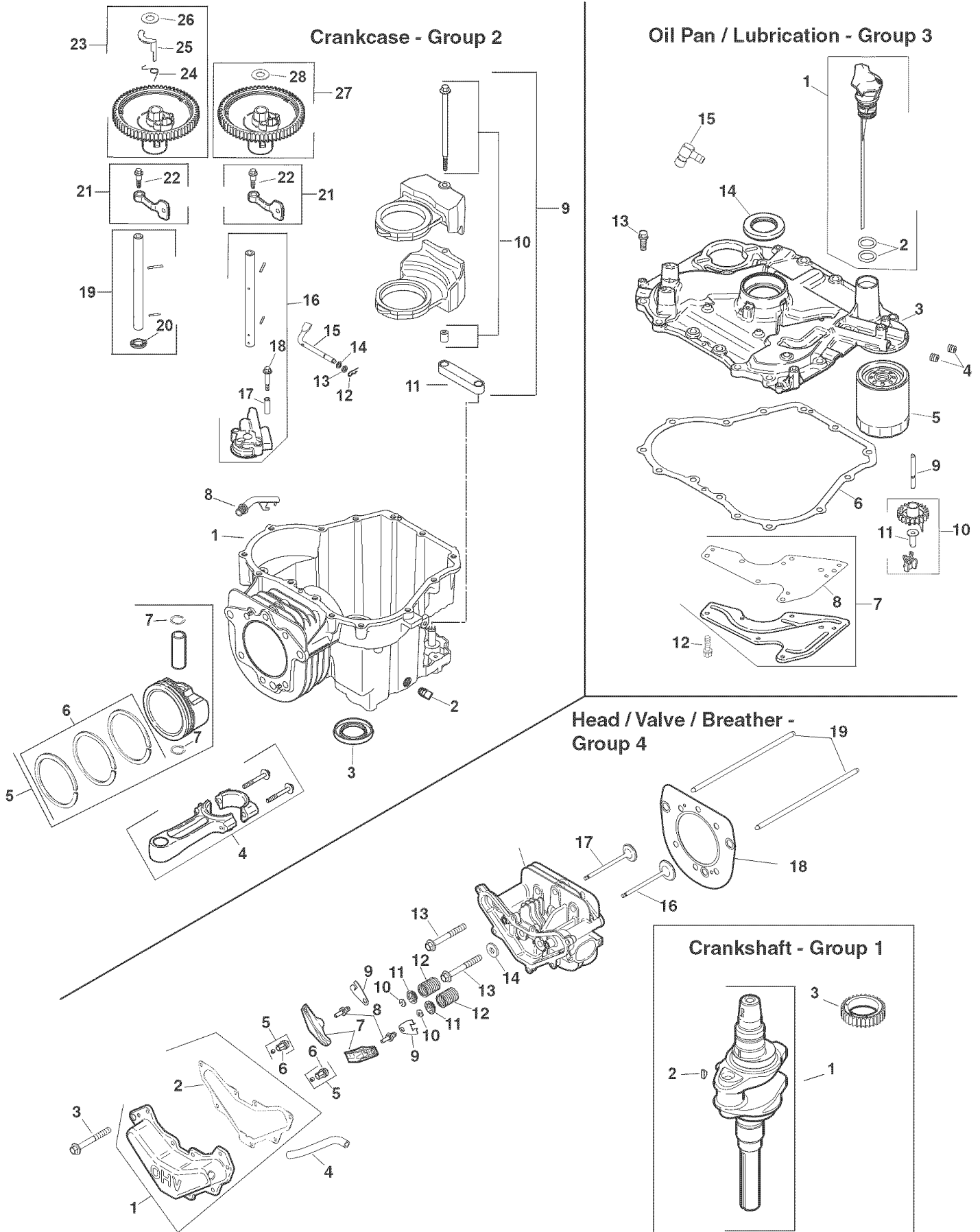


NOTE: Unless noted otherwise,
use the standard hardware torque
specification chart.



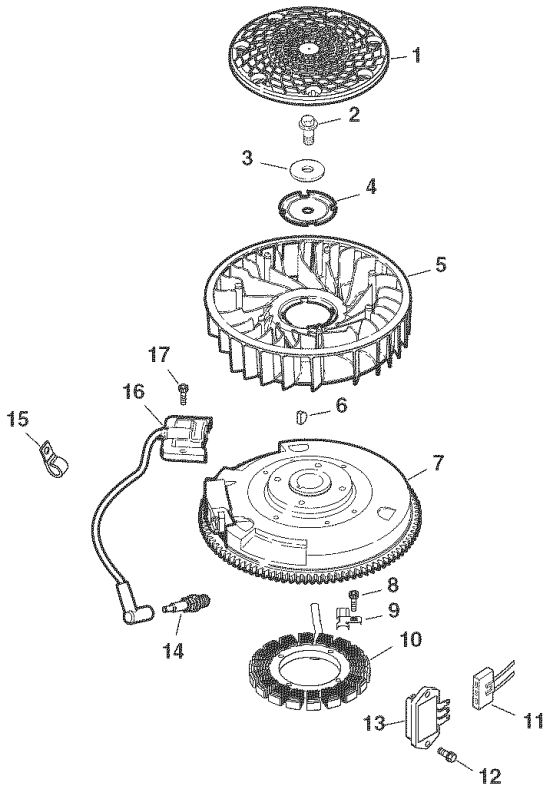
REF NO	PART NO.	QTY.	DESCRIPTION
1	1922007SM	4	NUT, Hex Jam, 7/16-14, NC-2B
2	1734042SM	2	TRUNNION
3	1733381SM	1	ROD, Bail
4	1733535ASM	1	ARM, Mower Lift L.H.
5	009X67MA	2	BOLT, Shoulder
6	1931277SM	5	NUT, Hex Whiz Lock Flange, 5/16-18
7	1931211SM	4	NUT, Hex Whiz Lock Flange, 3/8-16
8	094067MA	2	PIN, Threaded Shoulder
9	1960170SM	2	WASHER, 1/2"
10	1960074SM	4	CLIP, Hair Pin
11	1704420SM	2	RING, Klipring, 5/8"
12	1960687SM	2	NUT, Hex Flange, 3/8-16 ESNA
13	1666294SM	2	SPACER
14	1731894SM	2	TRUNNION
15	1734217SM	2	ROD, Mower Lift 3/8-16 x 1 LG Thread
16	1733356ASM	1	LIFT SHAFT ASSEMBLY
17	1673796SM	1	SPACER, Powdered Metal
18	1734336ASM	1	ARM, Lift Trunnion
19	1931337SM	1	CARRIAGE BOLT, 5/16-18 x 1-1/2, G5
20	1733536ASM	1	ARM, Mower Lift R.H.
21	1960757SM	1	NUT, Hex, 1/4-20 L.H. Thread
22	1921319SM	1	WASHER, 1/4"
23	1733513SM	1	MOTOR, Mini Actuator
24	1722460SM	3	PIN, Quick
25	1733572SM	1	ROD, Height of Cut Indicator
26	1733454SM	1	INDICATOR, Height of Cut
27	1930644SM	2	NUT, Hex Two-Way Lock, 1/2-13
28	1931335SM	1	CARRIAGE BOLT, 5/16-18 x 1, G5
29	1668344SM	1	PIN, Shear
30	1733533ASM	1	BRACKET, Electric Motor Mount
31	1960711SM	2	CARRIAGE BOLT, 3/8-16 x 3/4, G5
32	1734379ASM	2	PLATE, Pivot Lock
33	1916950SM	2	NUT, Hex 3/8 - 16
34	1931317SM	2	CARRIAGE BOLT, 1/4 - 20 x 3/4
35	1960294SM	2	NUT, Hex Flange Whiz Lock, 1/4 - 20
36	1924940SM	2	WASHER, 3/8

Footnotes

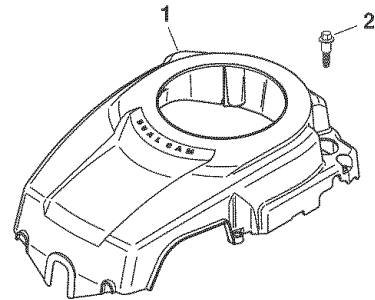


REF.	PART	DESCRIPTION	REF.	PART	DESCRIPTION
SPECIAL PARTS			HEAD/VALVE/BREATHER - Group 4		
	20 522 01	Short Block	1	20 096 07-S	Kit, valve cover (Includes 2)
	20 755 05-S	Gasket Set	2	20 041 13-S	Gasket, valve cover
CRANKSHAFT - Group 1			3	M-645020-S	Screw, hex. flange M6x1.0x20 (7)
1	20 014 20-S	Crankshaft (Includes 2)	4	20 326 01-S	Hose, breather
2	X-42-15-S	Key 3/16"	5	20 599 02-S	Pivot, rocker arm (2) (Includes 6)
3	20 043 12-S	Gear, crankshaft	6	20 086 04-S	Screw, set (2)
CRANKCASE - Group 2			7	20 186 01-S	Arm, rocker (2)
1	Crankcase (USE: Short Block 20 522 01)		8	20 086 03-S	Stud, rocker (2)
2	25 139 57-S	Plug, sq. hd. pipe 3/8"	9	20 146 03-S	Plate, push rod guide (2)
3	20 032 01-S	Seal, oil	10	20 062 01-S	Lock, retainer (2)
4	20 067 04-S	Rod, connecting	11	20 173 01-S	Cap, valve spring (2)
5	20 874 01-S	Piston w/Ring Set (Includes 7,8)	12	20 089 03-S	Spring, valve (2)
6	20 108 01-S	Ring Set (94 mm)	13	20 086 02-S	Screw, hex. flange M10x1.5x37 (6)
7	20 018 04-S	Retainer, piston pin (2)	14	12 468 05-S	Washer, flat 1/2"
8	20 123 02-S	Tube, drainback	15	20 318 05-S	Head, cylinder
9	20 755 04-S	Kit, balance weight (Includes 10,11)	16	20 016 01-S	Valve, exhaust
10	20 380 16-S	Kit, screw/guide pin	17	20 017 01-S	Valve, intake
11	20 168 02-S	Linkage, Balance Weight	18	20 841 01-S	Kit, cylinder head gasket (94 mm)
12	12 154 05-S	Clip, hitch pin	19	20 411 04-S	Rod, push (2)
13	M-631015-S	Washer, plain			
14	X-25-102-S	Washer, plain			
15	20 144 02-S	Shaft, governor cross			
16	20 393 02-S	Pump assembly, oil (Includes 16-19)			
17	20 112 02-S	Spacer, oil pump screw (2)			
18	20 086 13-S	Screw, oil pump (2)			
19	20 144 11-S	Shaft center, cam Exhaust (Includes 20)			
20	20 468 08-S	Washer, thrust			
21	20 090 01-S	Lever assembly, cam (2) (Includes 22)			
22	20 086 06-S	Screw, shoulder			
23	20 010 04-S	Gear assembly, cam (Includes 24-26)			
24	20 089 06-S	Spring, ACR			
25	20 044 16-S	Weight, ACR			
26	20 468 03-S	Washer, thrust - ACR			
27	20 044 16-S	Weight, ACR (Includes 28)			
28	20 268 03-S	Washer, Thrust - ACR			
OIL PAN/LUBRICATION - Group 3					
1	20 040 02-S	Kit, dipstick assembly (Includes 2)			
2	20 153 01-S	O-Ring, dipstick (2)			
3	20 009 10-S	Plate assembly, closure (Includes 4,7-12,14)			
4	25 139 60-S	Plug, pipe (2)			
5	52 050 02-S	Filter, oil			
6	20 041 01-S	Gasket, closure plate			
7	20 096 02-S	Kit, oil passage cover (Includes 8)			
8	20 041 02-S	Gasket, oil passage			
9	20 144 03-S	Shaft, governor gear			
10	20 310 03-S	Kit, gear & weight assembly (Includes 11)			
11	12 380 01-S	Pin, governor regulating			
12	M-545013-S	Screw, hex. flange M5x0.8x13 (6)			
13	M-851030-S	Screw, hex. flange M8x1.25x30 (14)			
14	20 032 01-S	Seal, oil			
15	25 155 02-S	Connector, 90° Hose			

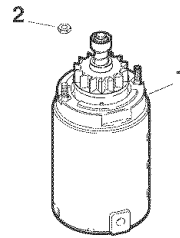
Ignition / Electrical - Group 5



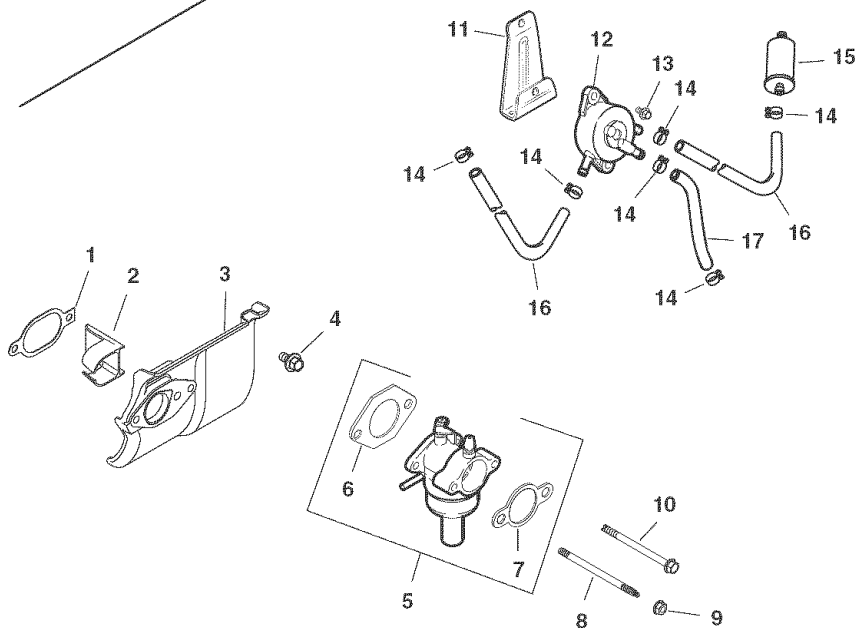
Blower Housing & Baffles - Group 6



Starting System - Group 7



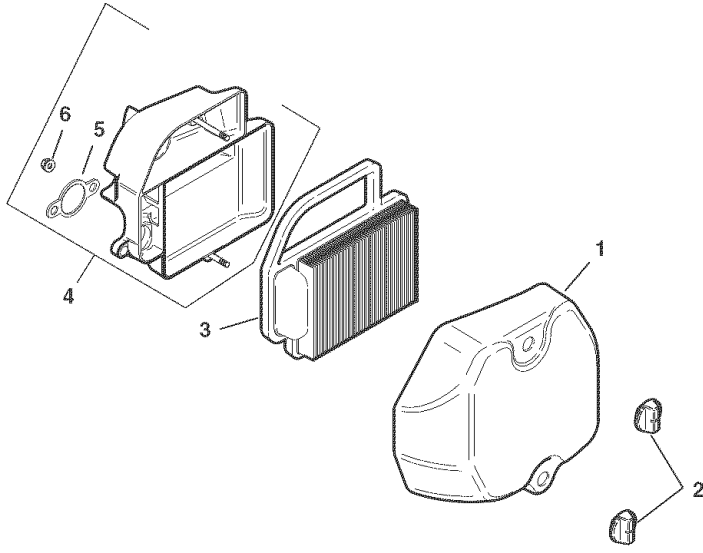
Fuel System - Group 8



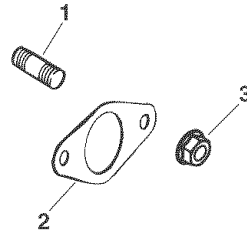
REF.	PART	DESCRIPTION	REF.	PART	DESCRIPTION
IGNITION/ELECTRICAL - Group 5					
1	20 162 02-S	Screen, grass			
2	12 086 14-S	Screw, hex. flange M10x1.5x46			
3	12 468 03-S	Washer, spring 3/16"			
4	20 146 04-S	Plate, fan mounting			
5	20 157 01-S	Fan			
6	X-42-15-S	Key, woodruff			
7	20 025 05-S	Flywheel			
8	20 086 17-S	Screw, hex. hd. M5x0.8x25 (2)			
9	20 154 03-S	Clip, stator wire			
10	237878-S	Kit, stator			
11	236602-S	Connector, body			
12	M-545020-S	Screw, hex. flange M5x0.8x20 (2)			
13	41 403 09-S	Rectifier-regulator			
14	12 132 02-S	Plug, spark			
15	231285-S	Clip, cable (2)			
16	20 584 01-S	Module, ignition			
17	M-561025-S	Screw, hex. flange M5x0.8x25 (2)			
NOT ILLUSTRATED					
	20 176 01-S	Harness, wiring			
BLOWER HOUSING & BAFFLES - Group 6					
1	20 027 06-S	Housing, blower			
2	20 086 06-S	Screw, shoulder M6x1x26 (4)			
NOT ILLUSTRATED					
	20 113 24-S	Decal, 20 HP (SV600)			
	25 113 39-S	Decal, clear lamination			
STARTING SYSTEM - Group 7					
1	20 098 05-S	Starter assembly, inertia drive			
2	25 100 31-S	Nut, hex. serrated flange (2)			
FUEL SYSTEM - Group 8					
1	20 041 07-S	Gasket, heat deflector			
2	20 332 01-S	Insert, intake port			
3	20 265 03-S	Deflector, heat			
4	M-651020-S	Screw, hex. flange M6x1.0x20			
5	20 853 14-S	Carburetor w/gaskets (Includes 6,7)			
6	12 041 01-S	Gasket, carburetor			
7	12 041 02-S	Gasket, air cleaner			
8	20 072 05-S	Stud, carburetor mounting			
9	M-641060-S	Nut, hex. flange M6x1.0 (2)			
10	M-545010-S	Screw, hex. flange M5x0.8x10 (2)			
11	20 126 02-S	Bracket, fuel pump mounting			
12	24 393 16-S	Pump, fuel			
13	20 086 11-S	Screw, flange thread form M6x1.0x16			
14	25 237 14-S	Clamp, hose (6)			
15	25 050 22-S	Filter, fuel			
16	24 111 34-S	Line, fuel (24"-Cut to length) (2)			
17	52 353 20-S	Line, fuel 10"			
NOT ILLUSTRATED					
	X-22-11-S	Washer, lock 1/4" (ground)			
	20 431 12-S	Sleeve, fuel line			
	25 454 05-S	Tie			
12	757 110-S	Kit, choke shaft			
	12 757 02-S	Kit, repair float			
	12 757 03-S	Kit, repair carburetor			
	12 757 33-S	Kit, repair solenoid			
	12 757 37-S	Kit, repair bowl replacement			
	12 757 06-S	Kit, high altitude (5000 FT)			
	12 757 07-S	Kit, high altitude (10,000 FT)			



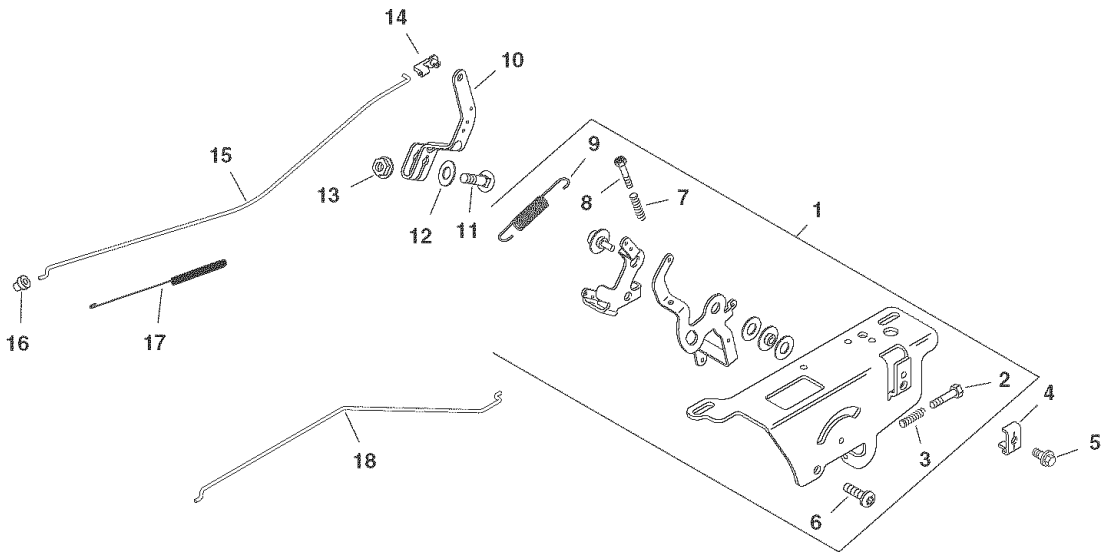
Air Intake / Filtration - Group 10



Exhaust - Group 11

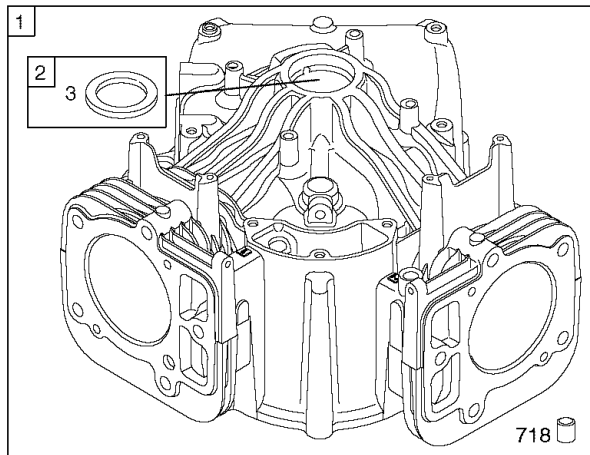


Engine Controls - Group 9

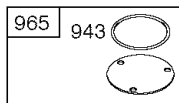
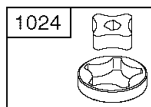
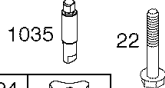
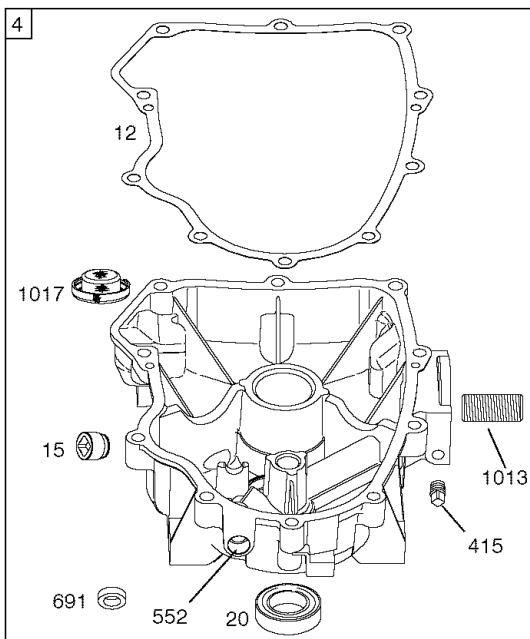
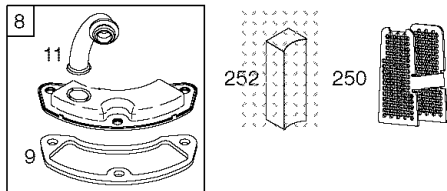


REF.	PART	DESCRIPTION	REF.	PART	DESCRIPTION
ENGINE CONTROLS - Group 9					
1	20 536 05-S	Control assembly, speed			
2	12 237 01-S	Clamp			
3	24 086 43-S	Screw			
4	12 237 01-S	Clamp, cable			
5	M-545016-S	Screw, flange thread form M5x0.8x16			
6	M-664020-S	Screw, lobed sckt. M6x1.0x20 (2)			
7	12 089 11-S	Spring, speed control (2)			
8	20 086 10-S	Screw, thread forming M4x0.7x25			
9	20 089 07-S	Spring, governor			
10	20 090 02-S	Lever, governor			
11	52 211 04-S	Bolt, round head 1/4-20x1"			
12	X-22-11-S	Washer, lock 1/4"			
13	12 100 07-S	Nut, hex. flange 1/4-20"			
14	25 158 11-S	Bushing, throttle linkage			
15	20 079 04-S	Linkage, throttle			
16	25 158 08-S	Bushing, linkage retaining			
17	20 089 10-S	Spring, linkage			
18	20 079 05-S	Linkage, choke – single wire			
AIR INTAKE/FILTRATION - Group 10					
1	20 096 04-S	Cover, air cleaner			
2	25 341 04-S	Knob, cover (2)			
3	20 083 02-S	Element, air cleaner			
4	20 094 01-S	Kit, air cleaner base (Includes 6)			
5	12 041 02-S	Gasket, air cleaner base			
6	M-641060-S	Nut, flange M6x1.0			
EXHAUST - Group 11					
1	25 072 04-S	Stud, exhaust (2)			
2	20 041 12-S	Gasket, exhaust			
3	M-841080-S	Nut, hex. flange (2)			





10

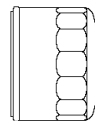
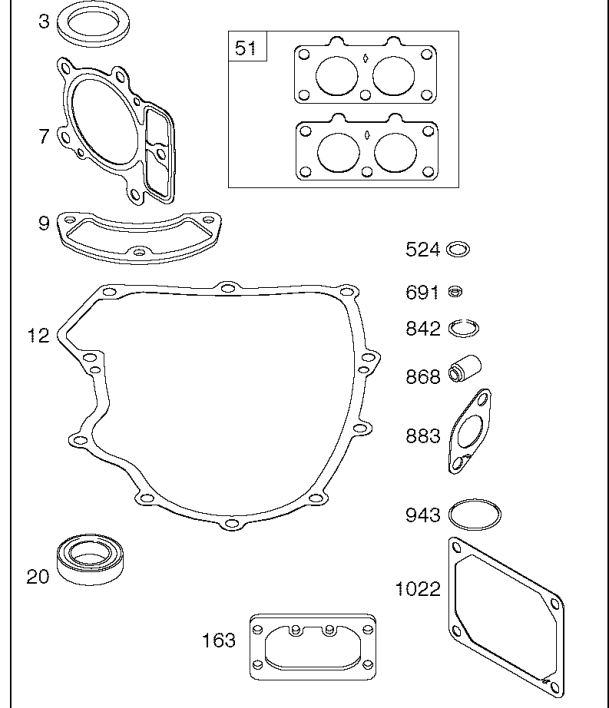


750

1058 OPERATOR'S MANUAL

1330 REPAIR MANUAL

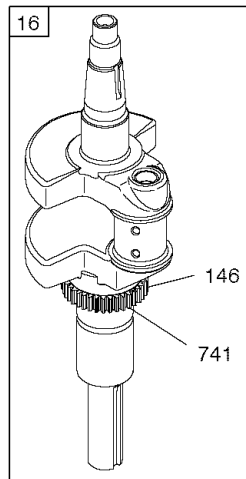
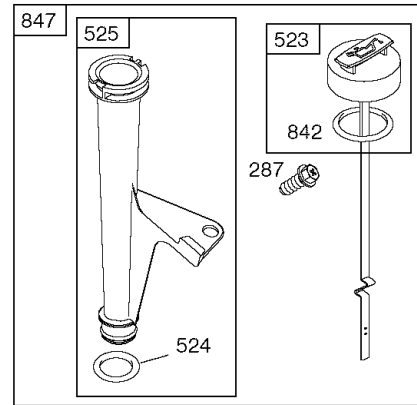
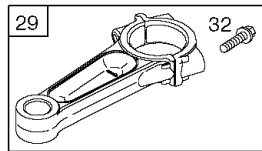
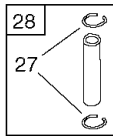
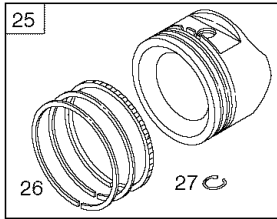
358 ENGINE GASKET SET



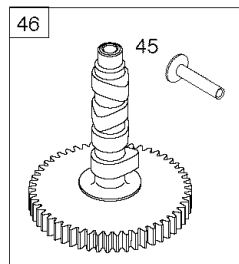
1027

Illustrations cover a range of engines. Parts shown without corresponding text may not be used on your specific engine. Assemblies include all parts shown in frames.



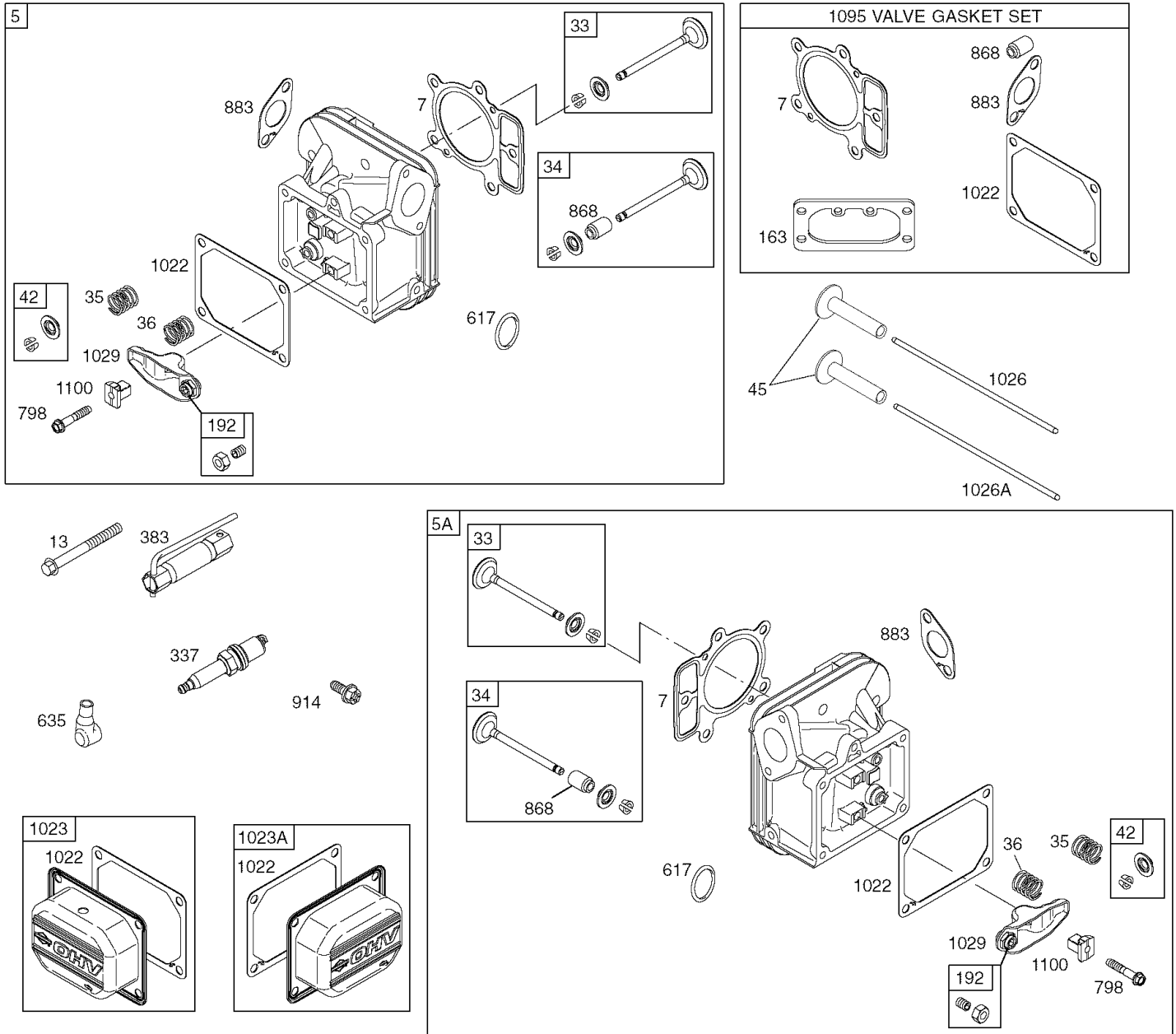


24



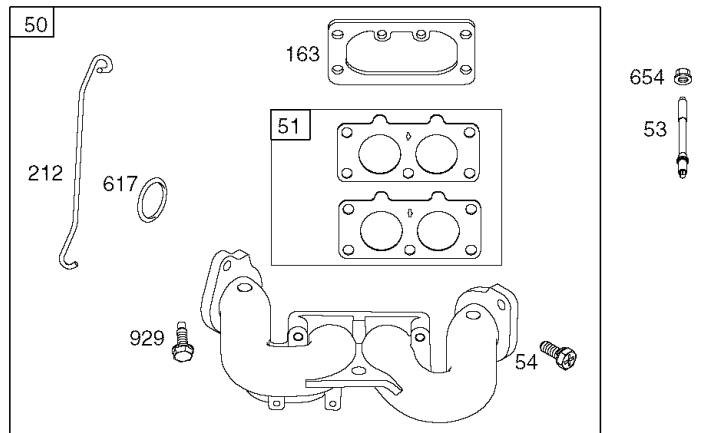
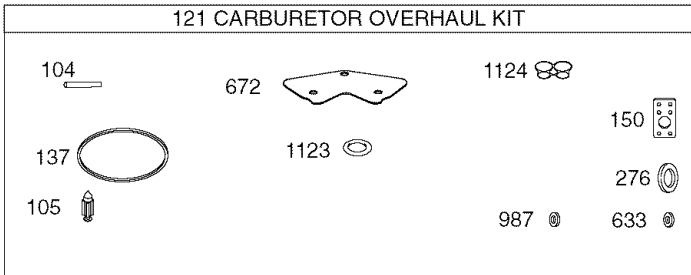
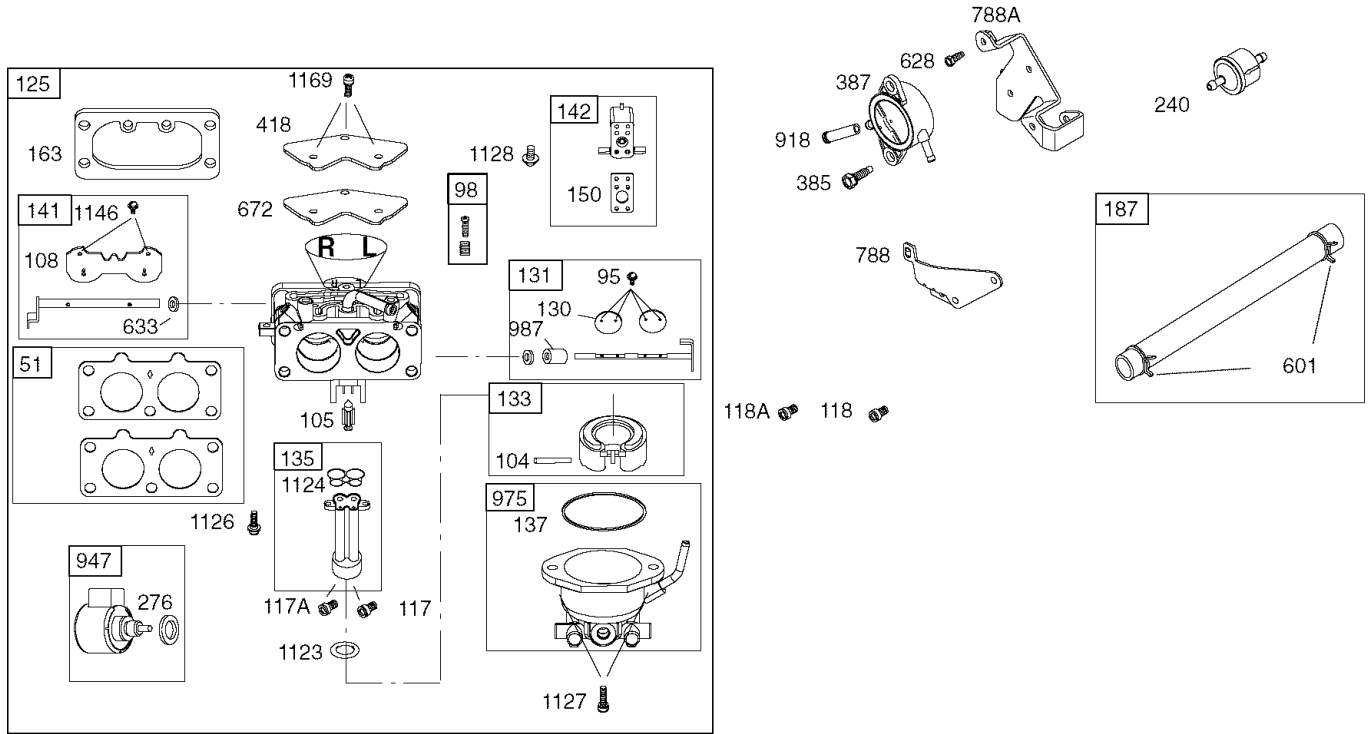
Illustrations cover a range of engines. Parts shown without corresponding text may not be used on your specific engine. Assemblies include all parts shown in frames.





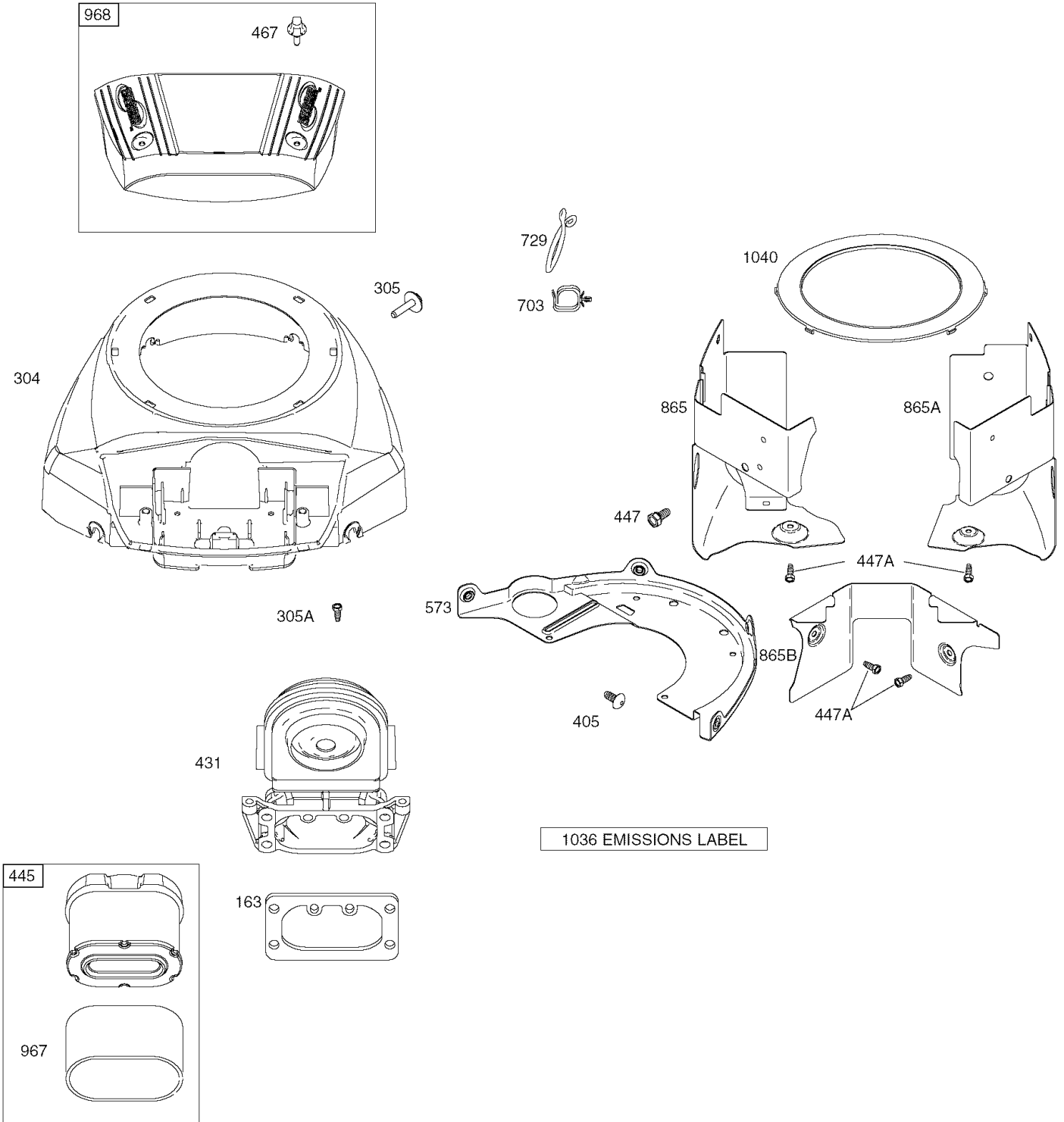
Illustrations cover a range of engines. Parts shown without corresponding text may not be used on your specific engine. Assemblies include all parts shown in frames.





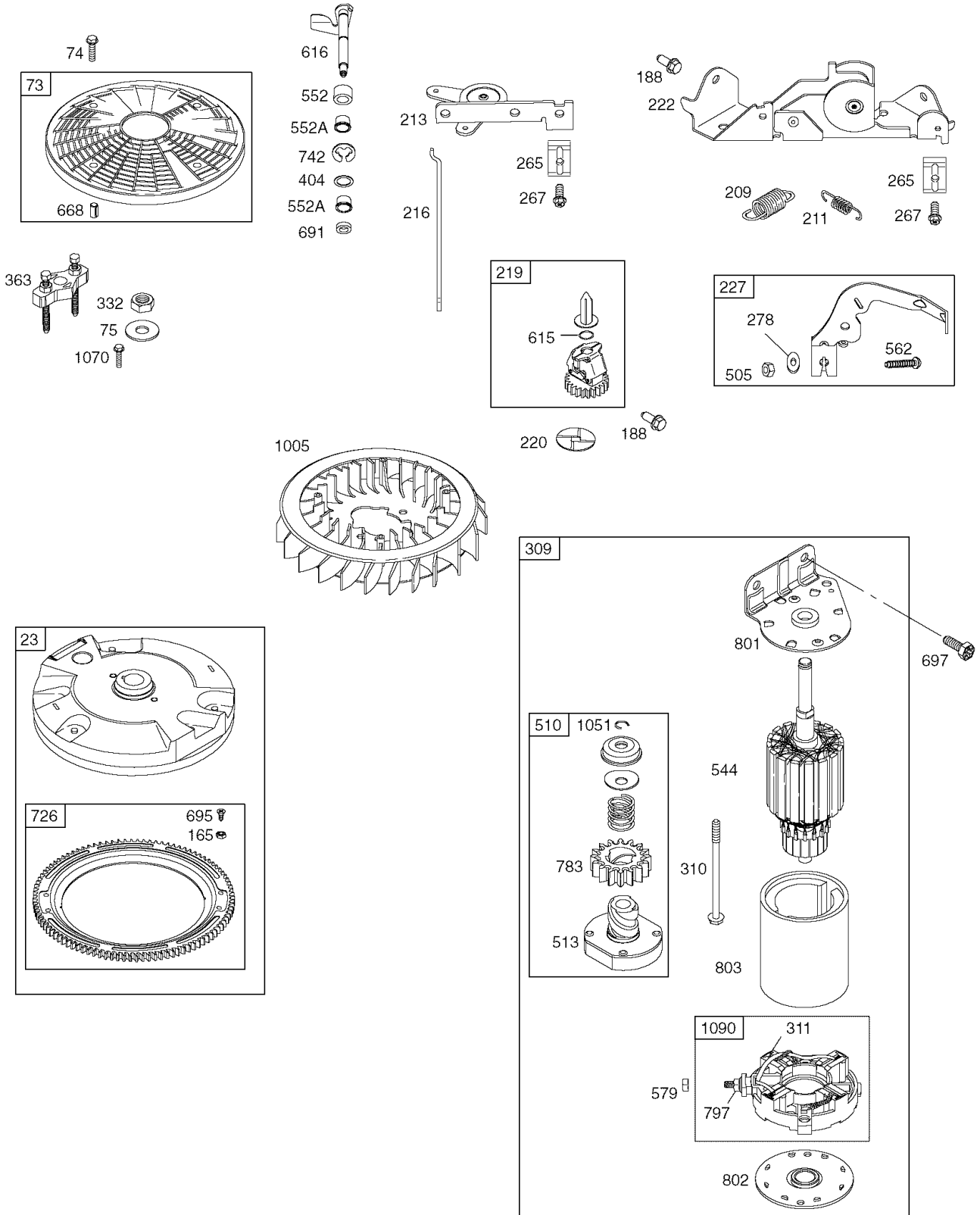
Illustrations cover a range of engines. Parts shown without corresponding text may not be used on your specific engine. Assemblies include all parts shown in frames.





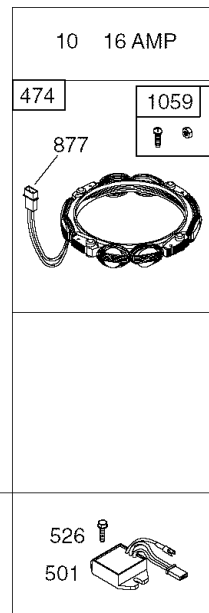
Illustrations cover a range of engines. Parts shown without corresponding text may not be used on your specific engine. Assemblies include all parts shown in frames.





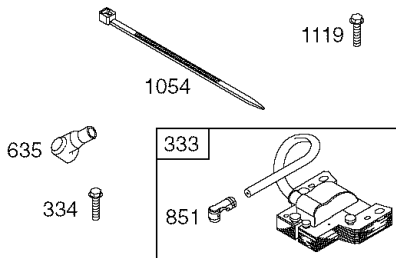
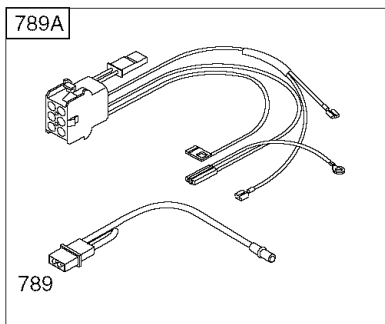
Illustrations cover a range of engines. Parts shown without corresponding text may not be used on your specific engine. Assemblies include all parts shown in frames.





NOTE: All stators use a No. 1119 mounting screw.

NOTE: The proper flywheel part number and/or the alternator magnet size will determine the alternator type or output. See repair instruction manual for additional information.



Illustrations cover a range of engines. Parts shown without corresponding text may not be used on your specific engine. Assemblies include all parts shown in frames.



REF. NO.	PART NO.	DESCRIPTION	REF. NO.	PART NO.	DESCRIPTION	REF. NO.	PART NO.	DESCRIPTION
1	699753	Cylinder Assembly	27	690975	Lock-Piston Pin	125	792295	Carburetor
2	499585	Kit-Bushing/Seal (Magneto Side)	28	690229	Pin-Piston (Standard)	130	690993	Valve-Throttle
3	★391086s	Seal-Oil (Magneto Side)	29	699699	Rod-Connecting (Standard)	131	499805	Kit-Throttle Shaft
4	699747	Sump-Engine	32	690976	Screw (Connecting Rod)	133	●699724	Float-Carburetor
5	792299	Head-Cylinder (Cylinder 1)	33	697576	Valve-Exhaust	135	●699729	Tube-Fuel Transfer
5A	792300	Head-Cylinder (Cylinder 2)	34	792200	Valve-Intake	137	●690994	Gasket-Float Bowl
7	★Δ693997	Gasket-Cylinder Head	35	694865	Spring-Valve (Intake)	141	699722	Kit-Choke Shaft
8	792185	Breather Assembly	36	694865	Spring-Valve (Exhaust)	142	●699726	Nozzle-Carburetor
9	★690937	Gasket-Breather	42	499586	Keeper-Valve	146	690979	Key-Timing
10	691108	Screw (Breather Assembly)	45	690977	Tappet-Valve	150	●690995	Gasket-Nozzle
11	792184	Tube-Breather	46	792555	Camshaft	163	★Δ691001	Gasket-Air Cleaner
12	★697227	Gasket-Crankcase	50	695241	Manifold-Intake	165	693148	Nut (Ring Gear)
13	791130	Screw (Cylinder Head)	51	★Δ791677	Gasket-Intake	187	791766	Line-Fuel (Length 15")(Cut to Required Length)
15	690946	Plug-Oil Drain	53	690951	Stud (Carburetor)	188	691108	Screw (Control Bracket)
16	699700	Crankshaft	54	699816	Screw (Intake Manifold)	192	690083	Adjuster-Rocker Arm
20	★791892	Seal-Oil (PTO Side)	73	494439	Screen-Rotating	209	793340	Spring-Governor
22	694966	Screw (Crankcase Cover/Sump)	74	698425	Screw (Rotating Screen)	211	691019	Spring-Governed Idle
23	691053	Flywheel	75	691056	Washer (Flywheel)	212	695238	Link-Throttle
24	222698s	Key-Flywheel	95	690718	Screw (Throttle Valve)	213	691021	Bracket-Choke Control
25	792117	Piston Assembly (Standard)	98	699721	Kit-Idle Speed	216	691022	Link-Choke
		----- Note -----	104	●694918	Pin-Float Hinge	219	793338	Gear-Governor
		792144 Piston Assembly (.020" Oversize)	105	●698537	Valve-Float Needle	220	690412	Washer (Governor Gear)
			108	699723	Valve-Choke	222	698761	Bracket-Control
26	792026	Ring Set (Standard)	117	792296	Jet-Main (Standard) (Left)(Nikki)	227	792492	Lever-Governor Control
		----- Note -----	117A	842627	Jet-Main (Standard) (Right)(Nikki)	240	695666	Filter-Fuel
		792073 Ring Set (.020" Oversize)	118	699457	Jet-Main (High Altitude) (Left)(Nikki)	250	690957	Retainer-Breather
			118A	699733	Jet-Main (High Altitude) (Right)(Nikki)	252	690956	Collector-Oil
			121	792455	Kit-Carburetor Overhaul	265	691024	Clamp-Casing
						267	691044	Screw (Casing Clamp)
						276	★●695410	Washer-Sealing
						278	792651	Washer (Governor Control Lever)
						287	691108	Screw (Dipstick Tube)
						304	792301	Housing-Blower
						305	691005	Screw (Blower Housing) (21/32" Long)
						305	790690	Screw (Blower Housing to Intake Elbow) (11/16" Long)
						309	499521	Motor-Starter
						310	691263	Screw (Starter Motor)

★ Included in Engine Gasket Set-Ref. No.358.

Δ Included in Valve Gasket Set-Ref. No 1095.

● Included in Carburetor Overhaul Kit-Ref. No. 121.

Illustrations cover a range of engines. Parts shown without corresponding text may not be used on your specific engine.

Assemblies include all parts shown in frames.



REF. NO.	PART NO.	DESCRIPTION	REF. NO.	PART NO.	DESCRIPTION	REF. NO.	PART NO.	DESCRIPTION
311	497608	Brush Set	385	691108	Screw (Fuel Pump)	562	690311	Bolt (Governor Control Lever)
332	691059	Nut (Flywheel)	387	808656	Pump-Fuel	573	790444	Plate-Back
333	691060	Armature-Magneto	404	690442	Washer (Governor Crank)	579	691029	Nut (Starter Cable)
334	691061	Screw (Magneto Armature)	405	697820	Screw (Back Plate)	601	691038	Clamp-Hose
337	793541	Plug-Spark	415	690283	Plug (Engine Sump)	615	698290	Retainer-Governor Shaft
358	694012	Gasket Set-Engine	418	690999	Plate-Carburetor	616	691045	Crank-Governor
363	19203	Puller-Flywheel	431	792297	Elbow-Intake	617	697891	Seal-O Ring (Intake Manifold)
383	19374s	Wrench-Spark Plug	445	792105	Filter-Air Cleaner Cartridge	628	691108	Screw (Fuel Pump Bracket)
			447	691003	Screw (Air Guide Cover)	633	●690998	Seal-Choke/Throttle Shaft
			447A	691108	Screw (Air Guide Cover)	635	66538s	Boot-Spark Plug
			467	790697	Knob-Air Cleaner (1" Long)	654	690958	Nut (Carburetor)
			474	696458	Alternator (10-16 Amp Circuit)	668	691500	Spacer
			501	691185	Regulator	672	●690234	Gasket-Carburetor Plate
			505	691029	Nut (Governor Control Lever)	691	★790574	Seal-Governor Shaft
			510	696541	Drive-Starter	695	693149	Screw (Ring Gear)
			513	692024	Clutch-Drive	697	690372	Screw (Drive Cap)
			523	691036	Dipstick	703	691010	Clip
			524	★691032	Seal-Dipstick Tube	718	690959	Pin-Locating
			525	691037	Tube-Dipstick	726	499612	Gear-Ring
			526	691108	Screw (Regulator)	741	690980	Gear-Timing
			544		Armature-Starter (Serviced By 499521 Starter Only)	742	690328	Retainer-E Ring
			552	690552	Bushing-Governor Crank	750	696999	Screw (Oil Pump Cover)
			552A	690553	Bushing-Governor Crank	783	695708	Gear-Pinion
						788	793145	Bracket-Fuel Pump
						789	790544	Harness-Wiring
						789A	698330	Harness-Wiring
						797	693167	Nut (Brush Retainer)
						798	697890	Screw (Rocker Arm)
						801	691283	Cap-Drive
						802	691286	Cap-End
						803		Housing-Starter (Serviced By 499521 Starter Only)
						842	★691031	Seal-O Ring (Dipstick Tube)
						847	499602	Dipstick/Tube Assembly
						851	493880s	Terminal-Spark Plug
						865	691012	Cover-Air Guide (Cylinder 1)
						865A	793205	Cover-Air Guide (Cylinder 2)

★ Included in Engine Gasket Set-Ref. No.358.

● Included in Carburetor Overhaul Kit-Ref. No. 121.

◆ Included in Carburetor Gasket Set-Ref. No. 977.

△ Included in Valve Gasket Set-Ref. No 1095.

Illustrations cover a range of engines. Parts shown without corresponding text may not be used on your specific engine.

Assemblies include all parts shown in frames.



REF. NO.	PART NO.	DESCRIPTION	REF. NO.	PART NO.	DESCRIPTION	REF. NO.	PART NO.	DESCRIPTION
865B	792286	Cover-Air Guide (Valley)	1023A	499600	Cover-Rocker (Cylinder 2)	1090	691293	Retainer-Brush
868	★Δ690968	Seal-Valve	1024	499054	Pump-Oil	1095	694013	Gasket Set-Valve
877	399916	Wire/Connector-Alternator	1026	690981	Rod-Push (Steel)	1100	791959	Pivot-Rocker Arm
883	★Δ690970	Gasket-Exhaust	1026A	690982	Rod-Push (Aluminum)	1119	691183	Screw (Alternator)
914	691127	Screw (Rocker Cover)	1027	696854	Filter-Oil	1123	●841653	Seal-O Ring (Solenoid Retainer)
918	793147	Hose-Vacuum	1029	690972	Arm-Rocker	1124	●690988	Seal-O Ring (Fuel Transfer Tube)
929	695239	Screw (Choke Control Bracket)	1035	691042	Shaft-Pump	1126	690991	Screw (Fuel Transfer Tube)
943	★690589	Seal-O Ring (Oil Pump Cover)	1036		Label-Emissions (Available from an authorized Briggs and Stratton Service Dealer)	1127	695407	Screw (Float Bowl)
947	841546	Solenoid-Fuel	1040	791237	Plate-Trim	1128	690990	Screw (Carburetor Nozzle)
965	499613	Cover-Oil Pump	1051	691265	Ring-Retaining	1146	690718	Screw (Choke Shaft)
967	792303	Filter-Pre Cleaner	1054	280275	Tie-Cable	1169	●690990	Screw (Carburetor Cover Plate)
968	792289	Cover-Air Cleaner	1058	277103	Operator's Manual	1330	273521	Repair Manual
975	791232	Bowl-Float	1059	698516	Kit-Screw/Washer			
977	792456	Gasket Set-Carburetor	1070	690372	Screw (Flywheel Fan)			
987	●691000	Seal-Throttle Shaft						
1005	791236	Fan-Flywheel						
1013	690954	Nipple-Oil Filter						
1017	690770	Screen-Oil Pump						
1022	★Δ690971	Gasket-Rocker Cover						
1023	793146	Cover-Rocker (Cylinder 1)						

★ Included in Engine Gasket Set-Ref. No.358.

Δ Included in Valve Gasket Set-Ref. No 1095.

● Included in Carburetor Overhaul Kit-Ref. No. 121.

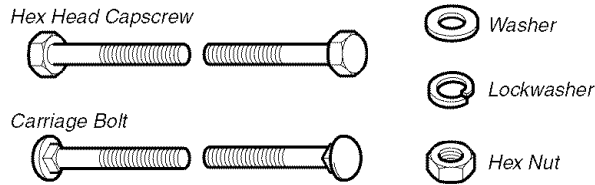
Illustrations cover a range of engines. Parts shown without corresponding text may not be used on your specific engine.

Assemblies include all parts shown in frames.



Hardware Identification & Torque Specifications

Common Hardware Types

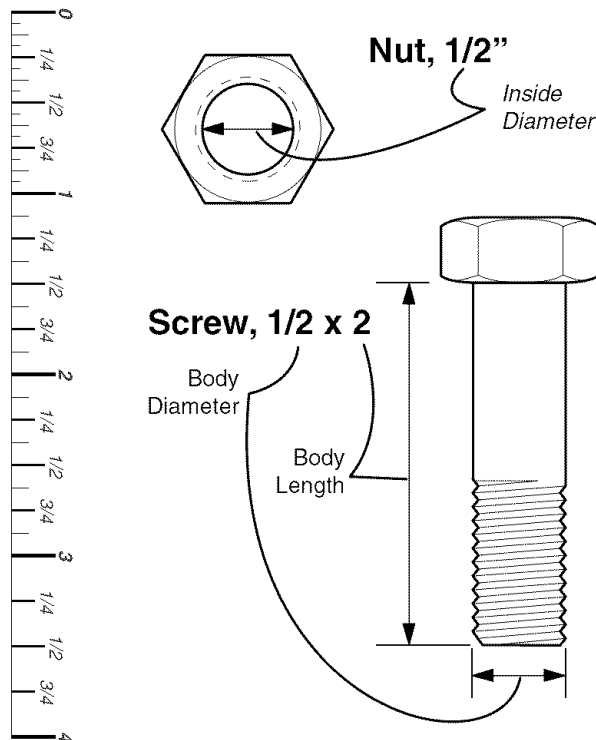


Standard Hardware Sizing

When a washer or nut is identified as 1/2", this is the *Nominal size*, meaning the *inside diameter* is 1/2 inch; if a second number is present it represent the *threads per inch*

When bolt or capscrew is identified as 1/2 - 16 x 2", this means the *Nominal size*, or *body diameter* is 1/2 inch; the second number represents the *threads per inch* (16 in this example, and the final number is the *body length* of the bolt or screw (in this example 2 inches long).

The guides and ruler furnished below are designed to help you select the appropriate hardware and tools.



Torque Specification Chart						
FOR STANDARD MACHINE HARDWARE (Tolerance ± 20%)						
Hardware Grade	No Marks SAE Grade 2		SAE Grade 5		SAE Grade 8	
	in/lbs ft/lbs	Nm.	in/lbs ft/lbs	Nm.	in/lbs ft/lbs	Nm.
8-32	19	2.1	30	3.4	41	4.6
8-36	20	2.3	31	3.5	43	4.9
10-24	27	3.1	43	4.9	60	6.8
10-32	31	3.5	49	5.5	68	7.7
1/4-20	66	7.6	8	10.9	12	16.3
1/4-28	76	8.6	10	13.6	14	19.0
5/16-18	11	15.0	17	23.1	25	34.0
5/16-24	12	16.3	19	25.8	27	34.0
3/8-16	20	27.2	30	40.8	45	61.2
3/8-24	23	31.3	35	47.6	50	68.0
7/16-14	30	40.8	50	68.0	70	95.2
7/16-20	35	47.6	55	74.8	80	108.8
1/2-13	50	68.0	75	102.0	110	149.6
1/2-20	55	74.8	90	122.4	120	163.2
9/16-12	65	88.4	110	149.6	150	204.0
9/16-18	75	102.0	120	163.2	170	231.2
5/8-11	90	122.4	150	204.0	220	299.2
5/8-18	100	136	180	244.8	240	326.4
3/4-10	160	217.6	260	353.6	386	525.0
3/4-16	180	244.8	300	408.0	420	571.2
7/8-9	140	190.4	400	544.0	600	816.0
7/8-14	155	210.8	440	598.4	660	897.6
1-8	220	299.2	580	788.8	900	1,244.0
1-12	240	326.4	640	870.4	1,000	1,360.0

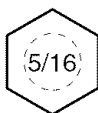
NOTES

- These torque values are to be used for all hardware excluding: locknuts, self-tapping screws, thread forming screws, sheet metal screws and socket head setscrews.
- Recommended seating torque values for locknuts:
 - for prevailing torque locknuts - use 65% of grade 5 torques.
 - for flange whizlock nuts and screws - use 135% of grade 5 torques.
- Unless otherwise noted on assembly drawings, all torque values must meet this specification.

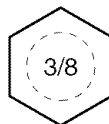
Wrench & Fastener Size Guide



1/4" Bolt or Nut
Wrench—7/16"



5/16" Bolt or Nut
Wrench—1/2"



3/8" Bolt or Nut
Wrench—9/16"



7/16" Bolt or Nut
Wrench (Bolt)—5/8"
Wrench (Nut)—11/16"



1/2" Bolt or Nut
Wrench—3/4"

Repair Protection Agreements

Congratulations on making a smart purchase. Your new Craftsman® product is designed and manufactured for years of dependable operation. But like all products, it may require repair from time to time. That's when having a Repair Protection Agreement can save you money and aggravation.

Purchase a Repair Protection Agreement now and protect yourself from unexpected hassle and expense.

Here's what's included in the Agreement:

- ☑ **Expert service** by our 12,000 professional repair specialists
- ☑ **Unlimited service and no charge** for parts and labor on all covered repairs
- ☑ **Product replacement** if your covered product can't be fixed
- ☑ **Discount of 10%** from regular price of service and service-related parts not covered by the agreement; also, 10% off regular price of preventive maintenance check
- ☑ **Fast help by phone** – phone support from a Sears technician on products requiring in-home repair, plus convenient repair scheduling.

Once you purchase the Agreement, a simple phone call is all that it takes for you to schedule service. You can call anytime day or night, or schedule a service appointment online.

Sears has over 12,000 professional repair specialists, who have access to over 4.5 million quality parts and accessories. That's the kind of professionalism you can count on to help prolong the life of your new purchase for years to come. Purchase your Repair Protection Agreement today!

Some limitations and exclusions apply. For prices and additional information call 1-800-827-6655.

Sears Installation Service

For Sears professional installation of home appliances, garage door openers, water heaters, and other major home items, in the U.S.A. call **1-800-4-MY-HOME®**

Acuerdo de Protección de Reparaciones

Felicidades por su compra inteligente. Su nuevo producto de Craftsman® fue diseñado y fabricado para años de operación confiable. Pero como todos los productos, es posible que cada cierto tiempo requiera de reparaciones. Ahí es donde tener un Acuerdo de Protección de Reparaciones puede ahorrarle dinero y contrariedades.

Compre un Acuerdo de Protección de Reparaciones ahora y protéjase usted mismo de molestias y gastos inesperados.

Aquí está lo que incluye el Acuerdo:

- ☑ **Servicio experto** de nuestros 12,000 especialistas profesionales en reparación
- ☑ **Servicio ilimitado y sin cargo** por las partes y la mano de obra en todas las reparaciones cubiertas
- ☑ **Reemplazo del producto** si su producto cubierto no puede ser arreglado
- ☑ **Descuento del 10%** del precio regular de servicio y partes relacionadas con el servicio no cubierto por el acuerdo; además, de un 10% de descuento del precio regular por revisiones de mantenimiento preventivo
- ☑ **Ayuda rápida por teléfono** – soporte telefónico de técnicos de Sears sobre productos que requieren reparaciones a domicilio, además de programación conveniente de reparación.

Una vez que compre el Acuerdo, una simple llamada telefónica es lo único que se necesita para que le programen el servicio. Usted puede llamar a cualquier hora del día o de la noche, o programar una cita de servicio por Internet.

Sears cuenta con más de 12,000 especialistas profesionales en reparación, que tienen acceso a más de 4.5 millones partes y accesorios de calidad. Ese es el tipo de profesionalismo con el que usted puede contar para ayudarle a prolongar la vida de su nueva compra por muchos años venideros. ¡Compre su Acuerdo de Protección de Reparaciones hoy!

Aplican algunas limitantes y exclusiones. Para obtener información sobre el precio e información adicional llame al 1-800-827-6655.

Servicio de Instalación de Sears

Para obtener información sobre la instalación profesional de Sears para electrodomésticos, abridores para cocheras, calentadores de agua y otros artículos grandes, en los Estados Unidos llame a **1-800-4-MY-HOME®**

Get it fixed, at your home or ours!

Your Home

For repair – **in your home** – of **all** major brand appliances, lawn and garden equipment, or heating and cooling systems, **no matter who made it, no matter who sold it!**

For the replacement parts, accessories and owner's manuals that you need to do-it-yourself.

For Sears professional installation of home appliances and items like garage door openers and water heaters.

1-800-4-MY-HOME® (1-800-469-4663)

Call anytime, day or night (U.S.A. and Canada)

www.sears.com www.sears.ca

For expert home solutions advice: www.managemyhome.com

Our Home

For repair of carry-in items like vacuums, lawn equipment, and electronics, call or go on-line for the location of your nearest

Sears Parts & Repair Service Center

1-800-488-1222 (U.S.A.) 1-800-469-4663 (Canada)

Call anytime, day or night

www.sears.com www.sears.ca

To purchase a protection agreement on a product serviced by Sears:

1-800-827-6655 (U.S.A.)

1-800-361-6665 (Canada)

Para pedir servicio de reparación a domicilio, y para ordenar piezas:

1-888-SU-HOGAR®

(1-888-784-6427)

Au Canada pour service en français:

1-800-LE-FOYER^{MC}

(1-800-533-6937)

www.sears.ca



® Registered Trademark / ™ Trademark / ™ Service Mark of Sears Brands, LLC

© Marca Registrada / ™ Marca de Fábrica / ™ Marca de Servicio de Sears Brands, LLC

MC Marque de commerce / MD Marque déposée de Sears Brands, LLC

© Sears Brands, LLC