



FRONT-LOADING AUTOMATIC WASHER

Use & Care Guide

For questions about features, operation/performance, parts, accessories or service call: 1-800-253-1301.

In Canada, for assistance call: 1-800-461-5681, for installation and service call: 1-800-807-6777.

or visit our website at
www.whirlpool.com or www.whirlpool.com/canada

LAVADORA AUTOMÁTICA DE CARGA FRONTAL

Manual de Uso y Cuidado

Si tiene preguntas respecto a las características, funcionamiento, rendimiento, partes, accesorios o servicio técnico, llame al: 1-800-253-1301.

o visite nuestra página de internet en www.whirlpool.com

LAVEUSE AUTOMATIQUE À CHARGEMENT FRONTAL

Guide d'utilisation et d'entretien

Pour des questions à propos des caractéristiques, du fonctionnement/performance, des pièces, accessoires ou service, composez le 1-800-253-1301.

Pour assistance au Canada, composez le 1-800-461-5681, pour installation et service, composez le 1-800-807-6777.

ou visitez notre site internet à
www.whirlpool.com ou www.whirlpool.com/canada

Table of Contents/Índice/Table des matières 2



TABLE OF CONTENTS

WASHER SAFETY	3
INSTALLATION REQUIREMENTS	4
Tools and Parts	4
Options	4
Location Requirements	5
Drain System	6
Electrical Requirements	7
INSTALLATION INSTRUCTIONS	7
Remove Transport System	7
Connect the Inlet Hoses	8
Route the Drain Hose	8
Secure the Drain Hose	9
Level the Washer	9
Complete Installation	9
FEATURES AND BENEFITS	10
WASHER USE	11
Starting Your Washer	11
Using the Dispenser	12
Pausing or Restarting	13
Changing Cycles, Options and Modifiers	13
Status Lights	13
Cycles	13
Options	15
Modifiers	15
Laundry Guide	16
LAUNDRY TIPS	16
Loading	16
WASHER CARE	17
Cleaning Your Washer	17
Water Inlet Hoses	17
Vacation, Storage, and Moving Care	17
TROUBLESHOOTING	18
ASSISTANCE OR SERVICE	20
WARRANTY	21

ÍNDICE

SEGURIDAD DE LA LAVADORA	23
REQUISITOS DE LA INSTALACIÓN	24
Herramientas y piezas	24
Opciones	24
Requisitos para la ubicación	25
Sistema de desagüe	26
Requisitos eléctricos	27
INSTRUCCIONES DE INSTALACIÓN	28
Eliminación del sistema de transporte	28
Conexión de las mangueras de entrada	28
Tendido de la manguera de desagüe	29
Fijación de la manguera de desagüe	29
Nivelación de la lavadora	29
Complete la instalación	29
CARACTERÍSTICAS Y VENTAJAS	30
USO DE LA LAVADORA	31
Puesta en marcha de la lavadora	31
Uso del depósito	32
Pausa o reanudación de la marcha	33
Cambio de ciclos, opciones y modificadores	33
Luces de estado	33
Ciclos	34

Opciones	35
Modificadores	35
Guía para el lavado	36
CONSEJOS DE LAVANDERÍA	37
Cómo cargar	37
CUIDADO DE LA LAVADORA	37
Limpieza de su lavadora	37
Mangueras de entrada del agua	37
Cuidado durante las vacaciones, el almacenamiento y la mudanza	38
SOLUCIÓN DE PROBLEMAS	38
AYUDA O SERVICIO TÉCNICO	41
GARANTÍA	42

TABLE DES MATIÈRES

SÉCURITÉ DE LA LAVEUSE	44
EXIGENCES D'INSTALLATION	45
Outils et pièces	45
Options	45
Exigences d'emplacement	46
Système de vidange	47
Spécifications électriques	48
INSTRUCTIONS D'INSTALLATION	48
Enlèvement du système de transport	48
Raccordement des tuyaux d'alimentation	49
Acheminement du tuyau de vidange	49
Immobilisation du tuyau de vidange	50
Réglage de l'aplomb de la laveuse	50
Achever l'installation	50
CARACTÉRISTIQUES ET AVANTAGES	51
UTILISATION DE LA LAVEUSE	52
Mise en marche de la laveuse	52
Utilisation du distributeur	53
Pause ou remise en marche	54
Changement de programmes, options et modificateurs	54
Témoins lumineux	54
Programmes	55
Options	56
Modificateurs	56
Guide de lessivage	57
CONSEILS DE LESSIVAGE	58
Chargement	58
ENTRETIEN DE LA LAVEUSE	59
Nettoyage de la laveuse	59
Tuyaux flexibles d'alimentation de la laveuse	59
Préparation avant les vacances, un entreposage ou un déménagement	59
DÉPANNAGE	60
ASSISTANCE OU SERVICE	62
GARANTIE	63



TODOLQUEDIAMINAS

WASHER SAFETY

Your safety and the safety of others are very important.

We have provided many important safety messages in this manual and on your appliance. Always read and obey all safety messages.



This is the safety alert symbol.

This symbol alerts you to potential hazards that can kill or hurt you and others.

All safety messages will follow the safety alert symbol and either the word "DANGER" or "WARNING."

These words mean:

⚠ DANGER

You can be killed or seriously injured if you don't immediately follow instructions.

⚠ WARNING

You can be killed or seriously injured if you don't follow instructions.

All safety messages will tell you what the potential hazard is, tell you how to reduce the chance of injury, and tell you what can happen if the instructions are not followed.

IMPORTANT SAFETY INSTRUCTIONS

WARNING: To reduce the risk of fire, electric shock, or injury to persons when using the washer, follow basic precautions, including the following:

- Read all instructions before using the washer.
- Do not wash articles that have been previously cleaned in, washed in, soaked in, or spotted with gasoline, dry-cleaning solvents, other flammable, or explosive substances as they give off vapors that could ignite or explode.
- Do not add gasoline, dry-cleaning solvents, or other flammable, or explosive substances to the wash water. These substances give off vapors that could ignite or explode.
- Under certain conditions, hydrogen gas may be produced in a hot water system that has not been used for 2 weeks or more. **HYDROGEN GAS IS EXPLOSIVE.** If the hot water system has not been used for such a period, before using the washing machine, turn on all hot water faucets and let the water flow from each for several minutes. This will release any accumulated hydrogen gas. As the gas is flammable, do not smoke or use an open flame during this time.
- Do not allow children to play on or in the washer. Close supervision of children is necessary when the washer is used near children.
- Before the washer is removed from service or discarded, remove the door or lid.
- Do not reach into the washer if the drum, tub or agitator is moving.
- Do not install or store the washer where it will be exposed to the weather.
- Do not tamper with controls.
- Do not repair or replace any part of the washer or attempt any servicing unless specifically recommended in this manual or in published user-repair instructions that you understand and have the skills to carry out.
- See "Electrical Requirements" for grounding instructions.

SAVE THESE INSTRUCTIONS

INSTALLATION REQUIREMENTS

Tools and Parts

Gather the necessary tools and supplies before beginning the washer installation. The parts supplied are in the washer drum.

Tools needed for connecting the water inlet hoses

- Pliers (that open to 1 $\frac{1}{16}$ " [39.5 mm])
- Flashlight (optional)

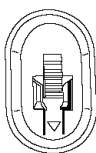
Tools needed for installation

- Open end wrench 17 mm and 13 mm
- Level
- Wood block
- Ruler or measuring tape

Parts supplied:



Beaded strap



Transport bolt hole plug (4)

Alternate Parts

Your installation may require additional parts. If you are interested in purchasing one of the items listed here, call the toll-free number on the cover or in the "Assistance or Service" section.

If You Have	You Will Need to Buy
Laundry tub or standpipe taller than 96" (2.4 m)	Sump pump system (if not already available)
Overhead sewer	Standard 20 gal. (76 L), 30" (76.2 cm) tall drain tub or utility sink and sump pump (available from local plumbing suppliers)
Floor drain	Siphon break, Part Number 285834; additional drain hose Part Number 8318155; and connector kit, Part Number 285835
Drain hose too short	4 ft (1.2 m) drain hose extension kit, Part Number 285863
Water faucets beyond reach of fill hoses	2 longer water fill hoses: 6 ft (1.8 m) Part Number 76314, 10 ft (3.0 m) Part Number 350008

Options

Pedestal

You may order a pedestal separately for this washer. This pedestal will add about 13" (33 cm) to the height of your unit for a total height of approximately 51" (130 cm).



Optional pedestal

To order, call the dealer from whom you purchased your washer or refer to the "Assistance or Service" section of this manual.

13" (33 cm) Pedestals

Color	Part Number
White	LAB2700MQ
Biscuit	LAB2700MT
Pewter	LAB2700ML

Stack Kit

Are you planning to stack your washer and dryer? To do so you will need to purchase a Stack Kit.

To order, call the dealer from whom you purchased your dryer or refer to the "Assistance or Service" section of this manual. Ask for Part Number 8541503.

Location Requirements

Selecting the proper location for your washer improves performance and minimizes noise and possible washer “walk.” Your washer can be installed under a custom counter, or in a basement, laundry room, closet, or recessed area. See “Drain System.”

Companion appliance location requirements should also be considered. Proper installation is your responsibility.

You will need

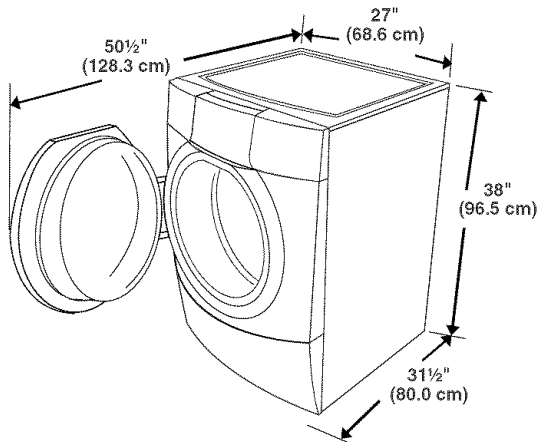
- A water heater set to deliver 120°F (49°C) water to the washer.
- A grounded electrical outlet located within 6 ft (1.8 m) of where the power cord is attached to the back of the washer. See “Electrical Requirements.”
- Hot and cold water faucets located within 4 ft (1.2 m) of the hot and cold water fill valves, and water pressure of 20-100 psi (137.9-689.6 kPa).
- A level floor with a maximum slope of 1" (2.5 cm) under entire washer. Installing the washer on soft floor surfaces, such as carpets or surfaces with foam backing, is not recommended.
- A sturdy and solid floor to support the washer with a total weight (water and load) of 400 lbs (180 kg).

Do not operate your washer in temperatures below 32°F (0°C). Some water can remain in the washer and can cause damage in low temperatures.

Installation clearances

- The location must be large enough to allow the washer door to be fully opened.
- Additional spacing should be considered for ease of installation and servicing.
- Additional clearances might be required for wall, door, and floor moldings.
- Additional spacing of 1" (2.5 cm) on all sides of the washer is recommended to reduce noise transfer.
- Companion appliance spacing should also be considered.

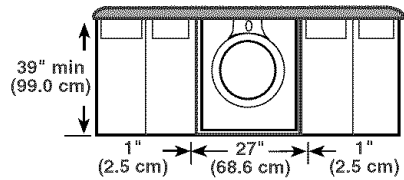
Washer Dimensions



Recommended installation spacing for custom undercounter installation

The dimensions shown are for the recommended spacing.

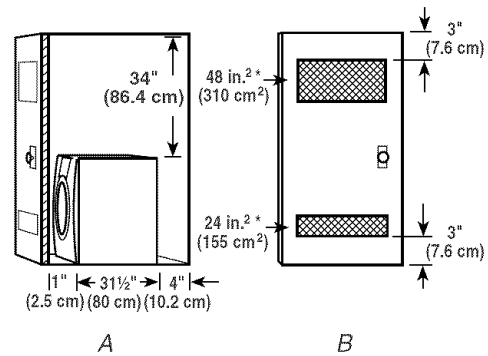
Custom undercounter installation - Washer only



Recommended installation spacing for recessed or closet installation, with or without a pedestal

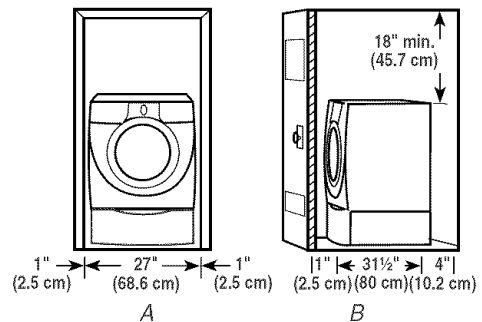
The dimensions shown are for the recommended spacing.

Recessed area or closet installation



A. Side view - closet or confined area
B. Closet door with vents

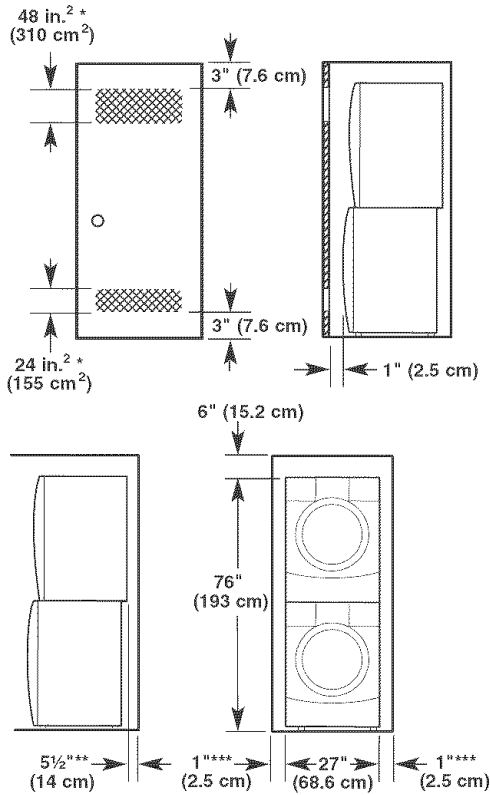
Recessed or closet installation - Washer on pedestal



A. Recessed area
B. Side view - closet or confined area

Recommended installation spacing for recessed or closet installation, with stacked washer and dryer

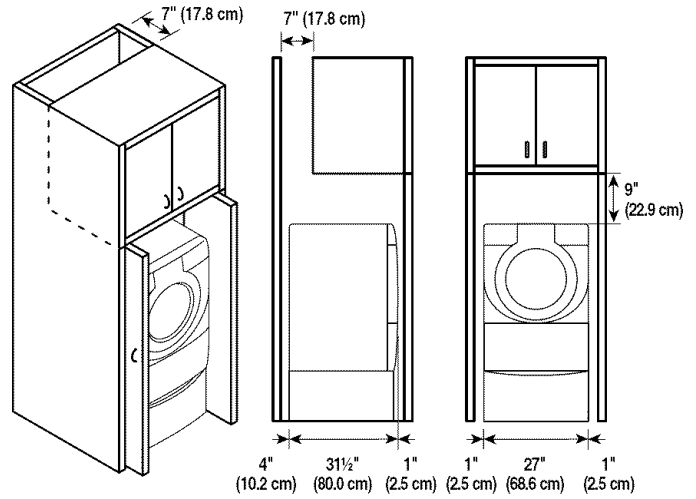
The dimensions shown are for the recommended spacing.



- *Min. top and bottom air openings for closet door.
- **External exhaust elbow requires additional space.
- ***Wall, door and floor molding may require additional spacing.

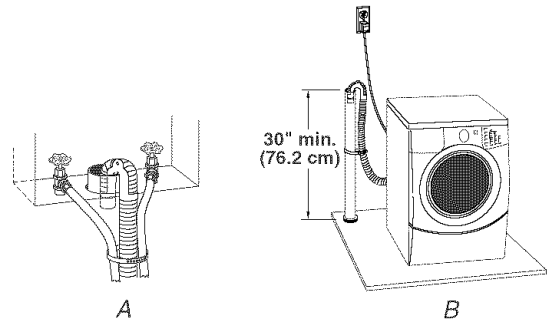
Recommended installation spacing for cabinet installation

- The dimensions shown are for the recommended spacing.
- For cabinet installation, with a door, the minimum ventilation openings in the top are required.



Drain System

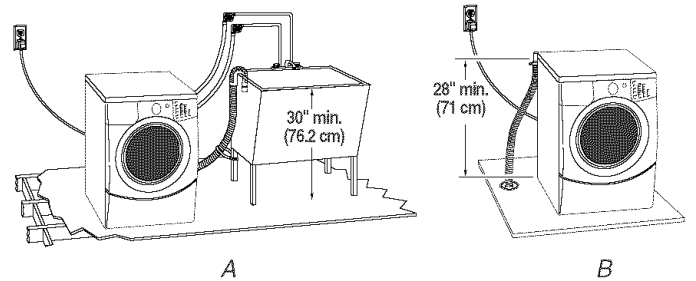
The washer can be installed using the standpipe drain system (floor or wall), the laundry tub drain system, or the floor drain system. Select the drain hose installation method you need. See "Tools and Parts."



Standpipe drain system - wall or floor (views A & B)

The standpipe drain requires a minimum diameter standpipe of 2" (5 cm). The minimum carry-away capacity can be no less than 17 gal. (64 L) per minute.

The top of the standpipe must be at least 30" (76.2 cm) high and no higher than 96" (2.4 m) from the bottom of the washer.



Laundry tub drain system (view A)

The laundry tub needs a minimum 20 gal. (76 L) capacity. The top of the laundry tub must be at least 30" (76.2 cm) above the floor.

Floor drain system (view B)

The floor drain system requires a siphon break that may be purchased separately. See "Tools and Parts."

The siphon break must be a minimum of 28" (71 cm) from the bottom of the washer. Additional hoses might be needed.

Electrical Requirements

⚠ WARNING



Electrical Shock Hazard

Plug into a grounded 3 prong outlet.

Do not remove ground prong.

Do not use an adapter.

Do not use an extension cord.

Failure to follow these instructions can result in death, fire, or electrical shock.

- A 120-volt, 60-Hz., AC-only, 15- or 20-amp, fused electrical supply is required. Time-delay fuse or circuit breaker is recommended. It is recommended that a separate circuit serving only this appliance be provided.
- This washer is equipped with a power supply cord having a 3 prong ground plug.
- To minimize possible shock hazard, the cord must be plugged into a mating, 3 prong, ground-type outlet, grounded in accordance with local codes and ordinances. If a mating outlet is not available, it is the personal responsibility and obligation of the customer to have the properly grounded outlet installed by a qualified electrician.
- If codes permit and a separate ground wire is used, it is recommended that a qualified electrician determine that the ground path is adequate.
- Do not ground to a gas pipe.
- Check with a qualified electrician if you are not sure the washer is properly grounded.
- Do not have a fuse in the neutral or ground circuit.

GROUNDING INSTRUCTIONS

For a grounded, cord-connected washer:

This washer must be grounded. In the event of a malfunction or breakdown, grounding will reduce the risk of electrical shock by providing a path of least resistance for electric current. This washer is equipped with a cord having an equipment-grounding conductor and a grounding plug. The plug must be plugged into an appropriate outlet that is properly installed and grounded in accordance with all local codes and ordinances.

WARNING: Improper connection of the equipment-grounding conductor can result in a risk of electric shock. Check with a qualified electrician or serviceman if you are in doubt as to whether the appliance is properly grounded.

Do not modify the plug provided with the appliance – if it will not fit the outlet, have a proper outlet installed by a qualified electrician.

For a permanently connected washer:

This washer must be connected to a grounded metal, permanent wiring system, or an equipment grounding conductor must be run with the circuit conductors and connected to the equipment-grounding terminal or lead on the appliance.

INSTALLATION INSTRUCTIONS

Remove Transport System

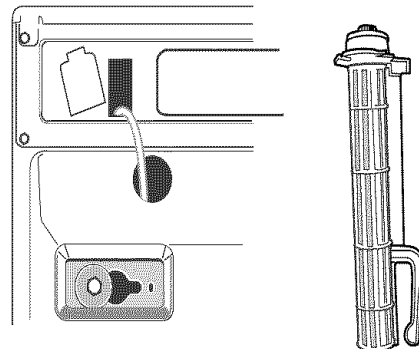
⚠ WARNING

Excessive Weight Hazard

Use two or more people to move and install washer.

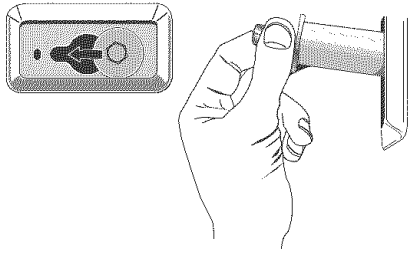
Failure to do so can result in back or other injury.

IMPORTANT: Position the washer so that the rear of the unit is within approximately 3 ft (90 cm) of the final location. There are 4 bolts in the rear panel of the washer that support the suspension system during transportation. These bolts also retain the power cord inside the washer until the bolts are removed.



1. Using a 13 mm wrench, loosen each of the bolts.

- Once the bolt is loose, move it to the center of the hole and completely pull out the bolt, including the plastic spacer covering the bolt.



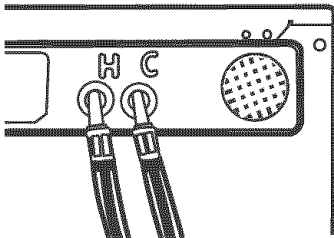
- Once all 4 bolts are removed discard bolt and spacers. Then pull the power cord through the opening of the rear panel and close the hole with the attached cap.
- Close the bolt holes with the 4 transport bolt hole plugs.

NOTE: If the washer is to be transported at a later date, call your local service center. To prevent suspension and structural damage, your machine must be properly set up for relocation by a certified technician.

Connect the Inlet Hoses

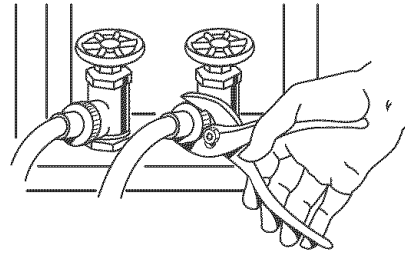
Make sure the washer drum is empty.

- Attach the hose with the red color indicator to the Hot (left) inlet valve. Attaching the red coupling first makes it easier to tighten connection with pliers. Screw on coupling by hand until it is seated on the washer.
- Attach the hose with the blue color indicator to the Cold (right) water inlet valve. Screw on coupling by hand until it is seated on the washer.



- Using pliers, check the tightness of the hose couplings already attached to the washer.
NOTE: Do not overtighten. Damage to the coupling can result.
- Attach the hose with the red color indicator to the hot water faucet. Screw on coupling by hand until it is seated on the washer.

- Attach the hose with the blue color indicator to the cold water faucet. Screw on coupling by hand until it is seated on the washer.
- Using pliers, tighten the couplings with an additional two-thirds turn.



NOTE: Do not overtighten. Damage to the coupling can result.

- Turn on the water faucets and check for leaks.

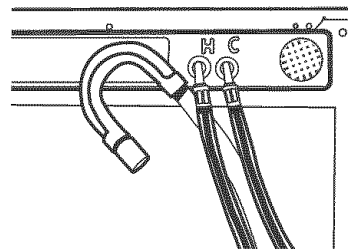
NOTE: Replace inlet hoses after 5 years of use to reduce the risk of hose failure. Record hose installation or replacement dates on the hoses for future reference.

Periodically inspect and replace hoses if bulges, kinks, cuts, wear, or leaks are found.

Route the Drain Hose

Proper routing of the drain hose protects your floors from damage due to water leakage. Carefully read and follow these instructions.

The drain hose is connected to your washer.



To prevent drain water from going back into the washer:

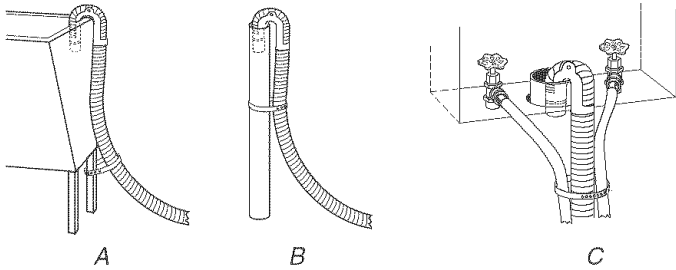
- Do not straighten the drain hose, and do not force excess drain hose into standpipe. Hose should be secure, but loose enough to provide a gap for air.
- Do not lay excess hose on the bottom of the laundry tub.

Floor drain

You may need additional parts. See Floor Drain under “Tools and Parts.”

Secure the Drain Hose

1. Drape the power cord over the washer top.
2. Secure the drain hose to the laundry tub leg or standpipe with the beaded strap provided. (See illustrations A and B.)



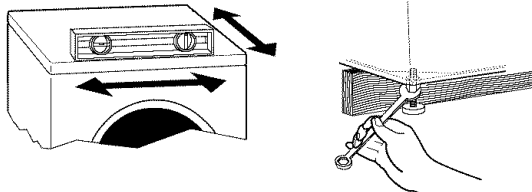
If the washer faucets and the drain standpipe are recessed (see illustration C), put the hooked end of the drain hose in the standpipe. Tightly wrap the beaded strap around the water inlet hoses and the drain hose.

Do not force excess drain hose into the standpipe.

Level the Washer

Properly leveling your washer prevents excessive noise and vibration.

1. Check the levelness of the washer by placing a level on the top edge of the washer, first side to side, then front to back.



If the washer is against a wall, move the washer out slightly before tipping back. If the washer is not level, first prop the front with a wood block and adjust the feet as necessary; then prop the back and adjust feet as necessary. Repeat this step until washer is level.

2. Make sure all four feet are stable and resting on the floor. Then check that the appliance is perfectly level (use a level).
3. After the washer is level, use a 17 mm open-end wrench to turn the nuts on the feet tightly against the washer cabinet.
IMPORTANT: All 4 feet must be tightened. If the nuts are not tight against the washer cabinet, the washer may vibrate.
4. The washer should not move front to back, side to side, or diagonally when pushed on its top edges.
5. Slide the washer to its final location.
6. Confirm the levelness of the washer.

Complete Installation

1. Check the electrical requirements. Be sure that you have the correct electrical supply and the recommended grounding method. See "Electrical Requirements."
2. Check to be sure all parts are now installed. If there is an extra part, go back through the steps to see which step was skipped.
3. Check to be sure you have all of your tools.
4. Dispose of/recycle all packaging materials.
5. Check to be sure the water faucets are on.
6. Check for leaks around faucets and inlet hoses.

⚠ WARNING



Electrical Shock Hazard

Plug into a grounded 3 prong outlet.

Do not remove ground prong.

Do not use an adapter.

Do not use an extension cord.

Failure to follow these instructions can result in death, fire, or electrical shock.

7. Plug into a grounded 3 prong outlet.
8. Read "Washer Use."
9. To test and to clean your washer, measure $\frac{1}{2}$ the normal recommended amount of powdered or liquid High Efficiency (HE) detergent. Pour the detergent into the detergent dispenser. Select NORMAL/CASUAL, and then select HOLD TO START. Allow the washer to complete one whole cycle.

FEATURES AND BENEFITS

Electronic Controls

Flexible electronic controls are easy to use whether you are a beginner or an expert.

Smart Dispensers

The smart dispensers make your washer truly automatic. This washer provides a three-compartment dispenser which includes separate compartments for detergent, fabric softener, and bleach. The dispenser has large pour zones, is self-cleaning, and can be easily removed. Laundry products are diluted with fresh water and added to the load at the proper time in the wash cycle.

Auto Water Level

This washer automatically adjusts water level for best cleaning and rinsing performance. Two sensors determine load size, load composition, and suds level, then the sensors adjust the water level to the proper setting. This eliminates guesswork. The water level is just right for every wash load size.

Larger Load Size

Since there is no agitator, you can wash larger, bulkier items like a king-sized bedspread. You are also able to wash more clothes at one time, which means fewer loads.

Suspension System

To reduce washer “walk” and “off-balance” conditions, your new washer combines:

- 2 Springs to isolate vibration
- 4 Shock absorbers at the washer base to minimize movement

Stainless Steel Drum

The Stainless Steel drum eliminates corrosion and enables higher spin speeds for more water extraction, reducing drying time.

High-Efficiency Wash System

Your new front-loading, high-efficiency washer saves time with fewer, larger loads, and lowers your water and energy bills by helping conserve resources.

Spin Speeds

This washer automatically selects the spin speed based on the cycle selected. This factory setting can be changed, however. This washer offers up to four different spin speed choices.

ACCUWASH™ Automatic Temperature Control

The ACCUWASH™ control electronically senses and maintains a uniform water temperature. ACCUWASH control regulates incoming hot and cold water. ACCUWASH control is automatically turned On when a cycle is selected.

Add A Garment

When this option is available at the beginning of the cycle, the Add A Garment Status Light will glow for the first 8 minutes. This washer allows an 8-minute period in which forgotten garments may be added to a load.

CATALYST® Cleaning Action with Direct Injection

This washer channels 100% of the water through the dispensers to assure thorough rinse-out and mixture of all the additives before they touch any garments. The water is then sprayed from the top front onto the center of the load, providing even distribution and optimum cleaning performance. It is normal for small amounts of water to remain in the dispensers when the wash cycle is complete.

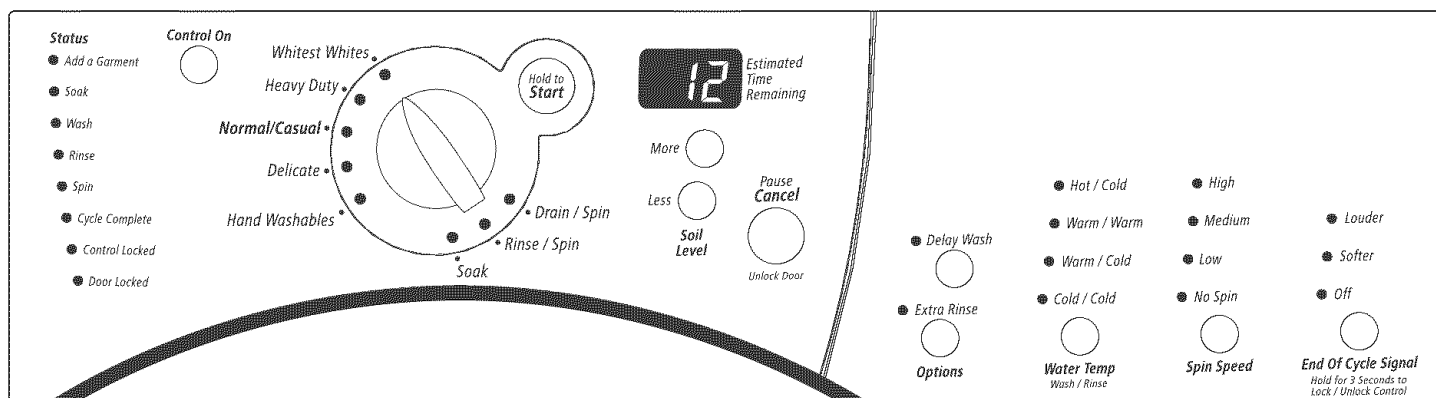
Efficient Detergent System

This washer has a specially designed valve that closes during the wash portion of the cycle so that 100% of the water and detergent mixture is used on the load. The Efficient Detergent System ensures that no water or detergent is wasted.

Dynamic Off-Balance Detection

This washer uses two sensors to detect load size and the amount of off-balance within the load. The suspension system and controls are specially designed to redistribute the load automatically.


WASHER USE



NOTE: The panel shown above may be different from that of your model.

Starting Your Washer

⚠ WARNING



Fire Hazard

Never place items in the washer that are dampened with gasoline or other flammable fluids.

No washer can completely remove oil.

Do not dry anything that has ever had any type of oil on it (including cooking oils).

Doing so can result in death, explosion, or fire.

WARNING: To reduce the risk of fire, electric shock, or injury to persons, read the IMPORTANT SAFETY INSTRUCTIONS before operating this appliance.

The following is a guide to using your washer. Please refer to specific sections of this manual for more detailed information.

Do not store laundry products on the top surface of this washer. Vibration is normal during operation.

First Wash Cycle Without Laundry

Before washing clothes for the first time, select the NORMAL/CASUAL cycle and run the washer without clothes. Use ½ the normal recommended amount of powdered or liquid High Efficiency (HE) detergent. This initial cycle serves to ensure the interior is clean before washing clothes.

1. To load washer

Open the washer door by pulling on the handle. Sort laundry according to color and type of fabric. Place a load of sorted clothes in the washer. Do not overload washer. Overloading can cause poor cleaning.

- The washer can be fully loaded, but not tightly packed. Washer door should close easily.
- Mix large and small items and avoid washing single items. Load evenly.
- Wash small items, such as infant socks, in mesh garment bags. It is recommended that more than one garment bag be used, and that each garment bag be filled with equal amounts of material.

- When unloading garments, occasionally check under the rubber rim at the front of the tub for small items.

2. Close the washer door by pushing it firmly until the lock clicks. The washer door will remain locked during the wash cycle.

NOTE: After any wash cycle is completed, the door must be opened and then closed before a new cycle can begin. The door can be opened only if PAUSE/CANCEL is selected while the ADD A GARMENT light is glowing or if the cycle has been canceled. See “To Cancel a Cycle.”

3. Open the Dispenser Drawer and add laundry products to the detergent, bleach, or fabric softener compartments. Close drawer slowly to avoid spills. See “Using the Dispenser.”

NOTE: For best performance, use High Efficiency detergents. The package for this type of detergent will be marked “HE” or “High Efficiency.” The wash action along with less water could create too much sudsing with a regular detergent.

4. Turn on the washer by selecting one of the wash cycles. The indicator light for the selected cycle will glow. When selecting a wash cycle, the preset Options, Water Temp, Spin Speed, and soil level for the selected cycle will glow. The display shows the estimated time remaining. The preset settings provide the recommended fabric care for the selected cycle. See “Cycles.”

5. Select the desired OPTIONS. Not all options are available with all cycles. See “Options.”

6. Select the desired MODIFIERS. Not all modifiers are available with all cycles and options. See “Modifiers.”

7. If desired, select the END OF CYCLE SIGNAL. The signal is helpful when you are washing items that should be removed from the washer as soon as it stops. Select LOUDER or SOFTER.

8. To begin the wash cycle

Select CONTROL ON.

- If you do not select HOLD TO START within 5 minutes of choosing a cycle, the washer automatically shuts off.
- When the wash cycle is complete, the CYCLE COMPLETE status light glows, the door unlocks, and the wash load can be removed from the washer. The washer powers down automatically 5 minutes after the cycle is complete and the CYCLE COMPLETE light goes off. To power down the washer manually after the wash cycle is complete, select PAUSE/CANCEL once.

Using the Dispenser

Your new washer has a dispenser drawer with three separate compartments for your laundry products—one is for detergent, one is for liquid chlorine bleach, and one is for liquid fabric softener. Laundry products are diluted and dispensed automatically at the proper time during the wash cycle, making it unnecessary for you to return to the washer during the cycle to add them.

It is normal for small amounts of water to remain in the dispensers when the wash cycle is complete.

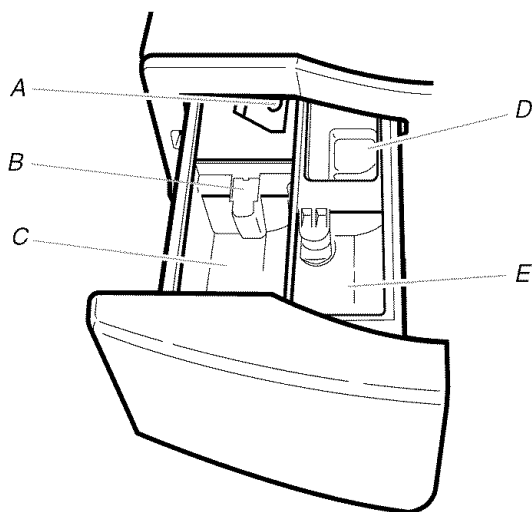
Do not put laundry additives directly into the wash tub. Always use the proper dispensers when adding laundry products.

Choosing the Right Detergent

For best washing performance, use a High Efficiency (HE), or low-sudsing, detergent.

To fill dispenser compartments

1. Pull out the dispenser drawer.
2. Add the desired laundry product to the proper compartment.
3. Push in the dispenser drawer carefully and completely (to avoid spillage).



Dispenser

- A. Dispenser release lever
- B. Separator
- C. Detergent compartment
- D. Bleach compartment
- E. Fabric softener compartment

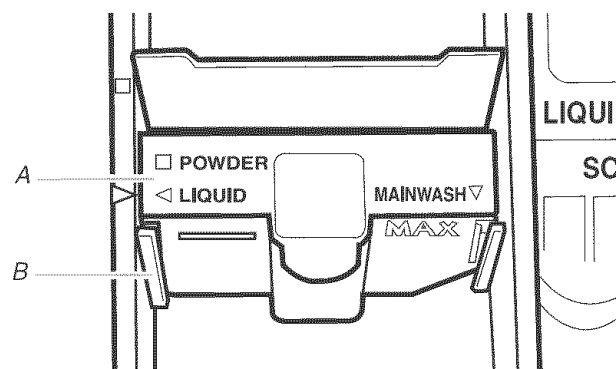
Detergent compartment

(Letter C in Dispenser Illustration)

Add liquid or powdered HE detergent to this compartment for your wash cycle. The detergent separator must always be in place, either in the front or back position.

- Do not fill beyond the “MAX” level.
- Liquid or powdered color-safe bleach may be added to the Main Wash compartment along with the same type of detergent, liquid or powdered.

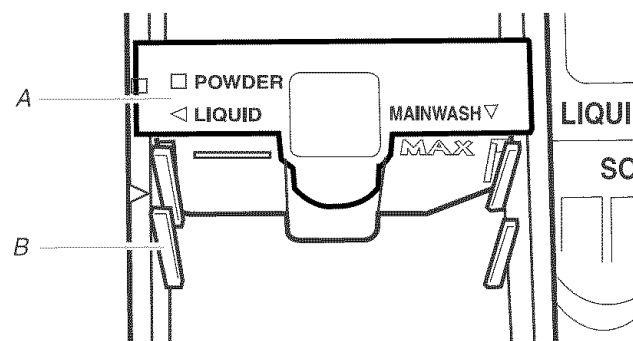
- **Liquid detergent:** Put the SEPARATOR in the front position, between the guides, as shown following. There will be no gap between the bottom of the wash cycle detergent compartment and the bottom of the separator.



Separator in front position, between guides

- A. Separator
- B. Guide

- **Powdered detergent:** Put the SEPARATOR in the back position, behind the guides, as shown following. There will be a gap between the bottom of the wash cycle detergent compartment and the bottom of the separator.



Separator in back position, behind guides

- A. Separator
- B. Guide

NOTE: The separator will be in the POWDER (back) position when shipped from the factory.

Bleach compartment

(Letter D in Dispenser Illustration)

Add NO MORE THAN 1/3 cup (80 mL) liquid chlorine bleach to this compartment. The bleach will be automatically diluted and dispensed at the optimum time during the first rinse after the wash cycle. This compartment cannot dilute powdered bleach.

- Always measure liquid chlorine bleach. Use a measuring cup with a pour spout; do not guess.
- Do not fill beyond the “MAX” level. Overfilling could cause severe garment damage.

Fabric Softener compartment

(Letter E in Dispenser Illustration)

Add 1/4 cup (60 mL) liquid fabric softener to this compartment. Fabric softener will be automatically dispensed in the final rinse.

- Do not fill beyond the “MAX” level.

Pausing or Restarting

1. To pause the washer at any time, select PAUSE/CANCEL.
2. To continue the cycle, select HOLD TO START (for approximately 1 second).

Changing Cycles, Options and Modifiers

Not all Options and Modifiers are available with all cycles. Cycles, Options and Modifiers can be changed anytime before HOLD TO START is selected.

Options and Modifiers can be changed anytime after HOLD TO START is selected and before the start of the selected Option or Modifier.

To cancel a cycle and select a new cycle

1. Select PAUSE/CANCEL twice.
2. Select desired cycle.
3. Select the desired OPTIONS or MODIFIERS.
4. Select HOLD TO START (for approximately 1 second) to restart the washer at the beginning of the new cycle.

To cancel a cycle

1. Select PAUSE/CANCEL twice.
2. The washer powers down, the door unlocks, and clothes can be removed.

NOTE: If the water level or the temperature is too high, the washer will drain automatically before the door unlocks.

To change Options or Modifiers after the cycle has started

1. Select PAUSE/CANCEL.
2. Select the desired OPTIONS or MODIFIERS.
3. Select HOLD TO START (for approximately 1 second) to continue the cycle.

To drain the washer manually

1. Select PAUSE/CANCEL.
2. Select DRAIN/SPIN.
3. Select HOLD TO START (for approximately 1 second) to begin the drain.
4. When the spin is complete, the door unlocks. Items can be removed from the washer.

Status Lights

These lights show which portion of the cycle the washer is operating. They also indicate when you can add an additional item to the wash cycle and when the controls are locked.

Status

- Add a Garment
- Soak
- Wash
- Rinse
- Spin
- Cycle Complete
- Control Locked
- Door Locked

Adding items

This washer allows an 8-minute period in which forgotten garments may be added to the load. You can add items to the washer if the ADD A GARMENT status light is glowing.

To add items

1. Select PAUSE/CANCEL. The washer door unlocks, and items can be added.
2. To continue the cycle, close the door and select HOLD TO START (for approximately 1 second).
3. To unlock the door after the Add a Garment period, press PAUSE/CANCEL twice. This will cancel the Wash Cycle.

Cycle Complete

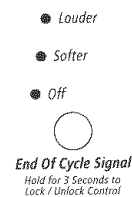
The cycle complete light stays on for 5 minutes after the cycle is complete, and then the washer shuts off.

Locking controls

The Control Lock prevents unintended use of the washer. You can also use the control lock feature to prevent unintended cycle or option changes during a cycle. When CONTROL LOCKED is lit, all buttons are disabled except for PAUSE/CANCEL and START. You can lock the controls while the washer is operating.

To lock the controls

Select and hold END OF CYCLE SIGNAL for 3 seconds.



The CONTROL LOCKED status light glows.

To unlock the controls

Select and hold END OF CYCLE SIGNAL for 3 seconds until the CONTROL LOCKED Status light turns off.

Door Locked

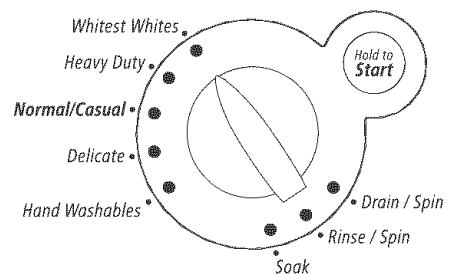
When the status light glows, the door is locked.

Estimated time remaining

The cycle time varies automatically based on your water pressure, water temperature, detergent and clothes load. The cycle time will be extended if oversudsing occurs or the load is unbalanced. The SUDs routine removes extra suds and assures proper rinsing of your garments. During the unbalance routine the time displayed may pause until this activity is complete, then resume with the cycle. Estimated time remaining may add up to a half-hour to the default cycle time.

Cycles

Cycles can be selected by turning the Cycle control knob to the desired cycle. Each cycle is designed for different types of fabric and soil levels.



- Each cycle has a preset Soil Level (cycle time), Water Temperature and Spin Speed, and may have preset options. The preset settings provide the recommended fabric care for the selected cycle.

- The preset settings can be changed anytime before HOLD TO START is pressed. Not all options and modifiers are available with all cycles. (To change settings after the cycle has started, press PAUSE/CANCEL, then select the desired settings. Press HOLD TO START to continue the cycle.)

Whitest Whites

This cycle is especially designed for cleaning loads of soiled white fabrics with the addition of bleach. Hot washing temperatures assure optimal bleach activity. An additional rinse provides optimal rinse performance to avoid chlorine residues on your laundry. This cycle combines fast-speed tumbling, longer wash time and high-speed spin to shorten drying times.

Heavy Duty

Use this cycle to wash loads of sturdy, colorfast fabrics and heavily soiled garments. This cycle combines fast-speed tumbling, longer wash time, and high-speed spin to shorten drying times.

Normal/Casual

Use this cycle to wash loads of no-iron fabrics, such as sport shirts, blouses, casual business clothes, permanent press blends, cottons and linens, and synthetic fabrics. This cycle combines medium-speed tumbling, high-speed spin, and a load cooling process to reduce wrinkling.

Delicate

Use this cycle to wash sheer fabrics and lingerie. This cycle combines low-speed tumbling and low-speed spin for gentle fabric care.

Hand Washables

Use this cycle to clean hand washable and special-care garments. Similar to the way garments are hand washed in a sink, the wash action of this cycle combines periods of low-speed tumbling and soaking. Low-speed spin reduces wrinkling.

Soak

Use the Soak cycle to remove small spots of set-in stains on fabrics. This cycle provides a soak time with warm or cold water followed by drain. Extra water, a short tumbling phase for equal distribution of the laundry, and a soaking time without drum movement, improve the removal of set-in stains. Drain without spin assures gentle treatment, even for delicate articles.

Rinse/Spin

Use this cycle to get a rinse and spin only. This cycle combines fast-speed tumbling and high-speed spin. If desired, you can reduce the spin speed by selecting the speed you want from the SPIN SPEED modifier.

A Rinse/Spin cycle is useful for

- Loads that need rinsing only.
- Adding fabric softener to a load.

Drain/Spin

Use this cycle to drain your washer or to drain and spin your wash load. The spin speed is preset to high. If desired, you can reduce the spin speed by selecting the speed you want from the SPIN SPEED modifier.

NOTE: Loads of synthetics, delicate fabrics, handwashables, and woolens should be drained with no spin or low spin speed to avoid fabric stress.

Preset cycle settings

Each cycle has a preset Soil Level (cycle time), Water Temperature, and Spin Speed. The preset settings provide the recommended fabric care for the selected cycle. See chart.

Cycle	Soil Level (cycle time)	Water Temp	Spin Speed
Whitest Whites	Normal (1:00)	Hot/Cold	High
Heavy Duty	Normal (0:50)	Hot/Cold	High
Normal/Casual	Normal (0:40)	Warm/Cold	High
Delicate	Normal (0:35)	Warm/Cold	Medium
Hand Washables	Normal (0:30)	Cold/Cold	Low
Soak	Normal (0:30)	Warm/Cold	No Spin
Rinse/Spin	Normal (0:21)	Cold/Cold	High
Drain/Spin	Normal (0:11)	N/A	High

To change the preset cycle settings

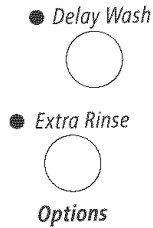
Press the selector of each setting until the desired setting glows.

Normal Washer Sounds

As with any new product, you will hear sounds that you are not accustomed to. You may hear various sounds when the door is locked and unlocked, and during the washing, rinsing, and spinning process. Between changes in wash actions, there will be momentary pauses. You will hear water spraying and splashing during the wash and rinse cycles. These new sounds and pauses are part of normal washer operation.

Options

You can customize your wash by adding “Options” to your cycle selections. You can add or change an option after starting a cycle anytime before the selected option begins. Not all options are available with all cycles.



- See the “Laundry Guide” for an overview of possible options for each Wash Cycle selection.
- You can select more than one option for a cycle. Some options cannot be added to some cycles.
- If an option is available with a selected cycle, the light for that option will glow when selected.
- If an option is unavailable with a selected cycle, there will be a short tone, and the light for that option will not glow when selected.

Delay Wash

Use this to begin the wash cycle later.

- Select Delay Wash until the desired time (in hours) shows in the Estimated Time Remaining display.
- Select START. The countdown to the wash cycle will show in the display window.

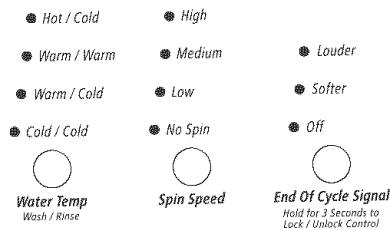
Extra Rinse

An extra rinse can be used to ensure the removal of detergent or bleach residue from garments. This option provides an additional rinse with the same water temperature as the first rinse.

Modifiers

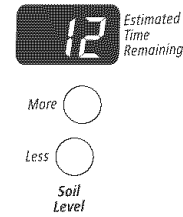
Preset cycle settings of Water Temperature, Spin Speed, and Cycle Time can be changed. You can change a modifier after starting a cycle anytime before the selected modifier begins. Not all modifiers are available with all cycles and options.

NOTE: The panel shown below may be different from that of your model.



- To change the water temperature, select the WATER TEMP button until the desired setting glows.
- To change the spin speed, select the SPIN SPEED button until the desired setting glows.

- To change the loudness of the End of Cycle Signal, select END OF CYCLE SIGNAL.



- To change cycle time, select SOIL LEVEL button.

Wash/Rinse Temp

Select a water temperature based on the type of load you are washing. Use the warmest wash water safe for fabrics. Follow garment label instructions.

Warm rinses leave the loads dryer than cold rinses. Warm rinses increase wrinkling. In cold climates, a warm rinse makes the load more comfortable to handle. Cold rinses save energy.

Temperature Guide

Wash Water Temperature	Suggested Fabrics
HOT	Whites and pastels Heavy soils
WARM	Bright colors Moderate to light soils
COLD	Colors that bleed or fade Light soils

In wash water temperatures colder than 70°F (21°C), detergents do not dissolve well. Soils may be difficult to remove.

ACCUWASH™ Automatic Temperature Control

The ACCUWASH™ control electronically senses and maintains a uniform water temperature. ACCUWASH control regulates incoming hot and cold water. ACCUWASH control is automatically turned On when a cycle is selected. (See “Preset cycle settings” in “Cycles.”)

- ACCUWASH™ control ensures consistent cleaning.
- ACCUWASH™ control works for all wash and rinse temperature settings.

Laundry Guide

Refer to this chart for suggested load types and their corresponding cycles. Listed to the right are the options available to each of these washer cycles.

CYCLE	SUGGESTED LOAD TYPE	DELAY WASH	EXTRA RINSE
Whitest Whites	Soiled white fabrics	✓	✓
Heavy Duty	Heavily soiled underwear, towels, shirts, etc.	✓	✓
Normal/Casual	Normally soiled blouses, shirts, overalls, etc., made of polyester, nylon, cotton, linen, or cotton blends	✓	✓
Delicate	Curtains, delicate clothing, dresses, skirts, shirts, and blouses with “no-iron fabrics,” “Permanent Press,” “Wrinkle Free,” or “Gentle Cycle” on the care label.	✓	✓
Hand Washables	Fabrics made of silk, special-care items marked as “Hand Washable”	✓	✓
Soak	Fabrics made of cotton, linen, polyester or nylon		
Rinse/Spin	Fabrics made of cotton, linen, polyester or nylon	✓	✓
Drain/Spin	Fabrics made of cotton, linen, polyester or nylon		

LAUNDRY TIPS

Preparing clothes for washing

Follow these recommendations to help you prolong the life of your garments.

- Close zippers, snaps, and hooks to avoid snagging other items. Remove pins, buckles, and other hard objects to avoid scratching the washer interior. Remove non-washable trim and ornaments.
- Empty pockets and turn them inside-out.
- Turn down cuffs; brush away lint and dirt.
- Turn synthetic knits inside-out to avoid pilling.
- Tie strings and sashes so they will not tangle.
- Mend tears, loose hems, and seams.
- Treat spots and stains.
- Stained or wet garments should be washed promptly for best results.
- Mix large and small items, avoid washing single items, and load evenly.
- Wash small items, such as infant socks, in mesh garment bags. It is recommended that more than one garment bag be used, and that each garment bag be filled with equal amounts of material.

Sorting

- Separate heavily soiled items from lightly soiled ones, even if they would normally be washed together. Separate lint-givers (towels, chenille) from lint-takers (corduroy, synthetics, permanent press). When possible, turn lint-givers inside-out.
- Separate dark colors from light colors, colorfast items from noncolorfast items.
- Sort by fabric and construction (sturdy cottons, knits, delicate items).

Unloading

- Remove clothes from washer after the cycle is completed. Metal objects such as zippers, snaps, and buckles may rust if left in the washer basket for a long time.
- When unloading garments, occasionally check under the rubber rim at the front of the tub for small items.

Loading

Loading suggestions (maximum size loads).

Heavy Work Clothes

4 jeans	2 sweatpants
4 workpants	2 sweatshirts
4 workshirts	

Towels

10 bath towels	14 washcloths
10 hand towels	

Mixed Load

3 sheets (1 king, 2 twin)	9 T-shirts
4 pillowcases	9 shorts
3 shirts	10 handkerchiefs
3 blouses	

WASHER CARE

Cleaning Your Washer

Cleaning the exterior

Use a soft damp cloth or sponge to wipe up any spills. Occasionally wipe the outside of your washer to keep it looking new. Use mild soap and water. Do not use abrasive products.

Cleaning the interior

Use a soft damp cloth or sponge to occasionally wipe the inner door to remove any detergent residue. Use mild soap and water. Do not use abrasive products.

Cleaning the door seal

Use a soft damp cloth or sponge when necessary. Check the fold of the seal periodically for any foreign objects.

Cleaning the dispenser drawer

The dispenser drawer is removable for easy cleaning.

1. Unlock the dispenser drawer by pressing the Release Lever. See "Using the Dispenser." Remove the drawer.
2. Remove the inserts (the siphon from the softener and bleach compartments and the separator).
3. Wash the parts under running water.
4. Replace the inserts and return the dispenser to the drawer.

Water Inlet Hoses

Replace inlet hoses after five years of use to reduce the risk of hose failure. Periodically inspect and replace inlet hoses if bulges, kinks, cuts, wear or leaks are found.

When replacing your inlet hoses, record the date of replacement.

Vacation, Storage, and Moving Care

Install and store your washer where it will not freeze. Because some water may stay in the hoses, freezing can damage your washer. If storing or moving your washer during freezing weather, winterize it.

Non-use or vacation care:

Operate your washer only when you are at home. If you will be on vacation or not using your washer for an extended period of time, you should:

- Unplug washer or disconnect power.
- Turn off the water supply to the washer. This helps avoid accidental flooding (due to a water pressure surge) while you are away.
- Slightly open door to provide ventilation.

To winterize washer:

1. Put 1 qt (1 L) of R.V.-type antifreeze in the drum.
2. Run washer on a DRAIN/SPIN cycle.
3. Unplug washer or disconnect power.
4. Shut off both water faucets.
5. Disconnect water inlet hoses from faucets and drain.

To use washer again:

1. Flush water pipes.
2. Reconnect water inlet hoses to faucets.
3. Turn on both water faucets.
4. Plug in washer or reconnect power.
5. Run the washer through the NORMAL/CASUAL cycle with $\frac{1}{2}$ the normal recommended amount of HE detergent to clean out antifreeze.

To transport the washer:

1. If washer will be moved during freezing weather, put in 1 qt (1 L) of R.V.-type antifreeze in the drum. Run washer on a DRAIN/SPIN cycle.
2. Unplug the power cord.
3. Disconnect the drain hose from the drain system and attach to rear panel clips.
4. Shut off both water faucets.
5. Disconnect the water inlet hoses from faucets, then drain the hoses and clip them to the rear panel of the washer.
6. **IMPORTANT:** Call service. Do not reuse transport bolts. Unit must be transported in the upright position. To prevent suspension and structural damage, your machine must be properly set up for relocation by a certified technician.

Reinstalling the washer

1. Follow the "Installation Instructions" to locate, level and connect the washer.
2. Run the washer through the NORMAL/CASUAL cycle with $\frac{1}{2}$ the normal recommended amount of HE detergent to clean the washer and remove the antifreeze, if used.

TROUBLESHOOTING

First try the solutions suggested here to possibly avoid the cost of a service call...

Washer displaying code message and tone sounds

- **“FH” (Water Inlet Problem—no or insufficient water supply)** Select PAUSE/CANCEL twice to cancel the cycle. Unplug washer or disconnect power.
Check the following:
Are water faucets completely turned on?
Are screens at inlet hose connection to washer clogged?
Are water inlet hoses kinked?
Are water inlet hoses frozen?
Plug in washer or reconnect power. Re-select cycle and press HOLD TO START. If the problem remains, call for service.
- **“F02” (Drain Problem)**
Select PAUSE/CANCEL twice to cancel the cycle. Unplug washer or disconnect power.
Check the following:
Is the drain hose kinked?
Is the drain hose frozen?
Is the drain hose clogged?
Is the drain hose more than 96" (2.4 m) above the floor?

- **“SUD” (Suds Routine)**
When excessive suds are detected, a suds routine automatically starts. This routine removes extra suds and assures proper rinsing of your garments. "SUD" is displayed during rinsing and at the end of the cycle to inform you that Suds Routine was activated. To avoid excessive sudsing, reduce HE detergent amounts.
 - **“F” Variables [F4 to F16] (Electrical Problem)**
Select PAUSE/CANCEL twice to cancel the cycle. Select DRAIN/SPIN if there is excessive water in the washer.
Re-select cycle and select HOLD TO START. If the problem remains, call for service.
-
-

Washer won't start

- **Check the following:**
Is the power cord plugged into a grounded 3 prong outlet?
Is the washer door firmly closed?
Has a cycle been selected, but HOLD TO START has not been selected and held for one second?
Was the door open after completion of last cycle?
-
-

Washer won't fill, wash or rinse

- **Check the following:**
Is the power cord plugged into a grounded 3 prong outlet?
Is there power at the plug? Check electrical source or call electrician.
Are the hot and cold water faucets turned on?
Is the water inlet hose kinked?
Are the water inlet valve screens clogged?
-
-

Washer stops

- **Check the following:**
Is the power cord plugged into a grounded 3 prong outlet?
Is there power at the plug?
Check electrical source or call electrician.
Has a fuse blown, or has the circuit breaker tripped?
If problem continues, call electrician.
Are you using an extension cord?
Do not use an extension cord.
-
-

Washer won't drain or spin

- **Is the drain hose clogged, or the end of the drain hose more than 96" (2.4 m) above the floor?**
 - **Is your voltage low?**
Check electrical source or call electrician. Do not use an extension cord.
 - **Is the “SUD” routine active?**
Cycle will complete once extra suds are removed.
 - **Is the load balanced?**
A single or bulky item may cause imbalance. Add more items or redistribute the load.
-
-

Washer makes noise or vibrates

- **Is the washer level?**
The washer must be level. The four feet should be properly installed, and the nuts should be tightened against the washer cabinet.
As water is drained from the washer, you may hear air being pulled through the pump. This happens during the end of draining. It is normal.
 - **Are you washing items with metal snaps, buckles or zippers?**
You may hear metal items touching the washer drum. This is normal.
 - **Is washer installed on a sturdy and solid floor?**
Refer to the “Installation Instructions” for flooring requirements. Noise and vibration may be reduced by placing a piece of ¾" (19.1 mm) plywood underneath your washer. The plywood may extend underneath both washer and dryer to keep them at equal heights.
-
-

Washer leaks

- **Check household plumbing for leaks.**
-
-

Dispensers clogged or leaking

- **Are the laundry products in the correct dispenser compartment?**
Add the correct amounts of HE detergent, fabric softener or liquid chlorine bleach to the correct compartments. Add powdered or liquid color-safe bleach to the detergent compartment. Be sure to match powdered color-safe bleach with powdered detergent or match liquid color-safe bleach with liquid detergent.
- **Is the detergent separator in the correct position?**
Separator should be in the front position when using liquid detergent and in the back position when using powdered detergent.

Load too wet

- **Did you use the right cycle for the load being washed?**
Select a cycle with a higher spin speed.
- **Did you wash a single item or bulky items or have you overloaded the washer?**
A single item, bulky items, or overloading may cause imbalance. Add items or try to evenly distribute your wet laundry in the drum, and start a DRAIN/SPIN cycle. If the laundry is still wet, take half of the load out of the washer and try again.

Residue or lint on load

- **Did you add detergent to the dispenser?**
For best results, add detergent to the detergent compartment. Do not add detergent to the washer drum.
- **Did you sort properly?**
Sort lint givers (towels, chenille) from lint takers (corduroy, synthetics). Also, sort by color.
- **Did you overload the washer?**
Do not overload the washer. The washer can be fully loaded, but not tightly packed. The wash load must be balanced. Lint can be trapped in the load if overloaded.
- **Check the following:**
Was paper or tissue left in pockets?
- **Did you use enough detergent?**
Follow manufacturer's directions. Use enough detergent to hold the lint in the water.
- **Is your water colder than 70°F (21°C)?**
Wash water colder than 70°F (21°C) may not completely dissolve the detergent.
- **Are you using a low speed wash cycle?**
Powdered detergents may not dissolve well in a slow-speed cycle. For best results, use liquid detergent for slow-speed cycles such as Delicate and Hand Washables.

Stains on load

- **Did you add detergent to the dispenser?**
For best results, add detergent to the detergent compartment. Do not add detergent to the washer drum.
- **Did you use enough detergent?**
Use enough detergent to remove soil and hold it in suspension. For best performance, use a High Efficiency detergent. Follow manufacturer's recommendations for the type of load you are washing.

- **Is there above average iron (rust) in water?**
You may need to install an iron filter.
- **Did you properly sort the load?**
Sort dark clothes from whites and lights.
- **Did you unload the washer promptly?**
To avoid dye transfer, unload the washer as soon as it stops.
- **Did you use a fabric softener dispensing ball?**
Dispensing balls will not operate correctly with this washer. Add liquid fabric softener to the fabric softener compartment.
- **Did you use powdered detergent in a low-speed cycle?**
Consider using liquid detergent.

Load is wrinkled

- **Did you unload the washer promptly?**
Unload the washer as soon as it stops.
- **Did you use the right cycle for the load being washed?**
Use the Delicate cycle or another cycle with a low spin speed to reduce wrinkling.
- **Did you overload the washer?**
The wash load must be balanced and not overloaded. Loads should tumble freely during washing.

Gray whites, dingy colors

- **Did you properly sort the load?**
Dye transfer can occur when mixing whites and colors in a load. Sort dark clothes from whites and lights.
- **Was the wash temperature too low?**
Use hot or warm washes if safe for the load. Make sure your hot water system is adequate to provide a hot water wash.
- **Did you use enough detergent, or do you have hard water?**
Use more detergent for washing heavy soils in cold or hard water.

Cycle too long

- **Is "SUD" shown in the display?**
Excessive sudsing has been detected, and a suds routine has been started to reduce excessive suds. This routine will add time to the original cycle.
- **Did the load cause imbalance?**
When too much imbalance occurs, an imbalance routine will start to redistribute the load. During the imbalance routine the time displayed may pause until this activity is complete, then resume with the remainder of the cycle.
- **Did you wash a large load using a gentle cycle?**
When using the Hand Washables or Delicate cycles, use small loads. This ensures a gentle wash for your garments without increasing cycle times.

Door locked at end of wash cycle

- **Did all of the water drain out of the washer during the spin?**
Select DRAIN/SPIN to remove any water remaining in the washer. The washer door will unlock at the end of the drain.

ASSISTANCE OR SERVICE

Before calling for assistance or service, please check "Troubleshooting." It may save you the cost of a service call. If you still need help, follow the instructions below.

When calling, please know the purchase date and the complete model and serial number of your appliance. This information will help us to better respond to your request.

If you need replacement parts

If you need to order replacement parts, we recommend that you only use FSP® factory specified parts. These parts will fit right and work right because they are made with the same precision used to build every new WHIRLPOOL® appliance.

To locate FSP replacement parts in your area:

In the U.S.A., call the Customer Interaction Center at **1-800-253-1301**, or your nearest designated service center.

In Canada, call **1-800-807-6777**, or your nearest designated service center.

In the U.S.A.

Call the Whirlpool Customer Interaction Center toll free: **1-800-253-1301**.

Our consultants provide assistance with:

- Features and specifications on our full line of appliances
- Installation information
- Use and maintenance procedures
- Accessory and repair parts sales
- Specialized customer assistance (Spanish speaking, hearing impaired, limited vision, etc.)
- Referrals to local dealers, repair parts distributors, and service companies

Whirlpool designated service technicians are trained to fulfill the product warranty and provide after-warranty service anywhere in the United States.

To locate the Whirlpool designated service company in your area, you can also look in your telephone directory Yellow Pages.

For further assistance

If you need further assistance, you can write to Whirlpool Corporation with any questions or concerns at:

Whirlpool Brand Home Appliances
Customer Interaction Center
553 Benson Road
Benton Harbor, MI 49022-2692

Please include a daytime phone number in your correspondence.

In Canada

Call the Whirlpool Canada Inc. Customer Interaction Center toll free:

1-800-461-5681 Monday to Friday 8:00 a.m. - 6:00 p.m. (EST).
Saturday 8:30 a.m. - 4:30 p.m. (EST).

Our consultants provide assistance with:

- Features and specifications on our full line of appliances
- Referrals to local dealers

For service in Canada

Call **1-800-807-6777**. Whirlpool Canada Inc. designated service technicians are trained to fulfill the product warranty and provide after-warranty service anywhere in Canada.

For further assistance

If you need further assistance, you can write to Whirlpool Canada Inc. with any questions or concerns at:

Customer Interaction Center
Whirlpool Canada Inc.
1901 Minnesota Court
Mississauga, Ontario L5N 3A7

Please include a daytime phone number in your correspondence.

WHIRLPOOL® WASHER WARRANTY

ONE-YEAR FULL WARRANTY

For one year from the date of purchase, when this washer is operated and maintained according to instructions attached to or furnished with the product, Whirlpool Corporation will pay for FSP® replacement parts and repair labor costs to correct defects in materials or workmanship. Service must be provided by a Whirlpool designated service company.

SECOND YEAR LIMITED WARRANTY ON ALL ELECTRONIC CONTROL BOARDS

For the second year from the date of purchase, when this washer is operated and maintained according to instructions attached to or furnished with the product, Whirlpool Corporation will pay for FSP® replacement parts for all electronic control boards.

SECOND THROUGH FIFTH YEAR LIMITED WARRANTY ON PORCELAIN OR POWDER TOP, DRIVE SYSTEM BELT AND PULLEYS

In the second through fifth years from the date of purchase, when this washer is operated and maintained according to instructions attached to or furnished with the product, Whirlpool Corporation will pay for FSP® replacement parts for the following, if defective in materials or workmanship: porcelain or powder top (against chipping and rust); drive system belt and pulleys.

SECOND THROUGH TENTH YEAR LIMITED WARRANTY ON OUTER TUB

In the second through tenth years from the date of purchase, when this washer is operated and maintained according to instructions attached to or furnished with the product, Whirlpool Corporation will pay for FSP® replacement parts for the outer tub should it crack or fail to contain water, if defective in materials or workmanship.

LIFETIME LIMITED WARRANTY ON STAINLESS STEEL WASH DRUM

For the lifetime of the washer, when this washer is operated and maintained according to instructions attached to or furnished with the product, Whirlpool Corporation will pay for FSP® replacement parts for the Stainless Steel wash drum if defective in materials or workmanship.

Whirlpool Corporation will not pay for:

1. Service calls to correct the installation of your washer, to instruct you how to use your washer, or to replace house fuses or correct house wiring or plumbing.
 2. Repairs when your washer is used in other than normal, single-family household use.
 3. Damage resulting from accident, alteration, misuse, abuse, fire, flood, acts of God, improper installation, installation not in accordance with local electrical and plumbing codes, or use of products not approved by Whirlpool Corporation or Whirlpool Canada Inc.
 4. Any labor costs during the limited warranty periods.
 5. Replacement parts or repair labor costs for units operated outside the United States and Canada.
 6. Pickup and delivery. This product is designed to be repaired in the home.
 7. Repairs to parts or systems resulting from unauthorized modifications made to the appliance.
 8. In Canada, travel or transportation expenses for customers who reside in remote areas.
-

WHIRLPOOL CORPORATION AND WHIRLPOOL CANADA INC. SHALL NOT BE LIABLE FOR INCIDENTAL OR CONSEQUENTIAL DAMAGES.

Some states and provinces do not allow the exclusion or limitation of incidental or consequential damages, so this exclusion or limitation may not apply to you. This warranty gives you specific legal rights and you may also have other rights which vary from state to state or province to province.

Outside the 50 United States and Canada, this warranty does not apply. Contact your authorized Whirlpool dealer to determine if another warranty applies.

If you need service, first see "Troubleshooting." Additional help can be found by checking "Assistance or Service," or call our Customer Interaction Center at **1-800-253-1301** from anywhere in the U.S.A. or write: Whirlpool Corporation, Customer Interaction Center, 553 Benson Road, Benton Harbor, MI 49022-2692. In Canada, call Whirlpool Canada Inc. at **1-800-807-6777**. 5/01

Keep this book and your sales slip together for future reference. You must provide proof of purchase or installation date for in-warranty service.

Write down the following information about your washer to better help you obtain assistance or service if you ever need it. You will need to know your complete model number and serial number. You can find this information on the model and serial number label/plate, located on your appliance.

Dealer name _____
Address _____
Phone number _____
Model number _____
Serial number _____
Purchase date _____

Notes

SEGURIDAD DE LA LAVADORA

Su seguridad y la seguridad de los demás es muy importante.

Hemos incluido muchos mensajes importantes de seguridad en este manual y en su electrodoméstico. Lea y obedezca siempre todos los mensajes de seguridad.



Este es el símbolo de advertencia de seguridad.

Este símbolo le llama la atención sobre peligros potenciales que pueden ocasionar la muerte o una lesión a usted y a los demás.

Todos los mensajes de seguridad irán a continuación del símbolo de advertencia de seguridad y de la palabra "PELIGRO" o "ADVERTENCIA". Estas palabras significan:

⚠ PELIGRO

Si no sigue las instrucciones de inmediato, usted puede morir o sufrir una lesión grave.

⚠ ADVERTENCIA

Si no sigue las instrucciones, usted puede morir o sufrir una lesión grave.

Todos los mensajes de seguridad le dirán el peligro potencial, le dirán cómo reducir las posibilidades de sufrir una lesión y lo que puede suceder si no se siguen las instrucciones.

INSTRUCCIONES IMPORTANTES DE SEGURIDAD

ADVERTENCIA: Para reducir el riesgo de incendio, choque eléctrico o lesiones a personas al usar su lavadora, siga las precauciones básicas, incluyendo las siguientes:

- Lea todas las instrucciones antes de usar la lavadora.
- No lave artículos que hayan sido previamente limpiados, lavados, remojados o humedecidos con gasolina, solventes para lavar en seco, u otras sustancias inflamables o explosivas ya que éstas emanan vapores que podrían encenderse o causar una explosión.
- No agregue gasolina, solventes para lavar en seco, u otras sustancias inflamables o explosivas al agua de lavado. Estas sustancias emanan vapores que podrían encenderse o causar una explosión.
- En ciertas condiciones, puede generarse gas hidrógeno en un sistema de agua caliente que no se haya usado por dos semanas o un período mayor. EL GAS HIDRÓGENO ES EXPLOSIVO. Si no se ha usado el agua caliente durante dicho período, antes de usar la lavadora, abra todos los grifos de agua caliente y deje que corra el agua por varios minutos. Esto liberará todo el gas hidrógeno que se haya acumulado. Debido a la inflamabilidad de dicho gas, no fume ni use una llama abierta durante este lapso.
- No permita que los niños jueguen encima o dentro de la lavadora. Es necesario una supervisión cuidadosa de los niños toda vez que se use la lavadora cerca de ellos.
- Antes de poner la lavadora fuera de servicio o desecharla, quítele la puerta o la tapa.
- No introduzca las manos en la lavadora si el tambor, la tina, o el agitador están funcionando.
- No instale ni almacene esta lavadora donde pudiese estar sometida a la intemperie.
- No trate de forzar los controles.
- No repare ni cambie pieza alguna de la lavadora ni intente realizar tarea alguna de servicio técnico, excepto cuando así se le indique específicamente en este manual o en instrucciones de reparación para el usuario publicadas, que usted entienda y para cuya ejecución cuente con la habilidad necesaria.
- Para obtener información respecto a los requisitos de conexión a tierra, refiérase a los "Requisitos Eléctricos".

GUARDE ESTAS INSTRUCCIONES

REQUISITOS DE LA INSTALACIÓN

Herramientas y piezas

Antes de comenzar la instalación de la lavadora, reúna todas las herramientas y accesorios necesarios. Las piezas provistas con la lavadora están en el tambor de la lavadora.

Herramientas necesarias para la conexión de las mangueras de entrada del agua

- Alicates (que se abran a 1 $\frac{1}{16}$ " [39,5 mm])
- Linterna (opcional)

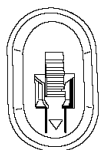
Herramientas necesarias para la instalación

- Llave de boca de 17 mm y 13 mm
- Nivel
- Bloque de madera
- Regla o cinta de medir

Piezas proporcionadas:



Fleje rebordeado



Tapón de cuatro pernos de transporte (4)

Piezas alternativas

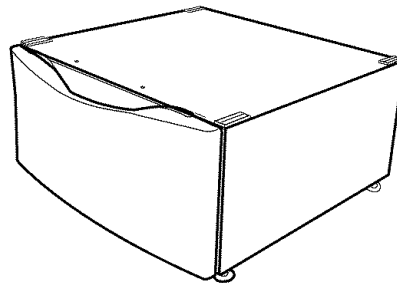
Su instalación puede requerir partes adicionales. Si está interesado en adquirir uno de los artículos mencionados aquí, por favor llame al número gratuito que se encuentra en la portada o en la sección "Asistencia o Servicio".

Si tiene	Necesitará adquirir
Un lavadero o tubo vertical a una altura mayor de 96" (2,4 m)	Sistema de bomba de sumidero (si ya no está disponible)
Una alcantarilla suspendida	Un tanque de desagüe normal o un lavabo de uso general de 20 gal. (76 L) de capacidad y 30" (76,2 cm) de altura y una bomba de sumidero (en venta en establecimientos de fontanería locales)
Un desagüe por el piso	Desviación del sifón, repuesto No. 285834; manguera de desagüe adicional, repuesto No. 8318155; y juego de conectores, repuesto No. 285835.
Una manguera muy corta	Juego de extensión para manguera de desagüe de 4 pies (1,2 m), repuesto No. 285863.
Grifos del agua fuera del alcance de las mangueras de llenado	2 mangueras de llenado del agua más largas; 6 pies (1,8 m) repuesto No. 76314, 10 pies (3,0 m) repuesto No. 350008

Opciones

Pedestal

Usted tiene la opción de comprar un pedestal por separado para esta lavadora. Este pedestal le agregará alrededor de 13" (33 cm) a la altura de la unidad, para llegar a una altura total aproximada de 51" (130 cm).



Pedestal opcional

Para encargar, llame al distribuidor en donde compró la lavadora o consulte la sección "Ayuda o servicio técnico" de este manual.

Pedestales de 13" (33 cm)

Color	Número de parte
Blanco	LAB2700MQ
Bisque	LAB2700MT
Peltre	LAB2700ML

Juego para apilar

¿Está usted planeando apilar la lavadora y la secadora? Para hacer eso, necesitará comprar un juego para apilar.

Para encargar, llame al distribuidor en donde compró la secadora o consulte a la sección "Ayuda o servicio técnico" de este manual. Pida la pieza número 8541503.

Requisitos para la ubicación

La selección de una ubicación apropiada para su lavadora realza el rendimiento y reduce al mínimo el ruido y la posible "caminata" de la lavadora.

La instalación de su lavadora puede ser debajo de un mostrador hecho a la medida, en un sótano, en un cuarto de lavandería, en un clóset o en una zona empotrada. Vea "Sistema de desagüe".

Deberá tenerse en cuenta también los requisitos para la ubicación de otro electrodoméstico acompañante. La instalación correcta es responsabilidad suya.

Usted necesitará

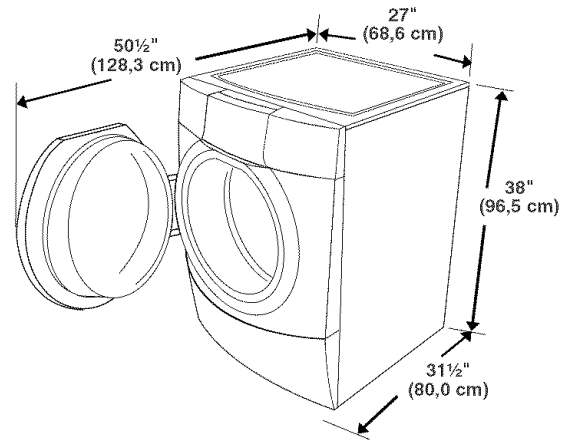
- Un calentador de agua fijado para suministrar a la lavadora el agua a 120°F (49°C).
- Un contacto eléctrico con conexión a tierra ubicado a una distancia de 6 pies (1,8 m) del lugar donde el cable eléctrico está fijado a la parte posterior de la lavadora. Vea "Requisitos eléctricos".
- Los grifos de agua caliente y de agua fría ubicados a una distancia de 4 pies (1,2 m) de las válvulas de llenado del agua caliente y fría y una presión de agua de 20-100 psi (137,9 – 689,6 kPa).
- Un piso nivelado con un declive máximo de 1" (2,5 cm) debajo de la lavadora. No se recomienda instalar la lavadora sobre pisos alfombrados o superficies con reverso de espuma.
- Un piso resistente y firme que soporte la lavadora con un peso total (del agua y de la carga) de 400 libras (180 kg).

No ponga a funcionar su lavadora a temperaturas inferiores a 32°F (0°C). Puede quedar algo de agua en la lavadora y podría ocasionar daños a bajas temperaturas.

Espacios libres para la instalación

- La ubicación debe ser lo suficientemente grande para permitir que la puerta abra completamente.
- Se debe considerar espacio adicional para facilitar la instalación y el servicio.
- Es posible que se requieran espacios libres adicionales para moldes de pared, puerta y piso.
- Se recomienda un espacio libre adicional de 1" (2,5 cm) en todos los lados de la lavadora para reducir la transferencia de ruidos.
- También se debe considerar un espacio para un electrodoméstico compañero.

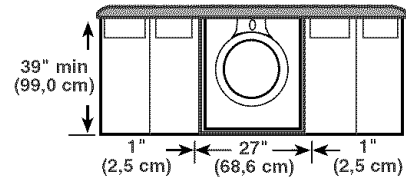
Dimensiones de la lavadora



Recomendaciones de espacios de instalación para instalación debajo del mostrador hecho a la medida

Las dimensiones que se muestran son para los espacios recomendados.

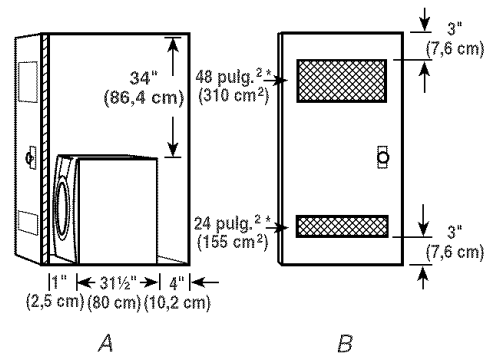
Instalación debajo del mostrador hecho a la medida - Lavadora solamente



Recomendaciones de espacios de instalación para instalación empotrada o en el armario, con o sin pedestal

Las dimensiones que se muestran son para los espacios recomendados.

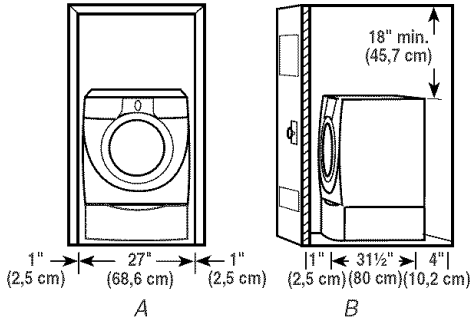
Instalación en el área empotrada o en el armario



A. Vista lateral - clóset o lugar confinado

B. Puerta de clóset con orificios de ventilación

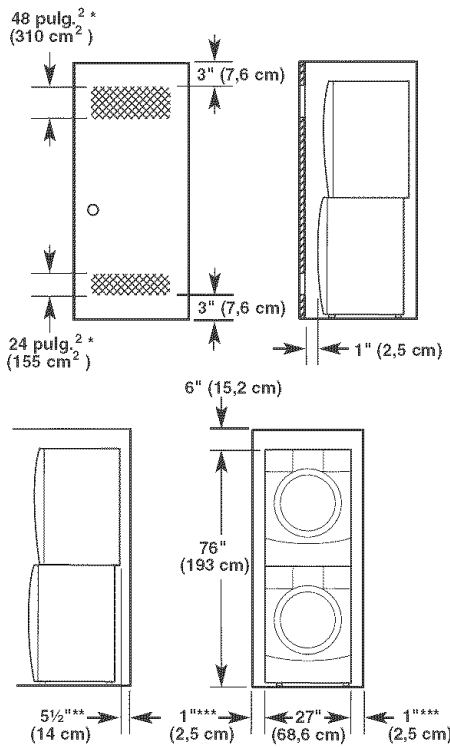
Instalación empotrada o en el armario – Lavadora sobre pedestal



A. Lugar empotrado
B. Vista lateral - clóset o lugar confinado

Recomendaciones de espacios de instalación para instalación empotrada o en el armario, con lavadora y secadora apiladas

Las dimensiones que se muestran son para los espacios recomendados.



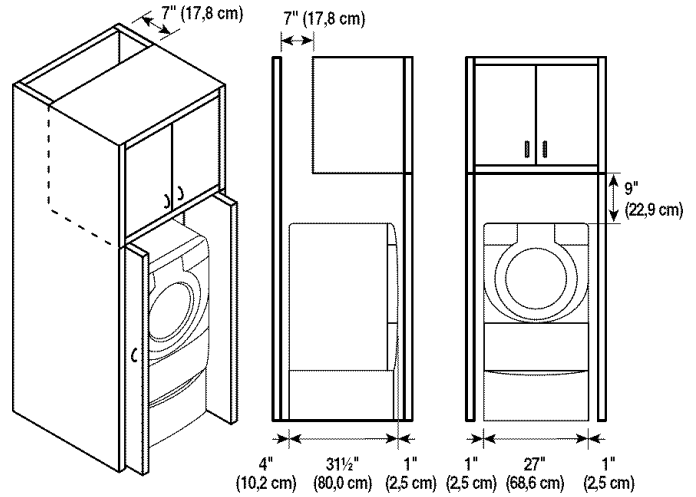
*Aberturas superior e inferior de aire mínimas para la puerta del armario

**El codo de escape externo requiere espacio adicional.

***Los moldes de pared, puerta y piso pueden requerir espacio adicional.

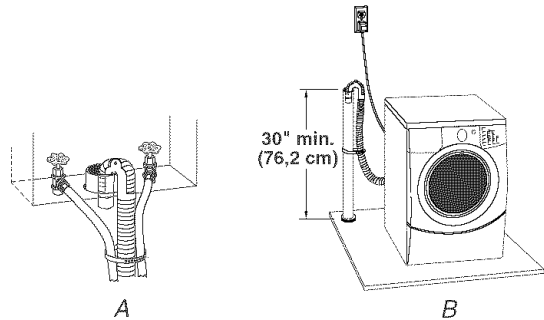
Recomendaciones de espacios de instalación para la instalación en el gabinete

- Las dimensiones que se muestran son para los espacios recomendados.
- Para la instalación en el gabinete con puerta, se requieren las aberturas de ventilación mínimas en la parte superior.



Sistema de desagüe

Se puede instalar la lavadora utilizando el sistema de desagüe por tubo vertical (en el piso o en la pared), el sistema de desagüe por el lavadero, o el sistema de desagüe por el piso. Seleccione el método de instalación de la manguera de desagüe que usted necesite. Vea "Herramientas y piezas".

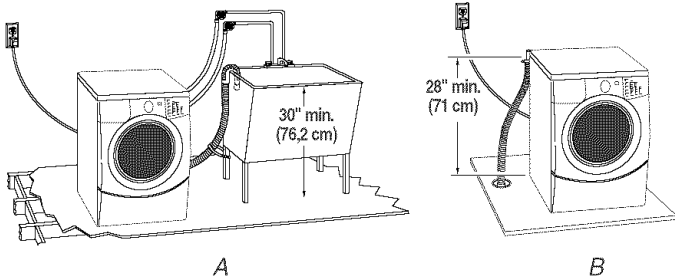


Sistema de desagüe por tubo vertical – en la pared o en el piso (vistas A y B)

El desagüe por tubo vertical necesita un tubo vertical con un diámetro mínimo de 2" (5 cm). La capacidad mínima de desagüe no puede ser menor de 17 gal (64 L) por minuto.

La parte superior del tubo vertical debe estar a una altura mínima de 30" (76,2 cm) y máxima de 96" (2,4 m) de la parte inferior de la lavadora.





Sistema de desagüe por el lavadero (vista A)

El lavadero necesita una capacidad mínima de 20 gal. (76 L). La parte superior del lavadero debe estar a una altura mínima de 30" (76,2 cm) del piso.

Sistema de desagüe por el piso (vista B)

El sistema de desagüe por el piso necesita una desviación del sifón que puede adquirirse por separado. Vea "Herramientas y piezas".

La desviación del sifón debe estar a una distancia mínima de 28" (71 cm) de la parte inferior de la lavadora. Quizás necesite mangueras adicionales.

Requisitos eléctricos

⚠ ADVERTENCIA



Peligro de Choque Eléctrico

Conecte a un contacto de pared de conexión a tierra de 3 terminales.

No quite el terminal de conexión a tierra.

No use un adaptador.

No use un cable eléctrico de extensión.

No seguir estas instrucciones puede ocasionar la muerte, incendio o choque eléctrico.

- Se necesita un suministro eléctrico de 120 voltios, 60 hertzios, CA solamente, de 15 ó 20 amperios y protegido con fusibles. Se aconseja el uso de un fusible retardador o cortacircuitos. Asimismo se recomienda el empleo de un circuito separado sólo para este electrodoméstico.
- Esta lavadora viene equipada con un cable eléctrico dotado de un enchufe con tres terminales y conexión a tierra.
- Para reducir el peligro de posibles choques eléctricos, el cable debe conectarse en un contacto que tenga 3 terminales y conexión a tierra de conformidad con los códigos y ordenanzas locales. Si no dispone del contacto apropiado, es obligación y responsabilidad del cliente contratar a un electricista competente para que instale el contacto debido con conexión a tierra.

- Si los códigos lo permiten y se utiliza un cable a tierra separado, se recomienda verificar con un electricista competente si el circuito de conexión a tierra es el adecuado.
- No derive la conexión a tierra hacia una tubería de gas.
- Si no está seguro de que la conexión a tierra de la lavadora sea la adecuada, verifíquela con un electricista competente.
- No coloque un fusible en el circuito neutro o de conexión a tierra.

INSTRUCCIONES PARA LA CONEXIÓN A TIERRA

Para una lavadora conectada a tierra con cable eléctrico:

Esta lavadora debe conectarse a tierra. En caso de funcionamiento defectuoso o avería, la conexión a tierra reducirá el riesgo de choque eléctrico al proporcionar una vía de menor resistencia para la corriente eléctrica. Esta lavadora viene equipada con un cable eléctrico que tiene un conductor de conexión a tierra del equipo y un enchufe con conexión a tierra. El enchufe debe conectarse en un contacto de pared apropiado que haya sido debidamente instalado y conectado a tierra de conformidad con todos los códigos y ordenanzas locales.

ADVERTENCIA: La conexión incorrecta del conductor de conexión a tierra del equipo puede ocasionar un riesgo de choque eléctrico. Consulte con un electricista o técnico en reparaciones calificado si tiene duda alguna en cuanto a la conexión a tierra correcta del electrodoméstico.

No modifique el enchufe provisto con el electrodoméstico. Si éste no encaja en el contacto de pared, pida a un electricista calificado que le instale un contacto de pared apropiado.

Para una lavadora con contacto eléctrico permanente:

Esta lavadora debe conectarse a un sistema de metal con cableado permanente, o se debe tender un conductor de conexión a tierra del equipo con los conductores del circuito y conectarlos al terminal de conexión a tierra del equipo o conductor de suministro en el electrodoméstico.

INSTRUCCIONES DE INSTALACIÓN

Eliminación del sistema de transporte

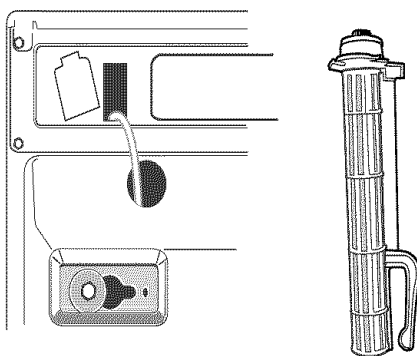
⚠ ADVERTENCIA

Peligro de Peso Excesivo

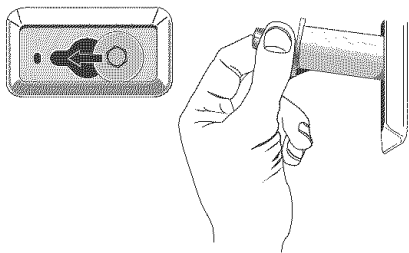
Use dos o más personas para mover e instalar la lavadora.

No seguir esta instrucción puede ocasionar una lesión en la espalda u otro tipo de lesiones.

IMPORTANTE: Coloque la lavadora de modo que la parte posterior del aparato esté aproximadamente a 3 pies (90 cm) de distancia de su ubicación final. Hay 4 pernos en el panel posterior de la lavadora, los cuales sostienen el sistema de suspensión durante el transporte. Estos pernos también retienen el cable de suministro de energía dentro de la lavadora hasta que se quiten los pernos.



1. Utilice una llave de tuercas de 13 mm para aflojar cada uno de los pernos.
2. Una vez que el perno esté flojo, muévelo hacia el centro del agujero y jálelo hacia fuera por completo, incluyendo el espaciador de plástico que cubre el perno.



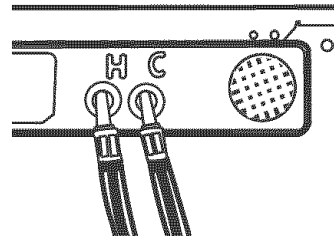
3. Una vez que se hayan quitado los 4 pernos, descarte los pernos y los espaciadores. Luego retire el cable de suministro de energía por la abertura del panel trasero y cierre el orificio con la tapa adjunta.
4. Cierre los orificios del perno con los 4 tapones para orificios de pernos de transporte.

NOTA: Llame a su centro de servicio más cercano si la lavadora se va a transportar unos días más tarde. Para prevenir daños estructurales y de suspensión, su máquina debe estar debidamente preparada para ser nuevamente ubicada por un técnico certificado.

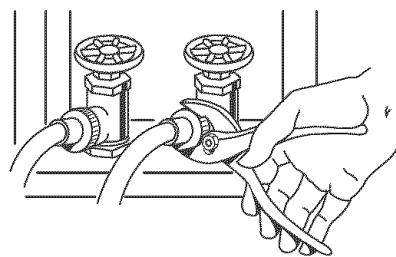
Conexión de las mangueras de entrada

Asegúrese de que el tambor de la lavadora esté vacío.

1. Conecte la manguera con el indicador rojo a la válvula de entrada Caliente (izquierda). El conectar el acoplamiento rojo primero facilita el ajuste de la conexión con los alicates. Atornille el acoplamiento con la mano hasta que se asiente en la arandela.
2. Conecte la manguera con el indicador azul a la válvula de entrada del agua Fría (derecha). Atornille el acoplamiento con la mano hasta que se asiente en la arandela.



3. Usando los alicates, fíjese cuánto están apretados los acoplamientos de la manguera que ya están sujetos a la lavadora.
NOTA: No los apriete demasiado. Se pueden dañar los acoplamientos.
4. Conecte la manguera que tiene el indicador de color rojo con el grifo del agua caliente. Atornille el acoplamiento con la mano hasta que quede asentado en la arandela.
5. Conecte la manguera que tiene el indicador de color azul al grifo del agua fría. Atornille el acoplamiento con la mano hasta que quede asentado en la arandela.
6. Usando los alicates, apriete los acoplamientos dos tercios de vuelta adicional.



NOTA: No los apriete demasiado. Se pueden dañar los acoplamientos.

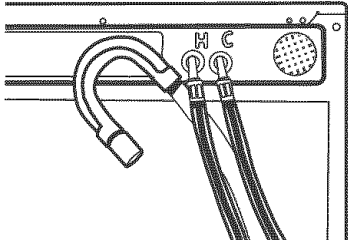
7. Abra los grifos del agua y revise si hay fugas de agua.
NOTA: Reemplace las mangueras de entrada después de 5 años de uso para reducir el riesgo de que fallen. Para consulta en el futuro, anote en las mangueras la fecha de instalación o la fecha de reposición de las mismas.

Inspeccione periódicamente y reemplace las mangueras si aparecen bultos, torceduras, cortaduras, desgaste o fugas de agua.

Tendido de la manguera de desagüe

El tendido apropiado de la manguera de desagüe protege sus pisos contra daños ocasionados por fugas de agua. Lea y siga estas instrucciones con cuidado.

La manguera de desagüe está conectada a su lavadora.



Para evitar que el agua de desagüe vuelva a la lavadora:

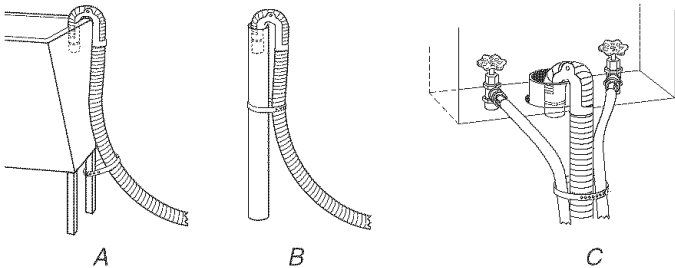
- No enderece la manguera de desagüe, y no fuerce el exceso de la manguera de desagüe dentro del tubo vertical. La manguera debe quedar asegurada pero lo suficientemente floja que permita un espacio para el aire.
- No tienda el exceso de la manguera en el fondo del lavadero.

Desagüe por el piso

Quizás necesite piezas adicionales. Vea desagüe por el piso en la sección "Herramientas y piezas".

Fijación de la manguera de desagüe

1. Coloque el cable eléctrico encima de la lavadora.
2. Asegure la manguera de desagüe a la pata del lavadero o al tubo vertical utilizando el fleje rebordeado que viene con la lavadora. (Vea las ilustraciones A y B.)



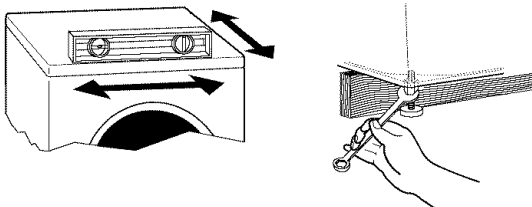
Si los grifos de la lavadora y el tubo vertical de desagüe están empotrados (vea la ilustración C), ponga el extremo en forma de gancho de la manguera de desagüe en el tubo vertical. Enrolle el fleje rebordeado con firmeza alrededor de las mangueras de entrada del agua y de la manguera de desagüe.

No fuerce el exceso de la manguera de desagüe dentro del tubo vertical.

Nivelación de la lavadora

La nivelación apropiada de su lavadora evita el ruido excesivo y la vibración.

1. Revise si la lavadora está nivelada colocando un nivel en el borde superior de la lavadora, primero de lado a lado, luego de frente hacia atrás.



Si la lavadora está contra la pared, mueva la lavadora ligeramente hacia fuera antes de inclinarla hacia atrás. Si la lavadora no está nivelada, primero apuntale la parte frontal con un bloque de madera y regule las patas según sea necesario; después puntale la parte de atrás y regule las patas según sea necesario. Repita este paso hasta que la lavadora quede nivelada.

2. Asegúrese de que las cuatro patas estén estables y descansando sobre el suelo. Después verifique que el aparato esté perfectamente nivelado (use un nivel).
3. Una vez que la lavadora esté nivelada, use una llave de boca de 17 mm para apretar las tuercas de las patas contra el gabinete de la lavadora.
IMPORTANTE: Se deben ajustar las cuatro patas. Si no se aprietan las tuercas contra el gabinete de la lavadora, la lavadora podría vibrar.
4. La lavadora no deberá moverse del frente hacia atrás, de lado a lado o diagonalmente cuando se la empuje sobre sus bordes superiores.
5. Deslice la lavadora a su ubicación final.
6. Verifique el grado de nivelación de la lavadora.

Complete la instalación

1. Revise los requisitos eléctricos. Asegúrese de contar con la fuente de electricidad correcta y el método recomendado de conexión a tierra. Vea "Requisitos eléctricos".
2. Cerciórese de que todas las piezas estén instaladas. Si hay alguna pieza extra, vuelva a revisar todos los pasos para ver cuál se omitió.
3. Cerciórese de tener todas las herramientas necesarias.
4. Deshágase o recicle todos los materiales de embalaje.
5. Cerciórese de que los grifos del agua estén abiertos.
6. Revise si hay fugas de agua alrededor de los grifos y las mangueras de entrada.

⚠ ADVERTENCIA



Peligro de Choque Eléctrico

- Conecte a un contacto de pared de conexión a tierra de 3 terminales.
- No quite el terminal de conexión a tierra.
- No use un adaptador.
- No use un cable eléctrico de extensión.
- No seguir estas instrucciones puede ocasionar la muerte, incendio o choque eléctrico.

7. Conecte a un contacto de pared de conexión a tierra de 3 terminales.
8. Lea "Uso de la lavadora".
9. Para probar y limpiar su lavadora, mida $\frac{1}{2}$ de la cantidad normal recomendada de detergente de alto rendimiento (HE) en polvo o líquido. Vierta el detergente en el depósito del detergente. Seleccione Normal/Informal (NORMAL/CASUAL) y luego seleccione Sostenga para poner en marcha (HOLD TO START). Deje que la lavadora funcione durante un ciclo completo.

CARACTERÍSTICAS Y VENTAJAS

Controles electrónicos

Los controles electrónicos flexibles son fáciles de usar tanto sea usted principiante o experto.

Depósitos inteligentes

Los Smart Dispensers (Depósitos inteligentes) realzan la calidad automática de su lavadora. Esta lavadora proporciona un depósito de tres compartimientos, el cual incluye compartimientos separados para el detergente, suavizante de telas, y blanqueador líquido con cloro. El depósito tiene cuatro zonas grandes para el vertido; es de limpieza automática y se puede quitar con facilidad. Los productos de lavandería se diluyen con el agua y se incorporan a la carga de ropa en el momento oportuno del ciclo de lavado.

Nivel automático del agua

Esta lavadora regula automáticamente el nivel del agua para lograr un rendimiento óptimo de limpieza y enjuague. Dos sensores determinan el tamaño de la carga, la composición de la carga y el nivel de espuma, luego los sensores regulan el nivel del agua al ajuste apropiado. De este modo se evita hacerlo al cálculo. El nivel del agua es el apropiado para cada tamaño de carga de lavado.

Cargas más voluminosas

Debido a que no tiene agitador, usted puede lavar artículos más voluminosos y más grandes como bolsas de dormir. También puede lavar más ropa a la vez, lo que significa menor cantidad de lavados. Usted puede lavar una almohada o un oso de peluche grande.

Sistema de suspensión

Para reducir los problemas de la “caminata” y el “desequilibrio” de la lavadora, su nueva lavadora cuenta con:

- 2 resortes para aislar la vibración
- 4 amortiguadores en la base de la lavadora para minimizar el movimiento.

Tambor de acero inoxidable

El tambor de acero inoxidable elimina la corrosión y permite velocidades más altas, logrando mayor extracción del agua, que a su vez reduce el tiempo de secado.

Sistema de lavado de alto rendimiento

Su nueva lavadora de carga frontal y alto rendimiento ahorra tiempo con lavados más voluminosos y menor número de veces, conserva los recursos y también reduce sus gastos de agua y electricidad.

Velocidades de exprimido

Esta lavadora selecciona automáticamente la velocidad de exprimido según el ciclo seleccionado. Sin embargo, se puede modificar este ajuste de fábrica. Esta lavadora ofrece un máximo de cuatro opciones distintas de velocidad de exprimido.

Control automático de temperatura ACCUWASH™

El control automático de temperatura ACCUWASH™ nota y mantiene la temperatura del agua uniformemente. El control ACCUWASH regula el agua de entrada fría y caliente. El control ACCUWASH se enciende automáticamente cuando se ha seleccionado un ciclo.

Agregado de prendas

Cuando esta opción esté disponible al comienzo del ciclo, la luz de estado de agregar prendas (Add A Garment) se iluminará durante los primeros 8 minutos. Esta lavadora permite que durante un período de 8 minutos se puedan agregar prendas que se hayan olvidado agregar a una carga.

Acción de limpieza CATALYST® con inyección directa

Esta lavadora canaliza el 100% del agua a través de los depósitos para asegurar un enjuague a fondo y la mezcla de todos los aditivos antes de que entren en contacto con las prendas. Luego viene el rociado del agua desde la parte superior frontal hacia el centro de la carga, proporcionando una distribución pareja y un rendimiento de limpieza óptimo. Es normal que quede un poco de agua en los depósitos al término del ciclo.

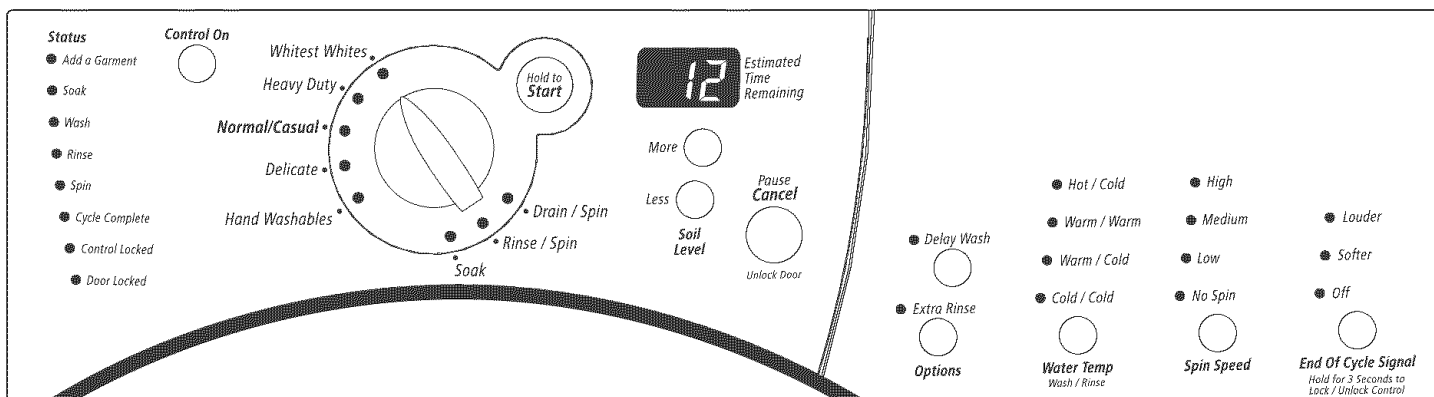
Sistema de detergente eficiente

Esta lavadora cuenta con una válvula de diseño especial que se cierra durante la porción de lavado del ciclo de modo que el 100% del agua y la mezcla del detergente se utiliza en la carga. El Sistema de detergente eficiente asegura que no se desperdicie agua o detergente.

Detección dinámica del desequilibrio

Esta lavadora utiliza dos sensores para detectar el tamaño de la carga y la cantidad de desequilibrio de la carga. El sistema de suspensión y los controles cuentan con un diseño especial que permite la redistribución automática de la carga.

USO DE LA LAVADORA



NOTA: El panel que se muestra más arriba puede ser diferente del de su modelo.

Puesta en marcha de la lavadora

⚠ ADVERTENCIA

Peligro de Incendio

Nunca coloque en la lavadora artículos que estén humedecidos con gasolina o cualquier otro líquido inflamable.

Ninguna lavadora puede eliminar completamente el aceite.

No seque ningún artículo que haya tenido alguna vez cualquier tipo de aceite (incluyendo aceites de cocina).

No seguir estas instrucciones puede ocasionar la muerte, explosión o incendio.

ADVERTENCIA: A fin de reducir el riesgo de incendio, de choque eléctrico o de daños personales, lea las INSTRUCCIONES IMPORTANTES DE SEGURIDAD antes de operar este aparato.

La siguiente es una guía para el empleo de su lavadora. Consulte las secciones específicas de este manual para obtener información detallada.

No almacene productos de lavandería encima de esta lavadora. La vibración es normal durante el funcionamiento.

Primer ciclo de lavado sin ropa

Antes de lavar la ropa por primera vez, elija el ciclo Normal/ Informal (NORMAL/CASUAL) y ponga a funcionar la lavadora sin ropa. Use $\frac{1}{2}$ de la cantidad recomendada de detergente en polvo o líquido de alto rendimiento (HE). Este ciclo inicial sirve para asegurar la limpieza del interior de la lavadora antes de lavar la ropa.

1. Para cargar la lavadora

Abra la puerta de la lavadora jalando la manija. Separe la ropa por color y tipo de tela. Coloque la carga de ropa seleccionada en la lavadora. No sobrecargue la lavadora. La sobrecarga puede dar lugar a limpiezas insatisfactorias.

- Se puede llenar por completo la lavadora pero sin apretujar la ropa. La puerta de la lavadora debe cerrarse con facilidad.
- Mezcle artículos grandes y pequeños. Evite lavar de a un artículo. Coloque la carga uniformemente.
- Lave los artículos pequeños, tales como calcetines de niños, en una bolsa de malla para prendas. Se recomienda usar más de una bolsa para prendas y que cada una de ellas se llene con la misma cantidad de material.
- Al sacar las prendas de la lavadora, de vez en cuando revise si no han quedado pequeños artículos debajo del borde de goma que está al frente de la tina.

2. Cierre la puerta de la lavadora empujándola con firmeza hasta que escuche el chasquido de la traba. La puerta de la lavadora permanecerá con seguro durante el ciclo de lavado.

NOTA: Al cabo de cualquier ciclo de lavado, se debe abrir la puerta y luego cerrarla para que pueda iniciar un nuevo ciclo. La puerta puede abrirse únicamente si se ha seleccionado Pausa/Anulado (PAUSE/CANCEL); mientras la luz de agregado de prendas (ADD A GARMENT) está encendida o si se ha anulado el ciclo. Vea "Para anular un ciclo".

3. Abra la gaveta de depósito y agregue los productos de lavandería en los compartimientos de detergente, blanqueador, o suavizante de telas. Cierre la gaveta lentamente para evitar derrames. Vea "Uso del depósito."

NOTA: Para lograr un rendimiento óptimo, use detergentes de alto rendimiento. El paquete para este tipo de detergentes tendrá la marca "HE" o "Alto rendimiento". La acción de lavado de HE junto con una cantidad menor de agua podría generar demasiada espuma con detergentes comunes.
4. Encienda la lavadora seleccionando uno de los ciclos de lavado. La luz indicadora del ciclo seleccionado se iluminará. Al seleccionar un ciclo de lavado, el ciclo prefijado, la temperatura del agua, la velocidad de exprimido, y el nivel de suciedad para el ciclo seleccionado se encenderán. La pantalla muestra el tiempo aproximado restante. Los ajustes prefijados proporcionan el cuidado recomendado de las telas en el ciclo seleccionado. Vea "Ciclos de lavado".
5. Seleccione las opciones (OPTIONS) deseadas. No todas las opciones están disponibles con todos los ciclos. Vea "Opciones".
6. Seleccione los modificadores (MODIFIERS) deseados. No todos los modificadores están disponibles con todos los ciclos y opciones. Vea "Modificadores".

7. Si lo desea, seleccione Señal de fin de ciclo (END OF CYCLE SIGNAL). Esta señal es útil cuando tiene que lavar artículos que deben quitarse de la lavadora tan pronto ésta se detenga. Seleccione Más alta (LOUDER) o Más baja (SOFTER).

8. Para comenzar el ciclo de lavado de inmediato

Seleccione control encendido (CONTROL ON).

- Si no selecciona sostenga para poner en marcha (HOLD TO START) dentro de los 5 minutos de haber elegido el ciclo, la lavadora se apaga automáticamente.
- Al término del ciclo de lavado, la luz de estado Ciclo completo (CYCLE COMPLETE) se ilumina, la puerta se destraba y se puede descargar la lavadora. La lavadora se apaga automáticamente 5 minutos después del término del ciclo y la luz de CYCLE COMPLETE se apaga. Para apagar la lavadora manualmente al cabo de un ciclo, seleccione Pausa/Anulado (PAUSE/CANCEL) una vez.

Uso del depósito

Su nueva lavadora tiene una gaveta de depósito con tres compartimientos separados para sus productos de lavandería – uno es para el detergente, otro es para el blanqueador líquido con cloro y el otro es para el suavizante líquido de telas. Los productos de lavandería se diluyen y se distribuyen automáticamente en el momento oportuno durante el ciclo de lavado, sin que usted tenga que regresar en el transcurso del ciclo de lavado para agregarlos.

Es normal que quede un poco de agua en los depósitos al término del ciclo de lavado.

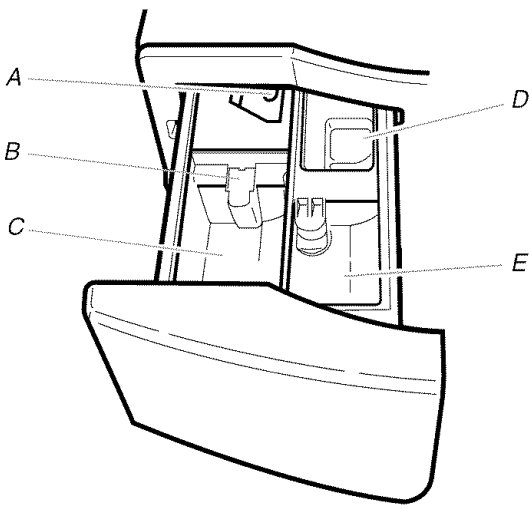
No ponga aditivos de lavandería directamente en la tina de lavado. Siempre use los depósitos apropiados al agregar productos de lavandería.

Cómo elegir el detergente adecuado

Para lograr un rendimiento de lavado óptimo, utilice un detergente de Alta Eficiencia (HE) o de poca espuma.

Para llenar los compartimientos del depósito:

1. Jale la gaveta del depósito.
2. Agregue el producto de lavandería deseado en el compartimiento apropiado.
3. Empuje la gaveta del depósito con cuidado y completamente hacia adentro (para evitar derrames).



Depósito

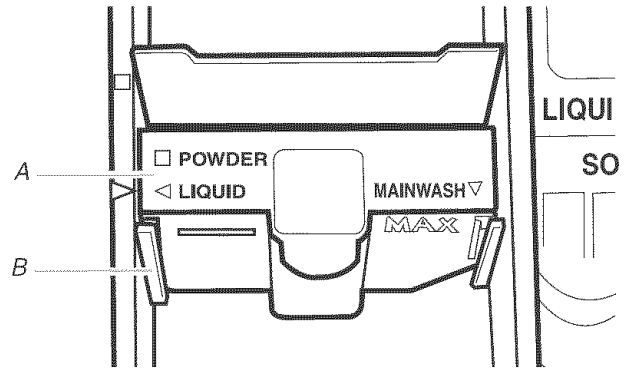
- A. Palanca de desenganche del depósito
- B. Separador
- C. Compartimiento del detergente
- D. Compartimiento del blanqueador
- E. Compartimiento del suavizante de telas

Compartimiento para el detergente

(Letra C en la ilustración del depósito)

Agregue detergente en polvo o líquido de alto rendimiento (HE) a este compartimiento para su ciclo de lavado. El separador de detergentes debe estar siempre en su lugar, ya sea en la posición del frente o de atrás.

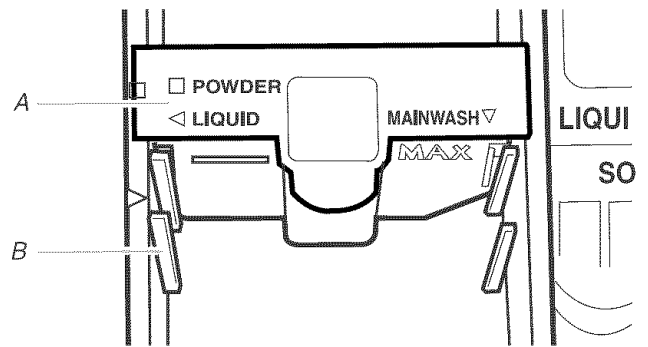
- No llene encima del nivel “MAX”.
- Se puede agregar blanqueador líquido o en polvo que no decolora en el compartimiento del lavado principal junto con el mismo tipo de detergente, líquido o en polvo.
- **Detergente líquido:** Coloque el SEPARADOR en la posición frontal, entre las guías, como se ilustra a continuación. No habrá espacio entre el fondo del compartimiento de detergente del ciclo de lavado y el fondo del separador.



Separador en la posición frontal, entre las guías

- A. Separador
- B. Guía

- **Detergente en polvo:** Ponga el SEPARADOR en la posición posterior, detrás de las guías, como se ilustra a continuación. Habrá un espacio entre el fondo del compartimiento de detergente del ciclo de lavado y el fondo del separador.



Separador en la posición posterior, detrás de las guías

- A. Separador
- B. Guía

NOTA: El separador viene de la fábrica en la posición de detergente en polvo (POWDER) (posterior).

Compartimiento del blanqueador

(Letra D en la ilustración del depósito)

Agregue NO MÁS DE 1/3 de taza del blanqueador líquido con cloro en este compartimiento. El blanqueador se diluirá y distribuirá automáticamente en el momento oportuno durante el primer enjuague después del ciclo de lavado. Este compartimiento no puede diluir blanqueador en polvo.

- Siempre mida el blanqueador líquido con cloro. Use una taza medidora con pico vertedor; no lo haga al cálculo.



- No llene encima del nivel "MAX". El sobrellenado puede ocasionar serios daños a las prendas.

Compartimiento del suavizante de telas

(Letra E en la ilustración del depósito)

Agregue ¼ de taza del suavizante líquido de telas en este compartimiento. El suavizante de telas se distribuirá automáticamente en el enjuague final.

- No llene encima del nivel "MAX".

Pausa o reanudación de la marcha

1. Para detener la lavadora en cualquier momento, seleccione PAUSE/CANCEL (Pausa/Anulado).
2. Para reanudar el ciclo, seleccione y sostenga START (Puesta en marcha) (durante un segundo aproximadamente).

Cambio de ciclos, opciones y modificadores

No todas las opciones y modificadores están disponibles con todos los ciclos. Los Ciclos, Opciones y Modificadores se pueden cambiar en cualquier momento antes de seleccionar sostenga para poner en marcha (HOLD TO START).

Las Opciones y Modificadores se pueden cambiar en cualquier momento después de seleccionar HOLD TO START y antes de que comience la Opción o Modificador seleccionado.

Para anular un ciclo y seleccionar uno nuevo

1. Seleccione PAUSE/CANCEL (Pausa/Anulado) dos veces.
2. Seleccione el ciclo deseado.
3. Seleccione las OPTIONS (opciones) o MODIFIERS (modificadores) deseados.
4. Seleccione y sostenga START (durante un segundo aproximadamente) para reanudar la marcha de la lavadora al inicio de un nuevo ciclo.

Para anular un ciclo

1. Seleccione PAUSE/CANCEL dos veces.
2. La lavadora se apaga, la puerta se destraba y se puede sacar la ropa.

NOTA: Si el nivel del agua o la temperatura están demasiado altos, la lavadora escurrirá automáticamente antes de que la puerta se destrabe.

Para cambiar Opciones o Modificadores después de que haya comenzado el ciclo

1. Seleccione PAUSE/CANCEL.
2. Seleccione las OPTIONS (Opciones) o MODIFIERS (Modificadores) deseados.
3. Seleccione y sostenga START (durante un segundo aproximadamente) para continuar el ciclo.

Para escurrir la lavadora manualmente

1. Seleccione PAUSE/CANCEL.
2. Seleccione DRAIN/SPIN (Escurrido/Exprimido).
3. Seleccione y sostenga START (durante un segundo aproximadamente) para comenzar el escurrido.
4. Al cabo del exprimido, la puerta se destraba. Se puede descargar la lavadora.

Luces de estado

Estas luces muestran en qué porción del ciclo está funcionando la lavadora. También indican cuándo se puede agregar un artículo en el ciclo de lavado y cuándo los controles están bloqueados.

Status

- Add a Garment
- Soak
- Wash
- Rinse
- Spin
- Cycle Complete
- Control Locked
- Door Locked

Agregado de artículos

Esta lavadora permite que durante un período de 8 minutos se puedan agregar prendas que se hayan olvidado agregar a la carga. Usted puede agregar artículos en la lavadora después de que el ciclo haya empezado si la luz de estado ADD A GARMENT (Agregado de prendas) está encendida.

Para agregar artículos

1. Seleccione PAUSE/CANCEL (Pausa/Anulado). La puerta de la lavadora se destraba y se puede añadir artículos.
2. Para continuar el ciclo, cierre la puerta y seleccione y sostenga START (durante un segundo aproximadamente).
3. Para destrabar la puerta después del período de agregar prendas, presione pausa/anulación (PAUSE/CANCEL) dos veces. Esto anulará el ciclo de lavado.

Ciclo completo

La luz de ciclo completo permanece encendida por 5 minutos después de que el ciclo se termine y luego se apaga la lavadora.

Bloqueo de controles

El Control Lock (Bloqueo de controles) evita el uso accidental de la lavadora. También puede usar la función de bloqueo de controles para evitar cambios accidentales del ciclo o de opciones durante un ciclo. Cuando CONTROL LOCKED (Control bloqueado) está encendido, todos los botones quedan desactivados excepto los de PAUSE/CANCEL y START. Usted puede bloquear la lavadora mientras ésta se encuentre en funcionamiento.

Para bloquear los controles

Seleccione y sostenga señal de fin de ciclo (END OF CYCLE SIGNAL) durante 3 segundos.

- Louder
- Softer
- Off



La luz de estado CONTROL LOCKED (Control bloqueado) se enciende.

Para desbloquear los controles

Seleccione y sostenga END OF CYCLE SIGNAL durante 3 segundos hasta que la luz de estado CONTROL LOCKED se apague.

Bloqueo de la puerta

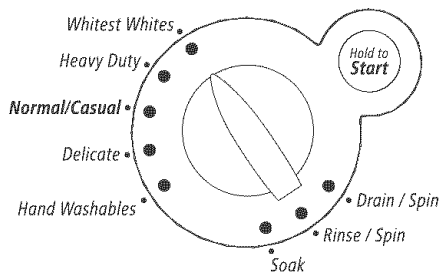
Cuando la luz de estado se enciende, la puerta está bloqueada.

Tiempo restante estimado

El tiempo del ciclo varía automáticamente basado en la presión de agua, temperatura del agua, detergente y carga de ropa. El tiempo del ciclo se alargará si hay demasiada espuma o si la carga no está balanceada. La rutina de espuma quita la espuma excedente y asegura el enjuague apropiado de sus prendas. Durante la rutina de desequilibrio, el tiempo en la pantalla puede hacer una pausa hasta que se complete esta actividad; luego reanudará el ciclo. El tiempo estimado restante puede agregar hasta media hora al tiempo del ciclo por omisión.

Ciclos

Se pueden seleccionar ciclos girando la perilla de control de ciclos hacia el ciclo deseado. Cada ciclo ha sido diseñado para los diversos tipos de tela y niveles de suciedad.



- Cada ciclo tiene los siguientes ajustes prefijados: Nivel de suciedad (Soil Level) (tiempo del ciclo), Temperatura del agua (Water Temperature), y Velocidad de exprimido (Spin Speed); también puede tener opciones prefijadas. Los ajustes prefijados proporcionan el cuidado recomendado de la tela en el ciclo seleccionado.
- Los ajustes prefijados pueden cambiarse en cualquier momento antes de seleccionar sostenga para poner en marcha (HOLD TO START). No todas las opciones y modificadores están disponibles con todos los ciclos. (Para cambiar los ajustes después de que haya comenzado el ciclo, seleccione Pausa/Anulado (PAUSE/CANCEL), luego seleccione los ajustes deseados. Seleccione y sostenga HOLD TO START para continuar el ciclo.

Blanquísimos (Whitest Whites)

Este ciclo ha sido diseñado especialmente para el lavado de telas blancas sucias con la ayuda del blanqueador. Las temperaturas calientes de lavado aseguran la óptima acción del blanqueador. El enjuague adicional proporciona un rendimiento óptimo de enjuague para evitar residuos de cloro en su ropa. Este ciclo combina una agitación veloz, tiempo de lavado más prolongado, y un exprimido a velocidad extra alta para acortar el tiempo de secado.

Lavado intenso (Heavy Duty)

Use este ciclo para lavar telas resistentes que no destiñen y prendas con suciedad profunda. Este ciclo combina una agitación veloz, tiempo de lavado más prolongado, y un exprimido a velocidad alta para acortar los tiempos de secado.

Normal/Informal (Normal/Casual)

Use este ciclo para lavar telas inarrugables como camisas deportivas, blusas, ropa de negocios informal, fibras mixtas de planchado permanente, fibras de algodón y de lino y fibras sintéticas. Este ciclo combina una agitación a velocidad media, exprimido a alta velocidad y un proceso de enfriamiento de la ropa para reducir la formación de arrugas.

Ropa delicada (Delicate)

Use este ciclo para lavar telas y lencería muy fina. Este ciclo combina una agitación a baja velocidad y exprimido lento para el cuidado especial de la tela.

Lavado a mano (Hand Washables)

Use este ciclo para lavar prendas de lavado a mano y de cuidado especial. De manera similar en que se lavan las prendas a mano en el lavadero, la acción de lavado de este ciclo combina períodos de agitación a velocidad baja y remojo. El exprimido a velocidad baja reduce la formación de arrugas.

Remojo (Soak)

Use el ciclo de Remojo para quitar manchas pequeñas de suciedades agarradas a las telas. Este ciclo proporciona un tiempo de remojo con agua tibia o fría seguido por el escurrido. El agua extra, una fase corta de agitación para la distribución equitativa de la ropa y un tiempo de remojo sin movimiento del tambor mejoran la remoción de manchas rebeldes. Desagüe sin agitado asegura un tratado suave hasta para los artículos delicados.

Enjuague/Exprimido (Rinse/Spin)

Use este ciclo sólo para enjuagar y exprimir. Este ciclo combina una agitación veloz y exprimido a velocidad alta. Si lo desea, puede reducir la velocidad de exprimido seleccionando la velocidad que desea del modificador SPIN SPEED (Velocidad de exprimido).

El ciclo de Rinse/Spin (Enjuague/Exprimido) es útil para

- Cargas que necesitan únicamente enjuague.
- Agregar suavizante de telas a una carga.

Escurrido/Exprimido (Drain/Spin)

Use este ciclo para vaciar el agua de la lavadora o para escurrir y exprimir la ropa. La velocidad de exprimido ha sido prefijada en alta. Si lo desea, puede reducir la velocidad de exprimido seleccionando la velocidad que desea del modificador SPIN SPEED.

NOTA: Las cargas de telas sintéticas, fibras delicadas, de lavado a mano y de lana se deben escurrir sin exprimir o con un exprimido a baja velocidad para evitar deformaciones de las telas.

Ajustes prefijados de ciclos

Cada ciclo tiene los siguientes ajustes prefijados: Tiempo del ciclo (Cycle Time), Temperatura del agua (Water Temperature) y Velocidad de exprimido (Spin Speed). Los ajustes prefijados proporcionan el cuidado recomendado de las telas en el ciclo seleccionado. Vea el cuadro.

Ciclo	Nivel de suciedad (tiempo del ciclo)	Temperatura del agua	Velocidad de Exprimido
Blancos Blanquísimos (Whitest Whites)	Normal (1:00)	Caliente/Fría (Hot/Cold)	Alta (High)
Lavado intenso (Heavy Duty)	Normal (0:50)	Caliente/Fría (Hot/Cold)	Alta (High)
Normal/Informal (Normal/Casual)	Normal (0:40)	Tibia/Fría (Warm/Cold)	Alta (High)

Ciclo	Nivel de suciedad (tiempo del ciclo)	Temperatura del agua	Velocidad de Exprimido
Ropa delicada (Delicate)	Normal (0:35)	Tibia/Fr�a (Warm/Cold)	Media (Medium)
Lavado a mano (Hand washables)	Normal (0:30)	Fr�a/Fr�a (Cold/Cold)	Baja (Low)
Remojo (Soak)	Normal (0:30)	Tibia/Fr�a (Warm/Cold)	No exprime (No Spin)
Enjuague/ Exprimido (Rinse/Spin)	Normal (0:21)	Fr�a/Fr�a (Cold/Cold)	Alta (High)
Desag�e/ Exprimido (Drain/Spin)	Normal (0:11)	N/A	Alta (High)

Para cambiar los ajustes programados

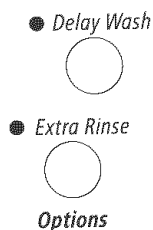
Oprima el selector de cada ajuste hasta que destelle el ajuste deseado.

Sonidos normales de la lavadora

Como ocurre con cualquier producto nuevo, usted escuchar  sonidos a los cuales no est  acostumbrado. Podr  oir varios sonidos al trabar o destrabar la puerta, y durante el proceso de lavado, enjuague y exprimido. Durante los intervalos entre las etapas de lavado, habr  pausas moment neas. Usted escuchar  el rociado y chapoteo del agua durante los ciclos de lavado y enjuague. Estos nuevos sonidos y pausas son parte del funcionamiento normal de la lavadora.

Opciones

Usted puede personalizar su lavado al agregar "Opciones" (OPTIONS) a sus selecciones de ciclo. Puede agregar o cambiar una opci n despu s del inicio del ciclo en cualquier momento antes de que comience la opci n seleccionada. No todas las opciones est n disponibles con todos los ciclos.



- Vea la secci n "Gu a para el lavado" para obtener un cuadro global de las opciones posibles en cada selecci n de ciclo de lavado.
- Usted puede seleccionar m s de una opci n por ciclo. Algunas opciones no se pueden a adir a ciertos ciclos.
- Si una determinada opci n est  disponible en el ciclo seleccionado, la luz de esa opci n se iluminar  al ser seleccionada.
- Si una determinada opci n no est  disponible en el ciclo seleccionado, se escuchar  una se al audible corta y la luz para esa opci n no se iluminar  al ser seleccionada.

Lavado con retraso

Use esto para el inicio diferido del ciclo de lavado.

- Seleccione Lavado con retraso (DELAY WASH) hasta que el tiempo diferido deseado (en horas) aparezca en la pantalla de Tiempo aproximado restante (Estimated Time Remaining).
- Seleccione Puesta en marcha (START). La cuenta regresiva del ciclo de lavado aparecer  en la pantalla.

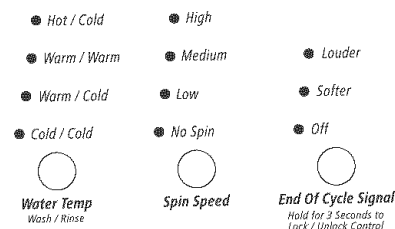
Enjuague adicional

Se puede utilizar un enjuague adicional para asegurar la eliminaci n de residuos del detergente o del blanqueador que haya quedado en las prendas. Esta opci n proporciona un enjuague adicional con la misma temperatura del agua del primer enjuague.

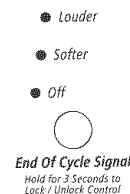
Modificadores

Los ajustes prefijados de los ciclos Temperatura de Lavado/ Enjuague (Wash/Rinse Temp), Temperatura del agua (Water Temp), Velocidad de exprimido (Spin Speed) y Nivel de suciedad (Soil Level) pueden modificarse. Usted puede cambiar el modificador despu s del inicio del ciclo en cualquier momento antes de que comience el modificador seleccionado. No todos los modificadores est n disponibles con todos los ciclos y opciones.

NOTA: El panel que se muestra a continuaci n puede ser diferente del de su modelo.



- Para cambiar la temperatura del agua, seleccione el bot n Temperatura del agua (WATER TEMP) hasta que el ajuste deseado se ilumine.
- Para cambiar la velocidad de exprimido, seleccione el bot n Velocidad de exprimido (SPIN SPEED) hasta que el ajuste deseado se ilumine.
- Para cambiar el volumen de la se al de Fin de ciclo, seleccione END of CYCLE SIGNAL.



- Para cambiar el tiempo del ciclo, seleccione el bot n Nivel de suciedad (SOIL LEVEL).

Temperatura de Lavado/Enjuague

Seleccione una temperatura de agua basado en el tipo de carga que esté lavando. Use el agua más caliente que la tela pueda resistir. Siga las instrucciones de la etiqueta de las prendas.

Los enjuagues tibios dejan las cargas más secas que los enjuagues fríos. Los enjuagues tibios aumentan la formación de arrugas. En climas fríos, el enjuague tibio hace que la ropa sea más cómoda para manejar. Los enjuagues fríos ahorran energía.

Guía de la temperatura

Temperatura del agua de lavado	Telas sugeridas
Caliente (HOT)	Blancas y de color pastel Suciedad profunda
Tibia (WARM)	Colores vivos Suciedad entre moderada y ligera
Fría (COLD)	Colores que destiñen o se opacan Suciedad ligera

En temperaturas de agua inferiores a 70°F (21°C), los detergentes no se disuelven bien. Además puede resultar difícil quitar la suciedad.

Control automático de temperatura ACCUWASH™

El control automático de temperatura ACCUWASH™ nota y mantiene la temperatura del agua uniformemente. El control ACCUWASH regula el agua de entrada fría y caliente. El control ACCUWASH se enciende automáticamente cuando se ha seleccionado un ciclo. Vea “Ajustes prefijados de ciclos” en la sección “Ciclos”.

- El control ACCUWASH™ asegura una limpieza homogénea.
- El control ACCUWASH™ funciona para todos los ajustes de temperatura de lavado y enjuague.

Guía para el lavado

Consulte este cuadro para obtener sugerencias sobre tipos de cargas y sus ciclos correspondientes. A la derecha se detallan las opciones disponibles para cada uno de estos ciclos de lavado.

CICLO	TIPO DE CARGA SUGERIDA	LAVADO CON RETRASO	ENJUAGUE ADICIONAL
Blancos blanquísimos (Whitest Whites)	Telas blancas sucias	✓	✓
Lavado intenso (Heavy Duty)	Ropa interior, toallas, camisas, etc. de algodón con suciedad profunda	✓	✓
Normal/Informal (Normal/Casual)	Blusas, camisas, overols, etc. de poliéster, nylon, algodón, lino o mezclas de algodón con suciedad normal	✓	✓
Ropa delicada (Delicate)	Cortinas, y ropa delicada, vestidos, faldas, camisas y blusas cuya etiqueta indique “telas que no se planchan”, “planchado permanente”, “antiarrugas” o “ciclo suave”.	✓	✓
Lavado a mano (Hand Washables)	Telas de seda, artículos muy finos etiquetados para “lavado a mano”	✓	✓
Remojo (Soak)	Telas de algodón, lino, poliéster o nylon		
Enjuague/exprimido (Rinse/Spin)	Telas de algodón, lino, poliéster o nylon	✓	✓
Desagüe/exprimido (Drain/Spin)	Telas de algodón, lino, poliéster o nylon		

CONSEJOS DE LAVANDERÍA

Preparación de la ropa para lavar

Siga estas recomendaciones para ayudarle a prolongar la vida de sus prendas de vestir.

- Cierre los zípers, broches de presión y corchetes para evitar que enganchen otros artículos. Quite alfileres, hebillas y demás objetos duros para evitar que rayen el interior de la lavadora. Quite todo adorno y ornamento que no sea lavable.
- Vacíe los bolsillos y vuélvalos al revés.
- Doble los puños y limpie con un cepillo la pelusa y la suciedad.
- Vuelva al revés las prendas de tejido sintético para evitar que se llenen de pelusas.
- Ate los cordones y fajas de modo que no se enreden.
- Remiende lo que esté roto así como las costuras y dobladillos flojos.
- Trate las manchas y suciedades.
- Las prendas manchadas o mojadas deberán lavarse con prontitud para obtener mejores resultados.
- Mezcle artículos grandes y chicos, evite lavar artículos separados y cargue de modo uniforme.
- Lave los artículos pequeños, tales como calcetines de niños, en una bolsa de malla para prendas. Se recomienda usar más de una bolsa para prendas y que cada una de ellas se llene con la misma cantidad de material.

Selección de la ropa

- Separe las prendas con suciedad rebelde de las que están ligeramente sucias, aún cuando éstas normalmente se lavarían juntas. Separe las prendas que sueltan pelusas (toallas, felpilla) de las que atraen pelusas (pana, fibras sintéticas y planchado permanente). Siempre que sea posible, vuelva al revés las prendas que sueltan pelusa.
- Separe los colores oscuros de los colores claros, los artículos no desteñibles de los que sí lo son.
- Separe por tipo de tela y estructura (prendas fuertes de algodón, tejidos de punto y prendas finas).

Cómo descargar

- Saque la ropa de la lavadora luego de que se haya completado el ciclo. Los objetos metálicos como cierres, broches a presión y hebillas pueden herrumbrarse si se dejan en la lavadora por un largo período de tiempo.
- Al sacar las prendas de la lavadora, de vez en cuando revise si no han quedado pequeños artículos debajo del borde de goma que está al frente de la tina.

Cómo cargar

Sugerencias para cargar (tamaño máximo de cargas).

Ropa de trabajo pesada

4 pantalones de mezclilla	2 pantalones de deporte
4 pantalones de trabajo	2 camisetas de deporte
4 camisas de trabajo	

Toallas

10 toallas de baño	14 toallas faciales
10 toallas de mano	

Carga mixta

3 sábanas (1 king, 2 de 1 plaza)	9 camisetas
4 fundas	9 pantalones cortos
3 camisas	10 pañuelos de mano
3 blusas	

CUIDADO DE LA LAVADORA

Limpieza de su lavadora

Limpieza del exterior

Use un paño suave y húmedo o una esponja para limpiar cualquier derrame. De vez en cuando limpie el exterior de su lavadora para que se vea como nueva. Use un jabón suave y agua. No emplee productos abrasivos.

Limpieza del interior

Use un paño suave y húmedo o una esponja para limpiar de vez en cuando la puerta interior a fin de quitar todo residuo de detergente. Use jabón suave y agua. No use productos abrasivos.

Limpieza del sello de la puerta

Use un paño suave y húmedo cuando sea necesario. Revise de vez en cuando si hay algún objeto extraño en el pliegue del sello.

Limpieza de la gaveta de depósito

La gaveta de depósito es desmontable para facilitar la limpieza.

1. Destrabe la gaveta de depósito presionando la palanca de desenganche. Vea "Uso del depósito." Quite la gaveta.
2. Quite los insertos (el sifón de los compartimientos del suavizante y del blanqueador y el separador).
3. Lave las piezas en el agua del grifo.
4. Vuelva a colocar los insertos y coloque nuevamente el depósito en la gaveta.

Mangueras de entrada del agua

Reemplace las mangueras de entrada del agua después de cinco años de uso para reducir el riesgo de fallas. Inspeccione periódicamente y cambie las mangueras si se hallan protuberancias, torceduras, cortes, desgaste o pérdidas de agua.

Cuando reemplace las mangueras de entrada del agua, anote la fecha de reposición.

Cuidado durante las vacaciones, el almacenamiento y la mudanza

Instale y guarde su lavadora donde no se congele. Debido a que puede quedar algo de agua en las mangueras, la congelación de ésta puede dañar su lavadora. Si va a almacenar o mover su lavadora durante una temporada de invierno riguroso, acondiciónela para el invierno.

Falta de uso o cuidado durante las vacaciones:

Ponga a funcionar su lavadora únicamente cuando esté en casa. Si va a salir de vacaciones o no va a usar la lavadora durante un período prolongado, usted debe:

- Desenchufe la lavadora o desconecte el suministro de energía.
- Interrumpir el suministro de agua de la lavadora. Esto ayuda a evitar inundaciones accidentales (debido a aumentos en la presión del agua) en ausencia suya.
- Abra ligeramente la puerta para proporcionar ventilación.

Para acondicionar la lavadora para el invierno:

1. Vierta un litro de anticongelante tipo R.V. en el tambor.
2. Ponga la lavadora a funcionar en el ciclo de Escurrido/Exprimido (DRAIN/SPIN).
3. Desenchufe la lavadora o desconecte el suministro de energía.
4. Cierre ambos grifos del agua.
5. Desconecte las mangueras de entrada del agua de los grifos y desagüe.

Para volver a usar la lavadora:

1. Deje correr agua por las tuberías.
2. Vuelva a conectar las mangueras de entrada del agua a los grifos.

3. Abra ambos grifos del agua.
4. Enchufe la lavadora o reconecte el suministro de energía.
5. Ponga a funcionar la lavadora durante el ciclo Normal/ Informal (NORMAL/CASUAL) con ½ de la cantidad recomendada de detergente de alto rendimiento (HE) para eliminar el anticongelante.

Para transportar la lavadora:

1. Si va a mover la lavadora durante una temporada de invierno riguroso, vierta un litro de anticongelante tipo R.V. en el tambor. Ponga la lavadora a funcionar en el ciclo Escurrido/Exprimido (DRAIN/SPIN).
2. Desenchufe el cable de suministro de energía.
3. Desconecte la manguera de desagüe del sistema de desagüe y fíjela a los ganchos del panel posterior.
4. Cierre ambos grifos del agua.
5. Desconecte las mangueras de entrada del agua de los grifos, luego elimine el agua de las mangueras y fíjelas al panel posterior de la lavadora.
6. **IMPORTANTE:** Llame para solicitar servicio. No vuelva a usar las tuercas de transporte. La unidad debe ser transportada en la posición vertical. Para prevenir daños estructurales y de suspensión, su máquina debe estar debidamente preparada para ser nuevamente ubicada por un técnico certificado.

Para volver a instalar la lavadora:

1. Siga las "Instrucciones de instalación" para ubicar, nivelar y conectar la lavadora.
2. Ponga la lavadora a funcionar en el ciclo NORMAL/CASUAL con un ½ de la cantidad normal recomendada de detergente de alto rendimiento (HE) para limpiar la lavadora y eliminar el anticongelante, de haberlo usado.

SOLUCIÓN DE PROBLEMAS

Pruebe primero las soluciones aquí sugeridas y posiblemente se evite el costo de una visita de servicio técnico...

La pantalla de la lavadora muestra mensajes codificados y emite señales audibles

- **"FH" (Problema de entrada del agua – no hay agua o el abastecimiento del agua es insuficiente)**
Seleccione Pausa/Anulado (PAUSE/CANCEL) dos veces para anular el ciclo. Desenchufe la lavadora o interrumpa el suministro eléctrico.

Revise lo siguiente:

- ¿Están completamente abiertos los grifos del agua?
- ¿Están obstruidos los filtros en la conexión de la manguera de entrada con la lavadora?
- ¿Están retorcidas las mangueras de entrada del agua?
- ¿Se han congelado las mangueras de entrada del agua?

Enchufe la lavadora o vuelva a conectar el suministro eléctrico. Vuelva a seleccionar el ciclo y presione HOLD TO START (Puesta en marcha). Si el problema persiste, llame al servicio técnico.

- **"F02" (Problema de desagüe)**
Seleccione PAUSE/CANCEL dos veces para anular el ciclo. Desenchufe la lavadora o interrumpa el suministro eléctrico.

Revise lo siguiente:

- ¿Está retorcida la manguera de desagüe?
- ¿Se ha congelado la manguera de desagüe?
- ¿Está obstruida la manguera de desagüe?
- ¿Está la manguera de desagüe a una altura mayor de 96" (2.4 m) del piso?

- **"SUD" (Rutina de espuma)**

Cuando el sistema detecta la presencia de exceso de espuma, la rutina de espuma comienza automáticamente. Esta rutina quita la espuma excedente y asegura el enjuague apropiado de sus prendas. "SUD" aparece en la pantalla durante el enjuague y al final del ciclo para informarle que la Rutina de espuma ha sido activada. To avoid excessive sudsing, reduce HE detergent amounts.

- **Variables “F” [F4 a F16] (Problema eléctrico)**
Seleccione PAUSE/CANCEL dos veces para anular el ciclo. Seleccione Escurrido/Exprimido (DRAIN/SPIN) si hay exceso de agua en la lavadora.
Vuelva a seleccionar el ciclo y presione HOLD TO START. Si el problema persiste, llame al servicio técnico.

La lavadora no funciona

- **Revise lo siguiente:**
 - ¿Se ha enchufado el cable eléctrico en un contacto de tres terminales con conexión a tierra?
 - ¿Se ha cerrado bien la puerta de la lavadora?
 - ¿Se ha seleccionado un ciclo, pero no se ha seleccionado START sosteniéndolo durante un segundo?
 - ¿Se ha abierto la puerta después de haberse terminado el ciclo anterior?

La lavadora no se llena, ni lava ni enjuaga

- **Revise lo siguiente:**
 - ¿Se ha enchufado el cable eléctrico en un contacto de tres terminales con conexión a tierra?
 - ¿Hay corriente en el enchufe? Revise la fuente de electricidad o llame a un electricista.
 - ¿Están abiertos los grifos del agua fría y del agua caliente?
 - ¿Está retorcida la manguera de entrada del agua?
 - ¿Están obstruidos los filtros de la válvula de admisión?

La lavadora se detiene

- **Revise lo siguiente:**
 - ¿Se ha enchufado el cable eléctrico en un contacto de tres terminales con conexión a tierra?
 - ¿Hay corriente en el enchufe?
Revise la fuente de electricidad o llame a un electricista.
 - ¿Se ha quemado algún fusible o se ha disparado el disyuntor?
Si el problema persiste, llame a un electricista.
 - ¿Está usando un cable eléctrico de extensión?
No use cables eléctricos de extensión.

La lavadora no escurre ni exprime

- **¿Se ha obstruido la manguera de desagüe, o el extremo de la manguera de desagüe está a una altura mayor de 96" (2.4 m) del piso?**
- **¿Está bajo el voltaje?**
Revise la fuente de electricidad o llame a un electricista. No use cables eléctricos de extensión.
- **¿Se ha activado la rutina de espuma “SUD”?**
El ciclo concluirá una vez que se haya eliminado el exceso de espuma.
- **¿Está balanceada la carga?**
Un solo artículo o uno que sea voluminoso puede causar desequilibrio. Agregue más artículos o redistribuya la carga.

La lavadora hace ruidos o vibra

- **¿Está nivelada la lavadora?**
La lavadora debe estar nivelada. Las cuatro patas deben instalarse correctamente, y las tuercas deben apretarse contra el gabinete de la lavadora.
Mientras se escurre el agua de la lavadora, usted podrá oír el aire que se succiona a través de la bomba. Esto ocurre durante la fase final del escurrido. Es normal.
- **¿Está lavando artículos con broches metálicos a presión, hebillas o zípers?**
Usted podrá escuchar el ruido producido por los artículos al tocar el tambor de la lavadora. Esto es normal.
- **¿Se ha instalado la lavadora sobre un piso resistente y firme?**
Consulte la sección “Instrucciones de instalación” para informarse respecto a los requisitos del piso. El ruido y la vibración pueden reducirse colocando un pedazo de madera laminada de ¾" (19.1 mm) debajo de su lavadora. La madera laminada puede extenderse debajo de la lavadora y la secadora para mantenerlas a la misma altura.

La lavadora pierde agua

- **Revise las tuberías del agua de la casa para ver si hay fugas.**

Los depósitos están obstruidos o hay fugas

- **¿Se han colocado los productos de lavandería en el compartimiento apropiado del depósito?**
Agregue las cantidades adecuadas de detergente HE, suavizante de telas o blanqueador líquido con cloro en los compartimientos apropiados. Agregue el blanqueador que no decolora líquido o en polvo en el compartimiento del detergente.
- **¿Está el separador de detergente en la posición correcta?**
El separador deberá estar en la posición frontal cuando se utilice detergente líquido y en la posición posterior cuando se utilice detergente en polvo.

Ropa demasiado mojada

- **¿Ha empleado el ciclo apropiado para la ropa que está lavando?**
Seleccione un ciclo con una velocidad de exprimido más alta.
- **¿Ha lavado artículos voluminosos o ha sobrecargado la lavadora?**
Un solo artículo, los artículos voluminosos o la sobrecarga pueden ocasionar el desequilibrio. Agregue artículos o trate de distribuir uniformemente la ropa mojada en el tambor, y ponga en marcha un ciclo de Desagüe/Exprimido (DRAIN/SPIN). Si la ropa continúa mojada, saque la mitad de la carga de la lavadora e inténtelo de nuevo.

Residuos o pelusas en la ropa

- **¿Ha agregado detergente en el depósito?**
Para obtener óptimos resultados, agregue detergente en el compartimiento del detergente. No agregue el detergente en el tambor de la lavadora.
- **¿Ha separado adecuadamente la ropa?**
Separe la ropa que suelta pelusa (toallas, felpilla) de la ropa que atrae pelusa (pana, fibras sintéticas). Sepárelas también por color.
- **¿Ha sobrecargado la lavadora?**
No sobrecargue la lavadora. La lavadora puede llenarse por completo, pero sin apretujar la ropa. La carga debe estar equilibrada. La pelusa puede quedar atrapada en la carga si la lavadora está sobrecargada.
- **Revise lo siguiente:**
¿Ha dejado papel o tisú en los bolsillos?
- **¿Ha utilizado suficiente detergente?**
Siga las instrucciones del fabricante. Use suficiente detergente para mantener la pelusa en el agua.
- **¿Está la temperatura del agua debajo de 70°F (21°C)?**
Si la temperatura del agua es inferior a 70°F (21°C), es posible que el detergente no se disuelva por completo.
- **¿Está usando un ciclo de lavado de baja velocidad?**
Los detergentes en polvo quizás no se disuelvan bien en los ciclos de velocidad baja. Para obtener óptimos resultados, utilice detergente líquido para los ciclos de velocidad baja como Ropa delicada (Delicate) y Lavado a mano (Hand Washables).

Manchas en la ropa

- **¿Ha agregado detergente en el depósito?**
Para obtener óptimos resultados, agregue detergente en el compartimiento del detergente. No agregue detergente en el tambor de la lavadora.
- **¿Ha usado suficiente detergente?**
Use suficiente detergente para quitar la suciedad y mantenerla en suspensión. Para lograr un óptimo rendimiento, use un detergente de alto rendimiento (HE). Siga las recomendaciones del fabricante para el tipo de ropa que está lavando.
- **¿Hay exceso de óxido de hierro (herrumbre) en el agua?**
Quizás tenga que instalar un filtro de hierro.
- **¿Ha separado adecuadamente la ropa?**
Separe las ropas de color oscuro de las de color blanco y claro.
- **¿Ha descargado la lavadora con prontitud?**
Para evitar la transferencia de tintes, descargue la lavadora tan pronto se detenga.
- **¿Ha usado una bola con suavizante de telas?**
Las bolas que distribuyen suavizante de telas no funcionan correctamente en esta lavadora. Agregue el suavizante líquido de telas en el compartimiento del suavizante de telas.
- **¿Ha usado detergente en polvo en un ciclo de baja velocidad?**
Considere el empleo de un detergente líquido.

La ropa está arrugada

- **¿Ha descargado la lavadora con prontitud?**
Descargue la lavadora tan pronto se detenga.
- **¿Ha empleado el ciclo correcto para la carga que está lavando?**
Utilice el ciclo Delicate (Ropa delicada) u otro ciclo con velocidad baja de exprimido para reducir la formación de arrugas.
- **¿Ha sobrecargado la lavadora?**
La carga deberá estar equilibrada y sin sobrecarga. Las cargas deben moverse con libertad durante el lavado.

Blancos grisáceos, colores opacos

- **¿Ha separado adecuadamente la ropa?**
Al mezclar ropa blanca y de color en una carga puede ocurrir transferencia de tintes. Separe las ropas de color oscuro de las de color blanco y claro.
- **¿Estaba la temperatura de lavado demasiado baja?**
Lave con agua caliente o tibia que no dañe la ropa. Cerciórese de que el sistema de agua caliente sea el adecuado para proveer un lavado con agua caliente.
- **¿Ha usado suficiente detergente, o tiene un suministro de agua dura?**
Use más detergente para lavar ropa con suciedad profunda en agua fría o dura.

Ciclo demasiado prolongado

- **¿Aparece en la pantalla “SUD”?**
Se ha detectado excesiva espuma y la rutina de espuma ha sido activada para eliminar el exceso. Esta rutina añadirá tiempo adicional al ciclo original.
- **¿Ha sido la carga lo que causa un desequilibrio?**
Cuando hay demasiado desequilibrio, una rutina de desequilibrio comenzará a redistribuir la carga. Durante la rutina de desequilibrio, el tiempo en la pantalla puede hacer una pausa hasta que se complete esta actividad; luego reanudará el ciclo.
- **¿Ha lavado una carga grande usando un ciclo delicado?**
Cuando use los ciclos de lavado a mano o de ropa delicada, ponga cargas pequeñas. Esto le asegura un lavado delicado para sus prendas sin aumentar los tiempos de lavado.

La puerta está trabada al final del ciclo de lavado

- **¿Se ha escurrido toda el agua de la lavadora durante el período de exprimido?**
Seleccione DRAIN/SPIN (Escurrido/Exprimido) para eliminar toda el agua que haya quedado en la lavadora. La puerta de la lavadora se destrabará al término del escurrido.

AYUDA O SERVICIO TÉCNICO

Antes de solicitar asistencia o servicio, por favor consulte la sección "Solución de Problemas." Esto le podría ahorrar el costo de una visita de servicio técnico. Si considera que aún necesita ayuda, siga las instrucciones que aparecen a continuación.

Cuando llame, tenga a mano la fecha de compra y el número completo del modelo y de la serie de su electrodoméstico. Esta información nos ayudará a atender mejor a su pedido.

Si necesita piezas de repuesto

Si necesita pedir piezas de repuesto, recomendamos que use únicamente piezas especificadas de fábrica FSP®. Estas piezas encajarán bien y funcionarán bien ya que están fabricadas con la misma precisión empleada en la fabricación de cada electrodoméstico nuevo de WHIRLPOOL®.

Para conseguir las piezas de repuesto FSP en su localidad:

En los EE.UU., llame al Centro de Interacción del Cliente al **1-800-253-1301**, o al centro de servicio designado más cercano a su localidad.

En Canadá, llame al **1-800-807-6777**, o al centro de servicio designado más cercano a su localidad.

En los EE.UU.

Llame al Centro de Interacción del Cliente de Whirlpool sin costo alguno al:

1-800-253-1301.

Nuestros consultores ofrecen asistencia con respecto a:

- Características y especificaciones de nuestra línea completa de electrodomésticos.
- Información sobre instalación.
- Procedimiento para el uso y mantenimiento
- Venta de piezas para reparación y accesorios
- Asistencia especializada para el consumidor (habla hispana, problemas de audición, visión limitada, etc.).
- Recomendaciones a distribuidores locales, compañías que dan servicio y distribuidores de partes para reparación

Los técnicos de servicio designados por Whirlpool están entrenados para cumplir con la garantía del producto y ofrecer servicio una vez que la garantía termine, en cualquier lugar de los Estados Unidos.

Para localizar a una compañía de servicio designada por Whirlpool en su área, también puede consultar la sección amarilla de su guía telefónica.

Para obtener más asistencia

Si necesita asistencia adicional, puede escribir a Whirlpool Corporation con sus preguntas o dudas a:

Whirlpool Brand Home Appliances
Customer Interaction Center
553 Benson Road
Benton Harbor, MI 49022-2692

Favor de incluir un número telefónico de día en su correspondencia.

En Canadá

Llame al Centro de Interacción del Cliente de Whirlpool Canadá sin costo alguno al:

1-800-461-5681 De lunes a viernes de 8:00 a.m. a 6:00 p.m. (hora del este). Los sábados de 8:30 a.m. a 4:30 p.m. (hora del este).

Nuestros consultores ofrecen asistencia con respecto a:

- Características y especificaciones de nuestra línea completa de electrodomésticos.
- Referencias a distribuidores locales

Para servicio técnico en Canadá

Llame al **1-800-807-6777**. Los técnicos de servicio designados por Whirlpool Canadá están capacitados para cumplir con la garantía del producto y proporcionar servicio posterior al vencimiento de la garantía en cualquier lugar de Canadá.

Para obtener más asistencia

Si necesita asistencia adicional, puede escribir a Whirlpool Canadá con sus preguntas o dudas a:

Customer Interaction Center
Whirlpool Canadá
1901 Minnesota Court
Mississauga, Ontario L5N 3A7

Favor de incluir un número telefónico de día en su correspondencia.

GARANTÍA DE LA LAVADORA WHIRLPOOL®

GARANTÍA TOTAL DE UN AÑO

Durante un año a partir de la fecha de compra, siempre y cuando se dé a la lavadora un uso y mantenimiento de conformidad con las instrucciones adjuntas o provistas con el producto, Whirlpool Corporation se hará cargo del costo de las piezas de repuesto FSP® y de los gastos del trabajo de reparación para corregir defectos en los materiales o en la mano de obra. El servicio deberá ser suministrado por una compañía de servicio designada por Whirlpool.

GARANTÍA LIMITADA DEL SEGUNDO AÑO EN TODOS LOS TABLEROS DE CONTROL ELECTRÓNICOS

En el segundo año a partir de la fecha de compra, siempre y cuando se dé a la lavadora un uso y mantenimiento de conformidad con las instrucciones adjuntas o provistas con el producto, Whirlpool Corporation se hará cargo del costo de las piezas de repuesto FSP® para todos los tableros de control electrónico.

GARANTÍA LIMITADA DEL SEGUNDO AL QUINTO AÑO EN LA PARTE SUPERIOR DE PORCELANA O PARA EL POLVO, LA CORREA Y LAS POLEAS DEL SISTEMA DE ACCIONAMIENTO

Durante el segundo al quinto año desde la fecha de compra, cuando esta lavadora sea operada y mantenida de acuerdo a las instrucciones adjuntas o provistas con el producto, Whirlpool Corporation pagará por las piezas de repuesto especificadas de fábrica FSP® para lo siguiente, para corregir defectos de material o de mano de obra: parte superior de porcelana o para el polvo (contra desportilladuras y óxido); correa y poleas del sistema de accionamiento.

GARANTÍA LIMITADA DEL SEGUNDO AL DÉCIMO AÑO EN EL TAMBOR EXTERIOR

Durante el segundo al décimo año a partir de la fecha de compra, siempre y cuando se dé a esta lavadora un uso y mantenimiento de conformidad con las instrucciones adjuntas o provistas con el producto, Whirlpool Corporation se hará cargo del costo de las piezas de repuesto FSP® para el tambor exterior en caso de que éste se rompiese o no retuviese el agua, si tuviese defectos en los materiales o en la fabricación.

GARANTÍA LIMITADA DE POR VIDA PARA EL TAMBOR DE LAVADO DE ACERO INOXIDABLE

Durante la vida útil de la lavadora, siempre y cuando se dé a la lavadora un uso y mantenimiento de conformidad con las instrucciones adjuntas o provistas con el producto, Whirlpool Corporation se hará cargo del costo de las piezas de repuesto FSP® para el tambor de lavado de acero inoxidable si tuviera defectos en los materiales o en la fabricación.

Whirlpool Corporation no pagará por:

1. Visitas de servicio técnico para corregir la instalación de su lavadora, para enseñarle a usar su lavadora, para cambiar fusibles domésticos o para corregir la instalación eléctrica o de la tubería de la casa.
2. Reparaciones cuando su lavadora ha sido empleado para fines ajenos al uso doméstico normal de una familia.
3. Daños causados por accidente, alteración, uso indebido, abuso, incendio, inundación, actos fortuitos, instalación incorrecta, instalación que no sea de conformidad con los códigos eléctricos y de plomería locales o el empleo de productos no aprobados por Whirlpool Corporation o Whirlpool Canada Inc.
4. Cualquier gasto de mano de obra durante los períodos de la garantía limitada.
5. Piezas de repuesto o gastos de reparación para electrodomésticos que se empleen fuera de los Estados Unidos y Canadá.
6. Recogida y entrega. Este producto está diseñado para ser reparado en el hogar.
7. Reparaciones de piezas o sistemas como resultado de modificaciones no autorizadas que se hayan efectuado en el electrodoméstico.
8. En Canadá, gastos de viaje o de transporte para clientes que residen en zonas distantes.

WHIRLPOOL CORPORATION Y WHIRLPOOL CANADA INC. NO SE HARÁN RESPONSABLES POR DAÑOS INCIDENTALES O CONSECUENTES.

Algunos estados y provincias no permiten la exclusión o limitación de daños incidentales o consecuentes, de modo que esta exclusión o limitación quizás no le corresponda. Esta garantía le da derechos legales específicos y Ud. también puede tener otros derechos que varían de un estado a otro o de una provincia a otra.

Esta garantía no tiene vigor fuera de los cincuenta Estados Unidos y Canadá. Póngase en contacto con el distribuidor autorizado de Whirlpool para determinar si corresponde otra garantía.

Si necesita servicio, vea primero "Solución de Problemas". Podrá encontrar ayuda adicional al consultar la sección "Ayuda o servicio técnico", o al llamar a nuestro Centro de Interacción del Cliente al **1-800-253-1301** desde cualquier lugar de los EE.UU. o al escribir a: Whirlpool Corporation, Customer Interaction Center, 553 Benson Road, Benton Harbor, MI 49022-2692. En Canadá, llame a Whirlpool Canada Inc. al **1-800-807-6777**.

5/01

Guarde este libro y su comprobante de compra juntos para referencia futura. Usted deberá proporcionar el comprobante de la compra o una fecha de instalación para obtener servicio bajo la garantía.

Anote la siguiente información acerca de su lavadora para facilitar la obtención de asistencia o servicio si llegara a necesitarlo. Deberá tener a mano el número completo del modelo y de la serie. Podrá encontrar esta información en la etiqueta/placa con el número del modelo y de la serie, ubicados en su electrodoméstico.

Nombre del distribuidor _____

Dirección _____

Número de teléfono _____

Número de modelo _____

Número de serie _____

Fecha de compra _____

SÉCURITÉ DE LA LAVEUSE

Votre sécurité et celle des autres est très importante.

Nous donnons de nombreux messages de sécurité importants dans ce manuel et sur votre appareil ménager. Assurez-vous de toujours lire tous les messages de sécurité et de vous y conformer.



Voici le symbole d'alerte de sécurité.

Ce symbole d'alerte de sécurité vous signale les dangers potentiels de décès et de blessures graves à vous et à d'autres.

Tous les messages de sécurité suivront le symbole d'alerte de sécurité et le mot "DANGER" ou "AVERTISSEMENT". Ces mots signifient :

▲ DANGER

Risque possible de décès ou de blessure grave si vous ne suivez pas immédiatement les instructions.

▲ AVERTISSEMENT

Risque possible de décès ou de blessure grave si vous ne suivez pas les instructions.

Tous les messages de sécurité vous diront quel est le danger potentiel et vous disent comment réduire le risque de blessure et ce qui peut se produire en cas de non-respect des instructions.

IMPORTANTES INSTRUCTIONS DE SÉCURITÉ

AVERTISSEMENT : Pour réduire les risques d'incendie, de choc électrique ou de blessures lors de l'utilisation de la laveuse, suivre les précautions fondamentales dont les suivantes :

- Lire toutes les instructions avant d'utiliser la laveuse.
- Ne pas laver des articles qui ont été nettoyés ou lavés avec de l'essence ou imbibés d'essence, solvants de nettoyage à sec, ou autres substances inflammables ou explosives; ces substances peuvent émettre des vapeurs susceptibles de s'enflammer ou d'exploser.
- Ne pas ajouter d'essence, solvant de nettoyage à sec ou autre produit inflammable ou explosif dans l'eau de lavage. Ces substances peuvent émettre des vapeurs susceptibles de s'enflammer ou d'exploser.
- Dans certaines conditions, de l'hydrogène gazeux peut se former dans un circuit d'eau chaude qui n'a pas été utilisé pendant 2 semaines ou plus. **LE GAZ HYDROGÈNE EST EXPLOSIBLE.** Si le circuit d'eau chaude n'a pas été utilisé pendant une telle période, avant d'utiliser la laveuse, ouvrir tous les robinets d'eau chaude et laisser l'eau s'écouler pendant plusieurs minutes par chaque robinet. Ceci permettra l'évacuation de l'hydrogène gazeux accumulé. Comme ce gaz est inflammable, ne pas fumer ou utiliser une flamme nue au cours de cette période.
- Ne pas laisser des enfants jouer sur ou à l'intérieur de la laveuse. Bien surveiller les enfants lorsque la laveuse est utilisée à proximité d'enfants.
- Avant de mettre la laveuse au rebut ou hors de service, enlever la porte ou le couvercle.
- Ne pas tenter d'atteindre un article à l'intérieur de la cuve de la laveuse lorsque le tambour, la cuve ou l'agitateur est en mouvement.
- Ne pas installer ou remiser cette laveuse à un endroit où elle serait exposée aux intempéries.
- Ne pas modifier les organes de commande.
- Ne pas réparer ou remplacer un composant quelconque de la laveuse, ni entreprendre une opération de service, si ce n'est spécifiquement recommandé dans ce manuel ou dans un manuel d'instructions de réparations destiné à l'utilisateur; il est alors essentiel que la personne concernée comprenne ces instructions et soit compétente pour les exécuter.
- Voir "Spécifications électriques" pour les instructions de liaison à la terre.

CONSERVEZ CES INSTRUCTIONS

EXIGENCES D'INSTALLATION

Outils et pièces

Assembler les outils et les fournitures nécessaires avant de commencer l'installation de la laveuse. Les pièces fournies se trouvent dans le tambour de la laveuse.

Outils nécessaires pour raccorder les tuyaux d'arrivée d'eau

- Pincettes (ouverture jusqu'à 1 $\frac{1}{16}$ " [39,5 mm])
- Lampe de poche (facultative)

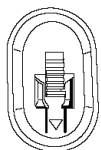
Outils nécessaires pour l'installation

- Clé à bout ouvert de 17 mm et de 13 mm
- Niveau
- Bloc de bois
- Mètre ou ruban à mesurer

Pièces fournies :



Courroie perlée



Bouchon du trou du boulon de transport (4)

Outils et pièces

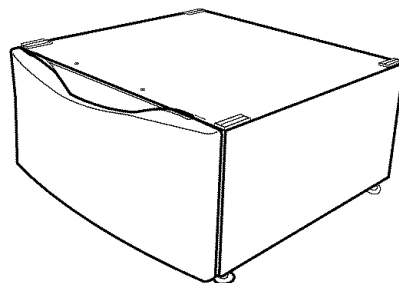
Votre installation peut nécessiter des pièces supplémentaires. Si vous désirez acheter l'un des articles indiqués ici, composez sans frais le numéro sur la couverture ou dans la section "Assistance ou service".

Si vous avez	Il faudra acheter
Évier de buanderie ou tuyau de rejet à l'égout plus haut que 96" (2,4 m)	Système de pompe de puisard (si non déjà disponible)
Égout surélevé	Évier de vidange standard de 20 gal (76 L), de 30" (76,2 cm) ou évier utilitaire et pompe de puisard (disponibles de votre fournisseur local d'articles de plomberie)
Égout au plancher	Brise-siphon, pièce n° 285834; tuyau de vidange additionnel, pièce n° 8318155; et trousse de connexion, pièce n° 285835
Tuyau de vidange trop court	Trousse de rallonge de tuyau d'écoulement de 4 pi (1,2 m), pièce n° 285863
Robinets d'eau éloignés du tuyau d'entrée d'eau	2 tuyaux de remplissage d'eau plus longs: 6 pi (1,8 m) pièce n° 76314, 10 pi (3,0 m) pièce n° 350008

Options

Piédestal

Il est possible d'acheter séparément un piédestal pour cette laveuse. Le piédestal ajoutera environ 13" (33 cm) à la hauteur de votre appareil pour une hauteur totale d'environ 51" (130 cm).



Piédestal facultatif

Pour le commander, téléphoner au marchand chez qui vous avez acheté la laveuse ou se référer à la section "Assistance ou service" de ce manuel.

Piédestaux de 13" (33 cm)

Couleur	Pièce n°
Blanc	LAB2700MQ
Biscuit	LAB2700MT
Étain	LAB2700ML

Ensemble de superposition

Prévoyez-vous de superposer votre laveuse et votre sècheuse? Pour ce faire, vous devrez acheter un ensemble de superposition.

Pour commander, téléphoner au marchand chez qui vous avez acheté votre sècheuse ou vous référer à la section "Assistance ou service" de ce manuel. Demander la pièce numéro 8541503.

Exigences d'emplacement

Le choix d'un emplacement approprié pour la laveuse en améliore le rendement et réduit au minimum le bruit et le "déplacement" possible de la laveuse.

La laveuse peut être installée dans un sous-sol, une salle de buanderie, un placard, un encastrement ou sur mesure sous un comptoir. Voir "Système de vidange".

Les exigences d'un emplacement pour les appareils connexes doivent être également considérées. Il vous incombe d'assurer une installation appropriée.

Il vous faudra

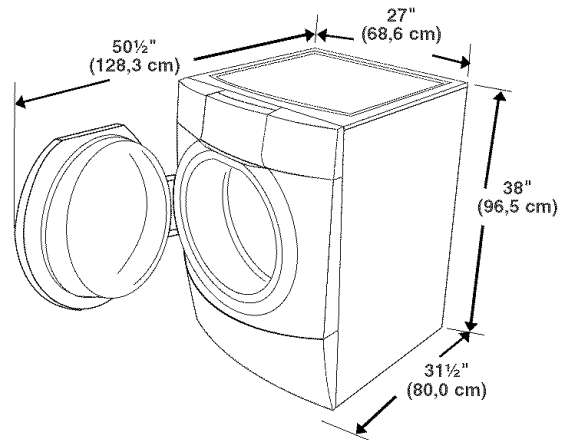
- Un chauffe-eau pour fournir de l'eau à 120°F (49°C) à la laveuse.
- Une prise électrique reliée à la terre située à moins de 6 pi (1,8 m) de la prise du cordon électrique se trouvant à l'arrière de la laveuse. Voir "Spécifications électriques".
- Des robinets d'eau chaude et d'eau froide situés à moins de 4 pi (1,2 m) des robinets de remplissage d'eau chaude et d'eau froide, et une pression d'eau de 20-100 lb/po² (137,9-689,6 kPa).
- Un plancher à niveau ayant une pente maximale de 1" (2,5 cm) sous toute la laveuse. L'installation de la laveuse sur du tapis n'est pas recommandée.
- Un plancher robuste et solide pour supporter la laveuse dont le poids total (eau et charge) est de 400 lb (180 kg).

Ne pas faire fonctionner la laveuse à des températures au-dessous de 32°F (0°C). Une quantité d'eau peut demeurer dans la laveuse et causer des dommages à des températures basses.

Espacements d'installation

- L'emplacement doit être assez grand pour permettre d'ouvrir complètement la porte de la laveuse.
- On doit prévoir un peu plus d'espace pour faciliter l'installation et l'entretien.
- Un espace supplémentaire peut être requis pour les moulures de porte et de plancher et pour les plinthes.
- Un espace supplémentaire de 1" (2,5 cm) de tous les côtés de la laveuse est recommandé pour réduire le transfert du bruit.
- Il faut aussi tenir compte de l'espace requis pour des appareils connexes.

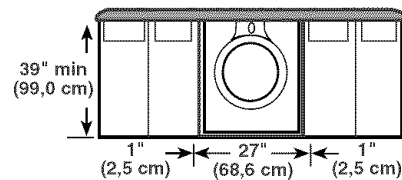
Dimensions de la laveuse



Espacement recommandé pour une installation personnalisée sous un comptoir

Les dimensions indiquées sont pour l'espace recommandé.

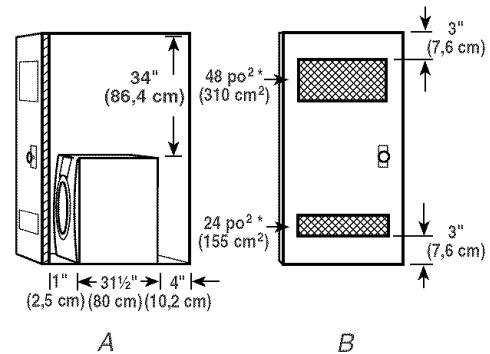
Installation personnalisée sous un comptoir - laveuse seulement



Espacement recommandé pour une installation dans un encastrement ou dans un placard, avec ou sans piédestal

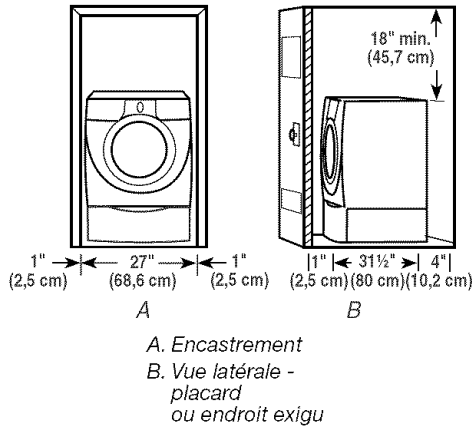
Les dimensions indiquées sont pour l'espace recommandé.

Installation dans un encastrement ou placard



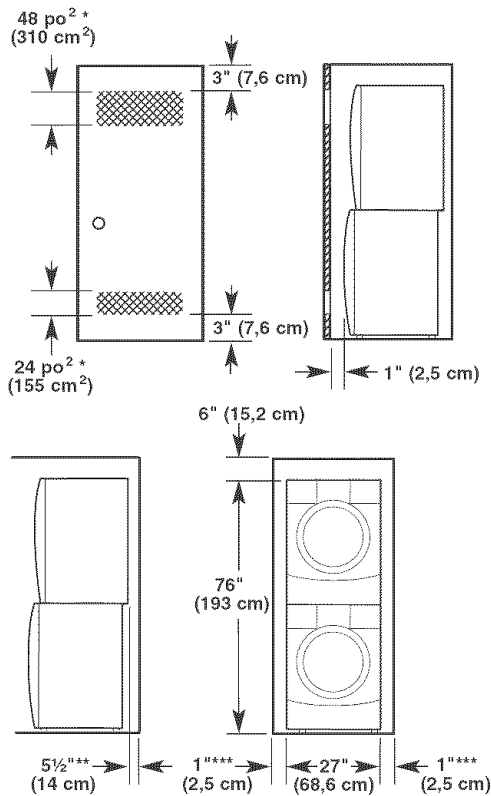
A. Vue latérale - placard ou endroit exigü
B. Porte de placard avec orifices d'entrée d'air

Installation dans un encastrement ou placard - laveuse sur piédestal



Espacement recommandé pour une installation dans un encastrement ou dans un placard, avec une laveuse et une sècheuse superposées

Les dimensions indiquées sont pour l'espacement recommandé.



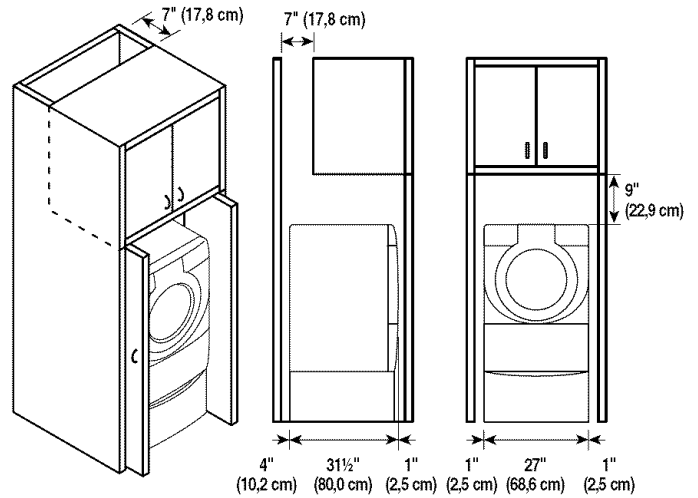
* Orifices d'entrée d'air min. supérieurs et inférieurs pour porte de placard.

** Espace supplémentaire nécessaire pour coude d'évacuation externe.

*** Un espace supplémentaire peut être nécessaire pour les moulures de mur, porte et plancher.

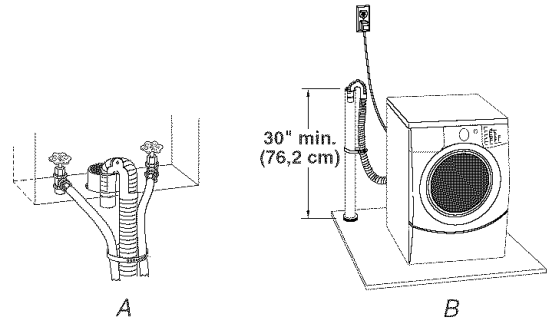
Espacement recommandé pour l'installation de la caisse

- Les dimensions indiquées sont pour l'espacement recommandé.
- Pour installation de la caisse avec porte, on doit prévoir des ouvertures minimum d'entrée d'air au sommet de la caisse.



Système de vidange

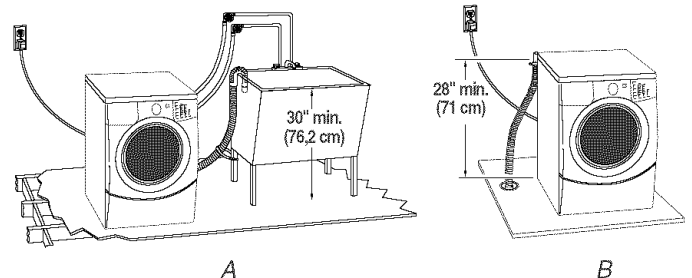
La laveuse peut être installée en utilisant le système de rejet à l'égout (au plancher ou mural), le système de vidange de l'évier ou le système de vidange au plancher. Sélectionner la méthode d'installation du tuyau de vidange selon les besoins. Voir "Outils et pièces".



Système de rejet à l'égout - mural ou au plancher (Vues A et B)

Le système de rejet à l'égout nécessite un tuyau de diamètre minimum de 2" (5 cm). La capacité minimale d'acheminement ne doit pas être de moins de 17 gal (64 L) par minute.

Le sommet du tuyau de vidange doit être d'au moins 30" (76,2 cm) de haut et au maximum à 96" (2,4 m) de la base de la laveuse.



Système de vidange de l'évier de buanderie (Vue A)

L'évier de buanderie doit avoir une capacité minimale de 20 gal (76 L). Le sommet de l'évier doit être à au moins 30" (76,2 cm) au-dessus du plancher.

Système de vidange au plancher (Vue B)

Le système de vidange au plancher exige un brise-siphon qui peut être acheté séparément. Voir "Outils et pièces".

Le brise-siphon doit être à un minimum de 28" (71 cm) de la base de la laveuse. D'autres tuyaux peuvent être requis.

Spécifications électriques

⚠ AVERTISSEMENT



Risque de choc électrique

Brancher sur une prise à 3 alvéoles reliée à la terre.

Ne pas enlever la broche de liaison à la terre.

Ne pas utiliser un adaptateur.

Ne pas utiliser un câble de rallonge.

Le non-respect de ces instructions peut causer un décès, un incendie ou un choc électrique.

- Une alimentation électrique de 120 volts, 60 Hz, CA seulement, de 15 ou 20 ampères, protégée par un fusible est requise. Un fusible temporisé ou disjoncteur est recommandé. Il est recommandé d'utiliser un circuit distinct pour alimenter seulement cet appareil.
- Cette laveuse est dotée d'un cordon d'alimentation avec fiche de branchement à 3 broches pour liaison à la terre.
- Pour minimiser le risque de choc électrique, le cordon doit être branché sur une prise de courant de configuration correspondante (3 alvéoles) reliée à la terre, conformément aux codes et règlements locaux. Si une prise de configuration correspondante n'est pas disponible, c'est au client qu'incombe la responsabilité et l'obligation personnelle de faire installer par un électricien qualifié une prise convenablement mise à la terre.
- Si les codes le permettent et si un conducteur distinct de mise à la terre est utilisé, il est recommandé qu'un électricien qualifié détermine que la liaison à la terre est adéquate.
- Ne pas effectuer de liaison à la terre sur une canalisation de gaz.
- En cas de doute concernant la qualité de la liaison à la terre de la laveuse, vérifier auprès d'un électricien qualifié.
- Ne pas utiliser un fusible dans le circuit neutre ou de liaison à la terre.

INSTRUCTIONS DE LIAISON À LA TERRE

Pour une laveuse reliée à la terre et connectée par un cordon :

Cette laveuse doit être reliée à la terre. En cas d'anomalie de fonctionnement ou de panne, la liaison à la terre réduira le risque de choc électrique en offrant au courant électrique un itinéraire d'évacuation de moindre résistance. Cette laveuse est alimentée par un cordon électrique comportant un conducteur relié à la terre et une fiche de branchement munie d'une broche de liaison à la terre. La fiche doit être branchée sur une prise de courant appropriée qui est bien installée et reliée à la terre conformément à tous les codes et règlements locaux.

AVERTISSEMENT : Le raccordement incorrect de cet appareil au conducteur de liaison à la terre peut susciter un risque de choc électrique. En cas de doute quant à la qualité de la liaison à la terre de l'appareil, consulter un électricien ou technicien d'entretien qualifié.

Ne pas modifier la fiche de branchement fournie avec l'appareil – si la fiche ne correspond pas à la configuration de la prise de courant, demander à un électricien qualifié d'installer une prise de courant convenable.

Pour une laveuse raccordée en permanence :

Cette laveuse doit être raccordée à un système de câblage permanent en métal relié à la terre ou un conducteur relié à la terre doit être en fonction avec les conducteurs de circuit et raccordés à la borne de liaison à la terre ou la borne sur l'appareil ménager.

INSTRUCTIONS D'INSTALLATION

Enlèvement du système de transport

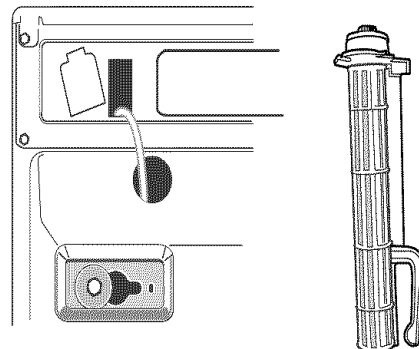
⚠ AVERTISSEMENT

Risque du poids excessif

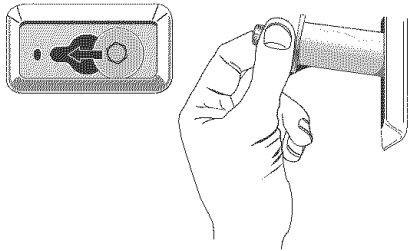
Utiliser deux ou plus de personnes pour déplacer et installer la laveuse.

Le non-respect de cette instruction peut causer une blessure au dos ou d'autre blessure.

IMPORTANT : Positionner la laveuse de sorte que l'arrière de la machine soit à environ 3 pi (90 cm) de l'emplacement final. On trouve sur le panneau arrière de la laveuse 4 boulons qui supportent le système de suspension durant le transport. Ces boulons retiennent également le cordon d'alimentation dans la laveuse jusqu'à ce qu'ils soient enlevés.



1. Au moyen d'une clé de 13 mm, desserrer chacun des boulons.
2. Une fois le boulon desserré, le déplacer au centre du trou et retirer complètement le boulon, y compris la cale d'espacement en plastique couvrant le boulon.



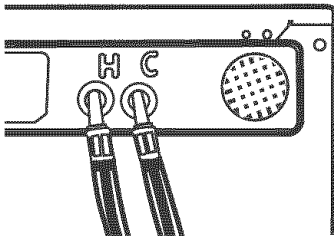
3. Une fois les 4 boulons enlevés, les jeter ainsi que les cales d'espacement. Tirer ensuite le cordon d'alimentation à travers l'ouverture du panneau arrière et fermer le trou à l'aide du bouchon joint.
4. Obturer les trous avec les bouchons des boulons de transport.

REMARQUE : Si la laveuse doit être transportée à une date ultérieure, faire un appel de service. Afin d'éviter tout dommage à la suspension ou à la structure, un technicien agréé doit convenablement préparer l'appareil pour le déplacement.

Raccordement des tuyaux d'alimentation

S'assurer que le tambour de la laveuse est vide.

1. Raccorder le tuyau à indicateur rouge à la valve du tuyau d'alimentation d'eau chaude (à gauche). Le fait d'attacher d'abord le tuyau à raccord rouge permet de resserrer plus facilement la connexion avec les pinces. Visser complètement le raccord à la main pour qu'il comprime le joint.
2. Raccorder le tuyau à indicateur bleu à la valve du tuyau d'alimentation d'eau froide (à droite). Visser complètement le raccord à la main pour qu'il comprime le joint.

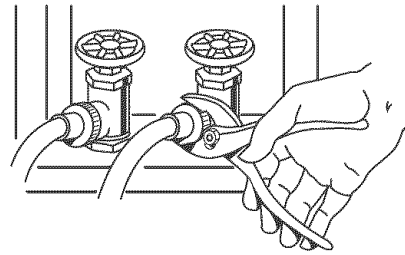


3. À l'aide d'une pince, vérifier l'étanchéité des raccords de tuyaux déjà reliés à la laveuse.

REMARQUE : Ne pas serrer excessivement. Le raccord risque d'être endommagé.

4. Raccorder le tuyau à indicateur rouge au robinet d'eau chaude. Visser complètement le raccord à la main pour qu'il comprime le joint.
5. Raccorder le tuyau à indicateur bleu au robinet d'eau froide. Visser complètement le raccord à la main pour qu'il comprime le joint.

6. Terminer le serrage des raccords en effectuant deux tiers de tour avec une pince.



REMARQUE : Ne pas serrer excessivement. Le raccord risque d'être endommagé.

7. Ouvrir les robinets d'eau et vérifier s'il y a des fuites.

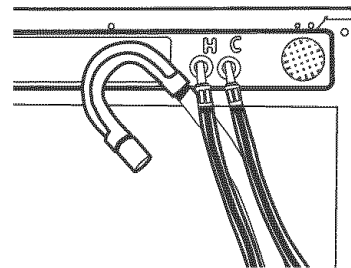
REMARQUE : Remplacer les tuyaux d'arrivée d'eau après 5 ans d'utilisation pour réduire le risque de défaillance. Prendre note de la date d'installation ou de remplacement des tuyaux d'arrivée d'eau, pour référence ultérieure.

Inspecter périodiquement les tuyaux; les remplacer en cas de renflement, de déformations, de coupures, d'usure ou si une fuite se manifeste.

Acheminement du tuyau de vidange

Le bon acheminement du tuyau de vidange protège vos planchers contre les dommages imputables à une fuite d'eau. Lire et suivre attentivement ces instructions.

Le tuyau de vidange est raccordé à la laveuse.



Pour empêcher l'eau de vidange de refluer dans la laveuse :

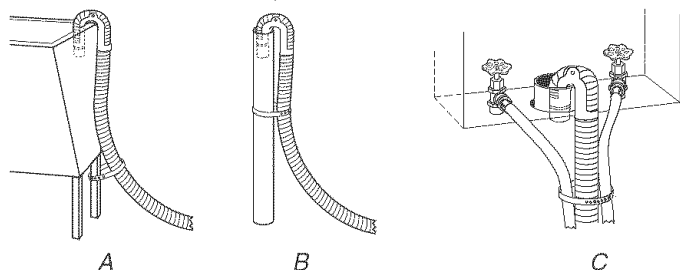
- Ne pas redresser le tuyau de vidange ni forcer l'excédent de tuyau dans le tuyau de rejet à l'égout. Le tuyau doit être bien immobilisé, tout en permettant le passage d'air.
- Ne pas mettre l'excédent du tuyau de vidange au fond de l'évier de buanderie.

Égout au plancher

Il vous faudra peut-être des pièces supplémentaires. Voir Vidange au plancher dans "Outils et pièces".

Immobilisation du tuyau de vidange

1. Faire passer le cordon d'alimentation par-dessus la laveuse.
2. Fixer le tuyau de vidange au pied de l'évier de buanderie ou au tuyau rigide de rejet à l'égout avec la courroie perlée. (Voir les illustrations A et B.)



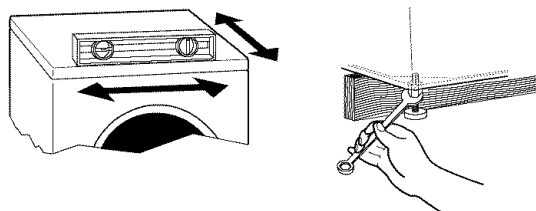
Si les robinets d'eau et le tuyau rigide de rejet à l'égout sont placés en retrait (voir l'illustration C), introduire l'extrémité en col de cygne du tuyau de vidange dans le tuyau rigide de rejet à l'égout. Attacher fermement les tuyaux d'arrivée d'eau et le tuyau de vidange ensemble, avec la courroie perlée.

Ne pas forcer l'excédent du tuyau de vidange dans le tuyau rigide de rejet à l'égout.

Réglage de l'aplomb de la laveuse

Un bon aplomb de la laveuse minimisera le bruit et les vibrations.

1. Vérifier l'aplomb de la laveuse en plaçant un niveau sur le haut de la laveuse, transversalement, puis dans le sens avant arrière.



Si la laveuse est contre un mur, la déplacer légèrement avant de l'incliner vers l'arrière. Si la laveuse n'est pas d'aplomb, soulever d'abord l'avant avec un bloc de bois et ajuster le déploiement des pieds selon le besoin, puis soulever l'arrière et ajuster le déploiement des pieds selon le besoin. Répéter ceci jusqu'à l'aplomb parfait de la laveuse.

2. S'assurer que les quatre pieds sont stables et reposent sur le plancher. Vérifier ensuite l'aplomb de la laveuse (à l'aide d'un niveau).

3. Après avoir réglé l'aplomb de la laveuse, utiliser une clé plate de 17 mm pour visser les écrous sur les pieds fermement contre la caisse de la laveuse.

IMPORTANT : Les 4 pieds doivent être bien serrés. Si les écrous ne sont pas bloqués contre la caisse de la laveuse, la laveuse peut vibrer.

4. La laveuse ne doit pas bouger de l'avant vers l'arrière, latéralement, ni transversalement lorsqu'on appuie sur les bords supérieurs.
5. Faire glisser la laveuse à son emplacement final.
6. Vérifier à nouveau l'aplomb de la laveuse.

Achever l'installation

1. Consulter les spécifications de l'installation électrique. Vérifier que la tension électrique disponible est correcte et que la prise de courant est convenablement reliée à la terre. Voir "Spécifications électriques".
2. Vérifier que toutes les pièces sont installées. S'il reste une pièce, passer en revue les différentes étapes pour découvrir laquelle aurait été oubliée.
3. S'assurer d'avoir tout l'outillage.
4. Jeter ou recycler tout le matériel d'emballage.
5. Vérifier que chaque robinet d'arrivée d'eau est ouvert.
6. Vérifier s'il y a des fuites autour des robinets et des tuyaux d'arrivée d'eau.

⚠ AVERTISSEMENT



Risque de choc électrique

Brancher sur une prise à 3 alvéoles reliée à la terre.

Ne pas enlever la broche de liaison à la terre.

Ne pas utiliser un adaptateur.

Ne pas utiliser un câble de rallonge.

Le non-respect de ces instructions peut causer un décès, un incendie ou un choc électrique.

7. Brancher sur une prise à 3 alvéoles reliée à la terre.
8. Lire "Utilisation de la laveuse".
9. Pour tester et nettoyer la laveuse, mesurer $\frac{1}{2}$ de la quantité normale recommandée de détergent en poudre ou liquide Haute efficacité (HE). Verser le détergent dans le distributeur de détergent. Sélectionner NORMAL/CASUAL (normal/tout-aller), puis HOLD TO START (Mise en marche). Laisser la machine exécuter un programme complet.

CARACTÉRISTIQUES ET AVANTAGES

Commandes électroniques

Les commandes électroniques flexibles sont faciles à utiliser que vous soyez un novice ou un expert.

Distributeurs intelligents

Les distributeurs intelligents rendent votre laveuse vraiment automatique. Cette laveuse fournit un distributeur à trois compartiments qui comprend des compartiments séparés pour le détergent, l'assouplissant de tissu, et l'eau de Javel. Le distributeur comporte de grandes zones de versement, est autonettoyant et peut être facilement retiré. Les produits de lessive sont dilués à l'eau fraîche et ajoutés à la charge au moment approprié durant le programme de lavage.

Niveau automatique de l'eau

Cette laveuse ajuste automatiquement le niveau de l'eau pour les meilleurs rendements de nettoyage et de rinçage. Deux détecteurs déterminent la taille de la charge, la composition de la charge, et les niveaux de mousse savonneuse; les détecteurs ajustent ensuite le niveau d'eau au réglage approprié. Ceci élimine les devinettes. Le niveau d'eau est juste ce qu'il faut pour chaque taille de charge de lavage.

Charges plus grosses

Puisqu'il n'y a pas d'agitateur, vous pouvez laver des articles plus grands, plus volumineux, comme un couvre-lit de très grande taille. Vous pouvez également laver plus de vêtements à la fois, ce qui signifie moins de charges.

Système de suspension

Pour réduire le "déplacement" de la laveuse et les conditions de "déséquilibre", votre nouvelle laveuse combine :

- 2 ressorts pour isoler la vibration
- 4 amortisseurs de choc à la base de la laveuse pour minimiser le mouvement.

Tambour en acier inoxydable

Le tambour en acier inoxydable élimine la corrosion et permet des vitesses d'essorage plus élevées pour une extraction plus forte d'eau ce qui réduit le temps de séchage.

Système de lavage haute efficacité

Votre nouvelle laveuse à chargement frontal à haute efficacité fait gagner du temps avec des charges moins nombreuses et plus importantes, et diminue vos factures d'eau et d'énergie en favorisant une utilisation judicieuse des ressources.

Vitesses d'essorage

Cette laveuse choisit automatiquement la vitesse d'essorage en fonction du programme choisi. Toutefois, ce réglage en usine peut être changé. Cette laveuse offre jusqu'à quatre choix de vitesses différentes d'essorage.

Commande de température automatique ACCUWASH™

La commande ACCUWASH™ détecte et maintient électroniquement une température d'eau uniforme. La commande ACCUWASH régule l'arrivée d'eau chaude et d'eau froide. La commande ACCUWASH est activée automatiquement lors de la sélection d'un programme.

Ajouter un vêtement

Lorsque cette option est disponible au début du programme, le témoin lumineux de l'état de la fonction Add A Garment (ajouter un vêtement) s'allume pendant les 8 premières minutes. Cette laveuse vous accorde une période de 8 minutes pendant laquelle les vêtements oubliés peuvent être ajoutés à la charge.

Action de nettoyage CATALYST® avec injection directe

Cette laveuse achemine 100% de l'eau à travers les distributeurs pour assurer un rinçage et un mélange à fond de tous les additifs avant qu'ils n'entrent en contact avec tout vêtement. L'eau est alors aspergée du haut à l'avant vers le centre de la charge, fournissant une distribution égale et un rendement idéal de nettoyage. Il est normal que de petites quantités d'eau demeurent dans les distributeurs lorsque le programme de lavage est complété.

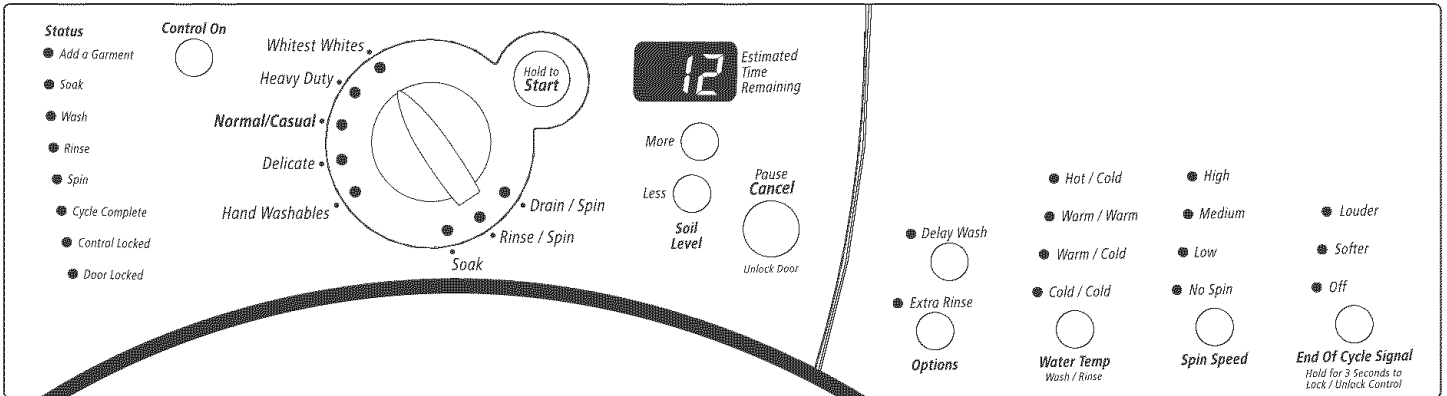
Système de détergent efficace

Cette laveuse est équipée d'une valve spécialement conçue pour se fermer durant l'étape de lavage du programme, ainsi la totalité du mélange de l'eau et du détergent est utilisée sur la charge. Le système de détergent efficace évite tout gaspillage d'eau ou de détergent.

Détection dynamique de déséquilibre

Cette laveuse utilise deux détecteurs pour détecter la taille de la charge et la quantité déséquilibrée dans la charge. Le système de suspension et les commandes sont spécialement conçus pour redistribuer automatiquement la charge.

UTILISATION DE LA LAVEUSE



REMARQUE : Le panneau illustré ci-dessus peut être différent de celui de votre modèle.

Mise en marche de la laveuse

⚠ AVERTISSEMENT



Risque d'incendie

Ne jamais mettre des articles humectés d'essence ou d'autres fluides inflammables dans la laveuse.

Aucune laveuse ne peut complètement enlever l'huile.

Ne pas faire sécher des articles qui ont été salis par tout genre d'huile (y compris les huiles de cuisson).

Le non-respect de ces instructions peut causer un décès, une explosion ou un incendie.

AVERTISSEMENT : Pour réduire le risque d'incendie, de choc électrique ou de blessures corporelles, lire les INSTRUCTIONS IMPORTANTES DE SÉCURITÉ avant de faire fonctionner cet appareil.

Le texte suivant est un guide pour l'utilisation de votre laveuse. Se référer aux sections spécifiques de ce manuel pour des renseignements plus détaillés.

Ne pas remiser des produits de lessive sur le dessus de cette laveuse. La vibration est normale au cours du fonctionnement.

Premier programme de lavage sans linge à laver

Avant de laver le linge pour la première fois, choisir le programme NORMAL/CASUAL (Normal/Tout-aller) et l'exécuter sans linge. Utiliser la moitié de la quantité normale recommandée de détergent à haute efficacité (HE) en poudre ou liquide. Le programme initial sert à assurer que l'intérieur est propre avant de laver le linge.

1. Pour charger la laveuse

Ouvrir la porte de la laveuse en tirant sur la poignée. Trier le linge d'après la couleur et le type de tissu. Placer une charge de linge trié dans la laveuse. Ne pas surcharger la laveuse. Une charge excessive peut causer un piètre nettoyage.

- La laveuse peut être bien remplie, mais le linge ne doit pas être tassé. La porte de la laveuse devrait se fermer facilement.
- Mélanger les gros articles avec les petits articles. Ne pas charger un seul article à la fois. Charger la laveuse uniformément.
- Il est recommandé de laver de petits articles tels que les chaussettes d'enfants dans un sac en filet pour le linge. Il est recommandé d'utiliser plus d'un sac de linge, et de remplir chaque sac avec des quantités similaires.
- Lorsqu'on enlève le linge, vérifier occasionnellement sous le rebord en caoutchouc à l'avant de la cuve pour les petits articles.

2. Fermer la porte de la laveuse en la poussant fermement jusqu'à l'enclenchement qui verrouille la porte. La porte de la laveuse demeurera verrouillée durant le programme de lavage.

REMARQUE : Lorsque tout programme de lavage est achevé, la porte doit être ouverte et ensuite fermée avant qu'un nouveau programme puisse commencer. La porte peut être ouverte seulement si la touche PAUSE/CANCEL (Pause/annulation) est choisie lorsque le témoin lumineux ADD A GARMENT (ajouter un vêtement) s'illumine ou si le programme a été annulé. Voir "Pour annuler un programme".

3. Ouvrir le tiroir du distributeur et ajouter les produits de lessive au compartiment de détergent, d'eau de Javel ou d'assouplissant de tissu. Fermer le tiroir lentement pour éviter les renversements. Voir "Utilisation du distributeur".

REMARQUE : Pour le meilleur rendement, utiliser des détergents à haute efficacité. Le contenant pour ce type de détergent sera marqué "HE" ou "Haute efficacité". L'action de lavage en plus d'une quantité moindre d'eau pourra créer une mousse savonneuse excessive avec un détergent ordinaire.

4. Mettre la laveuse en marche en sélectionnant un des programmes de lavage. Le témoin lumineux pour le programme choisi s'illuminera. Lors de la sélection d'un programme de lavage, les options, la température de l'eau, la vitesse d'essorage et le niveau de saleté pré-réglés s'illumineront. L'affichage montre le temps estimé qui reste. Les réglages pré-réglés fournissent le soin recommandé pour les tissus pour le programme sélectionné. Voir "Programmes".
5. Choisir les **OPTIONS** désirées. Toutes les options ne sont pas disponibles avec tous les programmes. Voir "Options".
6. Choisir les **MODIFIERS** (modificateurs) désirés. Tous les modificateurs ne sont pas disponibles avec tous les programmes et toutes les options. Voir "Modificateurs".
7. Si désiré, choisir **END OF CYCLE SIGNAL** (Signal de fin de programme). Le signal est utile lorsqu'on lave des articles qui devraient être enlevés de la laveuse dès qu'elle s'arrête. Sélectionner **LOUDER** (Plus fort) ou **SOFTER** (Moins fort).
8. **Pour commencer immédiatement le programme de lavage**
Sélectionner **CONTROL ON** (Commande en marche).
 - Si vous ne sélectionnez pas **HOLD TO START** en moins de 5 minutes après avoir choisi un programme, la laveuse s'arrêtera automatiquement.
 - Lorsque le programme de lavage est achevé, le témoin lumineux indiquant **CYCLE COMPLETE** (Programme achevé) s'illumine, la porte se déclenche et la charge de lavage peut être retirée de la laveuse. La laveuse devient désactivée automatiquement 5 minutes après l'achèvement du programme et lorsque le témoin lumineux **CYCLE COMPLETE** (Programme achevé) s'éteint. Pour désactiver la laveuse manuellement après la fin du programme de lavage, sélectionner **PAUSE/CANCEL** (Pause/annulation) une fois.

Utilisation du distributeur

Votre nouvelle laveuse comporte un tiroir distributeur avec trois compartiments séparés pour vos produits de lessive — l'un est pour le détergent, l'un est pour l'eau de Javel et l'un est pour l'assouplissant de tissu liquide. Les produits de lessive sont dilués et distribués automatiquement au moment approprié durant le programme de lavage, ce qui vous évite de retourner à la laveuse durant le programme pour ajouter ces produits.

Il est normal que de petites quantités d'eau demeurent dans les distributeurs lorsque le programme de lavage est complété.

Ne pas placer d'additifs de lessive directement dans la cuve de lavage. Toujours utiliser les distributeurs appropriés lors de l'addition de produits de lessive.

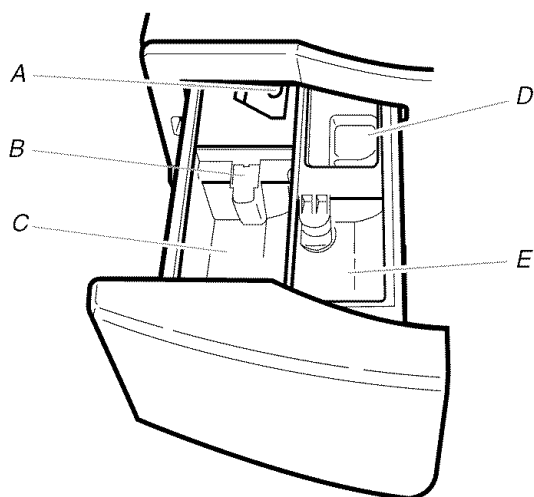
Choix du détergent approprié

Pour le meilleur rendement de lavage, utiliser un détergent à haute efficacité (HE) ou à faible mousse.

Pour remplir les compartiments du distributeur

1. Tirer le tiroir distributeur.
2. Ajouter le produit de lessive désiré dans le compartiment approprié.

3. Pousser soigneusement et complètement à fond le tiroir distributeur (afin d'éviter les déversements).



Distributeur

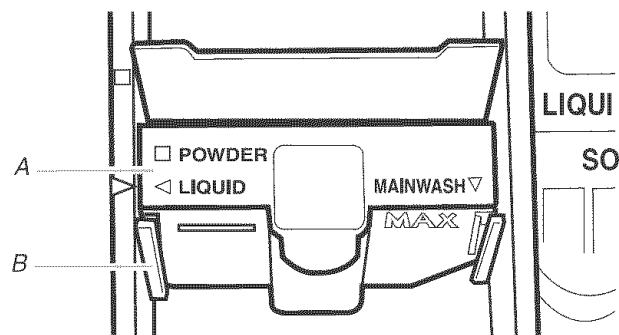
- A. Levier de dégagement des distributeurs
- B. Séparateur
- C. Compartiment pour détergent
- D. Compartiment pour eau de Javel
- E. Compartiment pour assouplissant de tissu

Compartiment pour détergent

(Lettre C dans l'illustration des compartiments)

Ajouter le détergent liquide ou en poudre à ce compartiment pour votre programme de lavage. Le séparateur de détergent doit toujours être en place en avant ou en arrière.

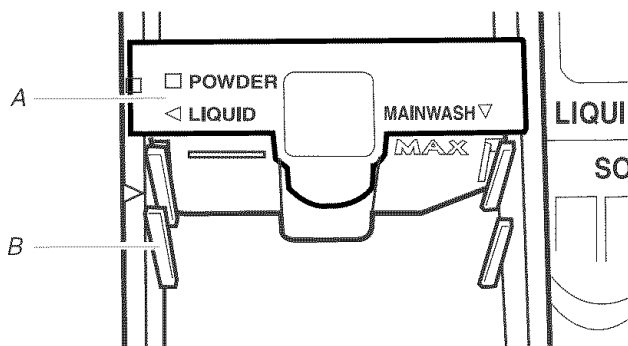
- Ne pas remplir au-delà du niveau "MAX".
- L'eau de javel liquide ou en poudre sans danger pour les couleurs peut être ajoutée au compartiment pour détergent du lavage principal avec le même type de détergent, liquide ou en poudre.
- **Détergent liquide** : Placer le **SÉPARATEUR** à la position avant, entre les guides, tel qu'illustré ci-après. Il n'y aura pas d'écart entre le fond du compartiment pour détergent du cycle de lavage et la base du séparateur.



Séparateur en position avant, entre les guides

- A. Séparateur
- B. Guide

- **Détergent en poudre :** Placer le SÉPARATEUR à la position arrière, derrière les guides, tel qu'illustré ci-après. Il y aura un écart entre le fond du compartiment pour détergent du cycle de lavage et le fond du séparateur.



Séparateur à la position arrière, derrière les guides

A. Séparateur
B. Guide

REMARQUE : Le séparateur est expédié de l'usine en position POWDER (poudre [arrière]).

Compartiment pour eau de Javel

(Lettre D dans l'illustration des distributeurs)

Ne PAS ajouter PLUS DE 1/3 tasse (80 mL) d'eau de Javel dans ce compartiment. L'eau de Javel sera automatiquement diluée et distribuée au moment approprié durant le premier rinçage après le programme de lavage. Ce compartiment ne peut pas diluer un agent de blanchiment en poudre.

- Toujours mesurer l'eau de Javel. Utiliser une tasse à mesurer avec un bec verseur, et éviter l'à-peu-près.
- Ne pas remplir au-delà du niveau "MAX". Le remplissage excessif pourrait causer de sérieux dommages aux vêtements.

Compartiment pour d'assouplissant de tissu

(Lettre E dans l'illustration des distributeurs)

Ajouter 1/4 de tasse (60 mL) d'assouplissant de tissu liquide dans ce compartiment. L'assouplissant sera automatiquement distribué dans le rinçage final.

- Ne pas remplir au-delà du niveau "MAX".

Pause ou remise en marche

1. Pour faire une pause de la laveuse à tout moment, appuyer sur PAUSE/CANCEL (pause/annulation).
2. Pour continuer le programme, appuyer sur HOLD TO START (environ 1 seconde).

Changement de programmes, options et modificateurs

Toutes les options et tous les modificateurs ne sont pas disponibles avec tous les programmes. Les programmes, les options et les modificateurs peuvent être changés à tout moment avant d'appuyer sur HOLD TO START.

Les options et les modificateurs peuvent être changés à tout moment après avoir sélectionné HOLD TO START et avant la mise en marche de l'option ou du modificateur sélectionné.

Pour annuler un programme et sélectionner un nouveau programme

1. Appuyer sur PAUSE/CANCEL deux fois.
2. Sélectionner le programme désiré.

3. Sélectionner les OPTIONS ou MODIFIERS (modificateurs) désirés.

4. Appuyer sur HOLD TO START (environ 1 seconde) pour remettre la laveuse en marche au commencement d'un nouveau programme.

Pour annuler un programme

1. Sélectionner PAUSE/CANCEL deux fois.
2. La laveuse devient désactivée, la porte se déclenche et le linge peut être enlevé.

REMARQUE : Si le niveau d'eau ou la température sont trop élevés, la laveuse se vidangera automatiquement avant que la porte se déclenche.

Pour changer les options ou modificateurs après le commencement d'un programme

1. Appuyer sur PAUSE/CANCEL.
2. Sélectionner les OPTIONS ou MODIFIERS (Modificateurs) désirés.
3. Appuyer sur HOLD TO START (environ 1 seconde) pour continuer le programme.

Pour vidanger la laveuse manuellement

1. Appuyer sur PAUSE/CANCEL.
2. Sélectionner DRAIN/SPIN (Vidange/essorage).
3. Appuyer sur HOLD TO START (environ 1 seconde) pour commencer la vidange.
4. Lorsque l'essorage est achevé, la porte se déclenche. Le linge peut être enlevé de la laveuse.

Témoins lumineux

Ces témoins lumineux montrent quelle portion du programme de la laveuse est en fonctionnement. Ils indiquent aussi quand vous pouvez ajouter un autre article au programme de lavage et quand les commandes sont verrouillées.

Status

- Add a Garment
- Soak
- Wash
- Rinse
- Spin
- Cycle Complete
- Control Locked
- Door Locked

Ajouter un vêtement

La laveuse vous alloue une période de 8 minutes durant laquelle un article oublié peut être ajouté à la charge. Vous pouvez ajouter des articles dans la laveuse si le témoin lumineux ADD A GARMENT (ajouter un vêtement) est allumé.

Pour ajouter des articles

1. Appuyer sur PAUSE/CANCEL. La porte de la laveuse se déclenche et des articles peuvent être ajoutés.
2. Pour continuer le programme, fermer la porte et appuyer sur HOLD TO START (environ 1 seconde).
3. Pour déverrouiller la porte après la période Add a Garment, appuyer sur PAUSE/CANCEL deux fois. Cette action annulera le programme de lavage.

Programme achevé

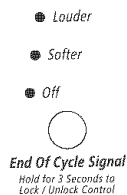
Le témoin lumineux Cycle Complete (Programme achevé) reste illuminé pendant 5 minutes après l'achèvement du programme, et ensuite la laveuse se désactive.

Verrouillage des commandes

Le verrouillage des commandes empêche l'utilisation non intentionnelle de la laveuse. Vous pouvez aussi utiliser la caractéristique de verrouillage des commandes pour empêcher un programme non désiré ou des changements d'option au cours d'un programme. Lorsque CONTROL LOCKED (Commande verrouillée) est allumé, tous les boutons sont désactivés à l'exception de PAUSE/CANCEL (Pause/annulation) et START (Mise en marche). Vous pouvez verrouiller les commandes pendant que la laveuse est en fonctionnement.

Pour verrouiller les commandes

Appuyer sur END OF CYCLE SIGNAL (Signal de fin de programme) pendant 3 secondes.



Le témoin lumineux CONTROL LOCKED s'allume.

Pour déverrouiller les commandes

Appuyer sur END OF CYCLE SIGNAL pendant 3 secondes jusqu'à ce que le témoin lumineux CONTROL LOCKED s'éteigne.

Porte verrouillée

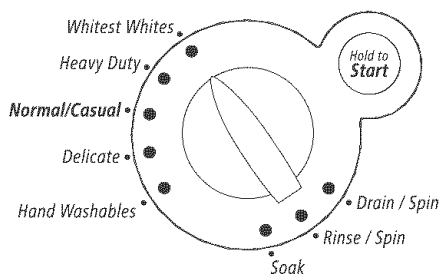
Lorsque le témoin lumineux est allumé, la porte est verrouillée.

Durée résiduelle estimée

La durée d'un programme varie automatiquement d'après la pression de l'eau, la température de l'eau, le détergent et la charge de linge. La durée du programme sera prolongée si une mousse excessive survient ou si la charge est déséquilibrée. L'action corrective SUD (excès de mousse savonneuse) enlève la mousse excessive et assure un rinçage adéquat des vêtements. Au cours de la routine de déséquilibre, la durée du programme affichée peut faire une pause jusqu'à la fin de la caractéristique spéciale puis réinitialiser le programme. La durée estimée restante peut ajouter jusqu'à 1/2 heure à la durée par défaut du programme.

Programmes

Choisir les programmes de lavage en tournant le bouton au programme désiré. Chaque programme est conçu pour des types différents de tissus et de niveaux de saleté.



- Chaque programme comporte un niveau de saleté (temps du programme), une température de l'eau, et une vitesse d'essorage pré-réglés et peut comporter des options pré-réglées. Les réglages pré-réglés fournissent les soins recommandés des tissus pour le programme choisi.

- Les réglages pré-réglés peuvent être changés en tout temps avant d'appuyer sur HOLD TO START (Mise en marche) Toutes les options et tous les modificateurs ne sont pas disponibles avec tous les programmes. (Pour changer les réglages après que le programme a été mis en marche, appuyer sur PAUSE/CANCEL (Pause/annulation), ensuite choisir les réglages désirés. Appuyer sur HOLD TO START pour continuer le programme.)

Whitest Whites (Blancs les plus blancs)

Ce programme est spécialement conçu pour nettoyer des charges de tissus blancs sales, avec l'addition d'eau de Javel. Les températures de lavage à l'eau chaude assurent l'activité idéale de l'eau de Javel. Un rinçage additionnel fournit un rendement idéal de rinçage pour éviter les résidus de chlore sur votre linge. Ce programme combine le culbutage à haute vitesse, un temps de lavage prolongé, et un essorage à haute vitesse pour raccourcir le temps de séchage.

Heavy Duty (Service intense)

Utiliser ce programme pour laver des charges de tissus épais, de couleur ferme, et les vêtements normalement sales. Ce programme combine un culbutage à vitesse rapide, un temps de lavage prolongé, et un essorage à vitesse élevée pour raccourcir les temps de séchage.

Normal/Casual (Normal/Tout-aller)

Utiliser ce programme pour laver des charges de tissus n'exigeant pas de repassage tels que chemises sports, chemisiers, vêtements tout-aller pour le bureau, mélanges de textures à pressage permanent, cotons et lins, ainsi que tissus synthétiques. Ce programme combine le culbutage à vitesse moyenne, l'essorage à haute vitesse, et un procédé de refroidissement de la charge pour réduire le froissement.

Delicate (tissus délicats)

Utiliser ce programme pour laver des tissus délicats et la lingerie. Ce programme combine le culbutage et l'essorage à faible vitesse pour le soin des tissus délicats.

Hand Washables (Articles lavables à la main)

Utiliser ce programme pour laver des articles lavables à la main ou nécessitant des soins spéciaux. Semblable à la façon dont les vêtements sont lavés à la main dans un évier, l'action de lavage de ce programme combine des périodes d'agitation à faible vitesse et des périodes de trempage. L'essorage à faible vitesse réduit le froissement.

Soak (Trempage)

Utiliser ce programme pour enlever les petites taches fixées sur les tissus. Ce programme comporte une période de trempage dans l'eau tiède ou froide suivie d'une vidange. L'eau supplémentaire, la courte phase de culbutage pour une distribution égale de la lessive et une période de trempage sans mouvement du tambour améliorent l'enlèvement des taches fixées. La vidange sans essorage assure un traitement doux, même pour les articles délicats.

Rinse/Spin (Rinçage/essorage)

Utiliser ce programme pour obtenir un rinçage et un essorage seulement. Ce programme combine le culbutage à vitesse élevée et un essorage à vitesse élevée. Si désiré, vous pouvez réduire la vitesse d'essorage en choisissant la vitesse que vous désirez du modificateur SPIN SPEED (Vitesse d'essorage).

Rinse/Spin (Rinçage/essorage) utile pour

- Les charges nécessitant un rinçage seulement.
- L'addition d'assouplissant de tissu à une charge.

Drain/Spin (Vidange/essorage)

Utiliser ce programme pour vidanger votre laveuse ou pour vidanger et essorer votre charge de linge. La vitesse d'essorage est préréglée à élevée. Si vous le désirez, vous pouvez réduire la vitesse d'essorage en choisissant la vitesse que vous désirez du modificateur SPIN SPEED (Vitesse d'essorage.)

REMARQUE: L'eau dans les charges de tissus synthétiques, tissus délicats, articles lavables à la main, et lainages, doit être vidangée sans essorage ou à essorage faible pour éviter d'étirer les tissus.

Réglages préréglés des programmes

Chaque programme a un niveau de saleté (temps de programme), une température de l'eau, et une vitesse d'essorage préréglés. Les réglages préréglés fournissent les soins recommandés des tissus pour le programme choisi. Voir tableau.

Programme	Niveau de saleté (temps du programme)	Température de l'eau	Vitesse d'essorage
Whitest Whites (Blancs les plus blancs)	Normal (1:00)	Hot/Cold (Chaude/Froide)	High (Élevée)
Heavy Duty (Service intense)	Normal (0:50)	Hot/Cold (Chaude/Froide)	High (Élevée)
Normal/Casual (Normal/Tout-aller)	Normal (0:40)	Warm/Cold (Tiède/Froide)	High (Élevée)
Delicate (Tissus délicats)	Normal (0:35)	Warm/Cold (Tiède/Froide)	Medium (Moyenne)
Hand Washables (Lavage manuel)	Normal (0:30)	Cold/Cold (Froide/Froide)	Low (Basse)
Soak (Trempage)	Normal (0:30)	Warm/Cold (Tiède/Froide)	No Spin (Pas d'essorage)
Rinse/Spin (Rinçage/essorage)	Normal (0:21)	Cold/Cold (Froide/Froide)	High (Élevée)
Drain/Spin (Vidange/essorage)	Normal (0:11)	N/A	High (Élevée)

Changement des réglages de programme préréglés

Appuyer sur le sélecteur de chaque réglage jusqu'à ce que le réglage désiré s'allume.

Sons normaux émis par la laveuse

Comme pour tout produit neuf, vous entendrez des sons qui ne vous sont pas familiers. Vous pouvez entendre divers sons lorsque la porte est verrouillée et déverrouillée, et durant le lavage, le rinçage et l'essorage. Entre les changements des actions de lavage, il y aura des pauses momentanées. Vous entendrez l'aspersion et l'éclaboussement de l'eau durant les programmes de lavage et de rinçage. Ces nouveaux sons et pauses font partie du fonctionnement normal de la laveuse.

Options

Vous pouvez personnaliser votre lavage en ajoutant des OPTIONS à vos sélections de programme. Vous pouvez ajouter ou changer l'option après avoir commencé un programme n'importe quand avant que l'option sélectionnée commence. Toutes les options ne sont pas disponibles avec tous les programmes.

● Delay Wash



● Extra Rinse



Options

- Voir "Guide de lessivage" pour un aperçu des options possibles pour chaque sélection de programme de lavage.
- Vous pouvez choisir plus d'une option pour un programme. Certaines options ne peuvent pas être ajoutées à certains programmes.
- Si une option est disponible avec un programme sélectionné, le témoin lumineux pour cette option s'allumera lorsqu'il est sélectionné.
- Si une option n'est pas disponible avec un programme sélectionné, il y aura un bref signal sonore et le témoin lumineux pour cette option ne s'allumera pas lorsqu'il est sélectionné.

Delay Wash (Lavage différé)

Utiliser cette fonction pour reporter le début du programme de lavage.

- Appuyer sur Delay Wash jusqu'à ce que l'heure désirée (en heures) apparaisse sur l'afficheur de durée restante.
- Appuyer sur START. Le compte à rebours avant la mise en marche du programme s'affichera.

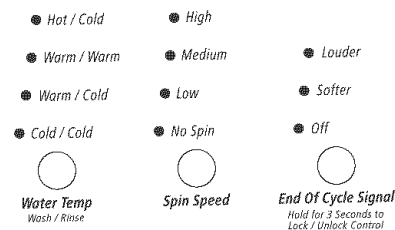
Extra Rinse (rinçage supplémentaire)

Un rinçage supplémentaire peut être utilisé pour assurer l'élimination des résidus de détergent ou des résidus d'eau de Javel des vêtements. Cette option fournit un rinçage additionnel avec la même température d'eau que le premier rinçage.

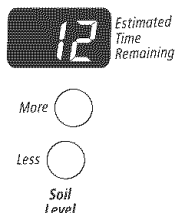
Modificateurs

Les réglages préréglés de programmes de Water Cycle Time (durée du programme) (Température d'eau), Spin Speed (Vitesse d'essorage) et peuvent être changés. Vous pouvez changer un modificateur après la mise en marche d'un programme à tout moment avant que le modificateur choisi commence. Tous les modificateurs ne sont pas disponibles avec tous les programmes et toutes les options.

REMARQUE : Le panneau illustré ci-dessous peut être différent de celui de votre modèle.



- Pour changer la température de l'eau, appuyer sur le bouton WATER TEMP (Température de l'eau) jusqu'à ce que le réglage désiré s'illumine.
- Pour changer la vitesse d'essorage, appuyer sur le bouton SPIN SPEED (Vitesse d'essorage) jusqu'à ce que le réglage désiré s'illumine.
- Pour changer le volume du signal de fin de programme, appuyer sur END OF CYCLE SIGNAL (Signal de fin de programme).



- Pour changer le temps du programme, sélectionner le bouton SOIL LEVEL (Niveau de saleté).

Wash/Rinse Temp (Température de lavage/rinçage)

Sélectionner une température d'eau en fonction du type de charge que vous lavez. Utiliser l'eau la plus tiède favorable au tissu. Suivre les instructions sur l'étiquette du vêtement.

Les rinçages tièdes laissent les charges plus sèches que les rinçages froids. Les rinçages tièdes augmentent le froissement. Dans les climats froids, un rinçage tiède rend la charge plus confortable à manipuler. Les rinçages froids économisent l'énergie.

Guide de température

Température de l'eau de lavage	Tissus suggérés
HOT (Chaude)	Blancs et pastels Saletés intenses
WARM (Tiède)	Couleurs vives Saletés de modérées à légères
COLD (Froide)	Couleurs qui coulent ou s'atténuent Saletés légères

Dans les températures d'eau de lavage plus froides que 70°F (21°C), les détergents ne se diluent pas bien. Les saletés peuvent être difficiles à enlever.

Commande de température automatique ACCUWASH™

La commande ACCUWASH™ détecte et maintient électroniquement une température d'eau uniforme. La commande ACCUWASH régule l'arrivée d'eau chaude et d'eau froide. La commande ACCUWASH est activée automatiquement lors de la sélection d'un programme. Voir "Réglage d'un programme préréglé" dans "Programmes".

- La commande ACCUWASH™ assure un nettoyage consistant.
- La commande ACCUWASH™ fonctionne pour tous les réglages de température de lavage et de rinçage.

Guide de lessivage

Se référer à ce tableau pour des types de charges suggérés et leurs programmes correspondants. À droite se trouvent les options disponibles pour chacun de ces programmes.

PROGRAMME	TYPE DE CHARGE SUGGÉRÉE	DELAY WASH	EXTRA RINSE
Whitest Whites (Blancs les plus blancs)	Tissus blancs sales	✓	✓
Heavy Duty (Service intense)	Sous-vêtements, serviettes, chemises, etc., très sales	✓	✓
Normal/Casual (Normal/Tout-aller)	Chemisiers, chemises, salopettes, etc., fabriqués de polyester, nylon, coton, lin ou mélanges de coton de normalement sales	✓	✓
Delicate (Articles délicats)	Rideaux, vêtements délicats, robes, jupes, chemises et chemisiers dont l'étiquette indique "matières non repassables", "Pressage permanent", "anti-froissement" ou "Programme doux"	✓	✓
Hand Washables (Lavage manuel)	Tissus fabriqués de soie, articles demandant un soin spécial et marqués "Lavable à la main"	✓	✓
Soak (Trempage)	Tissus de coton, lin, polyester ou nylon		
Rinse/Spin (Rinçage/essorage)	Tissus de coton, lin, polyester ou nylon	✓	✓
Drain/Spin (Vidange/essorage)	Tissus de coton, lin, polyester ou nylon		

CONSEILS DE LESSIVAGE

Préparation des vêtements pour le lavage

Suivre les recommandations suivantes pour prolonger la vie de vos vêtements.

- Fermer les fermetures à glissière, les boutons pression et les crochets pour éviter d'accrocher d'autres articles. Enlever les épingles, les boucles et autres objets durs pour éviter d'égratigner l'intérieur de la laveuse. Ôter les garnitures et les ornements non lavables.
- Vider les poches et les retourner.
- Retourner les revers et enlever la charpie et la poussière avec une brosse.
- Retourner les tricots synthétiques pour éviter le boulochage.
- Attacher les cordons et les ceintures-écharpes pour empêcher l'emmêlement.
- Réparer les déchirures, les ourlets et coutures décousus.
- Traiter les taches.
- Les vêtements tachés ou mouillés devraient être lavés sans délai pour obtenir les meilleurs résultats.
- Mélanger les petits articles avec les gros, éviter de laver un article seul et répartir la charge de façon égale dans la laveuse.
- Laver les petits articles, tels que les chaussettes d'enfants, dans un sac en filet pour le linge. Il est recommandé d'utiliser plus d'un sac de linge, et de remplir chaque sac avec des quantités similaires.

Tri

- Séparer les articles très sales des articles légèrement sales, même si on les lave normalement ensemble. Séparer les articles qui forment de la charpie (serviettes, chenille) des articles qui attrapent la charpie (velours côtelé, synthétique, pressage permanent). Dans la mesure du possible, retourner les articles qui forment de la charpie.
- Séparer les couleurs foncées des couleurs claires et les articles grand teint des articles qui déteignent.
- Trier en fonction des tissus et de la confection (cotons solides, tricots, articles délicats).

Déchargement

- Retirer les vêtements de la laveuse une fois que le programme est terminé. Des objets en métal comme les fermetures à glissière, les boutons-pression et les boucles peuvent rouiller si on les laisse longtemps dans le panier de la laveuse.
- Lorsqu'on retire le linge, vérifier de temps en temps sous le pourtour en caoutchouc à l'avant du tambour qu'il n'y ait pas de petits articles coincés.

Chargement

Suggestions de chargement (capacité maximale de charge).

Vêtements de travail

4 jeans	2 survêtements (bas)
4 pantalons	2 survêtements (haut)
4 chemises	

Serviettes

10 serviettes de bain	14 débarbouillettes
10 serviettes à main	

Charges mixtes

3 draps (1 très grand, 2 simples)	9 tee-shirts
4 taies d'oreiller	9 shorts
3 chemises	10 mouchoirs de poche
3 chemisiers	

ENTRETIEN DE LA LAVEUSE

Nettoyage de la laveuse

Nettoyage de l'extérieur

Utiliser une éponge ou un linge doux humide pour essuyer les renversements. Essuyer occasionnellement les surfaces externes de la laveuse pour maintenir son apparence d'appareil neuf. Utiliser un savon doux et de l'eau. Ne pas utiliser de produits abrasifs.

Nettoyage de l'intérieur

Utiliser une éponge ou un linge doux humide pour essuyer de temps à autre l'intérieur de la porte pour enlever tout résidu de détergent. Utiliser un savon doux et de l'eau. Ne pas utiliser de produits abrasifs.

Nettoyage du joint de porte

Utiliser une éponge ou un linge doux humide au besoin. Vérifier le pli du joint périodiquement pour tout objet étranger.

Nettoyage du tiroir distributeur

Le tiroir distributeur est amovible pour faciliter le nettoyage.

1. Dégager le tiroir distributeur en appuyant sur le levier de dégagement. Voir "Utilisation du distributeur". Retirer le tiroir.
2. Enlever les pièces incluses (le siphon des compartiments de l'assouplissant et de l'eau de Javel et le séparateur).
3. Laver les pièces sous l'eau du robinet.
4. Remettre les pièces incluses et remettre le distributeur dans le tiroir.

Tuyaux flexibles d'alimentation de la laveuse

Remplacer les tuyaux d'alimentation après cinq ans d'utilisation afin de réduire le risque de problème avec le tuyau. Inspecter périodiquement et remplacer les tuyaux d'alimentation comportant des renflements, écrasements, coupures, signes d'usure ou fuites.

Lors du remplacement des tuyaux d'alimentation, inscrire la date de remplacement.

Préparation avant les vacances, un entreposage ou un déménagement

Installer et remiser la laveuse à un emplacement où elle ne sera pas exposée au gel. Comme il peut rester un résidu d'eau dans les tuyaux, le gel pourrait endommager la laveuse. Si la laveuse doit faire l'objet d'un déménagement ou de remisage au cours d'une période où la température cause un gel, préparer l'appareil pour l'hiver.

Période d'inutilisation ou de vacances :

Faire fonctionner la laveuse seulement lorsqu'on est présent. Si vous devez partir en vacances ou si vous n'utilisez pas votre laveuse pendant une période prolongée, vous devez :

- Débrancher la laveuse ou déconnecter la source de courant électrique.
- Fermer les robinets d'arrivée d'eau. Ceci évitera le risque d'inondation accidentelle (à l'occasion d'une surpression d'eau) au cours de la période d'absence.
- Ouvrir légèrement la porte pour fournir une ventilation.

Préparation de la laveuse pour l'hiver :

1. Verser 1 pte (1 L) d'antigel de type pour véhicule récréatif, dans le tambour.
2. Faire exécuter à la laveuse un programme DRAIN/SPIN (Vidange/essorage).
3. Débrancher la laveuse ou déconnecter la source de courant électrique.
4. Fermer les deux robinets d'arrivée d'eau.
5. Déconnecter et vider les tuyaux flexibles d'alimentation d'eau.

Avant la réutilisation :

1. Rincer les tuyaux d'arrivée d'eau.
2. Reconnecter les tuyaux flexibles d'alimentation d'eau aux robinets.
3. Ouvrir les deux robinets d'arrivée d'eau.
4. Brancher la laveuse ou reconnecter la source de courant électrique.
5. Faire exécuter à la laveuse un programme complet NORMAL/CASUAL avec ½ de la quantité normale recommandée de détergent pour éliminer l'antigel.

Transport de la laveuse :

1. Si la laveuse sera déménagée pendant une période de gel, verser dans le tambour 1 pte (1 L) d'antigel pour véhicule récréatif. Faire exécuter à la laveuse un programme DRAIN/SPIN.
2. Débrancher le cordon d'alimentation.
3. Déconnecter le tuyau de vidange du système de vidange et le fixer aux pinces du panneau arrière.
4. Fermer les deux robinets d'arrivée d'eau.
5. Déconnecter les tuyaux d'arrivée d'eau des robinets, ensuite vider les tuyaux et les fixer au panneau arrière de la laveuse.
6. **IMPORTANT :** Faire un appel de service. Ne pas réutiliser les boulons de transport. Afin d'éviter d'endommager la suspension ou la structure, l'appareil doit être transporté dans la position verticale.

Réinstallation de la laveuse

1. Suivre les "Instructions d'installation" pour choisir l'emplacement, mettre la laveuse d'aplomb et la connecter.
2. Faire exécuter à la laveuse un programme NORMAL avec ½ de la quantité normale recommandée de détergent pour nettoyer la laveuse et enlever l'antigel, le cas échéant.

DÉPANNAGE

Essayer d'abord les solutions suggérées ici pour éviter possiblement le coût d'une visite de service...

La laveuse affiche un message par code et un signal sonore est émis

■ “FH” (problème d'entrée d'eau - approvisionnement nul ou insuffisant d'eau)

Appuyer deux fois sur PAUSE/CANCEL pour annuler le programme. Débrancher la laveuse ou déconnecter la source de courant électrique.

Vérifier ce qui suit :

Les robinets sont-ils complètement ouverts?

Les tamis à la connexion des tuyaux d'entrée d'eau à la laveuse sont-ils obstrués?

Les tuyaux d'entrée d'eau sont-ils déformés?

Les tuyaux d'entrée d'eau sont-ils gelés?

Brancher la laveuse ou reconnecter la source de courant électrique. Sélectionner de nouveau le programme et appuyer sur HOLD TO START. Si le problème persiste, faire un appel de service.

■ “F02” (problème de vidange)

Appuyer deux fois sur PAUSE/CANCEL pour annuler le programme. Débrancher la laveuse ou déconnecter la source de courant électrique.

Vérifier ce qui suit :

Le tuyau de vidange est-il déformé?

Le tuyau de vidange est-il gelé?

Le tuyau de vidange est-il obstrué?

Le tuyau de vidange est-il à plus de 96 po (2,4 m) au-dessus du plancher?

■ “SUD” (mousse savonneuse)

Lorsqu'une mousse savonneuse excessive est détectée, une action correctrice est mise en marche. Cette action enlève l'excès de mousse et assure le rinçage approprié de votre linge. “SUD” est affiché durant le rinçage et à la fin du programme pour vous informer que l'action correctrice pour la mousse a été activée. Pour éviter une mousse excessive, réduire la quantité de détergent HE utilisée.

■ “F” variables [F4 à F16] (problème électrique)

Appuyer deux fois sur PAUSE/CANCEL pour annuler le programme. Sélectionner DRAIN/SPIN s'il y a un excès d'eau dans la laveuse.

Sélectionner de nouveau le programme et appuyer sur HOLD TO START. Si le problème persiste, faire un appel de service.

La laveuse ne se met pas en marche

■ Vérifier ce qui suit :

Le cordon d'alimentation est-il branché sur une prise à 3 alvéoles reliée à la terre?

La porte de la laveuse est-elle bien fermée?

Un programme a-t-il été choisi sans que l'on appuie sur HOLD TO START pendant une seconde?

La porte a-t-elle été ouverte après l'achèvement du dernier programme?

Absence de remplissage, lavage ou rinçage

■ Vérifier ce qui suit :

Le cordon d'alimentation est-il branché sur une prise à 3 alvéoles reliée à la terre?

La prise de courant est-elle alimentée?

Vérifier la source d'alimentation électrique ou faire venir un électricien.

Les robinets d'eau froide et d'eau chaude sont-ils ouverts?

Le tuyau d'entrée d'eau est-il déformé?

Les tamis de la valve d'entrée d'eau sont-ils obstrués?

La laveuse s'arrête

■ Vérifier ce qui suit :

Le cordon d'alimentation est-il branché sur une prise à 3 alvéoles reliée à la terre?

La prise de courant est-elle activée?

Vérifier la source d'alimentation électrique ou faire venir un électricien.

Un fusible est-il grillé ou le disjoncteur est-il ouvert?

Si le problème persiste, faire venir un électricien.

Une rallonge est-elle employée?

Ne pas utiliser un cordon de rallonge.

Absence de vidange ou d'essorage de la laveuse

■ Le tuyau d'évacuation est-il obstrué, ou l'extrémité du tuyau d'évacuation se trouve-t-elle à plus de 96 po (2,4 m) au-dessus du plancher?

■ La tension est-elle basse?

Vérifier la source d'alimentation électrique ou faire venir un électricien. Ne pas utiliser un cordon de rallonge.

■ L'action de mousse savonneuse “SUD” est-elle active?

Le programme s'achèvera lorsque la mousse excessive est enlevée.

■ La charge est-elle équilibrée?

Un seul article ou un article encombrant peut provoquer un déséquilibre. Ajouter des articles ou redistribuer la charge.

La laveuse fait du bruit ou vibre

■ La laveuse est-elle d'aplomb?

La laveuse doit être d'aplomb. Les quatre pieds doivent être bien installés et les écrous doivent être serrés contre la caisse de la laveuse.

Lorsque l'eau est vidangée de la laveuse, vous pouvez entendre le bruit de la succion de l'air par la pompe. Ceci se produit à la fin de la vidange. Ceci est normal.

■ Lavez-vous des articles avec agrafes en métal, boucles ou fermetures à glissière?

Vous pouvez entendre le bruit d'articles métalliques touchant le tambour de la laveuse. Ceci est normal.

- **La laveuse est-elle installée sur un plancher robuste et solide?**
Se référer aux "Instructions d'installation" pour les exigences de plancher. Le bruit et la vibration peuvent être réduits en plaçant une pièce de ¾" (19,1 mm) de contreplaqué sous votre laveuse. Le contreplaqué peut se prolonger en-dessous de la laveuse et de la sècheuse pour les maintenir à des hauteurs égales.

Fuites d'eau de la laveuse

- **Vérifier la plomberie du domicile pour des fuites.**

Obstruction ou fuite des distributeurs

- **Les produits de lessive sont-ils dans le compartiment correct du distributeur?**
Ajouter les quantités correctes de détergent, d'assouplissant de tissu ou d'eau de Javel aux compartiments corrects. Ajouter l'agent de blanchiment en poudre ou sans danger pour les couleurs au compartiment de détergent. S'assurer d'assortir l'agent de blanchiment en poudre (ou liquide) sans danger pour les couleurs au détergent en poudre (ou liquide).
- **Le séparateur de détergent est-il à la position correcte?**
Le séparateur devrait être à la position avant lors de l'utilisation de détergent liquide et à la position arrière lors de l'utilisation de détergent en poudre.

Charge trop mouillée

- **Avez-vous utilisé le bon programme pour la charge à laver?**
Choisir un programme avec une vitesse d'essorage plus élevée.
- **Avez-vous lavé un seul article, des articles épais ou avez-vous surchargé la laveuse?**
Un seul article, des articles épais, ou une charge excessive peuvent causer un déséquilibre. Ajouter des articles ou essayer de distribuer également votre lessive mouillée dans le tambour, et commencer le programme DRAIN/SPIN (Vidange/Essorage). Si la lessive est encore mouillée, retirer la moitié de la charge de la laveuse et essayer de nouveau.

Résidu ou charpie sur le linge

- **Avez-vous ajouté du détergent au distributeur?**
Pour obtenir les meilleurs résultats, ajouter du détergent au compartiment de détergent. Ne pas ajouter de détergent au tambour de la laveuse.
- **Avez-vous effectué le tri correctement?**
Trier les articles qui forment la charpie (serviettes, chenille) des articles qui attrapent la charpie (velours côtelé, tissus synthétiques). Trier aussi les couleurs.
- **Avez-vous surchargé la laveuse?**
Ne pas surcharger la laveuse. La laveuse peut être remplie complètement, mais le linge ne doit pas être tassé. La charge de lavage doit être équilibrée. Les particules de charpie peuvent être emprisonnées dans la charge s'il y a surcharge.
- **Vérifier ce qui suit :**
A-t-on laissé du papier ou un mouchoir de papier dans les poches?
- **Avez-vous utilisé suffisamment de détergent?**
Suivre les directions du fabricant. Utiliser suffisamment de détergent pour maintenir la charpie en suspension dans l'eau.

- **L'eau de lavage est-elle plus froide que 70°F (21°C)?**
L'eau de lavage plus froide que 70°F (21°C) peut ne pas dissoudre complètement le détergent.
- **Utilisez-vous un programme de lavage à basse vitesse?**
Les détergents en poudre peuvent ne pas bien se dissoudre dans un programme à basse vitesse. Pour les meilleurs résultats, utiliser un détergent liquide pour les programmes à basse vitesse comme Delicate (Tissus délicats) et Hand Washables (Lavage manuel).

Présence de taches sur le linge

- **Avez-vous ajouté du détergent au distributeur?**
Pour les meilleurs résultats, ajouter du détergent au compartiment de détergent. Ne pas ajouter de détergent au tambour de la laveuse.
- **Avez-vous utilisé suffisamment de détergent?**
Utiliser suffisamment de détergent pour enlever la saleté et la tenir en suspension. Pour le meilleur rendement, utiliser le détergent à haute efficacité. Suivre les recommandations du fabricant en fonction du type de charge que vous lavez.
- **La présence de fer (rouille) dans l'eau est-elle supérieure à la moyenne?**
Il vous faudra peut-être faire installer un filtre à fer.
- **Avez-vous bien trié la charge?**
Séparer les articles de teinte foncée des articles blancs ou clairs.
- **Avez-vous déchargé la laveuse promptement?**
Pour éviter le transfert de teinture, décharger la laveuse dès qu'elle s'arrête.
- **Avez-vous utilisé une boule distributrice d'assouplissant de tissu?**
Les boules distributrices ne fonctionnent pas correctement avec cette laveuse. Ajouter un assouplissant pour tissu liquide dans le compartiment d'assouplissant de tissu.
- **Avez-vous utilisé du détergent en poudre dans un programme à basse vitesse?**
Considérer l'utilisation d'un détergent liquide.

Linge froissé

- **Avez-vous déchargé la laveuse promptement?**
Décharger la laveuse dès qu'elle s'arrête.
- **Avez-vous utilisé le bon programme pour la charge à laver?**
Utiliser le programme Delicate (Tissus délicats) ou un autre programme avec une vitesse d'essorage basse pour réduire le froissement.
- **Avez-vous surchargé la laveuse?**
La charge doit être équilibrée et la laveuse ne doit pas être surchargée. Les charges doivent pouvoir culbuter librement durant le lavage.

Blanc grisâtre, couleurs défraîchies

- **Avez-vous bien trié la charge?**
Le transfert de teinture peut se produire lors du mélange d'articles blancs et de couleur dans une même charge. Séparer le linge de teinte foncée des articles blancs ou clairs.
- **La température de lavage est-elle trop basse?**
Utiliser les lavages à l'eau chaude ou tiède si sans danger pour le tissu. S'assurer que votre système d'eau chaude permet d'effectuer un lavage à l'eau chaude.

■ **Avez-vous utilisé suffisamment de détergent, ou avez-vous de l'eau dure?**

Utiliser plus de détergent pour laver la saleté intense à l'eau froide ou à l'eau dure.

Programme trop long

■ **Le mot "SUD" apparaît-il sur l'affichage?**

Un excès de mousse savonneuse a été détecté et une action corrective pour la mousse a été mise en marche pour éliminer l'excès de mousse. Cette action ajoutera du temps au programme original.

■ **La charge a-t-elle provoqué un déséquilibre?**

Lorsqu'il y a un trop grand déséquilibre, une caractéristique spéciale se mettra en marche pour redistribuer la charge. Au cours de la période de rééquilibrage, la durée affichée peut faire une pause jusqu'à ce que l'activité soit achevée, puis reprendre le cours du programme.

■ **Avez-vous choisi un programme délicat pour laver une grosse charge?**

Les programmes Hand Washables (lavables à la main) ou Delicate (articles délicats) fonctionnent mieux avec les petites charges. Cela assure un lavage délicat des vêtements sans augmenter la durée du programme.

Porte verrouillée à la fin du programme de lavage

■ **Est-ce que toute l'eau s'est écoulée de la laveuse durant l'essorage?**

Choisir DRAIN/SPIN (Vidange/essorage) pour enlever toute l'eau qui reste dans la laveuse. La porte de la laveuse se déclenchera à la fin de la vidange.

ASSISTANCE OU SERVICE

Avant de téléphoner pour assistance ou service, veuillez vérifier "Dépannage". Ceci pourrait vous éviter le coût d'une visite de service. Si vous avez encore besoin d'aide, veuillez suivre les instructions ci-dessous.

Lors de l'appel, il faut connaître la date d'achat et les numéros de modèle et de série complets de votre appareil ménager. Ces renseignements nous aideront à mieux répondre à votre demande.

Si vous avez besoin de pièces de rechange

Si vous avez besoin de commander des pièces de rechange, nous vous recommandons d'utiliser seulement des pièces d'origine FSP®. Ces pièces de rechange conviendront et fonctionneront bien parce qu'elles sont fabriquées selon les mêmes spécifications précises utilisées pour construire chaque nouvel appareil électroménager WHIRLPOOL®.

Pour localiser des pièces de rechange FSP® dans votre région :

Aux États-Unis, téléphoner au Centre d'interaction avec la clientèle au **1-800-253-1301**, ou téléphoner à votre Centre de service désigné le plus proche.

Au Canada, composer le **1-800-807-6777**, ou votre Centre de service désigné le plus proche.

Aux États-Unis

Téléphoner au Centre d'interaction avec la clientèle de Whirlpool sans frais au : **1-800-253-1301**.

Nos consultants fournissent l'assistance pour :

- Caractéristiques et spécifications sur notre gamme complète d'appareils ménagers
- Renseignements d'installation
- Procédés d'utilisation et d'entretien
- Vente d'accessoires et de pièces de rechange
- Assistance spécialisée aux clients (langue espagnole, malentendants, malvoyants, etc.)
- Les références aux concessionnaires, compagnies de service de réparation et distributeurs de pièces de rechange locaux

Les techniciens de service désignés par Whirlpool sont formés pour remplir la garantie des produits et fournir un service après garantie partout aux États-Unis.

Pour localiser la compagnie de service désignée par Whirlpool dans votre région, vous pouvez consulter les Pages jaunes de votre annuaire téléphonique.

Pour plus d'assistance

Si vous avez besoin de plus d'assistance, vous pouvez écrire en soumettant toute question ou tout problème à :

Whirlpool Corporation
Customer Interaction Center
553 Benson Road
Benton Harbor, MI 49022-2692

Dans votre correspondance, veuillez indiquer un numéro de téléphone où l'on peut vous joindre dans la journée.

Au Canada

Téléphoner sans frais au Centre d'interaction avec la clientèle de Whirlpool Canada Inc. au :

1-800-461-5681 du lundi au vendredi - de 8 h 00 à 18 h 00 (HNE).
Samedi - 8 h 30 à 16 h 30 (HNE)

Nos consultants fournissent l'assistance pour :

- Caractéristiques et spécifications de notre gamme complète d'appareils électroménagers
- Les références aux concessionnaires locaux

Pour le service au Canada

Composer le **1-800-807-6777**. Les techniciens de service désignés par Whirlpool Canada Inc. sont formés pour satisfaire la garantie des produits et fournissent le service après la garantie, n'importe où au Canada.

Pour plus d'assistance

Si vous avez besoin de plus d'assistance, vous pouvez écrire à Whirlpool Canada Inc. en soumettant toute question ou tout problème au :

Centre d'interaction avec la clientèle
Whirlpool Canada Inc.
1901 Minnesota Court
Mississauga, Ontario L5N 3A7

Veuillez indiquer dans votre correspondance un numéro de téléphone où l'on peut vous joindre durant la journée.

GARANTIE DE LA LAVEUSE WHIRLPOOL®

GARANTIE COMPLÈTE DE UN AN

Pendant un an à compter de la date d'achat, lorsque cette laveuse est utilisée et entretenue conformément aux instructions jointes à ou fournies avec le produit, Whirlpool Corporation paiera pour les pièces de rechange FSP® et les frais de main-d'œuvre pour corriger les vices de matériaux ou de fabrication. Le service doit être fourni par une compagnie de service désignée par Whirlpool.

GARANTIE LIMITÉE DE LA DEUXIÈME ANNÉE SUR TOUS LES TABLEAUX DE COMMANDE ÉLECTRONIQUES

Pour la deuxième année à compter de la date d'achat, lorsque cette laveuse est utilisée et entretenue conformément aux instructions jointes à ou fournies avec le produit, Whirlpool Corporation paiera pour les pièces de rechange FSP® pour tous les tableaux de commande électroniques.

GARANTIE LIMITÉE DE LA DEUXIÈME À LA CINQUIÈME ANNÉE INCLUSIVEMENT SUR LE DESSUS EN PORCELAINE OU TACHETÉ, LA COURROIE ET LES POULIES D'ENTRAÎNEMENT

De la deuxième à la cinquième année inclusivement à compter de la date d'achat, lorsque cette laveuse est utilisée et entretenue conformément aux instructions jointes à ou fournies avec le produit, Whirlpool Corporation paiera pour les pièces de rechange FSP® pour ce qui suit en cas de vices de matériaux ou de fabrication : le dessus en porcelaine ou tacheté (contre l'écaillage et la rouille), la courroie et les poulies d'entraînement.

GARANTIE LIMITÉE DE LA DEUXIÈME À LA DIXIÈME ANNÉE INCLUSIVEMENT SUR LA CUVE EXTÉRIEURE

De la deuxième à la dixième année inclusivement à compter de la date d'achat, lorsque cette laveuse est utilisée et entretenue conformément aux instructions jointes à ou fournies avec le produit, Whirlpool Corporation paiera pour les pièces de rechange FSP® pour la cuve extérieure si elle se fissure ou comporte une fuite d'eau, en cas de vices de matériaux ou de fabrication.

GARANTIE LIMITÉE À VIE SUR LE TAMBOUR DE LAVAGE EN ACIER INOXYDABLE

Pendant la vie de la laveuse, lorsque cette laveuse est utilisée et entretenue conformément aux instructions jointes à ou fournies avec le produit, Whirlpool Corporation paiera pour les pièces de rechange FSP® pour le tambour de lavage en acier inoxydable, en cas de vices de matériaux ou de fabrication.

Whirlpool Corporation ne paiera pas pour :

1. Les visites de service pour rectifier l'installation de la laveuse, montrer à l'utilisateur comment utiliser la laveuse ou remplacer des fusibles ou rectifier le câblage électrique ou la plomberie du domicile.
2. Les réparations lorsque la laveuse est utilisée à des fins autres que l'usage unifamilial normal.
3. Les dommages imputables à : accident, modification, mésusage ou abus, incendie, inondation, actes de Dieu, installation fautive ou en installation non conforme aux codes locaux d'électricité et de plomberie ou utilisation de produits non approuvés par Whirlpool Corporation ou Whirlpool Canada Inc.
4. Les frais de main-d'œuvre au cours des périodes de garantie limitée.
5. Le coût des pièces de rechange et de la main-d'œuvre pour les appareils utilisés hors des États-Unis et du Canada.
6. Le ramassage et la livraison. Ce produit est conçu pour être réparé à domicile.
7. Les réparations des pièces ou systèmes résultant d'une modification non autorisée faite à l'appareil.
8. Au Canada, les frais de voyage ou de transport pour les clients qui habitent dans des régions éloignées.

WHIRLPOOL CORPORATION ET WHIRLPOOL CANADA INC. N'ASSUMENT AUCUNE RESPONSABILITÉ POUR LES DOMMAGES FORTUITS OU INDIRECTS.

Certains États et certaines provinces ne permettent pas l'exclusion ou la limitation des dommages fortuits ou indirects de sorte que cette exclusion ou limitation peut ne pas être applicable dans votre cas. Cette garantie vous confère des droits juridiques spécifiques et vous pouvez également jouir d'autres droits qui peuvent varier d'un État à un autre ou d'une province à une autre.

À l'extérieur du Canada et des 50 États des États-Unis, cette garantie ne s'applique pas. Contacter votre marchand Whirlpool autorisé pour déterminer si une autre garantie s'applique.

Si vous avez besoin de service, consulter d'abord la section "Dépannage". On peut trouver de l'aide supplémentaire à la section "Assistance ou service" ou en téléphonant à notre Centre d'interaction avec la clientèle au **1-800-253-1301**, de n'importe où aux É.-U. ou en écrivant à : Whirlpool Corporation, Customer Interaction Center, 553 Benson Road, Benton Harbor, MI 49022-2692. Au Canada, téléphoner à Whirlpool Canada Inc. au **1-800-807-6777**.

5/01

Conservez ce manuel et votre reçu de vente ensemble pour référence ultérieure. Pour le service sous garantie, vous devez présenter un document prouvant la date d'achat ou d'installation.

Inscrivez les renseignements suivants au sujet de votre laveuse pour mieux vous aider à obtenir assistance ou service en cas de besoin. Vous devrez connaître le numéro de modèle et le numéro de série au complet. Vous pouvez trouver cette information sur la plaque signalétique de votre appareil.

Nom du marchand _____

Adresse _____

Numéro de téléphone _____

Numéro de modèle _____

Numéro de série _____

Date d'achat _____

4619 7022 1751

© 2004 Whirlpool Corporation.
All rights reserved.
Todos los derechos reservados.
Tous droits réservés.

® Registered Trademark/TM Trademark of Whirlpool, U.S.A., Whirlpool Canada Inc.
licensee in Canada

® Marca registrada/TM Marca de comercio de Whirlpool, EE.UU., usada bajo licencia de
Whirlpool Canada Inc. en Canadá

® Marque déposée/TM Marque de commerce de Whirlpool, U.S.A., Emploi Licencié par
Whirlpool Canada Inc. au Canada



4/04
Printed in Germany
Impreso en Alemania
Imprimé en Allemagne