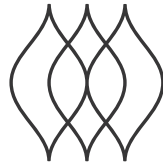


# Bowers & Wilkins



FORMATION **FLEX**

## Welcome to Bowers & Wilkins and Formation Flex.

Thank you for choosing Formation. When John Bowers first established Bowers & Wilkins he did so in the belief that imaginative design, innovative engineering and advanced technology were keys that could unlock the enjoyment of audio in the home. That belief continues to inspire every product we design and in Formation has found its most advanced expression yet.

Formation Flex is a network connected, wireless active speaker that provides extremely high performance reproduction of Formation audio streams. Formation Flex is primarily intended to be configured and controlled using the Bowers & Wilkins Home app. The app is available for both iOS and Android devices. Some commonly used control functions are also available via touch buttons on the Formation Flex top panel. It is only possible to install and configure a Formation Flex using the Bowers & Wilkins Home app.

Formation Flex will enable you to:

- Listen to audio from streaming services like Spotify, Apple Music, and Roon.
- Listen to network stored audio files.
- Listen to audio over Bluetooth from appropriately enabled Bluetooth source devices.
- Listen to audio from devices such as turntables (via a phono preamp) and CD players that are connected to a Bowers & Wilkins Formation Audio.
- Listen to audio, such as Internet Radio, from Airplay or Bluetooth compatible services and apps.
- Listen to audio playing anywhere in your home on any Formation device connected to your home network.

The Bowers & Wilkins Home app is required to connect your Formation Flex to your home network and also to establish a connection with other Formation products in your home. The Bowers & Wilkins Home app also provides some control and configuration functions during use. Before you begin your Formation Flex installation please download and install the Bowers & Wilkins Home app on your iOS or Android device. The Bowers & Wilkins Home app requires iOS V11.4 or later, or Android V8.1 or later. Bluetooth, and WiFi services must be enabled on your iOS or Android device. You will also need to know your WiFi network password.

*Note: Location Services must be enabled on Android devices during the Formation setup process. This is because Formation products use a low power form of Bluetooth (BT-LE) for service communication which on Android devices is only switched on when Location Services are enabled. Bowers & Wilkins do not use any location services data for marketing purposes.*

## 1. Formation Flex Carton Contents

Formation Flex  
Mains power cable set appropriate for your territory  
Document pack

## 2. Installing Your Formation Flex

Formation Flex can be used in a range of situations — as a single mono speaker, as a compact stereo pair, or as rear surround speakers in a 5.1 home theatre setup.

When used as a stereo pair, your Formation Flex should be at least 1m (3ft) apart and a similar distance from the listening area. If the speakers are positioned too close together, the stereo reproduction may lack scale; if they are too far apart, the stereo focus may be weak. There is no need to angle your Formation Flex inwards towards the listening area however doing so may tighten the stereo focus. Diagram 1 illustrates basic speaker positioning.

When used as rear speakers in a 5.1 home theatre configuration, your Formation Flex should be placed as close to 120 degrees from the front centre speaker as possible, as shown in Diagram 2.

Your Formation Flex requires a mains power supply to operate so must be located within reach of a mains socket. If your Formation Flex is to use a wired connection to your home network it will need to be located within reach of an appropriate network (Ethernet) cable.

If you decide to place your Formation Flex on a shelf, ensure that the shelf is easily able to support the weight.

Like the vast majority of speakers, your Formation Flex radiates sound energy not only forward but also to the side and rear. Consequently, if your Formation Flex is positioned close to room boundaries, or particularly in a corner, bass may become over emphasised. If you find that bass from your Formation Flex is too prominent, moving it to an alternative position may be beneficial, however you can also adjust the bass level via the Bowers & Wilkins Home app Settings menu.

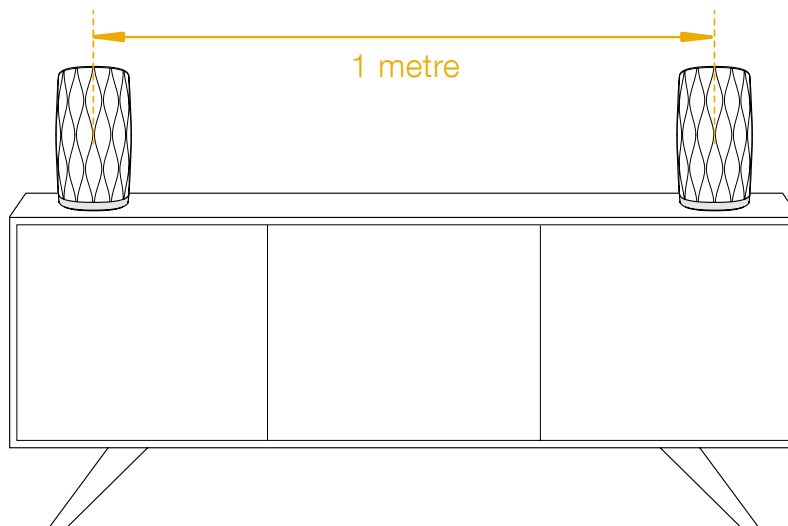


Diagram 1  
Stereo positioning

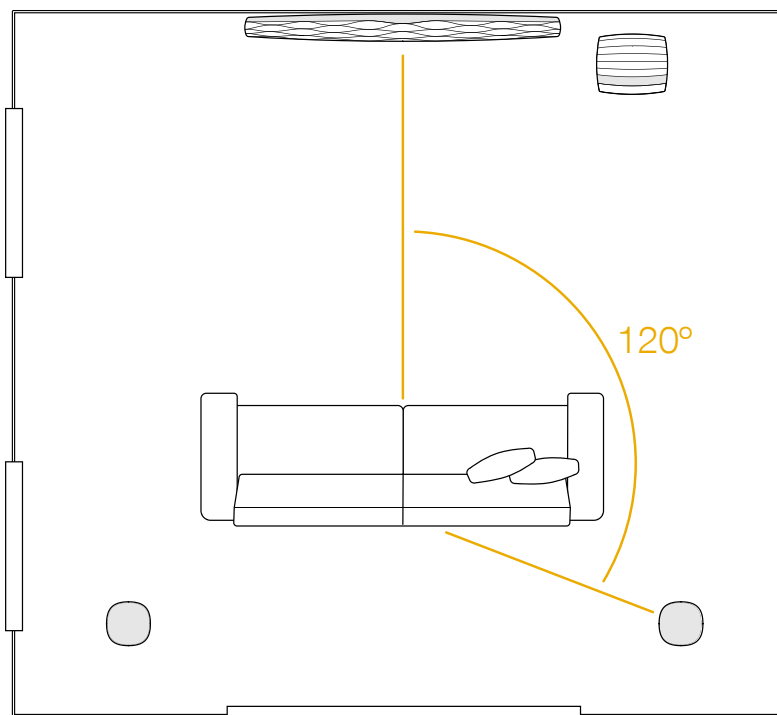


Diagram 2  
Home theatre positioning

## Connections

In addition to a mains power socket **1**, your Formation Flex carries an Ethernet socket **2** for connection to a router should a wired network connection be preferred to wireless (WiFi).

*Note: The USB socket located on the Formation Flex rear panel is intended for service and diagnostic use only. It cannot be used for any other purpose.*

## Switch On and Off

With all connections made, and the Bowers & Wilkins Home app installed on your mobile device, your Formation Flex is ready to be setup. Your Formation Flex has no mains power switch and, following a short start-up routine, will be operational as soon as it is connected to mains power. It will play an audio prompt when its startup routine is complete.

When a Formation Flex that has not been previously used is first switched on it will automatically enter setup mode to enable its connection to your home network and to any other available Formation devices. Setup mode is indicated by a slow amber pulse illumination of the Form touch button **3**. The Formation Flex will also appear in the Bowers & Wilkins Home app as available for set up, either on the initial app page, or after selecting 'Add Formation product' from the app Settings page.

Your Formation Flex manages its operational state and power consumption entirely automatically and will switch to a power saving mode after twenty minutes of inactivity. There is no need ever to switch off your Formation Flex, however should you wish to do so, simply disconnected it from mains power. Your Formation Flex will retain its settings without mains power.

You can restart a Formation Flex by a short press and release of the reset button **3** located on its rear panel. Pressing the button will switch the Formation Flex off and on again. All settings will be retained when your Formation Flex restarts. You can also restart your Formation Flex via the Bowers & Wilkins Home app Settings page.

If you wish to reset your Formation Flex to its default settings, press and hold the reset button for five seconds. On restart, your Formation Flex will enter setup mode. All settings will be deleted when your Formation Flex resets. You can also reset your Formation Flex via the Bowers & Wilkins Home app Settings menu.

## Network Setup

- With your Formation Flex in setup mode, with its Form button **3** illumination pulsing slowly amber, launch the Bowers & Wilkins Home app on your iOS or Android device. The app will guide you with prompts through the setup process.

*Note: Formation Flex employs a Bluetooth connection to the device running the Bowers & Wilkins Home app during the setup process. Bluetooth signals have a relatively short range and can be interrupted by room boundaries, so we recommend that your Formation Flex and Bowers & Wilkins Home app device remain in close proximity during the setup process.*

- The Bowers & Wilkins Home app will first search for Formation products in setup mode and display a screen inviting the selection of one. Tap to select your Formation Flex. If you have already set up a Formation product and are adding an additional one, select 'Add Formation product' from the app Settings menu.
- The Bowers & Wilkins Home app will next invite you to name the "Space" in which your Formation Flex is to be used. A list of default Space names is provided but you can also create your own. When you have selected, or created, a space name, the app will ask you to touch the Form button **3** on the top of your Formation Flex to confirm the selection.
- If a wireless network connection for your Formation Flex is to be used, the next setup stage will connect your Formation Flex to your home WiFi network. The app will ask you to confirm the correct WiFi network and ask you to input its password. Alternatively, if your Formation Flex is connected to your network router using an Ethernet cable, this stage of the setup process will be bypassed.
- With WiFi network configuration, and Space selection complete, your Formation Flex is ready for use. Your Formation Flex will play an audio prompt to confirm successful set up.

## Bluetooth Setup

You can connect your Formation Flex to a Bluetooth enabled audio source device, such as a smartphone, to play audio over Bluetooth. Your Formation Flex must first be "paired" with the Bluetooth audio source device.

Once you have completed the Formation Flex network setup, open the Bowers & Wilkins Home app Settings page, and select the Formation Space that you wish to pair a Bluetooth device with. Next select '+ Pair a new device' from the Bluetooth menu and follow the app instructions to complete pairing. Your Formation Flex will play an audio prompt when pairing is complete and its Space will become available to the paired Bluetooth device for audio playback.

*Note: Up to eight Bluetooth devices can be simultaneously paired with each Formation space, however devices will not connect and play to paired spaces automatically.*

*Note: If you already have other Formation products connected to your WiFi network, Formation Flex setup will not require you to input the WiFi password.*

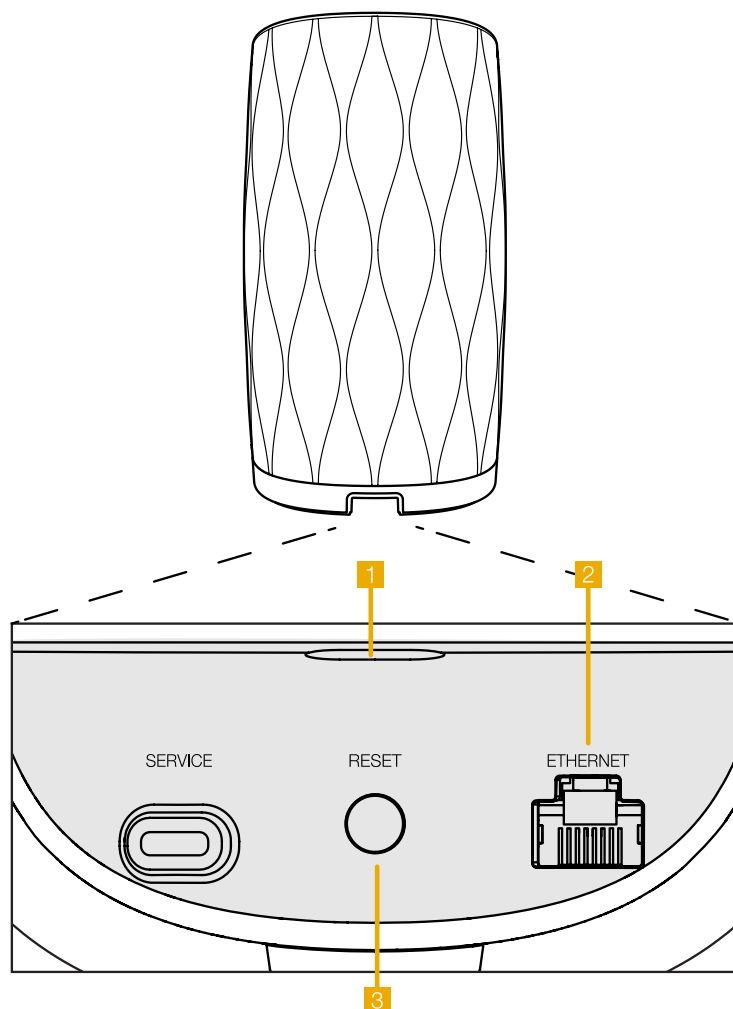


Diagram 3  
Formation Flex connection panel

### 3. Using Your Formation Flex

#### The Basics


You can use your Formation Flex to play audio from streaming services such as Spotify, Apple Music, and Tidal, from the Roon music library service and from internet radio via an appropriate iRadio app. If you have further Formation devices connected to your network, a Formation Audio for example, conventional audio sources connected to it will also be available through your Formation Flex.

#### Spaces

Spaces are a core concept of the Formation product family. A Formation “space” is a room or a specific area in your home in which you listen to music. Each space can include different combinations of Formation products. The possible configurations are displayed in the Diagram 4.

#### Playing Audio

The Bowers & Wilkins Home app enables you to select and play any available audio source or stream. However, in much the same way that conventional audio source playback requires initiation through a play command, Formation streams must be first initiated through their own gateway app: the Spotify app for example, or a music library app such as Roon. Each gateway or library app will list your Formation Flex space as an available playback device using Airplay, Bluetooth or in the case of Spotify, Spotify Connect.

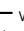
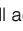
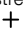
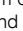

Once audio streams are playing on the Formation network they can be selected via the Bowers & Wilkins Home app or via the Formation Flex top panel Form touch button . Touching the Form button will cycle through the available streams and sources.

#### Formation Flex Top Panel Controls

Your Formation Flex has touch buttons on its top panel that provide play/pause control, volume adjustment and source/stream selection.

- Touching the Play/Pause  will alternately stop and restart audio playback.

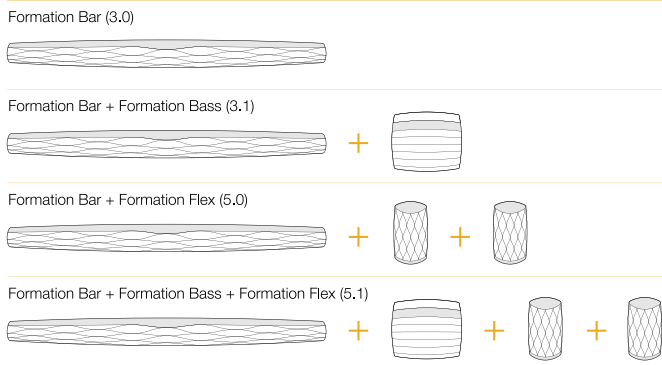
*Note: Play/pause will only operate if the stream source has play and pause functions that can be accessed through Bluetooth or network connections.*

- Touching volume up  or down  will adjust the local volume of any network stream or local source. Pressing and holding the  and  buttons will continuously increase or decrease volume.
- Touching the Form button  will cycle through and play the active streams and sources available to the Formation Flex.

#### Form Button Illumination

The Formation Flex Form button illumination changes to indicate a variety of operational states. The illuminations are displayed in Diagram 5.

#### TV Space configurations



#### Music Space configurations

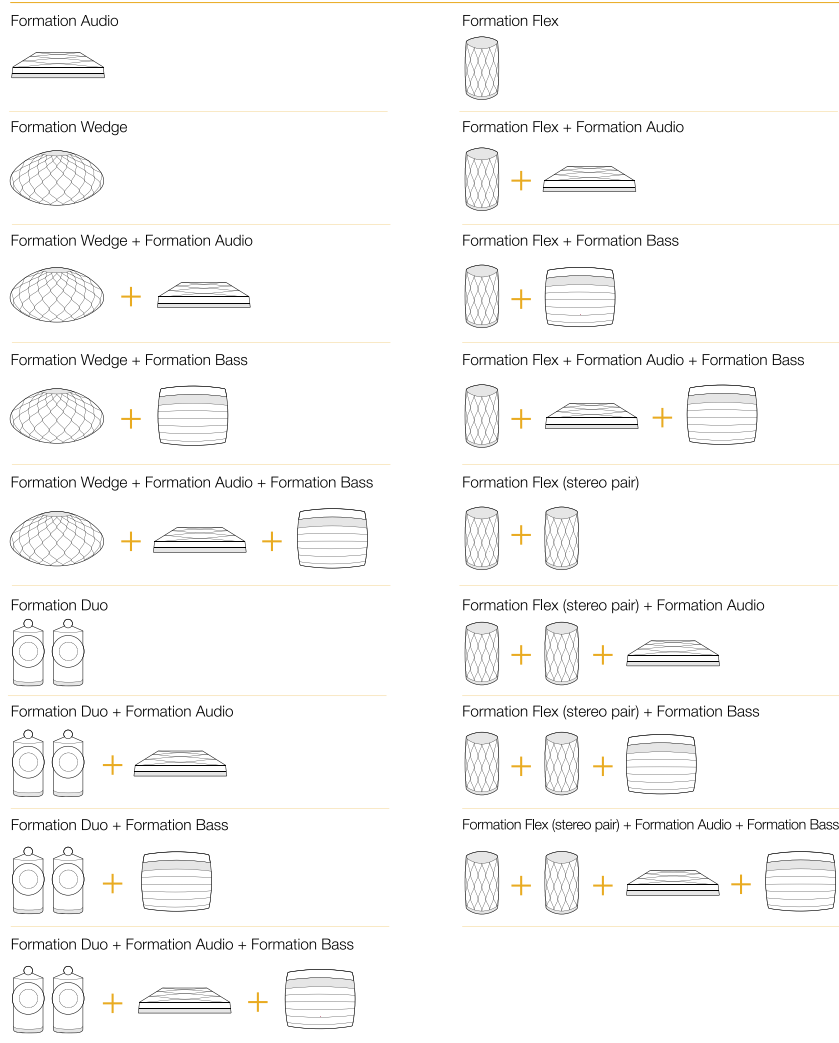


Diagram 4  
Space configurations



## 4. The Bowers & Wilkins Home App

With your Formation Flex configured and connected to your network, the Bowers & Wilkins Home app will open to its Home screen where the Formation Flex space and any other available Formation spaces will be listed.

Tap on a Formation Space to select from any available streams or inputs. If there are no streams available, open a streaming app, Spotify for example, and select an item to play, then select the Formation Space from the list of available playback devices. Now, when you return to the Bowers & Wilkins Home app, the Spotify stream will be listed on the Formation Flex Space page.

The Bowers & Wilkins Home app Home page has a Settings icon in the top right corner. Tap the icon to open the app Settings menu. The Settings menu provides options to configure and reset your Formation devices and re-name your Formation Spaces. App and Formation device firmware updates are also initiated from the Settings menu.

### Finding Your Way Around the Bowers & Wilkins Home App

The Bowers & Wilkins Home app will search for available Formation Spaces when opened then display its Home page with the Spaces listed.

Beneath each Space the app will display its current activity. Tapping on an active Space will open a "now playing" screen that enables volume and play/pause control.

The 'now playing' screen also provides an 'Available Spaces' option that enables the stream playing in the selected Space to be transferred to another Space or played in multiple Spaces. The 'Available Spaces' screen also provides the opportunity to control volume, both globally across all Spaces, or in individual Spaces.

The Bowers & Wilkins Home app Settings page is opened by tapping on the settings icon. The initial Settings menu lists each space and the number of Formation devices present in each one.

Tapping on a Space listed in the Settings menu provides access to its Space and Formation device settings. Tap the Space name to access the Space settings and tap the device name to access the device settings. The device settings available will depend on the device in question.

*Note: If the Settings icon on the Bowers & Wilkins Home app displays a yellow dot this indicates that a Formation firmware update is available. The firmware update process is initiated from the Settings menu. You should always aim to keep the Bowers & Wilkins Home app and your Formation devices up to date with the latest version and firmware. Not only will this help ensure the most reliable performance, it will ensure that you benefit from new Formation features.*

## 5. Formation Music Streams and Sources

### Using Spotify

Use your phone, tablet or computer as a remote control for Spotify. Go to [spotify.com/connect](https://spotify.com/connect) to learn how.

The Spotify Software is subject to third party licenses found here: <https://www.spotify.com/connect/third-party-licenses>.

### Using Airplay

Airplay enables audio apps on Apple mobile, laptop or desktop devices to stream material over a network to Airplay compatible speakers such as Formation Flex. Airplay enabled apps will display the Airplay icon.

To use Airplay, open the audio app you wish to use and select the music you wish to play. Tap on the Airplay icon to display a list of available devices followed by the Formation Space you wish to use.

*Note: It is possible to stream audio via Airplay on multiple devices simultaneously, however the playback quality and synchronisation may then depend on the capabilities of your home network. If you wish to play material simultaneously in more than one Formation space, synchronization can be greatly improved by selecting multiple spaces through the Bowers & Wilkins Home app.*

### Using Roon

Roon is a feature rich music library and playback app that compiles all the music files available to your network and makes them easily available to play across all your Formation Spaces and any other Roon enabled audio devices. Roon is available for mobile, laptop or desktop devices.

When you open Roon it will display your complete audio library together with its metadata and artwork along with all the Formation Spaces and any other available network audio devices. Simply select the music you wish to play and Formation space in which you want to hear it.

*Note: It is possible to stream audio from Roon on multiple devices simultaneously, however the playback quality and synchronisation may then depend on the capabilities of your home network. If you wish to play material simultaneously in more than one Formation space, synchronization can be greatly improved by selecting multiple spaces through the Bowers & Wilkins Home app.*

## Using Bluetooth

Bluetooth enables audio apps on mobile, laptop or desktop devices to stream material over a wireless connection to compatible hardware such as the Formation Flex.

To use Bluetooth, ensure that the required Formation Space is selected in your device Bluetooth settings menu, open the audio app you wish to use and select the music you wish to play. Tap on the playback devices icon to display a list of those available followed by Formation Space you wish to use.

## 6. Cleaning

Should your Formation Flex need cleaning you can wipe its top surface with a clean, lint-free cloth and brush its grille with a soft brush. If you wish to use any cleaning fluid, apply it onto the cleaning cloth and not directly onto the Formation Flex. Test a small area first, as some cleaning products may damage some of the surfaces. Avoid products that are abrasive, or contain acid, alkali or anti-bacterial agents.

## 7. Support

Should you require further help or advice regarding your Formation Flex please visit the Formation support site here [www.bowerswilkins.com/support](http://www.bowerswilkins.com/support).

### Environmental Information

This product complies with international directives, including but not limited to the Restriction of Hazardous Substances (RoHS) in electrical and electronic equipment, the Registration, Evaluation, Authorisation and restriction of Chemicals (REACH) and the disposal of Waste Electrical and Electronic Equipment (WEEE). Consult your local waste disposal authority for guidance on how properly to recycle or dispose of this product.

Indicator	Operational state
Flashing white	Start-up in progress
Pulsing amber	Ready for setup
Flashing amber	Firmware update in progress
Pulsing white	Audio pull in progress
Pulsing red	Error - contact support
Solid red	Error - contact support
Flashing red	Factory reset in progress

Diagram 5  
Form button illuminations

## Bienvenue chez Bowers & Wilkins et à Formation Flex.

Merci d'avoir choisi Formation. Quand John Bowers a créé Bowers & Wilkins, il l'a fait avec la conviction qu'une conception imaginative, une ingénierie innovante et une technologie de pointe étaient les clés qui pourraient libérer le plaisir de l'audio à domicile. Cette conviction continue d'inspirer chaque produit que nous concevons et, avec Formation, elle atteint un niveau d'expression inégalé à ce jour.

Formation Flex est une enceinte acoustique active connectée sans fil qui offre de très hauts niveaux de performances dans la restitution des flux audio Formation. Formation Flex est configurée et pilotée au moyen de l'application Bowers & Wilkins Home. L'application est disponible pour iOS et pour les appareils Android. Certaines fonctions de contrôle couramment utilisées sont également disponibles via des boutons situés sur le panneau avant de Formation Flex. Pour mettre en œuvre et pour configurer Formation Flex, il est nécessaire d'utiliser l'application Bowers & Wilkins Home.

Formation Flex vous permettra :

- D'écouter des flux audio à partir de services de streaming comme Spotify, Apple Music et Roon.
- D'écouter des fichiers audio stockés sur le réseau.
- D'écouter un flux audio via Bluetooth à partir d'appareils sources Bluetooth actifs et correctement configurés.
- D'écouter un flux audio à partir d'appareils tels qu'une platine vinyle (via un préamplificateur) ou un lecteur CD connectés à un Formation Audio Bowers & Wilkins.
- D'écouter de la musique, comme des radios Internet, via Airplay ou à partir de services et applications Bluetooth.
- D'écouter de la musique où que vous soyez dans votre maison et sur n'importe quel appareil Formation connecté à votre réseau domestique.

L'application Bowers & Wilkins Home est nécessaire pour connecter votre appareil Formation Flex à votre réseau domestique ainsi que pour établir la connexion avec d'autres appareils Formation se trouvant dans votre maison. L'application Bowers & Wilkins Home offre également des fonctions de contrôle et de configuration pendant son utilisation. Avant de commencer l'installation de votre appareil Formation Flex, téléchargez et installez l'application Bowers & Wilkins Home sur votre appareil iOS ou Android. L'application Bowers & Wilkins Home nécessite iOS V11.4 ou supérieur, ou Android version 8.1 ou supérieur. Les services Bluetooth et Wifi doivent également être activés sur votre appareil iOS ou Android. Vous aurez également besoin de connaître le mot de passe de votre réseau Wifi.

*Remarque : le service de géolocalisation doit être activé pour les appareils Android lors de la procédure d'installation de votre produit Formation. En effet, les produits Formation utilisent pour communiquer une connexion Bluetooth de faible puissance (BT-LE) qui, sur les appareils Android, n'est active que lorsque le service de géolocalisation est actif. Bowers et Wilkins n'utilisera pas vos données de géolocalisation à des fins marketing.*

## 1. Contenu du carton de Formation Flex

Formation Flex  
Câble d'alimentation adapté à votre pays  
Ensemble de documents

## 2. Installer votre Formation Flex

Formation Flex peut être utilisée dans une large variété de situations : en tant qu'enceinte mono unique, ou par paire pour constituer un système stéréo compact ou les deux enceintes arrières surround d'un système home-cinéma 5.1.

Lorsqu'elles sont utilisées par paire stéréo, vos enceintes Formation Flex devront être disposées à au moins 1 mètre l'une de l'autre, et à une distance similaire de la zone d'écoute. Si les enceintes sont placées trop près l'une de l'autre, la reproduction stéréo risque de manquer d'ampleur. A l'inverse, si elles sont trop éloignées, les effets stéréo pourront être limités. Il n'est pas nécessaire d'orienter les enceintes Formation Flex vers l'intérieur de la zone d'écoute : en faisant cela, vous risquez de diminuer la taille de la zone d'écoute idéale (là où les effets stéréo sont optimaux). La Figure 1 illustre les bases du positionnement de vos enceintes Formation Flex.

Quand elles sont utilisées en tant qu'enceintes arrières dans une configuration home-cinéma 5.1, vos enceintes Formation Flex devront à l'idéal être placées selon un angle de 120 degrés par rapport aux enceintes avant, comme indiqué sur le Schéma 2.

Votre enceinte Formation Flex requiert une alimentation secteur pour fonctionner, Elle doit être par conséquent placée à proximité d'une prise secteur. Dans le cas où vous souhaiteriez utiliser une connexion réseau de type filaire, vous devrez aussi la placer à proximité du routeur/switch de votre réseau domestique.

Si vous choisissez de disposer votre Formation Flex sur une étagère, assurez vous que l'étagère soit capable de supporter son poids sans difficulté.

Comme la grande majorité des enceintes acoustiques, votre Formation Flex restitue son énergie sonore non seulement vers l'avant mais aussi sur le côté et vers l'arrière. Par conséquent, si vous placez votre enceinte Formation Flex trop près des murs de la pièce, particulièrement dans un angle, le niveau de grave pourrait être amplifié. Si vous trouvez le niveau de graves de votre Formation Flex trop élevé, essayez de la changer de place dans la pièce. Toutefois, vous pourrez ajuster le niveau de graves via l'application Bowers & Wilkins Home, dans le menu Settings.

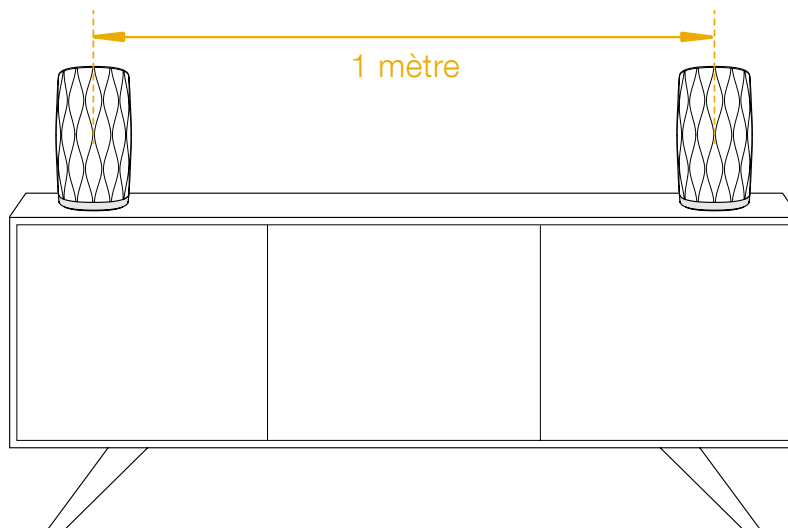


Figure 1  
Positionnement stéréo

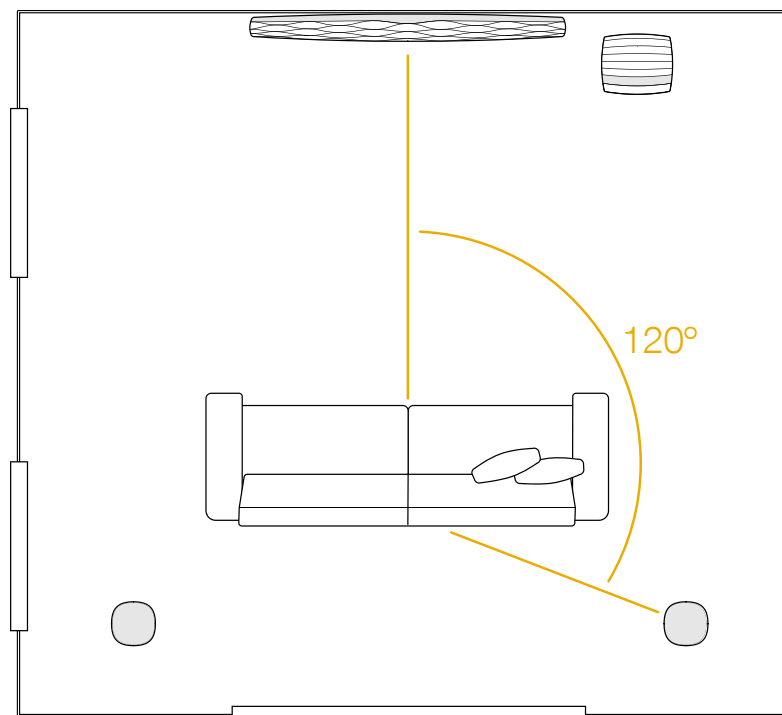


Figure 2  
Positionnement home-cinéma


## Connexions

En plus de la prise secteur **1**, votre Formation Flex est dotée d'une prise Ethernet **2**, si vous souhaitez utiliser une connexion filaire en lieu et place d'une connexion Wifi.

*Remarque : la prise USB située sur le panneau arrière de Formation Flex est destinée à une utilisation de type service et/ou diagnostic. Elle n'a aucun autre usage.*

## Mettre sous tension et hors tension

Lorsque tous les branchements ont été établis, et que l'application Bowers & Wilkins Home a été installée sur votre appareil mobile, votre appareil Formation Flex est dès lors prêt à être configuré et utilisé. Votre appareil Formation Flex n'a pas d'interrupteur d'alimentation et après une courte phase de démarrage, il est opérationnel dès qu'il est connecté au secteur. Il émettra un signal sonore lorsque la phase de démarrage sera terminée.

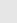
Suite à sa première mise sous tension, votre système Formation Flex passe automatiquement en mode de configuration permettant d'activer sa connexion à votre réseau domestique ainsi qu'à tout autre appareil Formation disponible. Le mode de configuration est confirmé par le clignotement lent en orange de la touche tactile Form . Votre système Formation Flex va également apparaître dans l'application Bowers & Wilkins Home. Il sera précisé qu'il est disponible pour la configuration, soit au niveau de la page initiale de l'application, soit après avoir sélectionné « Add Formation product » au niveau de la page Settings de l'application.

Votre Formation Flex gère de façon entièrement automatique son état de fonctionnement et sa consommation d'énergie. Il passera en mode d'économie d'énergie après vingt minutes d'inactivité. Il ne sera jamais nécessaire de le mettre hors tension, cependant, si vous souhaitez le faire, il suffira de le débrancher du secteur. Votre appareil Formation Audio conservera tous ses paramètres, même sans alimentation secteur.


Vous pouvez redémarrer votre produit Formation Flex en appuyant brièvement sur le bouton de réinitialisation « reset » situé sur le panneau arrière **3**. En appuyant sur ce bouton, votre appareil va effectuer un cycle arrêt/marche. Tous les paramètres seront conservés à l'issue du redémarrage de votre Formation Flex. Vous pouvez également redémarrer votre appareil Formation Flex via l'application Bowers & Wilkins Home, page « Settings ».

Si vous souhaitez réinitialiser votre appareil Formation Flex et rétablir ses paramètres par défaut, maintenez enfoncé le bouton de réinitialisation pendant cinq secondes. Après redémarrage, votre produit Formation Flex passera en mode configuration. Suite à la réinitialisation, tous les réglages seront supprimés et ramenés à leurs valeurs par défaut. Vous pouvez également réinitialiser votre Formation Flex via l'application Bowers & Wilkins Home, Menu « Settings ».

## Configuration du réseau

- Votre appareil Formation Flex étant en mode de configuration, avec la touche Form  en mode clignotant lent orange, lancez l'application Bowers & Wilkins Home sur votre appareil iOS ou Android. L'application vous guidera pas à pas au travers de la procédure d'installation.

*Remarque : Formation Flex utilise une connexion Bluetooth avec l'appareil où s'exécute l'application Bowers & Wilkins Home. Le signal Bluetooth ayant une portée relativement courte et pouvant être perturbé ou coupé par les murs de la pièce, nous vous recommandons que votre appareil Formation Flex et le périphérique où est l'application Bowers & Wilkins Home restent à proximité pendant toute la procédure d'installation.*

- En mode configuration l'application Bowers & Wilkins Home effectuera d'abord une recherche d'autres produits Formation et affichera un écran vous invitant à en sélectionner un. Appuyez pour sélectionner votre appareil Formation Flex. Si vous avez déjà mis en œuvre un autre appareil Formation et que vous souhaitez en ajouter un, sélectionnez « Ajouter un produit Formation » depuis l'application, Menu « Settings ».
- L'application Bowers & Wilkins Home vous invitera ensuite à donner un nom à « l'espace » dans lequel votre appareil Formation Flex sera utilisé. Une liste de noms d'espaces par défaut est proposée, mais vous pouvez aussi créer le vôtre. Lorsque vous avez sélectionné ou créé un nom d'espace, l'application vous demandera de presser le bouton Form  situé sur la face avant de votre appareil Formation Flex pour confirmer la sélection.
- Si vous souhaitez utiliser une connexion réseau sans fil pour votre produit Formation Flex, la prochaine étape va vous permettre de connecter votre appareil Formation Flex à votre réseau Wifi domestique. L'application vous demandera de confirmer le nom de votre réseau Wifi et de saisir son mot de passe. Alternativement, si votre appareil Formation Flex est connecté à votre routeur réseau à l'aide d'un câble Ethernet, cette étape du processus d'installation sera ignorée.

*Remarque : Si vous disposez déjà d'autres produits Formation connectés à votre réseau Wifi, le processus de configuration de votre produit Formation Flex ne vous demandera pas de rentrer le mot de passe de votre réseau sans fil.*

Lorsque vous aurez terminé la configuration réseau de votre Formation Flex, ouvrez l'application Bowers & Wilkins Home, allez dans la page Settings, et sélectionnez l'espace Formation dans lequel vous souhaitez associer un appareil Bluetooth. Puis sélectionnez « + Pair a new device » à partir du menu Bluetooth et suivez les instructions de l'application pour terminer le jumelage. Votre Formation Flex émettra un son de confirmation lorsque le jumelage sera terminé. L'espace choisi sera alors disponible pour la lecture audio via le périphérique Bluetooth précédemment jumelé.

*Remarque : il est possible de jumeler simultanément jusqu'à huit périphériques Bluetooth à chaque espace Formation. Cependant, les périphériques en question ne se connecteront pas et ne pourront pas diffuser de flux dans les espaces jumelés de façon automatique.*

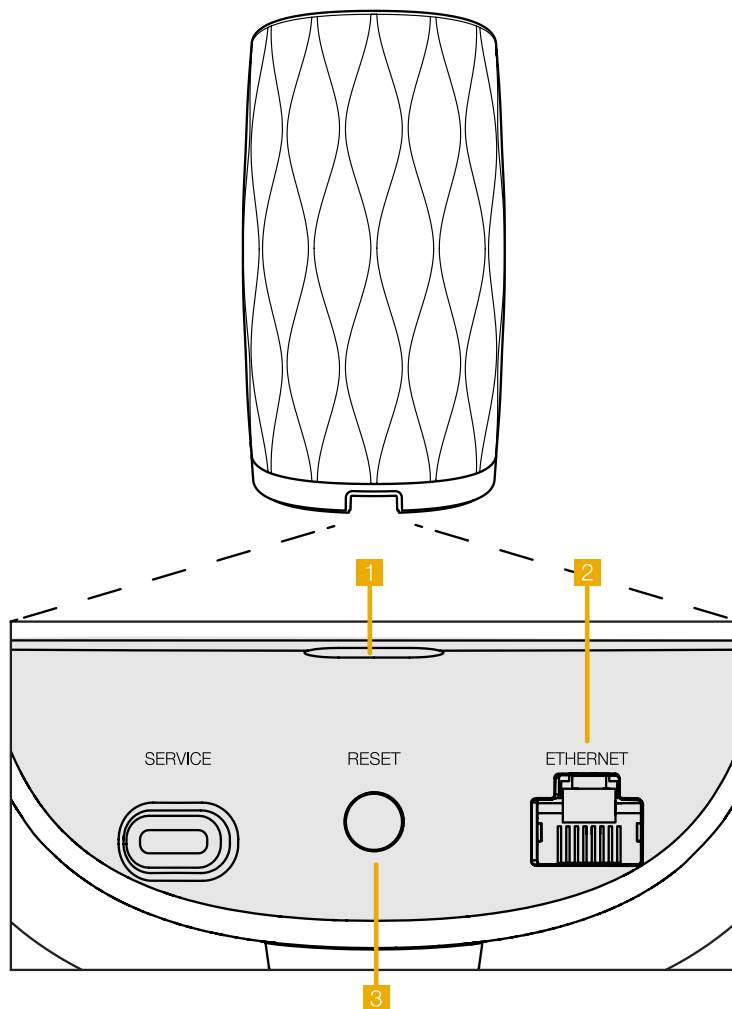


Figure 3  
Panneau de connexion de Formation Flex

### 3. Utilisation de votre Formation Flex

#### Les principes


Vous pouvez utiliser Formation Flex pour lire un flux audio issu de sources conventionnelles, de services de streaming tels que Spotify, Apple Music et Tidal, du service de librairie musicale Roon et de radios Internet via une application appropriée iRadio. Si vous avez d'autres appareils Formation connectés à votre réseau, comme un Formation Audio par exemple, les sources audio conventionnelles qui lui sont connectées pourront également être restituées par votre Formation Flex.

#### Les espaces

Les « espaces » sont un concept fondamental des produits Formation. Un « espace » Formation est une pièce ou une zone de votre maison dans laquelle vous écoutez de la musique. Chaque espace peut inclure des combinaisons différentes de produits Formation. Les configurations possibles sont décrites au niveau du schéma 4.


#### Lecture audio

L'application Bowers & Wilkins Home vous permet de sélectionner et de lire toute source ou flux audio disponible. Cependant, de la même manière que la lecture de la source audio des systèmes conventionnels nécessite d'être lancée par une commande « Play », les flux Formation doivent être lancés en premier lieu via leur propre application : l'application Spotify par exemple, ou l'application de la librairie musicale Roon. Chaque application musicale ou de bibliothèque musicale affichera votre espace Formation Flex en tant que périphérique de lecture possible, via Airplay, Bluetooth ou dans le cas de Spotify : Spotify Connect.

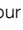

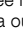
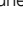

Une fois que les flux audio ont été lus sur le réseau Formation, ils peuvent être sélectionnés par l'application Bowers & Wilkins Home ou via la touche Form  qui, par pressions successives permet de sélectionner l'un ou l'autre des différents flux ou sources disponibles.

#### Contrôles du panneau supérieur de Formation Flex et éclairage

Votre Formation Flex dispose de boutons tactiles sur son panneau supérieur, qui permettent de commander la lecture ou la pause, de régler le volume, et de sélectionner les sources et les flux audio.

- Appuyez alternativement sur la touche Lecture / Pause  pour stopper ou pour démarrer la lecture audio.

*Remarque : La touche lecture / pause ne fonctionnera que si le flux ou la source dispose des fonctions de lecture et de pause accessibles via une liaison Bluetooth ou réseau.*

- Appuyez sur les touches volume  ou  pour ajuster le volume de n'importe quelle source ou flux, locale ou réseau. En maintenant appuyée l'une des touches  ou , le volume augmentera ou diminuera de façon continue, respectivement.
- Appuyez sur la touche Form  pour faire défiler les sources et flux actifs disponibles pour les lire avec Formation Flex.

#### Éclairage de la touche Form

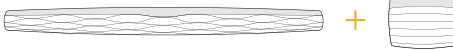
Les couleurs de l'éclairage de la touche Form changent pour indiquer les différents états opérationnels de Formation Flex. Les couleurs sont détaillées dans le schéma 5.

#### Configurations d'espaces TV

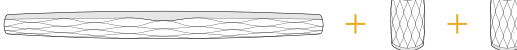
Formation Bar (3.0)



Formation Bar + Formation Bass (3.1)



Formation Bar + Formation Flex (5.0)



Formation Bar + Formation Bass + Formation Flex (5.1)



#### Configurations d'espaces musicaux

Formation Audio



Formation Wedge



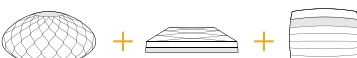
Formation Wedge + Formation Audio



Formation Wedge + Formation Bass



Formation Wedge + Formation Audio + Formation Bass



Formation Duo



Formation Duo + Formation Audio



Formation Duo + Formation Bass



Formation Duo + Formation Audio + Formation Bass



Formation Flex



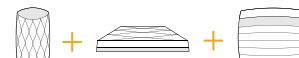
Formation Flex + Formation Audio



Formation Flex + Formation Bass



Formation Flex + Formation Audio + Formation Bass



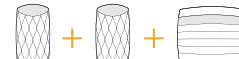
Formation Flex (stereo pair)



Formation Flex (stereo pair) + Formation Audio



Formation Flex (stereo pair) + Formation Bass



Formation Flex (stereo pair) + Formation Audio + Formation Bass

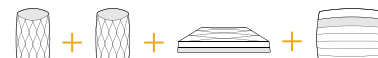


Schéma 4  
Configurations d'espaces

## 4. L'application Bowers & Wilkins Home

Dès lors que votre produit Formation Flex est configuré et connecté à votre réseau, l'application Bowers & Wilkins Home s'ouvre sur son écran d'accueil où l'espace de Formation Flex ainsi que les autres espaces Formation disponibles seront affichés.

Appuyez sur un espace Formation pour sélectionner un flux ou une source disponible. S'il n'y a pas de flux disponible, lancez une application de streaming comme Spotify par exemple, choisissez un morceau à lire, puis sélectionnez l'espace Formation dans la liste des périphériques de lecture disponibles. Désormais, quand vous reviendrez dans l'application Bowers & Wilkins Home, le flux Spotify en question sera affiché sur la page de l'espace Formation Flex.

La page d'accueil de l'application Bowers & Wilkins Home dispose d'une icône « Settings » dans le coin supérieur droit. Appuyez sur cette icône pour ouvrir le menu Paramètres de l'application. Le menu « Settings » vous propose des options pour configurer et réinitialiser vos appareils Formation et vous permet aussi de renommer vos espaces Formation. Les mises à jour, à la fois du micro-logiciel (firmware) de vos appareils Formation et de l'application Bowers & Wilkins Home peuvent être réalisées au niveau de ce menu « Settings ».

### Comment vous orienter au sein de l'application Bowers & Wilkins Home ?

Lors de son ouverture, l'application Bowers & Wilkins Home cherchera les espaces Formation disponibles puis affichera sur sa page d'accueil les espaces ainsi répertoriés.

Sous chaque espace, l'application affichera quel est son état en cours. En appuyant sur un espace actif, un écran « Now playing » s'affichera et permettra de contrôler le volume ainsi que la lecture/pause.

L'écran « Now playing » offre aussi une option « Available spaces » qui permet de transférer le flux audio en lecture dans l'espace précédemment choisi dans un autre espace, ou de lire ce même flux audio dans plusieurs espaces simultanément. L'écran « Available spaces » offre également la possibilité de contrôler le volume globalement dans tous les espaces, ou indépendamment dans chacun des espaces.

La page Paramètres de l'application Bowers & Wilkins Home s'ouvre en appuyant sur l'icône « Settings ». Le premier menu de la page « Settings » répertorie chacun des espaces ainsi que le nombre d'appareils Formation présents dans chacun d'eux.

Appuyez sur le nom d'un espace pour accéder aux paramètres de l'espace et appuyez sur le nom de l'appareil pour accéder aux réglages de l'appareil. Les paramètres disponibles de l'appareil sont fonction de l'appareil en question.

*Remarque : Si, au niveau de l'icône Settings de l'application Bowers & Wilkins Home, vous voyez un point jaune, cela indique qu'une mise à jour du micro-logiciel (firmware) Formation est disponible. Le processus de mise à jour du firmware sera lancé depuis le menu Settings. Dans la mesure du possible, gardez votre application Bowers & Wilkins Home toujours à jour, ainsi que vos appareils Formation en installant la dernière version de firmware. Non seulement vous bénéficierez des meilleures performances et d'une fiabilité accrue, mais vous pourrez également profiter de nouvelles fonctionnalités de votre système Formation.*

## 5. Sources et flux musicaux Formation

### Utilisation de Spotify

Utilisez votre téléphone, votre tablette ou votre ordinateur comme télécommande pour contrôler Spotify. Rendez vous à [spotify.com/connect](https://www.spotify.com/connect) pour savoir comment faire.

Le logiciel Spotify est soumis à des licences tierces qu'on peut trouver ici : <https://www.spotify.com/connect/third-party-licenses>.

### Utilisation d'Airplay

Airplay permet à des applications audio se trouvant sur les appareils mobiles, les ordinateurs portables ou de bureau de marque Apple, de diffuser du contenu en streaming sur un réseau où se trouvent des périphériques compatibles Airplay, tels que Formation Flex. Les applications compatibles avec Airplay affichent l'icône Airplay.

Pour utiliser Airplay, ouvrez l'application audio que vous souhaitez utiliser et sélectionnez la musique que vous souhaitez écouter. Appuyez sur l'icône Airplay pour afficher la liste des périphériques Airplay disponibles, et sélectionnez l'espace Formation que vous souhaitez utiliser.

*Remarque : il est possible de diffuser un flux audio via Airplay simultanément sur plusieurs appareils, cependant la qualité de lecture ainsi que la synchronisation entre les appareils vont dépendre des capacités de votre réseau domestique. Si vous souhaitez écouter du contenu de manière simultanée dans plusieurs espaces Formation, la synchronisation sera grandement améliorée en sélectionnant plusieurs espaces via l'application Bowers & Wilkins Home.*

### Utilisation de Roon

Roon est une bibliothèque musicale riche en fonctionnalités. L'application compile tous les fichiers musicaux disponibles sur votre réseau et les rend ainsi facilement disponibles à la lecture sur tous vos espaces Formation ainsi que sur tous les périphériques audio compatibles Roon. Roon est disponible pour les appareils mobiles, ordinateurs portables ou de bureau.

Lorsque vous lancez Roon, celui-ci affiche votre bibliothèque audio avec toutes ses métadonnées et illustrations ainsi que tous les espaces Formation et autres périphériques audio disponibles sur le réseau. Il suffit de sélectionner la musique que vous souhaitez écouter et l'espace Formation dans lequel vous voulez qu'elle soit retranscrite.

*Remarque : il est possible de diffuser un flux audio à partir de Roon sur plusieurs appareils simultanément, cependant la qualité de lecture et la synchronisation dépendront des capacités de votre réseau domestique. Si vous souhaitez écouter du contenu de manière simultanée dans plusieurs espaces Formation, la synchronisation sera grandement améliorée en sélectionnant plusieurs espaces via l'application Bowers & Wilkins Home.*

### Utilisation de Bluetooth

Bluetooth permet aux applications audio sur mobile, ordinateur portable ou de bureau de diffuser du contenu au moyen d'une connexion sans fil vers du matériel compatible Bluetooth comme Formation Flex.

Pour utiliser la fonction Bluetooth, assurez-vous que l'espace Formation que vous souhaitez utiliser est bien sélectionné dans les paramètres Bluetooth de votre périphérique, puis sélectionnez la musique que vous souhaitez écouter. Appuyez sur l'icône de lecture de votre périphérique pour afficher la liste des appareils disponibles, et sélectionnez l'espace Formation que vous souhaitez utiliser.

## 6. Nettoyage

Si votre appareil Formation Flex a besoin d'un nettoyage, vous pouvez simplement essuyer sa surface supérieure avec un chiffon propre et non pelucheux et brosser la grille avec une brosse douce. Si vous souhaitez utiliser un liquide de nettoyage, appliquez le produit de nettoyage sur le chiffon et non directement sur Formation Flex. Testez d'abord sur une petite partie, en effet certains produits de nettoyage peuvent endommager les surfaces. Évitez les produits abrasifs, ou contenant de l'acide, des alcalins ou des agents antibactériens.

## 7. Aide et support

Si vous avez besoin d'aide ou de conseils supplémentaires concernant votre produit Formation Flex, merci de vous rendre sur le site internet d'aide des appareils Formation, à cette adresse : [www.bowerswilkins.com/support](http://www.bowerswilkins.com/support).

### Informations environnementales

Ce produit est en conformité avec les directives internationales, y compris, mais sans s'y limiter avec la Restriction d'utilisation des Substances dangereuses (RoHS) pour l'environnement pour les équipements électriques et électroniques, l'enregistrement, l'évaluation, l'autorisation et la restriction d'utilisation des produits chimiques (REACH) et l'élimination des Déchets Electriques et Electroniques (DEEE). Consultez votre autorité locale d'élimination des déchets pour des conseils sur la façon de bien recycler ou d'éliminer ce produit.

Indicateur d'éclairage	État opérationnel
Blanc clignotant	Démarrage en cours
Jaune pulsé	Prêt pour la configuration
Jaune clignotant	Mise à jour du firmware en cours
Blanc pulsé	Lecture audio en cours
Rouge pulsé	Erreur – contacter le support
Rouge continu	Erreur – contacter le support
Rouge clignotant	Réinitialisation usine en cours

Schéma 5  
Détails de l'indicateur lumineux de la touche Form

## Willkommen bei Bowers & Wilkins und Formation Flex.

Vielen Dank, dass Sie sich für Formation entschieden haben. Als John Bowers das Unternehmen Bowers & Wilkins gründete, war er überzeugt, dass ein einfallreiches, elegantes Design sowie eine innovative Konstruktion und fortschrittliche Technologien der Schlüssel für ein einmaliges Klangerlebnis in Ihrem Zuhause sind. Diese Überzeugung inspiriert weiterhin jedes Produkt, das wir entwickeln, und hat mit Formation die bisher ausgereifteste Form gefunden.

Formation Flex ist ein netzwerkfähiger, kabelloser Aktivlautsprecher, der eine äußerst leistungsstarke Wiedergabe von Formation-Audiostreams ermöglicht. Formation Flex wird hauptsächlich mit der Bowers & Wilkins Home App konfiguriert und gesteuert. Die App ist sowohl für iOS- als auch für Android-Geräte verfügbar. Einige häufig verwendete Steuerfunktionen sind auch über die Touch-Tasten auf der Oberseite des Formation Flex verfügbar. Das Installieren und Konfigurieren eines Formation Flex ist nur über die Bowers & Wilkins Home App möglich.

Mit dem Formation Flex können Sie:

- Audio von Streaming-Diensten wie Spotify, Apple Music und Roon hören.
- Im Netzwerk gespeicherte Audiodateien hören.
- Audio über Bluetooth von entsprechend aktivierten Bluetooth-Quellen hören.
- Audio von Geräten hören, die an einen Bowers & Wilkins Formation Audio angeschlossen sind, z. B. Plattenspieler (über einen Phono-Vorverstärker) oder CD-Player.
- Audio von Airplay- oder Bluetooth-fähigen Diensten und Apps hören, z. B. Internet-Radio.
- Audio überall in Ihrem Zuhause auf einem beliebigen Formation-Gerät hören, das mit Ihrem Heimnetzwerk verbunden ist.

Die Bowers & Wilkins Home App ist erforderlich, um Formation Flex mit Ihrem Heimnetzwerk zu verbinden, aber auch um eine Verbindung mit anderen Formation-Produkten in Ihrem Zuhause herzustellen. Die Bowers & Wilkins Home App bietet zudem einige Steuerungs- und Konfigurationsfunktionen während des Gebrauchs. Bevor Sie mit der Installation von Formation Flex beginnen, laden Sie bitte die Bowers & Wilkins Home App herunter und installieren Sie sie auf Ihrem iOS oder Android-Gerät. Für die Bowers & Wilkins Home App ist iOS V11.4 oder höher bzw. Android V8.1 oder höher erforderlich. Bluetooth- und WLAN-Dienste müssen auf Ihrem iOS- oder Android-Gerät aktiviert sein. Zudem müssen Sie Ihr WLAN-Passwort kennen.

*Hinweis: Auf Android-Geräten müssen die Ortungsdienste während des Einrichtungsvorgangs für Formation aktiviert sein. Dies liegt daran, dass Formation-Produkte für die Kommunikation einen Bluetooth-Modus mit geringem Stromverbrauch (BT-LE) verwenden, der auf Android-Geräten nur eingeschaltet ist, wenn die Ortungsdienste aktiviert sind. Bowers & Wilkins verwendet keine Standortdaten für Marketingzwecke.*

## 1. Formation Flex Kartoninhalt

Formation Flex  
Netzkabel-Set passend für Ihr Land  
Zugehörige Unterlagen

## 2. So installieren Sie Formation Flex

Formation Flex kann in einer Vielzahl von Situationen eingesetzt werden – als einzelner Mono-Lautsprecher, als kompaktes Stereo-Paar oder als hintere Surround-Lautsprecher in einem 5.1-Heimkino-Setup.

Bei Verwendung als Stereopaar sollten Ihre Formation Flex Lautsprecher mindestens 1 m voneinander entfernt sein und einen ähnlichen Abstand zum Hörbereich haben. Wenn die Lautsprecher zu nahe beieinander stehen, wird die Stereobühne nicht mehr realistisch abgebildet. Stehen sie zu weit auseinander, ist der Stereoeindruck möglicherweise schwach. Es ist nicht erforderlich, die Formation Flex Lautsprecher nach innen zum Hörbereich zu richten, dies kann jedoch den Stereoeindruck verstärken. Abbildung 1 zeigt die Grundpositionierung der Lautsprecher.

Bei Verwendung als hintere Lautsprecher in einer 5.1-Heimkino-Konfiguration sollten Ihre Formation Flex möglichst im 120 Grad Winkel zum vorderen Center-Lautsprecher positioniert werden (siehe Abbildung 2).

Formation Flex benötigt zum Betrieb eine Netzstromversorgung und muss sich in Reichweite einer Steckdose befinden. Wenn Formation Flex eine Kabelverbindung zu Ihrem Heimnetzwerk verwenden soll, muss sich der Lautsprecher in Reichweite eines geeigneten Netzwerkkabels (Ethernet) befinden.

Soll Formation Flex auf ein Regal gestellt werden, so stellen Sie sicher, dass dieses stabil genug ist, um das Gewicht zu tragen.

Wie die meisten Lautsprecher strahlt auch der Formation Flex Schallenergie nicht nur nach vorne, sondern auch zur Seite und nach hinten ab. Wenn Sie also Formation Flex in der Nähe von Raumgrenzen (besonders in einer Ecke) positionieren, wird der Bass möglicherweise überbetont. Sollten Sie feststellen, dass der Bass aus Ihrem Formation Flex zu ausgeprägt ist, probieren Sie einen anderen Standort aus. Sie können den Basspegel jedoch auch über das Konfigurationsmenü in der Bowers & Wilkins Home App regeln.

### Anschlüsse

Neben einer Netzbuchse **1** verfügt Formation Flex über eine Ethernet-Buchse **2** für den Anschluss an einen Router, falls eine kabelgebundene Netzwerkverbindung der kabellosen (WLAN) vorgezogen wird.

*Hinweis: Die USB-Buchse auf der Rückseite von Formation Flex ist nur für Service- und Diagnosezwecke vorgesehen. Sie darf nicht für andere Zwecke verwendet werden.*

### Ein- und Ausschalten

Nachdem alle Verbindungen hergestellt wurden und die Bowers & Wilkins Home App auf Ihrem Mobilgerät installiert ist, kann Formation Flex eingerichtet werden. Formation Flex hat keinen Netzschalter und ist nach einem kurzen Startvorgang betriebsbereit, sobald er an das Stromnetz angeschlossen wird. Sie hören ein Tonsignal, wenn der Startvorgang abgeschlossen ist.

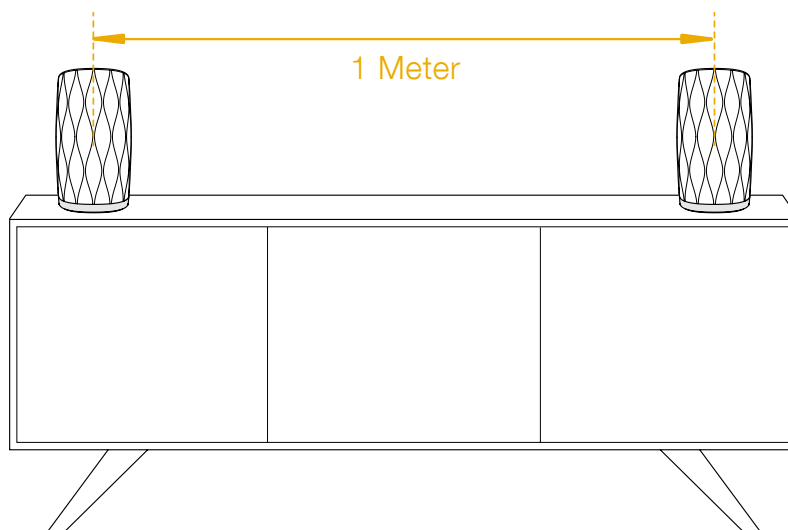


Abbildung 1  
Stereo-Positionierung

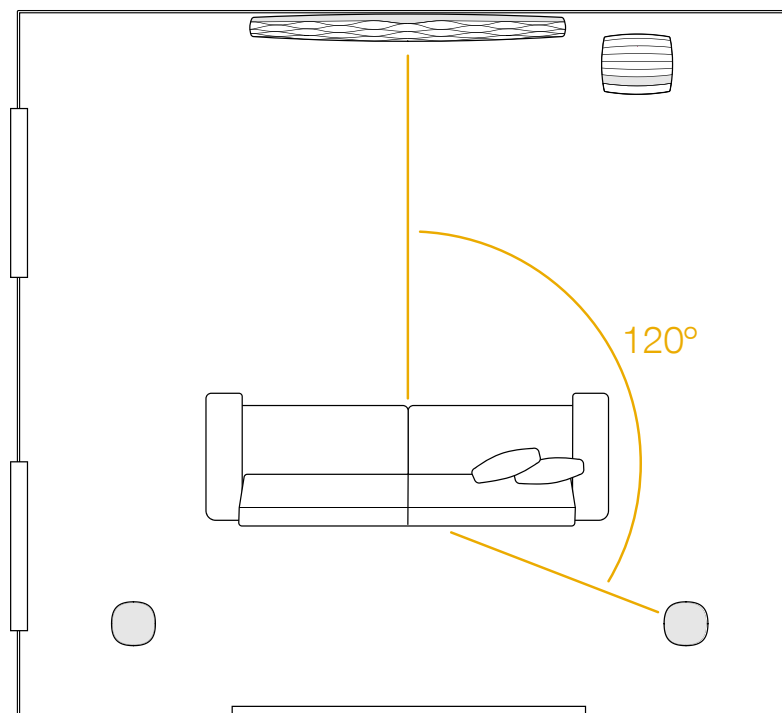





Abbildung 2  
Heimkino-Positionierung

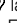
Wenn ein zuvor noch nicht benutzter Formation Flex zum ersten Mal eingeschaltet wird, wechselt er automatisch in den Setup-Modus, damit die Verbindung zu Ihrem Heimnetzwerk und zu anderen verfügbaren Formation-Geräten hergestellt werden kann. Der Setup-Modus wird durch ein langsames gelbes Aufleuchten der Form-Touch-Taste angezeigt . Der Formation Flex erscheint nun einrichtungsbereit auch in der Bowers & Wilkins Home App: entweder auf der Startseite der App oder nach Auswahl von „Formation-Produkt hinzufügen“ auf der Konfigurationsseite .

Formation Flex steuert seinen Betriebszustand und Stromverbrauch vollautomatisch und wechselt nach zwanzig Minuten Inaktivität in einen Energiesparmodus. Daher müssen Sie Ihren Formation Flex niemals ausschalten. Wenn Sie dies trotzdem wünschen, trennen Sie ihn einfach vom Stromnetz. Der Formation Flex behält seine Einstellungen auch ohne Netzanschluss bei.

Sie können einen Formation Flex durch kurzes Drücken und Loslassen der Reset-Taste  auf der Rückseite neu starten. Durch Drücken der Taste wird Formation Flex aus- und wieder eingeschaltet. Alle Einstellungen bleiben beim Neustart des Formation Flex erhalten. Sie können Ihren Formation Flex auch über die Konfigurationsseite in der Bowers & Wilkins Home App neu starten.

Wenn Sie Ihren Formation Flex auf die Standardeinstellungen zurücksetzen möchten, halten Sie die Reset-Taste fünf Sekunden lang gedrückt. Beim Neustart wechselt Formation Flex dann in den Setup-Modus. Beim Zurücksetzen werden alle Einstellungen gelöscht. Sie können Ihren Formation Flex auch über das Konfigurationsmenü in der Bowers & Wilkins Home App zurücksetzen.

#### Netzwerkeinrichtung

- Öffnen Sie die Bowers & Wilkins Home App auf Ihrem iOS- oder Android-Gerät, während sich Ihr Formation Flex im Setup-Modus befindet und die Form-Taste  langsam gelb blinkt. Die App führt Sie durch den Einrichtungsvorgang.

*Hinweis: Formation Flex verwendet während des Einrichtungsvorgangs eine Bluetooth-Verbindung zu dem Gerät, auf dem die Bowers & Wilkins Home App läuft. Bluetooth-Signale haben eine relativ geringe Reichweite und können durch Wände/Hindernisse unterbrochen werden. Wir empfehlen daher, dass Formation Flex und das Gerät mit der Bowers & Wilkins Home App während des Einrichtungsvorgangs nahe beieinander bleiben.*

- Die Bowers & Wilkins Home App sucht zunächst im Setup-Modus nach Formation-Produkten und zeigt einen Bildschirm an, in dem Sie zur Auswahl aufgefordert werden. Tippen Sie auf Ihren Formation Flex. Wenn Sie bereits ein Formation-Produkt eingerichtet haben und ein weiteres hinzufügen möchten, wählen Sie auf der Konfigurationsseite in der App die Option „Formation-Produkt hinzufügen“.
- Die Bowers & Wilkins Home App fordert Sie als Nächstes auf, den Raum zu benennen, in dem Ihr Formation Flex verwendet werden soll. Sie sehen eine Liste mit Standardnamen für Räume, können aber auch eigene Namen erstellen. Nachdem Sie einen Raumnamen ausgewählt oder erstellt haben, fordert Sie die App auf, die Form-Taste  oben auf Ihrem Formation Flex zu berühren, um die Auswahl zu bestätigen.

- Wenn eine drahtlose Netzwerkverbindung für Ihren Formation Flex verwendet werden soll, erfolgt im nächsten Einrichtungsschritt die Verbindung des Formation Flex mit Ihrem heimischen WLAN-Netz. Die App fordert Sie auf, das richtige WLAN-Netz zu bestätigen und das Passwort einzugeben. Falls Ihr Formation Flex mit einem Ethernet-Kabel an Ihren Netzwerk-Router angeschlossen ist, wird dieser Einrichtungsschritt übersprungen.

*Hinweis: Wenn Sie bereits andere Formation-Produkte mit Ihrem WLAN-Netzwerk verbunden haben, müssen Sie für Formation Flex das WLAN-Passwort nicht erneut eingeben.*

- Nach Abschluss der WLAN-Konfiguration und der Raumauswahl ist Ihr Formation Flex einsatzbereit. Ihr Formation Flex gibt ein Tonsignal aus, um die erfolgreiche Einrichtung zu bestätigen.

#### Bluetooth-Einrichtung

Sie können Ihren Formation Flex an eine Bluetooth-fähige Audioquelle (z. B. ein Smartphone) anschließen, um Audio über Bluetooth wiederzugeben. Dazu muss Formation Flex zuerst mit der Bluetooth-Audioquelle „gekoppelt“ werden.

Nachdem Sie die Netzwerkeinrichtung von Formation Flex abgeschlossen haben, öffnen Sie die Konfigurationsseite der Bowers & Wilkins Home App und wählen Sie den Formation-Raum, mit dem Sie ein Bluetooth-Gerät koppeln möchten. Wählen Sie anschließend aus dem Bluetooth-Menü die Option „+ Neues Gerät koppeln“ und folgen Sie den Anweisungen der App, um die Geräteverbindung herzustellen. Ihr Formation Flex gibt nach Abschluss der Kopplung ein Tonsignal aus und der entsprechende Raum steht dem gekoppelten Bluetooth-Gerät für die Audiowiedergabe zur Verfügung.

*Hinweis: Es können bis zu acht Bluetooth-Geräte gleichzeitig mit jedem Formation-Raum gekoppelt werden, jedoch werden die Geräte nicht automatisch verbunden und es erfolgt auch keine automatische Wiedergabe.*

### 3. So verwenden Sie Formation Flex

#### Grundsätzliches

Sie können mit Formation Flex Audio von Streaming-Diensten wie Spotify, Apple Music und Tidal, von einer Roon-Musikbibliothek, von NAS-Festplatten und Internetradio über eine entsprechende iRadio-App wiedergeben. Wenn Sie weitere Formation-Geräte an Ihr Netzwerk angeschlossen haben, z. B. einen Formation Audio, sind herkömmliche Audioquellen, die daran angeschlossen sind, auch über Ihren Formation Flex verfügbar.

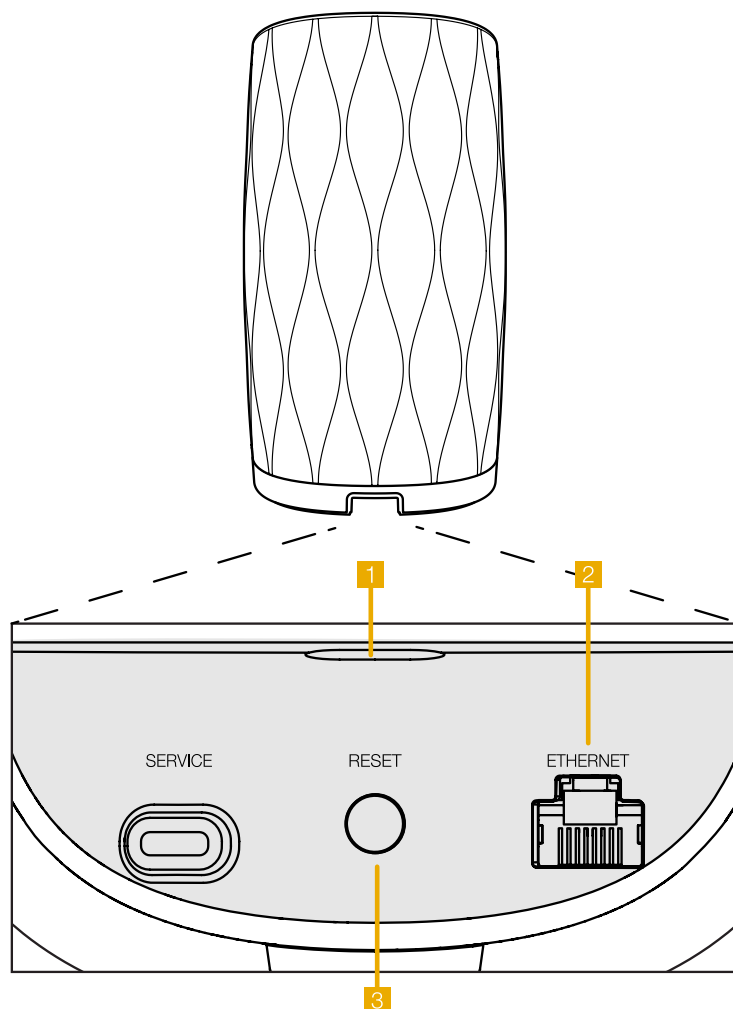



Abbildung 3  
Anschlussfeld des Formation Flex

## Spaces

Spaces (Räume) sind ein wichtiges Konzept in der Formation-Produktfamilie. Ein Formation-Space ist ein Raum oder ein bestimmter Bereich in Ihrem Zuhause, in dem Sie Musik hören. Jeder Space kann Formation-Produkte in verschiedenen Kombinationen enthalten. Die möglichen Konfigurationen sind in Abbildung 4 dargestellt.


## Audiowiedergabe

Mit Hilfe der Bowers & Wilkins Home App können Sie jede verfügbare Audioquelle oder jeden verfügbaren Stream auswählen und abspielen. Während Sie bei der herkömmlichen Wiedergabe von Audioquellen lediglich die Wiedergabetaste drücken, müssen Sie zum Streamen an Formation zunächst die jeweilige App aufrufen: die Spotify-App zum Beispiel oder eine Musikbibliothek-App wie Roon. Jede dieser Apps listet Ihren Formation Flex-Raum als verfügbares Wiedergabegerät mittels Airplay, Bluetooth oder (im Falle von Spotify) Spotify Connect auf.


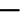
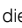

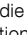

Sobald Audio-Streams im Formation-Netzwerk abgespielt werden, können sie über die Bowers & Wilkins Home App oder über die Form-Taste  oben auf dem Formation Flex ausgewählt werden. Durch Berühren der Form-Taste können die verfügbaren Streams und Quellen der Reihe nach abgerufen werden.

## Bedienelemente auf der Oberseite von Formation Flex

Ihr Formation Flex verfügt über Touch-Buttons auf der Oberseite, mit denen Sie Wiedergabe/Pause steuern, die Lautstärke einstellen und die Quelle/den Stream auswählen können.

- Durch Berühren von Wiedergabe/Pause  wird die Audiowiedergabe abwechselnd gestoppt und neu gestartet.

*Hinweis: Wiedergabe/Pause funktioniert nur, wenn die Audioquelle über Wiedergabe- und Pausenfunktionen verfügt, auf die über Bluetooth- oder Netzwerkverbindungen zugegriffen werden kann.*

- Durch Berühren der Tasten Lauter  und Leiser  wird die lokale Lautstärke eines Netzwerkstreams oder einer lokalen Quelle angepasst. Durch Drücken und Halten der  und -Tasten wird die Lautstärke kontinuierlich erhöht oder verringert.
- Durch Berühren der Form-Taste  können die aktiven Streams und Quellen, die für Formation Flex zur Verfügung stehen, der Reihe nach abgerufen werden.
- Durch anhaltendes Berühren (für mindestens 2 Sekunden) der Form-Taste  wird die Audiowiedergabe auf diesem Gerät abgeschaltet.

## Form-Tastenbeleuchtung

Die Beleuchtung der Form-Taste ändert sich, um verschiedene Betriebszustände anzuzeigen. Diese Leuchtzustände sind in Abbildung Tabelle 5 dargestellt.

## 4. Die Bowers & Wilkins Home App

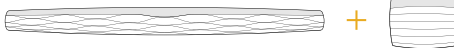
Nachdem Formation Flex konfiguriert und mit Ihrem Netzwerk verbunden ist, öffnet sich die Bowers & Wilkins Home App auf der Startseite. Dort sind der Formation Flex-Raum sowie alle anderen verfügbaren Formation-Räume aufgelistet.

### TV-Konfigurationen

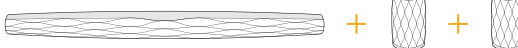
Formation Bar (3.0)



Formation Bar + Formation Bass (3.1)



Formation Bar + Formation Flex (5.0)



Formation Bar + Formation Bass + Formation Flex (5.1)



### Musik-Konfigurationen

Formation Audio



Formation Wedge



Formation Wedge + Formation Audio



Formation Wedge + Formation Bass



Formation Wedge + Formation Audio + Formation Bass



Formation Duo



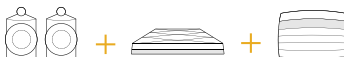
Formation Duo + Formation Audio



Formation Duo + Formation Bass



Formation Duo + Formation Audio + Formation Bass



Formation Flex



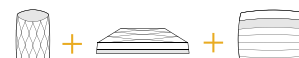
Formation Flex + Formation Audio



Formation Flex + Formation Bass



Formation Flex + Formation Audio + Formation Bass



Formation Flex (stereo pair)



Formation Flex (stereo pair) + Formation Audio



Formation Flex (stereo pair) + Formation Bass



Formation Flex (stereo pair) + Formation Audio + Formation Bass



Abbildung 4  
Raumkonfigurationen

Tippen Sie auf einen Formation-Raum, um aus allen verfügbaren Streams oder Audioquellen auszuwählen. Wenn keine Streams verfügbar sind, öffnen Sie eine Streaming-App (z. B. Spotify) und wählen Sie einen Titel aus. Wählen Sie dann den Formation-Raum aus der Liste der verfügbaren Wiedergabegeräte aus. Wenn Sie nun zur Bowers & Wilkins Home App zurückkehren, wird der Spotify-Stream für den jeweiligen Raum aufgelistet, in dem sich Ihr Formation Flex befindet.

Auf der Startseite der Bowers & Wilkins Home App befindet sich oben rechts ein Einstellungssymbol. Tippen Sie auf das Symbol, um das Konfigurationsmenü zu öffnen. Dieses Menü bietet Optionen zum Konfigurieren und Zurücksetzen Ihrer Formation-Geräte und zum Umbenennen Ihrer Formation-Räume. Updates für die App und die Firmware der Formation-Geräte werden ebenfalls über dieses Menü abgerufen.

### Zurechtfinden in der Bowers & Wilkins Home App

Die Bowers & Wilkins Home App sucht beim Öffnen nach verfügbaren Formation-Räumen und zeigt dann die Startseite mit den gefundenen Räumen an.

Unter jedem Raum zeigt die App die aktuelle Aktivität an. Wenn Sie auf einen aktiven Raum tippen, erscheint ein Wiedergabe-Bildschirm, auf dem Sie die Lautstärke und Wiedergabe/Pause steuern können.

Der Wiedergabe-Bildschirm bietet auch die Option „Verfügbare Räume“, mit der der Stream, der im jeweils ausgewählten Raum abgespielt wird, auf einen anderen Raum übertragen oder in mehreren Räumen wiedergegeben werden kann. Der Bildschirm „Verfügbare Räume“ bietet zudem die Möglichkeit, die Lautstärke zu regeln – sowohl über alle Räume hinweg als auch in einzelnen Räumen.

Die Konfigurationsseite der Bowers & Wilkins Home App wird durch Tippen auf das Einstellungssymbol geöffnet. Das Menü der Grundeinstellungen listet jeden Raum und die Anzahl der in jedem Raum vorhandenen Formation-Geräte auf.

Wenn Sie auf einen Raum tippen, der im Konfigurationsmenü aufgeführt ist, erhalten Sie Zugriff auf die Einstellungen für den Raum und dort vorhandene Formation-Geräte. Tippen Sie auf den Raumnamen, um auf die Raumeinstellungen zuzugreifen, und tippen Sie auf den Gerätenamen, um auf die Geräteeinstellungen zuzugreifen. Die verfügbaren Geräteeinstellungen hängen vom jeweiligen Gerät ab.

*Hinweis: Wenn das Einstellungssymbol in der Bowers & Wilkins Home App einen gelben Punkt anzeigt, bedeutet dies, dass ein Firmware-Update für Formation verfügbar ist. Das Firmware-Update wird über das Konfigurationsmenü gestartet. Sie sollten immer darauf achten, die Version der Bowers & Wilkins Home App und die Firmware Ihrer Formation-Geräte auf dem neuesten Stand zu halten. Dadurch wird nicht nur die höchste Zuverlässigkeit gewährleistet, sondern Sie profitieren auch von neuen Formation-Funktionen.*

## 5. Formation Musik-Streams und Quellen

### Verwendung von Spotify

Nutzen Sie Ihr Handy, Tablet oder Ihren Computer als Fernbedienung für Spotify. Eine entsprechende Anleitung finden sie unter [spotify.com/connect](https://www.spotify.com/connect).

Die Spotify-Software unterliegt Lizenzen von Drittanbietern: <https://www.spotify.com/connect/third-party-licenses>.

### Verwendung von Airplay

Mit Hilfe von Airplay können Audio-Apps auf Apple-Mobilgeräten, Notebooks oder Desktops, Inhalte über ein Netzwerk an Airplay-kompatible Lautsprecher wie Formation Flex übertragen. Airplay-fähige Apps zeigen das Airplay-Symbol an.

Um Airplay zu verwenden, öffnen Sie die gewünschte Audio-App und wählen Sie die Musik aus, die Sie abspielen möchten. Tippen Sie auf das Airplay-Symbol, um eine Liste der verfügbaren Geräte anzuzeigen, gefolgt von dem Formation-Raum, in dem Sie Musik hören möchten.

*Hinweis: Es ist möglich, Audio über Airplay auf mehreren Geräten gleichzeitig zu streamen. Wiedergabequalität und die Synchronisierung hängen dann jedoch von den Fähigkeiten Ihres Heimnetzwerks ab. Wenn Sie Audio gleichzeitig in mehreren Formation-Räumen wiedergeben möchten, können Sie die Synchronisierung erheblich verbessern, indem Sie mehrere Räume in der Bowers & Wilkins Home App auswählen.*

### Verwendung von Roon

Roon ist eine funktionsreiche Musikbibliothek- und Wiedergabe-App zur Verwaltung und zum Abspielen aller in Ihrem Netzwerk verfügbaren Musikdateien. Auf diese Weise ist eine problemlose Wiedergabe in allen Ihren Formation-Räumen und auf anderen Roon-fähigen Audiogeräten möglich. Roon ist für mobile Geräte, Laptops oder Desktops verfügbar.

Wenn Sie Roon öffnen, wird Ihre gesamte Audiobibliothek einschließlich Metadaten und Cover zusammen mit allen Formation-Räumen und anderen verfügbaren Netzwerk-Audiogeräten angezeigt. Wählen Sie einfach die gewünschte Musik und den Formation-Raum, in dem Sie sie hören möchten.

*Hinweis: Es ist möglich, Audio von Roon auf mehrere Geräte gleichzeitig zu streamen. Wiedergabequalität und die Synchronisierung hängen dann jedoch von der Leistungsfähigkeit Ihres Heimnetzwerks ab. Wenn Sie Audio gleichzeitig in mehreren Formation-Räumen wiedergeben möchten, können Sie die Synchronisierung erheblich verbessern, indem Sie mehrere Räume in der Bowers & Wilkins Home App auswählen.*

### Verwendung von Bluetooth

Mit Hilfe von Bluetooth können Audio-Apps auf Mobilgeräten, Notebooks oder Desktops, Inhalte über eine drahtlose Verbindung an kompatible Hardware wie Formation Flex übertragen. Bluetooth-fähige Audio-Apps zeigen das Bluetooth-Symbol an.

Um Bluetooth zu verwenden, stellen Sie sicher, dass der gewünschte Formation-Raum im Bluetooth-Konfigurationsmenü Ihres Geräts ausgewählt ist. Öffnen Sie dann die Audio-App, die Sie verwenden möchten, und wählen Sie die gewünschte Musik. Tippen Sie auf das Symbol für Wiedergabegeräte, um eine Liste der verfügbaren Geräte anzuzeigen, gefolgt von dem Formation-Raum, in dem Sie Musik hören möchten.

## 6. Reinigung

Zum Reinigen des Formation Flex wischen Sie die Oberseite mit einem sauberen, fusselfreien Tuch ab. Das Gitter kann mit einer weichen Bürste gereinigt werden. Wenn Sie Reinigungsflüssigkeit verwenden möchten, tragen Sie diese auf das Reinigungstuch und nicht direkt auf Formation Flex auf. Testen Sie zunächst an einer kleinen, unauffälligen Stelle, da einige Reinigungsprodukte bestimmte Oberflächen beschädigen können. Verwenden Sie daher keine scharfen bzw. säure- oder alkalihaltigen oder antibakteriellen Produkte.

## 7. Support

Wenn Sie weitere Hilfe oder Beratung zum Formation Flex benötigen, besuchen Sie bitte die folgende Support-Seite für Formation [www.bowerswilkins.com/support](http://www.bowerswilkins.com/support).

### Umweltinformationen

Dieses Produkt entspricht den internationalen Richtlinien über die Beschränkung der Verwendung bestimmter gefährlicher Stoffe in Elektro- und Elektronikgeräten (RoHS), der Verordnung zur Registrierung, Bewertung, Zulassung und Beschränkung chemischer Stoffe (REACH) und den Richtlinien über Elektro- und Elektronik-Altgeräte (WEEE). Erkundigen Sie sich bezüglich des Recyclings bzw. der Entsorgung dieses Produktes bei der örtlichen Abfallentsorgung.

Anzeige	Betriebszustand
Blinkt weiß	Startvorgang läuft
Pulsiert gelb	Wartet auf die Einrichtung
Blinkt gelb	Firmware-Update wird durchgeführt
Pulsiert weiß	Audio wird abgerufen
Pulsiert rot	Fehler - Support kontaktieren
Konstant rot	Fehler - Support kontaktieren
Blinkt rot	Reset wird durchgeführt

Abbildung 5 Tabelle  
Beleuchtung der Form-Taste

## Bienvenido a Bowers & Wilkins y a la Formation Flex.

Gracias por elegir Formation. Cuando John Bowers fundó Bowers & Wilkins, lo hizo con la firme creencia de que el diseño imaginativo, la ingeniería innovadora y la tecnología avanzada eran las claves que podían desbloquear el disfrute del sonido en el hogar. Esta creencia continúa inspirando cada producto que diseñamos y ha encontrado en la Formation Flex su expresión más avanzada hasta la fecha.

La Formation Flex es una caja acústica activa inalámbrica con conectividad a redes que proporciona unas prestaciones extremadamente altas en la reproducción de flujos de audio Formation. La Formation Flex está pensada ante todo para ser controlada mediante la Bowers & Wilkins Home app, disponible para dispositivos iOS y Android. Algunas funciones de control utilizadas comúnmente también están disponibles vía botones táctiles situados en el panel superior de la Formation Flex. La instalación y configuración de la Formation Flex sólo es posible utilizando la Bowers & Wilkins Home app.

La Formation Flex le permitirá:

- Escuchar música procedente de servicios de streaming como Spotify, Apple Music y Roon.
- Escuchar archivos de audio almacenados en red.
- Escuchar música vía Bluetooth procedente de fuentes Bluetooth debidamente configuradas.
- Escuchar música procedente de dispositivos como giradiscos (vía preamplificador de fono) y reproductores de CD conectados localmente a un Bowers & Wilkins Formation Audio.
- Escuchar música, como por ejemplo Internet Radio, desde dispositivos y apps compatibles AirPlay o Bluetooth.
- Escuchar en cualquier dispositivo Formation conectado a su red doméstica música que se esté reproduciendo en cualquier lugar de su casa.

La Bowers & Wilkins Home app es necesaria tanto para conectar su Formation Flex a su red doméstica como para establecer la conexión con otros productos Formation que tenga en su casa. La Bowers & Wilkins Home app también proporciona cierto control y funciones de configuración durante el uso del producto. Antes de comenzar la instalación de su Formation Flex, le rogamos que descargue e instale la Bowers & Wilkins Home app en su dispositivo iOS o Android. La Bowers & Wilkins Home app requiere disponer de la versión V11.4 o posterior del iOS o la versión V8.1 o posterior de Android. Asimismo, deben activarse los servicios Bluetooth y Wi-Fi en su dispositivo iOS o Android. También necesitará saber la contraseña de su red-Wi-Fi.

*Nota: Durante el proceso de configuración del Formation en dispositivos Android deben activarse los Servicios de Ubicación. Esto es debido a que los productos Formation utilizan una variante de baja potencia de Bluetooth (BT-LE) para servicios de comunicación que en los dispositivos Android sólo se pone en marcha cuando los Servicios de Ubicación están activados. Bowers & Wilkins no utilizará datos pertenecientes a servicios de ubicación para fines publicitarios.*

## 1. Contenido del Embalaje de la Formation Flex

Formation Flex  
 Cable de alimentación apropiado para su país de residencia  
 Paquete con documentación

## 2. Instalando Su Formation Flex

La Formation Flex puede ser utilizada en una extensa gama de situaciones: como caja acústica monofónica individual, como par estereofónico compacto o como caja acústica de efectos posteriores en una configuración para Cine en Casa de 5.1 canales.

Cuando se utiliza como par estereofónico, sus Formation Flex deberían estar separadas entre sí un mínimo de 1 metro y a una distancia similar del área de escucha. Si las cajas acústicas se colocan muy cerca entre sí, es posible que la reproducción estereofónica carezca de espaciosidad mientras que si están muy separadas puede suceder que la focalización estereofónica sea débil. No hay ninguna necesidad de inclinar sus Formation Flex hacia el interior del área de escucha, aunque si lo hace es posible que se refuerce la focalización estereofónica. El Diagrama 1 ilustra la colocación básica de las cajas acústicas.

Cuando se utilizan como cajas acústicas de efectos posteriores en un sistema de Cine en Casa de 5.1 canales, sus Formation Flex deberían situarse a unos 120 grados de la caja acústica central tal y como se muestre en el Diagrama 2.

Para funcionar, su Formation Flex necesita ser conectada a la red eléctrica, por lo que deberá situarla cerca de una toma de corriente eléctrica. Si su Formation Flex va a ser conectada al router de su red por cable, necesitará estar ubicada dentro del alcance de un cable de conexión a redes apropiado (Ethernet).

Si decide colocar su Formation Flex en una estantería, asegúrese de que esta última pueda soportar sin problemas el peso de aquella.

Al igual que la inmensa mayoría de cajas acústicas, su Formation Flex radia energía sonora no sólo hacia delante sino también hacia los lados y hacia atrás. En consecuencia, si su Formation Flex está situada cerca de los contornos de la sala o, en concreto, en una esquina, su respuesta en graves puede enfatizarse en exceso. Si considera que los graves de su Formation Flex son excesivos, es posible que resulte beneficioso llevarla a una ubicación alternativa aunque usted siempre tiene la posibilidad de ajustar el nivel de graves desde el menú Settings de la Bowers & Wilkins Home app.

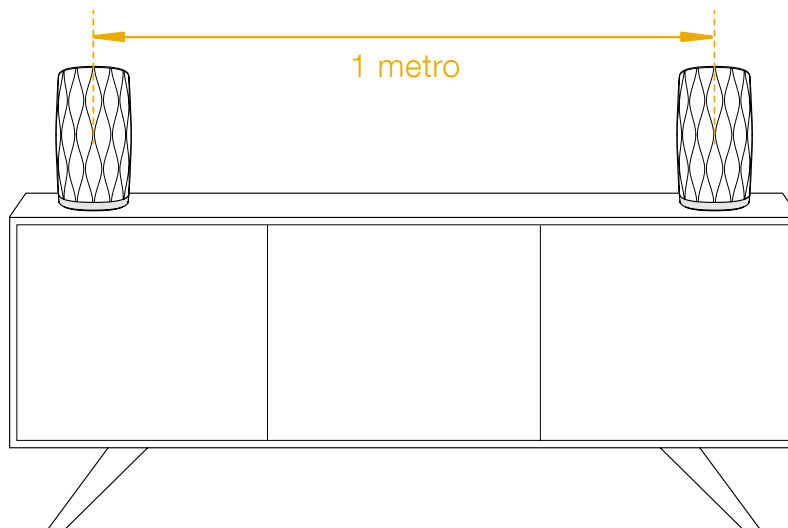


Diagrama 1  
 Colocación para estéreo

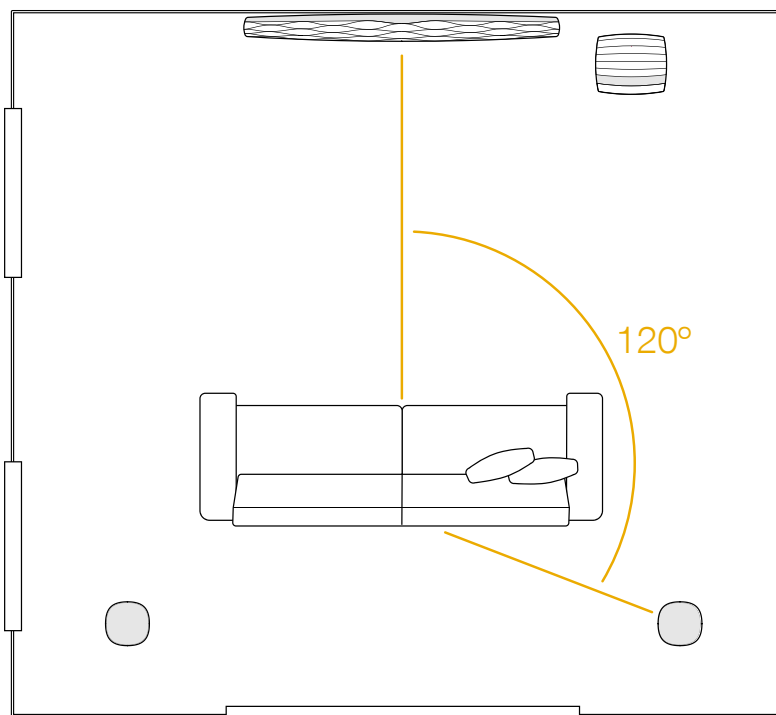


Diagrama 2  
 Colocación para Cine en Casa

## Conexiones

Además de la toma correspondiente a la entrada de corriente eléctrica **1**, su Formation Flex incluye una toma Ethernet **2** para la conexión al router de su red doméstica en el caso de que prefiera una conexión por cable en vez de una inalámbrica (Wi-Fi).

*Nota: La toma USB situada en el panel posterior de la Formation Flex tiene por objeto única y exclusivamente la realización de operaciones de mantenimiento y diagnóstico. Por lo tanto, no puede ser utilizada para ningún otro propósito.*

## Puesta en Marcha y Desactivación

Con todas las conexiones ya realizadas y la Bowers & Wilkins Home app instalada en su dispositivo móvil, su Formation Flex está lista para ser configurada y utilizada. Su Formation Flex no incorpora conmutador de puesta en marcha, por lo que después de una breve rutina de arranque estará completamente operativa tan pronto se conecte a una toma de corriente eléctrica alterna. Cuando dicha rutina se haya completado, la Formation Flex emitirá un aviso audible.

Cuando una Formation Flex que no ha sido utilizada con anterioridad sea puesta en marcha por primera vez, entrará automáticamente en el modo de configuración para activar su conexión a la red de su casa y a cualquier otro dispositivo Formation presente. El modo de configuración es indicado por una iluminación intermitente lenta en color naranja del botón táctil Form **3**. La Formation Flex también aparecerá en la Bowers & Wilkins Home app como disponible para configurar, bien en la página de inicio de la app bien después de seleccionar "Add Formation product" en la página Settings de la app.

Su Formation Flex gestiona su estado operativo y su consumo de energía de manera completamente automática, conmutando a un modo de ahorro de energía al cabo de veinte minutos de inactividad. En ningún momento hay necesidad de que apague su Formation Flex, aunque en el caso de que deseara hacerlo bastará con que la desconecte de la toma de corriente eléctrica alterna. En ausencia de alimentación, su Formation Flex guardará todos los ajustes realizados en la misma.

Puede reiniciar una Formation Flex pulsando brevemente y liberando los botones de reinicialización (Reset) situado en su panel inferior **3**. La pulsación de dicho botón desactivará la Formation Flex y volverá a activarla de nuevo. Cuando su Formation Flex se reinicie, todos los ajustes realizados previamente en la misma se mantendrán. Usted también puede reiniciar su Formation Flex desde el menú Settings de la Bowers & Wilkins Home app.

Si desea reinicializar su Formation Flex a los ajustes de fábrica (ajustes por defecto), pulse y mantenga pulsado el botón Reset durante cinco segundos. En el momento de reiniciarse, su Formation Flex entrará en el modo de configuración. Cuando su Formation Flex se reinicialice, todos los ajustes realizados en la misma serán borrados. Usted también puede reinicializar su Formation Flex desde el menú Settings de la Bowers & Wilkins Home app.

## Configuración de Red

• Con la Formation Flex en el modo de configuración, estando su botón Form **3** pulsando lentamente en color naranja, active la Bowers & Wilkins Home app en su dispositivo iOS o Android. La app le guiará con avisos audibles a lo largo del proceso de configuración.

*Nota: Durante el proceso de configuración, la Formation Flex utiliza una conexión Bluetooth al dispositivo que contiene la Bowers & Wilkins Home app. Las señales Bluetooth tienen un rango de alcance relativamente corto y pueden ser interrumpidas por los límites físicos -paredes, puertas, techo- de la sala, por lo que recomendamos que durante dicho proceso su Formation Flex y el dispositivo que contenga la Bowers & Wilkins Home app estén lo más cerca posible.*

- En primer lugar, la Bowers & Wilkins Home app buscará productos Formation en el modo de configuración y mostrará una pantalla invitándole a seleccionar uno. Tóquela para seleccionar su Formation Flex. Si usted ya ha configurado un producto Formation y está añadiendo otro, seleccione "Add Formation product" en el menú Settings de la app.
- A continuación, la Bowers & Wilkins Home app le invitará a nombrar el "espacio" en el que su Formation Flex va a ser utilizada. Se le proporcionará una lista de nombres de espacios por defecto, aunque usted también puede crear el suyo propio. Cuando haya seleccionado, o creado, un nombre de espacio, la app le pedirá que toque el botón Form **3** del panel superior de su Formation Flex para confirmar la selección.
- Si va a utilizar una conexión de red inalámbrica para su Formation Flex, la siguiente etapa del proceso de configuración conectará su Formation Flex a su red Wi-Fi doméstica. La app le preguntará para que confirme la red Wi-Fi correcta y le pedirá que introduzca su contraseña. De modo alternativo, si su Formation Flex está conectada al router de su red con un cable Ethernet, esta etapa del proceso de configuración será ignorada.

*Nota: Si usted ya tiene otros productos Formation conectados a su red Wi-Fi, la configuración de la Formation Flex no exigirá que introduzca la contraseña para acceder a dicha red.*

*Nota: Es posible sincronizar simultáneamente hasta ocho dispositivos Bluetooth con cada espacio Formation, aunque dichos dispositivos no se conectarán ni activarán automáticamente en los espacios asociados a los mismos.*

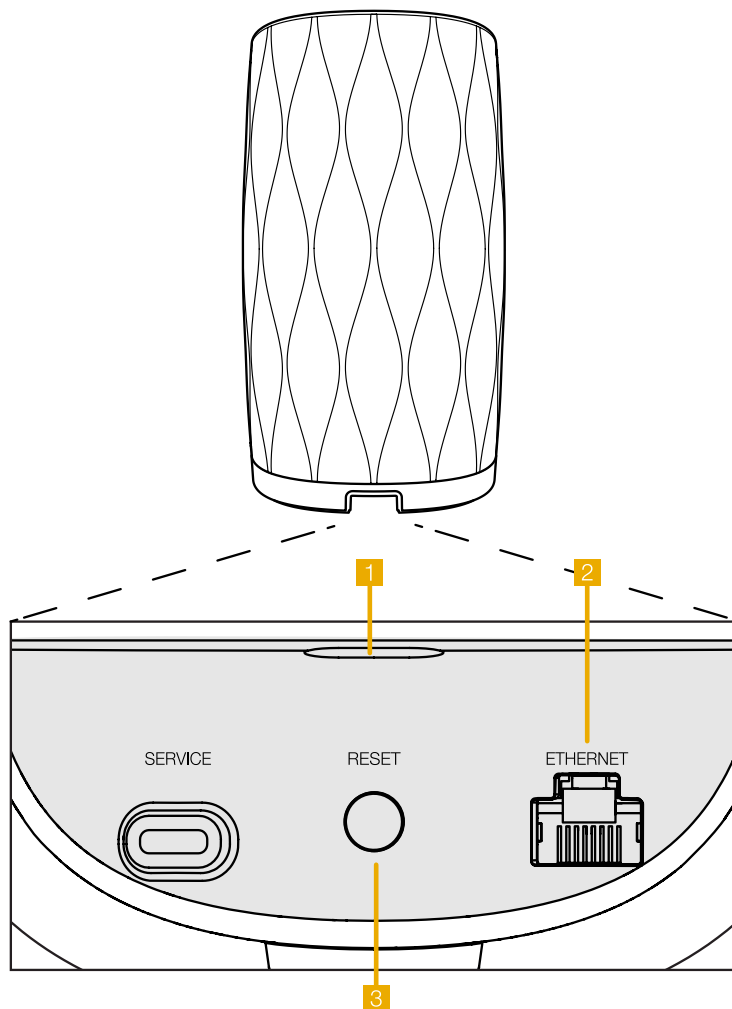


Diagrama 3  
Panel de conexiones de la Formation Flex

### 3. Utilizando Su Formation Flex

#### Aspectos Básicos

Usted puede utilizar su Formation Flex para reproducir sonido desde fuentes convencionales, desde servicios de streaming como Spotify, Apple Music o Tidal, desde el servicio de bibliotecas de música Roon y –mediante una app iRadio apropiada– desde radio de Internet. Si tiene otros dispositivos Formation conectados a su red, como por ejemplo un Formation Audio, las fuentes de audio convencionales conectadas al mismo también estarán disponibles para su Formation Flex.

#### Espacios

Los espacios son un concepto clave de la familia de productos Formation. Un "espacio" Formation es una sala o un área específica de su casa en la que usted escucha música. Cada espacio puede incluir combinaciones diferentes de productos Formation. Las configuraciones posibles se muestran en el Diagrama 4.

#### Reproducción de Señales de Audio

La Bowers & Wilkins Home app le permite seleccionar y reproducir cualquier fuente o flujo de audio disponible. No obstante, del mismo modo que la reproducción de fuentes de audio convencionales requiere un punto de partida mediante una orden de control, los flujos Formation deben ser previamente iniciados mediante su propia app de acceso: la Spotify app, por ejemplo, o una app para bibliotecas de música como Roon. Cada app de acceso o para bibliotecas incluirá su espacio Formation Flex en la lista de dispositivos disponibles para su escucha utilizando AirPlay, Bluetooth o, en el caso de Spotify, Spotify Connect.

Una vez que se están reproduciendo señales de audio en la red Formation, las mismas pueden ser seleccionadas vía Bowers & Wilkins Home app o mediante el botón táctil Form del panel superior de la Formation Flex. Tocando el botón Form podrá conmutar cíclicamente a lo largo de los flujos de señal y las fuentes disponibles.

#### Controles e Indicadores Luminosos del Panel Superior de la Formation Flex

Su Formation Flex incluye botones táctiles en su panel superior que le permiten controlar las funciones de reproducción/pausa, ajustar el nivel de volumen y seleccionar el flujo de señal/fuente de audio.

- Tocando el botón Play/Pause ►||, la reproducción de señales de audio se detendrá y reiniciará alternativamente.

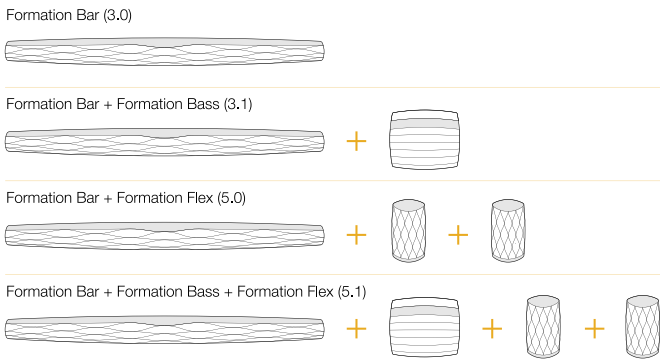
*Nota: El botón Play/Pause funcionará única y exclusivamente si la fuente de streaming incluye funciones de reproducción (play) y pausa (pause) a las que se pueda acceder vía Bluetooth o conexiones de red.*

- Tocando volume + o volume - se ajustará el nivel de volumen local de cualquier fuente local o de cualquier flujo de audio presente en la red. Pulsando y manteniendo pulsados los botones + y - se logrará que el nivel de volumen aumente o disminuya de manera continua.
- Tocando el botón Form se provocará la conmutación cíclica entre la reproducción de flujos de audio activos y fuentes tradicionales disponibles para la Formation Flex.

#### Iluminación del Botón Form

La iluminación del botón Form de la Formation Flex cambia para indicar varios estados operativos. Las iluminaciones disponibles se muestran en el Diagrama 5.

#### Configuraciones de Espacio para TV



#### Configuraciones de Espacio para Música

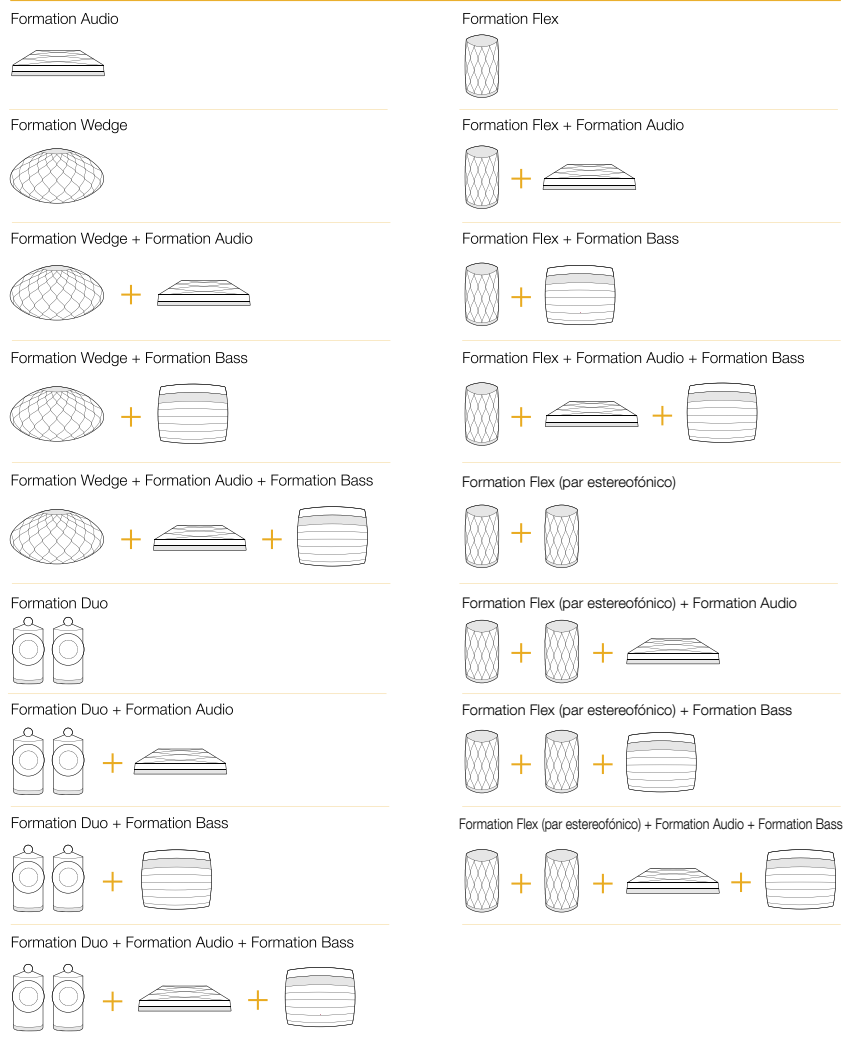


Diagrama 4  
Configuraciones de Espacio disponibles



#### 4. La Bowers & Wilkins Home App

Con la Formation Flex ya configurada y conectada a su red doméstica, la Bowers & Wilkins Home app se abrirá en su pantalla Home en el espacio donde esté situado aquél, a la vez que mostrará –en una lista-cualquier otro espacio Formation disponible.

Toque un espacio Formation para seleccionar cualquier flujo de audio o fuente de entrada disponible. Si no hay flujos de audio disponibles, abra una app de streaming –Spotify, por ejemplo- y seleccione un tema para su reproducción, seleccionando a continuación el Espacio Formation en la lista de dispositivos para reproducción disponibles. Ahora, cuando usted vuelva a la Bowers & Wilkins Home app el flujo de audio Spotify figurará en la lista de la página de espacios de la Formation Flex.

La página de la Bowers & Wilkins Home app incluye un icono Settings en su esquina superior derecha. Toque el icono para abrir el menú Settings de la app. El menú Settings proporciona opciones para configurar y reinicializar sus dispositivos Formation y renombrar sus espacios Formation. Asimismo, tanto las actualizaciones de firmware de la app como del dispositivo Formation se inician también desde el menú Settings.

#### Encontrando Su Camino a Través de la Bowers & Wilkins Home App

La Bowers & Wilkins Home app buscará espacios Formation disponibles cuando sea abierta y a continuación muestre su página Home con la lista de espacios.

Debajo de cada espacio, la app mostrará su actividad en ese momento concreto. Tocando un espacio activo hará que se abra una pantalla “now playing” que activa el control de volumen y las funciones de reproducción/pausa.

La pantalla “now playing” también proporciona una opción llamada “Available Spaces” que permite al flujo de audio reproducido en el espacio seleccionado ser transferido a otro espacio o reproducido en múltiples espacios. La pantalla “Available Spaces” también proporciona la oportunidad de controlar el nivel de volumen tanto globalmente a lo largo de todos los espacios como en espacios individuales.

La página Settings de la Bowers & Wilkins Home app se abre tocando el icono settings. El menú Settings inicial muestra cada espacio y el número de dispositivos Formation presentes en el mismo.

Tocando un espacio que figure en la lista del menú Settings permite acceder a dicho Espacio y a los ajustes de dispositivo Formation. Toque el nombre del Espacio para acceder a los ajustes del espacio pertinente y toque el nombre del dispositivo para acceder a los ajustes de dicho dispositivo. Los ajustes de dispositivo disponibles dependerán del dispositivo en cuestión.

*Nota: Si el icono Settings de la Bowers & Wilkins Home app muestra un punto amarillo, significa que hay una actualización de firmware Formation disponible. El proceso de actualización de firmware se inicia desde el menú Settings. Usted debería tener siempre actualizados tanto la Bowers & Wilkins Home app como sus dispositivos Formation con, respectivamente, la versión y el firmware más recientes. Ello no sólo le ayudará a asegurar las prestaciones más fiables posibles sino también a beneficiarse de nuevas funcionalidades Formation.*

#### 5. Flujos de Audio y Fuentes Formation

##### Usando Spotify

Utilice su teléfono móvil, tableta u ordenador como un mando a distancia para Spotify. Para saber cómo hacerlo, diríjase a [spotify.com/connect](https://spotify.com/connect).

El Software Spotify está sujeto a licencias de otras marcas que se podrán encontrar aquí: <https://spotify.com/connect/third-party-licenses>.

##### Usando AirPlay

AirPlay activa apps de audio en un teléfono móvil, un ordenador portátil o un ordenador de sobremesa de Apple para reproducir contenidos por streaming desde una red a dispositivos compatibles AirPlay, como por ejemplo la Formation Flex. Las apps compatibles AirPlay mostrarán el icono AirPlay.

Utilice AirPlay para abrir la app de audio que desee usar y seleccione la música que quiera escuchar. Toque el icono AirPlay para mostrar la lista de dispositivos disponibles seguida por el Espacio Formation que desee utilizar.

*Nota: Es posible enviar señales de audio por streaming vía AirPlay a múltiples dispositivos simultáneamente, aunque también es posible que tanto la calidad de la reproducción como la sincronización dependan de las capacidades de su red doméstica. Si desea reproducir simultáneamente contenidos en más de un espacio Formation, la sincronización puede mejorarse de manera sustancial seleccionando múltiples espacios en la Bowers & Wilkins Home app.*

##### Usando Roon

Roon es una rica funcionalidad concebida para almacenar y reproducir música que compila todos los archivos de música disponibles en su red y hace que los mismos estén fácilmente disponibles para ser reproducidos a lo largo de sus Espacios Formation y en cualquier otro dispositivo de audio que integre Roon. Roon está disponible para teléfonos móviles, ordenadores portátiles y ordenadores de sobremesa.

Cuando usted abra Roon, le mostrará su biblioteca de audio al completo con sus respectivos metadatos e ilustraciones, así como todos los Espacios Formation y cualquier otro dispositivo de audio presente en su red doméstica. Basta con que seleccione la música que quiere escuchar y el espacio Formation donde la quiere oír.

*Nota: Es posible enviar señales de audio por streaming vía Roon a múltiples dispositivos simultáneamente, aunque también es posible que tanto la calidad de la reproducción como la sincronización dependan de las capacidades de su red doméstica. Si desea reproducir simultáneamente contenidos en más de un espacio Formation, la sincronización puede mejorarse de manera sustancial seleccionando múltiples espacios en la Bowers & Wilkins Home app.*

##### Usando Bluetooth

Bluetooth activa apps de audio en un teléfono móvil, un ordenador portátil o un ordenador de sobremesa compatible para reproducir contenidos por streaming vía conexión inalámbrica a hardware compatible, como por ejemplo la Formation Flex. Las apps compatibles Bluetooth mostrarán el icono Bluetooth.

Para utilizar la funcionalidad Bluetooth, asegúrese en primer lugar de que el Espacio Formation requerido esté seleccionado en el menú de ajustes de su dispositivo Bluetooth y a continuación abra la app de audio que desee usar y seleccione la música que quiera escuchar. Toque el icono de dispositivos de reproducción para mostrar la lista de aquellos que están disponibles seguida por el Espacio Formation que desee utilizar.

#### 6. Limpieza

En el caso de que su Formation Flex necesitara ser limpiada, usted puede aplicar una gamuza limpia y libre de pelusa a su panel superior y cepillar su rejilla con un cepillo suave. Si desea utilizar algún líquido de limpieza, aplíquelo a la gamuza de limpieza pero no directamente a la Formation Flex. Pruebe en primer lugar con áreas pequeñas puesto que es posible que algunos productos de limpieza dañen ciertas superficies. Evite productos abrasivos o que contengan ácido, álcali o agentes antibacterianos.

#### 7. Soporte

En el caso de que necesitara más ayuda o consejos sobre su Formation Flex, le rogamos que visite el sitio web de soporte Formation en [www.bowerswilkins.com/support](http://www.bowerswilkins.com/support).

##### Información Medioambiental

Este producto satisface varias regulaciones internacionales relacionadas con la protección del medio ambiente, entre ellas –aunque sin estar limitadas a las mismas- la de Restricción del Uso de Sustancias Peligrosas (RoHS) en equipos eléctricos y electrónicos, la de Registro, Evaluación y Autorización del uso de Productos Químicos REACH) y la de eliminación de Residuos Procedentes de Equipos Eléctricos y Electrónicos (WEEE). Para reciclar o desechar este producto adecuadamente, le sugerimos que contacte con sus autoridades locales en materia de gestión de residuos.

Indicador	Estado operativo
Blanco intermitente	Arranque en curso
Amarillo pulsante	Preparado para configuración
Amarillo intermitente	Actualización de firmware en curso
Blanco pulsante	Extracción de audio en curso
Rojo pulsante	Error – contacte con el servicio de atención al cliente
Rojo estacionario	Error – contacte con el servicio de atención al cliente
Rojo intermitente	Reinicialización a los ajustes de fábrica en curso

Diagrama 5  
Iluminaciones disponibles para el botón Form

## Bem-vindo à Bowers & Wilkins e à Formation Flex.

Obrigado por escolher a Formation. Quando John Bowers fundou a Bowers & Wilkins, ele acreditava que um design criativo, uma engenharia inovadora e uma tecnologia avançada eram as chaves que poderiam abrir as portas para se desfrutar do áudio em casa. Essa crença, que continua a inspirar-nos em cada produto que desenvolvemos, encontrou na Formation a sua maior expressão até agora.

A Formation Flex é uma coluna ativa sem fios ligada à rede que proporciona um elevadíssimo desempenho de reprodução de transmissões de áudio Formation. A Formation Flex foi concebida para ser controlada principalmente através da aplicação Bowers & Wilkins Home. A aplicação está disponível para dispositivos iOS e Android. Algumas funções de controlo mais comuns estão também disponíveis através dos botões táteis no painel superior da Formation Flex. Apenas é possível instalar e configurar a Formation Flex utilizando a aplicação Bowers & Wilkins Home.

A Formation Flex permite-lhe:

- Ouvir áudio de serviços de transmissão tais como o Spotify, Apple Music e Roon.
- Ouvir ficheiros de áudio armazenados na rede.
- Ouvir áudio através de Bluetooth a partir de dispositivos devidamente compatíveis com a tecnologia.
- Ouvir áudio a partir de dispositivos como gira-discos (através de um pré-amplificador Phono) e leitores de CD que estejam ligados a um Formation Audio da Bowers & Wilkins.
- Ouvir áudio, tal como rádio na Internet, através de Airplay ou de serviços e aplicações compatíveis com Bluetooth.
- Ouvir áudio em reprodução em qualquer ponto da casa em qualquer dispositivo Formation ligado à sua rede doméstica.

A aplicação Bowers & Wilkins Home é necessária para ligar a Formation Flex à sua rede doméstica e também para estabelecer ligação com outros produtos Formation na sua casa. A aplicação Bowers & Wilkins Home também disponibiliza algumas funções de controlo e configuração durante a utilização. Antes de começar a instalar a sua Formation Flex, transfira e instale a aplicação Bowers & Wilkins Home no seu dispositivo iOS ou Android. A aplicação Bowers & Wilkins Home requer a versão 11.4 ou mais recente do iOS ou a versão 8.1 ou mais recente do Android. Os serviços de Bluetooth e Wi-Fi devem estar ativados no seu dispositivo iOS ou Android. Necessitará também da palavra-passe da sua rede Wi-Fi.

*Nota: Os Serviços de Localização devem estar ativados nos dispositivos Android durante o processo de configuração do produto Formation. Isto deve-se ao facto de os produtos Formation utilizarem um modelo de Bluetooth de baixo consumo de energia (BT-LE) para comunicação de serviços, o que, nos dispositivos Android, apenas se encontra ativo quando os Serviços de Localização estão ativados. A Bowers & Wilkins não utiliza quaisquer dados de serviços de localização para fins de marketing.*

## 1. Conteúdos da caixa da Formation Flex

Formation Flex  
 Conjunto de cabo de alimentação adequado ao seu país  
 Conjunto de documentos

## 2. Instalar a sua Formation Flex

É possível usar a Formation Flex numa série de situações — como coluna mono autónoma, como par estéreo compacto, ou como colunas de surround traseiras numa configuração de cinema em casa 5.1.

Quando utilizadas como um par estéreo, as Formation Flex devem estar, pelo menos, a uma distância de 1 m (3 pés) entre si e a uma distância semelhante da zona de audição. Se as colunas estiverem muito juntas, pode faltar escala à reprodução estéreo; se estiverem muito separadas, o foco do estéreo pode ser fraco. Não há necessidade de colocar a Formation Flex em ângulo para dentro, para a zona de audição, mas fazê-lo pode estreitar o foco do estéreo. A Imagem 1 mostra o posicionamento básico das colunas.

Quando utilizadas como colunas traseiras numa configuração de cinema em casa 5.1, as suas Formation Flex devem ser colocadas o mais perto possível de 120 graus em relação à coluna central dianteira, tal como ilustrado na Imagem 2.

A sua Formation Flex necessita de uma fonte de alimentação elétrica para ser utilizada, pelo que precisa de estar colocada ao alcance de uma tomada elétrica. Se vai utilizar a sua Formation Flex através de uma ligação com fios à sua rede doméstica, esta necessitará de estar colocada ao alcance de um cabo de rede (Ethernet) adequado.

Caso pretenda colocar a sua Formation Flex numa prateleira, certifique-se de que a mesma é capaz de suportar o seu peso.

Como a grande maioria das colunas, a sua Formation Flex irradia energia sonora não só para a frente, mas também para os lados e para trás. Consequentemente, se a sua Formation Flex estiver posicionada perto dos limites da divisão, ou especialmente num canto, os sons graves podem ser demasiado enfatizados. Se achar que os sons graves da sua Formation Flex estão exagerados, movê-la para uma posição alternativa pode ser benéfico, mas também pode ajustar o nível dos graves através do menu de definições da aplicação Bowers & Wilkins Home.

### Ligações

Para além de uma tomada elétrica **1**, a sua Formation Flex possui uma tomada Ethernet **2** para ligação a um router caso prefira uma ligação com fios em vez de uma ligação sem fios (Wi-Fi).

*Nota: A entrada USB situada no painel traseiro da Formation Flex destina-se apenas a intervenções técnicas e de diagnóstico. Não pode ser usada para qualquer outro fim.*

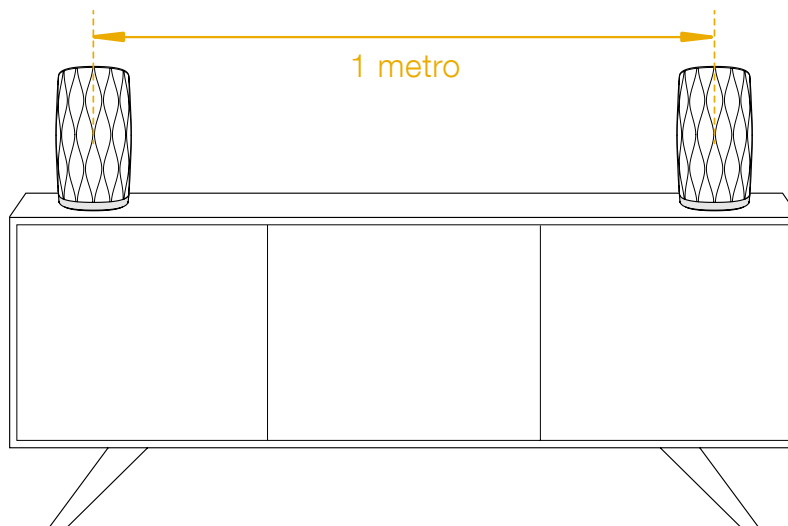


Imagem 1  
 Posicionamento estéreo

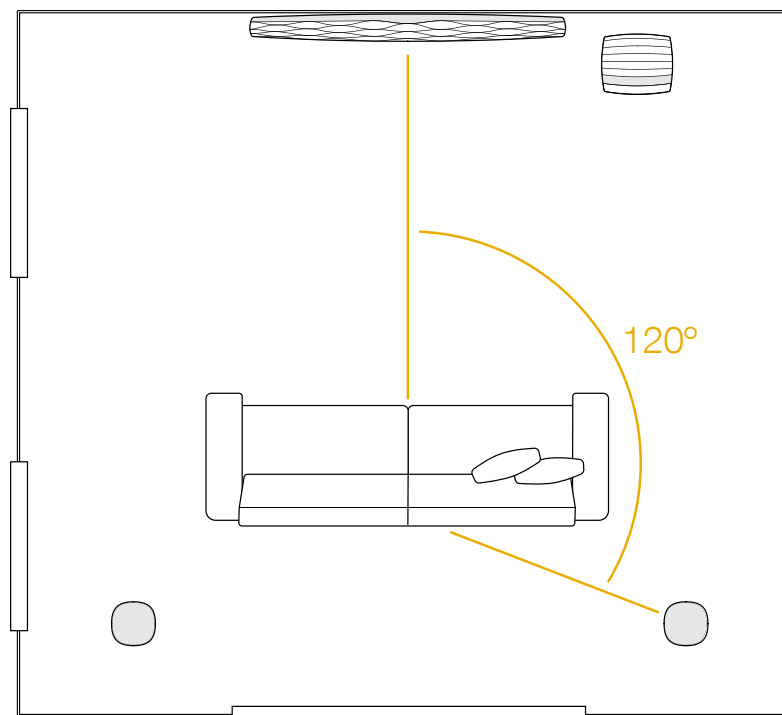

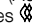



Imagem 2  
 Posicionamento cinema em casa

### Ligar e desligar

Depois de realizadas todas as ligações e de a aplicação Bowers & Wilkins Home estar instalada no seu dispositivo móvel, a sua Formation Flex está pronta a ser configurada. A sua Formation Flex não tem botão de alimentação e, após uma breve rotina de inicialização, ficará operacional assim que estiver ligada à fonte de alimentação. Assim que a rotina de inicialização estiver concluída, reproduzirá um sinal sonoro.


Quando uma Formation Flex que não tenha sido utilizada anteriormente é ligada pela primeira vez, entrará automaticamente no modo de configuração para permitir a ligação à sua rede doméstica e a quaisquer outros dispositivos Formation disponíveis. O modo de configuração é indicado através de uma luz âmbar que pulsa de forma lenta no botão tátil Form . A Formation Flex também aparecerá na aplicação Bowers & Wilkins Home como disponível para configurar, seja na página inicial da aplicação ou após selecionar "Add Formation product" (Adicionar produto Formation) na página de definições  da aplicação.

A sua Formation Flex gere o respetivo estado de funcionamento e consumo de energia de forma completamente automática e entrará no modo de poupança de energia após vinte minutos de inatividade. Não existe a necessidade de desligar a Formation Flex; no entanto, caso o pretenda fazer, basta desligá-la da fonte de alimentação. A Formation Flex guardará as respetivas definições mesmo sem estar ligada à rede elétrica.

Pode reiniciar uma Formation Flex premindo por breves instantes e soltando o botão de reinício  situado no painel traseiro. Premir o botão desligará e ligará novamente a Formation Flex. Todas as definições serão mantidas quando a Formation Flex reiniciar. Também pode reiniciar a Formation Flex através da página de definições da aplicação Bowers & Wilkins Home.


Caso pretenda repor as definições de origem da Formation Flex, mantenha o botão de reinício premido durante cinco segundos. Ao reiniciar, a Formation Flex entrará no modo de configuração. Todas as definições serão eliminadas quando a Formation Flex reiniciar. Também pode reiniciar a Formation Flex através do menu de definições da aplicação Bowers & Wilkins Home.

### Configuração de rede

- Com a sua Formation Flex em modo de configuração, com as luzes indicadoras do botão Form  a pulsar lentamente a âmbar, abra a aplicação Bowers & Wilkins Home no seu dispositivo iOS ou Android. A aplicação irá orientá-lo ao longo do processo de configuração.

*Nota: A Formation Flex estabelece uma ligação Bluetooth ao dispositivo que executa a aplicação Bowers & Wilkins Home durante o processo de configuração. Os sinais Bluetooth têm um alcance relativamente curto e podem ser interrompidos pelos limites das divisões. Por isso, recomendamos que mantenha o seu dispositivo com a aplicação Bowers & Wilkins Home perto da Formation Flex durante o processo de configuração.*

- No modo de configuração, a aplicação Bowers & Wilkins Home começará por procurar produtos Formation e apresentará um ecrã solicitando a seleção de um deles. Toque para selecionar a Formation Flex. Se já configurou um produto Formation e está a adicionar outro, selecione "Add Formation product" (Adicionar produto Formation) no menu de definições da aplicação.

- A aplicação Bowers & Wilkins Home solicitar-lhe-á que adicione um nome ao "espaço" onde a Formation Flex vai ser utilizada. Uma lista de nomes predefinidos será apresentada, mas também poderá criar o seu próprio nome. Após ter selecionado ou criado um nome para o espaço, a aplicação solicitará que toque no botão Form  na parte superior da Formation Flex para confirmar a seleção.
- Se pretender utilizar uma ligação de rede sem fios com a Formation Flex, a próxima etapa de configuração irá ligar a sua Formation Flex à sua rede Wi-Fi doméstica. A aplicação solicitará que confirme a rede Wi-Fi correta e que insira a sua palavra-passe. Em alternativa, caso a Formation Flex esteja ligada ao seu router de rede através de um cabo Ethernet, esta etapa do processo de configuração será ignorada.

*Nota: Se já tiver outros produtos Formation ligados à sua rede Wi-Fi, a configuração da Formation Flex não lhe solicitará que introduza a palavra-passe do Wi-Fi.*

- Com a configuração da rede Wi-Fi e a seleção do espaço concluídas, a sua Formation Flex está pronta a ser utilizada. A Formation Flex reproduzirá um sinal sonoro para confirmar que a configuração foi bem-sucedida.

### Configuração do Bluetooth

Pode ligar a Formation Flex a um dispositivo de áudio compatível com Bluetooth, como por exemplo um smartphone, para reproduzir áudio através de Bluetooth. A Formation Flex deve, em primeiro lugar, ser emparelhada com o dispositivo de áudio Bluetooth.

Assim que concluir a configuração de rede da Formation Flex, abra a página de definições da aplicação Bowers & Wilkins Home e selecione o espaço Formation com o qual pretende emparelhar um dispositivo Bluetooth. Em seguida, selecione "+ Pair a new device" (Emparelhar um novo dispositivo) no menu de Bluetooth e siga as instruções da aplicação para concluir o emparelhamento. A Formation Flex reproduzirá um sinal sonoro quando o emparelhamento for concluído e o seu espaço ficará disponível para o dispositivo Bluetooth emparelhado para reprodução de áudio.

*Nota: É possível emparelhar até oito dispositivos Bluetooth em simultâneo em cada espaço Formation; no entanto, os dispositivos não se ligarão e reproduzirão automaticamente nos espaços emparelhados.*

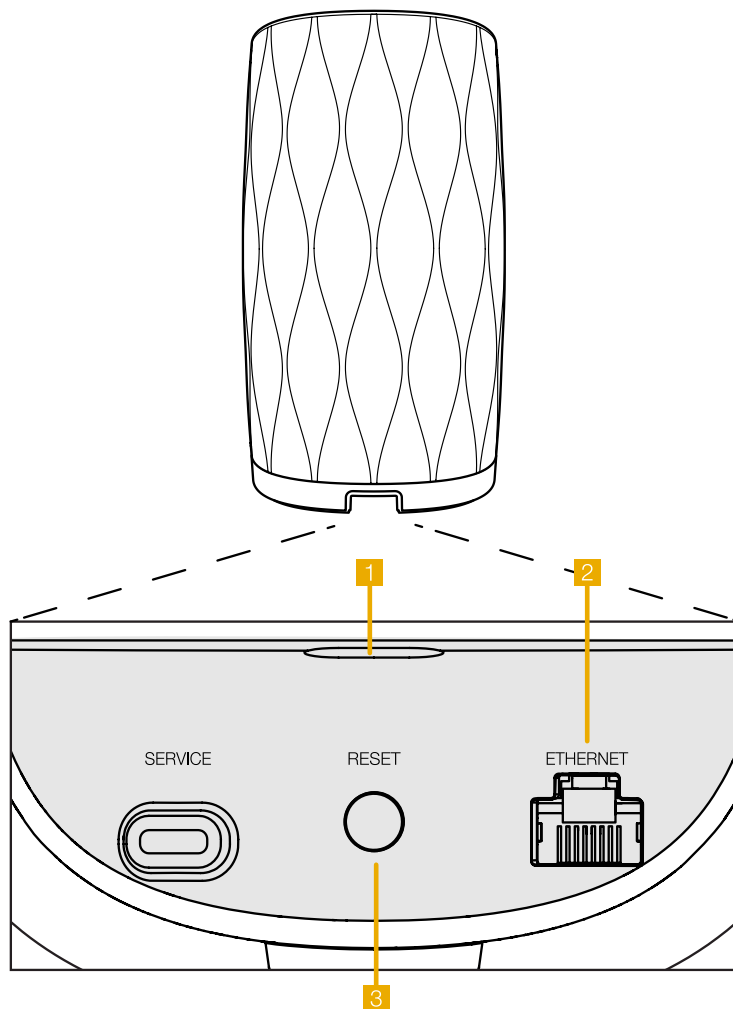


Imagem 3  
Painel de ligação da Formation Flex

### 3. Usar a sua Formation Flex

#### Aspetos básicos

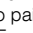
Pode utilizar a Formation Flex para reproduzir áudio de serviços de transmissão tais como o Spotify, Apple Music e Tidal, do serviço de biblioteca de músicas Roon e a partir de rádio na Internet através de uma aplicação iRadio adequada. Caso tenha outros dispositivos Formation ligados à sua rede, como por exemplo um Formation Audio, as fontes de áudio convencionais a ela ligadas também estarão disponíveis através da Formation Flex.

#### Espaços

Os espaços são um conceito central da família de produtos Formation. Um "espaço" Formation é uma divisão ou uma área específica da sua casa onde costuma ouvir música. Cada espaço pode incluir diferentes combinações de produtos Formation. As possíveis configurações estão ilustradas na Imagem 4.

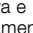
#### Reproduzir áudio

A aplicação Bowers & Wilkins Home permite-lhe selecionar e reproduzir qualquer fonte de áudio ou transmissão disponível. No entanto, tal como a reprodução de áudio de qualquer fonte convencional requer um início através de um comando de reprodução, as transmissões Formation também têm de ser iniciadas através da respetiva aplicação gateway: a aplicação Spotify, por exemplo, ou uma aplicação de bibliotecas de música tal como o Roon. Cada aplicação gateway ou de bibliotecas de música mostrará o seu espaço Formation Flex como um dispositivo de reprodução disponível para utilizar através de Airplay, Bluetooth, ou, no caso do Spotify, Spotify Connect.

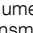

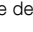
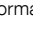
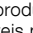
Assim que as transmissões de áudio estiverem a ser reproduzidas na rede Formation, estas podem ser selecionadas através da aplicação Bowers & Wilkins Home ou através do botão tátil Form  no painel frontal da Formation Flex. Tocar no botão Form percorrerá as transmissões e fontes disponíveis.

#### Controlos do painel superior da Formation Flex

A Formation Flex tem botões táteis no painel superior que permitem o controlo de funções como reproduzir/pausa, o ajuste de volume e a seleção de fontes/transmissões.

- Tocar no botão reproduzir/pausa  para e reinicia a reprodução de áudio alternadamente.

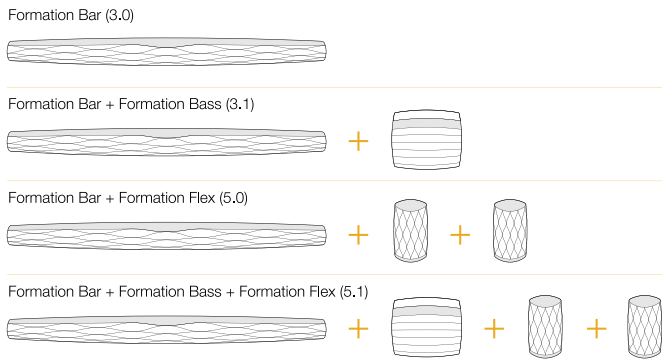
*Nota: O botão reproduzir/pausa só funcionará se a fonte da transmissão suportar estas mesmas funções e se for possível aceder às mesmas através de ligações Bluetooth ou de rede.*

- Tocar em aumentar  ou diminuir  volume ajustará o volume local de quaisquer transmissões de rede ou fonte local. Manter premidos os botões  e  aumentará ou diminuirá o volume de forma contínua.
- Tocar no botão Form  percorrerá e reproduzirá as transmissões e fontes ativas disponíveis para a Formation Flex.

#### Luzes indicadoras do botão Form

As luzes indicadoras do botão Form da Formation Flex mudam de forma a indicar uma variedade de estados de funcionamento. As luzes indicadoras encontram-se ilustradas na Imagem 5.

#### Configurações do espaço de TV



#### Configurações do espaço de Música

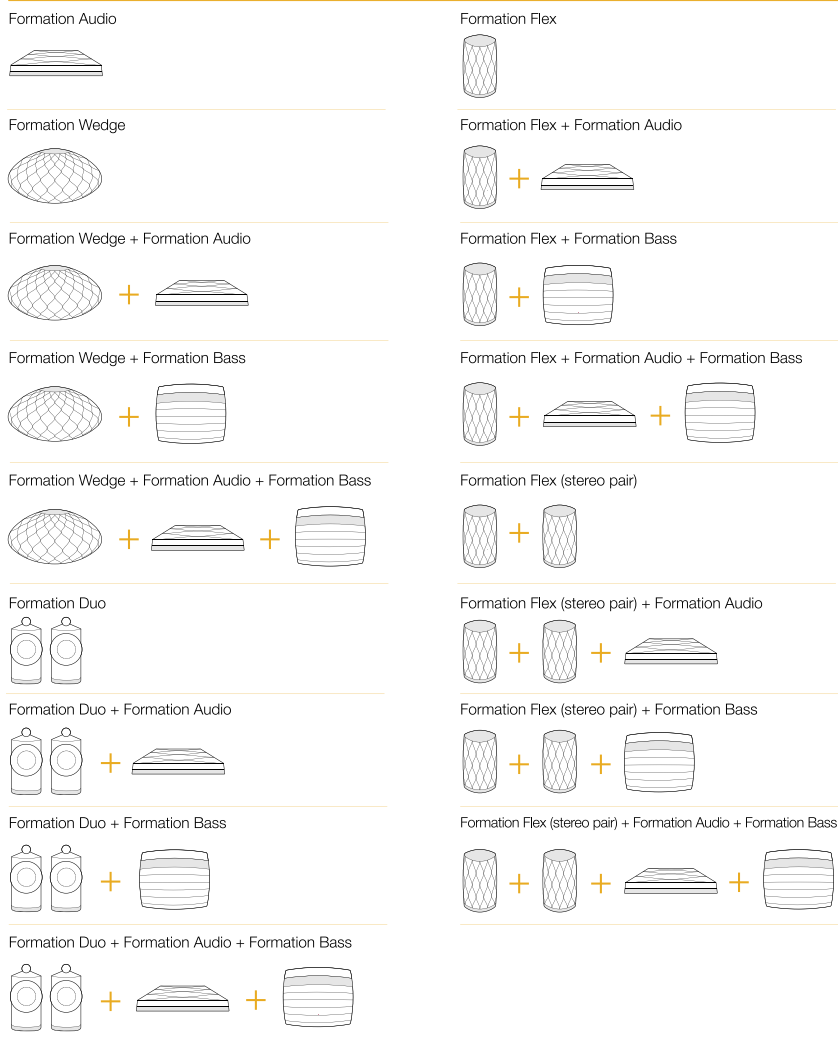


Imagem 4  
Configurações do espaço



## 4. A aplicação Bowers & Wilkins Home

Com a Formation Flex configurada e ligada à rede, a aplicação Bowers & Wilkins Home abrirá o respetivo ecrã inicial, onde estão enumerados o espaço da Formation Flex e outros espaços Formation disponíveis.

Toque num espaço Formation para seleccionar quaisquer transmissões ou entradas disponíveis. Se não estiver disponível nenhuma transmissão, abra uma aplicação de transmissão de música, tal como o Spotify, e seleccione um item para reproduzir. Em seguida, seleccione o espaço Formation na lista de dispositivos disponíveis para reprodução. Agora, quando regressar à aplicação Bowers & Wilkins Home, a transmissão do Spotify estará indicada na página de espaços da Formation Flex.

A página inicial da aplicação Bowers & Wilkins Home tem um ícone de definições no canto superior direito. Toque no ícone para abrir o menu de definições da aplicação. O menu de definições coloca à disposição opções para configurar e repor os seus dispositivos Formation e para alterar o nome dos seus espaços Formation. As atualizações de firmware da aplicação e do dispositivo Formation também são iniciadas a partir do menu de definições.

### Descubra a aplicação Bowers & Wilkins Home

A aplicação Bowers & Wilkins Home irá procurar espaços Formation disponíveis assim que a iniciar e, em seguida, mostrará a lista dos espaços na respetiva página inicial.

Em baixo de cada espaço, a aplicação mostrará a sua atividade atual. Ao tocar num espaço ativo, abrirá um ecrã "now playing" (a reproduzir) que permite o controlo de volume e das funções reproduzir/pausa.

O ecrã "now playing" (a reproduzir) também apresenta uma opção "Available Spaces" (Espaços disponíveis) que permite que a transmissão a ser reproduzida no espaço selecionado seja transferida para outro espaço ou reproduzida em vários espaços. O ecrã "Available Spaces" (Espaços disponíveis) também coloca à disposição o controlo de volume, tanto de forma global em todos os espaços como em espaços individuais.

Pode abrir a página de definições da aplicação Bowers & Wilkins Home tocando no ícone de definições. O menu de definições iniciais apresenta cada um dos espaços e o número de dispositivos Formation existentes em cada um.

Tocando num espaço apresentado no menu de definições, pode aceder às respetivas definições de espaço e Formation do dispositivo. Toque no nome do espaço para aceder às definições do espaço e toque no nome do dispositivo para aceder às definições do dispositivo. As definições do dispositivo disponíveis dependerão do dispositivo em causa.

*Nota: Se o ícone de definições da aplicação Bowers & Wilkins Home apresentar um ponto amarelo, isto indica que está disponível uma atualização de firmware Formation. O processo de atualização do firmware é iniciado através do menu de definições. Deve procurar sempre manter a aplicação Bowers & Wilkins Home e os seus dispositivos Formation atualizados com a mais recente versão e firmware. Isto contribuirá tanto para assegurar um desempenho mais fiável, como para beneficiar das novas funcionalidades Formation.*

## 5. Fontes e transmissões de música da Formation

### Utilizar o Spotify

Utilize o seu telemóvel, tablet ou computador como controlo remoto para o Spotify. Aceda a [spotify.com/connect](https://www.spotify.com/connect) para saber como.

O Software Spotify está sujeito a licenças de terceiros, que podem ser consultadas aqui: <https://www.spotify.com/connect/third-party-licenses>.

### Utilizar o Airplay

O Airplay permite que aplicações de áudio em dispositivos móveis, portáteis ou computadores Apple transmitam material através de uma rede para colunas compatíveis com Airplay, como a Formation Flex. As aplicações compatíveis com Airplay apresentarão o ícone do Airplay.

Para utilizar o Airplay, abra a aplicação de áudio que pretende utilizar e seleccione a música que pretende reproduzir. Toque no ícone do Airplay para apresentar uma lista de dispositivos disponíveis seguida do espaço Formation que pretende utilizar.

*Nota: É possível transmitir áudio através do Airplay em vários dispositivos em simultâneo. No entanto, a qualidade de reprodução e a sincronização podem depender da capacidade da sua rede doméstica. Se pretender reproduzir material simultaneamente em mais do que um espaço Formation, a sincronização pode ser consideravelmente melhorada selecionando múltiplos espaços através da aplicação Bowers & Wilkins Home.*

### Utilizar o Roon

O Roon é uma aplicação de biblioteca de músicas e de reprodução repleta de funcionalidades que recolhe todos os ficheiros de música disponíveis para a sua rede e os torna facilmente disponíveis para reproduzir em todos os seus espaços Formation e em quaisquer dispositivos de áudio compatíveis com o Roon. O Roon está disponível para dispositivos móveis, portáteis ou computadores.

Quando abrir o Roon, este apresentará a sua biblioteca de áudio completa com os respetivos metadados e elementos artísticos, juntamente com todos os espaços Formation e quaisquer outros dispositivos de áudio em rede disponíveis. Basta seleccionar a música que pretende reproduzir e o espaço Formation onde pretende ouvi-la.

*Nota: É possível transmitir áudio através do Roon em vários dispositivos em simultâneo. No entanto, a qualidade de reprodução e a sincronização podem depender da capacidade da sua rede doméstica. Se pretender reproduzir material simultaneamente em mais do que um espaço Formation, a sincronização pode ser consideravelmente melhorada selecionando múltiplos espaços através da aplicação Bowers & Wilkins Home.*

## Utilizar o Bluetooth

O Bluetooth permite que aplicações de áudio em dispositivos móveis, portáteis ou computadores transmitam material através de uma ligação sem fios para equipamentos compatíveis, como a Formation Flex. As aplicações de áudio compatíveis com Bluetooth apresentarão o ícone do Airplay.

Para utilizar o Bluetooth, certifique-se de que o espaço Formation necessário está selecionado no menu de definições de Bluetooth do seu dispositivo, abra a aplicação de áudio que pretende utilizar e seleccione a música que pretende reproduzir. Toque no ícone de dispositivos de reprodução para apresentar uma lista dos dispositivos disponíveis seguidos do espaço Formation que pretende utilizar.

## 6. Limpeza

Caso a sua Formation Flex precise de ser limpa, pode passar pela sua superfície superior um pano limpo e que não largue pelos e escovar a grelha com uma escova macia. Caso pretenda utilizar líquidos de limpeza, aplique-os num pano de limpeza e não diretamente na Formation Flex. Comece por testar numa área pequena, uma vez que alguns produtos de limpeza podem danificar algumas superfícies. Evite utilizar produtos abrasivos ou que contenham agentes ácidos, alcalinos ou antibacterianos.

## 7. Assistência

Caso necessite de ajuda ou aconselhamento adicional em relação à sua Formation Flex, aceda ao site de assistência Formation aqui: [www.bowerswilkins.com/support](http://www.bowerswilkins.com/support).

### Informação ambiental

Este produto cumpre as diretivas internacionais, incluindo mas não se limitando às seguintes normas: Diretiva relativa à restrição do uso de determinadas substâncias perigosas (RoHS: Restriction of Hazardous Substances) em equipamentos elétricos e eletrónicos; Regulamento relativo ao registo, avaliação, autorização e restrição de produtos químicos (REACH: Registration, Evaluation, Authorisation and Restriction of Chemicals) e Diretiva relativa aos Resíduos de Equipamentos Elétricos e Eletrónicos (REEE). Consulte uma entidade local de recolha de resíduos para obter informação sobre como reciclar ou eliminar este produto de forma correta.

Indicador	Estado de funcionamento
A piscar a branco	Inicialização em curso
A pulsar a âmbar	Pronto para configuração
A piscar a âmbar	Atualização de firmware em curso
A pulsar a branco	Transferência de áudio em curso
A pulsar a vermelho	Erro - contactar a assistência
Vermelho fixo	Erro - contactar a assistência
A piscar a vermelho	Reposição para os valores de fábrica em curso

Imagem 5  
Luzes indicadoras do botão Form

## Benvenuti e grazie per aver scelto un prodotto Bowers & Wilkins.

Quando John Bowers fondò Bowers & Wilkins era convinto che design attraente, capacità d'innovare e tecnologie all'avanguardia fossero fattori vincenti per generare il più alto piacere dalla riproduzione audio domestica. Questa sua certezza continua ad ispirare ogni prodotto che progettiamo e nella gamma Formation trova la sua più avanzata espressione.

Formation Flex è un diffusore amplificato collegato in rete, senza fili, di altissime prestazioni, capaci di riprodurre i flussi audio di un sistema Formation. Esso è destinato principalmente ad essere configurato e controllato tramite l'applicazione Bowers & Wilkins Home. L'applicazione è disponibile sia per dispositivi iOS che Android. Alcune tra le più comuni funzioni sono comandabili anche tramite i tasti presenti sul pannello superiore. È possibile installare e configurare Formation Flex unicamente tramite l'applicazione Bowers & Wilkins Home.

Formation Flex vi permetterà di:

- Ascoltare musica da servizi streaming come Spotify, Apple Music e Roon.
- Ascoltare file audio memorizzati in rete.
- Ascoltare file audio da dispositivi sorgente Bluetooth opportunamente abilitati.
- Ascoltare musica da sorgenti tradizionali come giradischi (tramite un apposito preamplificatore phono) e lettori CD collegati a Formation Audio.
- Ascoltare l'audio, come Internet Radio, da servizi e applicazioni compatibili con Airplay o Bluetooth.
- Ascoltare l'audio riprodotto in qualsiasi punto della vostra casa su qualsiasi dispositivo Formation connesso alla rete domestica.

L'applicazione Bowers & Wilkins Home è necessaria per connettere Formation Flex alla rete domestica e per stabilire una connessione con altri prodotti Formation presenti nella vostra casa. La stessa applicazione permette anche la configurazione dei prodotti ed il loro controllo. Prima di iniziare l'installazione di Formation Flex, scaricare e installare l'applicazione Bowers & Wilkins Home sul proprio dispositivo iOS o Android. L'applicazione Bowers & Wilkins Home richiede iOS V11.4 o successivo e Android V8.1 o successivo. I servizi Bluetooth e Wi-Fi devono essere abilitati sul vostro dispositivo iOS o Android. È inoltre necessario conoscere la password di accesso alla rete Wi-Fi.

*Nota: Sui dispositivi Android durante il processo di configurazione devono essere abilitati i servizi di localizzazione. Questo perché i prodotti Formation utilizzano per le comunicazioni di servizio una forma di Bluetooth a basso consumo (BT-LE) che sui dispositivi Android viene attivata solo abilitando i servizi di localizzazione. Bowers & Wilkins non utilizza i dati dei servizi di localizzazione per scopi marketing.*

## 1. Contenuto della confezione

Formation Flex  
Cavo di alimentazione elettrica con spina adatta alle prese del vostro Paese  
Documentazione

## 2. Installazione di Formation Flex

Formation Flex può essere utilizzato in una vasta gamma di situazioni: come singolo diffusore mono, come coppia stereo o come diffusore posteriore surround in una configurazione home theatre 5.1.

Se utilizzati in coppia stereo, i Formation Flex dovrebbero venir posizionati ad almeno 1 m di distanza l'uno dall'altro e ad una simile distanza rispetto all'area d'ascolto. Se i diffusori si trovano troppo vicini tra loro, la riproduzione stereo può risultare eccessivamente limitata in ampiezza; se sono troppo distanti, la focalizzazione dell'immagine potrebbe risentirne, creando una sorta di "buco" al centro. Non vi è necessità di angolare i Formation Flex verso l'area di ascolto, tuttavia ciò potrebbe contribuire a migliorare la messa a fuoco dell'immagine stereofonica. La Figura 1 illustra il posizionamento di base dei diffusori.

Quando utilizzati come diffusori posteriori in una configurazione home theatre 5.1, i Formation Flex devono essere collocati con un angolo di circa 120 gradi rispetto all'asse del diffusore frontale centrale, come indicato in Figura 2.

Formation Flex per funzionare richiede solo un collegamento di alimentazione e deve quindi essere collocato nelle vicinanze di una presa elettrica. Tuttavia, se per il collegamento al router di rete si preferisce utilizzare una connessione cablata dovrà essere posizionato in prossimità di quest'ultimo, compatibilmente con la lunghezza del cavo di rete (Ethernet) necessario.

Se si decide di posizionare Formation Flex su una mensola, assicurarsi che sia in grado di sostenerne il peso.

Come la stragrande maggioranza dei diffusori, Formation Flex irradia energia sonora non solo in avanti, ma anche di lato e dietro. Di conseguenza se Formation Flex viene posizionato troppo vicino alle pareti del locale, e particolarmente in un angolo, è molto probabile che la gamma bassa risulti esageratamente enfatizzata. In caso di bassi eccessivi, può essere utile trovare una posizione alternativa, ma è anche possibile attenuarli tramite i controlli di tono nel menù Impostazioni dell'applicazione Bowers & Wilkins Home.

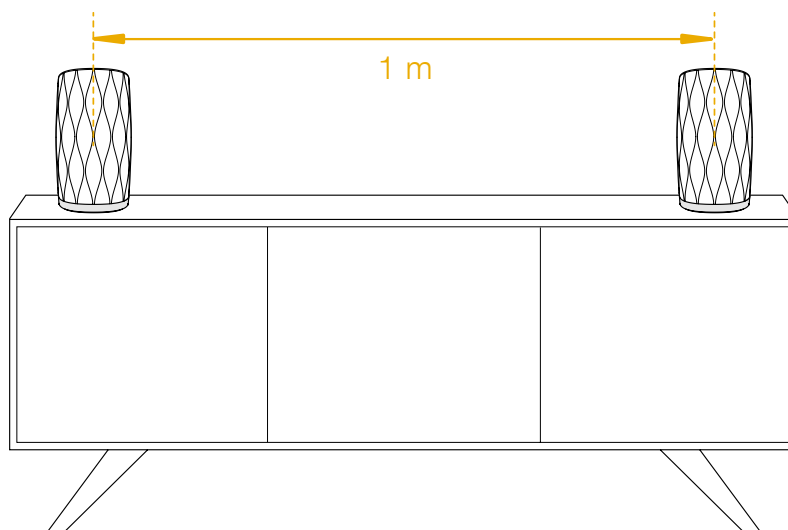


Figura 1  
Posizionamento in sistemi stereo

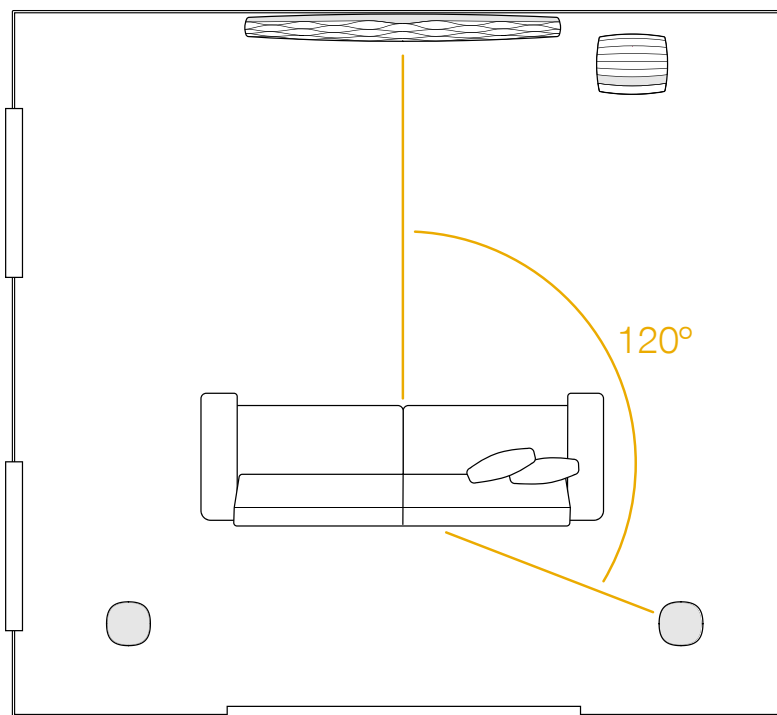


Figura 2  
Posizionamento in sistemi Home Theatre

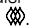
## Collegamenti

In aggiunta alla presa elettrica di alimentazione **1**, Formation Flex è dotato di una presa Ethernet **2** per il collegamento ad un router nel caso si preferisca una connessione di rete cablata a quella wireless (Wi-Fi).

*Nota: La presa USB sul pannello posteriore di Formation Flex è destinata unicamente all'assistenza e all'uso diagnostico. Non può venir utilizzata per altri scopi.*

## Accensione e spegnimento

Dopo aver effettuato tutti i collegamenti ed aver installato l'applicazione Bowers & Wilkins Home sul proprio dispositivo mobile, Formation Flex è pronto per essere configurato. Formation Flex non possiede un interruttore d'accensione e, dopo una breve routine di avvio, sarà operativo non appena collegato all'alimentazione elettrica. Una volta completata la routine di avvio viene emesso un segnale acustico.


Quando si accende per la prima volta un Formation Flex mai utilizzato in precedenza, esso entra automaticamente in modalità di configurazione per abilitare il collegamento alla rete domestica e a qualsiasi altro prodotto Formation disponibile. La modalità di configurazione viene indicata da impulsi di color ambra del tasto a sfioramento Formation . Formation Flex apparirà anche nell'applicazione Bowers & Wilkins Home come disponibile per la configurazione nella pagina iniziale, oppure dopo aver selezionato "Aggiungi prodotto Formation" nella pagina Impostazioni.

Formation Flex gestisce lo stato operativo e l'assorbimento elettrico in modo completamente automatico e passa alla modalità di risparmio energetico dopo venti minuti di inattività. Non vi è quindi alcuna necessità di spegnere il diffusore, ma se si desidera farlo, è sufficiente scollegarlo dalla rete elettrica. Formation Flex manterrà tutte le impostazioni effettuate anche una volta spento.


È possibile riavviare Formation Flex con una breve pressione sul tasto reset **3** sul pannello posteriore. Premendo il tasto si spegne e riaccende Formation Flex. Tutte le impostazioni verranno mantenute al riavvio. È anche possibile riavviarlo nella pagina Impostazioni dell'applicazione Bowers & Wilkins Home.

Se si desidera invece ripristinare le impostazioni predefinite di Formation Flex, tenere premuto il tasto reset per cinque secondi. Al riavvio Formation Flex entrerà in modalità di configurazione. Ripristinandolo in questo modo tutte le impostazioni vengono cancellate. È inoltre possibile ripristinare Formation Flex nella pagina Impostazioni dell'applicazione Bowers & Wilkins Home.

## Configurazione della rete

- Con Formation Flex in modalità di configurazione, segnalata dall'emissione di impulsi luminosi di color ambra del tasto Formation , avviare l'applicazione Bowers & Wilkins Home sul dispositivo iOS o Android. L'applicazione vi guiderà nel processo di configurazione.

*Nota: Formation Flex durante il processo di configurazione utilizza una connessione Bluetooth verso il dispositivo che esegue l'applicazione Bowers & Wilkins Home. Poiché i segnali Bluetooth hanno una portata relativamente ridotta e possono essere limitati dai confini dell'ambiente, si consiglia di mantenere il dispositivo che esegue l'applicazione Bowers & Wilkins Home in prossimità di Formation Flex durante il processo di configurazione.*

- L'applicazione Bowers & Wilkins Home prima di tutto ricerca i prodotti Formation in modalità di configurazione nelle vicinanze e visualizza una schermata che invita a sceglierne uno. Toccare per selezionare Formation Flex. Se è già stato configurato un prodotto Formation e se ne sta aggiungendo un altro, selezionare "Aggiungi prodotto Formation" dal menù Impostazioni dell'applicazione.
- L'applicazione Bowers & Wilkins Home vi inviterà a dare un nome allo "spazio" in cui verrà utilizzato Formation Flex. Viene proposto un elenco di nomi predefiniti, ma è possibile crearne di propri. Dopo aver selezionato, o creato, un nome per lo spazio, l'applicazione chiederà di toccare il tasto Formation  sulla sommità del Formation Flex per confermare la selezione.
- Se per il collegamento di Formation Flex alla rete domestica si preferisce utilizzare una connessione Wi-Fi, la fase successiva di configurazione riguarderà proprio la connessione wireless. L'applicazione vi chiederà di confermare il nome (SSID) della rete Wi-Fi e di inserire la password di accesso. Diversamente, se Formation Flex viene collegato alla rete mediante cavo Ethernet, questo passaggio della configurazione verrà saltato.

*Nota: Se alla rete Wi-Fi sono già connessi altri prodotti Formation, la configurazione di Formation Flex non richiede l'inserimento della password di accesso.*

- Dopo aver ultimato il collegamento alla rete e la selezione dello spazio, Formation Flex è pronto per l'uso. Formation Flex emette un segnale acustico per confermare il completamento della configurazione.

## Configurazione Bluetooth

È possibile collegare a Formation Flex una sorgente audio Bluetooth, ad esempio uno smartphone, per riprodurre musica tramite Bluetooth. Formation Flex deve prima essere "abbinato" con il dispositivo sorgente Bluetooth.

Una volta completato il collegamento alla rete di Formation Flex, aprire la pagina Impostazioni dell'applicazione Bowers & Wilkins Home e selezionare lo spazio a cui si desidera associare il dispositivo Bluetooth. Quindi selezionare "+ Abbina un nuovo dispositivo" dal menù Bluetooth e seguire le istruzioni dell'applicazione per completare l'abbinamento. Formation Flex, al termine dell'abbinamento e quando lo spazio cui appartiene è pronto a riprodurre l'audio proveniente dalla sorgente Bluetooth, emette un segnale acustico.

*Nota: Ad ogni spazio Formation possono essere abbinati contemporaneamente fino a otto dispositivi Bluetooth, tuttavia i dispositivi non si connettono agli spazi e riproducono musica automaticamente.*

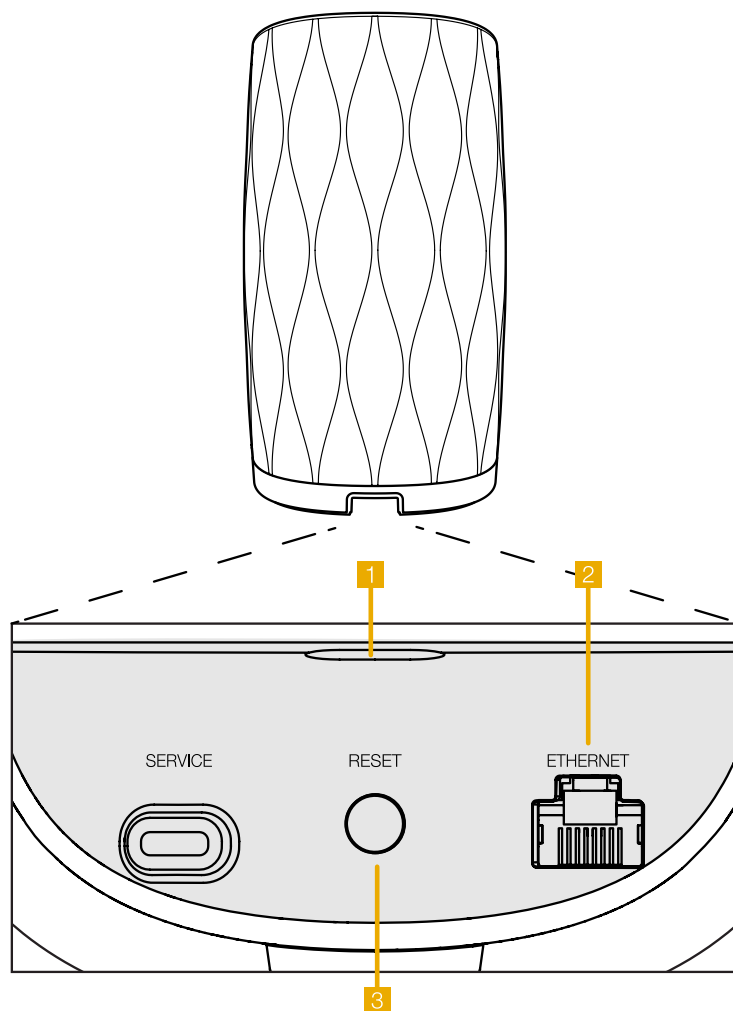


Figura 3  
Pannello posteriore Formation Flex

### 3. Utilizzo di Formation Flex

#### Le basi

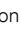
È possibile utilizzare Formation Flex per riprodurre l'audio da servizi di streaming come Spotify, Apple Music e Tidal, dal servizio di libreria musicale Roon e dalla radio Internet tramite un'apposita applicazione iRadio. Se alla rete domestica sono collegati altri dispositivi Formation, ad esempio Formation Audio, sarà possibile riprodurre attraverso di questo anche sorgenti audio convenzionali.

#### Spazi

Gli spazi sono un concetto basilare della suite di prodotti Formation. Uno "spazio" Formation è una stanza o un'area specifica della vostra casa in cui ascoltare musica. Ogni spazio può includere diverse combinazioni di prodotti Formation. Le possibili combinazioni sono indicate in Figura 4.

#### Riproduzione audio

L'applicazione Bowers & Wilkins Home consente di selezionare e riprodurre qualsiasi sorgente audio o streaming disponibile. Tuttavia, allo stesso modo in cui l'audio delle sorgenti convenzionali richiede di essere attivato mediante un comando di riproduzione, i flussi Formation devono prima essere avviati attraverso un'applicazione che garantisca le funzioni di gateway, ovvero l'inoltro dei dati verso l'esterno, come, ad esempio, Spotify o una libreria musicale tipo Roon. Ogni applicazione o libreria gateway elencherà lo spazio di Formation Flex come dispositivo di riproduzione disponibile impiegando Airplay, Bluetooth o nel caso di Spotify, Spotify Connect.

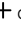
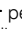

Una volta che i flussi audio vengono riprodotti sulla rete Formation possono essere selezionati tramite l'applicazione Bowers & Wilkins Home o tramite il tasto a sfioramento Formation  sulla sommità di Formation Flex. Toccando il tasto Formation si selezionano in rassegna i flussi e le sorgenti disponibili.

#### Controlli del pannello superiore e segnali luminosi

Formation Flex è dotato di tasti a sfioramento sulla sua sommità che forniscono il controllo di riproduzione/pausa, la regolazione del volume e la selezione della sorgente/flusso dati.

- Toccare il simbolo Riproduzione/Pausa  per avviare e fermare la riproduzione audio.

*Nota: Il comando riproduzione/pausa agisce solo se la sorgente del flusso dati dispone di funzioni di riproduzione e pausa accessibili tramite Bluetooth o connessioni di rete.*

- Toccare il simbolo volume  o  per regolare il volume locale di qualsiasi flusso di rete o sorgente in riproduzione. Mantenendo il dito sul simbolo il volume aumenta o diminuisce con continuità.
- Toccare il tasto Formation  per passare in rassegna e riprodurre i flussi dati e le sorgenti disponibili con Formation Flex.

#### Illuminazione del tasto Formation

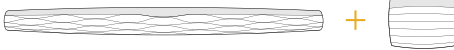
L'illuminazione del tasto Formation cambia per indicare i differenti stati operativi, come indicato nella tabella di Figura 5.

#### Combinazioni dello spazio TV

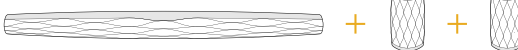
Formation Bar (3.0)



Formation Bar + Formation Bass (3.1)



Formation Bar + Formation Flex (5.0)



Formation Bar + Formation Bass + Formation Flex (5.1)



#### Combinazioni dello spazio musica

Formation Audio



Formation Wedge



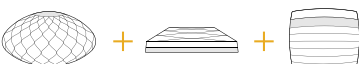
Formation Wedge + Formation Audio



Formation Wedge + Formation Bass



Formation Wedge + Formation Audio + Formation Bass



Formation Duo



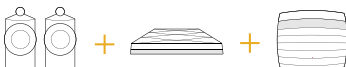
Formation Duo + Formation Audio



Formation Duo + Formation Bass



Formation Duo + Formation Audio + Formation Bass



Formation Flex



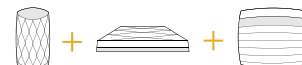
Formation Flex + Formation Audio



Formation Flex + Formation Bass



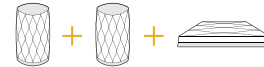
Formation Flex + Formation Audio + Formation Bass



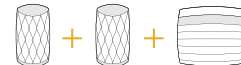
Formation Flex (coppia stereo)



Formation Flex (coppia stereo) + Formation Audio



Formation Flex (coppia stereo) + Formation Bass



Formation Flex (coppia stereo) + Formation Audio + Formation Bass

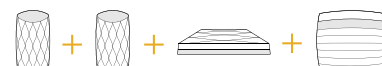


Figura 4  
Possibili combinazioni dei prodotti Formation

#### 4. Applicazione Bowers & Wilkins Home

Con Formation Flex configurato e collegato alla rete, avviando l'applicazione Bowers & Wilkins Home si apre la pagina iniziale dove vengono elencati lo spazio cui appartiene Formation Flex e gli altri spazi disponibili.

Toccare uno spazio Formation per selezionare uno dei flussi o degli ingressi disponibili. Se non vi sono flussi disponibili, avviare un'applicazione di streaming, ad esempio Spotify, e selezionare un brano da riprodurre, quindi scegliere lo spazio Formation dall'elenco dei dispositivi di riproduzione disponibili. Tornando all'applicazione Bowers & Wilkins Home, il flusso Spotify verrà elencato nella pagina dello spazio cui appartiene Formation Flex.

La pagina iniziale dell'applicazione Bowers & Wilkins Home ha un'icona Impostazioni nell'angolo in alto a destra. Toccare l'icona per aprire il menù Impostazioni dell'applicazione. Tale menù fornisce le opzioni per configurare e ripristinare le impostazioni dei dispositivi Formation e rinominare gli spazi Formation. Anche gli aggiornamenti dell'applicazione e del firmware dei vengono avviati dal menù Impostazioni.

#### Muoversi all'interno dell'applicazione Bowers & Wilkins Home

L'applicazione Bowers & Wilkins Home quando viene avviata cerca gli spazi Formation disponibili, quindi visualizza la pagina iniziale e l'elenco degli spazi.

Sotto ogni spazio l'applicazione mostrerà l'attività corrente. Toccando uno spazio attivo si aprirà la schermata "ora in riproduzione" mostrando i controlli di volume ed il comando riproduzione/pausa.

La schermata "ora in riproduzione" fornisce anche l'opzione "spazi disponibili" che consente di trasferire il flusso in riproduzione nello spazio selezionato in un altro spazio o di riprodurlo in più spazi. La schermata "spazi disponibili" offre anche l'opportunità di controllare il volume, sia globalmente in tutti gli spazi, sia nei singoli spazi.

La pagina Impostazioni dell'applicazione Bowers & Wilkins Home si apre toccando l'icona delle impostazioni. Il menù iniziale elenca ogni spazio ed il numero di dispositivi Formation presenti in ciascuno di essi.

Toccano uno spazio è possibile accedere alle impostazioni relative a quello spazio ed ai dispositivi Formation associati. Toccare il nome dello spazio per accedere alle impostazioni dello spazio ed il nome del dispositivo per accedere alle sue impostazioni. Le impostazioni disponibili dipendono dal tipo di dispositivo.

*Nota: Se nell'icona Impostazioni dell'applicazione Bowers & Wilkins Home è presente un punto giallo, ciò indica che è disponibile un aggiornamento del firmware Formation. Il processo di aggiornamento del firmware viene avviato dal menù Impostazioni. L'applicazione Bowers & Wilkins Home deve essere sempre aggiornata alla sua versione più recente e così il firmware dei dispositivi Formation. Questo non solo contribuisce a garantire prestazioni più affidabili, ma permette anche di beneficiare di ogni nuova funzione eventualmente aggiunta.*

#### 5. Flussi musicali e sorgenti Formation

##### Utilizzo di Spotify

Utilizzare il proprio smartphone, tablet o computer come telecomando per Spotify. Dettagliate istruzioni sono reperibili alla pagina <https://www.spotify.com/it/connect/>

Il software Spotify è soggetto a licenze di terze parti disponibili alla pagina <https://developer.spotify.com/legal/third-party-licenses>

##### Utilizzo di Airplay

Airplay consente alle applicazioni audio che girano su dispositivi mobili, computer portatili o fissi Apple di trasmettere musica tramite la rete verso dispositivi compatibili Airplay come Formation Flex. Le applicazioni abilitate Airplay visualizzeranno l'icona Airplay.

Per utilizzare Airplay, avviare l'applicazione audio che si desidera impiegare e selezionare la musica da riprodurre. Toccare l'icona Airplay per visualizzare l'elenco dei dispositivi disponibili seguito dallo spazio Formation dove si intende riprodurre musica.

*Nota: È possibile eseguire lo streaming di file audio tramite Airplay su più dispositivi contemporaneamente, tuttavia in questo caso la qualità della riproduzione e la sincronizzazione dipenderanno dalle capacità della rete domestica. Se si desidera riprodurre il materiale contemporaneamente in più di uno spazio Formation, la sincronizzazione può essere notevolmente migliorata selezionando più spazi attraverso l'applicazione Bowers & Wilkins Home.*

##### Utilizzo di Roon

Roon è una ricca libreria musicale e un'applicazione di riproduzione che cataloga tutti i file presenti all'interno della rete e li rende facilmente disponibili per la riproduzione in tutti gli spazi Formation e qualsiasi altro dispositivo audio abilitato Roon. Roon è disponibile per dispositivi mobili, computer portatili o fissi.

Quando si apre Roon verrà mostrata la vostra libreria audio completa con i metadati e le copertine insieme a tutti gli spazi Formation e a tutti gli altri dispositivi audio di rete disponibili. È sufficiente selezionare la musica che si desidera riprodurre e lo spazio Formation dove si desidera ascoltarla.

*Nota: È possibile trasmettere contemporaneamente file audio da Roon su più dispositivi, tuttavia in questo caso la qualità della riproduzione e la sincronizzazione dipenderanno dalle capacità della rete domestica. Se si desidera riprodurre il materiale contemporaneamente in più di uno spazio Formation, la sincronizzazione può essere notevolmente migliorata selezionando più spazi attraverso l'applicazione Bowers & Wilkins Home.*

##### Utilizzo del Bluetooth

Il Bluetooth consente alle applicazioni audio che girano su dispositivi mobili, computer portatili o fissi di trasmettere materiale in streaming tramite una connessione senza fili verso un hardware compatibile come Formation Flex.

Per utilizzare il Bluetooth, assicurarsi che nel menù impostazioni Bluetooth del dispositivo sia selezionato lo spazio Formation richiesto, avviare l'applicazione audio che si desidera impiegare e selezionare i file da riprodurre. Toccare l'icona dei dispositivi di riproduzione per visualizzare un elenco di quelli disponibili, seguito dallo spazio Formation dove si desidera diffondere musica.

#### 6. Pulizia

Se il vostro Formation Flex necessita di essere pulito, utilizzare un panno soffice per la superficie superiore ed una spazzola morbida per la griglia. Se si desidera impiegare un liquido detergente, applicarlo sul panno e non direttamente sull'apparecchio. Testare prima una piccola area, in quanto alcuni prodotti per la pulizia possono danneggiare la finitura delle superfici. Evitare prodotti abrasivi o contenenti agenti acidi, alcalini o antibatterici.

#### 7. Supporto

Per un ulteriore aiuto o consigli su Formation Flex, consultare le pagine dedicate all'assistenza: [www.bowerswilkins.com/it-it/support](http://www.bowerswilkins.com/it-it/support)

##### Informazioni per l'ambiente

Questo prodotto è realizzato in conformità alle normative internazionali sulla limitazione delle sostanze pericolose (RoHS) come pure sulla registrazione, valutazione, autorizzazione e limitazione delle sostanze chimiche (REACH) e sullo smaltimento delle apparecchiature elettriche ed elettroniche (WEEE). Fare riferimento alle indicazioni dell'autorità del vostro Paese per il corretto riciclo o smaltimento del prodotto.

Indicatore	Stato operativo
Bianco lampeggiante	Avvio in corso
Ambra pulsante	Pronto per la configurazione
Ambra lampeggiante	Aggiornamento firmware in corso
Bianco pulsante	Ricezione dati audio in corso
Rosso pulsante	Errore – contattare il supporto
Rosso fisso	Errore – contattare il supporto
Rosso lampeggiante	Ripristino impostazioni di fabbrica in corso

Figura 5  
Illuminazione del tasto Formation

## Welkom bij Bowers & Wilkins en Formation Flex.

Dank u om te kiezen voor Formation. Toen John Bowers het initiatief nam voor de oprichting van Bowers & Wilkins, was hij ervan overtuigd dat hij de consument met behulp van fantasierijke ontwerpen, innovatieve engineering en geavanceerde technologie thuis meer van muziek zou kunnen laten genieten. Die overtuiging vormt nog steeds de inspiratie voor elk product dat wij ontwerpen en in Formation komt dit op een tot dusver ongekennde wijze tot uiting.

Formation Flex is een via een netwerk verbonden, draadloze, actieve luidspreker die Formation-audiostreams met een uitzonderlijk hoge geluidskwaliteit weergeeft. Formation Flex is vooral bedoeld voor configuratie en bediening met de Home-app van Bowers & Wilkins. De app is zowel beschikbaar voor iOS- als voor Android-apparaten. Sommige veelgebruikte bedieningsfuncties zijn ook beschikbaar via knoppen op het bovenpaneel van de Formation Flex. Een Formation Flex is alleen met de & Wilkins Home-app te installeren en te configureren.

Met Formation Flex kunt u:

- Naar muziek luisteren vanaf streamingdiensten als Spotify, Apple Music en Roon.
- Naar op een netwerk opgeslagen audiobestanden luisteren.
- Via Bluetooth vanaf voor Bluetooth geschikte bronapparaten naar muziek luisteren.
- Vanaf apparaten zoals draaitafels (via een phono-voorversterker) en cd-spelers die zijn aangesloten op een Bowers & Wilkins Formation Audio naar muziek luisteren.
- Vanaf met Airplay of Bluetooth compatibele diensten en apps naar audio, zoals internetradio, luisteren.
- Naar muziek luisteren die ergens in huis op een met uw thuisnetwerk verbonden Formation-apparaat wordt afgespeeld.

De Home-app van Bowers & Wilkins is nodig om uw Formation Flex met uw thuisnetwerk te verbinden en om verbinding te maken met andere Formation-producten in huis. De Home-app van Bowers & Wilkins biedt ook bepaalde bedienings- en configuratiefuncties tijdens gebruik. Download en installeer de Home-app van Bowers & Wilkins op uw iOS- of Android-apparaat voordat u uw Formation Flex gaat installeren. Voor de Home-app van Bowers & Wilkins is iOS V11.4 of hoger, of Android V8.1 of hoger nodig. Bluetooth en WiFi moeten ingeschakeld zijn op uw iOS- of Android-apparaat. Ook moet u het wachtwoord voor het WiFi-netwerk kennen.

*NB: Tijdens het instellen van Formation-producten moeten locatiediensten op Android-apparaten worden ingeschakeld. Formation-producten communiceren namelijk via een energiezuinige versie van Bluetooth (BT-LE) en deze zijn enkel actief op Android-apparaten wanneer locatie voorzieningen zijn ingeschakeld. Bowers & Wilkins gebruikt geen gegevens van locatiediensten voor marketingdoeleinden.*

## 1. Inhoud verpakking Formation Flex

Formation Flex  
Voedingskabelset voor uw gebied  
Documentatie

## 2. Uw Formation Flex installeren

Formation Flex kan in allerlei situaties gebruikt worden: als enkele mono-luidspreker, als compact stereopaar of als achterluidsprekers in een 5.1 home theatre-opstelling.

Bij gebruik als stereopaar moet er ten minste 1 meter afstand tussen uw Formation Flex luidsprekers zijn en moet er een vergelijkbare afstand zijn naar de luisterzone. Als de luidsprekers te dicht bij elkaar geplaatst worden, kan de stereoweergave onvoldoende zijn; als ze te ver uiteen staan, is de stereofocus wellicht zwak. Het is niet nodig uw Formation Flex naar binnen, richting de luisterzone, te draaien, maar als u dit wel doet, kan dit een strakkere stereofocus opleveren. Figuur 1 toont de basisrichtlijnen voor het plaatsen van de luidsprekers.

Plaats uw Formation Flex bij gebruik als achterluidsprekers in een 5.1 home theatre-opstelling op 120 graden, of zo dicht mogelijk daarbij, ten opzichte van de middenluidspreker vooraan, zoals wordt getoond in figuur 2.

U hebt een netvoedingsaansluiting nodig voor uw Formation Flex luidspreker. Hij moet zich daarom binnen bereik van een stopcontact bevinden. Als u uw Formation Flex luidspreker met een bedrade verbinding op uw thuisnetwerk wilt aansluiten, moet hij zich binnen bereik van een geschikte netwerkkabel (Ethernet) bevinden.

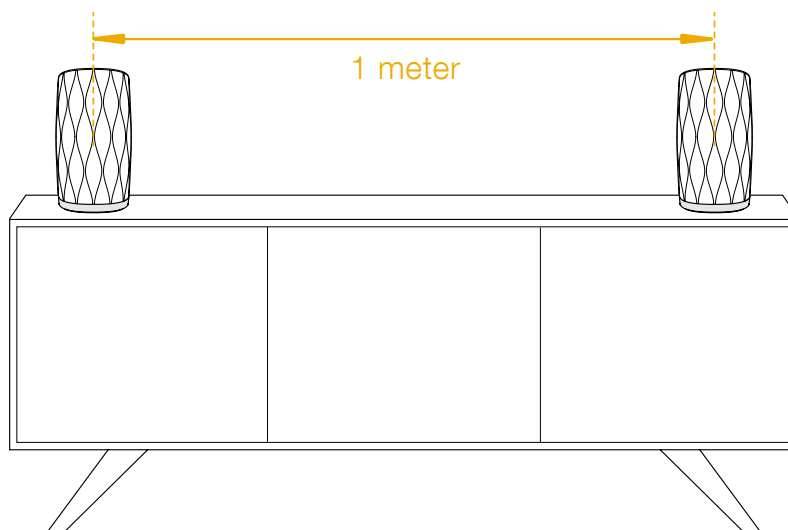
Als u uw Formation Flex op een boekenplank wilt plaatsen, zorg er dan voor dat de boekenplank het gewicht gemakkelijk kan dragen.

Zoals bij de meeste luidsprekers het geval is, straalt uw Formation Flex de geluidsenergie niet alleen naar voren, maar ook naar de zij- en achterkant. Als gevolg daarvan kunnen (in het geval dat uw Formation Flex zich te dichtbij een wand of een andere begrenzing van het vertrek bevindt, met name in een hoek) de lage tonen teveel nadruk krijgen. Als u vindt dat de lage tonen weergave van uw Formation Flex te veel overheerst, kan het zin hebben hem te verplaatsen, maar u kunt de lage tonen weergave ook via het menu Settings (Instellingen) van de Home-app van Bowers & Wilkins aanpassen.

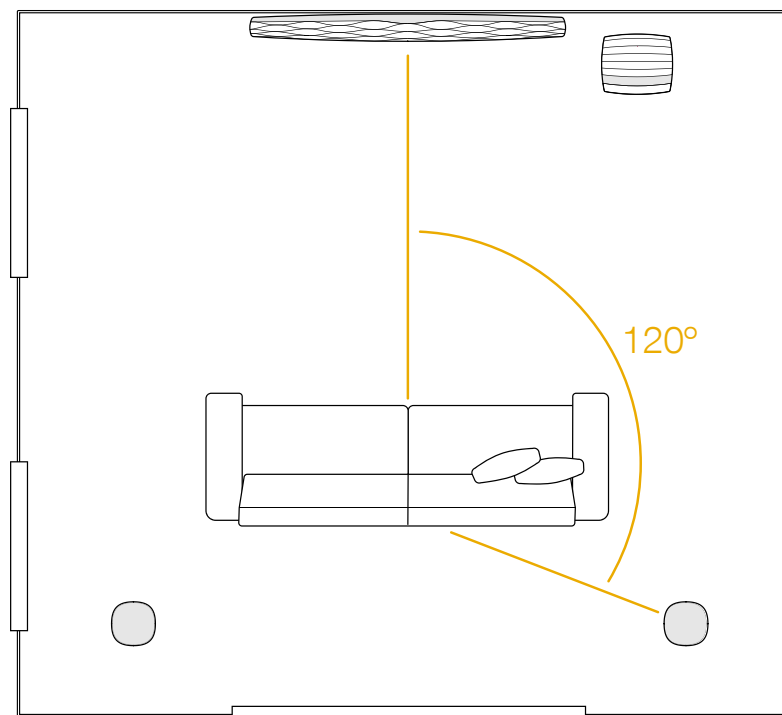
### Aansluitingen

Naast een voedingsingang 1 is uw Formation Flex luidspreker voorzien van een Ethernet-aansluiting 2 voor aansluiting op een router als u de voorkeur geeft aan een bedrade in plaats van een draadloze (WiFi) netwerkverbinding.

*NB: De USB-aansluiting op het achterpaneel van uw Formation Flex is alleen voor service- en diagnosedoeleinden bedoeld. U kunt hem nergens anders voor gebruiken.*




Figuur 1  
Stereo plaatsing




Figuur 2  
Surround opstelling

### In- en uitschakelen

Als alle aansluitingen een feit zijn en de Home-app van Bowers & Wilkins op uw mobiele apparaat geïnstalleerd is, kunt u uw Formation Flex-luidspreker gaan instellen. Uw Formation Flex heeft geen aan/uit-knop en is na een korte opstartroutine ingeschakeld zodra hij op de voeding is aangesloten. Er klinkt een geluidssignaal als de opstartroutine is afgerond.

De eerste keer dat een Formation Flex wordt ingeschakeld, wordt automatisch de instelmodus gekozen om verbinding te kunnen maken met uw thuisnetwerk en met eventuele andere Formation-apparaten die beschikbaar zijn. De instelmodus wordt aangegeven doordat de Form-knop  langzaam oranje gaat knipperen. In de Home-app van Bowers & Wilkins wordt ook aangegeven dat de Formation Flex beschikbaar is om te worden ingesteld. Dit verschijnt op de openingspagina van de app of, nadat u 'Add Formation product' (Formation-product toevoegen) in de instellingenpagina (Settings) van de app selecteert.

Uw Formation Flex beheert zijn bedrijfstoestand en stroomverbruik geheel automatisch en schakelt na twintig minuten inactiviteit een energiespaarstand in. U hoeft uw Formation Flex nooit uit te schakelen, maar mocht u dit toch willen doen, dan hoeft u alleen maar de stekker uit het stopcontact te trekken. Uw Formation Flex houdt de instellingen ook vast als hij van het stroomnet wordt losgekoppeld.

U kunt een Formation Flex luidspreker opnieuw starten door de resetknop  op het achterpaneel kort in te drukken en weer los te laten. Door de knop in te drukken wordt de Formation Flex uit- en weer ingeschakeld. Als uw Formation Flex opnieuw start, worden alle instellingen bewaard. U kunt uw Formation Flex ook opnieuw starten via de pagina Settings (Instellingen) van de Home-app van Bowers & Wilkins.

U kunt de fabrieksinstellingen van uw Formation Flex herstellen door de resetknop vijf seconden ingedrukt te houden. Bij het opnieuw starten wordt nu de instelmodus van uw Formation Flex geopend. Als uw Formation Flex wordt gereset, worden alle instellingen gewist. U kunt uw Formation Flex ook resetten via het menu Settings (Instellingen) van de Home-app van Bowers & Wilkins.

### Netwerkinstellingen

• Controleer of uw Formation Flex in de instelmodus staat en het lampje in de Form-knop  langzaam oranje knippert. Start nu de Home-app van Bowers & Wilkins op uw iOS- of Android-apparaat. De app helpt u tijdens het instelproces.

*NB: Tijdens het instellen gebruikt Formation Flex een Bluetooth-verbinding met het apparaat waarop de Home-app van Bowers & Wilkins draait. Bluetooth-signalen hebben een betrekkelijk kort bereik en kunnen verstoord worden door de muren of andere begrenzingen van vertrekken. Daarom adviseren wij u ervoor te zorgen dat uw Formation Flex en het apparaat met de Home-app van Bowers & Wilkins niet te ver van elkaar verwijderd zijn tijdens het instellen.*

• De Home-app van Bowers & Wilkins zoekt eerst naar Formation-producten in de instelmodus en toont dan een scherm waarop u er één kunt selecteren. Tik op uw Formation Flex om deze te selecteren. Als u al een Formation-product hebt ingesteld en u er nog een wilt toevoegen, selecteert u 'Add Formation product' (Formation-product toevoegen) uit het menu Settings (Instellingen) van de app.

- De Home-app van Bowers & Wilkins vraagt u vervolgens een naam aan te geven voor de 'ruimte' ('space' in het Engels) waarin u uw Formation Flex wilt gebruiken. Er verschijnt een lijst met standaardnamen voor ruimtes, maar u kunt ook zelf een naam aanmaken. Als u een naam voor de ruimte hebt geselecteerd of aangemaakt, vraagt de app u om de Form-knop  bovenop uw Formation Flex aan te raken om de keuze te bevestigen.
- Als u een draadloze netwerkverbinding wilt gebruiken voor uw Formation Flex, verbindt de volgende instelfase uw Formation Flex met het WiFi-netwerk in uw huis. De app vraagt u om het gekozen WiFi-netwerk te bevestigen en het wachtwoord in te voeren. Het is mogelijk dat uw Formation Flex met een ethernetkabel op uw netwerkrouter is aangesloten. In dat geval wordt deze fase van het instelproces overgeslagen.

*NB: Als u al andere Formation-producten hebt aangesloten op uw WiFi-netwerk hoeft u tijdens het instellen van uw Formation Flex het WiFi-wachtwoord niet meer in te voeren.*

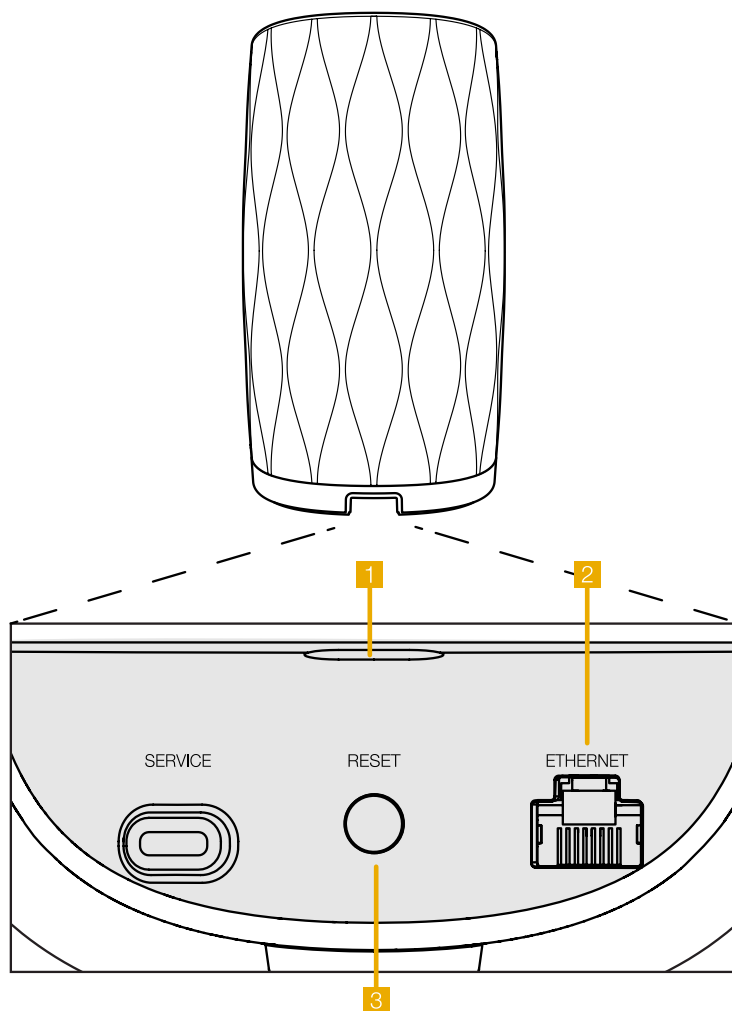
- Als het WiFi-netwerk geconfigureerd is en de ruimteselectie is afgerond, is uw Formation Flex klaar voor gebruik. Uw Formation Flex geeft met een geluidssignaal aan dat het instellen geslaagd is.

### Bluetooth-apparaten koppelen

U kunt uw Formation Flex met een voor Bluetooth geschikte geluidsbron verbinden, zoals een smartphone, om via Bluetooth geluid af te spelen. U moet uw Formation Flex dan eerst met het bronapparaat koppelen.

Als de netwerkinstellingen voor uw Formation Flex zijn afgerond, opent u de pagina Settings (Instellingen) van de Home-app van Bowers & Wilkins en selecteert u de Formation Space (Formation-ruimte) waarmee u een Bluetooth-apparaat wilt koppelen. Selecteer nu '+ Pair a new device' (+ Een nieuw apparaat koppelen) uit het Bluetooth-menu en volg de aanwijzingen van de app om te koppelen. Uw Formation Flex laat een geluidssignaal horen als het koppelen een feit is. De desbetreffende ruimte wordt dan beschikbaar om geluid vanaf het gekoppelde Bluetooth-apparaat af te spelen.

*NB: Er kunnen maximaal acht Bluetooth-apparaten tegelijk met een Formation-ruimte gekoppeld worden, maar deze apparaten maken niet automatisch verbinding met de gekoppelde ruimtes voor het afspelen van audio.*



Figuur 3  
Formation flex aansluitingspaneel

### 3. Uw Formation Flex gebruiken

#### De basisbeginselen

U kunt op uw Formation Flex muziek afspelen vanaf streamingdiensten als Spotify, Apple Music en Tidal of de muziekbibliotheekdienst Roon en u kunt er ook internetradio op laten horen via een geschikte iRadio-app. Indien u nog meer Formation-apparaten hebt aangesloten op uw netwerk, zoals bijvoorbeeld een Formation Audio, kunt u het geluid van daarop aangesloten conventionele geluidsbronnen ook via uw Formation Flex laten horen.

#### Ruimtes

Ruimtes zijn een kernconcept van de Formation-productfamilie. Een Formation-ruimte is een vertrek of een specifiek gebied in uw huis waar u naar muziek luistert. Elke ruimte kan verschillende combinaties Formation-producten bevatten. De mogelijke configuraties worden in figuur 4 getoond.

#### Audio afspelen

Met de Home-app van Bowers & Wilkins kunt u elke beschikbare geluidsbron en audiostream selecteren en afspelen. Zoals het weergeven van conventionele geluidsbronnen geïnitieerd moet worden via een commando om het afspelen te starten, moeten Formation-streams ook eerst geïnitieerd worden via hun eigen app, bijv. Spotify, of een muziekbibliotheek-app als Roon. Elke app toont uw Formation Flex-ruimte als een weergaveapparaat dat beschikbaar is in combinatie met Airplay, Bluetooth, of in het geval van Spotify, Spotify Connect.

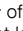
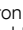



Zodra audiostreams worden afgespeeld op het Formation-netwerk kunnen ze geselecteerd worden via de Home-app van Bowers & Wilkins of via de Form-knop  op het bovenpaneel van uw Formation Flex. Raak de Form-knop aan om door de beschikbare streams en bronnen te lopen.

#### Bedieningselementen op het bovenpaneel van de Formation Flex

Op het bovenpaneel van uw Formation Flex vindt u knoppen voor afspelen/pauzeren, volumeregeling en het kiezen van bronnen/streams.

- Als u het symbool voor afspelen/pauzeren  II aanraakt, stopt en/of herstart het afspelen van audio.

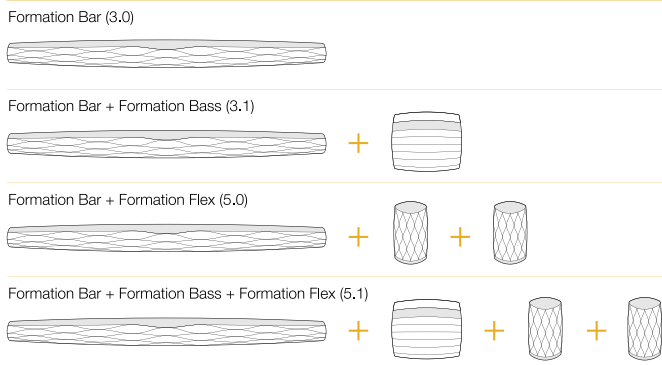
*NB: Afspelen/Pauzeren werkt alleen als het bronapparaat van waaraf gestreamd wordt afspeel- en pauzeerfuncties heeft die via Bluetooth- of netwerkverbindingen te bereiken zijn.*

- Door de knoppen om het volume harder  of zachter  te zetten aan te raken, wordt het lokale volume van een netwerkstream of lokale bron aangepast. Zolang de knop  of  ingedrukt wordt, wordt het volume harder of zachter.
- Door de Form-knop  aan te raken, kunt u door de actieve streams en bronnen lopen die beschikbaar zijn voor de Formation Flex en deze afspelen.

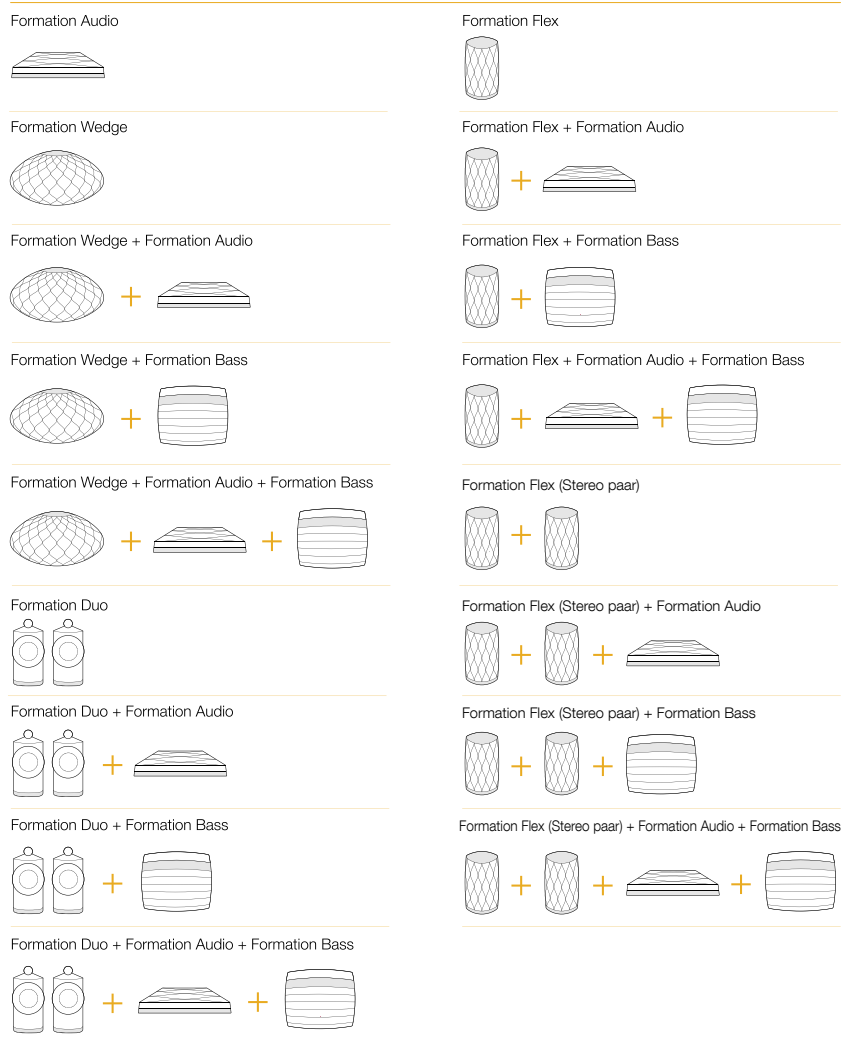
#### Verlichting Form-knop

De verlichting van de Form-knop op de Formation Flex verandert afhankelijk van de bedrijfsstatus. De verlichtingsmogelijkheden worden in figuur 5 getoond.

#### TV opstelling configuraties



#### Muziek opstelling configuraties



Figuur 4  
Ruimteconfiguraties

#### 4. De Home-app van Bowers & Wilkins

Als uw Formation Flex geconfigureerd en met uw netwerk verbonden is, wordt de startpagina van de Home-app van Bowers & Wilkins geopend. Hier vindt u de Formation Flex-ruimte en andere beschikbare Formation-ruimtes.

Tik op een Formation-ruimte om beschikbare streams of inputs te selecteren. Zijn er geen streams beschikbaar? Open dan een streaming-app, bijv. Spotify, en selecteer iets om af te spelen en selecteer daarna de Formation-ruimte uit de lijst met beschikbare weergaveapparaten. Als u nu terugkeert naar de Home-app van Bowers & Wilkins, vindt u de Spotify-stream op de pagina voor de Formation Flex-ruimte.

In de rechterbovenhoek van de startpagina van de Home-app van Bowers & Wilkins vindt u een instellingensymbool. Raak dit symbool aan om het instellingenmenu van de app te openen. In het instellingenmenu zijn opties te vinden voor het configureren en resetten van uw Formation-apparaten en om de namen van uw Formation-ruimtes aan te passen. Updates voor de app en firmware-updates voor Formation-apparaten worden ook vanuit het menu Settings (Instellingen) geïntialiseerd.

#### Vertrouwd raken met de Home-app van Bowers & Wilkins

Als de Home-app van Bowers & Wilkins geopend wordt, zoekt hij naar beschikbare Formation-ruimtes en laat hij vervolgens deze ruimtes op de startpagina van de app zien.

Onder elke ruimte laat de app de actuele activiteit van die ruimte zien. Als u op een actieve ruimte tikt, wordt er een 'now playing'-scherm geopend waarin te zien is wat er nu wordt afgespeeld. Hierin kunt u het volume en het afspelen/pauzeren regelen.

In dit scherm vindt u ook de optie 'Available Spaces' (Beschikbare ruimtes) waarmee u de stream die in de geselecteerde ruimte wordt afgespeeld kunt overzetten naar een andere ruimte of in meer ruimtes tegelijk kunt afspelen. Het scherm met 'Available Spaces' (Beschikbare ruimtes) biedt ook de kans om het volume te regelen, zowel globaal voor alle ruimtes als in individuele ruimtes.

U opent de instellingenpagina van de Home-app van Bowers & Wilkins door op het symbool voor instellingen te tikken. In het initiële instellingenmenu wordt elke ruimte getoond met het aantal Formation-apparaten dat in elke ruimte aanwezig is.

Door op een ruimte in het instellingenmenu te tikken, opent u de bijbehorende ruimte- en Formation-apparaatinstellingen. Tik op de naam van de ruimte om de instellingen voor die ruimte te openen en tik op de naam van een apparaat om naar de instellingen van dat apparaat te gaan. Welke apparaatinstellingen beschikbaar zijn, is afhankelijk van het apparaat in kwestie.

*NB: Als het instellingensymbool op de Home-app van Bowers & Wilkins een gele stip te zien geeft, betekent dit dat er een Formation-firmware-update beschikbaar is. Het proces voor het updaten van de firmware wordt vanuit het instellingenmenu geïntialiseerd. Probeer de Home-app van Bowers & Wilkins en uw Formation-apparaten actueel te houden door altijd de nieuwste software- en firmware-updates uit te voeren. Dit levert niet alleen de meest betrouwbare prestaties op, maar het zorgt er ook voor dat u van nieuwe Formation-functies kunt profiteren.*

#### 5. Formation-muziekstreams en bronnen

##### Bij gebruik Spotify

Gebruik uw telefoon, tablet of computer als afstandsbediening om Spotify te bedienen. Ga naar [spotify.com/connect](https://www.spotify.com/connect) om te ontdekken hoe het werkt.

De Spotify Software valt onder 3e partij licenties die u hier terugvindt: <https://www.spotify.com/connect/third-party-licenses>.

##### Airplay gebruiken

Met behulp van Airplay kunnen audio-apps op mobiele-, laptop- of desktopapparaten van Apple informatie via een netwerk naar met Airplay compatibele luidsprekers zoals Formation Flex sturen. Bij audio-apps die geschikt zijn voor Airplay is het Airplay-symbool te zien.

U kunt Airplay gebruiken door de audio-app van uw keuze te openen en de muziek te selecteren die u wilt afspelen. Tik op het Airplay-symbool om een lijst met beschikbare apparaten weer te geven, gevolgd door de Formation-ruimte die u wilt gebruiken.

*NB: Het is mogelijk om via Airplay muziek naar meer apparaten tegelijk te streamen, maar de weergavekwaliteit en synchronisatie kunnen dan afhankelijk zijn van de capaciteit van uw thuisnetwerk. Als u geluid in meer dan één Formation-ruimte tegelijkertijd wilt afspelen, kunt u de synchronisatie sterk verbeteren door meer ruimtes te selecteren via de Home-app van Bowers & Wilkins.*

##### Roon gebruiken

Roon is een uitgebreide muziekbibliotheek- en afspeler-app die alle muziekbestanden die voor uw netwerk beschikbaar zijn bijeen brengt en ze gemakkelijk af laat spelen in al uw Formation-ruimtes en andere voor Roon geschikte audio-apparaten. Roon is beschikbaar voor mobiele apparaten, laptops of pc's.

Wanneer u Roon opent, ziet u uw muziekbibliotheek met de metadata en het artwork, plus alle Formation-ruimtes en andere op het netwerk beschikbare audio-apparaten. Selecteer de muziek die u wilt afspelen en de Formation-ruimte waar u die muziek wilt horen.

*NB: Het is mogelijk om vanaf Roon muziek naar meer apparaten tegelijk te streamen, maar de weergavekwaliteit en synchronisatie kunnen dan afhankelijk zijn van de capaciteit van uw thuisnetwerk. Als u geluid in meer dan één Formation-ruimte tegelijkertijd wilt afspelen, kunt u de synchronisatie sterk verbeteren door meer ruimtes te selecteren via de Home-app van Bowers & Wilkins.*

#### Bluetooth gebruiken

Met behulp van Bluetooth kunnen audio-apps op mobiele-, laptop- of desktopapparaten audio-informatie via een draadloze verbinding naar compatibele hardware zoals de Formation Flex streamen.

Om Bluetooth te gebruiken, controleert u eerst of de gewenste Formation-ruimte geselecteerd is in het Bluetooth-instellingenmenu van uw apparaat. Open daarna de audio-app die u wilt gebruiken en selecteer de muziek die u wilt afspelen. Tik op het symbool voor weergaveapparaten om een lijst met beschikbare apparaten weer te geven, gevolgd door de Formation-ruimte die u wilt gebruiken.

#### 6. Schoonmaken

Als het nodig is uw Formation Flex schoon te maken, veeg de bovenkant dan met een schone, pluisvrije doek af en maak de grill met een zachte borstel schoon. Als u een vloeibaar schoonmaakmiddel wilt gebruiken, breng dit dan op de poetsdoek aan en niet rechtstreeks op uw Formation Flex. Probeer het middel eerst op een onopvallend plekje uit. Sommige schoonmaakproducten tasten bepaalde oppervlakken namelijk aan. Gebruik geen schurende producten of producten met zure, alkalische of antibacteriële werkstoffen.

#### 7. Ondersteuning

Indien u meer hulp of advies nodig heeft voor uw Formation Flex, gelieve de formation ondersteuning pagina te raadplegen op: [www.bowerswilkins.com/support](http://www.bowerswilkins.com/support)

##### Milieu-informatie

Dit product voldoet aan internationale regelgeving, zoals onder andere de BGS-richtlijn inzake beperkingen op het gebruik van bepaalde gevaarlijke stoffen in elektrische en elektronische apparatuur, de REACH-verordening inzake de registratie en beoordeling van en de autorisatie en beperkingen ten aanzien van chemische stoffen en de AEEA-richtlijn betreffende afgedankte elektrische en elektronische apparatuur. Neem contact op met de lokale instantie die verantwoordelijk is voor afvalverwerking voor informatie over hoe u dit product op de juiste wijze kunt recycleren of afdanken.

Indicatielampe	Statusindicatie
Knippert wit	Opstart aan de gang
Pulserend oranje	Klaar voor installatie
Knippert oranje	Firmware-update aan de gang
Pulserend wit	Audio-overdracht in werking
Pulserend rood	Fout – neem contact op met klantenservice
Permanent rood	Fout – neem contact op met klantenservice
Knippert rood	Toestel wordt terug naar fabriek-instellingen gezet

Figuur 5  
Verlichtingsstanden Form-knop

## Добро пожаловать в Bowers & Wilkins и Formation Flex!

Благодарим вас за приобретение Formation. Наш основатель, Джон Бауэрс, верил в то, что творческий подход в проектировании, новаторская конструкция и передовые технологии смогут открыть людям путь к подлинному звучанию продуктов Bowers & Wilkins в доме. Мы продолжаем разделять его веру, и она вдохновляет нас при проектировании всех новых продуктов, и в серии Formation она нашла свое самое современное воплощение.

Formation Flex - это подключенная к сети беспроводная активная акустическая система, которая обеспечивает очень высокое качество воспроизведения аудио потоков систем Formation. Formation Flex можно сконфигурировать и управлять, прежде всего, с помощью приложения Bowers & Wilkins Home. Приложение доступно как для iOS, так и для Android устройств. Некоторые часто используемые функции управления доступны также с помощью сенсорных кнопок на передней панели Formation Flex. Установить и настроить Formation Flex можно только с помощью приложения Bowers & Wilkins Home.

Formation Flex позволяет делать следующее:

- Слушать аудио из потоковых сервисов, таких как Spotify, Apple Music и Roon.
- Слушать хранящиеся в сети аудио файлы.
- Слушать аудио через Bluetooth с соответствующим образом включенных источников – устройств с Bluetooth.
- Слушать аудио с устройств, таких как проигрыватели винила (через фонокорректор-предусилитель) и CD-плееры, которые подсоединены к Bowers & Wilkins Formation Audio.
- Слушать источники аудио, такие как интернет-радио, из-под Airplay или Bluetooth совместимых сервисов и приложений.
- Слушать аудио, воспроизводимое в любом месте вашего дома, на любом устройстве Formation, подключенном к вашей домашней сети.

Требуется приложение Bowers & Wilkins Home для подключения вашей системы Formation Flex к домашней сети, а также для установления связи с другими продуктами Formation в вашем доме. Приложение Bowers & Wilkins Home предоставляет также некоторые функции управления и настройки во время использования. Перед началом установки Formation Flex загрузите и установите приложение Bowers & Wilkins Home на устройстве iOS или Android. Приложение Bowers & Wilkins Home требует iOS версии 11.4 или более поздней или Android и V8.1 или более поздней версии. Службы Bluetooth и WiFi должны быть включены на вашем устройстве iOS или Android. Вам также нужно будет знать свой сетевой пароль для Wi-Fi.

*Примечание: сервис определения местоположения должен быть включен на устройствах Android в процессе установки Formation. Это связано с тем, что продукты Formation используют маломощную форму Bluetooth (BT-LE) для служебной связи, которая на устройствах Android включается только при включении служб определения местоположения. Bowers & Wilkins не используют данные служб определения местоположения в маркетинговых целях.*

## 1. Содержимое упаковки Formation Flex

Formation Flex  
Кабель питания для Formation Flex, подходящий для ваших розеток  
Пакет документации

## 2. Установка ваших колонок Formation Flex

Formation Flex может использоваться в различных ситуациях — как в качестве одной колонки с моно звуком, так и в качестве компактной стереопары или в качестве тыловых колонок окружающего звучания в 5.1-канальном домашнем кинотеатре.

При использовании в качестве стереопары, ваши Formation Flex должны быть размещены по крайней мере на расстоянии 1 м (3 фута) друг от друга и на таком же расстоянии от зоны прослушивания. Если колонки расположены слишком близко друг к другу, воспроизведению стерео может не хватать масштаба; если они расположены слишком далеко друг от друга, фокусировка стерео образа может оказаться слабой. Нет необходимости поворачивать ваши Formation Flex внутрь, направляя их на область прослушивания, однако это может улучшить стерео фокусировку. На Диаграмме 1 показано базовое расположение колонок.

При использовании в качестве тыловых колонок окружающего звука в 5.1-канальной конфигурации домашнего кинотеатра, устройство Formation Flex должно располагаться под углом как можно ближе к 120 градусам спереди по отношению к центральной колонке, как показано на Диаграмме 2.

Ваша колонка Formation Flex требует наличия источника электропитания для работы, поэтому он должен быть расположен в пределах досягаемости розетки. Если Formation Flex должна использовать проводное подключение к домашней сети, она должна быть расположена в пределах досягаемости необходимых (Ethernet) кабелей.

Если вы решили разместить свою Formation Flex на полке, убедитесь, что полка легко выдерживает ее вес.

Как и подавляющее большинство колонок, ваша Formation Flex излучает звуковую энергию не только вперед, но и в стороны, а также назад. Следовательно, если Formation Flex установлена слишком близко к стенам комнаты, и особенно в углу, бас может стать более подчеркнутым. Если вы почувствуете, что бас стал слишком заметен, может быть, полезно будет сменить место установки, однако уровень басов вы можете настроить и через приложение Bowers & Wilkins Home, зайдя в меню настроек Settings.

### Подключения

В дополнение к сетевой розетке **1**, Formation Flex имеет входной разъем Ethernet **2** для подключения к роутеру – в случае выбора проводного соединения вместо Wi-Fi.

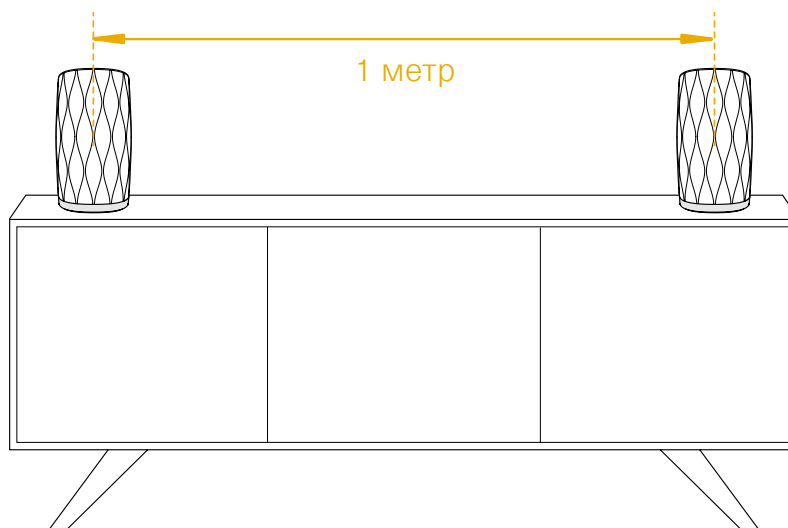


Диаграмма 1  
Размещение Formation Flex в стерео системе

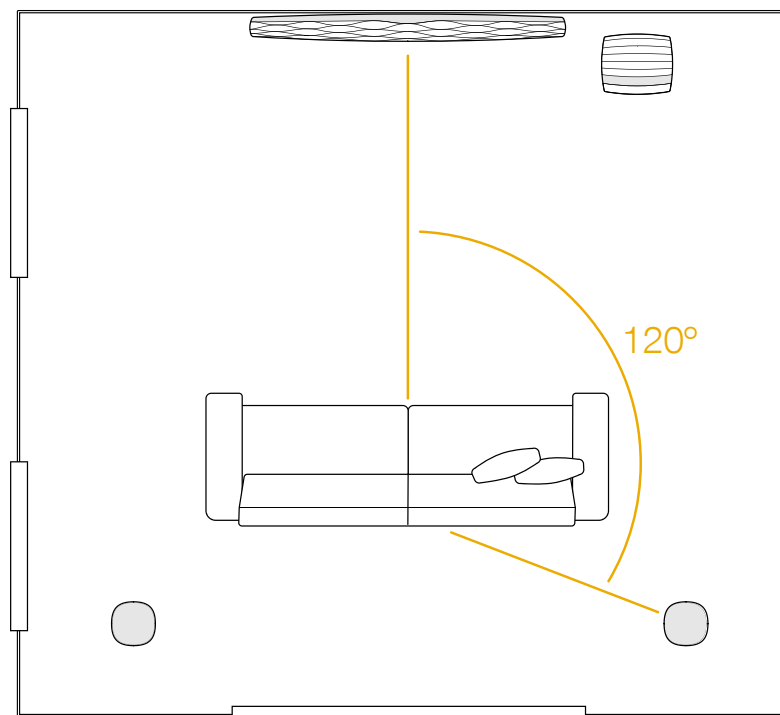


Диаграмма 2  
Размещение Formation Flex в домашнем кинотеатре

*Примечание: разъем USB, расположенный на задней панели Formation Flex, предназначен только для сервисного и диагностического использования. Он не может быть использован для каких-либо других целей.*

**Включение и выключение**

После выполнения всех подключений и запуска приложения Bowers & Wilkins Home, установленного на вашем мобильном устройстве, ваш Formation Flex готов к настройке и использованию. Formation Flex не имеет сетевого выключателя питания и поэтому после короткой процедуры запуска, начнет работать, как только будет подключен к сети питания. Он выдаст звуковое приглашение, когда его процедура запуска завершена.

Когда пара Formation Flex, которая ранее не использовалась, включается первый раз, она автоматически переходит в режим настройки, чтобы задать подключение к вашей домашней сети и к любым другим доступным устройствам семейства Formation. Режим настройки индицируется медленным миганием оранжевой импульсной подсветки сенсорной кнопки Form. При этом Formation Flex появится также в приложении Bowers & Wilkins Home, доступном для настройки, либо на начальной странице приложения, либо после выбора опции 'Add Formation product' – "Добавить продукт Formation" на странице настроек приложения.

Ваша пара колонок Formation Flex управляет своим рабочим состоянием и энергопотреблением полностью автоматически и переключается в режим энергосбережения после двадцати минут бездействия. Вообще нет необходимости когда-либо выключать Formation Flex, однако если вы хотите сделать это, просто отключил ее от сети питания. Ваша Formation Flex сохранит свои настройки и без сетевого питания.

Можно перезапустить Formation Flex кратким нажатием и отпусканием кнопки reset, расположенной на задней панели. При нажатии этой кнопки Formation Flex выключится и включится вновь. Все настройки при таком перезапуске сохраняются. Кроме того, перезапустить Formation Flex можно на странице настроек приложения Bowers & Wilkins Home app – Settings.

Если же вы хотите сбросить все настройки Formation Flex к их значениям по умолчанию, нажмите и удержите кнопку reset в течение 5 секунд. После сброса, ваш Formation Flex снова войдет в режим настройки. При таком сбросе все ваши настройки Formation Flex будут стерты. Кроме того, сбросить все настройки Formation Flex можно на странице настроек приложения Bowers & Wilkins Home app – Settings.

**Сетевые настройки**

- Когда Formation Flex находится в режиме настройки, и подсветка его кнопки Form, медленно пульсирует оранжевым цветом, запустите приложение Bowers & Wilkins Home на вашем устройстве iOS или Android. Приложение будет направлять вас подсказками в ходе процесса настройки.

*Примечание: Formation Flex использует Bluetooth-соединение с устройством, на котором работает приложение Bowers & Wilkins Home, во время процесса установки. Сигналы Bluetooth имеют относительно малую зону охвата и могут быть заблокированы границами комнаты, поэтому мы рекомендуем, чтобы ваше устройство Formation Flex и устройство с приложением Bowers & Wilkins Home app оставались в непосредственной близости во время процесса настройки.*

- Приложение Bowers & Wilkins Home в режиме настройки сначала будет искать продукты Formation и отображать экран, приглашающий сделать выбор одного из них. Кликните нужную иконку, чтобы выбрать Formation Flex. Если вы уже настроили Formation Flex и добавляете дополнительное устройство, выберите 'Add Formation product' – "Добавить продукт Formation" в меню настроек приложения.
- Приложение Bowers & Wilkins Home затем предложит вам назвать "пространство" (Space), в котором будет использоваться ваш Formation Flex. Список типов пространств (Space) по умолчанию предоставляется, но вы также можете создать свой собственный тип. Когда вы выбрали или создали наименование пространства, приложение попросит вас нажать кнопку Form на верхней панели вашего Formation Flex, чтобы подтвердить выбор.
- Если необходимо использовать беспроводное сетевое подключение для вашего Formation Flex, то на следующем этапе настройки он будет подключен к домашней сети WiFi. Приложение попросит вас подтвердить правильную сеть WiFi и попросит вас ввести свой пароль. Кроме того, если Formation Flex подключен к сетевому маршрутизатору с помощью кабеля Ethernet, этот этап процесса установки будет пропущен.
- После конфигурации сети WiFi и полного выбора окружающего пространства ваш Formation Flex готов к использованию. Ваш Formation Flex выдаст звуковое приглашение для подтверждения успешной настройки.

**Настройка Bluetooth**

Для воспроизведения звука через Bluetooth можно подключить Formation Flex к устройству с поддержкой Bluetooth, например к смартфону. Ваш Formation Flex должен быть сначала "сопряжен" с Bluetooth устройством – источником звука.

После завершения сетевых настроек Formation Flex откройте страницу Settings (Настройки) приложения Bowers & Wilkins Home и выберите Formation Space, с которым вы хотите выполнить сопряжение устройства Bluetooth. Затем выберите "+ сопряжение нового устройства" в меню Bluetooth и следуйте инструкциям приложения для завершения сопряжения. Ваш Formation Flex будет воспроизводить звуковое приглашение, когда сопряжение завершено, и его Space станет доступным для сопряженного устройства Bluetooth для воспроизведения звука.

*Примечание: до восьми устройств Bluetooth могут быть одновременно сопряжены с каждым Formation Space, однако устройства не будут подключаться и воспроизводиться в парных пространствах автоматически.*

*Примечание: Если у вас уже есть другие продукты Formation, подключенные к вашей сети WiFi, процедура настройки не потребует ввода пароля для WiFi.*

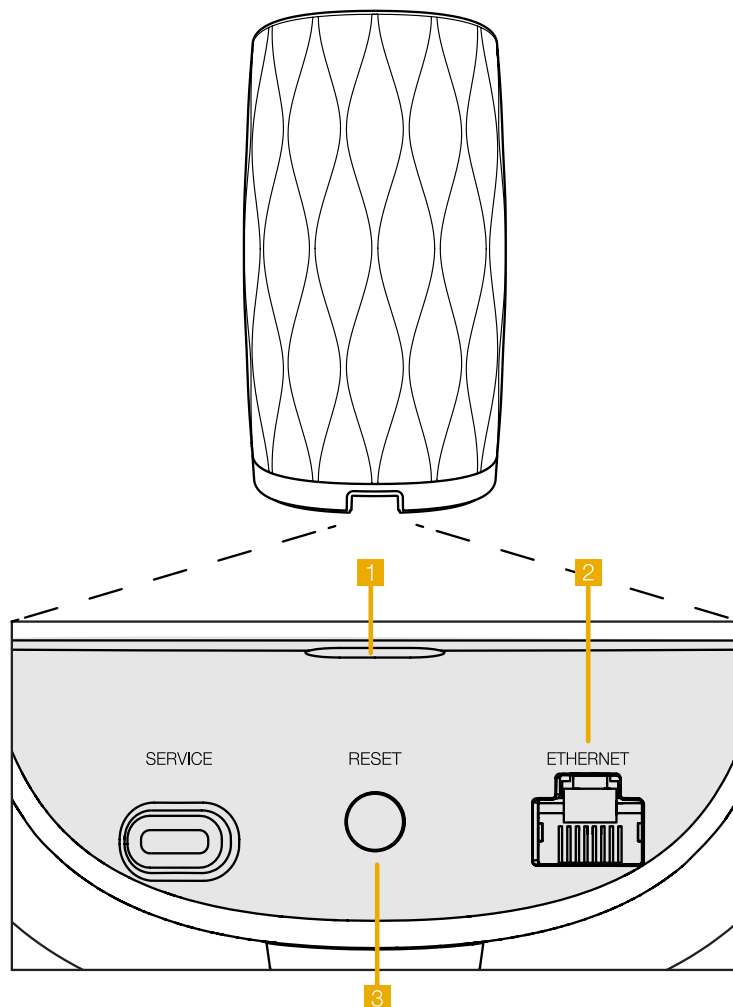


Диаграмма 3  
Панель разъемов Formation Flex



### 3. Использование Formation Flex

#### Основы

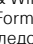
Вы можете использовать свою пару колонок Formation Flex для воспроизведения звука из потоковых сервисов, таких как Spotify, Apple Music и Tidal, из службы музыкальной библиотеки Roon и из интернет-радио через соответствующее приложение iRadio. Если к вашей сети подключены дополнительные устройства Formation, например Formation Audio, то обычные аудио источники, подключенные к нему, также будут доступны через колонки Formation Flex.

#### Пространства – Spaces

Пространства (Spaces) – это ключевая концепция семейства продуктов Formation. Для Formation "space" – это комната или отдельная зона в вашем доме, в которой вы слушаете музыку. В каждом Пространстве (Space) могут быть установлены различные комбинации продуктов Formation. Список возможных конфигураций представлен на Диаграмме 4.


#### Воспроизведение аудио

Приложение Bowers & Wilkins Home позволяет выбрать и воспроизвести любой доступный источник звука или поток. Тем не менее, во многом точно так же, как обычное воспроизведение источника звука требует инициализации через команду воспроизведения, потоки Formation должны быть сначала инициализированы через их собственное шлюзовое приложение: например, приложение Spotify, или приложение музыкальной библиотеки, такое как Roon. Каждый шлюз или приложение библиотеки будет считать пространства (Spaces) вашего Formation Flex доступными устройствами воспроизведения с помощью Airplay, Bluetooth или в случае Spotify, Spotify Connect.

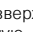


Когда аудио потоки воспроизводятся в сети Formation, их можно выбрать с помощью приложения Bowers & Wilkins Home или с помощью сенсорной кнопки Form  на передней панели Formation Flex. При последовательном нажатии несколько раз на кнопку Form можно перебрать все доступные потоки и источники.

#### Органы управления и подсветка верхней панели Formation Flex

На верхней панели Formation Flex есть сенсорные кнопки, которые обеспечивают управление воспроизведением / паузой, регулировку громкости и выбор источника/потока.

- Касание Play/Pause  будет останавливать или возобновлять воспроизведение аудио.

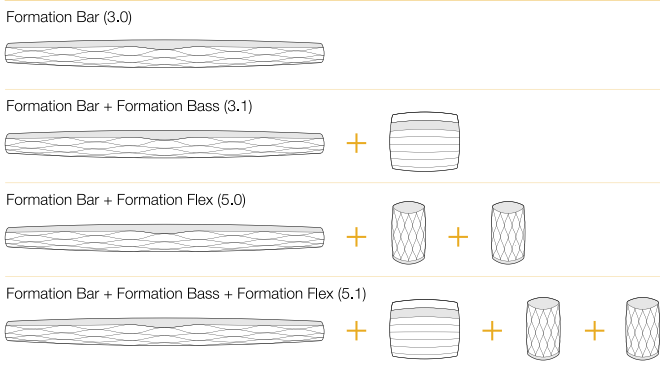
*Примечание: воспроизведение / пауза будет работать только в том случае, если потоковый источник имеет функции воспроизведения и паузы, которые могут быть доступны через Bluetooth или сетевые подключения.*

- Прикосновение к регулировке громкости (вверх  или вниз ) будет регулировать локальную громкость любого сетевого потока или локального источника. Нажатие и удержание кнопок будет непрерывно увеличивать или уменьшать громкость.
- При последовательном нажатии на кнопку Form  будет сделан циклический перебор и воспроизведение активных потоков и источников, доступных для Formation Flex.

#### Подсветка кнопки Form

Подсветка кнопки Form изменяется для указания различных рабочих состояний. Режимы индикации представлены на Диаграмме 5.

#### Конфигурации TV Space



#### Конфигурации Music Space

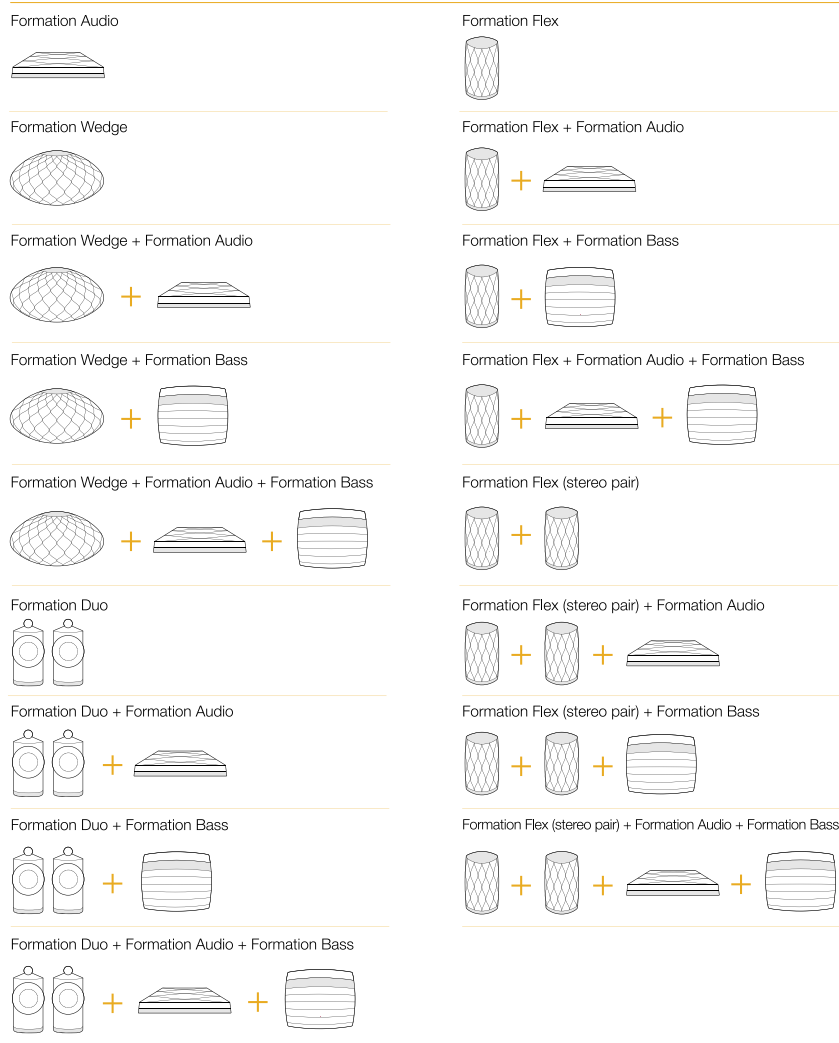


Диаграмма 4  
Конфигурации пространств (Space)



## 4. Приложение Bowers & Wilkins Home App

Когда ваш Formation Flex настроен и подключен к вашей сети, на главном экране открывается приложение Bowers & Wilkins Home, где будет указано пространство (Space) Formation Flex и любые другие доступные пространства семейства Formation.

Нажмите на пространство (Space) Formation, чтобы выбрать один из доступных потоков или входов. Если нет доступных потоков, откройте потоковое приложение, например Spotify, и выберите элемент для воспроизведения, а затем выберите пространство Formation Space из списка доступных устройств воспроизведения. Теперь, когда вы вернетесь в приложение Bowers & Wilkins Home, поток Spotify будет указан на странице пространства (Space) Formation Flex.

Домашняя страница приложения Bowers & Wilkins Home имеет значок настроек Settings в правом верхнем углу. Нажмите на этот значок, чтобы открыть меню настроек Settings приложения. Меню Settings содержит параметры для настройки и сброса устройств Formation и переименования пространств Formation. Обновления прошивки приложений и устройств Formation также инициируются из меню настроек Settings.

### Поиск вашего пути в приложении Bowers & Wilkins Home

Приложение Bowers & Wilkins Home будет искать доступные пространства (Space) Formation при открытии, а затем отображать свою домашнюю страницу со списком пространств (Space).

Под каждым пространством (Space) приложение будет отображать свою текущую активность. Нажатие на активное пространство откроет экран "now playing" ("сейчас играет"), который позволяет регулировать громкость и запускать воспроизведение/паузу.

Экран "now playing" также предоставляет опцию 'Available Spaces' ("доступные пространства"), которая позволяет потоку, воспроизводимому в выбранном пространстве, переноситься в другое пространство или воспроизводиться в нескольких пространствах. Экран 'Available Spaces' ("доступные пространства") предоставляет также возможность управлять громкостью, как глобально во всех пространствах, так и в отдельных пространствах.

Страница настроек Settings приложения Bowers & Wilkins Home открывается нажатием на значок настроек. В меню первоначальных настроек перечислены каждое из пространств и количество устройств Formation, присутствующих в каждом из них.

Нажатие на пространство, указанное в меню настроек Settings, обеспечивает доступ к его настройкам и настройкам устройства Formation. Коснитесь имени пространства, чтобы получить доступ к его настройкам, или коснитесь имени устройства, чтобы получить доступ к его настройкам. Доступные настройки будут зависеть от конкретного устройства.

*Примечание: если на значке Settings в приложении Bowers & Wilkins Home отображается желтая точка – это означает, что имеется обновление прошивки для Formation. Процесс обновления прошивки ПО запускается из меню настроек Settings. Вы всегда должны стремиться поддерживать приложение Bowers & Wilkins Home и ваши устройства Formation в актуальном состоянии – с последней версией и прошивкой. Это не только поможет обеспечить наиболее надежную работу, но и обеспечит вам получение преимуществ от новых функций Formation.*

## 5. Стриминговые потоки и источники музыки для Formation

### Использование Spotify

Используйте свой смартфон, планшет или компьютер в качестве пульта дистанционного управления для Spotify. Перейдите на сайт [spotify.com/connect](https://www.spotify.com/connect) чтобы научиться этому.

Программное обеспечение Spotify является предметом лицензии третьих сторон, информацию о которых можно найти здесь: <https://www.spotify.com/connect/thirdparty-licenses>.

### Использование Airplay

Airplay позволяет аудио приложениям на мобильных устройствах Apple, ноутбуках или настольных устройствах передавать материалы по сети на совместимые с Airplay устройства, такие как Formation Flex. Приложения с поддержкой Airplay отображат значок Airplay.

Чтобы использовать Airplay, откройте аудио приложение, которое вы хотите использовать, и выберите музыку, которую вы хотите воспроизвести. Нажмите на значок Airplay, чтобы отобразить список доступных устройств, а затем пространство Formation Space, которое вы хотите использовать.

*Примечание: можно передавать аудио через Airplay на несколько устройств одновременно, однако качество воспроизведения и синхронизации может зависеть от возможностей вашей домашней сети. Если вы хотите воспроизводить записи одновременно в более чем одном пространстве Formation Space, синхронизация может быть значительно улучшена путем выбора нескольких пространств через приложение Bowers & Wilkins Home.*

### Использование Roop

Roop – это многофункциональная музыкальная библиотека и приложение для воспроизведения, которое собирает все музыкальные файлы, доступные в вашей сети, и делает их легко доступными для воспроизведения во всех ваших пространствах Formation Space и любых других аудиоустройствах с поддержкой Roop. Roop доступен для мобильных, портативных или настольных устройств.

Когда вы откроете Roop, он отобразит вашу полную библиотеку аудио вместе с ее метаданными и художественными обложками, при этом вместе со всеми пространствами Formation Spaces и любыми другими доступными сетевыми аудио устройствами. Просто выберите музыку, которую вы хотите воспроизвести, и пространство Formation Space, в котором вы хотите ее услышать.

*Примечание: можно передавать аудио из Roop на несколько устройств одновременно, однако качество воспроизведения и синхронизации может зависеть от возможностей вашей домашней сети. Если вы хотите воспроизводить материалы одновременно в более чем одном пространстве Formation Space, синхронизация может быть значительно улучшена путем выбора нескольких пространств через приложение Bowers & Wilkins Home.*

### Использование Bluetooth

Bluetooth позволяет аудио приложениям на мобильных, портативных или настольных устройствах передавать аудио по беспроводному соединению с совместимым оборудованием, таким как Formation Flex. В аудио приложениях совместимых с Bluetooth, отображается значок AirPlay.

Чтобы использовать Bluetooth, убедитесь, что в меню настроек Bluetooth вашего устройства выбрано необходимое пространство Formation Space, откройте аудио приложение, которое вы хотите использовать, и выберите музыку, которую вы хотите воспроизвести. Нажмите на значок устройства воспроизведения, чтобы отобразить список доступных устройств, а затем пространство Formation Space, которое вы хотите использовать.

## 6. Очистка

Если для вашего Formation Flex потребуется очистка, протрите его поверхность чистой тканью без ворса, а защитную решетку очистите мягкой щеткой. Если же вы захотите использовать чистящую жидкость, то наносите ее на протирающую ткань, а не на корпус Formation Flex. Испробуйте его сначала на небольшом участке поверхности, т.к. некоторые моющие вещества могут повреждать отделку. Избегайте применения жидкостей с абразивными частицами, содержащих кислоту или щелочь, а также антибактериальные вещества.

## 7. Поддержка

Если вам требуется помощь или совет для владельцев Formation Flex пожалуйста, посетите сайт поддержки Formation [www.bowerswilkins.com/support](http://www.bowerswilkins.com/support).

### Экологическая информация

Этот продукт соответствует международным директивам, включая, но не ограничиваясь ограничением опасных веществ (Restriction of Hazardous Substances – RoHS) в электрическом и электронном оборудовании, регистрации, оценке, авторизации и ограничениям на использование химических веществ (REACH) и удаление отходов электрического и электронного оборудования (WEEE). Проконсультируйтесь с вашим местным органом по утилизации отходов для получения рекомендаций о том, как правильно рециклировать или утилизировать этот продукт.

Индикация	Рабочее состояние
Мигающая белая	Процедура запуска
Пульсирующая желтая	Готовность к настройке
Мигающая желтая	Идет процедура обновления ПО
Пульсирующая белая	Идет прием аудио
Пульсирующая красная	Ошибка – свяжитесь со службой поддержки
Постоянная красная	Ошибка – свяжитесь со службой поддержки
Мигающая красная	Идет сброс к заводским установкам

Диаграмма 5  
Индикация режимов подсветкой кнопки Form

## Καλωσορίσατε στην Bowers & Wilkins και το Formation Flex.

Ευχαριστούμε που επιλέξατε το Formation. Ο John Bowers ίδρυσε την Bowers & Wilkins με την πεποίθηση ότι η ευφάνταστη σχεδίαση, η καινοτομία στην ανάπτυξη και η εξελιγμένη τεχνολογία θα ήταν τα κλειδιά που θα άνοιγαν νέους κόσμους απόλαυσης του ήχου στο σπίτι. Αυτή η πίστη συνεχίζει να εμπνέει κάθε προϊόν που σχεδιάζουμε και το Formation αποτελεί την πιο εξελιγμένη της έκφανση μέχρι τώρα.

Το Formation Flex είναι ένα συνδεδεμένο σε δίκτυο, ασύρματο ενεργό ηχείο που παρέχει αναπαραγωγή εξαιρετικά υψηλής απόδοσης για ροές ήχου Formation. Το Formation Flex προορίζεται πρωτίστως για να διαμορφώνεται και να ελέγχεται με χρήση της εφαρμογής Bowers & Wilkins Home. Η εφαρμογή είναι διαθέσιμη για συσκευές με λειτουργικό σύστημα iOS και Android. Ορισμένες λειτουργίες ελέγχου που χρησιμοποιούνται πιο συχνά είναι επίσης διαθέσιμες μέσω κουμπιών αφής στο επάνω μέρος του Formation Flex. Η εγκατάσταση και η διαμόρφωση ενός Formation Flex είναι δυνατή μόνο με χρήση της εφαρμογής Bowers & Wilkins Home.

Το Formation Flex θα σας επιτρέψει να κάνετε τα εξής:

- Να ακούτε ήχο από υπηρεσίες ροής ήχου, όπως οι Spotify, Apple Music και Roon.
- Να ακούτε ήχο από αρχεία ήχου που είναι αποθηκευμένα στο δίκτυο.
- Να ακούτε ήχο μέσω Bluetooth από κατάλληλα διαμορφωμένες συσκευές πηγής Bluetooth.
- Να ακούτε ήχο από συσκευές όπως πικάπ (μέσω προενισχυτή phono) και συσκευές αναπαραγωγής CD που είναι συνδεδεμένες σε ένα Formation Audio της Bowers & Wilkins.
- Να ακούτε ήχο, όπως διαδικτυακό ραδιόφωνο, από υπηρεσίες και εφαρμογές που είναι συμβατές με Airplay ή Bluetooth.
- Να ακούτε ήχο που αναπαράγεται οπουδήποτε στο σπίτι σας, σε οποιαδήποτε συσκευή Formation που είναι συνδεδεμένη στο οικιακό σας δίκτυο.

Για να συνδέσετε το Formation Flex στο οικιακό σας δίκτυο και για να πραγματοποιήσετε σύνδεση με άλλα προϊόντα Formation στο σπίτι σας, απαιτείται η εφαρμογή Bowers & Wilkins Home. Η εφαρμογή Bowers & Wilkins Home παρέχει επίσης ορισμένες λειτουργίες ελέγχου και διαμόρφωσης κατά τη χρήση. Προτού αρχίσετε την εγκατάσταση του Formation Flex, κάντε λήψη και εγκατάσταση της εφαρμογής Bowers & Wilkins Home στη συσκευή σας με iOS ή Android. Η εφαρμογή Bowers & Wilkins Home χρειάζεται iOS V11.4 ή νεότερη έκδοση, ή Android V8.1 ή νεότερη έκδοση. Οι υπηρεσίες Bluetooth και WiFi πρέπει να είναι ενεργοποιημένες στη συσκευή σας με iOS ή Android. Θα πρέπει επίσης να γνωρίζετε τον κωδικό πρόσβασης του δικτύου WiFi.

*Σημείωση: Οι υπηρεσίες τοποθεσίας πρέπει να είναι ενεργοποιημένες στις συσκευές Android κατά τη διάρκεια της διαδικασίας ρύθμισης του Formation. Αυτό πρέπει να γίνεται επειδή τα προϊόντα Formation χρησιμοποιούν μια μορφή χαμηλής ισχύος του Bluetooth (BT-LE) για την επικοινωνία υπηρεσιών, η οποία είναι ενεργή στις συσκευές Android μόνο όταν είναι ενεργοποιημένες οι υπηρεσίες τοποθεσίας. Η Bowers & Wilkins δεν χρησιμοποιεί δεδομένα υπηρεσιών τοποθεσίας για σκοπούς μάρκετινγκ.*

## 1. Περιεχόμενα συσκευασίας Formation Flex

Formation Flex

Σετ καλωδίου ρεύματος κατάλληλο για την περιοχή σας

Πακέτο εντύπων τεκμηρίωσης

## 2. Εγκατάσταση του Formation Flex

Το Formation Flex μπορεί να χρησιμοποιηθεί με διάφορους τρόπους: ως απλό μονοφωνικό ηχείο, ως ζεύγος μικρών στερεοφωνικών ηχείων ή ως πίσω ηχεία surround σε μια διαμόρφωση 5.1 οικιακού κινηματογράφου.

Όταν χρησιμοποιούνται ως ζεύγος στερεοφωνικών ηχείων, τα ηχεία Formation Flex θα πρέπει να βρίσκονται σε απόσταση τουλάχιστον 1 m μεταξύ τους και σε παρόμοια απόσταση από την περιοχή ακρόασης. Αν τα ηχεία τοποθετηθούν πολύ κοντά το ένα στο άλλο, η στερεοφωνική αναπαραγωγή ενδέχεται να υστερεί σε κλίμακα. Αν τοποθετηθούν πολύ μακριά το ένα από το άλλο, η στερεοφωνική εστίαση ενδέχεται να είναι ασθενής. Δεν χρειάζεται να στρέψετε τα ηχεία Formation Flex προς την περιοχή ακρόασης, ωστόσο, αν το κάνετε, ενδέχεται να αυξηθεί η στερεοφωνική εστίαση. Το διάγραμμα 1 απεικονίζει τη βασική τοποθέτηση των ηχείων.

Όταν χρησιμοποιούνται ως πίσω ηχεία σε μια διαμόρφωση 5.1 οικιακού κινηματογράφου, τα ηχεία Formation Flex θα πρέπει να τοποθετούνται όσο το δυνατόν πλησιέστερα σε γωνία 120 μοιρών προς το κεντρικό ηχείο, όπως φαίνεται στο Διάγραμμα 2.

Το Formation Flex χρειάζεται μια παροχή ρεύματος για να λειτουργεί, οπότε πρέπει να βρίσκεται κοντά σε μια πρίζα ρεύματος. Αν το Formation Flex θα χρησιμοποιεί μια ενσύρματη σύνδεση με το οικιακό σας δίκτυο, θα πρέπει να βρίσκεται κοντά σε ένα κατάλληλο καλώδιο δικτύου (Ethernet).

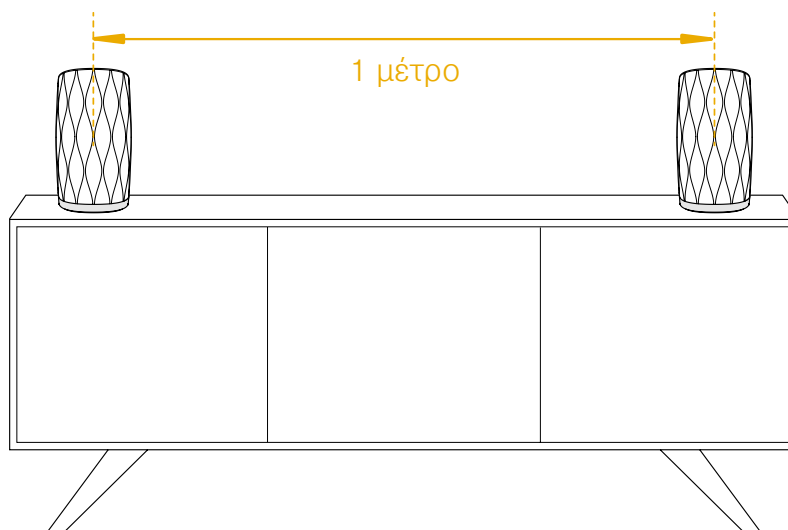
Αν αποφασίσετε να τοποθετήσετε το Formation Flex σε ένα ράφι, βεβαιωθείτε ότι το ράφι μπορεί να υποστηρίξει εύκολα το βάρος.

Όπως ισχύει για τη μεγάλη πλειονότητα των ηχείων, το Formation Flex εκπέμπει ηχητική ενέργεια όχι μόνο προς τα εμπρός αλλά επίσης προς το πλάι και προς τα πίσω. Κατά συνέπεια, αν το Formation Flex τοποθετηθεί κοντά στους τοίχους του δωματίου και ειδικά σε μια γωνία, μπορεί να αναδεικνύονται υπερβολικά τα μπάσα. Αν διαπιστώσετε ότι τα μπάσα από το Formation Flex αναδεικνύονται υπερβολικά, μπορεί να φανεί χρήσιμη η μετακίνησή του σε μια εναλλακτική θέση, ωστόσο, μπορείτε επίσης να ρυθμίσετε τη στάθμη των μπάσων μέσω του μενού ρυθμίσεων της εφαρμογής Bowers & Wilkins Home.

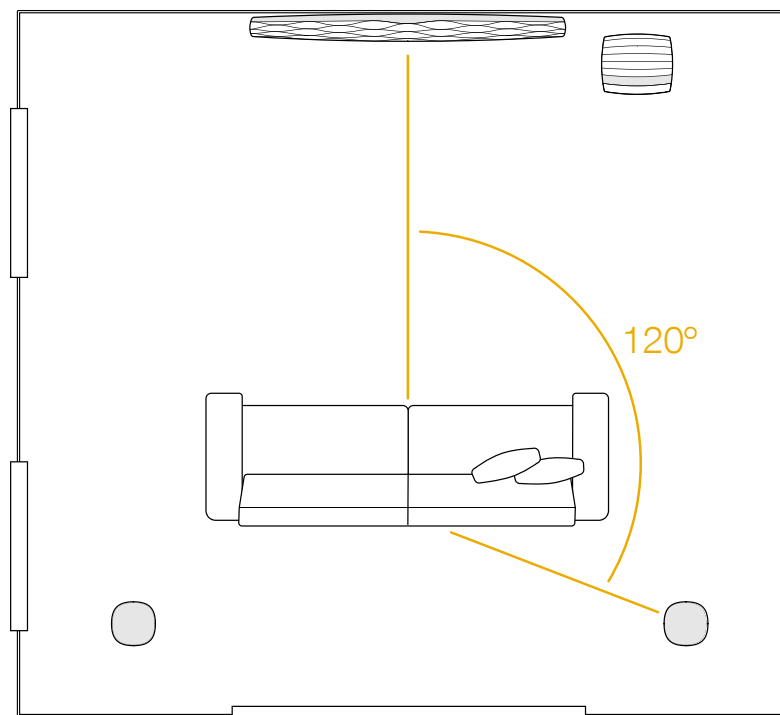
### Συνδέσεις

Εκτός από την υποδοχή ρεύματος **1**, το Formation Flex διαθέτει μια υποδοχή Ethernet **2** για σύνδεση σε έναν δρομολογητή, σε περίπτωση που προτιμηθεί ενσύρματη σύνδεση δικτύου αντί για ασύρματη σύνδεση (WiFi).

*Σημείωση: Η υποδοχή USB που βρίσκεται στο πίσω μέρος του Formation Flex προορίζεται μόνο για σέρβις και διαγνωστικό έλεγχο. Δεν μπορεί να χρησιμοποιηθεί για κανέναν άλλο σκοπό.*



Διάγραμμα 1  
Στερεοφωνική τοποθέτηση



Διάγραμμα 2  
Τοποθέτηση οικιακού κινηματογράφου

## Ενεργοποίηση και απενεργοποίηση

Αφού γίνουν όλες οι συνδέσεις και εγκατασταθεί στη φορητή συσκευή σας η εφαρμογή Bowers & Wilkins Home, το Formation Flex είναι έτοιμο για ρύθμιση. Το Formation Flex δεν διαθέτει διακόπτη λειτουργίας και, μετά από μια σύντομη ρουτίνα εκκίνησης, θα είναι σε κατάσταση λειτουργίας μόλις συνδεθεί στην παροχή ρεύματος. Όταν ολοκληρωθεί η ρουτίνα εκκίνησης, θα αναπαράγει ένα ηχητικό σήμα.

Όταν ένα Formation Flex που δεν έχει χρησιμοποιηθεί προηγουμένως ενεργοποιηθεί για πρώτη φορά, θα εισέλθει αυτόματα στη λειτουργία ρύθμισης για να ενεργοποιήσει τη σύνδεσή του με το οικιακό σας δίκτυο και με οποιεσδήποτε άλλες διαθέσιμες συσκευές Formation. Η λειτουργία ρύθμισης υποδεικνύεται από έναν άργο παλμικό φωτισμό του κουμπιού αφής Form με πορτοκαλί χρώμα. Το Formation Flex θα εμφανίζεται επίσης στην εφαρμογή Bowers & Wilkins Home ως διαθέσιμο για ρύθμιση, είτε στην αρχική σελίδα της εφαρμογής είτε αφού επιλέξετε «Add Formation product» (Προσθήκη προϊόντος Formation) από τη σελίδα ρυθμίσεων της εφαρμογής.

Το Formation Flex διαχειρίζεται την κατάσταση λειτουργίας και την κατανάλωση ενέργειάς του εντελώς αυτόματα και θα μεταβεί σε λειτουργία εξοικονόμησης ενέργειας μετά από είκοσι λεπτά αδράνειας. Δεν χρειάζεται να απενεργοποιήσετε ποτέ το Formation Flex, ωστόσο, αν θέλετε να το κάνετε, απλά αποσυνδέστε το από την παροχή ρεύματος. Το Formation Flex θα διατηρήσει τις ρυθμίσεις του χωρίς παροχή ρεύματος.

Μπορείτε να επανεκκινήσετε ένα Formation Flex πατώντας για λίγο και αφήνοντας το κουμπί επαναφοράς που βρίσκεται στο πίσω μέρος του. Με το πάτημα του κουμπιού, το Formation Flex θα απενεργοποιηθεί και θα ενεργοποιηθεί ξανά. Όλες οι ρυθμίσεις διατηρούνται όταν επανεκκινείτε το Formation Flex. Μπορείτε επίσης να επανεκκινήσετε το Formation Flex μέσω της σελίδας ρυθμίσεων της εφαρμογής Bowers & Wilkins Home.

Αν θέλετε να επαναφέρετε το Formation Flex στις προεπιλεγμένες του ρυθμίσεις, πατήστε και κρατήστε πατημένο το κουμπί επαναφοράς για πέντε δευτερόλεπτα. Αφού επανεκκινήσει, το Formation Flex θα εισέλθει στη λειτουργία ρύθμισης. Όλες οι ρυθμίσεις διαγράφονται όταν επαναφέρετε το Formation Flex. Μπορείτε επίσης να επαναφέρετε το Formation Flex μέσω του μενού ρυθμίσεων της εφαρμογής Bowers & Wilkins Home.

## Ρύθμιση δικτύου

- Με το Formation Flex στη λειτουργία ρύθμισης, με το κουμπί Form να αναβοσβήνει αργά με πορτοκαλί χρώμα, εκκινήστε την εφαρμογή Bowers & Wilkins Home στη συσκευή σας με iOS ή Android. Η εφαρμογή θα σας καθοδηγήσει με μηνύματα προτροπής στη διαδικασία ρύθμισης.

*Σημείωση: Το Formation Flex χρησιμοποιεί μια σύνδεση Bluetooth με τη συσκευή που εκτελεί την εφαρμογή Bowers & Wilkins Home κατά τη διάρκεια της διαδικασίας ρύθμισης. Τα σήματα Bluetooth έχουν σχετικά μικρή εμβέλεια και μπορούν να εμποδιστούν από τους τείχους των δωματίων, οπότε συνιστούμε το Formation Flex και η συσκευή με την εφαρμογή Bowers & Wilkins Home να παραμένουν κοντά μεταξύ τους κατά τη διάρκεια της διαδικασίας ρύθμισης.*

- Η εφαρμογή Bowers & Wilkins Home θα αναζητήσει πρώτα προϊόντα Formation σε λειτουργία ρύθμισης και θα εμφανίσει μια οθόνη που σας ζητά να επιλέξετε ένα από αυτά. Πατήστε στο δικό σας Formation Flex για να το επιλέξετε. Αν έχετε ήδη ρυθμίσει ένα προϊόν Formation και προσθέτετε ένα ακόμα, επιλέξτε «Add Formation product» (Προσθήκη προϊόντος Formation) από το μενού ρυθμίσεων της εφαρμογής.

- Στη συνέχεια, η εφαρμογή Bowers & Wilkins Home θα σας ζητήσει να ονομάσετε τον «χώρο» στον οποίο θα χρησιμοποιηθεί το Formation Flex. Παρέχεται μια λίστα προεπιλεγμένων ονομάτων χώρων, αλλά μπορείτε επίσης να δημιουργήσετε το δικό σας. Αφού επιλέξετε ή δημιουργήσετε ένα όνομα χώρου, η εφαρμογή θα σας ζητήσει να πατήσετε το κουμπί Form στο επάνω μέρος του Formation Flex για να επιβεβαιώσετε την επιλογή.

- Αν θα χρησιμοποιηθεί μια ασύρματη σύνδεση δικτύου για το Formation Flex, το επόμενο στάδιο της διαδικασίας ρύθμισης θα συνδέσει το Formation Flex στο οικιακό σας δίκτυο WiFi. Η εφαρμογή θα σας ζητήσει να επιβεβαιώσετε το σωστό δίκτυο WiFi και θα σας ζητήσει να εισάγετε τον κωδικό πρόσβασης. Εναλλακτικά, αν συνδέσετε το Formation Flex στον δρομολογητή δικτύου σας χρησιμοποιώντας ένα καλώδιο Ethernet, αυτό το στάδιο της διαδικασίας ρύθμισης θα παρακαμφθεί.

*Σημείωση: Αν έχετε συνδέσει ήδη άλλα προϊόντα Formation στο δίκτυο WiFi, δεν θα χρειαστεί να εισάγετε τον κωδικό πρόσβασης του δικτύου WiFi κατά τη ρύθμιση του Formation Flex.*

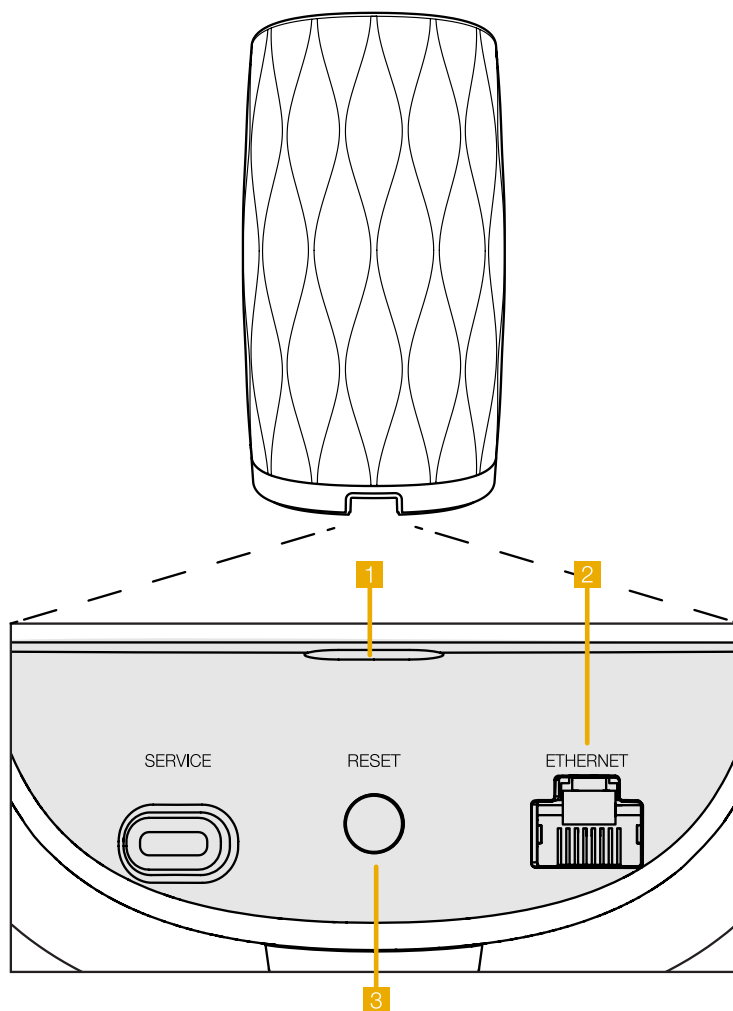
- Εφόσον έχει ολοκληρωθεί η διαμόρφωση του δικτύου WiFi και η επιλογή χώρου, το Formation Flex είναι έτοιμο για χρήση. Το Formation Flex θα αναπαράγει ένα ηχητικό σήμα για να επιβεβαιώσει την επιτυχή ρύθμιση.

## Ρύθμιση Bluetooth

Μπορείτε να συνδέσετε το Formation Flex σε μια συσκευή πηγής ήχου που υποστηρίζει Bluetooth, όπως ένα smartphone, για να αναπαράγετε ήχο μέσω Bluetooth. Το Formation Flex πρέπει πρώτα να «συζευχθεί» με τη συσκευή πηγής ήχου Bluetooth.

Αφού ολοκληρώσετε τη ρύθμιση δικτύου του Formation Flex, ανοίξτε τη σελίδα ρυθμίσεων της εφαρμογής Bowers & Wilkins Home και επιλέξτε τον χώρο Formation με τον οποίο θέλετε να συζευχτεί μια συσκευή Bluetooth. Στη συνέχεια, επιλέξτε «+ Pair a new device» (Συζευξη νέας συσκευής) από το μενού Bluetooth και ακολουθήστε τις οδηγίες της εφαρμογής για να ολοκληρώσετε τη συζευξη. Το Formation Flex θα αναπαράγει ένα ηχητικό σήμα όταν ολοκληρωθεί η συζευξη και ο χώρος του θα γίνει διαθέσιμος για αναπαραγωγή ήχου από τη συζευγμένη συσκευή Bluetooth.

*Σημείωση: Έως και οχτώ συσκευές Bluetooth μπορούν να συζευχθούν ταυτόχρονα με κάθε χώρο Formation, όμως οι συσκευές δεν θα συνδέονται και δεν θα αναπαράγουν αυτόματα στους συζευγμένους χώρους.*



Διάγραμμα 3  
Πίνακας συνδέσεων Formation Flex

### 3. Χρήση του Formation Flex

#### Τα βασικά στοιχεία

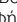
Μπορείτε να χρησιμοποιήσετε το Formation Flex για να αναπαράγετε ήχο από υπηρεσίες ροής ήχου όπως οι Spotify, Apple Music και Tidal, από την υπηρεσία βιβλιοθήκης μουσικής Roon και από διαδικτυακό ραδιόφωνο μέσω μιας κατάλληλης εφαρμογής iRadio. Αν έχετε συνδέσει στο δίκτυό σας επιπλέον συσκευές Formation, για παράδειγμα ένα Formation Audio, οι συμβατικές πηγές ήχου που είναι συνδεδεμένες σε αυτήν θα είναι επίσης διαθέσιμες μέσω του Formation Flex.

#### Χώροι

Οι χώροι είναι μια κεντρική έννοια της σειράς προϊόντων Formation. Ο «χώρος» Formation είναι ένα δωμάτιο ή ένα συγκεκριμένο μέρος στο σπίτι σας, στο οποίο ακούτε μουσική. Κάθε χώρος μπορεί να περιλαμβάνει διαφορετικούς συνδυασμούς προϊόντων Formation. Οι πιθανές διαμορφώσεις εμφανίζονται στο Διάγραμμα 4.

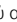
#### Αναπαραγωγή ήχου

Η εφαρμογή Bowers & Wilkins Home σας επιτρέπει να επιλέξετε και να αναπαράγετε οποιαδήποτε διαθέσιμη πηγή ή ροή ήχου. Ωστόσο, με τον ίδιο τρόπο που η αναπαραγωγή συμβατικών πηγών ήχου χρειάζεται να εκκινήθει μέσω μιας εντολής αναπαραγωγής, οι ροές Formation πρέπει να εκκινούνται πρώτα μέσω της δικής τους εφαρμογής πύλης, για παράδειγμα, την εφαρμογή Spotify ή μέσω μιας εφαρμογής βιβλιοθήκης μουσικής όπως τη Roon. Κάθε εφαρμογή πύλης ή βιβλιοθήκης θα παραθέτει τον χώρο του Formation Flex ως μια διαθέσιμη συσκευή αναπαραγωγής που χρησιμοποιεί το Airplay, το Bluetooth ή, στην περίπτωση του Spotify, το Spotify Connect.

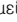

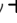

Αφού οι ροές ήχου αρχίσουν να αναπαράγονται στο δίκτυο Formation, μπορούν να επιλεγούν μέσω της εφαρμογής Bowers & Wilkins Home ή μέσω του κουμπιού αφής Form  στο επάνω μέρος του Formation Flex. Με το πάτημα του κουμπιού Form, γίνεται κυκλική εναλλαγή των διαθέσιμων ροών και πηγών.


#### Χειριστήρια στο επάνω μέρος του Formation Flex

Το Formation Flex διαθέτει κουμπιά αφής στο επάνω μέρος του, τα οποία παρέχουν έλεγχο αναπαραγωγής/παύσης, ρύθμιση έντασης ήχου και επιλογή πηγής/ροής.

- Με το πάτημα του κουμπιού αναπαραγωγής/παύσης  II, διακόπτεται και ξαναρχίζει εναλλακτικά η αναπαραγωγή ήχου.

*Σημείωση: Το κουμπί αναπαραγωγής/παύσης θα λειτουργεί μόνο αν η πηγή ροής διαθέτει λειτουργίες αναπαραγωγής και παύσης που μπορούν να προστελαστούν μέσω Bluetooth ή σύνδεσης δικτύου.*

- Με το πάτημα του κουμπιού αύξησης  ή μείωσης  της έντασης ήχου, ρυθμίζεται η τοπική ένταση ήχου οποιασδήποτε ροής δικτύου ή τοπικής πηγής. Με το παρατεταμένο πάτημα των κουμπιών  και , αυξάνεται ή μειώνεται συνεχώς η ένταση του ήχου.

- Με το πάτημα του κουμπιού Form , γίνεται κυκλική εναλλαγή και αναπαραγωγή των ενεργών ροών και πηγών που είναι διαθέσιμες στο Formation Flex.

#### Φωτισμός κουμπιού Form

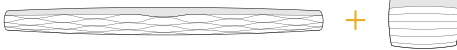
Ο φωτισμός του κουμπιού Form στο Formation Flex αλλάζει, για να υποδείξει διάφορες καταστάσεις λειτουργίας. Ο φωτισμός περιγράφεται στο Διάγραμμα 5.

#### Διαμορφώσεις χώρου τηλεόρασης

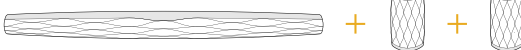
Formation Bar (3.0)



Formation Bar + Formation Bass (3.1)



Formation Bar + Formation Flex (5.0)



Formation Bar + Formation Bass + Formation Flex (5.1)



#### Διαμορφώσεις χώρου μουσικής

Formation Audio



Formation Wedge



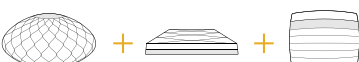
Formation Wedge + Formation Audio



Formation Wedge + Formation Bass



Formation Wedge + Formation Audio + Formation Bass



Formation Duo



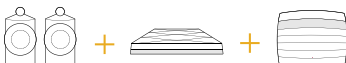
Formation Duo + Formation Audio



Formation Duo + Formation Bass



Formation Duo + Formation Audio + Formation Bass



Formation Flex



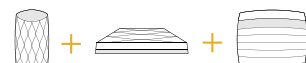
Formation Flex + Formation Audio



Formation Flex + Formation Bass



Formation Flex + Formation Audio + Formation Bass



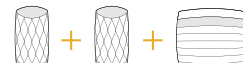
Formation Flex (ζεύγος στερεοφωνικών ηχείων)



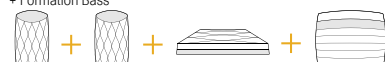
Formation Flex (ζεύγος στερεοφωνικών ηχείων) + Formation Audio



Formation Flex (ζεύγος στερεοφωνικών ηχείων) + Formation Bass



Formation Flex (ζεύγος στερεοφωνικών ηχείων) + Formation Audio + Formation Bass



Διάγραμμα 4

Διαμορφώσεις χώρου

## 4. Η εφαρμογή Bowers & Wilkins Home

Με το Formation Flex διαμορφωμένο και συνδεδεμένο στο δίκτυό σας, η εφαρμογή Bowers & Wilkins Home θα ανοίξει στην αρχική οθόνη της, όπου θα παρατίθεται ο χώρος του Formation Flex και οποιοδήποτε άλλοι διαθέσιμοι χώροι Formation.

Πατήστε σε έναν χώρο Formation, για να επιλέξετε ανάμεσα σε οποιοδήποτε διαθέσιμες ροές ή εισόδους. Αν δεν υπάρχουν διαθέσιμες ροές, ανοίξτε μια εφαρμογή ροής ήχου, για παράδειγμα το Spotify, επιλέξτε ένα στοιχείο για αναπαραγωγή και, στη συνέχεια, επιλέξτε τον χώρο Formation από τη λίστα των διαθέσιμων συσκευών αναπαραγωγής. Τώρα, όταν επιστρέψετε στην εφαρμογή Bowers & Wilkins Home, η ροή Spotify θα εμφανίζεται στη σελίδα χώρου του Formation Flex.

Η αρχική σελίδα της εφαρμογής Bowers & Wilkins Home έχει ένα εικονίδιο ρυθμίσεων στην επάνω δεξιά γωνία. Πατήστε το εικονίδιο για να ανοίξετε το μενού ρυθμίσεων της εφαρμογής. Το μενού ρυθμίσεων παρέχει επιλογές για να διαμορφώσετε και να επαναφέρετε τις δικές σας συσκευές Formation και να μετονομάσετε τους χώρους Formation. Οι ενημερώσεις της εφαρμογής και του υλικολογισμικού συσκευών Formation εκκινούνται επίσης από το μενού ρυθμίσεων.

### Περιήγηση στην εφαρμογή Bowers & Wilkins Home

Η εφαρμογή Bowers & Wilkins Home θα αναζητήσει διαθέσιμους χώρους Formation όταν ανοίξει και, στη συνέχεια, θα εμφανίσει την αρχική σελίδα της με τους χώρους να παρατίθενται.

Κάτω από κάθε χώρο, η εφαρμογή θα εμφανίζει την τρέχουσα δραστηριότητά του. Με το πάτημα σε έναν ενεργό χώρο θα ανοίξει μια οθόνη «αναπαραγωγή σε εξέλιξη», η οποία επιτρέπει έλεγχο έντασης ήχου και αναπαραγωγής/παύσης.

Η οθόνη «αναπαραγωγή σε εξέλιξη» παρέχει επίσης μια επιλογή «Available Spaces» (Διαθέσιμοι χώροι), η οποία επιτρέπει στη ροή που αναπαράγεται στον επιλεγμένο χώρο να μεταφερθεί σε άλλο χώρο ή να αναπαραχθεί σε πολλαπλούς χώρους. Η οθόνη «Available Spaces» (Διαθέσιμοι χώροι) παρέχει επίσης τη δυνατότητα ελέγχου της έντασης ήχου, τόσο γενικά σε όλους τους χώρους όσο και σε μεμονωμένους χώρους.

Η σελίδα ρυθμίσεων της εφαρμογής Bowers & Wilkins Home ανοίγεται πατώντας το εικονίδιο ρυθμίσεων. Το αρχικό μενού ρυθμίσεων παραθέτει κάθε χώρο και τον αριθμό των συσκευών Formation που υπάρχουν στον καθένα.

Με το πάτημα σε έναν χώρο που παρατίθεται στο μενού ρυθμίσεων, παρέχεται πρόσβαση στις δικές του ρυθμίσεις χώρου και συσκευών Formation. Πατήστε το όνομα του χώρου για να προσπελάσετε τις ρυθμίσεις χώρου και πατήστε το όνομα της συσκευής για να προσπελάσετε τις ρυθμίσεις συσκευής. Οι ρυθμίσεις συσκευής που είναι διαθέσιμες θα εξαρτώνται από την εκάστοτε συσκευή.

*Σημείωση: Αν το εικονίδιο ρυθμίσεων στην εφαρμογή Bowers & Wilkins Home εμφανίζεται με μια κίτρινη κουκκίδα, αυτό υποδεικνύει ότι είναι διαθέσιμη μια ενημέρωση υλικολογισμικού Formation. Η διαδικασία ενημέρωσης υλικολογισμικού εκκινείται από το μενού ρυθμίσεων. Θα πρέπει να φροντίζετε να διατηρείτε την εφαρμογή Bowers & Wilkins Home και τις δικές σας συσκευές Formation ενήμερες με την τελευταία έκδοση υλικολογισμικού. Με αυτόν τον τρόπο, δεν θα διασφαλίσετε μόνο ότι θα έχετε την πιο αξιόπιστη απόδοση, αλλά και ότι θα επωφεληθείτε από νέες δυνατότητες Formation.*

## 5. Ροές και πηγές μουσικής Formation

### Χρήση του Spotify

Χρησιμοποιήστε το τηλέφωνο, το tablet ή τον υπολογιστή σας ως τηλεχειριστήριο για το Spotify. Μεταβείτε στη διεύθυνση [spotify.com/connect](https://www.spotify.com/connect) για να μάθετε πώς μπορείτε να το κάνετε.

Το λογισμικό Spotify υπόκειται στις άδειες χρήσης τρίτων που αναφέρονται εδώ: <https://www.spotify.com/connect/third-party-licenses>.

### Χρήση του Airplay

Το Airplay επιτρέπει σε εφαρμογές ήχου που είναι εγκατεστημένες σε φορητές συσκευές, φορητούς υπολογιστές ή επιτραπέζιους υπολογιστές της Apple να αναπαράγουν ροές μέσω δικτύου σε ηχεία που είναι συμβατά με Airplay, όπως το Formation Flex. Οι εφαρμογές που υποστηρίζουν Airplay θα διαθέτουν το εικονίδιο Airplay.

Για να χρησιμοποιήσετε το Airplay, ανοίξτε την εφαρμογή ήχου που θέλετε να χρησιμοποιήσετε και επιλέξτε τη μουσική που θέλετε να αναπαράγετε. Πατήστε το εικονίδιο Airplay για να εμφανίσετε μια λίστα των διαθέσιμων συσκευών και ακολουθώντας τον χώρο Formation που θέλετε να χρησιμοποιήσετε.

*Σημείωση: Είναι δυνατή η ροή ήχου μέσω Airplay σε πολλαπλές συσκευές ταυτόχρονα, όμως η ποιότητα αναπαραγωγής και ο συγχρονισμός ενδέχεται να εξαρτώνται από τις δυνατότητες του οικιακού σας δικτύου. Αν θέλετε να αναπαράγετε κάποια ροή ταυτόχρονα σε περισσότερους από έναν χώρους Formation, ο συγχρονισμός μπορεί να βελτιωθεί κατά πολύ επιλέγοντας πολλαπλούς χώρους μέσω της εφαρμογής Bowers & Wilkins Home.*

### Χρήση του Roon

Το Roon είναι μια εφαρμογή βιβλιοθήκης μουσικής και αναπαραγωγής με πολλές δυνατότητες, η οποία συγκεντρώνει όλα τα αρχεία μουσικής που είναι διαθέσιμα στο δίκτυό σας και τα καθιστά εύκολα διαθέσιμα για αναπαραγωγή σε όλους τους χώρους Formation και σε οποιοδήποτε άλλες συσκευές ήχου υποστηρίζουν το Roon. Το Roon είναι διαθέσιμο για φορητές συσκευές, φορητούς υπολογιστές ή επιτραπέζιους υπολογιστές.

Όταν ανοίξετε το Roon, θα εμφανίσει την πλήρη βιβλιοθήκη ήχου σας μαζί με τα μεταδεδομένα και τα εξώφυλλα της, καθώς και όλους τους χώρους Formation και οποιοδήποτε άλλες συσκευές ήχου είναι διαθέσιμες στο δίκτυο. Απλά επιλέξτε τη μουσική που θέλετε να αναπαράγετε και τον χώρο Formation στον οποίο θέλετε να την ακούσετε.

*Σημείωση: Είναι δυνατή η ροή ήχου από το Roon σε πολλαπλές συσκευές ταυτόχρονα, όμως η ποιότητα αναπαραγωγής και ο συγχρονισμός ενδέχεται να εξαρτώνται από τις δυνατότητες του οικιακού σας δικτύου. Αν θέλετε να αναπαράγετε κάποια ροή ταυτόχρονα σε περισσότερους από έναν χώρους Formation, ο συγχρονισμός μπορεί να βελτιωθεί κατά πολύ επιλέγοντας πολλαπλούς χώρους μέσω της εφαρμογής Bowers & Wilkins Home.*

## Χρήση του Bluetooth

Το Bluetooth επιτρέπει σε εφαρμογές ήχου που είναι εγκατεστημένες σε φορητές συσκευές, φορητούς υπολογιστές ή επιτραπέζιους υπολογιστές να αναπαράγουν ροές μέσω ασύρματης σύνδεσης σε συμβατό εξοπλισμό, όπως το Formation Flex. Οι εφαρμογές ήχου που υποστηρίζουν Bluetooth θα διαθέτουν το εικονίδιο Airplay.

Για να χρησιμοποιήσετε το Bluetooth, βεβαιωθείτε ότι ο απαιτούμενος χώρος Formation είναι επιλεγμένος στο μενού ρυθμίσεων Bluetooth της συσκευής σας, ανοίξτε την εφαρμογή ήχου που θέλετε να χρησιμοποιήσετε και επιλέξτε τη μουσική που θέλετε να αναπαράγετε. Πατήστε το εικονίδιο συσκευών αναπαραγωγής για να εμφανίσετε μια λίστα των διαθέσιμων συσκευών και ακολουθώντας τον χώρο Formation που θέλετε να χρησιμοποιήσετε.

## 6. Καθαρισμός

Σε περίπτωση που το Formation Flex πρέπει να καθαριστεί, μπορείτε να σκουπίσετε την επάνω επιφάνειά του με ένα καθαρό πανί που δεν αφήνει χνούδι και να καθαρίσετε τη γρίλια του με μια μαλακή βούρτσα. Αν θέλετε να χρησιμοποιήσετε οποιοδήποτε υγρό καθαριστικό, απλώστε το στο πανί καθαρισμού και όχι κατευθείαν επάνω στο Formation Flex. Δοκιμάστε πρώτα σε μια μικρή περιοχή, καθώς ορισμένα προϊόντα καθαρισμού ενδέχεται να βλάψουν ορισμένες επιφάνειες. Αποφύγετε τα λειαντικά προϊόντα για προϊόντα που περιέχουν οξειδωτικούς, αλκαλικούς ή αντιβακτηριδιακούς παράγοντες.

## 7. Υποστήριξη

Αν χρειαστείτε περισσότερη βοήθεια ή συμβουλές σχετικά με το Formation Flex, επισκεφτείτε την τοποθεσία υποστήριξης του Formation εδώ: [www.bowerswilkins.com/support](http://www.bowerswilkins.com/support).

### Πληροφορίες σχετικά με το περιβάλλον

Αυτό το προϊόν πληροί τις διεθνείς οδηγίες, στις οποίες συγκαταλέγονται, χωρίς περιορισμούς, η οδηγία Restriction of Hazardous Substances (RoHS - Περιορισμός στη χρήση επικίνδυνων ουσιών) για ηλεκτρικό και ηλεκτρονικό εξοπλισμό, η οδηγία Registration, Evaluation, Authorisation and restriction of Chemicals (REACH - Καταχώριση, αξιολόγηση, αδειοδότηση και περιορισμοί των χημικών προϊόντων) και η οδηγία σχετικά με την απόρριψη Waste Electrical and Electronic Equipment (WEEE - Απόβλητα ηλεκτρικού και ηλεκτρονικού εξοπλισμού). Συμβουλευτείτε την τοπική αρχή απόρριψης αποβλήτων για οδηγίες σχετικά με τους τρόπους σωστής ανακύκλωσης ή απόρριψης αυτού του προϊόντος.

Ενδεικτική λυχνία	Κατάσταση λειτουργίας
Αναβοσβήνει με λευκό χρώμα	Εκκίνηση σε εξέλιξη
Αναβοσβήνει αργά με πορτοκαλί χρώμα	Έτοιμο για ρύθμιση
Αναβοσβήνει με πορτοκαλί χρώμα	Ενημέρωση υλικολογισμικού σε εξέλιξη
Αναβοσβήνει αργά με λευκό χρώμα	Λήψη ήχου σε εξέλιξη
Αναβοσβήνει αργά με κόκκινο χρώμα	Σφάλμα - επικοινωνήστε με το τμήμα υποστήριξης
Ανάβει σταθερά με κόκκινο χρώμα	Σφάλμα - επικοινωνήστε με το τμήμα υποστήριξης
Αναβοσβήνει με κόκκινο χρώμα	Επαναφορά εργοστασιακών ρυθμίσεων σε εξέλιξη

Διάγραμμα 5  
Φωτισμός κουμπιού Form

## Vítejte u Bowers & Wilkins s Formation Flex.

Děkujeme vám, že jste si vybrali produkt Formation. Když John Bowers zakládal společnost Bowers & Wilkins, byl přesvědčen o tom, že nápaditý design, inovativní konstrukce a vyspělé technologie jsou klíčem ke kvalitnímu domácímu poslechu. Toto přesvědčení nás i nadále inspiruje při návrhu každého nového produktu a v produktech Formation je dovedeno k maximální dokonalosti.

Formation Flex je bezdrátová reprosoustava s připojením k počítačové síti, která umožňuje vysoce kvalitní reprodukci hudebních Formation streamů. U reprosoustav Formation Flex se předpokládá jejich prvotní konfigurace a ovládání přes aplikaci Bowers & Wilkins Home. Tato aplikace je k dispozici pro zařízení se systémem iOS i Android. Některé běžně používané ovládací funkce jsou rovněž dostupné prostřednictvím tlačítek na předním panelu Formation Flex. Instalaci a konfiguraci Formation Flex lze provádět pouze pomocí aplikace Bowers & Wilkins Home.

Formation Flex vám umožňuje:

- Poslouchat zvuk ze streamovacích služeb, jako například Spotify, Apple Music a Roon.
- Přehrávat audio soubory uložené na síti.
- Poslouchat zvuk přes Bluetooth ze správně připojených zdrojových Bluetooth zařízení.
- Poslouchat zvuk z klasických zdrojů, jako jsou například CD přehrávač či gramofon (vybavený Phono předzesilovačem), připojených do přístroje Formation Audio od Bowers & Wilkins.
- Bezdrátově streamovat zvuk z vašich zařízení po Airplay či Bluetooth.
- Sdílet hudební zdroj přehrávaný na jiném Formation zařízení umístěném ve vaší síti.

Pro připojení Formation Flex do vaší domácí sítě a rovněž pro vytvoření spojení s dalšími produkty Formation ve vaší domácnosti je vyžadována aplikace Bowers & Wilkins Home. Aplikace Bowers & Wilkins Home rovněž nabízí některé ovládací a konfigurační funkce. Před instalací Formation Flex si prosím na vaše zařízení se systémem iOS nebo Android stáhněte a nainstalujte aplikaci Bowers & Wilkins Home. Aplikace Bowers & Wilkins Home vyžaduje iOS V11.4 nebo novější, případně Android V8.1 nebo novější. Na vašem zařízení se systémem iOS nebo Android musí být povoleno Bluetooth a WiFi. Budete rovněž potřebovat heslo k vaší WiFi síti.

*Poznámka: V zařízení se systémem Android musí být během procesu instalace produktu Formation povoleny Služby určování polohy. Je tomu tak proto, že produkty Formation používají pro Bluetooth komunikaci verzi s nízkou spotřebou (BT-LE), jenž je na zařízeních se systémem Android zapnuta pouze tehdy, když jsou povoleny Služby určování polohy. Bowers & Wilkins nepoužívá žádná data ze služeb určování polohy pro marketingové účely.*

## 1. Obsah balení Formation Flex

Formation Flex  
Síťový napájecí kabel odpovídající vašemu regionu  
Balíček dokumentů

## 2. Instalace Formation Flex

Formation Flex lze použít různými způsoby – samostatně (jako monofonní reprosoustavu), v páru pro stereofonní reprodukci, nebo pro zadní surroundové kanály u 5.1 systému domácího kina.

Pokud tyto reprosoustavy chcete použít jako stereofonní pár, bylo by dobré, aby rozestup mezi nimi činil alespoň 1m a podobná vzdálenost by měla být mezi reprosoustavou a poslechovým místem. Pokud jsou reprosoustavy umístěny příliš blízko k sobě, bude se vytrácet stereofonní efekt. Pokud by vzdálenost mezi reprosoustavami byla naopak příliš velká, dojde ke zhoršení zaostření a zvuk mezi reprosoustavami nebude spojitý. Pro stereofonní poslech sice není nutné natáčet reprosoustavy směrem k sobě, přímo k místu poslechu, nicméně lze tím docílit lepšího zaostření zvuku. Základní umístění reprosoustav je znázorněno na obrázku 1.

Chcete-li reprosoustavy použít pro zadní kanály domácího kina v konfiguraci 5.1, měly by být umístěny zhruba v úhlu 120 stupňů od osy centru, jak je znázorněno na obrázku 2.

Vaše Formation Flex vyžadují připojení k napájení, je tedy třeba je umístit v dostupnosti elektrických zásuvek. Mají-li pak být k vaší počítačové síti připojeny po kabelu a ne po WiFi, je navíc třeba počítat s tím, aby byly v dosahu patřičného ethernetového kabelu.

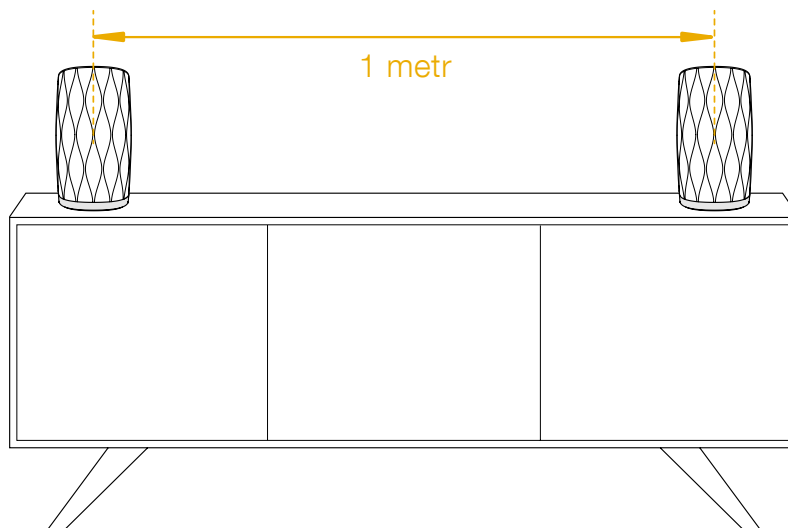
Budete-li chtít vaši reprosoustavu Formation Flex umístit na polici, ujistěte se, že je police schopna bezpečně nést hmotnost reprosoustavy.

Stejně jako všechny ostatní reprosoustavy, vyzařují Formation Flex zvukovou energii nejen dopředu, ale také do stran a dozadu. Čím více posunete Formation Flex ke zdi, nebo do rohu, tím více může díky odrazům dojít ke zdůraznění basů. Máte-li pocit, že je basů příliš mnoho, zkuste reprosoustavu přesunout do větší vzdálenosti od zdi. Nicméně úroveň basů můžete také doladit v menu aplikace Bowers & Wilkins Home.

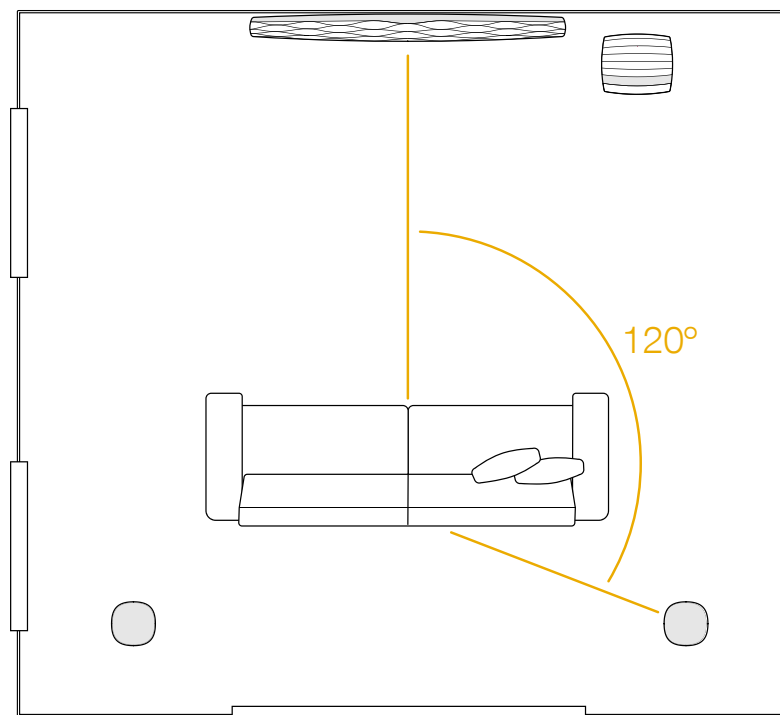
### Připojení

Mimo zdířky pro napájení **1** je každá reprosoustava Formation Flex vybavena také Ethernetovým terminálem pro kabelové připojení k routeru **2** (pokud nechcete používat bezdrátové WiFi připojení).

*Poznámka: na zadním panelu Formation Flex je také USB terminál, který je ovšem určen pouze k servisním a diagnostickým účelům. Nelze jej používat pro žádné jiné účely.*




Obrázek 1  
Umístění pro stereo




Obrázek 2  
Umístění pro domácí kino

## Zapnutí a vypnutí

Po dokončení všech připojení a instalaci aplikace Bowers & Wilkins Home na mobilním zařízení je produkt Formation Flex připraven k instalaci a používání. Formation Flex nemá vypínač nemá hlavní vypínač od napájení, takže po připojení do napájecí zásuvky a krátké nabíjecí proceduře, jejíž konec je oznámen zvukovým signálem, je přístroj plně aktivní a lze jej používat.


Při prvním zapnutí reprosoustav Formation Flex, které doposud nebyly použity, se automaticky aktivuje režim instalace, aby bylo možné jejich připojení do vaší domácí sítě a k jakýmkoli dalším dostupným zařízením Formation. Režim instalace je indikován pomalu pulzujícím oranžovým osvětlením dotykového tlačítka Formation . Formation Audio se rovněž objeví v aplikaci Bowers & Wilkins Home jako dostupné zařízení pro instalaci, a to buď na úvodní stránce aplikace nebo po výběru „Add Formation product“ (Přidat produkt Formation) na stránce Settings (Nastavení) v této aplikaci.

Reprosoustavy Formation Flex řídí svůj provozní stav a spotřebu energie zcela automaticky a po dvaceti minutách nečinnosti se přepnou do úsporného režimu. Formation Flex není nutno vůbec vypínat, avšak pokud tak chcete učinit, jednoduše je odpojte od síťového napájení. Formation Flex si zapamatují svá nastavení i po odpojení od síťového napájení.

Formation Flex můžete v případě potřeby restartovat krátkým stisknutím a uvolněním resetovacího tlačítka umístěného na jeho zadním panelu . Po stisknutí tohoto tlačítka se Formation Flex vypne a zase zapne. Všechna nastavení zůstanou při restartu Formation Flex zapamatována. Formation Flex můžete rovněž restartovat pomocí stránky Settings (Nastavení) v aplikaci Bowers & Wilkins Home.

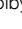
Pokud chcete Formation Flex resetovat na výchozí nastavení, stiskněte a po dobu 5ti vteřin podržte resetovací tlačítko. V tomto případě po svém restartu naběhne přístroj Formation Flex do režimu instalace. Všechna nastavení se při resetování Formation Flex smažou. Formation Flex můžete rovněž resetovat pomocí menu Settings (Nastavení) v aplikaci Bowers & Wilkins Home.

## Nastavení sítě

- Když je Formation Flex v režimu instalace a osvětlení tlačítka Formation  pomalu pulzuje oranžovou barvou, spusťte ve vašem zařízení se systémem iOS nebo Android aplikaci Bowers & Wilkins Home. Tato aplikace vás provede procesem instalace.

*Poznámka: Formation Flex používá během procesu instalace Bluetooth připojení k zařízení, na kterém je spuštěna aplikace Bowers & Wilkins Home. Protože má Bluetooth signál relativně krátký dosah a může docházet k jeho rušení zdi místností, doporučujeme vám, aby produkt Formation Flex a zařízení s aplikací Bowers & Wilkins Home zůstaly během procesu instalace v těsné blízkosti.*

- Aplikace Bowers & Wilkins Home nejprve vyhledá dostupné produkty Formation s aktivovaným režimem instalace a zobrazí obrazovku s výzvou k výběru jednoho z nich. Klepnutím vyberte váš produkt Formation Flex. Pokud je některý produkt Formation již nainstalován a přidáváte další, vyberte v menu Settings (Nastavení) v této aplikaci funkci „Add Formation product“ (Přidat produkt Formation).

- Aplikace Bowers & Wilkins Home vás dále vyzve k pojmenování „prostoru“ (Space), ve kterém bude váš produkt Formation Flex používán. Nabídne se seznam výchozích názvů prostorů; můžete si však rovněž vytvořit svůj vlastní. Po výběru nebo vytvoření názvu prostoru vás aplikace požádá, abyste se dotkli tlačítka Formation  na čelním panelu Formation Flex pro potvrzení vaší volby.

- Pokud budete u vašeho produktu Formation Flex používat bezdrátové připojení k síti, vyzve vás v dalším instalačním kroku aplikace Formation Flex k potvrzení/výběru správné WiFi sítě a zadání patřičného hesla. Je-li váš produkt Formation Flex připojen do vaší sítě prostřednictvím ethernetového kabelu, bude tento krok při instalaci přeskočen.

*Poznámka: Pokud jsou k WiFi síti již připojeny další produkty Formation, nebude instalace Formation Flex heslo k síti WiFi vyžadovat.*

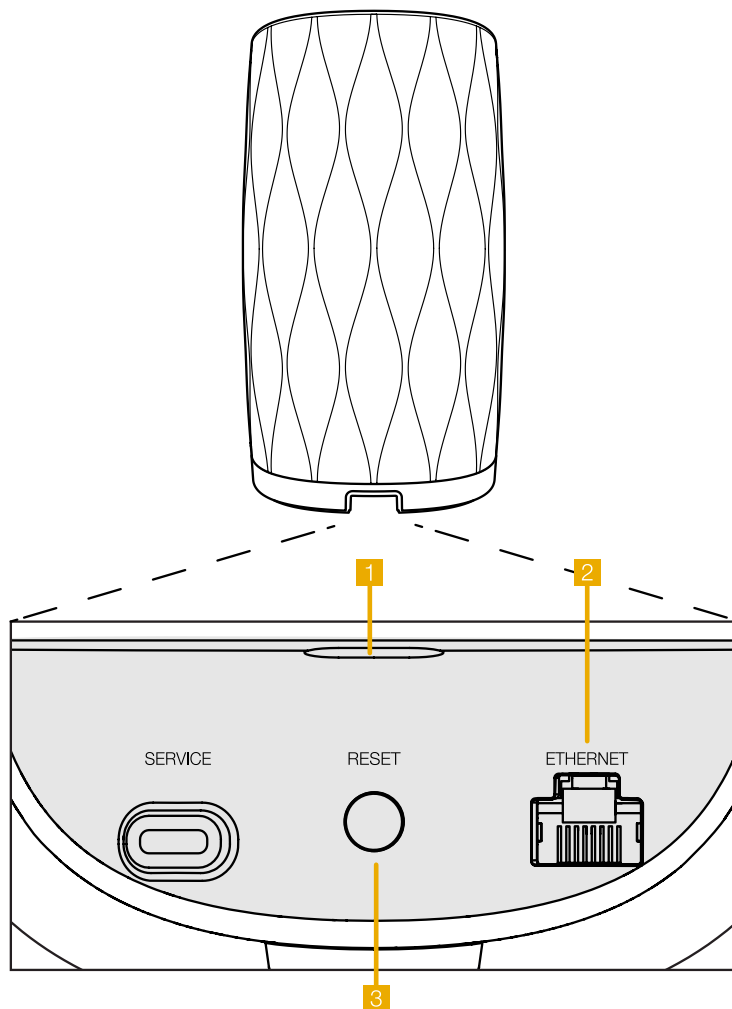
- Po dokončení konfigurace WiFi sítě a dokončení výběru „prostoru“ (Space) je váš produkt Formation Flex připraven k použití. Formation Flex přehraje zvukový signál potvrzující úspěšnou instalaci.

## Nastavení Bluetooth

K přístroji Formation Flex můžete připojit zdrojové Bluetooth audio zařízení, jako je například smartphone a streamovat z něj hudbu do Formation Flex. Zdrojové Bluetooth zařízení a Formation Flex je však nejprve třeba mezi sebou spárovat.

Po dokončení výše popsaných operací nutných k nastavení sítě Formation Flex otevřete stránku Settings (Nastavení) v aplikaci Bowers & Wilkins Home a vyberte Formation Space, se kterým chcete spárovat zdrojové Bluetooth zařízení. Dále vyberte z menu Bluetooth „+ Pair a new device“ (Spárovat nové zařízení) a dokončete párování podle pokynů aplikace. Váš produkt Formation Flex přehraje po dokončení párování zvukový signál a jeho prostor bude dostupný pro přehrávání zvuku ze spárovaného Bluetooth zařízení.

*Poznámka: S každým „prostorem“ Formation může být současně spárováno až osm Bluetooth zařízení, avšak tato zařízení nebudou ve spárovaných prostorech připojována a přehrávána automaticky.*



Obrázek 3  
Zadní panel Formation Flex

### 3. Ovládání Formation Flex

#### Základy


Formation Flex můžete používat pro přehrávání ze streamovacích služeb typu Spotify, Apple Music a Tidal, z hudební knihovny Roon a z internetových rádií pomocí vhodné aplikace iRadio. Máte-li k vaší síti připojeno více zařízení Formation, jako například Formation Audio, budou i do něj zapojené klasické audio zdroje dostupné k poslechu přes Formation Flex.

#### Prostory (Spaces)

Prostory jsou klíčovým konceptem rodiny produktů Formation. „Prostor“ Formation je místnost, nebo konkrétní oblast ve vašem domě určená k poslechu hudby. Každý prostor může obsahovat různé kombinace produktů Formation, jenž jsou přiřazením ke stejnému prostoru sloučeny tak, aby fungovaly společně. Možné konfigurace jsou zobrazeny na Obrázku 4.

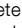
#### Přehrávání zvuku

Aplikace Bowers & Wilkins Home umožňuje výběr a přehrávání jakéhokoli dostupného zdroje zvuku, nebo zvukového streamu. Avšak podobně jako je při přehrávání z běžných zdrojů zvuku nutné spuštění reprodukce na daném zdroji, je nutno audio streamování pro Formation nejprve spustit prostřednictvím vlastní aplikace dané služby či brány: například pomocí aplikace Spotify nebo aplikace nějaké hudební knihovny, jako například Roon. V podstatě každá aplikace kompatibilní streamovací služby či knihovny bude uvádět váš prostor Formation Flex jako dostupné cílové zařízení pro přehrávání pomocí Airplay, Bluetooth, nebo Spotify Connect pro Spotify.






Jakmile jsou audio streamy přehrávány v síti Formation, mohou být vybrány v aplikaci Bowers & Wilkins Home nebo prostřednictvím dotykového tlačítka Formation  na předním panelu Formation Flex. Dotykem na tlačítko Formation můžete dostupné streamy a zdroje cyklicky procházet.

#### Ovládací prvky a kontrolky na horním panelu Formation Flex

Na horním panelu vašeho přístroje Formation Flex jsou dotyková tlačítka pro funkci spuštění/pozastavení přehrávání, zvýšení/snížení hlasitosti a pro volbu zdroj/stream.

- Dotykem na tlačítko Play/Pause  můžete zastavit nebo znovu spustit přehrávání zvuku.

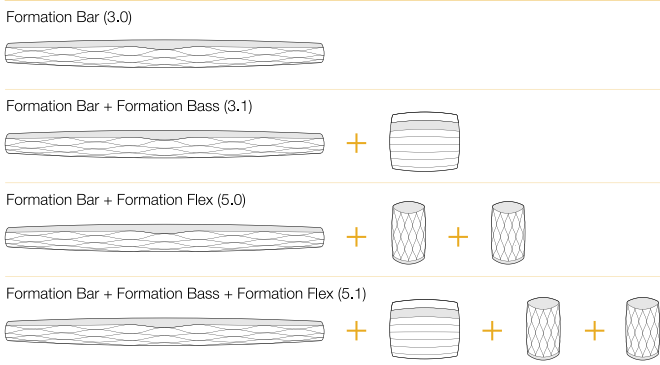
*Poznámka: Funkce spuštění přehrávání/pauzy bude fungovat pouze tehdy, pokud zdroj streamu obsahuje funkce spuštění přehrávání a pauzy dostupné přes Bluetooth nebo přes připojení k síti.*

- Dotykem na tlačítko pro zvýšení  nebo snížení hlasitosti  můžete nastavit místní hlasitost přehrávání jakéhokoli streamu či lokálního klasického zdroje. Stisknutím a podržením tlačítek  a  můžete hlasitost zvyšovat nebo snižovat plynule.
- Dotykem na tlačítko Formation  můžete cyklicky procházet a přehrávat aktivní streamy a zdroje dostupné v produktu Formation Flex.

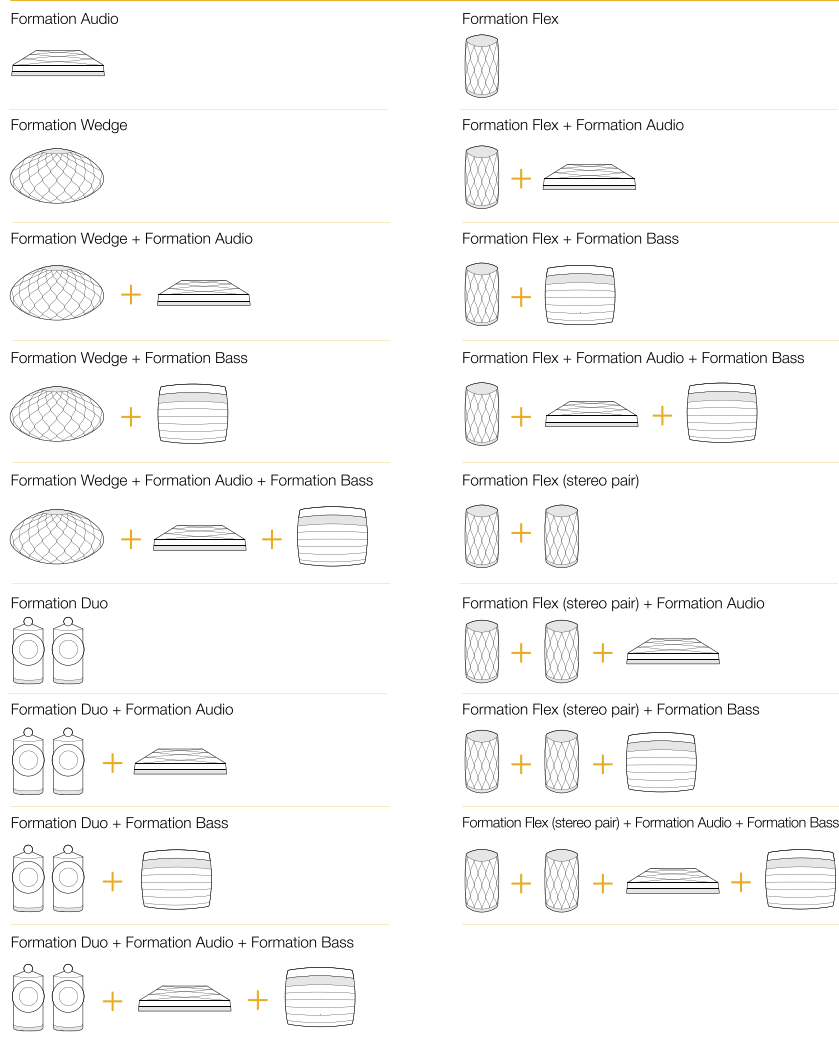
#### Podsвіcení tlačítka Form

Změnou způsobu podsвіcení tlačítka Formation na Formation Flex jsou indikovány různé provozní stavy. Jednotlivé stavy jsou vysvětleny na Obrázku 5.

#### Konfigurace prostoru TV



#### Konfigurace prostoru Music (Hudba)



Obrázek 4  
Konfigurace prostor

#### 4. Aplikace Bowers & Wilkins Home

Když je produkt Formation Flex nakonfigurován a připojen k vaší síti, otevře aplikace Bowers & Wilkins Home svou domovskou obrazovku, na které je uveden prostor Formation Flex a případně i jakékoli jiné dostupné prostory Formation.

Pro výběr jakýchkoli dostupných streamů, nebo vstupů, klikněte na daný prostor Formation. Pokud nejsou k dispozici žádné streamy, otevřete streamovací aplikaci, jako například Spotify, vyberte položku pro přehrávání a pak vyberte v seznamu dostupných cílových zařízení pro přehrávání daný prostor Formation. Nyní, když se vrátíte do aplikace Bowers & Wilkins Home, bude stream Spotify uveden na stránce daného prostoru (např. Formation Flex).

Na domovské stránce aplikace Bowers & Wilkins Home je v pravém horním rohu ikona Settings (Nastavení). Klepněte na tuto ikonu pro otevření tohoto menu. Menu Settings (Nastavení) obsahuje možnosti pro konfiguraci a resetování vašich zařízení Formation a přejmenování vašich prostorů Formation. Z menu Settings (Nastavení) se rovněž spouští aktualizace aplikace a firmwaru zařízení Formation.

#### Popsis aplikace Bowers & Wilkins Home

Aplikace Bowers & Wilkins Home po otevření vyhledá dostupné prostory Formation a pak zobrazí svou domovskou stránku se seznamem těchto prostorů.

Pod každým prostorem zobrazí tato aplikace jeho aktuální aktivitu. Po klepnutí na aktivní prostor se otevře obrazovka „now playing“ (nyní se přehrává), která umožňuje ovládnutí hlasitosti a spouštění přehrávání/pauzy.

Obrazovka „now playing“ (nyní se přehrává) rovněž obsahuje možnost „Available Spaces“ (Dostupné prostory) umožňující předat stream přehrávaný ve vybraném prostoru do jiného prostoru, nebo jej přehrávat ve více prostorech najednou. Na obrazovce „Available Spaces“ (Dostupné prostory) je rovněž k dispozici možnost ovládat hlasitost, a to buď globálně napříč všemi prostory, nebo v jednotlivých prostorech separátně.

Po kliknutí na ikonu nastavení v aplikaci Bowers & Wilkins Home se otevře stránka Settings (Nastavení). Počáteční menu Settings obsahuje jednotlivé prostory a počet zařízení Formation existujících v každém z nich.

Kliknutím na prostor uvedený v menu Settings (Nastavení) získáte přístup k jeho konfiguraci a nastavení všech zařízení Formation, která daný prostor obsahuje. Chcete-li tedy nastavovat konkrétní přístroj, klikněte nejprve na název prostoru (Space) pro získání přístupu k nastavení prostoru a pak klikněte na název daného zařízení pro jeho nastavení. Položky, které se pro nastavení zobrazí, budou záviset na příslušném zařízení.

*Poznámka: Pokud ikona Settings (Nastavení) v aplikaci Bowers & Wilkins Home zobrazuje žlutou tečku, znamená to, že je k dispozici aktualizace firmwaru Formation. Proces aktualizace firmwaru se spouští z menu Settings (Nastavení). Doporučujeme vám, abyste udržovali aplikaci Bowers & Wilkins Home a vaše zařízení Formation stále aktuální, s nainstalovanou nejnovější verzí aplikace a nejnovější verzí firmwaru. Zajišťte tak maximální spolehlivost a navíc si budete moci užívat nejnovější funkce Formation.*

#### 5. Hudební streamy a zdroje Formation

##### Používání služby Spotify

Použijte váš telefon, tablet nebo počítač jako dálkový ovladač pro Spotify. Další informace si vyhledejte na [spotify.com/connect](https://www.spotify.com/connect).

Používání softwaru Spotify je podmíněno přidělením licencí třetím stranám, které jsou popsány zde: <https://www.spotify.com/connect/third-party-licenses>.

##### Používání přenosu Airplay

Airplay umožňuje streamovat zvuk po síti z aplikací v Apple zařízeních, či z aplikace iTunes pro PC, do přístrojů s funkcí Airplay, jako je například Formation Flex. Pokud se v síti nachází přístroj s funkcí Airplay a aplikace funkci Airplay podporuje, zobrazí se v ní Airplay ikona.

Chcete-li používat Airplay, otevřete požadovanou zvukovou aplikaci a vyberte hudbu, kterou chcete přehrávat. Klikněte na ikonu Airplay pro zobrazení seznamu dostupných zařízení a následně vyberte prostor Formation, který chcete používat.

*Poznámka: Funkce Airplay jako taková nyní podporuje i streamování do několika zařízení současně. V takovém případě je však spolehlivost a kvalita velmi závislá na parametrech vaší domácí sítě. V případě systému Formation může být mnohem lepší, pokud Airplay stream nasměrujete jen do jednoho prostoru/zařízení a pak pomocí aplikace Bowers & Wilkins Home zvolíte sdílení s dalšími prostory.*

##### Používání služby Roon

Roon je hudební knihovna s množstvím funkcí a aplikací pro přehrávání, která shromažďuje všechny hudební soubory dostupné ve vaší síti a zpřístupňuje je pro snadné používání napříč všemi prostory Formation a jakýmkoli audio zařízeními podporujícími Roon. Aplikace Roon je pak k dispozici pro mobilní telefony, notebooky i stolní zařízení.

Po otevření Roon se zobrazí vaše kompletní zvuková knihovna společně s jejími metadaty a obrázky, včetně všech prostorů Formation a jakýchkoli jiných dostupných síťových audio zařízení kompatibilních s Roon. Jednoduše vyberte hudbu, kterou chcete přehrávat a pak prostor Formation, ve kterém ji chcete poslouchat.

*Poznámka: Roon jako takový podporuje i streamování do několika zařízení současně. V takovém případě je však kvalita přehrávání a synchronizace velmi závislá na parametrech vaší domácí sítě. V případě systému Formation může být mnohem lepší, pokud stream z aplikace Roon nasměrujete jen do jednoho Formation prostoru/zařízení a pak pomocí aplikace Bowers & Wilkins Home zvolíte sdílení s dalšími prostory.*

##### Používání Bluetooth

Bluetooth umožňuje audio aplikacím v mobilním telefonu, tabletu či počítači, bezdrátově streamovat zvuk obsah do kompatibilního hardwaru, jako je například Formation Flex.

Chcete-li používat Bluetooth, zajistěte, aby byl v menu Bluetooth nastavení u vašeho zařízení vybrán požadovaný prostor Formation. Pak jednoduše otevřete požadovanou zvukovou aplikaci a vyberte hudbu, kterou chcete přehrávat.

#### 6. Čištění

Pokud váš produkt Formation Flex potřebuje očistit, můžete jeho povrch otřít jemnou a suchou utěrkou, na mřížku lze použít jemný kartáček. Chcete-li použít jakoukoli čisticí tekutinu, naneste ji na čisticí utěrku, nikoli přímo na přístroj Formation Flex. Čištění pak nejprve vyzkoušejte na malé ploše, protože některé čisticí produkty mohou poškodit povrch. Vyvarujte se používání čisticích prostředků s brusným účinkem a produktů obsahujících kyselinu, alkalické nebo antibakteriální složky.

#### 7. Podpora

V případě, že budete potřebovat další asistenci nebo rady ohledně vašeho produktu Formation Flex, navštivte prosím stránky zákaznické podpory Formation na adrese [www.bowerswilkins.com/support](http://www.bowerswilkins.com/support).

##### Informace o životním prostředí

Tento produkt vyhovuje mezinárodním směrnici včetně, avšak nikoli výhradně, směrnice omezující používání nebezpečných látek v elektrických a elektronických zařízeních (RoHS), směrnice pro registraci, hodnocení, povolování a omezování chemických látek (REACH) a směrnice pro likvidaci vyřazených elektrických a elektronických zařízení (WEEE). Informace o správné recyklaci a likvidaci tohoto produktu vám poskytnou místní úřady zabývající se likvidací odpadu.

Indikátor	Provozní stav
Bliká bíle	Probíhá spouštění
Pulzuje žlutě	Připraveno k nastavení
Bliká žlutě	Probíhá aktualizace firmwaru
Pulzuje bíle	Probíhá načítání zvuku
Pulzuje červeně	Chyba – kontaktujte podporu
Svítil červeně	Chyba – kontaktujte podporu
Bliká červeně	Probíhá resetování na tovární hodnoty

Obrázek 5  
Stavy podsvícení tlačítka Form

## Üdvözlí Önt a Bowers & Wilkins és a Formation Flex

Köszönjük, hogy a Formation készüléket választotta. Amikor John Bowers megalapította a Bowers & Wilkins céget, hitte, hogy az ötletes dizájn, az innovatív megoldások és a fejlett technológia az otthoni szórakoztatás alapjai. Ez az elv mai napig a vállalat mozgatórugója és pillanatnyilag a Formation fejezi ki legjobban ezt az elképzelést.

A Formation Flex egy hálózati kapcsolatra képes, vezeték nélküli, aktív hangsugárzó, mely lehetővé teszi a Formation audió streamek kiemelkedő hangminőségű lejátszását. A Formation Flex elsősorban a Bowers & Wilkins Home Appel használható. Az App elérhető mind iOS mind Android eszközökre. Néhány gyakran használt funkció azonban a Formation Flex előlapi gombjaival is elérhető. A Formation Flex csak a Bowers & Wilkins Home programmal installálható és konfigurálható.

A Formation Flex készülékkel a következőkre lesz képes:

- Zenehallgatás olyan streaming szolgáltatóktól, mint a Spotify, Apple Music vagy Roon.
- Hálózaton tárolt audió fájlok visszajátszása.
- Audió anyagok hallgatása Bluetooth kapcsolaton keresztül, Bluetooth képes eszközökről.
- Audió hallgatása, helyileg csatlakoztatott eszközökről, mint például lemezjátszó (phono előerősítőn keresztül) és CD lejátszó, melyek a Formation Audio készülékhez csatlakoznak.
- Audió anyagok hallgatása Internet rádióról, Airplay vagy Bluetooth kompatibilis szolgáltatásokról és applikációkról.
- Zenelejátszás, bármely az otthonában lévő Formation eszközön, mely az otthoni hálózatához kapcsolódik.

A Bowers & Wilkins Home App használata szükséges, hogy a Formation Flex eszközt az otthoni hálózatához csatlakoztassa, valamint más, az otthonában lévő Formation eszközhez kapcsolja. A Bowers & Wilkins Home alkalmazás ugyanakkor néhány irányításbeli és konfigurációs funkcióval is rendelkezik, a használat közben. Mielőtt megkezdene a Formation Flex beállítását, kérjük, töltsen le a Bowers & Wilkins Home App-et az iOS vagy Android eszközére. A Bowers & Wilkins Home használatához iOS 11.4 vagy újabb, Android eszközöknél 8.1 vagy újabb verziószámú szoftver szükséges. A Bluetooth és Wifi szolgáltatásokat engedélyezni kell az eszközén. A Wifi hálózat jelszavára ugyancsak szüksége lesz.

*Megjegyzés: A Formation beállítási folyamatához az Android eszközöknél engedélyezni kell a helymeghatározó szolgáltatást is. Ez azért szükséges, mert a Formation termékek alacsony teljesítményű Bluetooth kapcsolatot igényelnek (BT-LE) a kommunikációhoz, mely az Android eszközöknél csak akkor működik, ha a helymeghatározás engedélyezve van. A Bowers & Wilkins nem használ fel semmilyen helymeghatározási adatot marketing céljából.*

## 1. A Formation Flex dobozának tartalma

Formation Flex  
Az országának megfelelő hálózati kábel  
Dokumentum csomag

## 2. A Formation Flex beüzemelése

A Formation Flex számos helyzetben használható - egymagában, monó hangszugárzóként, egy kompakt sztereo párként vagy egy 5.1 mozirendszer háttérhangszugárzójaként.

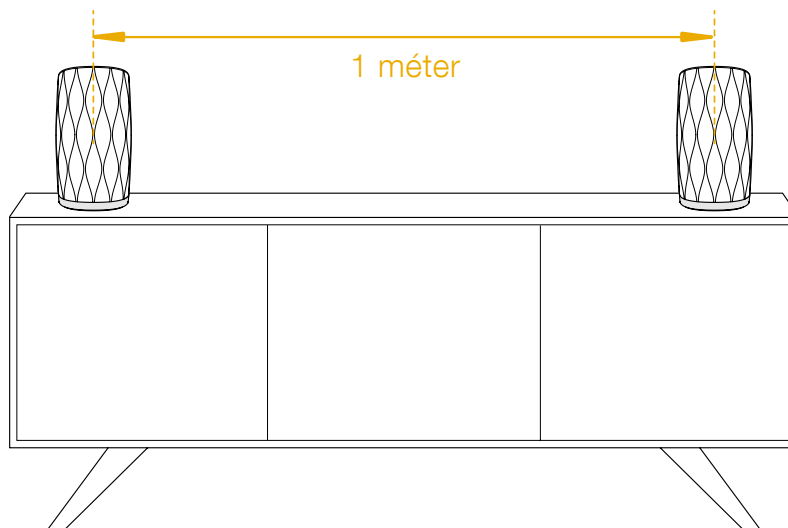
Ha sztereo párként használja, akkor a Formation Flex hangszugárzókat egymástól legalább 1m(3ft) távolságra helyezze el, hasonló távolságra helyezkedjen el a hallgatási pozíciótól is. Ha a hangszugárzók túl közel kerülnek egymáshoz, akkor a sztereo kép erőtlenné lesz, ha túl távolra, akkor a sztereo fókuszs lesz túl gyenge. A Formation Flex hangszugárzókat nem szükséges a hallgatói pozíció felé fordítani, ugyanakkor, ha mégis így tesz, a sztereo fókuszs még pozicionáltabb lesz. Az 1. ábra illusztrálja az alapvető hangszugárzó elhelyezést.

Ha 5.1 házimozis rendszer háttérként használja a Formation Flex hangszugárzót, akkor, megközelítőleg 120 fokos szögben helyezze el a center sugárzóhoz képest. Ezt a 2. ábrán láthatja.

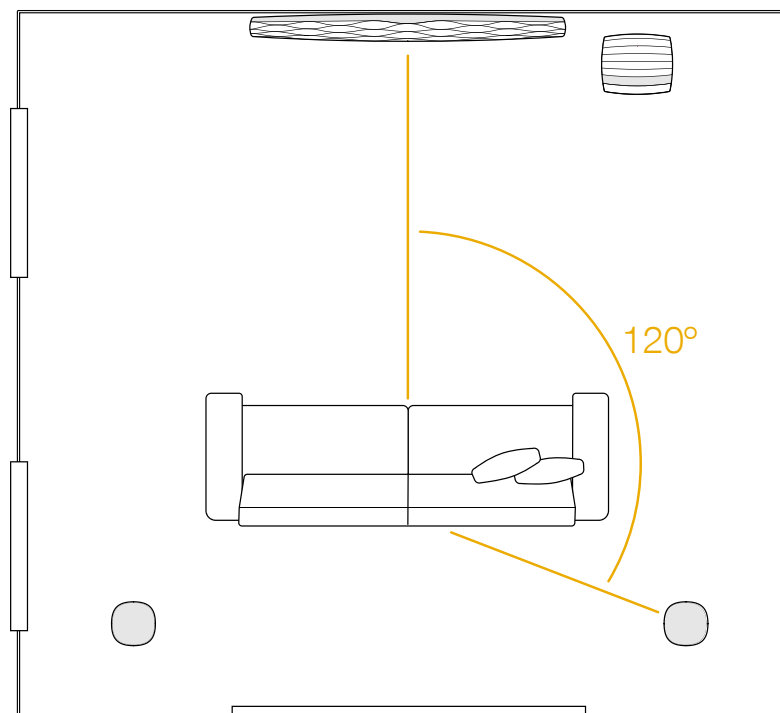
A Formation Flex működéséhez csupán egy hálózati kábel szükséges, így szinte bárhová elhelyezheti, ahol kényelmes Önnek. Ha a Formation Flex hangszugárzóját vezetékkel (Ethernet) szeretné az otthoni hálózati routerére kötni, akkor a kábelezés közelébe kell elhelyezni a hangszugárzót.

Ha a Formation Flexet polcra szeretné helyezni, akkor győződjön meg arról, hogy a polc elbírja a hangszugárzó súlyát.

Mint minden hangszugárzó, a Formation Flex is hangfrekvenciás energiát sugároz, nem csak előre, hanem oldalra és hátra is. Ennek megfelelően, ha a Formation Flexet túl közel helyezi a falakhoz, akkor a mélyhangok felerősödhetnek. Ha úgy találja hogy a Formation Flex mélyhangjai túl tolatkodóak, az áthelyezés ésszerű döntés lehet, de ugyanakkor a mélyhang szintjét a Bowers & Wilkins Home appban a beállítások menüpontjában is módosíthatja.



1. Ábra  
Sztereo elhelyezés



2. Ábra  
Házimozis elhelyezés


## Csatlakozások

A hálózati csatlakozáson **1** kívül a Formation Flex egy hálózati Ethernet aljzattal **2** is rendelkezik, melyet akkor használjon, ha a vezeték nélküli (Wifi) hálózat helyett vezeték hálózatot választja.

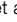
*Megjegyzés: A Formation Flex hátlapján található USB aljzat csak szervíz és diagnosztika céljára szolgál. Más célból nem használható.*

## Be és kikapcsolás

Miután minden csatlakoztatást elvégzett és a Bowers & Wilkins Home App is feltelepült a mobil eszközére, a Formation Flex készen áll az üzembe helyezésre és használatra. A Formation Flex készülékének nincs fő hálózati kapcsolója, a hálózati kábel csatlakoztatása után egy rövid bekapcsolási rutin után a készülék üzemképesé válik. Egy rövid hang lejátszásával jelzi az üzemkész állapotot.

Ha a Formation Flex az üzembe helyezés előtt nem volt másol használatban, akkor először automatikusan beállítás módba lép, hogy létrejöhhessen a kapcsolat az otthoni hálózatával és más Formation eszközökkel. A beállítás módot a Form érintőkapcsoló  lassú, narancsszínű pulzálása jelzi. Ugyanakkor a Formation Flex a Bowers & Wilkins Home Appben is megjelenik, a főoldalon, vagy az 'Add Formation Product' kiválasztásával a Beállítások aloldalon.


A Formation Flex a működési állapotát és az energia felhasználását teljesen automatikusan szabályozza. Húsz perc inaktivitás után energiatakarékos módba kapcsol. Nem szükséges kikapcsolni a Formation Flex hangszugárzót, ugyanakkor, ha szeretné, egyszerűen kihúzhatja a hálózatról. A Formation Flex megőrzi a beállításokat áramtalanítás után is.

Újraindíthatja a Formation Flex készülékét a hátlapon található reset gomb  rövid megnyomásával. A gomb megnyomására a Formation Flex kikapcsol, majd újra bekapcsol. Minden beállítás eltárolódik a Formation Flex újraindítása után is. Ugyancsak újraindíthatja a Formation Flex készülékét a Bowers & Wilkins Home App beállítások oldalán.

Ha törölni szeretné a Formation Flex beállításait és az alapértelmezett beállításokat előhívni, nyomja meg és tartsa lenyomva a reset gombot öt másodpercig. Újraindulás után a Formation Flex beállítások módba lép. Minden eddigi beállítás törölődik ebben az esetben. A Formation Flex beállításai törölhetők a Bowers & Wilkins Home alkalmazás beállítások oldaláról.

## Network Setup

### Hálózati beállítás

- A Formation Flex beállítási állapotát a Form gomb  lassú, narancsszínű pulzálással jelzi. Nyissa meg a Bowers & Wilkins Home alkalmazást az iOS vagy Android eszközén. A program keresztülvezeti a beállítás lépésein.

*Megjegyzés: A Formation Flex a Bowers & Wilkins Home App-et futtató eszköz Bluetooth kapcsolatát használja a beállításához. A Bluetooth jelek relatív kis hatótávolságúak és megzavarhatják a szobák falai, így azt javasoljuk, hogy a Formation Flex és a Bowers & Wilkins Home alkalmazást futtató eszköz legyen egymáshoz közel a beállítás időtartama alatt.*

- A Bowers & Wilkins Home App először megkeresi az elérhető beállítási állapotban lévő Formation terméket, majd a kijelzőn felkínálja kiválasztásra. Ekkor válassza a Formation Flex készüléket. Ha már van Formation termék beállítva és egy újat szeretne hozzáadni, akkor válassza az 'Add Formation Product' feliratot a beállítások menüben.
- Ez után a Bowers & Wilkins Home App kéri, hogy nevezze el a 'Helységet', a Formation Flex használati helye alapján. Néhány alapértelmezett 'Helység' nevet felkínál a program, de Ön is létrehozhat egy sajátot. Miután kiválasztotta, vagy létrehozott egy Helység nevet, a Form gomb  megérintésével fogadhatja el a beállításokat.
- Ha vezeték nélküli hálózattal szeretné használni a Formation Flex készülékét, akkor a következő lépés a Formation Flex csatlakoztatása az otthoni hálózathoz. Az App felkéri a megfelelő Wifi hálózat kiválasztására, majd a jelszó beírására. Alternatívaként, ha a Formation Flex készüléket vezetékkel szeretné csatlakoztatni az otthoni hálózatra, Ethernet kábel segítségével, akkor a fenti beállításokon átugrik a program.
- A Wifi beállítások és a Helység kiválasztása után a Formation Flex készen áll a használatra. A Formation Flex rövid hanggal jelzi a sikeres beüzemelést.

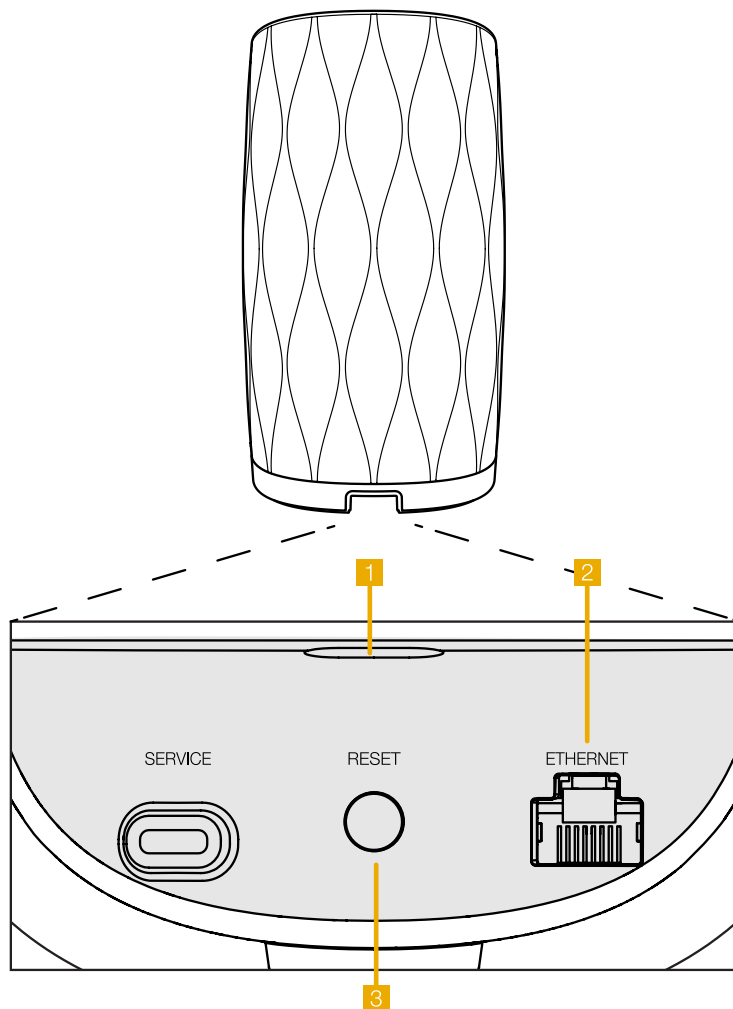
### Bluetooth beállítás

A Formation Flex készülékre Bluetooth képes audio eszközzel is csatlakozhat, például okostelefon, hogy audio tartalmat játsszon le. A Formation Flex készüléket azonban előbb párosítani kell a Bluetooth képes audio forrás eszközzel.

Miután a Formation Flex hálózati beállításai sikeresen befejeződtek, nyissa meg a Bowers & Wilkins Home App beállítások aloldalát, majd válassza ki a párosítani kívánt Formation terméket. Érintse meg a '+ Pair new device' feliratot a Bluetooth menüben, majd kövesse a program útmutatásait a párosítás beállításához. A Formation Flex hanggal jelzi a kapcsolat létrejöttét és a Helység innentől kezdve elérhető lesz a párosított Bluetooth eszköz számára.

*Megjegyzés: Akár nyolc Bluetooth eszközzel tud csatlakozni egy Formation Helységhez, ugyanakkor az eszközök nem kapcsolódnak a párosított Helységekhez automatikusan.*

*Megjegyzés: Ha már rendelkezik más beüzemelt Formation termékkel, akkor a Formation Flex beállításoknál a program nem kér Wifi jelszót.*



3. Ábra  
Formation Flex csatlakozó panel

### 3. A Formation Flex használata

#### Az alapok


A Bowers & Wilkins Home App lehetővé teszi több elérhető audió forrás streamelését, olyan szolgáltatóktól, mint például Spotify, Apple Music és Tidal, a Roon zenekönyvtárból és internet rádióról egy megfelelő iRadio program segítségével. Ha további Formation eszköz is csatlakozik a hálózathoz, például egy Formation Audio, akkor az ahhoz csatlakoztatott hagyományos audió forrás is lejátszható a Formation Flex hangsugárgázón keresztül.

#### Helységek

A Helység, a Formation termékcsalád alapja. A Formation „Helység” elnevezés olyan szobát vagy specifikus helyet takar az otthonában, ahol zenét hallgat. Mindegyik Helység, különböző kombinációjú Formation termékeket tartalmazhat. A lehetséges konfigurációkat a 4. ábrán láthatja.

#### Audió anyagok lejátszása

A Bowers & Wilkins Home App lehetővé teszi, hogy kiválasszon és lejátszson bármely elérhető audió forrást vagy streamet. Ugyanakkor, hasonlóképp a hagyományos audió forrás lejátszásához, a lejátszás parancsot kezdeményezni kell a saját alkalmazásban: például a Spotify programnál, vagy egy zene könyvtár kezelő programnál, mint a Roon. Mindegyik külső vagy zenei könyvtárkezelő program felsorolja a Formation Flex Helységet, mint elérhető lejátszó eszközt az Airplay, Bluetooth vagy a Spotify esetén a Spotify Connect használatkor.



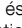
Miután az audió streamek lejátszásra kerülnek a Formation hálózaton, kiválaszthatók a Bowers & Wilkins Home alkalmazásból vagy a Formation Flex Form gombjának  megnyomásával. A gomb ismételt megnyomásával lehet léptetni az elérhető streamek vagy források között.

#### Formation Flex fedlap gombok és visszajelzések

A Formation Flex készülékének érintőgombjai vannak, melyekkel szabályozható a hangerő, a zene lejátszása és megállítása és forrás/stream választása.

- Play/Pause gomb  II megállítja és újraindítja a lejátszást.

*Megjegyzés: A play/pause gomb csak akkor működőképes, ha a stream forrásnak van play (lejátszás) vagy pause (pillanat áll) funkciója, melyet a készülék Bluetooth vagy hálózati csatlakozáson keresztül el tud érni.*

- A hangerő fel  vagy le  gombjaival állíthatja a helyi, bármely hálózati stream vagy helyi forrás hangerejét. Nyomja meg és tartsa lenyomva a gombokat a hangerő folyamatos növeléséhez vagy csökkentéséhez.
- A Form gomb  megnyomásával választhat ki és indíthat el aktív streamet és forrásokat a Formation Flex készülékén.

#### TV Helység konfigurációk

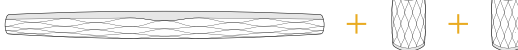
Formation Bar (3.0)



Formation Bar + Formation Bass (3.1)



Formation Bar + Formation Flex (5.0)



Formation Bar + Formation Bass + Formation Flex (5.1)



#### Zene Helység konfigurációk

Formation Audio



Formation Wedge



Formation Wedge + Formation Audio



Formation Wedge + Formation Bass



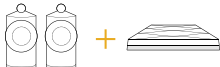
Formation Wedge + Formation Audio + Formation Bass



Formation Duo



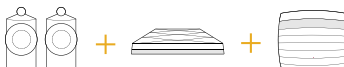
Formation Duo + Formation Audio



Formation Duo + Formation Bass



Formation Duo + Formation Audio + Formation Bass



Formation Flex



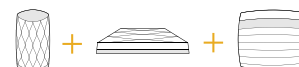
Formation Flex + Formation Audio



Formation Flex + Formation Bass



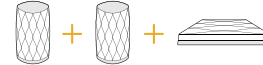
Formation Flex + Formation Audio + Formation Bass



Formation Flex (stereo pair)



Formation Flex (stereo pair) + Formation Audio



Formation Flex (stereo pair) + Formation Bass



Formation Flex (stereo pair) + Formation Audio + Formation Bass



4. Ábra  
Helység konfigurációk

## A Form Gomb színjelzései

A Formation Flex Form gombjának színe jelzi, a készülék működési állapotait. Ez a 5. ábrán látható.

## 4. A Bowers & Wilkins Home App

A már konfigurált és a hálózathoz csatlakoztatott Formation Flex esetében, a Bowers & Wilkins Home App, a Home kezdőoldalon listázza ki a Formation Flex eszközt vagy más elérhető Formation Helységeket.

Válasszon egy Formation Helységet és bármely elérhető streamet vagy bemenetet. Ha nincs elérhető stream, nyisson meg egy streaming alkalmazást, például Spotifyt, válassza ki a lejátszandó számot, majd válassza ki az elérhető lejátszó eszközök közül. A Bowers & Wilkins Home alkalmazásba visszatérve a Spotify stream megjelenik a Formation Flex Helység oldalán.

The Bowers & Wilkins Home alkalmazás Home kezdőoldalán a jobb felső sarokban található a beállítások ikon. Az ikon megnyomásával, az alkalmazás beállításaiba jut. A beállítások menüben, konfigurálhatja vagy törölheti a Formation eszközöket és át is nevezheti a Formation Helységeket. Az alkalmazás és a Formation eszköz firmware frissítései is ebből a menüből elérhetők.

### Eligazodás a Bowers & Wilkins Home App programjában

A Bowers & Wilkins Home App megnyitása után megkeresi és kilistázza az elérhető Formation Helységeket a Home főoldalon.

Mindegyik Helység alatt megjelenik a pillanatnyi aktivitás. Az aktív Helysége nyomva megjelenik a „now playing” képernyő, ahol megállíthatja vagy elindíthatja a lejátszást, illetve hangerőt is szabályozhat.

A „now playing” képernyő oldal tartalmazza az 'Aviable Spaces' opciót is, mely lehetővé teszi a lejátszott stream másik Helységbe való továbbítását vagy több Helységben való lejátszását. Az 'Aviable Spaces' képernyő oldalon szabályozhatja a rendszer, vagy külön a Helységek hangerejét.

A Bowers & Wilkins Home App konfigurálását beállítások ikonra nyomva érheti el. A belső beállítások menü kilistáz minden Helységet és a Helységekben használt Formation eszközök számát.

A menüben az adott Helysége nyomva érhető el a Helység és maga a Formation eszköz beállítása. A Helység nevére nyomva érhetőek el a Helység beállítások az eszköz nevére nyomva pedig az eszköz beállítások. A rendelkezésre álló eszköz beállítások az adott készüléktől függenek.

*Megjegyzés: Ha a beállítások ikon felett sárga pötty jelenik meg, akkor az elérhető Formation firmware frissítést jelez. A Firmware frissítés folyamata a beállítások menüből indítható. Lehetőség szerint mindig frissítse a Bowers & Wilkins Home App-et és a Formation eszközöket az elérhető legújabb verzióra. Ez nemcsak a megbízhatóbb működést segíti, hanem biztosítja, hogy az új Formation szolgáltatások előnyeit élvezze.*

## 5. Formation zene streamek és források

### A Spotify használata

Használhat telefont, tabletet vagy számítógépet a Spotify irányításához. Bővebb információkért keresse fel a [spotify.com/connect](https://www.spotify.com/connect) oldalt.

A Spotify szoftverre vonatkozó harmadik fél licencei itt találhatóak: <https://www.spotify.com/connect/third-party-licenses>.

### Airplay használata

Az Airplay képes alkalmazások az Apple mobilokról, laptopokról vagy asztali eszközökről streamelnek anyagot hálózaton keresztül egy Airplay kompatibilis eszközre, mint a Formation Flex. Az Airplay képes alkalmazásoknál megjelenik az Airplay ikon.

Az Airplay használatához, nyissa meg a használni kívánt audió alkalmazást, majd válassza ki a lejátszani kívánt számot. Nyomja meg az Airplay ikont, majd válassza ki az elérhető eszközök közül a használni kívánt Formation Helységet.

*Megjegyzés: Az Airplay-en keresztül egyszerre több eszközre való streamelés is lehetséges, azonban a lejátszás minősége és a szinkronizáció az otthoni hálózatának képességétől függhet. Ha egyénél több Formation Helységben szeretne zenét hallgatni, akkor a Helységek összekapcsolásához használja a szinkronizáció szempontjából jelentősen fejlettebb Bowers & Wilkins Home App-et.*

### A Roon használata

A Roon egy zenei és lejátszási szolgáltatásokban gazdag alkalmazás, amely a hálózatán található összes zenei fájlt összegyűjti, listába rendezi, és könnyedén elérhetővé teszi bármely Formation Helység vagy Roon kompatibilis eszköz számára. A Roon mobil, laptop vagy asztali számítógépekre is elérhető.

A Roon alkalmazás megnyitásakor, megjelenik a komplett audió könyvtár, meta adatokkal és az albumborítókkal kiegészítve. Emellett a hálózaton elérhető Formation Helységek is láthatóvá válnak. Zenehallgatáshoz egyszerűen válassza ki a lejátszani kívánt zenét és a Formation Helységet.

*Megjegyzés: Az Roon alkalmazáson keresztül egyszerre több eszközre való streamelés is lehetséges, azonban a lejátszás minősége és a szinkronizáció az otthoni hálózatának képességétől függhet. Ha egyénél több Formation Helységben szeretne zenét hallgatni, akkor a Helységek összekapcsolásához használja a szinkronizáció szempontjából jelentősen fejlettebb Bowers & Wilkins Home App-et.*

### A Bluetooth használata

A Bluetooth képes alkalmazások, mobil, laptop vagy asztali készülékekről képesek adatot streamelni vezeték nélkül egy kompatibilis hardverre, mint a Formation Flex.

A Bluetooth használatakor, győződjön meg arról, hogy a használni kívánt Formation Helységet kiválasztotta a készüléke Bluetooth menüjében, majd nyissa meg az alkalmazást és indítsa el a kívánt zene lejátszását. Nyomja meg az eszköz ikonját, majd válassza ki az elérhető eszközök közül a használni kívánt Formation Helységet.

## 6. Tisztítás

Ha a Formation Flex készülékét le szeretné tisztítani, akkor a tetejét, tiszta, szőszmentes kendővel törölje át, a rácsot pedig puha szőrű kefével tisztítsa meg. Ha tisztítószert szeretne használni, akkor a folyadékot először a törülközőre tegye és ne közvetlenül a Formation Flex készülékre. Először egy kis területen próbálja ki, mert a tisztítószer esetleg kárt okozhat a felületben. Tartózkodjon a csiszoló hatású, savas, lúgos vagy antibakteriális tisztítószerek használatától.

## 7. Támogatás

Ha további segítségre lenne szüksége a Formation Flex készülékkel kapcsolatosan, akkor keresse fel a Formation támogatási weboldalt az alábbi címen [www.bowerswilkins.com/support](http://www.bowerswilkins.com/support).

### Környezetvédelmi információk

Ez a termék megfelel a nemzetközi irányelveknek, ideértve, de nem kizárólagosan az Elektromos és Elektronikus berendezések veszélyes anyagának korlátozásáról (RoHS), a Vegyi anyagok Regisztrálására, Értékelésére, Engedélyezésére és Korlátozásáról (REACH), valamint az Elektromos és Elektronikus Hulladékok (WEEE) ártalmatlanításáról szóló rendeleteknek. A termék újrahasznosításához vagy ártalmatlanításához tanácsot kérhet a helyi hulladékkezelő hatóságtól.

Kijelzés	Műveleti állapot
Villogó fehér	Bekapcsolási folyamat
Pulzáló sárga	Beállításra kész üzemmód
Villogó sárga	Firmware frissítés folyamatban
Pulzáló fehér	Forrásváltás folyamatban
Pulzáló piros	Hiba – vegye fel a kapcsolatot támogatásért
Piros	Hiba – vegye fel a kapcsolatot támogatásért
Villogó piros	Beállítások törlése folyamatban

## 5. Ábra

A Form gomb színjelzései

## Witamy i dziękujemy za nabycie produktu firmy Bowers & Wilkins Formation Flex.

Dziękujemy za wybór Formation Flex. John Bowers założył swoją firmę, ponieważ wierzył, iż ciekawy wygląd, innowacyjna konstrukcja i zaawansowana technologia są kluczami do rozkoszowania się dźwiękiem w domowym zaciszu. Ta właśnie wiara towarzyszy nam i inspiruje każdy produkt, który tworzymy, a Formation znalazło tego jak dotąd najbardziej zaawansowane wyrażenie.

Formation Flex to podłączony do sieci, bezprzewodowy głośnik aktywny, który zapewnia wyjątkowo wysoką wydajność odtwarzania strumieni audio Formation. Formation Flex jest przede wszystkim przeznaczony do konfigurowania i kontrolowania za pomocą aplikacji Bowers & Wilkins Home. Aplikacja jest dostępna zarówno na urządzenia z systemem iOS, jak i Android. Niektóre, często używane funkcje sterowania są również dostępne za pomocą przycisków na panelu przednim Formation Flex. Instalacja i konfiguracja Formation Flex jest możliwa tylko przy użyciu aplikacji Bowers & Wilkins Home.

Formation Flex umożliwia:

- Słuchanie muzyki z serwisów streamingowych takich jak Spotify, Apple Music i Roon.
- Słuchanie plików audio zapisanych w sieci.
- Słuchanie dźwięku przez Bluetooth z odpowiednio włączonych urządzeń źródłowych Bluetooth.
- Słuchanie muzyki z urządzeń takich jak gramofony (poprzez phono preamp) i odtwarzacze CD podłączone do Bowers & Wilkins Formation Audio.
- Słuchanie audio, takiego jak radio internetowe, z usług i aplikacji zgodnych z Airplay lub Bluetooth.
- Słuchanie dźwięku odtwarzanego w dowolnym miejscu w domu na dowolnym urządzeniu Formation podłączonym do sieci domowej.

Aplikacja Bowers & Wilkins Home jest wymagana do podłączenia Formation Flex do sieci domowej, a także do nawiązania połączenia z innymi produktami Formation w domu. Aplikacja Bowers & Wilkins Home, zapewnia także pewne funkcje sterowania i konfiguracji podczas użytkowania. Przed rozpoczęciem instalacji Formation Flex pobierz i zainstaluj aplikację Bowers & Wilkins Home na urządzeniu z systemem iOS lub Android. Aplikacja Bowers & Wilkins Home wymaga systemu iOS w wersji 11.4 (lub nowszej) lub Androida w wersji 8.1 (lub nowszej). Usługi Bluetooth i Wi-Fi muszą być włączone na urządzeniu z systemem iOS lub Android. Musisz także znać hasło do sieci Wi-Fi.

*Uwaga: Usługi lokalizacyjne muszą być włączone na urządzeniach z Androidem podczas procesu konfiguracji Formation. Wynika to z faktu, że produkty Formation używają technologii Bluetooth o niskiej mocy (BT-LE) do komunikacji serwisowej, która na urządzeniach z Androidem jest włączana tylko wtedy, gdy włączone są usługi lokalizacyjne. Bowers & Wilkins nie wykorzystuje żadnych danych usług lokalizacyjnych do celów marketingowych.*

## 1. Zawartość kartonu Formation Flex

Formation Flex  
Przewód zasilający  
Niniejsza instrukcja

## 2. Instalacja Formation Flex

Formation Flex może być używany w różnych sytuacjach - jako pojedynczy głośnik mono, jako kompaktowy zestaw stereo lub jako tylne głośniki surround kina domowego, systemu 5.1.

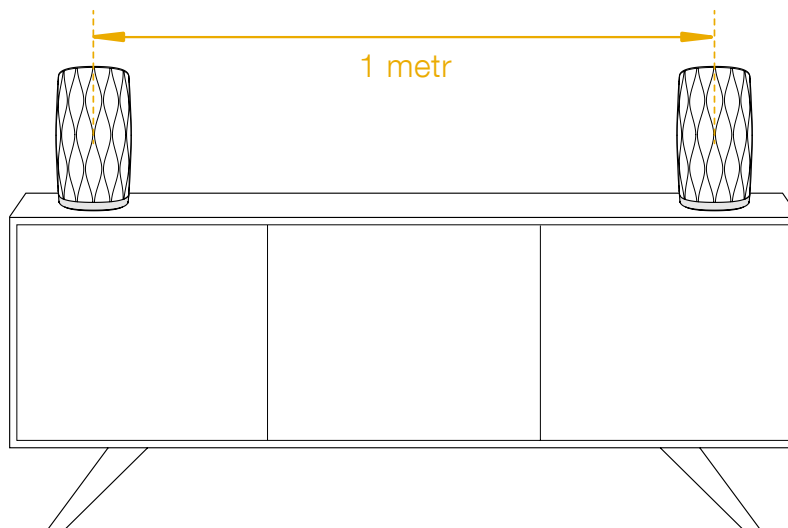
W przypadku użycia jako pary stereo, głośniki Formation Flex powinny znajdować się w odległości co najmniej 1 m od siebie i podobnej odległości od obszaru odsłuchu. Jeśli głośniki są umieszczone zbyt blisko siebie, odtwarzanie stereo może być pozbawione skali; jeśli są zbyt daleko od siebie, ostrość stereo może być słaba. Nie ma potrzeby ustawiania Formation Flex do wewnątrz w kierunku obszaru odsłuchu, jednak może to zacieśnić ustawienie stereo. Rysunek 1 ilustruje podstawowe ustawienie głośników.

W przypadku używania jako tylnych głośników w konfiguracji 5.1 kina domowego, Formation Flex powinny być ustawione pod kątem 120 stopni do przedniego głośnika centralnego, jak pokazano na Rysunku 2.

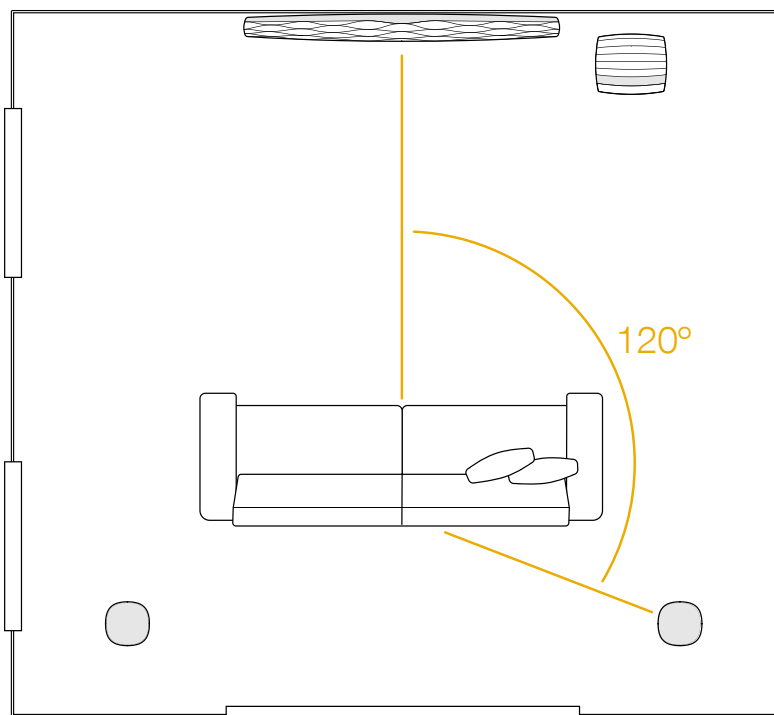
Głośnik Formation Flex wymaga zasilacza sieciowego do działania, dlatego musi znajdować się w pobliżu gniazdka sieciowego. Jeśli Formation Flex ma korzystać z przewodowego połączenia z siecią domową, musi znajdować się w zasięgu odpowiedniego kabla sieciowego (Ethernet).

Jeśli zdecydujesz się umieścić Formation Flex na półce, upewnij się, że półka z łatwością wytrzyma ciężar.

Podobnie jak większość głośników, Formation Flex emituje fale dźwiękowe nie tylko do przodu, ale także na boki i do tyłu. W związku z tym, jeśli Formation Flex znajduje się blisko granic pomieszczenia, a szczególnie w rogu, bas może zostać nadmiernie zaakcentowany. Jeśli okaże się, że poziom basu jest zbyt mocny, przeniesienie go do alternatywnej pozycji może przynieść korzystny efekt, jednak można również wyregulować poziom basów za pomocą menu Ustawienia aplikacji Bowers & Wilkins Home.



Rysunek 1  
Układ stereo



Rysunek 2  
Pozycjonowanie kina domowego


## Podłączanie

Oprócz gniazdka zasilania **1** Formation Flex posiada gniazdo Ethernet **2** do podłączenia do routera, jeśli preferowane jest przewodowe połączenie sieciowe zamiast bezprzewodowego (Wi-Fi).

*Uwaga: Gniazdo USB umiejscowione na tylnym panelu Formation Flex przeznaczone jest tylko i wyłącznie do obsługi serwisowej i diagnostyki. Nie da się z niego korzystać w innych celach.*

## Włącznik/Wyłącznik

Gdy wykonasz wszystkie połączenia, i masz zainstalowaną aplikację Bowers & Wilkins Home na urządzeniu mobilnym, możesz przystąpić do ustawienia i korzystania z Formation Flex. Twój zestaw Formation Flex nie ma wyłącznika zasilania sieciowego i po krótkim rozruchu zacznie działać, gdy tylko zostanie podłączony do zasilania sieciowego. Po zakończeniu procedury uruchamiania odtworzy monit dźwiękowy.

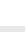
Gdy Formation Flex, które nie były jeszcze używane, zostaną włączone poraz pierwszy, przejdą automatycznie w tryb konfiguracji, aby umożliwić ich połączenie z siecią domową i innymi dostępnymi urządzeniami Formation. Tryb konfiguracji jest wskazywany przez powolne pulsowanie podświetlenia przycisku Form  w kolorze bursztynowym. Formation Flex pojawia się również w aplikacji Bowers & Wilkins Home jako dostępne do konfiguracji, na stronie początkowej aplikacji lub po wybraniu „Dodaj produkt Formation” w ustawieniach aplikacji.

Głośniki Formation Flex w pełni automatycznie zarządzają swoim stanem pracy i zużyciem energii, dlatego po dwudziestu minutach bezczynności przejdą w tryb oszczędzania energii. Nie ma potrzeby wyłączania Formation Flex, jednak jeśli chcesz, po prostu odłącz je od gniazda sieciowego. Formation Flex zachowują swoje ustawienia nawet jeśli zostaną odłączone od zasilania sieciowego.

Możesz ponownie uruchomić Formation Flex, naciskając krótko i zwalniając przycisk resetowania znajdujący się na tylnym panelu **3**. Naciśnięcie przycisku spowoduje wyłączenie i ponowne włączenie Formation Flex. Wszystkie ustawienia zostaną zachowane po ponownym uruchomieniu Formation Flex. Możesz także to zrobić w ustawieniach aplikacji Bowers & Wilkins Home.


Jeśli chcesz zresetować Formation Flex do ustawień domyślnych, naciśnij i przytrzymaj przycisk resetowania przez pięć sekund. Po ponownym uruchomieniu Formation Flex przejdzie w tryb konfiguracji. Po resecie, wszystkie ustawienia zostaną usunięte. Możesz także to zrobić za pomocą menu Ustawienia aplikacji Bowers & Wilkins Home.

## Ustawienia Sieci

- Gdy Formation Flex jest w trybie konfiguracji, a podświetlenie przycisku Form  pulsuje powoli na pomarańczowo, uruchom aplikację Bowers&Wilkins Home na urządzeniu z systemem iOS lub Android. Aplikacja przeprowadzi Cię przez proces instalacji.

*Uwaga: Formation Flex wykorzystuje połączenie Bluetooth z urządzeniem z uruchomioną aplikacją Bowers & Wilkins Home podczas procesu konfiguracji. Sygnały Bluetooth mają stosunkowo krótki zasięg i mogą być przerywane przez granice pomieszczeń, dlatego zalecamy, aby urządzenie Formation Flex oraz aplikacja Bowers & Wilkins Home pozostały blisko siebie podczas procesu konfiguracji.*

- Aplikacja Bowers & Wilkins Home najpierw wyszuka produktów Formation w trybie konfiguracji i wyświetli ekran zapraszający do wyboru jednego. Kliknij Formation Flex, aby je wybrać. Jeśli masz już skonfigurowany produkt Formation i dodajesz dodatkowy, wybierz „Add Formation product” (Dodaj produkt Formation) z menu Ustawienia aplikacji.

- Następnie aplikacja Bowers & Wilkins Home zaprosi Cię do nazwania „space” (pokoju), w którym ma być używany Formation Flex. Podana jest lista domyślnych nazw pokoi, ale możesz także utworzyć własną. Po wybraniu lub utworzeniu nazwy pokoju aplikacja poprosi o dotknięcie przycisku Form  na przednim panelu Formation Flex w celu potwierdzenia wyboru.

- Jeśli ma być używane połączenie Formation Flex z siecią bezprzewodową, następnym etapem konfiguracji będzie połączenie Formation Flex z domową siecią Wi-Fi. Aplikacja poprosi o potwierdzenie poprawnej sieci Wi-Fi i poprosi o podanie hasła. Alternatywnie, jeśli Formation Flex jest podłączona do routera sieciowego za pomocą kabla Ethernet, ten etap procesu konfiguracji zostanie pominięty.

*Uwaga: Jeśli masz już inne produkty Formation podłączone do sieci Wi-Fi, konfiguracja Formation Flex nie będzie wymagać wprowadzenia hasła Wi-Fi.*

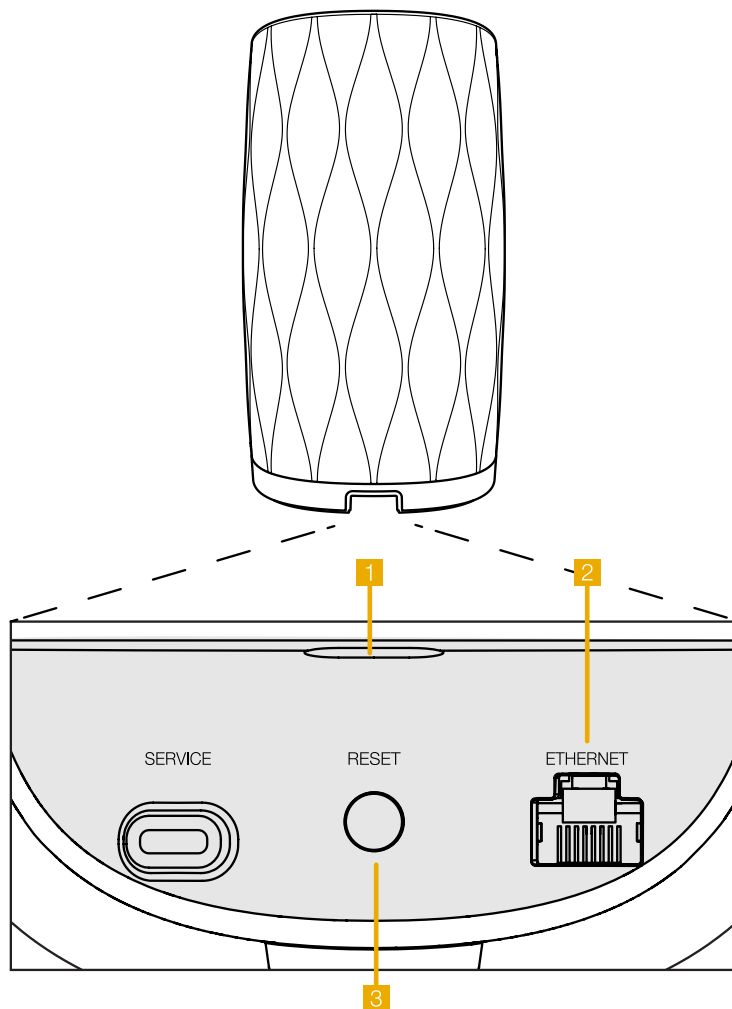
- Po skonfigurowaniu sieci Wi-Fi i zakończeniu wyboru miejsca Formation Flex jest gotowy do użycia. Formation Flex odtworzy dźwiękowy monit potwierdzający pomyślną konfigurację.

## Ustawienia Bluetooth

Możesz podłączyć Formation Flex do urządzenia źródłowego obsługującego technologię Bluetooth, takiego jak smartfon, aby odtwarzać dźwięk przez Bluetooth. Musisz najpierw „sparować” Formation Flex ze źródłowym urządzeniem Bluetooth.

Po zakończeniu konfiguracji sieci Formation Flex otwórz stronę Ustawienia aplikacji Bowers & Wilkins Home i wybierz pokój (space), z którym chcesz sparować urządzenie Bluetooth. Następnie wybierz „+ Pair a new device” z menu Bluetooth i postępuj zgodnie z instrukcjami aplikacji, aby zakończyć parowanie. Po zakończeniu parowania Formation Flex odtworzy monit dźwiękowy, a pokój zostanie udostępniony sparowanemu urządzeniu Bluetooth do odtwarzania dźwięku.

*Uwaga: Można sparować do ośmiu urządzeń Bluetooth z każdym pokojem Formation jednocześnie, jednak urządzenia nie będą się łączyć i odtwarzać automatycznie ze sparowanymi pokojami.*



Rysunek 3  
Panel połączeniowy Formation Flex

### 3. Użytkowanie Formation Flex

#### Podstawy

Możesz używać Formation Flex do odtwarzania dźwięku z usług przesyłania strumieniowego, takich jak Spotify, Apple Music i Tidal, z usługi biblioteki muzycznej Roon i radia internetowego za pośrednictwem odpowiedniej aplikacji. Jeśli masz dodatkowe urządzenia Formation podłączone do sieci, na przykład Formation Audio, podłączone do niej konwencjonalne źródła audio będą również dostępne za pośrednictwem Formation Flex.

#### Spaces (Pokoje)

Spaces (pokoje) są kluczową koncepcją produktów z rodziny Formation. Formation space to pokój lub określona przestrzeń w Twoim domu, w której słuchasz muzyki. Każdy pokój może zawierać różne kombinacje produktów Formation. Możliwe konfiguracje są pokazane na rysunku 4.

#### Odtwarzanie

Aplikacja Bowers & Wilkins umożliwia wybieranie odtwarzania z jakiegokolwiek źródła audio. Jednakże, tak jak każde konwencjonalne źródło, wymaga zainicjowania poprzez odpowiednie komendy. Strumieniowanie poprzez Formation musi być zainicjowane poprzez odpowiednią aplikację, np. Spotify lub bibliotekę muzyczną taką jak Roon. Każda taka aplikacja wyświetli listę dostępnych urządzeń z serii Formation wraz z przypisanymi pokojami do odtwarzania z użyciem Airplay, Bluetooth lub w przypadku Spotify, Spotify Connect.

Po odtworzeniu strumienia audio w sieci Formation można je wybrać za pomocą aplikacji Bowers & Wilkins Home lub przycisku dotykowego *Form* na panelu przednim Formation Flex. Dotknięcie przycisku *Form* spowoduje przełączanie dostępnych strumieni i źródeł.

#### Sterowanie za pomocą przycisków przedniego panelu

Twój Formation Flex posiada dotykowe przyciski na przednim panelu które umożliwiają wznowienie/odtworzenie dźwięku, regulację głośności oraz wybór źródła odtwarzania.

- Dotykając przycisku Play/Pause ►|| możesz wstrzymać i wznowić odtwarzanie.

*Uwaga: Play/Pause działa tylko wtedy, gdy źródło strumienia posiada funkcje odtwarzania i pauzy, do których można uzyskać dostęp przez Bluetooth lub połączenia sieciowe.*

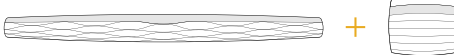
- Dotknięcie przycisku głośności w górę + lub w dół — dostosuje głośność lokalną dowolnego strumienia sieciowego lub źródła lokalnego. Naciśnięcie i przytrzymanie przycisków + i — spowoduje ciągłe zwiększanie lub zmniejszanie głośności.
- Dotknięcie przycisku *Form* spowoduje cykliczne przełączanie i odtwarzanie aktywnych strumieni i źródeł dostępnych dla Formation Flex.

#### Konfiguracje pokoju TV

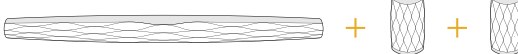
Formation Bar (3.0)



Formation Bar + Formation Bass (3.1)



Formation Bar + Formation Flex (5.0)



Formation Bar + Formation Bass + Formation Flex (5.1)



#### Konfiguracje pokoju Muzycznego

Formation Audio



Formation Wedge



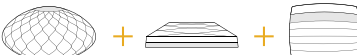
Formation Wedge + Formation Audio



Formation Wedge + Formation Bass



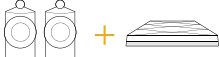
Formation Wedge + Formation Audio + Formation Bass



Formation Duo



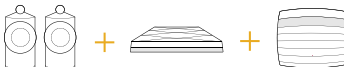
Formation Duo + Formation Audio



Formation Duo + Formation Bass



Formation Duo + Formation Audio + Formation Bass



Formation Flex



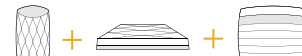
Formation Flex + Formation Audio



Formation Flex + Formation Bass



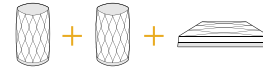
Formation Flex + Formation Audio + Formation Bass



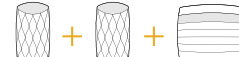
Formation Flex (stereo pair)



Formation Flex (stereo pair) + Formation Audio



Formation Flex (stereo pair) + Formation Bass



Formation Flex (stereo pair) + Formation Audio + Formation Bass



Rysunek 4  
Konfiguracje pokoju

## Podświetlenie przycisku Form

Podświetlenie przycisku *Form Formation Flex* zmienia się, wskazując różne stany operacyjne. Iluminację pokazano na Rysunku 5.

## 4. Aplikacja Bowers & Wilkins Home

Po skonfigurowaniu *Formtion Audio* i podłączeniu go do sieci, aplikacja *Bowers & Wilkins Home* otworzy ekran główny, na którym będą widoczne wszelkie dostępne pokoje (*spaces*) *Formation*.

Wybierz dowolny pokój, dostępny strumień lub wejście, klikając na nie. Jeśli nie ma dostępnych strumieni, otwórz aplikację do przesyłania strumieniowego, na przykład *Spotify* i wybierz pozycję do odtworzenia, a następnie wybierz pokój *Formation* z listy dostępnych urządzeń odtwarzających. Teraz, gdy wrócisz do aplikacji *Bowers & Wilkins Home*, strumień *Spotify* zostanie wyświetlony na stronie *pokoi Formation Flex*.

Ikona *Ustawień* znajduje się w prawym górnym rogu strony głównej aplikacji *Bowers & Wilkins Home*. Kliknij ikonę, aby otworzyć menu *Ustawienia* aplikacji. Menu *Ustawienia* zawiera opcje konfiguracji i resetowania urządzeń *Formation* oraz zmiany nazw pokoi *Formation*. Aktualizacje oprogramowania urządzeń oraz aplikacji są również inicjowane z menu *Ustawień*.

## Poruszanie się po aplikacji Bowers & Wilkins Home

Po otwarciu aplikacji *Bowers & Wilkins Home* wyszuka ona dostępne pokoje *Formation*, a następnie wyświetli stronę główną z listą dostępnych pokoi.

Pod każdym pokojem aplikacja wyświetli swoją bieżącą aktywność. Kliknięcie w aktywny pokój otworzy zakładkę „*now playing*” (teraz odtwarzane), która umożliwia sterowanie głośnością oraz odtwarzaniem i pauzą.

Zakładka „*now playing*” (teraz odtwarzane) udostępni również opcję „*Available Spaces*” (Dostępne pokoje), która umożliwia przeniesienie strumienia odtwarzanego w wybranym pokoju do innego lub odtwarzanie w wielu pokojach jednocześnie. Zakładka „*Dostępne pokoje*” umożliwi także kontrolowanie głośności, zarówno globalnie we wszystkich, jak i w poszczególnych pokojach.

Ustawienia aplikacji *Bowers & Wilkins Home* otwiera się poprzez kliknięcie ikony ustawień. Menu ustawień początkowych zawiera listę pokoi oraz liczbę urządzeń *Formation* w nich obecnych.

Kliknięcie *pokoju* wymienionego w menu *Ustawień* zapewnia dostęp do ustawień *pokoju* i urządzeń *Formation*. Kliknij nazwę pokoju lub urządzenia, aby uzyskać dostęp do ich ustawień. W zależności od danego urządzenia, dostępne będą różne ustawienia.

*Uwaga: Jeśli ikona Ustawień w aplikacji Bowers & Wilkins Home wyświetla żółtą kropkę, oznacza to, że jest dostępna aktualizacja oprogramowania Formation. Proces aktualizacji oprogramowania jest inicjowany z menu Ustawień. Zawsze staraj się aktualizować aplikację Bowers & Wilkins Home oraz oprogramowania urządzeń Formation do najnowszej wersji. Pomoże to nie tylko zapewnić najbardziej niezawodną wydajność, ale także umożliwi Ci dostęp do korzystania z nowych funkcji.*

## 5. Źródła i strumienie muzyczne Formation

### Korzystanie ze Spotify

Używaj telefonu, tabletu lub komputera jako pilota do *Spotify*. Przejdź do [spotify.com/connect](https://www.spotify.com/connect), aby dowiedzieć się, jak to zrobić.

Oprogramowanie *Spotify* podlega licencjom stron trzecich, które można znaleźć tutaj: <https://www.spotify.com/connect/third-party-licenses>.

### Korzystanie z Airplay

*Airplay* umożliwia aplikacjom audio na urządzeniach mobilnych, laptopach lub komputerach *Apple* przesyłanie strumieniowe materiałów przez sieć do urządzeń zgodnych z *Airplay*, takich jak *Formation Flex*. Aplikacje obsługujące *Airplay* wyświetlają ikonę *Airplay*.

Aby korzystać z *Airplay*, otwórz aplikację audio, z której chcesz korzystać i wybierz muzykę, którą chcesz odtworzyć. Kliknij ikonę *Airplay*, aby wyświetlić listę dostępnych urządzeń, a następnie pokój *Formation*, którego chcesz użyć.

*Uwaga: Możliwe jest strumieniowe przesyłanie dźwięku przez Airplay na wielu urządzeniach jednocześnie, jednak jakość odtwarzania i synchronizacja może wówczas zależeć od możliwości sieci domowej. Jeśli chcesz odtwarzać materiał jednocześnie w więcej niż jednym pokoju Formation, synchronizację można znacznie poprawić, wybierając wiele pokoi w aplikacji Bowers & Wilkins Home.*

### Korzystanie z Roon

*Roon* to bogata w funkcje biblioteka muzyczna i aplikacja do odtwarzania, która kompiluje wszystkie pliki muzyczne dostępne w sieci i sprawia, że są one łatwo dostępne do odtwarzania we wszystkich pokojach *Formation* i innych urządzeniach audio z obsługą *Roon*. *Roon* jest dostępny dla urządzeń mobilnych, laptopów lub komputerów stacjonarnych.

Po uruchomieniu aplikacji *Roon*, wyświetli ona całą bibliotekę audio wraz z metadanymi i grafiką oraz ze wszystkimi pokojami *Formation* i innymi dostępnymi sieciowymi urządzeniami audio. Po prostu wybierz muzykę, którą chcesz odtworzyć, i pokój *Formation*, w którym chcesz ją usłyszeć.

*Uwaga: Możliwe jest przesyłanie strumieniowe audio z Roon jednocześnie na wiele urządzeń, jednak jakość odtwarzania i synchronizacja mogą wówczas zależeć od możliwości sieci domowej. Jeśli chcesz odtwarzać materiał jednocześnie w więcej niż jednym pokoju Formation, synchronizację można znacznie poprawić, wybierając wiele pokoi w aplikacji Bowers & Wilkins Home.*

### Korzystanie z Bluetooth

*Bluetooth* umożliwia aplikacjom audio na urządzeniach mobilnych, laptopach lub komputerach stacjonarnych strumieniowanie treści poprzez połączenie bezprzewodowe do urządzeń kompatybilnych, do których należy urządzenie *Formation Flex*.

Aby korzystać z *Bluetooth*, upewnij się, że w menu ustawień *Bluetooth* urządzenia wybrany jest wymagany pokój *Formation*, otwórz aplikację audio, z której chcesz korzystać i wybierz muzykę, którą chcesz odtworzyć. Kliknij ikonę urządzeń odtwarzających, aby wyświetlić listę dostępnych, a następnie pokój *Formation*, którego chcesz użyć.

## 6. Czyszczenie

Jeśli urządzenie wymaga czyszczenia, możesz przetrzeć jego górną powierzchnię czystą, niestrzępiącą się ściereczką i wycisnąć kratkę miękką szcottoką. Jeśli chcesz użyć płynu czyszczącego, nałóż go na ściereczkę czyszczącą, a nie bezpośrednio na urządzenie. Najpierw przetestuj mały obszar, ponieważ niektóre środki czyszczące mogą uszkodzić powierzchnie. Unikaj produktów o właściwościach ściernych lub zawierających kwas, zasady lub środki antybakteryjne.

## 7. Pomoc techniczna

Jeśli potrzebujesz dalszej pomocy lub porady dotyczącej *Formation Flex*, odwiedź witrynę pomocy technicznej na [www.bowerswilkins.com/support](http://www.bowerswilkins.com/support).

### Informacje o środowisku

Ten produkt jest zgodny z międzynarodowymi dyrektywami, w tym między innymi ograniczeniem substancji niebezpiecznych (RoHS) w sprzęcie elektrycznym i elektronicznym, rejestracją, oceną, autoryzacją i ograniczeniami chemikaliów (REACH) oraz utylizacją zużytego sprzętu elektrycznego i elektronicznego (WEEE). Skonsultuj się z lokalnymi władzami zajmującymi się utylizacją odpadów, aby uzyskać wskazówki dotyczące właściwego recyklingu lub utylizacji tego produktu.

Wskaźnik	Działanie
Miganie na biało	Uruchomienie w toku
Pulsowanie na żółto	Gotowy do konfiguracji
Miganie na żółto	Trwa aktualizacja oprogramowania
Pulsowanie na biało	Trwa wczytywanie dźwięku
Pulsowanie na czerwono	Błąd – skontaktuj się z pomocą techniczną
Świecenie na czerwono	Błąd – skontaktuj się z pomocą techniczną
Miganie na czerwono	Trwa przywracanie ustawień fabrycznych

Rysunek 5  
Iluminacje przycisku *Form*

## Bowers & Wilkins Formation Flex ya hoşgeldiniz.

Formation ürününü tercih ettiğiniz için teşekkürler. John Bowers, Bowers & Wilkins'i ilk kurduğu zaman ki düşünceleri olan, yenilikçi mühendislik ve ileri teknoloji, evde edinilen mutluluğun temelini oluşturdu. Bu inanç ürettiğimiz tüm ürünlerin ilham kaynağı olup en etkin şekilde Formation ürünlerinde ifade bulmuştur.

Formation Flex, Formation ses akışlarının son derece yüksek performansa sahip olmasını sağlayan ağa bağlı, kablolu bir aktif hoparlördür. Formation Flex öncelikle Bowers & Wilkins Home uygulaması kullanılarak yapılandırılması ve kontrol edilmesi amaçlanmıştır. Uygulama, hem iOS hem de Android cihazlar için kullanılabilir. Yaygın olarak kullanılan bazı kontrol fonksiyonlarına, aynı zamanda Formation Flex ön panelindeki düğmelerden de erişilebilir. Formation Sesini yalnızca Bowers & Wilkins Home uygulamasını kullanarak kurmak ve yapılandırmak mümkündür.

Formation Flex nun size sağladıkları:

- Spotify, Apple Music ve Roon gibi akış servislerinden gelen sesleri dinleyin.
- Ağda depolanmış ses dosyalarını dinleyin.
- Uygun şekilde etkinleştirilmiş Bluetooth kaynak cihazlarından Bluetooth üzerinden ses dinleyin.
- Pikap (fono preamp aracılığıyla) ve bir Bowers & Wilkins Formation Audio cihazına bağlı CD çalarlar gibi cihazlardan gelen sesleri dinleyin.
- Airplay veya Bluetooth uyumlu servislerden ve uygulamalardan İnternet Radyosu gibi sesleri dinleyin.
- Ev ağınıza bağlı herhangi bir Formation cihazında, evinizde herhangi bir yerde çalınan sesleri dinleyin.

Bowers & Wilkins Home uygulaması, Formation Flex nuzu ev ağınıza bağlamak ve ayrıca evdeki diğer Formation ile bağlantı kurmak için gereklidir. Bowers & Wilkins Home uygulaması ve kullanım sırasında bazı kontrol ve konfigürasyon fonksiyonları da sağlar. Formasyon Ses kurulumunuza başlamadan önce, lütfen Bowers & Wilkins Home uygulamasını iOS veya Android cihazınıza indirin ve kurun. Bowers & Wilkins Home uygulaması, iOS V11.4 veya üstü ya da Android V8.1 veya üstü gerektirir. İOS veya Android cihazınızda Bluetooth ve WiFi servisleri etkinleştirilmiş olmalıdır. WiFi ağ şifrenizi de bilmeniz gerekir.

*Not: Konum Servisleri, kurulum işlemi sırasında Android cihazlarda etkinleştirilmelidir. Bunun sebebi, Formasyon ürünlerinin, Android cihazlarında yalnızca Konum Servisleri etkinleştirildiğinde açık olan servis iletişimi için düşük güçte bir Bluetooth (BT-LE) formu kullanmasıdır. Bowers & Wilkins, herhangi bir yer hizmeti verisini pazarlama amacıyla kullanmamaktadır.*

## 1. Formation Flex kutu içeriği

Formation Flex  
Elektrik  
Kitapçıklar

## 2. Formation Flex kurulum

Formation Flex, çeşitli durumlarda kullanılabilir - tek bir mono hoparlör, bir kompakt stereo çift veya bir 5.1 ev sineması kurulumunda arka surround hoparlörler olarak kullanılabilir

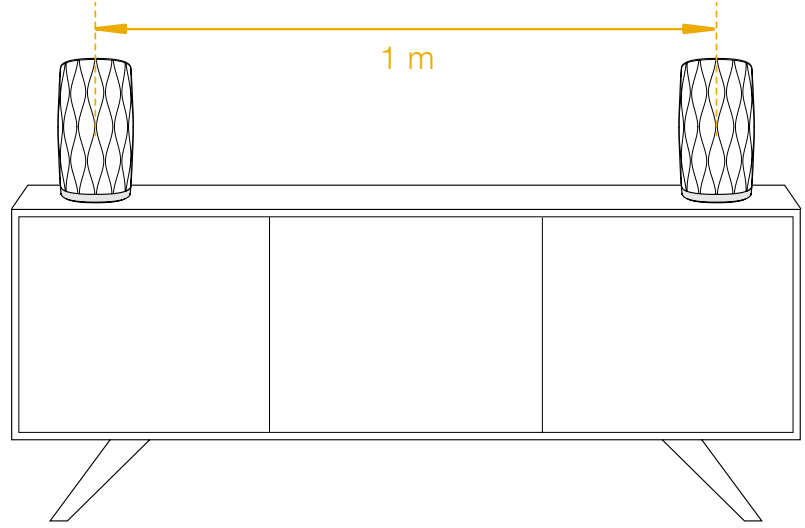
Stereo çift olarak kullanıldığında, Formation Flex'iniz en az 1 m (3 ft) ayrı ve dinleme alanından benzer bir mesafede olmalıdır. Hoparlörler birbirine çok yakın yerleştirilmişse, stereo reproduksiyon ölçeksiz olabilir; çok uzaklardalarsa, stereo odak zayıf olabilir. Formasyon Flex'inizi dinleme alanına doğru içe doğru açmaya gerek yoktur, ancak bunu yapmak stereo odağı daraltabilir. Diyagram 1, temel hoparlör konumlandırmasını gösterir.

5.1 ev sinema sistemi yapılandırmasında arka hoparlörler olarak kullanıldığında, Formation Flex'iniz, Diyagram 2'de gösterildiği gibi, ön orta hoparlörden mümkün olduğunca 120 derece kadar yerleştirilmelidir.

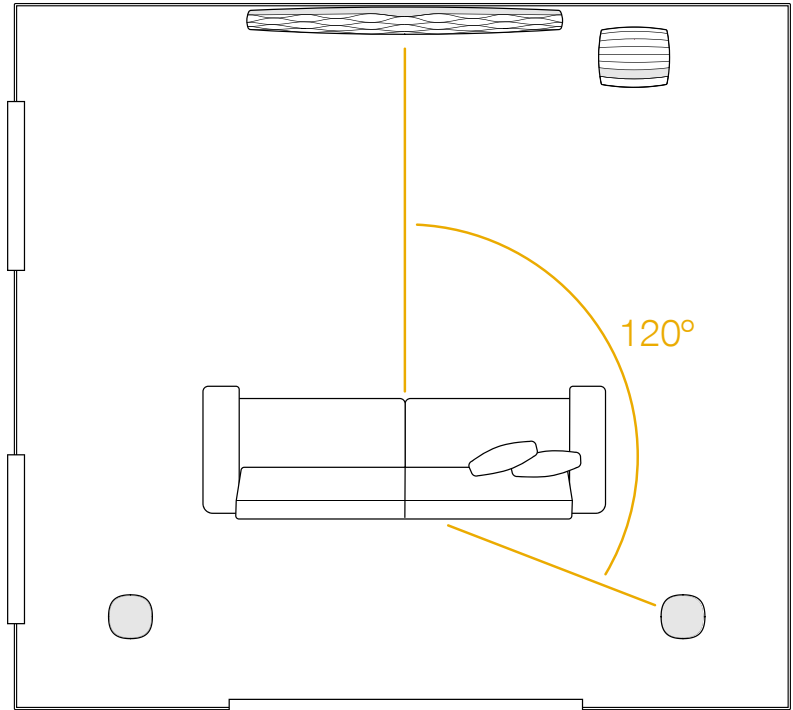
Formasyon Flex'iniz çalışması için bir şebeke elektriği gerektirir, bu nedenle bir şebeke prizine yakın bir yerde bulunmalıdır. Formasyon Flex'iniz ev ağınıza kablolu bir bağlantı kullanıyorsa, uygun bir ağ ethernet kablosunun yakınında bulunmalıdır.

Formation Flex inizi rafa koyarsanız, bu rafın Cihazın ağırlığını kaldırabileceğinden emin olun.

Hoparlörlerin büyük bir çoğunluğu gibi, Formation Flex yalnızca öne değil, arka ve yanlara doğru da ses üretir. Sonuç olarak, eğer Formation Flex Odanın duvarlarına yakın konumlanır ise Bass sesleri daha yoğun çıkacaktır.



Diyagram 1  
Stereo konum



Diyagram 2  
Ev sineması konumu

## Bağlantılar

Elektrik soketine ilave olarak **1** Formation Flex inize mevcut Ağ bağlantısı ile **2** Evdeki ağa Wifi dışında kablolu bağlantı Yapmak mümkündür.

*Not: Formation Flex arka panelinde bulunan USB soketi, sadece servis ve tanı amaçlı kullanım içindir. Başka hiçbir amaç için kullanılamaz.*

## Açma kapama

Yapılan tüm bağlantılar ve mobil cihazınıza yüklenmiş Bowers & Wilkins Home uygulamasıyla, Formation Flex kurulmaya ve kullanılmaya hazırdır. Formation Flex'nuzun ana güç anahtarı yoktur ve kısa bir başlatma rutini sonrasında, ana güç kaynağına bağlanır bağlanmaz çalışacaktır. Başlatma rutini tamamlandığında bir ses istemi çalacaktır.

Daha önce açılmamış olan Formation Flex ilk açıldığında, şebekeye ve daha önce kurulmuş olan Diğer Formation ürünlerine bağlanmak için Otomatik olarak kurulum moduna geçer. kurulum modunda cihazda bulunan Form butonu Kehribar rengi yanıp dönmeye başlar **3**. Formation Flex aynı zamanda Bowers & Wilkins Home app de kurulum için hazır hale Gelir veya ayar sayfasında yeni Formation Cihaz ekle olarak kurulumu hazır olur.

Formation Flex'nuz işletim durumlarını ve güç tüketimini tamamen otomatik olarak yönetir ve yirmi dakikalık hareketsizlikten sonra güç tasarrufu moduna geçer. Formasyon Duo'nuzu kapatmanıza hiç gerek yoktur, ancak bunu yapmak isterseniz, onları ana güç kaynağından ayırmanız yeterlidir. Formation Flex'nuz ayarlarını şebeke elektriği olmadan koruyacaktır.

Bir Formation Flex hoparlörü arka panelinde bulunan sıfırlama düğmesine kısa bir süre basarak yeniden başlatabilirsiniz **3**. Bu düğmeye basmak, cihazı kapatıp tekrar açacaktır. Cihaz yeniden başlatıldığında tüm ayarlar korunur. Ayrıca, Ses Oluşumunuzu Bowers & Wilkins Home uygulaması Ayarlar sayfasından yeniden başlatabilirsiniz.

Formation Flex'nuzu varsayılan ayarlarına sıfırlamak istiyorsanız, sıfırlama düğmesini beş saniye basılı tutun. Yeniden başlattığınızda, Formation Flex kurulum moduna girecektir. cihaz sıfırlandığında tüm ayarlar silinecektir. Ayrıca, cihazınızı Bowers & Wilkins Home uygulaması Ayarlar menüsünden de sıfırlayabilirsiniz.

## Ağ Ayarı

- Formation Flex kurulum modunda iken, Form düğmesi **3** turuncu yanıp sönerken, IOS ve android cihazınızda Bowers & Wilkins Home app i açin. Ayar için app size yönlendirecek.

*Not: Formation Flex, kurulum işlemi sırasında Bowers & Wilkins Home uygulamasını çalıştıran cihaza Bluetooth bağlantısı kullanır. Bluetooth sinyalleri nispeten kısa bir menzile sahip ve oda sınırları tarafından kesilebilir, bu nedenle Kurulum İşlemi ve Bowers & Wilkins Home uygulaması cihazınızın kurulum işlemi sırasında yakın durmasını öneririz.*

- Bowers & Wilkins Home uygulaması, ilk önce kurulum modunda Formation ürünlerini arayacak ve birini seçmeye davet eden bir ekran görüntüleyecektir. Ürün seçmek için dokununuz. Daha önce bir Formation ürünü kurduysanız ve ek bir ürün ekliyorsanız, uygulama Ayarları menüsünden ürünü ekle 'seçeneğini seçin.

- Bowers & Wilkins Home uygulaması daha sonra sizi Formation Flex'nuzun kullanılacağı "alanı" adlandırmaya davet edecektir. Listedene de seçebilir yada yeni isim verebilirsiniz. Seçimi yaptıktan sonra cihazın üzerindeki Form butonuna **3** basarak işlemi onaylayın.

- Formation Flex için kablolu bir ağ bağlantısı kullanılacaksa, bir sonraki kurulum aşaması, cihazı evdeki WiFi ağına bağlayacaktır. Uygulama, doğru WiFi ağını onaylamayı ve şifresini girmenizi isteyecektir. Alternatif olarak, Formation Flex ağ yönlendiricinize bir Ethernet kablosu kullanarak bağlınıza, kurulum işleminin bu aşaması atlanacaktır.

*Not: WiFi ağına bağlı başka Formation ürünleriniz varsa, Formation Flex kurulumunda WiFi şifresini girmeniz gerekmez.*

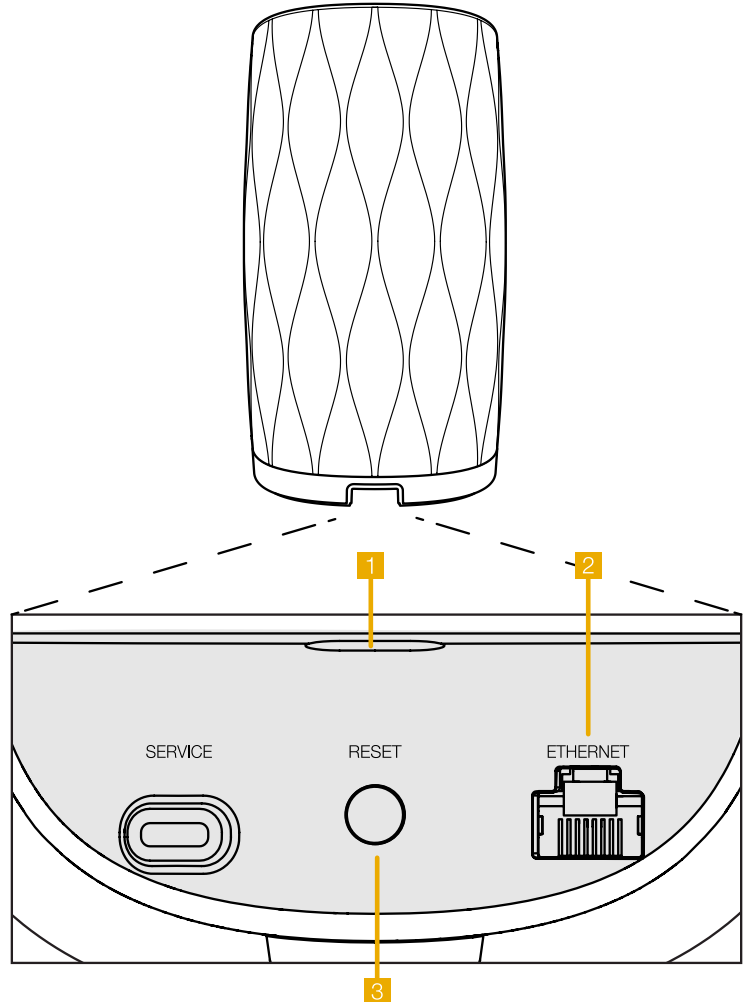
- WiFi ağ yapılandırması ve alan seçimi tamamlandıktan sonra, Formation Flex'nuz kullanıma hazırdır. Formation Flex, başarılı kurulumu onaylamak için bir sesli bildirim yapacaktır.

## Bluetooth Ayarı

Bluetooth üzerinden ses çalmak için Formation Flex'nuzu akıllı telefon gibi Bluetooth özellikli bir ses kaynağı cihazına bağlayabilirsiniz. Formation Flex'nuz önce Bluetooth ses kaynağı cihazıyla "eşleştirilmesi" gerekir.

Formation Flex ağ kurulumunu tamamladığınızda, Bowers & Wilkins Home app Settings sayfasını açin ve bir Bluetooth cihazını eşleştirmek istediğiniz Formation Alanını seçin. Daha sonra, Bluetooth menüsünden '+ Yeni bir cihaz eşleştir' i seçin ve eşleştirmeyi tamamlamak için uygulama talimatlarını izleyin. Formation Flex'nuz eşleştirme tamamlandığında bir sesli uyarı verecek ve cihaz ses çalma için eşleştirilmiş Bluetooth cihazına uygun hale gelmiş olacaktır.

*Not: Sekiz adede kadar Bluetooth cihazı eşzamanlı olarak her bir Formasyon alanıyla eşleştirilebilir, ancak cihazlar otomatik olarak eşlenen alanlara bağlanamaz ve çalmaz.*



Diyagram 3  
Formation Flex bağlantı paneli

### 3. Formation Flex Kullanımı

#### Temeller

TV'nizden, Spotify Apple Music ve Tidal gibi akış servislerinden, Roon müzik kütüphanesi servisinden ve internet radyodan uygun bir iRadio uygulaması aracılığıyla ses çalmak için Formation Flex'nuzda kullanabilirsiniz. Ağınıza bağlı başka Formation aygıtlarınız varsa, örneğin bir Formation Audio, buna bağlı olan geleneksel ses kaynaklarına da Formation Flex'nuzdan erişebilirsiniz.

#### Alanlar

Alanlar, Formation ürün ailesinin temel bir konseptidir. Bir Formation "mekan", evinizde müzik dinleyebileceğiniz bir oda veya belirli bir alandır. Her alan farklı formation ürünlerinin kombinasyonlarını içerebilir. Olası yapılandırmalar Şema 4'de gösterilmektedir.

#### Müzik Çalmak

Bowers & Wilkins Home uygulaması mevcut herhangi bir ses kaynağını veya akışı seçmenize ve çalmanıza izin verir. Ancak, geleneksel ses kaynağı çalma işleminin aynı şekilde başlatılmasını gerektirdiği şekilde bir çalma komutu gereklidir, Formation yayınları gateway app üzerinden yönlendirilmelidir (spotify gib veya Roon library app gibi) bu türdeki her app müzik aktarabileceğiniz mevcut müsait Formation cihazları listeleyecektir. aynı şey Airplay, Bluetooth ve Spotify connect için de geçerlidir.

Formation ağı üzerinde bir akış çalınırken Bowers & Wilkins Home App üzerinden veya Formation cihazının önündeki dokunmatik butondan seçilebilirler. Form butonuna basarak mevcut akış ve kaynaklar arasında seçim yapılır.

#### Formation Flex Üst Panel Kontroller Ve Işıklar

Formation Flex'inizin üst panelinde oynat / duraklat kontrolü, ses ayarı ve kaynak / akış seçimi sağlayan dokunmatik düğmeler bulunur.

- Çalma/durdurma ►|| butonuna dokunarak çalan şarkıyı durdurur ve devam etmesini sağlarsınız.

*Not: Bu buton sadece yayın olarak atılan müzik çalmakta ise yada network ve Bluetooth gibi çift taraflı haberleşilen kaynaklarda geçerlidir.*

- Ses +/- butonları ses kontrolü sağlar. Basılı tutulduğunda devamlı bir artış ve kısılma sağlar.
- Form butonu o anda mevcut kaynaklar arasında geçiş sağlar.

#### TV Alan seçenekleri

Formation Bar (3.0)



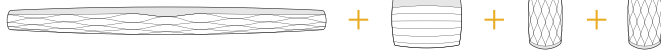
Formation Bar + Formation Bass (3.1)



Formation Bar + Formation Flex (5.0)



Formation Bar + Formation Bass + Formation Flex (5.1)



#### Müzik Alan seçenekleri

Formation Audio



Formation Wedge



Formation Wedge + Formation Audio



Formation Wedge + Formation Bass



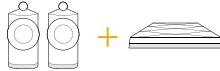
Formation Wedge + Formation Audio + Formation Bass



Formation Duo



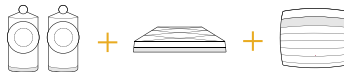
Formation Duo + Formation Audio



Formation Duo + Formation Bass



Formation Duo + Formation Audio + Formation Bass



Formation Flex



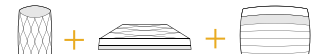
Formation Flex + Formation Audio



Formation Flex + Formation Bass



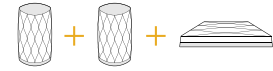
Formation Flex + Formation Audio + Formation Bass



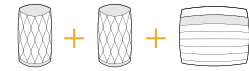
Formation Flex (stereo pair)



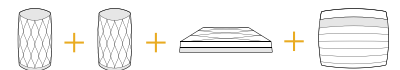
Formation Flex (stereo pair) + Formation Audio



Formation Flex (stereo pair) + Formation Bass



Formation Flex (stereo pair) + Formation Audio + Formation Bass



Şema 4  
Alan konfigürasyonları

## Form Buton karşılıkları

Formation Flex Form butonunu farklı renklerde yanarak cihazın durumu hakkında bilgi verir. Bakınız Şema 5.

## 4. Bowers & Wilkins Home Aplikasyonu

Formation Flex yapılandırılmış ve ağınıza bağlıyken, Bowers & Wilkins Home uygulaması, Formation Flex alanının ve diğer mevcut Formation alanlarının listeleneceği Ana ekranına açılacaktır.

Kullanılabilir herhangi bir akış veya giriş arasında seçim yapmak için bir Formation alanına dokununuz. Kullanılabilir akış yoksa, bir akış uygulaması açın, örneğin Spotify ve oynatılacak bir öge seçin, sonra mevcut oynatma cihazları listesinden Formation Alanı'nı seçin. Şimdi, Bowers & Wilkins Home uygulamasına geri döndüğünüzde, Spotify akışı Ses Oluşturma alanı sayfasında listelenecek.

Bowers & Wilkins Home uygulaması Ana sayfasının sağ üst köşesinde bir Ayarlar simgesi vardır. Uygulama Ayarları menüsünü açmak için simgeye dokununuz. Ayarlar menüsü, Formation cihazlarınızı yapılandırmak ve sıfırlamak ve Formasyonunuzu yeniden adlandırmak için seçenekler sunar. Yazılımı güncellemeleri, Ayarlar menüsünden de başlatılır.

## Bowers ve Wilkins Home App Etrafında kendi yolunu Bulma

Bowers & Wilkins Home uygulaması, açıldığında kullanılabilir Formasyon alanlarını arayacak ve daha sonra Ana sayfasını listelenen alanlarla birlikte görüntüleyecektir.

Her alanın altında uygulama mevcut etkinliğini gösterir. Aktif bir alana dokunmak ses seviyesini ve oynatma / duraklatma kontrolünü sağlayan "şu anda oynatılıyor" ekranını açar.

"Şimdi çalışıyor" ekranı aynı zamanda, seçilen alanda çalan akışın başka bir alana aktarılmasını veya birden fazla alanda oynatılmasını sağlayan "Kullanılabilir Alanlar" seçeneğini de sunar. "Kullanılabilir Alanlar" ekranı aynı zamanda tüm alanlarda veya bireysel alanlarda hacmi kontrol etme imkanı sunar.

Bowers & Wilkins Home uygulaması Ayarlar sayfası, ayarlar simgesine dokunarak açılır. İlk Ayarlar menüsü, her alanı ve her birinde bulunan Formation cihazlarının sayısını listeler.

Ayarlar menüsünde listelenen boşluğa dokunmak, alan ve Oluşum cihazı ayarlarına erişim sağlar. Alan ayarlarına erişmek için Boşluk adına ve cihaz ayarlarına erişmek için cihaz adına dokununuz. Mevcut cihaz ayarları, söz konusu cihaza bağlı olacaktır.

GÖSTERGE	DURUM
Beyaz çakar	Cihaz açılıyor
Sarı yanıp sönme	Ayara hazır
Sarı çakar	Güncelleme yapıyor
Beyaz yanıp sönme	Ses çekme devrede
Kırmızı yanıp sönme	Hata – Destek alın
Sabit kırmızı	Hata – Destek alın
Kırmızı çakar	Fabrika ayarlarına geri dönüyor

Şema 5  
Form butonu karşılıkları

*Not: Bowers & Wilkins Home uygulamasındaki Ayarlar simgesi sarı bir nokta gösteriyorsa, bu bir Ürün yazılımının üretici güncellemesinin mevcut olduğunu gösterir. Ürün yazılımı güncelleme işlemi Ayarlar menüsünden başlatılır. Daima Bowers & Wilkins Home uygulamasını ve Formaioon cihazlarınızı güncel tutmayı hedefleyin Bu sadece en güvenilir performans sağlamaya yardımcı olacaktır.*

## 5. Formasyon Müzik Akışları ve Kaynakları

### Spotify'ı kullanma

Spotify için telefonunuzu, tabletinizi veya bilgisayarınızı uzaktan kumanda olarak kullanın. Nasıl yapıldığını öğrenmek için [spotify.com/connect](https://www.spotify.com/connect) adresine gidin.

Spotify Yazılımı, burada bulunan üçüncü taraf lisanslarına tabidir: <https://www.spotify.com/connect/third-party-licenses>.

### Airplay'i Kullanma

Airplay, Apple mobil, dizüstü veya masaüstü cihazlarındaki ses uygulamalarının, bir ağ üzerinden Materyal Ses gibi Airplay uyumlu hoparlörlere malzeme akışı yapmasını sağlar. Airplay etkin uygulamalar, Airplay simgesini görüntüler.

Airplay'i kullanmak için kullanmak istediğiniz ses uygulamasını açın ve çalmak istediğiniz müziği seçin. Kullanmak istediğiniz Formasyon Alanı ve ardından mevcut cihazların bir listesini görüntülemek için Airplay simgesine dokununuz.

*Not: Aynı anda birden fazla cihazda Airplay üzerinden ses akışı sağlamak mümkündür, ancak oynatma kalitesi ve senkronizasyon o zaman ev ağına bağlıdır. Materyal birden fazla Formasyon alanında aynı anda oynatmak istiyorsanız, Bowers & Wilkins Home uygulaması aracılığıyla birçok alan seçilerek senkronizasyon büyük ölçüde geliştirilebilir.*

### Roon'u kullanma

Roon, ağınızdaki kullanılabilir tüm müzik dosyalarını derleyen ve tüm Oluşum Alanlarınızda ve diğer Roon özellikli ses cihazlarınızda kolayca çalmalarını sağlayan, zengin özelliklere sahip bir müzik kütüphanesi ve çalma uygulamasıdır. Roon mobil, dizüstü veya masaüstü cihazlarda kullanılabilir.

Roon'u açtığınızda, tüm ses kütüphanenizi meta veri ve çizimleri ile birlikte tüm Formation Alanları ve diğer mevcut ağ ses cihazlarıyla birlikte görüntüler. Çalmak istediğiniz müziği ve duymak istediğiniz oluşum alanını seçin.

*Not: Aynı anda birden fazla cihazda Roon'dan ses akışı yapmak mümkündür, ancak oynatma kalitesi ve senkronizasyon o zaman ev ağına bağlıdır. Materyal birden fazla Formasyon alanında aynı anda oynatmak istiyorsanız, Bowers & Wilkins Home uygulaması aracılığıyla birçok alan seçilerek senkronizasyon büyük ölçüde geliştirilebilir.*

## Bluetooth

Bluetooth, mobil, dizüstü bilgisayar veya masaüstü cihazlardaki ses uygulamalarının, Ses Oluşturma gibi uyumlu bir donanıma kablosuz bağlantı üzerinden malzeme aktarmasını sağlar.

Bluetooth'u kullanmak için, cihazınızın Bluetooth ayarları menüsünde gerekli Formasyon Alanının seçildiğinden emin olun, kullanmak istediğiniz ses uygulamasını açın ve çalmak istediğiniz müziği seçin. Mevcut olanların bir listesini ve ardından istediğiniz Formasyon Alanını görüntülemek için oynatma cihazları simgesine dokununuz.

## 6. Temizlik

Formation Flex'nuzun temizlenmesi gerekiyorsa, üst yüzeyini temiz, havsız bir bezle silin ve izgarasını yumuşak bir fırça ile fırçalayabilirsiniz. Herhangi bir temizleme sıvısı kullanmak istiyorsanız, doğrudan Formation Flex'ya değil temizlik bezine uygulayın. Bazı temizlik ürünleri bazı yüzeylere zarar verebileceğinden önce küçük bir alanı test edin. Aşındırıcı veya asit, alkali veya anti bakteriyel maddeler içeren ürünlerden kaçınınız.

## 7. Destek

Formation Flex nuzla ilgili daha fazla yardıma veya tavsiyeye ihtiyacınız olursa, lütfen [www.bowerswilkins.com/support](http://www.bowerswilkins.com/support) adresindeki Formasyon destek sitesini ziyaret edin.

## Çevresel Bilgi

Bu ürün, elektrikli ve elektronik teçhizatı Tehlikeli Maddelerin Kısıtlanması (RoHS), Kimyasal Maddelerin Tescilli, Değerlendirilmesi, Onaylanması ve Sınırlanması (REACH) ve Atık Elektrikli ve Elektronik Teçhizatın (WEEE) imhası dahil ancak bunlarla sınırlı olmamak üzere uluslararası yönergelere uygundur. Bu ürünün ne kadar doğru geri dönüştürüleceği veya atılacağı konusunda rehberlik için yerel atık imha yetkilinize danışın.

TÜRKİYE RESMİ İTHALATÇISI:  
TRIO SES ISIK VE GÖRÜNTÜ SİSTEMLERİ A.Ş.  
UĞUR MUMCU CAD.8/19 MKM KÜLTÜR MERKEZİ  
AKATLAR-BESİKTAS İSTANBUL  
+90 212 227 9540

TÜRKİYE MERKEZ SERVİS:  
TRIO SES ISIK VE GÖRÜNTÜ SİSTEMLERİ A.Ş.  
UĞUR MUMCU CAD.8/19 MKM KÜLTÜR MERKEZİ  
AKATLAR-BESİKTAS İSTANBUL  
+90 212 227 9540

## 欢迎惠顾Bowers & Wilkins和Formation Flex

感谢您选择Formation。John Bowers在创建Bowers & Wilkins伊始就坚信富有想象力的设计理念、创新工程和先进技术是开启家庭音响乐趣的钥匙。直至今日，这种信念一直激励着我们设计每一款产品，而Formation在寻求最佳性能的道路上从未止步。

Formation Flex 是网络连接的无线有源音箱，提供Formation 音频串流的超高性能重播。Formation Flex 主要使用Bowers & Wilkins Home 应用程序设定和控制，该应用适用于iOS和Android设备。一些常用的控制功能也可以通过Formation Flex前面板上的按钮实现。安装和配置Formation Flex只能使用Bowers & Wilkins Home应用程序完成。

Formation Flex的主要功能：

- 收听串流媒体服务如Spotify，Apple Music和Roon的音频。
- 收听网络存储的音频文件；
- 通过蓝牙，从兼容的蓝牙源设备收听音频；
- 聆听连接到Bowers & Wilkins Formation Audio的设备如唱盘（通过唱机前置放大器）和CD播放器上的音频。
- 从Airplay或蓝牙兼容的服务和应用程序收听音频，例如Internet Radio。
- 通过连接家庭网络的Formation设备，在家中任何位置收听播放音频。

必须使用Bowers & Wilkins Home应用程序来把Formation Flex与家庭网络相连，以及与家中其他Formation产品相连接。在使用过程中，Bowers & Wilkins Home应用程序还提供一些控制和配置功能。在Formation Flex开始安装之前，请在iOS或Android设备上下载并安装Bowers & Wilkins Home应用程序。Bowers & Wilkins Home应用程序需要iOS V11.4以上版本，或Android V8.1以上版本。蓝牙和WiFi服务必须在iOS或Android设备上启用，此外，您还需要知道WiFi网络密码。

*注：在Formation设置过程中，必须在Android设备上启用位置服务。这是因为Formation产品使用低功耗蓝牙（BT-LE）形式服务通信，在Android设备上，仅在启用位置服务时才会开启蓝牙。Bowers & Wilkins不会将任何位置服务数据用于营销目的。*

## 1. Formation Flex装箱单

Formation Flex  
适用于您所在区域的电源线  
文件包

## 2. 安装Formation Flex

在许多情况下，Formation Flex都可以使用-作为一个单声道扬声器，作为一对小型立体声扬声器或在5.1家庭影院中用作后环绕扬声器。

当用作为一对立体声扬声器时，Formation Flex应当至少相距1m（3英尺），并且与聆听区域的距离相约。如果扬声器放置得太近，则立体声重现可能缺乏比例；如果它们相距太远，则立体声聚焦可能会变弱。无需将Formation Flex向内倾斜向着聆听区域，但是因此可能会增强立体声聚焦。图1说明了扬声器的基本位置。

在5.1家庭影院配置中用作为后置扬声器时，Formation Flex的放置位置应与前面中置扬声器尽可能接近120度，如图2所示。

您的Formation Flex需要一个主电源才能工作，因此必须位于主电源插座可及的范围内。如果你的Formation Flex将使用有线连接到您的家庭网络，它将需要位于适当的网络（以太网）电缆的范围内。

如果您决定将Formation Flex放在架子上，请确保架子能够轻松支撑重量。

像绝大多数扬声器一样，Formation Flex不仅向前而且向侧面和后方辐射声能。因此，如果您的Formation Flex放置在靠近房间边沿，特别是在角落，则低音可能会变得过分强调。如果您发现Formation Flex的低音太突出，将其移动到其他地方可能会有所帮助，但是您也可以过Bowers & Wilkins Home应用程序的“设置”菜单来调整低音水平。

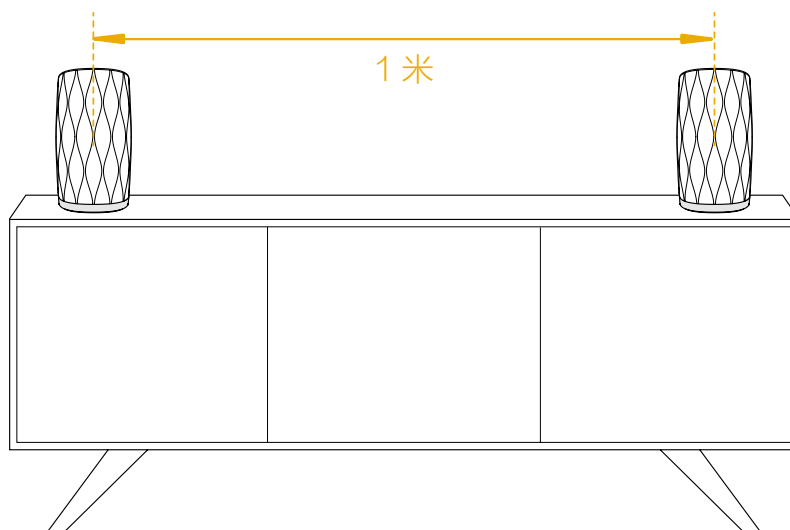


图1  
立体声摆放位置

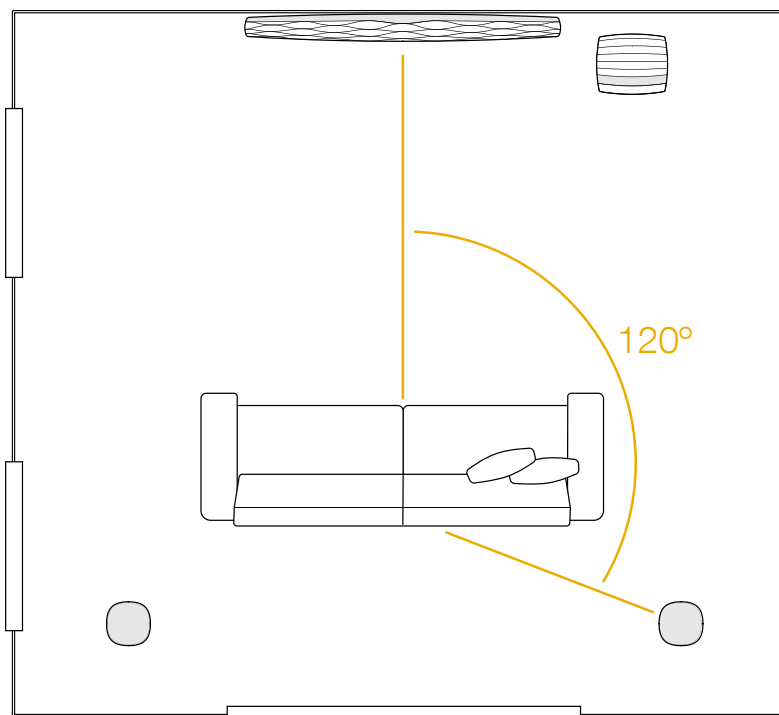


图2  
家庭影院摆放位置

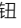
## 连接

除了电源插座 **1**，Formation Flex带有一个用于连接路由器的以太网插座 **2**。对比于无线（WiFi）连接，较建议有线网络连接。

*注：Formation Flex后面板上的USB插座仅用于服务和诊断用途。不得用作它途。*

## 开关

当一切连接到位，并且Bowers & Wilkins Home应用程序已成功安装在移动设备上后，您就可以设置和使用Formation Flex了。Formation Flex没有主电源开关，连接主电源，短启动后将立即运行。启动程序完成后，它将播放一个音频提示。


首次打开之前未使用的Formation Flex时，它们将自动进入设置模式，以使其能够连接到您的家庭网络和其他可用的Formation设备。扬声器的Form按钮  的琥珀色脉冲缓慢点亮表示设置模式。Formation Flex也将出现在Bowers & Wilkins Home应用程序中以供设置，可以在初始应用程序页面上，也可以从应用程序设置页面中选择“Add Formation product”“添加Formation产品”。

您的Formation Flex完全自动管理其运行状态和耗电量，并且在闲置二十分钟后将切换到省电模式。无需关闭Formation Flex，但是，如果您要这样做，只需断开它们与电源的连接即可。您的Formation Flex将保持其设置而无需电源。

短按后放开后面板上的复位按钮 **3**，将重新启动Formation Flex。按下按钮将关闭和再次打开Formation Flex。Formation Flex重启时，将保留所有设置。可以通过Bowers & Wilkins Home应用程序设置页面重新启动Formation Flex。

如想恢复Formation Flex的默认设置，请按下并保持复位按钮5秒。重新启动时，Formation Flex将进入设置模式。Formation Flex复位时，所有设置将删除。您还可以通过Bowers & Wilkins Home应用程序设置菜单复位Formation Flex。

## 网络设置

在Formation Flex设置模式中，Form  按钮的指示灯脉冲会慢慢变成橙色，然后在iOS或安卓设备上启动Bowers & Wilkins Home应用程序。该应用程序将指导您完成安装过程。

*注：在安装过程中，Formation Flex使用蓝牙连接运行Bowers & Wilkins Home应用程序的设备。蓝牙信号的传输距离相对较短，可能会因房间边界而受阻，所以我们建议，在安装过程中，Formation Flex和Bowers & Wilkins Home应用程序设备保持较近距离。*

- 在设置模式下，Bowers & Wilkins Home应用程序首先搜索Formation Flex，跳出的对话框将请用户选择其中一项。点击选择您的Formation Flex。如果您已设置好Formation新产品，并想添加一个新产品，请从“应用程序设置菜单”中选择“添加新产品”。
- 接下来，Bowers & Wilkins Home应用程序将请您命名使用Formation Flex的“空间”。除了使用默认空间名称列表，您也可以自行命名。选择或创建空间名称后，应用程序会要求您触摸Formation Flex前面的Form按钮  以确认该选择。
- 如果Formation Flex使用无线网络连接，下一步是将Formation Flex连接至家庭WiFi网络。应用程序会要求您确认正确的WiFi网络，输入密码。如果Formation Flex使用以太网电缆连接网络路由器，将绕过这一步设置过程。

*注：如果已有其他Formation产品连接WiFi网络，Formation Flex设置无需输入WiFi密码。*

- 当完成WiFi网络配置和空间选择之后，您就可以使用Formation Flex了。Formation Flex将播放音频提示，确认安装成功。

## 蓝牙设置

Formation Flex可连接蓝牙支持的音频源设备，例如智能手机，通过蓝牙播放音频。Formation Flex必须首先与蓝牙音频源设备成功“配对”。

当完成Formation Flex网络设置后，请打开Bowers & Wilkins Home应用程序的设置页面，选择您希望与蓝牙设备配对的Formation空间。接下来从蓝牙菜单中选择“+配对一个新设备”（+Pair a new device），并按照应用程序的说明完成配对。配对完成后，Formation Flex将播放一个音频提示，随后配对的蓝牙设备可以使用其空间，播放音频。

*注：每个Formation空间同时最多可与8个蓝牙设备配对，但设备不会自动连接和播放配对的空。*

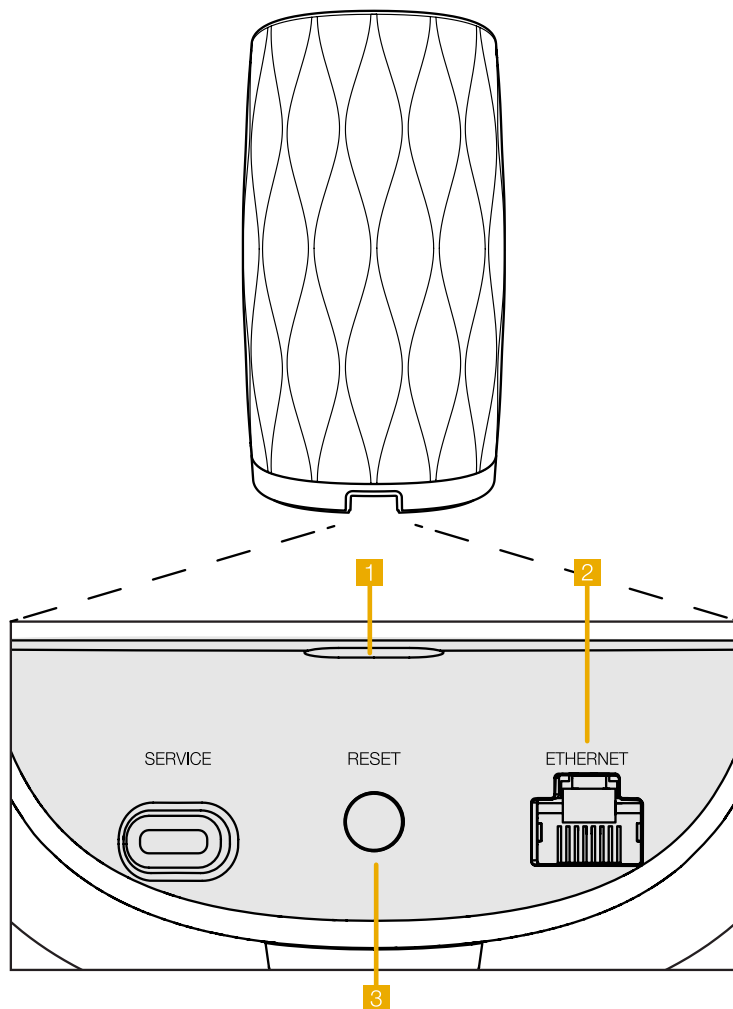


图3  
Formation Flex连接面板

### 3. 使用Formation Flex

#### 基本


您可以使用Formation Flex从串流服务(如Spotify, Apple Music和Tidal等),从Roon音乐库服务以及通过适当的iRadio应用程序从互联网广播播放音频。如果您有更多的Formation设备连接到网络,例如Formation Audio,连接到它的常规音频源也可以通过Formation Flex而获得。

#### 空间 (Spaces)

空间是Formation产品家族的核心概念。Formation“空间”是指在家中欣赏音乐的一个房间或某个特定区域。每个空间都可以包含Formation的不同产品组合。图4显示了可用的配置。

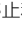
#### 播放音频

Bowers & Wilkins Home应用程序可让您选择和播放可用的音频源或流媒体。然而,与传统音频源播放需要通过一个播放命令启动一样,Formation音频流必须首先通过自己的网关应用程序启动:例如,Spotify应用程序,或音乐库应用程序,如Roon。每个网关或音乐库应用程序都将Formation Flex空间列为一个可用播放设备,使用Airplay、蓝牙,或在Spotify的情况下,使用Spotify Connect。


当音频流在Formation网络上播放时,可以通过Bowers & Wilkins Home应用程序或通过Formation Flex前面板触摸按钮选择。触摸Form按钮将循环播放可用的流和源。

#### Formation Flex顶部面板控件和说明

您的Formation Flex的顶部面板上有触摸按钮,可提供播放/暂停控制,音量调节和音源/串流选择。

- 触摸播放/暂停  将交替停止和重新启动音频播放。

*注: 播放/暂停只会在流媒体源具有播放和暂停功能的情况下操作, 这些功能可以通过蓝牙或网络连接访问。*

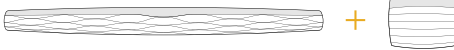
- 触摸音量向上“+”或向下“-”将调整网络流或本地源的音量。按下并按住“+”和“-”按钮将不断增加或降低音量。
- 触摸Form按钮将循环播放Formation Flex可用的有源流和源。

#### TV空间配置

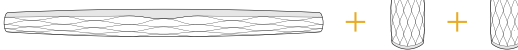
Formation Bar (3.0)



Formation Bar + Formation Bass (3.1)



Formation Bar + Formation Flex (5.0)



Formation Bar + Formation Bass + Formation Flex (5.1)



#### 音乐空间配置

Formation Audio



Formation Wedge



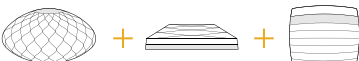
Formation Wedge + Formation Audio



Formation Wedge + Formation Bass



Formation Wedge + Formation Audio + Formation Bass



Formation Duo



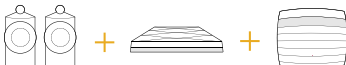
Formation Duo + Formation Audio



Formation Duo + Formation Bass



Formation Duo + Formation Audio + Formation Bass



Formation Flex



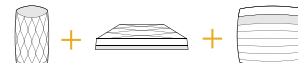
Formation Flex + Formation Audio



Formation Flex + Formation Bass



Formation Flex + Formation Audio + Formation Bass



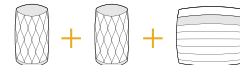
Formation Flex (stereo pair)



Formation Flex (stereo pair) + Formation Audio



Formation Flex (stereo pair) + Formation Bass



Formation Flex (stereo pair) + Formation Audio + Formation Bass



图4  
空间配置

## Form按钮指示灯

Formation Flex的Form按钮指示灯变化表示各种操作状态。图5介绍了指示灯情况。

## 4. Bowers & Wilkins Home应用程序

Formation Flex配置好并连接网络后，Bowers & Wilkins Home应用程序将打开Home屏幕，列出Formation Flex空间和其他可用的Formation空间。

轻击Formation空间，从可用的音频流或输入中选择。如果没有可用的音频流，打开一个流媒体应用程序，例如Spotify，选择要播放的曲目，然后从可用的播放设备列表中选择Formation空间。现在，返回Bowers & Wilkins Home应用程序时，Spotify流将列在Formation Flex空间页面上。

Bowers & Wilkins Home应用程序主页在右上角有一个“设置”图标。点击图标打开应用程序的“设置”菜单。菜单提供配置和复位Formation设备，重新命名Formation空间的选项。应用程序和Formation设备固件更新也从设置菜单启动。

### Bowers & Wilkins Home应用程序使用

Bowers & Wilkins Home应用程序将在打开时搜索可用的Formation空间，然后显示Home页，列出Formation空间。

在每个空间下，应用程序将显示当前活动。轻点一个活动空间将打开一个“现在播放”屏幕，启用音量和播放/暂停控制。

“正在播放”（now playing）屏幕还提供了一个“可用空间”（Available Spaces）选项，在选定空间中播放的流转移到另一个空间，或在多个空间中播放。“可用空间”（Available Spaces）屏幕还提供控制音量的机会，既可以全局控制所有空间，还能控制单个空间。

点击设置图标就可以打开Bowers & Wilkins Home应用程序设置页面。初始“设置”菜单列出每个空间和每个空间中出现的Formation设备的数量。

轻击“设置”菜单中列出的空间，访问其Space和Formation设备设置。轻击空间名称，访问空间设置，点击设备名称，访问设备设置。可用的设备设置取决于讨论的设备。

*注：如果Bowers & Wilkins Home应用程序上的设置图标显示一个黄点，表明Formation固件可以更新。固件更新过程从设置菜单启动。Bowers & Wilkins Home应用程序和Formation设备应保持最新的版本和固件。这不仅有助于确保最可靠的性能，还将确保从Formation Flex新功能收益。*

## 5. Formation 音乐流和音乐源

### 使用Spotify

使用手机、平板电脑或电脑作为Spotify的遥控。请访问spotify.com/connect了解如何使用。

第三方许可证对Spotify Software的影响请见：<https://www.spotify.com/connect/third-party-licenses>。

### Airplay的使用方法

Airplay可让音频应用在Apple移动设备、笔记本电脑或桌面设备上使用，通过网络将素材传输至Airplay兼容设备，如Formation Flex。Airplay支持的应用程序将显示Airplay图标。

使用Airplay时，打开想要使用的音频应用程序，选择想要播放的音乐。轻击Airplay图标，可显示可用设备列表，随后是希望使用的Formation Space。

*注：通过Airplay，可以同时多个设备上播放音频，但是播放质量和同步可能取决于家庭网络的容量。如果想在多个Formation空间同时播放素材，可以通过Bowers & Wilkins Home应用程序选择多个空间，大幅提高同步效果。*

### Roon的使用方法

Roon是一个功能丰富的音乐库和播放应用程序，它可以编译您的网络上所有可用的音乐文件，并使它们可以轻松地在所有Formation空间和其他Roon支持的音频设备上播放。Roon可用于移动、笔记本或桌面设备。

打开Roon时，它将显示完整的音频库及其元数据和插图，以及所有Formation空间和其他可用的网络音频设备。简单地选择想播放的音乐和想听音乐的Formation空间。

*注：可同时在多个设备上从Roon传输音频，但是播放质量和同步可能取决于家庭网络的容量。如果想在多个Formation空间同时播放素材，可以通过Bowers & Wilkins Home应用程序选择多个空间，以大幅提高同步效果。*

### 蓝牙的使用方法

蓝牙使移动设备、笔记本电脑或桌面设备上的音频应用程序能够通过无线连接将素材传输至与之兼容的硬件上，如Formation Flex。

为了使用蓝牙，确保在设备蓝牙设置菜单中选择所需的Formation Space，打开想要使用的音频应用程序，选择想要播放的音乐。轻击“播放设备”图标，显示可用列表，然后是希望使用的Formation Space。

## 6. 清洁

如果Formation Flex需要清洁，可以用干净的绒布擦拭表面，用软刷刷扫格栅。如果想使用清洗液，请将其涂在清洁布上，而不是直接涂在Formation Flex上。首先测试一小块区域，因为一些清洗产品可能会损坏某些表面。避免使用含有酸、碱或抗菌剂的磨料制品。

## 7. 支持

如需要进一步的帮助或建议，请访问Formation技术支持网站：[www.bowerswilkins.com/support](http://www.bowerswilkins.com/support)。

### 环境信息

本产品符合国际指令，包括但不限于《电子电气设备中限制使用某些有害物质指令》（RoHS）、《化学品的注册、评估、授权和限制》（REACH）和《报废电子电气设备指令》（WEEE）。请咨询当地废物处理主管机构如何有效地回收或处置这些废物。

指标	操作状态
闪烁白光	正在启动
脉冲黄光	准备启动
闪烁黄光	正在固件更新
脉冲白光	正在选取音频
脉冲红光	错误-联系支持人员
常亮红光	错误-联系支持人员
闪烁红光	正在工厂复位

图5  
Form按钮指示灯

## 歡迎惠顧Bowers & Wilkins和Formation Flex

感謝您選擇Formation。John Bowers在創建Bowers & Wilkins伊始就堅信富有想象力的設計理念、創新工程和先進技術是開啓家庭音響樂趣的鑰匙。直至今日，這種信念一直激勵著我們設計每一款產品，而Formation在尋求最佳性能的道路從未止步。

Formation Flex 是網絡連接的無線有源音箱，提供Formation 音頻串流的超高性能重播。Formation Flex 主要使用Bowers & Wilkins Home 應用程序設定和控制，該應用適用於iOS和Android設備。一些常用的控制功能也可以通過Formation Flex前面板上的按鈕實現。安裝和配置Formation Flex只能使用Bowers & Wilkins Home應用程序完成。

Formation Flex的主要功能：

- 收聽串流媒體服務如Spotify，Apple Music和Roon的音頻。
- 收聽網絡存儲的音頻文件；
- 通過藍牙，從兼容的藍牙源設備收聽音頻；
- 聆聽連接到Bowers & Wilkins Formation Audio的設備如唱盤（通過唱機前置放大器）和CD播放器上的音頻。
- 從Airplay或藍牙兼容的服務和應用程序收聽音頻，例如Internet Radio。
- 通過連接家庭網絡的Formation設備，在家中任何位置收聽播放音頻。

必須使用Bowers & Wilkins Home應用程序來把Formation Flex與家庭網絡相連，以及與家中其他Formation產品相連接。在使用過程中，Bowers & Wilkins Home應用程序還提供一些控制和配置功能。在Formation Flex開始安裝之前，請在iOS或Android設備上下載並安裝Bowers & Wilkins Home應用程序。Bowers & Wilkins Home應用程序需要iOS V11.4以上版本，或Android V8.1以上版本。藍牙和WiFi服務必須在iOS或Android設備上啓用，此外，您還需要知道WiFi網絡密碼。

*注：在Formation設置過程中，必須在Android設備上啓用位置服務。這是因為Formation產品使用低功耗藍牙（BT-LE）形式服務通信，在Android設備上，僅在啓用位置服務時才會開啓藍牙。Bowers & Wilkins不會將任何位置服務數據用於營銷目的。*

額定輸入電源：AC100-240V,50/60Hz,50W

[www.bowerswilkins.com](http://www.bowerswilkins.com)

## 1. Formation Flex裝箱單

Formation Flex  
適用於您所在區域的電源線  
文件包

## 2. 安裝Formation Flex

在許多情況下，Formation Flex都可以使用-作為一個單聲道揚聲器；作為一對小型立體聲揚聲器或在5.1家庭影院中用作後環繞揚聲器。

當用作為一對立體聲揚聲器時，Formation Flex應當至少相距1m（3英尺），並且與聆聽區域的距離相約。如果揚聲器放置得太近，則立體聲重現可能缺乏比例；如果它們相距太遠，則立體聲聚焦可能會變弱。無需將Formation Flex向內傾斜向著聆聽區域，但是因此可能會增強立體聲聚焦。圖1說明了揚聲器的基本位置。

在5.1家庭影院配置中用作為後置揚聲器時，Formation Flex的放置位置應與前面中置揚聲器盡可能接近120度，如圖2所示。

您的Formation Flex需要一個主電源才能工作，因此必須位於主電源插座可及的範圍內。如果您的Formation Flex將使用有線連接到您的家庭網絡，它將需要位於適當的網絡（以太網）電纜的範圍內。

如果您決定將Formation Flex放在架子上，請確保架子能夠輕鬆支撐重量。

像絕大多數揚聲器一樣，Formation Flex不僅向前而且向側面和後方輻射聲能。因此，如果您的Formation Flex放置在靠近房間邊沿，特別是在角落，則低音可能會變得過分強調。如果您發現Formation Flex的低音太突出，將其移動到其他位置可能會有所幫助，但是您也可以通過Bowers & Wilkins Home應用程序的「設置」菜單來調整低音水平。

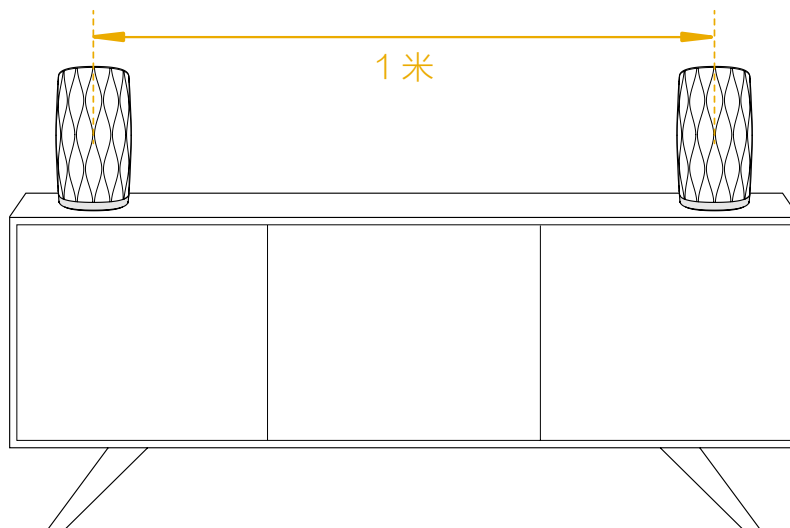


圖1  
立體聲擺放位置

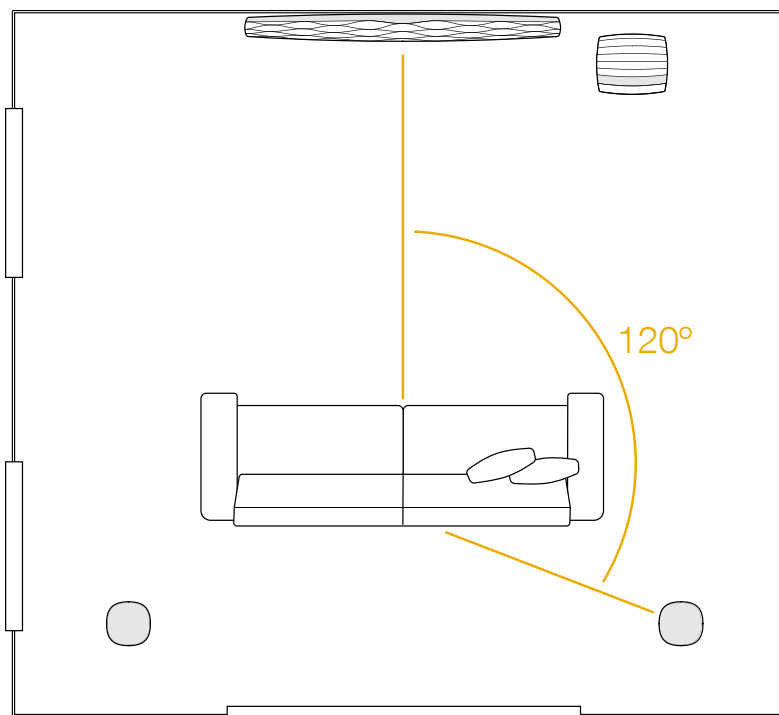


圖2  
家庭影院擺放位置

## 連接

- 1 AC連接埠
- 2 RJ-45連接埠 (100Mbps)
- 3 復位按鈕
- 4 USB-C (僅用於服務和診斷用途)

除了電源插座 1，Formation Flex帶有一個用於連接路由器的以太網插座 2。對比於無線 (WiFi) 連接，較建議有線網絡連接。

注：Formation Flex後面板上的USB插座僅用於服務和診斷用途。不得用作它途。

## 開關

當一切連接到位，並且Bowers & Wilkins Home應用程序已成功安裝在移動設備上後，您就可以設置和使用Formation Flex了。Formation Flex沒有主電源開關，連接主電源，短啟動後將立即運行。啟動程序完成後，它將播放一個音頻提示。

首次打開之前未使用的Formation Flex時，它們將自動進入設置模式，以使其能夠連接到您的家庭網絡和任何其他可用的Formation設備。揚聲器的Form按鈕 的琥珀色脈衝緩慢點亮表示設置模式。Formation Flex也將出現在Bowers & Wilkins Home應用程序中以供設置，可以在初始應用程序頁面上，也可以從應用程序設置頁面中選擇 'Add Formation product' 「添加Formation產品」。

您的Formation Flex完全自動管理其運行狀態和耗電量，並且在閒置二十分鐘後將切換到省電模式。無需關閉Formation Flex，但是，如果您要這樣做，只需斷開它們與電源的連接即可。您的Formation Flex將保持其設置而無需電源。

短按後放開後面板上的復位按鈕 3，將重新啟動Formation Flex。按下按鈕將關閉和再次打開Formation Flex。Formation Flex重啟時，將保留所有設置。可以通過Bowers & Wilkins Home應用程序設置頁面重新啟動Formation Flex。

如想恢復Formation Flex的默認設置，請按下並保持復位按鈕5秒。重新啟動時，Formation Flex將進入設置模式。Formation Flex復位時，所有設置將刪除。您還可以通過Bowers & Wilkins Home應用程序設置菜單復位Formation Flex。

## 網絡設置

- 在Formation Flex設置模式中，Form 的指示燈脈衝會慢慢變成橙色，然後在iOS或安卓設備上啟動Bowers & Wilkins Home應用程序。該應用程序將指導您完成安裝過程。

注：在安裝過程中，Formation Flex使用藍牙連接運行Bowers & Wilkins Home應用程序的設備。藍牙信號的傳輸距離相對較短，可能會因房間邊界而受阻，所以我們建議，在安裝過程中，Formation Flex和Bowers & Wilkins Home應用程序設備保持較近距離。

- 在設置模式下，Bowers & Wilkins Home應用程序首先搜索Formation Flex，跳出的對話框將請用戶選擇其中一項。點擊選擇您的Formation Flex。如果您已設置好Formation新產品，並想添加一個新產品，請從「應用程序設置菜單」中選擇「添加新產品」。
- 接下來，Bowers & Wilkins Home應用程序將請您命名使用Formation Flex的「空間」。除了使用默認空間名稱列表，您也可以自行命名。選擇或創建空間名稱後，應用程序會要求您觸摸Formation Flex前面的Form按鈕 以確認該選擇。
- 如果Formation Flex使用無線網絡連接，下一步是將Formation Flex連接至家庭WiFi網絡。應用程序會要求您確認正確的WiFi網絡，輸入密碼。如果Formation Flex使用以太網電纜連接網絡路由器，將繞過這一步設置過程。

注：如果已有其他Formation產品連接WiFi網絡，Formation Flex設置無需輸入WiFi密碼。

- 當完成WiFi網絡配置和空間選擇之後，您就可以使用Formation Flex了。Formation Flex將播放音頻提示，確認安裝成功。

## 藍牙設置

Formation Flex可連接藍牙支持的音頻源設備，例如智能手機，通過藍牙播放音頻。Formation Flex必須首先與藍牙音頻源設備成功「配對」。

當完成Formation Flex網絡設置後，請打開Bowers & Wilkins Home應用程序的設置頁面，選擇您希望與藍牙設備配對的Formation空間。接下來從藍牙菜單中選擇「+配對一個新設備」(+Pair a new device)，並按照應用程序的說明完成配對。配對完成後，Formation Flex將播放一個音頻提示，隨後配對的藍牙設備可以使用其空間，播放音頻。

注：每個Formation空間同時最多可與8個藍牙設備配對，但設備不會自動連接和播放配對的空間。

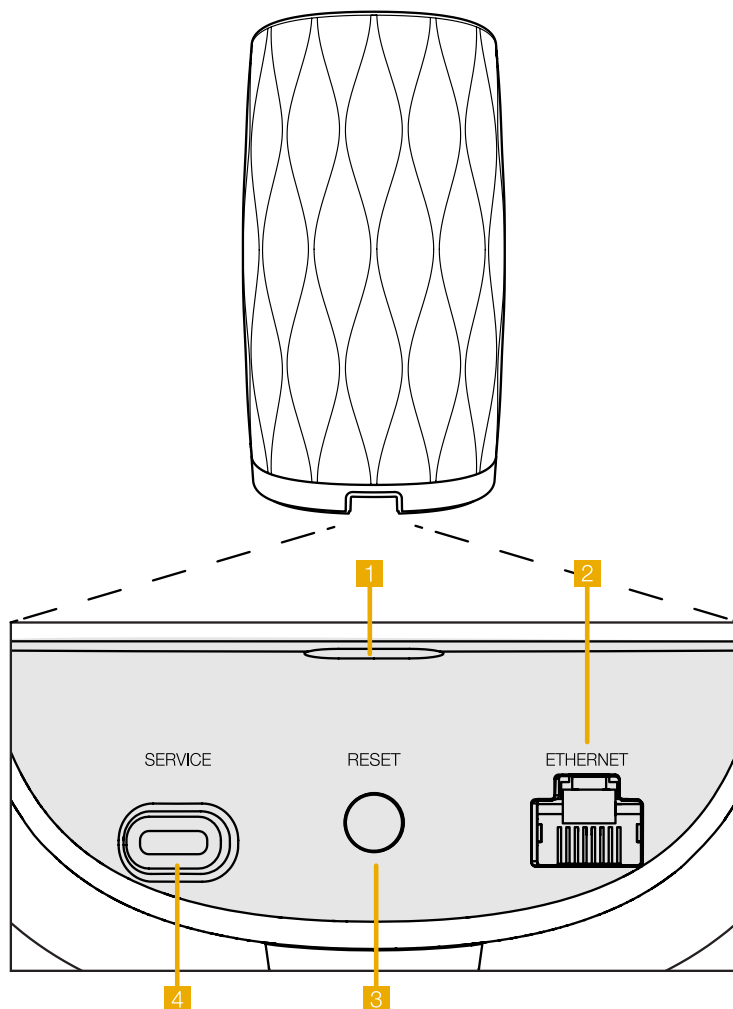


圖3  
Formation Flex連接面板

### 3. 使用Formation Flex

#### 基本

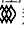
您可以使用Formation Flex從串流服務(如Spotify, Apple Music和Tidal等), 從Roon音樂庫服務以及通過適當的iRadio應用程序從互聯網廣播播放音頻。如果您有更多的Formation設備連接到網絡, 例如Formation Audio, 連接到它的常規音頻源也可以通過Formation Flex而獲得。

#### 空間 (Spaces)

空間是Formation產品家族的核心概念。Formation「空間」是指在家中欣賞音樂的一個房間或某個特定區域。每個空間都可以包含Formation的不同產品組合。圖4顯示了可用的配置。

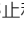
#### 播放音頻

Bowers & Wilkins Home應用程序可讓您選擇和播放可用的音頻源或流媒體。然而, 與傳統音頻源播放需要通過一個播放命令啓動一樣, Formation音頻流必須首先通過自己的網關應用程序啓動: 例如, Spotify應用程序, 或音樂庫應用程序, 如Roon。每個網關或音樂庫應用程序都將Formation Flex空間列為一個可用播放設備, 使用Airplay、藍牙, 或在Spotify的情況下, 使用Spotify Connect。


當音頻流在Formation網絡上播放時, 可以通過Bowers & Wilkins Home應用程序或通過Formation Flex前面板觸摸按鈕選擇。觸摸Form按鈕將循環播放可用的流和源。

#### Formation Flex頂面板控件和說明

您的Formation Flex的頂部面板上有觸摸按鈕, 可提供播放/暫停控制, 音量調節和音源/串流選擇。

- 觸摸播放/暫停  將交替停止和重新啓動音頻播放。

*注：播放/暫停只會在流媒體源具有播放和暫停功能的情況下操作，這些功能可以通過藍牙或網絡連接訪問。*

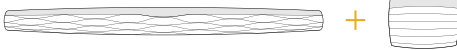
- 觸摸音量向上“+”或向下“-”將調整網絡流或本地源的音量。按下並按住“+”和“-”按鈕將不斷增加或降低音量。
- 觸摸Form按鈕將循環播放Formation Flex可用的有源流和源。

#### TV空間配置

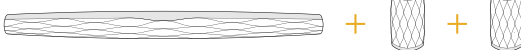
Formation Bar (3.0)



Formation Bar + Formation Bass (3.1)



Formation Bar + Formation Flex (5.0)



Formation Bar + Formation Bass + Formation Flex (5.1)



#### 音樂空間配置

Formation Audio



Formation Wedge



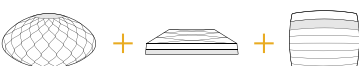
Formation Wedge + Formation Audio



Formation Wedge + Formation Bass



Formation Wedge + Formation Audio + Formation Bass



Formation Duo



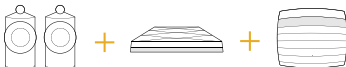
Formation Duo + Formation Audio



Formation Duo + Formation Bass



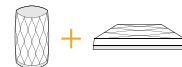
Formation Duo + Formation Audio + Formation Bass



Formation Flex



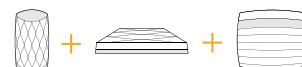
Formation Flex + Formation Audio



Formation Flex + Formation Bass



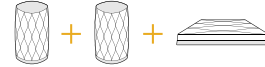
Formation Flex + Formation Audio + Formation Bass



Formation Flex (stereo pair)



Formation Flex (stereo pair) + Formation Audio



Formation Flex (stereo pair) + Formation Bass



Formation Flex (stereo pair) + Formation Audio + Formation Bass

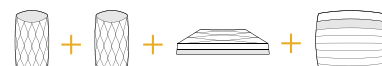


圖4  
空間配置

## Form按鈕指示燈

Formation Flex的Form按鈕指示燈變化表示各種操作狀態。圖5介紹了指示燈情況。

## 4. Bowers & Wilkins Home應用程序

Formation Flex配置好並連接網絡後，Bowers & Wilkins Home應用程序將打開Home屏幕，列出Formation Flex空間和其他可用的Formation空間。

輕擊Formation空間，從可用的音頻流或輸入中選擇。如果沒有可用的音頻流，打開一個流媒體應用程序，例如Spotify，選擇要播放的曲目，然後從可用的播放設備列表中選擇Formation空間。現在，返回Bowers & Wilkins Home應用程序時，Spotify流將列在Formation Flex空間頁面上。

Bowers & Wilkins Home應用程序主頁在右上角有一個「設置」圖標。點擊圖標打開應用程序的「設置」菜單。菜單提供配置和復位Formation設備，重新命名Formation空間的選項。應用程序和Formation設備固件更新也從設置菜單啓動。

### Bowers & Wilkins Home應用程序使用

Bowers & Wilkins Home應用程序將在打開時搜索可用的Formation空間，然後顯示Home頁，列出Formation空間。

在每個空間下，應用程序將顯示當前活動。輕點一個活動空間將打開一個「現在播放」屏幕，啓用音量和播放/暫停控制。

「正在播放」(now playing) 屏幕還提供了一個「可用空間」(Available Spaces) 選項，在選定空間中播放的流轉移到另一個空間，或在多個空間中播放。「可用空間」(Available Spaces) 屏幕還提供控制音量的機會，既可以全局控制所有空間，還能控制單個空間。

點擊設置圖標就可以打開Bowers & Wilkins Home應用程序設置頁面。初始「設置」菜單列出每個空間和每個空間中出現的Formation設備的數量。

輕擊「設置」菜單中列出的空間，訪問其Space和Formation設備設置。輕擊空間名稱，訪問空間設置，點擊設備名稱，訪問設備設置。可用的設備設置取決於討論的設備。

*注：如果Bowers & Wilkins Home應用程序上的設置圖標顯示一個黃點，表明Formation固件可以更新。固件更新過程從設置菜單啓動。Bowers & Wilkins Home應用程序和Formation設備應保持最新的版本和固件。這不僅有助於確保最可靠的性能，還將確保從Formation Flex新功能收益。*

## 5. Formation 音樂流和音樂源

### 使用Spotify

使用手機、平板電腦或電腦作為Spotify的遙控。請訪問spotify.com/connect瞭解如何使用。

第三方許可證對Spotify Software的影響請見：<https://www.spotify.com/connect/third-party-licenses>。

### Airplay的使用方法

Airplay可讓音頻應用在Apple移動設備、筆記本電腦或桌面設備上使用，通過網絡將素材傳輸至Airplay兼容設備，如Formation Flex。Airplay支持的應用程序將顯示Airplay圖標。

使用Airplay時，打開想要使用的音頻應用程序，選擇想要播放的音樂。輕擊Airplay圖標，可顯示可用設備列表，隨後是希望使用的Formation Space。

*注：通過Airplay，可以同時在多個設備上播放音頻，但是播放質量和同步可能取決於家庭網絡的容量。如果想在多個Formation空間同時播放素材，可以通過Bowers & Wilkins Home應用程序選擇多個空間，大幅提高同步效果。*

### Roon的使用方法

Roon是一個功能豐富的音樂庫和播放應用程序，它可以編譯您的網絡上所有可用的音樂文件，並使它們可以輕鬆地在所有Formation空間和其他Roon支持的音頻設備上播放。Roon可用於移動、筆記本或桌面設備。

打開Roon時，它將顯示完整的音頻庫及其元數據和插圖，以及所有Formation空間和其他可用的網絡音頻設備。簡單地選擇想播放的音樂和想聽音樂的Formation空間。

*注：可同時在多個設備上從Roon傳輸音頻，但是播放質量和同步可能取決於家庭網絡的容量。如果想在多個Formation空間同時播放素材，可以通過Bowers & Wilkins Home應用程序選擇多個空間，以大幅提高同步效果。*

## 藍牙的使用方法

藍牙使移動設備、筆記本電腦或桌面設備上的音頻應用程序能夠通過無線連接將素材傳輸至與之兼容的硬件上，如Formation Flex。

為了使用藍牙，確保在設備藍牙設置菜單中選擇所需的Formation Space，打開想要使用的音頻應用程序，選擇想要播放的音樂。輕擊「播放設備」圖標，顯示可用列表，然後是希望使用的Formation Space。

## 6. 清潔

如果Formation Flex需要清潔，可以用乾淨的絨布擦拭表面，用軟刷刷掃格柵。如果想使用清洗液，請將其塗在清潔布上，而不是直接塗在Formation Flex上。首先測試一小塊區域，因為一些清洗產品可能會損壞某些表面。避免使用含有酸、鹼或抗菌劑的磨料製品。

## 7. 支持

如需要進一步的幫助或建議，請訪問Formation技術支持網站：[www.bowerswilkins.com/support](http://www.bowerswilkins.com/support)。

## 環境信息

本產品符合國際指令，包括但不限於《電子電氣設備中限制使用某些有害物質指令》(RoHS)、《化學品的註冊、評估、授權和限制》(REACH)和《報廢電子電氣設備指令》(WEEE)。請諮詢當地廢物處理主管機構如何有效地回收或處置這些廢物。

指標	操作狀態
閃爍白光	正在啓動
脈衝黃光	準備啓動
閃爍黃光	正在固件更新
脈衝白光	正在選取音頻
脈衝紅光	錯誤-聯繫支持人員
常亮紅光	錯誤-聯繫支持人員
閃爍紅光	正在工廠復位

圖5  
Form按鈕指示燈

## Bowers & Wilkins、Formation Flex によるこそ。

Formation をお選びいただきありがとうございます。Bowers & Wilkins の創業者 ジョン・バウワースは、独創的なデザイン、革新的なエンジニアリング、そして最先端のテクノロジーは、家庭でオーディオを愉しむための鍵であるとの信念のもとに、B&W を設立しました。この信念は、私たちがデザインする一つひとつの製品に脈々と生かされ、最も先進的な作品として実現したのが「Formation」です。

Formation Flex は、ネットワークでつながった、ワイヤレスアクティブスピーカーで、Formation のオーディオストリーム再生で、極めて優れたパフォーマンスを実現します。Formation Flex は、基本的に Bowers & Wilkins Home アプリを使ってコントロールするようになっています。このアプリには iOS 機器用と Android 機器用があります。Formation Flex のトップパネルにあるボタンを使って、一般的なコントロール機能もご利用になれます。Formation Flex のインストールと構成は、Bowers & Wilkins Home アプリを使ってのみ可能です。

Formation Flex では以下が可能です：

- ・ Spotify、Apple Music、Roon などのストリーミングサービスの音楽を聴く。
- ・ ネットワークに保存されているオーディオファイルを聴く。
- ・ 適切に有効化された Bluetooth ソース機器から Bluetooth で音楽や音声を聴く
- ・ Bowers & Wilkins Formation Audio に接続されている、ターンテーブル（フォノプリアンプを介して）や CD プレーヤーなどの機器からの音楽を聴く。
- ・ インターネットラジオなどの音声を、AirPlay や Bluetooth 対応のサービスやアプリなどから聴く。
- ・ 自宅内のどこかで再生されている音楽や音声を、自宅のネットワークに接続されている Formation 機器で聴く。

Bowers & Wilkins Home アプリを使うには、お持ちの Formation Flex をご自宅のネットワークに接続し、また、ご自宅の中にある他の Formation 製品との接続を確立させる必要があります。Bowers & Wilkins Home アプリは、使用中のコントロールや構成機能も提供しています。Formation Flex の設置前に、Bowers & Wilkins Home アプリを、お持ちの iOS 機器または Android 機器にダウンロードし、インストールしてください。Bowers & Wilkins Home アプリには、iOS V11.4 以降、または Android V8.1 以降が必要です。お持ちの iOS 機器または Android 機器で、Bluetooth と Wi-Fi サービスを有効にしなければなりません。お使いの Wi-Fi ネットワークのパスワードも必要になります。

*ご注意：Android 機器では、Formation のセットアップ中は位置情報サービスを有効にしておかなければなりません。これは、Formation 製品では、サービスコミュニケーションに低消費電力の Bluetooth (BT-LE) を使用しますが、Android 機器では、位置情報サービスが有効になっているときのみ、Bluetooth (BT-LE) がオンになるためです。Bowers & Wilkins は、位置情報サービスをマーケティング目的で使用することはありません。*

## 1. Formation Flex の同梱品

Formation Flex  
 お使いの地域に適切な電源ケーブルセット  
 ドキュメントパック

## 2. Formation Flex の設置

Formation Flex は、単体をモノラルスピーカーとして、ペアでコンパクトステレオに、あるいは5.1ホームシアターセットアップでのリアサラウンドスピーカーとして、幅広い用途にお使いいただけます。

ステレオペアとしてご使用になる場合は、Formation Flex は、スピーカーの間隔を少なくとも1m離し、リスニングエリアから同じ距離になるように置いてください。2基のスピーカーが互いに近づきすぎていると、スケール感に欠けるステレオ再生となり、距離が離れすぎていると、ステレオフォーカスが弱まる場合があります。Formation Flex をリスニングエリアに向けて内向きに角度をつける必要はありませんが、内向きにするすることで、ステレオフォーカスを絞り込む場合があります。スピーカーの基本的な配置位置は図1をご参照ください。

5.1 ホームシアター構成でリアスピーカーとしてご使用になる場合は、図2に示されているように、Formation Flex はフロントセンタースピーカーに対して120°にできるだけ近い角度で設置してください。

Formation Flex の動作にはコンセントからの電源が必要なので、電源コンセントに届く位置に設置しなければなりません。Formation Flex をご自宅のネットワークに有線で接続する場合は、適切なネットワーク (Ethernet) ケーブルが届く範囲内に設置する必要があります。

Formation Flex を棚に置く場合は、その棚が本機の重量を十分に支えられることを確実にしてください。

大多数のスピーカーと同様に、Formation Flex は、音響エネルギーを正面だけでなく側面と後面にも放射します。従って、Formation Flex を部屋の壁近く、特にコーナー部に置くと、低音域が強調され過ぎる場合があります。お使いの Formation Flex の低音域が目立ちすぎる場合は、設置場所を変えると効果があるかもしれません。低音のレベルは、Bowers & Wilkins Home アプリの [設定] メニューを使って調整することもできます。

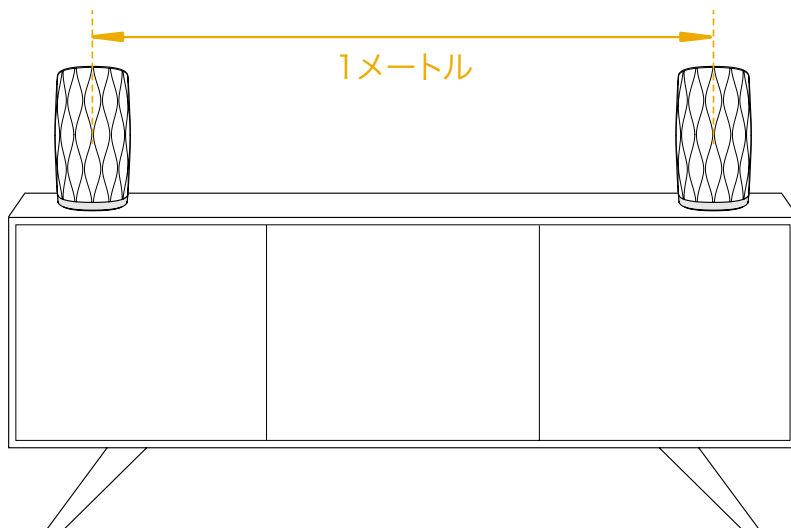


図1  
ステレオ配置

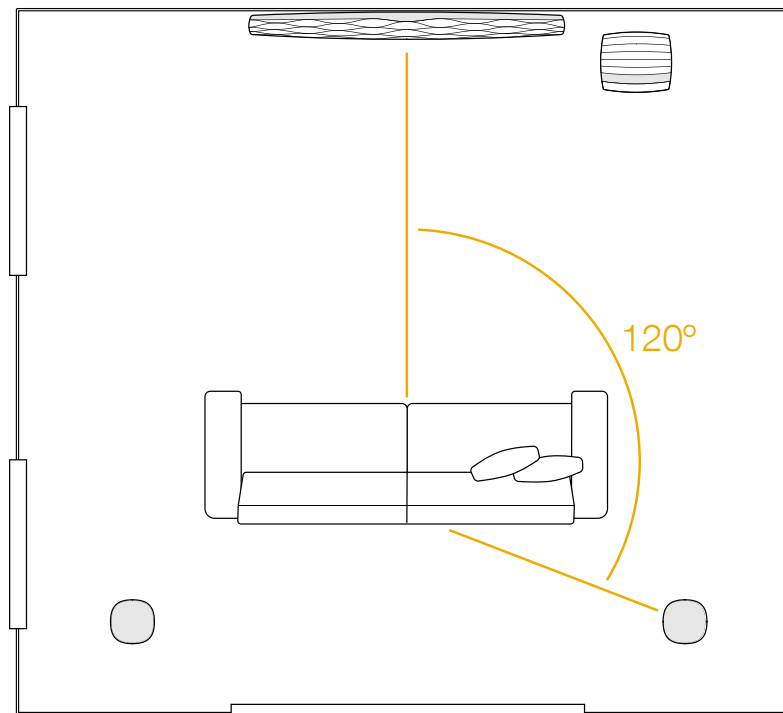


図2  
ホームシアター配置

**接続**

電源ソケット 1 に加えて、Formation Flexには、ワイヤレス (Wi-Fi) よりも有線のネットワーク接続をご希望の方のために Ethernet 端子 2 を搭載しています。

ご注意：Formation Flex リアパネルにある USB 端子は、サービスと故障診断の目的だけに使用されます。それ以外の目的に使用することはできません。

**スイッチのオン/オフ**

すべての接続が完了し、Bowers & Wilkins Home アプリをお持ちのモバイル機器にインストールすると、Formation Flex のセットアップの準備が整います。Formation Flex には電源スイッチがないので、Formation Flex が電源に接続され、短時間のスタートアップルーチン後、直ちに操作可能となります。スタートアップルーチンが完了すると、音声ガイドが聞こえます。

未使用の Formation Flex のスイッチを初めてオンにすると、ご自宅のネットワークや、使用可能な他の Formation 機器に接続できるようにするために、自動的にセットアップモードに入ります。セットアップモードでは、Form タッチボタン がゆっくりとオレンジ色にパルス点滅します。Formation Flex は、Bowers & Wilkins Home アプリの最初のページか、またはアプリの [設定] ページで [Formation 製品を追加する] を選択すると、セットアップが可能としても表示されます。

Formation Flex は動作状態と電力消費を完全に自動管理し、20 分間使用されない場合はパワーセーブモードに切り替わります。Formation Flex のスイッチをオフにする必要はありませんが、オフにしたい場合は電源から切り離してください。Formation Flex では、電源がなくても設定はそのまま保持されます。

Formation Flex を再起動するには、リアパネルにあるリセットボタン 3 を短い時間押しして離します。このボタンを押すと、Formation Flex のオン/オフが切り替わります。Formation Flex を再起動しても、全設定はそのまま保持されます。Bowers & Wilkins Home アプリの [設定] ページからも Formation Flex を再起動することができます。

Formation Flex をデフォルト設定にリセットしたい場合は、リセットボタンを5秒間長押ししてください。再起動すると、Formation Flex はセットアップモードに入ります。Formation Flex をリセットすると、全設定は消去されます。Bowers & Wilkins Home アプリの [設定] ページからも Formation Flex をリセットすることができます。

**ネットワークのセットアップ**

Formation Flex がセットアップモードで、Form ボタン がゆっくりとオレンジ色に点滅していたら、お持ちの iOS 機器または Android 機器で Bowers & Wilkins Home アプリを起動します。アプリのガイドが、セットアップの開始から終了までをご案内します。

ご注意：Formation Flex は、セットアップ中、Bowers & Wilkins Home アプリを実行する機器への接続に Bluetooth を使用します。Bluetooth の信号は比較的近距离用で、部屋の間の仕切りによって妨げられる場合があるので、セットアップ中は、Formation Flex を Bowers & Wilkins Home アプリを実行する機器のすぐ近くに置いておくことをお勧めします。

・ Bowers & Wilkins Home アプリは、セットアップモードで最初に Formation 製品を検出し、画面に表示された製品の中から 1 つを選ぶように促します。[Formation Flex] をタップして選択します。既に Formation 製品をセットアップ済みで、これに追加する場合は、アプリの [設定] メニューから [Formation 製品を追加する] を選択します。

・ 次に、Bowers & Wilkins Home アプリが、Formation Flex をご使用になる Space に名前を付けるように促します。デフォルトで Space 用の名前が提供されますが、ご自分で名前を作ることもできます。Space の名前を選択するか、名前を作成すると、Formation Flex の上面にある Form ボタン をタッチして、選択を確認するようにアプリが促します。

・ Formation Flex にワイヤレスネットワーク接続をご使用になる場合は、次のセットアップ段階で、Formation Flex をご自宅の Wi-Fi ネットワークに接続します。アプリは、正しい Wi-Fi ネットワークを確認し、そのネットワークのパスワードを入力するように促します。Formation Flex が Ethernet ケーブルを使ってネットワークに接続されている場合は、セットアップのこの段階は省略されます。

ご注意：他の Formation 製品が既に Wi-Fi ネットワークに接続されている場合は、Formation Flex のセットアップで Wi-Fi のパスワードを入力する必要はありません。

・ Wi-Fi ネットワークの構成と Space の選択を完了します。これで、Formation Flex をご使用になる準備が整いました。Formation Flex のセットアップに成功したことを確認する音声ガイドが聞こえます。

**Bluetooth のセットアップ**

Formation Flex をスマートフォンなどの Bluetooth 対応のオーディオソース機器に接続して、Bluetooth を使ってオーディオを再生することができます。最初に、Formation Flex を Bluetooth オーディオソース機器と「ペアリング」しなければなりません。

Formation Flex のネットワークセットアップが完了したら、Bowers & Wilkins Home アプリの [設定] ページを開き、Bluetooth 機器とペアリングしたい Formation Space を選択します。次に、Bluetooth メニューから [+ 新しい機器をペアリングする] を選択し、アプリの指示に従ってペアリングを完了します。Formation Flex のペアリングが完了すると、確認の音声ガイドが聞こえ、その Space が、オーディオ再生用にペアリングされた Bluetooth 機器で使用可能になります。

ご注意：Formation Space では、Space ごとに Bluetooth 機器を最大 8 台まで同時にペアリングできますが、機器は、ペアリングされた Space への自動的な接続と再生は行いません。

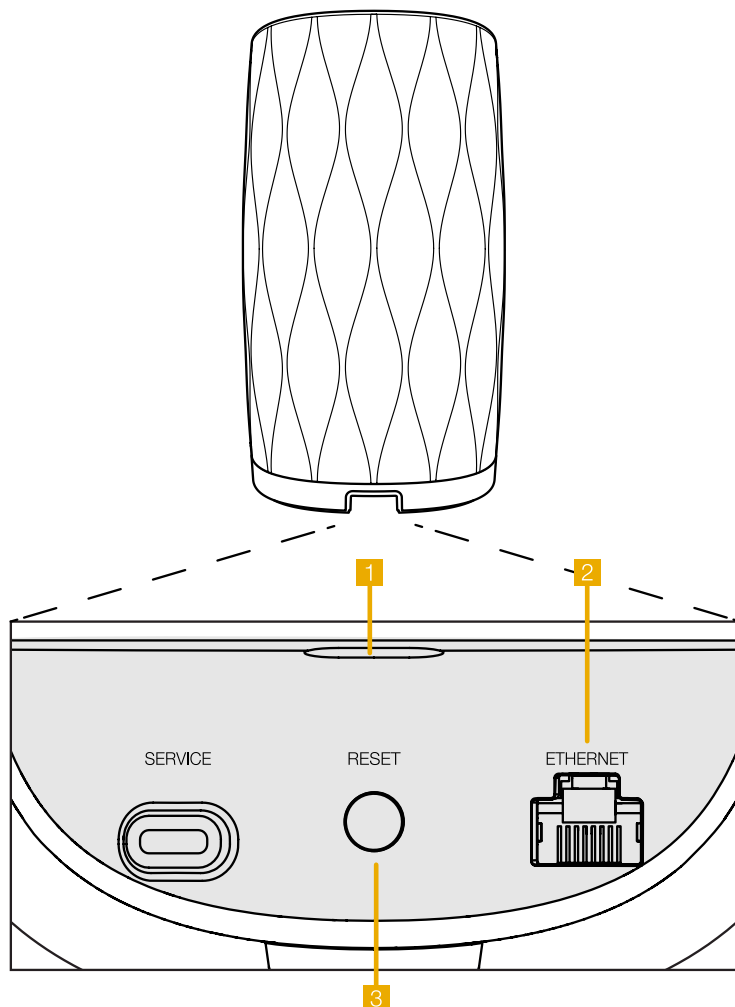


図3  
Formation Flex 接続パネル



### 3. Formation Flexを使う

#### 基本操作

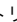
Formation Flexを使って、Spotify、Apple Music、Tidalなどのストリーミングサービス、Roonミュージックライブラリサービス、そして適切なiRadioアプリを使ってインターネットラジオから、オーディオを再生できます。Formation Audioなどの他のFormation機器がお使いのネットワークに接続されている場合は、そのFormation機器に接続されている従来のオーディオソースをFormation Flexに使うこともできます。

#### Space

「Space」は、Formation製品ファミリーの中核となるコンセプトです。Formationの「Space」は、音楽を聴く、自宅の中の部屋や特定のエリアのことです。Spaceごとに、異なるFormation製品を組み合わせることができます。可能な構成は図4をご参照ください。

#### オーディオの再生

Bowers & Wilkins Homeアプリを使って、利用可能なオーディオソースまたはストリームを選択・再生することができます。ただし、従来のオーディオソースの再生開始に再生コマンドが必要なのと同じように、Formationでのストリーム再生も、最初に、Spotifyアプリや、Roonなどのミュージックライブラリのようなゲートウェイアプリを使って開始しなければなりません。各ゲートウェイアプリまたはライブラリアプリは、Formation FlexのSpaceを、AirPlayやBluetoothを使って、あるいはSpotifyの場合はSpotify Connectを使って使用可能な再生機器として、リストアップします。

オーディオストリームがFormationネットワークで再生されると、Bowers & Wilkins HomeアプリまたはFormation FlexのトップパネルのFormボタンを使って、オーディオストリームを選択できます。Formボタンをタッチすると、利用可能なストリーミングサービスやソースを繰り返し表示します。


#### Formation Flex トップパネルコントロール

Formation Flexのトップパネルにはタッチボタンがあり、再生/一時停止コントロール、音量調整、ソース/ストリームの選択を行うために使用します。

- ・ [再生/一時停止] にタッチすると▶||、オーディオの停止と再生を交互に繰り返します。

ご注意：再生/一時停止は、Bluetoothまたはネットワーク接続を介してアクセスできるストリームソースに、再生/一時停止機能のある場合に限り操作できます。

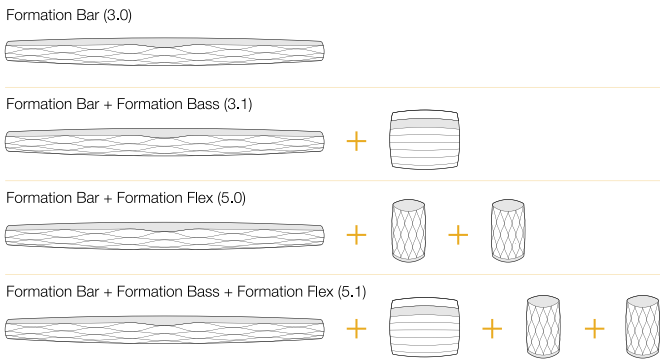
- ・ 音量を上げる+ または下げる- にタッチすると、ネットワークのストリーム再生またはローカルソースのローカル音量を調整します。+ボタンや-ボタンを押し続けると、音量が連続して上昇または低下します。

- ・ Formボタンにタッチすると、Formation Flexで利用可能なアクティブストリームとソースを繰り返し再生します。

#### Form ボタンのライト

Formation Flex Form ボタンのライトは、様々なステータスを示すために変化します。ライトが示すステータスについては図5をご参照ください。

#### TV用Spaceの構成



#### 音楽用Spaceの構成

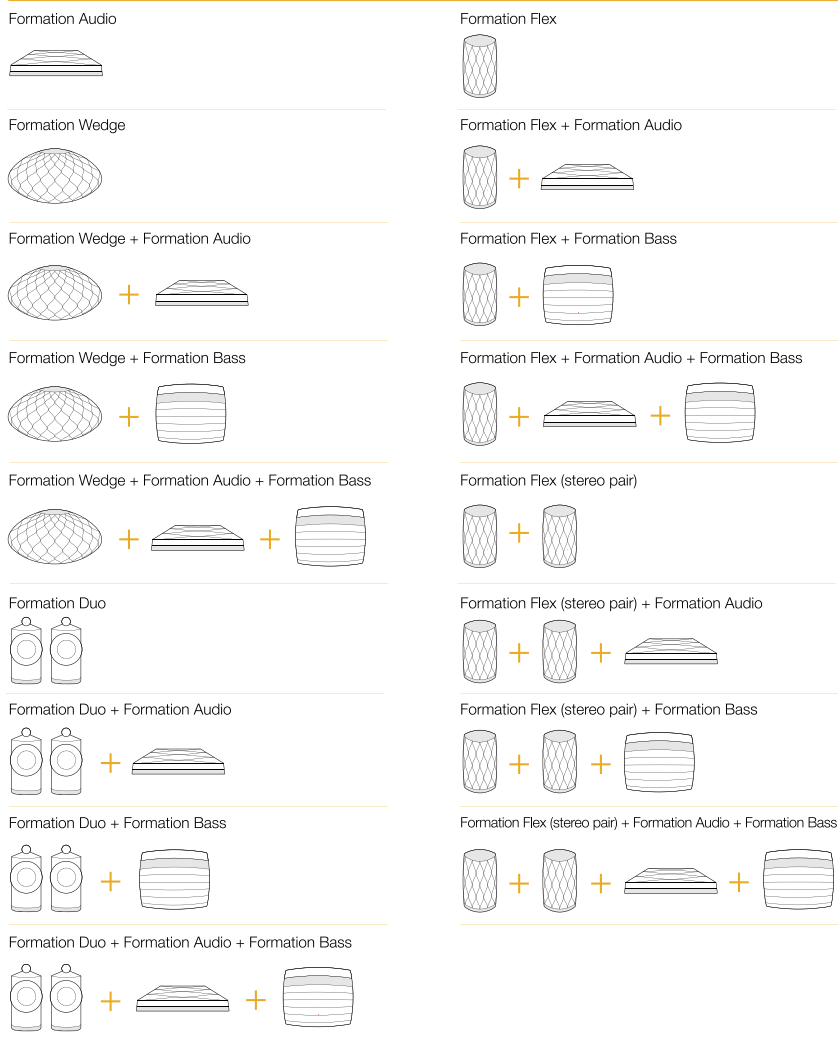


図4 Spaceの構成



## 4. Bowers & Wilkins Home アプリ

Formation Flexが構成され、ネットワークに接続されると、Bowers & Wilkins Homeアプリのホーム画面が開き、Formation Flex Spaceと、使用可能な他のFormation Spaceのリストが表示されます。

Formation Spaceの1つをタップして、利用可能なストリームや入力を選択します。利用できるストリームがない場合は、Spotifyなどのストリーミングアプリを開き、再生するアイテムを選び、使用できる再生機器のリストの中から、[Formation Space]を選択します。これで、Bowers & Wilkins Homeアプリに戻ると、SpotifyのストリームがFormation FlexのSpaceページに表示されます。

Bowers & Wilkins Homeアプリのホームページの右上隅に[設定]アイコンがあります。このアイコンをタップして、アプリの[設定]メニューを開きます。[設定]メニューには、Formation機器の構成とリセット、Formation Spaceの名前の変更のオプションがあります。アプリとFormation機器のファームウェアのアップデートも、[設定]メニューから開始します。

### Bowers & Wilkins Homeアプリの使い方

Bowers & Wilkins Homeアプリを開くと、利用できるFormation Spaceをアプリが検出し、そのリストをホームページに表示します。

このアプリでは、各Spaceの下に、そのSpaceの現在のアクティビティが表示されます。アクティブなSpaceをタップすると、[再生中]の画面が開き、音量と再生/一時停止をコントロールできます。

[再生中]画面では、[使用可能なSpace]オプションも利用でき、これを使って、選択されたSpaceで再生中のストリームを別のSpaceで再生する、あるいは複数のSpaceで再生することができます。[使用可能なSpace]画面では、すべてのSpace全体の、あるいは個々のSpaceの音量をコントロールすることもできます。

Bowers & Wilkins Homeアプリの[設定]ページは、[設定]アイコンをタップして開きます。最初の[設定]メニューでは、各Spaceのリストと、それぞれのSpaceにあるFormation機器の数が表示されます。

[設定]メニューのリストにある1つのSpaceをタップすると、そのSpaceとFormation機器の設定にアクセスします。Spaceの名前をタップして、Spaceの設定にアクセスし、機器の名前をタップして、機器の設定にアクセスします。使用可能な機器の設定は、当該機器によって異なります。

**ご注意**：Bowers & Wilkins Homeアプリの[設定]アイコンが黄色の点を表示している場合は、Formationファームウェアのアップデートが可能なことを示しています。ファームウェアのアップデートプロセスは、[設定]メニューから開始します。Bowers & Wilkins HomeアプリとFormation機器は、最新版のファームウェアを使って常に最新の状態に保つようになっています。これは、最も信頼性のあるパフォーマンスだけでなく、新しいFormationの機能を確実に利用できるようにするためです。

## 5. Formation ミュージックストリームとソース

### Spotify を使う

スマートフォンやタブレット、コンピューターを、Spotifyのリモートコントロールとして使えます。詳細はspotify.com/connectをご覧ください。

Spotifyソフトウェアは、次のサイトに掲載されたサードパーティのライセンスが適用されます。https://www.spotify.com/connect/third-party-licenses

### AirPlay を使う

AirPlayを使うと、Appleのモバイル機器、ノートパソコン、デスクトップパソコンにあるオーディオアプリから、ネットワークを使って、Formation FlexのようなAirPlay対応のスピーカーにストリーミング再生することができます。AirPlay対応のアプリには、AirPlayアイコンが表示されます。

AirPlayを使うには、ご希望のオーディオアプリを開き、再生したいミュージックを選びます。AirPlayアイコンをタップして、使用可能な機器のリストを表示し、次に、ご使用になりたいFormation Spaceを選びます。

**ご注意**：AirPlayを使って複数の機器で同時にオーディオをストリーム再生することは可能ですが、再生の質や同期は、ご家庭のネットワークの最大能力によって異なります。2つ以上のFormation Spaceで同時に再生したい場合は、Bowers & Wilkins Homeアプリで複数のSpaceを選択すると、同期を著しく向上させることができます。

### Roon を使う

Roonは、多様な機能を備えたミュージックライブラリを持つ再生アプリで、お使いのネットワークで利用可能なすべてのミュージックファイルをもとめ、すべてのFormation Spaceや、Roon対応の他のオーディオ機器で簡単に再生できるようにします。Roonは、モバイル機器、ノートパソコン、デスクトップパソコンなどの機器で利用できます。

Roonを開けると、メタデータやアートワークを含めた完全なオーディオライブラリ、すべてのFormation Space、ネットワーク上の利用できる他のオーディオ機器を表示します。再生したいミュージックと、そのミュージックを聴きたいFormation Spaceを選ぶだけです。

**ご注意**：Roonを使って複数の機器で同時にオーディオをストリーム再生することは可能ですが、再生の質や同期は、ご家庭のネットワークの最大能力によって異なります。2つ以上のFormation Spaceで同時に再生したい場合は、Bowers & Wilkins Homeアプリで複数のSpaceを選択すると、同期を著しく向上させることができます。

## Bluetooth を使う

Bluetoothを使うと、モバイル機器、ノートパソコン、デスクトップパソコンのオーディオアプリから、ワイヤレス接続で、Formation FlexなどのBluetooth対応のハードウェアにストリーミング再生することができます。

Bluetoothを使うには、必要なFormation Spaceがお持ちの機器のBluetooth設定メニューで選択されていることを確実にして、ご希望のオーディオアプリを開き、再生したいミュージックを選択します。再生機器のアイコンをタップして、使用可能な機器のリストを表示し、次に、ご希望のFormation Spaceを選びます。

## 6. クリーニング

Formation Flexをクリーニングする必要がある場合は、清潔な、毛玉のないクロスで上面部を拭き、柔らかなブラシでグリルのほこりを払います。洗浄液を使う場合は、清潔なクロスに塗布してから使用し、Formation Flexに直接塗布しないでください。クリーナーによっては製品の表面に損傷を与える可能性がありますので、最初に目立たない場所で試してください。研磨剤や、酸、アルカリ、抗菌剤を含むクリーナーは使用しないでください。

## 7. サポート

お使いのFormation Flexに関してお困りの点やアドバイスが必要な場合は、以下のFormationサポートサイトをご覧くださいwww.bowerswilkins.com/support。

### 環境情報

本製品は、「電気・電子機器に含まれる特定有害物質の使用制限に関する欧州議会及び理事会指令 (RoHS指令)」、「化学物質の登録、評価、認可及び制限に関する規制 (REACH規則)」、並びに「電気・電子機器廃棄物指令 (WEEE指令)」を含むがこれらに限定されない国際的な指令に準拠しています。本製品のリサイクルまたは適切な廃棄方法については、お住まいの地域の廃棄物処理局にお問い合わせください。

インジケーター	ステータス
白色の点滅	スタートアップが進行中
オレンジ色のパルス点滅	セットアップの準備完了
オレンジ色の点滅	ファームウェアのアップデート中
白色のパルス点滅	オーディオのブル配信が進行中
赤色のパルス点滅	エラーサポートに連絡してください
赤色の点灯	エラーサポートに連絡してください
赤色の点滅	出荷時設定へのリセットが進行中

図5  
Formボタンのライト

## Welcome to Bowers & Wilkins and Formation Flex.

Formation 제품을 구매하여 주셔서 감사합니다. Bowers & Wilkins의 창립자 John Bowers는 가정에서 오디오의 즐거움을 느끼게 하는 중요 요소는 창의력이 풍부한 디자인, 혁신적 엔지니어링과 고도의 기술이라고 확신하였습니다. 그 신념은 현재도 Bowers & Wilkins가 디자인한 모든 제품에서 공유되고 있으며 Formation은 이를 가장 진보된 기술로 표현하고 있습니다.

Formation Flex는 네트워크에 연결하여 사용하는 무선 스테레오 액티브 스피커로서 Formation 오디오 스트림을 고음질로 재생합니다. Formation Flex는 Bowers & Wilkins Home 앱을 사용하여 컨트롤합니다. 이 앱은 iOS 및 Android 기기 모두에서 사용할 수 있습니다. 일반적으로 사용되는 일부 컨트롤 기능은 Formation Flex 전면 패널의 버튼을 통해 사용할 수도 있습니다. Bowers & Wilkins Home 앱을 통해서만 Formation Flex를 설치하고 구성할 수 있습니다.

Formation Flex는 아래와 같이 사용하실 수 있습니다:

- Spotify, Apple Music 및 Roon과 같은 스트리밍 서비스로 오디오 재생
- 네트워크에 저장된 오디오 파일 재생
- Bluetooth 소스 기기에서 Bluetooth를 통해 오디오 재생
- Formation Audio와 연결된 턴테이블(포노 프리앰프를 통해)이나 CD 플레이어와 같이 로컬로 연결된 기기의 오디오 재생
- Airplay 또는 Bluetooth 호환 서비스 및 앱에서 인터넷 라디오와 같은 오디오 재생.
- 집안 어디에서나 홈 네트워크에 연결된 모든 Formation 제품으로 오디오 재생.

Bowers & Wilkins Home 앱은 Formation Flex를 홈 네트워크에 연결하고 또다른 Formation 제품과 연결하기 위해 필요합니다. Bowers & Wilkins Home 앱은 사용 중의 일부 컨트롤이나 구성 기능을 제공합니다. Formation Flex 설치를 시작하기 전에 iOS 또는 Android 기기에 Bowers & Wilkins Home 앱을 다운로드하여 설치하십시오. Bowers & Wilkins Home 앱에는 iOS V11.4 이상 또는 Android V8.1 이상이 필요합니다. iOS 및 Android 기기에서 Bluetooth 및 WiFi 서비스가 활성화되어 있어야 합니다. 또한 WiFi 네트워크 비밀번호를 알아야 합니다.

*주의: Formation 설정 프로세스 중에 Android 기기는 위치 서비스를 사용하도록 설정해야 합니다. Formation 제품이 서비스 통신에 저전력 Bluetooth (BT-LE) 형태의 Bluetooth를 사용하기 때문에 위치 서비스가 활성화된 경우에만 Android 기기에서 켜집니다. Bowers & Wilkins는 마케팅 목적으로 위치 서비스 데이터를 사용하지 않습니다.*

## 1. Formation Flex 내용물

Formation Flex  
전원 케이블 세트  
설명서

## 2. Formation Flex 설치

Formation Flex는 싱글 모노 스피커나 스테레오 스피커 또는 5.1 홈시어터의 서라운드 리어 스피커로 다양하게 사용할 수 있습니다.

스테레오 스피커로 사용할 경우 Formation Flex 스피커 사이 간격은 최소 1m를 유지하고 리스닝 위치로 부터도 비슷한 거리를 유지해야 합니다. 좌우 스피커가 너무 가까우면 스테레오 스케일이 부족해지고 너무 떨어져 있으면 스테레오 포커스가 약해질 수 있습니다. 리스닝 위치를 향해 Formation Flex를 투우-인 시킬 필요는 없지만 투우-인 시킬 경우 스테레오 포커스가 강해질 수 있습니다. 그림1은 기본적인 스피커 위치를 나타냅니다.

5.1 홈시어터의 리어 스피커로 사용할 경우 Formation Flex는 그림 2와 같이 전면 센터 스피커에서 가능한 한 120도 가까이 위치해야 합니다.

Formation Flex는 전원 소켓과 가까이 있어야 하며 전원만 연결되면 작동할 수 있습니다. Formation Flex를 네트워크 라우터에 유선 연결하여 사용할 경우 이더넷 케이블 범위 내에 있어야 합니다.

선반에 Formation Flex를 설치할 경우 선반이 충분히 무게를 지탱할 수 있는지 확인하십시오.

대부분의 스피커와 마찬가지로 Formation Flex는 전방뿐만 아니라 측방과 후방으로도 소리를 방사합니다. Formation Flex를 룸의 코너나 벽에 가깝게 설치하면 저음이 과도하게 강화될 수 있습니다. Formation Flex의 저음이 너무 많아지면 설치 위치를 변경하든지 Bowers & Wilkins Home 앱 설정 메뉴를 통해 저음 레벨을 조절해야 합니다.

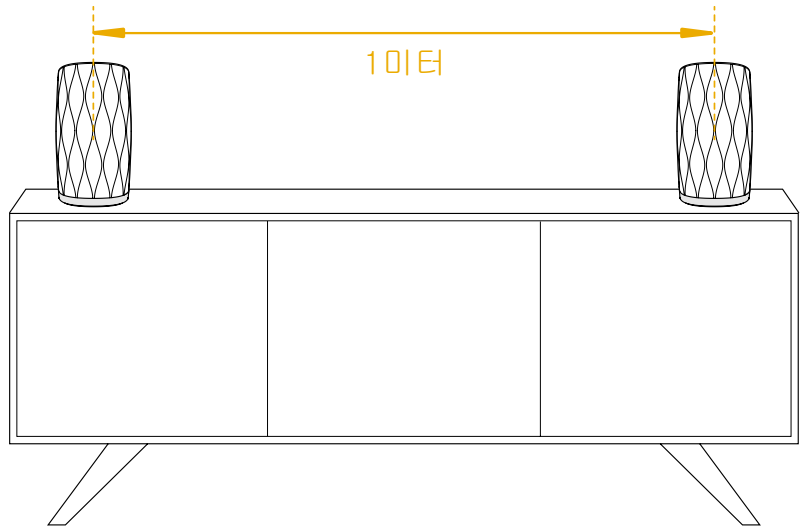


그림1  
스테레오 위치

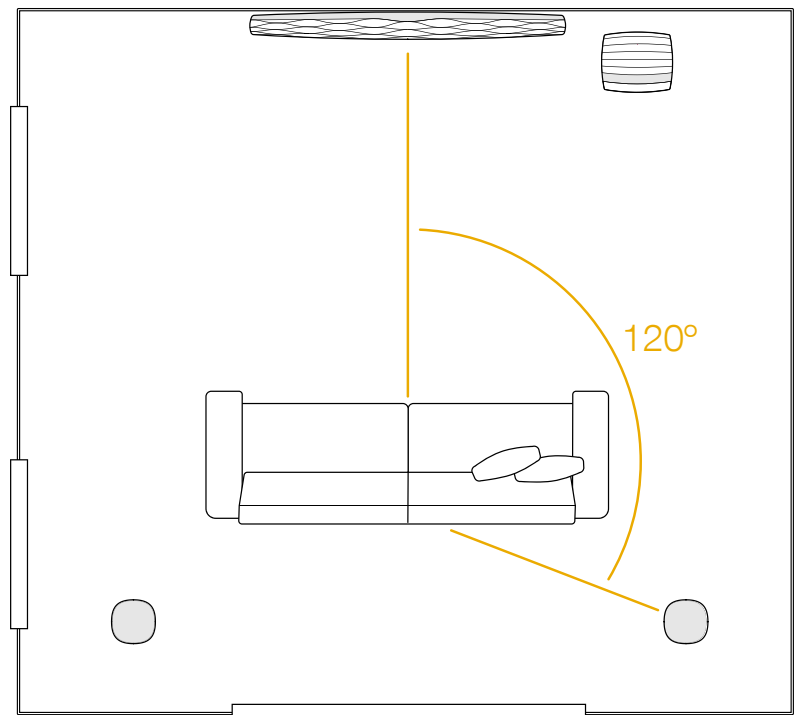


그림2  
홈시어터 위치

**연결**

전원 소켓 1 옆에 신호를 무선으로 수신(WiFi)하는 라우터를 유선으로 연결할 수 있는 이더넷 소켓 2 이 있습니다.

참고: Formation Flex 후면 패널에 있는 USB 소켓은 서비스 용도로만 사용됩니다. 다른 용도로는 사용할 수 없습니다.

**전원 On/Off**

모든 연결을 마치고 모바일 기기에 Bowers & Wilkins Home 앱이 설치되면 이제 Formation Flex를 설정하고 사용할 수 있습니다. Formation Flex에는 전원 스위치가 없으며 빠른 시작 절차에 따라 전원이 연결되는 즉시 작동합니다. 시작 절차가 완료되면 오디오 프롬프트가 재생됩니다.

최초로 Formation Flex를 켜면 홈 네트워크 및 사용 가능한 다른 Formation 기기에 연결할 수 있는 설정 모드로 자동 전환됩니다. 설정 모드는 스피커 Form 터치 버튼의 느린 호흡색 펄스 조명으로 표시됩니다. Formation Audio는 Bowers & Wilkins Home 앱의 시작 페이지에서 또는 설정 페이지에서 'Add Formation product'를 선택한 후 설정할 수 있습니다.

Formation Flex는 자동으로 작동 상태와 소비 전력이 관리되며 20분 이상 사용하지 않으면 절전 모드로 자동 전환됩니다. Formation Flex 전원을 끌 필요는 없지만 필요할 경우 전원 코드를 뽑으십시오. Formation Flex는 전원이 꺼져도 설정은 유지됩니다.

후면 패널에 위치한 리셋 버튼을 짧게 누르면 Formation Flex를 다시 시작할 수 있습니다 3. 버튼을 누르면 Formation Flex 전원이 꺼졌다 다시 켜집니다. Formation Flex가 다시 시작되어도 모든 설정은 유지됩니다. Bowers & Wilkins Home 앱 설정 페이지에서도 Formation Flex를 다시 시작할 수 있습니다.

Formation Flex를 기본 설정으로 재설정하려면 리셋 버튼을 5초 동안 누르십시오. 다시 시작하면 Formation Flex가 설정 모드로 들어갑니다. Formation Flex가 재설정되면 모든 설정이 삭제됩니다. Bowers & Wilkins Home 앱 설정 메뉴에서도 Formation Flex를 재설정 할 수 있습니다.

**네트워크 설정**

• Formation Flex가 설정 모드로 들어가면 Form 버튼이 주황색으로 느리게 깜빡입니다. iOS 또는 Android 기기에서 Bowers & Wilkins Home 앱을 시작하면 프롬프트가 설정 과정을 안내합니다.

참고: Formation Flex를 설정하는 동안 Bowers & Wilkins Home 앱은 Bluetooth로 실행됩니다. Bluetooth 신호는 도달 거리가 비교적 짧고 실내 구조에 의해 방해받을 수 있으므로 설정 중에는 Formation Flex와 Bowers & Wilkins Home 앱 기기를 가까이 두는 것을 권장합니다.

• Bowers & Wilkins Home 앱은 먼저 설정 모드에서 Formation 제품을 검색하고 하나를 선택하라는 화면을 표시합니다. Formation Flex를 선택하십시오. 이미 Formation 제품을 설정했으나 제품을 추가할 경우 앱 설정 메뉴에서 'Add Formation product'를 선택하십시오.

• Bowers & Wilkins Home 앱은 다음으로 Formation Flex를 사용할 "space"의 이름 설정으로 넘어갑니다. 기본 등록된 이름 목록이 제공되지만 직접 만들 수도 있습니다. 이름을 선택하거나 만들면 앱에서 Formation Flex 앞면의 Form 버튼을 터치하여 선택을 확인하라는 메시지를 표시합니다.

• Formation Flex의 무선 네트워크 연결을 사용하려면 다음 설정 단계에서 Formation Flex를 홈 WiFi 네트워크에 연결하십시오. 앱에서 WiFi 네트워크를 확인하라는 메시지가 표시되고 비밀번호를 입력하라는 메시지가 표시됩니다. 이더넷 케이블을 사용하여 Formation Flex를 네트워크 라우터에 연결할 경우, 이 설정 프로세스 단계는 생략됩니다.

참고: WiFi 네트워크에 이미 다른 Formation 제품이 연결되어 있으면 Formation Flex 설정에서 WiFi 비밀번호를 입력하지 않아도 됩니다.

• WiFi 네트워크 구성 및 스페이스 선택이 완료되면 Formation Flex를 사용할 수 있습니다. Formation Flex의 설정이 완료되면 오디오 프롬프트가 재생됩니다.

**블루투스 설정**

Formation Flex를 스마트 폰과 같은 Bluetooth 지원 오디오 소스 기기에 연결하여 Bluetooth를 통해 오디오를 재생할 수 있습니다. Formation Flex는 먼저 Bluetooth 오디오 소스 기기와 "페어링" 되어야합니다.

Formation Flex 네트워크 설정을 완료하면 Bowers & Wilkins Home 앱 설정 페이지를 열고 Bluetooth 기기와 페어링 할 Formation 스페이스를 선택하십시오. 다음 블루투스 메뉴에서 '+ Pair a new device'를 선택하고 앱 안내에 따라 페어링을 완료합니다. 페어링이 완료되면 Formation Flex에서 오디오 프롬프트가 나오고 페어링 된 Bluetooth 기기에서 해당 스페이스를 사용하여 오디오를 재생할 수 있습니다.

참고: 각 Formation 스페이스에 최대 8 개의 Bluetooth 기기를 동시에 페어링 할 수 있지만 기기는 페어링 된 스페이스에 자동으로 연결되지 않습니다.

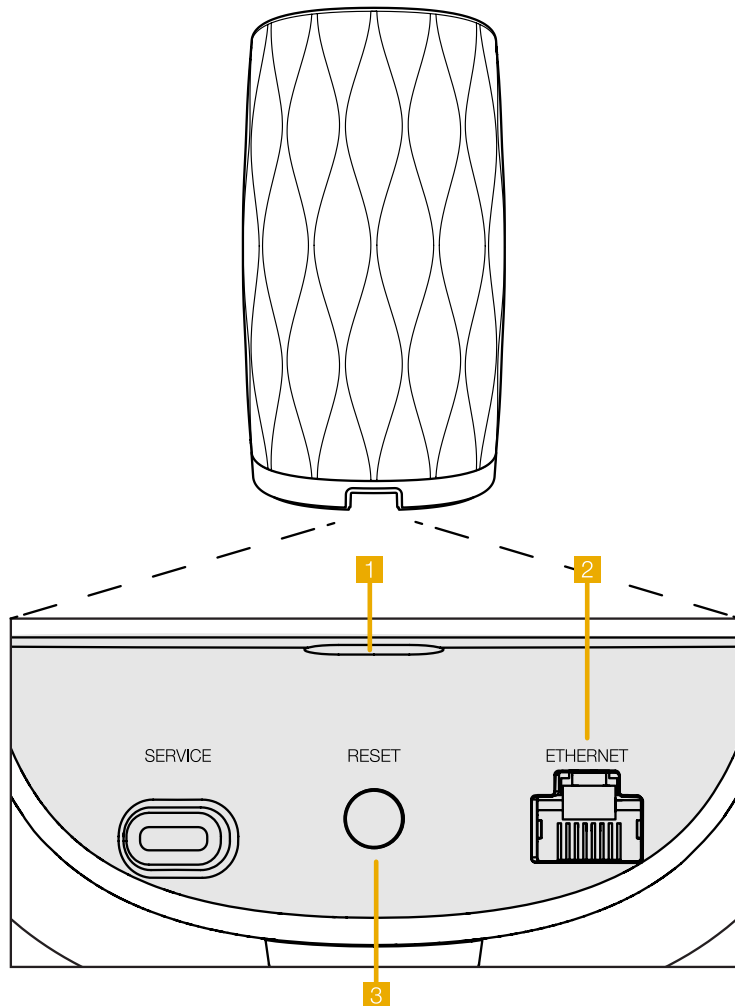


그림3 Formation Flex 연결 패널



### 3. Formation Flex 사용하기

#### 기본

Formation Flex를 사용하여 TV 오디오나 Spotify, Apple Music, Tidal과 같은 스트리밍 서비스, Roon 뮤직 라이브러리 서비스, 적절한 iRadio 앱을 통한 인터넷 라디오 등을 재생할 수 있습니다. 다른 Formation 제품, 예를 들면 일반 오디오 소스가 연결된 Formation Audio가 동일한 네트워크에 연결이 되어 있으면 Formation Flex를 통해 오디오를 재생할 수 있습니다.

#### Spaces

스페이스는 Formation의 핵심 컨셉입니다. Formation "Space"는 음악을 들을 수 있는 룸이나 특정 공간입니다. 각 스페이스에는 서로 다른 제품을 조합할 수 있습니다. 그림 4에 가능한 구성을 표시하였습니다.

#### 오디오 재생


Bowers & Wilkins Home 앱을 사용하면 오디오 소스나 스트림을 선택하여 재생할 수 있습니다. 그러나 기존 오디오 소스를 재생하려면 재생 명령을 통해 시작해야 하는 것처럼 Formation 스트림도 자체 게이트웨이 앱 (예: Spotify 앱 또는 Roon과 같은 뮤직 라이브러리 앱)을 통해 시작해야 합니다. 각 게이트웨이 또는 라이브러리 앱은 Airplay, Bluetooth를 사용하는 재생기거나 Spotify의 경우 Spotify Connect로 Formation Flex 스페이스가 표시됩니다.

#### Formation Flex 상단 패널 컨트롤 및 조명

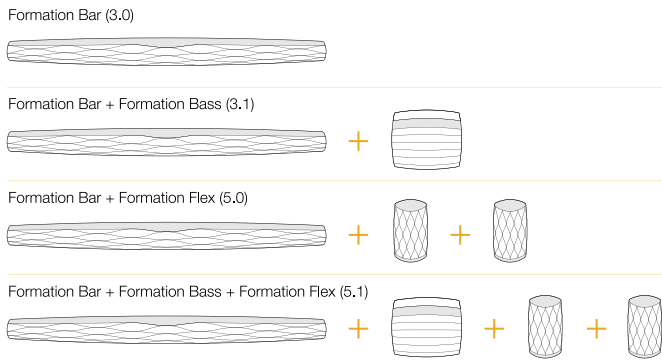
Formation Flex의 상단 패널에는 재생/일시 정지, 볼륨 조절, 소스/스트림 선택을 할 수 있는 터치 버튼이 있습니다.

- 재생/일시정지를 ▶|| 터치하면 오디오 정지, 재생을 반복합니다.

**참고:** 재생/일시정지는 Bluetooth 또는 네트워크 연결을 통해 액세스할 수 있는 스트림 소스에 재생 및 일시정지 기능이 있는 경우에만 동작합니다.

- 볼륨 업 또는 다운 버튼을 터치하면 네트워크 스트림이나 로컬 소스의 로컬 볼륨이 조정됩니다. 버튼을 길게 누르면 볼륨이 계속 증가하거나 감소합니다.
-  Form 버튼을 터치하면 Formation Flex에서 사용할 수 있는 활성 스트림과 소스를 순환하여 재생합니다.

#### TV 스페이스 설정



#### 뮤직 스페이스 설정

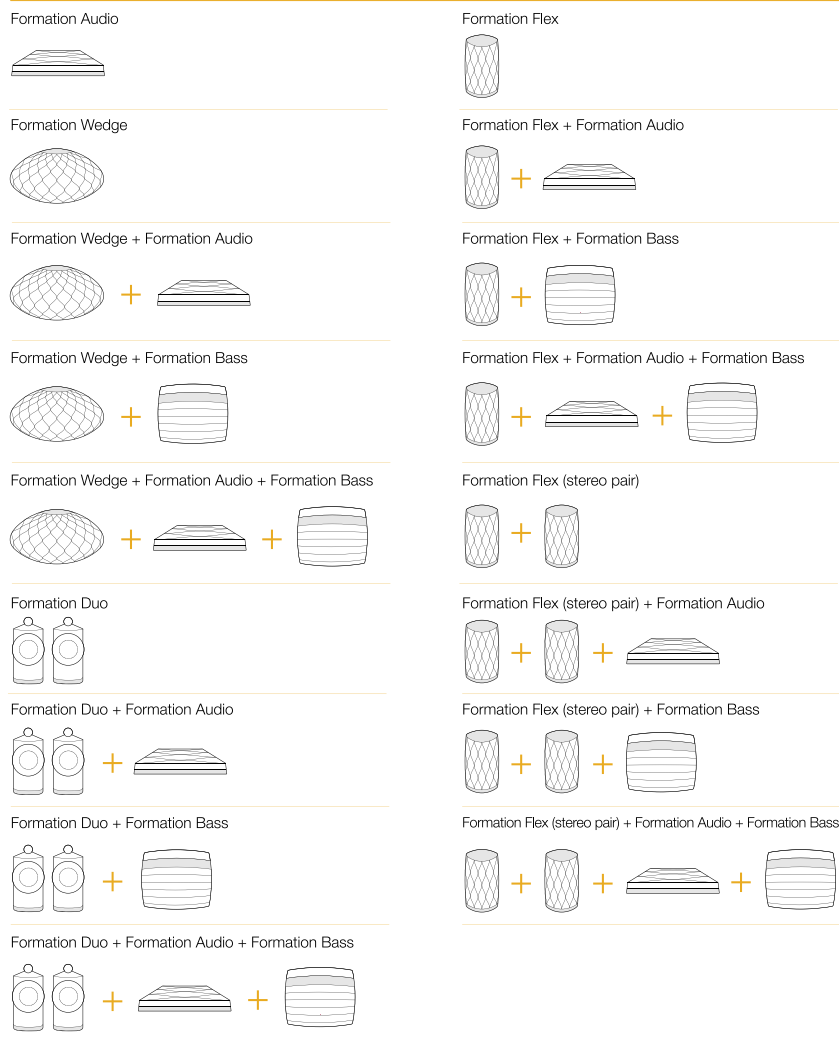


그림 4 스페이스 설정



### Form 버튼 조명

Formation Flex Form 버튼 조명은 다양한 동작 상태에 따라 그림 5처럼 변경됩니다.

## 4. The Bowers & Wilkins Home 앱

Formation Flex를 구성하고 네트워크에 연결하면 Bowers & Wilkins Home 앱이 홈 화면에 열리고 Formation Flex 스페이스와 사용 가능한 다른 Formation 스페이스가 표시됩니다.

Formation 스페이스를 눌러 스트림 또는 입력을 선택하십시오. 사용 가능한 스트림이 없을 경우 스트리밍 앱을 열고 (예: Spotify) 재생할 항목을 선택한 다음 사용 가능한 재생 장치 목록에서 Formation 스페이스를 선택하십시오.

이제 Bowers & Wilkins Home 앱으로 돌아오면 Spotify 스트림이 Formation Flex 스페이스 페이지에 표시됩니다. Bowers & Wilkins Home 앱 홈 페이지의 오른쪽 상단에 설정 아이콘이 있습니다. 아이콘을 누르면 앱 설정 메뉴가 열립니다. 설정 메뉴는 Formation 기기를 구성 및 재설정하고 Formation 스페이스의 이름을 바꾸는 옵션을 제공합니다. 앱 및 Formation 기기 펌웨어 업데이트도 설정 메뉴에서 시작합니다.

### Bowers & Wilkins Home 앱 사용하기

Bowers & Wilkins Home 앱을 열면 사용 가능한 Formation 스페이스를 검색한 후 스페이스가 나열된 홈 페이지를 표시합니다.

각 스페이스 아래에 앱이 현재 액티비티를 표시합니다. 액티브 스페이스를 누르면 'now playing' 화면이 열리고 볼륨과 재생/일시정지 컨트롤이 가능합니다.

'now playing' 화면에는 선택한 공간에서 재생되는 스트림을 다른 스페이스로 전송하거나 여러 스페이스에서 재생할 수 있는 'Available Spaces' 옵션도 있습니다. 'Available Spaces' 화면에서는 모든 스페이스나 개별 스페이스의 볼륨을 컨트롤 할 수 있습니다.

설정 아이콘을 누르면 Bowers & Wilkins Home 앱 설정 페이지가 열립니다. 초기 설정 메뉴에는 각 스페이스와 각 스페이스에 있는 Formation 기기 수가 표시됩니다.

설정 메뉴에 표시된 스페이스를 누르면 해당 스페이스와 Formation 기기 설정에 액세스 할 수 있습니다. 스페이스 이름을 눌러 스페이스 설정에 액세스하고 기기 이름을 눌러 기기 설정에 액세스하십시오. 사용 가능한 기기 설정은 해당 기기에 따라 다릅니다.

*참고: Bowers & Wilkins Home 앱의 설정 아이콘에 노란색 점이 표시되면 이는 Formation 펌웨어 업데이트가 가능하다는 것을 나타냅니다. 펌웨어 업데이트는 설정 메뉴에서 시작합니다. 항상 Bowers & Wilkins Home 앱과 Formation 기기를 최신 버전 및 펌웨어 상태로 유지해야 합니다. 이렇게 하면 가장 안정적인 성능을 보장할 수 있을 뿐만 아니라 새로운 Formation 기능을 활용할 수 있습니다.*

## 5. Formation 뮤직 스트림 및 소스

### Spotify

휴대 전화, 태블릿 또는 컴퓨터를 Spotify용 리모컨으로 사용하십시오. 사용 방법을 알아보려면 [spotify.com/connect](https://spotify.com/connect)로 이동하십시오.

Spotify 소프트웨어는 <https://www.spotify.com/connect/thirdparty-licenses>에 있는 써드 파티 라이선스의 적용을 받습니다.

### Airplay

Airplay를 사용하면 Apple 모바일, PC의 오디오 앱이 네트워크를 통해 Formation Flex와 같은 Airplay 호환 기기로 음악을 스트리밍 할 수 있습니다. Airplay 지원 앱은 Airplay 아이콘이 표시됩니다.

Airplay를 사용하려면 오디오 앱을 열고 재생하려는 음악을 선택하십시오. Airplay 아이콘을 누르면 사용 가능한 기기 리스트와 사용하려는 Formation Space가 표시됩니다.

*참고: Airplay를 사용하여 여러 기기에서 동시에 오디오를 스트리밍 할 수 있지만 재생 음질과 동기화는 홈 네트워크의 성능에 따라 달라질 수 있습니다. 하나 이상의 Formation 스페이스에서 동시에 재생할 경우 Bowers & Wilkins Home 앱에서 여러 스페이스를 선택하여 동기화를 대폭 향상시킬 수 있습니다.*

### Roon

Roon은 풍부한 기능의 음악 라이브러리 및 재생 앱으로 네트워크에서 사용 가능한 모든 음악 파일을 컴파일하고 모든 Formation 스페이스 및 기타 Roon 지원 오디오 기기에서 쉽게 재생할 수 있게 해줍니다. Roon은 모바일과 PC에서 사용할 수 있습니다.

Roon을 열면 메타 데이터 및 아트 워크를 포함한 전체 오디오 라이브러리를 모든 Formation Space 및 기타 사용 가능한 네트워크 오디오 기기와 함께 표시됩니다. 재생할 음악과 듣고 싶은 Formation 스페이스만 선택하면 됩니다.

*참고: Roon을 사용하여 여러 기기에서 오디오를 동시에 스트리밍 할 수 있지만 재생 음질과 동기화는 홈 네트워크의 성능에 따라 달라질 수 있습니다. 하나 이상의 Formation 스페이스에서 동시에 재생할 경우 Bowers & Wilkins Home 앱에서 여러 스페이스를 선택하여 동기화를 대폭 향상시킬 수 있습니다.*

## Bluetooth

Bluetooth를 사용하여 모바일, PC의 오디오 앱이 무선으로 Formation Flex와 같은 호환 가능한 하드웨어로 음악을 스트리밍 할 수 있습니다.

Bluetooth를 사용하려면 Bluetooth 기기의 설정 메뉴에서 필요한 Formation 스페이스가 선택되어 있는지 확인한 후 오디오 앱을 열고 재생하려는 음악을 선택하십시오. 재생 기기 아이콘을 누르면 사용 가능한 기기 리스트와 사용하려는 Formation Space가 표시됩니다.

## 6. 클리닝

Formation Flex를 청소해야 할 경우 깨끗하고 보풀이 없는 천으로 윗면을 닦고 그릴은 부드러운 브러시를 사용하십시오. 클리너를 사용하고자 할 경우에는 Formation Flex에 직접 뿌리지 말고 부드러운 천에 뿌려 사용하십시오. 클리너가 표면에 손상을 주지 않는지 먼저 부분 테스트를 통해 확인하십시오. 연마성이 있거나 산, 알칼리, 향균제를 함유한 제품은 사용하지 마십시오.

## 7. 지원

Formation Flex에 대한 추가적으로 도움이나 조언이 필요하면 [www.bowerswilkins.com/support](http://www.bowerswilkins.com/support)의 Formation 지원 사이트를 참고하십시오.

### 환경 정보

이 제품은 전기 및 전자 장비의 유해물질 사용제한지침(RoHS), 화학물질관리제도(REACH) 및 폐전기전자제품처리지침(WEEE)에 대응하여 설계되어 있습니다. 포장재나 제품을 폐기할 경우 재활용 가능 자원의 분리 배출요령에 따라 수거하여 주십시오.

표시등	동작 상태
백색 점멸	시작 진행
노랑색 펄스	셋업 준비
노랑색 점멸	펌웨어 업데이트 진행
백색 펄스	오디오 폴 진행
적색 펄스	에러 - 도움말
적색 점등	에러 - 도움말
적색 점멸	초기화 진행

그림 5  
Form 버튼 조명



## مرحبًا بكم في باورز آند ويلكنز وجهاز فورميشن فليكس

نشكركم على اختيار فورميشن، عندما قام جون باورز بتأسيس باورز آند ويلكنز لأول مرة كان ذلك نابعًا من إيمانه بأن التصميم التخلي والهندسة المبتكرة والتكنولوجيا المتقدمة هي المفاتيح التي يمكنها اختراق باب الاستمتاع بالصوت في المنزل، ولا يزال هذا الاعتقاد يلهم كل منتج نقوم بتصميمه حيث يتجلى بأفضل صورة له في فورميشن.

وجهاز فورميشن فليكس هو شبكة متصلة و مكبرات صوت لاسلكي نشط مما يمكن من تشغيل مصدر صوت بأداء عالي الجودة التي ينتجها جهاز فورميشن فليكس. ويهدف جهاز فورميشن فليكس في الأساس إلى أن يتم ضبطه والتحكم به عن طريق تطبيق باورز آند ويلكنز المنزلي، وهذا التطبيق متاح لأجهزة الأندرويد وأي أو إس، كما توجد بعض وظائف التحكم شائعة الاستخدام والمتاحة عن طريق أزرار اللمس على اللوحة العلوية لجهاز فورميشن فليكس. ومن الممكن تركيب جهاز فورميشن فليكس وضبطه باستخدام تطبيق باورز آند ويلكنز المنزلي فحسب.

يتيح لك جهاز فورميشن فليكس القيام بالآتي:

- الاستماع إلى ملفات صوتية من خدمات البث، مثل: سبوتيفاي، وأبل ميوزك، و روين.
- الاستماع إلى ملفات صوتية مخزنة على الشبكة.
- الاستماع إلى ملفات صوتية عن طريق البلوتوث من أجهزة بها مصدر بلوتوث مفعّل على النحو المناسب.
- الاستماع إلى ملفات صوتية من أجهزة مثل أجهزة تشغيل الأسطوانات (عن طريق مضخم متقدم للصوت) ومشغلات الأقراص والمتصلة بأجهزة صوت فورميشن من باورز آند ويلكنز.
- الاستماع إلى ملفات صوتية، مثل راديو إنترنت، عن طريق تطبيق آيربلدي أو أجهزة وتطبيقات متوافقة مع البلوتوث.
- الاستماع إلى ملفات صوتية تقوم بتشغيلها في منزلك على أي جهاز من فورميشن متصل بشبكتك المنزلية.

تطبيق باورز آند ويلكنز لازم لتوصيل جهاز فورميشن فليكس الخاص بك بشبكتك المنزلية وتوصيله بأي منتجات فورميشن الأخرى في منزلك، كما يوفر تطبيق باورز آند ويلكنز المنزلي بعضًا من وظائف التحكم والضبط أثناء الاستخدام، وقبل أن تبدأ في تركيب جهاز فورميشن فليكس يُرجى تحميل تطبيق باورز آند ويلكنز المنزلي وتثبيته على جهاز الأندرويد أو أي أو إس الخاص بك، ويتطلب تطبيق باورز آند ويلكنز المنزلي نسخة أي أو إس 11.4 أو نسخة أحدث منها أو نسخة أندرويد 8.1 أو نسخة أحدث منها، كما عليك أن تعلم كلمة المرور إلى شبكة الواي فاي الخاصة بك.

*ملحوظة: يجب أن تفعيل خدمات الموقع على أجهزة الأندرويد أثناء عملية ضبط جهاز فورميشن، وهذا لأن منتجات فورميشن تستخدم بلوتوث منخفض الطاقة (BT-LE) لتوصيل الخدمة والتي يتم تشغيلها على أجهزة الأندرويد عند تفعيل خدمات الموقع فحسب، وشركة باورز آند ويلكنز لا تستخدم أي من بيانات خدمات الموقع لأغراض تسويقية.*

## 1. محتويات علبة جهاز فورميشن فليكس

جهاز فورميشن فليكس  
مجموعة من كابلات الطاقة الكهربائية الرئيسية الملائمة  
لمنطقتك  
حزمة الوثائق

## 2. تركيب جهاز فورميشن فليكس الخاص بك

يمكن استخدام جهاز فورميشن فليكس في مجموعة من  
المواقف - كمكبر صوت أحادي، أو كزوج ستريو مدمج، أو  
كمكبرات صوت محيطية خلفية في المسرح المنزلي 5.1.

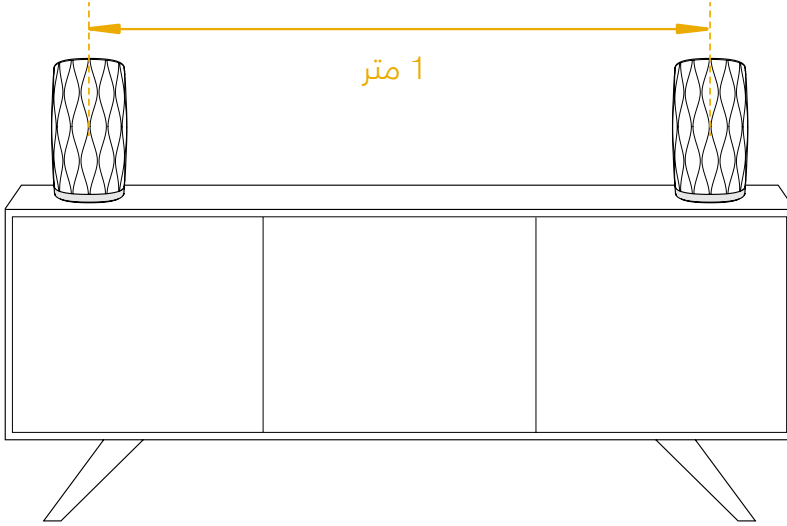
عند استخدامه كزوج ستريو، يجب أن يكون جهاز فورميشن  
فليكس الخاص بك متباعدًا بمسافة 1 متر (3 أقدام) على الأقل  
ومسافة مماثلة من منطقة الاستماع. إذا تم وضع السماعات  
بالقرب من بعضها البعض، فقد يُضعف تكرار صوت ستريو  
مدى وصول الصوت. إذا كانت المسافة بعيدة جدًا فقد يكون  
تركيز صوت ستريو ضعيفًا. ليس هناك حاجة لتوجيه زاوية جهاز  
فورميشن فليكس إلى الداخل نحو منطقة الاستماع ولكن  
القيام بذلك قد يؤدي إلى اختناق تركيز صوت ستريو. يوضح  
الشكل 1 وضع مكبر الصوت الأساسي.

عند استخدامه كمكبر صوت خلفي في تكوين المسرح المنزلي  
5.1، يجب وضع جهاز فورميشن فليكس بالقرب من 120 درجة  
من السماعة الأمامية المركزية قدر الإمكان، كما هو موضح  
في الرسم 2.

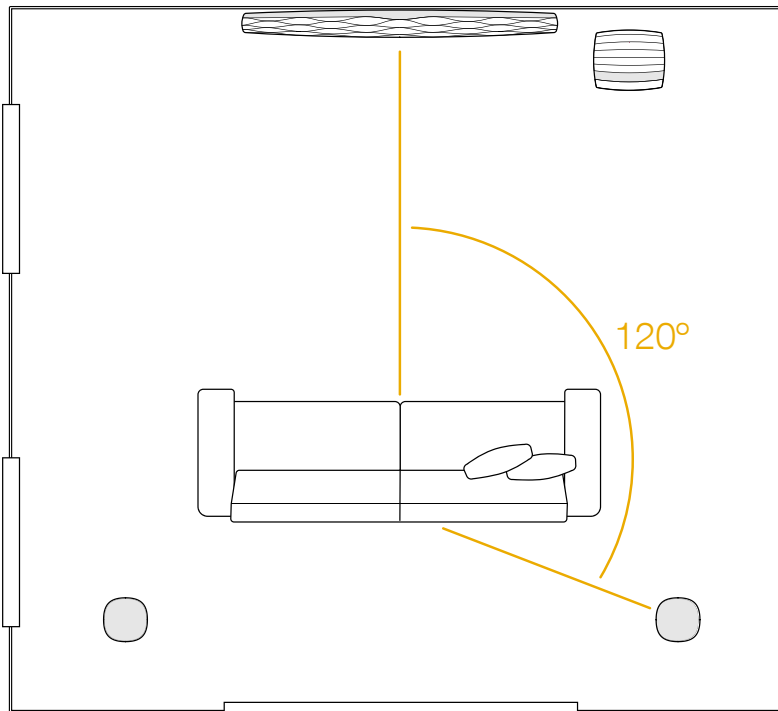
يتطلب جهاز فورميشن فليكس الخاص بك مصدر إمداد طاقة  
رئيسي حتى يعمل، لذلك يجب أن يكون موجودًا بالقرب من  
مقبس التيار الكهربائي. إذا كان جهاز فورميشن فليكس الخاص  
بك لاستخدام اتصال سلكي بشبكتك المنزلية، فستحتاج إلى أن  
تكون موجودًا بالقرب من كبل شبكة (إيثرنت) مناسب.

إذا قررت وضع جهاز فورميشن فليكس على الرف، فتأكد من أن  
الرف قادر على تحمل الوزن بسهولة.

مثل كل مكبرات الصوت، يشع جهاز فورميشن فليكس إلى  
طاقة الصوت ليس للأمام فحسب، بل إلى الجانب وإلى الخلف.  
إذا تم وضع جهاز فورميشن فليكس بالقرب من جدران الغرفة،  
أو على وجه الخصوص في ركن ما، فقد يصبح الصوت الجهير  
مضغوطًا. إذا وجدت أن الصوت الجهير من جهاز فورميشن  
فليكس الخاص بك ناشئ للغاية، فقد يكون نقله إلى موضع  
بديل مفيدًا، ومع ذلك يمكنك أيضًا ضبط مستوى صوت  
الجهير عبر قائمة إعدادات تطبيق باورز أند ويلكنز المنزلي.



الشكل رقم 1  
تموضع صوت ستريو



الشكل رقم 2  
تموضع المسرح المنزلي

- يصبح جهاز فورميشن فليكس الخاص بك متاحًا للاستخدام عند اكتمال ضبط شبكة الواي فاي واختيار الحيز، وسيقوم جهاز فورميشن فليكس الخاص بك بتشغيل توجيه صوتي للتأكيد على نجاح الضبط.

#### ضبط البلوتوث

يمكنك توصيل جهاز فورميشن فليكس الخاص بك بجهاز مصدر صوتي مفعّل به بلوتوث، مثل الهاتف الذكي، لتشغيل ملف صوتي عن طريق البلوتوث، ويجب أن يكون جهاز فورميشن فليكس "مقترنًا" أولاً بجهاز المصدر الصوتي المفعّل به بلوتوث.

وما إن تكمل ضبط شبكة فورميشن فليكس الخاص بك قم بفتح صفحة إعدادات تطبيق باورز أند وليكنز المنزلي واختر حيز فورميشن الذي ترغب في إقرانه بجهاز بلوتوث، ثم اختر "+" إقران جهاز جديد" من قائمة البلوتوث واتبع تعليمات التطبيق لإتمام الإقران، وسيقوم جهاز فورميشن فليكس الخاص بك بتشغيل توجيه صوتي عند اكتمال الإقران وتوافر حيز لجهاز البلوتوث المقترن لإعادة تشغيل الملف الصوتي.

ملحوظة: يمكن إقران ما يصل إلى ثمانية أجهزة بلوتوث في الوقت نفسه مع كل حيز فورميشن، إلا أن الأجهزة لن تقوم بالتوصيل بالاحياز المقترنة وتشغيلها أوتوماتيكيًا.

- سيبحث تطبيق باورز أند وليكنز المنزلي أولاً عن منتجات فورميشن في وضع الضبط ويعرض شاشة تدعوك إلى اختيار منتج، انقر للاختيار جهاز فورميشن فليكس الخاص بك، وإذا كنت قد قمت بالفعل بضبط أحد منتجات فورميشن وتريد أن تضيف منتج إضافي اختر "إضافة منتج فورميشن" من قائمة إعدادات التطبيق.

- ثم سيدعوك تطبيق باورز أند وليكنز المنزلي إلى تسمية "الحيز" الذي ستستخدم جهاز فورميشن فليكس فيه، ويتم توفير قائمة بأسماء افتراضية للحيز لكن يمكنك أن تبتكر اسمك الخاص، وعند اختيار أو ابتكار اسم للحيز سيطلب منك التطبيق لمس زر فورميشن في مقدمة جهاز فورميشن فليكس الخاص بك للتأكيد على الاختيار.

- إذا تم استخدام وصلة شبكة لاسلكية لجهاز فورميشن فليكس الخاص بك، فإن مرحلة الضبط التالية ستوصل الجهاز بشبكة الواي فاي المنزلية الخاصة بك، وسيطلب منك التطبيق التأكيد على شبكة الواي فاي الصحيحة وإدخال كلمة المرور إليها، وعلى النقيض إذا تم توصيل الجهاز براوتر الشبكة الخاصة بك باستخدام كابل إيثرنت فيتم تجاوز هذه المرحلة من عملية الضبط.

ملحوظة: إذا كان أحد منتجات فورميشن الأخرى متصلًا لديك بشبكة الواي فاي بالفعل، فإن ضبط جهاز فورميشن فليكس لن يطلب منك إدخال كلمة مرور الواي فاي.

#### التوصيلات

بالإضافة إلى مقيس الطاقة الرئيسية<sup>1</sup>، يوجد في جهاز فورميشن فليكس مقيس انترنت<sup>2</sup> للاتصال بموجه الشبكة (راوتر) إذا كان اتصال الشبكة السلكية سيستخدم مفضلًا على الاتصال اللاسلكي (واي فاي).

ملحوظة: مقيس يو أس بي الموجود على اللوحة الخلفية لجهاز فورميشن فليكس مخصص للخدمة والاستخدام التشخيصي فقط. لا يمكن استخدامه لأي غرض آخر.

#### التشغيل والبيئات

مع توصيل جميع الوصلات وتثبيت تطبيق باورز أند وليكنز المنزلي يصبح جهاز فورميشن فليكس جاهزًا للضبط والاستخدام، ولا يوجد بجهاز فورميشن فليكس مفتاح التشغيل الرئيسي وبعد مدة قصيرة من روتين بدء التشغيل سيعمل بمجرد توصيله بالطاقة الرئيسية، وسيقوم بتشغيل توجيه صوتي عند اكتمال التشغيل الروتيني.

عند تشغيل جهاز فورميشن فليكس لم يسبق تشغيله من قبل فإنه سيدخل في وضع الضبط أوتوماتيكيًا حتى يمكن توصيله بشبكتك المنزلية وباي أجهزة فورميشن أخرى متاحة، ويوضح وضع الضبط بإضاءة زر فورميشن الذي يعمل باللمس بإضاءة بطيئة صفراء اللون، وسيظهر جهاز فورميشن فليكس على تطبيق باورز أند وليكنز المنزلي على أنه متاح للضبط إما في صفحة التطبيق المبدئية أو بعد اختيار "إضافة" منتج فورميشن" من صفحة إعدادات التطبيق.

وبدور جهاز فورميشن فليكس الخاص بك وضعه التشغيلي واستهلاك الطاقة أوتوماتيكيًا بالكامل ويتحول إلى وضع توفير الطاقة بعد عشرين دقيقة من توقف النشاط، ولا داع أبدًا لإيقاف تشغيل جهاز أوديو فورميشن ومع هذا في حال رغبت في القيام بذلك ما عليك إلا أن تفصله عن الطاقة الرئيسية بكل بساطة، وسيحفظ جهاز فورميشن فليكس الخاص بك بإعداداته دون الطاقة الرئيسية.

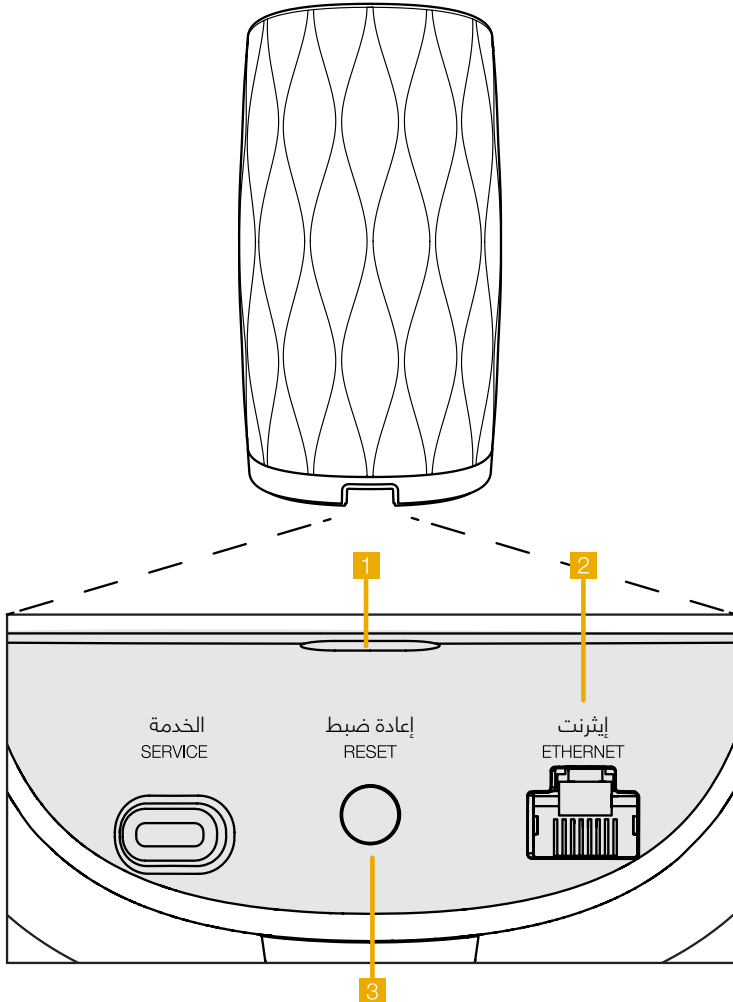
ويمكنك إعادة تشغيل جهاز فورميشن فليكس بالضغط لوهلة على زر إعادة الضبط الموجود في اللوحة الخلفية للجهاز وتركة<sup>3</sup>، والضغط على هذا الزر سيغلق الجهاز ويعيد فتحه مرة أخرى، وسيتم الاحتفاظ بجميع الإعدادات عند إعادة تشغيل جهاز فورميشن فليكس، ويمكنك أيضًا إعادة تشغيل الجهاز عن طريق صفحة إعدادات تطبيق باورز أند وليكنز المنزلي.

وإذا كنت ترغب في إعادة تشغيل الجهاز ليعود إلى إعداداته الافتراضية اضغط زر إعادة التشغيل واستمر في الضغط عليه لخمس ثوانٍ، وعند معاودة تشغيل الجهاز فإنه سيدخل في وضع الضبط، وستحذف جميع الإعدادات عندما يعاد تشغيل الجهاز، ويمكنك أيضًا إعادة تشغيل جهاز فورميشن فليكس الخاص بك عن طريق قائمة إعدادات تطبيق باورز أند وليكنز المنزلي.

#### ضبط الشبكة

- قم بتشغيل تطبيق باورز أند وليكنز المنزلي على جهازك الأندرويد أو آي أو إس مع وجود جهاز فورميشن فليكس الخاص بك في وضع الضبط وإضاءة زر فورميشن<sup>3</sup> إضاءة نابضة بطيئة صفراء اللون، وسيوجهك التطبيق بتوجيهات صوتية خلال عملية الضبط.

ملحوظة: يستخدم جهاز فورميشن فليكس وصلة بلوتوث بالجهاز الذي يشغل تطبيق باورز أند وليكنز المنزلي، وإشارات البلوتوث نطاق قصير نسبيًا يمكن أن تقطعها الحدود الفاصلة بين الغرف لذا نوصي بأن يبقى جهاز فورميشن فليكس الخاص بك وتطبيق باورز أند وليكنز المنزلي على مقربة من بعضهما أثناء عملية الضبط.



شكل رقم 3  
لوحة توصيل جهاز فورميشن فليكس

### 3. استخدام جهاز فورميشن فليكس الخاص بك

#### الأساسيات

يمكن استخدام جهاز فورميشن فليكس في تشغيل ملفات صوتية من مصادر تقليدية، ومن خدمات بث مثل: سبوتيفاي، وأبل ميوزك، وتبادال، ومن خدمة مكتبة رون الموسيقية، ومن راديو إنترنت عن طريق تطبيق أي راديو مناسب، وإذا كانت لديك أجهزة فورميشن أخرى متصلة بشبكتك، كاجهزة صوت من فورميشن فليكس على سبيل المثال، فإن مصادر الصوت التقليدية المتصلة بجهاز فورميشن فليكس ستكون متاحة أيضًا.

#### الحيز

الحيز هو مفهوم جوهري في عائلة منتجات فورميشن، و"حيز" فورميشن هو غرفة أو منطقة محددة في منزلك تستمع فيه للموسيقى، ويمكن أن يشمل كل حيز على مجموعات مختلفة من منتجات فورميشن، وتوضح التشكيلات المحتملة في الشكل 4.

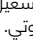
#### تشغيل الملفات الصوتية

يمكّنك تطبيق باورز أند ويلكنز المنزلي من اختيار أي مصدر بث أو مصدر صوتي متاح، ومع هذا يجب أولًا بدء مصدر بث فورميشن عن طريق تطبيق البوابة الخاص بها، على سبيل المثال تطبيق مكتبة موسيقية، مثل: رون، بالطريقة ذاتها كما يتطلب تشغيل مصدر الصوت التقليدي البدء من خلال أمر تشغيل، وستظهر كل بوابة أو تطبيق مكتبة موسيقية قائمة بحيز فورميشن الصوتي باعتباره جهاز إعادة تشغيل متاح وذلك باستخدام آيربلاي، أو بلوتوث، أو سبوتيفاي كونكت بالنسبة لتطبيق سبوتيفاي.

وما إن يتم تشغيل مصادر بث صوتي على شبكة فورميشن فإن بالإمكان اختيارها عن طريق تطبيق باورز أند ويلكنز المنزلي أو عن طريق زر فورميشن  الذي يعمل باللمس في اللوحة الأمامية لجهاز فورميشن فليكس، ويعرض لمس زر فورميشن المصادر الصوتية ومصادر البث المتاحة.

#### الإضاءة وعناصر التحكم الموجودة في الواجهة الأمامية لجهاز فورميشن فليكس

يوجد بالواجهة الأمامية لجهاز فورميشن فليكس الخاص بك أزرار تعمل باللمس يمكنها أن تتيح التحكم في التشغيل/وقف البث، وتعديل الصوت، واختيار المصدر الصوتي/مصدر البث.

- المس زر التشغيل/وقف التشغيل  يوقف ويعيد تشغيل الملف الصوتي.

*ملحوظة: يعمل التشغيل/وقف التشغيل إذا كان لمصدر البث وظائف التشغيل ووقف التشغيل يمكن الوصول إليها عن طريق البلوتوث أو توصيلات الشبكة.*

- يعدل لمس زر زيادة حجم الصوت + أو خفضه - حجم الصوت المحلي لثي بث شبكي أو مصدر محلي، والضغط على زر + وزر - مع الاستمرار في الضغط عليهما يزيد حجم الصوت أو يخفضه باستمرار.

- يعرض لمس زر فورميشن  المصادر الصوتية ومصادر البث المتاحة لجهاز فورميشن فليكس.

#### إضاءة زر فورميشن

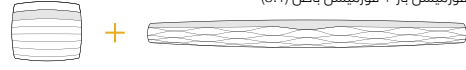
تغير إضاءة زر فورميشن في جهاز فورميشن فليكس للإشارة إلى مجموعة من الحالات التشغيلية، وتوضح أنواع الإضاءة في الشكل 5.

#### تشكيلات الحيز في التلفاز

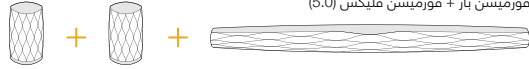
فورميشن بار (3.0)



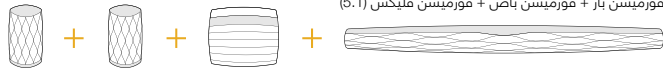
فورميشن بار + فورميشن باص (3.1)



فورميشن بار + فورميشن فليكس (5.0)



فورميشن بار + فورميشن باص + فورميشن فليكس (5.1)



#### تشكيلات الحيز في الموسيقى

فورميشن أوديو



فورميشن فليكس



فورميشن فليكس + فورميشن أوديو



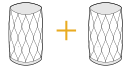
فورميشن فليكس + فورميشن باص



فورميشن فليكس + فورميشن أوديو + فورميشن باص



فورميشن فليكس (زوج ستيريو)



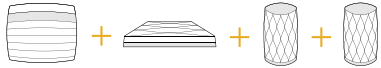
فورميشن فليكس (زوج ستيريو) + فورميشن أوديو



فورميشن فليكس (زوج ستيريو) + فورميشن باص



فورميشن فليكس (زوج ستيريو) + فورميشن أوديو + فورميشن باص



#### الشكل 4

#### تشكيلات الحيز

#### 4. تطبيق باورز آند ويلكنز المنزلي

سيُفتح تطبيق باورز آند ويلكنز المنزلي على شاشته الرئيسية حيث تظهر قائمة بحيز فورميشن فليكس وأي من أحيّاز فورميشن الأخرى المتاحة عند ضبط جهاز فورميشن فليكس الخاص بك وتوصيله بشبكته.

انقر على أي من أحيّاز جهاز فورميشن فليكس لاختيار أي من مصادر البث أو المدخلات المتاحة، وإذا لم تكن هناك مصادر بث متاحة افتح تطبيق بث، وليكن سبوتيفاي على سبيل المثال، واختر أي ملف لتشغيله ثم اختر حيز فورميشن من قائمة أجهزة إعادة التشغيل المتاحة، والآن عندما ترجع إلى تطبيق باورز آند ويلكنز المنزلي فإن بث سبوتيفاي سيظهر في قائمة في صفحة حيز فورميشن فليكس.

يوجد بتطبيق باورز آند ويلكنز المنزلي أيقونة إعدادات في الزاوية اليمنى العلوية، وانقر الأيقونة لفتح قائمة إعدادات التطبيق، وتتيح قائمة الإعدادات خيارات ضبط وإعادة تشغيل أجهزة فورميشن الخاصة بك وإعادة تسمية أحيّاز فورميشن، كما يمكن بدء تحديثات برنامج ذاكرة قراءة جهاز فورميشن والتطبيق من قائمة الإعدادات أيضاً.

#### التعرف على تطبيق باورز آند ويلكنز المنزلي

سيبحث تطبيق باورز آند ويلكنز المنزلي عند فتحه عن أحيّاز فورميشن المتاحة ثم يعرض صفحته الرئيسية مع قائمة بالأحيّاز

ويعرض التطبيق أسفل كل حيز نشاطه الحالي، وسيفتح النقر على أي حيز نشط شاشة "يشغل الآن" التي تمكن من التحكم في الحجم والتشغيل/وقف التشغيل.

كما تتيح شاشة "يشغل الآن" خيار "الأحيّاز المتاحة" الذي يمكن نقل البث الجاري تشغيله في الحيز المختار لحيز آخر أو تشغيله في عدة أحيّاز، وتتيح شاشة "الأحيّاز المتاحة" أيضاً فرصة التحكم في حجم الصوت في جميع الأحيّاز بوجه عام أو في الأحيّاز فردية.

تُفتح صفحة إعدادات تطبيق باورز آند ويلكنز المنزلي بنقر أيقونة الإعدادات، وتظهر قائمة الإعدادات المبدئية كل حيز وعدد أجهزة فورميشن الموجودة في كل حيز.

يتيح النقر على حيز ما في أي قائمة أحيّاز الوصول إلى إعدادات جهاز فورميشن وحيزه، انقر اسم الحيز للوصول إلى إعدادات الحيز وانقر اسم الجهاز للوصول إلى إعدادات الجهاز، وتعتمد إعدادات الجهاز المتاحة على الجهاز المعني.

ملحوظة: إذا كانت أيقونة الإعدادات في تطبيق باورز آند ويلكنز المنزلي تعرض نقطة صفراء اللون فإن هذا يشير إلى توافر تحديث لذاكرة قراءة جهاز فورميشن، ويمكن البدء في عملية تحديث برنامج ذاكرة القراءة من قائمة الإعدادات، وعليك دائماً تحديث تطبيق باورز آند ويلكنز المنزلي وأجهزة فورميشن الخاصة بك بأحدث نسخة وأحدث برنامج لذاكرة القراءة؛ إذ أن ذلك لا يساعد على ضمان الأداء الأكثر موثوقية فحسب بل يضمن أن تستفيد من خصائص فورميشن الجديدة.

#### 5. مصادر الصوت ومصادر البث الموسيقي لجهاز

##### فورميشن

##### استخدام سبوتيفاي

استخدم هاتفك، أو جهازك اللوحي، أو حاسوبك كجهاز للتحكم عن بعد لسبوتيفاي، واذهب إلى [spotify.com/connect](https://www.spotify.com/connect) لمعرفة كيفية القيام بذلك.

يخضع برنامج سبوتيفاي لتراخيص أطراف خارجية يمكن العثور عليها هنا: <https://www.spotify.com/connect/third-party-licenses>

##### استخدام آيربلدي

يُفعل آيربلدي التطبيقات الصوتية على أجهزة سطح المكتب أو الكمبيوتر المحمول (اللابتوب) أو جوال آبل ليث مواد صوتية على شبكة إلى أجهزة متوافقة مع آيربلدي مثل فورميشن فليكس، وتعرض التطبيقات المفصلة من آيربلدي أيقونة آيربلدي.

لاستخدام آيربلدي، افتح التطبيق الصوتي الذي ترغب في استخدامه واختر الموسيقى التي ترغب في تشغيلها، وانقر أيقونة آيربلدي لعرض قائمة بالأجهزة المتاحة متبوعة بحيز فورميشن الذي ترغب في استخدامه.

#### استخدام البلوتوث

يُمكن البلوتوث التطبيقات الصوتية على أجهزة سطح المكتب أو الكمبيوتر المحمول أو الجوال من بث المواد الصوتية عبر وصلة لاسلكية لجهاز متوافق، مثل: فورميشن فليكس.

لاستخدام البلوتوث، احرص على اختيار حيز فورميشن المطلوب في قائمة إعدادات البلوتوث في جهازك وافتح التطبيق الصوتي الذي ترغب في استخدامه واختر الموسيقى التي ترغب في تشغيلها، وانقر أيقونة أجهزة إعادة التشغيل لعرض قائمة بالأجهزة المتاحة متبوعة بحيز فورميشن الذي ترغب في استخدامه.

#### 6. التنظيف

إذا احتاج جهاز فورميشن فليكس إلى التنظيف فيمكن مسح سطحه العلوي بقطعة قماش نظيفة وخالية من الوبر وقم بتفريش شبكته بفرشاة ناعمة، وإذا أردت استخدام أي وسائل تنظيف فضعه على قماشة التنظيف وليس على الجهاز نفسه، وجرب على منطقة صغيرة أولاً لأن بعض منتجات التنظيف قد تتلف بعض الأسطح، وتجنب المنتجات الكاشطة أو التي تحتوي على أحماض أو قلوبات أو مواد مضادة للبكتيريا.

#### 7. الدعم

إذا احتجت إلى مزيد من المساعدة أو المشورة بشأن جهاز فورميشن فليكس الخاص بك يمكنك زيارة موقع دعم فورميشن هنا: [www.bowerswilkins.com/support](http://www.bowerswilkins.com/support)

#### معلومات بيئية

يلتزم هذا المنتج بجميع التوجيهات الدولية، بما في ذلك، على سبيل المثال لـ الحصر، حظر المواد الخطيرة (RoHS) في الأجهزة الكهربائية والإلكترونية، وتسجيل وتقييم وتصريح وحظر المواد الكيميائية (REACH)، والتخلص من نفايات الأجهزة الكهربائية والإلكترونية (WEEE)؛ فاستشر السلطة المحلية للتخلص من النفايات عندك لمعرفة التوجيهات الخاصة بالتخلص من هذا المنتج أو إعادة تدويره على نحو مناسب.

ملحوظة: من الممكن بث ملف صوتي عن طريق آيربلدي على أجهزة عدة في الوقت ذاته، إلا أن جودة إعادة التشغيل والتزامن قد تعتمد عندئذ على قدرات شبكتك المنزلية، وإذا كنت ترغب في تشغيل مادة صوتية في أكثر من حيز من أحيّاز فورميشن في الوقت ذاته فيمكن تحسين التزامن بدرجة كبيرة باختيار عدة أحيّاز عن طريق تطبيق باورز آند ويلكنز المنزلي.

#### استخدام رون

رون هو تطبيق لإعادة التشغيل ومكتبة موسيقية غنية ومميزة يقوم بجمع جميع الملفات الموسيقية المتاحة على شبكتك ويجعلها متاحة للتشغيل بسهولة في جميع أحيّاز فورميشن وفي أي جهاز صوتي آخر مفعّل عليه تطبيق رون، وتطبيق رون متاح لأجهزة سطح المكتب أو الكمبيوتر المحمول أو الجوال.

يعرض تطبيق رون عند فتحه مكتبك الصوتية الكاملة وبياناتها الوصفية وصورها بالإضافة إلى أحيّاز فورميشن وأي أجهزة صوتية أخرى متاحة على الشبكة، فاختر الموسيقى التي ترغب في تشغيلها وحيز فورميشن الذي ترغب في الاستماع إليه ببساطة.

ملحوظة: من الممكن بث ملف صوتي من رون على أجهزة عدة في الوقت ذاته، إلا أن جودة إعادة التشغيل والتزامن قد تعتمد عندئذ على قدرات شبكتك المنزلية، وإذا كنت ترغب في تشغيل مادة صوتية في أكثر من حيز من أحيّاز فورميشن في الوقت ذاته فيمكن تحسين التزامن بدرجة كبيرة باختيار عدة أحيّاز عن طريق تطبيق باورز آند ويلكنز المنزلي.

المؤشر	الوضع التشغيلي
وميض أبيض	جاري بدء التشغيل
أصفر نابض	جاهز للضبط
وميض أصفر	جاري تحديث برنامج ذاكرة القراءة
أبيض نابض	جاري سحب الملف الصوتي
وميض أحمر	خطأ - اتصل بالدعم
أحمر ثابت	خطأ - اتصل بالدعم
وميض أحمر	جاري إعادة ضبط المصنع

شكل 5  
أنواع إضاءة أزرار فورميشن