

Refrigerator user manual

the possibilities

Thank you for purchasing this Samsung product.



Features of your new Refrigerator

KEY FEATURES OF YOUR NEW REFRIGERATOR

Your Samsung French Door Refrigerator comes equipped with various innovative storage and energy-efficient features.

- **Twin Cooling System**

The fridge and freezer have separate evaporators. Due to this independent cooling system, the fridge and freezer cool more efficiently. Additionally, this separate air flow system prevents food odor of one compartment from seeping into other compartments.

- **Cool Select Pantry^{PLUS}**

The Cool Select pantry^{PLUS} is a full-width drawer with adjustable temperature control.

- **Bigger Storage Capacity**

The refrigerator provides you bigger storage capacity within the same built-in look, without sacrificing style.

- **Secure Auto Close**

The Secure Auto Close feature will automatically close a door that is slightly open.

- **Compact Ice Maker**

The Ice maker can dispense cubed or crushed ice.

- **Digital Display and Temperature Control**

- **Water Filtration System**

- **Door Alarm**

A helpful beeper alerts you if a door is ajar.

- **Tilting Pocket**

The tilting pocket can be used to store small packages of frozen food.

- **Super Extended Drawer**

The upper drawer in the freezer comes out all the way to the tilting pocket.

- **Easy Handle**

Freezer door can be opened with less effort.

- **Dual Ice Maker (RFG238)**

The fridge and freezer each have an ice maker; providing even more cubed and crushed ice.



For easy future reference, write the model and serial number down. You will find your model number and serial number on the left side of the refrigerator.

Model # _____

Serial # _____










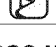
Safety Information

SAFETY INFORMATION

Before using your new Samsung French Door Refrigerator, please read this manual thoroughly to ensure that you know how to safely and efficiently operate the features and functions that your new appliance offers. This appliance is not intended for use by persons (including children) with reduced physical, sensory or mental capabilities, or lack of experience and knowledge, unless they have been given supervision or instruction concerning use of the appliance by a person responsible for their safety.


Because the following Instructions cover various models, the characteristics of your refrigerator may differ slightly from the refrigerator described in this manual. If you have any questions contact us at 1-800-SAMSUNG or find help and information online at www.samsung.com.

Important safety symbols and precautions:

 WARNING	Hazards or unsafe practices that may result in severe personal injury or death.
 CAUTION	Hazards or unsafe practices that may result in minor personal injury or property damage.
	Do NOT attempt.
	Do NOT disassemble.
	Do NOT touch.
	Follow directions carefully.
	Unplug the power plug from the wall socket.
	Make sure the refrigerator is grounded to prevent electric shock.
	Call the contact center for help.
	Note.

These warning signs are here to prevent injury to you and others. Please follow them carefully. After reading this section, keep it in a safe place for future reference.

SEVERE WARNING SIGNS FOR INSTALLATION

-  • Do not install the refrigerator in a damp place or place where it may come in contact with water.
 - Deteriorated insulation of electrical parts may cause an electric shock or fire.
- Do not place this refrigerator in direct sunlight or expose to the heat from stoves, room heaters or other appliance.
- Do not plug several appliances into the same multiple power board. The refrigerator should always be plugged into its own individual electrical board which has a voltage rating that matched the rating plate.
 - This provides the best performance and also prevents overloading house wiring circuits, which could cause a fire hazard from overheated wires.
- If the wall socket is loose, do not insert the power plug.
 - There is a risk of electric shock of fire.
- Do not use a cord that shows cracks or abrasion damage along its length or at either end.
- Do not bend the power cord excessively or place heavy articles on it.
- Never unplug your refrigerator by pulling on the power cord. Always grip plug firmly and pull straight out from the outlet.

Safety Information

- Damage to the cord may cause a short-circuit, fire and/or electric shock.
 - **Do not use aerosols near the Refrigerator.**
 - Aerosols used near the Refrigerator may cause an explosion or fire.
-

- ★ • This refrigerator must be properly installed and located in accordance with the manual before it is used.
 - **Connect the power plug in proper position with the cord hanging down.**
 - If you connect the power plug upside down, the wire can get cut off and cause a fire or electric shock.
 - **When moving the refrigerator, be careful not to roll over or damage the power cord.**
 - This constitutes a fire hazard.
 - **Make sure that the power plug is not squashed or damaged by the back of the refrigerator.**
 - **Keep the packing materials out of reach of children.**
 - There is a risk of death from suffocation if children put them on their head.
 - **The appliance must be positioned so that the plug is accessible after installation.**
 - **You need to remove all the protective plastic film before you initially plug in to use the product.**
-

- ⚡ • **The Refrigerator must be safely grounded**
 - Always make sure that you have grounded the Refrigerator before attempting to investigate or repair any part of the appliance. Power leakages can cause severe electric shock.
 - **Never use gas pipes, telephone lines or other potential lightning attractors as an electrical ground.**
 - Improper use of the grounding plug can result in a risk of electric shock.
If it is necessary to use an extension cord, use only a 3-wire extension cord that has a 3-blade grounding plug and a 3-slot receptacle that will accept the plug on the appliance. The marked rating of the extension cord should be AC115-120V, 10A, or more. If a grounding adapter is used, make sure the receptacle box is fully grounded.
 - ✍ • **If the power cord is damaged, have it replaced immediately by the manufacturer or its service agent.**
-

CAUTION SIGNS FOR INSTALLATION

- ★ • **Allow sufficient space to install the refrigerator on a flat surface.**
 - If your refrigerator is not level, the internal cooling system may not work correctly.
 - **Keep ventilation opening in the appliance enclosure or mounting structure clear of obstruction.**
 - **Allow the appliance to stand for 2 hours after installation.**
-


SEVERE WARNING SIGNS FOR USING


- ☒ • **Do not insert the power plug with wet hands.**
 - **Do not store articles on the top of the appliance.**
 - When you open or close the door, the articles may fall and cause personal injury and/or material damage.
 - **Do not put a container filled with water on the refrigerator.**
 - If spilled, there is a risk of fire or electric shock.
 - **Children should be supervised to ensure that they do not play with the appliance.**
 - Keep fingers out of “pinch point” areas; clearances between the doors and cabinet are necessarily small. Be careful when you open the doors when children are in the area.
 - **Do not let children hang on the door. A serious injury may occur.**
 - **Do not let children enter inside of the refrigerator. There is a risk of children entrapment.**
-


SEVERE WARNING SIGNS FOR USING


- ☒ • **Do not insert your hands into the bottom area under the appliance.**
 - Any sharp edges may cause personal injury.
 - **Do not let children step on drawer's cover.**
 - The drawer may break and cause them to slip.
 - **Do not overfill the refrigerator with food.**
 - When you open the door, an item may fall out and cause personal injury or material damage.
-

- Do not touch the inside walls of the freezer or products stored in the freezer with wet hands.
 - This may cause frostbite.
- Never put fingers or other objects into the water dispenser hole, ice chute and ice maker bucket.
 - It may cause personal injury or material damage.
- Do not spray inflammable gas near the refrigerator.
 - There is a risk of explosion or fire.
- Do not store volatile or flammable substances in the refrigerator.
 - The storage of benzene, thinner, alcohol, ether, LP gas and other such products may cause explosions.
- Do not store pharmaceuticals products, scientific materials or temperature sensitive products in the refrigerator.
 - Products that require strict temperature controls must not be stored in the refrigerator.
- Do not place or use an electrical appliance inside the refrigerator, unless it is of a type recommended by the manufacturer.
- Do not use mechanical devices or any other means to accelerate the defrosting process, other than those recommended by the manufacturer.
- Do not damage the refrigerant circuit.


-
-  • Do not disassemble or repair the refrigerator by yourself.
 - You run risk of causing a fire, malfunction and/or personal injury.
 - When the interior or exterior LED lamp has gone out, please contact your service agents.


-
-  • Children should be supervised to ensure that they do not play with the appliance.
 - Bottles should be stored tightly together so that they do not fall out.
 - This product is intended only for the storage of food in a domestic environment.
 - If a gas leak is detected, avoid any naked flames or potential sources of ignition and air the room in which the appliance is standing for several minutes.
 - Use only the LED Lamps provided by manufacturer or service agents

-
-  • Pull the power plug out of the socket before changing the interior lamps of the refrigerator.
 - Otherwise, there is a risk of electric shock.

-
-  • If there are burning smells or smoke, pull out power plug immediately and contact your Samsung Electronics service center.
 - If you experience difficulty when changing the light, contact service agents.
 - If the products equipped with LED Lamp, do not disassemble Lamp Cover and LED Lamp by yourself.
 - Please contact your service agents.
 - If any dust or water is in Refrigerator, pull out power plug and contact your Samsung Electronics service center.
 - Otherwise there is a risk of fire.


CAUTION SIGNS FOR USING

-
-  • Do not re-freeze frozen foods that have thawed completely.
Do not place carbonated or fizzy drinks in the freezer compartment.
Do not put bottles or glass containers in the freezer.
 - When the contents freeze, the glass may break and cause personal injury.




-
-  • Service warranty and Modification.
 - Any changes or modifications performed by a 3rd party on this finished appliance is not covered under Samsung warranty service, nor can Samsung be responsible for safety issues that result from 3rd party modifications.
 - Do not block air holes.
 - If the air holes are blocked, especially with a plastic bag, the refrigerator can be over cooled. If this cooling period lasts too long, the water filter may break and cause water leakage.
 - If the refrigerator is disconnected from the power supply, you should wait for at least five minutes before plugging it back.
 - If you have a long vacation planned or the refrigerator is not to be used for a long period of time, you must empty the refrigerator and pull out the power plug.


Safety Information

- Deterioration in the insulation may cause fire.
Wipe excess moisture from the inside and leave the doors open.
 - Otherwise, odor and mold may develop.
 - **To get Best performance of product,**
 - Do not place foods too closely in front of the vents at the rear of the appliance as it can obstruct free air circulation in the refrigerator compartment.
 - Wrap the food up properly or place it in airtight containers before putting it into the refrigerator.
 - **Fill water tank, ice tray, water cubes only with potable water.**
 - **Do not apply strong shock or excessive force onto the surface of glass.**
 - Broken glass may result in a personal injury and/or property damage.
-


-  • **When the refrigerator gets wet by water, pull out the power plug and contact your Samsung Electronics service center.**

CAUTION SIGNS FOR CLEANING

-  • **Do not directly spray water inside or outside the refrigerator.**
 - There is a risk of fire or electric shock.
 -  • **Remove any foreign matter or dust from the power plug pins. Do not use a wet or damp cloth when cleaning the plug, remove any foreign material or dust from the power plug pins.**
 - Otherwise there is a risk of fire or electric shock.
 -  • **Unplug the refrigerator before cleaning and making repairs.**
-

 This product contains chemicals known to the State of California to cause cancer and reproductive toxicity.

SEVERE WARNING SIGNS FOR DISPOSAL

-  • **Risk of child entrapment. Before you throw away your old refrigerator or freezer.**
 - Take off the doors.
 - Leave the shelves in place so that children may not easily climb inside.
- **Please dispose of the packaging material for this product in an environmentally friendly manner.**
- **Leave the shelves in place so that children may not easily climb inside. Ensure that none of the pipes on the back of the appliance are damaged prior to disposal.**
- **When disposing of this refrigerator, remove the door/door seals and door latch so that small children or animals cannot become trapped inside.**
Children should be supervised to ensure that they do not play with the appliance.
- **Cyclopentane is used as in the insulation. The gases in insulation material require a special disposal procedure. Please contact your local authorities in regard to the environmentally safe disposal of this product. Ensure that none of the pipes on the back of the refrigerator are damaged prior to disposal.**

Contents

SETTING UP YOUR FRENCH DOOR REFRIGERATOR

08

- 08 Getting ready to install the refrigerator
- 09 Setting up the refrigerator
- 09 Removing the refrigerator doors
- 11 Disassemble the freezer drawer
- 12 Reattaching the refrigerator doors
- 14 Assemble the freezer drawer
- 15 Adjusting the doors
- 16 Making minor adjustments between doors
- 17 Adjusting the freezer drawer level
- 18 Checking the water dispenser line
- 19 Installing the water line

OPERATING YOUR FRENCH DOOR REFRIGERATOR

21

- 21 Using the control panel(RFG237 Model)
- 22 Using the digital display(RFG237 Model)
- 23 Controlling the temperature(RFG237 Model)
- 24 Using the cold water dispenser(RFG237 Model)
- 26 Using the control panel(RFG238 Model)
- 27 Using the digital display(RFG238 Model)
- 28 Controlling the temperature(RFG238 Model)
- 29 Using the cold water dispenser(RFG238 Model)
- 31 Parts and features
- 32 Storing food in the refrigerator
- 32 Storing food in the freezer drawer
- 33 Using the Cool Select Pantry^{PLUS}
- 34 Removing the refrigerator accessories
- 35 Using the doors
- 35 Using the tilting pocket
- 36 Removing the freezer accessories
- 37 Food storage tips
- 39 Cleaning the refrigerator
- 40 Changing the interior lights
- 41 Changing the water filter

TROUBLESHOOTING

42

- 42 Troubleshooting

WARRANTY

43

- 43 Water filter chart
- 44 Water filter certification
- 45 Warranty on SAMSUNG refrigerator

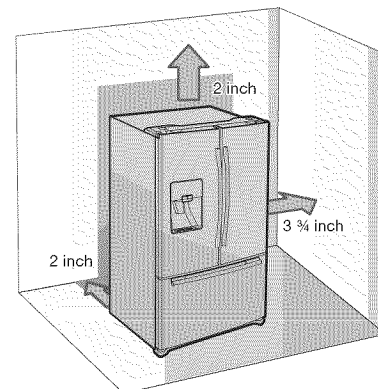
Setting up your French Door Refrigerator

GETTING READY TO INSTALL THE REFRIGERATOR

Congratulations on your purchase of the Samsung French Door Refrigerator. We hope you enjoy the state-of-art features and efficiencies that this new appliance offers.

Selecting the best location for the refrigerator

- A location with easy access to the water supply.
- A location without direct exposure to sunlight.
- A location with a leveled floor.
- A location with enough space for the refrigerator doors to open easily.
- Allow sufficient space to the right, left, back and top for air circulation. If the Refrigerator does not have enough space, the internal cooling system may not work properly.
- Please ensure that appliance can be moved freely in the event of maintenance & service.

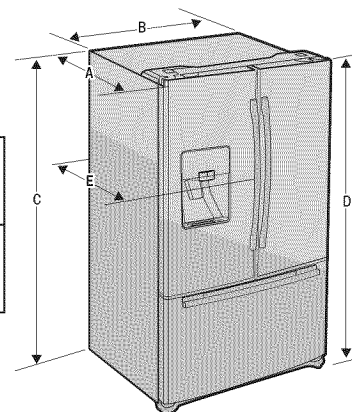


If your refrigerator has an ice maker, allow extra space at the back for the water line connections. When you install the refrigerator next to a fixed wall, minimum clearance is 3 3/4" (95mm) between the refrigerator and wall to allow the door to swing open.

First thing! Make sure that you can easily move your refrigerator to its final location by measuring doorways (both width and height), thresholds, ceilings, stairways, etc.

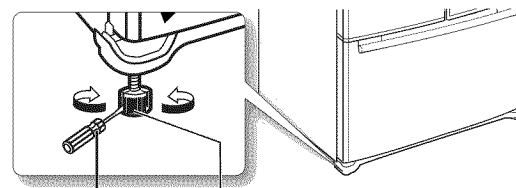
The following chart details the exact height and depth of Samsung French Door Refrigerator.

Model	Depth "A"	Width "B"	Height "C"	Overall Height "D"	Depth "E"
RFG238 ** / RFG237 **	28" (712 mm)	35 6/8" (908 mm)	68 1/2" (1740 mm)	69 6/8" (1774mm)	30 1/2" (774 mm)



- ☑ Allow clearance to the right, left, back and top when installing. This will help reduce power consumption and keep your energy bills lower.
- Do not install the refrigerator where the temperature will go below 50°F (10°C).
- Do not locate the refrigerator where it may become wet.

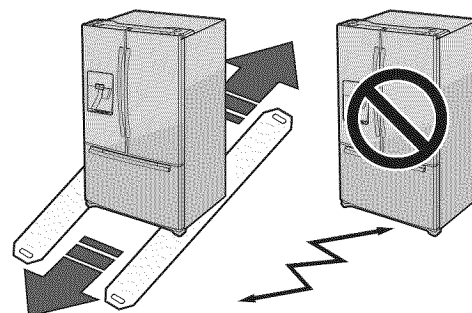
CAUTION When moving your refrigerator To prevent floor damage be sure the front adjusting legs are in the up position (above the floor). Refer to 'Adjusting the doors' in the manual (on page 15).



Flat-blade screw driver(-) Control Lever

FLOORING


For proper installation, this refrigerator must be placed on a leveled surface of hard material that is the same height as the rest of the flooring. This surface should be strong enough to support a fully loaded refrigerator. To protect the finish of the flooring, cut a large section of the cardboard carton and place under the refrigerator where you are working. When moving a refrigerator, it is needed to pull and push in the back-and-forth direction.



SETTING UP THE REFRIGERATOR

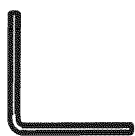
Now that you have your new refrigerator installed in place, you are ready to set up and enjoy the features and functions of the appliance. By completing the following steps, your Refrigerator should be fully operational.

1. Place the refrigerator in an appropriate location with reasonable clearance between the walls and the refrigerator.
Refer to installation instructions in this manual. (page 9, Selecting the best location for the refrigerator)
2. Once the refrigerator is plugged in, make sure the interior light comes on when you open the doors.
3. Set the Temperature control to the coldest temperature and wait for an hour. The freezer will get slightly chilled and the motor will run smoothly.
4. After powering the refrigerator, it will take a few hours to reach the appropriate temperature. You can store food and drinks in the refrigerator after the temperature is sufficiently low.

 Check the accessories listed below.



Water filter

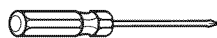


Hex wrench

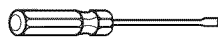


Fastener

Required Tools(Not provided)



Phillips screwdriver(+)



Flat-blade screwdriver(-)



Socket wrench (10mm)



Pliers





Allen wrench(3/16")
(5mm)

REMOVING THE REFRIGERATOR DOORS


Some installations require door removal to transport the refrigerator to its final location.

Do not remove the door/drawer if it is not needed. Before removing the door/drawer, make sure you read following items.

 **WARNING** Disconnect power to the refrigerator before removing the door or drawer.

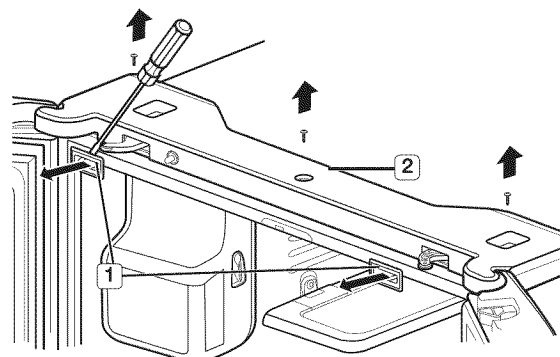
-  • Be careful not to drop, damage or scratch the door/drawer while removing them.
- Be careful not to get injured while removing the door/drawer.
- Reattach the door/drawer properly to avoid:
 - Moisture from air leakage.
 - Uneven door alignment.
 - Wasting energy due to improper door seal.

Disassemble the refrigerator doors

 **WARNING** Be careful not to drop and scratch the doors while removing the doors.

Disassemble the refrigerator doors

1. With the door opened, remove the hinge top table (1) with a flat-blade screwdriver, and close the door. Remove the 3 screws holding down the top table (2) and remove it.

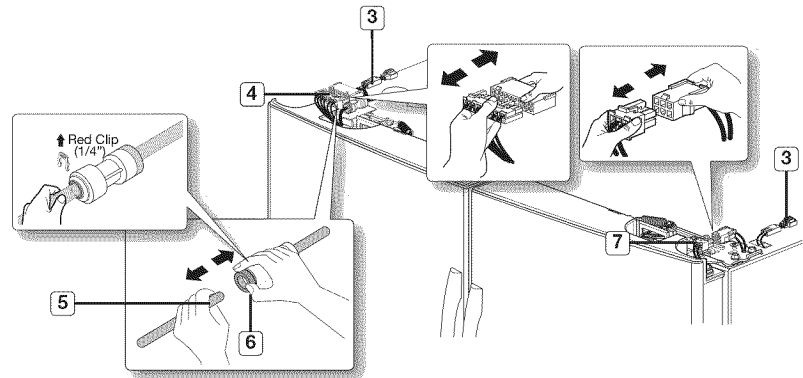


Setting up your French Door Refrigerator

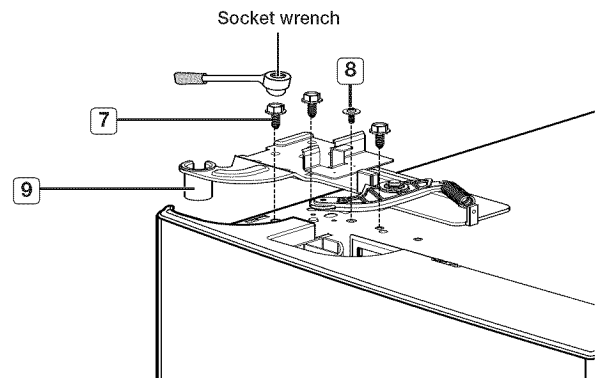
2. Disconnect two connectors ((3)) at each side of the top cap, the one connector ((7)) on right side door and the other connector ((4)) on left side door. Remove the tube ((5)) with pressing the dark gray color part ((6)) of the water line coupler.



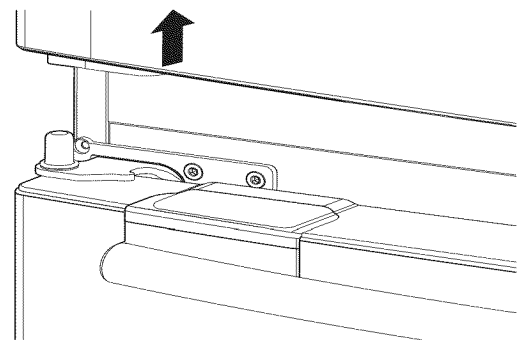
If a red clip is on the coupler, it must be removed before removing the tube.



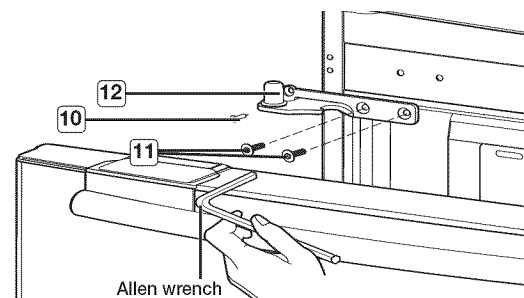
3. Remove the 3 hex head bolts ((7)) attached to the upper left and right door hinges with a socket wrench (10mm). Remove the ground screw ((8)) attached to the upper left and right door hinges with a philips screwdriver(+). Remove the upper left and right door hinges ((9)).



4. Lift the door straight up to remove.

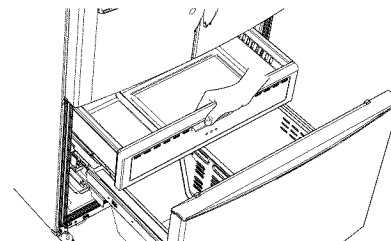


5. Remove the screw ((10)) attached to the lower left and right door hinges with a philips screwdriver(+). Remove the 2 hex head bolts ((11)) attached to the lower left and right door hinges with an allen wrench(3/16"). Remove the lower left and right door hinges ((12)).

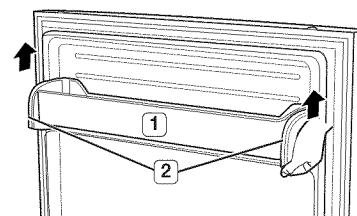


DISASSEMBLE THE FREEZER DRAWER

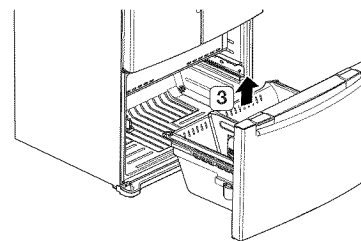
1. Take out the upper drawer by lifting it up.



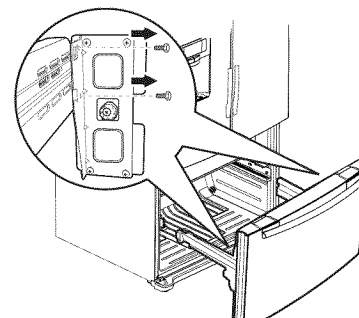
2. Remove the tilting pocket (1) by pulling both support guards (2) upward at the same time.



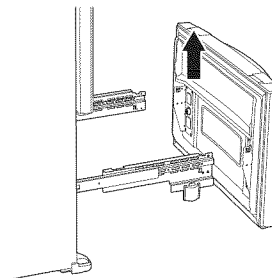
3. Take out the lower basket (3) by lifting the basket up from the rail system.



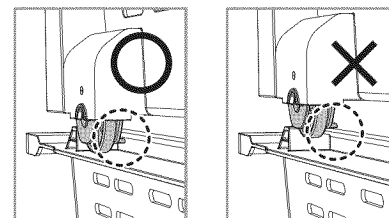
4. Remove 4 hex head bolts from both sides with a socket wrench (10mm).



5. Lift up the freezer door from the rails.



CAUTION Putting too much food into the freezer drawers can prevent the freezer from closing completely and can cause frost build-up.

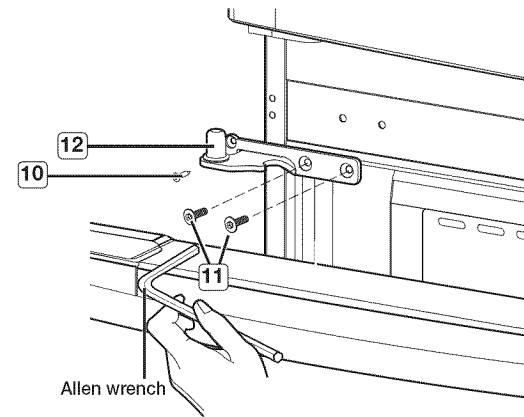


Setting up your French Door Refrigerator


REATTACHING THE REFRIGERATOR DOORS

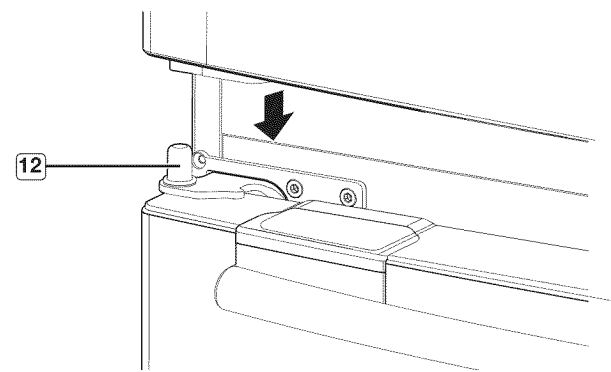
Assemble the refrigerator doors

1. Reattach the lower left and right door hinges ((12)).
With a Philips head screwdriver, insert and tighten the screw ((10)) into the lower left and right door hinges.
With a allen wrench (3/16"), insert and tighten the 2 hex head bolts ((11)) into the lower left and right door hinges.

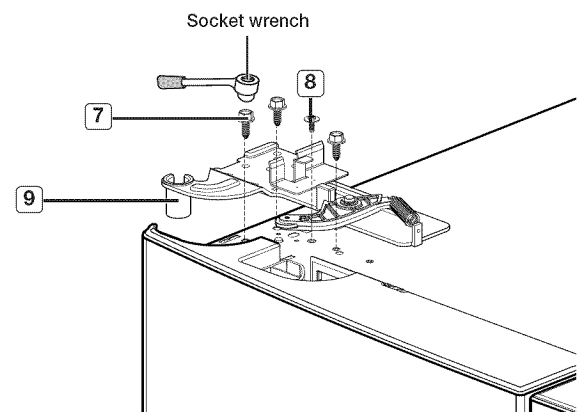


2. Place the hole in the bottom of the door over the door hinge ((12)).

 Be careful not to miss the hinge cap because it can be easily taken off.



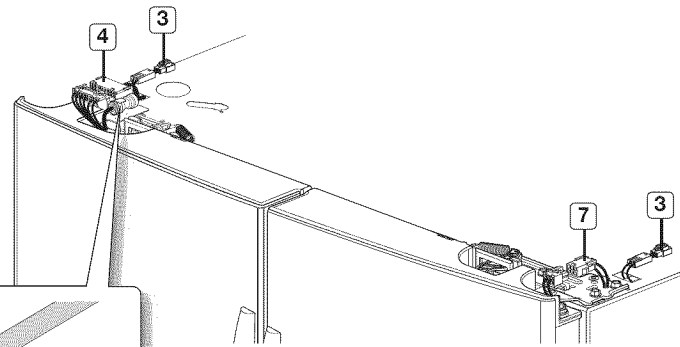
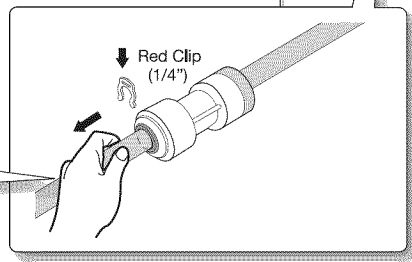
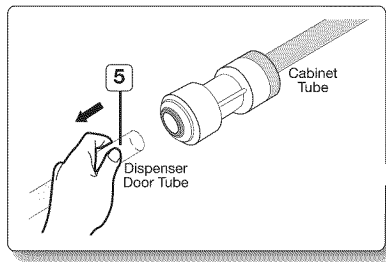
3. Insert the upper hinges ((9)) into the holes at the top of the doors.
Insert and tighten the 3 hex head bolts ((7)) into the upper left and right door hinges with a socket wrench (10mm).
Insert and tighten the ground screw ((8)) into the upper left and right door hinges with a philips screwdriver(+).



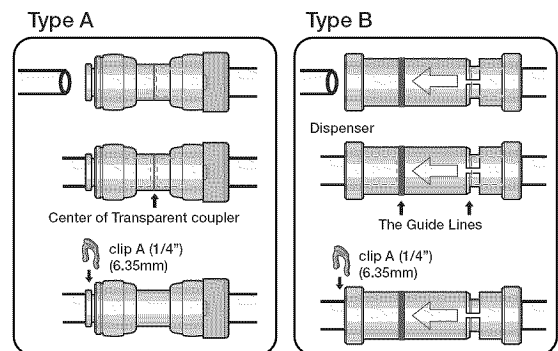
REATTACHING THE REFRIGERATOR DOORS

4. Connect the water line (5) and then insert a clip on the coupler with pulling tube. Connect the one connector (4) on left side door, the other connector (7) on right side door and two connectors (3) at each side of the top cap.



 The clip is enveloped inside of the top cap.

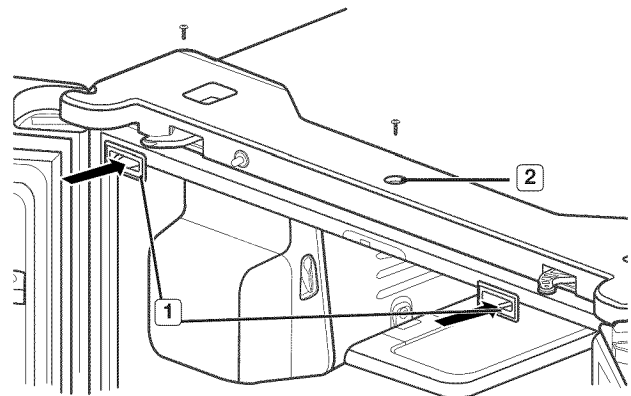


- The Water Line must be fully inserted to the center of transparent coupler (Type A) or the line (Type B) to prevent water leakage from the dispenser.
- Insert the clip in the install pack and check that it holds the line firmly.



5. Position the top table (2) in place. Insert and tighten the 3 screws into the top table with a philips screw driver(+). After door opened, reinsert the cap top table (1) and close the doors.

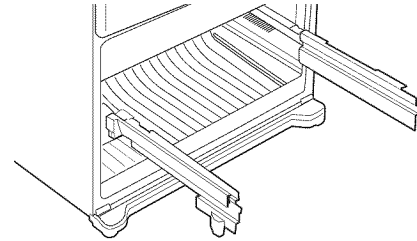
-  When reattaching the top table, make sure that the wires are not pressed or damaged by the hinge cover.
-  After assembling, close the door and check to see whether the door has gaps between gaskets or is tilted. If you see one of them, please refer to "Adjusting the doors" page on 15.



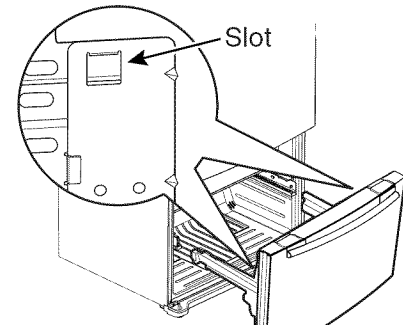
Setting up your French Door Refrigerator

ASSEMBLE THE FREEZER DRAWER

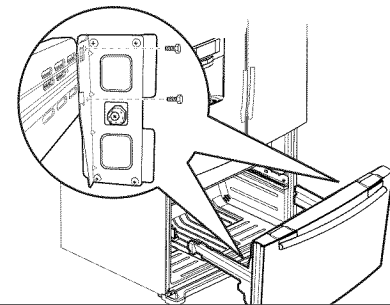
1. Pull out the rails fully on each side of the cabinet.



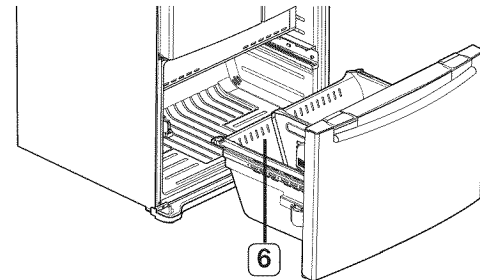
2. Attach the freezer door front onto the open slots on the sides.



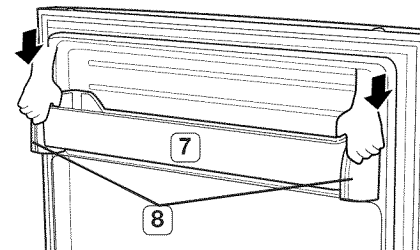
3. Tighten 4 hex head bolts completely with a socket wrench (10mm).



4. Insert the lower basket (6) into the rail system.

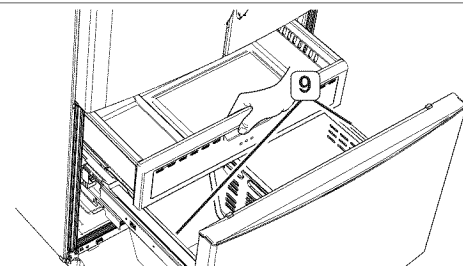


5. Hook the ends of the tilting pocket (7) onto the brackets and push down until they are locked into place.



6. Insert the upper drawer.

Remove 2 pieces of tape (9) attached to the side of the drawer bin. Reattach the tape in the same position when moving the refrigerator to prevent scratching the drawer bin.



ADJUSTING THE DOORS

After putting the doors back on the refrigerator, make sure the refrigerator is level so that you can make final adjustments.

If the Refrigerator is not level, it will not be possible to get the doors perfectly even, which may cause moisture condensation and increased energy bills.

For example, when the left side is lower than the right side, insert a flat-blade screwdriver(-) into a notch on the left control lever, and turn it counterclockwise to level the door.

Turning it clockwise to lower the refrigerator and counterclockwise to raise it.

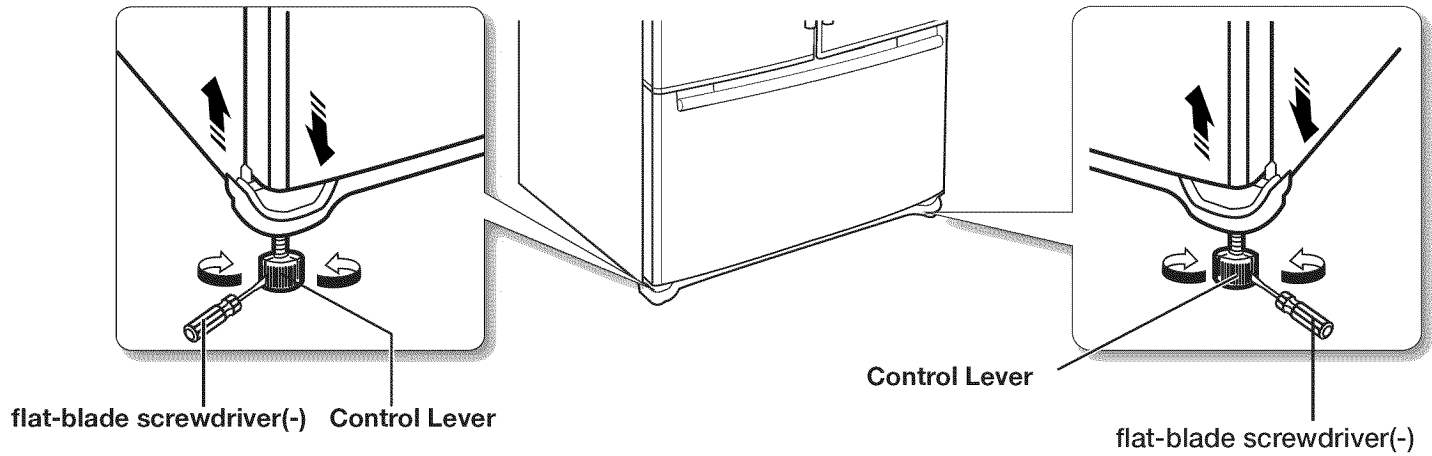
For the left side is higher, do it with right lever.



Both control levers must be surely touching the floor to avoid possible personal injury or property damage because of tipping.



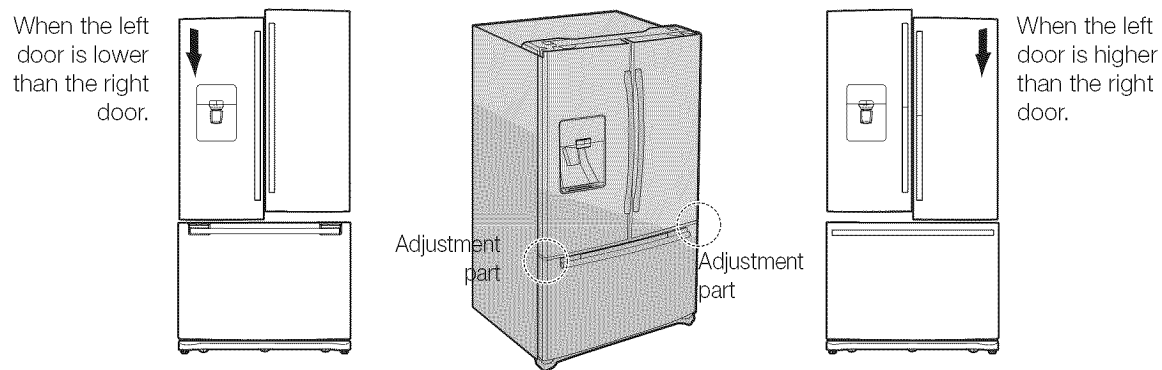
We do not recommend making small adjustments with the control lever. Instead, refer to the next page for the best way to make minor adjustments to the doors.



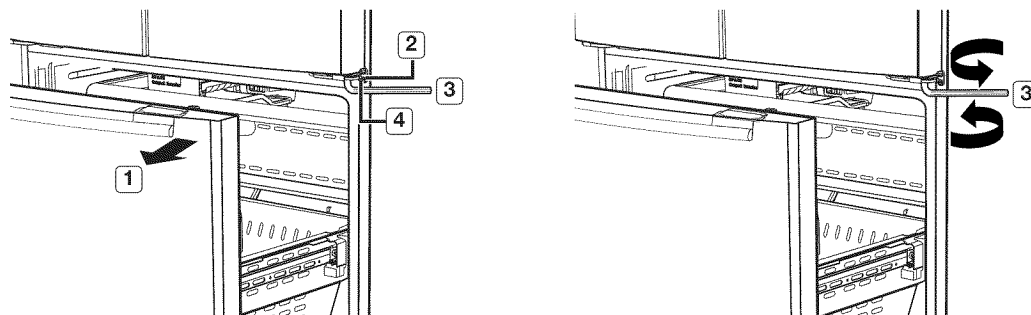
Setting up your French Door Refrigerator

MAKING MINOR ADJUSTMENTS BETWEEN DOORS

Remember a leveled refrigerator is necessary for getting the doors perfectly flush. If you need help, review the previous section on leveling the refrigerator.

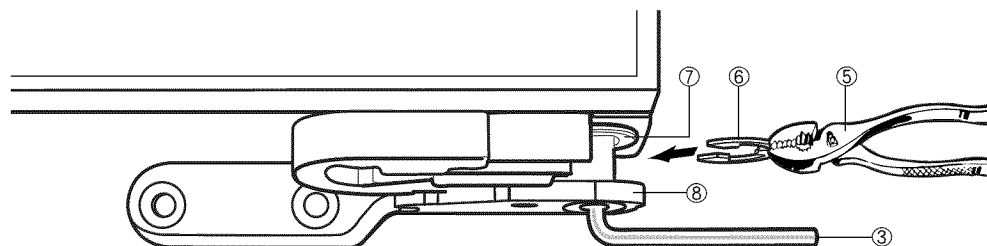


1. Pull out the freezer drawer (1), then you can see the lower hinge (2).
2. Insert the supplied allen wrench (7/16") (3) into the shaft (4) of the lower hinge.
3. Please adjust the height by turning the hex wrench (3) clockwise (↻) or counter-clockwise (↺).



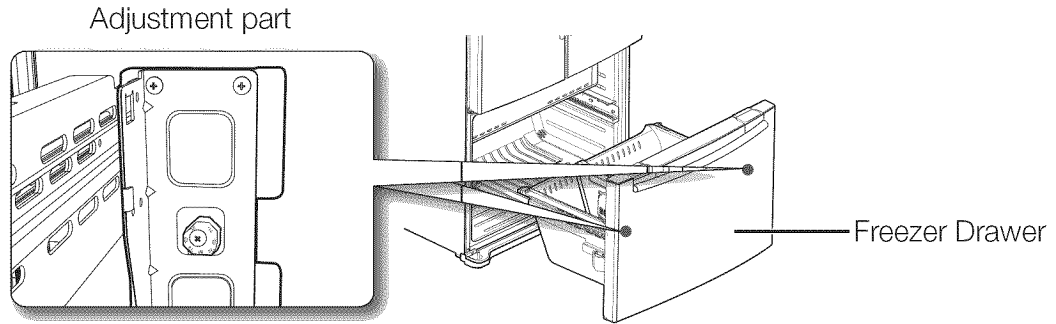
When you turn the hex wrench counter-clockwise (↺), the door will move up.

1. After adjusting the doors, please insert the supplied fastener (6) using a pliers (5) in the gap between the hinge-grommet (7) and the lower hinge (8). The number of fastener you'll need to insert depends on the gap.

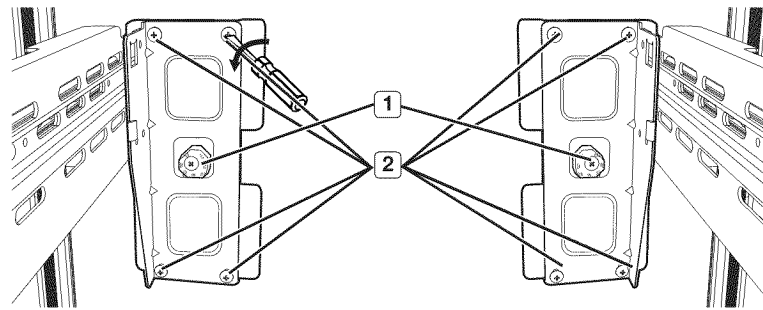


2 fastener are enclosed with the refrigerator. The thickness of each fastener-ring is 0.04".

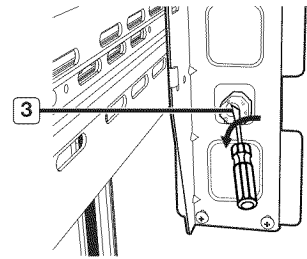
ADJUSTING THE FREEZER DRAWER LEVEL



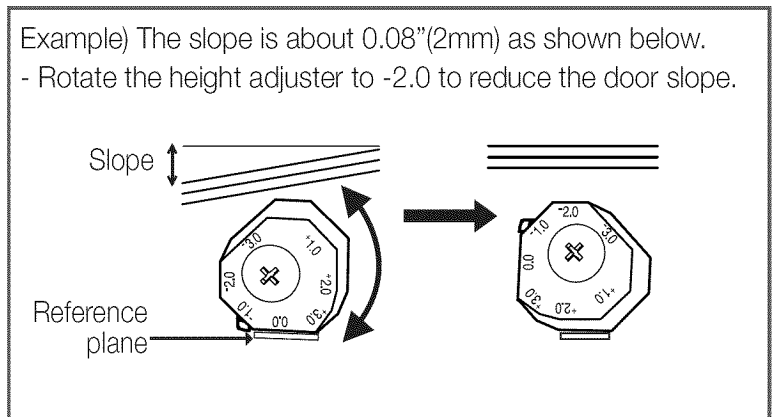
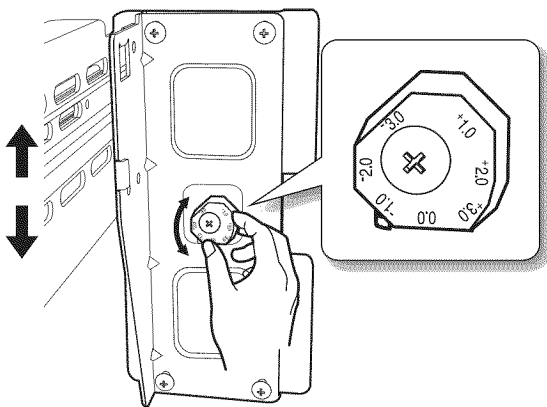
1. Locate the height-adjuster (1) in the freezer drawer.
Unscrew the 8 Phillips screws (2) slightly to loosen the door.



2. Loosen the controller screw (3) with a Phillips screwdriver(+).



3. Find the best level to align the door slope.



→ After adjustment, tighten the controller screw (3) and philips screws.

Setting up your French Door Refrigerator

CHECKING THE WATER DISPENSER LINE

A water dispenser is one of the helpful features on your new refrigerator. To help promote better health, the water filter removes unwanted particles from your water. However, it does not sterilize or destroy microorganisms. You may need to purchase a water purifying system to do that.

In order for the ice maker to operate properly, a water pressure of 20~125 psi is required. Under normal conditions, a 170 cc (5.75 oz.) cup can be filled in 10 seconds.

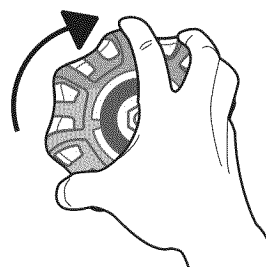
If the refrigerator is installed in an area with low water pressure (below 20psi), you can install a booster pump to compensate for the low pressure.

Make sure the water storage tank inside the refrigerator is properly filled. To do this, press the water dispenser lever until the water runs from the water outlet.

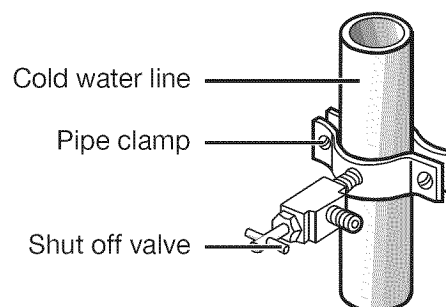
- ☑ Water line installation kits are available at extra cost from your dealer. We recommend using a water line installation kit that contains copper tubing and ¼" compression nut.

Connecting to the water supply line

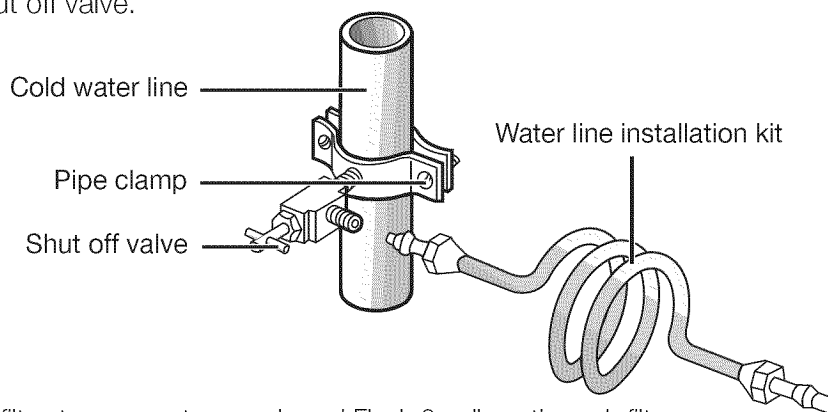
1. First, shut off the main water supply.



2. Locate the nearest cold water drinking line and install the pipe clamp and shut off valve.



3. Connect the water line installation kit to shut off valve.



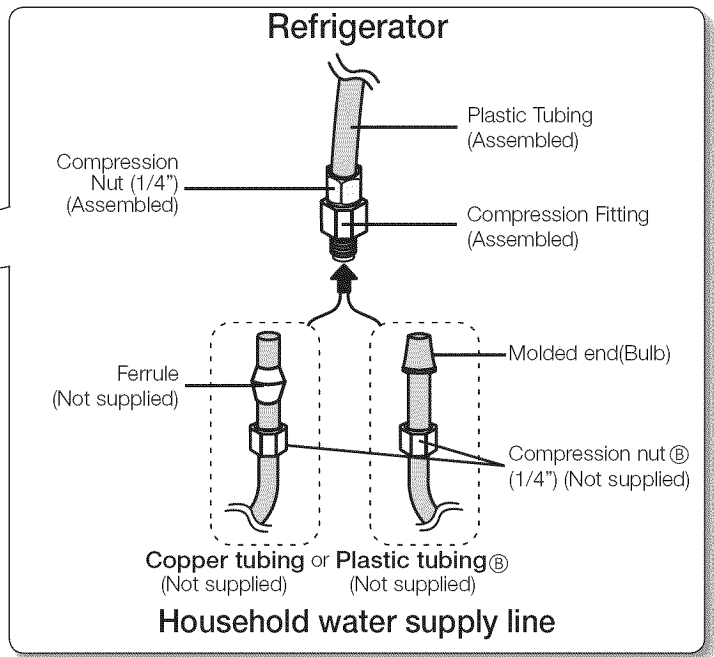
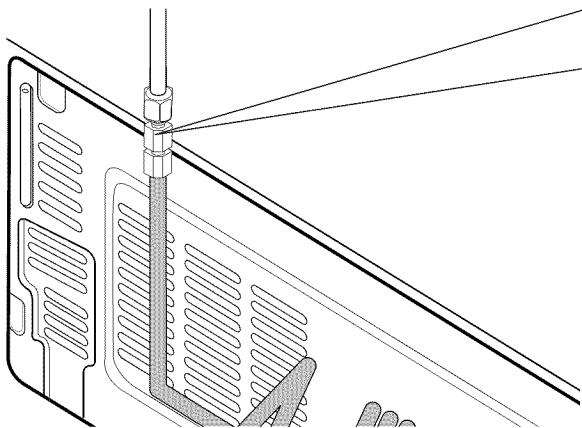
- ☑ After connecting the water supply with water filter, turn on water supply and Flush 3 gallons through filter before use (flush approximately 6 minutes).
If water drop or leakage is found on the connection area, turn off the main water supply.
Check it and, if necessary, tighten it more.

INSTALLING THE WATER LINE

Connecting the water supply line to the refrigerator.

There are several items that you need to purchase to complete this connection. You may find these items sold as a kit at your local hardware store.

Use Copper Tubing	Use Plastic Tubing
<ul style="list-style-type: none"> • 1/4" copper tubing • 1/4" compression nut (1pc) • Ferrule (2pc) 	<ul style="list-style-type: none"> • 1/4" plastic tubing → Molded end(Bulb) • 1/4" compression nut (1pc)



01 SETTING UP

1. Connect the household water line to the assembled compression fitting.
 - If you are using copper tubing, slip the compression nut (not supplied) and ferrule (not supplied) on copper tubing (not supplied) as shown.
 - If you are using plastic tubing, insert the molded end(Bulb) of the plastic tubing into the compression fitting.

CAUTION Do not use without the molded end(Bulb) of the plastic tubing.

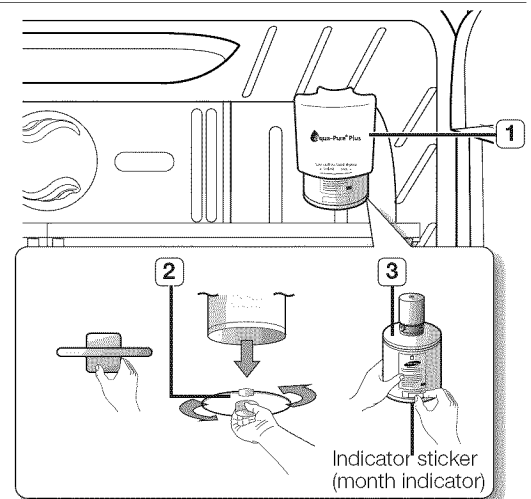
2. Tighten the compression nut onto the compression fitting. Do not over-tighten the compression nut.
3. Turn water on and check for any leakage.

- ☑ Only connect the water line to a drinkable water source.
- ☑ If you have to repair or disassemble the water line, cut off 1/4" of the plastic tubing to make sure you get a snug, leak-free connection.

Installing the water filter.

- ☑ After remove the right side upper shelf, you can install the water filter more easily.

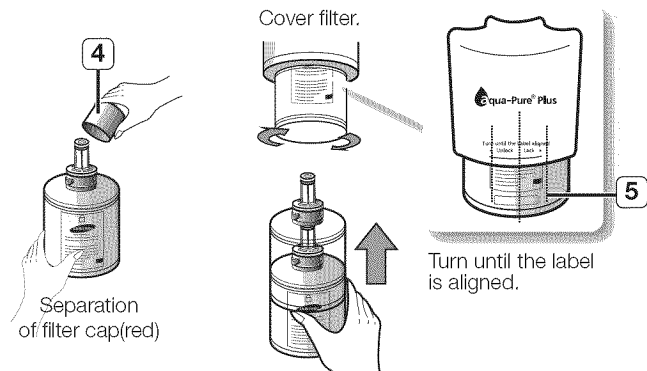
1. Remove the water filter cover (1)
2. Remove the fixed cap (2) by turning it counter clockwise. Keep the cap in a safe place for later use if you don't use the filter.
3. Remove the water filter (3) from the box and put a replacement indicator sticker (Indicator sticker is included in the box) on the filter as shown. Place the sticker on the filter that dates six months in the future. For example, if you install the water filter in March, put the "SEP" sticker on the filter to remind you to replace it in September. This way, you can remember the time to replace the water filter. Normally, a filter life is about 6 months.



Setting Up _19

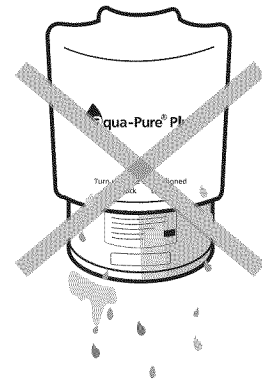
Setting up your French Door Refrigerator

4. Remove the filter cap (4) and insert the filter into the filter housing.
5. Slowly turn the water filter 90° clockwise to align with the printing mark on the cover, locking the filter in position. Make sure to align the water filter label mark (5) with center of cover filter printing as illustrated. Remember, do not over-tighten.



Removing any residual matter inside the water supply line after installing the water filter.

1. Turn on the main water supply & turn on the valve to the water supply line.
2. Run water through the dispenser until the water runs clear (approx. 6-7minutes). This will clean the water supply system and remove air from the lines.
3. Additional clearing time may be required in some households.
4. Open the Refrigerator door and make sure there are no water leaks coming from the water filter.



- Be sure to flush the dispenser thoroughly or water may leak from it. This is due to the fact that there is still air in the line.

Reverse Osmosis Water Supply

IMPORTANT : The pressure of the water supply coming out of a reverse osmosis system going to the water inlet valve of the refrigerator needs to be between 35 and 120 psi (241 and 827 kPa).

If a reverse osmosis water filtration system is connected to your cold water supply, the water pressure to the reverse osmosis system needs to be a minimum of 40 to 60 psi (276 to 414 kPa.)

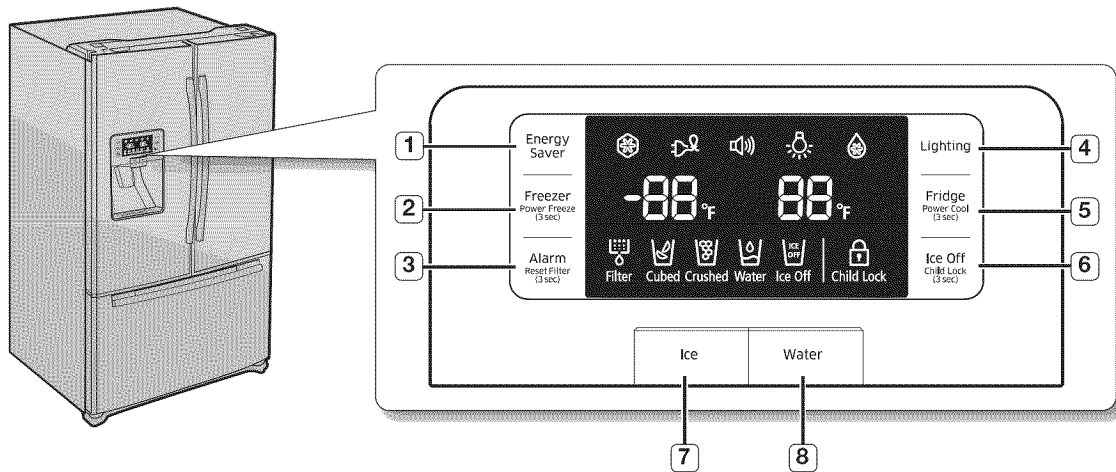
If the water pressure to the reverse osmosis system is less than 40 to 60 psi (276 to 414 kPa):

- Check to see whether the sediment filter in the reverse osmosis system is blocked. Replace the filter if necessary.
- Allow the storage tank on the reverse osmosis system to refill after heavy usage.
- If your refrigerator has a water filter, it may further reduce the water pressure when used in conjunction with a reverse osmosis system. Remove the water filter.

If you have questions about your water pressure, call a licensed, qualified plumber.

Operating your French Door Refrigerator (RFG237 MODEL)

USING THE CONTROL PANEL



(1) Energy Saver

Press the **Energy Saver** button for better energy efficiency. If water drops appear on the doors, turn the **Energy Saver** function off.

(2) Freezer / Power Freeze (3 sec)

Press the **Freezer / Power Freeze (3 sec)** button to set the freezer to your desired temperature. You can set the temperature between -8°F and 8°F. Press and hold the **Freezer / Power Freeze (3 sec)** button for 3 seconds to speed up the time needed to freeze products in the freezer. It can be helpful if you need to quickly freeze easily spoiled items or if the temperature in the freezer has warmed dramatically (For example, if the door was left open).

(3) Alarm / Reset Filter (3 sec)

Press the **Alarm / Reset Filter (3 sec)** button to turn off the door open alarm. (At first, alarm mode is On.) After removing the old water filter and installing a new one, reset the indicator by pressing and holding this button for 3 seconds. (The indicator is lit at first and will light again in about 6 months to let you know it is time to change your water filter.)

(4) Lighting

Press the **Lighting** button to turn on the Dispenser LED lamp.

(5) Fridge / Power Cool (3 sec)

Press the **Fridge / Power Cool (3 sec)** button to set the fridge to your desired temperature. You can set the temperature between 34°F and 46°F. Press and hold the **Fridge / Power Cool (3 sec)** button for 3 seconds to speed up the time needed to cool products in the refrigerator. It can be helpful if you need to quickly cool easily spoiled items or if the temperature in the fridge has warmed dramatically (For example, if the door was left open).

(6) Ice off / Child Lock (3 sec)

Press the **Ice off / Child Lock (3 sec)** button to turn the fridge or freezer ice making function off. If you press and hold this button for 3 seconds, the display and dispenser will be locked.

(7) Ice

Press the **Ice** button to select your desired ice type. Cubed and crushed ice modes will be alternatively changed whenever you press the button. This mode can not be used with the Water mode simultaneously.

(8) Water

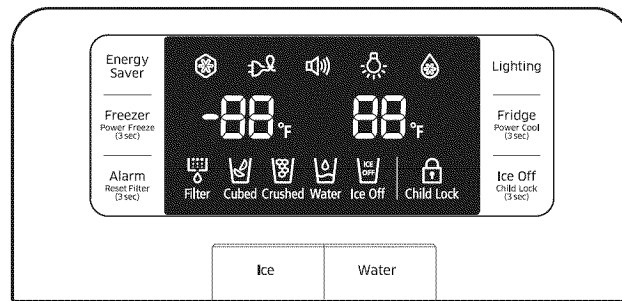
Press the **Water** button to dispense water. This mode can not be used with the Ice Type mode simultaneously. Water mode will be off if you press the Ice Type button.

Some functions are activated after a few-second delay when the buttons are pressed, while others operate immediately. This is normal operation.

Operating your French Door Refrigerator

USING THE DIGITAL DISPLAY

If you do not press any button, freezer & fridge temperature indicator will turn off in a few seconds. If any button is pressed, the display will light up again.



Power Freeze

This icon will light up when you press the **Freezer / Power Freeze (3 sec)** button for 3 seconds. **Power Freeze** is great when you need a lot of ice. When you have enough ice, just press the same button again for 3 seconds to cancel the **Power Freeze** mode. After 2 and a half hours, **Power Freeze** mode will turn off automatically to decrease energy consumption.

Cubed Ice , Crushed Ice , Water

Enjoy cubed or crushed ice by selecting your preference from the digital control panel. If you don't need ice, turn the function off to save on water and energy consumption. Each Ice type icon will light up by your selection.

Power Cool

This icon will light up when you press the **Fridge / Power Cool (3 sec)** button for 3 seconds. For a quick fridge cool down, use **Power Cool** mode. If you want to cancel the **Power Cool** mode, just press the same button again for 3 seconds. After 2 and a half hours, **Power cool** mode will turn off automatically to decrease energy consumption.


Filter

When the filter indicator light is on, it is time to change the filter. Typically this happens about every 6 months. The filter indicator will be Blue when you initially insert the water filter. The filter indicator will be Light Pink when you have used your water filter for 270 gallons. The filter indicator will be Red when you have used your water filter for 300 gallons.

After removing the old water filter and installing a new one (see page 41 of the owner's manual for instructions) when the filter indicator is red, reset the indicator by pressing and holding the "Alarm / Reset Filter (3 sec)" button for 3 seconds. (The filter indicator will be blue or yellow green when the indicator is reset.)

Cooling off Mode ("OF & OF" code on the display)

Cooling Off Mode stops cooling in the freezer and refrigerator compartments, but does not shut off electrical power to the refrigerator. To use this feature, press **Energy Saver** Button and **Freezer / Power Freeze (3 sec)** Button simultaneously for 3 seconds until an alarm sound is heard. To cancel this mode, press the same buttons again for 3 seconds and the refrigerator will return to cooling mode.

 This function is for store display refrigerators. It is not for customer use.

Energy saver

This icon will light up when you press the **Energy Saver** button. The Energy Saver function is automatically set to “ON” when power is supplied to the refrigerator. If condensation occurs on the doors, turn the Energy Saver mode off.

Lighting

This icon will light up when you press the **Lighting** button. In this case, the dispenser light (under the display) will be on constantly. If you would like the dispenser light to come on only when using the dispenser, turn the Lighting mode off.

Alarm

This icon will light up when you press the **Alarm** button. The door alarm will sound if any door is open for more than 3 minutes. The beeping stops when you close the door. Initially the Alarm is set to on.

Ice off

This icon will light up when you press the “Ice Off” button. In this case, the ice will not be produced.

Lock

This icon will light up when you press the **Lock** button. In this case, you won't be able to use the control panel. If you press and hold the Ice Off/Hold button for 3 sec to unlock Child Lock, you will be able to use the control panel again.

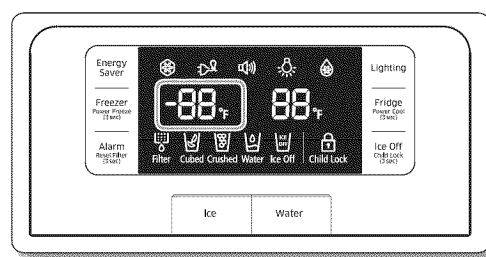
CONTROLLING THE TEMPERATURE

Basic temperature of Freezer and Refrigerator Compartments

The basic temperature and/or recommended temperatures of the freezer and refrigerator Compartments are -2°F and 38°F respectively. If the temperature of freezer and fridge Compartments are too high or low, adjust the temperature manually.

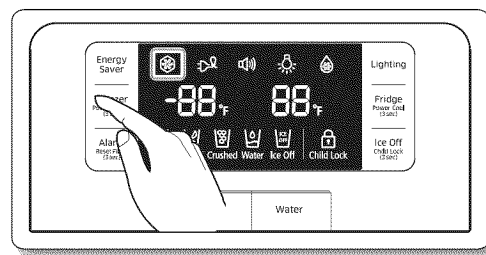
Controlling the Freezer temperature

The freezer temperature can be set between 8°F and -8°F to suit your particular needs. Press the freezer button repeatedly until the desired temperature is shown in the temperature display. The temperature will move 2°F degrees each push (-2°F → -4°F → -6°F → -8°F → 8°F → 6°F → 4°F → 2°F → 0°F → -2°F). Keep in mind that foods like some ice cream may melt at 4°F. The temperature display will move sequentially from -8°F to 8°F.



Using the Power Freeze

If you need a lot of ice or if you want to cool down the freezer faster, you can use the **Power Freeze** function. Press and hold the **Freezer / Power Freeze (3 sec)** button for 3 seconds. Then, the power freeze indicator will light and activate the power freeze mode independent of the freezer set temperature. If you select **Power freeze**, the inside temperature of the freezer will decrease for about two and a half hours. When you have enough ice, just press and hold the button for 3 seconds again to cancel the **Power Freeze** mode. Then, the indicator will go out and the freezer will return to the set temperature again.



Operating your French Door Refrigerator (RFG237 MODEL)

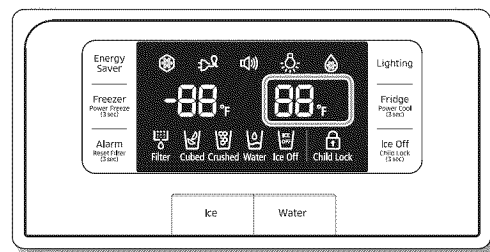
CONTROLLING THE TEMPERATURE

Controlling the fridge temperature

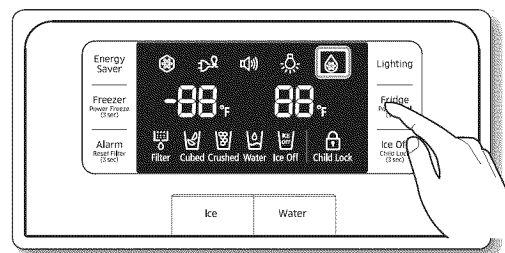
The fridge temperature can be set between 46°F and 34°F to suit your particular needs. Press the fridge button repeatedly until the desired temperature is shown in the temperature display. The temperature will move 2°F degrees each press (38°F → 36°F → 34°F → 46°F → 44°F → 42°F → 40°F → 38°F). The temperature control process for the fridge works just like the freezer process. Press the fridge button to set your desired temperature. After a few seconds, the fridge will begin adjusting towards the newly set temperature. This will be reflected in the digital display.

Using the Power Cool

For a quick Fridge cool down, use the **Power Cool** function. Press and hold the **Fridge / Power Cool (3 sec)** button for 3 seconds. Then, the power cool indicator will light and activate the power cool mode independent of fridge set temperature. If you select **Power Cool**, the inside temperature of the fridge will decrease for about two and a half hours or until 25°F is reached. Press and hold the button for 3 seconds again to cancel the **Power Cool** mode. Then, the indicator will go out and the Refrigerator will return to the set temperature again.

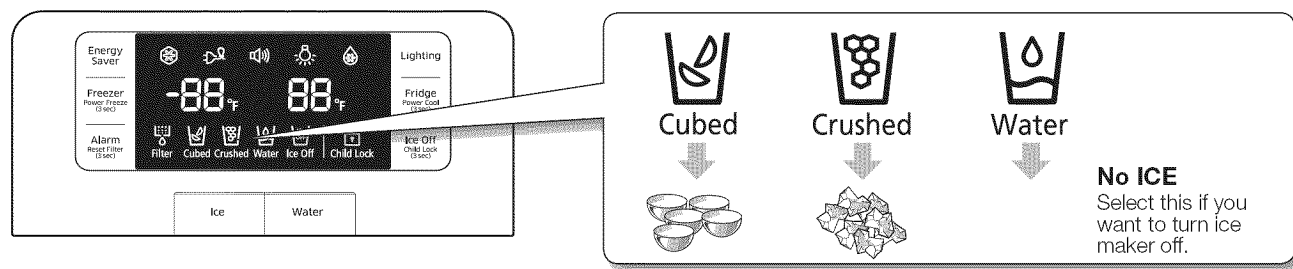


- The temperature of the Freezer, fridge or Pantry Room may rise when you open the doors too frequently, or if a large amount of warm or hot food is placed inside.
- This may cause the digital display to blink. Once the Freezer and fridge temperature return to their normal set temperatures, the blinking will stop.
- If the blinking continues, you may need to “reset” the Refrigerator. Try unplugging the appliance, wait for around 10 minutes and then plug the power cord back in.
- If there is an communication error between the Display and Main Controller, the Pantry Display light may blink. Once the normal set temperatures are reached, the blinking will stop. If the blinking continues for a long period of time, please contact a Samsung Electronics Service Center.



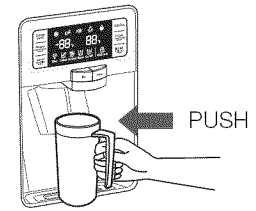
USING THE COLD WATER DISPENSER

Press the Ice / Water button to select the type of you want



Using the ice Dispenser

Place a glass underneath the ice dispenser and push gently against the dispenser lever with your glass. Make sure the glass is in line with the dispenser to prevent the ice from bouncing out.



Before or during using, wash ice bin/bucket with a mild detergent, rinse well, and dry thoroughly it. Do not use harsh or abrasive cleaners or solvents.



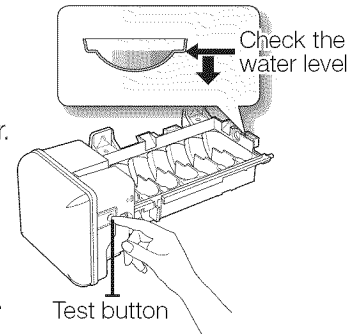
Please wait 2 seconds before removing the glass under the dispenser to prevent spills. If the Refrigerator door opens, the Dispenser does not work.



- When Cubed Ice is selected after using the Crushed Ice mode, a small amount of residual crushed ice might be produced.



- If ice doesn't come out, pull out the ice bucket and press the test button located on the right side of ice maker.
- Do not press the test button continuously when the tray is filled with ice or water. Water may overflow or ice jamming may occur.



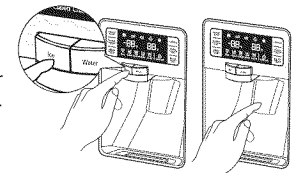
• Normal Use

To fill the ice bucket to maximum capacity after installation, make sure to do the following steps.

1. Allow your refrigerator to operate and cool down for 24 hours(or 1 full day).
2. Waiting 24 hours will allow your ice maker to cool properly.
3. Dispense 4 to 6 ice cubes into the glass.
4. After 8 and 16 hours, dispense a full glass of ice.



When you dump the ice from the ice bucket, you should press the dispenser lever once with the 'ICE CUBED' or 'CRUSHED' function ON to get new ice faster after replacing the ice bucket in the refrigerator.

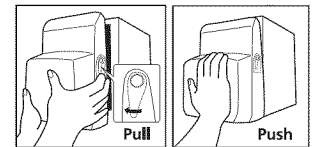


If you use all the ice at once, steps 3 and 4 above must be repeated (before dispensing the first 4 to 6 ice cubes, you need to wait for 8 hours). This will replenish the ice cubes and ensure maximum ice production.

Using the ice off Function

When selecting the Ice Off mode, remove all ice cubes from the bucket. If you are not using the ice dispenser, the ice cubes may clump together.

Pull the lock lever forward to throw away ice cubes or remove clumped ice from the bucket. Push the bucket back until you hear a click.



Use only the ice maker provided with the refrigerator.

The water supply to this refrigerator must only be installed/connected by a suitably qualified person and connect to a potable water supply only.

In order to operate the ice maker properly, water pressure of 20 ~ 125 psi is required.

If you have a long vacation or business trip and won't use water or ice dispensers, close the water valve.

- Otherwise, water leakage may occur.

Wipe excess moisture from inside and leave the doors open.

- Otherwise, odor and mold may develop.

Do not put your fingers, hands or any other unsuitable objects in the chute or ice-maker bucket.

- It may result in personal injury or material damage.

Never put your finger or any other objects in the dispenser opening.

- It may cause injury.

Do not try to disassemble the ice maker.

Do not wash or spray the ice bucket with water.



Water clouding phenomenon

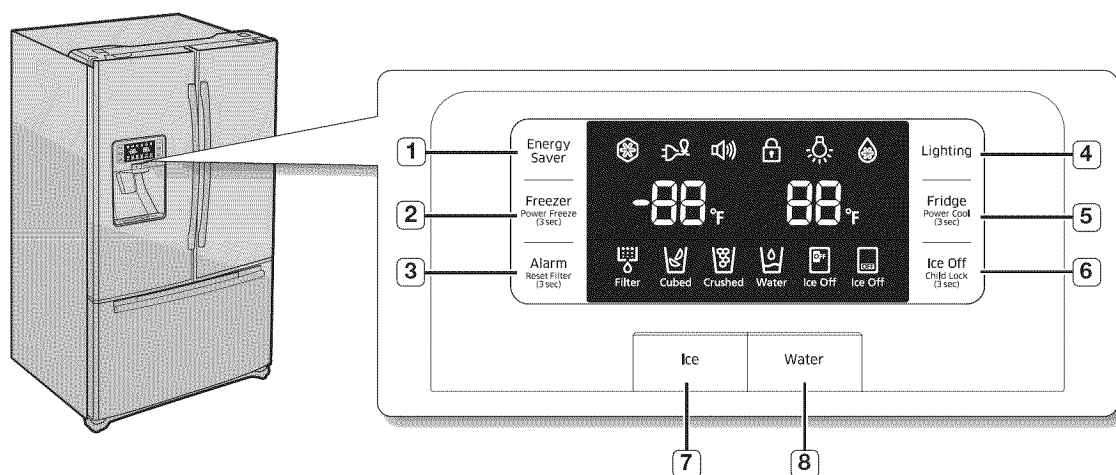
All water provided to refrigerators flows through the core filter which is an alkaline water filter. In this process, the pressure in the water that has flowed out of the filter gets increased, and oxygen and nitrogen become saturated. When this water flows out in the air, the pressure plummets and the oxygen and nitrogen get supersaturated so that they turn into gas bubbles. The water could look misty due to these oxygen bubbles. The water may look temporarily cloudy due to these oxygen bubbles. After a few seconds, the water will look clear.



Please wait 1 second before removing the cup after dispensing water to prevent water dribble. Do not pull out the lever dispenser after taking out ice or water. It comes back automatically. Ice is made in cubes. When you select "Crushed", the ice maker grinds the ice cubes into crushed ice.

Operating your French Door Refrigerator (RFG238 MODEL)

USING THE CONTROL PANEL



(1) Energy Saver

Press the **Energy Saver** button for better energy efficiency. If water drops appear on the doors, turn the **Energy Saver** function off.

(2) Freezer / Power Freeze (3 sec)

Press the **Freezer / Power Freeze (3 sec)** button to set the freezer to your desired temperature. You can set the temperature between -8°F and 8°F. Press and hold the **Freezer / Power Freeze (3 sec)** button for 3 seconds to speed up the time needed to freeze products in the freezer. It can be helpful if you need to quickly freeze easily spoiled items or if the temperature in the freezer has warmed dramatically (For example, if the door was left open).

(3) Alarm / Reset Filter (3 sec)

Press the **Alarm / Reset Filter (3 sec)** button to turn off the door open alarm. (At first, alarm mode is On) After removing the old water filter and installing a new one, reset the indicator by pressing and holding this button for 3 seconds. (The indicator is lit at first and will light again in about 6 months to let you know it is time to change your water filter.)

(4) Lighting

Press the **Lighting** button to turn on the Dispenser LED lamp.

(5) Fridge / Power Cool (3 sec)

Press the **Fridge / Power Cool (3 sec)** button to set the fridge to your desired temperature. You can set the temperature between 34°F and 46°F. Press and hold the **Fridge / Power Cool (3 sec)** button for 3 seconds to speed up the time needed to cool products in the refrigerator. It can be helpful if you need to quickly cool easily spoiled items or if the temperature in the fridge has warmed dramatically (For example, if the door was left open).

(6) Ice off / Child Lock (3 sec)


Press the **Ice off / Child Lock (3 sec)** button to turn the fridge or freezer ice making function off. If you press and hold this button for 3 seconds, the display and dispenser will be locked.

(7) Ice

Press the **Ice** button to select your desired ice type. Cubed and crushed ice modes will be alternatively changed whenever you press the button. This mode can not be used with the Water mode simultaneously.

(8) Water

Press the **Water** button to dispense water. This mode can not be used with the Ice Type mode simultaneously. Water mode will be off if you press the Ice Type button.

 Some functions are activated after a few-second delay when the buttons are pressed, while others operate immediately. This is normal operation.

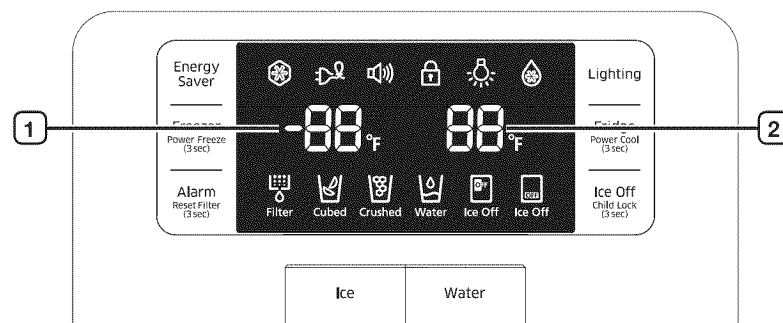
Operating your French Door Refrigerator (RFG238 MODEL)

USING THE DIGITAL DISPLAY

Freezer Temp (1) indicates the current freezer temperature.

Fridge Temp (2) indicates the current refrigerator temperature.

If you do not press any button, freezer & fridge temperature indicator will turned off in a few seconds. If any button is pressed, the display will light up again.



Power Freeze

This icon will light up when you press the **Freezer / Power Freeze (3 sec)** button for 3 seconds.

Power Freeze is great when you need a lot of ice. When you have enough ice, just press the same button again for 3 seconds to cancel the **Power Freeze** mode. After 2 and a half hours, **Power Freeze** mode will turn off automatically to decrease energy consumption.

Cubed Ice , Crushed Ice , Water

Enjoy cubed or crushed ice by selecting your preference from the digital control panel. If you don't need ice, turn the function off to save on water and energy consumption. Each Ice type icon will light up by your selection.

Power Cool

This icon will light up when you press the **Fridge / Power Cool (3 sec)** button for 3 seconds. For a quick fridge cool down, use **Power Cool** mode. If you want to cancel the **Power Cool** mode, just press the same button again for 3 seconds. After 2 and a half hours, **Power cool** mode will turn off automatically to decrease energy consumption.

Filter

When the filter indicator light is on, it is time to change the filter. Typically this happens about every 6 months.

The filter indicator will be Blue when you initially insert the water filter.


The filter indicator will be Light Pink when you have used your water filter for 270 gallons.

The filter indicator will be Red when you have used your water filter for 300 gallons.

After removing the old water filter and installing a new one(see page 41 of the owner's manual for instructions) when the filter indicator is red, reset the indicator by pressing and holding the "Alarm/Hold 3 sec for Filter Reset" button for 3 seconds. (The filter indicator will be blue or yellow green when the indicator is reset.)

Cooling off Mode ("OF & OF" code on the display)

Cooling Off Mode stops cooling in the freezer and refrigerator compartments, but does not shut off electrical power to the refrigerator. To use this feature, press **Energy Saver** Button and **Freezer / Power Freeze (3 sec)** Button simultaneously for 3 seconds until an alarm sound is heard. To cancel this mode, press the same buttons again for 3 seconds and the refrigerator will return to cooling mode.

 This function is for store display refrigerators. It is not for customer use.

Energy saver

This icon will light up when you press the **Energy Saver** button. The Energy Saver function is automatically set to “ON” when power is supplied to the refrigerator. If condensation occurs on the doors, turn the Energy Saver mode off.

Lighting

This icon will light up when you press the **Lighting** button. In this case, the dispenser light (under the display) will be on constantly. If you would like the dispenser light to come on only when using the dispenser, turn the Lighting mode off.

Alarm

This icon will light up when you press the **Alarm** button. The door alarm will sound if any door is open for more than 3 minutes. The beeping stops when you close the door. Initially the Alarm is set to on.

Fridge Ice off

This icon will light up when you press the **Fridge Ice Off** button. In this case, the fridge ice will not be produced.

Freezer Ice off

This icon will light up when you press the **Freezer Ice Off** button. In this case, the freezer ice will not be produced.

- As this refrigerator has a dual Ice Maker, there is a possibility of using more energy. We recommend if you have enough ice, set **Ice Off** to save energy.
- You may occasionally hear noises from Ice dropping or water flowing to the icemaker. These noises are part of normal operation.

Lock

This icon will light up when you press the **Lock** button. In this case, you won't be able to use the control panel. If you press and hold the Ice Off/Hold button for 3 sec to unlock Child Lock, you will be able to use the control panel again.

CONTROLLING THE TEMPERATURE

Basic temperature of Freezer and Refrigerator Compartments

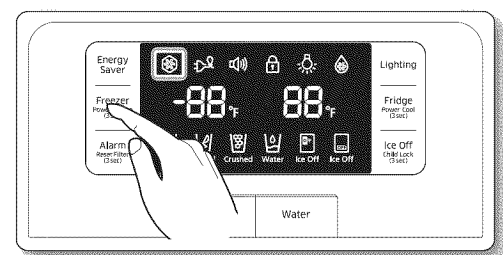
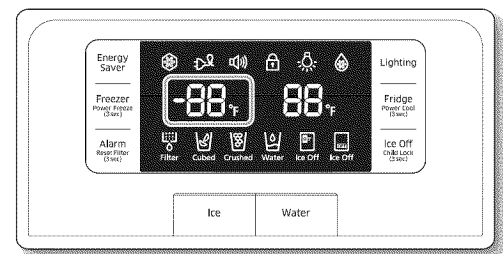
The basic temperature and/or recommended temperatures of the freezer and fridge Compartments are -2°F and 38°F respectively. If the temperature of freezer and fridge Compartments are too high or low, adjust the temperature manually.

Controlling the Freezer temperature

The freezer temperature can be set between 8°F and -8°F to suit your particular needs. Press the freezer button repeatedly until the desired temperature is shown in the temperature display. The temperature will move 2°F degrees each push (-2°F → -4°F → -6°F → -8°F → 8°F → 6°F → 4°F → 2°F → 0°F → -2°F). Keep in mind that foods like some ice cream may melt over 4°F. The temperature display will move sequentially from -8°F to 8°F. Five seconds after the new temperature is set, the display will show the actual current freezer temperature until the new temperature is reached.

Using the Power Freeze

If you need a lot of ice or if you want to cool down the freezer faster, you can use the **Power Freeze** function. Press and hold the **Freezer / Power Freeze (3 sec)** button for 3 seconds. Then, the power freeze indicator will light and activate the power freeze mode independent of the freezer set temperature. If you select **Power freeze**, the inside temperature of the freezer will decrease for about two and a half hours. When you have enough ice, just press and hold the button for 3 seconds again to cancel the **Power Freeze** mode. Then, the indicator will go out and the freezer will return to the set temperature again.



Operating your French Door Refrigerator (RFG238 MODEL)

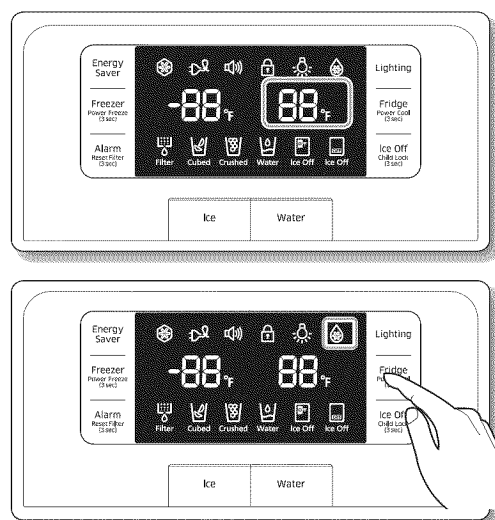
Controlling the fridge temperature

The fridge temperature can be set between 46°F and 34°F to suit your particular needs. Press the fridge button repeatedly until the desired temperature is shown in the temperature display. The temperature will move 2°F degrees each press (38°F → 36°F → 34°F → 46°F → 44°F → 42°F → 40°F → 38°F). The temperature control process for the fridge works just like the freezer process. Press the fridge button to set your desired temperature. After a few seconds, the fridge will begin adjusting towards the newly set temperature. This will be reflected in the digital display.

Using the Power Cool

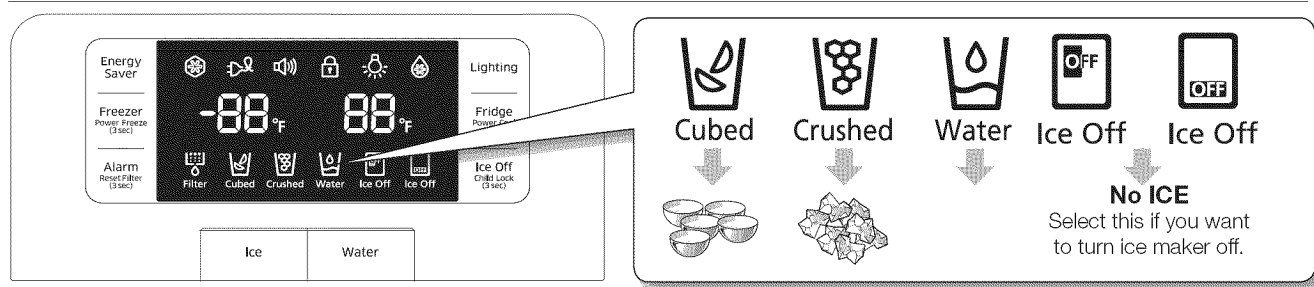
For a quick Fridge cool down, use the **Power Cool** function. Press and hold the **Fridge / Power Cool (3 sec)** button for 3 seconds. Then, the power cool indicator will light and activate the power cool mode independent of fridge set temperature. If you select **Power Cool**, the inside temperature of the fridge will decrease for about two and a half hours or until 25°F is reached. Press and hold the button for 3 seconds again to cancel the **Power Cool** mode. Then, the indicator will go out and the Refrigerator will return to the set temperature again.

- ✍ - The temperature of the Freezer, fridge or Pantry Room may rise when you open the doors too frequently, or if a large amount of warm or hot food is placed inside.
- This may cause the digital display to blink. Once the Freezer and fridge temperature return to their normal set temperatures, the blinking will stop.
- If the blinking continues, you may need to “reset” the Refrigerator. Try unplugging the appliance, wait for around 10 minutes and then plug the power cord back in.
- If there is an communication error between the Display and Main Controller, the Pantry Display light may blink. Once the normal set temperatures are reached, the blinking will stop. If the blinking continues for a long period of time, please contact a Samsung Electronics Service Center.



USING THE COLD WATER DISPENSER

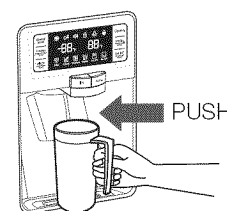
Press the Ice type or Water button to select the type of you want



Using the ice Dispenser

Place a glass underneath the ice dispenser and push gently against the dispenser lever with your glass. Make sure the glass is in line with the dispenser to prevent the ice from bouncing out.

- CAUTION** Before or during using, wash ice bin/bucket with a mild detergent, rinse well, and dry thoroughly it. Do not use harsh or abrasive cleaners or solvents.
- CAUTION** Please wait 2 seconds before removing the glass under the dispenser to prevent spills.
- CAUTION** If the Refrigerator door opens, the Dispenser does not work.
- CAUTION** When Cubed Ice is selected after using the Crushed Ice mode, a small amount of residual crushed ice might be produced.



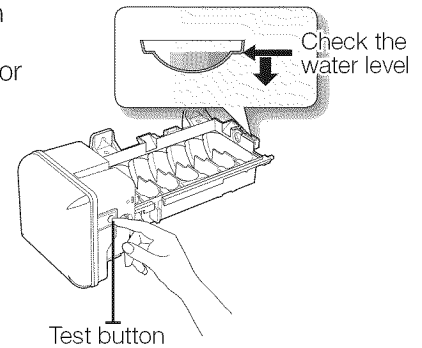


- If ice doesn't come out, pull out the ice bucket and press the test button located on the right side of ice maker.
- Do not press the test button continuously when the tray is filled with ice or water. Water may overflow or ice jamming may occur.

• Normal Use

To fill the ice bucket to maximum capacity after installation, make sure to do the following steps.

1. Allow your refrigerator to operate and cool down for 24 hours (or 1 full day).
2. Waiting 24 hours will allow your ice maker to cool properly.
3. Dispense 4 to 6 ice cubes into the glass.
4. After 8 and 16 hours, dispense a full glass of ice.



If a power failure occurs, ice cubes may melt then freeze together when the power comes back on, causing the dispenser to be out of order.

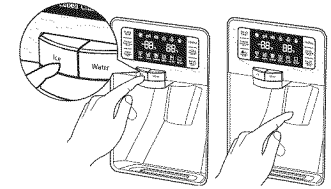
To prevent this problem, pull out the ice bucket and discard the residual ice or water.



When you dump the ice from the ice bucket, you should press the dispenser lever once with the 'ICE CUBED' or 'CRUSHED' function ON to get new ice faster after replacing the ice bucket in the refrigerator.



If you use all the ice at once, steps 3 and 4 above must be repeated (before dispensing the first 4 to 6 ice cubes, you need to wait for 8 hours). This will replenish the ice cubes and ensure maximum ice production.



Using the water dispenser

Place a glass underneath the water outlet and push gently against the water dispenser lever with your glass. Make sure the glass is in line with the dispenser to prevent the water from splashing out.

If you have just installed the refrigerator or installed a new water filter, Flush 3 gallons through filter before use (flush approximately 6 minutes). Make sure that water flows clearly again before drinking.



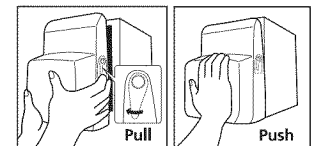
When you do not use the water dispenser for 2~3 days (especially during the summer), the dispensed water may have a funny smell or taste.

If this occurs, we recommend that you discard the first 1~2 glasses of water for better taste.

Using the ice off Function

When selecting the Ice Off mode, remove all ice cubes from the bucket. If you are not using the ice dispenser, the ice cubes may clump together.

Pull the lock lever forward to throw away ice cubes or remove clumped ice from the bucket. Push the bucket back until you hear a click.



Use only the ice maker provided with the refrigerator.

The water supply to this refrigerator must only be installed/connected by a suitably qualified person and connect to a potable water supply only.

To operate the ice maker properly, water pressure of 20 ~ 125 psi is required.

If you have a long vacation or business trip and won't use water or ice dispensers, close the water valve.

- Otherwise, water leakage may occur.

Wipe excess moisture from inside and leave the doors open.

- Otherwise, odor and mold may develop.

Do not put your fingers, hands or any other unsuitable objects in the chute or ice-maker bucket.

- It may result in personal injury or material damage.

Never put your finger or any other objects in the dispenser opening.

- It may cause injury.

Do not try to disassemble the ice maker.

Do not wash or spray the ice bucket with water.



Water clouding phenomenon

All water provided to refrigerators flows through the core filter which is an alkaline water filter. In this process, the pressure in the water that has flowed out of the filter gets increased, and oxygen and nitrogen become saturated. When this water flows out in the air, the pressure plummets and the oxygen and nitrogen get supersaturated so that they turn into gas bubbles. The water could look misty due to these oxygen bubbles. The water may look temporarily cloudy due to these oxygen bubbles. After a few seconds, the water will look clear.

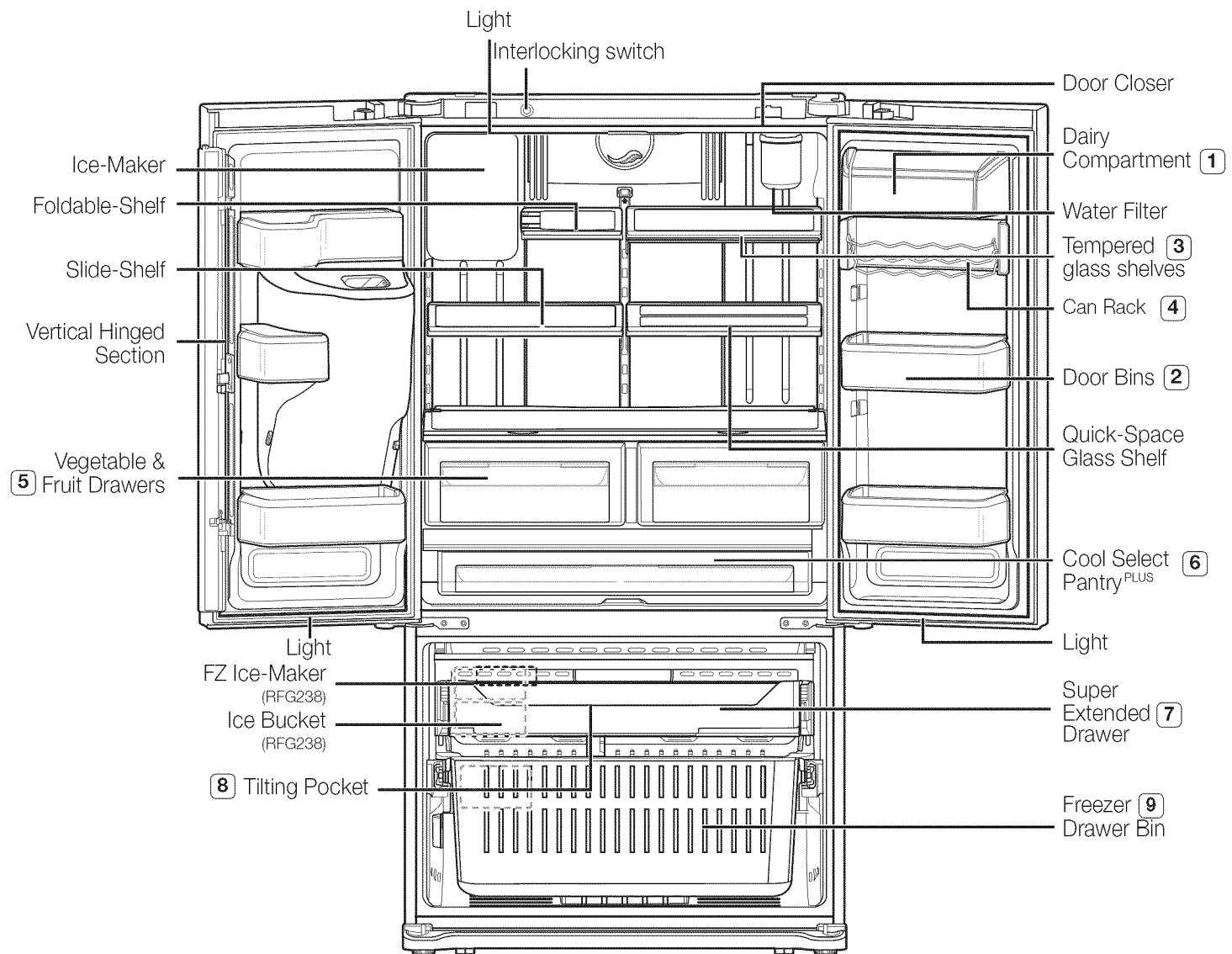



Please wait 1 second before removing the cup after dispensing water to prevent water dribble. Do not pull out the lever dispenser after taking out ice or water. It comes back automatically. Ice is made in cubes. When you select "Crushed", the ice maker grinds the ice cubes into crushed ice.


Operating your French Door Refrigerator

PARTS AND FEATURES

Use this page to become more familiar with the parts and features of the refrigerator.



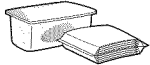

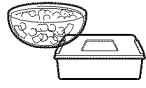


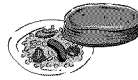
- 

When closing the door, make sure the Vertical Hinged Section is in the correct position to avoid scratching the other door.
 If the Vertical Hinged Section is reversed, put it back to the right position and close the door.
 Moisture may occur at times on the Vertical Hinged Section.
 The door handle may become loose over time. If this happens, tighten the bolts found on the inside of the door.
 If you slam one door, the other will be opened.
- 

When the door opens, the interlock switch automatically turns off the auger motor in the ice maker for safety reasons.

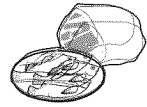
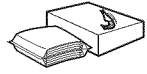

STORING FOOD IN THE FRIDGE

The Samsung French Door Refrigerator has been designed to provide you with maximum space saving features and functions. Here are some of the customized compartments we have created to keep your food fresher longer. In order to further prevent odor from seeping into the ice compartment, stored food should be wrapped securely and as airtight as possible.

(1) DAIRY COMPARTMENT	Can be used to store small dairy items like butter or margarine, yogurt or cream cheese bricks	
(2) DOOR BINS	Designed to handle large, bulky items such as gallons of milk or other large bottles and containers.	
(3) TEMPERED GLASS SHELVES	Designed to be crack-resistant, the shelves can be used to store all types of food and drinks. Circular marks on the glass surface are a normal phenomenon and can usually be wiped clean with a damp cloth.	
(4) CAN RACK	Designed to store beverage containers.	
(5) VEGETABLE & FRUIT DRAWERS	Used to preserve the freshness of your stored vegetables and fruits. This drawer could control the level of humidity for items that must keep the enough moisture. Keep vegetables and fruits separate when possible.	
(6) COOL SELECT PANTRYPLUS	Can be used for large party trays, deli items, pizzas, beverages or miscellaneous items.	

- Do not place any large articles of food under the lamp in the fridge. An air sensor is located near the lamp and if the sensor is blocked, your fridge may become too cold. Please place vegetable and fruits in the vegetable and fruit drawers to avoid freezing them. If the food in your fridge becomes frozen, please set the temperature higher.

STORING FOOD IN THE FREEZER DRAWER

(7) SUPER EXTENDED DRAWER	Best used to store meats or dry foods. Stored food should be placed in a container or wrapped securely using aluminum foil or other suitable wrapping materials.	
(8) TILTING POCKET	Can be used for small packages of frozen food.	
(9) FREEZER DRAWER BIN	Can be used to store meat and dry foods. Stored food should be placed in a container or wrapped securely using foil or other suitable wrapping materials.	

- Bottles should be stored tightly together so that they do not tip and fall out when the refrigerator door is opened.
- If you plan to go away for a long time, empty the refrigerator and turn it off. Wipe the excess moisture from the inside of the appliance and leave the doors open.

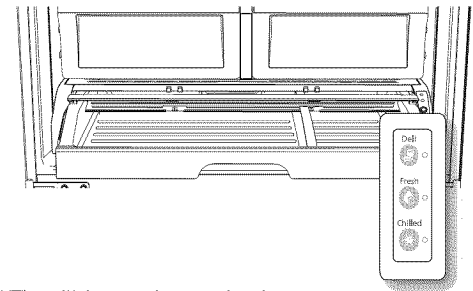
Operating your French Door Refrigerator

USING THE COOL SELECT PANTRY^{PLUS}

The Cool Select Pantry^{PLUS} is a full-width drawer with an adjustable temperature control. This pantry can be used for large party trays, deli items, pizzas, beverages or miscellaneous items.

There is a temperature sensor which can adjust the amount of cold air allowed into the pantry.

The control is located on the right side of the pantry.



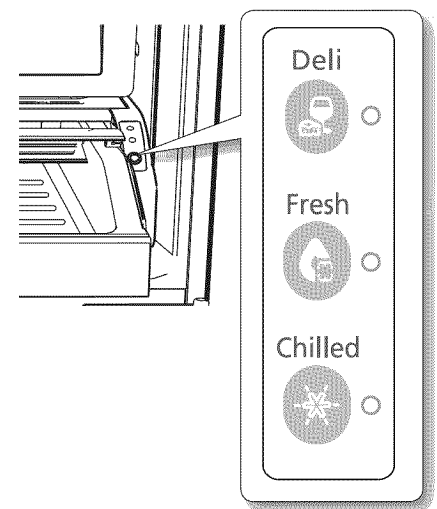
- Press the button you want.
The Chilled mode(34°F), Fresh mode(38°F) and Deli mode(41°F) will be selected whenever you press each button.
Initially, the Fresh mode is set. Though the set temperature is different from the current temperature, the temperature will be changed to the set temperature automatically.
- It can be changed Pantry temperature by amount of items, surround temperature, and frequency of door opening.
- It can be changed due to the grocery thermal loading in the pantry.

Temperature

You can select your pantry temperature from among Chilled mode(34°F), Fresh mode(38°F) and Deli mode(41°F) modes.

Selection Button

1. When “Deli” is selected, the temperature of the pantry will be kept around 41°F(5°C). This feature helps keep food fresh for a long time.
2. When “Fresh” is selected, the temperature of the pantry will be kept around 38°F(3°C). This feature helps keep food fresh for a longer time.
3. When “Chilled” is selected, the temperature of the pantry will be kept around 34°F(1°C). This feature also helps keep meat or fish fresh for a longer time.



Deli


- pineapples
- lemons
- avocados
- potatoes

Fresh

- cucumbers
- apples
- oranges
- grapes
- zucchinis
- corn

Chilled

- steaks
- hard cheeses
- cold cuts
- bacon
- hot dogs

 Fruits and vegetables may be damaged under the “Chilled” setting.
Do not store lettuce or other leafy produce in this setting.



CAUTION Do not store glass bottles in this pantry. If they are frozen, they can break and cause personal injury.

REMOVING THE REFRIGERATOR ACCESSORIES

1. Door Bins & Dairy Compartment

To remove - Simply lift the bin up and pull straight out.

To relocate - Slide it in above the desired location and push down until it stops.

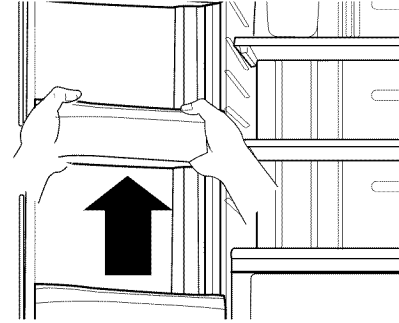


Injury may occur if the door bins are not firmly assembled.
Do not allow children to play with bins. Sharp corners of the bins may cause injury.



Do not adjust a bin with full of foods.

Dust removal method -Remove the guard and wash with water.



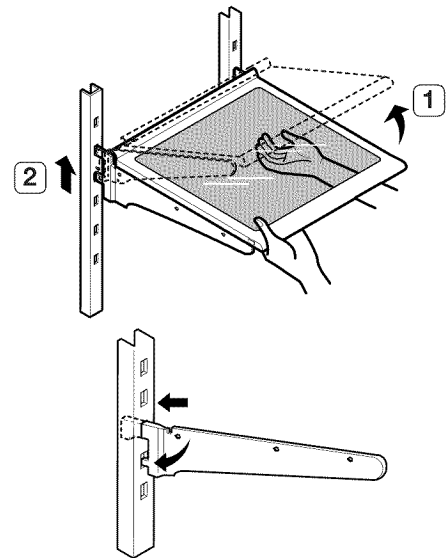
2. Tempered Glass shelves

To remove - Tilt up the front of the shelf in the direction shown (1) and lift it up vertically (2). Pull the shelf out.

To relocate - Tilt the front of the shelf up and guide the shelf hooks into the slots at a desired height. Then lower the front of the shelf so that the hooks can drop into the slots.



The Tempered Glass shelves are heavy.
Use special care when removing them.



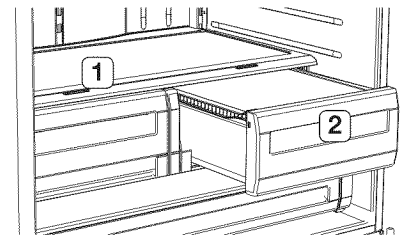
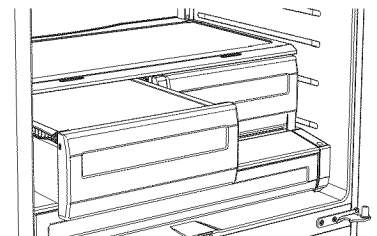
3. Vegetable & Fruit Drawers

To remove - Pull the drawer out to full extension. Tilt up the front of the drawer and pull straight out.

To relocate - Insert the drawer into the frame rails and push back into place.



The drawers (2) need to be removed before the glass shelf (1) lifted out.
Do not open the drawers while the pantry is open.
It may cause a scratch or breakage to the drawer covers.

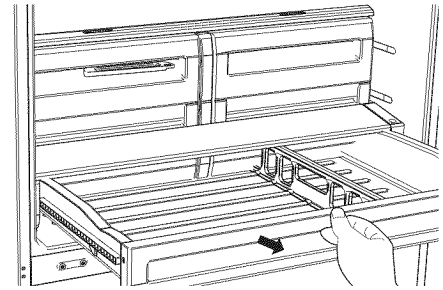


Operating your French Door Refrigerator

4. Cool Select Pantry ^{PLUS}

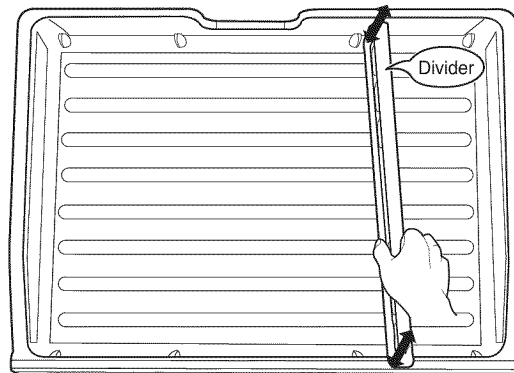
To remove the pantry - Pull the pantry out to full extension. Tilt up the front side of pantry and pull straight out.

To relocate the pantry - Pull the rails out to full extension of refrigerator. Place the drawer onto the rails and slide the pantry back until it is in place.



To remove the divider - Pull the pantry completely out to full extension and raise the front side of the divider to unhook it from the rear wall of the pantry, then lift the divider out.

To relocate the divider - Hook the back of the divider over the rear wall of the pantry and push the divider down.



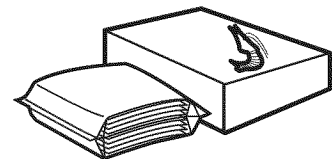
USING THE DOORS

The Refrigerator doors ensure that the doors close all the way and are securely sealed.

When the refrigerator door is only partially open, it will automatically close. But the door will stay open when opened more than the auto close range.

USING THE TILTING POCKET

The tilting pocket can be used to store small packages of frozen food.

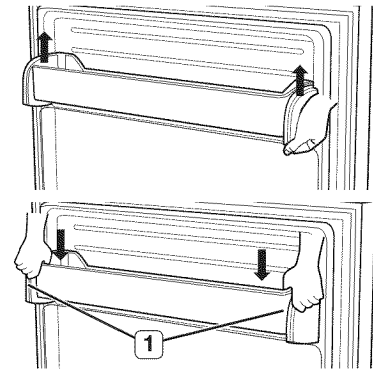


REMOVING THE FREEZER ACCESSORIES

1. Tilting Pocket

To remove - Pull both brackets (1) upward until you hear a clicking sound and remove the pocket

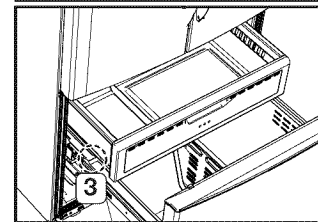
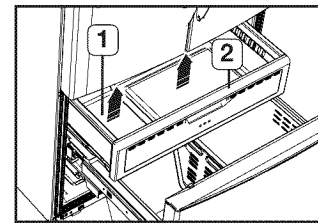
To relocate- Hook the ends of the pocket into both brackets (1) and push down until it locks into place.



2. Ice Bucket

To remove - Lift the ice bucket (1).

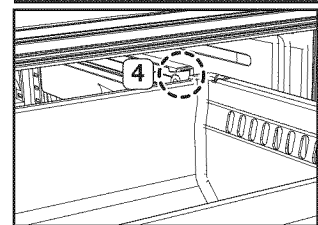
To relocate - Place the ice bucket into the Super extended drawer (2).



3. Super Extended Drawer

To remove - Pull the drawer out to full extension.
Tilt up the rear of the drawer and lift straight out.

To relocate - Place the drawer onto the rails (4) by tilting it up.
Lower the drawer into place until it is horizontal and slide the Drawer (3) in.



4. Freezer Drawer

To remove the freezer drawer - Pull the freezer drawer out fully.
Tilt up the rear of the bin and lift it out to remove.

To relocate the freezer drawer - Place the bin into the rail assembly.



You can scratch the side of the bin if you twist it left or right when disassembling or re-assembling it.



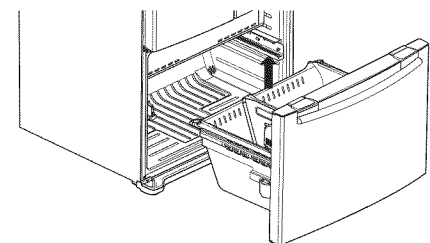
Do not allow babies or children go inside the freezer drawer. They could damage the refrigerator and seriously injure themselves. Do not sit on the freezer door. The door may break. Do not allow children to climb into the freezer drawer.



Do not remove the divider.



If trapped inside, children may become injury and suffocate to death.



Operating your French Door Refrigerator

FOOD STORAGE TIPS

Foods	Fridge	Freezer	Storage Tips
DAIRY PRODUCTS			
Butter	2-3 Weeks	6-9 Months	Wrap or cover tightly.
Milk	1-2 Weeks	Not recommended	Check date code. Most milk and similar products are sold in date-coded cartons that indicate a product's peak freshness. Re-seal with cap or wrap tightly. Do not return unused portions to original container.
Cream Cheese, cheese food, and cheese spread	2-4 Weeks	Not recommended	Check date code. Keep all cheese tightly packed in moisture proof wrap.
Hard Cheese(unopened)	3-4 Months	6 Months	
Hard Cheese(opened)	2 Months	Not recommended	
Cottage Cheese	10-15 Days	Not recommended	
Cream	7-10 Days	2 Months	
Sour Cream	2 Weeks	Not recommended	Check date code. Most yogurt, creams, and similar products are sold in date-coded cartons that indicate a product's peak freshness. Re-seal or cover tightly. Do not return unused portions to original container.
Cream Dips (opened)	1 week	Not recommended	
Yogurt	10-14 Days	Not recommended	Check date code. Keep covered.
Frozen Yogurt	n/a	2 Months	
EGGS			
Eggs (uncooked)	3-4 Weeks	Not recommended	Check date code. Store eggs in coldest part of refrigerator and in their original container.
Eggs (cooked)	1 week	Not recommended	Store in covered container.
Leftover egg dishes	3-4 Days	Not recommended	Store in covered container.
FRESH FRUITS			
Apples	1 Month	Not recommended	If storing in refrigerator, do not wash fruit before storing. Store in moisture resistant bags or containers. Wrap cut fruits. Some fruits darken when refrigerated.
Bananas	2-4 Days	Not recommended	
Peaches, Melons, Pears, Avocados	3-5 Days	Not recommended	
Berries and Cherries	2-3 Days	12 Months	
Apricots	3-5 Days	Not recommended	
Grapes	3-5 Days	n/a	
Pineapple (un-cut)	2-3 Days	Not recommended	
Pineapple (cut)	5-7 Days	6-12 Months	
Citrus	1-2 Weeks	Not recommended	Store uncovered.
Juice	6 Days	Not recommended	Check date code and re-seal in original container. Don not return unused portions to original container.
Frozen Juice	Thawing only	12 Months	Check date code. Do not re-freeze.

FOOD STORAGE TIPS

Foods	Fridge	Freezer	Storage Tips
FISH AND SHELLFISH			
Fish			
Fatty Fish (mackerel, trout, salmon)	1-2 Days	2-3 Months	Keep in original wrapper and store in coldest part of refrigerator. Package in vapor-proof and moisture proof wrap for freezer. Freeze at 0°F. Thaw in refrigerator or under cold running water.
Lean Fish (cod, flounder, etc)	1-2 Days	6 Months	
Frozen or Breaded	n/a	3 Months	Check date code. Freeze in original packaging.
Shellfish			
Shrimp (uncooked)	1-2 Days	12 Months	Freeze package in vapor and moisture-proof container.
Crab	3-5 Days	10 Months	
Cooked Fish or Shellfish	2-3 Days	3 Months	
MEAT			
Fresh, Uncooked			
Chops	2-4 Days	6-12 Months	Check date code for use. Store in coldest part of refrigerator in original packaging. Add more packaging in moisture-proof and vapor-proof container for freezing. Recommended refrigerator temperature 33°F to 36°F and freezer temperature 0°F to 2°F.
Ground	1 day	3-4 months	
Roast	2-4 Days	6-12 Months	
Bacon	1-2 weeks	1-2 Months	
Sausage	1-2 Days	1-2 Months	
Steak	2-4 Days	6-9 Months	
Poultry	1 day	12 Months	
Lunch meat	3-5 Days	1 month	
Cooked			
Meat	2-3 Days	2-3 Months	Check date code for use. Store in coldest part of refrigerator in original packaging. Package in moisture proof and vapor-proof container for freezing.
Poultry	2-3 Days	4-5 months	
Ham	1-2 weeks	1-2 Months	

Sources :

American Meat Institute Foundation. 1994. Yellow pages: answers to predictable questions consumers ask about meat and poultry. American Meat Institute

Food Marketing Institute. 1999. The food keeper. Food Marketing Institute, Washington, D.C.

Freeland-Graves, J.H. and G.C. Peckham. 1996. Foundations of food preparation, 6th ed. Prentice-Hall, Inc. Englewood Cliffs, NJ.

Hillers, V.N. 1993. Storing foods at home. Washington State University Cooperative Extension, Pullman, WA. Publ. EB 1205.

National Restaurant Association. 2001. Be cool-chill out! Refrigerate promptly. National Restaurant Association Education Foundation's International Food Safety Council, Washington, D.C.

USDA. 1997. Basics for handling food safely. U.S. Department of Agriculture, Food Safety and Inspection Service, Washington, D.C.

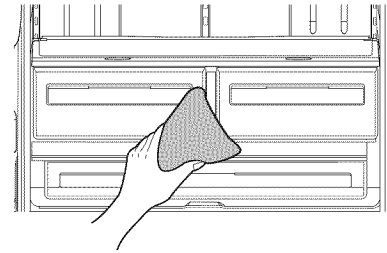
Operating your French Door Refrigerator

CLEANING THE REFRIGERATOR

Caring for your Samsung French Door Refrigerator prolongs the life of your appliance and helps keep the refrigerator free of odor and germs.

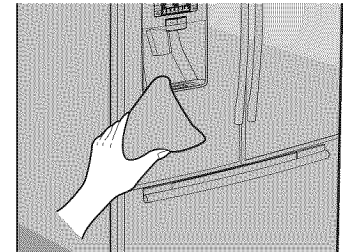
Cleaning the Interior


Clean the inside walls and accessories with a mild detergent and then wipe dry with a soft cloth. You can remove the drawers and shelves for a more thorough cleaning. Just make sure to dry drawers and shelves before putting them back into place.





Cleaning the Exterior

Wipe the control panel and digital display with a damp, clean, soft cloth. Do not spray water directly on the surface of the refrigerator. The doors, handles and cabinet surfaces should be cleaned with a mild detergent and then wiped dry with a soft cloth. To keep your appliance looking its best, polish the exterior once or twice a year.



 Do not spray water directly or not use a wet or damp cloth.


 Do not use benzene, thinner, or Clorox for cleaning. They may damage the surface of the appliance and may cause a fire.

 Printed letters on the display may be erased if the stainless cleaner is applied directly to the area where the letters are printed.



Cleaning the Ice / Water Dispenser

Push down one end of the tray dispenser and remove it. Wipe the Ice / Water Dispenser with a clean and soft cloth.

 When using the crushed ice selection from the dispenser some residual ice chips may start to collect in the ice chute. In order to prevent that residual ice from melting and running out of the chute you should clean out the residual ice when you see it start to collect in the ice chute.



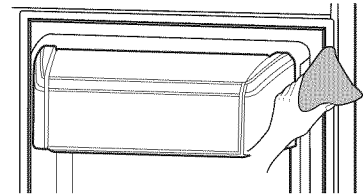
Operating your French Door Refrigerator

Cleaning the Rubber door seals

If the rubber door seals are dirty, the doors may not close properly, and the refrigerator will not operate efficiently. Keep the door seals free of dust or stain by cleaning the doors with a mild detergent and damp cloth. Wipe dry with a clean, soft cloth.



Do not clean the refrigerator with benzene, thinner, or car detergent due to risk of fire.

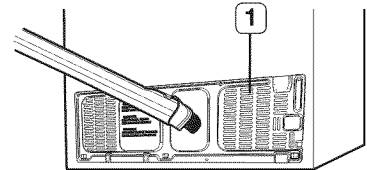


Cleaning the rear side of the refrigerator

To keep cords and exposed parts free of dust and dirt accumulation. Vacuum the rear side of the appliance once or twice a year.



Do not remove the back cover(1). You could suffer an electric shock.



REPLACING THE INTERIOR LIGHT

 For LED lamp, please contact service engineer to replace it.

CHANGING THE WATER FILTER

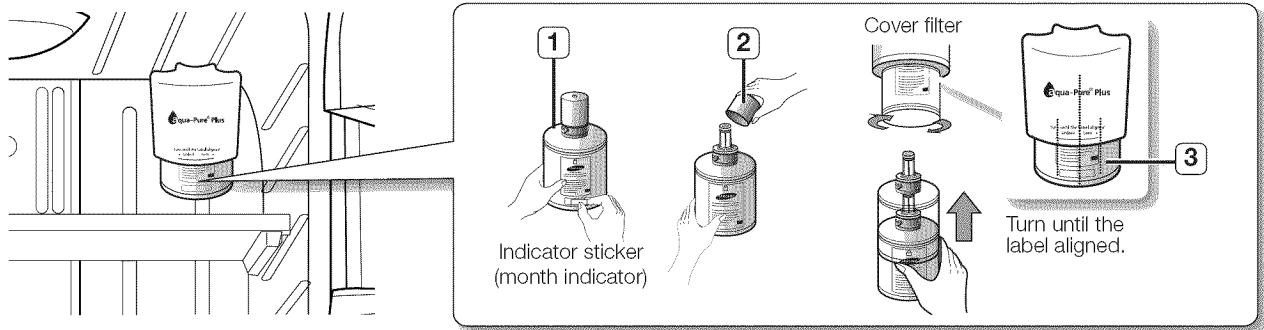


To reduce risk of water damage to your property DO NOT use generic brands of water filters in your SAMSUNG Refrigerator. USE ONLY SAMSUNG BRAND WATER FILTERS. SAMSUNG will not be legally responsible for any damage, including, but not limited to property damage caused by water leakage from use of a generic water filter. SAMSUNG Refrigerators are designed to work ONLY WITH SAMSUNG WATER Filter.

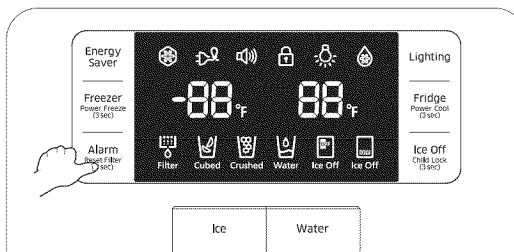
The “Filter” light lets you know when it is time to change your water filter cartridge. To give you preparation time to get a new filter, the red light will come on just before the capacity of the current filter runs out. Changing the filter on time provides you with the freshest, cleanest water from your refrigerator.



1. Take a new water filter and put a month indicator sticker (1) on the filter as shown. The date on the sticker must be six months from the current date. For example, if you are replacing the water filter in March, put the “SEP” (September) sticker on the filter to remind you to replace in September. Normal filter life is about 6 months.
2. Remove the new filter’s protective cap (2) and remove the old filter.
3. Position and insert the new filter into the cover filter. Slowly turn the water filter clockwise to align with the printing mark on the cover, locking the filter in position. Make sure to align the water filter label (3) mark with the center of cover filter printing as illustrated. Remember, do not over-tighten.



4. After above steps, press and hold the **Alarm / Reset Filter (3 sec)** button for 3 seconds to reset the filter.



5. Lastly, Flush 3 gallons through filter before use (flush approximately 6 minutes) Make sure that water flows clearly again before drinking.



Be sure to flush the dispenser thoroughly otherwise water may drip from the dispenser. This means that there is still air in the line.

Do NOT use the water or ice dispenser without a water filter cartridge because the water line may become blocked.

Ordering a Replacement Water Filter

For a replacement water filter, you can visit your local home improvement center or contact the Samsung Parts distributor.

Be sure the replacement water filter has the SAMSUNG logo on the box and on the water filter.

Link: <http://www.samsungparts.com>

Troubleshooting

PROBLEM	SOLUTION
The refrigerator does not work at all or it does not chill sufficiently.	<ul style="list-style-type: none"> • Check that the power plug is properly connected. • Check the set temperature on the digital display is warmer than the freezer or fridge inner temperature. • Set the refrigerator colder. • Is the refrigerator in direct sunlight or located near a heat source? • Is the back of the Refrigerator too close to the wall and therefore keeping air from circulating?
The food in the fridge is frozen.	<ul style="list-style-type: none"> • Check to see if the set temperature on the digital display is too low. • Try setting it to a warmer temperature. • Is the temperature in the room too low? Set the refrigerator warmer. • Did you store the food which soft in the coldest part of the refrigerator? • Try moving those items on the other shelves in fridge instead of keeping them in the Cool Select Pantry^{PLUS}.
You hear unusual noise or sounds.	<ul style="list-style-type: none"> • Check that the refrigerator is level and stable. • Is the back of the refrigerator too close to the wall and therefore keeping air from circulating? • Try locating the refrigerator at least 2 inches from the wall. • Was anything dropped behind or under the refrigerator? • A “ticking” sound is heard from inside the refrigerator. It is normal and occurs because various accessories are contracting or expanding according to the temperature of the refrigerator interior.
The cabinet-door sealing area of the appliance is hot and condensation is occurring.	<ul style="list-style-type: none"> • Some heat is normal as anti-condensators are installed in the vertical hinged section of the refrigerator to prevent condensation. • Is the refrigerator door ajar? Condensation can occur when you leave the door open for a long time. • If a sound that hit something is heard from inside the refrigerator, It is normal. The sound comes due to ice cubes rubbing in the bucket periodically.
Ice Maker is not producing ice.	<ul style="list-style-type: none"> • Did you wait for 12 hours after installation of the water supply line before making ice? • Is the water line connected and the shut-off valve opened? • Did you manually stop the ice making function? • Is the freezer temperature too warm? Try setting the freezer temperature lower.
You can hear water bubbling in the refrigerator.	<ul style="list-style-type: none"> • This is normal. The bubbling comes from refrigerant circulating through the refrigerator.
There is a bad smell in the refrigerator.	<ul style="list-style-type: none"> • Check for spoiled food. • Foods with strong odors(for example, fish) should be tightly covered. • Clean out your freezer periodically and throw away any spoiled food.
Frost forms on the walls of the freezer.	<ul style="list-style-type: none"> • Is the air vent blocked? Remove any obstructions so air can circulate freely. • Allow sufficient space between the foods stored for efficient air circulation. • Is the freezer drawer closed properly?
Water dispenser is not functioning.	<ul style="list-style-type: none"> • Is the water line connected and the shut-off valve opened? • Has the water supply line tubing been crushed or kinked? • Make sure the tubing is free and clear of any obstruction. • Is the water tank frozen because the fridge temperature is too low? Try selecting a warmer setting on the Digital display.
Auto close system does not work with the freezer door.	<ul style="list-style-type: none"> • Is there an imbalance between the right and left parts of the door?
Condensation or water drops forms on both sides of fridge door's central part.	<ul style="list-style-type: none"> • Condensation or water drops may form if the humidity is too high while the refrigerator is operating. • If condensation or water drops appears on both sides of fridge door's central part, turn the Energy Saver mode off after removing the condensation.

Warranty

WATER FILTER CHART

Performance Data Sheet For Samsung Model DA97-06317A Using Replacement Cartridge DA29-00003G

This system has been tested according to NSF/ANSI Standards 42 and 53 for the reduction of the substances listed below. The concentration of the indicated substances in water entering the system was reduced to a concentration less than or equal to the permissible limit for water leaving the system, as specified in NSF/ANSI 42 and 53.



System tested and specified by NSF International against NSF/ANSI Standard 42 for the reduction of Chlorine Taste and Odor, Particulate Class I, and against NSF/ANSI Standard 53 for the reduction of Cysts, Turbidity, Lead, Asbestos, Benzene, Carbofuran, p-Dichlorobenzene and Mercury.

To a capacity of 300 gallons (1,136 liters).

Note that while the testing was performed under standard laboratory conditions, actual performance may vary.

Contaminant Reduction	Average Influent Concentration	NSF Specified Influent Challenge Concentration Units apply to each row	Average % Reduction	Average Product Water Concentration	Max. Permissible Product Water Concentration	NSF Reduction Requirements	NSF Test
Chlorine taste and odor	2.1 mg/L	2.0 mg/L ± 10%	97.6	0.05 mg/L	NA	> 50%	J-00029741
Particulate Class I Particle size: < 0.5 to < 1 um	10,566,666 pt/mL	At least 10,000 particles/mL	98.4	171,833 pts/mL	NA	> 85%	J-00029739
Cysts*	127,500 cysts/L	Minimum 50,000 cysts/L	99.99	<1 cyst/L	NA	> 99.95%	J-00031000
Turbidity	10.5	11±1 NTU	98.6	0.15 NTU	0.5 NTU	> 0.5 NTU	J-00033223
Lead @ pH 6.5	153 ug/L	0.15±10%	99.3	<1ug/L	0.010 mg/L	10 ug/L	J-00039590
Lead @ pH 8.5	155 ug/L	0.15±10%	>99.4	<1ug/L	0.010 mg/L	10 ug/L	J-00039591
Mercury @ pH 6.5	5.97 ug/L	0.006±10%	96.6	<0.2 ug/L	0.002 mg/L	2 ug/L	J-00039589
Mercury @ pH 8.5	6.29 ug/L	0.006±10%	88.9	0.7 ug/L	0.002 mg/L	2 ug/L	J-00039586
Asbestos	140 MFL	107 to 108 fibers > um in length	> 99	<0.17 MFL	NA	99%	J-00029743
Benzene	13.88 ug/L	0.015±10%	96.4	<0.5 ug/L	0.005 mg/L	< 5 ug/L	J-0029751
Carbofuran	79.6 ug/L	0.190 mg/L	98.7	1 ug/L	0.001 mg/L	< 40 ug/L	J-00029750
p-Dichlorobenzene	237.5 ug/L	0.225±10%	99.8	0.525 ug/L	0.075 mg/L	< 75 ug/L	J-00029749

* Based on the use of *Cryptosporidium parvum* oocysts

WATER FILTER CERTIFICATION

State of California
Department of Public Health
Water Treatment Device
Certificate Number

04 - 1660

Date Issued: July 7, 2004

Date Revised: June 2, 2008

Trademark/Model Designation

Samsung DA61-00159A-B

Samsung DA97-06317A

Replacement Elements

DA29-00003

DA29-00003G

Manufacturer: Cuno Incorporated

The water treatment device(s) listed on this certificate have met the testing requirements pursuant to Section 116830 of the Health and Safety Code for the following health related contaminants:

Microbiological Contaminants and Turbidity

Cysts
Turbidity

Inorganic/Radiological Contaminants

Asbestos
Lead
Mercury

Organic Contaminants

Benzene
Carbofuran
p-Dichlorobenzene

Rated Service Capacity: 300 gal

Rated Service Flow: 0.5 gpm

Conditions of Certification:

Do not use where water is microbiologically unsafe or with water of unknown quality, except that systems certified for cyst reduction may be used on disinfected waters that may contain filterable cysts.

Warranty

WARRANTY ON SAMSUNG REFRIGERATOR

LIMITED WARRANTY TO ORIGINAL PURCHASER

This Samsung brand product, as supplied and distributed by Samsung Electronics America, Inc. (Samsung) and delivered new, in the original carton to the original consumer purchaser, is warranted by Samsung against manufacturing defects in materials and workmanship for a limited warranty period of:

One (1) year Parts and Labor on Refrigerator

Five (5) years Parts and Labor on sealed Refrigeration system only*

Ten (10) years Parts and Five (5) years Labor on Digital Inverter Compressor

(*Compressor, evaporator, condenser, drier, connecting tubing)

This limited warranty begins on the original date of purchase, and is valid only on products purchased and used in the United States. To receive warranty service, the purchaser must contact Samsung for problem determination and service procedures. Warranty service can only be performed by a Samsung authorized service center. The original dated bill of sale must be presented upon request as proof of purchase to Samsung or Samsung authorized service center.

Samsung will repair or replace any part found to be defective, at our option and at no charge as stipulated herein, with new or reconditioned parts during the limited warranty period specified above. All replaced parts and products become the property of Samsung and must be returned to Samsung. Replacement parts and products assume the remaining original warranty, or ninety (90) days, whichever is longer.

In-home service will be provided during the warranty labor period subject to availability within the contiguous United States. In-home service is not available in all areas. To receive in-home service, the product must be unobstructed and accessible from floor level to service personnel. If during in-home service repair cannot be completed, it may be necessary to remove, repair and return the product. If in-home service is unavailable, Samsung may elect, at our option, to provide for transportation of our choice to and from a Samsung authorized service center. Otherwise, transportation to and from the Samsung authorized service center is the responsibility of the purchaser.

This limited warranty covers manufacturing defects in materials and workmanship encountered in normal, noncommercial use of this product, and shall not apply to the following, including, but not limited to: damage which occurs in shipment; delivery and installation; applications and uses for which this product was not intended; altered product or serial numbers; cosmetic damage or exterior finish; accidents, abuse, neglect, fire, water, lightning or other acts of nature; use of products, equipment, systems, utilities, services, parts, supplies, accessories, applications, installations, repairs, external plumbing and leaks, external wiring, circuit breakers, fuses or connectors not supplied and authorized by Samsung, or which damage this product or result in service problems; incorrect electrical line voltage, fluctuations and surges; customer adjustments and failure to follow operating instructions, cleaning, maintenance and environmental instructions that are covered and prescribed in the instruction book; loss of food due to spoilage; consumable items including filters and light.

THERE ARE NO EXPRESS WARRANTIES OTHER THAN THOSE LISTED AND DESCRIBED ABOVE, AND NO WARRANTIES WHETHER EXPRESS OR IMPLIED, INCLUDING, BUT NOT LIMITED TO, ANY IMPLIED WARRANTIES OF MERCHANTABILITY OR FITNESS FOR A PARTICULAR PURPOSE, SHALL APPLY AFTER THE EXPRESS WARRANTY PERIODS STATED ABOVE, AND NO OTHER EXPRESS WARRANTY OR GUARANTY GIVEN BY ANY PERSON, FIRM OR CORPORATION WITH RESPECT TO THIS PRODUCT SHALL BE BINDING ON SAMSUNG. SAMSUNG SHALL NOT BE LIABLE FOR LOSS OF REVENUE OR PROFITS, FAILURE TO REALIZE SAVINGS OR OTHER BENEFITS, OR ANY OTHER SPECIAL, INCIDENTAL OR CONSEQUENTIAL DAMAGES CAUSED BY THE USE, MISUSE OR INABILITY TO USE THIS PRODUCT, REGARDLESS OF THE LEGAL THEORY ON WHICH THE CLAIM IS BASED, AND EVEN IF SAMSUNG HAS BEEN ADVISED OF THE POSSIBILITY OF SUCH DAMAGES. NOR SHALL RECOVERY OF ANY KIND AGAINST SAMSUNG BE GREATER IN AMOUNT THAN THE PURCHASE PRICE OF THE PRODUCT SOLD BY SAMSUNG AND CAUSING THE ALLEGED DAMAGE. WITHOUT LIMITING THE FOREGOING, PURCHASER ASSUMES ALL RISK AND LIABILITY FOR LOSS, DAMAGE OR INJURY TO PURCHASER AND PURCHASER'S PROPERTY AND TO OTHERS AND THEIR PROPERTY ARISING OUT OF THE USE, MISUSE OR INABILITY TO USE THIS PRODUCT SOLD BY SAMSUNG NOT CAUSED DIRECTLY BY THE NEGLIGENCE OF SAMSUNG. THIS LIMITED WARRANTY SHALL NOT EXTEND TO ANYONE OTHER THAN THE ORIGINAL PURCHASER OF THIS PRODUCT, IS NONTRANSFERABLE AND STATES YOUR EXCLUSIVE REMEDY.

Some states do not allow limitations on how long an implied warranty lasts, or the exclusion or limitation of incidental or consequential damages, so the above limitations or exclusions may not apply to you. This warranty gives you specific legal rights, and you may also have other rights, which vary from state to state.

To obtain warranty service, please contact Samsung at:

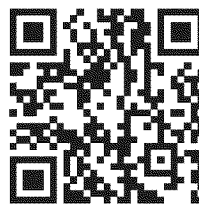
SAMSUNG CUSTOMER CARE CENTER

Samsung Electronics America, Inc. 85 Challenger Road Ridgefield Park, NJ 07660
1-800-SAMSUNG (1-800-726-7864) and www.samsung.com

Memo

Memo

Memo



Scan the QR code* or visit www.samsung.com/spsn to view our helpful How-to Videos and Live Shows

* Requires reader to be installed on your smartphone

Scan this with your smartphone

Contact SAMSUNG WORLD WIDE

If you have any questions or comments relating to Samsung products, please contact the SAMSUNG customer care center.

Country	Contact Center	Web Site	Subsidiaries office address
U.S.A	1-800-SAMSUNG (726-7864)	www.samsung.com/us/support	Samsung Electronics America, Inc. 85 Challenger Road Ridgefield Park, NJ 07660
CANADA	1-800-SAMSUNG (726-7864)	www.samsung.com/ca/support (English) www.samsung.com/ca_fr/support (French)	Samsung Electronics Canada Inc. 2050 Derry Road West, Mississauga, Ontario L5N 0B9 Canada

In an effort to promote recycling this user manual is printed on recycled paper.

Refrigerador

Manual de usuario

las posibilidades

Gracias por adquirir este producto Samsung.



Características de su nuevo refrigerador

CARACTERÍSTICAS PRINCIPALES DE SU NUEVO REFRIGERADOR

Su refrigerador Samsung de tres puertas está equipado con multitud de características innovadoras de almacenamiento y eficiencia energética.

- **Sistema de doble enfriamiento**
El refrigerador y la nevera disponen de evaporadores independientes. Gracias a este sistema de enfriamiento, la nevera y el refrigerador refrigeran de forma más eficiente. Además, este sistema de flujo de aire independiente evita que los olores de los alimentos situados en uno de los compartimentos penetren en el resto.
- **Cool Select Pantry^{PLUS}**
El Cool Select Pantry^{PLUS} es una gaveta de ancho completo que dispone de control de temperatura ajustable.
- **Mayor capacidad de almacenamiento**
El refrigerador ofrece mayor capacidad de almacenamiento dentro del mismo diseño integrado, sin sacrificar el estilo.
- **Cierre automático de seguridad**
El cierre automático de seguridad cerrará de forma automática una puerta entreabierta.
- **Máquina de hielo compacta**
La máquina de hielo puede dispensar cubitos o hielo picado.
- **Pantalla de visualización y control de temperatura digital**
- **Sistema de filtrado de agua**
- **Alarma de puerta**
Una útil alarma avisará cuando la puerta quede entreabierta.
- **Compartimento inclinable**
El compartimento inclinable puede usarse para almacenar una pizza de 40,6 cm (16").
- **Gaveta de extracción automática**
La gaveta superior de la nevera se despliega y sale automáticamente al abrir la puerta del compartimento.
- **Gaveta de gran extensión**
El compartimento inclinable puede usarse para almacenar pequeños paquetes de alimentos congelados.
- **Tirador simple**
La gaveta superior de la heladera sale completamente hacia fuera hasta alcanzar el compartimento inclinable.
- **Energy star**
La etiqueta Energy star de este producto puede hacer que ahorre en su factura eléctrica.
- **Doble máquina de hielo (RFG238)**
El refrigerador y la heladera disponen de una máquina de hielo cada uno, proporcionando mucha más cantidad de cubitos y hielo picado.



SAMSUNG

Para facilitar futuras consultas, escriba el modelo y el número de serie a continuación, que podrá encontrar en el lateral izquierdo del refrigerador.

Nº de modelo # _____

Nº de serie # _____

Información de seguridad











INFORMACIÓN DE SEGURIDAD

Antes de usar su nuevo refrigerador Samsung de tres puertas, lea este manual para asegurarse de que sabe cómo usar de forma segura y eficaz, las características y funciones que ofrece su nuevo electrodoméstico. Este electrodoméstico no ha sido diseñado para ser usado por personas con capacidades físicas, sensoriales o mentales mermadas (niños incluidos), o faltas de experiencia o conocimientos, a menos que estén bajo supervisión o dispongan de instrucciones relativas al uso del electrodoméstico proporcionadas por una persona responsable de su seguridad.

Como las siguientes instrucciones de funcionamiento están destinadas a varios modelos, las características de su refrigerador pueden diferir ligeramente de las descritas en este manual.

Si tiene cualquier pregunta, póngase en contacto con nosotros en el 1-800-SAMSUNG o busque ayuda e información online en www.samsung.com.


Símbolos y medidas de seguridad importantes:

 ADVERTENCIA	Prácticas peligrosas o inseguras que pueden ocasionar lesiones físicas graves o peligro de muerte.
 PRECAUCIÓN	Prácticas peligrosas o inseguras que pueden ocasionar lesiones físicas leves o daños materiales.
	NO intentar.
	NO desmontar.
	NO tocar.
	Siga atentamente las instrucciones.
	Desenchufar el cable de alimentación de la toma de pared.
	Asegurarse de que el refrigerador está conectado a tierra para evitar choques eléctricos.
	Póngase en contacto con el centro de asistencia para obtener ayuda.
	Nota

Estas señales de advertencia están destinadas a la prevención de lesiones personales y a terceros. Sígalas atentamente. Tras leer esta sección, guárdela en lugar seguro para futuras consultas.



SEÑALES IMPORTANTES DE ADVERTENCIA RELATIVAS A LA INSTALACIÓN

-  • No instale el refrigerador en lugares húmedos o en los que pudiera ponerse en contacto con agua.
 - Un aislamiento deteriorado de las piezas eléctricas podría provocar un choque eléctrico o incendio.
- No coloque este refrigerador en lugares donde quedase expuesto la luz directa del sol o a fuentes de calor procedentes de estufas, calefactores u otros electrodomésticos.
- No enchufe varios electrodomésticos en el mismo tomacorriente múltiple. El refrigerador siempre debería enchufarse en una toma eléctrica propia que dispusiera de un voltaje coincidente con el de la placa de clasificación.
 - Esto proporciona el mejor rendimiento y evita además la sobrecarga de los circuitos de cableado de su hogar, que podría ser causa de incendio por el sobrecalentamiento de los cables.
- Si el tomacorriente estuviera suelto, no enchufe el cable de alimentación.
 - Existe riesgo de choque eléctrico o incendio.
- No use un cable agrietado o con daños abrasivos en su longitud o extremos.
- No doble excesivamente ni coloque artículos pesados sobre el cable de alimentación.
- No desenchufe su refrigerador tirando del cable de alimentación. Sujete siempre el tomacorriente firmemente y tire de él para extraerlo de la pared.



Información de seguridad

- Los daños en el cable pueden ocasionar cortocircuitos, incendios o choques eléctricos.
 - **No use aerosoles cerca del refrigerador.**
 - El uso de aerosoles en las proximidades del refrigerador podría provocar explosiones o incendios.
-
- ★ • **Este refrigerador debe estar situado e instalado correctamente conforme al manual, antes de ponerlo en servicio.**
 - **Conecte el cable de alimentación en posición correcta con el cable colgando.**
 - Si conecta el cable de alimentación al revés, podría seccionarse provocando incendios o choques eléctricos.
 - **Al desplazar el refrigerador, tenga cuidado de no pisar ni dañar el cable de alimentación.**
 - Esto provocaría riesgo de incendio.
 - **Asegúrese de que el tomacorriente no quede aplastado o dañado por la parte posterior del refrigerador.**
 - **Mantenga los materiales de embalaje fuera del alcance de los niños.**
 - Existe peligro de muerte por asfixia en caso de que los niños jueguen con ellos.
 - **El electrodoméstico debe instalarse de tal forma que resulte sencillo acceder al tomacorriente tras la instalación.**
 - **Es preciso retirar toda la película plástica protectora antes de conectar el producto para comenzar a usarlo.**
 - ⚡ • **El refrigerador debe ser conectado a tierra por seguridad.**
 - Asegúrese siempre de haber conectado el refrigerador a tierra antes de intentar examinar o reparar cualquier pieza del mismo. Las fugas de corriente pueden ocasionar choques eléctricos graves.
 - **No use nunca conductos de gas, líneas de teléfono u otros captadores potenciales de rayos como mecanismo de puesta a tierra.**
 - Un uso incorrecto del tomacorriente de puesta a tierra puede suponer un riesgo de choque eléctrico. Si fuese necesario usar una alargadera, use únicamente una de 3 cables que disponga de un conector de 3 clavijas con toma de tierra y una toma eléctrica de 3 ranuras que acepte el conector del electrodoméstico. El régimen indicado de la alargadera debe ser de 115 V~120 V de CA, 10 A o superior. Si se usa un adaptador de puesta a tierra, asegúrese de que la caja de la toma eléctrica disponga de conexión completa a tierra.
 - ✍ • **Si el cable de alimentación estuviera dañado, hágalo reemplazar inmediatamente por el fabricante o por su técnico de servicio.**



SEÑALES DE PRECAUCIÓN RELATIVAS A LA INSTALACIÓN

- ★ • **Deje espacio suficiente para instalar el refrigerador sobre una superficie plana.**
 - Si su refrigerador no está nivelado, el sistema de refrigeración interno puede no funcionar correctamente.
- **Mantenga libre de obstrucciones la abertura de ventilación del cerramiento del electrodoméstico o estructura de montaje.**
- **Deje reposar el electrodoméstico durante 2 horas tras la instalación.**



SEÑALES IMPORTANTES DE ADVERTENCIA RELATIVAS AL USO

- ☒ • **No enchufe el cable de alimentación con las manos húmedas.**
- **No almacene artículos sobre la parte superior del electrodoméstico.**
 - Al abrir o cerrar la puerta, dichos artículos pueden caer, ocasionando lesiones físicas o daños materiales.
- **No introduzca un recipiente lleno de agua en el refrigerador.**
 - Si se derrama, existe riesgo de incendio o choque eléctrico.
- **Los niños deben contar con supervisión adulta para asegurar que no juegan con el electrodoméstico.**
 - Tenga cuidado de no pillarse los dedos en los puntos donde existe este riesgo; la holgura entre las puertas y el armario es necesariamente pequeña. Tenga cuidado cuando abra la puerta si hay niños cerca.
- **No deje que los niños se descuelguen de la puerta. Podría ocasionar una lesión grave.**
- **No permita que los niños accedan al interior del refrigerador. Existe riesgo de que los niños queden atrapados.**



SEÑALES IMPORTANTES DE ADVERTENCIA RELATIVAS AL USO

- ☒ • **No introduzca las manos en la parte inferior del electrodoméstico.**
 - Los bordes afilados podrían ocasionar lesiones físicas.
- **No permita que los niños se suban sobre la cubierta de la gaveta.**
 - La gaveta podría romperse y que resbalasen.

- **No sobrecargue de comida el refrigerador.**
 - Al abrir la puerta, algún artículo podría caer provocando lesiones físicas o daños materiales.
- **No toque las paredes interiores de la heladera ni productos almacenados en el mismo con las manos húmedas.**
 - Podría ser causa de lesiones por congelación.
- **No introduzca nunca los dedos u otros objetos en la abertura del dispensador de agua, en el conducto de hielo ni en el depósito de la máquina de hielo.**
 - Hacerlo puede ocasionar lesiones físicas o daños materiales.
- **No pulverice gases inflamables en el entorno próximo del refrigerador.**
 - Existe riesgo de explosión o incendio.
- **No almacene sustancias volátiles ni inflamables en el refrigerador.**
 - El almacenaje de benceno, disolvente, alcohol, éter, gas licuado y otros productos similares puede provocar explosiones.
- **No almacene en el refrigerador productos farmacéuticos, material científico o productos sensibles a la temperatura.**
 - Los productos que precisan controles de temperatura estrictos no deben almacenarse en el refrigerador.
- **No coloque ni use dispositivos eléctricos en el interior del refrigerador, a menos que esté recomendado por el fabricante.**
- **No emplee dispositivos mecánicos o cualquier otro medio para acelerar el proceso de descongelación, a excepción de los recomendados por el fabricante.**
- **No dañe el circuito del refrigerante.**



- **No desmonte ni repare el refrigerador por sus propios medios.**
 - Corre el riesgo de provocar un incendio, averías o lesionarse.
 - Si el LED interior o exterior se ha apagado, comuníquese con los agentes de servicio técnico.



- Los niños deben contar con supervisión adulta para asegurar que no juegan con el electrodoméstico.
- Las botellas deben almacenarse unas junto a otras para evitar posibles caídas.
- Este producto ha sido diseñado exclusivamente para el almacenamiento de comida en un entorno doméstico.
- Si detecta una fuga de gas, evite las llamas abiertas o fuentes potenciales de ignición y airee durante varios minutos, la estancia en la que se encuentre el electrodoméstico.
- Use únicamente luces LED suministradas por el fabricante o por un agente de servicio.



- **Desenchufe el cable de alimentación del tomacorriente antes de cambiar las luces interiores del refrigerador.**
 - De lo contrario, existe riesgo de choque eléctrico.



- Si se percibiese olor a quemado o a humo, desenchufe inmediatamente el cable de alimentación y póngase en contacto con su centro de servicio Samsung Electronics.
- Si tuviera alguna dificultad al cambiar la luz, póngase en contacto con un agente de servicio.
- Si el producto está equipado con luces LED, no desmonte la cubierta de la misma ni la propia luz LED por sus propios medios.
 - Póngase en contacto con su agente de servicio.
- Si advirtiese la presencia de polvo o agua en el refrigerador, desconecte el cable de alimentación y póngase en contacto con su centro de servicio Samsung Electronics.
 - De lo contrario, existe riesgo de incendio.



SEÑALES DE PRECAUCIÓN RELATIVAS AL USO



- **No vuelva a congelar alimentos descongelados por completo previamente.**
 - No introduzca en el compartimento de la heladera bebidas carbonatadas o efervescentes.
 - No introduzca botellas o envases de cristal en la heladera.
 - Al congelarse el contenido, el cristal podría romperse provocando lesiones físicas.



- **Garantía de servicio y modificación.**
 - Cualquier cambio o modificación realizada por terceros sobre este electrodoméstico acabado, no está cubierta por el servicio de garantía de Samsung ni serán responsabilidad de Samsung las cuestiones relativas a la seguridad resultantes de dichas modificaciones realizadas por terceros.
- **No bloquee las aberturas de ventilación.**
 - Si las aberturas de ventilación fuesen bloqueadas, especialmente con bolsas de plástico, el refrigerador puede sobrefrigerarse. Si este período de refrigeración durase demasiado, el filtro de agua podría romperse provocando fugas de agua.



Información de seguridad

- Si desconectase el refrigerador del suministro eléctrico, deberá esperar al menos cinco minutos para volver a enchufarlo.
- Si tiene planeado pasar un largo período de vacaciones o si no va a usar el refrigerador durante un período de tiempo prolongado, debe vaciar el refrigerador y desconectar el cable de alimentación.
 - El deterioro del aislamiento podría ocasionar un incendio.
- Limpie el exceso de humedad del interior y deje las puertas abiertas.
 - De lo contrario podrían acumularse olores y moho.
- Para obtener un rendimiento óptimo del producto,
 - no coloque alimentos demasiado próximos a las aberturas de ventilación situadas en la parte posterior del electrodoméstico, ya que podrían impedir la libre circulación de aire en el compartimento del refrigerador.
 - Envuelva los alimentos de forma adecuada o colóquelos en recipientes herméticos antes de introducirlos en el refrigerador.
- Use únicamente agua potable para el depósito de agua, la bandeja de hielo y los cubitos de hielo.
- No golpee ni aplique una fuerza excesiva sobre la superficie de vidrio.
 - La rotura del vidrio puede causar lesiones personales o daños materiales.



- Cuando el refrigerador se moje, desconecte el cable de alimentación y póngase en contacto con su centro de servicio Samsung Electronics.



PRECAUCIÓN

SEÑALES DE PRECAUCIÓN RELATIVAS A LA LIMPIEZA



- No rocíe directamente agua en el interior o exterior del refrigerador.
 - Existe riesgo de incendio o choque eléctrico.



- Elimine cualquier material extraño o polvo de las clavijas del tomacorriente de alimentación.
- No use un paño húmedo o mojado para limpiar el tomacorriente, elimine cualquier material extraño o polvo de las clavijas de éste.
 - De lo contrario existe riesgo de incendio o choque eléctrico.



- Desenchufe el refrigerador antes de realizar labores de limpieza o reparación.



ADVERTENCIA

Este producto contiene sustancias químicas que, según el Estado de California, provocan cáncer y toxicidad reproductiva.



ADVERTENCIA

SEÑALES DE ADVERTENCIA IMPORTANTES RELATIVAS AL DESECHO



- Riesgo de que los niños queden atrapados. antes de desechar su antiguo refrigerador o heladera.
 - Desmonte las puertas.
 - Deje las baldas en su lugar a fin de dificultar la entrada de los niños.
- Por favor, deseche el material de embalaje de este producto respetando el medio ambiente.
- Deje las baldas en su lugar a fin de dificultar la entrada de los niños. Asegúrese de que ninguno de los conductos situados en la parte posterior del electrodoméstico está dañado antes de deshacerse de él.
- Al desechar éste refrigerador, desmonte la puerta, sellos y su cierre de tal forma que los niños pequeños, o animales, no puedan quedar atrapados en su interior por accidente. Los niños deben contar con supervisión adulta para asegurar que no juegan con el electrodoméstico.
- Se usa Ciclopentano como aislante. Los gases del material aislante requieren un procedimiento especial de eliminación. Por favor, póngase en contacto con autoridades locales para conocer las instrucciones de eliminación ecológica de este producto. Asegúrese de que ninguno de los conductos situados en la parte posterior del refrigerador esté dañado antes de desecharlo.

INSTALACIÓN DE SU REFRIGERADOR DE TRES PUERTAS

08

- 08 Preparativos para instalar el refrigerador
- 09 Ajuste del refrigerador
- 09 Preparativos para instalar el refrigerador
- 11 Desmontaje de la gaveta de la nevera
- 12 Montaje de las puertas de la nevera
- 14 Montaje de la gaveta de la nevera
- 15 Ajuste de las puertas
- 16 Realización de ajustes menores entre puertas
- 17 Ajuste del nivel de la gaveta de la nevera
- 18 Chequeo de la toma del dispensador de agua
- 19 Instalación de la toma del dispensador de agua

FUNCIONAMIENTO DEL REFRIGERADOR DE TRES PUERTAS

21

- 21 Uso del panel de control(RFG237 Modelo)
- 22 Uso de la pantalla de visualización digital(RFG237 Modelo)
- 23 Control de la temperatura(RFG237 Modelo)
- 24 Uso del dispensador de agua fría(RFG237 Modelo)
- 26 Uso del panel de control(RFG238 Modelo)
- 27 Uso de la pantalla de visualización digital(RFG238 Modelo)
- 28 Control de la temperatura(RFG238 Modelo)
- 29 Uso del dispensador de agua fría(RFG238 Modelo)
- 31 Piezas y funciones
- 32 Almacenaje de alimentos en el refrigerador
- 32 Almacenaje de alimentos en la gaveta de la nevera
- 33 Uso del Cool select pantry^{PLUS}
- 34 Desmontaje de los accesorios del refrigerador
- 35 Uso de puertas
- 35 Uso del compartimento inclinable
- 36 Desmontaje de los accesorios de la nevera
- 37 Consejos útiles para el almacenaje de alimentos
- 39 Limpieza del refrigerador
- 40 Reemplazo de los focos interiores
- 41 Reemplazo del filtro de agua

SOLUCIÓN DE PROBLEMAS

42

- 42 Solución de problemas

DIAGRAMA DE CIRCUITO

43

- 43 Cuadro del filtro de agua
- 44 Certificación del filtro de agua
- 45 Garantía del refrigerador SAMSUNG

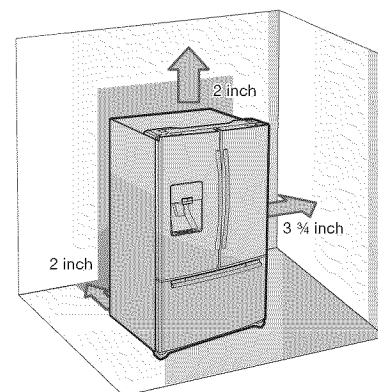
Instalación de su refrigerador de tres puertas

PREPARATIVOS PARA INSTALAR EL REFRIGERADOR

Felicidades por la adquisición de su refrigerador Samsung de tres puertas. Esperamos que disfrute de las características y rendimiento de alta tecnología que este nuevo electrodoméstico tiene que ofrecer.

Selección del mejor emplazamiento para el refrigerador

- Un emplazamiento de fácil acceso para el suministro de agua.
- Un emplazamiento sin exposición directa a la luz solar.
- Un emplazamiento que tenga el piso nivelado (o casi nivelado).
- Un emplazamiento con suficiente espacio para que las puertas del refrigerador puedan abrirse con facilidad.
- Deje espacio suficiente a la derecha, izquierda y por arriba para la circulación del aire.
- Asegúrese de que el aparato pueda moverse libremente para los trabajos de mantenimiento y servicio

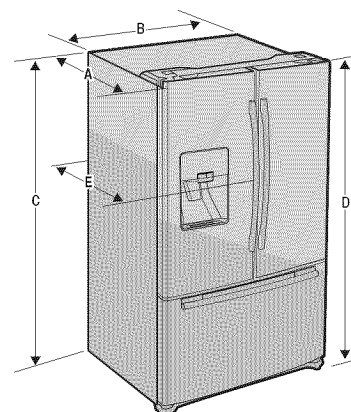


Si su refrigerador dispone de una máquina de hielo, deje más espacio libre en la parte posterior para las conexiones de la toma de agua. Al instalar su refrigerador junto a una pared fija, debe dejarse un espacio libre mínimo de 3 3/4" (95 mm) entre el refrigerador y la pared, para permitir la apertura de la puerta.

Antes que nada: asegúrese de poder mover fácilmente su refrigerador hasta su posición final, midiendo puertas de entrada (ancho y alto), umbrales, techos, escaleras, etc. El siguiente cuadro especifica la altura y ancho exactos del refrigerador Samsung de tres puertas.

El siguiente cuadro especifica la altura y ancho exactos del refrigerador Samsung de tres puertas.

MODELO	Profundidad "A"	Ancho "B"	Altura "C"	Altura total "D"	Profundidad "E"
RFG238 ** / RFG237 **	28" (712 mm)	35 6/8" (908 mm)	68 1/2" (1740 mm)	69 6/8" (1774mm)	30 1/2" (774 mm)

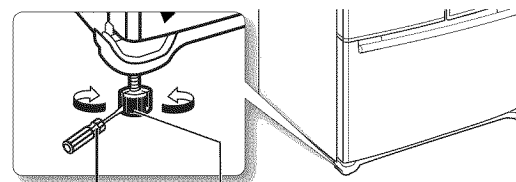


- Mantenga despejado el lado derecho, izquierdo, posterior y superior durante la instalación. Esto ayudará a reducir el consumo de energía y mantener una factura eléctrica más baja.
- No instale el refrigerador en un emplazamiento donde la temperatura pueda ser inferior a 50°F (10°C).
- No instale el refrigerador en lugares potencialmente húmedos.



Al desplazar el refrigerador

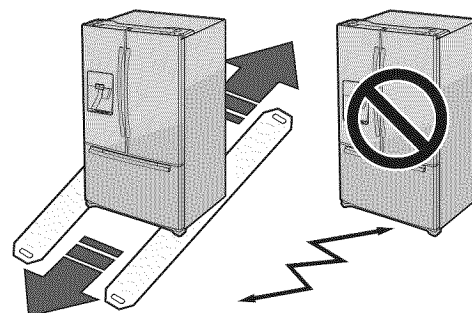
Para evitar daños en el piso, asegúrese de que los pies de ajuste frontales estén en su posición más elevada (por encima del piso). Examine la sección "Ajuste de las puertas" del manual (en la página 15).



Flat-blade screw driver(-) Control Lever

PISO

Para llevar a cabo una instalación correcta, este refrigerador debe instalarse sobre una superficie nivelada de material firme, situado a la misma cota que el resto del piso. Esta superficie debe ser lo suficientemente resistente como para soportar el peso de un refrigerador completamente cargado. Para proteger el acabado del piso, corte un trozo grande de cartón de embalaje y colóquelo bajo el refrigerador en el lugar de trabajo. Al desplazar el refrigerador, asegúrese de tirar de la unidad hacia fuera y empujarla hacia dentro en línea recta.



AJUSTE DEL REFRIGERADOR

Ahora que tiene su nuevo refrigerador instalado y en su sitio, está preparado para ajustarlo y disfrutar de todas las características y funciones de las que dispone el electrodoméstico. Completando los siguientes pasos, su refrigerador deberá estar totalmente operativo.

1. Coloque el refrigerador en una situación apropiada, con una distancia libre razonable entre la pared y el electrodoméstico. Examine las instrucciones de instalación de este manual. (Página 9, Selección del mejor emplazamiento para el refrigerador).
2. Una vez enchufado el refrigerador, asegúrese de que el foco interior se ilumina al abrir las puertas.
3. Ajuste el control en la temperatura más fría y espere una hora. La nevera deberá enfriarse ligeramente y el motor funcionar suavemente.
4. Tras poner en funcionamiento el refrigerador, harán falta varias horas para alcanzar la temperatura asignada. Puede introducir alimentos y bebidas en el refrigerador cuando la temperatura sea suficientemente baja.

 Chequee la siguiente lista de accesorios.



Filtro de agua

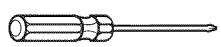


Llave Allen

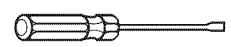


Dispositivo de sujeción

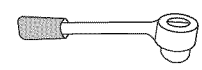
Herramientas necesarias (no incluidas)



Destornillador Philips(+)



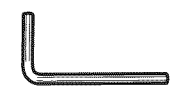
Destornillador de cabeza plana(-)



Llave de tubo(10mm)




Alicates




Llave Allen (3/16")
(5mm)


DESMONTAJE DE LAS PUERTAS DEL REFRIGERADOR

Algunas instalaciones requieren el desmontaje de la puerta para poder transportar el refrigerador hasta su emplazamiento final. No desmonte la puerta/gaveta si no es necesario. Antes de desmontar la puerta/gaveta, asegúrese de haber leído los siguientes puntos.

 **Desconecte el suministro del refrigerador antes de desmontar la puerta o la gaveta.**

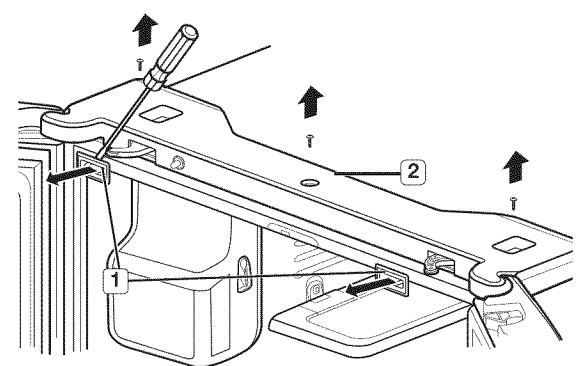
-  • Tenga cuidado de no dejar caer, dañar o arañar la puerta/gaveta durante el proceso de desmontaje.
- Tenga cuidado de no dejar caer la puerta, arañarla ni dañarla durante el desmontaje de la puerta/gaveta.
- Vuelva a montar correctamente la puerta/gaveta para evitar:
 - Humedad procedente del escape de aire.
 - Una alineación desigual de la puerta.
 - Gastos de energía debido a un sellado incorrecto de la puerta.

Desmontar las puertas del refrigerador

 Tenga cuidado de no dejar caer ni arañar las puertas durante el proceso de desmontaje.

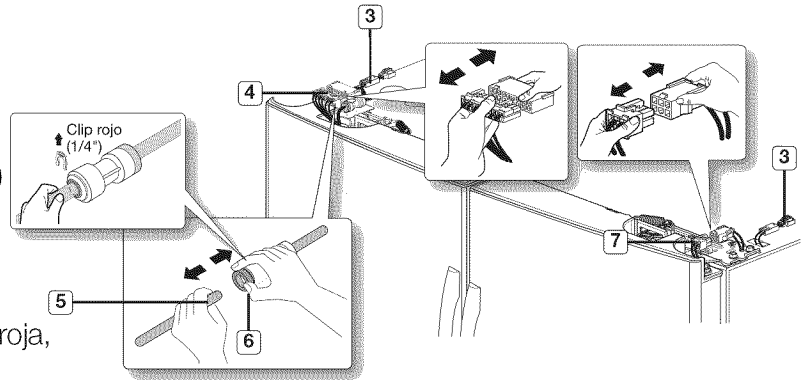
Desmontar las puertas del refrigerador

1. Con la puerta abierta, retire el cuadro de la tapa superior (1) mediante el destornillador de cabeza plana (-) y cierre la puerta. Extraiga los 3 pernos que sujetan la cubierta de la bisagra (2) y retírela.



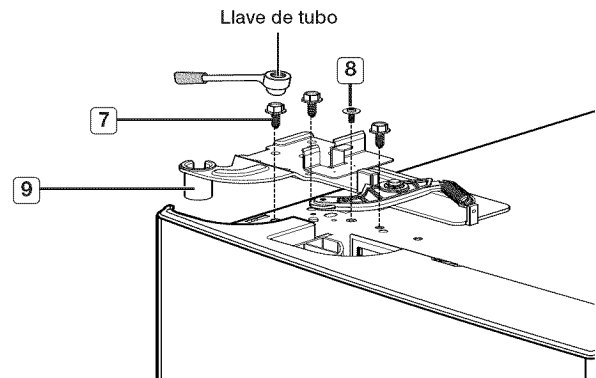
Instalación de su refrigerador de tres puertas

2. Desconecte los dos conectores (3) a cada lado de la tapa superior, el conector (7) de la puerta derecha y el otro conector (4) de la puerta izquierda. Retire el tubo (5) presionando la pieza de color gris oscuro (6) del acoplador de la tubería de agua.

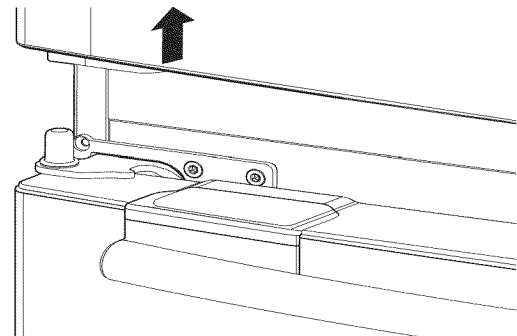


Si el acoplador incluye una abrazadera roja, deberá retirarla antes de retirar el tubo.

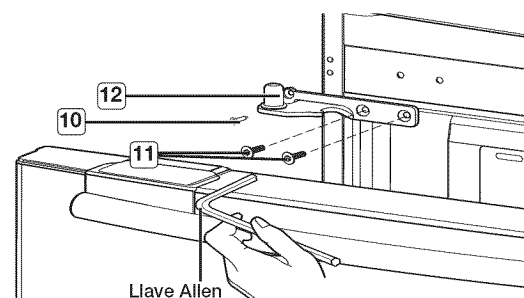
3. Extraiga los 3 pernos hexagonales (7) que se encuentran fijados a las bisagras superiores izquierda y derecha de la puerta con una llave de tubo (10mm). Extraiga el perno de puesta a tierra (8) que se encuentra fijado a las bisagras superiores izquierda y derecha de la puerta con un destornillador Philips (+). Retire las bisagras superiores izquierda y derecha (9) de la puerta.



4. Levante la puerta hacia arriba para extraerla.

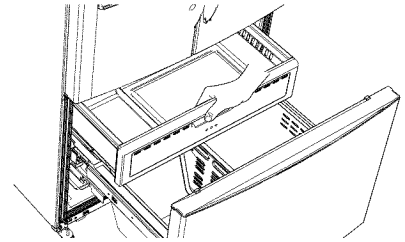


5. Extraiga el perno (10) que se encuentra fijado a las bisagras inferiores izquierda y derecha de la puerta con un destornillador Philips (+). Extraiga los 2 pernos hexagonales (11) que se encuentran fijados a las bisagras inferiores izquierda y derecha de la puerta con una llave Allen (3/16"). Retire las bisagras inferiores izquierda y derecha de la puerta (12).

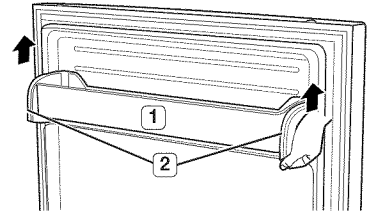


MONTAR LA GAVETA DE LA NEVERA

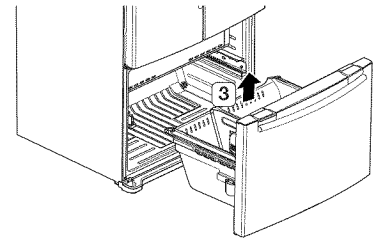
1. Extraiga el compartimento superior levantándolo.



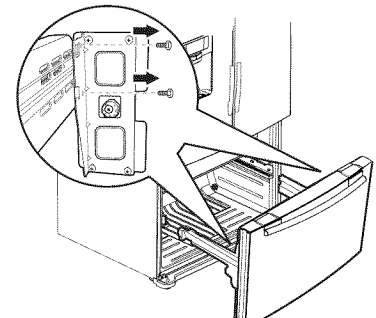
2. Extraiga el compartimento inclinable (1) tirando hacia arriba de ambos soportes de protección (2) al mismo tiempo.



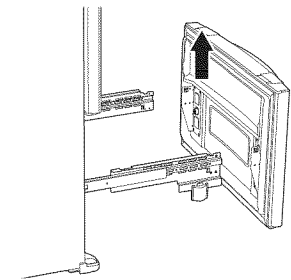
3. Saque la cesta inferior (3) levantándola del sistema de riel.



4. Extraiga los 4 pernos de cabeza hexagonal de ambos lados con una llave de tubo (10mm).

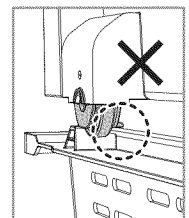
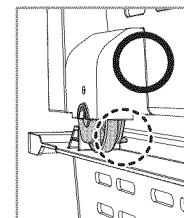


5. Levante la puerta de la heladera de los rieles.



PRECAUCIÓN

Si se ponen demasiados alimentos en los cajones del congelador quizás la puerta no cierre completamente, lo que daría lugar a la creación de escarcha.

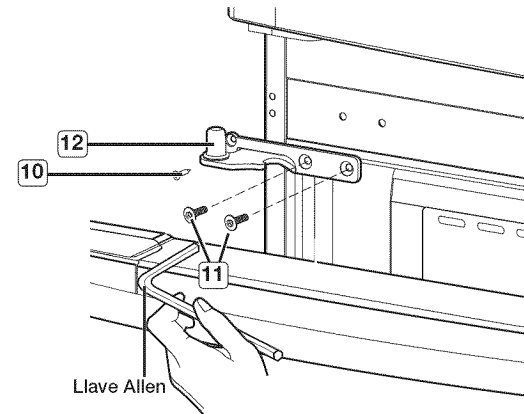


Instalación de su refrigerador de tres puertas

DESMONTAJE DE LAS PUERTAS DEL REFRIGERADOR

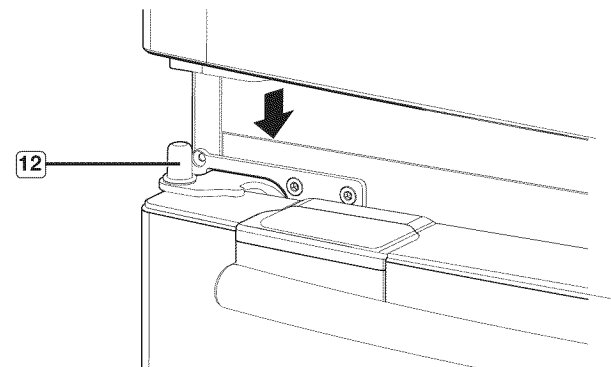
Montar las puertas del refrigerador

1. Vuelva a montar las bisagras inferiores izquierda y derecha de la puerta (**12**). Con la ayuda de un destornillador de cabeza Philips, introduzca y apriete el perno (**10**) en las bisagras inferiores izquierda y derecha de la puerta. Con ayuda de una llave Allen (3/16"), introduzca y apriete los 2 pernos de cabeza hexagonal (**11**) en las bisagras inferiores izquierda y derecha de la puerta.

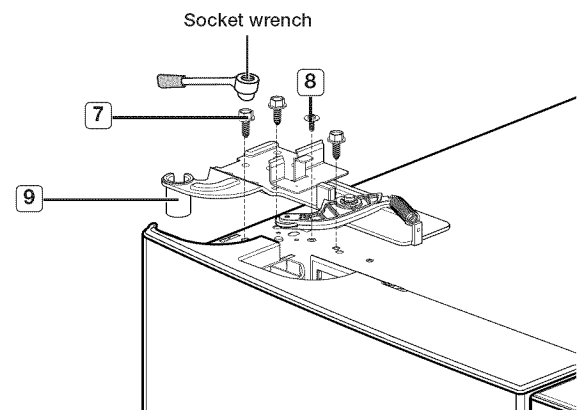


2. Haga coincidir el orificio de la base de la puerta con la bisagra de la misma (**12**).

 Asegúrese de no perder la tapa de la bisagra que es muy fácil de quitar.




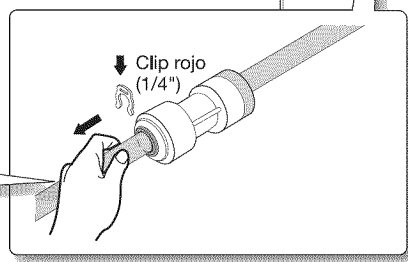
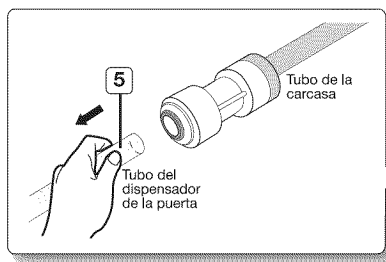
3. Introduzca las bisagras superiores (**9**) en los orificios situados en la parte superior de las puertas. Introduzca y apriete los 3 pernos de cabeza hexagonal (**7**) en las bisagras superiores izquierda y derecha de la puerta con una llave de tubo (10mm). Introduzca y apriete el perno de puesta a tierra (**8**) en las bisagras superiores izquierda y derecha de la puerta con un destornillador Philips (+).



DESMONTAJE DE LAS PUERTAS DEL REFRIGERADOR

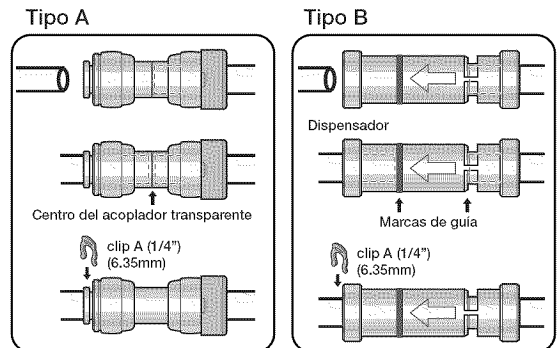
4. Conecte la tubería de agua (5) y luego inserte una grapa en el acoplador tirando del tubo. Conecte el conector (4) de la puerta izquierda, el otro conector (7) de la puerta derecha y los dos conectores (3) a cada lado de la tapa superior.

 La abrazadera se encuentra en el interior de la tapa superior.





PRECAUCIÓN

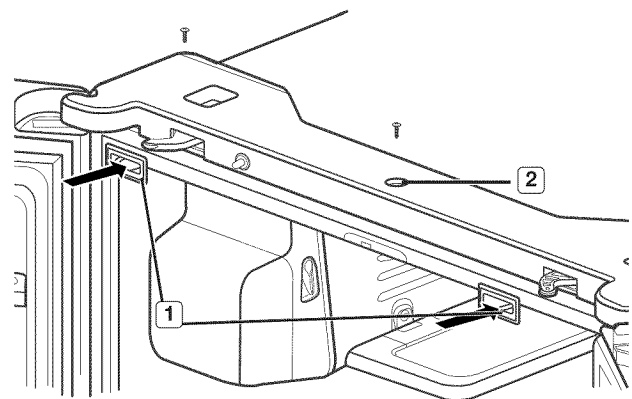
- La tubería de agua debe estar totalmente insertada hasta el centro del acoplador transparente (Tipo A) o las marcas de guía (Tipo B) para evitar fugas del dispensador.
- Inserte la grapa en el conjunto y compruebe que sujete firmemente la tubería.



5. Sitúe el cuadro superior (2) en su lugar. Introduzca y apriete los 3 pernos en el cuadro superior con un destornillador Philips (+). Una vez abierta la puerta, vuelva a introducir la tapa del cuadro superior (1) y cierre las puertas.

 Al volver a montar el cuadro superior, asegúrese de que la cubierta de la bisagra no comprima o dañe los cables.

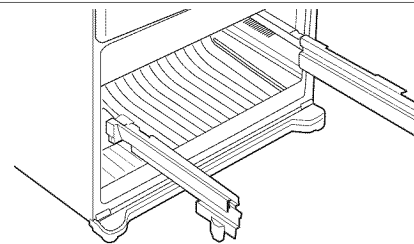
 Tras el montaje, cierre la puerta y chequee si existen huecos entre las juntas de la puerta o si está inclinada. Si se presenta alguno de estos problemas, examine la sección "Ajuste de las puertas" en la página 15.



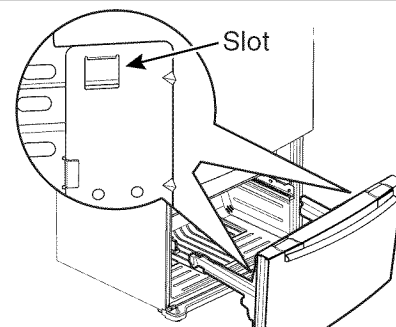
Instalación de su refrigerador de tres puertas

MONTAR LA GAVETA DE LA NEVERA

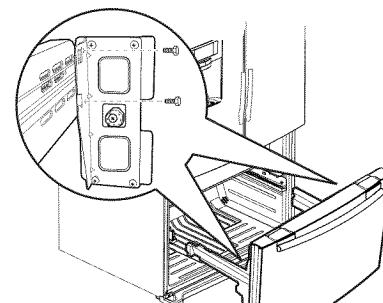
1. Extraiga completamente los ralles de cada lado de la carcasa.



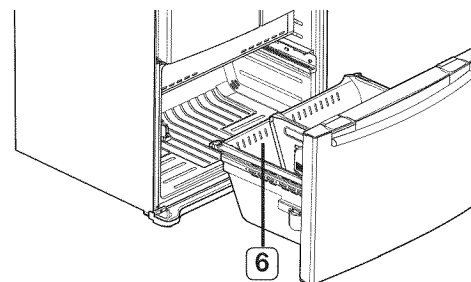
2. Fije la puerta de la nevera sobre las ranuras abiertas de los lados.



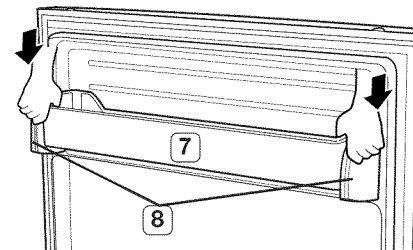
3. Apriete por completo los 4 pernos de cabeza hexagonal con la ayuda de una llave tubular (10mm).




4. Introduzca la cesta inferior ((6)) dentro del sistema de rieles.

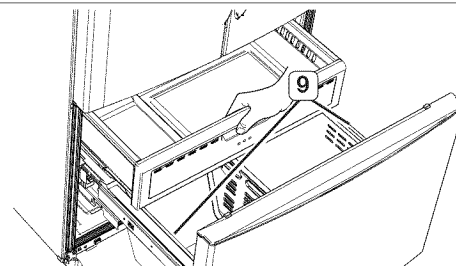


5. Enganche los extremos del compartimento inclinable ((7)) dentro de los soportes y pulse hasta encajarlo en su posición.



6. Introduzca la gaveta superior.

 Retire los 2 pedazos de cinta ((9)) adheridos al lateral del compartimento de la gaveta. Vuelva a adherir la cinta en la misma posición al desplazar el refrigerador, para evitar arañazos en el compartimento de la gaveta.



AJUSTE DE LAS PUERTAS

Tras volver a colocar las puertas del refrigerador, asegúrese de que el electrodoméstico esté nivelado para poder realizar los ajustes finales.

Si el refrigerador no está nivelado, no será posible conseguir que las puertas estén perfectamente igualadas, lo que podría provocar condensación de humedad e incrementos en las facturas eléctricas.

Por ejemplo, cuando el lateral izquierdo esté más bajo que el derecho, introduzca un destornillador de cabeza plana (-) dentro de una muesca del pie de nivelación izquierdo y gírelo en sentido antihorario hasta nivelar la puerta.

Gírelo en sentido horario para bajar el refrigerador y en sentido antihorario para levantarlo.

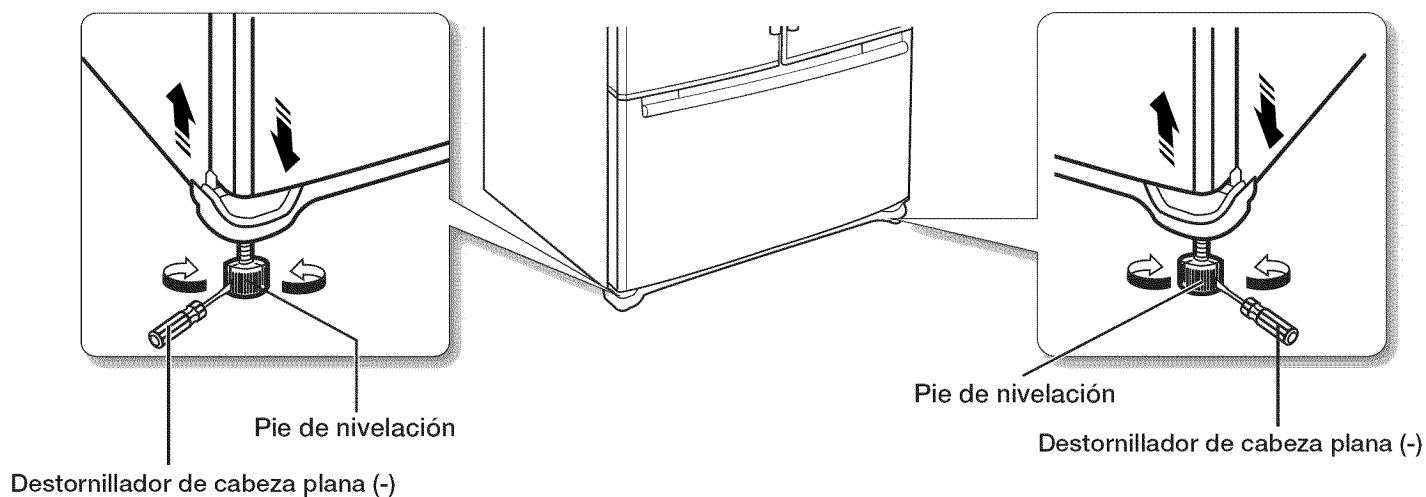
Cuando el lateral izquierdo esté más alto, realice la misma operación con el pie de nivelación derecho.



PRECAUCIÓN Ambos pies de nivelación deben estar en contacto firme con el piso para evitar potenciales lesiones o daños a la propiedad derivados del vuelco.



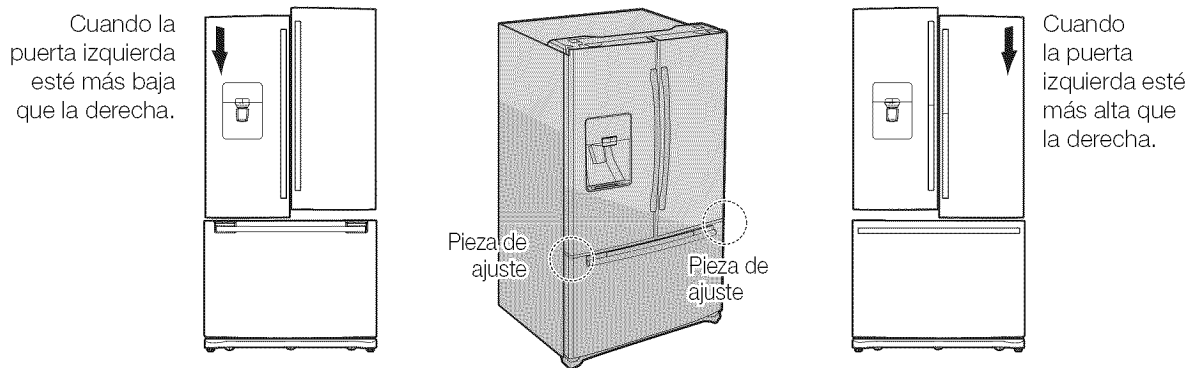
Recomendamos no realizar pequeños ajustes en los pies de nivelación. En lugar de eso, examine la siguiente página para descubrir la mejor forma de realizar ajustes menores en las puertas.



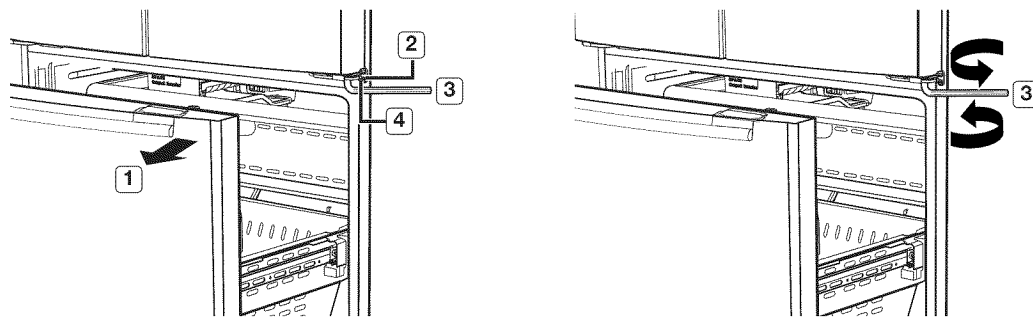
Instalación de su refrigerador de tres puertas

REALIZACIÓN DE AJUSTES MENORES ENTRE PUERTAS

Recuerde que es necesario que el refrigerador esté nivelado para lograr que las puertas queden igualadas de forma uniforme. Si necesita ayuda, revise las secciones anteriores relativas a la nivelación del refrigerador.

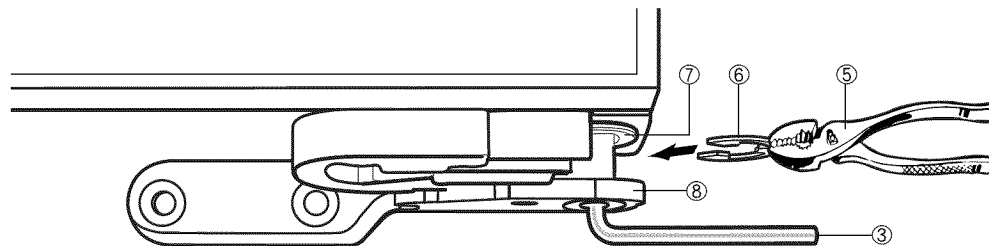


1. Extraiga la gaveta de la heladera (1) y podrá ver la bisagra inferior (2).
2. Introduzca la llave Allen (3/16") incluida (3) dentro del eje (4) de la bisagra inferior.
3. Ajuste la altura girando la llave Allen (3) en sentido horario (↻) o antihorario (↺).



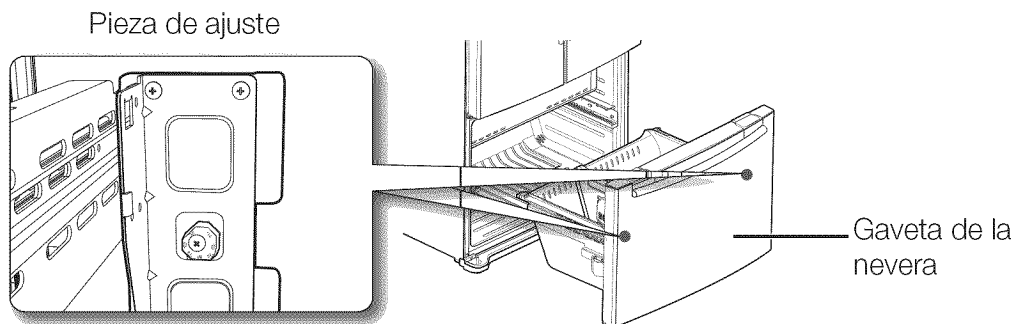
☑ Al girar la llave Allen en sentido antihorario (↺), la puerta se desplazará hacia arriba.

1. Tras ajustar las puertas, introduzca el mecanismo de cierre incluido (6) usando un alicate (5) en el hueco entre el anillo de la bisagra (7) y la bisagra inferior (8). El número de mecanismos de cierre a insertar, dependerá del hueco.

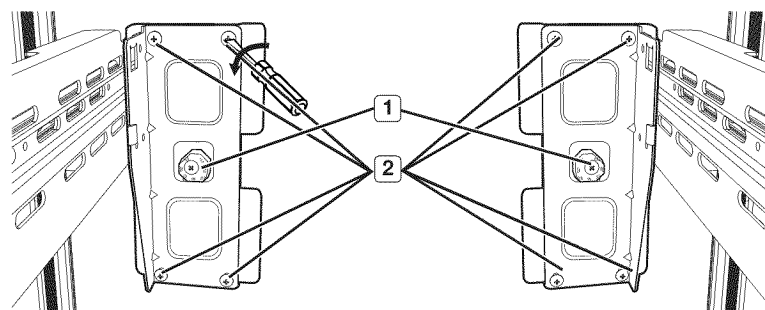


☑ Con el refrigerador se incluyen dos mecanismos de cierre.
El grosor de cada anillo de sujeción es de 1mm (0,04 pulgadas).

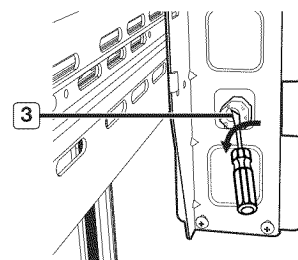
AJUSTE DEL NIVEL DE LA GAVETA DE LA NEVERA



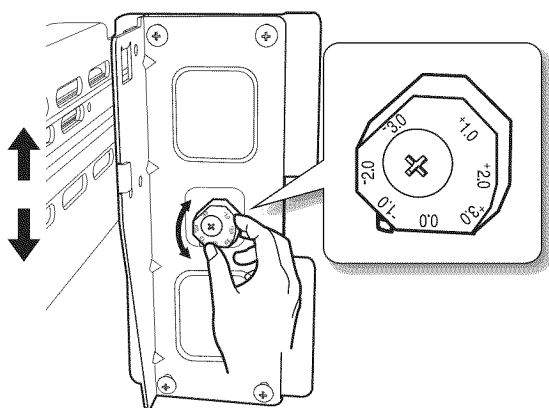
1. Localice el regulador de altura (1) en la gaveta de la nevera.
Desenrosque parcialmente los 8 pernos Philips (2) para aflojar la puerta.



2. Afloje el perno de control (3) con un destornillador Philips(+).



3. Busque el mejor nivel de ajuste para la inclinación de la puerta.



Ejemplo) La inclinación es de es de 2 mm (0,08 pulgadas) aproximadamente, como se indica a continuación.

- Gire el ajuste de altura a -2,0 para reducir la inclinación de la puerta.

Inclinación

Plano de referencia

The diagram shows the control screw being turned from 0.0 to -2.0. A vertical double-headed arrow indicates the door's inclination, which is reduced from 2 mm to 0 mm. A horizontal double-headed arrow indicates the door's position relative to a reference plane.

→ Tras el ajuste, apriete el perno de control (3) y, a continuación, los pernos Philips.

Instalación de su refrigerador de tres puertas

CHEQUEO DE LA TOMA DE AGUA DEL DISPENSADOR

Un dispensador es sólo una de las útiles características de su nuevo refrigerador. Para fomentar una mejor salud, el filtro elimina partículas no deseadas del agua. Sin embargo, no esteriliza ni destruye microorganismos. Para lograr esto último, debe adquirir un sistema purificador de agua.

Para que la máquina de hielo funcione correctamente, es necesaria una presión de agua de 20~125 psi (libras por pulgada cuadrada) En condiciones normales, un vaso de papel de 170 cc (5,75 onzas) debe poder llenarse en 10 segundos.

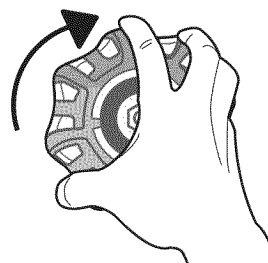
Si la zona de instalación del refrigerador dispone de una presión baja de agua (por debajo de 20 psi), puede instalar una bomba auxiliar para compensar la falta de presión.

Asegúrese de que el depósito de almacenamiento de agua situado en el interior del refrigerador esté adecuadamente lleno. Para hacerlo, pulse la palanca del dispensador de agua hasta que el líquido salga a través de la salida.

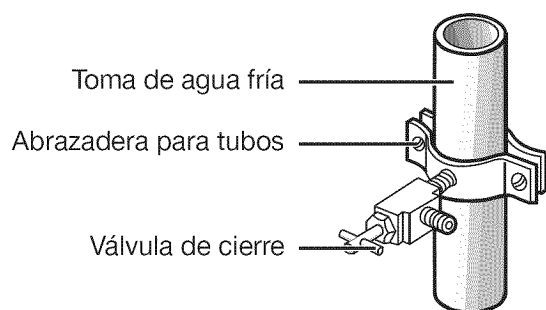
- ☑ En su distribuidor encontrará disponibles kits de instalación para la toma de agua por un coste adicional. Recomendamos usar un kit de instalación de toma de agua que disponga de tubos de cobre y de tuercas de compresión de 1/4".

Conexión de la toma de suministro de agua

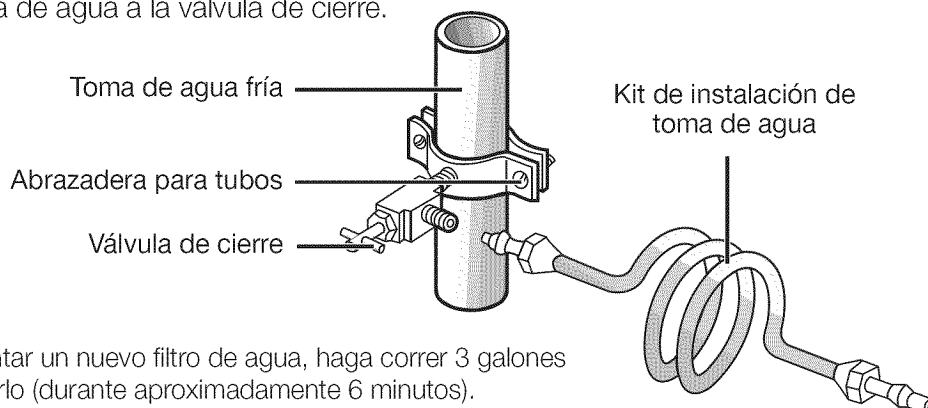
1. Primero, corte el suministro de agua principal.



2. Localice la toma de agua fría potable más cercana e instale la abrazadera para tubos y la válvula de cierre.



3. Conecte el kit de instalación de la toma de agua a la válvula de cierre.

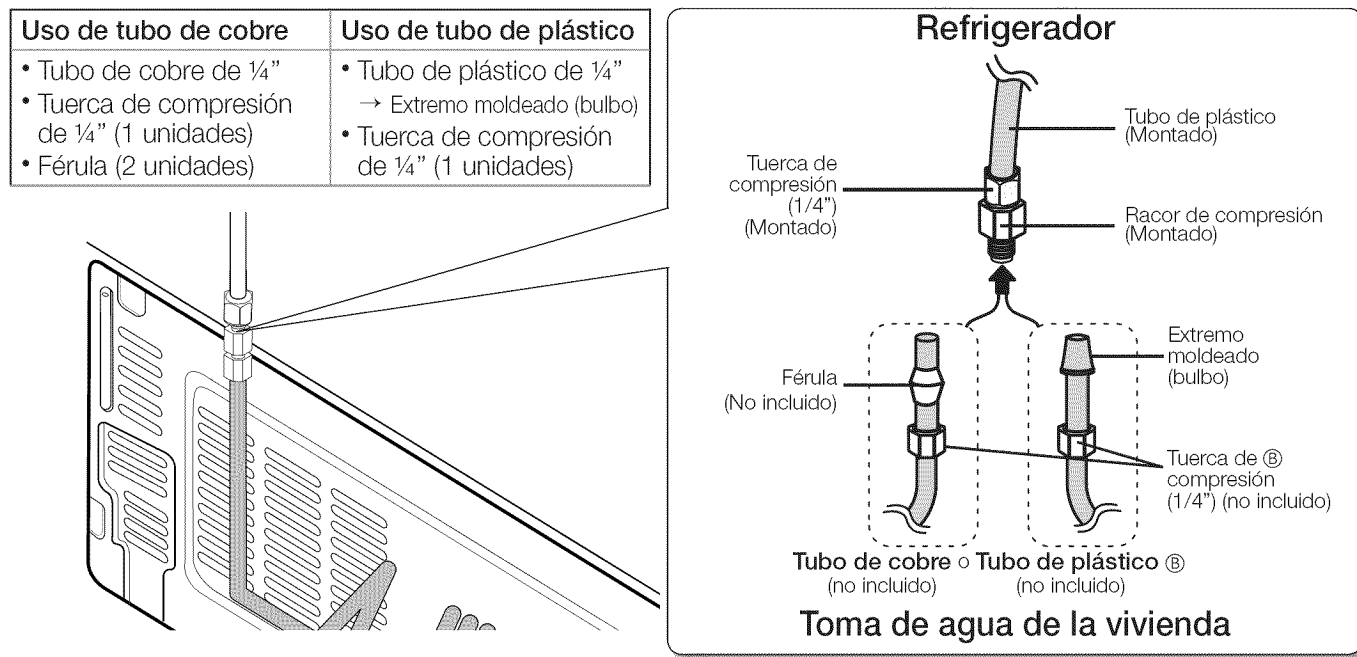


- ☑ Si acaba de instalar el refrigerador o montar un nuevo filtro de agua, haga correr 3 galones de agua a través del filtro antes de utilizarlo (durante aproximadamente 6 minutos). Tras conectar el suministro de agua al filtro del agua, abra el suministro de agua y haga correr 3 galones a través del filtro antes de utilizarlo (durante aproximadamente 6 minutos).

INSTALACIÓN DE LA TOMA DE AGUA DEL DISPENSADOR

Conexión de la toma de agua al refrigerador

Deberá adquirir varios elementos para realizar esta conexión. Podrá encontrar estos elementos a la venta en forma de kit, en su ferretería habitual.



1. Conecte la tubería del agua corriente al acople de compresión ensamblado.
 - Si está usando tubo de cobre, deslice la tuerca de compresión ® (no incluida) y la fécula (no incluida) por el tubo de cobre (no incluido) como se indica.
 - Si está usando conductos de plástico ®, introduzca el extremo moldeado (bulbo) del tubo ® dentro del racor de compresión.



PRECAUCIÓN No usar sin el extremo moldeado (bulbo) de la tubería de plástico ®.

2. Apriete la tuerca de compresión ® sobre el racor de compresión. No fuerce la tuerca de compresión ®.
3. Abra el suministro de agua y realice un chequeo en busca de fugas.



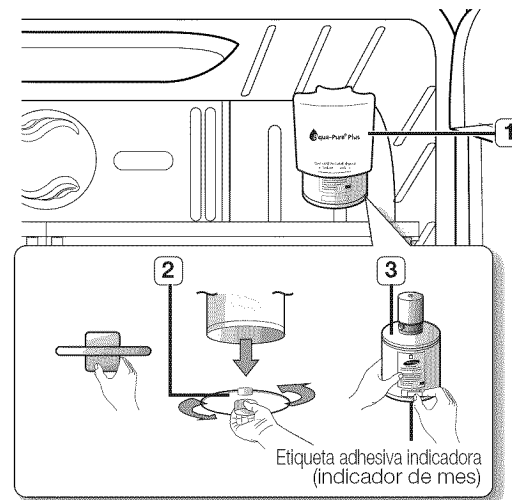
Conecte la toma de agua sólo a una fuente de agua potable. Si debe reparar o desmontar la toma de agua, corte 6,35 mm (1/4") del tubo de plástico para garantizar una conexión ajustada y sin fugas.

Instalación del filtro de agua.



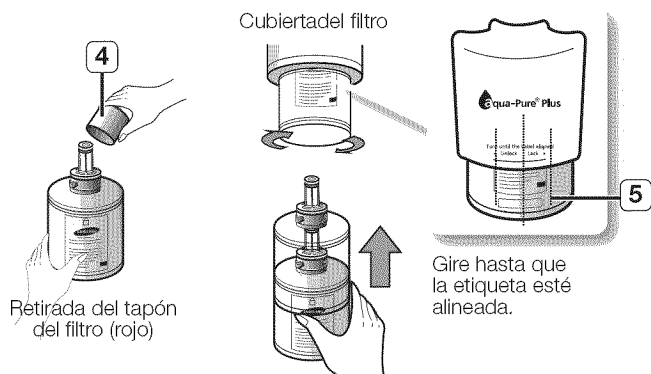
Tras retirar la balda superior del lado derecho, podrá instalar más fácilmente el filtro de agua.

1. Retire la tapa del filtro de agua (**1**).
2. Retire la tapa fija (**2**) girándola en sentido antihorario. Guarde la tapa en un lugar seguro para usarla en caso de no usar el filtro.
3. Retire el filtro del agua (**3**) de la caja y coloque una etiqueta adhesiva indicadora de reemplazo (incluida en la caja) sobre el filtro como se indica. Por ejemplo, si instala el filtro de agua en marzo, coloque la etiqueta "SEP" sobre el filtro para recordarle que debe reemplazar en septiembre. De esta forma, sabrá cuándo debe reemplazar el filtro. Normalmente, un filtro dispone de una vida útil de unos 6 meses.




Setting up your French Door Refrigerator

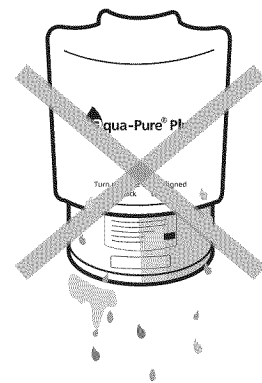
4. Retire la tapa del filtro (4) e introdúzcalo en su alojamiento.
5. Gire lentamente el filtro de agua 90° en sentido horario para alinearlos con la marca impresa situada en la cubierta, bloqueando el filtro en su posición. Asegúrese de alinear la marca (5) de la etiqueta del filtro de agua con el centro de la impresión de la cubierta del filtro como se indica en la ilustración, Recuerde, no la fuerce.



Eliminación de cualquier sustancia residual del interior de la toma de suministro de agua tras la instalación del filtro de agua.

1. Abra el suministro de agua principal y la válvula de la toma de suministro de agua.
2. Deje correr el agua a través del dispensador hasta que salga transparente (6-7 minutos aprox.). Limpiará el sistema de suministro de agua y eliminará aire de los conductos.
3. En algunos hogares podría necesitarse un tiempo de limpieza mayor.
4. Abra la puerta del refrigerador y asegúrese de que no existen fugas de agua procedentes del filtro.

 Asegúrese de purgar completamente el dispensador o podría gotear agua. Esto es debido al hecho de que todavía queda aire en la toma.



Suministro de agua por ósmosis inversa

IMPORTANTE : La presión del suministro de agua procedente de un sistema de ósmosis inversa dirigida hacia la válvula de entrada de agua del refrigerador debe encontrarse entre 35 y 120 psi (241 y 827 kPa).

Si se conecta un sistema de filtrado de agua por ósmosis inversa a su suministro de agua fría, la presión del agua a dicho sistema debe contar con un mínimo de 40 a 60 psi (276 a 414 kPa).

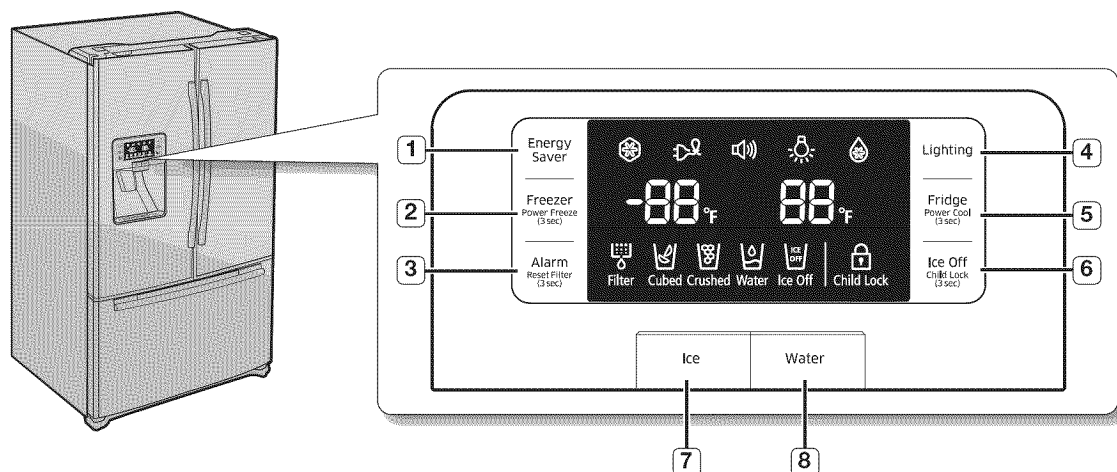
Si la presión del agua hacia el sistema de ósmosis inversa está por debajo de 40 a 60 psi (276 a 414 kPa):

- Chequear si el filtro de sedimentos del sistema de ósmosis inversa está obstruido. Reemplace el filtro si fuera necesario.
- Permita que el depósito de almacenamiento del sistema de ósmosis inversa vuelva a llenarse tras un uso exigente.
- Si su refrigerador dispone de un filtro de agua, este podría reducir aún más la presión de agua al usarse junto con un sistema de ósmosis inversa. Desmonte el filtro de agua.

Si tiene alguna duda respecto a la presión de agua disponible, póngase en contacto con un fontanero cualificado y autorizado.

Funcionamiento del refrigerador de tres puertas (REFG237 MODELO)

USO DEL PANEL DE CONTROL



(1) Energy Saver (Ahorro de energía)

Pulse el botón **Energy Saver** para mejorar el rendimiento energético. Si se produjese goteo de agua en las puertas, desactive la función **Energy Saver** (Ahorro de energía).

(2) Freezer / Power Freeze (3 sec) (Congelador/Congelación rápida [3 segundos])

Presione el botón **Freezer / Power Freeze (3 sec)** (Congelador/Congelación rápida [3 segundos]) para ajustar el congelador a la temperatura deseada. Puede ajustar la temperatura entre -8°F y 8°F (-22°C y -13°C). Mantenga presionado el botón **Freezer / Power Freeze (3 sec)** (Congelador/Congelación rápida [3 segundos]) durante 3 segundos para acelerar el tiempo necesario para congelar los productos del congelador. Puede ser útil si necesita congelar rápidamente artículos que se estropeen deprisa o si la temperatura de la heladera fuese muy alta (por ejemplo, si la puerta se ha dejado abierta).

(3) Alarm / Reset Filter (3 sec) (Alarma/Restablecer el filtro [3 segundos])

Presione el botón **Alarm / Reset Filter (3 sec)** (Alarma/Restablecer el filtro [3 segundos]) para apagar la alarma cuando la puerta queda abierta (inicialmente la alarma está activada). Tras reemplazar el filtro de agua usado e instalar uno nuevo, reinicie el indicador manteniendo pulsado este botón durante 3 segundos. (El indicador se iluminará al principio y se volverá a iluminar pasados 6 meses para recordarle que es necesario cambiar el filtro de agua.)

(4) Lighting (Iluminación)

Pulse el botón **Lighting** para activar la luz LED del dispensador.

(5) Fridge / Power Cool (3 sec) (Refrigerador/Refrigeración rápida [3 segundos])

Presione el botón **Fridge / Power Cool (3 sec)** (Refrigerador/Refrigeración rápida [3 segundos]) para ajustar el refrigerador a la temperatura deseada. Puede ajustar la temperatura entre 34°F y 46°F (1°C y 8°C). Mantenga presionado el botón **Fridge / Power Cool (3 sec)** (Refrigerador/Refrigeración rápida [3 segundos]) durante 3 segundos para acelerar el tiempo necesario para enfriar los productos del refrigerador. Puede ser útil si necesita enfriar rápidamente artículos que se estropeen deprisa o si la temperatura del refrigerador fuese muy alta (por ejemplo, si la puerta se ha dejado abierta).

(6) Ice off / Child Lock (3 sec) (Hielo desactivado/Bloqueo para niños [3 segundos])


Presione el botón **Ice off / Child Lock (3 sec)** (Hielo desactivado/Bloqueo para niños [3 segundos]) para desactivar la fábrica de hielo del refrigerador o del congelador. Si mantiene pulsado este botón durante 3 segundos, la pantalla y el dispensador quedarán bloqueados.

(7) Ice (Hielo)

Presione el botón **Ice** (Hielo) para seleccionar el tipo de hielo deseado. Cada vez que pulse el botón, el modo de elaboración de hielo cambiará entre cubitos y hielo picado. Este modo no puede usarse de forma simultánea con el modo Agua.

(8) Water (Agua)

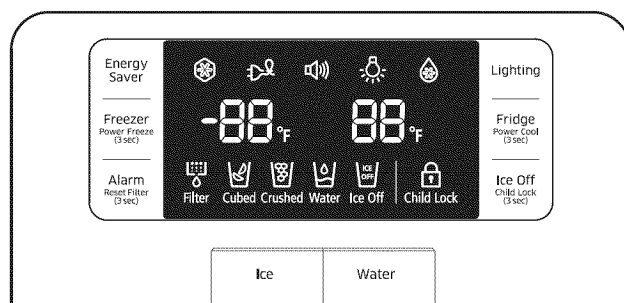
Pulse el botón **Water** para dispensar agua. Este modo no puede usarse de forma simultánea con el modo Tipo de hielo. El modo Agua quedará desactivado al pulsar el botón de Tipo de hielo.

 Algunas funciones quedan desactivadas pasados unos segundos al pulsar los botones, mientras son activados otros en el mismo instante. Esto se considera normal.

Funcionamiento del refrigerador de tres puertas (REFG237 MODELO)

USO DE LA PANTALLA DIGITAL

Si no pulsa ningún botón, los indicadores de temperatura de la heladera y el refrigerador se apagarán pasados unos segundos. Si pulsa cualquier botón, la pantalla se iluminará de nuevo.



Congelación rápida

Este ícono se iluminará cuando presione el botón **Freezer / Power Freeze (3 sec)** (Congelador/Congelación rápida [3 segundos]) durante 3 segundos. Cuando disponga de hielo suficiente, simplemente pulse el mismo botón durante 3 segundos para cancelar el modo de **Congelación rápida**. Tras dos horas y media, el modo **Congelación rápida** se apagará automáticamente para reducir el consumo de energía.

Cubitos , hielo picado , agua

Disfrute de cubitos o hielo picado escogiéndolo mediante el panel de control digital. Si no necesita hielo, desactive la función para ahorrar consumo de agua y energía. Se iluminará el icono del tipo de hielo correspondiente a su elección.

Refrigeración rápida

Este ícono se iluminará cuando presione el botón **Fridge / Power Cool (3 sec)** (Refrigerador/Refrigeración rápida [3 segundos]) durante 3 segundos. Para enfriar rápidamente el refrigerador, use el modo **Power Cool** (Refrigeración rápida). Si desea cancelar el modo de Refrigeración rápida, simplemente pulse de nuevo el botón durante 3 segundos. Tras dos horas y media, el modo **Refrigeración rápida** se apagará automáticamente para reducir el consumo de energía.

Filtro

Cuando la luz del indicador del filtro se prenda, es el momento de cambiar el filtro. Normalmente esto sucede cada 6 meses aproximadamente. Al introducirlo inicialmente, el indicador del filtro de agua se iluminará en azul (amarillo-verde). El indicador del filtro pasará a iluminarse en rosa (ámbar) tras 270 galones (1,000 litros) de uso. El indicador del filtro pasará a iluminarse en rojo tras 300 galones (1,140 litros) de uso. Tras reemplazar el filtro de agua usado e instalar uno nuevo (examine la página 41 para obtener instrucciones) cuando el filtro esté rojo, reinicie el indicador manteniendo pulsado el botón "Alarm / Reset Filter (3 sec)" (Alarma/Restablecer el filtro [3 segundos]) durante 3 segundos. (El indicador del filtro pasará a ser de color azul o verde amarillento cuando el indicador sea reiniciado).

Modo de enfriamiento desactivado (código "OF & OF" en la pantalla de visualización)

El modo Refrigeración desactivada detiene tanto en el compartimento de la heladera como en el del refrigerador, pero no se cortará el suministro eléctrico al electrodoméstico. Para usar esta función, presione los botones **Energy Saver** (Ahorro de energía) y **Freezer / Power Freeze (3 sec)** (Congelador/Congelación rápida [3 segundos]) simultáneamente durante 3 segundos hasta que se oiga la alarma. Para cancelar este modo, pulse de nuevo los mismos botones durante 3 segundos y el refrigerador volverá al modo de refrigeración.

 Esta función se usa para refrigeradores de muestra en tiendas. No para uso doméstico.

Ahorro de energía

Este icono se iluminará al pulsar el botón **Energy Saver** (Ahorro de energía). La función de ahorro de energía se activará automáticamente en "ON" al conectar el refrigerador. Si se produjese condensación en las puertas, desactive la función de Ahorro de energía.

Iluminación

Este icono se iluminará al pulsar el botón **Lighting** (Iluminación). En este caso, la luz del dispensador (bajo la pantalla) permanecerá constantemente iluminada. Si desea que la luz del dispensador se prenda sólo cuando esté usándose, desactive la función Lighting.

Alarma

Este icono se iluminará al pulsar el botón **Alarm** (Alarma). La alarma de puerta sonará si se deja abierta cualquier puerta durante más de 3 minutos. El aviso sonoro se detendrá cuando cierre la puerta. Inicialmente la alarma está activada.

Ice off

Este icono se iluminará al pulsar el botón "Ice Off" (Hielo desac.). En este caso, no se elaborará hielo.

Lock

Este icono se iluminará al pulsar el botón **Lock** (Bloqueo). En este estado, no podrá usar el panel de control. Si mantiene pulsado el botón Ice Off / Lock (Hielo desac. / Bloquear) durante 3 segundos, podrá usar de nuevo el panel de control.

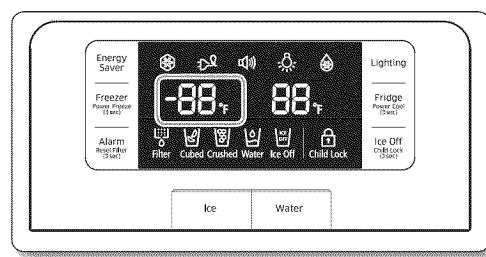
CONTROL DE LA TEMPERATURA DEL REFRIGERADOR

Temperatura básica de los compartimentos de la heladera y el refrigerador

La temperatura básica o recomendada para los compartimentos de la heladera y el refrigerador es de -2°F y 3°C (38°F) respectivamente. Si la temperatura de los compartimentos de la heladera y el refrigerador es demasiado alta o baja, ajuste la temperatura manualmente.

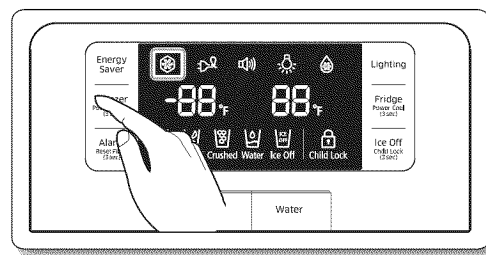
Control de la temperatura de la heladera

La temperatura de la heladera puede ajustarse entre 8°F y -8°F para adaptarse a sus necesidades particulares. Pulse el botón Freezer varias veces hasta que la temperatura deseada aparezca en la pantalla de visualización. La temperatura variará 2° F con cada pulsación (-2°F → -4°F → -6°F → -8°F → 8°F → 6°F → 4°F → 2°F → 0°F → -2°F). Recuerde que los alimentos como el helado podrían derretirse a los 4° F. La visualización de temperatura cambiará secuencialmente desde -8°F a 8°F.



Uso de la Congelación rápida

Si necesita elaborar una gran cantidad de hielo o desea que la heladera se enfríe más rápidamente, puede usar la función de **Congelación rápida**. Mantenga presionado el botón **Freezer / Power Freeze (3 sec)** (Congelador/Congelación rápida [3 segundos]) durante 3 segundos. A continuación, se iluminará el indicador de la función de **Congelación rápida**, independiente de la temperatura de ajuste de la heladera. Si escoge la función **Congelación rápida**, la temperatura interior de la heladera descenderá durante dos horas y media aproximadamente. Cuando disponga de hielo suficiente, simplemente mantenga pulsado el mismo botón durante 3 segundos para cancelar el modo de **Congelación rápida**. Entonces, el indicador se apagará y la heladera volverá de nuevo su temperatura de ajuste.




Funcionamiento del refrigerador de tres puertas (RFG237 MODELO)

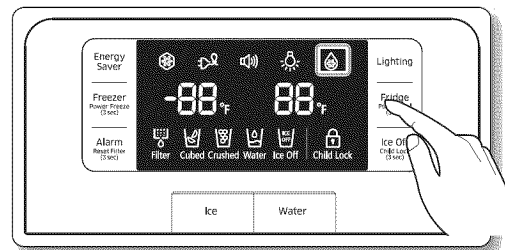
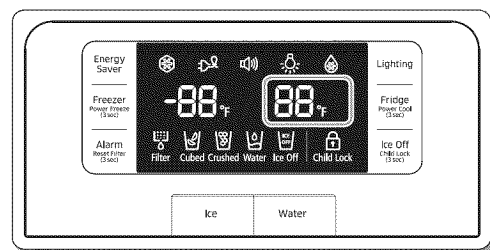
Control de la temperatura del refrigerador

La temperatura del refrigerador puede ajustarse entre 46° F y 34° F para adaptarse a sus necesidades particulares. Pulse varias veces el botón Fridge hasta que la temperatura deseada aparezca en la pantalla de visualización. La temperatura variará 2° F con cada pulsación (38°F → 36°F → 34°F → 46°F → 44°F → 42°F → 40°F → 38°F). El proceso de control de temperatura para el refrigerador funciona de la misma forma que el de la heladera. Pulse el botón Fridge para ajustar la temperatura deseada. Pasados unos segundos, el refrigerador se encaminará hacia la temperatura recientemente ajustada. Lo que se reflejará en la pantalla de visualización digital.

Uso de la Refrigeración rápida

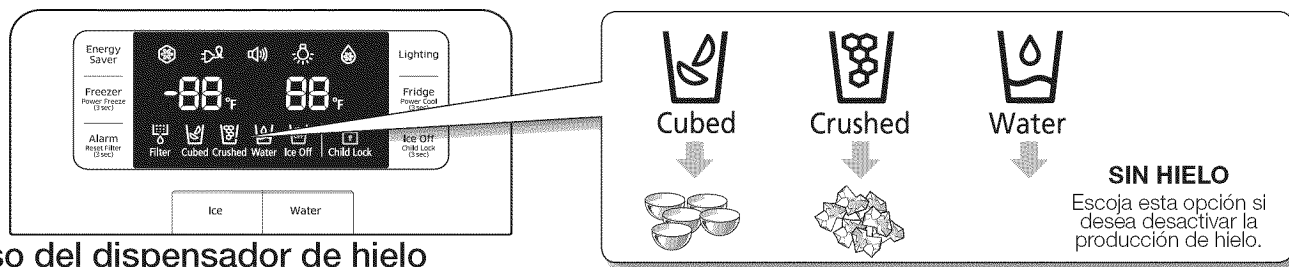
Use la función de Refrigeración rápida para conseguir un enfriamiento rápido. Mantenga presionado el botón **Fridge / Power Cool (3 sec)** (Refrigerador/ Refrigeración rápida [3 segundos]) durante 3 segundos. Entonces, se iluminará el indicador de la función Refrigeración rápida, activándose dicho modo de forma independiente de la temperatura de ajuste del refrigerador. Si escoge Refrigeración rápida, la temperatura interior del refrigerador descenderá durante dos horas y media aproximadamente o hasta alcanzar 25°F. Mantenga pulsado de nuevo el botón durante 3 segundos para cancelar el modo de Refrigeración rápida. Entonces, el indicador se apagará y el refrigerador volverá de nuevo su temperatura de ajuste.

-  - La temperatura de la heladera, refrigerador o zona Pantry puede aumentar debido a una apertura frecuente de las puertas o a la introducción, en cualquiera de ellos, de una gran cantidad de alimentos calientes.
- Esto puede provocar que la pantalla de visualización parpadee. Una vez que la temperatura de la heladera y el refrigerador vuelvan a sus ajustes normales, el parpadeo cesará.
- Si continúa parpadeando, puede ser necesario "reiniciar" el refrigerador. Pruebe desenchufando el electrodoméstico, esperando unos 10 minutos y volviéndolo a enchufar.
- Si se produce un error de comunicación entre la pantalla de visualización y el controlador principal, el indicador de la pantalla del compartimento Pantry podría parpadear. Una vez alcanzadas las temperaturas de ajuste normales, el parpadeo cesará. Si continúa parpadeando durante un período de tiempo prolongado, póngase en contacto con su centro de servicio Samsung Electronics.



USO DEL DISPENSADOR DE AGUAFRÍA

Pulse el botón de Tipo de hielo o agua según sus preferencias.



Uso del dispensador de hielo

Coloque un vaso bajo el dispensador de hielo y pulse, con él, la palanca del dispensador cuidadosamente. Asegúrese de que el vaso se encuentra en línea con el dispensador para evitar que el hielo salte.



PRECAUCIÓN

Antes de usar el cajín para cubitos/cubitera y durante su uso, lavar estos componentes con un detergente suave, enjuagar bien y secar por completo. No utilizar limpiadores ni disolventes fuertes o abrasivos.



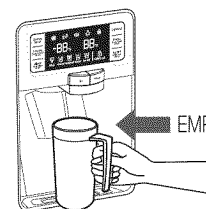
PRECAUCIÓN

Veillez attendre 2 secondes avant de retirer le verre sous le distributeur afin de prévenir les déversements. Si la porte du réfrigérateur s'ouvre, le distributeur ne fonctionne pas.



PRECAUCIÓN

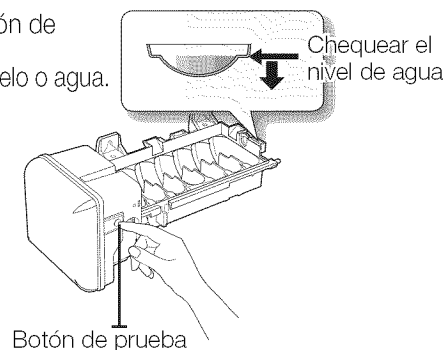
Al escoger el modo Cubitos de hielo tras usar el de Hielo picado, puede producirse una pequeña cantidad de hielo picado residual.



EMPUJAR



- En caso de que el hielo no salga, extraiga el depósito de hielo y pulse el botón de prueba situado en el lateral derecho de la máquina de hielo.
- No pulse el botón de prueba de forma continua cuando la bandeja está llena de hielo o agua. Podría producirse un derramamiento de agua o un bloqueo de hielo.



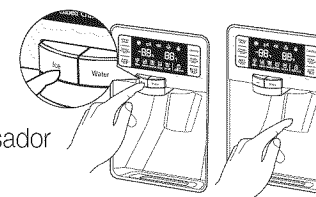
Uso normal

Para llenar el depósito de hielo a su máxima capacidad tras la instalación, asegúrese de seguir los pasos expuestos a continuación.

1. Permita que su refrigerador funcione y enfríe durante 24 horas (o durante 1 día completo).
2. Una espera de 24 horas permitirá que su máquina de hielo enfríe de forma adecuada.
3. Dispense de 4 a 6 cubitos de hielo dentro del vaso.
4. Tras 8 y 16 horas, dispense un vaso lleno de hielo.



Si se produce una falla de corriente, los cubitos podrían derretirse y adherirse unos a otros al congelarse de nuevo cuando se reestablezca el suministro eléctrico, provocando que el dispensador quede fuera de servicio. Para evitar este problema, extraiga el depósito de hielo y deseche el hielo o agua residual.



Cuando vacíe la cubeta de hielos, usted debe presionar una vez la palanca del dispensador de hielos con la función "ice cubed" o "crushed" en posición ON para obtener hielo rápidamente después de colocar nuevamente la cubeta de hielos en el refrigerador.



Si usa todo el hielo de una vez, deben repetirse los pasos 3 y 4 anteriores (antes de dispensar los primeros 4 a 6 cubitos de hielo, es necesario esperar 8 horas). Esto permitirá el reabastecimiento de cubitos, garantizando una elaboración máxima de hielo.

Uso del dispensador de agua

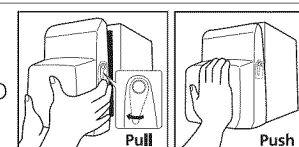
Coloque un vaso bajo la salida de agua y pulse, con él, la palanca del dispensador cuidadosamente. Asegúrese de que el vaso se encuentra en línea con el dispensador para evitar que el agua salpique. Si acaba de instalar el refrigerador o un nuevo filtro de agua, deseche los seis primeros vasos de agua para eliminar las impurezas del sistema de suministro de agua. Asegúrese de que el flujo de agua es transparente antes de comenzar a consumirla.



Cuando no use el dispensador de agua durante 2 ó 3 días (especialmente durante el verano), el agua dispensada podría presentar olores o sabores extraños. Si esto ocurre, recomendamos que deseche los primeros 1 ó 2 vasos de agua para mejorar su sabor.

Uso de la función Ice Off

Al escoger el modo Ice Off (Hielo desac.), retire todos los cubitos del depósito. Si no usa el dispensador de hielo, los cubitos pueden adherirse unos a otros. Tire de la palanca de bloqueo hacia adelante para desechar cubitos o extraer el hielo aglomerado del depósito. Pulse el depósito hacia atrás hasta escuchar un clic.



Use sólo el dispositivo de fabricación de hielo incluido con el refrigerador.

El suministro de agua a este refrigerador debe ser instalado/conectado por un profesional cualificado y conectado a un suministro de agua potable únicamente.

Para que la máquina de hielo funcione correctamente, es necesaria una presión de agua de 20 ~ 125 psi.

Si va a ausentarse durante unas vacaciones o un viaje de negocios de larga duración y no va a usar los dispensadores de agua o hielo, cierre la válvula de agua.

- De lo contrario podrían ocasionarse fugas de agua.

Limpie el exceso de humedad del interior y deje las puertas abiertas.

- De lo contrario podrían acumularse olores y moho.

No introduzca los dedos, manos ni ningún otro objeto inadecuado en el conducto de salida o en el depósito de la máquina de hielo.

- Hacerlo podría ocasionar lesiones físicas o daños materiales.

No introduzca los dedos ni ningún otro objeto en la salida del dispensador.

- Podría ocasionar lesiones.

No intente desmontar la máquina de hielo.

No salpique ni rocíe agua en el depósito de hielo.



Fenómeno de enturbamiento del agua

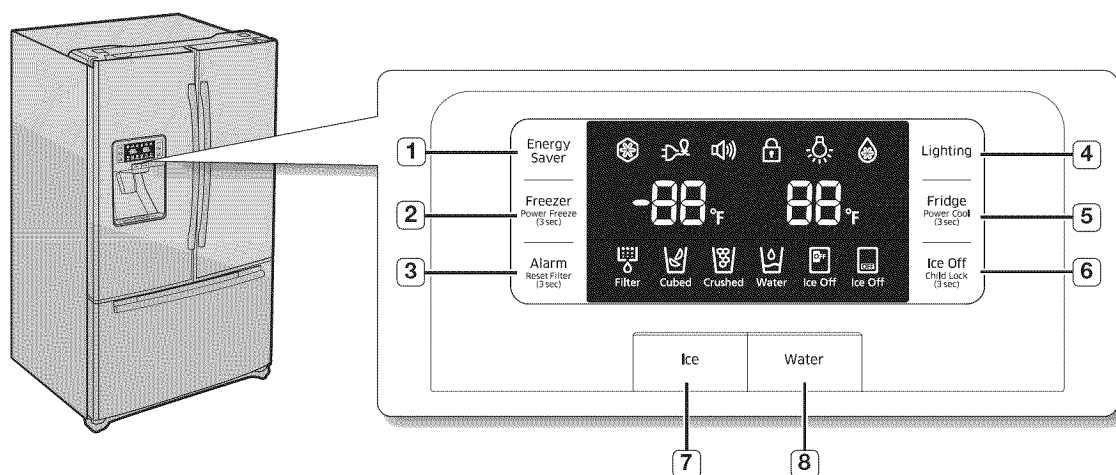
Toda el agua suministrada a los refrigeradores pasa a través del filtro principal, que es un filtro de agua alcalino. En este proceso, la presión del agua que ha pasado por el filtro aumenta y el agua se satura de oxígeno y nitrógeno. Cuando el agua fluye de nuevo al aire, la presión se reduce y el oxígeno y el nitrógeno quedan supersaturados, por lo que se transforman en burbujas de gas. El agua podría adquirir un aspecto turbio debido a estas burbujas de oxígeno. El agua podría adquirir, temporalmente, un aspecto turbio debido a estas burbujas de oxígeno. Pasados unos segundos, el agua volverá a ser transparente.



Tras dispensar agua, espere 1 segundo antes de retirar el vaso para evitar derrames. No tire de la palanca del dispensador una vez obtenido hielo o agua. Volverá automáticamente a su posición. El hielo se elabora en cubitos. Al escoger "Crushed" (Hielo picado), la máquina de hielo tritura los cubitos para conseguir hielo picado.

Funcionamiento del refrigerador de tres puertas (REFG238 MODELO)

USO DEL PANEL DE CONTROL



(1) Energy Saver
(Ahorro de energía)

Pulse el botón **Energy Saver** para mejorar el rendimiento energético. Si se produjese goteo de agua en las puertas, desactive la función **Energy Saver** (Ahorro de energía).

(2) Freezer / Power Freeze (3 sec)
(Congelador/Congelación rápida [3 segundos])

Presione el botón **Freezer / Power Freeze (3 sec)** (Congelador/Congelación rápida [3 segundos]) para ajustar el congelador a la temperatura deseada. Puede ajustar la temperatura entre -8°F y 8°F (-22°C y -13°C). Mantenga presionado el botón **Freezer / Power Freeze (3 sec)** (Congelador/Congelación rápida [3 segundos]) durante 3 segundos para acelerar el tiempo necesario para congelar los productos del congelador. Puede ser útil si necesita congelar rápidamente artículos que se estropeen deprisa o si la temperatura de la heladera fuese muy alta (por ejemplo, si la puerta se ha dejado abierta).

(3) Alarm / Reset Filter (3 sec)
(Alarma/Restablecer el filtro [3 segundos])

Presione el botón **Alarm / Reset Filter (3 sec)** (Alarma/Restablecer el filtro [3 segundos]) para apagar la alarma cuando la puerta queda abierta (inicialmente la alarma está activada). Tras reemplazar el filtro de agua usado e instalar uno nuevo, reinicie el indicador manteniendo pulsado este botón durante 3 segundos. (El indicador se iluminará al principio y se volverá a iluminar pasados 6 meses para recordarle que es necesario cambiar el filtro de agua.)

(4) Lighting
(Iluminación)

Pulse el botón **Lighting** para activar la luz LED del dispensador.

(5) Fridge / Power Cool (3 sec)
(Refrigerador/Refrigeración rápida [3 segundos])

Presione el botón **Fridge / Power Cool (3 sec)** (Refrigerador/Refrigeración rápida [3 segundos]) para ajustar el refrigerador a la temperatura deseada. Puede ajustar la temperatura entre 34°F y 46°F (1°C y 8°C). Mantenga presionado el botón **Fridge / Power Cool (3 sec)** (Refrigerador/Refrigeración rápida [3 segundos]) durante 3 segundos para acelerar el tiempo necesario para enfriar los productos del refrigerador. Puede ser útil si necesita enfriar rápidamente artículos que se estropeen deprisa o si la temperatura del refrigerador fuese muy alta (por ejemplo, si la puerta se ha dejado abierta).

(6) Ice off / Child Lock (3 sec)
(Hielo desactivado/Bloqueo para niños [3 segundos])


Presione el botón **Ice off / Child Lock (3 sec)** (Hielo desactivado/Bloqueo para niños [3 segundos]) para desactivar la fábrica de hielo del refrigerador o del congelador. Si mantiene pulsado este botón durante 3 segundos, la pantalla y el dispensador quedarán bloqueados.

(7) Ice (Hielo)

Presione el botón **Ice** (Hielo) para seleccionar el tipo de hielo deseado. Cada vez que pulse el botón, el modo de elaboración de hielo cambiará entre cubitos y hielo picado. Este modo no puede usarse de forma simultánea con el modo Agua.

(8) Water (Agua)

Pulse el botón **Water** para dispensar agua. Este modo no puede usarse de forma simultánea con el modo Tipo de hielo. El modo Agua quedará desactivado al pulsar el botón de Tipo de hielo.

 Algunas funciones quedan desactivadas pasados unos segundos al pulsar los botones, mientras son activados otros en el mismo instante. Esto se considera normal.

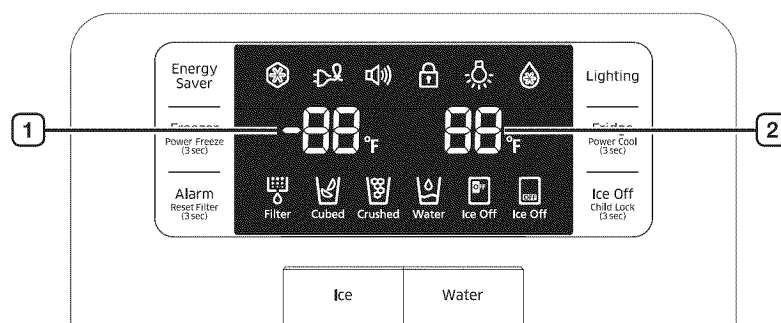
Funcionamiento del refrigerador de tres puertas (REFG238 MODELO)

USO DE LA PANTALLA DIGITAL

Temperatura de la heladera (1) indica la temperatura actual en la heladera.

Temperatura de la heladera (2) indica la temperatura actual en el refrigerador.

Si no pulsa ningún botón, los indicadores de temperatura de la heladera y el refrigerador se apagarán pasados unos segundos. Si pulsa cualquier botón, la pantalla se iluminará de nuevo.



Congelación rápida

Este ícono se iluminará cuando presione el botón **Freezer / Power Freeze (3 sec)** (Congelador/Congelación rápida [3 segundos]) durante 3 segundos. Cuando disponga de hielo suficiente, simplemente pulse el mismo botón durante 3 segundos para cancelar el modo de **Congelación rápida**. Tras dos horas y media, el modo **Congelación rápida** se apagará automáticamente para reducir el consumo de energía.

Cubitos , hielo picado , agua

Disfrute de cubitos o hielo picado escogiéndolo mediante el panel de control digital. Si no necesita hielo, desactive la función para ahorrar consumo de agua y energía. Se iluminará el ícono del tipo de hielo correspondiente a su elección.

Refrigeración rápida

Este ícono se iluminará cuando presione el botón **Fridge / Power Cool (3 sec)** (Refrigerador/Refrigeración rápida [3 segundos]) durante 3 segundos. Si desea cancelar el modo de Refrigeración rápida, simplemente pulse de nuevo el botón durante 3 segundos. Tras dos horas y media, el modo **Refrigeración rápida** se apagará automáticamente para reducir el consumo de energía.

Filtro

Cuando la luz del indicador del filtro se prenda, es el momento de cambiar el filtro. Normalmente esto sucede cada 6 meses aproximadamente. Al introducirlo inicialmente, el indicador del filtro de agua se iluminará en azul (amarillo-verde). El indicador del filtro pasará a iluminarse en rosa (ámbar) tras 270 galones (1,000 litros) de uso. El indicador del filtro pasará a iluminarse en rojo tras 300 galones (1,140 litros) de uso. Tras reemplazar el filtro de agua usado e instalar uno nuevo (examine la página 41 para obtener instrucciones) cuando el filtro esté rojo, reinicie el indicador manteniendo pulsado el botón **Alarm / Reset Filter (3 sec)** (Alarma/Restablecer el filtro [3 segundos]) durante 3 segundos. (El indicador del filtro pasará a ser de color azul o verde amarillento cuando el indicador sea reiniciado).

Modo de enfriamiento desactivado (código “OF & OF” en la pantalla de visualización)

El modo Refrigeración desactivada detiene tanto en el compartimento de la heladera como en el del refrigerador, pero no se cortará el suministro eléctrico al electrodoméstico. Para usar esta función, presione los botones **Energy Saver** (Ahorro de energía) y **Freezer / Power Freeze (3 sec)** (Congelador/Congelación rápida [3 segundos]) simultáneamente durante 3 segundos hasta que se oiga la alarma. Para cancelar este modo, pulse de nuevo los mismos botones durante 3 segundos y el refrigerador volverá al modo de refrigeración.

Esta función se usa para refrigeradores de muestra en tiendas. No para uso doméstico.

Ahorro de energía

Este icono se iluminará al pulsar el botón Energy Saver (Ahorro de energía). La función de ahorro de energía se activará automáticamente en "ON" al conectar el refrigerador. Si se produjese condensación en las puertas, desactive la función de Ahorro de energía.

Iluminación

Este icono se iluminará al pulsar el botón Lighting (Iluminación). En este caso, la luz del dispensador (bajo la pantalla) permanecerá constantemente iluminada. Si desea que la luz del dispensador se prenda sólo cuando esté usándose, desactive la función Lighting.

Alarma

Este icono se iluminará al pulsar el botón Alarm (Alarma). La alarma de puerta sonará si se deja abierta cualquier puerta durante más de 3 minutos. El aviso sonoro se detendrá cuando cierre la puerta. Inicialmente la alarma está activada.

Hielo del refrigerador desactivado

Este icono se iluminará al activar el botón Fridge Ice Off (Hielo del refrigerador desactivado). En este caso, el refrigerador no elaborará hielo.

Hielo de la heladera desactivado

Este icono se iluminará al activar el botón Freezer Ice Off (Hielo de la heladera desactivado). En este caso, la heladera no elaborará hielo.

- Debido a que este refrigerador dispone de doble máquina de hielo, puede darse un incremento de gasto energético. Le recomendamos que si dispone de hielo suficiente, desactive la elaboración de hielo para ahorrar energía.
- Podría oír, ocasionalmente, ruidos producidos por la caída o el flujo de agua de la máquina de hielo. Estos ruidos forman parte del normal funcionamiento.

Lock

Este icono se iluminará al pulsar el botón Lock (Bloqueo). En este estado, no podrá usar el panel de control. Si mantiene pulsado el botón Ice Off / Lock (Hielo desac. / Bloquear) durante 3 segundos, podrá usar de nuevo el panel de control.

CONTROL DE LA TEMPERATURA DEL REFRIGERADOR

Temperatura básica de los compartimentos de la heladera y el refrigerador

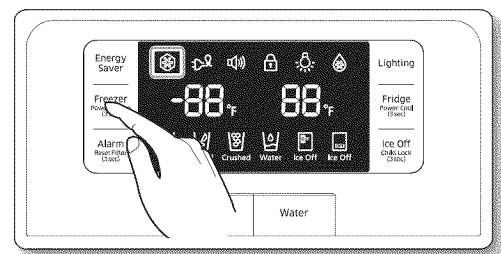
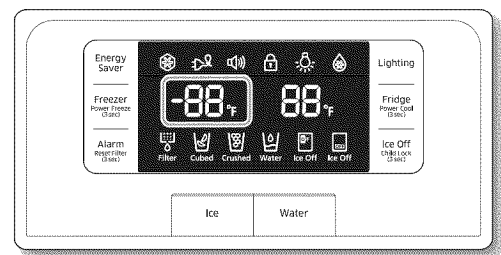
La temperatura básica o recomendada para los compartimentos de la heladera y el refrigerador es de -2°F y 3°C (38°F) respectivamente. Si la temperatura de los compartimentos de la heladera y el refrigerador es demasiado alta o baja, ajuste la temperatura manualmente.

Control de la temperatura de la heladera

La temperatura de la heladera puede ajustarse entre 8°F y -8°F para adaptarse a sus necesidades particulares. Pulse el botón Freezer varias veces hasta que la temperatura deseada aparezca en la pantalla de visualización. La temperatura variará 2°F con cada pulsación (-2°F → -4°F → -6°F → -8°F → 8°F → 6°F → 4°F → 2°F → 0°F → -2°F). Tenga en cuenta que algunos alimentos tales como el helado pueden derretirse a 4 °F. La visualización de temperatura cambiará secuencialmente desde -8°F a 8°F. Cinco segundos después de establecer la nueva temperatura, la pantalla mostrará la temperatura actual de la heladera hasta que alcance la nueva.

Uso de la Congelación rápida

Si necesita elaborar una gran cantidad de hielo o desea que la heladera se enfríe más rápidamente, puede usar la función de **Congelación rápida**. Mantenga presionado el botón **Freezer / Power Freeze (3 sec)** (Congelador/ Congelación rápida [3 segundos]) durante 3 segundos. A continuación, se iluminará el indicador de la función de **Congelación rápida**, independiente de la temperatura de ajuste de la heladera. Si escoge la función **Congelación rápida**, la temperatura interior de la heladera descenderá durante dos horas y media aproximadamente. Cuando disponga de hielo suficiente, simplemente mantenga pulsado el mismo botón durante 3 segundos para cancelar el modo de **Congelación rápida**. Entonces, el indicador se apagará y la heladera volverá de nuevo su temperatura de ajuste.




Funcionamiento del refrigerador de tres puertas (REFG238 MODELO)

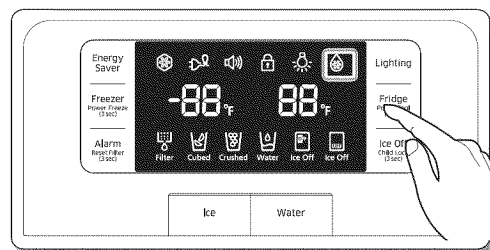
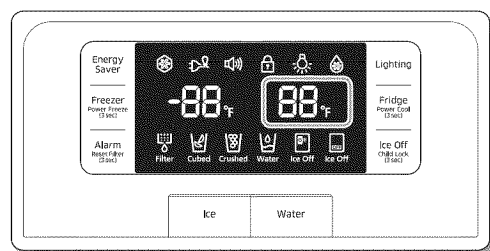
Control de la temperatura del refrigerador

La temperatura del refrigerador puede ajustarse entre 46° F y 34° F para adaptarse a sus necesidades particulares. Pulse varias veces el botón Fridge hasta que la temperatura deseada aparezca en la pantalla de visualización. La temperatura variará 2° F con cada pulsación (38°F → 36°F → 34°F → 46°F → 44°F → 42°F → 40°F → 38°F). El proceso de control de temperatura para el refrigerador funciona de la misma forma que el de la heladera. Pulse el botón Fridge para ajustar la temperatura deseada. Pasados unos segundos, el refrigerador se encaminará hacia la temperatura recientemente ajustada. Lo que se reflejará en la pantalla de visualización digital.

Uso de la Refrigeración rápida

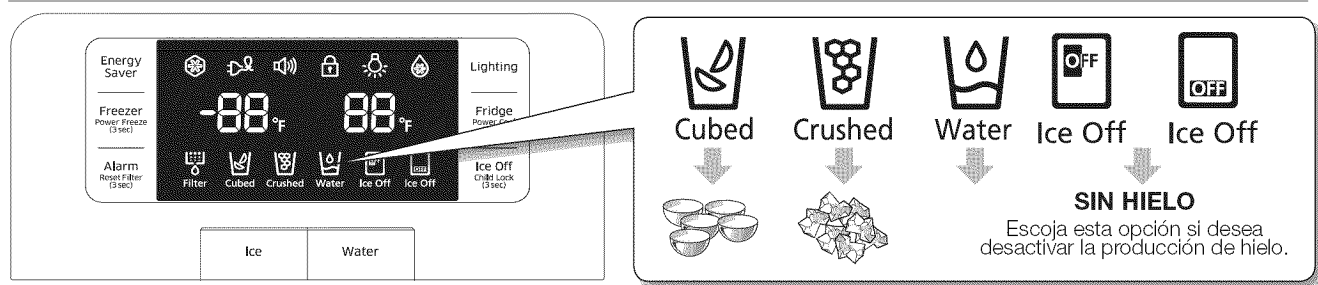
Use la función de Refrigeración rápida para conseguir un enfriamiento rápido. Mantenga presionado el botón **Fridge / Power Cool (3 sec)** (Refrigerador/ Refrigeración rápida [3 segundos]) durante 3 segundos. Entonces, se iluminará el indicador de la función Refrigeración rápida, activándose dicho modo de forma independiente de la temperatura de ajuste del refrigerador. Si escoge Refrigeración rápida, la temperatura interior del refrigerador descenderá durante dos horas y media aproximadamente o hasta alcanzar 25°F. Mantenga pulsado de nuevo el botón durante 3 segundos para cancelar el modo de Refrigeración rápida. Entonces, el indicador se apagará y el refrigerador volverá de nuevo su temperatura de ajuste.

-  - La temperatura de la heladera, refrigerador o zona Pantry puede aumentar debido a una apertura frecuente de las puertas o a la introducción, en cualquiera de ellos, de una gran cantidad de alimentos calientes.
- Esto puede provocar que la pantalla de visualización parpadee. Una vez que la temperatura de la heladera y el refrigerador vuelvan a sus ajustes normales, el parpadeo cesará.
- Si continúa parpadeando, puede ser necesario "reiniciar" el refrigerador. Pruebe desenchufando el electrodoméstico, esperando unos 10 minutos y volviéndolo a enchufar.
- Si se produce un error de comunicación entre la pantalla de visualización y el controlador principal, el indicador de la pantalla del compartimento Pantry podría parpadear. Una vez alcanzadas las temperaturas de ajuste normales, el parpadeo cesará. Si continúa parpadeando durante un período de tiempo prolongado, póngase en contacto con su centro de servicio Samsung Electronics.




USO DEL DISPENSADOR DE AGUAFRÍA


Pulse el botón de Tipo de hielo o agua según sus preferencias.




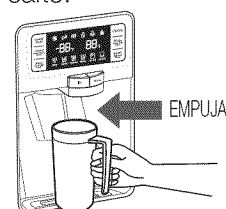
Uso del dispensador de hielo

Coloque un vaso bajo el dispensador de hielo y pulse, con él, la palanca del dispensador cuidadosamente. Asegúrese de que el vaso se encuentra en línea con el dispensador para evitar que el hielo salte.

 **PRECAUCIÓN** Antes de usar el cajín para cubitos/cubitera y durante su uso, lavar estos componentes con un detergente suave, enjuagar bien y secar por completo. No utilizar limpiadores ni disolventes fuertes o abrasivos.

 **PRECAUCIÓN** Veuillez attendre 2 secondes avant de retirer le verre sous le distributeur afin de prévenir les déversements. Si la porte du réfrigérateur s'ouvre, le distributeur ne fonctionne pas.

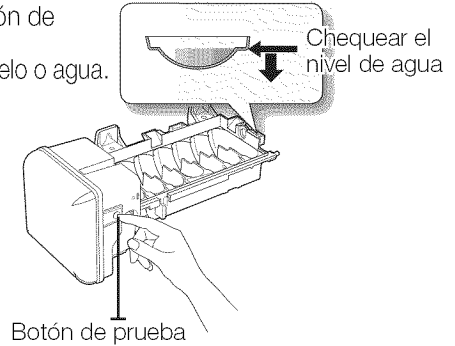
 **PRECAUCIÓN** Al escoger el modo Cubitos de hielo tras usar el de Hielo picado, puede producirse una pequeña cantidad de hielo picado residual.



Funcionamiento _29



- En caso de que el hielo no salga, extraiga el depósito de hielo y pulse el botón de prueba situado en el lateral derecho de la máquina de hielo.
- No pulse el botón de prueba de forma continua cuando la bandeja está llena de hielo o agua. Podría producirse un derramamiento de agua o un bloqueo de hielo.



• **Uso normal**

Para llenar el depósito de hielo a su máxima capacidad tras la instalación, asegúrese de seguir los pasos expuestos a continuación.

1. Permita que su refrigerador funcione y enfríe durante 24 horas (o durante 1 día completo).
2. Una espera de 24 horas permitirá que su máquina de hielo enfríe de forma adecuada.
3. Dispense de 4 a 6 cubitos de hielo dentro del vaso.
4. Tras 8 y 16 horas, dispense un vaso lleno de hielo.



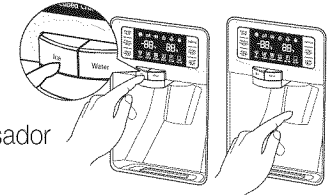
Si se produce una falla de corriente, los cubitos podrían derretirse y adherirse unos a otros al congelarse de nuevo cuando se reestablezca el suministro eléctrico, provocando que el dispensador quede fuera de servicio. Para evitar este problema, extraiga el depósito de hielo y deseche el hielo o agua residual.



Cuando vacíe la cubeta de hielos, usted debe presionar una vez la palanca del dispensador de hielos con la función "ice cubed" o "crushed" en posición ON para obtener hielo rápidamente después de colocar nuevamente la cubeta de hielos en el refrigerador.



Si usa todo el hielo de una vez, deben repetirse los pasos 3 y 4 anteriores (antes de dispensar los primeros 4 a 6 cubitos de hielo, es necesario esperar 8 horas). Esto permitirá el reabastecimiento de cubitos, garantizando una elaboración máxima de hielo.



Uso del dispensador de agua

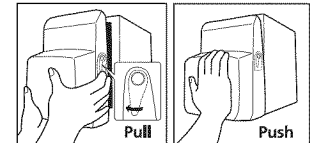
Coloque un vaso bajo la salida de agua y pulse, con él, la palanca del dispensador cuidadosamente. Asegúrese de que el vaso se encuentra en línea con el dispensador para evitar que el agua salpique. Si acaba de instalar el refrigerador o montar un nuevo filtro de agua, haga correr 3 galones de agua a través del filtro antes de utilizarlo (durante aproximadamente 6 minutos). Asegúrese de que el agua vuelva a fluir limpia antes de beberla.



Cuando no use el dispensador de agua durante 2 ó 3 días (especialmente durante el verano), el agua dispensada podría presentar olores o sabores extraños. Si esto ocurre, recomendamos que deseche los primeros 1 ó 2 vasos de agua para mejorar su sabor.

Uso de la función Ice Off

Al escoger el modo Ice Off (Hielo desac.), retire todos los cubitos del depósito. Si no usa el dispensador de hielo, los cubitos pueden adherirse unos a otros. Si acaba de instalar el refrigerador o montar un nuevo filtro de agua, haga correr 3 galones de agua a través del filtro antes de utilizarlo (durante aproximadamente 6 minutos). Asegúrese de que el agua vuelva a fluir limpia antes de beberla.



Use sólo el dispositivo de fabricación de hielo incluido con el refrigerador.

El suministro de agua a este refrigerador debe ser instalado/conectado por un profesional cualificado y conectado a un suministro de agua potable únicamente.

Para que la fábrica de hielo funcione correctamente, se necesita una presión de agua de 20 ~ 125 psi.

Si va a ausentarse durante unas vacaciones o un viaje de negocios de larga duración y no va a usar los dispensadores de agua o hielo, cierre la válvula de agua.

- De lo contrario podrían ocasionarse fugas de agua.

Limpie el exceso de humedad del interior y deje las puertas abiertas.

- De lo contrario podrían acumularse olores y moho.

No introduzca los dedos, manos ni ningún otro objeto inadecuado en el conducto de salida o en el depósito de la máquina de hielo.

- Hacerlo podría ocasionar lesiones físicas o daños materiales.

No introduzca los dedos ni ningún otro objeto en la salida del dispensador.

- Podría ocasionar lesiones.

No intente desmontar la máquina de hielo.

No salpique ni rocíe agua en el depósito de hielo.



Fenómeno de enturbamiento del agua

Toda el agua suministrada a los refrigeradores pasa a través del filtro principal, que es un filtro de agua alcalino. En este proceso, la presión del agua que ha pasado por el filtro aumenta y el agua se satura de oxígeno y nitrógeno. Cuando el agua fluye de nuevo al aire, la presión se reduce y el oxígeno y el nitrógeno quedan supersaturados, por lo que se transforman en burbujas de gas. El agua podría adquirir un aspecto turbio debido a estas burbujas de oxígeno. El agua podría adquirir, temporalmente, un aspecto turbio debido a estas burbujas de oxígeno. Pasados unos segundos, el agua volverá a ser transparente.

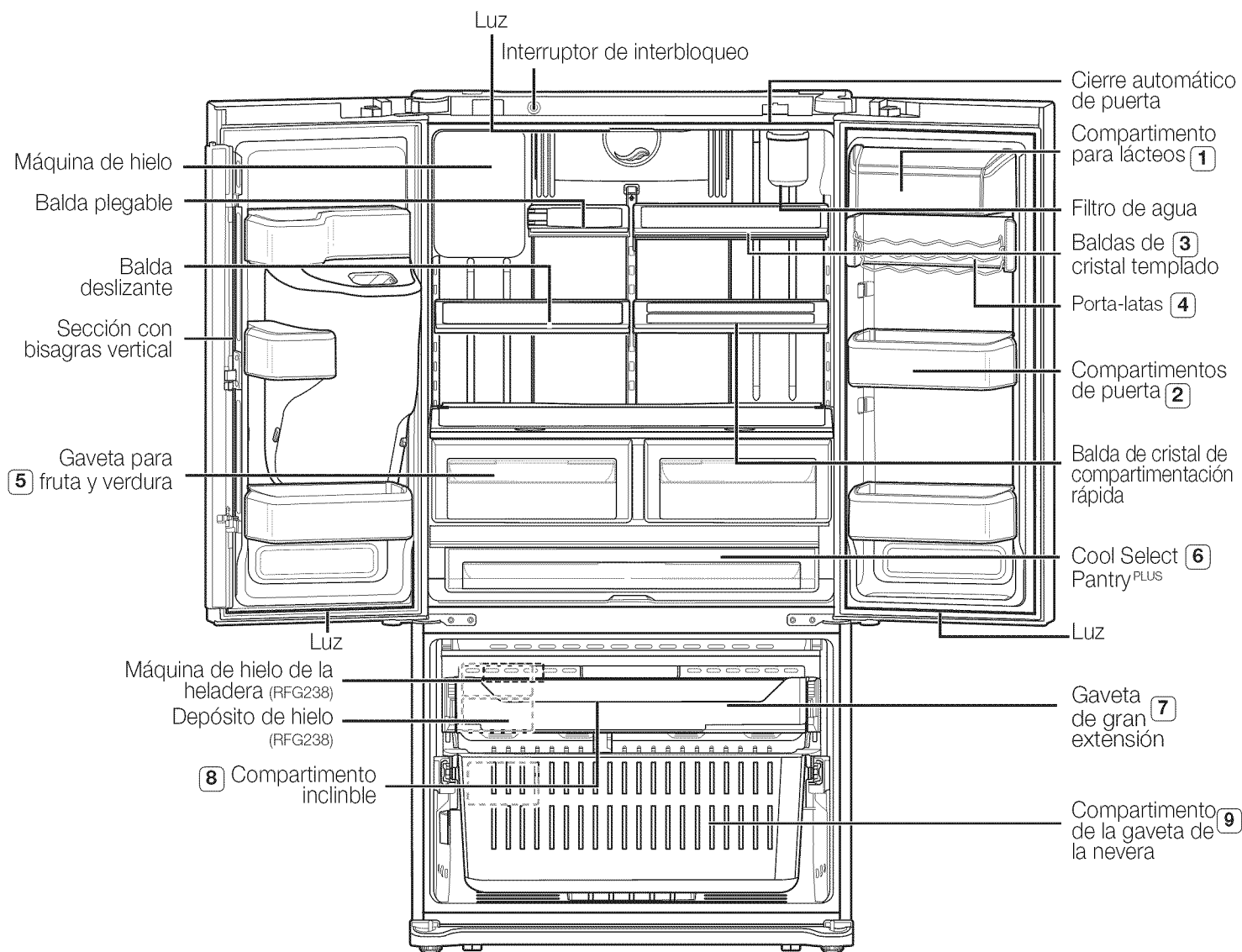


Tras dispensar agua, espere 1 segundo antes de retirar el vaso para evitar derrames. No tire de la palanca del dispensador una vez obtenido hielo o agua. Volverá automáticamente a su posición. El hielo se elabora en cubitos. Al escoger "Crushed" (Hielo picado), la máquina de hielo tritura los cubitos para conseguir hielo picado.

Funcionamiento del refrigerador de tres puertas

PARTES Y FUNCIONES

Use esta página para familiarizarse con las partes y funciones del refrigerador.



- Al cerrar la puerta, asegúrese de que la sección con bisagras vertical se encuentra en posición correcta para evitar arañazos en la otra puerta.
 Si la sección con bisagras vertical está al revés, devuélvala a su posición correcta y cierre la puerta.
 En algunas ocasiones se puede producir humedad en la sección con bisagras vertical.
 El tirador de la puerta puede aflojarse con el paso del tiempo.
 Si esto ocurre, apriete los pernos que se encuentran en la parte interior de la puerta.
 Si cierra la puerta empleando una fuerza excesiva, se abrirá la otra.
- Al abrir la puerta, el interruptor de interbloqueo apaga automáticamente el motor del tornillo sin fin de la máquina de hielo por motivos de seguridad.

ALMACENAJE DE ALIMENTOS EN EL REFRIGERADOR

El refrigerador Samsung de tres puertas ha sido diseñado para proporcionarle características y funciones de ahorro máximo de espacio. Aquí tiene algunos de los compartimentos personalizados que hemos creado para mantener sus alimentos frescos durante períodos de tiempo más largos. Para evitar la penetración de olores en el interior del compartimento del hielo, los alimentos almacenados deberán ser envueltos adecuadamente, tan herméticos como sea posible.

(1) COMPARTIMENTO PARA LÁCTEOS	Puede usarse para almacenar pequeños productos lácteos como mantequilla o margarina, yogurt o dados de crema de queso.	
(2) DEPÓSITOS DE PUERTA	Diseñados para soportar artículos grandes y voluminosos como galones de leche u otras botellas o recipientes de grandes dimensiones.	
(3) BALDAS DE CRISTAL TEMPLADO	Con diseño antirrotura, las baldas pueden usarse para almacenar todo tipo de alimentos y bebidas. Las marcas circulares en la superficie de cristal representan un fenómeno normal que puede limpiarse a menudo con un paño húmedo.	
(4) PORTA-LATAS	Diseñado para almacenar envases de refresco.	
(5) GAVETAS PARA FRUTA Y VERDURA	Usado para mantener frescas sus frutas y verduras. Esta gaveta puede controlar el nivel de humedad de alimentos que deban mantener un grado de humedad concreto. Si es posible, mantenga separadas verduras y frutas.	
(6) COOL SELECT PANTRY PLUS	Puede usarse como bandeja grande para fiestas, delicatessen, pizzas, bebidas o artículos diversos.	

- ✎ No coloque artículos de grandes dimensiones bajo el foco del refrigerador. Hay un sensor situado en las proximidades del foco y, si dicho sensor fuese bloqueado, su refrigerador podría enfriarse demasiado. Coloque verduras y frutas en la gaveta que tienen asignada para evitar que se congelen. Si los alimentos se congelasen en su refrigerador, ajústelo a una temperatura más alta.

ALMACENAJE DE ALIMENTOS EN LA GAVETA DE LA NEVERA

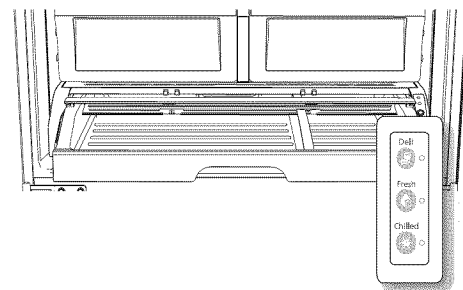
(7) GAVETA DE GRAN EXTENSIÓN	La mejor elección para almacenar carnes o alimentos secos. Los alimentos almacenados deberán introducirse en un envase o envolverse adecuadamente usando papel de aluminio u otros materiales adecuados.	
(8) COMPARTIMENTO INCLINABLE	Puede usarse para paquetes pequeños o alimentos congelados.	
(9) COMPARTIMENTO DE LA GAVETA DE LA NEVERA	Puede usarse para almacenar carne y alimentos secos. Los alimentos almacenados deberán introducirse en un envase o envolverse adecuadamente usando papel de aluminio u otros materiales adecuados.	

- ✎ Las botellas deberán almacenarse unas junto a otras para que no se golpeen y caigan al abrir la puerta del refrigerador.
- ✎ Si tiene planeado ausentarse durante un período de tiempo prolongado, vacíe el refrigerador y apáguelo. Limpie el exceso de humedad del interior del electrodoméstico y deje las puertas abiertas. Esto ayuda a evitar la proliferación de olores y moho.

Funcionamiento del refrigerador de tres puertas

USO DEL COOL SELECT PANTRY^{PLUS}

La Cool Select Pantry^{PLUS} es una gaveta de ancho completo que dispone de control de temperatura ajustable. Este compartimento puede usarse como bandeja grande para fiestas, delicatessen, pizzas, bebidas o artículos diversos. Dispone de un sensor de temperatura que puede ajustar la cantidad de aire frío que entra en el compartimento. El control se encuentra situado en la cara derecha del compartimento.



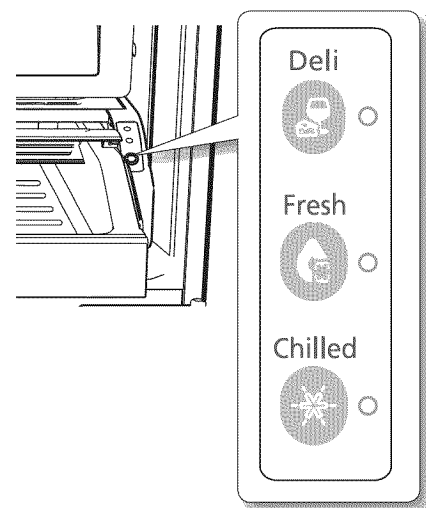
- Pulse el botón que desee.
El modo Chilled (Enfriamiento) (34°F (1°C)), el modo Fresh (Frescos) (38°F (3°C)) y el modo Deli (Delicatessen) (41°F (5°C)) quedarán escogidos al pulsar cada botón. Inicialmente, está ajustado el modo Fresh (Frescos) Aunque la temperatura de ajuste sea diferente de la actual, ésta cambiará a la de ajuste de forma automática.
- La temperatura del compartimento Pantry puede cambiar según la cantidad de alimentos introducidos, la temperatura ambiente y la frecuencia de apertura de la puerta.
- Este puede cambiarse debido a la carga térmica en el compartimento Pantry.

Temperatura

Puede escoger la temperatura que desee para el compartimento Pantry entre los modos Enfriamiento (34°F (1°C)), Frescos (38°F (3°C)) y Delicatessen (41°F (5°C)).

Botón de selección

1. Al escoger "Deli", la temperatura del compartimento se mantiene entorno a 5°C (41°F). Esta función ayuda a mantener los alimentos frescos durante un período de tiempo más prolongado.
2. Al escoger "Fresh", la temperatura del compartimento se mantiene entorno a 3°C (38°F). Esta función ayuda a mantener los alimentos frescos durante un período de tiempo más prolongado.
3. Al escoger "Chilled", la temperatura del compartimento se mantiene entorno a 1°C (34°F). Esta función también ayuda a mantener carnes y pescados frescos durante un período de tiempo más prolongado.



Deli

- piñas
- limones
- aguacates
- patatas


Fresh (Fresco)

- pepinos
- manzanas
- naranjas
- uvas
- calabacines
- maíz

Chilled (Helado)

- bistec
- quesos curados
- embutidos
- bacon
- perritos calientes

 Las frutas y verduras podrían estropearse en bajo el ajuste "Enfriamiento". No guarde lechuga ni otros productos similares bajo este ajuste.

 No almacene botellas de cristal en este compartimento. Si se congelasen, podrían romperse y provocar lesiones físicas.

DESMONTAJE DE LOS ACCESORIOS DEL REFRIGERADOR

1. Compartimento de puerta y para lácteos

Para desmontarlo - simplemente levántelo y extráigalo directamente.

Para volver a montarlo - deslícelo sobre el emplazamiento deseado y pulse hasta encajarlo en posición.



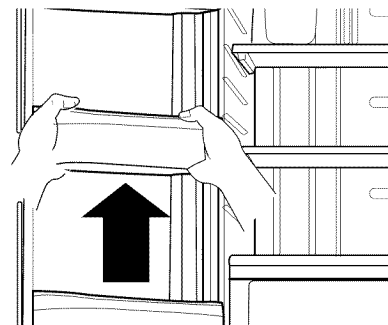
PRECAUCIÓN

Si los compartimentos de la puerta no están montados de forma firme, pueden producirse lesiones. No monte un compartimento lleno de alimentos.



No monte un compartimento lleno de alimentos.

Método de eliminación del polvo, quitar la guardia y lavar en agua.



2. Baldas de cristal templado

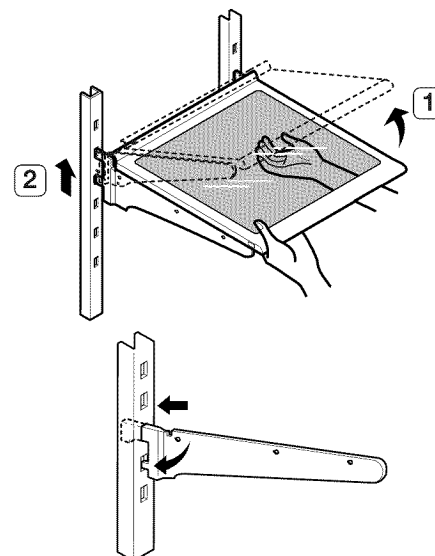
To remove - Para desmontarlas - incline hacia arriba la parte frontal de la balda, en sentido (1) y levántela en sentido (2). Extraiga la balda.

To relocate - Para volver a montarlas - incline hacia arriba la parte frontal de la balda y guíe sus ganchos sobre las ranuras, a la altura deseada. A continuación, haga descender la parte frontal de la balda de tal forma que los ganchos puedan entrar en las ranuras correspondientes.



PRECAUCIÓN

Las baldas de cristal templado son pesadas. Ponga especial atención al desmontarlas.



3. Gaveta para fruta y verdura

Para extraerla - retire la gaveta todo lo posible. Incline hacia arriba la parte frontal de la gaveta y extráigalo directamente hacia fuera.

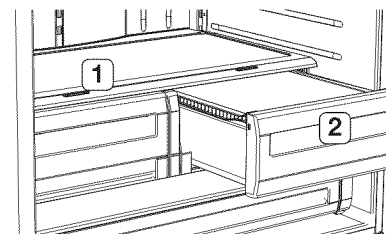
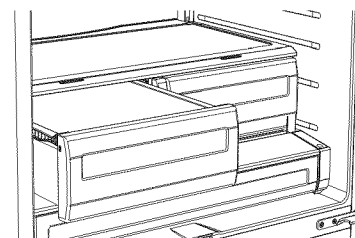
Para volver a colocarla - introduzca la gaveta en los rieles del marco y empújela hacia atrás hasta su posición.



PRECAUCIÓN

La balda de cristal sobre la gaveta no está firmemente asegurada. Tenga cuidado al levantar.

No abra la gaveta mientras el compartimento Cool Select Pantry^{PLUS} está abierto. Hacerlo puede provocar que se arañe o se rompa su cubierta.



Funcionamiento del refrigerador de tres puertas

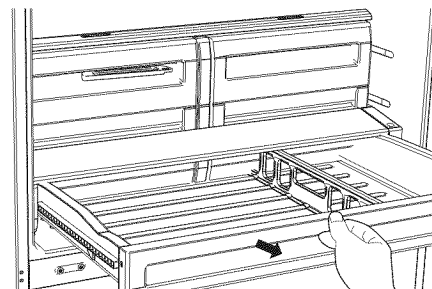
4. Cool Select Pantry ^{PLUS}

Para extraer el compartimento

- extraiga toda la extensión de la gaveta. Incline hacia arriba la cara frontal del compartimento y extráigalo directamente hacia fuera.

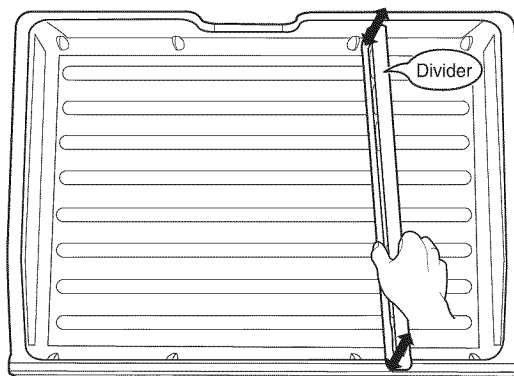
Para volver a colocar el compartimento

- Extraiga toda la extensión de los rieles del refrigerador. Coloque la gaveta dentro de los rieles y deslice el compartimento hasta su lugar.



Para retirar la división - tire por completo del compartimento en toda su extensión y levante la cara frontal de la división para desengancharla de la parte posterior de la pared del compartimento y, a continuación, levántelo.

Para volver a colocar la división - enganche la parte de atrás de la división sobre la parte posterior de la pared del compartimento y, a continuación, empuje hacia abajo la división.



USO DE LAS PUERTAS

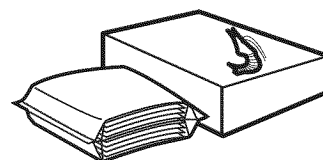
Las puertas del refrigerador garantizan el cierre y sellado completo del mismo.

Cuando la puerta del refrigerador está sólo parcialmente abierta, se cerrará automáticamente.

Pero la puerta permanecerá abierta si supera su límite de cierre automático.

USO DEL COMPARTIMENTO INCLINABLE

El compartimento inclinable puede usarse para almacenar pequeños paquetes de alimentos congelados.

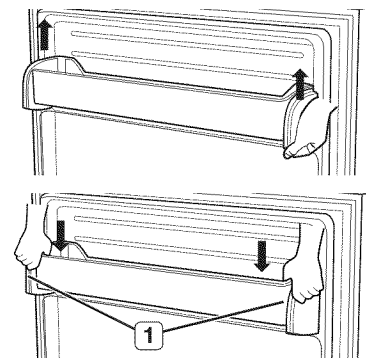


DESMONTAJE DE LOS ACCESORIOS DEL REFRIGERADOR

1. Compartimento inclinable

Para desmontarlo - tire de hacia arriba de los soportes (1) hasta que oiga el "clic" y retire el compartimento.

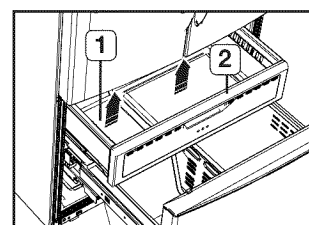
Para volver a montar - enganche los extremos del compartimento en ambos soportes (2) y empuje hacia abajo hasta que encaje en su lugar.



2. Depósito de hielo

Para extraerlo - levante el depósito (1).

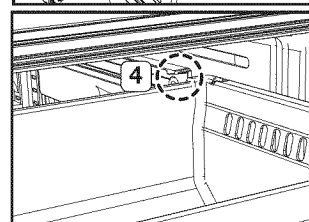
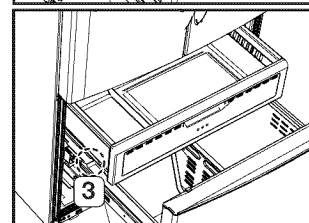
Para volver a colocarlo - sitúe el depósito de hielo dentro de la gaveta de gran extensión (2).



3. Gaveta de gran extensión

Para extraerla - Retire la gaveta todo lo posible. Inclínela hacia la parte posterior de la gaveta y elévela directamente.

Para volver a colocarla - Sitúe la gaveta dentro de los rieles (4) inclinandola hacia arriba. Haga descender la gaveta (3) hasta que se encuentre en posición horizontal y deslícela hacia dentro.



4. Cajón del congelador

Para retirar el cajón: extraiga el cajón del congelador completamente. Inclínelo hacia arriba y levántelo para retirarlo. Para volver a colocarlo : insértelo en los rieles.



PRECAUCIÓN

Puede rayar el lateral del compartimento si lo gira a izquierda o derecha al armarlo o desarmarlo.



PRECAUCIÓN

No permita que bebés ni niños entren en el cajón del congelador.

Pueden dañar el refrigerador y lesionarse gravemente. No se sienten en la puerta del congelador.

No permita que los niños trepen al cajón del congelador.



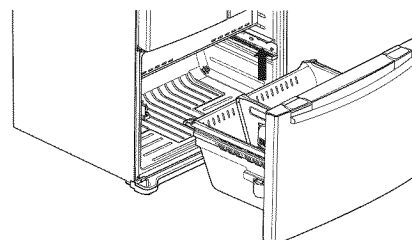
ADVERTENCIA

No retire el divisor.



PRECAUCIÓN

Si un niño queda atrapado dentro se puede lesionar o morir asfixiado.



Funcionamiento del refrigerador de tres puertas

CONSEJOS ÚTILES PARA EL ALMACENAJE DE ALIMENTOS

Alimentos	Refrigerador	Heladera	Consejos útiles de almacenaje
PRODUCTOS LÁCTEOS			
Mantequilla	2-3 semanas	6-9 meses	Envuélvala o tápela herméticamente.
Leche	1-2 semanas	No recomendado	Chequee la fecha. La mayoría de la leche y productos similares se venden en cajas de cartón fechadas que indican el período de máxima frescura de un producto. Vuelva a cerrar herméticamente mediante tapa o envoltorio. No devuelva el producto no consumido al recipiente original.
Queso en crema, derivados del queso y queso para untar	2-4 semanas	No recomendado	Chequee la fecha. Mantenga todos los quesos guardados herméticamente en un envoltorio con protección contra la humedad.
Queso curado (sin abrir)	3-4 meses	6 meses	
Queso curado (abierto)	2 meses	No recomendado	
Queso fresco	10-15 días	No recomendado	
Nata	7-10 Days	2 meses	
Crema agria	2 semanas	No recomendado	Chequee la fecha. La mayoría de los yogures, cremas y productos similares se venden en cajas de cartón fechadas que indican el período de máxima frescura de un producto. Vuelva a cerrar o tapar herméticamente. No devuelva el producto no consumido al recipiente original.
Salsa Dip (abierta)	1 semanas	No recomendado	
Yogur	10-14 días	No recomendado	Chequee la fecha. Manténgalo tapado.
Yogur congelado	n/a	2 meses	
HUEVOS			
Huevos (frescos)	3-4 semanas	No recomendado	Chequee la fecha. Guarde los huevos en la parte más fría del refrigerador y dentro de su envase original.
Huevos (cocinados)	1 semanas	No recomendado	Guarde en envase con tapa.
Sobras de platos con huevo	3-4 días	No recomendado	Guarde en envase con tapa.
FRUTA FRESCA			
Manzanas	1 meses	No recomendado	No lave la fruta antes de introducirla en el refrigerador. Guárdela en bolsas o recipientes resistentes a la humedad. Envuelva la fruta cortada. Algunas frutas se ponen negras al introducirlas en el refrigerador.
Plátanos	2-4 días	No recomendado	
Melocotones, melones, peras, aguacates	3-5 días	No recomendado	
Bayas y cerezas	2-3 días	12 meses	
Albaricoques	3-5 días	No recomendado	
Uvas	3-5 días	n/a	
Piña (sin cortar)	2-3 días	No recomendado	
Piña (cortada)	5-7 días	6-12 meses	
Cítricos	1-2 semanas	No recomendado	Guárdelos sin cubrir.
Zumo	6 días	No recomendado	Chequee la fecha y vuelva a cerrar su recipiente original. No devuelva el producto no consumido al recipiente original.
Zumo congelado	Sólo para descongelar	12 meses	Chequee la fecha. No vuelva a congelarlo.

Funcionamiento del refrigerador de tres puertas

CONSEJOS ÚTILES PARA EL ALMACENAJE DE ALIMENTOS

Alimentos	Refrigerador	Heladera	Consejos útiles de almacenaje
PESCADO Y MARISCO			
Pescado			
Pescado azul (caballa, trucha, salmón)	1-2 días	2-3 meses	Manténgalo en su envoltorio original e introdúzcalo en la parte más fría del refrigerador. Introdúzcalo en plástico para congelados con protección contra el vapor y la humedad. Congélelo a 0° F (-18° C). Descongélelo en el refrigerador o bajo chorro de agua.
Pescado blanco (bacalao, lenguado, etc.)	1-2 días	6 meses	
Congelado o empanado	n/a	3 meses	Chequee la fecha. Congélelo en su envase original.
Marisco			
Gambas (crudas)	1-2 días	12 meses	Para congelarlos, introdúzcalos en un recipiente con protección contra el vapor y la humedad.
Cangrejo	3-5 días	10 meses	
Pescado o marisco congelado	2-3 días	3 meses	
CARNE			
Fresca, cruda			
Chuletas	2-4 días	6-12 meses	Chequee la fecha para usarla. Guárdela en la parte más fría del refrigerador, en su envase original. Introdúzcala en un recipiente extra que disponga de protección contra la humedad y el vapor para congelarla. Temperatura recomendada para el refrigerador: de 33°F a 36°F (0°C a 2°C), y para la heladera: de 0°C a 2°F (-18°C a -17°C)
Picada	1 día	3-4 meses	
Costillas	2-4 días	6-12 meses	
Bacón	1-2 semanas	1-2 meses	
Salchicha	1-2 días	1-2 meses	
Bistec	2-4 días	6-9 meses	
Aves	1 día	12 meses	
Charcutería	3-5 días	1 meses	
Cocinada			
Carne	2-3 días	2-3 meses	
Aves	2-3 días	4-5 meses	Chequee la fecha para usarla. Guárdela en la parte más fría del refrigerador, en su envase original. Introducir en un recipiente con protección contra la humedad y el vapor para congelar.
Jamón	1-2 semanas	1-2 meses	

Fuentes:

American Meat Institute Foundation. 1994. Páginas amarillas: respuestas a las preguntas más frecuentes acerca de carnes y aves. American Meat Institute Food Marketing Institute. 1999. The food keeper. Food Marketing Institute, Washington, D.C. F reeland-Graves, J.H. y G.C. Peckham. 1996. Foundations of food preparation, 6ª ed. Prentice-Hall, Inc. Englewood Cliffs, NJ. Hillers, V.N. 1993. Storing foods at home. Washington State University Cooperative Extension, Pullman, WA. Publ. EB 1205. National Restaurant Association. 2001. Be cool-chill out! Refrigerate promptly. National Restaurant Association Education Foundation's International Food Safety Council, Washington, D.C. USDA. 1997. Basics for handling food safely. U.S. Department of Agriculture, Food Safety and Inspection Service, Washington, D.C.

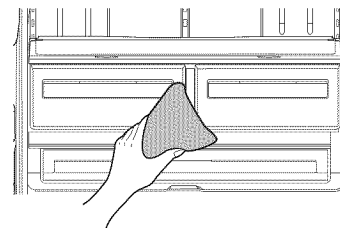
Funcionamiento del refrigerador de tres puertas

LIMPIEZA DEL REFRIGERADOR

El cuidado del refrigerador de puerta francesa Samsung prolonga su vida útil y ayuda a que no se filtren olores ni gérmenes.

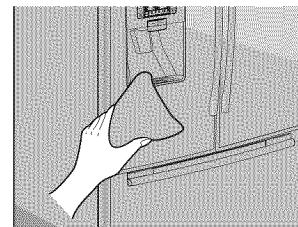
Limpeza del interior

Limpe las paredes internas y los accesorios con un detergente suave, luego seque con un paño suave. Puede retirar los cajones y estantes para limpiar a fondo. Asegúrese de secar los cajones y estantes antes de colocarlos nuevamente en su lugar.



Limpeza del exterior

Limpe el panel de control y el visor digital con un paño húmedo, limpio y suave. No pulverice con agua directamente sobre la superficie del refrigerador. Las puertas, manijas y las superficies del gabinete se deben limpiar con un detergente suave y luego secar con un paño suave. Para que el refrigerador luzca mejor que nunca, recomendamos pulir el exterior una o dos veces al año.



No pulverice agua directamente ni tampoco use un paño mojado o húmedo.



No utilice bencina, solvente o Clorox para limpiarlo. Pueden dañar la superficie del refrigerador y provocar un incendio.



Las letras impresas en el visor pueden borrarse si se aplica directamente el limpiador de acero inoxidable sobre la zona.



Limpeza del dispensador de hielo / agua

Empuje hacia abajo un extremo de la charola del dispensador y retírela. Limpe el dispensador de hielo / agua con un paño limpio y suave.



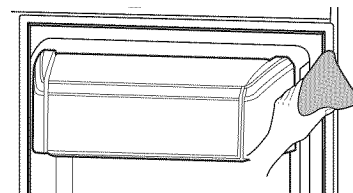
Cuando se utilice la selección de hielo triturado del dispensador es posible que en el recipiente de hielo se comiencen a acumular fragmentos de hielo residual. Para impedir que este hielo residual se derrita y sobresalga del recipiente, se deberá limpiar el hielo residual cuando se vea que empieza a acumularse en el recipiente del hielo.



Funcionamiento del refrigerador de tres puertas

Limpeza de los burletes de goma de la puerta

Si los burletes de goma de la puerta están sucios, es posible que las puertas no cierren correctamente, y el refrigerador no funcionará como corresponde. Mantenga los burletes libres de polvo o manchas limpiando las puertas con un detergente suave y un paño húmedo. Seque con un paño limpio y suave.



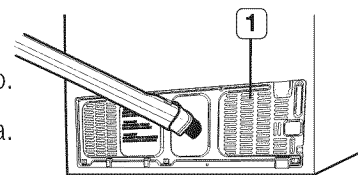
No limpie el refrigerador con bencina, solvente o detergente para automóviles ya que puede provocar un incendio.

Limpeza de la parte posterior del refrigerador

Para mantener los cables y las partes expuestas libres de polvo y suciedad aspire la parte posterior del refrigerador una o dos veces por año.



No retire la tapa posterior (1). Podría sufrir una descarga eléctrica.



REEMPLAZO DE LA LUZ INTERIOR



Por favor, contacte con el ingeniero de servicio para su reemplazo.

REEMPLAZO DEL FILTRO DE AGUA



Para reducir el riesgo de daños materiales, NO utilice filtros de agua de marcas genéricas en su frigorífico SAMSUNG. UTILICE SÓLO FILTROS DE LA MARCA SAMSUNG. SAMSUNG no aceptará ninguna responsabilidad legal por los daños materiales incluidos, pero no limitado a ellos, aquellos causados por fugas de agua debidas al uso de un filtro de agua genérico. Los frigoríficos SAMSUNG están diseñados para funcionar SÓLO CON FILTROS DE AGUA SAMSUNG.

La luz del “indicador de filtro” le permite saber cuándo ha llegado el momento de cambiar el cartucho del filtro de agua. Para que tenga tiempo de conseguir un filtro nuevo, la luz roja aparecerá justo antes de que la capacidad del filtro actual se agote. Cambiar el filtro a tiempo le permitirá obtener agua más fresca y pura de su refrigerador.



1. Coja un filtro de agua nuevo y coloque una etiqueta adhesiva indicadora de mes (**1**) sobre el filtro como se indica. La fecha del adhesivo debe indicar seis meses a partir de la fecha actual. Por ejemplo, si ha reemplazado el filtro de agua en marzo, coloque la etiqueta “SEP” (septiembre) sobre el filtro para recordarle que debe reemplazarlo en dicho mes. Normalmente, la vida útil del filtro es de unos 6 meses.
2. Retire la tapa de protección del nuevo filtro (**2**) y extraiga el antiguo.
3. Coloque e introduzca el nuevo filtro en su alojamiento. Gire lentamente el filtro de agua en sentido horario para alinearlos con la marca impresa situada en la cubierta, bloqueando el filtro en su posición. Asegúrese de alinear la marca de la etiqueta del filtro de agua (**3**) con el centro de la impresión de la cubierta del filtro como se indica en la ilustración. Recuerde, no lo fuerce.



4. Luego de los pasos anteriores, mantenga presionado el botón **Alarm / Reset Filter (3 sec)** (Alarma/Restablecer el filtro [3 segundos]) durante 3 segundos para restablecer el filtro.



5. Por último, haga correr 3 galones de agua a través del filtro antes de utilizarlo (durante aproximadamente 6 minutos). Asegúrese de que el agua vuelva a fluir limpia antes de beberla.
 - ☑ Asegúrese de enjuagar a fondo el dispensador, de lo contrario el agua podría gotear. Esto significa que aún queda aire en la toma. NO use el dispensador de agua o hielo sin un cartucho de filtro de agua instalado, ya que la toma de agua podría bloquearse.

Solicite un filtro de agua de repuesto

Para reemplazar el filtro del agua, puede visitar su centro de bricolaje habitual o ponerse en contacto con el distribuidor de repuestos de Samsung.

Asegúrese de que el filtro de agua de repuesto dispone del logotipo SAMSUNG en la caja y en el propio filtro. [Enlace : http://www.samsungparts.com](http://www.samsungparts.com)

Solución de problemas

PROBLEMA	SOLUCIÓN
El refrigerador no funciona o no enfría lo suficiente.	<ul style="list-style-type: none"> • ¿Chequee que la toma de alimentación esté correctamente conectada. • Chequee si la temperatura de ajuste de la pantalla digital es mayor que la temperatura interior de la heladera o refrigerador. • ¿visualización? Intente ajustarlo a una temperatura inferior. • ¿Está instalado el refrigerador bajo la luz directa del sol o junto a una fuente de calor? • ¿Está la parte posterior del refrigerador demasiado pegada a la pared y, por tanto, impidiendo la circulación del aire?
Los alimentos del refrigerador están congelados.	<ul style="list-style-type: none"> • Chequee si la temperatura de ajuste de la pantalla digital es demasiado baja. • Intente ajustarlo a una temperatura más alta. • ¿Es muy baja la temperatura de la estancia? Intente ajustarlo a una temperatura más alta. • ¿Ha introducido alimentos con un alto contenido de agua en la parte más fría del refrigerador? Intente mover estos artículos dentro del cuerpo del refrigerador en lugar de guardarlos en la gaveta Cool Select Pantry^{PLUS}.
Se oyen ruidos o sonidos inusuales.	<ul style="list-style-type: none"> • Chequee que el refrigerador está nivelado y es estable. • ¿Está la parte posterior del refrigerador demasiado pegada a la pared y, por tanto, impidiendo la circulación del aire? • ¿Ha caído algo en la parte posterior o bajo el refrigerador? Se oyen sonidos repetitivos procedentes del interior del refrigerador. Es normal y ocurre debido a que varios accesorios se contraen y expanden en base a la temperatura del interior del refrigerador.
Las esquinas frontales y la sección con bisagras vertical del electrodoméstico están calientes, produciéndose condensación.	<ul style="list-style-type: none"> • Es normal que se produzca algo de calor ya que los sistemas anticondensación están instalados en la sección con bisagras vertical del refrigerador para evitar dicho fenómeno. • ¿Está entreabierta la puerta del refrigerador? Puede producirse condensación cuando la puerta permanece abierta durante un período de tiempo prolongado.
La máquina de hielo no está elaborando cubitos.	<ul style="list-style-type: none"> • ¿Ha esperado las 12 horas posteriores a la instalación de la toma de abastecimiento de agua antes de elaborar hielo? • ¿Está conectada la toma de agua y la válvula de corte abierta? • ¿Detuvo manualmente el funcionamiento de la máquina de hielo? • ¿Es demasiado alta la temperatura de la nevera? Intente ajustar la temperatura de la nevera a un nivel inferior.
Puede oír borboteo de agua procedente del refrigerador.	<ul style="list-style-type: none"> • Esto se considera normal. El borboteo procede de la circulación del líquido de refrigeración a través del refrigerador. • Limpie periódicamente su heladera buscando y desechando alimentos en mal estado.
Se perciben malos olores procedentes del refrigerador.	<ul style="list-style-type: none"> • Chequee que no existen alimentos estropeados. • Los alimentos con un olor fuerte (por ejemplo, pescados) deben cubrirse herméticamente. • Limpie periódicamente su heladera chequeando y desechando alimentos en mal estado.
Se forma escarcha en las paredes de la nevera.	<ul style="list-style-type: none"> • ¿Está bloqueado el conducto de ventilación? Elimine cualquier obstrucción para conseguir que el aire circule libremente. • Disponga suficiente espacio entre los alimentos almacenados para lograr una circulación de aire más eficiente. • ¿Está cerrada correctamente la puerta de la nevera?
No funciona el dispensador de agua.	<ul style="list-style-type: none"> • ¿Está conectada la toma de agua y la válvula de corte abierta?
Se forma condensación o gotas de agua en ambos lados de la parte central de la puerta del refrigerador.	<ul style="list-style-type: none"> • La condensación o las gotas de agua pueden formarse si la humedad es demasiado elevada mientras el refrigerador está en funcionamiento. • Si hay condensación o gotas de agua en ambos lados de la parte central de la puerta del refrigerador, apague el modo Ahorro de energía después de retirarlas.

Garantía

CUADRO DEL FILTRO DE AGUA

Hoja de datos de rendimiento para el modelo DA97-06317A de Samsung Uso del cartucho de repuesto DA29-00003G

Este sistema ha sido probado según los estándares 42 y 53 de la NSF/ANSI para la reducción de las sustancias que se enumeran a continuación. La concentración de las sustancias indicadas en la entrada de agua del sistema fue reducida a una concentración inferior o igual al límite permitido para la salida de agua del sistema, tal y como especifican en los estándares 42 y 53 de la NSF/ANSI.



El sistema probado y certificado por la NSF Internacional relativo al estándar 42 de la NSF/ANSI para la reducción del sabor y olor a cloro, partículas de clase I y relativo al estándar 53 de la NSF/ANSI para la reducción de quistes, turbiedad, plomo, amianto, benceno, Carbofuran, p-diclorobenceno y mercurio.

Para una capacidad de 300 galones (1,136 litros).

Tenga en cuenta que como la prueba se realizó bajo las condiciones estándar del laboratorio, el rendimiento real podría variar.

Reducción de contaminantes	Concentración media de entrada	NSF Specified Influent Challenge Concentration Units apply to each row	Reducción media (%)	Concentración media del producto en agua	Máx. concentración permitida del producto en agua	Exigencias de reducción de la NSF	Prueba de la NSF
Sabor y olor a cloro	2.1 mg/L	2.0 mg/L ± 10%	97.6	0.05 mg/L	No aplicable	> 50%	J-00029741
Partículas de clase I, tamaño de las partículas: < 0,5 a < 1um	10,566,666 pt/mL	Al menos 10,000 partículas/mL	98.4	171,833 pts/mL	No aplicable	> 85%	J-00029739
Quistes*	127,500 quistes/L	Mínimo 50,000 quistes/L	99.99	<1 quiste/L	No aplicable	> 99.95%	J-00031000
Turbiedad	10.5	11±1 UNT	98.6	0.15 UNT	0.5 UNT	> 0.5 UNT	J-00033223
Plomo: pH 6,5	153 ug/L	0.15±10%	99.3	<1ug/L	0.010 mg/L	10 ug/L	J-00039590
Plomo: pH 8,5	155 ug/L	0.15±10%	>99.4	<1ug/L	0.010 mg/L	10 ug/L	J-00039591
Mercurio: pH 6,5	5.97 ug/L	0.006±10%	96.6	<0.2 ug/L	0.002 mg/L	2 ug/L	J-00039589
Mercurio: pH 8,5	6.29 ug/L	0.006±10%	88.9	0.7 ug/L	0.002 mg/L	2 ug/L	J-00039586
Amianto	140 MFL	107 a 108 fibras > um de longitud	> 99	<0.17 MFL	No aplicable	99%	J-00029743
Benceno	13.88 ug/L	0.015±10%	96.4	<0.5 ug/L	0.005 mg/L	< 5 ug/L	J-0029751
Carbofuran	79.6 ug/L	0.190 mg/L	98.7	1 ug/L	0.001 mg/L	< 40 ug/L	J-00029750
p-diclorobenceno	237.5 ug/L	0.225±10%	99.8	0.525 ug/L	0.075 mg/L	< 75 ug/L	J-00029749

* Basados en el uso de ooquistes de *Cryptosporidium parvum*

CERTIFICACIÓN DEL FILTRO DE AGUA

Estado de California
Departamento de Salud Pública

Unidad de Tratamiento de Aguas
N.mero de certificado

04 - 1660

Fecha de emisi.n: julio 7, 2004
Fecha de revisi.n: junio 2, 2008

Designaci.n de Marca comercial/Modelo

Samsung DA61-00159A-B

Elementos de reemplazo

DA29-00003

Samsung DA97-06317A

DA29-00003G

Fabricante: Cuno Incorporated

Los dispositivos de tratamiento de agua enumerados en este certificado, re.nen los requisitos de prueba conforme a la Secci.n 116830 del C.digo de Salud y Seguridad para los siguientes contaminantes relacionados con la salud:

Contaminantes microbiol.gicos y turbiedad

Quistes
Turbiedad

Contaminantes inorg.nicos/radiol.gicos

Amianto
Plomo
Mercurio

Contaminantes org.nicos

Benceno
Carbofuran
p-diclorobenceno

Capacidad de servicio nominal: 300 galones

Flujo de servicio nominal: 0,5 g/m

Condiciones de la certificaci.n:

No usar en lugares donde el agua presente un riesgo microbiol.gico o en aguas cuya calidad sea desconocida, excepto cuando se empleen sistemas certificados para la reducci.n de quistes en aguas desinfectadas que puedan contener quistes susceptibles de ser filtrados.

Garantía

REFRIGERADOR SAMSUNG

GARANTÍA LIMITADA AL COMPRADOR ORIGINAL

Este producto de marca Samsung, suministrado y distribuido por Samsung Electronics America, Inc. (Samsung) y entregado nuevo, en su caja de cartón original al comprador original, está garantizado por Samsung ante defectos de fabricación en materiales y mano de obra durante un período de garantía limitado a:

Un (1) año para las piezas y la mano de obra del refrigerador

Cinco (5) años para las piezas y la mano de obra exclusivamente del sistema hermético de refrigeración*

Diez (10) años para las piezas y cinco (5) años para la mano de obra para el compresor Inverter digital

(*Compresor, evaporador, condensador, deshumidificador, tuberías de conexión.)

Esta garantía limitada comienza en la fecha original de compra y sólo es válida para productos adquiridos y usados en los Estados Unidos. Para recibir servicios bajo garantía, el comprador debe ponerse en contacto con Samsung para proceder a la resolución del problema y al procedimiento de reparación. El servicio de garantía sólo puede realizarse a través de un servicio técnico autorizado Samsung. Debe presentarse la factura original de venta bajo solicitud de Samsung o del servicio técnico autorizado Samsung, como prueba de compra.

Samsung reparará o reemplazará cualquier pieza considerada defectuosa a nuestra entera discreción y sin cargo, como queda estipulado en este documento, por piezas nuevas o reparadas durante el período de garantía limitada anteriormente especificado. Todas las piezas y productos reemplazados pasan a ser propiedad de Samsung, debiendo ser devueltos a Samsung. Las piezas y productos de repuesto quedarán aún bajo el período restante de garantía original, o noventa (90) días, el que sea más extenso. La prestación de servicios in situ será proporcionada durante el período de garantía de mano de obra, sujeta a disponibilidad dentro de los estados contiguos de los EE.UU. La prestación de servicios in situ no está disponible en todas las zonas. Para recibir prestación de servicios in situ, el producto debe estar despejado y ser accesible al nivel del piso por parte del personal de servicio. Si durante la prestación de servicios in situ, no pudiera completarse la reparación, podría ser necesario el traslado, reparación y devolución posterior del producto. Si la prestación de servicios in situ no está disponible, Samsung podría escoger, a nuestra entera discreción, proporcionar transporte a nuestra elección hasta y desde un servicio técnico autorizado Samsung. De lo contrario, el transporte hasta y desde el servicio técnico autorizado Samsung corre por cuenta del comprador.

Esta garantía limitada cubre defectos de fabricación en materiales y mano de obra bajo condiciones de uso normal, no comercial, del producto y no se aplicará en los siguientes casos, incluidos, aunque no limitados a: daños ocasionados durante el transporte; entrega e instalación; utilizaciones y usos para los que el producto no fue diseñado; producto o números de serie alterados; daños externos o de acabado exterior; accidentes, mal uso, negligencia, incendio, agua, rayos u otros fenómenos naturales; uso de productos, equipamiento, sistemas, utilidades, servicios, piezas, suministros, accesorios, aplicaciones, instalaciones, reparaciones, tuberías externas y fugas, cableado externo, disyuntores, fusibles o conectores no suministrados y autorizados por Samsung o que dañen este producto u ocasionen problemas de servicio; voltaje incorrecto, fluctuaciones y sobretensión del suministro eléctrico; adaptaciones y fallas, por parte del cliente, en el cumplimiento de las instrucciones de funcionamiento, limpieza, mantenimiento y de entorno que se incluyen y establecen en el manual de instrucciones; pérdida de alimentos por descomposición; consumibles incluyendo filtros y iluminación.

NO EXISTEN OTRAS GARANTÍAS EXPLÍCITAS MÁS QUE LAS RECOGIDAS Y DESCRITAS ANTERIORMENTE, ASÍ COMO TAMPOCO EXISTEN OTRAS GARANTÍAS EXPLÍCITAS O IMPLÍCITAS, INCLUYENDO SIN LIMITACIÓN TODAS LAS GARANTÍAS IMPLÍCITAS DE COMERCIABILIDAD O IDONEIDAD PARA UN FIN CONCRETO QUE PUDIERAN RESULTAR PERTINENTES TRAS LOS PERÍODOS EXPLÍCITOS DE GARANTÍA INDICADOS CON ANTERIORIDAD. TAMPOCO SERÁN LEGALMENTE VINCULANTES PARA SAMSUNG OTRAS GARANTÍAS EXPLÍCITAS U OFRECIDAS POR PERSONAS, FIRMAS O EMPRESAS EN RELACIÓN A ESTE PRODUCTO. SAMSUNG NO SERÁ LEGALMENTE RESPONSABLE DE LA PÉRDIDA DE INGRESOS O BENEFICIOS, LA NO MATERIALIZACIÓN DE AHORROS U OTROS BENEFICIOS, O DE CUALQUIER DAÑO RESULTANTE ESPECIAL, ACCIDENTAL O INDIRECTO OCASIONADO POR EL USO, ABUSO O INCAPACIDAD DE USO DE ESTE PRODUCTO, INDEPENDIEMENTE DE LA TEORÍA LEGAL SOBRE LA QUE SE BASA LA RECLAMACIÓN, INCLUSO SI SAMSUNG HA SIDO ADVERTIDO DE LA POSIBILIDAD DE TALES DAÑOS. IGUALMENTE, CUALQUIER TIPO RECUPERACIÓN EXIGIDA A SAMSUNG NO SUPERARÁ EL PRECIO DE COMPRA DEL PRODUCTO VENDIDO POR SAMSUNG Y QUE HA OCASIONADO EL SUPUESTO DAÑO. SIN LIMITAR LO INDICADO ANTERIORMENTE, EL COMPRADOR ASUME TODO EL RIESGO Y RESPONSABILIDAD DE CUALQUIER PÉRDIDA, DAÑO O LESIÓN PERSONAL Y A SU PROPIEDAD, ASÍ COMO A TERCEROS Y SUS PROPIEDADES, OCASIONADAS POR EL USO, ABUSO O INCAPACIDAD DE USO DE ESTE PRODUCTO VENDIDO POR SAMSUNG Y NO PROVOCADAS DIRECTAMENTE POR LA NEGLIGENCIA DE SAMSUNG. ESTA GARANTÍA LIMITADA NO SERÁ VÁLIDA PARA PERSONAS DISTINTAS AL COMPRADOR ORIGINAL DE ESTE PRODUCTO, ES INTRANSFERIBLE Y ESTIPULA SU SOLUCIÓN EXCLUSIVA.

Ciertos estados no permiten limitaciones en relación a la duración de una garantía implícita o la exclusión o limitación de daños accidentales o indirectos, de tal forma que las mencionadas limitaciones o excepciones pueden no ser pertinentes. Esta garantía le otorga unos derechos legales específicos, e incluso puede conferirle otros derechos, distintos dependiendo del estado en que se encuentre. Para obtener servicio de garantía, póngase en contacto con Samsung en:

CENTRO DE ASISTENCIA AL CLIENTE DE SAMSUNG

Samsung Electronics America, Inc. 85 Challenger Road Ridgefield Park, NJ 07660
1- 800-SAMSUNG (1-800-726-7864) y www.samsung.com

Memo

Memo


Memo



Contacte con SAMSUNG WORLD WIDE

Si tiene alguna pregunta o comentario acerca de productos Samsung, por favor contacte con el servicio de atención al cliente de SAMSUNG.

PAÍS	LLAME AL	O VISÍTENOS EN LÍNEA EN	ESCRIBA A
EE. UU.	1-800-SAMSUNG (726-7864)	www.samsung.com/us/support	Samsung Electronics America, Inc. 85 Challenger Road Ridgefield Park, NJ 07660
CANADA	1-800-SAMSUNG (726-7864)	www.samsung.com/ca/support (Inglés) www.samsung.com/ca_fr/support (Francés)	Samsung Electronics Canada Inc. 2050 Derry Road West, Mississauga, Ontario L5N 0B9 Canada

 Como esfuerzo por ayudar al medio ambiente, este manual de usuario fue impreso en papel reciclado.



DA68-01827B-17