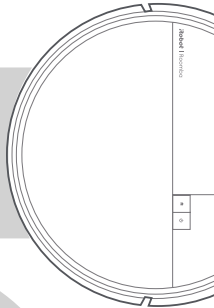


Roomba® 205 DustCompactor™

Vac | **Combo** robot

Owner's Guide

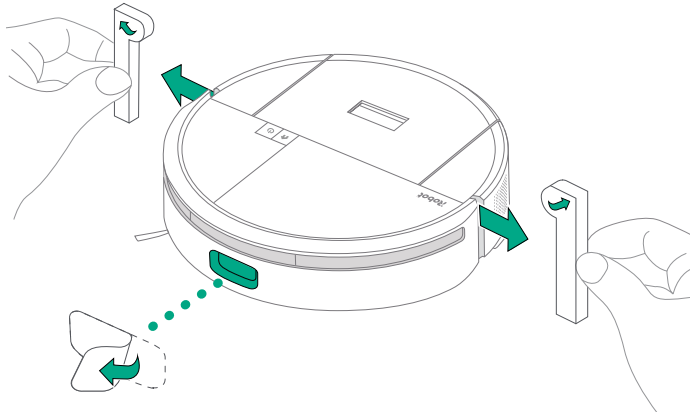


iRobot

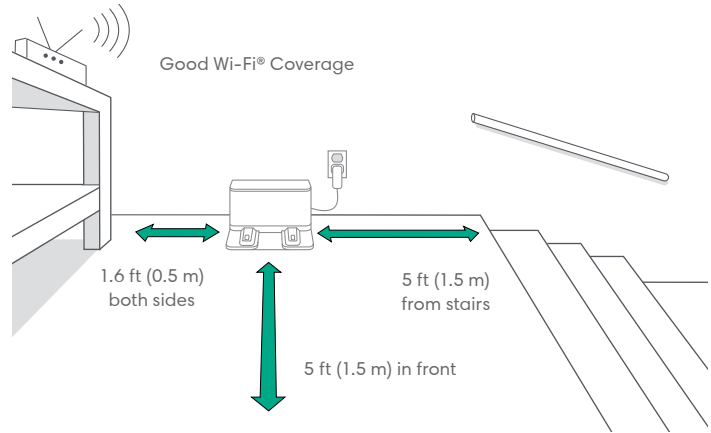


Getting started

1 Remove protective film from camera and foam inserts behind bumper



2 Place the dock on hard surface flooring

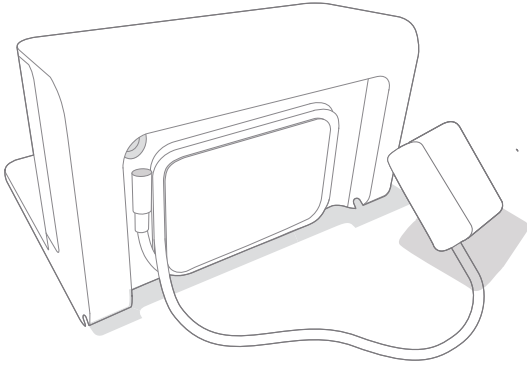


NOTE: Do not place it in direct sunlight. Ensure the area around the dock is free of clutter to improve docking performance.



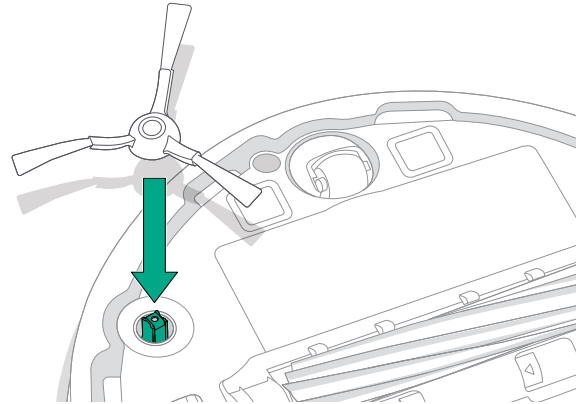
WARNING: To prevent the risk of your robot falling down stairs, ensure that your dock is placed at least 5 feet (1.5 meters) away from stairs.

3 Plug in the dock



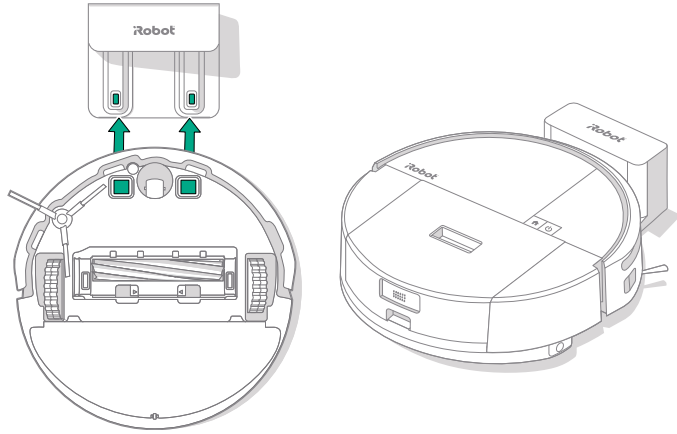
Plug the power cord into the wall. Wrap the cord back so it won't get in the way of the robot as it comes and goes.

4 Install the Edge Sweeping Brush



Align the edge sweeping brush and press down until you hear a click.

5 Wake up the robot



Place your robot in front of the dock, then slide it toward the dock, lining up the metal charging contacts. After a few minutes, a sound will let you know it's awake.



NOTE: Your robot comes with a partial charge, but we recommend that you charge the robot for 4 hours prior to starting the first cleaning.

6 Download the Roomba® Home App

Scan the QR code with the camera on your mobile device or find the Roomba® Home App in your app store. The app will guide you through steps to setup your robot. Once your robot is set up in the app, you'll be able to:

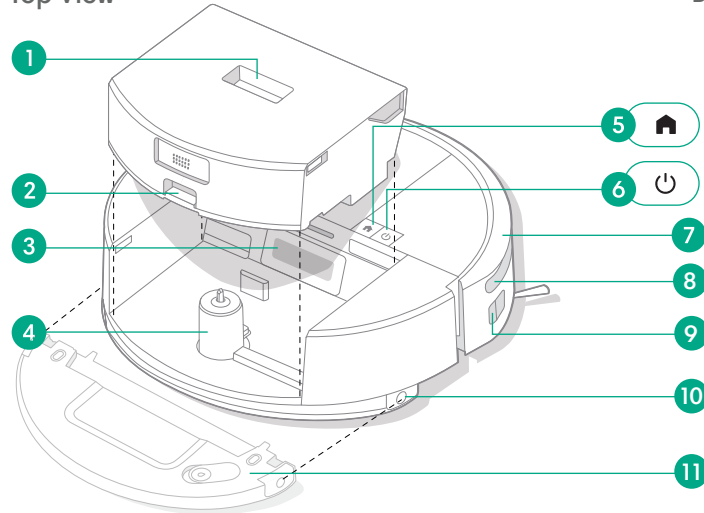
- Control when, where, and how you clean
- Create automatic cleaning schedules
- Set custom cleaning preferences
- Unlock digital features
- Access to tips, tricks, and answers to commonly asked questions



IMPORTANT: Read enclosed safety information guide first before using your robot.

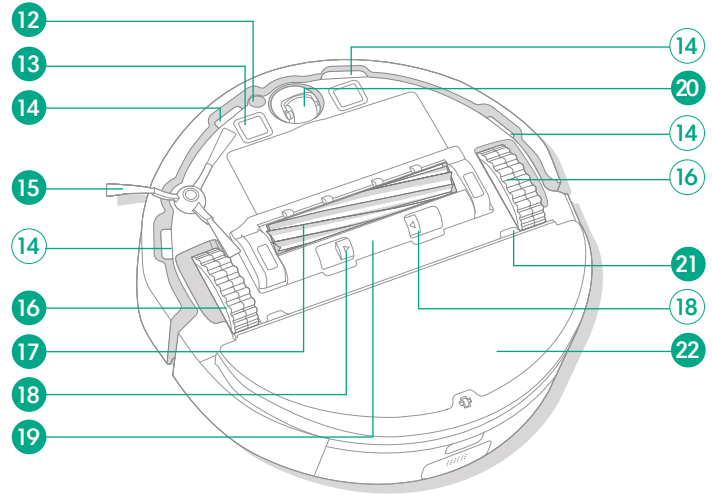
About your Roomba® 205 DustCompactor™ Robot

Top View



- 1 Bin Release Button
- 2 Bin Lid Release Button
- 3 Bin Port
- 4 Arm Control
- 5 Home Button
- 6 Power Button
- 7 Bumper
- 8 ClearView™ LiDAR
- 9 Edge Infrared Sensor
- 10 Water Tank Release Button (combo models only)
- 11 Water Tank (combo models only)

Bottom View

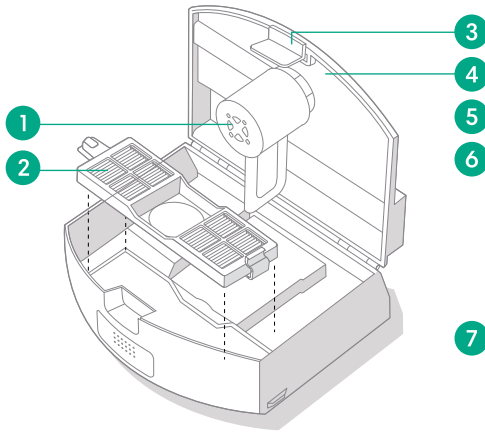


- 12 Carpet Sensor (combo models only)
- 13 Charging Contacts
- 14 Cliff Sensors
- 15 Edge Sweeping Brush
- 16 Wheels
- 17 Multi Surface Brush
- 18 Brush Cover Release Tab
- 19 Brush Cover
- 20 Caster Wheel
- 21 Pad Plate Attachment (combo models only)
- 22 Mop Pad (combo models only)



About your Roomba® 205 DustCompactor™ Robot

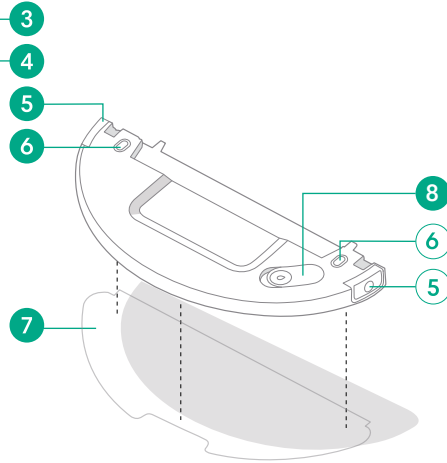
DustCompactor™ Bin



DustCompactor™ Bin

- 1 Compacting Arm
- 2 Filter
- 3 Bin Lid Release Button
- 4 Bin Lid

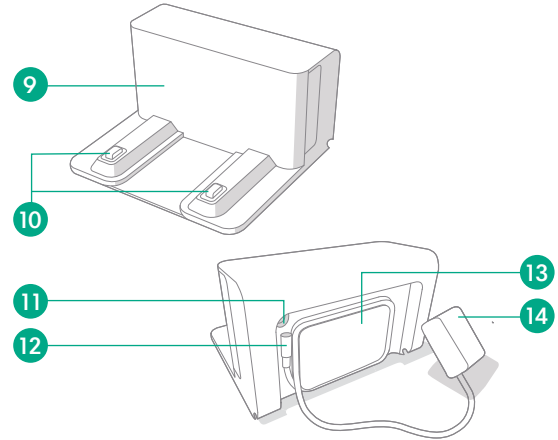
Water Tank (Combo models only)



Water Tank

- 5 Water Tank Release Button
- 6 Electrode Plates
- 7 Mop Pad
- 8 Water Tank Cap

Dock (Place against a wall)



Dock

- 9 IR Window
- 10 Charging Contacts
- 11 Power Port
- 12 Cord Attachment
- 13 Cord Wrap
- 14 Plug



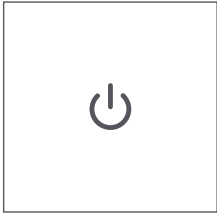
NOTE: The water tank may contain a small amount of residual water due to quality inspection. This is normal.



NOTE: The DustCompactor™ Bin must be installed for both vacuuming mode and vacuuming & mopping mode otherwise the vacuum-mop cannot be turned on.

Charging

Power Icon Indicator



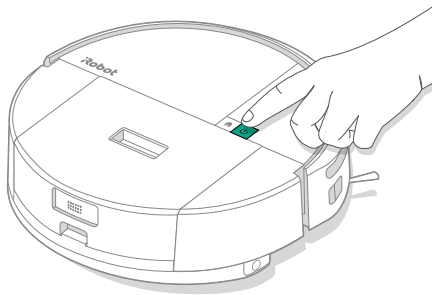
POWER Button

White - Fully charged and connected

Flashing White - Return to dock to charge

Pulsing White - Charging (low battery) - If the user tries to start a mission the buttons will then FLASH Red and trigger an audio telling users it can't start due to low battery.



Flashing Red - Low battery/Error




Charging during a cleaning

You robot will return to the dock whenever it needs to recharge. Once it is sufficiently charged, it will then resume cleaning where it left off.

Standby mode

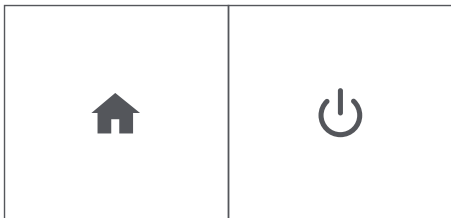
Your robot uses a small amount of power whenever it is on the dock. You can put it in a further-reduced power state when not in use by pressing  for 10 seconds. To exit low power mode short press  button.

Storing your robot

For long-term storage, turn off your robot by removing it from the dock and holding  for 10 seconds. Store in a cool, dry place.

Cleaning

Button Controls



HOME button: Tap to send the robot home
Press when running to pause
Press when paused to dock
Press when docking to stop

POWER button: Tap to Start / Pause / Resume a job
Hold for 3 seconds to turn on
Hold for 10 seconds to turn off

Cleaning Pattern

Your robot will automatically explore and clean your home in neat rows. It will return to the dock at the end of a cleaning routine whenever it needs to recharge.





Tips:

- Remove excess clutter from floors before cleaning.
- Use your robot frequently to maintain well-conditioned floors.

After 90 minutes of inactivity off the dock, your robot will automatically end its cleaning. If you are unsure if it is finished or paused, visit the **Roomba® Home App** to check on its status.

Spot clean

Tap  two times to spot clean a designated area.
After spot clean is complete, your robot will end the job.
Press  To send it back to its dock.



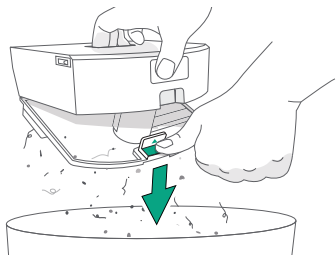
NOTE: It is highly recommended to use the Roomba® Home App for cleaning control. The mobile app can be used to clean specific rooms, setup cleaning routines, and create automations/schedules.



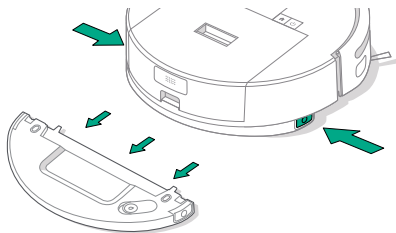
NOTE: Roomba robots are generally designed to be used on most floor types for vacuuming. We do not recommend using mopping functions on unsealed hardwood floors and certain laminate/vinyl planks due to potential water damage to the flooring and/or subfloor. For more info, please visit global.irobot.com.


Vacuuming Only


- 1 If DustCompactor™ Bin is full, empty before starting a cleaning.



- 2 Remove water tank and mop pad, by pressing the tank release buttons on both sides of the robot to slide out.



- 3 To start cleaning, place the robot back on dock and use the app or press the  button.


 **IMPORTANT:** Regularly cleaning the DustCompactor™ Bin can prevent dirt from building up. Otherwise, the performance of the vacuum-mop may be reduced.

Vacuuming and Mopping

(combo models only)

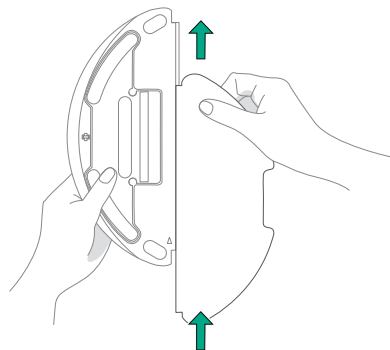
Your robot is able to both vacuum and mop at the same time when the water tank and mop pad are installed.

Your robot will automatically avoid carpets in vac + mop or mop-only cleaning modes when water tank and mop pad are installed.

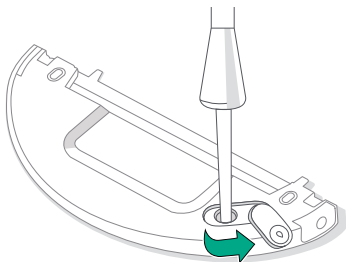
 **IMPORTANT:** Do not add liquids such as hot water, detergent, or disinfectant as they could damage the robot. Only use cold water or iRobot approved cleaning solution as shown on our support site at global.irobot.com.

After completing your mopping and vacuum cleaning, make sure to empty the water tank and replace the mop pad.

- 1 Slide the mop pad along the slot of the water tank, and then attach the pad firmly onto the velcro.



2 Fill the tank with water by opening tank lid, filling the tank with water, and reattaching the lid.





CAUTION: Do not rinse the water tank or immerse it in water. To avoid corrosion and damage, do not use any detergent, disinfectant, solid cleaner, or other cleaning products on the water tank.

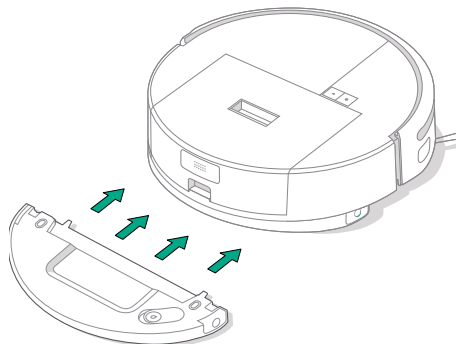
CAUTION: Do not add hot water to the water tank, as this may cause it to become deformed.

3 Reinstall water tank. Slide the water tank horizontally into the bottom of the robot until it clicks into place.



NOTE: If your robot needs water in the middle of a job, tap the  button or press PAUSE in mobile app to pause. Remove tank, add water, and reinstall the tank. Press  button or RESUME in app., to resume.

4 Place the robot back on the dock and use app or  button to start cleaning.



NOTE: Before using, wipe the electrode plates of the water tank clean with a dry cloth.

Care and maintenance for your robot

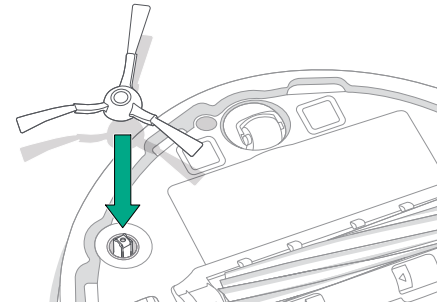
To keep your robot at optimal performance, make sure you periodically perform the following basic care & maintenance. There are additional instructional videos in the Roomba® Home App. If you notice your robot picking up less debris from your floor, empty the bin, clean the filter, and clean the brushes.

Part	Care Frequency	Replacement Frequency*
DustCompactor™ bin	Empty bin as needed	-
Water tank (combo models only)	Empty after each job	-
Filter	Clean once a week (twice a week if you have a pet)	Every 3-6 months
Edge sweeping brush	Clean every 2 weeks or as needed	Every 3-6 months
Multi-surface brush	Clean once a week	Every 6-12 months
Front caster wheel	Clean every 2 weeks or as needed	-
Charging contacts	Clean every 2 weeks or as needed	-
Sensors	Clean once a month or as needed	-
Mop pad (combo models only)	Clean after mopping	Every 3-6 months. Dispose in household waste when no longer usable
Brush cover	Inspect every 6 months	Replace if worn or damaged

* Replacement frequency may vary. Parts should be replaced if visible wear appears. If you think you need a replacement part, please contact iRobot Customer Care for more information.

Cleaning the Edge-Sweeping Brush

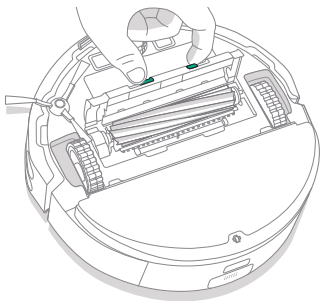
Pull to remove the edge-sweeping brush. Remove any hair or debris using the cleaning brush, then reinstall the edge-sweeping brush.



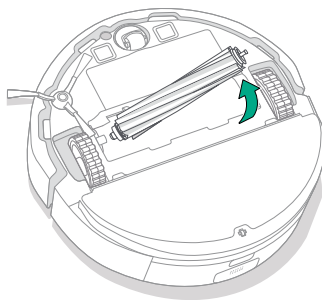
*** IMPORTANT:** It is recommended to replace the edge-sweeping brush every 3-6 months for an optimal cleaning effect.

Cleaning the Multi-Surface Brush

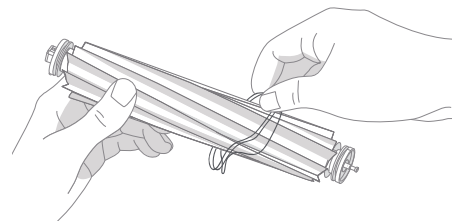
- 1 Press the brush cover release tabs and lift to remove brush cover.



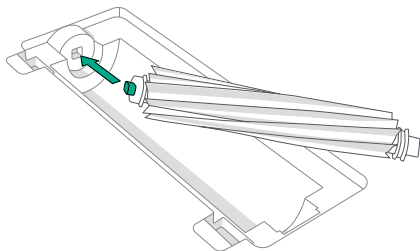
- 2 Remove the multi-surface brush.



- 3 Remove any hair and debris from the cleaning brush.



- 4 Reinstall the multi-surface brush and brush cover in the robot.



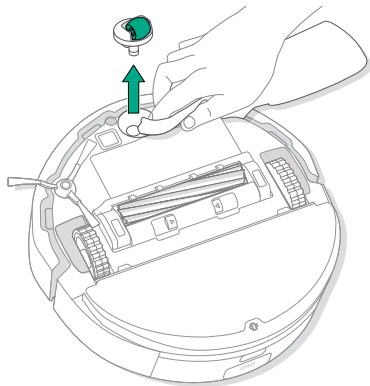
NOTE: For instructions to perform a deeper cleaning of the multi-surface brush, see [global.irobot.com](https://www.irobot.com)



IMPORTANT: It is recommended to replace the main brush every 6-12 months for an optimal cleaning effect.

Cleaning the Front Caster Wheel

- 1 Pull the caster wheel upwards to remove.



- 2 Remove hair and debris from the front caster wheel and the caster wheel cavity.

- 3 Reinstall the caster wheel.

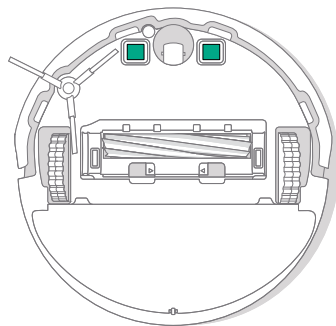


IMPORTANT: A front wheel clogged with hair and debris could result in damage to your floor. If the wheel is not spinning freely after you have cleaned it, please contact Customer Care.

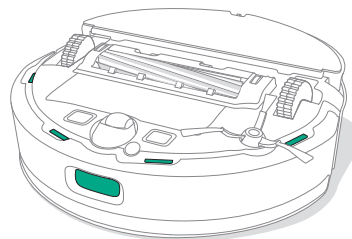
Cleaning the Charging Contacts and Sensors

Unplug dock from wall and wipe charging contacts and sensors with a clean, dry cloth or lightly dampened melamine foam.

CHARGING CONTACTS



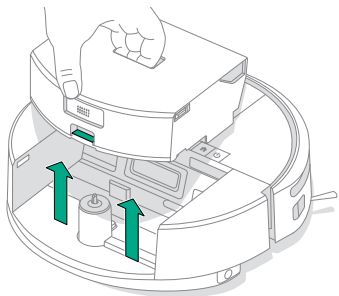
SENSORS



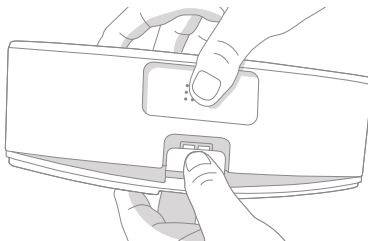
IMPORTANT: Do not use spray cleaning solution, detergents or water onto the sensors or sensor openings.

Emptying the DustCompactor™ Bin and Cleaning the Filter

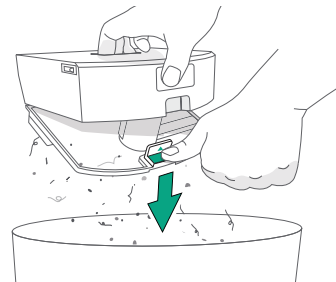
- 1** Press the DustCompactor™ bin release button to remove the bin.



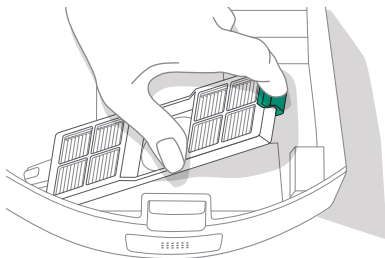
- 2** Make sure bin is upright, and over the trash, push the release tab to open the bin.



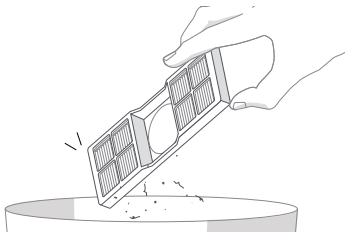
- 3** Empty contents into the trash.



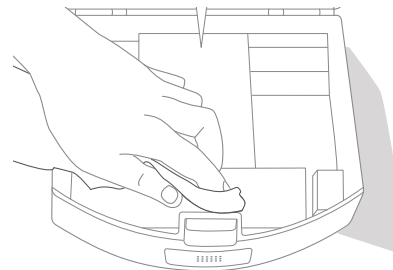
- 4** Remove the filter by pinching the tab and pulling the filter out.



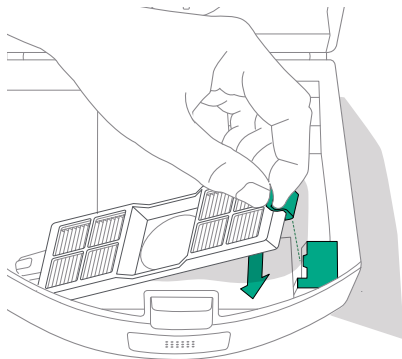
- 5** Remove debris by tapping the filter against your trash container.



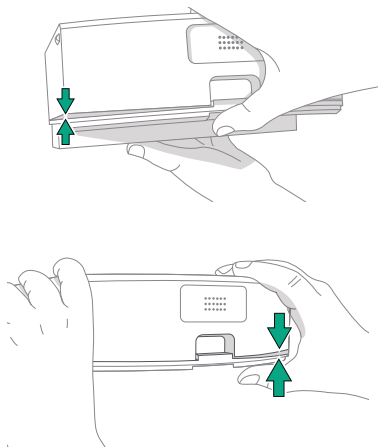
- 6** Wipe the Bin with clean cloth.



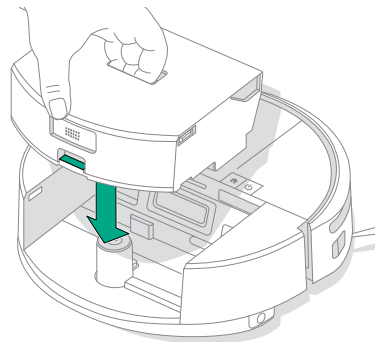
7 Reinsert filter.



8 Securely close bin by closing latch and ensuring all sides are sealed



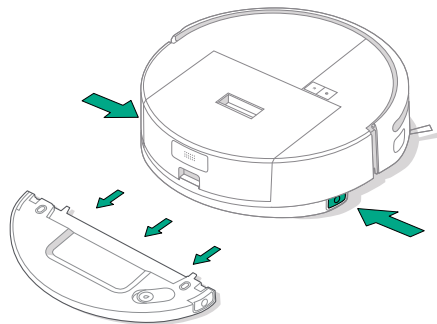
9 Place bin back in robot.




IMPORTANT: Squeeze all gaps that may exist around perimeter of lid. A proper seal on the bin is required for optimal operation.


Cleaning the water tank (Combo models only)

- 1 Simultaneously press and hold both the release buttons of the water tank, and then slide it out from the bottom of the vacuum-mop as illustrated.



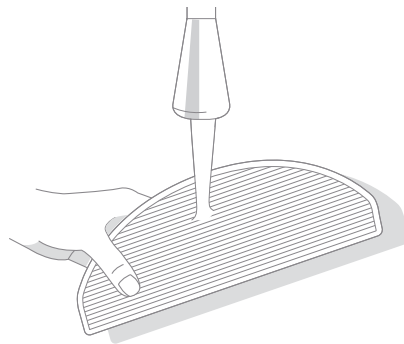
- 2 Empty old water, rinse with fresh water.
- 3 Dry exterior of the tank well before reinstalling into robot

 **NOTE:** If you use detergent to clean the tank, only use dish soap and be sure to rinse thoroughly before using in robot again. Soap can damage the robot during operation

 **NOTE:** After mopping, immediately remove the water tank, empty out any remaining water, and clean and dry the mop pad to prevent lingering odor and mildew.

Cleaning the mopping pad

Thoroughly hand wash the mopping pad with cold water and let it air dry.



Care and maintenance for your dock

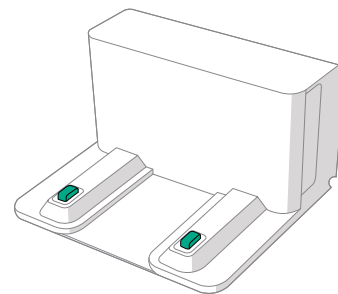
To keep your dock running at optimal performance, perform the procedures on the following pages.

Part	Care Frequency	Replacement Frequency*
Charging contacts	Clean once a month	-
IR window	Clean once a month	-

* Replacement frequency may vary. Parts should be replaced if visible wear appears. If you think you need a replacement part, please contact iRobot Customer Care for more information.

Cleaning the charging contacts and IR window

Inspect the components to make sure that they are clear of debris. Wipe with a clean, dry cloth.



IMPORTANT: Do not spray cleaning solution or water onto the sensors or sensor openings.




Troubleshooting

Troubleshooting your robot

Your robot will alert you if something is wrong with a voice announcement or audio alert. The Roomba® Home App will also provide notifications with steps to troubleshoot any issues.

If you are unsure if the robot is finished or paused, consult the Roomba® Home app to check on its status.



Factory Reset

To factory reset press  for 5 seconds and then (within 5 seconds) press  +  for 5 seconds.

BATTERY SAFETY & SHIPPING



WARNING: Lithium ion batteries and products that contain lithium ion batteries are subject to stringent transportation regulations. If you need to ship this product for service, travel or any other reason, you **MUST** follow the below shipping instructions.

- Battery **MUST** be turned off before shipping.
- Turn off the battery by removing the robot from the dock and holding down the  button for 10 seconds. Press the bumper in for 10 seconds while holding the  button. All indicators will then turn off.
- Package the robot securely for shipping.

If you need further assistance, please visit your Roomba® Home app, contact our Customer Care team or visit global.irobot.com.

Troubleshooting your dock

If the dock is not performing as expected, check the Roomba® Home app for errors.



Need further assistance? We're here to help.

Download the Roomba® Home App or visit global.irobot.com for product support or to contact your local support center. If you need further assistance in the US & Canada, call the US Customer Care team at (877) 855-8593.

iRobot USA Customer Care Hours

Monday to Friday, 9AM — 9PM Eastern Time
Saturday and Sunday 9AM — 6PM Eastern Time

Safety Information

Please see the safety guide that came with your robot, or visit global.irobot.com



WC# 4851446 vA



iRobot

©2025 iRobot Corporation, 8 Crosby Drive, Bedford, MA 01730 USA. All rights reserved.
iRobot, Roomba, DustCompactor and Roomba Combo are registered trademarks of iRobot Corporation. Wi-Fi and the Wi-Fi logo are registered trademarks of Wi-Fi Alliance. Apple and App Store are trademarks of Apple Inc., registered in the U.S. and other countries. Google Play is a trademark of Google LLC.