

MANUALE D'USO

FORNI A MICROONDE

IT

INSTRUCTION MANUAL

MICROWAVE OVENS

EN

MANUEL D'UTILISATION

FOURS A MICRO-ONDES

FR

GEBRAUCHSANWEISUNG

MIKROWELLENHERD

DE

GEBRUIKSAANWIJZING

MAGNETRON OVEN

NL

MANUAL DE USO

HORNOS MICROONDAS

ES

MANUAL DE UTILIZAÇÃO

FORNOS MICROONDAS

PT

РУКОВОДСТВО ПО ЭКСПЛУАТАЦИИ

МИКРОВОЛНОВАЯ ПЕЧЬ

RU

INSTRUKCJA UŻYTKOWNIKA

KUCHENKA MIKROFALOWA

PL

MOE34CX12



---

**ITALIANO**

---

Gentile Cliente, desideriamo ringraziarla per la fiducia accordataci.

Scegliendo un nostro prodotto, Lei ha optato per soluzioni in cui la ricerca estetica, abbinata ad una progettazione tecnica innovativa, offre oggetti unici che diventano elementi d'arredo.

Augurandole di apprezzare appieno le funzionalità del Suo elettrodomestico, Le porgiamo i nostri più cordiali saluti.

---

**ENGLISH**

---

Dear customer, we would like to thank you for your confidence in us.

By choosing one of our products, you have opted for solutions where research for beauty meets innovative technical design to provide unique objects which become pieces of furniture.

We hope you get the most out of your household appliance.

Kindest regards.

---

**FRANÇAIS**

---

Cher Client, nous souhaitons vous remercier pour la confiance que vous nous accordez.

En choisissant l'un de nos produits, vous avez opté pour des solutions dont la recherche esthétique, associée à une conception technique innovante, offre des objets uniques qui deviennent des éléments de décoration. Tout en vous souhaitant d'apprécier pleinement les fonctions de votre appareil électroménager, nous vous présentons nos salutations les plus cordiales.

---

**DEUTSCH**

---

Sehr geehrter Kunde, wir danken Ihnen für Ihr Vertrauen.

Mit der Wahl eines unserer Produkte haben Sie sich für Lösungen entschieden, deren Ästhetik und innovativer technischer Entwurf Einrichtungsgegenstände von besonderem Design schaffen.

In der Hoffnung, dass Sie die Funktionen Ihres Haushaltsgerätes voll und ganz genießen und schätzen werden, verbleiben wir mit freundlichen Grüßen.

---

**NEDERLANDS**

---

Geachte klant, we danken u hartelijk voor het in ons gestelde vertrouwen.

Door voor een van onze producten te kiezen hebt u gekozen voor oplossingen met een esthetiek en innovatief technisch ontwerp die resulteren in unieke voorwerpen die een onderdeel van uw meubilair zullen worden.

We hopen dat u de functionaliteiten van uw huishoudtoestel ten volle zal waarderen.

Met hoogachting

---

**ESPAÑOL**

---

Estimado Cliente, deseamos darle las gracias por la confianza que ha depositado en nosotros.

Al elegir uno de nuestros productos, usted ha optado por soluciones en que la búsqueda estética, combinada con una proyectación técnica innovadora, ofrece objetos únicos que se convierten en elementos de decoración.

Deseándole que pueda apreciar plenamente las funcionalidades de su electrodoméstico, le enviamos nuestros saludos más cordiales.

---

**PORTUGUÊS**

---

Caro Cliente, queremos agradecer-lhe pela confiança que em nós deposita.

Ao escolher um produto nosso, optou por soluções em que a procura estética, combinada com uma concepção técnica inovadora, oferece objetos únicos que se transformam em elementos de decoração. Desejando-lhe que desfrute totalmente das funcionalidades do seu eletrodoméstico, enviamos-lhe os nossos mais sinceros cumprimentos.

---

**РУССКИЙ**

---

Уважаемый клиент! Благодарим вас за оказанное нам доверие.

Приобретенная вами продукция нашей марки предоставляет решения, в которых изысканная эстетика в сочетании с инновационным техническим дизайном воплощена в уникальные изделия, идеально сочетающиеся с элементами интерьера.

Надеемся, что вы в полной мере оцените разнообразные функции вашего электроприбора. Выражаем вам наше глубокое уважение.

---

**POLSKI**

---

Szanowni Klienci, dziękujemy za okazane nam zaufanie.

Wybierając jeden z naszych produktów, wybrali Państwo rozwiązanie, które łącząc walory estetyczne z innowacyjnym wzornictwem technicznym, oferuje unikatowe przedmioty wyposażenia wnętrz.

Mamy nadzieję, że będą Państwo mogli w pełni korzystać z funkcjonalności tego urządzenia.

Serdecznie pozdrawiamy.

# Contents

<b>1 Instructions</b>	<b>26</b>
1.1 General safety instructions	26
1.2 Instructions for using microwaves	27
1.3 To Reduce the Risk of Injury to Persons Grounding Installation	29
1.4 Manufacturer liability	29
1.5 Appliance purpose	30
1.6 Identification plate	30
1.7 Disposal	30
1.8 This user manual	31
1.9 How to read the user manual	31
<b>2 Description</b>	<b>32</b>
2.1 Names of Oven Parts and Accessories	32
2.2 Specifications	33
<b>3 Use</b>	<b>34</b>
3.1 Turntable Installation	34
3.2 Utensils	34
3.3 Materials you can use in microwave oven	35
3.4 Materials to be avoided in microwave oven	36
3.5 Operation Instructions	36
<b>4 Cleaning and maintenance</b>	<b>44</b>
4.1 Instructions	44
<b>5 Installation</b>	<b>45</b>
5.1 Countertop Installation	45

We advise you to read this manual carefully, which contains all the instructions for maintaining the appliance's aesthetic and functional qualities.

For further information on the product: [www.smeg.com](http://www.smeg.com)



## 1 Instructions

### IMPORTANT SAFETY INSTRUCTIONS

PLEASE READ CAREFULLY AND RETAIN FOR FUTURE USE.

#### 1.1 General safety instructions

##### Risk of personal injury

- **WARNING:** If the door or the door seal is damaged, the oven must not be used until it has been repaired by a competent person.
- **WARNING:** It is hazardous for anyone other than a competent person to carry out any service or repair operation which involves the removal of a cover which offers protection against exposure to microwave energy.
- **WARNING:** Liquids and other foods must not be heated in sealed containers since they are liable to explode.
- **WARNING:** During use the appliance and its accessible parts become very hot.
- Never touch the heating elements during use.
- Keep children under eight years of age at a safe distance if they are not constantly supervised.
- This appliance may be used by children aged at least 8 and by people of reduced physical and mental capacity, or lacking in experience in the use of electrical appliances, as long they are supervised or instructed by adults who are responsible for their safety.
- Children must never play with the appliance.
- The appliance must never be cleaned by unsupervised children.
- Switch off the appliance immediately after use.
- If smoke is emitted, switch off or unplug the appliance and keep the door closed in order to stifle any flames.
- Never attempt to extinguish a flame or fire with water.
- Have qualified personnel carry out installation and assistance interventions according to the standards in force.
- Do not modify this appliance.
- Do not insert pointed metal objects (cutlery or utensils) into the slots in the appliance.
- Do not try to repair the appliance yourself or without the intervention of a qualified technician.
- If the power supply cable is damaged, contact technical support immediately and they will replace it.



## Risk of damaging the appliance

- Do not use abrasive or corrosive detergents on glass parts (e.g. powder products, stain removers and metallic sponges).
- Use wooden or plastic utensils.
- Do not use a steam jet to clean the appliance.
- Do not obstruct ventilation openings and heat dispersal slots.
- Never leave the appliance unattended during cooking operations where fats or oils could be released.
- Do not use the appliance to heat rooms for any reason.
- Do not rest any weight or sit on the open door of the appliance.
- Take care that no objects are stuck in the doors.

## 1.2 Instructions for using microwaves

- Check the appliance visually during the cooking of foods in plastic or paper containers.
- Use the microwave only for the preparation of food for consumption. Other types of applications are strictly forbidden (e.g. drying clothes, warming slippers, sponges, wet cloths or the like, dehydrating foods) because they can lead to the risk of injury or fire.
- Clean the appliance constantly and remove any food residue.
- Do not use the microwave to dry food.
- Do not use the microwave to heat oils or fry.
- Do not use the appliance to heat foods or beverages containing alcohol.
- Baby food should not be heated in sealed containers. Remove the cover or the teat (in the case of baby bottles). Always check the preparation's temperature once heating has completed, it should not be too high. For an even temperature and to avoid scalding stir or shake the contents.
- Do not heat eggs in their shells or whole hard boiled eggs; they may explode even after the



## Instructions

heating process has completed.

- Before cooking food with a hard skin or peel (e.g. potatoes, apples, etc.) it is necessary to puncture the skin.
- Do not heat food contained within food packages.
- Do not use the microwave functions when the oven is empty.
- Use cookware and utensils that are suitable for use in a microwave oven.
- Do not use aluminium containers to cook food.
- Do not use dishes with metallic decorations (gold-plated or silver).
- The appliance operates in the 2.4GHz ISM band.
- In compliance with the provisions relating to electromagnetic compatibility the appliance belongs to group 2 and class B (EN 55011).

The instructions for use for fixed appliances and built-in appliances being used equal or higher than 900 mm above the floor and having detachable turntables shall state that care should be taken not to displace the turntable when removing containers from the appliance. This is not applicable for appliances with horizontal bottom hinged door.

This appliance complies with the standards and directives currently in force concerning safety and electromagnetic compatibility. It is however recommended for pacemaker wearers to maintain a minimum distance of 20-30 cm between the microwave when it is operating and the pacemaker. Consult the pacemaker manufacturer for more information.



## 1.3 To Reduce the Risk of Injury to Persons Grounding Installation



### Power voltage Danger of electrocution

- Electric Shock Hazard Touching some of the internal components can cause serious personal injury or death. Do not disassemble this appliance.
- Electric Shock Hazard
- Improper use of the grounding can result in electric shock.
- Do not plug into an outlet until appliance is properly installed and grounded.
- This appliance must be grounded. In the event of an electrical short circuit, grounding reduces the risk of electric shock by providing an escape wire for the electric current.
- This appliance is equipped with a cord having a grounding wire with a grounding plug. The plug must be plugged into an outlet that is properly installed and grounded.
- Consult a qualified electrician or serviceman if the grounding instructions are not completely understood or if doubt exists as to whether the appliance is properly grounded.
- If it is necessary to use an extension cord, use only a 3-wire extension cord.

set or extension cord should be at least as great as the electrical rating of the appliance.

- The extension cord must be a grounding-type 3-wire cord.
- The long cord should be arranged so that it will not drape over the counter top or tabletop where it can be pulled on by children or tripped over unintentionally.

## 1.4 Manufacturer liability

The manufacturer declines all liability for damage to persons or property caused by:

- Use of the appliance other than the one envisaged;
- Non-observance of the user manual provisions;
- Tampering with any part of the appliance;
- Use of non-original spare parts.

1. A short power-supply cord is provided to reduce the risks resulting from becoming entangled in or tripping over a longer cord.
2. If a long cord set or extension cord is used:
  - The marked electrical rating of the cord



# Instructions

## 1.5 Appliance purpose

- This appliance is intended for cooking food in the home environment. Every other use is considered inappropriate. It cannot be used:
  - in employee kitchens, shops, offices and other working environments.
  - in farms/agritourism establishments.
  - by guests in hotels, motels and residential environments.
  - in bed and breakfast establishments.
- The appliance is not designed to operate with external timers or with remote-control systems.

## 1.6 Identification plate

- The identification plate bears the technical data, serial number and brand name of the appliance. Do not remove the identification plate for any reason.

## 1.7 Disposal



This appliance must be disposed of separately from other waste (Directives 2002/95/EC, 2002/96/EC, 2003/108/EC). The appliance does not contain substances in quantities sufficient to be considered hazardous to health and the environment, in accordance with current European directives.



### Power voltage

### Danger of electrocution

- Disconnect the main power supply.
- Disconnect the power cable from the electrical system.

To dispose of the appliance:

- Cut the power supply cable and remove it along with the plug (if present).
- Deliver the appliance to the appropriate recycling centre for electrical and electronic equipment waste, or return it to the retailer when purchasing an equivalent product, on a one for one basis.

Our appliances are packed in non-polluting and recyclable materials.

- Deliver the packing materials to the appropriate recycling centre.



### Plastic packaging

### Danger of suffocation

- Do not leave the packaging or any part of it unattended.
- Do not let children play with the packaging plastic bags.



## 1.8 This user manual

This user manual is an integral part of the appliance and must therefore be kept in its entirety and within the user's reach for the whole working life of the appliance.

- Read this user manual carefully before using the appliance.

## 1.9 How to read the user manual

This user manual uses the following reading conventions:

### Instructions



General information on this user manual, on safety and final disposal.

### Description



Description of the appliance and its accessories.

### Use



Information on the use of the appliance and its accessories, cooking advice.

### Cleaning and maintenance



Information for proper cleaning and maintenance of the appliance.

### Installation



Information for the qualified technician: Installation, operation and inspection.



Safety instructions



Information



Advice

1. Use instruction sequence.

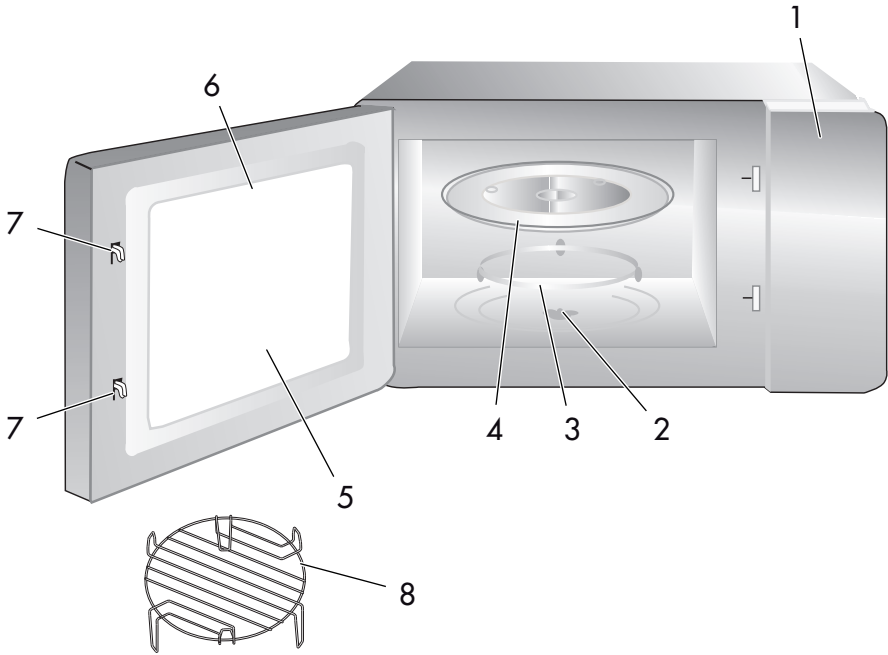
- Single use instruction.



# Description

## 2 Description

### 2.1 Names of Oven Parts and Accessories



1 Control panel

2 Turntable shaft

3 Turntable ring assembly

4 Glass tray

5 Observation window

6 Door assembly

7 Safety interlock system

8 Grill Rack (Only for Grill series)



## 2.2 Specifications

<b>Model:</b>	<b>MOE34CXI2</b>
<b>Rated Voltage:</b>	230V~50 Hz
<b>Rated Input Power (Microwave):</b>	1800 W
<b>Rated Output Power (Microwave):</b>	1100 W
<b>Rated Input Power (Grill):</b>	1100 W
<b>Rated Input Power (Convection):</b>	2500 W
<b>Oven Capacity:</b>	34 L
<b>Turntable Diameter:</b>	Ø 315 mm
<b>External Dimensions:</b>	519x507x315 mm
<b>Net Weight:</b>	Approx. 19,5 kg



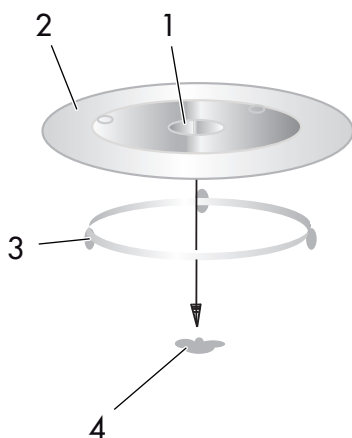
## 3 Use

Remove the oven and all materials from the carton and oven cavity.

Your oven comes with the following accessories:

- Glass tray.
- Turntable ring assembly.
- Instruction Manual.

### 3.1 Turntable Installation



1. Hub (underside)

2. Glass tray

3. Turntable shaft

4. Turntable ring assembly

- Never place the glass tray upside down. The glass tray should never be restricted.
- Both glass tray and turntable ring assembly must always be used during cooking.
- All food and containers of food are always placed on the glass tray for cooking.
- If glass tray or turntable ring assembly cracks or breaks, contact your nearest authorized service center.

### 3.2 Utensils



Caution

**Personal Injury Hazard**

It is hazardous for anyone other than a competent person to carry out any service or repair operation that involves the removal of a cover which gives protection against exposure to microwave energy.

See the instructions on "Materials you can use in microwave oven". There may be certain non-metallic utensils that are not safe to use for microwaving. If in doubt, you can test the utensil in question following the procedure below.

Utensil Test:

1. Fill a microwave-safe container with 1 cup of cold water (250 ml) along with the utensil in question.
2. Cook on maximum power for 1 minute.
3. Carefully feel the utensil. If the empty utensil is warm, do not use it for microwave cooking.
4. Do not exceed 1 minute cooking time.



### 3.3 Materials you can use in microwave oven

Utensils	Remarks
Browning dish	Follow manufacturer's instructions. The bottom of browning dish must be at least 3/16 inch (5mm) above the turntable. Incorrect usage may cause the turntable to break.
Dinnerware	Microwave-safe only. Follow manufacturer's instructions. Do not use cracked or chipped dishes.
Glass jars	Always remove lid. Use only to heat food until just warm. Most glass jars are not heat resistant and may break.
Glassware	Heat-resistant oven glassware only. Make sure there is no metallic trim. Do not use cracked or chipped dishes.
Oven cooking bags	Follow manufacturer's instructions. Do not close with metal tie. Make slits to allow steam to escape.
Paper plates and cups	Use for short-term cooking/warming only. Do not leave oven unattended while cooking.
Paper towels	Use to cover food for reheating and absorbing fat. Use with supervision for a short-term cooking only.
Parchment paper	Use as a cover to prevent splattering or a wrap for steaming.
Plastic	Microwave-safe only. Follow the manufacturer's instructions. Should be labeled "Microwave Safe". Some plastic containers soften, as the food inside gets hot. "Boiling bags" and tightly closed plastic bags should be slit, pierced or vented as directed by package.
Plastic wrap	Microwave-safe only. Use to cover food during cooking to retain moisture. Do not allow plastic wrap to touch food.
Thermometers	Microwave-safe only (meat and candy thermometers).
Wax paper	Use as a cover to prevent splattering and retain moisture.



## Use


### 3.4 Materials to be avoided in microwave oven



Utensils	Remarks
Aluminum tray	May cause arcing. Transfer food into microwave-safe dish
Food carton with metal handle	May cause arcing. Transfer food into microwave-safe dish.
Metal or metal- trimmed utensils	Metal shields the food from microwave energy. Metal trim may cause arcing.
Metal twist ties	May cause arcing and could cause a fire in the oven.
Paper bags	May cause a fire in the oven.
Plastic foam	Plastic foam may melt or contaminate the liquid inside when exposed to high temperature.
Wood	Wood will dry out when used in the microwave oven and may split or crack

### 3.5 Operation Instructions

This microwave oven uses modern electronic control to adjust cooking parameters to meet your needs better for cooking.

#### Clock Setting

When the microwave oven is electrified, the oven will display "0:00", " " will display.

1. Turn  to adjust the hour figures, the input time should be within 0-23 (24-hour).
2. Press **Start/+30Sec./Confirm**, the minute figures will flash.
3. Turn  to adjust the minute figures, the input time should be within 0-59.


4. Press **Start/+30Sec./Confirm** to finish clock setting. ":" will flash..



- 1) If the clock is not set, it would not function when powered.
- 2) During the process of clock setting, if you press **Stop/Clear**, the oven will go back to the previous status automatically.



## Microwave Cooking

1. Press **Microwave** key once, and "110" display.
2. Press **Microwave** again to select the microwave power. "330", "550", "880", "1100" will display in order.
3. Press **Start/+30Sec./Confirm**, to confirm.
4. Turn  to adjust the cooking time. (The time setting should be 0:05- 95:00.)

5. Press **Start/+30Sec./Confirm** to start cooking.



The step quantities for the adjustment time of the coding switch are as follow:


- 0-1 min: 5 seconds
- 1-5 min: 10 seconds
- 5-10 min: 30 seconds
- 10-30 min: 1 minute
- 30-95 min: 5 minutes

EN

Five power levels are available:

Level	Power	Display
1	100%	1100
2	80%	880
3	50%	550
4	30%	330
5	10%	110

## Grill Cooking

1. Press **Grill/Combi** key once, and "G-1" will display.
2. Press **Start/+30Sec./Confirm** to confirm.
3. Turn  to adjust the cooking time. (The time setting should be 0:05- 95:00.)
4. Press **Start/+30Sec./Confirm** to start cooking.




If half the grill time passes, the oven sounds twice to tell you to turn the food over. In order to have a better effect of grilling food, you should turn the food over, close the door, and then press

**Start/+30Sec./Confirm** to continue cooking.

If no operation, the oven will not wait and work automatically.



## Combination Cooking (Microwave+Convection)

1. Press **Grill/Combi** key once, and "G-1" will display.
2. Press **Grill/Combi** key again to select the combination way. Stop pressing when "C-1", "C-2", "C-3" and "C-4" displays.
3. Press **Start/+30Sec./Confirm** to confirm.
4. Turn  to adjust the cooking time. (The time setting should be 0:05-95:00.)
5. Press **Start/+30Sec./Confirm** to start cooking.

## Convection Cooking (With preheating function)

The convection cooking can let you to cook the food as a traditional oven. Microwave is not used. It is recommended that you should preheat the oven to the appropriate temperature before placing the food in the oven.


1. Press **Convection** key once, "150" °C flash.
2. Press **Convection** key again to select the convection function.



The temperature can be chosen from 150 degrees to 200 degrees

3. Press **Start/+30Sec./Confirm** to confirm the temperature.
4. Press **Start/+30Sec./Confirm** to start preheating. When the preheating temperature arrives, the buzzer will sound twice to remind you to put the

food into the oven. And the preheated temperature is displayed and flash.

5. Put the food into the oven and close the door. Turn  to adjust the cooking time. (The maximum setting time is 95 minutes.)
6. Press **Start/+30Sec./Confirm** key to start cooking.



- Cooking time cannot be input until the preheating temperature arrives. If the temperature arrives, door must be opened to input the cooking time.
- If the time not input in 5 minutes, the oven will stop preheating. The buzzer sound five times and turn back to waiting states.

## Convection Cooking (Without pre-heating function)

1. Press **Convection** key once, "150" °C flash.
2. Press **Convection** key again to select the convection function.



The temperature can be chosen from 150 degrees to 200 degrees

3. Press **Start/+30Sec./Confirm** to start cooking.






## Multi-Stage cooking

Two stages can be maximumly set. If one stages is defrosting, it should be put in the first stage. The buzzer will ring once after each stage and the next stage will begin.



Auto menu and preheating cannot be set as one of the multi-stage.

Example: if you want to defrost the food of 500g, then to cook with 80% microwave power for 7 minutes. The steps are as following:

1. Press **Defrost**, once, the screen will display "100" g.
2. Turn  to adjust the defrost weight of 500g.
3. Press **Microwave** once.
4. Turn  to choose 80% microwave power till "P80" display.
5. Press **Start/+30Sec./Confirm** to confirm.
6. Turn  to adjust the cooking time of 7 minutes.
7. Press **Start/+30Sec./Confirm** to start cooking.

## Speedy cooking


In waiting state, press

**Start/+30Sec./Confirm** key to cook with 100% power level for 30 seconds. Each press on the same key can increase 30 seconds. The maximum cooking time is 95 minutes.




This function cannot work under defrost and auto menu cooking.

## Defrost By Weight

1. Press **Defrost** pad once, the oven will display "100" g.
2. Turn  to select the weight of food. At the same time, "g" will lights. The weight should be 100-2000g.
3. Press **Start/+30Sec./Confirm** to start defrosting.




## Defrost By Time

1. Press **Defrost** key twice, the oven will display "0:00".
2. Turn  to select the cooking time. The maximum setting time is 95 minutes.
3. Press **Start/+30Sec./Confirm** to start defrosting.



# Use

## Auto Menu

1. Press **Auto menu**, "S-01" display,  will flash.
2. Press **Auto menu**, repeatedly, you could choose different function.
3. Turn  right to choose the menu, and "S-01", "S-02", "S-03"... will displayed.
4. Press **Start/+30Sec./Confirm** to confirm the menu you need.
5. Turn  to choose the weight of the menu, and "g" indicator will light.
6. Press **Start/+30Sec./Confirm** to start cooking.


## Specification


- The buzzer will sound once when turning the knob at the beginning;
- **Start/+30Sec./Confirm** must be pressed to continue cooking if the door is opened during cooking;
- Once the cooking programme has been set, **Start/+30Sec./Confirm** is not pressed in 5 minutes. The current time will be displayed. The setting will be cancelled.
- The buzzer sounds once by efficient press, inefficient press will be no response.
- The buzzer will sound three times to remind you when cooking is finished.

## Inquiring Function

In cooking state, press " **Microwave** ", " **Grill/Combi.** " or " **Convection** " the current power will be displayed for 2-3 seconds.

## Lock-out Function for Children

Lock: In waiting state, press **Stop/Clear** for 3 seconds, there will be a long "beep" denoting entering into the children-lock state and  indicator will light. LED will display current time or 0:00.

Lock quitting: In locked state, press **Stop/Clear** for 3 seconds, there will be a long "beep" denoting that the lock is released, and  indicator will disappear.



## Auto menu Chart

Category	Menu	Weight	Display	Power
MELT	Butter (S-01)	50g	50g	P5
		100g	100g	
		150g	150g	
	Chocolate (S-01)	50g	50g	P8
		100g	100g	
		150g	150g	
	Cheese (S-01)	50g	50g	P5
		100g	100g	
		150g	150g	
SOFT	Butter (S-01)	50g	50g	P2
		100g	100g	
		150g	150g	
	Ice cream (S-02)	250g	250g	P5
		500g	500g	
DEFROST	Meat (S-01)	/	/	/
	Poultry (S-02)	/	/	
	Fish (S-03)	/	/	
SPEED GRILL	Pork (S-01)	600g	600g	P5+G
		800g	800g	
		1000g	1000g	
	Beef (S-02)	600g	600g	P4+G
		800g	800g	
		1000g	1000g	
	Chicken (S-03)	600g	600g	P5+G
		800g	800g	
		1000g	1000g	



# Use

Category	Menu	Weight	Display	Power
STEW	Chicken	/	/	P10/P5
	(S-01)			
	Curry	/	/	
	(S-02)			
KEEP WARM	Keep warm (S-01)	/	/	P1
CAKE	Cake (S-01)	475g	475g	Preheat 160 degrees
VEGETABLE	Vegetable (S-01)	200g	200g	P10
		300g	300g	
		400g	400g	
PIZZA	Pizza (S-01)	200g	200g	200 degrees
		400g	400g	
OTHERS MORE	Bevetage (S-01)	1 cup	1	P10
		2 cups	2	
		3 cups	3	
	Potato (S-02)	200g	200g	P10
		400g	400g	
		600g	600g	
	Meat (S-03)	250g	250g	P10
		350g	350g	
		450g	450g	
	Fish (S-04)	250g	250g	P8
		350g	350g	
		450g	450g	
	Pasta (S-05)	50g	50g	P8
		100g	100g	
		150g	150g	
Popcorn (S-06)	50g	50g	P10	
	100g	100g		



## Troubleshooting

Normal	
Microwave oven interfering TV reception	Radio and TV reception may be interfered when microwave oven operating. It is similar the interference of small electrical appliances, like mixer, vacuum cleaner, and electric fan. It is normal
Dim oven light	In low power microwave cooking, oven light may become dim. It is normal.
Steam accumulating on door, hot air out of vents	In cooking, steam may come out of food. Most will get out from vents. But some may accumulate on cool place like oven door. It is normal.
Oven started accidentally with no food in.	It is forbidden to run the unit without any food inside. It is very dangerous.

Trouble	Possible Cause	Remedy
Oven can not be started.	(1) Power cord not plugged in tightly	Unplug. Then plug again after 10 seconds
	(2) Fuse blowing or circuit breaker works.	Replace fuse or reset circuit breaker (repaired by professional personnel of our company)
	(3) Trouble with outlet	Test outlet with other electrical appliances.
Oven does not heat.	(4) Door not closed well	Close door well.



## 4 Cleaning and maintenance

### 4.1 Instructions

Be sure to unplug the appliance from the power supply.

1. Clean the cavity of the oven after using with a slightly damp cloth.
2. Clean the accessories in the usual way in soapy water.
3. The door frame and seal and neighbouring parts must be cleaned carefully with a damp cloth when they are dirty.
4. Do not use harsh abrasive cleaners or sharp metal scrapers to clean the oven door glass since they can scratch the surface, which may result in shattering of the glass.
5. Cleaning Tip---For easier cleaning of the cavity walls that the food cooked can touch: Place half a lemon in a bowl, add 300ml (1/2 pint) water and heat on 100% microwave power for 10 minutes. Wipe the oven clean using a soft, dry cloth.



## 5 Installation

### 5.1 Countertop Installation

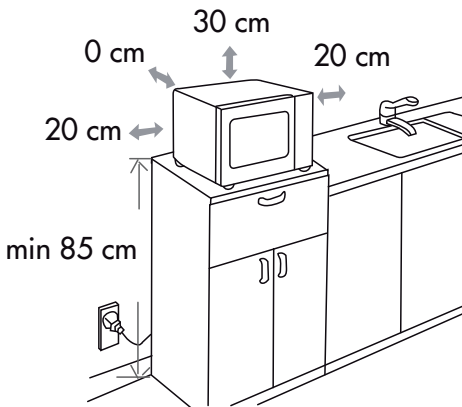
Remove all packing material and accessories.

Examine the oven for any damage such as dents or broken door. Do not install if oven is damaged.

Cabinet: Remove any protective film found on the microwave oven cabinet surface.

Do not remove the light brown Mica cover that is attached to the oven cavity to protect the magnetron.

1. Select a level surface that provide enough open space for the intake and/or outlet vents.



- The minimum installation height is 85cm.
- The rear surface of appliance shall be placed against a wall. Leave a minimum clearance of 30cm above the oven, a minimum clearance of 20cm is required between the oven and any adjacent walls.
- Do not remove the legs from the bottom of the oven.

- Place the oven as far away from radios and TV as possible. Operation of microwave oven may cause interference to your radio or TV reception.
2. Plug your oven into a standard household outlet. Be sure the voltage and the frequency is the same as the voltage and the frequency on the rating label.

**WARNING:** Do not install oven over a range cooktop or other heat-producing appliance. If installed near or over a heat source, the oven could be damaged and the warranty would be void.



**High temperatures inside the oven after use**

**Danger of burns**

- The accessible surface may be hot during operation.

Il costruttore si riserva di apportare senza preavviso tutte le modifiche che riterrà utili al miglioramento dei propri prodotti. Le illustrazioni e le descrizioni contenute in questo manuale non sono quindi impegnative ed hanno solo valore indicativo.

The manufacturer reserves the right to make any changes deemed useful for improvement of its products without prior notice. The illustrations and descriptions contained in this manual are therefore not binding and are merely indicative.

Le fabricant se réserve la faculté d'apporter, sans préavis, toutes les modifications qu'il jugera utiles pour l'amélioration de ses produits. Les illustrations et les descriptions figurant dans ce manuel ne sont pas contraignantes et n'ont qu'une valeur indicative.

Der Hersteller behält sich vor, ohne vorherige Benachrichtigung alle Änderungen vorzunehmen, die er zur Verbesserung seiner Produkte für nützlich erachtet. Die in diesem Handbuch enthaltenen Illustrationen und Beschreibungen sind daher unverbindlich und dienen nur zur Veranschaulichung.

De fabrikant behoudt zich het recht voor zonder waarschuwing alle wijzigingen aan te brengen die hij nodig acht om zijn producten te verbeteren. De afbeeldingen en de beschrijvingen die aanwezig zijn in deze handleiding zijn niet bindend, en hebben enkel een aanduidende waarde.

El fabricante se reserva el derecho a aportar sin aviso previo todas las modificaciones que considere útiles para la mejora de sus propios productos. Las ilustraciones y las descripciones contenidas en este manual no comprometen, por tanto, al fabricante y tienen un valor meramente indicativo.

O fabricante reserva-se o direito de efetuar, sem aviso prévio, qualquer modificação que vise o melhoramento dos respetivos produtos. As ilustrações e descrições contidas neste manual, não são, por isso, vinculativas e possuem apenas valor indicativo.

Производитель оставляет за собой право вносить без предупреждения все изменения, которые посчитает полезными для улучшения собственной продукции. Рисунки и описания, содержащиеся в данном Руководстве по эксплуатации, не имеют обязательств и имеют ознакомительный характер.

Producent zastrzega sobie prawo do nanoszenia, bez uprzedniego powiadomienia, wszelkich zmian, które uzna za stosowne w celu ulepszenia swoich produktów. Rysunki i opisy zawarte w niniejszej instrukcji nie są zobowiązujące i mają charakter przykładowy.

**SMEG S.p.A.**

Via Leonardo Da Vinci, 4  
42016 San Girolamo di  
Guastalla (RE)  
ITALY

[www.smeg.com](http://www.smeg.com)