

# Amana®

ADB-2

## Dishwasher Use & Care Guide



**Safety** ..... 1



**What Can and Cannot Be Washed** ..... 2



**Operating Tips**..... 3



**Loading** ..... 4-5



**Dishwasher Use** ..... 6



**Cycles, Options and Lights** ..... 7-10



**Care and Cleaning**..... 11



**Troubleshooting** ..... 12-14



**Warranty and Service** ..... 15

**Guide d'utilisation et d'entretien**..... 16

**Guía de Uso y Cuidado** ..... 32



**Installer:** Please leave this manual with this appliance.

**Consumer:** Please read and keep this manual for future reference. Keep sales receipt and/or cancelled check as proof of purchase.

Model Number \_\_\_\_\_

Serial Number \_\_\_\_\_

Date of Purchase \_\_\_\_\_

If you have questions, call:

1-800-688-9900 USA and 1-800-688-2002 CANADA

1-800-688-2080 (U.S. TTY for hearing or speech impaired) (Mon.-Fri., 8 am-8 pm Eastern Time)

Internet: <http://www.amana.com>

In our continuing effort to improve the quality and performance of our appliances, it may be necessary to make changes to the appliance without revising this guide.

**For service information, see page 15.**



## Safety

### What You Need to Know About Safety Instructions

Warning and Important Safety Instructions appearing in this manual are not meant to cover all possible conditions and situations that may occur. Common sense, caution and care must be exercised when installing, maintaining or operating the dishwasher.

Always contact your manufacturer about problems or conditions you do not understand.

### Recognize Safety Symbols, Words, Labels

#### WARNING

**WARNING** – Hazards or unsafe practices which **COULD** result in severe personal injury or death.


#### CAUTION

**CAUTION** – Hazards or unsafe practices which **COULD** result in minor personal injury or property damage.

### Important Safety Instructions

#### WARNING

**Check with the installer to make sure the appliance has been properly grounded to avoid possible electrical shock. Be sure you read the important personal safety instructions before you use this dishwasher.**

Products with a  label have been listed with Underwriter's Laboratories, Inc. – those with a CSA tag have been listed with Canadian Standards Association. Nevertheless, as with any other equipment using electricity and moving parts, there is a potential hazard.

#### WARNING

**When using your dishwasher, follow basic precautions, including the following:**

1. Read all instructions before using the dishwasher.
2. Use the dishwasher only for its intended function.
3. Disconnect electrical power to dishwasher before attempting to service.
4. To avoid electrical shock hazard, the sides and back must be enclosed and the front panels must be attached before electrical power is applied to the dishwasher. Refer to the installation instructions for proper grounding procedures.
5. Connect to a properly rated, protected and sized power supply circuit to avoid electrical overload.
6. Children should never be permitted to operate, or play in, with, or around this dishwasher.
7. To reduce the risk of injury when loading items to be washed, sharp or pointed items should be located with the handles up. Also, load sharp items so they are not likely to damage the door seal.
8. Do not touch the heating element on the bottom of the tub during or at the completion of a cycle. It will be hot.
9. Use only detergents and rinse additives designed for a residential automatic dishwasher. Never use soap, laundry detergent, or hand washing detergent in your dishwasher. Keep these products out of reach of children.
10. Do not sit, stand on or abuse the door or dish racks of the dishwasher.
11. Under certain conditions, hydrogen gas may be produced in a hot water system that has not been used for two weeks or more. **Hydrogen gas is explosive.** If the hot water system has not been used for such a period, turn on all hot water faucets and let the water flow from each for several minutes. This will release any accumulated hydrogen gas. As the gas is flammable, do not smoke or use an open flame during this process.
12. Do not wash plastic items unless marked "dishwasher safe" or the equivalent. For plastic items not so marked, check the manufacturer's recommendations.
13. Do not tamper with controls.
14. To prevent accidental child entrapment and suffocation risks, always remove the door to the washing compartment when removing an old dishwasher from service or discarding it.
15. Use caution when unloading the dishwasher. Dishes will be hot if unloaded shortly after a cycle has completed.
16. Certified residential dishwashers are not intended for licensed food establishments.
17. To avoid water, mold or mildew damage to your home, inlet and drain hose connections should be checked periodically for leaks.

**Save These Instructions  
for Future Reference**



# What Can and Cannot Be Washed

Most tableware, cookware and flatware can safely be washed in your dishwasher. Check with the manufacturer.

MATERIAL	DISHWASHER SAFE?	SPECIAL INFORMATION
<b>Aluminum</b>	Yes, except anodized.	High water temperature and detergents may affect finish.
<b>Cast Iron</b>	No	Seasoning will be removed, and iron will rust.
<b>China/Stoneware</b>	Yes, except antique or hand-painted.	Always check manufacturer's recommendation before washing. Antique, hand-painted or over-the-glaze patterns may fade. Gold leaf may discolor.
<b>Crystal</b>	Yes, except antique or delicate crystal.	Always check manufacturer's recommendation before washing. Some types of leaded crystal may etch with repeated washings.
<b>Filters</b>	Not recommended.	May leave a dingy deposit or stain on dishwasher interior.
<b>Glass</b>	Yes	A specialty glass called milk glass can yellow with repeated dishwasher washing.
<b>Gold-Plated Flatware</b>	No	Will discolor.
<b>Pewter, Tin</b>	No	
<b>Plastics</b>	Yes, top rack, except disposable plastic items.	Always check manufacturer's recommendation before washing. Plastics vary in their capacity to withstand high water temperatures and detergents. Disposable plastic items are not dishwasher safe for this reason.
<b>Stainless Steel</b>	Yes	Run a Rinse Only cycle (select models) if not washing immediately. Prolonged contact with foods containing salt, vinegar, milk products or juice could damage finish.
<b>Sterling Silver or Silverplate</b>	No, if has commercial "darkening".	Always check manufacturer's recommendation before washing. Run a Rinse Only cycle (select models) if not washing immediately. Prolonged contact with food containing salt, acid or sulfide (eggs, mayonnaise and seafood) could damage finish. Commercial "darkening" may be removed by detergent.
<b>Wooden Items</b>	No	Wood may warp, crack or discolor.



# Operating Tips

## Before You Start

- **Don't prerinse. Simply scrape off any bones or large food particles.**
- If connected to a food waste disposer, **make certain the disposer is empty before starting the dishwasher.**
- **Scrape off tomato-based food soils** (see page 11).
- **Remove certain foods** such as mustard, mayonnaise, lemon juice, vinegar, salt or dressings **from stainless steel flatware as soon as possible.** These foods may cause rusting and pitting if allowed to remain in contact with the surface for an extended period of time.

## Starting the Dishwasher

1. After loading the dishwasher and adding detergent, select the desired cycle and options by pressing the pads. The indicator lights for the selected cycle and options will illuminate. To cancel an option press the pad again.
2. To start a cycle, close the door until it latches then press the **START/Cancel** pad once. After a pause, the fill will begin. The display countdown (select models) will flash until **START/Cancel** is pressed.

### Note

- If **START/Cancel** is not pressed within 30 seconds of choosing your cycle, the dishwasher will turn off.

The dishwasher remembers your last cycle so you do not have to reset the cycle each time. To start the dishwasher using the same cycle and options selected on the previous wash, just press the **START/Cancel** pad.

3. To cancel a running cycle, press the **START/Cancel** pad once. The dishwasher will drain, then shut off. To turn the dishwasher off without draining, press the **START/Cancel** pad twice. To prevent unplanned cycle or option changes, these selections are "locked in" after 1 minute.

### Note

- If a cycle pad is pressed after the controls have been "locked in", the light above the current cycle will flash three times.

## Adding a Forgotten Item

For best cleaning, the forgotten item should be added early in the cycle.

1. Grasp door handle and unlatch door without opening completely. All lights will flash to indicate that the cycle is suspended.
2. Wait for the water circulation to stop.
3. Open the door and add the item.
4. Close and latch the door. Lights will stop flashing when the door is properly shut. After a slight delay, the cycle resumes automatically at the point of interruption.

### Notes

- If the door is opened during a running cycle, there may be up to a 30 second delay before the dishwasher restarts after closing the door.
- Extended interruption of the wash cycle is not recommended.



# Loading

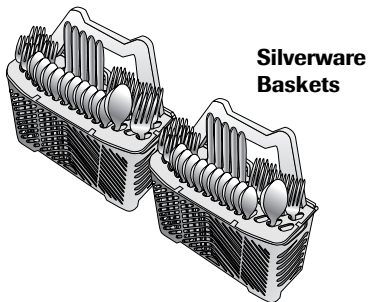
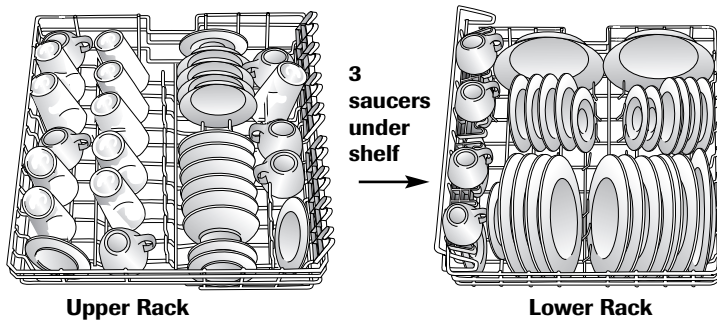
## General Recommendations

(Rack features vary by model)

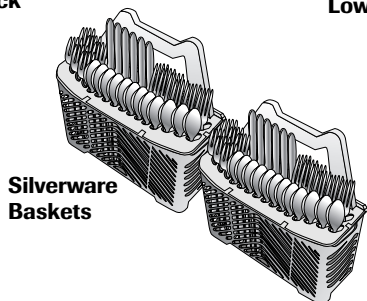
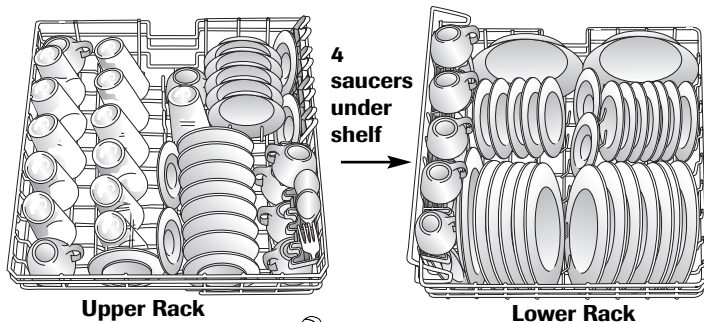
- Items can be centered behind a single tine or loaded at an angle to maximize space.
- Avoid blocking or preventing the spray arms from spinning freely. Do not allow items to extend beyond the racks.
- Face soiled surfaces toward the center of the dishwasher.

For best dishwashing results follow these guidelines to determine the best arrangement for your items.

## 10 Place Setting Load



## 12 Place Setting Load

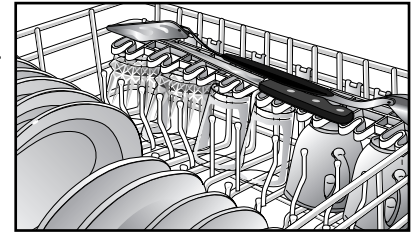


## Upper Rack

Glasses, cups, stemware, light-weight plastics, plates, bowls, pans, long-handled utensils etc. can be loaded in this rack. **Do not load glasses over the tines.**

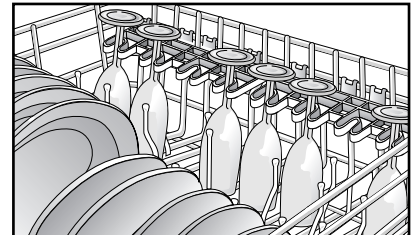
The Stack-Rack (select models) on the right side of the upper rack folds up or down for loading flexibility.

Fold it down to hold long-handled knives, spatulas and spoons or short items like cups or juice glasses. Fold it up for taller items like glasses, bowls, plates, etc.



The edge of the Stack-Rack (select models) is designed to hold stemware in place.

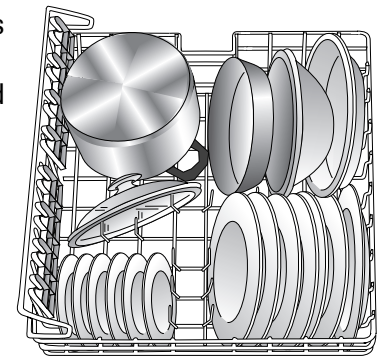
Taller stemware will fit better on the right side as the upper rack is deeper on this side.



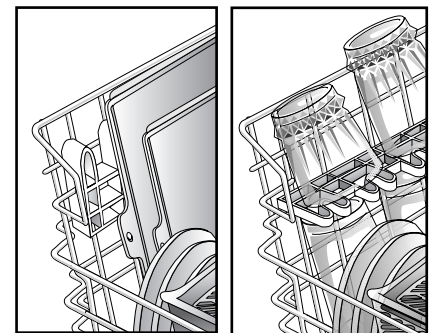
## Lower Rack

A variety of items such as dinner plates, mixing bowls, pots and pans and baking dishes can be loaded in this rack.

Tall items such as bakeware and large platters can be placed on the left side.



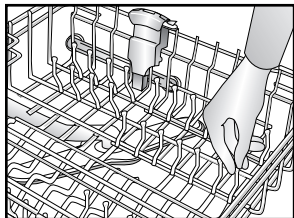
With the Stack-Rack (select models) shelf raised, thin items like cookie sheets or pizza pans may be placed along the left side. With the shelf down, two levels of glasses and cups can be loaded.





# Loading

The Folding Tines (select models) located in the front right corner provide convenient loading space for large, bulky items like pots and pans or mixing bowls.

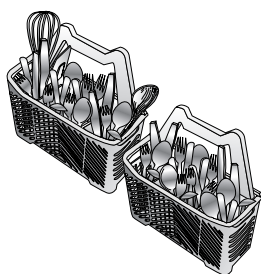


To lower tines, carefully push the tines out of each holder toward the center of the rack and lay the tines down.

## Utensil Baskets

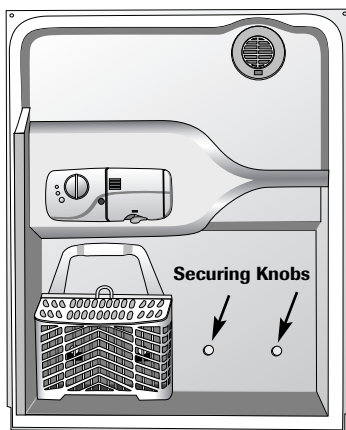
### Removable Door Utensil Baskets

For best cleaning results, prevent items from nesting together by placing some items in the basket with handles up and some with handles down. Load knives handles up and spoons and forks handles down.



### To remove the basket(s) from the door:

1. Grasp the utensil basket by the handle. Slide it toward the top of the door.
2. Lift the basket off the securing knobs.

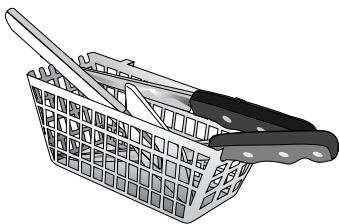


### To replace the basket(s) in the door:

1. Align the slots on the backside of the utensil basket with knobs on the door.
2. Set the utensil basket on the securing knobs.
3. Slide the basket toward the bottom of the door until it locks into place.

### Auxiliary Basket (select models)

Use this supplemental basket in the upper rack for loading miscellaneous items and utensils. This is also a safe place to load sharp knives and pointed items.

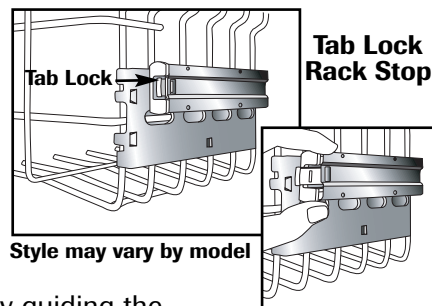


## Removing the Upper Rack

The upper rack can be removed when tall or oversized items need to be loaded into the lower rack. Unload the rack before removing it from the dishwasher.

### To remove rack with tab-lock rack stops :

1. Roll the rack  $\frac{1}{8}$  to  $\frac{1}{2}$  of the way out.
2. Locate the rack stops at the end of each track. Squeeze the tab in the middle of the rack stop and pull the rack stop straight out. Take care to support the rack while removing the rack stops.
3. Roll the rack all the way out of the track and remove from the dishwasher.

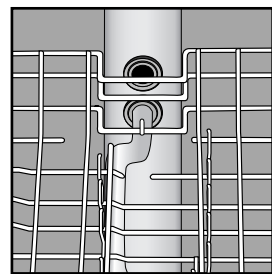


### To replace:

1. Replace the dishwasher rack by guiding the wheels into the tracks.
2. Push each rack stop squarely into the end of the track until the catch pops into the small hole on the side of the track.

### Important:

The dishwasher will not operate correctly if the wash arm is not aligned with one of the water inlet holes on back wall of the dishwasher.





# Dishwasher Use

## Hot Water

For optimal cleaning and drying results, hot water is necessary. The incoming water temperature should be 120° F (49° C) to properly activate the detergent and melt greasy food soils.

To check the incoming water temperature, turn on the hot water faucet nearest the dishwasher and let it run into a glass in the sink. Place a candy thermometer in the glass and check the temperature once it has stopped rising.

## Detergent

Use a detergent designed specifically for use in an automatic dishwasher. Be sure it is fresh. Store granular detergent in a cool, dry place (not under the sink).

## Recommended Amount

Too little detergent results in poor cleaning, hard water filming/spotting and poor drying. Too much detergent can cause permanent etching/cloudiness.

Suds can cause the dishwasher to overflow. Measure the detergent carefully and use only detergents designed for use in a dishwasher. Less detergent is needed in soft water. Try another brand of detergent if sudsing continues.

The amount of detergent to use is determined by the hardness of the water and soil level of the load. Refer to the following chart for detergent usage recommendations.

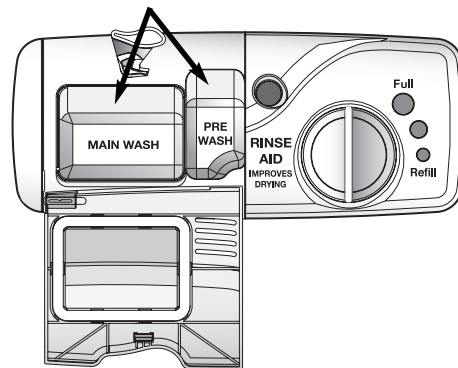
WATER HARDNESS*	SOIL LEVEL	PRE-WASH DETERGENT	MAIN WASH DETERGENT
<b>Soft (0-4 gpg)</b>	Light Soil	2 tsp	6 tsp
	Normal Soil	4 tsp	6 tsp
	Heavy Soil	4 tsp	7 tsp
<b>Medium (5-9 gpg)</b>	Light Soil	4 tsp	6 tsp
	Normal Soil	4 tsp	6 tsp
	Heavy Soil	5 tsp	7 tsp
<b>Hard (10-12 gpg)</b>	All Levels	5 tsp	8 tsp

\*Your local water utility or state university extension service can tell you the degree of water hardness in your area.

**In extremely hard water conditions (13 grains per gallon or more\*), it is difficult to achieve good results with any dishwasher. A mechanical water**

**softener may be necessary to improve water quality, detergent effectiveness, and protect the dishwasher parts from the damage that hard water can cause.**

Add recommended amount of detergent to each cup as shown and close the detergent lid.



Do not use detergent with the Rinse Only cycle (select models). Leave the detergent lid open when running the Rinse Only cycle (select models).

## Rinse Aid

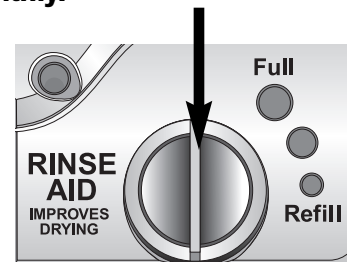
**Regular use of a rinse aid improves drying, reduces spotting and filming, and reduces moisture left on the dishwasher interior.**

An automatic rinse aid dispenser is located next to the detergent cup.

The window next to the dispenser cap indicates when the rinse aid reservoir needs to be refilled. When the level of rinse aid is below the indicator marks and the window is nearly clear, it is time to refill the dispenser.

**Check the dispenser monthly.**

To add rinse aid to the dispenser, turn the cap counterclockwise to open. Remove the cap and pour liquid rinse aid into the opening. The amount of rinse aid dispensed during the cycle is adjustable by moving the lever inside the reservoir area. For most water conditions use the manufacturer recommended setting of "2". Adjust it up to the "MAX" setting for hard water. Set the lever anywhere between these amounts as needed to get the best results. Replace the cap and turn it clockwise to close.





# Cycles, Options and Lights

## Cycles

Choose the cycle that best describes your dishload by pressing the corresponding touchpad. (See page 3, **Operating Tips**, for how to begin the cycle).

CYCLE	DESCRIPTION	TIME (APPROX. MINUTES)	NUMBER OF WASHES/RINSES
<b>Heavy Wash</b>	Long cycle for heavy food soils.	132	2 washes/3 rinses
<b>Normal Wash</b>	Medium cycle for average food soils. The turbidity sensor is active with this cycle.	97-117	1-2 washes*/1-2 rinses*
<b>Quick Wash</b>	Short cycle for light food soils.	82	1 wash/2 rinses
<b>Auto Wash (select models)</b>	Designed to select the number of water fills best suited for the soil level of each load. The turbidity sensor is active with this cycle.	94-128	1-2 washes*/2-3 rinses*
<b>Rinse Only (select models)</b>	Rinses dishes being held until there is a full load.	9	1 rinse

\* Number of fills will vary depending on the soil level of each load.

### Notes

- Depending on initial water temperature, time may be added to the cycle to reach the proper temperature.
- Cycle times shown in the numerical display (select models) will increase or decrease, based on each load's soil level, water temperature and selected options.
- Only the following certified cycles have been designed to meet NSF requirements (NSF/ANSI 184 Residential Dishwasher) for sanitization: Auto Wash (select models), Heavy Wash, Normal Wash and Quick Wash.





# Cycles, Options and Lights

## Options

In addition to choosing a cycle from page 7, choose as many available options **as are needed** for your dishload.

OPTION	DESCRIPTION	USE WITH CYCLES
<b>Sanitize</b> (select models)	Sanitizes dishware. When the cycle monitor recognizes that proper conditions have been met, a Sanitized light will activate at the end of the cycle. Sanitization may not be achieved if there is an interruption of the cycle, power failure or if the incoming water temperature is below 120° F (49° C).	Heavy Wash* Normal Wash* Quick Wash* Auto Wash* (select models)
<b>Hi Temp Wash</b>	Hi Temp Wash provides additional heat during the wash portion of the cycle, which ensures proper water temperature for better cleaning and drying results. It also adds an additional rinse to the cycle which improves results in hard water situations.	All cycles (except Rinse Only) (select models)
<b>Heated Dry</b>	For enhanced drying results select this option. When <b>Heated Dry</b> is <b>not</b> selected, towel drying of some items such as plastic and items with non-stick surfaces may be necessary and more moisture may be noticed adhering to the dishwasher interior. In models with plastic interiors, it is normal to notice vapor escaping from the door vent as the heat dries your dishes. Vapor will escape even if <b>Heated Dry</b> is <b>not</b> selected.	All cycles (except Rinse Only) (select models)
<b>Delay</b>	Used to automatically start the cycle at a later time. See page 10 for instructions.	All Cycles

\* Only these cycles have been designated to meet NSF requirements (NSF/ANSI 184 Residential Dishwasher) for sanitization.

### **⚠ CAUTION**

**CAUTION** – In models with plastic interiors, it is normal to notice vapor escaping from the door vent in the upper left corner of the door as the heat dries your dishes. The vapor is hot and may cause minor burns.



# Cycles, Options and Lights

## Lights/Display (select models)

INDICATOR	DESCRIPTION
<b>Time Remaining Display</b> (select models)	Shows approximate minutes remaining in a cycle. The symbol “2H” will appear when cycle time is greater than 99 minutes. Cycle times shown in the numerical display (select models) will increase or decrease, based on each load’s soil level, water temperature and selected options.
<b>Clean</b> (select models)	Illuminates at the end of the cycle and remains lit until the door has been open for 30 seconds continuously.
<b>Drying</b> (select models)	Illuminates during the entire dry period and goes out when the cycle is completed.
<b>Washing</b> (select models)	Illuminates during all rinse and wash portions of the cycles.
<b>Heating Delay</b> (select models)	Illuminates when cycle is being extended to heat the water.
<b>Sanitized</b> (select models)	Illuminates at the end of the cycle when conditions have been met to achieve sanitization. The light will remain lit until the door has been open for 30 seconds continuously.
<b>On</b>	Illuminates during all rinse, wash and dry portions of the cycle and goes out when the cycle is completed.

### Notes

- When **Sanitize** (select models) is selected, cycles are monitored to assure sanitization. The Sanitized light will not activate if sanitization requirements are not met. This could happen if the cycle is interrupted, power failure occurs or incoming water temperature is below 120° F (49° F).
- The Clean and Sanitized indicator lights (select models) will not relight after a power failure until after the next cycle is run.



# Cycles, Options and Lights

## Delay

The **Delay** option can be used to automatically start the cycle at a later time to reduce daytime heat buildup in the home or to take advantage of reduced energy costs if available in your area. This option is also useful for conserving hot water at times of high household usage (showers, laundry).

### To set up a Delay:

1. Select the appropriate cycle and options for the load. Close the door.
2. Press the **Delay** pad until the desired amount of Delay time is selected.
3. The Delay indicator and the count down display (select models) will flash until the **START/Cancel** pad is pressed.
4. As soon as the **START/Cancel** pad is pressed, the flashing will stop and the Delay time will begin counting down. The Delay indicator will remain lit until the Delay time has counted down.
5. The cycle will automatically start as soon as the Delay time expires.

### Note

- If 30 seconds elapse between setting the cycle and options and pressing the **START/Cancel** pad, the dishwasher will turn off.

### To cancel a Delay:

When the Delay is counting down, press the **Delay** pad again. The indicator light will go out and the cycle will start or resume immediately.

### To cancel a Delay and the cycle:

- Press **START/Cancel** once to drain and turn off the dishwasher.

Or

- Press **START/Cancel** twice to turn dishwasher off without draining.

## Control Lock (select models)

The control touchpads can be locked to prevent unwanted use. If this feature is activated between cycles, the dishwasher cannot be operated until the controls are unlocked. If desired, the controls can be locked after a cycle or Delay has started.

### Setting the Control Lock:

1. Press the **Heated Dry** pad for three seconds.
2. An indicator light next to the lock graphic will illuminate when the controls are locked.

### To Cancel:

1. Press the **Heated Dry** pad for three seconds.
2. The indicator light will go off.

### Notes

- If a cycle or option pad is pressed after the controls have been locked, the indicator light next to the lock graphic will flash five times. On selected models with a countdown display, the display will flash an "L" simultaneously with the lock indicator.
- This option does not lock the door, only the dishwasher controls.



# Care and Cleaning

## General Recommendations

- The dishwasher interior is normally self-cleaning. Periodically check the bottom of the dishwasher tub to see if any large particles remain.
- Wipe the edge of the inner door liner to remove any food soil splashes which occurred during loading.
- When cleaning stainless steel, always wipe with the grain. **Never** use products containing chlorine bleach or citric acid.

- The color from some tomato-based food soils may occasionally adhere to various components of the dishwasher interior, causing temporary discoloration.

### To minimize this:

- Remove excess tomato-based food soils from dishes, before loading.
- Run the Heavy Wash cycle when washing loads containing tomato-based food soils.
- Use a dishwasher detergent that contains chlorine to better fight staining.

LOCATION	SOIL LEVEL	TREATMENT
<b>Standard Exterior</b>	Light to moderate	Soft damp cloth and liquid spray cleaner. <b>Do Not</b> use abrasive powders or cleaning pads.
<b>Stainless Steel Exterior (select models)</b>	Daily cleaning and light soil	Soft cloth or sponge and one of the following: <ul style="list-style-type: none"> <li>• Mild detergent and water</li> <li>• A solution of white vinegar and water</li> <li>• Formula 409 Glass and Surface Cleaner*, or similar multi-surface cleaner.</li> <li>• <b>Do Not</b> use products containing chlorine bleach or citric acid.</li> </ul> Follow with rinse and dry.
	Moderate to heavy soil	Soft cloth or damp sponge and Bon Ami*. Follow with rinse and dry.
	Streaks or fingerprints/restore shine	Soft cloth and Stainless Steel Magic Spray**.
	Discoloration	Soft cloth or damp sponge and Cameo Stainless Steel Cleaner*. Rinse immediately and dry.
<b>Interior</b>	Light to moderate	Soft cloth or damp sponge.
	Discoloration, or tomato-based stain	Switch dishwasher detergent to chlorine-based product.

\*Brand names are trademarks of the respective manufacturer.

\*\*Call 1-877-232-6771 USA or 1-800-688-8408 Canada to order.

## Storage/Moving

Fill detergent cup with a fresh-scented dishwasher detergent or baking soda and select the **Normal Wash** cycle. Allow the dishwasher to complete the cycle. Then turn the water supply off and drain the dishwasher. To drain, press the **START/Cancel** pad once to activate

the dishwasher. Press **START/Cancel** again to activate the drain. Operate the drain twice to ensure most of the water is removed. Last, disconnect the electrical supply and prop open the door.

When turning the water supply to the home off, the water shut off at the dishwasher must be turned off also.

# Troubleshooting

**CHECK THESE POINTS TO HELP SAVE YOU TIME AND MONEY.**

PROBLEM	SOLUTION
<b>Dishwasher will not fill</b>	<ul style="list-style-type: none"> <li>• Press the <b>START/Cancel</b> pad to start the dishwasher.</li> <li>• Be sure door is latched securely.</li> <li>• Be sure the water is turned on.</li> <li>• Check that the pad is properly selected for a cycle.</li> <li>• Check your home's circuit breaker or fuse box.</li> <li>• Check inlet hose for a kink.</li> <li>• Check water valve inlet for sediment and clean if necessary.</li> </ul>
<b>Dishwasher will not drain/ water in tub bottom</b>	<ul style="list-style-type: none"> <li>• If hooked up to a food waste disposer, be sure the knock-out is removed from the disposer inlet.</li> <li>• Check for food obstruction in the drain or disposer.</li> <li>• Check drain hose for a kink.</li> <li>• Check your home's circuit breaker or fuse box.</li> <li>• Check that the cycle is completed.</li> </ul>
<b>Dishwasher adds water at end of cycle</b>	<ul style="list-style-type: none"> <li>• This is normal. The sensor (select models) in the pump must stay submerged so a short fill of water is added after the cycle's last drain.</li> </ul>
<b>Detergent cup is not empty</b>	<ul style="list-style-type: none"> <li>• Check that the cycle is completed.</li> <li>• Be sure dispenser is not blocked.</li> <li>• Use fresh detergent stored in a cool, dry place.</li> </ul>
<b>Dishwasher seems noisy</b>	<ul style="list-style-type: none"> <li>• A water valve hiss during fill is normal.</li> <li>• Water circulation sounds are normal.</li> <li>• A thumping sound may be a wash arm bumping an item that is extending beyond the racks. Readjust load to avoid obstructing wash arm.</li> <li>• Chopping or grinding sounds may be heard as the internal chopper blade chops hard items like fruit seeds, nuts, etc.</li> <li>• Humming during the drain is normal.</li> <li>• A snap noise is the detergent cup lid hitting the door liner when the dishwasher door is opened at the end of the cycle. This is normal.</li> <li>• Proper installation affects the noise level.</li> </ul>
<b>Cycle takes too long (Heating Delay light [select models] stays on)</b>	<ul style="list-style-type: none"> <li>• <b>Hi Temp Wash</b> or <b>Sanitize</b> (select models) has been selected and the cycle is extended to heat water.</li> <li>• Check to see that the incoming water temperature is 120° F (49° C).</li> </ul>
<b>Dishwasher has an odor</b>	<ul style="list-style-type: none"> <li>• Run dishes being held in the dishwasher through a Rinse Only cycle (select models).</li> <li>• Many dishwashers have a "new" smell when first installed. This will dissipate with use.</li> <li>• Dishwasher may not be draining properly. (See "Dishwasher Will Not Drain" section.)</li> <li>• For a strong odor, place baking soda in both sides of the detergent cup. Select <b>Quick Wash</b> cycle and allow the water to circulate for about 10 minutes. Interrupt the cycle by unlatching the door and let it stand overnight. Restart the dishwasher by latching the door and allow it to complete the cycle. Another alternative is to use a dishwasher cleaning product such as Jet-Dry Dishwasher Cleaner*.</li> </ul>
<b>Dishwasher leaks</b>	<ul style="list-style-type: none"> <li>• Check that the dishwasher is level. (Refer to the Installation Instructions).</li> <li>• Suds can cause the dishwasher to overflow. Measure the detergent carefully and use only detergents designed for use in a dishwasher. Less detergent is needed in soft water. Try another brand of detergent if sudsing continues.</li> <li>• Follow directions closely on how to add a forgotten item (pg. 3).</li> <li>• To avoid rinse aid leaking from the dispenser, be sure the lid is securely attached.</li> </ul>

\*Brand names are trademarks of the respective manufacturer.

**Cont.**



# Troubleshooting

PROBLEM	SOLUTION
<b>Display time suddenly drops or increases by several minutes (select models)</b>	<ul style="list-style-type: none"> <li>• This is normal when the <b>Auto Wash</b> (select models) or <b>Normal Wash</b> cycle is selected and the dishwasher decides to skip or add a drain and refill.</li> </ul>
<b>Indicator lights flashing</b>	<ul style="list-style-type: none"> <li>• The countdown display (select models) flashes after a cycle is selected until the <b>START/Cancel</b> pad is pressed.</li> <li>• The countdown display (select models) and the Delay indicator flash after a <b>Delay</b> is selected until the <b>START/Cancel</b> pad is pressed.</li> <li>• All active display indicators flash if the door is opened during a running cycle or Delay.</li> <li>• The currently selected cycle flashes if an attempt is made to change the cycle after cycle “lock-in”.</li> <li>• The lock indicator flashes and the countdown display (select models) flashes an “L” if a pad is pressed while the control lock is enabled.</li> </ul>
<b>Glasses are cloudy/spotted</b>	<ul style="list-style-type: none"> <li>• Select <b>Hi Temp Wash</b> option.</li> <li>• Check water temperature. Incoming water should be 120° F (49° C).</li> <li>• Always use a rinse aid.</li> <li>• Confirm that the cloudiness is removable by soaking the item in white vinegar for approximately 5 minutes. If removed, the problem is due to hard water. Adjust detergent amount being used to match water hardness (pg. 6). Be sure detergent is fresh, stored properly and is a high quality brand.</li> <li>• If cloudiness is not removable, it is etching. This is an erosion of the surface of the glassware and can be caused by water that is too hot, from using too much detergent or by prewashing. Detergent needs food soil to act upon. If etching has occurred, the glassware is permanently damaged. To prevent further etching, adjust the detergent amount to match the water hardness, stop prewashing, and use water heating options only when incoming water temperature is below 120° F (49° C).</li> </ul>
<b>Food soil remains on dishes</b>	<ul style="list-style-type: none"> <li>• Check water temperature. Incoming water should be 120° F (49° C).</li> <li>• Run hot water at the sink before starting the dishwasher.</li> <li>• Select <b>Hi Temp Wash</b> option.</li> <li>• Check water hardness and adjust detergent amount accordingly (pg. 6).</li> <li>• Use fresh detergent stored in a cool dry place.</li> <li>• Select proper cycle for the soil level (pg. 7).</li> <li>• Make sure the upper rack wash arm connector is correctly aligned in one of the water inlet holes (pg. 5).</li> <li>• Load items so they do not block the wash arms (pg. 4-5).</li> <li>• Load the utensil basket with knife handles up and spoon and fork handles down.</li> <li>• Do not place glasses over tines.</li> <li>• Before loading, scrape off burnt on foods and wipe the starchy film from utensils used with pasta, rice and oatmeal. These soils require more energy than the rest of the load to clean.</li> </ul>
<b>Items washed in the dishwasher or the dishwasher tub itself are stained/discolored</b>	<ul style="list-style-type: none"> <li>• Aluminum utensils or pans can leave marks when they rub against other items. Leave a slight space between items.</li> <li>• Iron deposits in the water can leave a yellow, brown or orange film on dishes or the dishwasher tub. A rust filter may be needed. Check with a water treatment company.</li> <li>• Separate silver or silver-plated silverware from stainless steel. These metals can be damaged by contact with each other during washing.</li> <li>• Color from tomato sauces may adhere to the interior parts of the dishwasher (pg. 11). If light staining has occurred, leave the door open to oxidize the stain away. Use a dishwasher detergent that contains chlorine to better fight staining.</li> <li>• Certain dishwasher detergents may stain silver. Try another brand of detergent.</li> </ul>

\*Brand names are trademarks of the respective manufacturer.





# Troubleshooting

PROBLEM	SOLUTION
<b>Items not properly dried/ moisture is present on the dishwasher interior after the dry cycle</b>	<ul style="list-style-type: none"> <li>• Be sure <b>Heated Dry</b> is selected.</li> <li>• Water droplets may form on the inner door as part of the drying process.</li> <li>• Use a rinse aid separate from the detergent like Jet Dry* or Cascade Rinse Aid* regularly, to improve drying. Turn the rinse aid selector toward the MAX setting.</li> <li>• Check water temperature. Incoming water should be 120° F (49° C).</li> <li>• Select <b>Sanitize</b> and/or <b>Hi Temp Wash</b> (select models).</li> <li>• Increase detergent amount to match water hardness (pg. 6).</li> <li>• Load properly (pg. 4-5).</li> <li>• Plastic and items with non-stick surfaces are difficult to dry because they have a porous surface which tends to collect water droplets. Towel drying may be necessary.</li> <li>• Glasses and cups with concave bottoms hold water and require towel drying. Locate these items on the more slanted side of the rack for improved results.</li> </ul>
<b>Dishware is chipped</b>	<ul style="list-style-type: none"> <li>• Load dishes according to instructions so they do not strike each other (pg. 4-5).</li> <li>• Washing fine antique china/crystal in the dishwasher is not recommended.</li> <li>• Do not load glasses over the tines.</li> <li>• Do not overload.</li> </ul>
<b>Sanitized light does not illuminate at the end of the cycle (select models)</b>	<ul style="list-style-type: none"> <li>• <b>Sanitize</b> was <b>not</b> selected.</li> <li>• Sanitization can only be achieved with the Auto Wash (select models), Heavy Wash, Normal Wash or Quick Wash cycles.</li> <li>• Sanitization may not be achieved if there is an interruption of the cycle, power failure or if incoming water temperature is below 120° F (49° C).</li> </ul>

\*Brand names are trademarks of the respective manufacturer.





# Warranty and Service

## Warranty

### Limited One Year Warranty - Parts and Labor

For **one (1) year** from the original retail purchase date, any part which fails in normal home use will be repaired or replaced free of charge.

### Canadian Residents

The above warranties only cover an appliance installed in Canada that has been certified or listed by appropriate test agencies for a compliance to a National Standard of Canada unless the appliance was brought into Canada due to transfer of residence from the United States to Canada.

*The specific warranties expressed above are the **ONLY** warranties provided by the manufacturer. These warranties give you specific legal rights, and you may also have other rights which vary from state to state.*

CUSTOMER'S SOLE AND EXCLUSIVE REMEDY UNDER THIS LIMITED WARRANTY SHALL BE PRODUCT REPAIR AS PROVIDED HEREIN. IMPLIED WARRANTIES, INCLUDING WARRANTIES OF MERCHANTABILITY OR FITNESS FOR A PARTICULAR PURPOSE, ARE LIMITED TO ONE YEAR OR THE SHORTEST PERIOD ALLOWED BY LAW. MAYTAG CORPORATION SHALL NOT BE LIABLE FOR INCIDENTAL OR CONSEQUENTIAL DAMAGES. SOME STATES AND PROVINCES DO NOT ALLOW THE EXCLUSION OR LIMITATION OF INCIDENTAL OR CONSEQUENTIAL DAMAGES, OR LIMITATIONS ON THE DURATION OF IMPLIED WARRANTIES OF MERCHANTABILITY OR FITNESS, SO THESE EXCLUSIONS OR LIMITATIONS MAY NOT APPLY TO YOU. THIS WARRANTY GIVES YOU SPECIFIC LEGAL RIGHTS AND YOU MAY ALSO HAVE OTHER RIGHTS, WHICH VARY STATE TO STATE OR PROVINCE TO PROVINCE.

## What is Not Covered By These Warranties

1. Conditions and damages resulting from any of the following:
  - a. Improper installation, delivery, or maintenance.
  - b. Any repair, modification, alteration, or adjustment not authorized by the manufacturer or an authorized servicer.
  - c. Misuse, abuse, accidents, unreasonable use, or acts of God.
  - d. Incorrect electric current, voltage, electrical and/or gas supply.
  - e. Improper setting of any control.
2. Warranties are void if the original serial numbers have been removed, altered, or cannot be readily determined.
3. Light bulbs, water filters and air filters.
4. Products purchased for commercial or industrial use.
5. The cost of service or service call to:
  - a. Correct installation errors. For products requiring ventilation, rigid metal ducting must be used.
  - b. Instruct the user on the proper use of the product.
  - c. Transport the appliance to and from the servicer.
6. Any food loss due to refrigerator or freezer product failures.
7. Expenses for travel and transportation for product service in remote locations.
8. Outside of the United States and Canada this warranty does not apply. Contact your dealer to determine if another warranty applies.
9. Consequential or incidental damages sustained by any person as a result of any breach of these warranties. Some states do not allow the exclusion or limitation of consequential or incidental damages, so the above exclusion may not apply.

## If You Need Service

First see the Troubleshooting section in your Use and Care Guide or call the dealer from whom your appliance was purchased or call Maytag Services, LLC, Customer Assistance at 1-800-688-9900 USA and 1-800-688-2002 Canada to locate an authorized servicer.

- Be sure to retain proof of purchase to verify warranty status. Refer to WARRANTY for further information on owner's responsibilities for warranty service.
- If the dealer or service company cannot resolve the problem, write to Maytag Services, LLC, Attn: CAIR® Center, P.O. Box 2370, Cleveland, TN 37320-2370, or call **1-800-688-9900 USA and 1-800-688-2002 Canada**. U.S. customers using TTY for deaf, hearing impaired or speech impaired, call 1-800-688-2080.
- User's guides, service manuals and parts information are available from Maytag Services, LLC, Customer Assistance.

**Notes:** When writing or calling about a service problem, please include:

- a. Your name, address and telephone number;
- b. Model number and serial number;
- c. Name and address of your dealer or servicer;
- d. A clear description of the problem you are having;
- e. Proof of purchase (sales receipt).

# Amana®

ADB-2

# Lave-vaisselle

## Guide d'utilisation et d'entretien



Sécurité ..... 17



Articles lavables ou non  
en lave-vaisselle ..... 18



Conseils d'utilisation ..... 19



Chargement ..... 20-21



Utilisation du  
lave-vaisselle ..... 22



Cycles, options et  
témoins lumineux ..... 23-26



Entretien et nettoyage ..... 27



Dépannage ..... 28-30



Garantie et service ..... 31

Guía de Uso y Cuidado ..... 32



**Installateur :** Veuillez laisser ce guide avec cet appareil.

**Consommateur :** Veuillez lire et garder ce guide pour consultation ultérieure. Conservez le reçu ou le chèque encaissé comme preuve de l'achat.

Numéro de modèle \_\_\_\_\_

Numéro de série \_\_\_\_\_

Date d'achat \_\_\_\_\_

Pour des questions, appelez :

1-800-688-9900 aux É.-U. et 1-800-688-2002 au Canada  
(Lundi au vendredi, 8 h à 20 h, heure de l'Est)

Internet : <http://www.amana.com>

Dans le cadre de nos pratiques d'amélioration constante de la qualité et de la performance de nos appareils, des modifications peuvent être introduites sur les appareils sans que cela donne lieu à une révision de ce guide.

**Pour l'information sur le service, voir page 31.**



## Sécurité

### Ce que vous devez savoir sur les instructions de sécurité

Les instructions de sécurité importantes et les avertissements paraissant dans ce guide ne sont pas destinés à couvrir toutes les situations et conditions éventuelles qui peuvent se présenter. Il faut faire preuve de bon sens et de prudence lors de l'installation, de l'entretien ou de l'utilisation de l'appareil.

Prenez toujours contact avec votre fabricant, au sujet de problèmes ou conditions que vous ne comprenez pas.

### Reconnaissez les étiquettes, phrases ou symboles sur la sécurité

#### AVERTISSEMENT

**AVERTISSEMENT** – risques ou pratiques non sûres, qui **POURRAIENT** résulter en de graves blessures ou même la mort.


#### ATTENTION

**ATTENTION** – risques ou pratiques non sûres, qui **POURRAIENT** résulter en blessure mineure ou d'endommager le produit.

### Instructions de sécurité importantes

#### AVERTISSEMENT

**Vérifier avec l'installateur pour s'assurer que l'appareil a été correctement mis à la terre pour éviter tout choc électrique. S'assurer de lire les instructions de sécurité personnelles importantes avant d'utiliser ce lave-vaisselle.**

Les produits portant une étiquette  ont été homologués par Underwriter's Laboratories, Inc. – ceux portant une étiquette CSA ont été homologués par la Canadian Standards Association (CSA). Néanmoins, comme pour tout autre équipement utilisant l'électricité et des pièces mobiles, il y a un danger potentiel.

## AVERTISSEMENT

**Lors de l'utilisation du lave-vaisselle, suivre ces précautions de base :**

1. Lire la totalité des instructions avant d'utiliser le lave-vaisselle.
2. Utiliser le lave-vaisselle uniquement pour les applications.
3. Débrancher le lave-vaisselle avant tout entretien.
4. Pour éviter tout risque de choc électrique, les côtés et l'arrière doivent être fermés et le panneau avant doit être fixé avant de brancher le lave-vaisselle. Se reporter aux instructions d'installation pour les méthodes correctes de mise à la terre.
5. Brancher le lave-vaisselle à un circuit électrique correctement protégé, d'une puissance nominale appropriée et avec fils de calibre adéquat.
6. Il ne faut jamais laisser les enfants utiliser ou jouer dans, avec ou autour du lave-vaisselle.
7. Pour réduire le risque de blessure lors du chargement du lave-vaisselle, il faut placer les articles pointus ou aiguisés avec le manche vers le dessus. De même, loger les articles pointus pour qu'ils n'endommagent pas le joint de la porte.
8. Ne pas toucher à l'élément chauffant au bas de la cuve durant ou à la fin d'un cycle car il est chaud.
9. N'utiliser que des détergents et des agents de rinçage conçus pour un lave-vaisselle résidentiel automatique. Ne jamais utiliser de savon, de détergent lessiviel ou de détergent de lavage à la main dans votre lave-vaisselle. Garder ces produits hors de portée des enfants.
10. Ne pas s'asseoir, se mettre debout ou maltraiter la porte ou les paniers du lave-vaisselle.
11. Sous certaines conditions, de l'hydrogène peut se former dans un système d'eau chaude qui n'a pas été utilisé pendant deux semaines ou plus. **L'hydrogène est un gaz explosif.** Si le système d'eau chaude n'a pas été utilisé pendant une telle période, ouvrir tous les robinets d'eau chaude et laisser couler l'eau pendant plusieurs minutes. Ceci diminuera l'accumulation d'hydrogène. Comme il s'agit d'un gaz inflammable, ne pas fumer ou utiliser de flamme vive durant cette opération.
12. Ne pas laver d'articles en plastique ne portant pas l'indication « lavable en lave-vaisselle ». Pour des articles en plastique sans indication, vérifier les recommandations du fabricant.
13. Ne pas circonvier les commandes.
14. Pour éviter tout risque d'enfermement et/ou de suffocation accidentelle d'un enfant, toujours enlever la porte du compartiment de lavage lorsque l'on enlève un ancien lave-vaisselle ou qu'on le jette.
15. Faire preuve de prudence en déchargeant le lave-vaisselle. La vaisselle peut être chaude si elle est déchargée peu de temps après la fin d'un cycle.
16. Les lave-vaisselle à usage résidentiel certifié ne sont pas conçus pour les établissements alimentaires homologués.
17. Pour éviter que l'eau ou la moisissure ne détériore votre habitation, vérifiez régulièrement les raccordements d'arrivée d'eau et les tuyaux d'évacuation pour d'éventuelles fuites.

## Conserver ces instructions



# Articles lavables ou non en lave-vaisselle

La plupart des articles de table et de cuisson ainsi que les couverts peuvent être lavés en sécurité dans le lave-vaisselle. Vérifier avec le fabricant.

MATÉRIAU	SONT-ILS LAVABLES EN LAVE-VAISSELLE?	RENSEIGNEMENTS UTILES
<b>Aluminium</b>	Oui, sauf l'aluminium anodisé.	De hautes températures et les détergents peuvent attaquer la finition.
<b>Fonte</b>	Non	L'apprêt serait enlevé et le fer rouillerait.
<b>Porcelaine/Grès</b>	Oui, sauf les pièces d'antiquité ou peintes à la main.	Toujours vérifier les recommandations du fabricant avant le lavage. Les porcelaines fines, les motifs peints à la main ou sur le vernis peuvent s'estomper. Les feuilles d'or peuvent se décolorer.
<b>Cristal</b>	Oui, sauf les pièces d'antiquité et le cristal délicat.	Toujours vérifier les recommandations du fabricant avant le lavage. Certains types de cristal au plomb peuvent se corroder après des lavages répétés.
<b>Filtres</b>	Non recommandés.	Peuvent laisser un dépôt crasseux ou des taches à l'intérieur du lave-vaisselle.
<b>Verre</b>	Oui	Un verre spécial appelé « verre laiteux » peut jaunir par suite de lavages répétés au lave-vaisselle.
<b>Couverts plaqués or</b>	Non	Se décolorent.
<b>Étain, fer blanc</b>	Non	
<b>Plastiques</b>	Oui, sur panier supérieur sauf les articles en plastique à jeter.	Toujours vérifier les recommandations du fabricant avant le lavage. La capacité des plastiques à résister aux hautes températures et aux détergents peut varier. Les articles en plastique jetable ne sont pas lavables en lave-vaisselle.
<b>Acier inoxydable</b>	Oui	Si ces articles ne sont pas lavés immédiatement, lancer un cycle Rinse Only (Rinçage seulement) (certains modèles). Le contact prolongé avec la nourriture contenant du sel, du vinaigre, des produits laitiers ou du jus peut endommager la finition.
<b>Argenterie ou argent sterling</b>	Non, s'il a subi un traitement de « noircissement ».	Toujours vérifier les recommandations du fabricant avant le lavage. Si ces articles ne sont pas lavés immédiatement, lancer un cycle Rinse Only (certains modèles). Le contact prolongé avec la nourriture contenant du sel, de l'acide ou des sulfures (œufs, mayonnaise ou fruits de mer) peut endommager la finition. Le « noircissement » commercial peut être enlevé par le détergent.
<b>Articles en bois</b>	Non	Le bois peut se déformer, se fissurer ou se décolorer.



# Conseils d'utilisation

## Avant de commencer

- **Ne pas précéder. Il suffit de jeter os et gros morceaux de nourriture.**
- Si le lave-vaisselle est raccordé à un broyeur à déchets, **veiller à ce que celui-ci soit vide avant de mettre le lave-vaisselle en marche.**
- **Gratter les taches tenaces laissées par les aliments à base de tomate** (voir page 27).
- **Éliminer certains aliments** (tels que moutarde, mayonnaise, jus de citron, vinaigre, sel et vinaigrettes) **des articles en acier inoxydable aussi rapidement que possible.** Ces aliments peuvent provoquer de la rouille et du piquage s'ils restent en contact prolongé avec la surface.

## Utilisation du lave-vaisselle

1. Après avoir chargé le lave-vaisselle et ajouté du détergent, choisir le cycle et les options désirés en appuyant sur les touches. Les témoins lumineux des options et cycles choisis s'allument. Pour annuler une option, appuyer à nouveau sur la touche.
2. Pour démarrer un cycle, fermer la porte jusqu'à ce qu'elle se verrouille, puis appuyer une fois sur la touche **START/Cancel (MISE EN MARCHÉ/Annulation)**. À la suite d'une pause, le remplissage commence. Le décompte de l'afficheur (certains modèles) clignote jusqu'à ce que l'on appuie sur **START/Cancel**.

### Remarque

- Si l'on n'appuie pas sur la touche **START/Cancel** dans les 30 secondes suivant la sélection du cycle, le lave-vaisselle s'arrête.

Le lave-vaisselle se souvient du dernier cycle choisi. Il n'est donc pas nécessaire de reprogrammer le cycle à chaque fois. Pour mettre en marche le lave-vaisselle avec le même cycle et les mêmes options que ceux choisis lors du lavage précédent, il suffit d'appuyer sur la touche **START/Cancel**.

3. Pour annuler un cycle en cours de fonctionnement, appuyer une fois sur la touche **START/Cancel**. Le lave-vaisselle procède à une vidange puis s'arrête. Pour arrêter le lave-vaisselle sans qu'il ne commence une vidange, appuyer deux fois sur la touche **START/Cancel**. Pour empêcher des changements non prévus de cycle ou d'option, il n'est plus possible de changer ces sélections après 1 minute.

### Remarque

- Si l'on appuie sur une touche de cycle après le verrouillage des commandes, le témoin lumineux situé au-dessus du cycle en cours clignote trois fois.

## Ajout d'un article oublié

Pour de meilleurs résultats de nettoyage, l'article oublié devra être ajouté au début du cycle.

1. Saisir la poignée de porte et déverrouiller la porte sans l'ouvrir complètement. Tous les témoins lumineux clignotent pour indiquer que le cycle est interrompu.
2. Attendre l'arrêt de la circulation d'eau.
3. Ouvrir la porte et ajouter l'article.
4. Fermer la porte et la verrouiller. Les témoins lumineux cessent de clignoter lorsque la porte est correctement fermée. Après un court instant, le cycle reprend automatiquement au point où il s'est arrêté.

### Remarques

- Si la porte est ouverte pendant le fonctionnement d'un cycle, il peut y avoir jusqu'à 30 secondes d'attente avant que l'appareil ne se remette en marche une fois la porte fermée.
- Il n'est pas recommandé d'interrompre le cycle de lavage pendant une période prolongée.



# Chargement

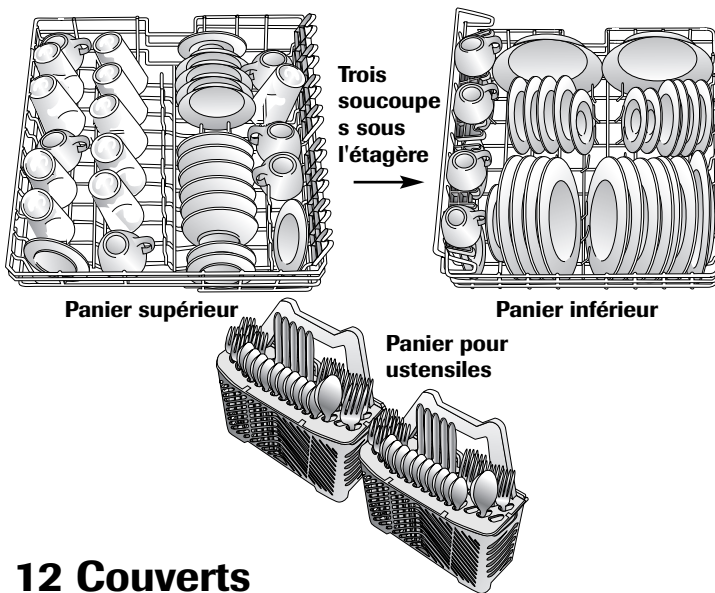
## Recommandations d'ordre général

(Les caractéristiques des paniers varient selon le modèle)

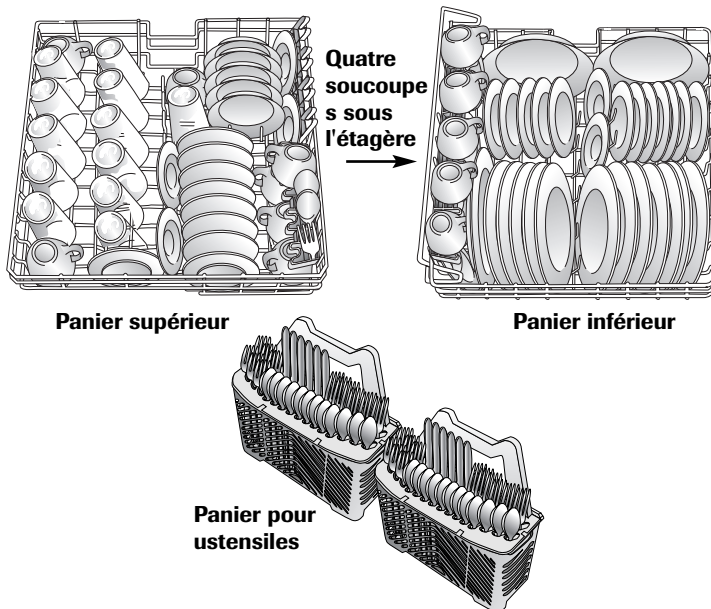
- Les articles peuvent être centrés derrière une tige de retenue ou chargés en biais pour tirer le meilleur parti possible de l'espace.
- Éviter de bloquer les bras gicleurs. Ne rien laisser dépasser des paniers.
- Tourner les surfaces souillées vers le centre du lave-vaisselle.

Pour obtenir les meilleurs résultats de lavage, observer les directives suivantes pour déterminer la disposition qui convient le mieux aux articles à laver.

### 10 Couverts



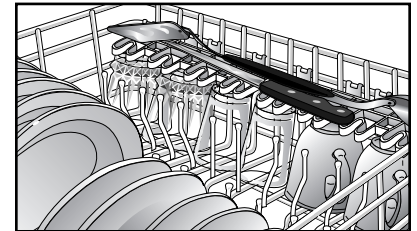
### 12 Couverts



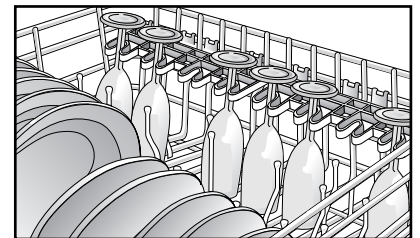
## Panier supérieur

Il peut recevoir verres, tasses, articles en plastique léger, assiettes, bols, casseroles, ustensiles à long manche, etc. **Ne pas placer les verres sur les tiges de retenue.**

L'étagère Stack-Rack (certains modèles) à la droite du panier supérieur, se relève ou s'abaisse pour plus de souplesse de chargement. L'abaisser pour retenir les couteaux, les spatules et les cuillères à long manche ou les articles courts comme les tasses et les verres à jus. La relever pour loger les grands articles comme les verres, les bols, les assiettes, etc.



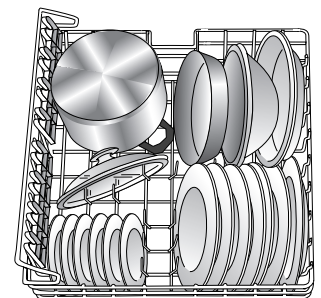
Le bord de l'étagère Stack-Rack (certains modèles) est conçu pour retenir les verres à pied en place. Il est préférable de placer les verres dont le pied est plus long à droite, car le panier supérieur est plus profond à cet endroit.



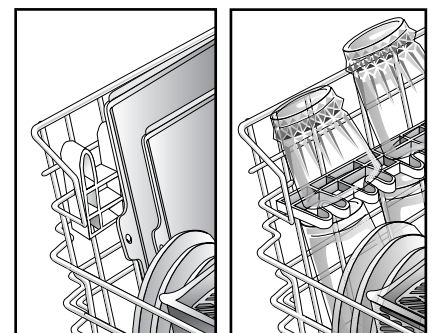
## Panier inférieur

Il peut recevoir une variété d'articles, des assiettes à dîner, des bols mélangeurs, des casseroles et des plats.

De longs articles comme des ustensiles de cuisine et des grands plats de service peuvent être placés sur le côté gauche.



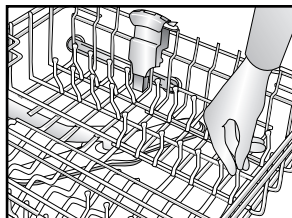
L'étagère Stack-Rack (certains modèles) étant relevée, des articles étroits comme des plaques à biscuits ou à pizza, peuvent être placés le long du côté gauche. Avec l'étagère abaissée, on peut mettre des verres et des tasses sur deux niveaux.





# Chargement

Les Tiges pliables (certains modèles) situées dans le coin avant droit, fournissent un espace pratique pour les grands articles encombrants comme les marmites ou bols mélangeurs.

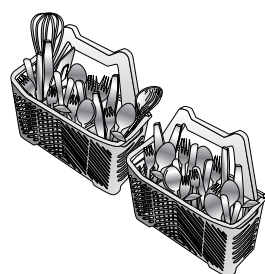


Pour abaisser les tiges, les pousser soigneusement hors de chacun des supports et vers le centre du panier pour les mettre à plat.

## Paniers pour Ustensiles

### Paniers de porte amovibles pour ustensiles

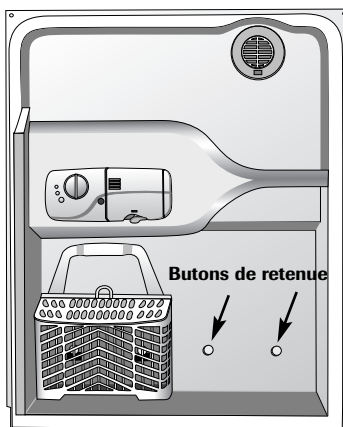
Pour de meilleurs résultats de lavage, évitez de laisser les divers éléments se coller les uns aux autres dans le panier.



Placez certains d'entre eux manches vers le haut et les autres manches vers le bas. Mettez les couteaux manches vers le haut, puis cuillères et fourchettes manches vers le bas.

### Pour retirer le(s) panier(s) de la porte

1. Attrapez le panier pour ustensiles par la poignée. Faites-le glisser vers le haut de la porte.
2. Dégagez le panier des boutons de retenue en le soulevant.



### Pour remplacer le(s) panier(s) de la porte

1. Alignez les fentes du dos du panier avec les boutons de la porte.
2. Placez le panier pour ustensiles sur les boutons de retenue.
3. Faites glisser le panier vers le bas de la porte jusqu'à ce qu'il soit bloqué.

### Panier auxiliaire (certains modèles)

Utiliser ce panier supplémentaire dans le panier supérieur pour y charger des articles et ustensiles divers. Ce panier est également un endroit sûr pour charger les couteaux affûtés et les articles pointus.

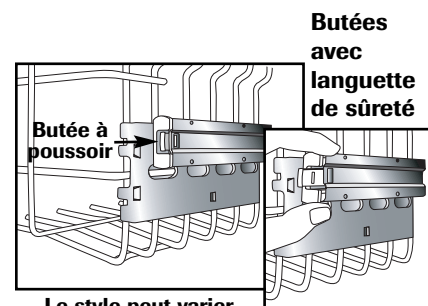


## Desmontage de la Rejilla Superior

### Retirer un panier muni de butées avec languette de sûreté :

1. Tirez le panier vers vous du 1/3 à 1/2.
2. Repérez les butées au bout de chaque guide. Appuyez sur les languettes de sûreté situées au centre des butées et retirez les butées complètement et tout droit. Assurez-vous de soutenir le panier au moment de retirer les butées.

3. Remettez le panier complètement et sortez-le du lave-vaisselle.

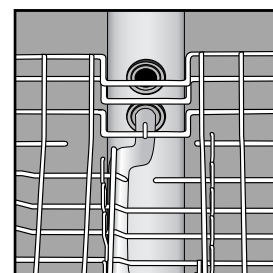


### Réinstallation :

1. Remettez le panier du lave-vaisselle en faisant glisser les roulettes dans les guides.  
*Le style peut varier*
2. Insérez chacune des butées au bout des guides de façon à ce qu'elles pénètrent dans les petits trous situés sur les côtés des guides.

### Importante :

L'appareil ne fonctionne pas correctement si le raccord du bras de lavage du panier n'est pas aligné avec l'un des orifices d'arrivée d'eau à l'arrière.





# Utilisation du lave-vaisselle

## Eau chaude

Pour des résultats de nettoyage et de séchage optimaux, l'eau chaude est nécessaire. La température de l'eau d'arrivée doit se trouver entre 49 °C (120 °F) pour activer correctement le détergent et faire fondre la saleté et la graisse.

Pour vérifier la température de l'eau à son arrivée, ouvrir le robinet d'eau chaude le plus proche du lave-vaisselle et faire couler l'eau dans un verre placé dans l'évier. Placer un thermomètre à confiserie dans le verre et vérifier la température une fois qu'elle s'est stabilisée.

## Détergent

Utiliser un détergent conçu spécifiquement pour être utilisé dans un lave-vaisselle automatique. S'assurer qu'il n'est pas périmé et s'il est en poudre, le ranger dans un endroit sec et frais (pas sous l'évier).

## Quantité recommandée

Une trop faible quantité de détergent entraînerait de faibles résultats de lavage, un dépôt et l'apparition de taches dus à l'eau dure et un séchage inefficace. Une trop grande quantité de détergent peut causer un piquage et un aspect terne permanent.

La mousse peut faire déborder le lave-vaisselle. Dosez soigneusement le détergent et n'utilisez que des produits spécialement conçus pour le lave-vaisselle. La quantité de détergent doit être réduite en présence d'eau douce. Essayez une autre marque de détergent si la quantité de mousse reste excessive.

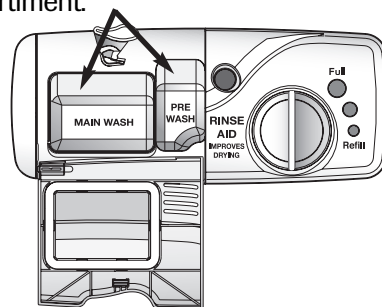
La quantité de détergent à utiliser est déterminée par la dureté de l'eau et le niveau de saleté de la vaisselle. Se référer au tableau ci-dessous pour connaître les recommandations d'utilisation du détergent.

DURETÉ DE L'EAU*	NIVEAU DE SALETÉ	PRÉLAVAGE DÉTERGENT	LAVAGE PRINCIPAL DÉTERGENT
<b>Douce (0-4 gpg)</b>	Léger Normal Intense	2 cuillères à thé 4 cuillères à thé 4 cuillères à thé	6 cuillères à thé 6 cuillères à thé 7 cuillères à thé
<b>Moyenne (5-9 gpg)</b>	Léger Normal Intense	4 cuillères à thé 4 cuillères à thé 5 cuillères à thé	6 cuillères à thé 6 cuillères à thé 7 cuillères à thé
<b>Dure (10-12 gpg)</b>	Tous les Niveaux	5 cuillères à thé	8 cuillères à thé

\*Votre station locale d'approvisionnement en eau ou tout autre service compétent de votre province, peut vous donner le degré de dureté de l'eau dans votre région.

En cas d'eau extrêmement dure (13 grains par gallon ou plus\*), il est difficile d'atteindre de bons résultats avec n'importe quel lave-vaisselle. Un adoucisseur d'eau mécanique peut être nécessaire pour améliorer la qualité de l'eau et l'efficacité du détergent et protéger les pièces du lave-vaisselle contre les dommages provoqués par l'eau dure.

Ajouter la quantité recommandée de détergent dans chaque tasse comme il est illustré et fermer le couvercle du compartiment.



Ne pas utiliser de détergent avec le cycle Rinse Only (Rinçage seulement) (certains modèles). Laisser le couvercle du distributeur de détergent ouvert lors du cycle Rinse Only (certains modèles).

## Agent de rinçage

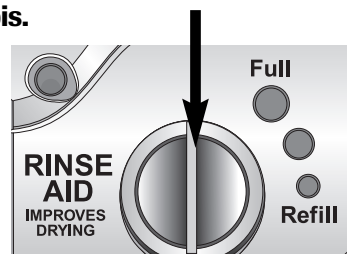
L'utilisation régulière d'un agent de rinçage améliore le séchage, réduit les taches et les dépôts de film ainsi que l'humidité à l'intérieur du lave-vaisselle.

Un distributeur automatique d'agent de rinçage se trouve à côté du godet de détergent.

Le hublot à côté du capuchon du distributeur indique quand il est nécessaire de remplir le réservoir d'agent de rinçage. Lorsque le niveau d'agent de rinçage se trouve en dessous de l'indicateur et que le hublot est presque transparent, il est temps de remplir le distributeur. **Vérifier le distributeur tous les mois.**

Pour ajouter de l'agent de rinçage dans le distributeur, tourner le capuchon vers la gauche pour l'ouvrir. Enlever le capuchon et verser l'agent de rinçage dans l'ouverture. La quantité

d'agent de rinçage distribuée au cours du cycle peut être réglée en déplaçant le levier à l'intérieur de la zone du réservoir. La plupart du temps, utiliser le réglage « 2 », recommandé par le fabricant. Régler à la position « MAX » pour une eau dure. Placer le levier n'importe où entre ces deux repères pour obtenir les meilleurs résultats. Remettre le capuchon et le tourner vers la droite pour le fermer.





# Cycles, options et témoins lumineux

## Cycles

Choisir le cycle qui convient le mieux à la vaisselle en appuyant sur la touche correspondante. (Voir page 19, **Conseils d'utilisation**, pour la manière de débiter le cycle.)

CYCLE	DESCRIPTION	DURÉE (MIN. APPROX.)	NOMBRE DE LAVAGES/RINÇAGES
<b>Heavy Wash (Lavage intense)</b>	Cycle long pour vaisselle très sale.	132	2 lavages/3 rinçages
<b>Normal Wash (Lavage normal)</b>	Cycle moyen pour vaisselle normalement sale. Le capteur de turbidité est actif avec ce cycle.	97-117	1-2 lavages*/1-2 rinçages*
<b>Quick Wash (Lavage rapide)</b>	Cycle court pour vaisselle peu sale.	82	1 lavage/2 rinçages
<b>Auto Wash (Lavage automatique) (certains modèles)</b>	Conçu pour choisir le nombre de remplissages d'eau correspondant au mieux au niveau de saleté de chaque charge. Le capteur de turbidité est actif avec ce cycle.	94-128	1-2 lavages*/2-3 rinçages*
<b>Rinse Only (Rinçage seulement) (certains modèles)</b>	Rince la vaisselle en attente de prochaines charges.	9	1 rinçage

\* Le nombre de remplissages varie selon le degré de saleté de chaque charge.

### Remarques

- Selon la température de l'eau, il pourra y avoir une augmentation de la durée du cycle pour amener l'eau à la température souhaitée.
- Les durées de cycle indiquées dans l'affichage numérique (certains modèles) augmentent ou diminuent en fonction du niveau de saleté de chaque charge, de la température de l'eau et des options sélectionnées.
- Seuls les cycles certifiés suivants ont été conçus pour répondre aux exigences d'assainissement NSF (NSF/ANSI 184 - lave-vaisselle résidentiel) : Lavage automatique (certains modèles), Lavage intense, Lavage normal et Lavage rapide.



# Cycles, options et témoins lumineux

## Options

En plus de choisir un cycle sur la page 23, choisir, parmi les options suivantes disponibles, **toutes celles qui seront nécessaires** selon la charge en cours.

OPTION	DESCRIPTION	À UTILISER AVEC LES CYCLES
<b>Sanitize (Lavage sanitaire) (certains modèles)</b>	Assainissement de la vaisselle. Lorsque le contrôleur du cycle reconnaît que les bonnes conditions ont été atteintes, le témoin lumineux Sanitized s'allume à la fin du cycle. Le lavage assainissant peut ne pas avoir lieu en cas d'interruption du cycle, de panne de courant ou si la température d'arrivée d'eau est inférieure à 49 °C (120 °F).	Lavage intense* Lavage normal* Lavage rapide* Lavage automatique* (certains modèles)
<b>Hi Temp Wash</b>	La fonction Hi Temp Wash fait en sorte que l'eau soit plus chaude au cours du cycle de lavage. La fonction High Temp assure une température idéale pour des lavages et des séchages optimaux.	Tous les cycles (sauf Rinse Only [Rinçage seulement]) (certains modèles)
<b>Heated Dry (Séchage avec chaleur)</b>	Pour de meilleurs résultats de séchage, sélectionner cette option. Lorsque <b>Heated Dry n'est pas</b> choisi, il peut être nécessaire de sécher à la main certains articles comme ceux en plastique et ceux avec surface non adhérente. Plus d'humidité peut aussi rester sur l'intérieur du lave-vaisselle. Dans les modèles avec intérieur en plastique, il est normal que de la vapeur s'échappe de l'évent de la porte pendant que la chaleur sèche la vaisselle. De la vapeur s'échappera même si l'option <b>Heated Dry n'est pas</b> sélectionnée.	Tous les cycles (sauf Rinse Only) [certains modèles]
<b>Delay (Démarrage différé)</b>	L'option peut être utilisée pour mettre le cycle automatiquement en marche, plus tard. Voir les instructions à la page 26.	Tous les cycles

\* Seuls ces cycles ont été désignés pour répondre aux exigences d'assainissement NSF (NSF / ANSI 184 – lave-vaisselle résidentiel).

### ATTENTION

**ATTENTION** – Dans les modèles avec intérieur en plastique, il est normal de remarquer que de la vapeur s'échappe de l'évent de la porte dans le coin supérieur gauche de la porte alors que la chaleur sèche la vaisselle. La vapeur est chaude et peut causer des brûlures mineures.



# Cycles, options et témoins lumineux

## Témoins lumineux/affichage (certains modèles)

TÉMOIN LUMINEUX	DESCRIPTION
<b>Affichage de la Durée restante (certains modèles)</b>	Indique le nombre de minutes approximatif restantes dans un cycle. Le symbole « 2H » apparaît lorsque la durée d'un cycle est supérieure à 99 minutes. Les durées de cycle apparaissant à l'affichage numérique (certains modèles) augmentent ou diminuent selon le niveau de saleté de chaque charge, la température de l'eau et les options choisies.
<b>Clean (nettoyage) (certains modèles)</b>	S'allume à la fin du cycle et reste allumé à moins que la porte ne reste ouverte en continu pendant 30 secondes.
<b>Drying (séchage) (certains modèles)</b>	S'allume durant toute la période de séchage et s'éteint une fois le cycle terminé.
<b>Washing (Lavage) (certains modèles)</b>	S'allume durant toutes les portions de lavage et de rinçage du cycle.
<b>Heating delay (chauffage supplémentaire) (certains modèles)</b>	S'allume lorsque le cycle est prolongé pour chauffer l'eau.
<b>Sanitized (Lavage sanitaire) (certains modèles)</b>	S'allume à la fin du cycle lorsque toutes les conditions ont été respectées pour un lavage sanitaire. Le témoin lumineux reste allumé à moins que la porte ne reste ouverte en continu pendant 30 secondes.
<b>On (Sur)</b>	S'allume durant toutes les portions de lavage, de rinçage et de séchage du cycle.

### Remarques

- Lorsque **Sanitize (Lavage sanitaire)** est choisi, les cycles sont contrôlés pour s'assurer du lavage sanitaire. Le témoin lumineux Sanitized (Lavage Sanitaire) ne s'allume pas si les exigences du lavage sanitaire ne sont pas respectées. Ceci peut se produire si le cycle est interrompu, en cas de panne de courant ou d'arrivée d'eau à une température inférieure à 120 °F (49 °C).
- Les témoins lumineux Clean (Nettoyage) et Sanitized (certains modèles) ne se réallument pas à la suite d'une panne de courant et tant que le prochain cycle n'est pas en marche.



# Cycles, options et témoins lumineux

## Delay (Démarrage différé)

L'option **Delay** peut être utilisée pour mettre le cycle automatiquement en marche, plus tard, pour réduire l'accumulation de chaleur pendant la journée dans la maison, ou pour bénéficier de coûts énergétiques réduits, si ceci est disponible dans la région. Cette option est aussi utile pour conserver l'eau chaude, à des périodes d'utilisation domestique élevée (douches, lessive).

### Réglage d'un démarrage Différé :

1. Sélectionner le cycle et les options appropriées pour la charge. Fermer la porte.
2. Appuyer sur la touche **Delay** et sélectionner la durée d'attente souhaitée.
3. Le témoin lumineux Delay et l'affichage du compte à rebours (certains modèles) clignoteront jusqu'à ce que l'on appuie sur la touche **START/Cancel (MISE EN MARCHÉ/ Annulation)**.
4. Une fois que l'on a appuyé sur la touche **START/Cancel**, le témoin lumineux s'arrête de clignoter et le compte à rebours commence. Le témoin lumineux Delay restera allumé jusqu'à la fin du compte à rebours.
5. Le cycle commencera automatiquement à l'expiration du délai d'attente.

### Remarque

- Si trente secondes s'écoulent entre un réglage du cycle et des options et une pression sur la touche **START/Cancel**, le lave-vaisselle se mettra à l'arrêt.

### Annulation d'un démarrage différé :

Lors du compte à rebours, appuyer sur la touche **Delay** de nouveau. Le témoin lumineux s'éteindra et le cycle commencera ou reprendra immédiatement.

### Annulation d'un démarrage différé et d'un cycle :

- Appuyer une fois sur la touche **START/Cancel** pour évacuer l'eau et arrêter le lave-vaisselle.

Ou

- Appuyer deux fois sur la touche **START/Cancel** pour arrêter le lave-vaisselle sans évacuer l'eau.

## Verrouillage de commandes (certains modèles)

Les touches de commande peuvent être verrouillées pour empêcher toute utilisation non autorisée. Si cette fonction est activée entre les cycles, le lave-vaisselle ne peut pas être utilisé jusqu'au déverrouillage des commandes. Au besoin, les commandes peuvent être verrouillées après le démarrage d'un cycle ou d'un départ différé.

### Réglage du verrouillage des commandes :

1. Appuyer sur la touche **Heated Dry (Séchage avec chaleur)** pendant trois secondes.
2. Un témoin lumineux situé à côté de l'icône de verrouillage s'allume lorsque les commandes sont verrouillées.

### Annulation :

1. Appuyer sur la touche **Heated Dry** pendant trois secondes.
2. Le témoin lumineux s'éteint.

### Remarques

- Si l'on appuie sur la touche d'un cycle ou d'une option après le verrouillage des commandes, le témoin lumineux situé à côté de l'icône de verrouillage clignotera cinq fois. Sur certains modèles avec l'affichage du compte à rebours, un « L » clignote à l'affichage en même temps que le témoin lumineux de verrouillage.
- Cette option ne verrouille pas la porte, uniquement les commandes du lave-vaisselle.



# Entretien et nettoyage

## Recommandations d'ordre général

- L'intérieur du lave-vaisselle est normalement autonettoyant. Vérifier périodiquement le fond de la cuve du lave-vaisselle pour voir si des résidus importants ne sont pas passés à travers le filtre.
- Nettoyer le bord de la doublure intérieure de la porte pour enlever toutes les éclaboussures de nourriture qui se seraient produites au cours du chargement.
- Toujours nettoyer dans le sens de la texture de l'acier inoxydable. **Ne pas** utiliser de produits contenant du javellisant ou de l'acide citrique.
- La couleur de certains aliments à base de tomate peut parfois adhérer à certains composants à l'intérieur du lave-vaisselle et provoquer une décoloration temporaire.

### Pour réduire cet effet :

- Enlever l'excès d'aliments à base de tomate, de la vaisselle, avant de la mettre au lave-vaisselle.
- Utiliser le cycle Heavy Wash (Lavage intense) pour de la vaisselle contenant des aliments à base de tomate.
- S'assurer d'utiliser un détergent pour lave-vaisselle qui contient du chlore pour un meilleur détachage.

EMPLACEMENT	NIVEAU DE SALETÉ	TRAITEMENT
Extérieur standard	Légère à modérée	Linge souple et humide et produit de nettoyage liquide à pulvériser. <b>Ne pas</b> utiliser de poudres abrasives ou de tampons de nettoyage.
Extérieur en acier inoxydable (certains modèles)	Lavage quotidien et saleté légère	Linge souple ou éponge et un des produits suivants : <ul style="list-style-type: none"> <li>• Détergent doux et eau</li> <li>• Solution de vinaigre blanc et d'eau</li> <li>• Produit de nettoyage pour verre et surface formule 409* ou produit semblable multi-surfaces.</li> <li>• <b>Ne pas</b> utiliser de produits contenant du javellisant ou de l'acide citrique.</li> </ul> Faire suivre par un rinçage et un séchage.
	Modérée à importante	Linge souple ou éponge humidifiée et Bon Ami*. Faire suivre par un rinçage et un séchage.
	Traces de doigt ou marques / brillant à restaurer	Linge souple et produit à pulvériser Stainless Steel Magic**.
	Décoloration	Linge souple ou éponge humidifiée et produit de nettoyage Cameo Stainless Steel Cleaner*. Rincer immédiatement et sécher.
Intérieur	Légère à modérée	Linge souple ou éponge humide.
	Décoloration ou taches à base de tomate	Passer du détergent pour lave-vaisselle à un produit à base de chlore.

\*Les noms de marque sont les marques de commerce des fabricants respectifs.

\*\*Composer le 1-877-232-6771 É.U. et 1-800-688-8408 au Canada pour une commande.

## Rangement/déplacement

Remplir le godet de détergent avec un détergent rafraîchissant pour lave-vaisselle ou du bicarbonate de soude et sélectionner le cycle **Normal Wash (Lavage normal)**. Attendre la fin du cycle du lave-vaisselle. Fermer ensuite l'arrivée d'eau et laisser le lave-vaisselle évacuer l'eau. Pour vidanger : appuyer sur la touche **START/Cancel (MISE EN MARCHÉ/Annulation)** une fois, pour mettre en marche le lave-vaisselle. Appuyer sur cette touche de nouveau pour mettre en marche

l'évacuation. Répéter deux fois l'opération d'évacuation pour s'assurer que la plus grande partie de l'eau a été évacuée. Enfin, débrancher le lave-vaisselle et ouvrir la porte.

Lorsque l'on coupe l'alimentation en eau de la maison, il faut également couper l'alimentation en eau du lave-vaisselle.

# Dépannage

## VÉRIFIER LES POINTS SUIVANTS POUR ÉCONOMISER TEMPS ET ARGENT.

PROBLÈME	SOLUTION
<b>Le lave-vaisselle ne se remplit pas</b>	<ul style="list-style-type: none"> <li>Appuyer sur <b>START/Cancel (MISE EN MARCHÉ/Annulation)</b> pour mettre le lave-vaisselle en marche.</li> <li>S'assurer que la porte est correctement fermée.</li> <li>S'assurer que le robinet d'eau est ouvert.</li> <li>Vérifier que la touche est correctement sélectionnée pour un cycle.</li> <li>Vérifier les fusibles ou disjoncteurs de l'habitation.</li> <li>Vérifier que le tuyau d'arrivée d'eau n'est pas entortillé.</li> <li>Vérifier qu'il n'y a pas de dépôt à la soupape d'arrivée d'eau et la nettoyer si nécessaire.</li> </ul>
<b>Le lave-vaisselle n'évacue pas l'eau/Eau dans le bas de la cuve</b>	<ul style="list-style-type: none"> <li>Si le lave-vaisselle est raccordé à un broyeur à déchets, s'assurer que l'opercule défonçable a été enlevé de l'arrivée d'eau du broyeur.</li> <li>Vérifier qu'il n'y a aucune obstruction de nourriture dans le tuyau d'évacuation ou le broyeur.</li> <li>Vérifier que le tuyau d'évacuation n'est pas entortillé.</li> <li>Vérifier les fusibles ou disjoncteurs de l'habitation.</li> <li>Vérifier que le cycle est terminé.</li> </ul>
<b>Le lave-vaisselle ajoute de l'eau à la fin du cycle</b>	<ul style="list-style-type: none"> <li>C'est normal. Le capteur (certains modèles) de la pompe doit rester sous l'eau, un léger remplissage d'eau est donc ajouté après la dernière évacuation du cycle.</li> </ul>
<b>Le godet à détergent n'est pas vide</b>	<ul style="list-style-type: none"> <li>Vérifier que le cycle est terminé.</li> <li>S'assurer que le distributeur n'est pas bloqué.</li> <li>Utiliser un détergent non périmé, entreposé dans un endroit frais et sec.</li> </ul>
<b>Le lave-vaisselle semble bruyant</b>	<ul style="list-style-type: none"> <li>Il est normal d'entendre un sifflement de la soupape d'eau durant le remplissage.</li> <li>Des bruits de circulation d'eau sont normaux.</li> <li>Un bruit sourd peut être un bras de lavage heurtant un article qui dépasse des paniers. Redisposer la vaisselle pour qu'elle ne gêne pas le bras de lavage.</li> <li>Des craquements et des grincements peuvent se faire entendre lorsque la lame interne du broyeur coupe des produits durs, comme des noyaux, des noix, etc.</li> <li>Un bourdonnement est normal au cours de l'évacuation.</li> <li>Un bruit de claquement est normal lorsque le couvercle du godet à détergent frappe la doublure de porte lorsque la porte du lave-vaisselle est ouverte à la fin du cycle.</li> <li>Une installation appropriée peut diminuer le niveau de bruit.</li> </ul>
<b>Cycle trop long (le témoin lumineux Chauffage supplémentaire reste allumé [certains modèles])</b>	<ul style="list-style-type: none"> <li>Les touches <b>Hi Temp Wash (Lavage à haute)</b> ou <b>Sanitize (Lavage sanitaire)</b> (certains modèles) ont été sélectionnées et le cycle est prolongé pour chauffer l'eau.</li> <li>Vérifier que la température d'arrivée d'eau est de 49 °C (120 °F).</li> </ul>
<b>Le lave-vaisselle dégage une odeur</b>	<ul style="list-style-type: none"> <li>Lancer un cycle Rinse Only (Rinçage seulement) (certains modèles) si on laisse de la vaisselle dans le lave-vaisselle.</li> <li>De nombreux lave-vaisselle dégagent une odeur de neuf lorsqu'ils sont installés pour la première fois. Cette odeur se dissipe avec l'utilisation.</li> <li>Il se peut que le lave-vaisselle n'évacue pas l'eau correctement. (Voir la section « Le Lave-vaisselle n'évacue pas l'eau ».)</li> <li>En cas d'odeur forte, mettre du bicarbonate de soude des deux côtés du godet de détergent. Sélectionner <b>Quick Wash (Lavage rapide)</b> et laisser circuler l'eau pendant environ 10 minutes. Interrompre le cycle en déverrouillant la porte et en la laissant ouverte pendant la nuit. Remettre le lave-vaisselle en marche en refermant la porte et en le laissant terminer le cycle. On peut aussi utiliser un produit de nettoyage de lave-vaisselle tel que le nettoyant Jet-Dry*.</li> </ul>
<b>Le lave-vaisselle fuit</b>	<ul style="list-style-type: none"> <li>Vérifier que le lave-vaisselle est de niveau. (Se reporter aux instructions d'installation.)</li> <li>De la mousse peut déborder du lave-vaisselle. Mesurer soigneusement la quantité de détergent et utiliser seulement des détergents conçus pour lave-vaisselle. Il faut moins de détergent dans de l'eau douce. Si la mousse subsiste, essayer une autre marque.</li> <li>Suivre soigneusement le mode d'emploi concernant l'ajout d'un article oublié (page 19).</li> <li>Pour éviter toute fuite d'agent de rinçage du distributeur, s'assurer que le couvercle est correctement fermé.</li> </ul>

\*Les noms de marque sont les marques de commerce des fabricants respectifs.

Suite...

PROBLÈME	SOLUTION
<b>La durée affichée augmente ou diminue rapidement de plusieurs minutes (certains modèles)</b>	<ul style="list-style-type: none"> <li>C'est normal lorsqu'un cycle <b>Auto Wash (Lavage automatique)</b> (certains modèles) ou <b>Normal Wash (Lavage normal)</b> est sélectionné et que le lave-vaisselle décide de passer ou d'ajouter une évacuation ou un remplissage.</li> </ul>
<b>Clignotement des témoins lumineux</b>	<ul style="list-style-type: none"> <li>L'affichage du compte à rebours (certains modèles) clignote après la sélection du cycle et jusqu'à ce que l'on appuie sur la touche <b>START/Cancel (MISE EN MARCHÉ/Annulation)</b>.</li> <li>L'affichage du compte à rebours (certains modèles) et le témoin lumineux de démarrage différé clignotent après la sélection d'une <b>DELAY (durée de démarrage)</b> différé et jusqu'à ce que l'on appuie sur la touche <b>START/Cancel</b>.</li> <li>Tous les témoins lumineux actifs de l'affichage clignotent si la porte est ouverte pendant un cycle ou un démarrage différé en cours.</li> <li>Le témoin du cycle sélectionné clignote si l'on essaie de modifier le cycle après un verrouillage des commandes.</li> <li>Le témoin lumineux de verrouillage clignote et le compte à rebours (certains modèles) affiche un « L » si l'on appuie sur une touche quand les commandes sont verrouillées.</li> </ul>
<b>Les verres sont ternes/tachetés</b>	<ul style="list-style-type: none"> <li>Sélectionnez le <b>Hi Temp Wash (Lavage à haute)</b> température.</li> <li>Vérifier la température de l'eau. La température d'arrivée d'eau doit se trouver entre 49 °C (120 °F).</li> <li>Toujours utiliser un agent de rinçage.</li> <li>S'assurer que le dépôt terne peut être enlevé en faisant tremper l'article dans du vinaigre blanc pendant environ 5 minutes. Si c'est le cas, le problème est dû à de l'eau dure. Régler la quantité de détergent à utiliser pour correspondre à la dureté de l'eau (page 22). S'assurer que le détergent est non périmé, correctement rangé et de haute qualité.</li> <li>Si on ne peut pas enlever la couche terne, cela étant le résultat d'une attaque chimique. Une érosion de la surface du verre est peut-être causée par l'eau trop chaude, par l'utilisation d'une quantité excessive de détergent ou par un pré-lavage. Pour agir, le détergent a besoin de saleté. Si une attaque chimique se produit, le verre est endommagé en permanence. Pour éviter toute attaque future, ajuster la quantité de détergent pour qu'elle corresponde à la dureté de l'eau, arrêter le pré-lavage et n'utiliser les options de chauffage de l'eau que lorsque la température d'arrivée d'eau est inférieure à 49 °C (120 °F).</li> </ul>
<b>De la saleté reste sur la vaisselle</b>	<ul style="list-style-type: none"> <li>Vérifier la température de l'eau. La température d'arrivée d'eau doit se trouver entre 49 °C (120 °F).</li> <li>Laisser couler de l'eau chaude dans un évier avant de mettre le lave-vaisselle en marche.</li> <li>Sélectionnez le <b>Hi Temp Wash</b> température.</li> <li>Vérifier la dureté de l'eau et régler la quantité de détergent en conséquence (page 22).</li> <li>Utiliser un détergent non périmé, rangé dans un endroit frais et sec.</li> <li>Sélectionner le cycle approprié au niveau de saleté (page 23).</li> <li>S'assurer que le connecteur du bras de lavage du panier supérieur est correctement aligné avec un des orifices d'arrivée d'eau (page 21).</li> <li>Loger les articles pour qu'ils ne bloquent pas les bras du lave-vaisselle (pages 20-21)</li> <li>Dans le panier à couverts, loger les couteaux avec le manche vers le haut et les cuillères et fourchettes avec le manche vers le bas.</li> <li>Ne pas placer les verres sur les tiges.</li> <li>Avant le chargement, nettoyer les résidus de nourriture et le dépôt provenant de l'utilisation des ustensiles avec des pâtes, du riz et de la farine d'avoine. Il faut plus d'énergie pour nettoyer ce type de résidu que le reste de la charge.</li> </ul>

\*Les noms de marque sont les marques de commerce des fabricants respectifs.

Suite...

# Dépannage

PROBLÈME	SOLUTION
<p><b>Les articles lavés dans le lave-vaisselle (ou la cuve du lave-vaisselle elle-même) sont tachés/décolorés</b></p>	<ul style="list-style-type: none"> <li>• Les ustensiles ou les marmites en aluminium peuvent laisser des marques lorsqu'elles touchent d'autres articles. Laisser un espace entre ces articles.</li> <li>• Des dépôts de fer dans l'eau peuvent laisser un film jaune, orange ou brun sur la vaisselle ou la cuve du lave-vaisselle. Un filtre peut être nécessaire. Vérifier avec votre compagnie d'approvisionnement en eau.</li> <li>• Séparer l'argenterie ou l'argenterie plaquée de l'acier inoxydable. Ces métaux peuvent être endommagés par contact avec l'un l'autre pendant le lavage.</li> <li>• Les sauces à base de tomate peuvent colorer la cuve (page 27). Si la tache est légère, laisser la porte ouverte pour oxyder la tache. Utiliser un détergent qui contient du chlore pour mieux combattre les taches.</li> <li>• Certains détergents de lave-vaisselle peuvent tacher l'argent. Essayer une autre marque de détergent.</li> </ul>
<p><b>Articles incorrectement séchés/présence d'humidité à l'intérieur du lave-vaisselle après le cycle de séchage</b></p>	<ul style="list-style-type: none"> <li>• S'assurer que l'option <b>Heated Dry (Séchage à chaud)</b> est sélectionnée.</li> <li>• Des gouttes d'eau peuvent se former sur la porte intérieure au cours du processus de séchage.</li> <li>• Utiliser régulièrement un agent de rinçage tel que Jet Dry* ou Cascade*. Pour améliorer le séchage, placer le sélecteur d'agent de rinçage à la position « MAX ».</li> <li>• Vérifier la température de l'eau. La température d'arrivée d'eau doit se trouver entre 49 °C (120 °F).</li> <li>• Sélectionner l'option <b>Sanitize (Sanitaire)</b> et/ou <b>Hi Temp Wash (Lavage à haute)</b> (certains modèles).</li> <li>• Augmenter la quantité de détergent pour correspondre à la dureté de l'eau (page 22).</li> <li>• Loger les articles correctement (pages 20-21).</li> <li>• Les articles en plastique et ceux à surface non adhérente sont difficiles à sécher parce qu'ils comportent une surface poreuse qui tend à conserver des gouttes d'eau. Il pourrait être nécessaire de les sécher à la main.</li> <li>• Les verres et les tasses avec un fond concave retiennent l'eau et nécessitent un séchage à la main. Placer ces articles sur le côté incliné du panier pour améliorer les résultats.</li> </ul>
<p><b>Vaisselle ébréchée</b></p>	<ul style="list-style-type: none"> <li>• Loger la vaisselle en fonction des instructions pour que les articles ne se touchent pas (page 20-21).</li> <li>• Le lavage de cristal ou de porcelaine fine dans le lave-vaisselle n'est pas recommandé.</li> <li>• Ne pas placer de verres sur les tiges.</li> <li>• Ne pas surcharger le lave-vaisselle.</li> </ul>
<p><b>Le témoin lumineux Sanitized (Lavage sanitaire) ne s'allume pas à la fin du cycle (certains modèles)</b></p>	<ul style="list-style-type: none"> <li>• L'option <b>Sanitize n'a pas</b> été sélectionnée.</li> <li>• Le lavage sanitaire ne peut être effectué uniquement qu'avec les cycles Auto Wash (Lavage automatique) (certains modèles), Heavy Wash (Lavage intense), Normal Wash (Lavage normal) ou Quick Wash (Lavage rapide).</li> <li>• Le lavage assainissant peut ne pas avoir lieu en cas d'interruption du cycle, de panne de courant ou si la température d'arrivée d'eau est inférieure à 49 °C (120 °F).</li> </ul>

\*Les noms de marque sont les marques de commerce des fabricants respectifs.



# Garantie et Service

## Garantie

### Garantie limitée d'un an - pièces et main-d'œuvre

Durant une période d'un (1) an à compter de la date de l'achat initial, toute pièce qui se révélerait défectueuse dans les conditions normales d'usage ménager sera réparée ou remplacée gratuitement.

### Résidents du Canada

Les garanties ci-dessus couvrent un appareil installé au Canada seulement s'il a été agréé par les agences de test habilitées (vérification de la conformité à une norme nationale du Canada), sauf si l'appareil a été introduit au Canada à l'occasion d'un changement de résidence des États-Unis vers le Canada.

*Les garanties spécifiques formulées ci-dessus sont les **SEULES** que le fabricant accorde. Ces garanties vous confèrent des droits juridiques spécifiques et vous pouvez également jouir d'autres droits, variables d'un État à l'autre ou d'une province à l'autre.*

LE SEUL ET UNIQUE RECOURS DU CLIENT EN VERTU DE CETTE GARANTIE LIMITÉE EST LA RÉPARATION DU PRODUIT COMME DÉCRITE PRÉCÉDEMMENT. LES GARANTIES IMPLICITES, Y COMPRIS LES GARANTIES DE QUALITÉ MARCHANDE OU D'ADAPTATION À UN USAGE PARTICULIER, SONT LIMITÉES À UN AN OU À LA PÉRIODE LA PLUS COURTE PERMISE PAR LA LOI. MAYTAG CORPORATION NE SERA PAS TENUE RESPONSABLE DES DOMMAGES DIRECTS OU INDIRECTS. CERTAINS ÉTATS ET CERTAINES PROVINCES INTERDISSENT L'EXCLUSION ET LA LIMITATION DES DOMMAGES DIRECTS OU INDIRECTS AINSI QUE LES LIMITATIONS SUR LA DURÉE DES GARANTIES IMPLICITES DE QUALITÉ MARCHANDE OU D'ADAPTATION À UN USAGE PARTICULIER. IL EST DONC POSSIBLE QUE CES LIMITATIONS NE S'APPLIQUENT PAS À VOUS. CETTE GARANTIE VOUS CONFÈRE DES DROITS JURIDIQUES SPÉCIFIQUES ET IL SE PEUT QUE VOUS AYIEZ D'AUTRES DROITS, QUI VARIENT D'UN ÉTAT À L'AUTRE OU D'UNE PROVINCE À L'AUTRE.

## Ne sont pas couverts par ces garanties

1. Les problèmes et dommages résultant des situations suivantes :
  - a. Mise en service, livraison ou entretien effectués incorrectement.
  - b. Toute réparation, modification, altération et tout réglage non autorisés par le fabricant ou par un prestataire de service après-vente agréé.
  - c. Mauvais emploi, emploi abusif, accidents, usage non raisonnable, ou catastrophe naturelle.
  - d. Courant électrique, tension, alimentation électrique ou en gaz incorrects.
  - e. Réglage incorrect d'une commande.
2. Les garanties ne peuvent être honorées si les numéros de série d'origine ont été enlevés, modifiés ou ne sont pas facilement lisibles.
3. Ampoules, filtres à eau et filtres à air.
4. Les produits achetés à des fins commerciales ou industrielles.
5. Les frais de dépannage ou de visite pour :
  - a. Correction d'erreurs de mise en service. Pour les produits nécessitant une ventilation, un conduit métallique rigide doit être utilisé.
  - b. Initiation de l'utilisateur à l'emploi de l'appareil.
  - c. Transport de l'appareil chez le réparateur et retour de l'appareil chez l'utilisateur.
6. Tout aliment perdu en raison de pannes du réfrigérateur ou du congélateur.
7. Dépenses de déplacement et de transport pour la réparation du produit dans des endroits éloignés.
8. Cette garantie n'est pas valide à l'extérieur des États-Unis et du Canada. Communiquez avec votre détaillant pour savoir si une autre garantie s'applique.
9. Dommages indirects ou accessoires subis par toute personne à la suite d'une quelconque violation des garanties. Certains États ou provinces ne permettent pas l'exclusion ou la limitation de responsabilité en ce qui concerne les dommages directs ou indirects. L'exclusion ci-dessus peut en conséquence ne pas s'appliquer à votre cas.

## Si vous avez besoin d'aide

Consultez d'abord la section sur le dépannage dans le manuel d'utilisation et d'entretien, puis appelez le détaillant de qui vous avez acheté votre appareil ou le service à la clientèle de Maytag Services, LLC au 1-800-688-9900 aux États-Unis et au 1-800-688-2002 au Canada pour savoir où trouver un réparateur autorisé.

- Veuillez à conserver la facture d'achat pour justifier de la validité de la garantie. Pour d'autres renseignements concernant les responsabilités du propriétaire à l'égard du service sous garantie, voir le texte de la GARANTIE.
- Si le détaillant ou l'agence de service après-vente ne peut résoudre le problème, écrivez à Maytag Services, LLC à l'adresse suivante : CAIR® Center, P.O. Box 2370, Cleveland, TN 37320-2370 États-Unis, ou appelez au **1-800-688-9900 aux États-Unis ou au 1-800-688-2002 au Canada.**
- Les guides d'utilisation, les manuels de service et les renseignements sur les pièces sont disponibles auprès du service à la clientèle de Maytag Services, LLC.

**Remarques :** Veuillez à fournir l'information suivante lorsque vous communiquez avec nous au sujet d'un problème :

- a. Vos nom, adresse et numéro de téléphone;
- b. Numéro de modèle et numéro de série de l'appareil;
- c. Nom et adresse du détaillant avec la date l'appareil acheté;
- d. Description détaillée du problème observé;
- e. Preuve d'achat (facture de vente).

# Amana®

ADB-2

## Lavavajillas

### Guía de Uso y Cuidado



Seguridad ..... 33



Lo Que Puede y No Puede  
ser Lavado ..... 34



Sugerencias de  
Funcionamiento ..... 35



Carga del Lavavajillas ..... 36-37



Uso del Lavavajillas ..... 38



Ciclos, Opciones  
y Luces ..... 39-42



Cuidado y Limpieza ..... 43



Localización y Solución  
de Averías ..... 44-46



Garantía y  
Servicio ..... Última Página



**Instalador:** Por favor deje este manual junto con el electrodoméstico.

**Consumidor:** Por favor lea y conserve este manual para referencia futura. Conserve el recibo de compra y/o el cheque cancelado como comprobante de compra.

Número de Modelo \_\_\_\_\_

Número de Serie \_\_\_\_\_

Fecha de Compra \_\_\_\_\_

Si tiene preguntas, llame al:

1-800-688-9900 EE. UU. y 1-800-688-2002 CANADÁ  
(Lunes a Viernes, 8:00 a.m. - 8:00 p.m. Hora del Este)  
Internet: <http://www.amana.com>

En nuestro continuo afán de mejorar la calidad de nuestros electrodomésticos, puede que sea necesario modificar el electrodoméstico sin actualizar esta guía.

**Para información sobre servicio, ver la última página.**



## Seguridad

### Lo que necesita saber sobre las instrucciones de seguridad

Las advertencias e instrucciones importantes sobre seguridad que aparecen en este manual no están destinadas a cubrir todas las posibles circunstancias y situaciones que puedan ocurrir. Se debe ejercer sentido común, precaución y cuidado cuando instale, realice mantenimiento o haga funcionar el lavavajillas.

Siempre póngase en contacto con su fabricante si surgen problemas o situaciones que usted no comprenda.

### Reconozca los Símbolos, Advertencias y Etiquetas de Seguridad

#### **ADVERTENCIA**

**ADVERTENCIA** – Peligros o prácticas no seguras que **PODRÍAN** causar lesión personal grave o mortal.


#### **PRECAUCIÓN**

**PRECAUCIÓN** – Peligros o prácticas no seguras que **PODRÍAN** causar lesiones personales menores o daños al producto.

### Instrucciones Importantes de Seguridad

#### **ADVERTENCIA**

**Verifique con el instalador para asegurarse de que el electrodoméstico ha sido puesto a tierra en forma debida a fin de evitar posible choque eléctrico. asegúrese de leer la instrucciones importantes sobre seguridad antes de usar este lavavajillas.**

Los productos que tienen la etiqueta  han sido aprobados por Underwriter's Laboratories, Inc. - aquellos que tienen la etiqueta de la CSA han sido aprobador por la Asociación de Normas Canadienses. Sin embargo, al igual que con cualquier otro equipo que usa electricidad y piezas móviles, siempre existe un riesgo potencial.

#### **ADVERTENCIA**

**Cuando use su lavavajillas, siga las precauciones básicas, incluyendo las siguientes:**

1. Lea todas las instrucciones antes de usar el lavavajillas.
2. Use el lavavajillas solamente para la función a que fue destinado.
3. Desenchufe el lavavajillas antes de efectuar cualquier reparación.
4. Para evitar el peligro de choque eléctrico, los costados y la parte trasera debe estar encerrada y los paneles delanteros deben estar instalados antes de enchufar el lavavajillas. Consulte las instrucciones de instalación para los procedimientos apropiados de puesta a tierra.
5. A fin de evitar sobrecarga eléctrica, conecte el lavavajillas a un circuito de suministro eléctrico debidamente protegido y de capacidad suficiente.
6. No se debe permitir que los niños hagan funcionar o jueguen en el lavavajillas o alrededor del mismo.
7. A fin de reducir el riesgo de sufrir una lesión cuando se está cargando el lavavajillas, los artículos puntiagudos o afilados deben colocarse con los mangos hacia arriba. Además, coloque los artículos afilados de modo que no vayan a dañar la junta de la puerta.
8. No toque el elemento calefactor que se encuentra en el fondo de la tina durante o al término de un ciclo, pues estará caliente.
9. Use solamente detergentes y aditivos de enjuague diseñados exclusivamente para uso en lavavajillas domésticos automáticos. Nunca use en el lavavajillas jabón, detergente para lavar ropa ni detergente de lavar a mano. Mantenga estos productos fuera del alcance de los niños.
10. No se siente, ni se pare o haga uso abusivo de la puerta o de los soportes de los platos del lavavajillas.
11. Bajo ciertas condiciones, se puede producir gas hidrógeno en un sistema de agua caliente que no ha sido usado durante dos semanas o más. **El hidrógeno es un gas explosivo.** Si el sistema del agua caliente no ha sido usado durante tal período, abra todas las llaves del agua caliente y deje que el agua escurra durante varios minutos para hacer salir el gas hidrógeno acumulado. Debido a que el gas es inflamable, no fume ni use una llama abierta durante este proceso.
12. No lave artículos de plástico a menos que estén marcados "resistentes al lavavajillas" o algo similar. Para los artículos de plásticos que no estén marcados, verifique las recomendaciones del fabricante.
13. No altere los controles.
14. A fin de evitar los riesgos de que los niños queden atrapados o se afijen dentro del lavavajillas, siempre retire la puerta del compartimiento del lavado cuando descarte o ponga fuera de servicio un lavavajillas antiguo.
15. Tenga cuidado cuando esté sacando la vajilla limpia del lavavajillas. Los platos pueden estar calientes si lo hace inmediatamente después de haberse completado el ciclo.
16. Los lavavajillas de uso doméstico no han sido diseñados para uso en restaurantes.
17. Para evitar daños causados por agua o moho, verifique las conexiones de las mangueras de admisión y drenaje con frecuencia para asegurarse de que no haya escapes.

## Conserve estas Instrucciones para Referencia Futura



# Lo Que Puede y No Puede Ser Lavado

La mayoría de los servicios de mesa, utensilios de cocina y cubiertos pueden ser lavados en el lavavajillas. Consulte con el fabricante.

<b>MATERIAL</b>	<b>¿RESISTENTE AL LAVAVAJILLAS?</b>	<b>INFORMACION ESPECIAL</b>
<b>Aluminio</b>	Sí, excepto cuando es aluminio anodizado.	El agua caliente y los detergentes pueden afectar el acabado.
<b>Hierro Fundido</b>	No	Se deteriorará el templado y el hierro se oxidará.
<b>Loza/Cerámica</b>	Sí, excepto si es una antigüedad o está pintada a mano.	Siempre siga las recomendaciones del fabricante antes de lavar. Las antigüedades pintadas a mano o los motivos en esmalte se descolorarán. Los adornos en hoja de oro se descolorarán.
<b>Cristal</b>	Sí, excepto si es una anti-güedad o cristal delicado.	Siempre siga las recomendaciones del fabricante antes de lavar. Algunos tipos de cristales emplomados pueden marcarse si se lavan con frecuencia.
<b>Filtros</b>	No se recomienda.	Pueden dejar un depósito negrozco o manchar el interior del lavavajillas.
<b>Vidrio</b>	Sí	Un tipo de vidrio especial llamado 'vidrio lechoso' puede ponerse amarillo si se lava continuamente en el lavavajillas.
<b>Platos enchapados en oro</b>	No	Se descolorarán.
<b>Peltre, Estaño</b>	No	
<b>Plásticos</b>	Sí, en la rejilla superior; excepto los artículos de plástico desechables.	Siempre siga la recomendación del fabricante antes de lavar. Los plásticos varían en su capacidad para soportar el agua caliente y los detergentes. Por esta razón, los artículos de plástico desechables no son resistentes al lavavajillas.
<b>Acero Inoxidable</b>	Sí	Si no lo va a lavar inmediatamente, use un ciclo 'Rinse Only' (Enjuague Solamente) (modelos selectos). El contacto prolongado con alimentos que contengan sal, vinagre, productos lácteos o jugos pueden dañar el acabado.
<b>Plata de Ley o Metal Plateado</b>	No, si tiene "oscurecimiento" comercial.	Siempre siga la recomendación del fabricante antes de lavar. Si no lo va a lavar inmediatamente, use un ciclo 'Rinse Only' (modelos selectos). El contacto prolongado con alimentos que contengan sal, ácido o sulfuro (huevos, mayonesa y mariscos) pueden dañar el acabado. El "oscurecimiento" comercial puede ser quitado con detergente.
<b>Artículos de Madera</b>	No	La madera puede combarse, agrietarse o perder su color.



# Sugerencias de Funcionamiento

## Antes de Comenzar

- **No enjuague los platos antes de colocarlos en el lavavajillas. Solamente retire los huesos y los restos de alimentos grandes.**
- Si el lavavajillas está conectado a un triturador de desperdicios, **asegúrese de que el triturador esté vacío antes de poner en marcha el lavavajillas.**
- **Limpie las manchas de alimentos a base de tomates** (ver página 43).
- **Retire los restos de ciertos alimentos** (tales como mostaza, mayonesa, jugo de limón, vinagre, sal o aderezos) **de los cubiertos de acero inoxidable tan pronto como sea posible.** Estos alimentos pueden causar oxidación y picaduras si se dejan en contacto con la superficie por un período de tiempo prolongado.

## Funcionamiento del Lavavajillas

1. Después de colocar los artículos en el lavavajillas y agregar el detergente, seleccione el ciclo y las opciones deseadas oprimiendo las teclas correspondientes. Se iluminarán las luces indicadoras del ciclo y de las opciones seleccionadas. Para cancelar una opción, oprima nuevamente la tecla de la opción.
2. Para comenzar un ciclo, cierre la puerta con seguro y luego oprima una vez la tecla **'START/Cancel'** (**PUESTA EN MARCHA/ Cancelar**). Después de una pausa, el lavavajillas se comenzará a llenar. La cuenta regresiva desplegada (modelos selectos) comenzará a destellar hasta que se oprima **'START/Cancel'**.

### Nota

- Si no se oprime **'START/Cancel'** dentro de 30 segundos de haber seleccionado el ciclo, el lavavajillas se apagará.

El lavavajillas recuerda el último ciclo usado, por lo tanto no debe programar el ciclo cada vez. Para poner en marcha el lavavajillas usando el mismo ciclo y las mismas opciones seleccionadas en un lavado anterior, simplemente oprima la tecla **'START/Cancel'**.

3. Para cancelar un ciclo en curso, oprima una vez la tecla **'START/Cancel'**. El lavavajillas se desaguará y luego se apagará. Para apagar el lavavajillas sin desagüe, oprima dos veces la tecla **'START/Cancel'**. Para evitar cambios inesperados de ciclo o de opciones, estas selecciones quedan "bloqueadas" después de 1 minuto.

### Nota

- Si se oprime una tecla después que los controles han sido 'bloqueados', la luz situada sobre el ciclo en curso destellará tres veces.

## Como Agregar un Artículo Olvidado

Para una mejor limpieza, el artículo olvidado debe ser agregado a comienzos del ciclo.

1. Sujete la manija de la puerta y desengánchela sin abrirla completamente. Todas las luces destellarán indicando que el ciclo se ha suspendido.
2. Espere que el agua termine de circular.
3. Abra la puerta y agregue el artículo.
4. Cierre bien la puerta. Las luces dejarán de destellar cuando la puerta esté debidamente cerrada. Después de una leve demora, el ciclo se reanuda automáticamente desde el punto de interrupción.

### Notas

- Si se abre la puerta durante el funcionamiento de un ciclo, puede haber una demora de 30 segundos antes de que la lavadora reanude el ciclo después de que se cierra la puerta.
- No se recomienda la interrupción prolongada del ciclo de lavado.



# Carga del Lavavajillas

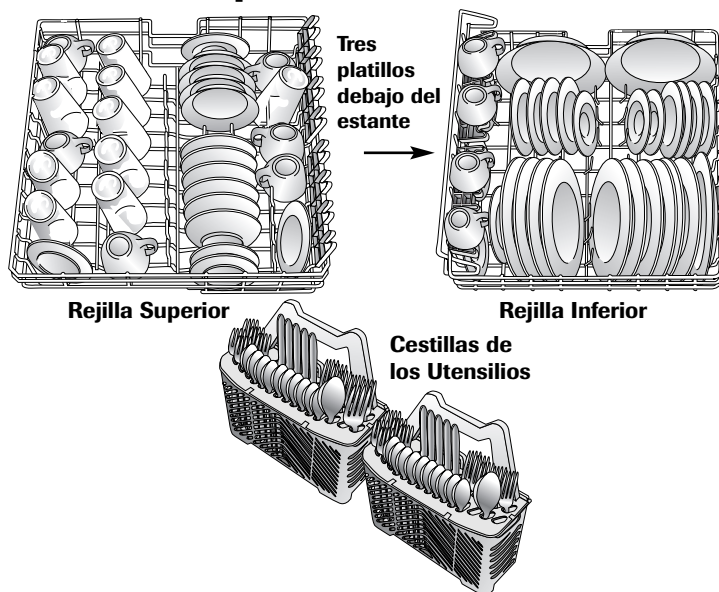
## Recomendaciones Generales

(Las características de las rejillas varían según el modelo)

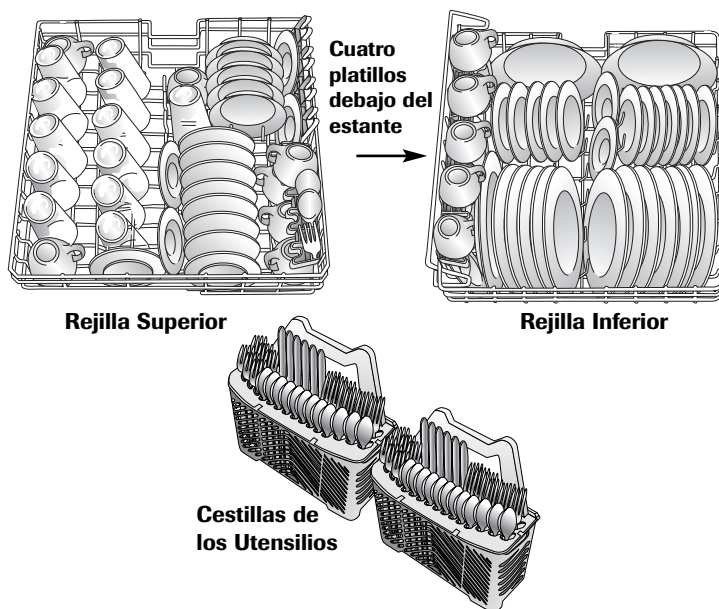
- Los artículos pueden centrarse detrás de un soporte o colocarse en ángulo para aprovechar el espacio.
- Evite bloquear o impedir que los brazos rociadores giren libremente. No deje que los artículos sobresalgan de las rejillas.
- Dirija las superficies sucias de los artículos hacia el centro del lavavajillas.

Para obtener mejores resultados con el lavado de la vajilla, siga estas pautas para determinar cual es la mejor distribución de sus artículos.

## Cubiertos para 10 Personas



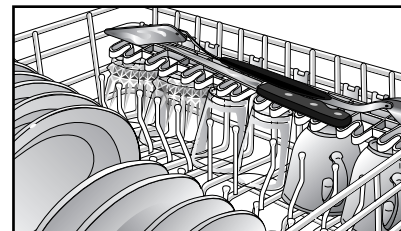
## Cubiertos para 12 Personas



## Rejilla Superior

Los vasos, tazas, copas, plásticos livianos, platos, tazones, ollas, utensilios de mangos largos, etc. no deben ser colocados en esta rejilla. **No coloque los vasos sobre los soportes**

El soporte 'Stack Rack' (modelos selectos) situado en el lado derecho de la rejilla superior puede doblarse hacia arriba o hacia abajo para facilitar la carga de la vajilla. Dóblelo hacia abajo para acomodar los cuchillos de mango largo, espátulas y cucharas o artículos cortos tales como tazas o vasos de jugo. Colóquelo hacia arriba para artículos más altos tales como vasos, tazones, platos, etc.



El borde del soporte 'Stack Rack' (modelos selectos) ha sido diseñado para sujetar las copas en su lugar. Las copas más altas quedarán mejor en el lado derecho pues la rejilla superior es más profunda en ese lado.

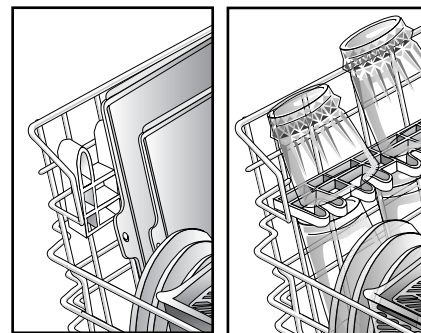
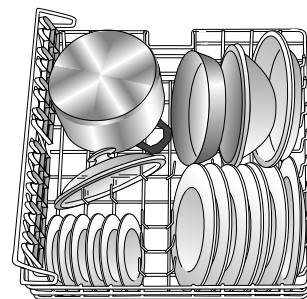


## Rejilla Inferior

En esta rejilla se pueden acomodar una variedad de artículos tal como platos de servir, tazones, ollas y cacerolas y bandejas de hornear.

Los artículos altos, tales como moldes de hornear y bandejas grandes, pueden ser colocadas en el costado izquierdo.

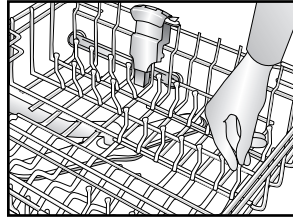
Con el soporte 'Stack-Rack' (modelos selectos) levantado, se pueden colocar artículos delgados como bandejas de hornear o bandejas de pizzas a lo largo del costado izquierdo. Con el soporte hacia abajo, se pueden acomodar dos niveles de vasos y tazas.





# Carga del Lavavajillas

Los Soportes Abatibles (modelos selectos) situados en la esquina delantera derecha proveen espacio conveniente para artículos grandes y voluminosos tales como ollas y cacerolas o tazones grandes.

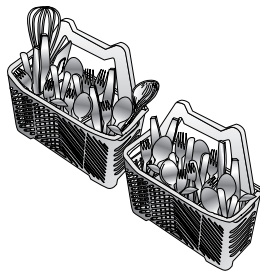


Para bajar los soportes abatibles, empuje cada soporte hacia el centro de la rejilla dejándolos en posición plana.

## Cestas de los Utensilios

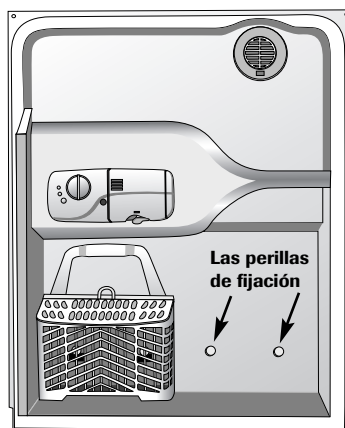
### Cestas de utensilios removibles de la puerta

Para obtener los mejores resultados de la limpieza, evite que los artículos queden juntos colocando algunos de ellos en la cesta con las manijas hacia arriba y otros con las manijas hacia abajo. Coloque los cuchillos con el mango hacia arriba y las cucharas y tenedores con los mangos hacia abajo.



### Para sacar la(s) cesta(s) de la puerta

1. Sostenga la cesta de utensilios por la manija. Deslícela hacia la parte superior de la puerta.
2. Levante la cesta para desengancharla de las perillas de fijación.

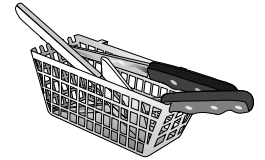


### Para volver a instalar la(s) cesta(s) en la puerta

1. Alinee las rendijas en la parte trasera de la bandeja de utensilios con las perillas en la puerta.
2. Asiente la cesta de utensilios en las perillas de fijación.
3. Deslice la cesta hacia la parte inferior de la puerta hasta que encaje en su lugar.

## Cesta Auxiliar (modelos selectos)

Use esta cesta adicional en la rejilla superior para acomodar artículos misceláneos y utensilios. Este también es un lugar seguro para colocar cuchillos afilados y artículos puntiagudos.

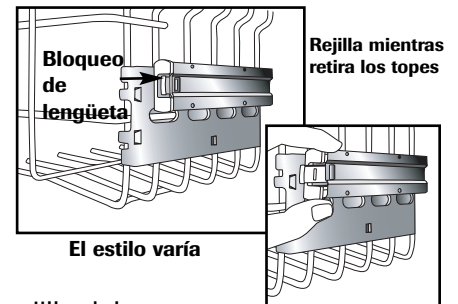


## Desmontaje de la Rejilla Superior

La rejilla superior puede ser retirada cuando sea necesario colocar artículos altos o de gran tamaño en la rejilla inferior. Retire todos los artículos de la rejilla antes de sacarla.

### Para retirar la rejilla con topes de bloqueo de lengüeta (modelos selectos):

1. Saque la rejilla entre 1/3 y 1/2 de su extensión.
2. Ubique los topes de la rejilla al final de cada riel. Apriete la lengüeta en el medio del tope y tire del tope de la rejilla derecho hacia afuera. Tenga cuidado de apoyar la rejilla mientras retira los topes.
3. Saque completamente la rejilla de sus rieles y retírela del lavavajillas.

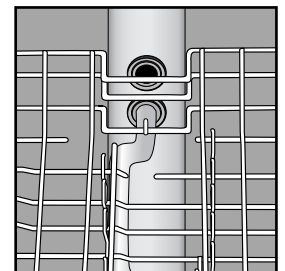


### Para volver a instalar:

1. Vuelva a instalar la rejilla del lavavajillas colocando las ruedas en los rieles.
2. Empuje cada tope de la rejilla directamente hacia adentro del extremo del riel hasta que encaje en el agujero pequeño ubicado en el costado del riel.

## Importante:

**El lavavajillas no funcionará en forma debida si la conexión del brazo rociador instalado en la rejilla no está alineada con uno de los agujeros de entrada del agua en la pared trasera del lavavajillas.**





# Uso del Lavavajillas

## Agua Caliente

Para una limpieza y secado óptimos, es necesario usar agua caliente. La temperatura del agua de entrada debe ser entre 120°F (49°C) para activar bien el detergente y derretir la suciedad de alimentos grasos.

Para verificar la temperatura del agua de entrada, abra la llave del agua caliente más cercana al lavavajillas y recoja agua en un vaso en el fregadero. Coloque un termómetro en el vaso de agua y verifique la temperatura cuando deje de subir.

## Detergente

Use un detergente diseñado específicamente para lavavajillas automáticos. Asegúrese de que esté fresco. Guarde el detergente granulado en un lugar seco y frío (no debajo del fregadero).

## Cantidad Recomendada

Si se usa muy poco detergente se afecta la calidad de la limpieza, quedan manchas y películas del agua dura y el secado es deficiente. Si se usa demasiado detergente se pueden causar rayaduras u opacidad permanente.

La espuma puede hacer que el agua se desborde del lavavajillas. Mida el detergente cuidadosamente y sólo utilice detergentes diseñados para lavavajillas. Use menos cantidad de detergente si usa agua suavizada. Si el exceso de espuma persiste, pruebe usar otra marca de detergente.

La cantidad de detergente que se debe usar depende de la dureza del agua y del nivel de suciedad de la vajilla. Consulte la tabla siguiente para las recomendaciones sobre uso del detergente.

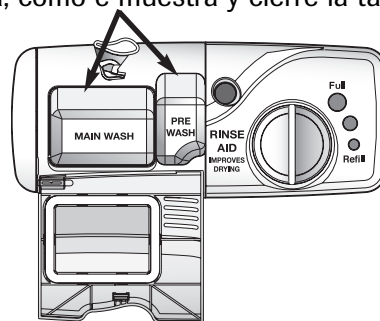
DUREZA DEL AGUA*	NIVEL DE SUCIEDAD	DETERGENTE DEL PRELAVADO	DETERGENTE PRINCIPAL DE LA COLADA
<b>Blanda (0-4 gpg)</b>	Leve	2 cucharaditas	6 cucharaditas
	Normal	4 cucharaditas	6 cucharaditas
	Excesiva	4 cucharaditas	7 cucharaditas
<b>Semiblanda (5-9 gpg)</b>	Leve	4 cucharaditas	6 cucharaditas
	Normal	4 cucharaditas	6 cucharaditas
	Excesiva	5 cucharaditas	7 cucharaditas
<b>Dura (10-12 gpg)</b>	Todos los Niveles	5 cucharaditas	8 cucharaditas

\*Su compañía de agua local o el servicio de extensión de la universidad estatal pueden informarle sobre el grado de dureza del agua en su área.

**En los casos en que el agua es extremadamente dura (13 granos por galón o más\*), es difícil**

lograr buenos resultados con cualquier lavavajillas que se use. Puede que sea necesario usar un dispositivo mecánico para ablandar el agua a fin de mejorar la calidad del agua, la eficacia del detergente y proteger las piezas del lavavajillas contra el daño que puede causar el agua dura.

Agregue la cantidad de detergente recomendada a cada taza, como e muestra y cierre la tapa.



No use detergente con el ciclo 'Rinse Only' (Enjuague Solamente) (modelos selectos). Deje abierta la tapa del compartimiento del detergente cuando use el ciclo 'Rinse Only' (modelos selectos).

## Aditivo de Enjuague

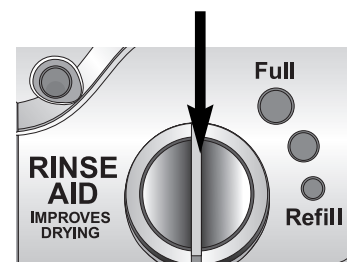
**El uso regular de un aditivo de enjuague mejora el secado, reduce las manchas y películas y reduce la humedad que queda en el interior del lavavajillas.**

Junto al compartimiento del detergente se encuentra un dispensador de aditivo de enjuague.

La ventanilla junto a la tapa del dispensador indica cuando es necesario volver a llenar el dispensador. Cuando el nivel del aditivo de enjuague esté más abajo de las marcas indicadores y la ventanilla está casi clara, es tiempo de volver a llenar el dispensador.

**Revise el dispensador todos los meses.**

Para agregar aditivo de enjuague al dispensador, gire la tapa a la izquierda para abrirla. Retire la tapa y vacíe aditivo de enjuague líquido en la abertura. La cantidad de aditivo que será distribuida durante el lavado puede ser ajustada moviendo la palanca situada dentro de la cavidad. Por lo general use el ajuste "2" recomendado por la mayoría de los fabricantes. Ajústelo a la marca "MAX" en los casos de agua dura. Coloque la palanca entre cualquiera de estas cantidades según sea necesario para obtener los mejores resultados. Vuelva a colocar la tapa y gírela a la derecha para cerrarla.





# Ciclos, Opciones y Luces

## Ciclos

Seleccione el ciclo que describa mejor la carga del lavavajillas oprimiendo la tecla correspondiente. (Ver página 35, **Sugerencias de Funcionamiento**, para obtener las instrucciones como comenzar el ciclo).

CICLO	DESCRIPCION	TIEMPO (MIN. APPROX.)	NUMERO DE LAVADOS/ENJUAGUES
<b>'Heavy Wash'</b> (Lavado Intenso)	Este es un ciclo prolongado para suciedad excesiva de la vajilla.	132	2 lavados/3 enjuagues
<b>'Normal Wash'</b> (Lavado Normal)	Este es un ciclo de mediana duración para suciedad normal de la vajilla. El Sensor de turbiedad está activo durante este ciclo.	97-117	1-2 lavados*/1-2 enjuagues*
<b>'Quick Wash'</b> (Lavado Rápido)	Este es un ciclo corto para suciedad leve de la vajilla.	82	1 lavado/2 enjuagues
<b>'Auto Wash'</b> (Lavado Automática) (modelos selectos)	Diseñado para seleccionar el número de llenados necesarios de acuerdo con el nivel de suciedad de cada carga. El Sensor de turbiedad está activo durante este ciclo.	94-128	1-2 lavados*/2-3 enjuagues*
<b>'Rinse Only'</b> (Enjuague Solamente) (modelos selectos)	Enjuague de los platos que se están reservando para cuando haya una carga completa.	9	1 enjuagues

\* El número de llenados dependerá del nivel de suciedad de los artículos.

### Notas

- Dependiendo de la temperatura del agua, puede que se agregue tiempo al ciclo para que el agua alcance la temperatura apropiada.
- Los tiempos de los ciclos mostrados en los indicadores digitales (modelos selectos) aumentan o disminuyen, dependiendo del nivel de suciedad de la vajilla, de la temperatura del agua y de las opciones seleccionadas.
- Solamente los ciclos certificados que se indican a continuación han sido diseñados para cumplir las normas de la NSF (NSF/ANSI 184 Lavavajillas Domésticos) respecto a esterilización: 'Auto Wash' (modelos selectos), 'Heavy Wash', 'Normal Wash' y 'Quick Wash'.



# Ciclos, Opciones y Luces

## Opciones de los Ciclos

Además de seleccionar un ciclo de la página 39, seleccione tantas de las opciones siguientes que están disponibles con el ciclo seleccionado **como sean necesarias** de acuerdo con la carga del lavavajillas.

OPCIONES	DESCRIPCION	CICLOS DE USO
<b>'Sanitize' (Esterilizar)</b> <b>(modelos selectos)</b>	Seleccione esta opción cuando lave cargas que tengan restos de alimentos difíciles de quitar. Dependiendo del ciclo que esté usando, esta opción agrega calor y/o tiempo de lavado al ciclo de lavado.	'Heavy Wash' 'Normal Wash' 'Quick Wash' 'Auto Wash' (modelos selectos)
<b>'Hi Temp Wash'</b> <b>(Temperatura alta)</b>	La función 'Hi Temp' (Temperatura alta) proporciona calor adicional durante la etapa de lavado del ciclo y ayuda a mantener la temperatura adecuada del agua para asegurar mejores resultados de lavado y secado.	Todos los Ciclos (excepto 'Rinse Only' Enjuague Solamente) (modelos selectos)
<b>'Heated Dry'</b> <b>(Secado Caliente)</b>	Seleccione esta opción para mejorar la eficiencia del secado. Cuando <b>no</b> se selecciona ' <b>Heated Dry</b> ' puede que sea necesario secar con paños algunos artículos tal como los artículos de plástico con superficies antiadherentes y se observará que hay más humedad en el interior del lavavajillas. En los modelos con interiores de plástico, es normal observar que escapa vapor a través del respiradero de la puerta a medida que el calor seca los platos. Saldrá vapor aunque <b>no</b> se seleccione ' <b>Heated Dry</b> '.	Todos los Ciclos (excepto 'Rinse Only') (modelos selectos)
<b>'Delay'</b> <b>(Lavado Diferido)</b>	Pone en funcionamiento y detiene el lavavajillas. Ver página 42 Bajo para instrucciones.	Todos los Ciclos

\* Solamente estos ciclos han sido designados en cumplimiento de los requerimientos de la NSF (NSF/ANSI 184 Lavavajillas Domésticos) con respecto a esterilización.

### PRECAUCIÓN

**PRECAUCIÓN** – En los modelos con interiores de plástico, es normal observar que escapa vapor a través del respiradero de la puerta situado en la esquina superior izquierda de la puerta a medida que el calor seca los platos. El vapor está caliente y puede causar quemaduras leves.



# Ciclos, Opciones y Luces

## Luces/Indicador (modelos selectos)

INDICADOR	DESCRIPCION
<b>Indicador de 'Time Remaining' (Tiempo Restante) (modelos selectos)</b>	Muestra los minutos aproximados que faltan para el término de un ciclo. El símbolo "2H" aparecerá cuando el tiempo del ciclo sea superior a 99 minutos. Los tiempos de los ciclos mostrados en el indicador numérico (modelos selectos) aumentan o disminuyen, de acuerdo con el nivel de suciedad de cada carga, con la temperatura del agua y con las opciones seleccionadas.
<b>Luz 'Clean' (Limpio) (modelos selectos)</b>	La luz se ilumina al final del ciclo y permanece iluminada hasta que la puerta permanece abierta durante 30 segundos continuos.
<b>Luz 'Drying' (Secado) (modelos selectos)</b>	La luz se ilumina durante todo el período de secado y se apaga cuando se completa el ciclo.
<b>Luz 'Washing' (Lavado) (modelos selectos)</b>	La luz se ilumina durante todas las porciones de enjuague y lavado del ciclo.
<b>Luz 'Heating Delay' (Extension del ciclo por calentamiento) (modelos selectos)</b>	La luz se ilumina cuando se prolonga el ciclo para calentar el agua.
<b>Luz 'Sanitized' (Esterilizado) (modelos selectos)</b>	La luz se ilumina al final del ciclo cuando se han cumplido los requerimientos para lograr la esterilización. La luz permanece iluminada hasta que la puerta permanece abierta durante 30 segundos continuos.

### Notas

- Cuando se selecciona 'Sanitize' (Esterilizar) (modelos selectos), los ciclos son supervisados para asegurar la esterilización. La luz 'Sanitized' (Esterilizado) no se activará si no se cumplen los requerimientos de esterilización. Esto puede suceder si el ciclo es interrumpido, si ocurre una falla de energía eléctrica o si la temperatura del agua de admisión es inferior a 49° C (120° F).
- Las luces indicadoras 'Clean' y 'Sanitized' (modelos selectos) no se volverán a iluminar después de una falla de energía eléctrica hasta que no se ejecute el ciclo siguiente.



# Ciclos, Opciones y Luces

## ‘Delay’ (Lavado Diferido)

La opción ‘Delay’ puede ser usada para comenzar automáticamente el ciclo en una hora posterior a fin de reducir la acumulación de calor en el hogar durante el día o para aprovechar los costos de energía reducidos, si están disponibles en su área. Esta opción es también útil para ahorro de agua caliente en las horas de mayor uso en el hogar (duchas, lavado de ropa).

### Programación de un lavado diferido:

1. Seleccione el ciclo apropiado y las opciones para el lavado. Cierre la puerta.
2. Oprima la tecla ‘Delay’ hasta seleccionar la cantidad de tiempo deseada.
3. El indicador ‘Delay’ y la cuenta regresiva (modelos selectos) destellarán hasta que se oprima la tecla ‘**START/Cancel**’ (PUESTA EN MARCHA/ Cancelar).
4. Tan pronto como se oprime la tecla ‘**START/Cancel**’, el indicador dejará de destellar y comenzará la cuenta regresiva del tiempo diferido. El indicador ‘Delay’ permanecerá iluminado hasta que expire el tiempo diferido.
5. El ciclo comenzará automáticamente tan pronto como expire el tiempo diferido.

### Nota

- Si pasan 30 segundos y no se oprime la tecla ‘**START/Cancel**’, el lavavajillas se apagará.

### Cancelación de un lavado diferido:

Cuando se está desplegando la cuenta regresiva, oprima nuevamente la tecla ‘Delay’. La luz indicadora se apagará y el ciclo comenzará o se reanudará inmediatamente.

### Cancelación de un lavado diferido y de un ciclo:

- Oprima ‘**START/Cancel**’ una vez para desaguar y apagar el lavavajillas.

### U

- Oprima ‘**START/Cancel**’ dos veces para apagar el lavavajillas sin desagüe.

## Opción ‘Control Lock’ (Bloqueo de los Controles) (modelos selectos)

Las teclas de control pueden ser bloqueadas para evitar el uso indeseado. Si esta característica es activada entre ciclos, no se podrá hacer funcionar el lavavajillas hasta que no se desbloqueen los controles. Si se desea, los controles pueden ser bloqueados después de haber comenzado un ciclo o un lavado diferido.

### Programación del Bloqueo de los Controles:

1. Oprima la tecla ‘**Heated Dry**’ (Secado Caliente) durante tres segundos.
2. Se iluminará la luz indicadora que se encuentra junto al ícono de bloqueo cuando los controles estén bloqueados.

### Para cancelar:

1. Oprima la tecla ‘**Heated Dry**’ durante tres segundos.
2. La luz indicadora se apagará.

### Notas

- Si se oprime un ciclo o una opción después de que se han bloqueado los controles, la luz indicadora que se encuentra junto al ícono de bloqueo destellará cinco veces. En los modelos selectos que tienen indicador de cuenta regresiva, el indicador mostrará una “L” destellando simultáneamente con el indicador de bloqueo.
- Esta opción no bloquea la puerta, solamente bloquea los controles del lavavajillas.



# Cuidado y Limpieza

## Recomendaciones Generales

- El interior del lavavajillas por lo general se limpia por sí solo. Revise periódicamente el fondo de la tina del lavavajillas para ver si hay partículas grandes.
- Limpie el borde del forro interior de la puerta para quitar cualquier salpicadura de alimentos que pueda haber ocurrido cuando estaba cargando el lavavajillas.
- Cuando limpie acero inoxidable, siempre hágalo a favor del grano. **Nunca** use productos que contengan blanqueador a base de cloro o ácido cítrico.

- El color de algunas manchas de alimentos a base de tomate pueden ocasionalmente adherirse a los diversos componentes del interior del lavavajillas, causando descoloración temporal.

### Para ayudar a reducir este problema:

- Limpie el exceso de alimentos a base de tomate de los platos antes de colocarlos en el lavavajillas.
- Use el ciclo 'Heavy Wash' (Lavado Intenso) cuando lave artículos que contengan suciedad de alimentos a base de tomate.
- Usar un detergente para lavavajillas que contenga cloro para eliminar mejor las manchas.

UBICACION	NIVEL DE SUCIEDAD	TRATAMIENTO
Exterior Estándar	Leve a moderada	Paño húmedo suave y limpiador líquido en rociador. <b>No</b> use polvos abrasivos ni esponjas de limpieza.
Exterior de Acero Inoxidable (modelos selectos)	Limpieza diaria y suciedad leve	Esponja o paño suave y uno de lo siguiente: <ul style="list-style-type: none"> <li>• Detergente suave y agua</li> <li>• Una solución a base de vinagre blanca y agua</li> <li>• Limpiavidrios y limpiador de superficies 'Formula 409'* o un limpiador de superficies similar.</li> <li>• <b>No</b> use productos que contengan blanqueador a base de cloro o ácido cítrico.</li> </ul> Enjuague y seque.
	Suciedad moderada a suciedad excesiva	Paño suave o esponja húmeda y 'Bon Ami*'. Enjuague y seque.
	Vetas o marcas de dedos/restaurar el brillo	Paño suave y limpiador 'Stainless Steel Magic Spray**'.
	Descoloración	Paño suave o esponja húmeda y limpiador 'Cameo Stainless Steel Cleaner*'. Enjuague inmediatamente y seque.
Interior	Leve a moderada	Paño suave o esponja húmeda.
	Descoloración o mancha a base de tomate	Cambie el detergente del lavavajillas por un producto a base de cloro.

\*Las nombres de los productos son las marcas registradas de los respectivos fabricantes.

\*\*Llame al 1-877-232-6771 USA o 1-800-688-8408 Canadá para hacer pedidos.

## Almacenamiento/Mudanza

Llene el compartimiento del detergente con un detergente para lavavajillas de fragancia fresca o bicarbonato de soda y seleccione el ciclo '**Normal Wash**' (Lavado Normal). Espere hasta que el lavavajillas complete el ciclo. Luego cierre el suministro de agua y desagüe el lavavajillas. Para desaguar, oprima una vez la tecla '**START/Cancel**' (PUESTA EN

**MARCHA/Cancelar**) para activar el lavavajillas. Oprima '**START/Cancel**' nuevamente para activar el desagüe. Desagüe el lavavajillas dos veces para asegurarse de que haya salido toda el agua. Finalmente, desenchufe el lavavajillas del suministro eléctrico y deje la puerta abierta.

Cuando cierre el agua del hogar, también se debe cerrar el agua hacia el lavavajillas.



# Localización y Solución de Averías

LEA ESTOS PUNTOS PARA AYUDARLE A AHORRAR TIEMPO Y DINERO.

PROBLEMA	SOLUCION
<b>El lavavajillas no se llena</b>	<ul style="list-style-type: none"> <li>• Oprima la tecla <b>'START/Cancel' (PUESTA EN MARCHA/Cancelar)</b> para ponerlo en marcha.</li> <li>• Cerciórese de que la puerta esté firmemente cerrada.</li> <li>• Cerciórese de que el agua esté conectada.</li> <li>• Verifique que se haya seleccionado la tecla correspondiente a un ciclo.</li> <li>• Verifique el disyuntor o la caja de fusibles de su hogar.</li> <li>• Verifique si la manguera de admisión está torcida.</li> <li>• Verifique si hay sedimentos en la válvula de entrada del agua y limpie si es necesario.</li> </ul>
<b>El lavavajillas no desagua/ queda agua en el fondo</b>	<ul style="list-style-type: none"> <li>• Si está conectado a un triturador de desechos de alimentos, asegúrese de que se haya sacado el disco removible de la admisión del triturador.</li> <li>• Verifique si hay obstrucción de alimento en el desagüe o en el triturador.</li> <li>• Verifique si la manguera de desagüe está torcida.</li> <li>• Verifique el disyuntor o la caja de fusibles de su hogar.</li> <li>• Verifique si el ciclo se ha completado.</li> </ul>
<b>El lavavajillas agrega agua al FINAL del ciclo</b>	<ul style="list-style-type: none"> <li>• Esto es normal. El sensor (modelos selectos) en la bomba debe permanecer sumergido por lo tanto se agrega un poco de agua después del último desagüe del ciclo.</li> </ul>
<b>Queda detergente en el dispensador</b>	<ul style="list-style-type: none"> <li>• Verifique que se haya completado el ciclo.</li> <li>• Asegúrese de que el dispensador no esté bloqueado.</li> <li>• Use detergente fresco que ha estado guardado en un lugar seco y fresco.</li> </ul>
<b>El lavavajillas parece ruidoso</b>	<ul style="list-style-type: none"> <li>• El ruido producido por la llave del agua durante el llenado es normal.</li> <li>• Los sonidos de la circulación del agua son normales.</li> <li>• Un sonido pesado puede ser uno de los brazos rociadores que está golpeando un artículo que sobresale de las rejillas. Vuelva a acomodar los artículos a fin de evitar que obstruyan el brazo rociador.</li> <li>• Es posible que escuche ruidos de picado o rayado mientras la hoja interna de la picadora corta elementos duros como las semillas de las frutas, nueces, etc.</li> <li>• Un sonido como un murmullo durante el desagüe es normal.</li> <li>• Un sonido brusco es la tapa del depósito del detergente que golpea el forro de la puerta cuando se abre la puerta del lavavajillas al final del ciclo. Esto es normal.</li> <li>• La instalación correcta del lavavajillas afecta el nivel del ruido.</li> </ul>
<b>El ciclo es demasiado prolongado (La luz 'Heating Delay' permanece iluminada [modelos selectos])</b>	<ul style="list-style-type: none"> <li>• Se ha seleccionado <b>'Hi Temp Wash' (Temperatura alta)</b> o <b>'Sanitize' (Esterilizar)</b> (modelos selectos) y el ciclo se ha prolongado para calentar el agua.</li> <li>• Verifique para ver que la temperatura del agua de entrada sea 120°F (49°C).</li> </ul>
<b>El Lavavajillas tiene olor</b>	<ul style="list-style-type: none"> <li>• Lave los artículos que están en el lavavajillas con un ciclo de <b>'Rinse Only' (Enjuague Solamente)</b> (modelos selectos).</li> <li>• Muchos lavavajillas tienen olor a 'nuevo' cuando son recién instalados. Esto disminuirá con el tiempo.</li> <li>• El lavavajillas no está desaguando en forma debida. (Vea la sección "El lavavajillas no desagua".)</li> <li>• Si el olor es fuerte coloque bicarbonato en ambos compartimientos del detergente. Seleccione <b>'Quick Wash' (Lavado Rápido)</b> y deje que el agua circule durante 10 minutos. Interrumpa el ciclo abriendo la puerta y dejándola así hasta el otro día. Vuelva a poner en marcha el lavavajillas cerrando firmemente la puerta y dejando que se complete el ciclo. Otra alternativa es usar un producto de limpieza de lavavajillas tal como <b>'Jet-Dry Dishwasher Cleaner'</b>*.</li> </ul>
<b>El lavavajillas tiene escapes</b>	<ul style="list-style-type: none"> <li>• Verifique si el lavavajillas está nivelado. (Consulte las Instrucciones de Instalación.)</li> <li>• La espuma puede producir derrame en el lavavajillas. Mida el detergente cuidadosamente y use solamente detergentes diseñados para uso en un lavavajillas. Se necesita menos detergente cuando el agua es blanda. Pruebe otra marca de detergente si la espuma continúa.</li> <li>• Siga al pie de la letra las instrucciones sobre cómo añadir un artículo olvidado (página 35).</li> <li>• Para evitar escape del agente de enjuague del dispensador, asegúrese de que la tapa esté firmemente cerrada.</li> </ul>

\*Las nombres de los productos son las marcas registradas de los respectivos fabricantes.

Cont.



# Localización y Solución de Averías

PROBLEMA	SOLUCION
<b>La hora en el indicador digital desciende repentinamente o aumenta en varios minutos (modelos selectos)</b>	<ul style="list-style-type: none"> <li>• Esto es normal cuando se selecciona el ciclo <b>'Auto Wash' (Lavado Automática)</b> (modelos selectos) o <b>'Normal Wash' (Lavado Normal)</b> y el lavavajillas decide omitir o agregar un desagüe y llenado.</li> </ul>
<b>Luces indicadoras destellando</b>	<ul style="list-style-type: none"> <li>• La cuenta regresiva destellará en el indicador (modelos selectos) después de haber seleccionado un tiempo diferido hasta que se oprima la tecla <b>'START/Cancelar' (PUESTA EN MARCHA/Cancelar)</b>.</li> <li>• El indicador de la cuenta regresiva (modelos selectos) y el indicador de <b>'Delay' (lavado diferido)</b> destellarán después que se ha seleccionado un tiempo diferido hasta que se oprima la tecla <b>'START/Cancelar'</b>.</li> <li>• Toda la información en los indicadores destellará si la puerta se abre durante un ciclo en curso o un tiempo diferido.</li> <li>• El ciclo en curso seleccionado destellará si el consumidor intenta cambiar el ciclo después que el ciclo se ha "enclavado".</li> <li>• El indicador de bloqueo destella y el indicador de la cuenta regresiva (modelos selectos) destella una "L" si se oprime una tecla cuando el bloqueo de los controles está activado.</li> </ul>
<b>Los vasos están nublados/ manchados</b>	<ul style="list-style-type: none"> <li>• Seleccione la opción de <b>'Hi Temp Wash' (Lavado de temperatura alta)</b>.</li> <li>• Verifique la temperatura del agua. La temperatura del agua de entrada debe ser de 120°F (49°C).</li> <li>• Siempre use un aditivo de enjuague.</li> <li>• Verifique si la nubosidad puede quitarse sumergiendo el artículo en vinagre blanco durante aproximadamente 5 minutos. Si desaparece, el problema se debe a que el agua es dura. Ajuste la cantidad de detergente que está usando de acuerdo con la dureza del agua (Pág. 38). Asegúrese de que el detergente sea fresco, esté guardado de manera apropiada y es de una marca de alta calidad.</li> <li>• Si la nubosidad no puede quitarse, quiere decir que se ha producido erosión de la superficie debido a que el agua está demasiado caliente, a que se usó demasiado detergente o por haber sido prelavado. El detergente necesita restos de alimentos sobre los cuales actuar. Si se ha producido erosión de la superficie, ajuste la cantidad de detergente de acuerdo con la dureza del agua, no realice prelavados y use las opciones de calentamiento del agua solamente cuando la temperatura del agua de entrada sea inferior a 120°F (49°C).</li> </ul>
<b>Los platos quedan con manchas de alimentos</b>	<ul style="list-style-type: none"> <li>• Verifique la temperatura del agua. La temperatura del agua de entrada debe ser de 120°F (49°C).</li> <li>• Deje correr el agua caliente en el fregadero antes de poner en marcha el lavavajillas.</li> <li>• Seleccione la opción de <b>'Hi Temp Wash'</b>.</li> <li>• Verifique la dureza del agua y agregue la cantidad de detergente de acuerdo con ello (Pág. 38).</li> <li>• Use detergente fresco que ha estado guardado en un lugar fresco y seco.</li> <li>• Seleccione el ciclo apropiado para el nivel de suciedad.</li> <li>• Asegúrese de que el conector del brazo rociador de la rejilla superior e intermedia esté correctamente alineado en uno de los agujeros de entrada del agua (Pág. 37).</li> <li>• Coloque los artículos de modo que no bloqueen los brazos rociadores. (Págs. 36-37).</li> <li>• Cargue la canastilla de los utensilios con los mangos de los cuchillos hacia arriba y los mangos de las cucharas y tenedores hacia abajo a través de las ranuras de las cubiertas.</li> <li>• No coloque vasos sobre los soportes.</li> <li>• Antes de cargar el lavavajillas, raspe los alimentos quemados de los platos y limpie la película feculenta de los utensilios usados con fideos, arroz y harina de avena. Estos residuos requieren más energía para limpiarlos que el resto de la vajilla.</li> </ul>

\*Las nombres de los productos son las marcas registradas de los respectivos fabricantes.

**Cont.**



# Localización y Solución de Averías

PROBLEMA	SOLUCION
<b>Los artículos que se lavan en el lavavajillas o la tina del lavavajillas están manchados o descoloridos</b>	<ul style="list-style-type: none"><li>• Los utensilios u ollas de aluminio pueden dejar marcas cuando rozan otros artículos. Deje un pequeño espacio entre los artículos.</li><li>• Los depósitos de hierro que contiene el agua pueden dejar una película amarilla, marrón o naranja en los platos o en la tina del lavavajillas. Puede que sea necesario usar un filtro. Consulte con una compañía de tratamiento de agua.</li><li>• Separe los artículos de plata o plateados de los artículos de acero inoxidable. Estos metales pueden dañarse al tener contacto entre si durante el lavado.</li><li>• El color de las salsas de tomate puede adherirse a la tina (Pág. 43). Si han ocurrido manchas leves, deje la puerta abierta para oxidar la mancha y eliminarla. Usar un detergente que contenga cloro para eliminar mejor las manchas.</li><li>• Ciertos detergentes de lavavajillas pueden manchar los artículos de plata. Use otra marca de detergente.</li></ul>
<b>Los artículos no quedan bien secos/hay humedad en el interior de la tina después del ciclo de secado</b>	<ul style="list-style-type: none"><li>• Asegúrese de que se haya seleccionado la opción <b>'Heated Dry' (Secado Caliente)</b>.</li><li>• Se pueden formar gotas de agua en la puerta interior como parte del proceso de secado.</li><li>• Use regularmente un aditivo de enjuague tal como 'Jet Dry'* o 'Cascade Rinse Aid'* para mejorar el secado. Gire el selector del aditivo de enjuague a la posición 'MAX'.</li><li>• Verifique la temperatura del agua. La temperatura del agua de entrada debe ser de 120°F (49°C).</li><li>• Seleccione <b>'Sanitize' (Esterilizar)</b> o <b>'Hi Temp Wash' (Lavado de temperatura alta)</b>.</li><li>• Aumente la cantidad de detergente de acuerdo con la dureza del agua (Pág. 38).</li><li>• Cargue debidamente el lavavajillas (Págs. 36-37).</li><li>• El plástico y los artículos con superficies antiadherentes son difíciles de secar pues tienen superficies porosas que tienden a retener gotas de agua. Puede ser necesario secarlas con un paño.</li><li>• Los vasos, tazas, etc., con fondos cóncavos retienen agua y deben ser secados con toalla. Ubique estos artículos en el lado más inclinado de la rejilla para obtener mejores resultados.</li></ul>
<b>Los platos se pican</b>	<ul style="list-style-type: none"><li>• Acomode los platos siguiendo las instrucciones para que no se golpeen unos contra otros (Págs. 36-37).</li><li>• No se recomienda lavar loza/cristal fino antiguo en el lavavajillas.</li><li>• No coloque los vasos sobre los soportes.</li><li>• No sobrecargue el lavavajillas.</li></ul>
<b>La luz 'Sanitize' no se ilumina al final del ciclo (modelos selectos)</b>	<ul style="list-style-type: none"><li>• <b>No</b> se seleccionó <b>'Sanitize' (Esterilizar)</b>.</li><li>• La esterilización puede llevarse a cabo solamente con los ciclos 'Auto Wash' (Lavado Automática) (modelos selectos), 'Heavy Wash' (Lavado Intenso), 'Normal Wash' (Lavado Normal), 'Quick Wash' (Lavado Rápido).</li><li>• La esterilización no puede llevarse a cabo si el ciclo se interrumpe, si hay una falla de electricidad o si la temperatura del agua de entrada es inferior a 120°F (49°C).</li></ul>

\*Las nombres de los productos son las marcas registradas de los respectivos fabricantes.



# Garantía y Servicio

## Garantía

### Garantía limitada de un año –

#### Piezas y mano de obra

Durante **un (1) año** a partir de la fecha original de compra al detal, se reparará o reemplazará gratuitamente cualquier pieza que falle durante el uso normal en el hogar.

#### Residentes Canadienses

Las garantías anteriores cubren solamente aquellos electrodomésticos instalados en Canadá que han sido certificados o aprobados por las agencias de prueba correspondientes para cumplimiento con la Norma Nacional de Canadá a menos que el electrodoméstico haya sido traído a Canadá desde los EE.UU. debido a un cambio de residencia.

*Las garantías específicas expresadas anteriormente son las **UNICAS** garantías provistas por el fabricante. Estas garantías le otorgan derechos legales específicos y usted puede tener además otros derechos que varían de un estado a otro.*

LA ÚNICA Y EXCLUSIVA SOLUCIÓN PARA EL CLIENTE BAJO ESTA GARANTÍA LIMITADA ES LA REPARACIÓN DEL PRODUCTO SEGÚN SE INDICA AQUÍ. LAS GARANTÍAS IMPLÍCITAS, INCLUYENDO LAS GARANTÍAS DE COMERCIALIZACIÓN O DE APTITUD PARA UN PROPÓSITO EN PARTICULAR ESTÁN LIMITADAS A UN AÑO O AL PERÍODO DE TIEMPO MÍNIMO PERMITIDO POR LA LEY. MAYTAG CORPORATION NO SERÁ RESPONSABLE DE DAÑOS INCIDENTALES O CONSECUENTES. ALGUNOS ESTADOS Y PROVINCIAS NO PERMITEN LA EXCLUSIÓN O LIMITACIÓN DE DAÑOS INCIDENTALES O CONSECUENTES O LA LIMITACIÓN DE LA DURACIÓN DE LAS GARANTÍAS IMPLÍCITAS DE COMERCIALIZACIÓN O APTITUD, POR LO QUE ESTAS EXCLUSIONES O LIMITACIONES PUEDEN NO APLICARSE EN SU CASO. ESTA GARANTÍA LE OTORGA DERECHOS LEGALES ESPECÍFICOS. USTED TAMBIÉN PUEDE TENER OTROS DERECHOS QUE VARÍAN DE UN ESTADO A OTRO O DE UNA PROVINCIA A OTRA.

## Lo que no cubren estas garantías

- Situaciones y daños resultantes de cualquiera de las siguientes situaciones:
  - Instalación, entrega o mantenimiento inapropiados.
  - Cualquier reparación, modificación, alteración o ajuste no autorizados por el fabricante o taller de servicio autorizado.
  - Mal uso, abuso, accidentes, uso no razonable o hechos fortuitos.
  - Corriente, voltaje, suministro eléctrico o suministro de gas incorrectos.
  - Ajuste inadecuado de cualquier
- Las garantías quedan nulas si los números de serie originales han sido retirados, alterados o no se pueden determinar fácilmente.
- Bombillas, filtros de agua y filtros de aire.
- Los productos comprados para uso comercial o industrial.
- El costo del servicio o llamada de servicio para:
  - Corregir errores de instalación. Para los productos que requieran ventilación, se deben usar conductos de metal rígido.
  - Instruir al usuario en el uso adecuado del producto.
  - Transporte del electrodoméstico al establecimiento de servicio y de regreso.
- Cualquier pérdida de alimentos debido a fallas del refrigerador o congelador.
- Costos de viaje y transporte de servicio en áreas remotas.
- Esta garantía no se aplica fuera de los Estados Unidos y Canadá. Póngase en contacto con su distribuidor para determinar si se aplica cualquier otra garantía.
- Los daños consecuentes o incidentales sufridos por cualquier persona como resultado del incumplimiento de esta garantía. En algunos estados no se permite la exclusión o limitación de daños consecuentes o incidentales, por lo tanto la limitación o exclusión anterior puede no aplicarse en su caso.

## Si necesita servicio

Primero revise la sección de localización y solución de averías en su guía de uso y cuidado o llame al distribuidor donde adquirió el electrodoméstico. También puede llamar a Maytag Services, LLC, Atención al cliente, al 1-800-688-9900 en EE.UU. y al 1-800-688-2002 en Canadá para ubicar a un agente de servicio calificado.

- Asegúrese de conservar el comprobante de compra para verificar el estado de la garantía. Consulte la sección sobre la GARANTÍA para mayor información sobre las responsabilidades del propietario para obtener servicio bajo la garantía.
- Si el distribuidor o la compañía de servicio no pueden resolver el problema, escriba a Maytag Services, LLC, Attn: CAIR® Center, P.O. Box 2370, Cleveland, TN 37320-2370 o llame al **1-800-688-9900 en EE.UU. y al 1-800-688-2002 en Canadá.**
- Las guías del propietario, manuales de servicio e información sobre las piezas pueden solicitarse a Maytag Services, LLC, Atención al cliente.

**Notas:** Cuando llame o escriba acerca de un problema de servicio, por favor incluya la siguiente información:

- Su nombre, dirección y número de teléfono;
- Número de modelo y número de serie;
- Nombre y dirección de su distribuidor o técnico de servicio;
- Una descripción clara del problema que está experimentando;
- Comprobante de compra (recibo de compra).