



Water Softening system

Safety Information2

Installation Instructions ...3-12
Step-by-step instructions6-12

Operating Instructions
Breaking a salt bridge14
Cleaning the nozzle and venturi assembly14
Features15
Service13, 16-18
Water softener system16-18

Care and Cleaning19

Troubleshooting Tips20-22

Consumer Support
Consumer SupportBack Cover
Parts list/catalog23-26
Warranty (U.S.)27
Warranty (Canada)28

Water Softening System

Owner's Manual & Installation Instructions

Model GXSF30H

Sistema Suavizante de Agua

Manual del Propietario e Instrucciones de Instalación

Modelo GXSF30H

La sección en español empieza en la página 29



System tested and certified by NSF International against NSF/ANSI Standard 44 for the chemical reduction claims specified on the performance data sheet.

Sistema probado y certificado por NSF International contra norma 44 de NSF/ANSI para las afirmaciones de reducción de los productos químicos especificadas en la hoja de datos de funcionamiento.

Write the model and serial numbers here:

Model # _____

Serial # _____

To find these numbers, lift the cover and look on the rim below the control panel.



IMPORTANT SAFETY INFORMATION. READ ALL INSTRUCTIONS BEFORE USING.

⚠ WARNING!

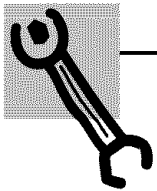
For your safety, the information in this manual must be followed to minimize the risk of electric shock, property damage or personal injury.



SAFETY PRECAUTIONS

- Check and comply with your state and local codes. You must follow these guidelines.
- Use care when handling the water softening system. Do not turn upside down, drop, drag or set on sharp protrusions.
- Water softening systems using sodium chloride (salt) for recharge add sodium to the water. *Persons on sodium restricted diets should consider the added sodium as part of their overall intake. Potassium chloride can be used as an alternative to sodium chloride in your softener.*
- The water softening system works on 24 volt-60 Hz electrical power only. *Be sure to use only the included transformer.*
- Transformer must be plugged into an indoor 120 volt, grounded outlet only.
- Use clean water softening salts only, at least 99.5% pure. NUGGET, PELLET or coarse SOLAR salts are recommended. Do not use rock, block, granulated or ice cream making salts. They contain dirt and sediments, or mush and cake, and will create maintenance problems.
- Keep the salt hole cover in place on the softener unless servicing the unit or refilling with salt.

⚠ WARNING: Do not use with water that is microbiologically unsafe or of unknown quality without adequate disinfection before or after the system.



PROPER INSTALLATION

This water softening system must be properly installed and located in accordance with the Installation Instructions before it is used.

- Install or store where it will not be exposed to temperatures below freezing or exposed to any type of weather. Water freezing in the system will break it. Do not attempt to treat water over 100°F.
- **Do not** install in direct sunlight. Excessive sun or heat may cause distortion or other damage to non-metallic parts.
- Properly ground to conform with all governing codes and ordinances.
- Use only *lead-free solder and flux* for all sweat-solder connections, as required by state and federal codes.
- The water softening system requires a minimum water flow of three gallons per minute at the inlet. Maximum allowable inlet water pressure is 125 psi. If daytime pressure is over 80 psi, nighttime pressure may exceed the maximum. Use a pressure reducing valve to reduce the flow if necessary.
- Softener resins may degrade in the presence of chlorine above 2 ppm. If you have chlorine in excess of this amount, you may experience reduced life of the resin. In these conditions, you may wish to consider purchasing a GE point-of-entry household filtration system with a chlorine reducing filter.

⚠ WARNING: Discard all unused parts and packaging material after installation. Small parts remaining after the installation could be a choke hazard.



READ AND FOLLOW THIS SAFETY INFORMATION CAREFULLY.
SAVE THESE INSTRUCTIONS

Installation Instructions

Water Softening System

Model GXSF30H

? Questions? Call 800.GE.CARES (800.432.2737) or Visit our Website at: ge.com

⚠ WARNING: Read entire manual. Failure to follow all guides and rules could cause personal injury or property damage.

- Check with your state and/or local public works department for plumbing codes. You must follow their guides as you install the Water Softening system.

NOTE: Failure to comply with these installation instructions will void the product warranty, and the installer will be responsible for any service, repair or damages caused thereby.

BEFORE BEGINNING INSTALLATION

Read these instructions completely and carefully.

- **IMPORTANT** — Save these instructions for local inspector's use.
- **IMPORTANT** — Observe all governing codes and ordinances.
- **Note to Installer** – Be sure to leave these instructions with the Consumer.
- **Note to Consumer** – Keep these instructions for future reference.
- Proper installation is the responsibility of the installer.
- Product failure due to improper installation is not covered under the Warranty.
- A shutoff valve must be available or added near the installation point.

IMPORTANT INSTALLATION RECOMMENDATIONS

- In the Commonwealth of Massachusetts, Plumbing Code 248 CMR shall be adhered to. Consult with your licensed plumber.
- Use only lead-free solder and flux for all sweat-solder connections, as required by state and federal codes.
- Connect the softener to the main water supply pipe **before** or **ahead of the** water heater. **DO NOT RUN HOT WATER THROUGH THE SOFTENER.** Temperature of water passing through the softener must be less than 120°F.

IMPORTANT INSTALLATION RECOMMENDATIONS (CONT.)

- Use care when handling the softener. Do not turn upside down, drop, drag or set on sharp protrusions.
- Maximum allowable inlet water pressure is 125 psi. If daytime pressure is over 80 psi, nighttime pressure may exceed the maximum. Use a pressure reducing valve if necessary. (Adding a pressure reducing valve may reduce the flow.)
- The softener works on 24 volt-60 Hz electrical power only. Be sure to use the included transformer. Be sure the electric outlet and transformer are in an inside location to protect from moisture.
- See *Where to Install the Softener* section for more details.

⚠ WARNING: Do not use with water that is microbiologically unsafe or of unknown quality without adequate disinfection before or after the system. The water should be tested periodically to verify that the system is performing satisfactorily.

- Small parts remaining after the installation could be a choke hazard. Discard safely.

Installation Instructions

UNPACKING AND INSPECTION

Be sure to check the entire softener for any shipping damage or parts loss. Also note damage to the shipping cartons. Contact the transportation company for all damage and loss claims. The manufacturer is not responsible for damages in transit.

Small parts needed to install the softener are packaged either in a bag or on a cardboard sheet. To avoid loss of the small parts, keep them packaged until you are ready to use them. Be sure not to discard components hidden in packaging.

TOOLS AND MATERIALS REQUIRED FOR INSTALLATION

- Pliers
- Screwdriver
- Teflon tape
- Razor knife
- Two adjustable wrenches
- Additional tools may be required if modification to home plumbing is necessary.
- In and out fittings included with the softener are 1" NPT male adapters. You should maintain the same, or larger, pipe size as the water supply pipe, up to the softener inlet and outlet. Then, use the necessary adapters to connect the water supply to the 1" NPT male adapters.
- Use the included bypass valve to install the softener. The bypass valve allows you to turn off water to the softener for servicing, but still have water in the house pipes. The NPT male adapters referred to above connect to the bypass valve with the included plastic clips.
- Use appropriate fitting/pipe material (i.e., copper, brass, galvanized or CPVC) to connect the 1" NPT plastic adapters to the house plumbing.
- If additional drain hose is needed for valve and salt tank drains, it can be ordered from GE Parts at 800.626.2002, part number WS07X10004.
- If a rigid valve drain is needed to comply with plumbing codes, you can buy the parts needed to connect a 1/2" copper tubing or plastic pipe drain. See *Step 4*.
- Clean nugget or pellet water softener salt is needed to fill the brine tank. See *Step 8*.

WHERE TO INSTALL THE SOFTENER

- Place the softener as close as possible to a sewer drain, or other acceptable drain point or standpipe.
- It is recommended to keep outside faucets on hard water to save soft water and salt.
- Do not install the softener in a place where it could freeze. **Freeze damage is not covered by the warranty.**
- Do not install the softener where it would block access to the water heater or access to the main water shutoff.
- Put the softener in a place where water damage is least likely to occur if a leak develops. The manufacturer will not repair or pay for water damage.
- A 120-volt electric outlet is needed to plug in the included transformer. The softener has a 10-foot power cable. If the outlet is remote (up to 100 feet), use 18 gauge wire to connect. **Be sure the electric outlet and transformer are in an inside location, to protect from wet weather.** Be sure the outlet is unswitched to prevent accidental shutoff.
- If installing in an outside location, you must take the steps necessary to assure the softener, installation plumbing, wiring, etc., are as well protected from the elements (sunlight, rain, wind, heat, cold), contamination, vandalism, etc., as when installed indoors. **Outdoor installation is not recommended, and voids the warranty.**
- **Keep the softener out of direct sunlight.** The sun's heat may distort non-metallic parts and may damage the electronics.

Installation Instructions

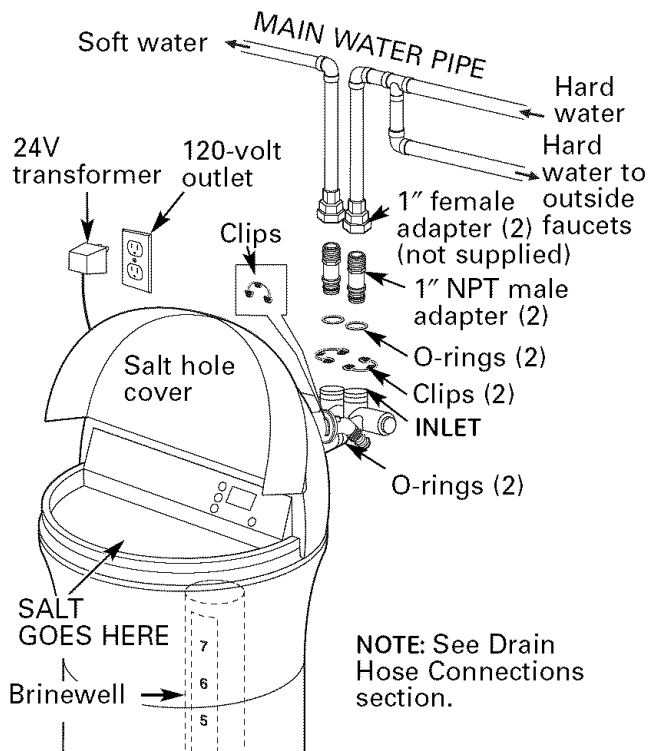
PLAN HOW YOU WILL INSTALL THE SOFTENER

You must first decide how to run in and out pipes to the softener. Look at the house main water pipe at the point where you will connect the softener. Is the pipe soldered copper, glued plastic or threaded galvanized? What is the pipe size?

⚠ WARNING: Use only lead-free solder and flux to prevent lead poisoning.

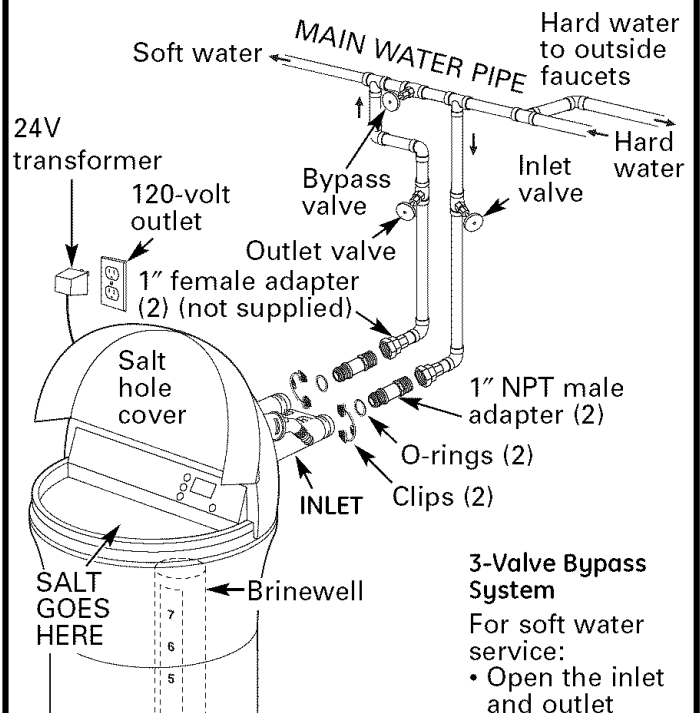
See *Typical Installation Illustration*. Use this as a guide when planning your particular installation. **Be sure to direct the incoming hard water supply to the softener valve inlet fitting.** The valve is marked **IN** and **OUT**.

TYPICAL INSTALLATION ILLUSTRATION



NOTE: See Drain Hose Connections section.

OPTIONAL 3-VALVE BYPASS INSTALLATION ILLUSTRATION



3-Valve Bypass System

For soft water service:

- Open the inlet and outlet valves
- Close the bypass valve

For bypass hard water:

- Close the inlet and outlet valves
- Open the bypass valve

Fig. 1

CROSSOVER

Use if water supply flows from the left. Include single or 3-valve bypass.

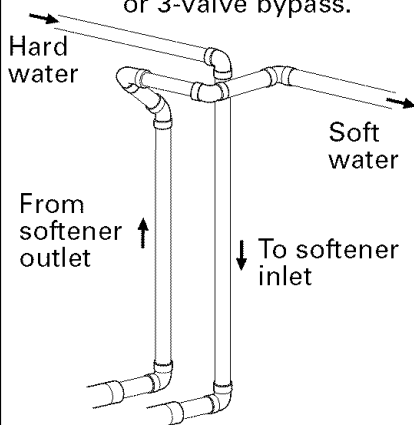
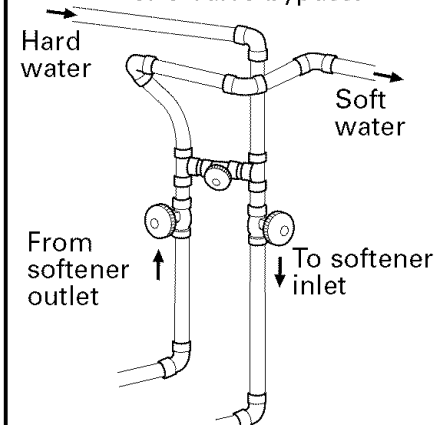


Fig. 2

CROSSOVER

Use if water supply flows from the left. Include single or 3-valve bypass.



Installation Instructions

BEFORE YOU BEGIN

- Turn off the gas or electric supply to the water heater, in the possibility that the water heater may be drained while draining pipes.
- Turn off the water supply to pipes to be cut and drain the house water pipes.
- Open both hot and cold faucets at the lowest location possible.

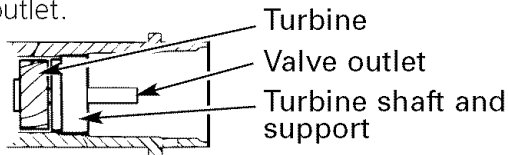
NOTE: For easier installation, remove the top cover. Release 2 clips at rear of cover. Rotate cover forward and lift up.

2 MOVE THE SOFTENER ASSEMBLY INTO INSTALLATION POSITION

Before sliding softener in position, be sure the installation surface is level and smooth. Sharp objects under the tank may puncture it. If needed, place the tank on a section of 3/4" thick (minimum) plywood. Then, place shims under the plywood as needed to level the softener. Slide softener into position.

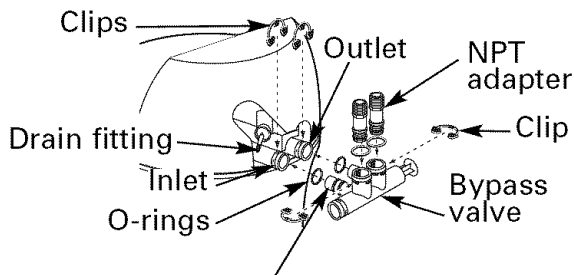
1 INSTALL BYPASS VALVE

- Remove plastic shipping plug and wire from valve outlet.



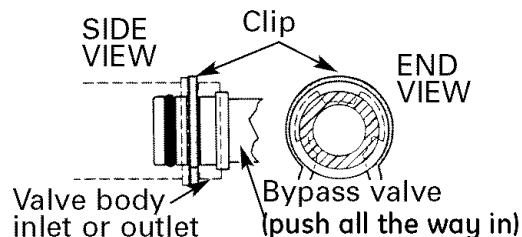
NOTE: Be sure the turbine and support are firmly in place in the valve outlet. Blow into the valve port and observe the turbine for free rotation.

- Push the bypass valve (lubricate o-ring seals with silicone grease) into both ports of the valve as shown.



O-ring seal goes into the outer groove only. The clip snaps into the inner groove (see below).

- Snap the 2 large plastic clips in place, from the top down, as shown.



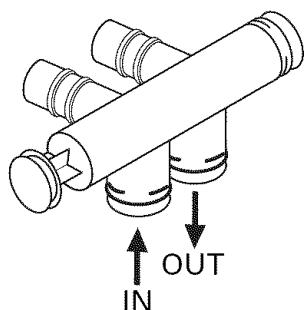
- Push the NPT adapters (lubricate o-ring seals with silicone grease) into both ports of the valve as shown.
- Snap the 2 large plastic clips in place, from the side, as shown.

Installation Instructions

3 PLUMB "IN" AND "OUT" PIPES TO AND FROM SOFTENER

CAUTION: Observe all of the following cautions as you connect inlet and outlet plumbing. See Typical Installation Illustration.

- BE SURE INCOMING **HARD WATER** SUPPLY IS DIRECTED TO THE SOFTENER VALVE **INLET** PORT. If house water flow is from the left, use a plumbing **crossover** as shown in Typical Installation Illustration. If house water flows up from the floor level, turn the bypass valve upside down as shown.



Turn bypass valve upside down to connect to floor level plumbing

- With the softener in place, determine the correct length of piping required to connect the household plumbing to the NPT male adapter.
- Remove softener from installation space.
- If making a soldered copper installation, **do all sweat soldering before connecting pipes to the NPT adapters and bypass valve.** Torch heat will damage plastic parts.
- When turning threaded pipe fittings onto plastic fittings, **use care not to cross-thread.**
- Use Teflon Tape on all external pipe threads.
- Support inlet and outlet plumbing in some manner (use pipe hangers) **to keep the weight off of the valve fittings.**
- Slide softener back into position.
- Make final connections to the bypass valve and snap clips into place.

Be sure the clips for the bypass valve and NPT adapters snap into place. Pull on the bypass valve and NPT adapters to make sure the parts are held securely in place.

4 CONNECT AND RUN THE VALVE DRAIN HOSE

- Use the provided drain hose (20' length included) to attach to the valve drain fitting. To keep water pressure from blowing the hose off, use supplied spring clamp to secure in place. Cut the necessary length and use the remainder in Step 5.
- Locate the other end of the hose at a suitable drain point (floor drain, sump, laundry tub, etc.) that terminates at the sewer. **Check and comply with local codes.**

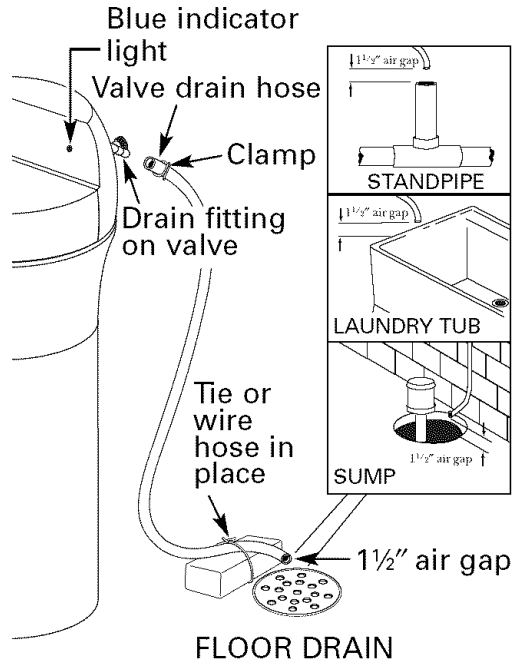
IMPORTANT: If more drain hose is needed, it should be ordered from GE Parts at 800.626.2002, part number WS07X10004. **The water softener will not work if water cannot exit this hose during recharge.**

- Tie or wire the hose in place at the drain point. High water pressure will cause it to whip during the back-wash and fast rinse cycles of recharge. **Also provide an air gap of at least 1-1/2" between the end of the hose and the drain point.** An air gap prevents possible siphoning of sewer water into the softener, if the sewer should "back-up."

Installation Instructions

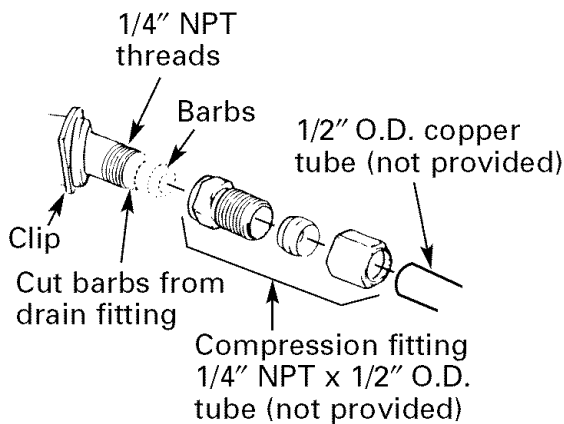
4 CONNECT AND RUN THE VALVE DRAIN HOSE (CONT.)

- Elevating the drain hose may cause back pressure that could reduce the brine draw during recharge. If raising the drain line overhead is required to get to the drain point, measure the inlet water pressure to the softener first. For inlet pressures between 20 and 50 psi, do not raise higher than 8' above the floor. For inlet pressure above 50 psi, the drain line may be raised to a maximum height of 14'.



CONNECTING A RIGID VALVE DRAIN TUBE

To adapt a copper drain tube to the softener, use a hacksaw to cut the barbed end from the drain fitting as shown. Rotate the drain fitting so the cutting blade clears the valve housing to prevent damage to valve. Buy a compression fitting (1/4" female pipe thread x 1/2" O.D. tube) and needed tubing from your local hardware store.

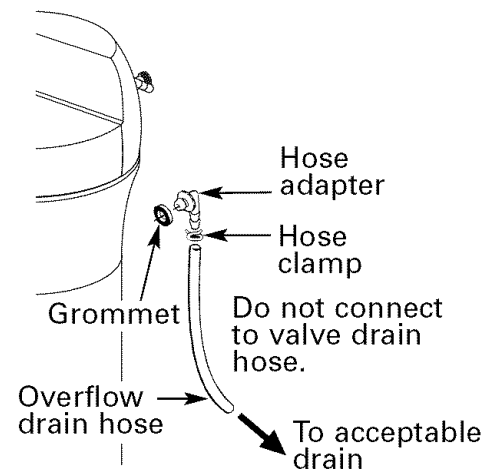


5 INSTALL THE BRINE TANK OVERFLOW FITTINGS AND HOSE

- Insert the rubber grommet into the 3/4" diameter hole in the brine tank sidewall as shown.
- Push the end of the hose adapter elbow into the grommet as shown.
- Attach a length of hose (use remaining hose from Step 4) to the hose adapter elbow. Use a hose clamp to hold it in place.
- Locate the other end of the hose at the drain point. **DO NOT ELEVATE** this hose higher than the elbow on the brine tank.

IMPORTANT: DO NOT TEE OVERFLOW HOSE TO VALVE DRAIN HOSE.

NOTE: This drain is for safety only. If the cabinet (brine tank) should over-fill with water, the excess is carried to the drain.



Installation Instructions

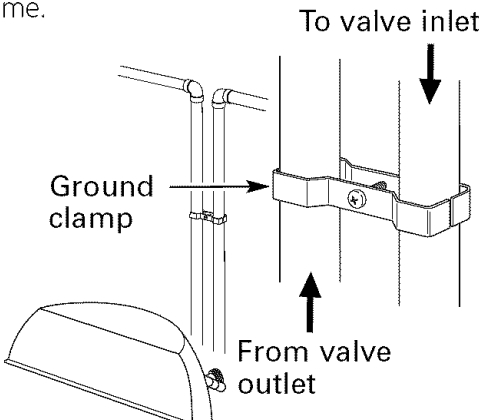
6 INSTALL GROUNDING CLAMP

⚠ DANGER: Failure to properly attach ground clamp could result in electrical shock.

If plumbing is metal, to **maintain electrical ground continuity** in the house cold water piping, install the included ground clamp as shown.

- Clean pipe with emery paper in the area where the clamp is to be installed.
- Install grounding clamps as shown, making sure clamps fit freely around pipe.
- Make sure lock washer is in place.
- Handtighten screw, then one more full turn with screwdriver.

NOTE: When replacing an existing softener, also replace grounding clamps. If removing softener completely, hard-plumb the water line with same type of pipes as the original to assure plumbing integrity and ground continuity over the life of the home.



7 FLUSH PIPES, EXPEL AIR FROM SOFTENER AND TEST YOUR INSTALLATION FOR WATER LEAKS

⚠ CAUTION: To avoid water or air pressure damage to softener inner parts, be sure to do the following steps in exact order.

- Fully open 2 cold soft water faucets nearby the softener.
- Place bypass valve in “bypass” position by pushing the stem inward.
- Fully open the house main water pipe shutoff valve. Observe a steady flow from both faucets opened above.

7 FLUSH PIPES, EXPEL AIR FROM SOFTENER AND TEST YOUR INSTALLATION FOR WATER LEAKS (CONT.)

- Place bypass valve in the “service” position **EXACTLY** as follows. **KEEP SOFT WATER FAUCETS OPEN.**

SLOWLY pull or slide the valve stem (out) toward the service position, pausing several times to allow the softener to pressurize slowly.

- After about 3 minutes, open a **HOT** water faucet for 1 minute, or until all air is expelled, then close. **NOTE:** If water appears cloudy or has salty taste, allow to run for several more minutes, or until clear.
- Close all water faucets.
- Check your plumbing work for leaks and fix right away if any are found. Be sure to observe previous caution notes.
- Turn on the gas or electric supply to the water heater. Light the pilot, if applicable.

8 ADD WATER AND SALT TO THE BRINE TANK

- Lift the salt hole cover. Add about 3 gallons of water into the tank. Do not add into the brinewell.
- Fill tank with NUGGET, PELLET or coarse SOLAR water softener salt with a purity of 99.5% or higher. **Do not use** rock, block, granulated and ice cream-making salts, or **salt with iron-removing additives** (except for Diamond Crystal® Red•Out® brand salt). Maximum salt storage capacity is approximately 200 lbs. Keep the salt hole cover closed unless servicing the unit or refilling with salt.

NOTE: If the softener is installed in a humid basement or other damp area, it is better to **fill the tank with less salt, more frequently**. Eighty to 100 lbs. of salt will last for several months, depending on water hardness, family size and water softening system model.

Installation Instructions

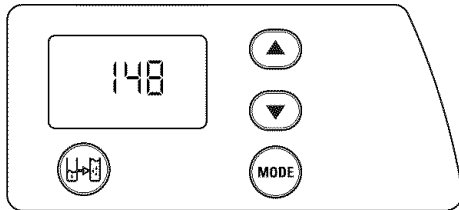
9 CONNECT TO ELECTRICAL POWER

To gain access to the transformer/power cord assembly, remove the salt hole cover from the softener. Unclip the tabs on the rear of the top cover and rotate the cover upward to remove. **DO NOT PULL OR DISCONNECT WIRING.**

- The softener works on 24 volt-60Hz electric power. The included transformer changes standard 120-volt AC house power to 24 volts. **Plug the transformer into a 120-volt outlet only.** Be sure the outlet is always live so it can not be switched off by mistake.
- Replace the top cover.
- Replace the salt hole cover.

PROGRAMMING THE CONTROL

PROGRAMMING THE CONTROL



CONTROL SETTINGS REQUIRED upon installation and after an extended power outage.

NOTES:

- WHEN THE TRANSFORMER IS PLUGGED INTO THE ELECTRICAL OUTLET, 12:00 PM (flashing), and **PRESENT TIME** is displayed. Program the control as instructed below.
If SR - - - is flashing, use the UP ▲ button to set the correct model code as follows: **F30** for GXSF30H. If you pass by the correct code number, use the DOWN ▼ button. Then press the **MODE** button to accept the correct model.
- A "beep" sounds while pressing buttons for control programming. One beep signals a change in the control display. Repeated beeps mean the control will not accept a change from the button you have pressed, and you should select another button.
- To program the control, you will use the UP ▲, DOWN ▼ and **MODE** buttons.
- Use the **MODE** button to select the desired control function.

SET PRESENT TIME OF DAY

1. Press the **MODE** button until **PRESENT TIME** appears in the display.
2. Press UP ▲ or DOWN ▼ button to set. The UP button advances the time; the DOWN button moves the time in reverse.



If the present time is between noon and midnight, be sure PM shows in the display. If the present time is between midnight and noon, be sure AM shows in the display.

NOTE: Each press of an UP ▲ or DOWN ▼ button changes the time by one minute. Holding the button changes the time at a rapid rate.

3. When the present time is correct, press **MODE** to accept.

SET WATER HARDNESS NUMBER

1. Press the **MODE** button until **HARDNESS** appears in the display.
2. Press UP ▲ or DOWN ▼ button to set your water hardness number in the display. DOWN decreases the hardness value. UP increases the hardness value.



NOTE: Each press of a button changes the display by 1, between 1 and 25. Above 25, the display changes 5 at a time (25, 30, 35, etc.). Holding a button in changes the numbers at a rapid rate.

Installation Instructions

SET WATER HARDNESS NUMBER (CONT.)

3. When the display shows your water hardness (in grains per gallon), press **MODE** to accept.

NOTE: If there is clear water iron in your water supply, you will need to increase the hardness setting by 5 for each 1 ppm of clear water iron in your water supply.

You can get the grains per gallon (gpg) hardness of your water supply from a water analysis laboratory. If you are on a municipal supply, call your local water department. Or call Legend Technical Services, an independent laboratory, to request a water hardness test kit at 1.800.949.8220, option 4. If your report shows hardness in parts per million (ppm) or milligrams per liter (mg/l), simply divide by 17.1 to get the equivalent number of grains per gallon.

SET RECHARGE (STARTING) TIME

1. Press the **MODE** button until **RECHARGE TIME** appears in the display.



NOTE: A flashing 2:00 AM (factory default) should show in the display. This is a good time for recharge to start (takes about 2 hours) in most households because water is not in use. HARD WATER is bypassed to house faucets during recharge.

If no change is needed, go to step 3. To change the recharge starting time, follow step 2.

2. Press UP ▲ or DOWN ▼ button to set the desired recharge start time. Be sure to observe the AM or PM as you did when setting the time of day.

NOTE: Each press of a button changes the time by 1 hour. Holding the buttons in changes the time at a rapid rate.

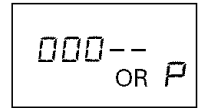
3. Press the **MODE** button to accept.

OPTIONAL CONTROL SETTINGS

The controller display has several options and features.

SYSTEM/ELECTRONIC DIAGNOSTICS

This display contains system diagnostics information to assist in troubleshooting problems with the Water Softener. See page 17.



To access the System Diagnostics, press and hold the **MODE** button for 3 seconds.

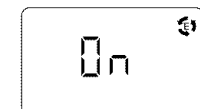
To return to the normal display, press the **MODE** button 2 times.

SALT EFFICIENCY

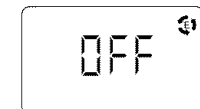
When the **SALT EFFICIENCY** feature is ON, the unit will operate at a salt efficiency of at least 4000 grains of hardness removed per pound of salt. This mode of operation is the most efficient setting for salt usage, because the system will tend to recharge more often, with less salt usage. Turning the feature OFF will tend to lengthen the time between recharge cycles, which will provide the most efficient usage of water, but may use more salt. The degree of difference between these two cycles is highly dependent on the water usage and hardness at a particular installation.

NOTE: California Regulations require this feature to be ON for installations in California.

To access the Salt Efficiency, press and hold the **MODE** button for 3 seconds. The System Diagnostics display will appear.



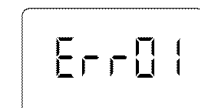
Press the **MODE** button again and the Salt Efficiency display will appear.



To change the setting, press the UP ▲ or DOWN ▼ buttons to toggle the feature ON or OFF. Press the **MODE** button to accept.

ERROR SIGNALS

If there is an error code detected, the display will flash **Err** to signal that the softener requires service.



See page 16 for information to assist in troubleshooting error codes. Once the problem is corrected, disconnect the transformer from the wall outlet momentarily, and plug it back in. The normal display will appear. The motor may run for several minutes, as the unit resets. If the problem is not corrected, the error code will reappear in 6 minutes.

Installation Instructions

SANITIZING PROCEDURES

To complete the installation, do the following sanitizing procedures.

Care is taken at the factory to keep your water softener clean and sanitary. Materials used to make the softener will not infect or contaminate your water supply and will not cause bacteria to form or grow. However, during shipping, storage, installation and operation, bacteria could get into the softener. For this reason, sanitizing as follows is suggested when installing.

NOTE: Sanitizing is recommended by the Water Quality Association for disinfecting.

1. Be sure to complete all installation steps, including programming the control.
2. Pour about 3/4 oz. (1½ tablespoons) of common 5.25% unscented household bleach (Clorox, Linco, Bo Peep, White Sail, Eagle, etc.) into the **brinewell**. Refer to illustration on page 5.
3. **IMPORTANT:** Press and hold for 3 seconds the faceplate **RECHARGE** Ⓜ button to start an immediate recharge. **RECHARGE** begins to flash in the display. The bleach will be drawn through the

water softener, and out the drain. This process takes approximately 2 hours.

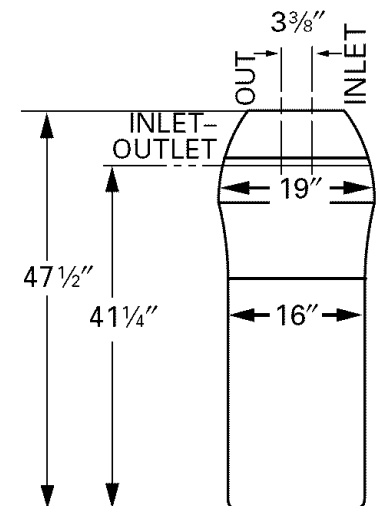
4. If, after sanitization, water from the house faucet tastes salty or has a slight color, this is a preservative from the resin tank. Turn on the cold soft water faucets and drain for a few minutes or until clear.

NOTE: When the sanitizing recharge is over, all remaining bleach is flushed from the conditioner and your house **COLD** water supply is fully soft immediately. However, your water heater is filled with hard water and as hot water is used, it will refill with soft water. When all the hard water is replaced in the water heater, hot only and mixed hot and cold water will be fully soft. If you want totally soft water immediately, after the above recharge, drain the water heater until the water runs cold.

⚠WARNING: If you do drain the water heater, use extreme care as the hot water could cause burns. Turn the water heater off prior to draining.

SPECIFICATIONS/DIMENSIONS

	GXS F30H
Rated Capacity*	11,800 grains with 2.3 lbs. of salt 25,300 grains with 7.4 lbs. of salt 30,200 grains with 12.5 lbs. of salt
Rated Efficiency**	5,120 grains/lb. @ 2.3 lbs. of salt
Amount of High Capacity Resin (lbs/cu. ft)	40.6/0.78
Resin Tank Nominal Size (in., dia. x height)	8 x 40
Service Flow Rate (gpm)	7.5
Water Supply Maximum Hardness (gpg)	95
Water Supply Maximum Clear Water Iron (ppm)***	7
Water Pressure Limits (min.-max. psi)****	20-125
Pressure Drop at Rated Service Flow (psig)	14
Water Temperature Limits (min.-max. °F)	40-120
Maximum Flow Rate to Drain (gpm)	2.0



This system conforms to NSF/ANSI 44 for the specific capacity claims as verified and substantiated by test data.

* Testing was performed using pellet grade sodium chloride as the regenerant salt.

** Efficiency rating is valid only at the lowest stated salt dosage. This softener was efficiency rated according to NSF/ANSI 44.

*** Extent of iron removal may vary with conditions. The capacity to reduce clear water iron is substantiated by WQA test data. State of Wisconsin requires additional treatment if water supply contains greater than 5 ppm clear water iron. Use of Diamond Crystal® Red•Out® or Super Iron Out® will improve iron removal. Refer to Cleaning Iron Out of the Water Softening System section.

**** Canada working pressure limits: 1.4-7.0 kg/cm².

Service

When the water softening system is providing soft water, it is called "Service." During service, hard water flows from the house main water pipe into the water softening system. Inside the water softening system resin tank is a bed made up of thousands of tiny, plastic resin beads. As hard water passes through the bed, each bead attracts and holds the hard minerals. This is called ion-exchanging. It is much like a magnet attracting and holding metals. Water without hard minerals (soft water) flows from the water softening system and to the house pipes.

After a period of time, the resin beads become coated with hard minerals and they have to be cleaned. This cleaning is called recharge. Recharge is started at 2:00 AM (factory setting) by the water softening system control, and consists of five stages or cycles. These are **FILL, BRINING, BRINE RINSE, BACKWASH** and **FAST RINSE**.

Automatic Hard Water Bypass During Recharge

For emergency needs, hard water is available to the home during the recharge cycles.

However, you should avoid using HOT water because the water heater will fill with the hard water.

Fill

Salt dissolved in water is called brine. Brine is needed to clean the hard minerals from resin beads. To make the brine, water flows into the salt storage area during the fill stage.

Brining

During brining, brine travels from the salt storage area into the resin tank. Brine is the cleaning agent needed to remove hard minerals from the resin beads. The hard minerals and brine are discharged to the drain.

The nozzle and venturi create a suction to move the brine, maintaining a very slow rate to get the best resin cleaning with the least salt.

Brine Rinse

After a pre-measured amount of brine is used, the brine valve closes. Water continues to flow in the same path as during brining, except for the discontinued brine flow. Hard minerals and brine flush from the resin tank to the drain.

Backwash

During backwash, water travels **up** through the resin tank at a fast flow rate, flushing accumulated iron, dirt and sediments from the resin bed and to the drain.

Fast Rinse

Backwash is followed by a fast flow of water **down** through the resin tank. The fast flow flushes brine from the bottom of the tank, and packs the resin bed.

After fast rinse, the water softening system returns to soft water service.

About the water softener system.

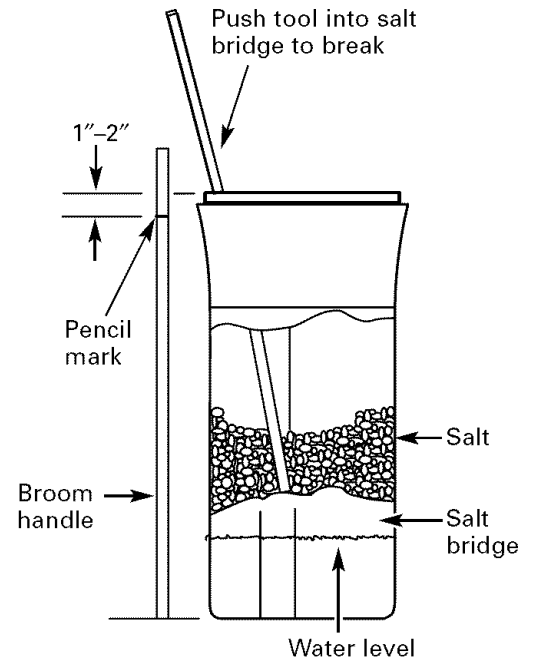
Breaking a Salt Bridge

Sometimes, a hard crust or salt bridge forms in the salt storage area. It is usually caused by high humidity or the wrong kind of salt. When the salt bridges, an empty space forms between the water and salt. Then salt will not dissolve in the water to make brine.

If the brine tank is full of salt, it is hard to tell if you have a salt bridge. Salt is loose on top, but the bridge is under it. The following is the best way to check for a salt bridge.

Salt should be loose all the way to the bottom of the tank. Take a broom handle or like tool, and carefully push it down into the salt, working it up and down. If the tool strikes a hard object (be sure it's not the bottom or sides of the tank), it's most likely a salt bridge. Carefully break the bridge with the tool. **Do not** pound on the walls of the tank.

If the wrong kind of salt made the bridge, take it out. Then fill the tank with nugget or pellet salt only. In humid areas, it is best to fill with less salt, more often to prevent a salt bridge from forming.



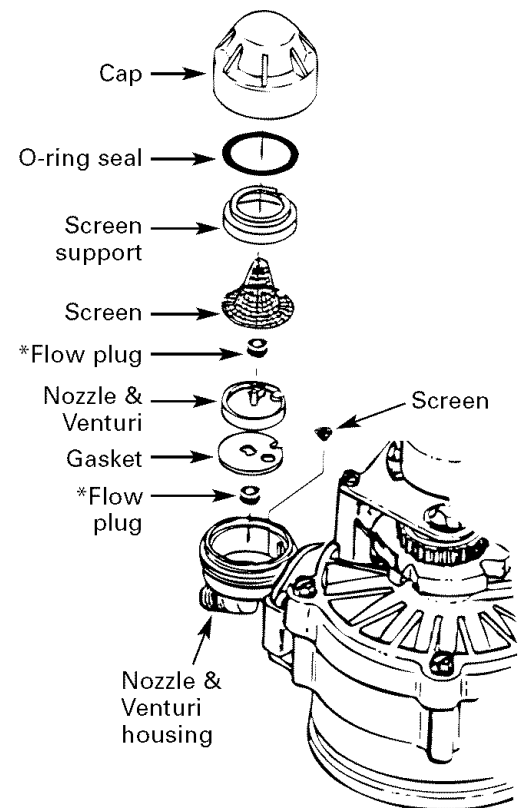
Cleaning the Nozzle and Venturi Assembly

A clean nozzle and venturi is needed for the water softening system to work properly. This small unit makes the suction to move brine from the salt storage area to the resin tank during recharge. If it becomes plugged with sand, dirt, etc., the water softening system will not work and you will get hard water.

To get to the nozzle and venturi, remove the water softening system top cover. Be sure the water softening system is in service cycle (no water pressure at nozzle and venturi). Then, while holding the nozzle and venturi housing with one hand, remove the cap. Lift out the screen support and screen, then the nozzle and venturi. Wash and rinse the parts in warm water until clean. If needed, use a small brush to remove iron or dirt. Also check and clean the gasket.

NOTE: Some models have a small flow plug located in the nozzle and venturi, and/or a small cone shaped screen in the housing. Be sure to check and clean these parts, if your model is so equipped.

Carefully replace all parts in the correct order. Lightly lubricate the o-ring seal with clean silicone grease or petroleum jelly and place in position. **Install and tighten the cap, by hand only. Do not overtighten the cap.**



IMPORTANT: Be sure small holes in the gasket are centered directly over the small holes in the nozzle and venturi housing.

*Install with numbered side up, concave side down.

Normal Operation, Control Displays

During normal operation, the present time of day and AM or PM show in the control display area. When the demand computer determines a recharge is needed, **RECHARGE TONIGHT** begins to flash in the display along with the present time. **RECHARGE TONIGHT** flashes until the next recharge start time, then changes to **RECHARGE**, which flashes until the recharge is over.


Feature: Optional Recharge Controls

Sometimes, a manually started recharge may be desired or needed. *Two examples:*


- You have used more water than usual (house guests, extra washing, etc.) and you may run out of soft water before the next recharge.
- The system ran out of salt.

Use one of the following features to start a recharge immediately, or at the next preset recharge start time.

RECHARGE TONIGHT

Touch (do not hold) the **RECHARGE**  button. **RECHARGE TONIGHT** flashes in the control display area. A recharge will occur at the next preset recharge start time. If you decide to cancel this recharge, touch the same button once more.

RECHARGE NOW

Press and hold the **RECHARGE**  button until **RECHARGE NOW** starts to flash in the control display area. The water softening system begins an immediate recharge and, when over in about two hours, you will have a new supply of soft water. Once started, you cannot cancel this recharge.

Feature: Memory

If electrical power to the water softening system is interrupted, the control display is blank, and the blue indicator light is off, but the control keeps correct time for about 6 hours. When power is restored, you have to reset the present time only if the display and blue indicator light are flashing. All other settings are maintained and never require resetting unless a change is desired.

If the time is flashing after a long power outage, the water softening system continues to work as it should to provide you with soft water. However, recharge may occur at the wrong time of day until you reset the control to the correct time of day.

Feature/Service: Automatic Electronic Diagnostics

The control computer has a self-diagnostic function for the electrical system (except input power and water meter). The computer monitors the electronic components and circuits for correct operation. If a malfunction occurs, an error code appears in the control display.

The chart on *Error Codes* shows the error codes that could appear and possible reasons for each code. See *Manually Initiated Electronics Diagnostics* to further isolate the defect.

About the water softener system.

Service: Electronic Demand Time Features and Service

ERROR CODE DISPLAYED	ERR 01	ERR 02	ERR 03	ERR 04	ERR 05
POSSIBLE DEFECT	<ul style="list-style-type: none"> • Motor inoperative • Wiring harness or connection to switch • Position switch • Control 	<ul style="list-style-type: none"> • Position switch • Control 	<ul style="list-style-type: none"> • Motor inoperative or wiring harness • Control 	<ul style="list-style-type: none"> • Position switch or wiring harness • Control 	<ul style="list-style-type: none"> • Control

To remove an error code: 1. Unplug transformer.
 2. Correct defect.
 3. Plug transformer in.
 4. Wait for at least 6 minutes. The error code will return if the reason for the error code was not corrected.

Service: Timer/Softener, Service Checkout Procedure

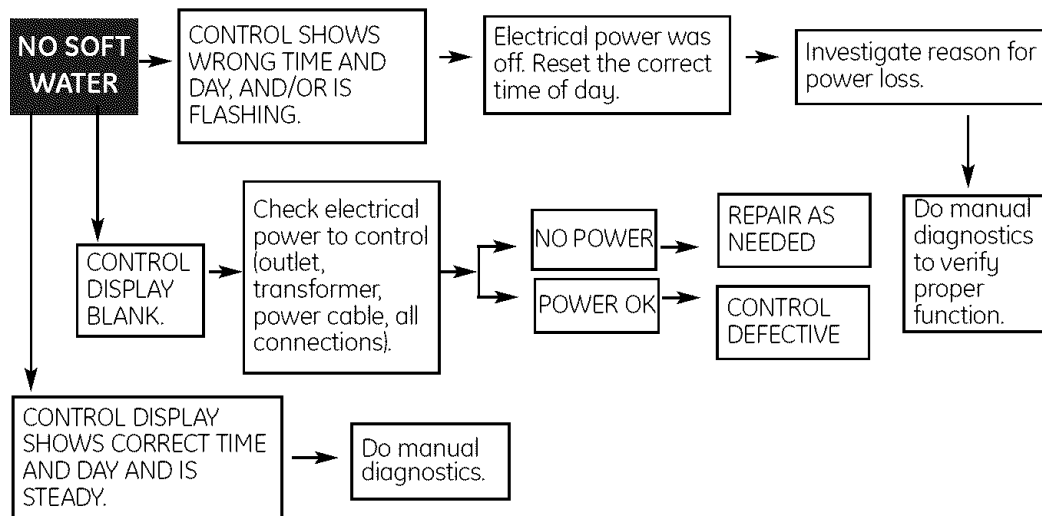
If you are not getting soft water, and an error code is not displayed, use the procedures below to find the problem. First make the following visual checks.

VISUAL CHECKS:

1. Is there electrical power to the outlet the water softening system transformer is plugged into?

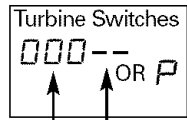
2. Is there sufficient salt in the storage tank?
3. Is the softener bypass valve directing water for soft water service?
4. Is the valve drain hose open to the drain, not more than 8' above the softener, and unobstructed? If hose is above 8', see page 8, step 4.

If you do not find a problem with the visual checks, continue below.



Service: Manually Initiated Electronics Diagnostics

1. To enter diagnostics, press and hold the **MODE** button until (000 --) shows in the display.

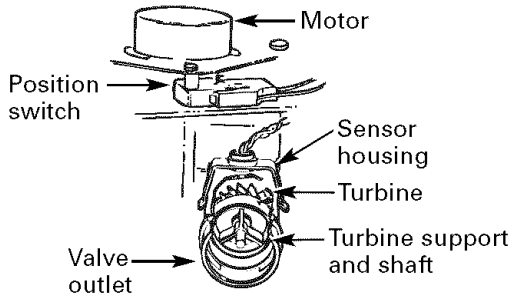


A The first 3 digits indicate water meter operation as follows:

- 000 (steady) = soft water not in use...no flow through the meter.

—OPEN A NEARBY SOFT WATER FAUCET—

- 000 to 199 (continual) = repeats display for each gallon of water passing through the meter.



If you don't get a reading in the display, with faucet open, pull the sensor from the valve outlet port. Pass a small magnet back and forth in front of the sensor. You should get a reading in the display. If you get a reading, shut off water supply, unhook the in and out plumbing and check the turbine for binding.

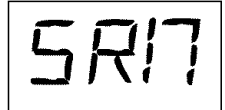
B The letter (P) and dash(es) indicate **POSITION** switch operation. The letter appearing means the switch is closed; the dash means the switch is open. Use the **RECHARGE** (⊕) (**RECHARGE TONIGHT-RECHARGE NOW**) button to manually advance the valve into each cycle and check correct switch operation.

CORRECT SWITCH DISPLAYS	VALVE CYCLE STATUS
--	Valve in service, fill, brining, backwash or fast rinse position.
-- P	Valve rotating from one position to another

C While in this diagnostic screen, the following information is available and may be beneficial for various reasons. This information is retained by the computer from the first time electrical power is applied to the control.

- Press and hold the **UP** button to display the number of days this control has had electrical power applied.
- Press and hold the **DOWN** button to display the number of regenerations initiated by this control since the SR code number was entered.

2. Press the **MODE** button and hold in three seconds until a Service Rating code appears in the display.



For correct water softening system operation, the model code must be F30 for model GXSF30H.

To reset the code, press the **UP** or **DOWN** button until the correct number shows.



3. Press the **MODE** button to return to the present time display. **If the code was changed, make ALL the timer settings.**

NOTE: If the control is left in a diagnostic display or a flashing display when setting times or hardness, present time automatically returns if a button is not pressed within four minutes.

About the water softener system.

Service: Manually Advance Recharge Check

NOTE: The control display must show a steady time (not flashing).




1. Press the **RECHARGE**  button and hold in for three seconds. **RECHARGE NOW** begins to flash as the water softening system enters the fill cycle of recharge. Remove the brinewell cover and, using a flashlight, observe fill water entering the brine tank. If water does not enter the tank, look for an obstructed nozzle, venturi, fill flow plug or brine tubing. See *Care and Cleaning of the Water Softener System* section.
2. After observing fill, press the **RECHARGE**  button to move the water softening system into brining. A slow flow of water to the drain will begin. Verify brine draw from the brine tank by shining a flashlight into the brinewell and observing a noticeable drop in the liquid level over an extended period of time.

NOTE: Be sure a salt bridge is not preventing water from contacting salt. See *Care and cleaning of the water softening system* section.

If the water softening system does not draw brine, check:

- nozzle and/or venturi dirty or defective.
- defective nozzle and venturi seal.
- nozzle and venturi not seated properly on gasket.
- other inner valve defect (rotor seal, rotor and disc, wave washer, etc.).
- restricted drain (check drain fitting and hose).

NOTE: If water system pressure is low, an elevated drain hose may cause back pressure, stopping brine draw.

3. Again, press the **RECHARGE**  button to move the water softening system into backwash. Look for a fast flow of water from the drain hose. A slow flow indicates a plugged top distributor, backwash flow plug or drain hose.
4. Press the **RECHARGE**  button to move the water softening system into fast rinse. Again look for a fast drain flow. Allow the water softening system to rinse for a few minutes to flush out any brine that may remain in the resin tank from the brining cycle test.
5. To return the water softening system to service, press the **RECHARGE**  button.

Checking the Salt Storage Level and Refilling

Brine (salt dissolved in water) is needed for each and every recharge. The water for making brine is metered into the salt storage area by the water softening system valve and control.

However, you must keep the tank supplied with salt.

When to refill with salt: Check the salt level a few weeks after you install the water softening system and periodically after that. Refill when the tank gets less than 1/3 full. In humid areas it is best to refill with less salt and more often, to avoid forming a salt bridge (see page 14). Never allow the softening system to use all the salt before you refill it. Without salt, you will soon have hard water.

Use clean water softening salts only, at least 99.5% pure. NUGGET, PELLET or coarse SOLAR salts are recommended. **Do not use rock, block, granulated or ice cream making salts.** They contain dirt and sediments, or mush and cake, and will create maintenance problems.

⚠ CAUTION: **Water softening salt with iron removing additives:** Some salts may have an additive to help the water softening system handle iron in the water supply. Although this additive may help to keep the water softening system resin clean, it may also release corrosive fumes that weaken and shorten the life of some water softening system parts. GE recommends using only Diamond Crystal® Red•Out® brand salt.

Cleaning Iron Out of the Water Softening System

Your water softening system takes hardness minerals (calcium and magnesium) out of the water. Also, it can control some (see the *Specification Guidelines* section) "clear water" iron. With clear water iron, water from a faucet is clear when first put into a glass. After 15 to 30 minutes, the water begins to cloud or turn rust colored. A water softening system **will not** remove any iron that makes the water cloudy or rusty as it comes from the faucet (called red water iron). To take red water iron out of water, or over the maximum of clear water iron, an iron filter or other equipment is needed.

GE recommends using only Diamond Crystal® Red•Out® brand salts with Iron Fighter® additive to help keep the resin bed clean of clear iron. If your water supply has clear water iron, periodic resin bed cleaning is needed. GE recommends using Super Iron Out® brand resin bed cleaner to thoroughly clean your resin bed if your iron content is high. Clean the bed at least every six months, or more often if iron appears in the soft water between cleanings.

IMPORTANT: It is important to mix the resin bed cleaner with water (following the manufacturer's instructions), pour it into the **brinewell tube** (see page 5) and recharge the softener immediately. Do not pour the resin bed cleaner in with the salt, as it will not be as effective in cleaning the resin, and can cause damage to the softener if it is left in the brine tank for an extended period due to the corrosive gases that are formed.

Before you call for service...




Troubleshooting Tips
Save time and money! Review the chart on the following pages first and you may not need to call for service.

NO SOFT WATER – Most Common Problems:

Check the following before calling for service:

- Not enough salt—should be at least 1/3 full.
- Bypass valve in “Bypass” position—knob should be in the “OUT” (service) position.
- Hardness setting too low. Check hardness setting and adjust. Verify hardness of supply water—from local water company, water test or call the GE Answer Center.
- Salt Bridge—salt solidifies above water level so that brine water is not in contact with salt. See the *Breaking a Salt Bridge* section.

Problem	Possible Causes	What To Do
No soft water	Faucet or fixture where sample was taken not plumbed to soft water. <i>NOTE: Be sure sample is from a faucet that does not mix soft and hard water. For example, a single lever kitchen faucet, if the cold side is plumbed to hard water.</i>	<ul style="list-style-type: none"> • To conserve salt, the installer may have isolated some fixtures (outside faucets, toilets, etc.) from soft water. From the outlet of the water softening system, trace the water flow path, in house plumbing. If soft water is not directed to a faucet or fixture where wanted, consult a plumber.
	No salt in the brine tank or salt bridged	<ul style="list-style-type: none"> • Check for a salt bridge or, if the tank is empty, refill with recommended salt. Press (for 3 seconds) the RECHARGE  button to start an immediate recharge and restore soft water supply.
	Transformer unplugged at wall outlet or power cable to softener not connected. Fuse blown or circuit breaker popped on circuit to electrical outlet. Electrical outlet on a circuit that can continuously be switched off	<ul style="list-style-type: none"> • Check for a loss of electrical power to the water softening system, due to any of these conditions and correct as needed. With the power supply restored, observe the faceplate time display and read <i>Programming the Control</i> section. <i>NOTE: The electrical outlet for the softener should be live so it cannot be accidentally switched off.</i>
	Manual bypass valve in bypass position	<ul style="list-style-type: none"> • Be sure the bypass valve stem is positioned properly, with the knob in the OUT position. Observe instructions on the decal at the end of the stem.
	Valve drain hose pinched, plugged, elevated too high or otherwise restricted	<ul style="list-style-type: none"> • Any restriction in this drain hose may prevent proper operation of the nozzle and venturi and reduce or prevent brine draw during recharge.
	Nozzle and venturi dirty, incorrectly assembled or damaged	<ul style="list-style-type: none"> • Refer to <i>Cleaning the Nozzle and Venturi Assembly</i> instructions. With water pressure to the water softening system off, take the nozzle assembly apart. Inspect, clean and replace as needed. Any foreign particle(s), scratches, nicks, etc., in the passages can prevent operation. Be sure holes in the gasket are centered over holes in the housing.

Problem	Possible Causes	What To Do
<i>Water hard sometimes</i>	Using hot water while the water softening system is regenerating	<ul style="list-style-type: none"> • Avoid using hot water during water softening system recharge because the water heater will refill with hard water. See <i>Automatic Hard Water Bypass During Recharge</i> section, page 13.
	Control HARDNESS number setting too low	<ul style="list-style-type: none"> • Press the MODE button until arrow points to HARDNESS. Be sure the number shown is the same as the actual grains per gallon hardness of your water supply. See the <i>Programming the Control</i> section if a change in the setting is needed.
	Grains of hardness in your water supply have increased	<ul style="list-style-type: none"> • Water hardness can change over time, especially in well water. To check, have the water tested by a water analysis laboratory or call your local water department. Adjust the HARDNESS number setting as needed.
<i>Water feels slippery after installation of water softening system</i>	Absence of hardness minerals	<ul style="list-style-type: none"> • This is normal. Hardness in water gives it the abrasive feel you may have been accustomed to. The slippery feel is the clean feel of soft water.
<i>Water softening system not using any salt</i>	Water softening system is a "demand" unit	<ul style="list-style-type: none"> • Does not use much salt to regenerate—very efficient.
	Possible salt bridge	<ul style="list-style-type: none"> • See the <i>About the Water Softener System</i> section, page 14.
	Possible plugged nozzle and venturi	<ul style="list-style-type: none"> • See the <i>About the Water Softener System</i> section, page 14.
<i>Water is blue color after water softening system was installed</i>	Acidic water in copper plumbing	<ul style="list-style-type: none"> • Have the water tested at once.
<i>Water softening system not regenerating</i>	Meter turbine stuck	<ul style="list-style-type: none"> • See the <i>Service: Manually Initiated Electronics Diagnostics</i> section for troubleshooting procedures, page 17. • Call for service.
	Sensor wire not plugged into the control	<ul style="list-style-type: none"> • See the <i>Service: Manually Initiated Electronics Diagnostics</i> section for troubleshooting procedures, page 17. • Call for service.
	No power to unit	<ul style="list-style-type: none"> • Check the circuit breaker or fuses.
	Mechanical defect	<ul style="list-style-type: none"> • Call for service.
<i>Cloudiness on glassware (automatic dishwashers)</i>	Combination of soft water and too much detergent	<ul style="list-style-type: none"> • This is called <i>etching</i> and is permanent. To prevent this from happening, use less detergent if you have soft water. Wash glassware in the shortest cycle that will get them clean.
<i>Excessive/high level of water in brine tank</i>	Valve drain hose pinched, plugged, elevated too high or otherwise restricted	<ul style="list-style-type: none"> • Any restriction in this drain hose may prevent proper operation of the nozzle and venturi and reduce or prevent brine draw during recharge.
	Nozzle and venturi dirty, incorrectly assembled or damaged	<ul style="list-style-type: none"> • See the <i>Cleaning the Nozzle and Venturi Assembly</i> section, page 14. With water pressure to the water softening system off, take the nozzle assembly apart. Inspect, clean and replace as needed. Any foreign particle(s), scratches, nicks, etc., in the passages can prevent operation. Be sure holes in the gasket are centered over holes in the housing.

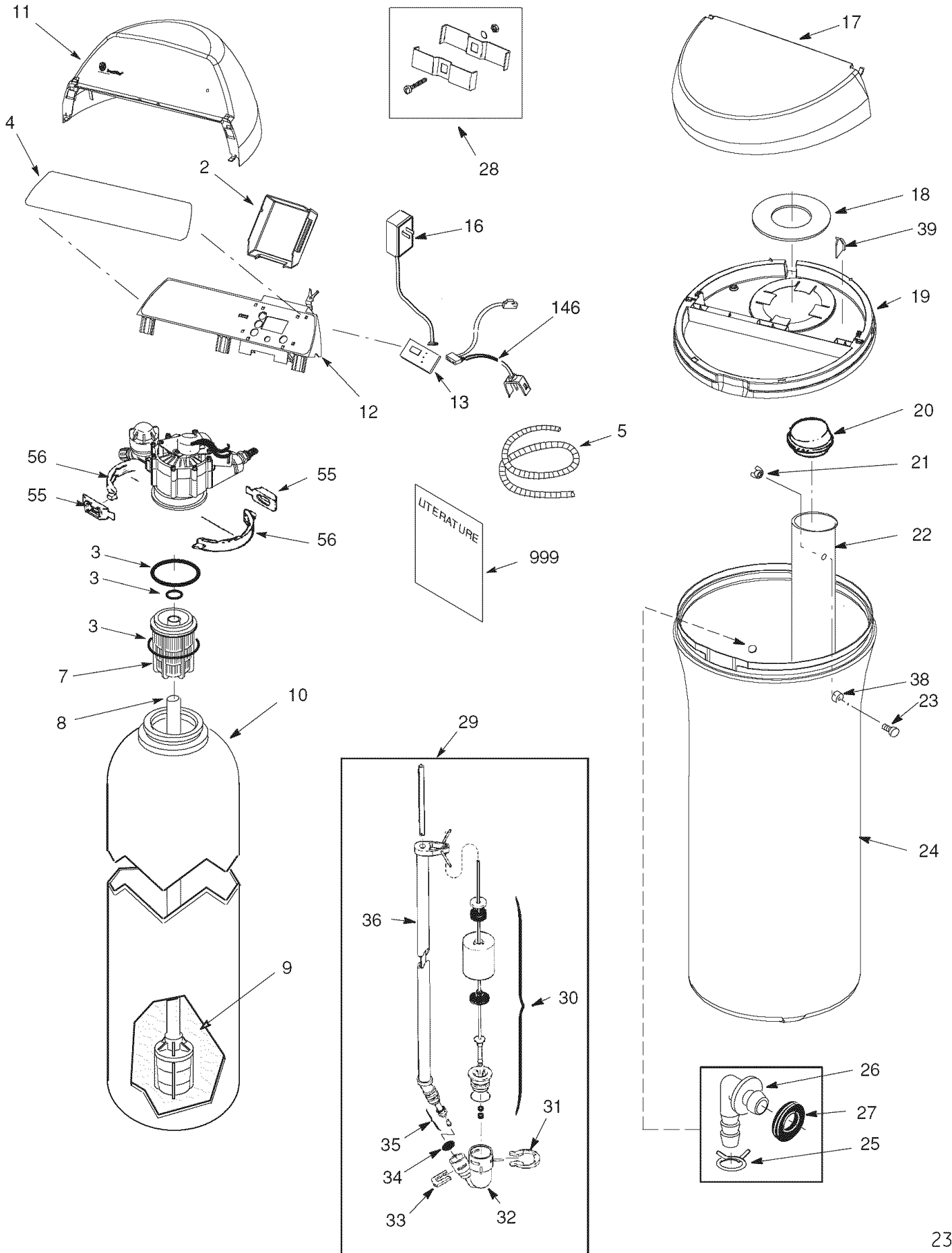
Before you call for service...



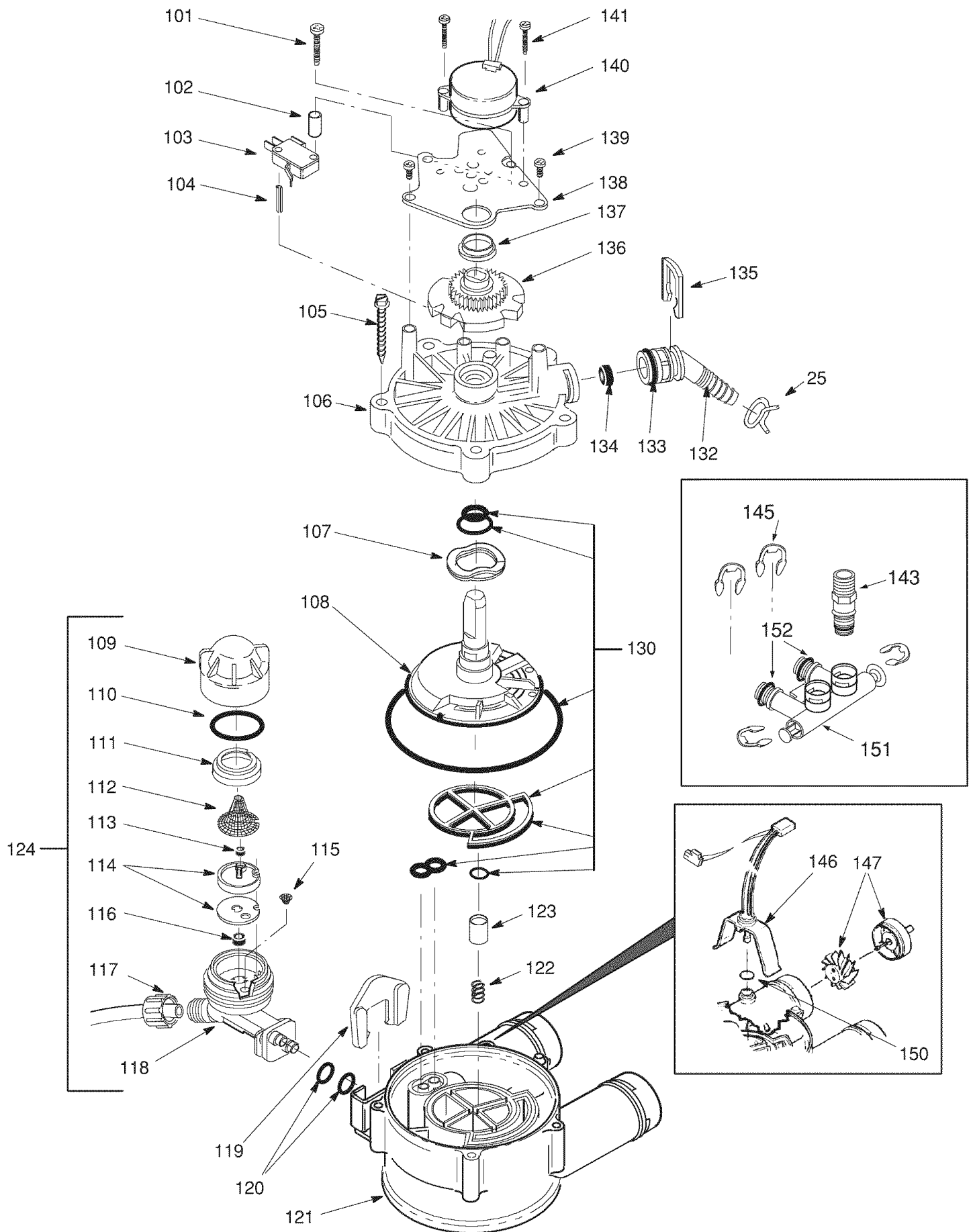
Troubleshooting Tips

Problem	Possible Causes	What To Do
Salty tasting or brown/yellow colored water after installation	Unit not sanitized	<ul style="list-style-type: none"> • Complete the <i>Sanitization Procedures</i> on page 12. • At completion of recharge cycle (approx. 2 hrs), run water from faucets to purge the salty water.
	Low water pressure	Check pressure. <ul style="list-style-type: none"> • Drain height 8' or less, pressure should be minimum of 20 psi. • Drain height above 8', pressure should be minimum of 50 psi.
	Restricted drain hose	<ul style="list-style-type: none"> • Clean and reconnect hose. • Check for kinks in drain line.
Brown/yellow colored water	Unit was idle for a period of time	<ul style="list-style-type: none"> • Complete the <i>Sanitization Procedures</i> on page 12.
Resin beads showing up in drinking water and sink	Cracked distributor	<ul style="list-style-type: none"> • Call for service.
Sounds you might hear	Running water from the unit into a drain during recharge	<ul style="list-style-type: none"> • This is normal.
Water has air bubbles and is cloudy	Air in system after installation	<ul style="list-style-type: none"> • Will go away after it runs for a while.
Error Code on control	Wiring may have worked loose in the control	<ul style="list-style-type: none"> • See page 16 for details. • Unplug transformer. • Remove control cover, release clips on side. • Check for loose/incorrect wiring connections to electronic board or switch. Reconnect as required. • Reassemble control cover. • Plug in Transformer. • Wait six minutes for Error Code to reappear. • If Error Code reappears, call for service.

Parts list.



Parts list.



GENERAL ELECTRIC PARTS CATALOG

G
X
S
F
3
0
H

REF. NO.	PART NO.	PART DESCRIPTION	(02)
0003	WS35X10001	O-RING SEAL KIT	1
0004	WS34X10015	DECAL, FACEPLATE	1
0005	WS07X10004	HOSE, DRAIN, 20 FT.	1
0007	WS14X10002	DISTRIBUTOR, TOP	1
0008	WS14X10001	DISTRIBUTOR, BOTTOM	1
0009	WS01X10002	RESIN, 1 CU. FT.	1
0010	WS32X10011	RESIN TANK, 9 X 40	1
0011	WS31X10022	COVER, TOP W/ LENS	1
0012	WS31X10023	FACEPLATE	1
0013	WS21X10017	CONTROL	1
0016	WS26X10013	TRANSFORMER WITH POWER CORD	1
0017	WS31X10021	COVER, SALT HOLE, WITH LABELS	1
0018	WS33X10001	VAPOR BARRIER	1
0019	WS33X10007	RIM	1
0020	WS31X10024	COVER, BRINEWELL W/ DECAL	1
0021	WS02X10009	NUT	1
0022	WS32X10017	BRINEWELL W/ DECAL	1
0023	WS02X10027	SCREW	1
0024	WS32X10016	TANK, BRINE, ROUND	1
0025	WS18X10003	CLAMP, HOSE	2
0026	WS22X10016	ADAPTER, HOSE	1
0027	WS22X10017	GROMMET	1
0028	WS35X10035	GROUND CLAMP KIT	1
0029	WS15X10035	BRINE VALVE ASM.	1
0030	WS35X10036	FLOAT, STEM & GUIDE	1
0031	WS03X10006	CLIP	1
0032	WS15X10006	VALVE BODY, BRINE	1
0033	WS03X10007	CLIP	1
0034	WS03X10008	SCREEN	1
0035	WS07X10002	TUBING ASM.	1
0036	WS07X10015	BRINE TUBE ASM.	1
0037	WS31X10018	BACK COVER, ELECTRONICS	1
0038	WS02X10029	SPACER	1
0039	WS02X10030	FACEPLATE SUPPORT	1
0055	WS28X10003	RETAINER CLAMP	2
0056	WS28X10004	CLAMP	2
0101	WS02X10012	SCREW	1
0102	WS02X10013	SPACER	1
0103	WS21X10003	SWITCH	1
0104	WS03X10009	PIN, EXPANSION	1
0105	WS02X10014	SCREW	5
0106	WS31X10006	COVER, VALVE	1
0107	WS03X10010	WAVE SPRING	1
0108	WS26X10002	ROTOR & DISC ASM.	1
0109	WS19X10004	CAP, VENTURI	1
0110	WS03X10011	SEAL, O-RING	1

NOTE: Codes in the State of Massachusetts require installation by a licensed plumber and do not permit the use of the saddle valve. For installation, use plumbing code 248-CMR of the Commonwealth of Massachusetts.

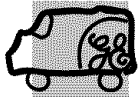


GENERAL ELECTRIC PARTS CATALOG

REF. NO.	PART NO.	PART DESCRIPTION	(02)
0111	WS19X10005	SUPPORT SCREEN	1
0112	WS03X10013	SCREEN	1
0113	WS22X10020	FLOW PLUG, .10 GPM	1
0114	WS08X10005	GASKET & ASPIRATOR	1
0115	WS03X10015	CONE SCREEN	1
0116	WS22X10021	PLUG, FILL FLOW, .30 GPM	1
0117	WS03X10017	FERRULE NUT	1
0118	WS15X10034	NOZZLE/VENTURI BODY	1
0119	WS03X10018	RETAINER	1
0120	WS03X10019	SEAL, O-RING, 1/4" X 3/8"	2
0121	WS15X10010	BODY, VALVE	1
0122	WS03X10020	SPRING	1
0123	WS22X10022	PLUG, DRAIN SEAL	1
0124	WS15X10009	NOZZLE/VENTURI ASM.	1
0130	WS35X10005	SEAL KIT, 3/4"	1
0132	WS22X10023	ADAPTER, DRAIN HOSE	1
0133	WS03X10021	O-RING, 5/8" X 13/16"	1
0134	WS03X10022	PLUG, FLOW, RINSE CONTROL	1
0135	WS03X10023	CLIP	1
0136	WS26X10003	CAM & GEAR	1
0137	WS26X10004	BEARING	1
0138	WS26X10005	PLATE, MOTOR, 3/4"	1
0139	WS02X10015	SCREW, #6-20 X 3/8"	2
0140	WS26X10011	MOTOR ASM.	1
0141	WS02X10016	SCREW, #6-20 X 7/8"	2
0143	WS60X10013	ADAPTER—NPT THREADED—STD VALVE	2
0145	WS60X10004	CLIP	4
0146	WS28X10017	HARNESS WIRE, SENSOR ASSY., 3/4"	1
0147	WS19X10006	TURBINE & SUPPORT ASM.	1
0150	WS03X10024	SEAL, O-RING	4
0151	WS15X10053	BYPASS VALVE ASM.	1
0152	WS03X10025	SEAL, O-RING	4
0999	49-50177	OWNER'S MANUAL	1
	WS60X10014	INSTALLATION KIT	1

NOTE: Codes in the State of Massachusetts require installation by a licensed plumber and do not permit the use of the saddle valve. For installation, use plumbing code 248-CMR of the Commonwealth of Massachusetts.

GE Water Softening System Warranty. (For Customers in the United States)



All warranty service provided by our SmartWater™ Authorized Servicer Network. To schedule service, call 800.952.5039 (U.S.) or 866.777.7627 (Canada). Please have serial number and model number available when calling for service.

Staple your receipt here.
Proof of the original purchase date is needed to obtain service under the warranty.

For The Period Of: We Will Replace:

One Year From the date of the original purchase	Any part of the Water Softening System which fails due to a defect in materials or workmanship. During this limited one-year warranty , GE will also provide, free of charge , all labor and related service to replace the defective part.
Three Years From the date of the original purchase	The electronic monitor , if it fails due to a defect in materials or workmanship. During this three-year limited warranty , you will be responsible for any labor or related service costs.
Ten Years From the date of the original purchase	A replacement brine tank or cabinet , if either fails due to a defect in materials or workmanship. During this ten-year limited warranty , you will be responsible for any labor or related service costs.

What Is Not Covered:

- Service trips to your home to teach you how to use the product.
- Improper installation, delivery or maintenance.
- Failure of the product if it is abused, misused, altered, used commercially or used for other than the intended purpose.
- Use of this product where water is microbiologically unsafe or of unknown quality, without adequate disinfection before or after the system. Systems certified for cyst reduction may be used on disinfected water that may contain filterable cysts.
- Replacement of house fuses or resetting of circuit breakers.
- Damage to the product caused by accident, fire, floods or acts of God.
- Incidental or consequential damage caused by possible defects with this appliance, its installation or repair.
- Product not accessible to provide required service.

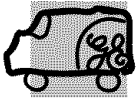
EXCLUSION OF IMPLIED WARRANTIES—Your sole and exclusive remedy is product repair as provided in this Limited Warranty. Any implied warranties, including the implied warranties of merchantability or fitness for a particular purpose, are limited to one year or the shortest period allowed by law.

This warranty is extended to the original purchaser and any succeeding owner for products purchased for home use within the USA. If the product is located in an area where service by a GE Authorized Servicer is not available, you may be responsible for a trip charge or you may be required to bring the product to an Authorized GE Service location for service. In Alaska, the warranty excludes the cost of shipping or service calls to your home.

Some states do not allow the exclusion or limitation of incidental or consequential damages. This warranty gives you specific legal rights, and you may also have other rights which vary from state to state. To know what your legal rights are, consult your local or state consumer affairs office or your state's Attorney General.

Warrantor: General Electric Company, Louisville, KY 40225

GE Water Softening System Warranty. (For Customers in Canada)



All warranty service provided by our Factory Service Centers or an authorized technician. For service, call toll free 1.866.777.7627. Please have serial number and model number available when calling for service.

For The Period Of: We Will Replace:

One Year From the date of the original purchase	Any part of the Water Softening System which fails due to a defect in materials or workmanship. During this limited one-year warranty , GE will also provide, free of charge , all labor and related service to replace the defective part.
Three Years From the date of the original purchase	The electronic monitor , if it fails due to a defect in materials or workmanship. During this three-year limited warranty , you will be responsible for any labor or related service costs.
Ten Years From the date of the original purchase	A replacement brine tank or cabinet , if either fails due to a defect in materials or workmanship. During this ten-year limited warranty , you will be responsible for any labor or related service costs.

What Is Not Covered:

- Service trips to your home to teach you how to use the product.
- Improper installation, delivery or maintenance.
- Failure of the product if it is abused, misused, altered, used commercially or used for other than the intended purpose.
- Use of this product where water is microbiologically unsafe or of unknown quality, without adequate disinfection before or after the system. Systems certified for cyst reduction may be used on disinfected water that may contain filterable cysts.
- Replacement of house fuses or resetting of circuit breakers.
- Damage to the product caused by accident, fire, floods or acts of God.
- Incidental or consequential damage caused by possible defects with this appliance, its installation or repair.
- Product not accessible to provide required service.

EXCLUSION OF IMPLIED WARRANTIES—Your sole and exclusive remedy is product repair as provided in this Limited Warranty. Any implied warranties, including the implied warranties of merchantability or fitness for a particular purpose, are limited to one year or the shortest period allowed by law.

This warranty is extended to the original purchaser and any succeeding owner for products purchased for home use within Canada. In-home warranty service will be provided in areas where it is available and deemed reasonable by Mabe to provide.

WARRANTOR IS NOT RESPONSIBLE FOR CONSEQUENTIAL DAMAGES.

Warrantor: MABE CANADA INC.

Información de seguridad30

Instrucciones

de instalación31-40

Instrucciones paso por paso34-40

Instrucciones de operación

Cómo limpiar la ensambladura

de la boquilla y el Venturi43

Cómo romper un puente de sal42

Funciones44

Servicio41, 44-47

Sistema de descalcificación

de agua41-47

Cuidado y limpieza48

Consejos para la solución

de averías49-51

Soporte al cliente

Garantía58

Lista de partes/catálogo54-57

Soporte al consumidor59

**Escriba aquí los números de modelo
y de la serie:**

Modelo No. _____

Serie No. _____

Para encontrar estos números,
levante la cubierta y mire en el borde,
debajo del panel del control.



INFORMACIÓN IMPORTANTE DE SEGURIDAD. LEA TODAS LAS INSTRUCCIONES ANTES DEL USO.

⚠️ ADVERTENCIA

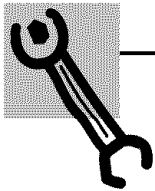
Por su seguridad, se debe seguir la información en este manual con el fin de reducir el riesgo de una descarga eléctrica, daños a la propiedad o daños personales.



PRECAUCIONES DE SEGURIDAD

- Revise y cumpla con todos los códigos estatales y locales. Observe las pautas aquí presentadas.
- Tenga cuidado al manipular el sistema de descalcificación de agua. No lo voltee, deje caer, arrastre o coloque en protuberancias extremas.
- Los sistemas de descalcificación de agua que utilicen cloruro de sodio (sal) para la recarga agregan sodio al agua. *Las personas que siguen dietas con restricciones de sodio deben considerar el sodio adicional como parte de su consumo general. El cloruro de potasio puede servir como una alternativa para el cloruro de sodio de su descalcificador.*
- El sistema de descalcificación de agua funciona solamente con 24 voltios-60 Hz. *Cerciórese de usar exclusivamente el transformador incluido.*
- El transformador se debe conectar únicamente a un tomacorriente interior con conexión a tierra de 120 voltios.
- Utilice únicamente sales para descalcificación del agua, al menos con 99,5% de pureza. Se recomiendan las sales en PEPITAS, BOLITAS o SAL GRUESA SOLAR. No utilice sales en roca, bloque, granuladas o sales para la elaboración de helados. Éstas pueden contener suciedad y sedimentos, o pasta y masa y podrían crear problemas de mantenimiento.
- Mantenga la tapa del orificio de la sal en su lugar en el descalcificador a menos que esté realizando mantenimiento o reponiendo la sal.

⚠️ ADVERTENCIA: No use con agua que sea microbiológicamente insegura o de calidad desconocida sin llevar a cabo la desinfección adecuada antes o después del sistema.



INSTALACIÓN CORRECTA

Este sistema de descalcificación de agua debe instalarse correctamente y colocarse de acuerdo a las instrucciones de instalación antes de su uso.

- Instale o almacene donde no quede expuesto a temperaturas por debajo del punto de congelación ni esté expuesto a ningún tipo de inclemencias atmosféricas. Si el agua llega a congelarse dentro del sistema, éste podría romperse. No intente dar tratamiento al agua si se encuentra a una temperatura por encima de 38 °C (100 °F).
- **No** instale expuesto a los rayos directos del sol. Exposición al sol a calor excesivos podrían causar distorsión u otros daños a las partes no metálicas.
- Conecte a tierra de manera apropiada según los códigos y ordenanzas aplicables.
- Use solamente *fundente y soldadura sin plomo* para todas las conexiones de condensación soldadas, según los códigos estatales y federales aplicables.
- El sistema de descalcificación de agua requiere un flujo de agua mínimo de tres galones por minuto en la entrada. La presión de entrada máxima permitida es de 125 psi. Si la presión durante el día es por encima de 80 psi, la presión nocturna podría exceder el máximo. Use una válvula reductora de presión para reducir el flujo si es necesario.
- Las resinas de descalcificación podrían degradarse ante la presencia de cloro por encima de 2 ppm. Si usted tiene una cantidad de cloro mayor a ésta, quizás experimente una vida menor de la resina. En estas condiciones, es posible que quiera considerar la compra de un sistema de filtración del punto de admisión para casas GE con un filtro reductor de cloro.

⚠️ ADVERTENCIA: Deseche todas las partes y los materiales de embalaje no utilizados después de la instalación. Partes pequeñas restantes después de la instalación podrían representar un peligro de asfixia.



LEA Y SIGA ESTA INFORMACIÓN DE SEGURIDAD CUIDADOSAMENTE.
GUARDE ESTAS INSTRUCCIONES

? ¿Preguntas? Llame 800.GE.CARES (800.432.2737) o Visite nuestra página en la red en: ge.com

⚠ ADVERTENCIA: Lea este manual en su totalidad. No seguir todas las pautas y normas podría causar lesiones personales o daños a la propiedad.

- Consulte con la autoridad de obras públicas estatal/local para los códigos de plomería. Deberá seguir estas pautas para instalar el sistema de filtración de agua.

NOTA: No cumplir con estas instrucciones de instalación invalidará la garantía del producto, y el instalador será responsable por cualquier servicio, reparación o daños causados.

ANTES DE EMPEZAR LA INSTALACIÓN

Lea estas instrucciones completa y cuidadosamente.

- **IMPORTANTE** — Guarde estas instrucciones para uso del inspector local.
- **IMPORTANTE** — Observe todos los códigos y ordenanzas vigentes.
- **Nota al instalador** – Asegúrese de dejar estas instrucciones al consumidor.
- **Nota al consumidor** – Conserve estas instrucciones para consultas posteriores.
- La instalación apropiada es la responsabilidad del instalador.
- Las averías del producto causadas por una instalación inadecuada no están cubiertas por la garantía.
- Debe existir una válvula de cierre disponible o se debe agregar una cerca al punto de instalación.

RECOMENDACIONES IMPORTANTES PARA LA INSTALACIÓN

- En el estado de Massachusetts, la instalación debe ajustarse al Código de Plomería 248 CMR. Consulte a su plomero certificado.
- Use solamente fundente y soldadura sin plomo para todas las conexiones de condensación soldadas, según los códigos estatales y federales aplicables.
- Conecte el descalcificador en la tubería de suministro principal **antes** del calentador de agua. **NO HAGA PASAR AGUA CALIENTE A TRAVÉS DEL DESCALCIFICADOR.** La temperatura del agua que pase a través del descalcificador debe ser menor de 49 °C (120 °F).

RECOMENDACIONES IMPORTANTES PARA LA INSTALACIÓN (CONT.)

- Tenga cuidado cuando manipule el descalcificador. No lo coloque boca arriba, ni lo deje caer, ni lo arrastre, ni lo apoye en protuberancias.
- La presión de entrada máxima permitida es de 125 psi. Si la presión durante el día es por encima de 80 psi, la presión nocturna podría exceder el máximo. Use una válvula reductora de presión para reducir el flujo si es necesario. (Agregar una válvula reductora de presión podría reducir el flujo.)
- El sistema de descalcificación funciona solamente con 24 voltios-60 Hz. Cerciórese de usar exclusivamente el transformador incluido. Cerciórese de que el tomacorriente eléctrico y el transformador están en el interior de un recinto para protegerlos de la humedad.
- Consulte la sección *Donde instalar el descalcificador* para más detalles.

⚠ ADVERTENCIA: No use con agua que sea microbiológicamente insegura o de calidad desconocida sin llevar a cabo la desinfección adecuada antes o después del sistema. El agua debe probarse periódicamente para verificar que el sistema se encuentra funcionando satisfactoriamente.

- Partes pequeñas restantes después de la instalación podrían representar un peligro de asfixia. Deseche con toda seguridad.

Instrucciones de instalación

DESEMPACADO E INSPECCIÓN

Cerciórese de inspeccionar completamente el descalcificador en busca de daños durante el envío o partes que puedan haberse perdido. También revise en busca de daños en la caja de envío. Póngase en contacto con la compañía de transporte para cualquier reclamo por daño o pérdida. El fabricante no es responsable por daños sufridos durante el tránsito.

Las partes pequeñas necesarias para instalar el descalcificador se encuentran en una pieza de cartón termoconformada. Para evitar la pérdida de las partes pequeñas, manténgalas en el paquete termoconformado hasta que usted esté listo para usarlas. Cerchiórese de no descartar componentes que podrían estar escondidos en el embalaje.

HERRAMIENTAS Y MATERIALES NECESARIOS PARA LA INSTALACIÓN

- Alicates
- Destornillador
- Cinta de teflón
- Cuchilla
- Dos llaves ajustables
- Se pueden requerir herramientas adicionales, si se necesita efectuar modificaciones a la plomería de la vivienda.
- Los accesorios de entrada y salida incluidos con el descalcificador están adaptadores macho NPT de 1" (2,5 cm). Debe mantener un tamaño igual o mayor de tubos que los tubos del suministro del agua, hacia la entrada y salida del descalcificador. Luego use los adaptadores necesarios para conectar el suministro de agua, hacia los adaptadores macho NPT de 1" (2,5 cm).
- Use la válvula de bypass incluida para instalar el descalcificador. La válvula de bypass le permite desconectar el suministro de agua hacia el descalcificador para efectuar servicio, pero aún mantiene el agua llegando a las tuberías de la casa. Los adaptadores macho NPT a que nos referimos anteriormente se conectan a la válvula de bypass con las tuercas y arandelas incluidas.
- Utilice material de conexión/tubería apropiado (por ejemplo: cobre, latón, galvanizado o CPVC) para conectar los adaptadores plásticos NPT de 1" a la plomería de la vivienda.
- Si una manguera adicional es necesaria para el drenaje de la válvula y el tanque de sal, usted la puede solicitar en Accesorios GE llamando al 800.626.2002, no. de parte WS07X10004.
- Si necesita una válvula rígida de drenaje para cumplir con los códigos de plomería, podrá comprar las partes necesarias para conectar un drenaje de tubería de cobre o plástico de 1/2" (1,27 cm). Consulte el *Paso 4*.
- Sal del descalcificador en una pepita limpia o bolita de agua es necesaria para llenar el tanque de agua salmuera. Consulte el *Paso 8*.

DONDE INSTALAR EL DESCALCIFICADOR

- Coloque el descalcificador lo más cercano posible a un sumidero, o a otro punto de drenaje o columna de suministro.
- Se recomienda que los grifos externos se dejen con agua dura para así ahorrar agua descalcificada y sal.
- No instale el descalcificador en un lugar donde se pueda congelar. **Los daños debido al congelamiento no están cubiertos por la garantía.**
- No instale el descalcificador donde pueda bloquear el acceso al calentador de agua o el acceso a la válvula de cierre principal del agua.
- Coloque el descalcificador en un lugar donde sea menos probable que ocurra daño causado por el agua si es que eventualmente ocurriese alguna fuga. El fabricante no reparará ni pagará por daños ocasionados por agua.
- Un tomacorriente de 120 voltios es necesario para conectar el transformador que viene incluido. El descalcificador tiene un cable eléctrico de 10 pies. Si el tomacorriente está colocado demasiado lejos (hasta 100 pies), use un cable calibre 18 para conectarlo. **Cerchiórese de que el tomacorriente eléctrico y el transformador estén en el interior de un recinto para protegerlos de la humedad.** Cerchiórese de que el tomacorriente esté desconectado para prevenir un corte eléctrico accidental.
- Si se dispone a llevar a cabo la instalación en el exterior, debe tomar las medidas necesarias para asegurarse de que el descalcificador, la instalación de plomería, el cableado, etc. están también protegidos de los elementos (rayos del sol, lluvia, viento, calor, frío), de la contaminación, vandalismo, etc. tal y como lo estarían si fueran instalados internamente. **La instalación en el exterior no es recomendada, y anula la garantía.**
- **Mantenga el descalcificador alejado de los rayos directos del sol.** El calor del sol podría causar distorsión u otros daños a las partes no metálicas y podría hacer daño a las partes electrónicas.

Instrucciones de instalación

PLANIFIQUE LA INSTALACIÓN DEL DESCALCIFICADOR

Lo primero que debe decidir es cómo instalar las tuberías que entran y salen del descalcificador. Fíjese en la tubería de agua en el punto donde conectará el descalcificador. ¿La tubería está soldada con cobre, pegada con plástico, o roscada galvanizada? ¿Cuál es el tamaño de la tubería?

⚠ ADVERTENCIA: Use solamente fundente y soldadura sin plomo para evitar envenenamiento de plomo.

Consulte la *Ilustración de instalación normal*. Úsela como una guía para planificar su instalación particular. **Cerciórese de dirigir el suministro de agua dura entrante al acoplamiento de admisión de la válvula del descalcificador.** La válvula está marcada IN (ENTRADA) y OUT (SALIDA).

ILUSTRACIÓN DE INSTALACIÓN NORMAL

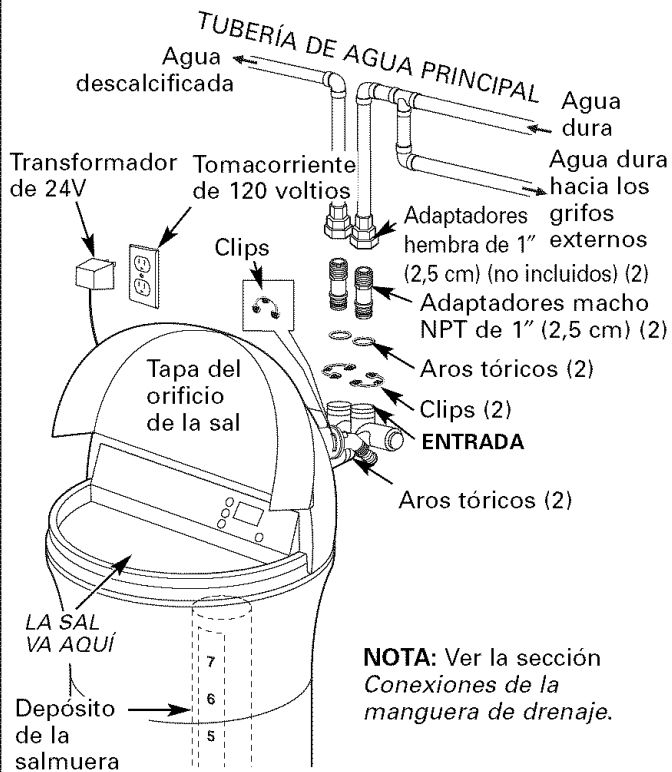


Fig. 1 VÍA DE ENLACE

Úsela si el flujo de suministro fluye desde la izquierda. Incluya una derivación sencilla o de 3 válvulas.

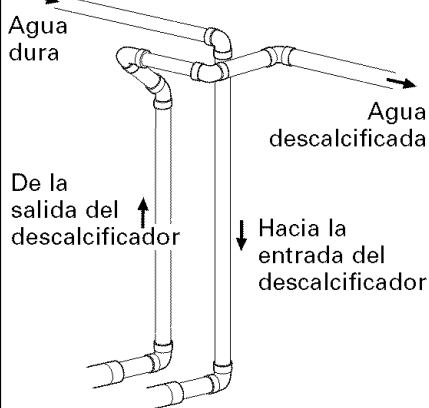


ILUSTRACIÓN DE LA INSTALACIÓN OPCIONAL DE UNA DERIVACIÓN DE 3 VÁLVULAS

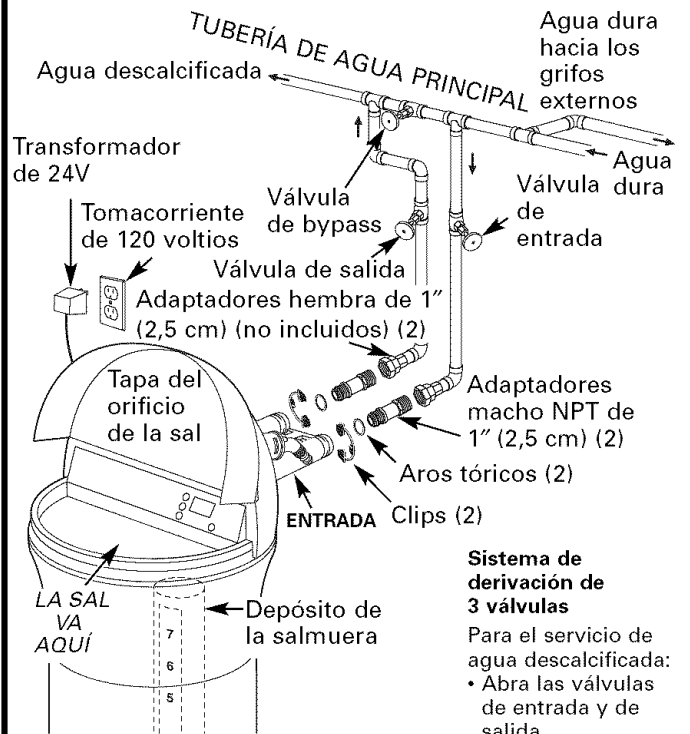
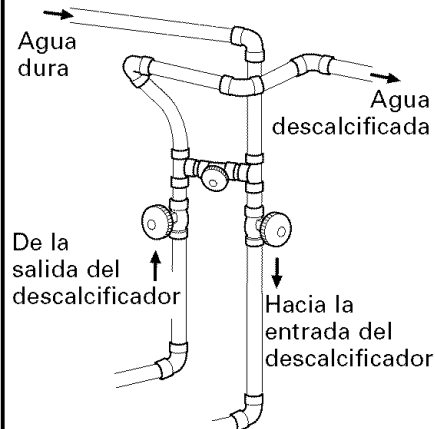


Fig. 2 VÍA DE ENLACE

Úsela si el flujo de suministro fluye desde la izquierda. Incluya una derivación sencilla o de 3 válvulas.



Instrucciones de instalación

ANTES DE COMENZAR

- Suspense el suministro de gas o de energía eléctrica que alimenta el calentador de agua, en la posibilidad de que el calentador pueda drenarse mientras usted drene las tuberías.
- Desconecte el suministro de agua hacia los tubos que han de ser cortados y drene las tuberías de agua de la casa.
- Abra los grifos de agua caliente y los de agua fría en una ubicación baja.

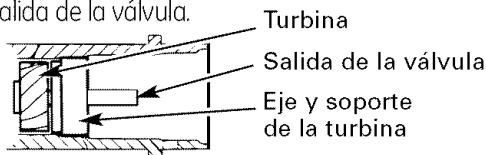
NOTA: Para una más fácil instalación, remueva la cubierta superior. Libere los dos ganchos en la parte posterior de la cubierta. Rote la cubierta hacia adelante y levante.

2 MUEVA LA ENSAMBLADURA DEL DESCALCIFICADOR HACIA SU POSICIÓN DE INSTALACIÓN

Antes de deslizar el descalcificador a su lugar, cerciórese de que la superficie de instalación se encuentre nivelada y lisa. Cualquier objeto cortante debajo del tanque podría causar una hendidura en el mismo. Si es necesario, coloque el tanque sobre una sección de plywood de un grueso máximo de 1,91 cm (3/4"). Luego, coloque cuñas debajo del plywood según sea necesario para nivelar el descalcificador. Deslice el descalcificador a su lugar.

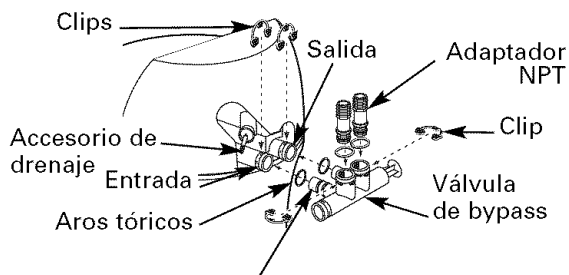
1 INSTALE LA VÁLVULA DE BYPASS

- Remueva el tapón plástico de embalaje y el cable de la salida de la válvula.



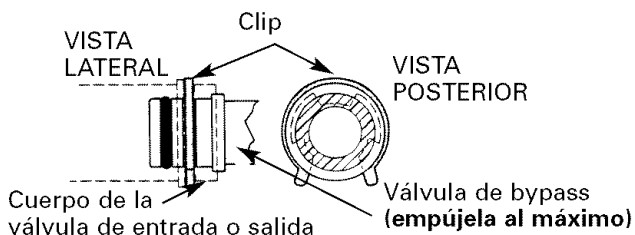
NOTA: Cerciórese de que la turbina y el soporte se encuentren firmes en sus posiciones en la salida de la válvula. Sople hacia la boquilla de la válvula y observe que la turbina se encuentra rotando libremente.

- Empuje la válvula de bypass (lubrique los aros tóricos con grasa de silicona) hacia ambas boquillas de la válvula como se muestra.



El sello del aro tórico va en la muesca externa solamente. El clip engrapa en la muesca interna (ver más adelante).

- Enganche los dos clips plásticos en sus posiciones, a partir de la parte superior y hacia abajo, como se muestra.



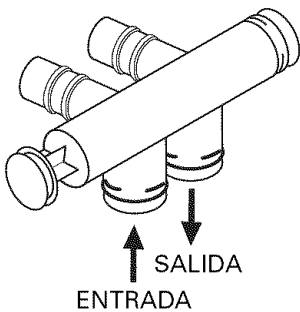
- Empuje los adaptadores NPT (lubrique los aros tóricos con grasa de silicona) en ambas entradas de la válvula como se muestra.
- Asegure los dos clips plásticos grandes en su lugar, lateralmente, como se muestra.

Instrucciones de instalación

3 CONECTE LAS TUBERÍAS QUE ENTRAN Y SALEN DEL DESCALCIFICADOR

⚠ PRECAUCIÓN: Siga todas las precauciones siguientes mientras conecta la plomería de entrada y salida. Vea la ilustración de instalación normal.

- CERCÍOARSE DE QUE EL SUMINISTRO DE **AGUA DURA** DE ENTRADA ESTÉ DIRECTAMENTE CONECTADO AL PUERTO DE **ENTRADA** DE LA VÁLVULA DEL DESCALCIFICADOR. Si el flujo del agua de la casa viene desde la izquierda, use una **vía de enlace** de plomería como se muestra en la ilustración de instalación normal. Si el agua de la casa fluye hacia arriba desde el piso de la casa, voltee la válvula de bypass boca abajo como se muestra.



Gire la válvula de bypass boca arriba para conectar a la tubería al nivel del piso

- Manteniendo el descalcificador en su lugar, determine la longitud correcta de la tubería necesaria para conectar las tuberías de su hogar al adaptador macho NPT.
- Retire el descalcificador del lugar de instalación.
- Si se dispone a llevar a cabo una instalación con soldadura de cobre, **haga todas las soldaduras de condensación antes de conectar los tubos a los adaptadores NPT y a la válvula de bypass.** El calor de antorcha dañará las partes plásticas.
- Cuando se encuentre girando accesorios de tubería roscados en accesorios plásticos, **cerciórese de no cruzar las roscas.**
- Use la cinta de teflón en todas las roscas externas.
- Apoye la tubería de entrada y de salida de alguna manera (use colgadores de tubería) **para evitar que el peso se deposite sobre los ajustes de las válvulas.**
- Deslice el descalcificador nuevamente a su lugar.
- Realice las conexiones finales a la válvula de bypass y asegure los clips en su lugar.

Compruebe que los clips para la válvula de bypass y los adaptadores NPT se aseguran en su lugar. Jale la válvula de bypass y los adaptadores NPT para verificar que las piezas se mantienen seguras en su lugar.

4 CONECTE Y HAGA FUNCIONAR LA MANGUERA DE DRENAJE DE LA VÁLVULA

- Use la manguera de drenaje (se ha incluido una de 20 pies) para adherirla al accesorio de drenaje de la válvula. Para evitar que la presión del agua expulse la manguera, use la abrazadera de resorte provista para asegurarla en su lugar. Corte la longitud necesaria y use la parte restante en el Paso 5.

- Ubique el otro extremo de la manguera en un punto apropiado para drenar (drenaje de piso, sumidero, tina de lavandería, etc.) que termine en el sistema de alcantarillado.

Cerciórese de cumplir con los códigos locales.

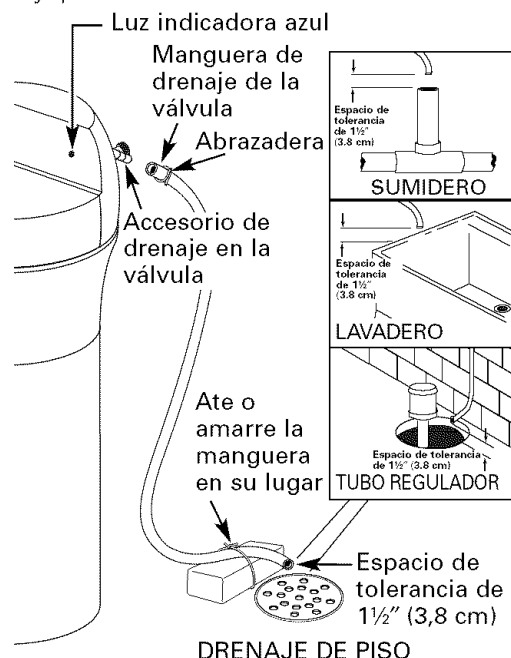
IMPORTANTE: Si necesita más manguera de drenaje, ordénela llamando al Departamento de Partes de GE al 800.626.2002, no. de parte WS07X10004. **El descalcificador de agua no funciona si el agua no escapa por esta manguera durante las regeneraciones.**

- Ate o amarre la manguera en un lugar cercano al punto de drenaje. Una alta presión de agua podría causar que el extremo de la manguera se mueva erráticamente durante los ciclos de lavado regresivo y enjuague rápido de la regeneración. **También deje una tolerancia de aire de al menos 1 1/2" (3,81 cm) entre el extremo de la manguera y el punto de drenaje.** Este espacio previene que ocurra un efecto sifón del agua de alcantarillado hacia el descalcificador, si ocurriese un ciclo de lavado regresivo.

Instrucciones de instalación

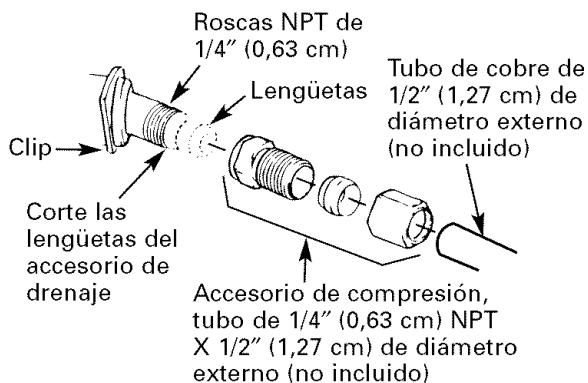
4 CONECTE Y HAGA FUNCIONAR LA MANGUERA DE DRENAJE DE LA VÁLVULA (CONT.)

- Elevar la manguera de drenaje podría causar una presión negativa que podría reducir la toma del contenido de sal durante las regeneraciones. Si fuera necesario levantar la manguera de drenaje hasta un nivel superior al descalcificador para llegar hasta el punto de drenaje, mida primero la presión de entrada de agua hacia el descalcificador. Para las presiones de entrada entre 20 y 50 psi, no eleve más de 8 pies (2,67 m) por encima del piso. Para la presión de entrada por encima de 50 psi, la manguera de drenaje podría levantarse a una altura máxima de 14 pies.



CÓMO CONECTAR UN TUBO DE DRENAJE DE VÁLVULA RÍGIDA

Para adaptar un tubo de drenaje de cobre al descalcificador, use una sierra de arco para cortar el extremo de púa del accesorio de drenaje, tal y como se muestra. Rote el accesorio de drenaje de forma tal que la hoja de corte evite el alojamiento de la válvula para prevenir daños a la válvula. Compre un accesorio de compresión (tubo hembra de rosca de 1/4" [0,63 cm] x 1/2" [1,27 cm] de diámetro externo) y los tubos necesarios en una ferretería local.

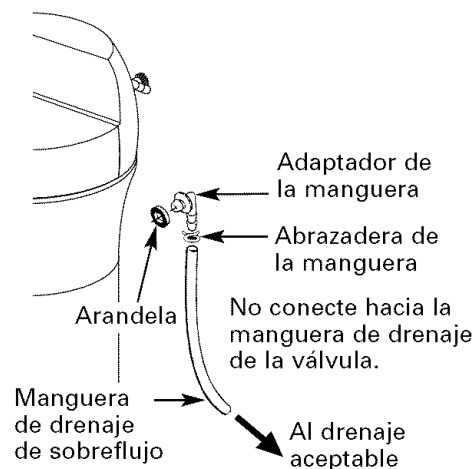


5 INSTALE LOS ACCESORIOS DE SOBREFLUJO DEL TANQUE DE SALMUERA Y LA MANGUERA

- Inserte una arandela de goma en el agujero de 3/4" (1,91 cm) de diámetro en el lado del tanque de salmuera como se muestra.
- Empuje el extremo del codo adaptador de la manguera hacia la arandela como se muestra.
- Adhiera la manguera (use la manguera que sobre del Paso 4) al codo adaptador de la manguera. Use una abrazadera de mangueras para mantenerla firmemente en su lugar.
- Ubique el otro extremo de la manguera en el punto de drenaje. **NO ELEVE** esta manguera más allá del codo en el tanque de salmuera.

IMPORTANTE: NO CONECTE EN T LA MANGUERA DE SOBREFLUJO HACIA LA MANGUERA DE DRENAJE DE LA VÁLVULA.

NOTA: Este drenaje es para seguridad solamente. Si el gabinete (el tanque de salmuera) se llena demasiado de agua, el agua excesiva se lleva al drenaje.



Instrucciones de instalación

6 INSTALE LA ABRAZADERA DE TIERRA

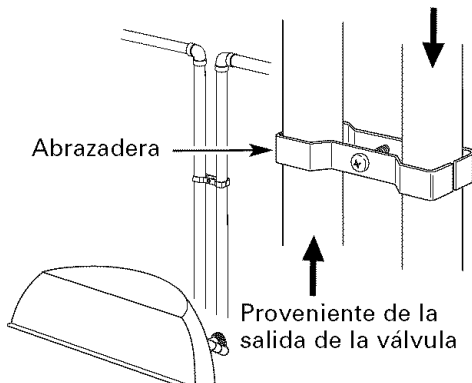
⚠ PELIGRO: No adherir apropiadamente la abrazadera de tierra podría resultar en una descarga eléctrica.

Si las tuberías son de metal, para **mantener continuidad de tierra eléctrica** en la tubería de agua fría, instale la abrazadera de tierra incluida como se muestra.

- Limpie la tubería con papel de esmerilar en el área donde la abrazadera será instalada.
- Instale las abrazaderas de conexión a tierra como se muestra, cerciorándose que las abrazaderas ajustan libremente alrededor de la tubería.
- Cerciórese de que la arandela de cierre está en su lugar.
- Apriete con sus manos el tornillo, luego una vuelta completa adicional con el destornillador.

NOTA: Cuando reemplace un descalcificador existente, también reemplace las abrazaderas de conexión a tierra. Si se dispone a remover el descalcificador completamente, coloque tuberías en las líneas de agua del mismo tipo que las tuberías usadas originalmente para asegurar la integridad de las tuberías y continuidad en la conexión a tierra a lo largo de la vida de la casa.

Hacia la entrada de la válvula



7 PURGUE LAS TUBERÍAS, SAQUE EL AIRE DEL DESCALCIFICADOR Y PRUEBE SU INSTALACIÓN EN BÚSQUEDA DE FUGAS DE AGUA

⚠ PRECAUCIÓN: Para evitar daños por la presión de agua o de aire en las partes internas del descalcificador, cerciórese de dar los pasos siguientes en el mismo orden en que se presentan.

- Abra completamente 2 grifos de agua descalcificada fría en grifos cercanos al descalcificador.
- Abra la válvula de bypass en la posición "bypass" empujando el vástago hacia adentro.
- Abra completamente la válvula de cierre de la tubería del agua principal de la casa. Observe un flujo fijo de ambos grifos abiertos anteriormente.

7 PURGUE LAS TUBERÍAS, SAQUE EL AIRE DEL DESCALCIFICADOR Y PRUEBE SU INSTALACIÓN EN BÚSQUEDA DE FUGAS DE AGUA (CONT.)

- Coloque la válvula de bypass en la posición de "servicio", en la forma EXACTA como le especificamos a continuación. MANTENGA LOS GRIFOS DE AGUA DESCALCIFICADA ABIERTOS.
LENTAMENTE tire o deslice el vástago de la válvula (hacia afuera) hacia "servicio", pausando varias veces para permitir que la presurización del descalcificador comience lentamente.
- Después de unos 3 minutos, abra un grifo de agua CALIENTE por 1 minuto, o hasta que todo el aire haya sido extraído, luego ciérrelo. **NOTA:** Si parece que el agua está turbia o tiene un sabor salado, permita que el sistema funcione por unos minutos más, o hasta que se aclare.
- Cierre todos los grifos de agua.
- Inspeccione en búsqueda de fugas en la tubería que se acaba de llevar a cabo y repare inmediatamente si encuentra alguna. Cerciórese de observar las notas de precaución anteriores.
- Conecte el suministro de gas o eléctrico hacia el calentador de agua. Encienda el piloto si es aplicable.

8 AGREGUE AGUA Y SAL AL TANQUE DE SALMUERA

- Levante la tapa del orificio de la sal. Agregue aproximadamente 3 galones de agua al tanque. No la agregue al depósito de salmuera.
- Llene el tanque con sal de PEPITAS, BOLITAS o sal gruesa SOLAR con una pureza de 99,5% o mayor. **No use** sal en roca, en bloques, granulada, ni de helado (para descongelar hielo), ni **sal con aditivos que elimine el hierro** (excepto la marca Diamond Crystal® Red•Out®). La capacidad de almacenamiento de sal es de aproximadamente 200 libras. Mantenga la tapa del agujero de la sal en su lugar, a no ser que se encuentre realizando servicios de mantenimiento o llenando de sal.

NOTA: Si el descalcificador se instala en un sótano húmedo o en un área demasiado húmeda, es mejor **llenar el tanque con menos sal, y hacerlo más frecuentemente**. De 80 a 100 libras de sal durarán varios meses, dependiendo de la dureza del agua, el tamaño de la familia y del modelo del sistema de descalcificación.

Instrucciones de instalación

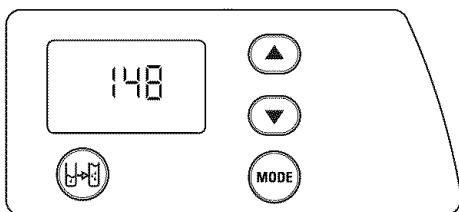
9 CONECTAR A LA FUENTE ELÉCTRICA

Para lograr acceso al transformador/ensambladura del cable eléctrico, remueva la cubierta del agujero de sal del descalcificador. Desengrape las orejillas en la parte posterior de la cubierta superior y rote la cubierta hacia arriba para remover. **NO TIRE O DESCONECTE LOS ALAMBRES.**

- El descalcificador funciona con suministro eléctrico de 24 voltios-60 Hz. El transformador incluido cambia de 120 voltios AC, normal en las residencias, a 24 voltios. **Conecte el transformador en un tomacorriente de 120 voltios solamente.** Cerciórese de que el tomacorriente siempre tenga suministro eléctrico, y que no vaya a ser desconectado accidentalmente.
- Reemplace la cubierta superior.
- Reemplace la cubierta del agujero de sal.

PROGRAMACIÓN DEL CONTROL

PROGRAMACIÓN DEL CONTROL



Es necesario volver a **AJUSTAR LOS CONTROLES** después de la instalación y después de una suspensión prolongada en el suministro eléctrico.

NOTAS:

- CUANDO EL TRANSFORMADOR SE CONECTA EN EL TOMACORRIENTE, la hora 12:00 aparecerá (intermitente) y **PRESENT TIME (hora actual)** se visualice. Programe el control según las instrucciones a continuación.
Si aparecen unas líneas intermitentes $\overline{5R}---$, use el botón UP ▲ para ajustar el código del modelo correcto de la siguiente forma siguiente: **F30** para GXSF30H. Si se le pasa el código correcto, use el botón DOWN ▼. Luego, oprima el botón **MODE (modo)** para aceptar el modelo correcto.
- Un "bip" sonará mientras usted oprime los botones para la programación del control. Un bip significa un cambio en la pantalla de control. Sonidos repetidos significan que el control no acepta un cambio del botón que usted ha oprimido, y que usted debe oprimir otro botón.
- Para programar el control, usted usará los botones UP ▲, DOWN ▼ y **MODE (modo)**.
- Utilice el botón **MODE (modo)** para seleccionar la función de control deseada.

AJUSTE LA HORA DEL DÍA

1. Presione el botón **MODE (modo)** hasta que **PRESENT TIME (hora actual)** se visualice.
2. Oprima el botón UP ▲ o DOWN ▼ para ajustar. El botón UP se mueve hacia adelante; el botón DOWN se mueve hacia atrás.



Si la hora actual es entre el medio día y la media noche, cerciórese de que PM se visualice. Si la hora actual es entre la media noche y el medio día, cerciórese de que AM se visualice.

NOTA: Cada vez que usted oprime los botones UP ▲ o DOWN ▼, el tiempo cambiará en un minuto. Sostener uno de los botones oprimido hará que la hora cambie a un ritmo rápido.

3. Cuando se muestra la hora actual, oprima **MODE (modo)** para aceptar.

AJUSTE EL NIVEL DE DUREZA DEL AGUA

1. Oprima el botón **MODE (modo)** hasta que **HARDNESS (dureza)** se visualice.
2. Oprima los botones UP ▲ o DOWN ▼ para ajustar la dureza del agua en la pantalla. DOWN disminuye el nivel de dureza. UP aumenta el nivel de dureza.



NOTA: Cada vez que usted oprime un botón, la visualización cambia un número entre 1 y 25. Por encima de 25, la visualización cambia los números de 5 en 5 (25, 30, 35, etc.). Mantener un botón presionado hace que los números cambien a un ritmo más rápido.

Instrucciones de instalación

AJUSTE EL NIVEL DE DUREZA DEL AGUA (CONT.)

3. Cuando la pantalla muestre el nivel de dureza del agua deseado (en granos por galón), oprima **MODE (modo)** para aceptar.

NOTA: Si hay hierro de agua clara en su suministro de agua, deberá aumentar el nivel de dureza en 5 por cada 1 ppm de hierro de agua clara en su suministro de agua.

Usted puede obtener la dureza de granos por galón (gpg) de su suministro de agua a través de un laboratorio de análisis de agua. Si recibe el suministro municipal, llame a la compañía local de suministro de agua. O bien, llame al Legend Technical Services, un laboratorio independiente, para ordenar el kit de prueba de la dureza del agua al 1.800.949.8220, opción 4. Si su informe muestra dureza en partes por millón (ppm) o miligramos por litros (mg/l), simplemente divida por 17,1 para obtener el número equivalente de granos por galón.

AJUSTE LA HORA (DE INICIO) DE RECARGA

1. Presione el botón **MODE (modo)** hasta que **RECHARGE TIME (hora de recarga)** se visualice.



NOTA: La hora 2:00 AM intermitente (predeterminado en fábrica) debe aparecer en la pantalla. Esta es una buena hora para que la regeneración comience (toma alrededor de 2 horas) en la mayoría de las casas, porque el agua no está en uso. El AGUA DURA es circundada hacia los grifos durante la regeneración.

Si no es necesario ningún cambio, siga al paso 3. Para cambiar el tiempo de inicio de la recarga, siga el paso 2.

2. Oprima el botón **UP ▲** o **DOWN ▼** para fijar la hora de inicio deseada para la regeneración. Cerciórese de ajustar AM o PM al igual que lo hizo para ajustar la hora del día.

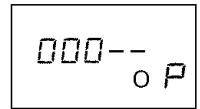
NOTA: Cada vez que usted oprima los botones la hora cambia por 1 hora. Mantener los botones oprimidos cambia la hora a un ritmo más rápido.

3. Oprima el botón **MODE (modo)** para aceptar.

AJUSTES OPCIONALES DE CONTROL

La pantalla del controlador ofrece varias opciones y características.

DIAGNÓSTICO ELECTRÓNICO/ DEL SISTEMA



Esta visualización contiene información sobre el diagnóstico del sistema para ayudar a la solución e identificación de problemas del descalcificador. Ver la página 46.

Para ingresar al sistema de diagnóstico, presione y sostenga presionado el botón **MODE** por 3 segundos.

Para regresar a la pantalla normal, presione el botón **MODE** dos veces.

EFICIENCIA DE LA SAL

Cuando la función de **SALT EFFICIENCY (eficiencia de la sal)** está encendida (ON), la unidad operará a una eficiencia de sal de por lo menos 4000 granos de dureza removidas por libra de sal. Este modo de operación es el nivel más eficaz para el uso de la sal, dado que el sistema tiende a regenerarse más a menudo, con menos uso de sal. Fijar la función en la posición de apagado (OFF) tiende a prolongar el tiempo entre los ciclos de recarga, lo que ofrece el uso más eficiente del agua, pero puede usar más sal. El grado de diferencia entre estos dos ciclos depende en gran medida del uso del agua y de la dureza en una instalación en particular.

NOTA: La regulación de California exige que esta función esté en la posición de encendido (ON) para instalaciones en California.

Para lograr acceso a la eficiencia de sal, presione y sostenga el botón **MODE** por tres segundos. La pantalla del sistema de diagnóstico aparecerá.



Presione el botón **MODE** otra vez y la pantalla de eficiencia de sal aparecerá.



Para cambiar este nivel, presione los botones **UP ▲** o **DOWN ▼** para fijar la función en encendido o apagado (ON o bien OFF). Presione el botón **MODE (modo)** para aceptar.

SEÑALES DE ERROR

Si se detecta un código de error, la pantalla muestra **Err** para señalar que el descalcificador necesita mantenimiento.



Consulte la página 45 para información sobre la solución de averías con los códigos de error. Una vez que corrija el problema, desconecte por un momento el transformador del tomacorriente y conéctelo nuevamente. Aparece la visualización normal. Es posible que el motor opere unos minutos, hasta que la unidad se vuelva a configurar. Si el problema no se corrige, el código de error vuelve a aparecer en 6 minutos.


Instrucciones de instalación

PROCEDIMIENTOS DE DESINFECCIÓN

Para completar la instalación, siga los procedimientos de desinfección siguientes.

En la fábrica se siguen los cuidados para mantener el descalcificador de agua limpio y desinfectado. Los materiales usados para construir el descalcificador no contaminarán ni infectarán su suministro de agua ni causarán que se forme o crezca bacteria. Sin embargo, durante el envío, el almacenamiento, la instalación y la operación, algún tipo de bacteria podría penetrar el descalcificador. Por esta razón, el siguiente proceso de desinfección se sugiere después de la instalación.

NOTA: La desinfección es recomendada por la Asociación de Calidad del Agua.

1. Cerciórese de completar todos los pasos de instalación, incluyendo la programación del control.
2. Vacíe aproximadamente 3/4 de onza de cloro casero 5,25% (Clorox, Linco, Bo Peep, White Sail, Eagle, etc.) en la **salmuera**. Consulte la ilustración en la página 33.
3. **IMPORTANTE:** Oprima y sostenga oprimido por 3 segundos el botón **RECHARGE (recarga)**  del plato para comenzar una recarga inmediata. El indicador de **RECHARGE (recarga)** aparece intermitente en la pantalla. El cloro es llevado a

través del descalcificador de agua. Este proceso dura aproximadamente 2 horas.

4. Si después de la desinfección, el agua de la llave de la casa tiene un sabor salado o tiene un color ligero, esto es un preservativo del tanque de resina. Abra los grifos de agua fría descalcificada por unos minutos hasta que el agua se aclare.

NOTA: Cuando la recarga de limpieza termine, todo el cloro restante es purgado de su acondicionador y el suministro de agua **FRÍA** de su casa está completamente descalcificada inmediatamente. Sin embargo, su calentador de agua está lleno de agua dura y a medida que el agua caliente se use, el calentador se llena con agua descalcificada. Cuando toda el agua dura se reemplace en el calentador de agua, el agua caliente y el agua mezclada caliente y fría, estarán completamente descalcificadas. Si desea agua descalcificada inmediatamente, después de la recarga anterior, drene agua del calentador hasta que el agua salga fría.

⚠ ADVERTENCIA: Si usted drene el calentador de agua, tenga cuidado extremo, ya que el agua caliente lo podría quemar. Apague el calentador de agua antes de proceder con el drenaje.

Especificaciones/Dimensiones

	GXS F30H
Capacidad calificada*	11800 granos con 2,3 lbs. de sal 25300 granos con 7,4 lbs. de sal 30200 granos con 12,5 lbs. de sal
Ritmo de eficiencia**	5120 granos/lb. @ 2,3 lbs. de sal
Cantidad de capacidad de resina alta (lbs/cu. pies)	40,6/0,78
Tamaño nominal del tanque de resina (pulg. diam. x altura)	8 x 40
Ritmo de flujo de servicio (gpm)	7,5
Dureza máxima del suministro de agua (gpg)	95
Hierro de agua clara máxima del suministro de agua (ppm)***	7
Límites de presión de agua (mín.-máx. psi)****	20-125
Caída de presión al ritmo de flujo de servicio (psig)	14
Límites de la temperatura del agua (mín.-máx. °F)	40-120
Ritmo de flujo máximo del suministro de agua (pgm)	2,0

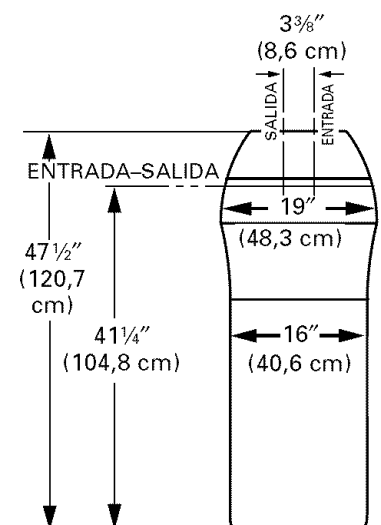
Este sistema se conforma a NSF/ANSI 44 para los reclamos de capacidad específica verificados y substanciados por datos de prueba.

* La prueba se llevó a cabo usando bolitas grado cloro de sodio como sal regeneradora.

** El ritmo de eficiencia es válido solamente ante la dosis de sal más baja. La eficiencia de este descalcificador fue evaluada de acuerdo con NSF/ANSI 44.

*** La cantidad de hierro removido puede variar según las condiciones. La capacidad para reducir el hierro de agua clara es sustentada por los datos de las pruebas WQA. El estado de Wisconsin requiere tratamiento adicional si el suministro de agua contiene más de 5 ppm de hierro de agua clara. Use Diamond Crystal® Red•Out® o Super Iron Out®, lo que mejora la eliminación del hierro. Consulte la sección **Limpieza del hierro del agua del sistema de descalcificación.**

**** Límites de presión de trabajo en Canadá: 1,4-7,0 kg/cm².



Servicio

Cuando el sistema descalcificador de agua está proporcionando agua descalcificada, a esto se le llama "Servicio". Durante el servicio, el agua dura fluye desde la tubería de agua principal de la casa hacia el sistema de descalcificación de agua. En el interior del tanque de resina del sistema de descalcificación de agua hay una película o capa compuesta de miles de resinas plásticas diminutas. Cuando el agua dura pasa a través de la capa, cada resina diminuta atrapa los minerales duros. A esto se le llama intercambio de iones. Es como un imán que atrae y atrapa metales. Luego, el agua sin minerales duros (agua descalcificada o agua blanda) fluye hacia la casa desde el sistema de descalcificación.

Después de un período de tiempo, la capa de resina se obstruye o se satura con los minerales duros y debe limpiarse. Esta limpieza se denomina recarga. La recarga comienza a las 2:00 AM (ajustado en fábrica) por el control del sistema de descalcificación de agua, y consiste en cinco etapas o ciclos. Éstas son **FILL (llenado)**, **BRINING (proceso de salado)**, **BRINE RINSE (enjuague salado)**, **BACKWASH (lavado regresivo)** y **FAST RINSE (lavado rápido)**.

Circunvalación automática del agua dura durante la recarga

En casos de emergencia, el agua dura está disponible hacia la casa durante los ciclos de recarga.

Sin embargo, usted debe evitar usar agua CALIENTE porque el calentador de agua se llenará con agua dura.

Llenado

La sal disuelta en agua es llamada salmuera. La salmuera es necesaria para limpiar los minerales duros de las diminutas partículas de resina. Para formar la salmuera, el agua fluye hacia el interior del tanque de sal durante el período de llenado.

Salado

Durante el proceso de salado, la salmuera se desplaza del área del tanque de almacenamiento de la sal hacia el tanque de la resina. La salmuera es el agente de limpieza necesario para remover los minerales duros de la capa de resina. Los minerales duros y la salmuera son descargados hacia el desagüe.

La boquilla y el Venturi crean una succión para mover la salmuera, manteniendo un ritmo muy bajo para obtener la resina de limpieza con la menor cantidad de sal.

Enjuague de Salmuera

Después de que se use una cantidad de salmuera medida con anterioridad, la válvula de salmuera se cierra. El agua continúa fluyendo en la misma trayectoria que durante el proceso de salado, excepto por el flujo de salmuera discontinuado. Los minerales duros y la salmuera fluyen del tanque de resina hacia el desagüe.

Lavado Regresivo

Durante el lavado regresivo, el agua viaja **hacia arriba** a través del tanque de resina a un flujo de ritmo rápido, purgando el hierro acumulado, la suciedad, y los sedimentos desde la capa de resina hacia el desagüe.

Enjuague Rápido

El lavado regresivo es seguido por un flujo de agua rápido **hacia abajo** a través del tanque de resina. El flujo rápido purga la salmuera del fondo del tanque, y rellena el tanque de resina.

A continuación del enjuague rápido, el sistema de descalcificación de agua regresa al servicio de agua descalcificada.

Sobre el sistema de descalcificación de agua.

Cómo romper un puente de sal

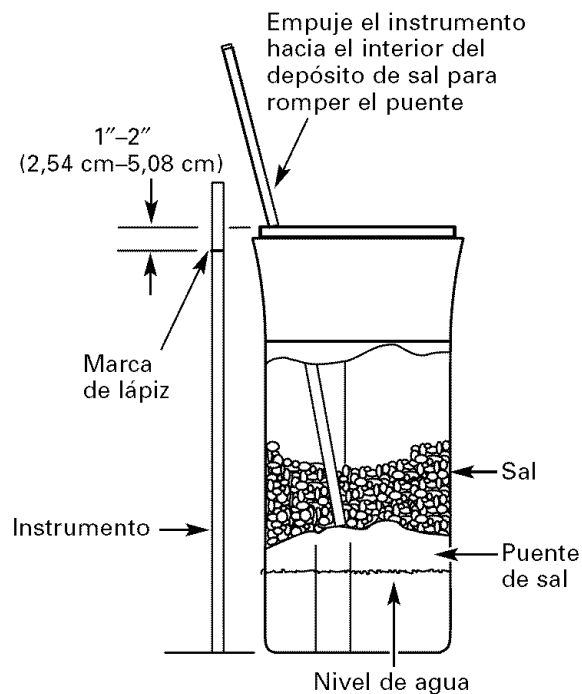
A veces, una capa dura de sal o puente de sal se forma en el área de almacenamiento de la sal. Esto generalmente se debe a la humedad alta o al uso de algún tipo de sal equivocada. Cuando la sal forma puente, un espacio vacío se forma entre el agua y la sal. Entonces la sal no se disuelve en el agua para hacer la salmuera.

Si el tanque de la sal está lleno de sal, es difícil saber si existe o no un puente de sal. La sal está floja en la parte superior, pero el puente está por debajo. A continuación, la forma más efectiva de inspeccionar si existe la formación de un puente de sal.

La sal debe estar floja desde arriba hasta el fondo del tanque. Tome un palo de escoba o algo parecido, y con cuidado, empujelo hacia el interior del depósito de sal, introduciéndolo y sacándolo. Si el instrumento golpea un objeto duro (cerciórese de que lo que golpea no es el fondo o las paredes laterales del tanque), es posible que exista un puente de sal. Con cuidado rompa el puente con el instrumento.

No golpee las paredes del tanque.

Si el tipo de sal equivocada es usado para hacer el puente, sáquela. Entonces llene el tanque con la sal apropiada. En áreas húmedas, es mejor llenar el depósito con menos sal, y hacerlo más a menudo.



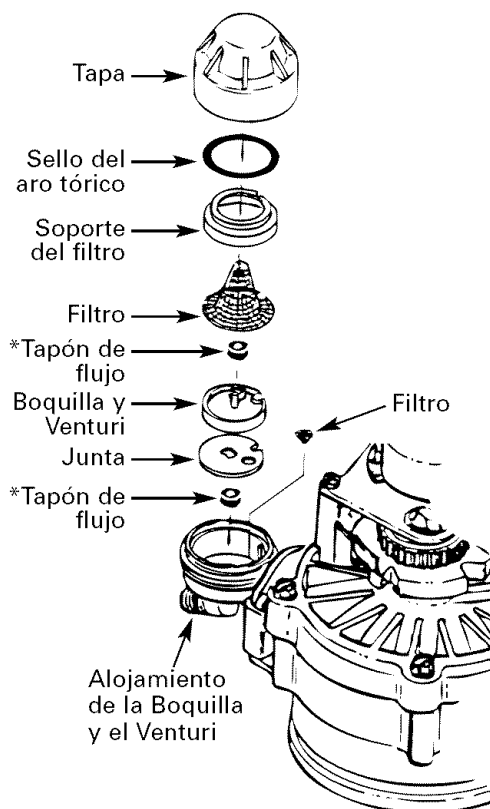
Cómo limpiar la ensambladura de la boquilla y el Venturi

Es necesario que la boquilla y el Venturi estén limpios para que el sistema de descalcificación de agua funcione apropiadamente. Esta pequeña unidad ejecuta la succión para mover la salmuera del área de almacenamiento de sal hacia el tanque de resina durante la recarga. Si está atascada con sal, sucia, etc., el sistema de descalcificación de agua no funcionará y usted solamente tendrá agua dura.

Para lograr acceso a la boquilla y al Venturi, retire la tapa superior del sistema de descalcificación de agua. Cerciñese de que el sistema de descalcificación de agua está en ciclo de servicio (que no haya presión de agua en la boquilla y el Venturi). Luego, mientras sostiene el alojamiento de la boquilla y el Venturi, remueva la tapa. Levante el soporte del filtro y el filtro, luego la boquilla y el Venturi. Lave y enjuague las partes en agua cálida hasta que estén limpias. Si es necesario, use un cepillo pequeño para remover el hierro o la suciedad. También inspeccione y limpie la junta.

NOTA: Algunos modelos tienen un pequeño tapón de flujo localizado en la boquilla y el Venturi, y/o un pequeño filtro en forma de cono en el alojamiento. Cerciñese de inspeccionar y limpiar estas partes, si su modelo está equipado con ellos.

Con cuidado reemplace todas las partes en el orden correcto. Lubrique ligeramente el sello del aro tórico con una grasa de silicona o con vaselina y coloque en su posición. **Instale y apriete la tapa con sus manos solamente. No apriete la tapa demasiado.**



IMPORTANTE: Cerciñese de que los agujeros pequeños en la junta estén centrados directamente sobre los pequeños agujeros en el alojamiento de la boquilla y el Venturi.

*Instale con el lado que contiene números hacia arriba y el lado cóncavo hacia abajo.

Sobre el sistema de descalcificación de agua.

Operación normal, Pantalla de control

Durante la operación normal, la hora actual del día y AM o PM se muestra en el área de la pantalla de control. Cuando la computadora de demanda determina que una recarga es necesaria, el mensaje **RECHARGE TONIGHT (recargue esta noche)** comienza a parpadear

en la pantalla con la hora actual. **RECHARGE TONIGHT (recargue esta noche)** parpadea hasta el momento de inicio de la próxima recarga, cuando cambiará a **RECHARGE (recarga)**, el cual parpadea hasta que la recarga concluya.

Función: Controles opcionales de recargado

A veces, es posible que usted desee o necesite una recarga iniciada manualmente.


Dos ejemplos:

■ Usted ha usado más agua que de costumbre (huéspedes en la casa, lavado adicional, etc.) y quizás se quede sin agua descalcificada antes de la próxima recarga.


■ Se le acabó la sal al sistema.

Use una de las funciones siguientes para comenzar una recarga inmediatamente, o en el próximo inicio de recarga preprogramada.

RECARGUE ESTA NOCHE

Oprima (no sostenga oprimido) el botón de **RECHARGE (recarga)** . **RECHARGE TONIGHT (recargue esta noche)** comienza a parpadear en el área de la pantalla de control. Una recarga ocurrirá en el próximo inicio de recarga preprogramada. Si decide cancelar esta regeneración, toque el mismo botón una vez más.

RECARGUE AHORA

Oprima y sostenga oprimido el botón de **RECHARGE (recarga)**  hasta que **RECHARGE NOW (recargue ahora)** comience a parpadear en la pantalla de control. El sistema de descalcificación de agua comienza una recarga inmediata y, cuando termine en unas dos horas, usted tendrá un nuevo suministro de agua descalcificada. Una vez haya iniciado, usted no puede cancelar la recarga.

Función: Memoria

Si el suministro eléctrico del sistema de descalcificación de agua es interrumpido, la pantalla de control estará en blanco, y la luz indicadora azul se apaga, pero el control mantiene la hora correcta por seis horas aproximadamente. Cuando el suministro es restaurado, usted tendrá que reajustar la hora actual solamente si la visualización y la luz indicadora azul están intermitentes. Todos los otros ajustes se mantienen y nunca requieren ser ajustados a no ser que usted desee hacer algún cambio.

Si la hora está intermitente después de una interrupción prolongada en el suministro eléctrico, el sistema de descalcificación de agua continúa operando como debería para proporcionarle agua descalcificada. Sin embargo, la recarga podrían ocurrir a la hora equivocada del día hasta que usted reajuste el control a la hora correcta del día.

Característica/Servicio: Diagnóstico electrónico automático

La computadora de control tiene una función de diagnóstico automático para el sistema eléctrico (excepto para la energía de entrada y la medición del agua). La computadora monitorea los componentes electrónicos y los circuitos para una operación correcta. Si ocurre un error, un código de error aparece en la pantalla de control.

La tabla de *Códigos de Errores (Error Codes)* muestra los códigos de errores que podrían aparecer y las razones posibles para cada código. Ver *Diagnóstico electrónico iniciado manualmente* para aislar el defecto aún más.

Servicio: Funciones y servicio del tiempo de demanda electrónico

CÓDIGO DE ERROR VISUALIZADO	ERR 01	ERR 02	ERR 03	ERR 04	ERR 05
POSIBLE DEFECTO	<ul style="list-style-type: none"> • El motor no funciona • Problemas en el cableado o en la conexión hacia el interruptor • Interruptor de posición • Control 	<ul style="list-style-type: none"> • Interruptor de posición • Control 	<ul style="list-style-type: none"> • Motor no funciona o problemas en el cableado • Control 	<ul style="list-style-type: none"> • Interruptor de posición o problemas en el cableado • Control 	<ul style="list-style-type: none"> • Control

Para eliminar un código de error:

1. Desconecte el transformador.
2. Corrija el problema.
3. Conecte otra vez el transformador.
4. Espere por lo menos 6 minutos. El código de error regresará si la razón del código de error no ha sido corregida.

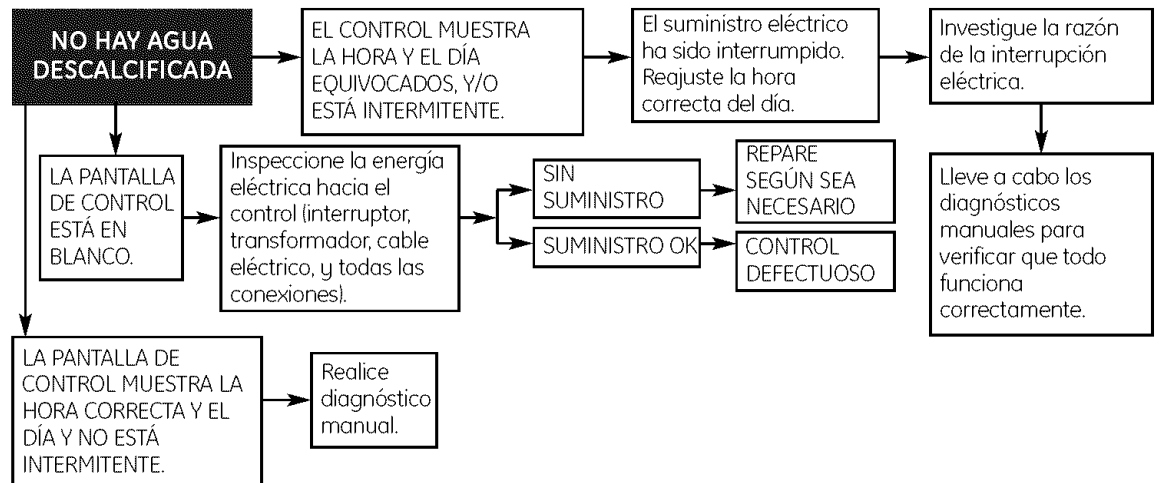
Servicio: Sincronizador/Descalcificador, procedimiento de inspección del servicio

Si usted no está recibiendo agua descalcificada, y no aparece un código de error, use el siguiente procedimiento para encontrar la fuente del problema. Primero realice las siguientes inspecciones visuales.

INSPECCIONES VISUALES:

1. ¿Hay energía eléctrica entrando hacia el tomacorriente en el cual el transformador del sistema de descalcificación de agua está conectado?
2. ¿Hay suficiente sal en el tanque de almacenamiento?
3. ¿Está la válvula de bypass de descalcificación dirigiendo el agua para el servicio de descalcificación?
4. ¿Está la manguera de drenaje de la válvula abierta hacia el drenaje, a no más de 8 pies (2,67 m) por arriba del descalcificador, y no tiene ninguna obstrucción? Si la manguera está más de 8 pies (2,67 m) por arriba del descalcificador, ver la página 36, paso 4.

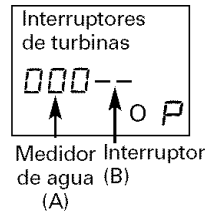
Si usted no encuentra el problema con la inspección visual, continúe más adelante.



Sobre el sistema de descalcificación de agua.

Servicio: Diagnóstico electrónico iniciado manualmente

1. Para entrar diagnósticos, oprima y sostenga oprimido el botón **MODE (modo)** hasta que se muestre (000-- --) en la pantalla.

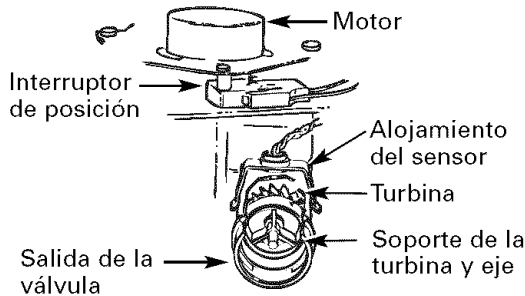


A Los primeros tres dígitos indican la operación del medidor de agua de la forma siguiente:

■ 000 (no intermitente) = agua descalcificada no en uso...no hay flujo a través del medidor.

— **ABRA UN GRIFO DE AGUA DESCALCIFICADA QUE ESTÉ CERCA —**

■ 000 hasta 199 (continuo) = repite la visualización para cada galón de agua que pase a través del medidor.



Si usted no recibe una indicación en la pantalla, con el grifo abierto, tire el sensor desde el puerto de salida de la válvula. Pase un pequeño imán hacia atrás y hacia adelante enfrente del sensor. Usted debe recibir una indicación en la pantalla. Si recibe una indicación, desconecte el suministro de agua, desconecte la tubería de entrada y salida e inspeccione la turbina en búsqueda de agarrotamiento.

B La letra P y los guiones indican la **POSICIÓN** del interruptor de operación. Si la letra aparece significa que el interruptor está cerrado; si los guiones aparecen, significa que el interruptor está abierto. Use el botón de **RECHARGE (recarga)** (RECHARGE TONIGHT – RECHARGE NOW) (Recargue esta noche – Recargue ahora) para avanzar manualmente la válvula hacia cada ciclo e inspeccione la correcta operación de cada interruptor.

EL INTERRUPTOR CORRECTO MUESTRA	ESTADO DEL CICLO DE LA VÁLVULA
--	Posición de válvula en servicio, llenado, proceso de salado, lavado regresivo o enjuague rápido.
-- P	La válvula está rotando de una posición a la otra.

C Mientras esté en la pantalla de diagnóstico, la siguiente información está disponible y podría ser beneficiosa por varias razones. Esta información es retenida por la computadora la primera vez que la energía eléctrica es proporcionada al control.

■ Oprima y sostenga oprimido el botón **UP (hacia arriba)** para visualizar el número de días que el control ha tenido la energía eléctrica aplicada.

■ Oprima y sostenga oprimido el botón **DOWN (hacia abajo)** para visualizar el número de regeneraciones iniciadas por este control desde que el número de código SR fue entrado.

2. Oprima el botón **MODE (modo)** y sosténgalo oprimido por tres segundos hasta que el código de ritmo de Servicio aparezca en la pantalla.



Para que el sistema de descalcificación de agua opere correctamente, el código del modelo debe ser F30 por modelo GXSF30H.


Para reajustar el código, presione el botón de **UP (hacia arriba)** o **DOWN (hacia abajo)** hasta que los números correctos sean mostrados.


3. Presione **MODE (modo)** para regresar a la pantalla de tiempo presente. **Si el código fue cambiado, haga TODOS los ajustes del sincronizador.**

NOTA: Si el control es dejado en una visualización de diagnóstico o en una pantalla intermitente cuando los ajustes de tiempo o la dureza, el tiempo presente regresa automáticamente si un botón no es oprimido dentro de cuatro minutos.

Servicio: Inspección manual del avance de la recarga

NOTA: La pantalla de control debe mostrar la hora de manera estable (no intermitente).

1. Presione el botón **RECHARGE (recarga)**  y sosténgalo presionado por tres segundos. La palabra **RECHARGE NOW (recargue ahora)** comienza a parpadear a medida que el sistema de descalcificación de agua inicia el ciclo de recarga. Retire la cubierta del depósito de la salmuera y, con una linterna, observe el agua de llenado entrando hacia el tanque de salmuera. Si no hay agua entrando al tanque, busque cualquier obstrucción en una boquilla, el Venturi, el tapón de flujo de llenado o la tubería de la salmuera. Consulte la sección *Cuidado y limpieza del sistema de descalcificación de agua*.

2. Después de observar el llenado, presione el botón **RECHARGE (recarga)**  para llevar al sistema de descalcificación de agua al proceso de salado. Un flujo lento de agua hacia el drenaje debe comenzar. Verifique la extracción de la salmuera del tanque alumbrando con una linterna hacia el depósito de la salmuera y observando un goteo evidente en el nivel de líquido durante un período de tiempo extenso.

NOTA: Cerciórese de que no es un puente de sal el que está evitando el contacto con la sal. Consulte la sección *Cuidado y limpieza del sistema de descalcificación de agua*.

Si el sistema de descalcificación de agua no extrae salmuera, inspeccione:

- Que la boquilla y/o el Venturi no estén sucios o defectuosos.


- Que el empaque de la boquilla o el Venturi no estén defectuosos.


- Que la boquilla y/o el Venturi no estén bien asentados en la junta.


- Otro defecto de la válvula interna (empaque del rotor, rotor y disco, arandela de onda, etc.).

- Que no exista un drenaje restringido (inspeccione los accesorios del drenaje y la manguera).

NOTA: Si la presión del sistema de agua es baja, una manguera elevada podría causar presión regresiva, evitando la extracción de la salmuera.

3. De nuevo, presione el botón **RECHARGE (recarga)**  para llevar el sistema de descalcificación de agua al lavado regresivo. Busque un flujo rápido de agua de la manguera de drenaje. Un flujo lento indica que se ha obstruido un distribuidor superior, un tapón de flujo de lavado regresivo o la manguera de drenaje.

4. Presione el botón **RECHARGE (recarga)**  para llevar el sistema de descalcificación de agua al enjuague rápido. De nuevo, busque un flujo rápido. Permita que el sistema de descalcificación de agua enjuague por unos minutos para purgar cualquier salmuera que haya quedado en el tanque de resina durante la prueba del ciclo del proceso de salado.

5. Para regresar el sistema de descalcificación de agua a servicio, presione el botón **RECHARGE (recarga)** .

Cuidado y limpieza del sistema de descalcificación de agua.

Inspeccione el nivel de almacenamiento de la sal y el relleno

Se necesita salmuera (sal disuelta en agua) para cada recarga. El agua para hacer la salmuera es medida cuando entra al área de almacenamiento de la sal a través de la válvula del sistema de descalcificación de agua y el control. **Sin embargo, usted debe mantener el tanque con sal.**

Cuándo rellenar con sal: Inspeccione el nivel de la sal dos o tres semanas después de la instalación de su sistema de descalcificación de agua y periódicamente de ahí en adelante. Rellene cuando el tanque esté por debajo de 1/3 de su capacidad. En áreas húmedas es mejor llenar con menos sal y hacerlo más frecuentemente, para evitar la formación de puentes de sal; consulte la página 42. Nunca permita que el sistema de descalcificación use toda la sal antes de rellenar el tanque. Sin sal, pronto dejará de tener agua descalcificada.

Utilice sales de sistemas de descalcificación de agua solamente, por lo menos 99,5% puras. Recomendamos PEPITAS, BOLITAS o SAL GRUESA SOLAR. **No use sal en roca, en bloques, granulada, ni de helado (para descongelar hielo).** Éstas contienen suciedad y sedimentos, o pasta y masa, y crearán problemas de mantenimiento.

⚠ PRECAUCIÓN:

Sal descalcificadora de agua con aditivos que remueven el hierro: Algunas sales podrían tener aditivos para ayudar al sistema de descalcificación de agua con el hierro en el suministro de agua. Aunque este aditivo puede ayudar a mantener limpio el sistema de descalcificación de agua, el mismo también puede crear gases corrosivos que debilitan y acortan la vida de las partes del sistema de descalcificación de agua. GE solamente recomienda el uso de la marca de sal Diamond Crystal® Red•Out®.

Cómo limpiar el hierro de su sistema de descalcificación de agua

Su sistema de descalcificación de agua toma la dureza de los materiales (calcio y magnesio) y la extrae del agua. También, puede controlar una cantidad considerable del hierro del "agua clara" (Consulte la sección *Directrices de especificaciones*). Con hierro de agua clara, el agua de un grifo es clara cuando se coloca en un vaso al principio. De 15 a 30 minutos más tarde, el agua comienza a ponerse turbia o a cambiar a un color rojo ladrillo. Un sistema de descalcificación de agua **no remueve** el hierro que causa que el agua se torne turbia o que adquiera el color rojo ladrillo cuando sale del grifo (llamada agua rojo ladrillo). Para extraer el hierro de esta agua se requiere un filtro u otro equipo.

GE recomienda que se usen las marcas de sal Diamond Crystal® Red•Out® con aditivo Iron Fighter® para ayudar a mantener la capa de resina limpia del hierro. Si su suministro de agua tiene hierro de agua clara, es necesario que usted limpie periódicamente la capa de resina. GE recomienda usar un limpiador de capas de resina Super Iron Out®, para limpiar así eficientemente dicha capa, especialmente cuando el contenido de hierro es alto. Limpie la capa por lo menos cada seis meses, o más a menudo si comienza a aparecer hierro en su agua descalcificada entre limpieza y limpieza.

IMPORTANTE: Es importante mezclar el limpiador de la capa de resina con agua (siga las instrucciones del fabricante) y vaciarlo en el **depósito de la salmuera** (ver página 33) y proceda a regenerar el descalcificador inmediatamente. No vierta el limpiador de la capa de resina con la sal, ya que no será tan eficiente en su función de limpieza de la resina, y puede causar daños al descalcificador si se deja en el tanque de la sal por un período de tiempo prolongado debido a que gases corrosivos se formarían.




Consejos para la identificación y solución de averías
¡Ahorre tiempo y dinero! Revise la tabla en esta página primero y quizás no tenga que llamar para solicitar servicio.

NO HAY AGUA DESCALCIFICADA – Problemas más comunes:

Inspeccione lo siguiente antes de llamar para solicitar servicio:

- No hay suficiente sal—debe estar por lo menos lleno hasta 1/3.
- La válvula de bypass está en la posición de “Bypass”—el indicador debe estar en la posición “OUT” (servicio).
- El ajuste de dureza es demasiado bajo. Inspeccione el ajuste de la dureza y ajústelo. Verifique la dureza del suministro de agua—llamando a su compañía de agua local, haciendo pruebas al agua o llamando al Centro de Respuestas de GE.
- Puente de sal—la sal se solidifica por encima del nivel del agua de forma tal que la salmuera no está en contacto con la sal. Ver la sección *Cómo romper un puente de sal*.

Problema	Posible causa	Qué hacer
No hay agua descalcificada	El grifo o el accesorio donde la muestra fue tomada no está conectado al sistema de agua descalcificada. NOTA: Cerciórese de que la muestra no es tomada de un grifo que mezcla agua descalcificada con agua dura. Por ejemplo, un grifo de una sola palanca de la cocina, si la tubería del agua fría de ese grifo está conectada al agua dura.	<ul style="list-style-type: none"> • Para conservar sal, el instalador puede que haya aislado algunos grifos (grifos fuera de la casa, inodoros, etc.) del sistema de descalcificación. A partir de la salida del sistema de descalcificación de agua, rastree la trayectoria de la tubería de la casa. Si el agua descalcificada no está conectada directamente a un grifo o accesorio donde a usted le gustaría que estuviera conectado, póngase en contacto con un plomero.
	No hay sal en el tanque de la salmuera o hay un puente de sal	<ul style="list-style-type: none"> • Revise si hay un puente de sal, o si el tanque está vacío, llene otra vez con la sal recomendada. Presione (por tres segundos) el botón RECHARGE (recarga)  para dar inicio a la recarga y restaurar el suministro de agua descalcificada.
	El transformador está desconectado en el tomacorriente de la pared, o el cable del descalcificador no está conectado. Un fusible está fundido o se desconectó en el circuito eléctrico hacia el tomacorriente. El tomacorriente está en un circuito que no puede ser desconectado.	<ul style="list-style-type: none"> • Inspeccione para cerciórese de que no ha habido una interrupción energética hacia el descalcificador de agua debido a algunas de estas condiciones y corrija según sea necesario. Una vez restaurada la energía, observe la visualización en el plato y lea la sección <i>Programación del control</i>. NOTA: El tomacorriente para el interruptor del descalcificador debe estar permanentemente conectado para que no pueda ser desconectado accidentalmente.
	La válvula de bypass manual está en la posición de bypass	<ul style="list-style-type: none"> • Cerciórese de que la palanca de la válvula de bypass se encuentre en la posición correcta, con el botón en la posición OUT (afuera). Observe las instrucciones en la etiqueta en el extremo de la palanca.
	La válvula de la manguera de drenaje está atascada, obstruida, elevada a una posición demasiado alta u obstruida de alguna forma	<ul style="list-style-type: none"> • Cualquier restricción en esta manguera de drenaje puede prevenir la operación apropiada de la boquilla y el Venturi y reducir o evitar la toma de la salmuera durante la recarga.
	La boquilla y el Venturi están sucios, ensamblados incorrectamente o dañados	<ul style="list-style-type: none"> • Consulte las instrucciones para <i>Limpiar la boquilla y el Venturi</i>. Con la presión del agua desconectada del sistema de descalcificación de agua, desarme la ensambladura de la boquilla. Inspecciónela, límpiela y reemplace cualquier parte según sea necesario. Cualquier partícula extraña, ralladura, muesca, etc., en los pasajes puede impedir la operación. Cerciórese de que los agujeros pequeños en la junta estén centrados directamente sobre los pequeños agujeros en el alojamiento.

Antes de llamar para solicitar servicio...



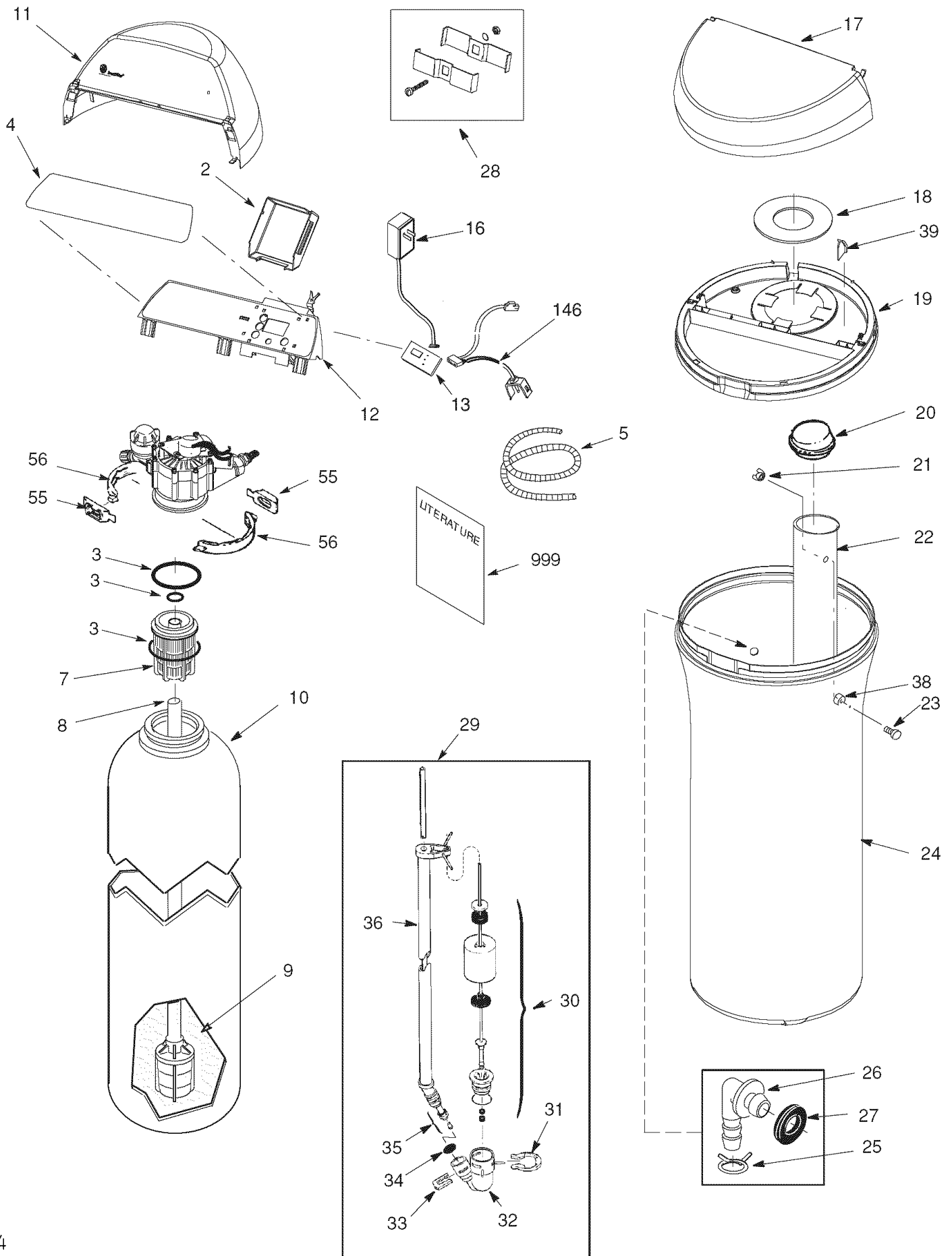
Consejos para la identificación y solución de averías

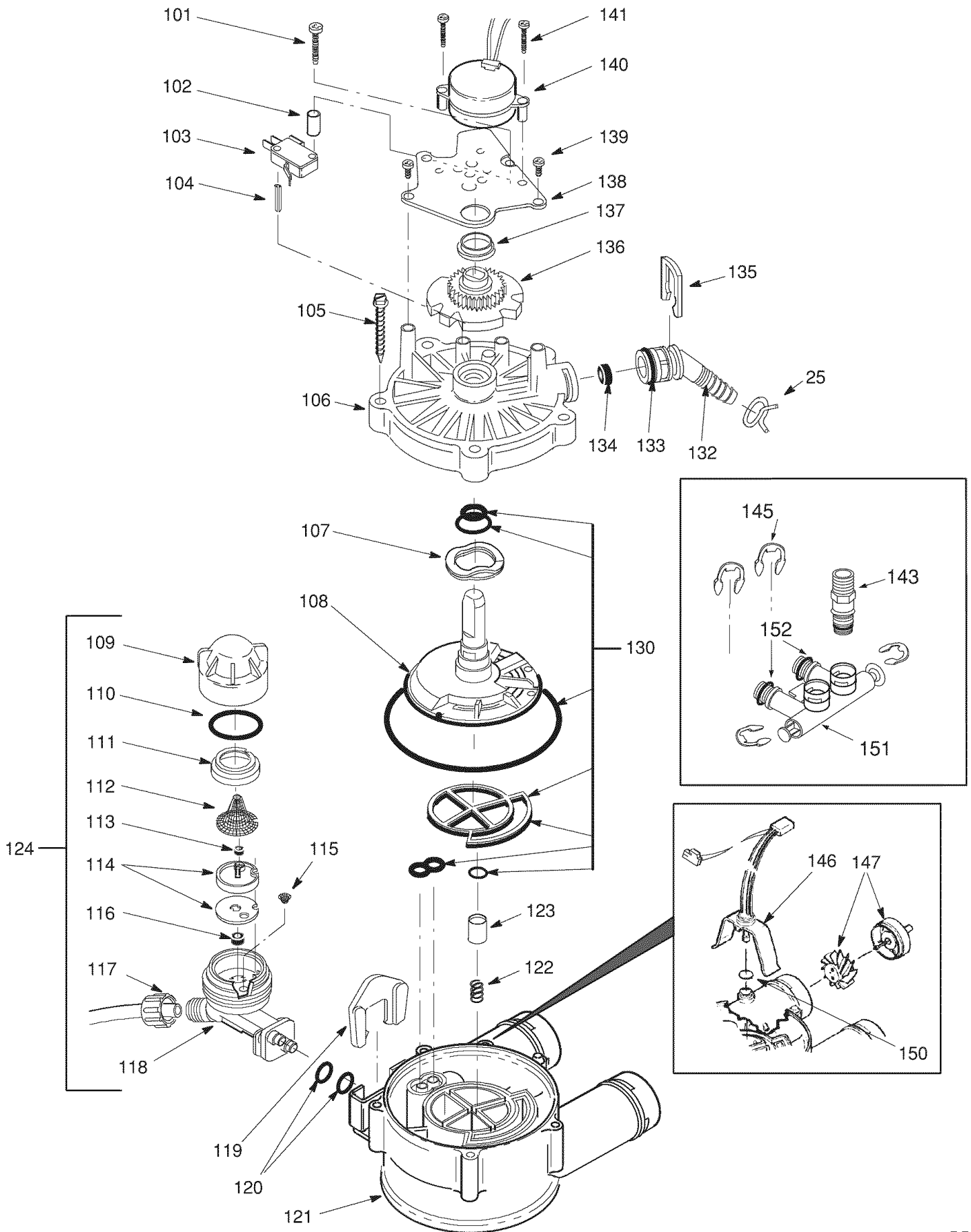
Problema	Posible causa	Qué hacer
A veces el agua está dura	Usar agua caliente mientras el descalcificador de agua está en el proceso de regeneración	<ul style="list-style-type: none"> Evite usar agua caliente mientras el descalcificador de agua está en el proceso de recarga porque el calentador de agua se rellenará con agua dura. Consulte la sección <i>Circunvalación del agua dura automática durante la recarga</i>, página 41.
	El nivel de HARDNESS (dureza) del control es muy bajo	<ul style="list-style-type: none"> Presione el MODE (modo) hasta que la flecha señale HARDNESS (dureza). Cerciérese de que el número que aparece es igual que el número real de granos por galón, la dureza de su suministro de agua. Consulte la sección <i>Programación del control</i> si se necesita un cambio en los niveles.
	Los granos de dureza en su suministro de agua han aumentado	<ul style="list-style-type: none"> La dureza del agua puede cambiar con el paso del tiempo, especialmente cuando se trata de agua de pozo. Para inspeccionar, hágale una prueba al agua en un laboratorio de análisis o llame a su compañía local de suministro de agua. Ajuste el valor de la HARDNESS (dureza) según sea necesario.
El agua se siente resbalosa después de la instalación del sistema de descalcificación de agua	Ausencia de minerales de dureza	<ul style="list-style-type: none"> Esto es normal. La dureza le da la sensación abrasiva al agua a la que usted está acostumbrado. Esta sensación de que el agua resbalosa es porque ahora ha sido descalcificada.
El sistema de descalcificación de agua no está usando ninguna sal	El sistema de descalcificación de agua es una unidad de "demanda"	<ul style="list-style-type: none"> No usa tanta sal para regenerarse, es muy eficiente.
	Posible puente de sal	<ul style="list-style-type: none"> Consulte la sección <i>Sobre el sistema de descalcificación de agua</i>, en la página 42.
	La boquilla o el Venturi posiblemente obstruidos	<ul style="list-style-type: none"> Consulte la sección <i>Sobre el sistema de descalcificación de agua</i>, en la página 43.
El agua tiene un color azul después de que el sistema de descalcificación de agua fue instalado	Agua ácida en tuberías de cobre	<ul style="list-style-type: none"> Inmediatamente solicite que se le haga una prueba al agua.
El sistema de descalcificación no está regenerando	La turbina del medidor está atascada	<ul style="list-style-type: none"> Consulte la sección <i>Servicio: Diagnóstico electrónico iniciado manualmente</i>, para procedimientos de solución de averías, en la página 46. Llame y solicite servicio.
	Alambre del sensor no conectado en el control	<ul style="list-style-type: none"> Consulte la sección <i>Servicio: Diagnóstico electrónico iniciado manualmente</i>, para procedimientos de solución de averías, en la página 46. Llame y solicite servicio.
	No hay energía eléctrica en la unidad	<ul style="list-style-type: none"> Inspeccione el interruptor de circuito o los fusibles.
	Defecto mecánico	<ul style="list-style-type: none"> Llame y solicite servicio.
Agua turbia en la cristalería (en los lavaplatos automáticos)	Combinación de agua descalcificada y demasiado detergente	<ul style="list-style-type: none"> A esto se le llama <i>grabado</i> de aguafuerte y es permanente. Para evitar que esto suceda, use menos detergente si usted tiene agua descalcificada. Lave la cristalería en el ciclo más corto que los pueda limpiar.

Problema	Posible causa	Qué hacer
Nivel alto/excesivo de agua en el tanque de la salmuera	La válvula de drenaje de la manguera está doblada y eso la está obstruyendo, o está demasiado elevada, o su flujo está obstruido de alguna otra forma	<ul style="list-style-type: none"> • Cualquier restricción en la manguera de drenaje podría evitar la operación apropiada de la boquilla y el Venturi y reduce o evita que se descargue la salmuera durante la recarga.
	La boquilla o el Venturi están sucios, ensamblados incorrectamente o dañados	<ul style="list-style-type: none"> • Ver la sección de <i>Cómo limpiar la ensambladura de la boquilla y el Venturi</i> en la página 43. Con la presión de agua suspendida hacia el sistema de descalcificación, desarme la ensambladura. Inspecciónela, límpiela y reemplace las partes que puedan estar dañadas. Cualquier partícula extraña, rasgaduras, picaduras, etc. en la vía podría evitar la operación correcta. Cerciórese de que los agujeros en la junta están centrados sobre los agujeros en el alojamiento.
El agua sabe a sal o tiene aspecto café o amarillo después de la instalación	La unidad no está limpia	<ul style="list-style-type: none"> • Complete los <i>Procedimientos de desinfección</i>, de la página 40. • Después de que el ciclo de regeneración haya sido completado (aproximadamente 2 horas), haga circular agua a través de los grifos para purgar el agua salada.
	Baja presión del agua	<p>Inspeccione la presión.</p> <ul style="list-style-type: none"> • Para altura del drenaje de 8' o menor, la presión debería ser de un mínimo de 20 psi. • Para altura de drenaje superior de 8', la presión debería ser de un mínimo de 50 psi.
	Manguera de drenaje restringida	<ul style="list-style-type: none"> • Limpie y reconecte la manguera. • Revise en busca de giros en la línea de drenaje.
Agua de color café/amarillo	La unidad estuvo inoperante por un periodo de tiempo	<ul style="list-style-type: none"> • Complete los <i>Procedimientos de desinfección</i>, de la página 40.
Las partículas de resina aparecen en el agua potable y en los lavamanos	Distribuidor agrietado	<ul style="list-style-type: none"> • Llame para solicitar servicio.
Un sonido que usted puede escuchar	Agua circulando desde la unidad hacia el drenaje durante la recarga	<ul style="list-style-type: none"> • Esto es normal.
El agua tiene burbujas de agua y está turbia	Se introdujo aire en el sistema después de la instalación	<ul style="list-style-type: none"> • Esto desaparecerá después de haber funcionado un tiempo.
Un código de error en el control	El cableado podría haberse aflojado en el control	<ul style="list-style-type: none"> • Consulte la página 45 para detalles. • Desconecte el transformador. • Remueva la tapa del control, libere los clips en los costados. • Inspeccione en búsqueda de conexiones sueltas/incorrectas de cables hacia los tableros electrónicos o interruptores. Vuelva a conectar según sea necesario. • Reensamble la tapa del control. • Conecte el transformador. • Espere seis minutos para que el error de código desaparezca. • Si el error de código no desaparece, llame para solicitar servicio.

Notas.

Lista de partes.





Catálogo de partes.

CATÁLOGO DE PARTES DE GENERAL ELECTRIC

NO. REFER.	NO. DE PARTE	DESCRIPCIÓN DE LA PARTE	G X S F 3 0 H (02)
0003	WS35X10001	KIT DEL SELLO DEL ARO TÓRICO	1
0004	WS34X10015	ETIQUETA, PLACA FRONTAL	1
0005	WS07X10004	MANGUERA DE DRENAJE, 20 PIES	1
0007	WS14X10002	DISTRIBUIDOR, SUPERIOR	1
0008	WS14X10001	DISTRIBUIDOR, DE BAJO	1
0009	WS01X10002	RESINA, 1 PIE CÚBICO	1
0010	WS32X10011	TANQUE DE RESINA, 9 X 40	1
0011	WS31X10022	CUBIERTA, SUPERIOR CON LENTES	1
0012	WS31X10023	PLATO FRONTAL	1
0013	WS21X10017	CONTROL	1
0016	WS26X10013	TRANSFORMADOR CON CABLE ELÉCTRICO	1
0017	WS31X10021	CUBIERTA, AGUJERO DE LA SAL, CON ETIQUETAS	1
0018	WS33X10001	BARRERA DE VAPOR	1
0019	WS33X10007	BORDE	1
0020	WS31X10024	CUBIERTA, DEPÓSITO DE LA SALMUERA CON ETIQUETA	1
0021	WS02X10009	TUERCA	1
0022	WS32X10017	DEPÓSITO DE LA SALMUERA CON ETIQUETA	1
0023	WS02X10027	TORNILLO	1
0024	WS32X10016	TANQUE DE SALMUERA, REDONDO	1
0025	WS18X10003	ABRAZADERA DE LA MANGUERA	2
0026	WS22X10016	ADAPTADOR DE LA MANGUERA	1
0027	WS22X10017	ARANDELA DE GOMA	1
0028	WS35X10035	KIT DE ABRAZADERAS PARA CONEXIÓN A TIERRA	1
0029	WS15X10035	ENSAMBLADURA DE LA VÁLVULA DE LA SALMUERA	1
0030	WS35X10036	ENSAMBLADURA DE FLOTE, PALANCA Y GUÍA	1
0031	WS03X10006	CLIP	1
0032	WS15X10006	CUERPO DE LA VÁLVULA, SALMUERA	1
0033	WS03X10007	CLIP	1
0034	WS03X10008	FILTRO	1
0035	WS07X10002	ENSAMBLADURA DE LA TUBERÍA DE LA SALMUERA	1
0036	WS07X10015	ENSAMBLADURA DE LA TUBERÍA DE LA SALMUERA	1
0037	WS31X10018	CUBIERTA POSTERIOR, SIST. ELECTRÓNICOS	1
0038	WS02X10029	ESPACIADOR	1
0039	WS02X10030	SOPORTE, PLACA FRONTAL	1
0055	WS28X10003	ABRAZADERA RETENEDORA	2
0056	WS28X10004	ABRAZADERA	2
0101	WS02X10012	TORNILLO	1
0102	WS02X10013	ESPACIADOR	1

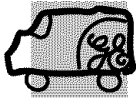
NOTA: los códigos del Estado de Massachusetts requieren que un fontanero con licencia realice la instalación y no permiten el uso de una válvula de asiento. Para la instalación, utilice el código de fontanería 248-CMR del Commonwealth de Massachusetts.

CATÁLOGO DE PARTES DE GENERAL ELECTRIC

NO. REFER.	NO. DE PARTE	DESCRIPCIÓN DE LA PARTE	G
			X S F 3 0 H
			(02)
0103	WS21X10003	INTERRUPTOR	1
0104	WS03X10009	PASADOR, EXPANSIÓN	1
0105	WS02X10014	TORNILLO	5
0106	WS31X10006	CUBIERTA DE LA VÁLVULA	1
0107	WS03X10010	RESORTE DE ONDA	1
0108	WS26X10002	ROTOR Y DISCO	1
0109	WS19X10004	TAPA, VENTURI	1
0110	WS03X10011	SELLO DE ARO TÓRICO	1
0111	WS19X10005	APOYO DE FILTRO	1
0112	WS03X10013	FILTRO	1
0113	WS22X10020	TAPÓN DE FLUJO, 0,10 GPM	1
0114	WS08X10005	JUNTA Y ASPIRADOR	1
0115	WS03X10015	FILTRO CÓNICO	1
0116	WS22X10021	TAPÓN, FLUJO DE LLANADO, 0,30 GPM	1
0117	WS03X10017	TUERCA DE LA FÉRULA	1
0118	WS15X10034	CUERPO DE LA BOQUILLA/VENTURI	1
0119	WS03X10018	RETENEDOR	1
0120	WS03X10019	SELLO DE ARO TÓRICO, 1/4" X 3/8"	2
0121	WS15X10010	CUERPO DE LA VÁLVULA	1
0122	WS03X10020	RESORTE	1
0123	WS22X10022	TAPÓN, SELLO DEL DRENAJE	1
0124	WS15X10009	ENSAMBLADURA DE LA BOQUILLA/VENTURI	1
0130	WS35X10005	KIT DEL SELLO, 3/4"	1
0132	WS22X10023	ADAPTADOR, MANGUERA DE DRENAJE PARA DRENAJE	1
0133	WS03X10021	ARO TÓRICO, 5/8" X 13/16"	1
0134	WS03X10022	TAPÓN DE FLUJO, CONTROL DE ENJUAGUE	1
0135	WS03X10023	CLIP	1
0136	WS26X10003	LEVA Y ENGRANAJE	1
0137	WS26X10004	RODAMIENTO	1
0138	WS26X10005	PLATO DEL MOTOR, 3/4"	1
0139	WS02X10015	TORNILLO, #6-20 X 3/8"	2
0140	WS26X10011	ENSAMBLADURA DEL MOTOR	1
0141	WS02X10016	TORNILLO, #6-20 X 7/8"	2
0143	WS60X10013	ADAPTADOR—ENROSCADO DE NPT—VÁLVULA NORMAL	2
0145	WS60X10004	CLIP	4
0146	WS28X10017	CABLEADO, ENSAMBLADURA DEL SENSOR, 3/4"	1
0147	WS19X10006	ENSAMBLADURA DE LA TURBINA Y SOPORTE	1
0150	WS03X10024	SELLO DE ARO TÓRICO	4
0151	WS15X10053	ENSAMBLADURA DE LA VÁLVULA DE BYPASS	1
0152	WS03X10025	SELLO DE ARO TÓRICO	4
0999	49-50177	MANUAL DEL PROPIETARIO	1
	WS60X10014	KIT DE INSTALACIÓN	1

NOTA: los códigos del Estado de Massachusetts requieren que un fontanero con licencia realice la instalación y no permiten el uso de una válvula de asiento. Para la instalación, utilice el código de fontanería 248-CMR del Commonwealth de Massachusetts.

Garantía GE para el Sistema de Descalcificación de Agua.



Todos los servicios de garantía son proporcionados por nuestra red de proveedores de servicios autorizados SmartWater.™ Para programar un servicio, llame al 800.GE.CARES (800.952.5039). Cuando llame para solicitar servicio, por favor tenga a mano el número de serie y el número de modelo.

Pegue su recibo aquí. La prueba de la fecha de la compra original es necesaria para recibir el servicio bajo la garantía.

Por el período de: Reemplazamos:

Uno año A partir de la fecha de la compra original	Cualquier parte del Sistema de descalcificación de agua que falle debido a defectos de materiales o en la fabricación. Durante esta garantía limitada de un año , GE también le proporcionará, de manera gratuita , toda la mano de obra y servicios relacionado para reemplazar partes defectuosas.
Tres años A partir de la fecha de la compra original	El monitor electrónico , si el mismo falla debido a defectos de materiales o en la fabricación. Durante este período de tres años de garantía limitada , usted será responsable por cualquier mano de obra o costos de servicio relacionado.
Diez años A partir de la fecha de la compra original	Un gabinete o tanque de salmuera de reposición , si cualquiera de los dos falla debido a defectos de materiales o en la fabricación. Durante este período de diez años de garantía limitada , usted será responsable por cualquier mano de obra o costos de servicio relacionado.

Lo que no está cubierto:

- Viajes de servicio a su casa para enseñarle cómo usar el producto.
- Instalación, entrega o mantenimiento inapropiada.
- Fallas del producto si hay abuso, mal uso, o uso para otros propósitos que los propuestos, o uso para fines comerciales.
- Uso de este producto en los sitios donde el agua es de calidad microbiológicamente dudosa, ni con aguas de calidad desconocida, sin una desinfección adecuada antes o después del sistema; el sistema puede utilizarse con aguas desinfectadas que puedan contener quistes filtrables.
- Reemplazo de los fusibles de la casa o reajustes de los circuitos de interrupción.
- Daño del producto causado por accidentes, incendios, inundaciones o incidentes de fuerza mayor.
- Daño incidental o consecuencial a la propiedad causada por defectos posibles de este electrodoméstico, su instalación o reparación.
- Producto no accesible para facilitar el servicio requerido.

EXCLUSIÓN DE GARANTÍAS IMPLÍCITAS—Su único y exclusivo derecho es la reparación del producto, tal y como se indica en esta Garantía limitada. Cualquier garantía implícita, incluyendo las garantías implícitas de comerciabilidad o adecuación para un fin determinado, están limitadas a un año o el período de tiempo más breve permitido por la ley.

Esta garantía se extiende al comprador original y cualquier comprador posterior de productos comprados para uso residencial dentro de Estados Unidos. Si el producto está situado en un área que no dispone de servicio por parte de un proveedor de servicio autorizado de GE, podría tener que hacerse cargo de los costes de envío o bien podría solicitársele que lleve el producto a un centro de servicio de GE autorizado para realizar la reparación. En Alaska, la garantía excluye el costo de envío o las visitas de servicio a su casa.

Algunos estados no permiten la exclusión o las limitaciones de daños incidentales o consecuenciales. Esta garantía da derechos legales específicos, y usted podría tener otros derechos que variarán de estado a estado. Para saber cuáles son sus derechos legales, consulte a la oficina de asuntos del consumidor local o la oficina del Attorney General en su localidad.

Garante: General Electric Company, Louisville, KY 40225

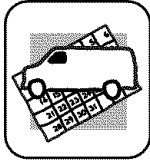
Soporte al Consumidor.



Página Web de GE Appliances

ge.com

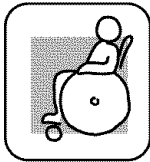
¿Tiene alguna pregunta sobre su electrodoméstico? ¡Pruebe la página Web de GE Appliances 24 horas al día, cualquier día del año! Para mayor conveniencia y servicio más rápido, ya puede descargar los Manuales de los Propietarios o pedir piezas en línea.



Solicite una reparación

ge.com

El servicio de expertos GE está a tan sólo un paso de su puerta. Llame al 800.GE.CARES (800.432.2737) durante horas normales de oficina para solicitar su reparación.



Real Life Design Studio (Estudio de diseño para la vida real)

ge.com

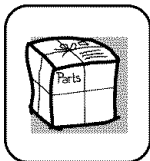
GE apoya el concepto de Diseño Universal—productos, servicios y ambientes que pueden usar gente de todas las edades, tamaños y capacidades. Reconocemos la necesidad de diseñar para una gran gama de habilidades y dificultades físicas y mentales. Para más detalles sobre las aplicaciones de GE Diseño Universal, incluyendo ideas de diseño para la cocina para personas con discapacidades, mire nuestra página Web hoy mismo. Para personas con dificultades auditivas, favor de llamar al 800.TDD.GEAC (800.833.4322).



Garantías ampliadas

ge.com

Compre una garantía ampliada y obtenga detalles sobre descuentos especiales disponibles mientras su garantía está aún activa. Puede comprarla en línea en cualquier momento, o llamar al (800.626.2224) durante horas normales de oficina. GE Consumer Home Services estará aún ahí cuando su garantía termine.



Piezas y accesorios

ge.com

Aquellos individuos con la calificación necesaria para reparar sus propios electrodomésticos pueden pedir que se les manden las piezas o accesorios directamente a sus hogares (aceptamos las tarjetas VISA, MasterCard y Discover). Haga su pedido en línea hoy, 24 horas cada día o llamar por teléfono al 800.626.2002 durante horas normales de oficina.

Las instrucciones descritas en este manual cubren los procedimientos a seguir por cualquier usuario. Cualquier otra reparación debería, por regla general, referirse a personal calificado autorizado. Debe ejercerse precaución ya que las reparaciones incorrectas pueden causar condiciones de funcionamiento inseguras.



Póngase en contacto con nosotros

ge.com

Si no está satisfecho con el servicio que recibe de GE, póngase en contacto con nosotros en nuestra página Web indicando todos los detalles así como su número de teléfono o escribanos a:

General Manager, Customer Relations
GE Appliances, Appliance Park
Louisville, KY 40225



Registre su electrodoméstico

ge.com

¡Registre su nuevo electrodoméstico en línea—cuando usted prefiera! El registrar su producto a tiempo le proporcionará, si surgiera la necesidad, una mejor comunicación y un servicio más rápido bajo los términos de su garantía. También puede enviar su tarjeta de registro pre-impresa que se incluye en el material de embalaje.

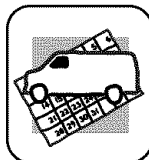
Consumer Support.



GE Appliances Website

ge.com

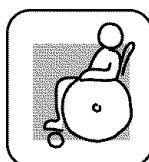
Have a question or need assistance with your appliance? Try the GE Appliances Website 24 hours a day, any day of the year! For greater convenience and faster service, you can now download Owner's Manuals or order parts online.



Schedule Service

ge.com

Expert GE repair service is only one step away from your door. Schedule your service at your convenience by calling 800.GE.CARES (800.432.2737) during normal business hours.



Real Life Design Studio

ge.com

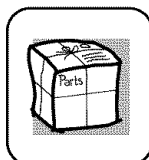
GE supports the Universal Design concept—products, services and environments that can be used by people of all ages, sizes and capabilities. We recognize the need to design for a wide range of physical and mental abilities and impairments. For details of GE's Universal Design applications, including kitchen design ideas for people with disabilities, check out our Website today. For the hearing impaired, please call 800.TDD.GEAC (800.833.4322).



Extended Warranties

ge.com

Purchase a GE extended warranty and learn about special discounts that are available while your warranty is still in effect. You can purchase it on-line anytime, or call 800.626.2224 during normal business hours. GE Consumer Home Services will still be there after your warranty expires.

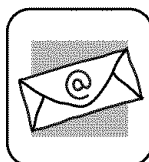


Parts and Accessories

ge.com

Individuals qualified to service their own appliances can have parts or accessories sent directly to their homes (VISA, MasterCard and Discover cards are accepted). Order on-line today, 24 hours every day or by phone at 800.626.2002 during normal business hours.

Instructions contained in this manual cover procedures to be performed by any user. Other servicing generally should be referred to qualified service personnel. Caution must be exercised, since improper servicing may cause unsafe operation.



Contact Us

ge.com

If you are not satisfied with the service you receive from GE, contact us on our Website with all the details including your phone number, or write to:

General Manager, Customer Relations
GE Appliances, Appliance Park
Louisville, KY 40225



Register Your Appliance

ge.com

Register your new appliance on-line—at your convenience! Timely product registration will allow for enhanced communication and prompt service under the terms of your warranty, should the need arise. You may also mail in the pre-printed registration card included in the packing material, or detach and use the form in this Owner's Manual.