

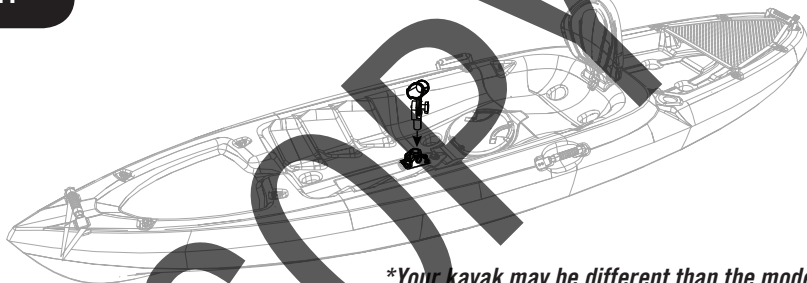
LIFETIME

Rod Holder Assembly Guide

OWNER'S MANUAL

SEC
1.1

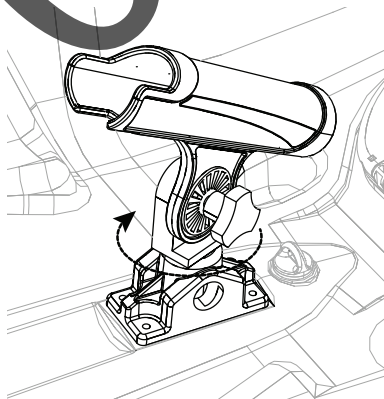
Insert the Rod Holder into the slot in the housing as shown.



**Your kayak may be different than the model shown, but the steps performed still apply.*

SEC
1.2

Rotate the Rod Holder clockwise to lock it in place.



Keep this Identification Number in case you must contact our Customer Service Department.

CLEANING & CARE

Congratulations on your Lifetime® product purchase. By following the instructions below, your new Lifetime product should provide you with years of service and enjoyment.

Cleaning and Care

Lifetime® Kayaks are stain- and solvent-resistant. Most stains can be removed, using a mild soap and a soft-bristled brush. Abrasive cleaning materials may scratch the plastic and are not recommended. Avoid placing a direct heat source on or near surfaces unless using a heat barrier.

Helpful Tips For Your Kayak

- Always store your kayak out of direct sunlight when not in use. Your kayak is manufactured with UV-resistant color, but a kayak stored in direct sunlight will begin to color fade over long periods of time.
- Your new kayak is molded of high-density polyethylene resin. Periodically cleaning with mild soap and water is recommended to keep your kayak looking new.
- Never drag any portion of the kayak over asphalt, rocky, sandy or abrasive surfaces.
- Do not stand or sit on your kayak when out of the water. This can cause damage to the hull.
- During regular use, it is normal to find small amounts of water inside the kayak. Carefully unscrew the black drain plug and tilt the board to let the water drain out. Secure the drain plug when finished.
- If your kayak has been exposed to hot sunlight, it is recommended to splash water on the hull to cool the hot surface before it comes in direct contact with your skin.

****U.S. and Canada customers ONLY****

IF ASSISTANCE IS NEEDED,

DO NOT CONTACT THE STORE!

CALL OUR CUSTOMER SERVICE DEPARTMENT at 1 (800) 225-3865

HOURS: 7:00 a.m. to 5:00 p.m. Monday through Friday (Mountain Standard Time)

****Call, or visit our Web site for Saturday hours****

****For customers outside the U.S. or Canada, please contact the store for assistance.****